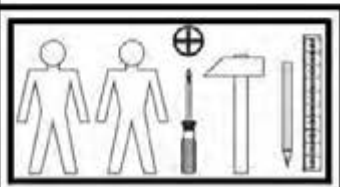
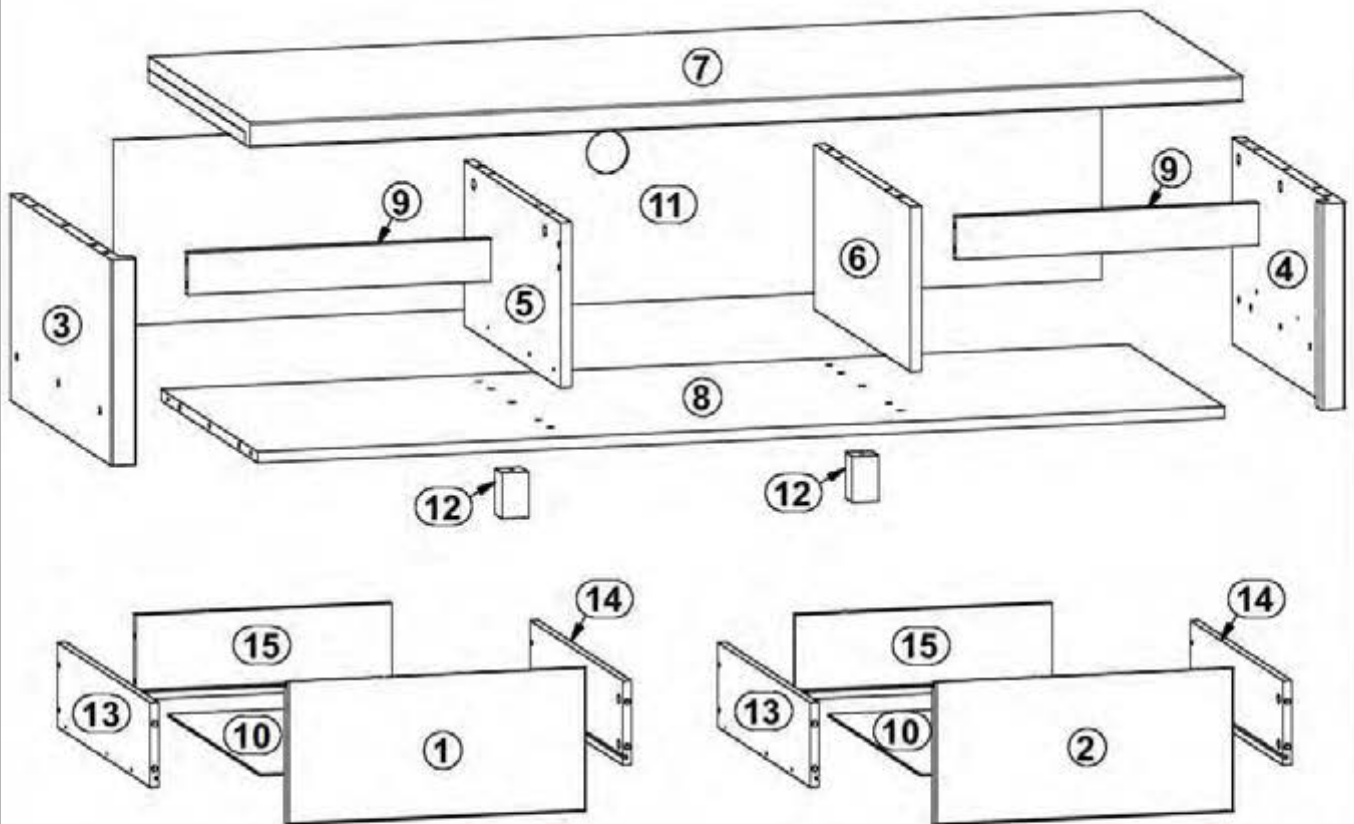
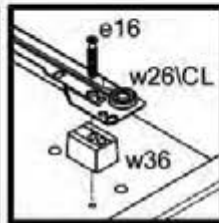
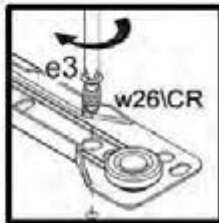
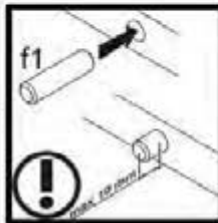
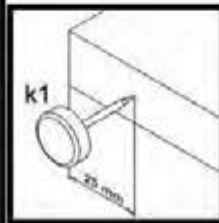
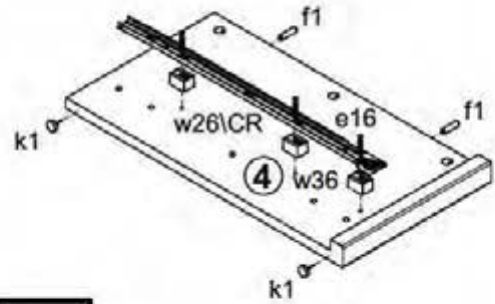
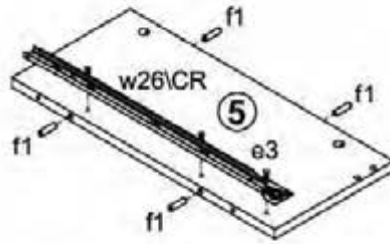
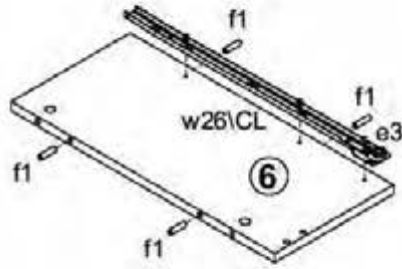
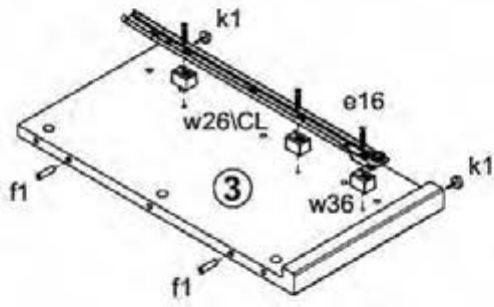


A	B	C	D	
1	S128 0014	432	204	2/2
2	S128 0015	432	204	2/2
3	S128 124	292	546	1/2
4	S128 125	292	546	1/2
5	S128 126	234	519	1/2
6	S128 127	234	519	1/2
7	S128 208	1432	549	1/2
8	S128 314	1395	520	1/2
9	S128 408	437	60	1/2
10	S128 9915	372	498	1/2
11	S128 916	263	1426	1/2
12	ZN1 501	65	38	1/2
13	BP 501	500	120	1/2
14	BP 502	500	120	1/2
15	ZP 5507	362	120	1/2

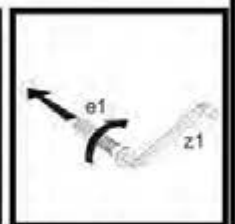
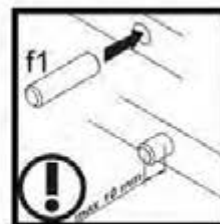
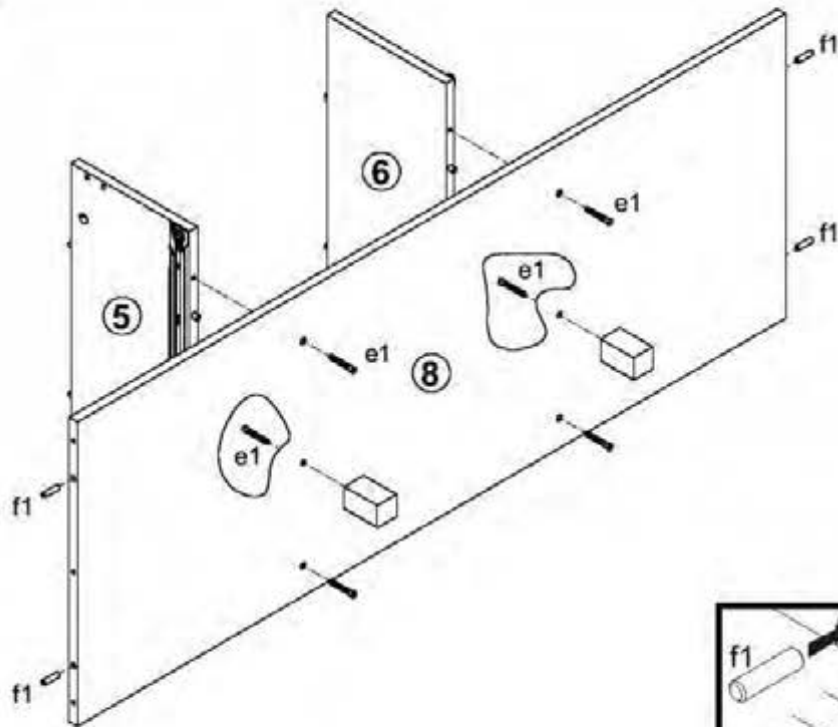


12x 8x30 mm e1	6x 80x30 mm e16	12x 65x9 mm e19	6x 90x17 mm e3	24x 86x37 mm f1	8x 40.5x45 mm f25	4x k1	40x l1	18x 41.5x15 mm 100 r1
18x r42	6x s1	2x 500 mm w26\CL	2x 500 mm w26\CR	2x 500 mm w26\DL	2x 500 mm w26\DR	6x w36	1x z1	

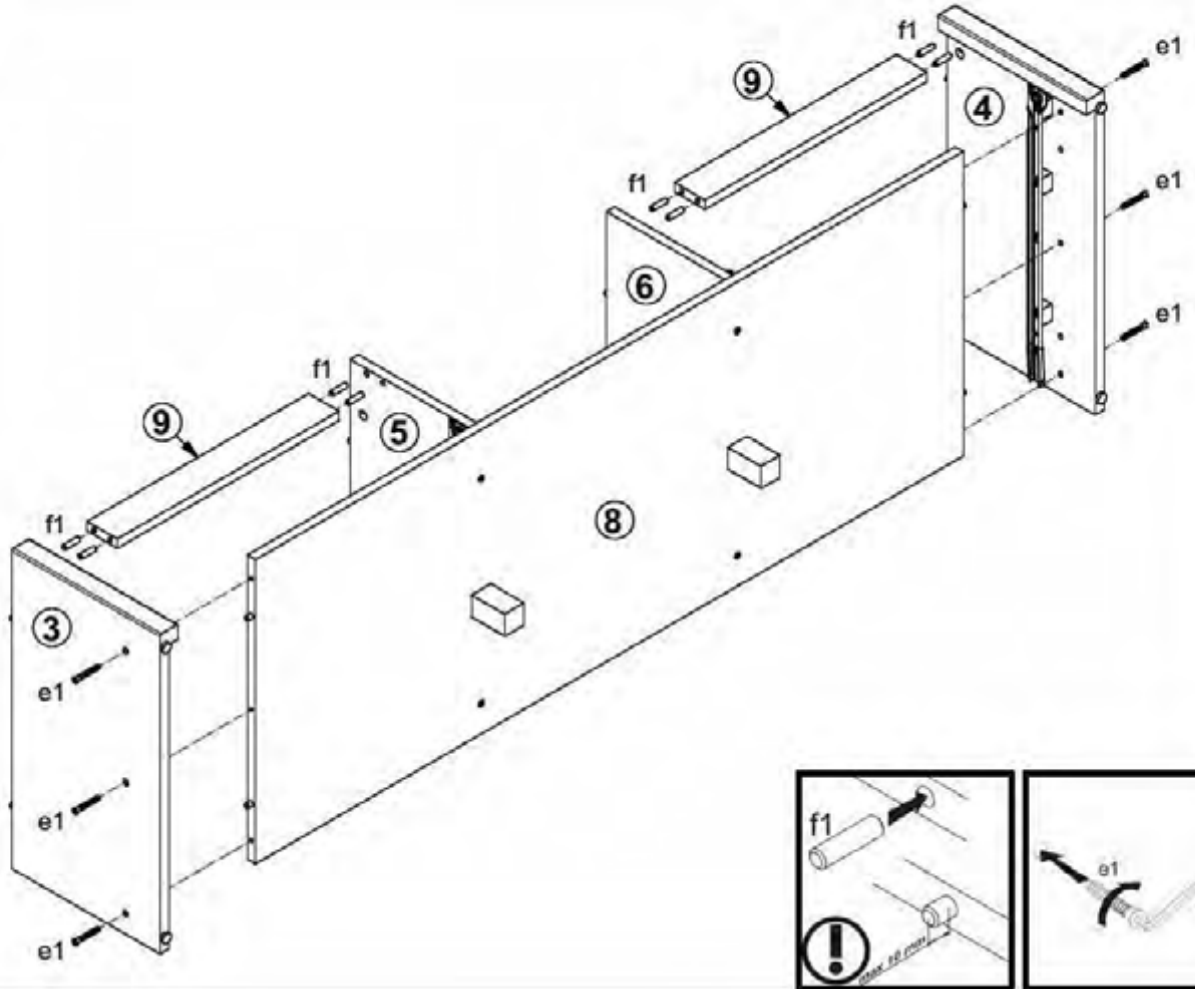
1



2



3



4

