

A

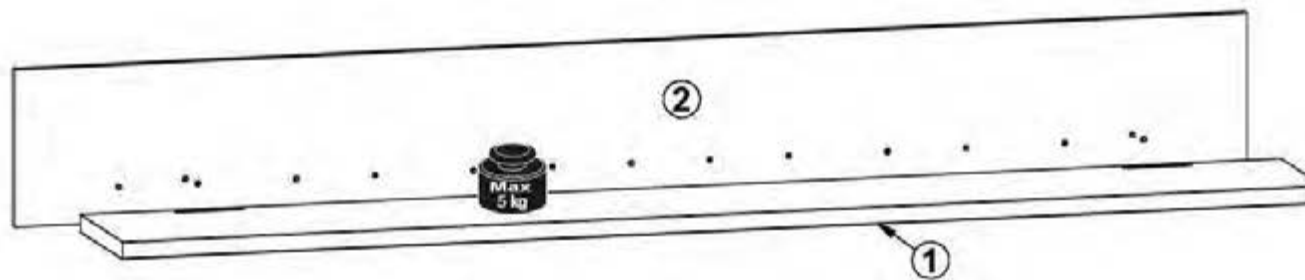
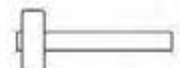
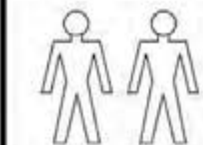
S228-P/3/20

GERMAN

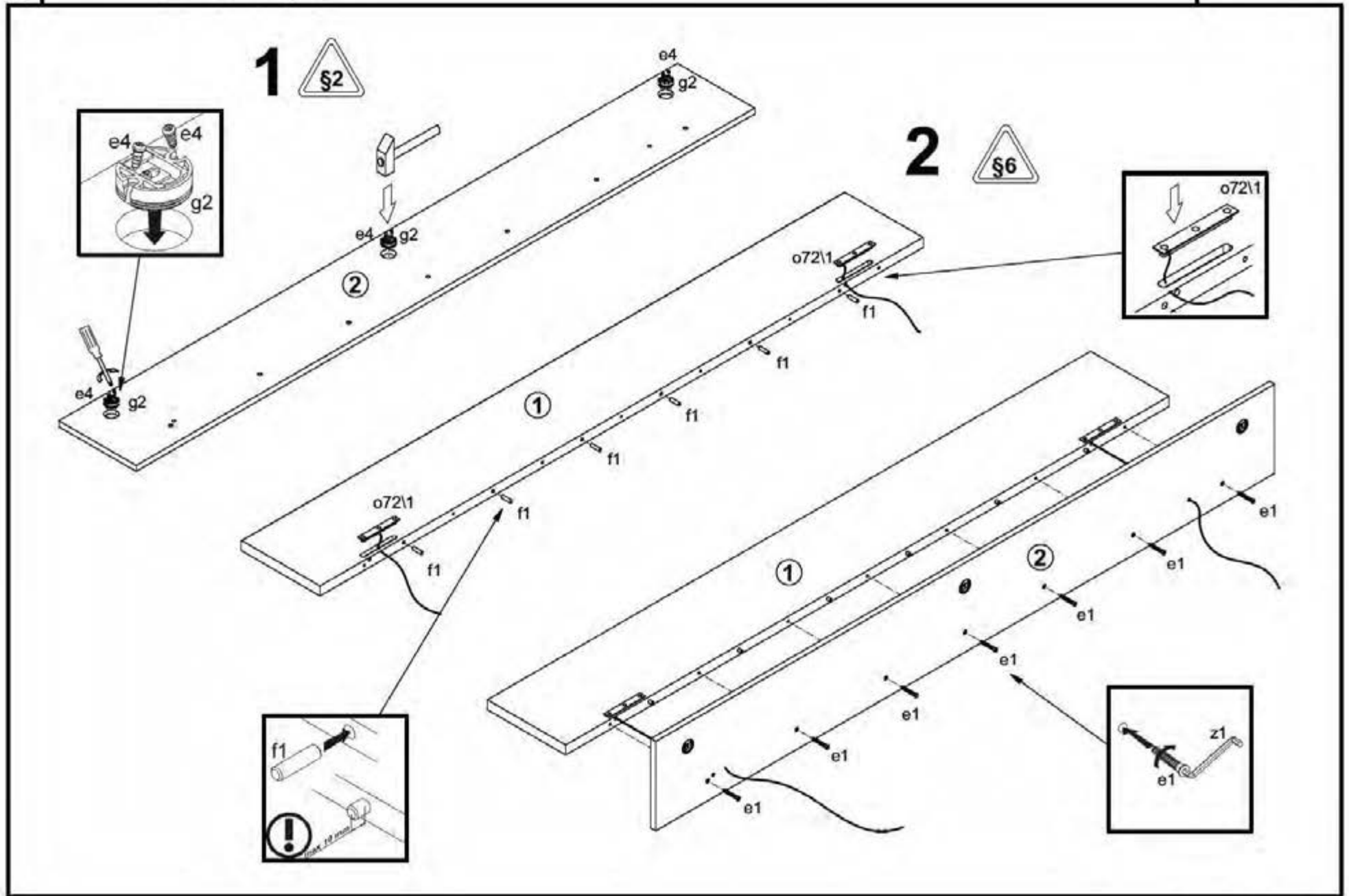
1 / 4



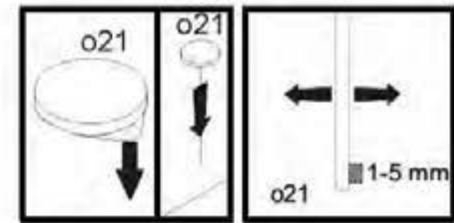
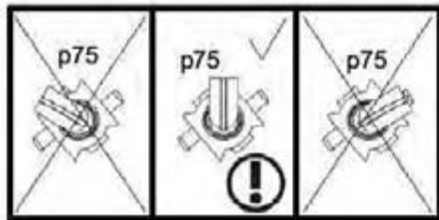
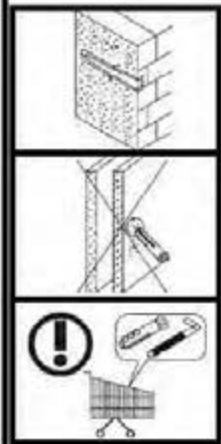
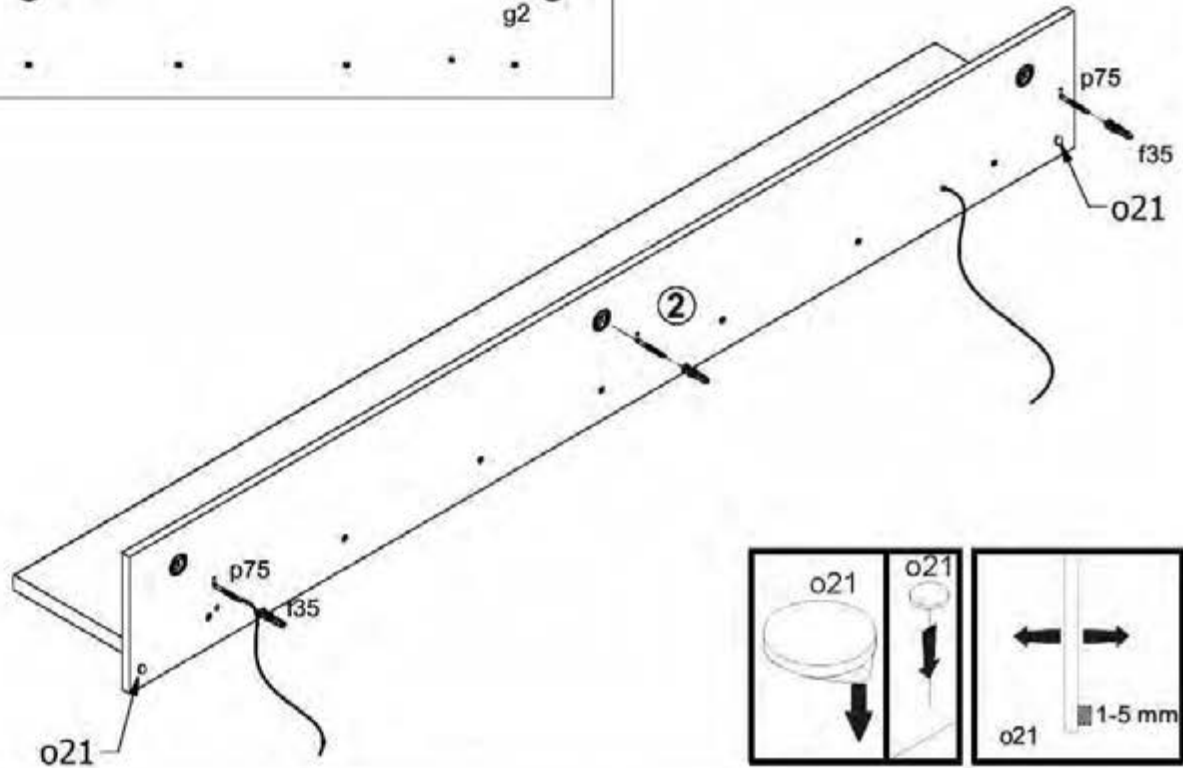
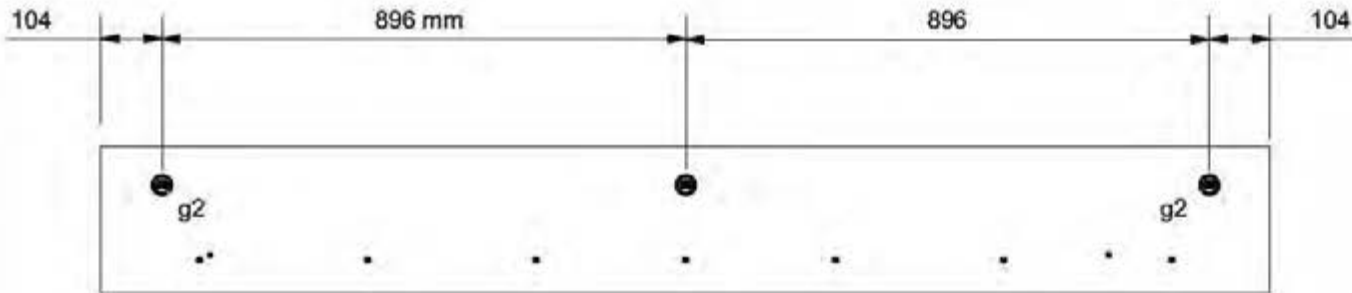
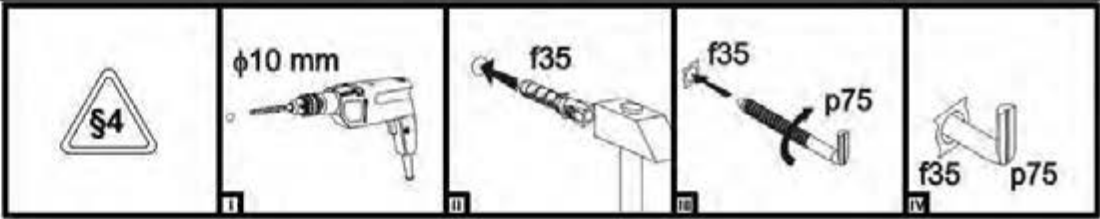
A	B	C (mm)		D
1	S228 3321	1950	254	1/1
2	S228 4406	2000	250	1/1



P28-S228-P 3 20-M IN16-A-KÖR01



3



4

