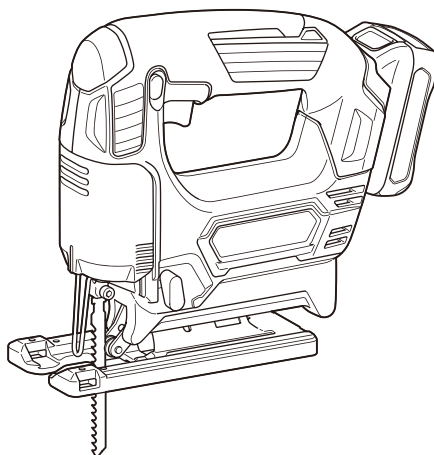


EN	Cordless Jig Saw	INSTRUCTION MANUAL	5
SV	Batteridreven sticksåg	BRUKSANVISNING	11
NO	Batteridrevet stikksag	BRUKSANVISNING	17
FI	Langaton lehtisaha	KÄYTTÖOHJE	23
LV	Bezvada figūrzāģis	LIETOŠANAS INSTRUKCIJA	29
LT	Belaidis metalo pjūklelis	NAUDOJIMO INSTRUKCIJA	35
ET	Juhtmeta tikksaag	KASUTUSJUHEND	41
RU	Аккумуляторный лобзик	РУКОВОДСТВО ПО ЭКСПЛУАТАЦИИ	47

JV101D



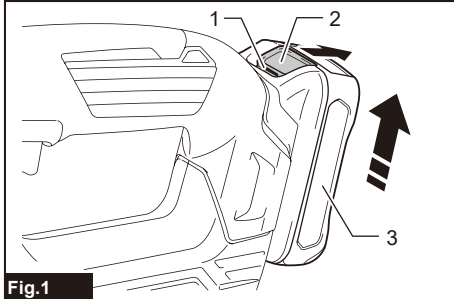


Fig.1

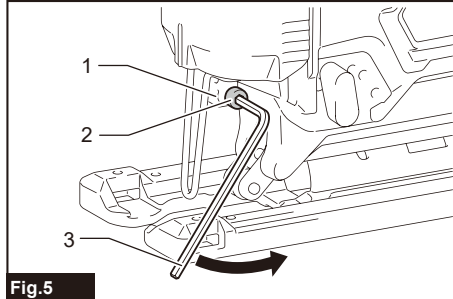


Fig.5

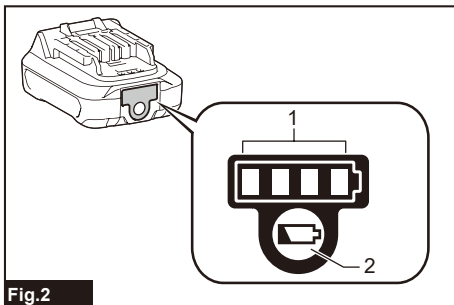


Fig.2

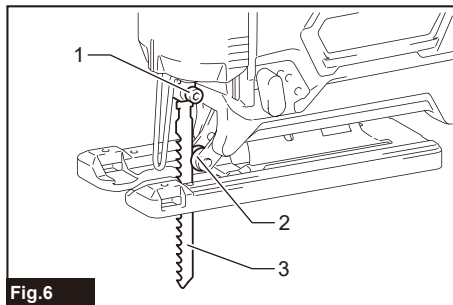


Fig.6

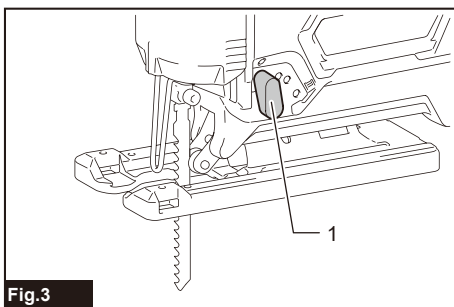


Fig.3

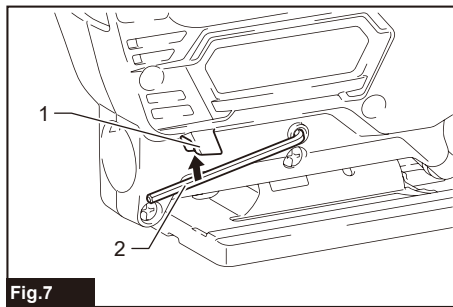


Fig.7

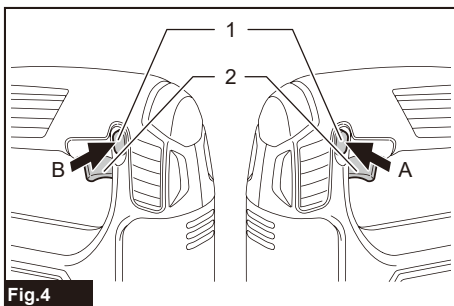


Fig.4

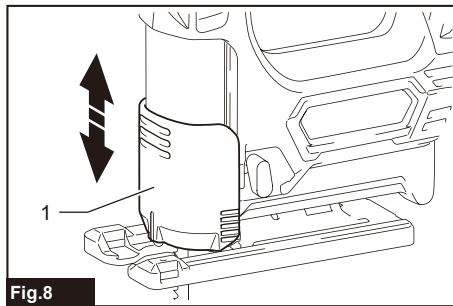


Fig.8

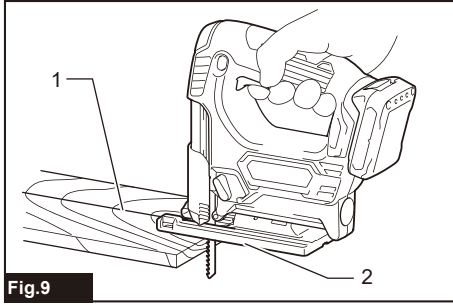


Fig.9

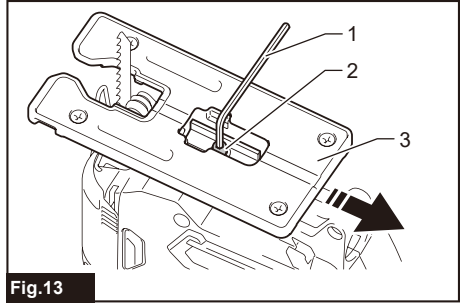


Fig.13

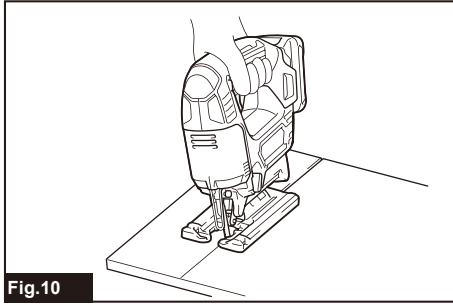


Fig.10

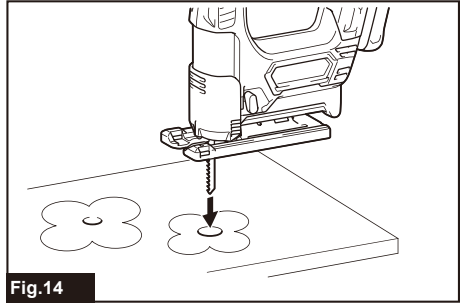


Fig.14

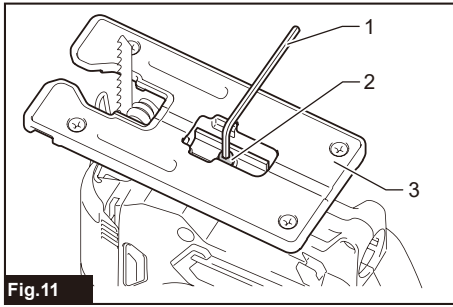


Fig.11

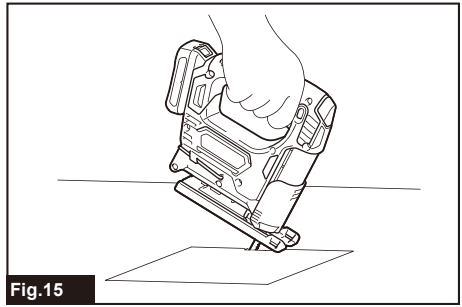


Fig.15

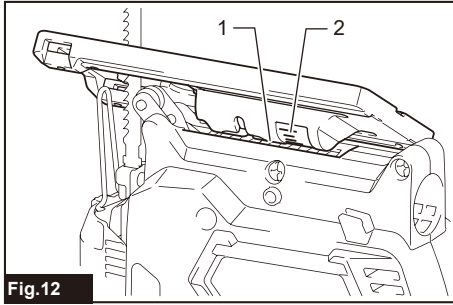


Fig.12

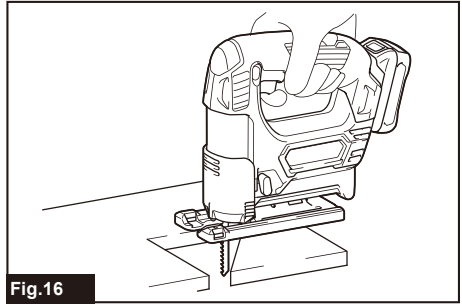


Fig.16

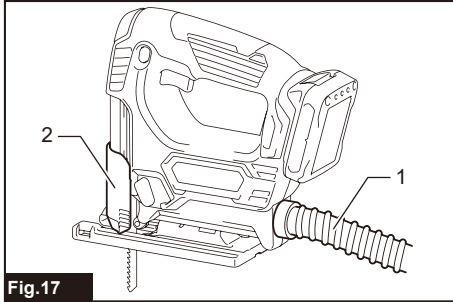


Fig.17

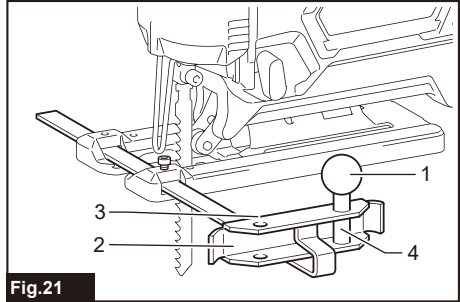


Fig.21

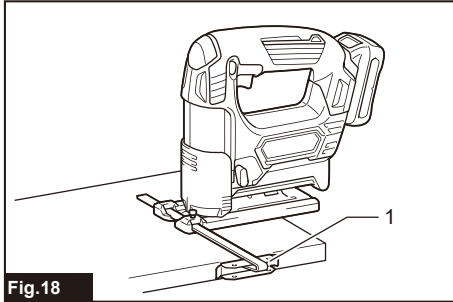


Fig.18

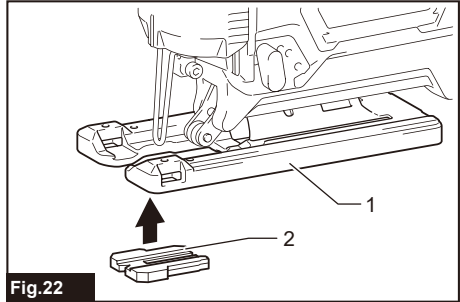


Fig.22

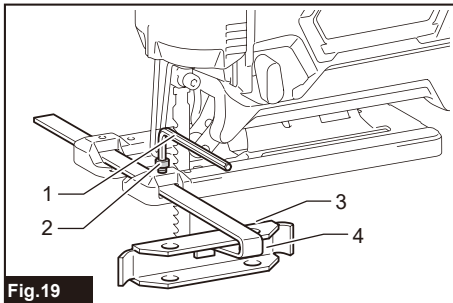


Fig.19

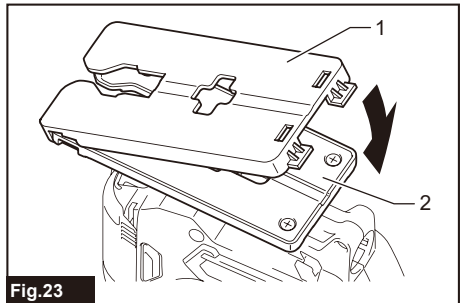


Fig.23

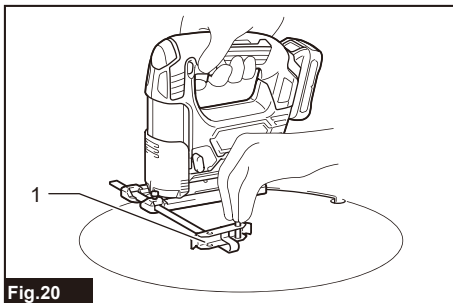


Fig.20

SPECIFICATIONS

Model:		JV101D	
Length of stroke		18 mm	
Strokes per minute		0 - 2,900 min ⁻¹	
Blade type		B type	
Max. cutting capacities	Wood	65 mm	
	Mild steel	2 mm	
	Aluminum	4 mm	
Rated voltage		D.C. 10.8 V	
Battery cartridge		BL1015, BL1020B	BL1040B
Overall length		232 mm	250 mm
Net weight		1.7 kg	1.9 kg

- Due to our continuing program of research and development, the specifications herein are subject to change without notice.
- Specifications and battery cartridge may differ from country to country.
- Weight, with battery cartridge, according to EPTA-Procedure 01/2003

Intended use

The tool is intended for the sawing of wood, plastic and metal materials. As a result of the extensive accessory and saw blade program, the tool can be used for many purposes and is very well suited for curved or circular cuts.

Noise

The typical A-weighted noise level determined according to EN60745:

Sound pressure level (L_{pA}): 80 dB(A)

Sound power level (L_{WA}): 91 dB (A)

Uncertainty (K): 3 dB(A)

⚠ WARNING: Wear ear protection.

Vibration

The vibration total value (tri-axial vector sum) determined according to EN60745:

Work mode: cutting boards

Vibration emission ($a_{h,B}$): 7.0 m/s²

Uncertainty (K): 1.5 m/s²

Work mode: cutting sheet metal

Vibration emission ($a_{h,M}$): 5.5 m/s²

Uncertainty (K): 1.5 m/s²

NOTE: The declared vibration emission value has been measured in accordance with the standard test method and may be used for comparing one tool with another.

NOTE: The declared vibration emission value may also be used in a preliminary assessment of exposure.

⚠ WARNING: The vibration emission during actual use of the power tool can differ from the declared emission value depending on the ways in which the tool is used.

⚠ WARNING: Be sure to identify safety measures to protect the operator that are based on an estimation of exposure in the actual conditions of use (taking account of all parts of the operating cycle such as the times when the tool is switched off and when it is running idle in addition to the trigger time).

EC Declaration of Conformity

For European countries only

Makita declares that the following Machine(s):

Designation of Machine: Cordless Jig Saw

Model No./ Type: JV101D

Conforms to the following European Directives:

2006/42/EC

They are manufactured in accordance with the following

standard or standardized documents: EN60745

The technical file in accordance with 2006/42/EC is available from:

Makita, Jan-Baptist Vinkstraat 2, 3070, Belgium

23.9.2015



Yasushi Fukaya

Director

Makita, Jan-Baptist Vinkstraat 2, 3070, Belgium

General power tool safety warnings

⚠️WARNING: Read all safety warnings and all instructions. Failure to follow the warnings and instructions may result in electric shock, fire and/or serious injury.

Save all warnings and instructions for future reference.

The term "power tool" in the warnings refers to your mains-operated (corded) power tool or battery-operated (cordless) power tool.

Cordless jig saw safety warnings

1. Hold power tool by insulated gripping surfaces, when performing an operation where the cutting accessory may contact hidden wiring. Cutting accessory contacting a "live" wire may make exposed metal parts of the power tool "live" and could give the operator an electric shock.
2. Use clamps or another practical way to secure and support the workpiece to a stable platform. Holding the work by hand or against your body leaves it unstable and may lead to loss of control.
3. Always use safety glasses or goggles. Ordinary eye or sun glasses are NOT safety glasses.
4. Avoid cutting nails. Inspect workpiece for any nails and remove them before operation.
5. Do not cut oversized workpiece.
6. Check for the proper clearance beyond the workpiece before cutting so that the blade will not strike the floor, workbench, etc.
7. Hold the tool firmly.
8. Make sure the blade is not contacting the workpiece before the switch is turned on.
9. Keep hands away from moving parts.
10. Do not leave the tool running. Operate the tool only when hand-held.
11. Always switch off and wait for the blade to come to a complete stop before removing the blade from the workpiece.
12. Do not touch the blade or the workpiece immediately after operation; they may be extremely hot and could burn your skin.
13. Do not operate the tool at no-load unnecessarily.
14. Some material contains chemicals which may be toxic. Take caution to prevent dust inhalation and skin contact. Follow material supplier safety data.
15. Always use the correct dust mask/respirator for the material and application you are working with.

SAVE THESE INSTRUCTIONS.

⚠️WARNING: DO NOT let comfort or familiarity with product (gained from repeated use) replace strict adherence to safety rules for the subject product. MISUSE or failure to follow the safety rules stated in this instruction manual may cause serious personal injury.

Important safety instructions for battery cartridge

1. Before using battery cartridge, read all instructions and cautionary markings on (1) battery charger, (2) battery, and (3) product using battery.
2. Do not disassemble battery cartridge.
3. If operating time has become excessively shorter, stop operating immediately. It may result in a risk of overheating, possible burns and even an explosion.
4. If electrolyte gets into your eyes, rinse them out with clear water and seek medical attention right away. It may result in loss of your eyesight.
5. Do not short the battery cartridge:
 - (1) Do not touch the terminals with any conductive material.
 - (2) Avoid storing battery cartridge in a container with other metal objects such as nails, coins, etc.
 - (3) Do not expose battery cartridge to water or rain.

A battery short can cause a large current flow, overheating, possible burns and even a breakdown.

6. Do not store the tool and battery cartridge in locations where the temperature may reach or exceed 50 °C (122 °F).
7. Do not incinerate the battery cartridge even if it is severely damaged or is completely worn out. The battery cartridge can explode in a fire.
8. Be careful not to drop or strike battery.
9. Do not use a damaged battery.
10. The contained lithium-ion batteries are subject to the Dangerous Goods Legislation requirements.

For commercial transports e.g. by third parties, forwarding agents, special requirement on packaging and labeling must be observed. For preparation of the item being shipped, consulting an expert for hazardous material is required. Please also observe possibly more detailed national regulations. Tape or mask off open contacts and pack up the battery in such a manner that it cannot move around in the packaging.
11. Follow your local regulations relating to disposal of battery.

SAVE THESE INSTRUCTIONS.

⚠️CAUTION: Only use genuine Makita batteries. Use of non-genuine Makita batteries, or batteries that have been altered, may result in the battery bursting causing fires, personal injury and damage. It will also void the Makita warranty for the Makita tool and charger.

Tips for maintaining maximum battery life

1. Charge the battery cartridge before completely discharged. Always stop tool operation and charge the battery cartridge when you notice less tool power.
2. Never recharge a fully charged battery cartridge. Overcharging shortens the battery service life.
3. Charge the battery cartridge with room temperature at 10 °C - 40 °C (50 °F - 104 °F). Let a hot battery cartridge cool down before charging it.

FUNCTIONAL DESCRIPTION

CAUTION: Always be sure that the tool is switched off and the battery cartridge is removed before adjusting or checking function on the tool.

Installing or removing battery cartridge

CAUTION: Always switch off the tool before installing or removing of the battery cartridge.

CAUTION: Hold the tool and the battery cartridge firmly when installing or removing battery cartridge. Failure to hold the tool and the battery cartridge firmly may cause them to slip off your hands and result in damage to the tool and battery cartridge and a personal injury.

► Fig.1: 1. Red indicator 2. Button 3. Battery cartridge

To remove the battery cartridge, slide it from the tool while sliding the button on the front of the cartridge.

To install the battery cartridge, align the tongue on the battery cartridge with the groove in the housing and slip it into place. Insert it all the way until it locks in place with a little click. If you can see the red indicator on the upper side of the button, it is not locked completely.

CAUTION: Always install the battery cartridge fully until the red indicator cannot be seen. If not, it may accidentally fall out of the tool, causing injury to you or someone around you.

CAUTION: Do not install the battery cartridge forcibly. If the cartridge does not slide in easily, it is not being inserted correctly.

Battery protection system

The tool is equipped with a battery protection system. This system automatically cuts off power to the motor to extend battery life.

The tool will automatically stop during operation if the tool and/or battery are placed under one of the following conditions:

Overloaded:

The tool is operated in a manner that causes it to draw an abnormally high current.

In this situation, turn the tool off and stop the application that caused the tool to become overloaded. Then turn the tool on to restart.

If the tool does not start, the battery is overheated. In this situation, let the battery cool before turning the tool on again.

Low battery voltage:

The remaining battery capacity is too low and the tool will not operate. If you turn the tool on, the motor runs again but stops soon. In this situation, remove and recharge the battery.

Indicating the remaining battery capacity

Only for battery cartridges with "B" at the end of the model number

► Fig.2: 1. Indicator lamps 2. Check button

Press the check button on the battery cartridge to indicate the remaining battery capacity. The indicator lamps light up for few seconds.

Indicator lamps		Remaining capacity
Lighted	Off	
■ ■ ■ ■	□	75% to 100%
■ ■ ■ □	□	50% to 75%
■ ■ □ □	□	25% to 50%
■ □ □ □	□	0% to 25%

NOTE: Depending on the conditions of use and the ambient temperature, the indication may differ slightly from the actual capacity.

Selecting the cutting action

► Fig.3: 1. Cutting action changing lever

This tool can be operated with an orbital or a straight line (up and down) cutting action. The orbital cutting action thrusts the jig saw blade forward on the cutting stroke and greatly increases cutting speed.

To change the cutting action, just turn the cutting action changing lever to the desired cutting action position. Refer to the table to select the appropriate cutting action.

Position	Cutting action	Applications
0	Straight line cutting action	For cutting mild steel, stainless steel and plastics.
		For clean cuts in wood and plywood.
I	Small orbit cutting action	For cutting mild steel, aluminum and hard wood.
II	Medium orbit cutting action	For cutting wood and plywood.
		For fast cutting in aluminum and mild steel.
III	Large orbit cutting action	For fast cutting in wood and plywood.

Switch action

CAUTION: Before installing the battery cartridge into the tool, always check to see that the switch trigger actuates properly and returns to the "OFF" position when released.

CAUTION: When not operating the tool, depress the lock-off button from A side to lock the switch trigger in the OFF position.

► Fig.4: 1. Lock-off button 2. Switch trigger

To prevent the switch trigger from accidentally pulled, the lock-off button is provided. To start the tool, depress the lock-off button from B side and pull the switch trigger.

Tool speed is increased by increasing pressure on the switch trigger. Release the switch trigger to stop. After use, always press in the lock-off button from A side.

ASSEMBLY

CAUTION: Always be sure that the tool is switched off and the battery cartridge is removed before carrying out any work on the tool.

Installing or removing jig saw blade

CAUTION: Always clean out all chips or foreign matter adhering to the jig saw blade and/or blade holder. Failure to do so may cause insufficient tightening of the blade, resulting in a serious personal injury.

CAUTION: Do not touch the jig saw blade or the workpiece immediately after operation. They may be extremely hot and could burn your skin.

CAUTION: Always secure the jig saw blade firmly. Insufficient tightening of the blade may cause blade breakage or serious personal injury.

CAUTION: Use only B type jig saw blades. Using blades other than B type causes insufficient tightening of the blade, resulting in a serious personal injury.

To install the jig saw blade, loosen the bolt counterclockwise on the jig saw blade holder with the hex wrench.

► Fig.5: 1. Jig saw blade holder 2. Bolt 3. Hex wrench

With the blade teeth facing forward, insert the jig saw blade into the jig saw blade holder as far as it will go. Make sure that the back edge of the blade fits into the roller. Then tighten the bolt clockwise to secure the blade.
► Fig.6: 1. Bolt 2. Roller 3. Jig saw blade

To remove the jig saw blade, follow the installation procedure in reverse.

NOTE: Occasionally lubricate the roller.

Hex wrench storage

► Fig.7: 1. Hook 2. Hex wrench

When not in use, store the hex wrench as shown in the figure to keep it from being lost.

First, insert the hex wrench into the hole. Then push it into the hook until it locked.

Dust cover

CAUTION: Always wear safety goggles even when operating the tool with the dust cover lowered.

Lower the dust cover to prevent chips from flying. However, when making bevel cuts, raise it all the way.

► Fig.8: 1. Dust cover

OPERATION

CAUTION: Always hold the base flush with the workpiece. Failure to do so may cause jig saw blade breakage, resulting in a serious injury.

CAUTION: Advance the tool very slowly when cutting curves or scrolling. Forcing the tool may cause a slanted cutting surface and jig saw blade breakage.

► Fig.9: 1. Cutting line 2. Base

Turn the tool on without the jig saw blade making any contact and wait until the blade attains full speed. Then rest the base flat on the workpiece and gently move the tool forward along the previously marked cutting line.

Bevel cutting

CAUTION: Always be sure that the tool is switched off and the battery cartridge is removed before tilting the base.

CAUTION: Raise the dust cover all the way before making bevel cuts.

With the base tilted, you can make bevel cuts at any angle between 0° and 45° (left or right).

► Fig.10

Loosen the bolt on the back of the base with the hex wrench. Move the base so that the bolt is positioned in the center of the cross-shaped slot in the base.

► Fig.11: 1. Hex wrench 2. Bolt 3. Base

Tilt the base until the desired bevel angle is obtained. The edge of the motor housing indicates the bevel angle by graduations. Then tighten the bolt to secure the base.

► Fig.12: 1. Edge 2. Graduation

Front flush cuts

► **Fig.13:** 1. Hex wrench 2. Bolt 3. Base

Loosen the bolt on the back of the base with the hex wrench and slide the base all the way back. Then tighten the bolt to secure the base.

Cutouts

Cutouts can be made with either of two methods "Boring a starting hole" or "Plunge cutting".

Boring a starting hole

► **Fig.14**

For internal cutouts without a lead-in cut from an edge, pre-drill a starting hole 12 mm or more in diameter. Insert the jig saw blade into this hole to start your cut.

Plunge cutting

► **Fig.15**

You need not bore a starting hole or make a lead-in cut if you carefully do as follows.

1. Tilt the tool up on the front edge of the base with the jig saw blade point positioned just above the workpiece surface.
2. Apply pressure to the tool so that the front edge of the base will not move when you switch on the tool and gently lower the back end of the tool slowly.
3. As the jig saw blade pierces the workpiece, slowly lower the base of the tool down onto the workpiece surface.
4. Complete the cut in the normal manner.

Finishing edges

► **Fig.16**

To trim edges or make dimensional adjustments, run the jig saw blade lightly along the cut edges.

Metal cutting

Always use a suitable coolant (cutting oil) when cutting metal. Failure to do so will cause significant jig saw blade wear. The underside of the workpiece can be greased instead of using a coolant.

Dust extraction

► **Fig.17:** 1. Hose (optional accessory) 2. Dust cover

Clean cutting operations can be performed by connecting this tool to a Makita vacuum cleaner.

Insert the hose of the vacuum cleaner into the hole at the rear of the tool.

Lower the dust cover before operation.

NOTE: Dust extraction cannot be performed when making bevel cuts.

Rip fence

Optional accessory

CAUTION: Always be sure that the tool is switched off and the battery cartridge is removed before installing or removing accessories.

Straight cuts

When repeatedly cutting widths of 160 mm or less, use of the rip fence will assure fast, clean, straight cuts.

► **Fig.18:** 1. Rip fence (Guide rule)

To install, insert the rip fence into the rectangular hole on the side of the base with the fence guide facing down. Slide the rip fence to the desired cutting width position, then tighten the bolt to secure it.

► **Fig.19:** 1. Hex wrench 2. Bolt 3. Fence guide 4. Rip fence (Guide rule)

Circular cuts

When cutting circles or arcs of 170 mm or less in radius, install the rip fence as follows.

► **Fig.20:** 1. Rip fence (Guide rule)

1. Insert the rip fence into the rectangular hole on the side of the base with the fence guide facing up.
2. Insert the circular guide pin through either of the two holes on the fence guide. Screw the threaded knob onto the pin to secure the pin.

► **Fig.21:** 1. Threaded knob 2. Fence guide 3. Rip fence (Guide rule) 4. Pin

3. Slide the rip fence to the desired cutting radius, and tighten the bolt to secure it in place. Then move the base all the way forward.

NOTE: Always use jig saw blades No. B-17, B-18, B-26 or B-27 when cutting circles or arcs.

Anti-splintering device

Optional accessory, only for aluminum base model

CAUTION: The anti-splintering device cannot be used when making bevel cuts.

► **Fig.22:** 1. Base 2. Anti-splintering device

For splinter-free cuts, the anti-splintering device can be used. To install the anti-splintering device, move the tool base all the way forward and fit it from the back of tool base.

When you use the cover plate, install the anti-splintering device onto the cover plate.

Cover plate

Optional accessory, only for aluminum base model

► **Fig.23:** 1. Cover plate 2. Base

Use the cover plate when cutting decorative veneers, plastics, etc. It protects sensitive or delicate surfaces from damage. Fit it on the back of the tool base.

MAINTENANCE

⚠ CAUTION: Always be sure that the tool is switched off and the battery cartridge is removed before attempting to perform inspection or maintenance.

NOTICE: Never use gasoline, benzine, thinner, alcohol or the like. Discoloration, deformation or cracks may result.

To maintain product SAFETY and RELIABILITY, repairs, any other maintenance or adjustment should be performed by Makita Authorized or Factory Service Centers, always using Makita replacement parts.

OPTIONAL ACCESSORIES

⚠ CAUTION: These accessories or attachments are recommended for use with your Makita tool specified in this manual. The use of any other accessories or attachments might present a risk of injury to persons. Only use accessory or attachment for its stated purpose.

If you need any assistance for more details regarding these accessories, ask your local Makita Service Center.

- Jig saw blades
- Hex wrench 3
- Rip fence (guide rule) set
- Anti-splintering device
- Hose (For vacuum cleaner)
- Cover plate
- Makita genuine battery and charger

NOTE: Some items in the list may be included in the tool package as standard accessories. They may differ from country to country.

SPECIFIKATIONER

Modell:	JV101D	
Slaglängd	18 mm	
Slag per minut	0–2 900 min ⁻¹	
Typ av sågblad	Typ B	
Max. kapningskapacitet	Trä	65 mm
	Mjukt stål	2 mm
	Aluminium	4 mm
Märkspänning	10,8 V likström	
Batterikassett	BL1015, BL1020B	BL1040B
Total längd	232 mm	250 mm
Nettovikt	1,7 kg	1,9 kg

- På grund av vårt pågående program för forskning och utveckling kan dessa specifikationer ändras utan föregående meddelande.
- Specifikationer och batterikassett kan variera mellan olika länder.
- Vikt, med batterikassett, i enlighet med EPTA-procedure 01/2003

Avsedd användning

Verktyget är avsett för sågning i trä, plast och metallmaterial. Tack vare ett stort urval tillbehör och sågblad kan verktyget användas för många ändamål, och är i synnerhet väl lämpat för cirkel- eller bågsågning.

Buller

Den normala bullernivån för A-belastning är bestämd enligt EN60745:

Ljudtrycksnivå (L_{pA}): 80 dB (A)

Ljudeffektnivå (L_{WA}): 91 dB (A)

Måttolerans (K): 3 dB (A)

⚠️ VARNING: Använd hörselskydd.

Vibration

Det totala vibrationsvärdet (treaxlad vektorsumma) bestämt enligt EN60745:

Arbetsläge: skivsågning

Vibrationsemission ($a_{h,B}$): 7,0 m/s²

Måttolerans (K): 1,5 m/s²

Arbetsläge: sågning av metallplåt

Vibrationsemission ($a_{h,M}$): 5,5 m/s²

Måttolerans (K): 1,5 m/s²

OBS: Det deklarerade vibrationsemissionsvärdet har uppmätts i enlighet med standardtestmetoden och kan användas för att jämföra en maskin med en annan.

OBS: Det deklarerade vibrationsemissionsvärdet kan också användas i en preliminär bedömning av exponering för vibration.

⚠️ VARNING: Vibrationsemissionen under faktisk användning av maskinen kan skilja sig från det deklarerade emissionsvärdet, beroende på hur maskinen används.

⚠️ VARNING: Var noga med att identifiera säkerhetsåtgärder för att skydda användaren, vilka är grundade på en uppskattning av graden av exponering för vibrationer under de faktiska användningsförhållandena, (ta, förutom avtryckartiden, med alla delar av användarcykeln i beräkningen, som till exempel tiden då maskinen är avstängd och när den går på tomgång).

EU-konformitetsdeklaration

Gäller endast inom EU

Makita försäkrar att följande maskiner:

Maskinbeteckning: Batteridriven sticksåg

Modellnr./-typ: JV101D

Följer följande EU-direktiv: 2006/42/EC

De är tillverkade i enlighet med följande standard eller standardiseringsdokument: EN60745

Den tekniska dokumentationen i enlighet med 2006/42/EC finns tillgänglig från:

Makita, Jan-Baptist Vinkstraat 2, 3070, Belgium
23.9.2015



Yasushi Fukaya

Direktör

Makita, Jan-Baptist Vinkstraat 2, 3070, Belgium

Allmänna säkerhetsvarningar för maskiner

⚠️ VARNING: Läs igenom alla säkerhetsvarningar och anvisningar. Underlåtenhet att följa varningar och instruktioner kan leda till elstöt, brand och/eller allvarliga personskador.

Spara alla varningar och instruktioner för framtida referens.

Termen "maskin" som anges i varningarna hänvisar till din eldrivna maskin (sladdansluten) eller batteridrivna maskin (sladdlös).

Säkerhetsvarningar för batteridrivna sticksåg

1. Håll maskinen i de isolerade handtagen om det finns risk för att sågverket kan komma i kontakt med en dold elkabel. Om sågverket kommer i kontakt med en strömförande ledning blir maskinens blottlagda metalldelar strömförande och kan ge användaren en elektrisk stöt.
2. Använd tvingar eller liknande för att säkra och stödja arbetsstycket på ett stabilt underlag. Att hålla arbetsstycket i händerna eller mot kroppen ger inte tillräckligt stöd, och du riskerar då att förlora kontrollen.
3. Använd alltid skyddsglasögon. Vanliga glasögon och solglasögon är INTE skyddsglasögon.
4. Undvik att säga i spik. Ta bort alla spikar i arbetsstycket innan du sågar.
5. Säg inte för stora arbetsstycken.
6. Kontrollera att det finns tillräckligt med fritt utrymme under arbetsstycket innan arbetet påbörjas så att sågbladet inte slår emot golvet, arbetsbänken osv.
7. Håll verktyget i ett fast grepp.
8. Se till att sågbladet inte är i kontakt med arbetsstycket innan du trycker på avtryckaren.
9. Håll händerna borta från rörliga delar.
10. Lämna inte maskinen igång. Använd endast maskinen när du håller den i händerna.
11. Stäng av maskinen och vänta tills bladet stannat helt innan bladet avlägsnas från arbetsstycket.
12. Rör inte vid sågbladet eller arbetsstycket omedelbart efter avslutat arbete eftersom de kan vara mycket heta och ge brännskador.
13. Använd inte maskinen obelastad i onödan.
14. Vissa material kan innehålla giftiga kemikalier. Se till att du inte andas in damm eller får det på huden. Följ anvisningarna i leverantörens materialsäkerhetsblad.
15. Använd alltid andningsskydd eller skyddsmask anpassad för det material du arbetar med när du sågar.

SPARA DESSA ANVISNINGAR.

⚠️ VARNING: GLÖM INTE att också fortsättningsvis strikt följa säkerhetsanvisningarna för maskinen även efter att du blivit van att använda den. Vid FELAKTIG HANTERING av maskinen eller om inte säkerhetsanvisningarna i denna bruksanvisning följs kan följden bli allvarliga personskador.

Viktiga säkerhetsanvisningar för batterikassetten

1. Innan batterikassetten används ska alla instruktioner och varningsmärken på (1) batteriladdaren, (2) batteriet och (3) produkten läsas.
2. Montera inte isär batterikassetten.
3. Om drifttiden blivit avsevärt kortare ska användningen avbrytas omedelbart. Det kan uppstå överhettning, brännskador och t o m en explosion.
4. Om du får elektrolyt i ögonen ska de sköljas med rent vatten och läkare uppsöks omedelbart. Det finns risk för att synen förloras.
5. Kortslut inte batterikassetten.
 - (1) Rör inte vid polerna med något strömförande material.
 - (2) Undvik att förvara batterikassetten tillsammans med andra metallobjekt som t.ex. spikar, mynt o.s.v.
 - (3) Skydda batteriet mot vatten och regn. En batterikortslutning kan orsaka ett stort strömflöde, överhettning, brand och maskinhaveri.
6. Förvara inte maskinen och batterikassetten på platser där temperaturen kan nå eller överstiga 50 °C.
7. Bränn inte upp batterikassetten även om den är svårt skadad eller helt utsliten. Batterikassetten kan explodera i öppen eld.
8. Var försiktig så att du inte råkar tappa batteriet och utsätt det inte för stöt.
9. Använd inte ett skadat batteri.
10. De medföljande litiumjonbatterierna är föremål för kraven i gällande lagstiftning för farligt gods.

För kommersiella transporter (av t.ex. tredje parter som speditorsfirmor) måste de särskilda transportkrav som anges på emballaget och etiketter iakttas.

För att förbereda den produkt som ska avsändas krävs att du konsulterar en expert på riskmaterial. Var också uppmärksam på att det i ditt land kan finnas ytterligare föreskrifter att följa.

Tejpa över eller maskera blottade kontakter och packa batteriet på sådant sätt att det inte kan röra sig fritt i förpackningen.
11. Följ lokala föreskrifter beträffande avfallshantering av batteriet.

SPARA DESSA ANVISNINGAR.

⚠FÖRSIKTIGT: Använda endast äkta Makita-batterier. Användning av oäkta Makita-batterier eller batterier som har manipulerats kan leda till person- och utrustningsskador eller till att batteriet fattar eld. Det upphäver också Makitas garanti för verktyget och laddaren.

Tips för att uppnå batteriets maximala livslängd

1. Ladda batterikassetten innan den är helt urladdad. Stanna alltid maskinen och ladda batterikassetten när du märker att maskinen blir svagare.
2. Ladda aldrig en fulladdad batterikassett. Överladdning förkortar batteriets livslängd.
3. Ladda batterikassetten vid en rumstemperatur på 10 °C - 40 °C. Låt en varm batterikassett svalna innan den laddas.

FUNKTIONSBESKRIVNING

⚠FÖRSIKTIGT: Se alltid till att maskinen är avstängd och batterikassetten borttagen innan du justerar maskinen eller kontrollerar dess funktioner.

Montera eller demontera batterikassetten

⚠FÖRSIKTIGT: Stäng alltid av maskinen innan du monterar eller tar bort batterikassetten.

⚠FÖRSIKTIGT: Håll stadigt i maskinen och batterikassetten när du monterar eller tar bort batterikassetten. I annat fall kan det leda till att de glider ur dina händer och orsakar skada på maskinen och batterikassetten samt personskada.

► Fig.1: 1. Röd indikator 2. Knapp 3. Batterikassett

Ta bort batterikassetten genom att skjuta ner knappen på kassetts framsida samtidigt som du drar ut batterikassetten.

Sätt i batterikassetten genom att rikta in tungan på batterikassetten mot spåret i höljet och skjut den på plats. Tryck in batterikassetten ordentligt tills den låser fast med ett klick. Om du kan se den röda indikatorn på knappens ovansida är den inte låst ordentligt.

⚠FÖRSIKTIGT: Sätt alltid i batterikassetten helt tills den röda indikatorn inte längre syns. I annat fall kan den oväntat falla ur maskinen och skada dig eller någon annan.

⚠FÖRSIKTIGT: Monterar inte batterikassetten med våld. Om kassetten inte lätt glider på plats är den felinsatt.

Skyddssystem för batteri

Maskinen är utrustad med ett batteriskyddssystem. Detta system bryter automatiskt strömmen till motorn för att förlänga batteriets livslängd.

Maskinen stoppas automatiskt under pågående användning om någon av följande situationer uppstår:

Överbelastning:

Maskinen används på ett sätt som gör att den förbrukar onormalt mycket ström.

När detta sker stänger du av maskinen och upphör med arbetet som gjorde att maskinen överbelastades. Starta därefter upp maskinen igen.

Om maskinen inte startar är batteriet överhettat. Låt då batteriet svalna innan du startar maskinen igen.

Batterispänningen faller:

Den kvarvarande batterikapaciteten är för låg och maskinen fungerar inte. Om du trycker in avtryckaren går motorn igång men stannar snart igen. I detta läge tar du bort batteriet och laddar det.

Indikerar kvarvarande batterikapacitet

Gäller endast för batterikassetter med ett "B" på slutet i modellnumret

► Fig.2: 1. Indikatorlampor 2. Kontrollknapp

Tryck på kontrollknappen på batterikassetten för att se kvarvarande batterikapacitet. Indikatorlamporna lyser i ett par sekunder.

Indikatorlampor		Återstående kapacitet
Upplyst	Av	
		75% till 100%
		50% till 75%
		25% till 50%
		0% till 25%

OBS: Beroende på användningsförhållanden och den omgivande temperaturen kan indikationen skilja sig lätt från den faktiska batterikapaciteten.

Val av sågfunktion

► Fig.3: 1. Omkopplingsreglage för sågfunktion

Maskinen kan användas med sågbladet i en pendlande eller en rak sågrörelse (uppåt och nedåt). Vid pendel-sågning kastas sticksågbladet framåt i sågmomentet, vilket ger en markant ökning av såghastigheten.

Ändra sågfunktionen genom att vrida omkopplingsreglaget för sågfunktion till önskat sågfunktionsläge. Se tabellen för val av passande sågfunktion.

Läge	Sågfunktion	Användningsområde
0	Rak sågrörelse	För sågning i mjukt stål, rostfritt stål och plast.
		För rena sågningar i trä och plywood.
I	Sågning i en liten cirkel	För sågning i mjukt stål, aluminium och hårt trä.
II	Sågning i en medelstor cirkel	För sågning i trä och plywood.
		För snabb sågning i aluminium och mjukt stål.
III	Sågning i en stor cirkel	För snabb sågning i trä och plywood.

Avtryckarens funktion

⚠ FÖRSIKTIGT: Innan du sätter i batterikassetten i maskinen ska du kontrollera att avtryckaren fungerar och återgår till läget "OFF" när du släpper den.

⚠ FÖRSIKTIGT: När maskinen inte används ska startspärren vara intryckt från sidan A för att låsa avtryckaren i det avstängda läget OFF.

► Fig.4: 1. Startspärr 2. Avtryckare

Startspärren förhindrar oavsiktlig aktivering av avtryckaren.

Tryck in startspärren från sidan B och tryck sedan in avtryckaren för att starta maskinen.

Hastigheten ökas genom att trycka hårdare på avtryckaren. Släpp avtryckaren för att stoppa maskinen. Tryck alltid in startspärren från sidan A efter användning.

MONTERING

⚠ FÖRSIKTIGT: Se alltid till att maskinen är avstängd och batterikassetten borttagen innan du underhåller maskinen.

Montering eller demontering av sticksågblad

⚠ FÖRSIKTIGT: Ta alltid bort spån och annat främmande material som sitter fast på sticksågbladet och/eller bladhållaren. Om du inte gör det kan det hända att sågbladet inte dras åt ordentligt med allvarliga personskador som följd.

⚠ FÖRSIKTIGT: Rör inte sticksågbladet eller arbetsstycket direkt efter avslutat arbete. De kan vara extremt varma och orsaka brännskador.

⚠ FÖRSIKTIGT: Fäst alltid sticksågbladet ordentligt. Om detta inte görs kan sågbladet brytas av eller allvarliga personskador uppstå.

⚠ FÖRSIKTIGT: Använd endast sågblad av typ B för sticksåg. Om någon annan typ av sågblad än B används kan det hända att sågbladet inte dras åt ordentligt med allvarliga personskador som följd.

Montera sticksågbladet genom att lossa skruven moturs på sticksågens bladhållare med insexnyckeln.

► Fig.5: 1. Bladhållare på sticksåg 2. Skruv 3. Insexnyckel

För in sticksågbladet i sticksågens bladhållare så långt det går med bladets sågtänder riktade framåt. Se till att sågbladets bakre kant passas in i stödrullen. Dra sedan åt skruven medurs för att fästa sågbladet.

► Fig.6: 1. Skruv 2. Stödrulle 3. Sticksågblad

Gör på omvänt sätt för att ta bort sticksågbladet.

OBS: Smörj stödrullen då och då.

Förvaring av insexnyckel

► Fig.7: 1. Krok 2. Insexnyckel

Förvara insexnyckeln enligt figuren när den inte används så att du alltid har den till hands.

Sätt först in insexnyckeln i hålet. Tryck därefter in den i haken tills den läses.

Dammkåpa

⚠ FÖRSIKTIGT: Använd alltid skyddsglasögon, även om maskinen används med dammkåpan nedsänkt.

Sänk dammkåpan för att förhindra att spån flyger iväg. Dammkåpan måste dock höjas hela vägen vid vinkelsågning.

► Fig.8: 1. Dammkåpa

ANVÄNDNING

⚠ FÖRSIKTIGT: Håll alltid bottenplattan plant mot arbetsstycket. I annat fall kan sticksågbladet brytas av och ge upphov till allvarliga personskador.

⚠ FÖRSIKTIGT: För maskinen mycket långsamt framåt vid kurv- eller spiralsågning. Tvinga aldrig maskinen eftersom detta kan leda till att sågytan blir sned och att sticksågbladet bryts av.

► **Fig.9:** 1. Såglinje 2. Bottenplatta

Starta maskinen utan att sticksågbladet vidrör arbetsstycket och vänta tills sågbladet uppnår full hastighet. Vila sedan bottenplattan plant mot arbetsstycket, och för maskinen långsamt framåt längs den i förväg utmärkta såglinjen.

Vinkelsågning

⚠ FÖRSIKTIGT: Se alltid till att maskinen är avstängd och att batterikassetten är urtagen innan bottenplattan lutas åt sidan.

⚠ FÖRSIKTIGT: Høj dammkåpan hela vägen före vinkelsågning.

Med bottenplattan lutad åt sidan kan du utföra vinkelsågning vid valfri vinkel mellan 0° och 45° (vänster eller höger).

► **Fig.10**

Lossa skruven på bottenplattans undersida med en insexnyckel. Flytta bottenplattan så att skruven positioneras mitt i den korsformade skåran i bottenplattan.

► **Fig.11:** 1. Insexnyckel 2. Skruv 3. Bottenplatta

Luta bottenplattan tills önskad fasvinkel uppnås. Motorhusets kant indikerar fasvinkeln mot graderingen. Dra sedan åt skruven för att fästa bottenplattan.

► **Fig.12:** 1. Kant 2. Gradering

Sågning mot vägg

► **Fig.13:** 1. Insexnyckel 2. Skruv 3. Bottenplatta

Lossa skruven på bottenplattans undersida med insexnyckeln, och skjut sedan bottenplattan helt bakåt. Dra sedan åt skruven för att fästa bottenplattan.

Utsågning

Utsågning kan utföras med endera av de två metoderna "borra ett starthål" och "hålsågning".

Borra ett starthål

► **Fig.14**

Förborra ett starthål på minst 12 mm i diameter för att göra en utsågning utan att behöva såga in från kanten av arbetsstycket. Sätt i sticksågbladet i hålet och genomför utsågningen.

Hålsågning

► **Fig.15**

Du behöver inte förborra ett hål eller såga dig in från kanten om du försiktigt gör enligt följande:

1. Luta maskinen framåt mot bottenplattans framkant med sticksågbladets spets i position rakt ovanför arbetsstyckets yta.

2. Tryck mot maskinen så att bottenplattans framkant inte rör sig när maskinen sätts på, och sänk maskinens bakända långsamt och försiktigt.

3. Sänk sakta maskinens bottenplatta mot arbetsstyckets yta när sticksågbladet börjar såga igenom arbetsstycket.

4. Genomför sågningen på vanligt sätt.

Tilljämning av kanter

► **Fig.16**

Låt sticksågbladet lätt följa kanterna för att jämna till dem eller för att göra smärre justeringar av arbetsstyckets storlek.

Metallsågning

Använd alltid en lämplig kylvätska (sågolja) vid metallsågning. I annat fall kommer sticksågbladet att slitas kraftigt. Istället för att använda ett kylmedel kan arbetsstyckets undersida fettas in.

Dammuppsugning

► **Fig.17:** 1. Slang (extra tillbehör) 2. Dammkåpa

Ett rent sågningsarbete kan utföras genom att ansluta den här maskinen till en dammsugare från Makita. Sätt in dammsugarslangen i hålet på maskinens baksida.

Sänk ner dammkåpan innan arbetet påbörjas.

OBS: Dammuppsugning kan inte utföras vid vinkelsågning.

Parallellanslag

Valfria tillbehör

⚠ FÖRSIKTIGT: Se alltid till att maskinen är avstängd och att batterikassetten är urtagen innan tillbehör monteras eller tas bort.

Rak sågning

Ett parallellanslag kan användas vid upprepad sågning av arbetsstycken som är 160 mm breda eller smalare för att få snabb, ren och rak sågning.

► **Fig.18:** 1. Parallellanslag (anslagsskena)

Montera parallellanslaget genom att föra in det i det fyrkantiga hålet på bottenplattans sida med anslaget mot håll riktat nedåt. Skjut parallellanslaget till den önskade sågbredden, och fäst det sedan i läge genom att dra åt skruven.

► **Fig.19:** 1. Insexnyckel 2. Skruv 3. Anslaget mot håll 4. Parallellanslag (anslagsskena)

Cirkelsågning

Montera parallellanslaget enligt nedan vid sågning av cirklar eller bågar med en radie på 170 mm eller mindre.

► **Fig.20:** 1. Parallellanslag (anslagsskena)

1. För in parallellanslaget i det fyrkantiga hålet på bottenplattans sida med anslaget mot håll riktat uppåt.

2. Sätt i cirkelanslagets stift i det ena av de två hålen i anslaget mothåll. Skruva fast den gängade knoppen på stiftet för att fästa stiftet.

► **Fig.21:** 1. Gängad knopp 2. Anslaget mothåll 3. Parallellanslag (anslagsskena) 4. Stift

3. Skjut parallellanslaget till den önskade sågradien, och fäst det i läge genom att dra åt skruven. Skjut därefter bottenplattan ända fram.

OBS: Använd alltid sticksågblad B-17, B-18, B-26 eller B-27 vid sågning i cirkel eller bäge.

Flisningsskydd

Extra tillbehör, endast för modell med bottenplatta i aluminium

⚠FÖRSIKTIGT: Flisningsskyddet kan inte användas vid vinkelsågning.

► **Fig.22:** 1. Bottenplatta 2. Flisningsskydd

Flisningsskydd kan användas för flisfri sågning. Montera flisningsskyddet genom att föra maskinens bottenplatta hela vägen framåt och sedan passa in den på bottenplattans undersida. Om du använder skyddsplattan ska flisningsskyddet monteras på skyddsplattan.

Skyddsplatta

Extra tillbehör, endast för modell med bottenplatta i aluminium

► **Fig.23:** 1. Skyddsplatta 2. Bottenplatta

Använd skyddsplattan vid sågning av dekorationsfanér, plastmaterial etc. Plattan gör att känsliga ytor skyddas mot yttre skador. Passa in skyddsplattan på maskinens bottenplatta.

UNDERHÅLL

⚠FÖRSIKTIGT: Se alltid till att maskinen är avstängd och batterikassetten borttagen innan inspektion eller underhåll utförs.

OBSERVERA: Använd inte bensin, förtunningsmedel, alkohol eller liknande. Missfärgning, deformation eller sprickor kan uppstå.

För att upprätthålla produktens SÄKERHET och TILLFÖRLITLIGHET bör allt underhålls- och justeringsarbete utföras av ett auktoriserat Makita servicecenter och med reservdelar från Makita.

VALFRIA TILLBEHÖR

⚠FÖRSIKTIGT: Följande tillbehör eller tillsatser rekommenderas för användning med den Makita-maskin som denna bruksanvisning avser. Om andra tillbehör eller tillsatser används kan det uppstå risk för personsador. Använd endast tillbehören eller tillsatserna för de syften de är avsedda för.

Kontakta ditt lokala Makita servicecenter om du behöver ytterligare information om dessa tillbehör.

- Sticksågsblad
- Insexnyckel 3
- Parallellanslagssats (anslagsskena)
- Flisningsskydd
- Slang (för dammsugare)
- Skyddsplatta
- Makitas originalbatteri och -laddare

OBS: Några av tillbehören i listan kan vara inkluderade i maskinpaketet som standardtillbehör. De kan variera mellan olika länder.

TEKNISKE DATA

Modell:		JV101D	
Slaglengde		18 mm	
Slag per minutt		0 - 2 900 min ⁻¹	
Bladtype		B type	
Maks. skjærekapasitet	Tre	65 mm	
	Bløtt stål	2 mm	
	Aluminium	4 mm	
Nominell spenning		DC 10,8 V	
Batteriinnsett		BL1015, BL1020B	BL1040B
Total lengde		232 mm	250 mm
Nettovekt		1,7 kg	1,9 kg

- På grunn av vårt kontinuerlige forsknings- og utviklingsprogram kan spesifikasjonene som oppgis i dette dokumentet endres uten varsel.
- Spesifikasjoner og batteriinnsett kan variere fra land til land.
- Vekt, med batteriinnsett, i henhold til EPTA-prosedyre 01/2003

Riktig bruk

Denne maskinen er laget for å sage i tre-, plast- og metallmaterialer. På grunn av det store utvalget i ekstrastyr og innstillinger kan maskinen brukes til mange ting, og egner seg svært godt til å skjære i bue eller sirkel.

Støy

Typisk A-vektet lydtryknivå er bestemt i henhold til EN60745:

Lydtryknivå (L_{pA}) : 80 dB (A)

Lydeffektnivå (L_{WA}) : 91 dB (A)

Usikkerhet (K): 3 dB (A)

⚠ ADVARSEL: Bruk hørselsvern.

Vibrasjoner

Den totale vibrasjonsverdien (triaksial vektorsum) bestemt i henhold EN60745:

Arbeidsmodus: Skjærefjølør

Genererte vibrasjoner ($a_{h,B}$) : 7,0 m/s²

Usikkerhet (K): 1,5 m/s²

Arbeidsmodus: Kutting av metallplater

Genererte vibrasjoner ($a_{h,M}$) : 5,5 m/s²

Usikkerhet (K): 1,5 m/s²

MERK: Den angitte verdien for de genererte vibrasjonene er målt i samsvar med standardtestmetoden og kan brukes til å sammenlikne et verktøy med et annet.

MERK: Den angitte verdien for de genererte vibrasjonene kan også brukes til en foreløpig vurdering av eksponeringen.

⚠ ADVARSEL: De genererte vibrasjonene ved faktisk bruk av elektroverktøyet kan avvike fra den angitte vibrasjonsverdien, avhengig av hvordan verktøyet brukes.

⚠ ADVARSEL: Sørg for å identifisere vernetiltak for å beskytte operatøren, som er basert på et estimat av eksponeringen under de faktiske bruksforholdene (idet det tas hensyn til alle deler av driftssyklusen, dvs. hvor lenge verktøyet er slått av, hvor lenge det går på tomgang og hvor lenge startbryteren faktisk holdes trykket).

EF-samsvarserklæring

Gjelder kun for land i Europa

Makita erklærer at følgende maskin(er):
Maskinens bruksområde: Batteridrevet stikksag
Modellnr./type: JV101D

Samsvarer med følgende europeiske direktiver:
2006/42/EC

De er produsert i henhold til følgende standarder eller standardiserte dokumenter: EN60745

Den tekniske filen i samsvar med 2006/42/EC er tilgjengelig fra:

Makita, Jan-Baptist Vinkstraat 2, 3070, Belgia

23.9.2015



Yasushi Fukaya

Direktør

Makita, Jan-Baptist Vinkstraat 2, 3070, Belgia

Generelle advarsler angående sikkerhet for elektroverktøy

⚠ADVARSEL: Les alle sikkerhetsadvarslene og alle instruksjonene. Hvis du ikke følger alle advarslene og instruksjonene som er oppført nedenfor, kan det føre til elektriske støt, brann og/eller alvorlige helseskader.

Oppbevar alle advarsler og instruksjoner for senere bruk.

Uttrykket «elektrisk verktøy» i advarslene refererer både til elektriske verktøy (med ledning) tilkoblet strømnettet, og batteridrevne verktøy (uten ledning).

Sikkerhetsanvisninger for batteridrevet stikksag

1. Hold maskinen i det isolerte håndtaket når skjæreverktøyet kan komme i kontakt med skjulte ledninger under arbeidet. Hvis kutteutstyret kommer i kontakt med «strømførende» ledninger, kan ikke isolerte metalldele i maskinen bli «strømførende», og vil kunne gi brukeren elektrisk støt.
2. Bruk tvinger, eller en annen praktisk måte for å sikre og støtte arbeidsstykket på en stabil plattform. Hvis du holder det med hånden eller mot kroppen, kan det være ustabil og føre til at du mister kontrollen.
3. Du må alltid bruke vernebriller eller ansiktsvern. Vanlige briller og solbriller er IKKE vernebriller.
4. Unngå å skjære i spiker. Se etter om det er spikere i arbeidsstykket, og fjern dem før du begynner arbeidet.
5. Ikke skjær for store arbeidsstykker.
6. Sjekk at det er plass nok bak arbeidsstykket før du begynner sagingen, så ikke bladet trefrer gulvet, arbeidsbenken el.l.
7. Hold godt fast i verktøyet.
8. Forviss deg om at bladet ikke er i kontakt med arbeidsstykket, før du slår på startbryteren.
9. Hold hendene unna bevegelige deler.
10. Ikke gå fra verktøyet mens det er i gang. Verktøyet må bare brukes mens operatøren holder det i hendene.
11. Før du fjerner bladet fra arbeidsstykket, må du alltid slå av sagingen og vente til bladet har stoppet helt.
12. Ikke ta i bladet eller arbeidsstykket rett etter saging. De vil være ekstremt varme, og du kan brenne deg.
13. Ikke bruk maskinen uten belastning hvis det ikke er nødvendig.
14. Enkelte materialer inneholder kjemikalier som kan være giftige. Vær nøye med å hindre hudkontakt og innånding av støv. Følg leverandørens sikkerhetsanvisninger.
15. Bruk alltid riktig støvmaske/pustemaske for materialet og bruksområdet du arbeider med.

TA VARE PÅ DISSE INSTRUKSENE.

⚠ADVARSEL: IKKE LA hensynet til hva som er "behagelig" eller det faktum at du kjenner produktet godt (etter mange gangers bruk) gjøre deg mindre oppmerksom på sikkerhetsreglene for bruken av det aktuelle produktet. Ved MISBRUK eller hvis ikke sikkerhetsreglene i denne bruksanvisningen følges, kan det oppstå alvorlig personskade.

Viktige sikkerhetsanvisninger for batteriinnsetts

1. Før du begynner å bruke batteriet, må du lese alle anvisninger og forsiktighetsregler på (1) batteriladeren, (2) batteriet og (3) det produktet batteriet skal brukes i.
2. Ikke ta fra hverandre batteriet.
3. Hvis driftstiden er blitt vesentlig kortere, må du omgående slutte å bruke maskinen. Hvis ikke kan resultatet bli overoppheting, mulige forbrenninger eller til og med en eksplosjon.
4. Hvis du får elektrolytt i øynene, må du skylle dem med store mengder rennende vann og oppsøke lege med én gang. Denne typen uhell kan føre til varig blindhet.
5. Ikke kortslett batteriet:
 - (1) De kan være ekstremt varme og du kan brenne deg.
 - (2) Ikke lagre batteriet i samme beholder som andre metallgjenstander, som for eksempel spiker, mynter osv.
 - (3) Ikke la batteriet komme i kontakt med vann eller regn.En kortslutning av batteriet kan føre til et kraftig strømstøt, overoppheting, mulige forbrenninger og til og med til at batteriet går i stykker.
6. Ikke lagre maskinen og batteriet på steder hvor temperaturen kan komme opp i eller overskride 50 °C.
7. Ikke sett fyr på batteriet, ikke engang om det er sterkt skadet eller helt utslitt. Batteriet kan eksplodere hvis det begynner å brenne.
8. Vær forsiktig så du ikke mister batteriet eller utsetter det for slag.
9. Ikke bruk batterier som er skadet.
10. Lithium-ion-batteriene som medfølger er gjenstand for krav om spesialavfall. For kommersiell transport, f.eks av tredjeparter eller spedittører, må spesielle krav om pakking og merking følges. Før varen blir sendt, må du forhøre deg med en ekspert på farlig materiale. Ta også hensyn til muligheten for mer detaljerte nasjonale bestemmelser. Bruk teip eller maskeringsteip for å skjule åpne kontakter og pakk inn batteriet på en slik måte at den ikke kan bevege seg rundt i emballasjen.
11. Følg lokale bestemmelser for avhengig av batterier.

TA VARE PÅ DISSE INSTRUKSENE.

⚠ADVARSEL: Bruk kun originale Makita-batterier. Bruk av batterier som har endret seg, eller som ikke er originale Makita-batterier, kan føre til at batteriet sprekker og forårsaker brann, personskader og andre skader. Det vil også ugyldiggjøre garantien for Makita-verktøyet og -laderen.

Tips for å opprettholde maksimal batterilevetid

1. **Lad batteriinnsatsen før den er helt utladet. Stopp alltid driften av verktøyet og lad batteriinnsatsen når du merker at effekten reduseres.**
2. **Lad aldri en batteriinnsats som er fulladet. Overopplading forkortet batteriets levetid.**
3. **Lad batteriet i romtemperatur ved 10 °C - 40 °C. Et varmt batteri må kjøles ned før lading.**

FUNKSJONSBEKRIVELSE

⚠ADVARSEL: Forviss deg alltid om at maskinen er slått av og batteriet tatt ut før du justerer maskinen eller kontrollerer dens mekaniske funksjoner.

Sette inn eller ta ut batteri

⚠ADVARSEL: Slå alltid av verktøyet før du setter inn eller fjerner batteriet.

⚠ADVARSEL: Hold verktøyet og batteripatronen i et fast grep når du monterer eller fjerner batteripatronen. Hvis du ikke holder verktøyet og batteripatronen godt fast, kan du miste grepet, og dette kan føre til skader på verktøyet og batteripatronen samt personskader.

► Fig.1: 1. Rød indikator 2. Knapp 3. Batteriinnsats

For å ta ut batteriet må du skyve på knappen foran på batteriet og trekke det ut.

Når du skal sette inn batteriet, må du plassere tungen på batteriet på linje med sporet i huset og skyve batteriet på plass. Skyv det helt inn til det går i inngrep med et lite klikk. Hvis du kan se den røde anviseren på oversiden av knappen, er det ikke fullstendig låst.

⚠ADVARSEL: Batteriet må alltid settes helt inn, så langt at den røde anviseren ikke lenger er synlig. Hvis dette ikke gjøres, kan batteriet komme til å falle ut av maskinen og skade deg eller andre som oppholder seg i nærheten.

⚠ADVARSEL: Ikke bruk makt når du setter i batteriet. Hvis batteriet ikke glir lett inn, er det fordi det ikke settes inn på riktig måte.

Batteribeskyttelsessystem

Verktøyet er utstyrt med et batterivernsystem. Dette systemet slår automatisk av strømmen til motoren for å forlenge batteriets levetid.

Verktøyet stopper automatisk ved drift hvis det og/eller batteriet utsettes for en av følgende tilstander:

Overbelastning:

Verktøyet brukes på en måte som gjør at det trekker uvanlig mye strøm.

I dette tilfellet må du slå av verktøyet og avslutte bruken som forårsaket at verktøyet ble overbelastet. Slå deretter verktøyet på for å starte det igjen.

Hvis verktøyet ikke starter, er batteriet overbelastet. I så fall må du la batteriet kjøle seg ned før du slår verktøyet på igjen.

Lav batterispenning:

Gjenværende batterikapasitet er for lav og verktøyet vil ikke fungere. Når du starter verktøyet, starter motoren, men den stopper like etterpå. I dette tilfellet, fjern og lad batteriet opp igjen.

Indikere gjenværende batterikapasitet

Kun for batterier med «B» sist i modellnummeret

► Fig.2: 1. Indikatorlamper 2. Kontrollknapp

Trykk på sjekk-knappen på batteriet for vise gjenværende batterikapasitet. Indikatorlampene lyser i et par sekunder.

Indikatorlamper		Gjenværende batterinivå
Tent	Av	
		75% til 100%
		50% til 75%
		25% til 50%
		0% til 25%

MERK: Det angitte nivået kan avvike noe fra den faktiske kapasiteten alt etter bruksforholdene og den omgivende temperaturen.

Velge skjærefunksjon

► Fig.3: 1. Funksjonsvelgerspaken

Dette verktøyet kan skjære i ring eller i rett linje (opp og ned). Den sirkulære sagebevegelsen skyver bladet forover under arbeidsslaget og øker sagehastigheten kraftig.

For å endre skjærefunksjon må du dreie funksjonsvelgerspaken til posisjon for ønsket funksjon. Se tabellen for valg av riktig skjærefunksjon.

Posisjon	Skjærefunksjon	Bruksområde
0	Funksjonen skjæring i rett linje	For skjæring i bløtt stål, rustfritt stål og plast. For ren skjæring i tre og kryssfinér.
I	Skjæring i liten bane	For skjæring i bløtt stål, aluminium og hardt tre.
II	Skjæring i mellomstor bane	Skjæring i tre og kryssfinér. For rask skjæring i aluminium og mildt stål.
III	Skjæring i stor bane	For rask skjæring i tre og kryssfinér.

Bryterfunksjon

⚠ ADVARSEL: Før du setter batteriet inn i maskinen, må du alltid kontrollere at startbryteren aktiverer maskinen på riktig måte og går tilbake til «AV»-stilling når den slippes.

⚠ ADVARSEL: Når maskinen ikke skal brukes mer, må du trykke på avsperringsknappen fra A-siden for å låse startbryteren i AV-stilling.

► Fig.4: 1. Avsperringsknapp 2. Startbryter

En låseknapp på maskinen hindrer at startbryteren trykkes ved en feiltakelse.

Trykk på avsperringsknappen fra B-siden og på startbryteren for å starte maskinen.

Verktøyet hastighet øker når du trykker hardere på startbryteren. Slipp opp bryteren for å stanse verktøyet. Trykk alltid inn avsperringsknappen fra A-siden etter bruk.

MONTERING

⚠ ADVARSEL: Forviss deg alltid om at maskinen er slått av og batteriet tatt ut før du utfører noe arbeid på maskinen.

Montere eller fjerne sagbladet

⚠ ADVARSEL: Pass alltid på å fjerne flis og fremmedlegemer som kleber seg til bladet og/eller bladholderen. Hvis dette ikke gjøres, kan det bli vanskelig å stramme bladet ordentlig, noe som kan føre til alvorlige personskader.

⚠ ADVARSEL: Du må ikke berøre sagbladet eller arbeidsstykket umiddelbart etter at arbeidet er utført. Disse kan være ekstremt varme og vil kunne forårsake brannskader.

⚠ ADVARSEL: Sagbladet må alltid sikres godt. Utilstrekkelig tilstrømming av bladet kan forårsake brudd eller alvorlige personskader.

⚠ ADVARSEL: Bruk bare sagblader av type B. Bruk av andre bladtyper enn type B forårsaker utilstrekkelig strømming av bladet, og alvorlige personskader.

Monter sagbladet ved å løse skruen på sagbladholderen mot klokken med sekskantnøkkelen.

► Fig.5: 1. Stikksagbladholder 2. Skruer 3. Sekskantnøkkel

Pass på at tennene på bladet peker forover, og sett sagbladet så langt inn på sagbladholderen som mulig. Forsikre deg om at bakkanten på bladet passer inn i rullen. Stram skruen med klokken for å sikre bladet.

► Fig.6: 1. Skruer 2. Ruller 3. Løvblad

Fjern sagbladet ved å følge fremgangsmåten for installering i motsatt rekkefølge.

MERK: Smør rullen av og til.

Oppbevaring av sekskantnøkkel

► Fig.7: 1. Krok 2. Sekskantnøkkel

Når sekskantnøkkelen ikke er i bruk, må du oppbevare den som vist i figuren, slik at du ikke mister den. Først må du sette sekskantnøkkelen inn i hullet. Skyv den deretter inn i kroken, til den låses på plass.

Støvdeksel

⚠ ADVARSEL: Bruk alltid vernebriller, også når du bruker verktøyet med senket støvdeksel.

Senk støvdekslet for å forhindre at det spruter spon. Når du utfører skraskjæring, må du imidlertid heve det helt opp.

► Fig.8: 1. Støvdeksel

BRUK

⚠ ADVARSEL: Hold alltid verktøyfoten sammen med arbeidsstykket. Gjør du ikke det, kan det resultere i at bladet brykker. Dette kan forårsake alvorlige personskader.

⚠ ADVARSEL: Skyv verktøyet veldig sakte frem når du sager kurver eller spiraler. Hvis du legger for mye press på verktøyet, kan det føre til at skjæreoverflate blir skjev og at sagbladet brykker.

► **Fig.9:** 1. Skjærelinje 2. Verktøyfot

Slå verktøyet på, uten at sagbladet er i kontakt med noe, og vent til bladet når full hastighet. Hvil verktøyfoten flatt på arbeidsemnet, og bevege verktøyet forsiktig fremover langs den markerte skjærelinjen.

Skråskjæring

⚠ ADVARSEL: Forviss deg alltid om at maskinen er slått av og batteriinnsetsen er tatt ut, før du vipper foten.

⚠ ADVARSEL: Løft støvdekslet helt opp, før du gjennomfører skråskjæringer.

Med verktøyfoten vippet kan du gjennomføre skråskjæring i alle vinkler mellom 0° og 45° (venstre eller høyre).

► **Fig.10**

Løsne skruen bak på verktøyfoten med sekskantnøkkel. Flytt verktøyfoten, slik at skruen plasseres midt i det kryssformede sporet i verktøyfoten.

► **Fig.11:** 1. Sekskantnøkkel 2. Skruer 3. Verktøyfot

Vipp basen til ønsket vinkel for skråskjæring oppnås. Kanten på motorhuset viser skråvinkelen med gradinndeling. Stram deretter til bolten for å feste verktøyfoten i ønsket vinkel.

► **Fig.12:** 1. Kant 2. Gradinndeling

Rettfremskjæring

► **Fig.13:** 1. Sekskantnøkkel 2. Skruer 3. Verktøyfot

Løsne skruen bak på verktøyfoten med sekskantnøkkel og skyv verktøyfoten helt tilbake. Stram deretter til bolten for å feste verktøyfoten i ønsket vinkel.

Utsnitt

Utsnitt kan utføres med en av de to metodene, "bore et starthull" eller "stikkskjæring".

Bore et starthull

► **Fig.14**

For interne utsnitt uten innføringskutt fra en kant, må du forhåndsbore et starthull på 12 mm eller mer i diameter. Sett inn sagbladet i dette hullet for å starte sagingen.

Innstikk

► **Fig.15**

Du trenger ikke å bore et starthull eller foreta et innføringskutt hvis du gjør følgende på en nøyaktig måte.

1. Vipp verktøyet opp på forkanten av verktøyfoten med sagbladspissen plassert rett over overflaten på arbeidsemnet.

2. Utøve trykk på verktøyet, slik at forkanten av verktøyfoten ikke beveger seg når du slår på verktøyet forsiktig og senker bakenden sakte.

3. Når sagbladet lager hull i arbeidsemnet, senker du verktøyfoten sakte ned mot overflaten på arbeidsemnet.

4. Fullfør kuttet på vanlig måte.

Finpusse kanter

► **Fig.16**

For å pusse kanter eller foreta dimesjonsjusteringer må du kjøre sagbladet lett langs kantene.

Metallkutting

Når du sager i metall, må du alltid bruke et passende kjølemiddel (en passende sagolje). Hvis du ikke gjør det, vil sagbladet bli svært slitt. Undersiden av arbeidsemnet kan smøres med fett, istedet for å bruke kjølevæske.

Støvoppsamler

► **Fig.17:** 1. Slange (tilleggsutstyr) 2. Støvdeksel

Ren saging kan utføres ved å koble dette verktøyet til en Makita-støvsuger.

Sett inn slangen fra støvsugeren inn i hullet på bakdelen av verktøyet.

Senk støvdekslet før bruk.

MERK: Støvoppsamling kan ikke gjennomføres når du foretar skråskjæring.

Parallellanlegg

Valgfritt tilbehør

⚠ ADVARSEL: Forviss deg alltid om at maskinen er slått av og batteriet tatt ut, før du monterer eller demonterer tilbehør.

Rette kutt

Når du sager bredder under 160 mm gjentatte ganger, må du bruke parallellanlegget for å sikre raske, rene og rette kutt.

► **Fig.18:** 1. Parallellanlegg (føringslinjal)

For å montere, må du sette parallellanlegget i det firkantede hullet på siden av verktøyfoten med anleggssføringen pekende nedover. Skyv parallellanlegget til posisjon for ønsket skjærebredde, og stram skruen for å sikre det.

► **Fig.19:** 1. Sekskantnøkkel 2. Skruer 3. Anleggssføringen 4. Parallellanlegg (føringslinjal)

Sirkelkutt

Når du sager sirkler eller buer med en radius på 170 mm eller mindre, må du montere parallellanlegget på følgende måte.

► **Fig.20:** 1. Parallellanlegg (føringslinjal)

1. Sett parallellanlegget i det firkantede hullet på siden av foten med anleggsføringen vendt oppover.
2. Sett inn sirkelføringsstiften gjennom et av de to hullene i anleggsføringen. Skru gjengeknotten på stiften for å sikre stiften.
► **Fig.21:** 1. Gjengeknotten 2. Anleggsføringen 3. Parallellanlegg (føringslinjal) 4. Stift
3. Skyv parallellanlegget til posisjon for ønsket skjæreradius, og stram skruen for å feste det på plass. Flytt deretter verktøyfoten helt frem.

MERK: Bruk alltid blad nr. B-17, B-18, B-26 eller B-27 når du sager sirkler eller buer.

Antisponenhet

Valgfritt utstyr, kun for modellbasen i aluminium

ADVARSEL: Antisponenheten kan ikke brukes ved skråskjæring.

- **Fig.22:** 1. Verktøyfot 2. Antisponenhet

For sponfri saging kan du bruke antisponenheten. For å montere antisponenheten må du flytte verktøyfoten helt frem og sette den inn i verktøyfoten fra baksiden. Når du bruker dekkplaten, må du montere antisponenheten på dekkplaten.

Dekkplate

Valgfritt utstyr, kun for modellbasen i aluminium

- **Fig.23:** 1. Dekkplate 2. Verktøyfot

Bruk dekkplaten når du sager finér, plast osv. Den beskytter følsomme og tynne flater mot skader. Sett den bak på verktøyfoten.

VEDLIKEHOLD

ADVARSEL: Forviss deg alltid om at maskinen er slått av og batteriet tatt ut før du foretar inspeksjon eller vedlikehold.

OBS: Aldri bruk gasolin, bensin, tynner alkohol eller lignende. Det kan føre til misfarging, deformering eller sprekkdannelse.

For å opprettholde produktets SIKKERHET og PÅLITELIGHET, må reparasjoner, vedlikehold og justeringer utføres av autoriserte Makita servicesentre eller fabrikk-servicesentre, og det må alltid brukes reservedeler fra Makita.

ADVARSEL: Det anbefales at du bruker dette tilbehøret eller verktøyet sammen med den Makita-maskinen som er spesifisert i denne håndboken. Bruk av annet tilbehør eller verktøy kan forårsake personskader. Tilbehør og verktøy må kun brukes til det formålet det er beregnet på.

Ta kontakt med ditt lokale Makita-servicesenter hvis du trenger mer informasjon om dette tilbehøret.

- Stikksagblader
- Sekskantnøkkel 3
- Parallellanleggsett (føringslinjal)
- Antisponenhet
- Slange (for støvsuger)
- Dekkplate
- Makita originalbatteri og lader

MERK: Enkelte elementer i listen kan være inkludert som standardtilbehør i verktøypakken. Elementene kan variere fra land til land.

TEKNISET TIEDOT

Malli:	JV101D	
Iskun pituus	18 mm	
Iskua minuutissa	0 - 2 900 min ⁻¹	
Terätyyppi	B-tyyppi	
Suurin leikkuukapasiteetti	Puu	65 mm
	Pehmeä teräs	2 mm
	Alumiini	4 mm
Nimellisjännite	DC 10,8 V	
Akkupaketti	BL1015, BL1020B	BL1040B
Kokonaispituus	232 mm	250 mm
Nettopaino	1,7 kg	1,9 kg

- Jatkuvasta tutkimus- ja kehitystyöstämme johtuen esitetyt tekniset tiedot saattavat muuttua ilman erillistä ilmoitusta.
- Tekniset tiedot ja akkupaketti voivat vaihdella maittain.
- Paino akkupaketilla, EPTA-menettelyn 01/2003 mukaan

Käyttötarkoitus

Työkalu on tarkoitettu puun, muovin ja rautapitoisten materiaalien sahaukseen. Laajan lisävaruste- ja sahanterävalikoiman ansiosta työkalua voidaan käyttää moniin käyttötarkoituksiin ja se sopii hyvin kaareviin ja pyöreisiin leikkauksiin.

Melutaso

Tyypillinen A-painotettu melutaso määräytyy standardin EN60745 mukaan:

Äänenpainetaso (L_{pA}) : 80 dB (A)

Äänen voiman taso (L_{WA}) : 91 dB (A)

Virhemarginaali (K): 3 dB (A)

VAROITUS: Käytä kuulosuojaimia.

Tärinä

Kokonaistärinä (kolmen akselin vektorien summa) määräytyy standardin EN60745 mukaan:

Työtila: levyjen sahaaminen

Tärinäpäästö ($a_{h,B}$) : 7,0 m/s²

Virhemarginaali (K): 1,5 m/s²

Työtila: metallilevyn leikkaaminen

Tärinäpäästö ($a_{h,M}$) : 5,5 m/s²

Virhemarginaali (K): 1,5 m/s²

HUOMAA: Ilmoitettu tärinäpäästöarvo on mitattu standarditestausmenetelmän mukaisesti, ja sen avulla voidaan vertailla työkaluja keskenään.

HUOMAA: Ilmoitettua tärinäpäästöarvoa voidaan käyttää myös altistumisen alustavaan arviointiin.

VAROITUS: Työkalun käytön aikana mitattu todellinen tärinäpäästöarvo voi poiketa ilmoitetusta tärinäpäästöarvosta työkalun käyttötavan mukaan.

VAROITUS: Selvitä käyttäjän suojaamiseksi tarvittavat varotoimet todellisissa käyttöolosuhteissa tapahtuvan arvioitun altistumisen mukaisesti (ottaen huomioon käyttöjakso kokonaisuudessaan, myös jaksot, joiden aikana työkalu on sammutettuna tai käy tyhjäkäynnillä).

VAKUUTUS EC-VASTAAVUUDESTA

Koskee vain Euroopan maita

Makita ilmoittaa, että seuraava(t) kone(et):

Koneen tunnistetiedot: Langaton lehtisaha

Mallinumero/tyyppi: JV101D

Täyttävät seuraavien eurooppalaisten direktiivien vaatimukset: 2006/42/EC

On valmistettu seuraavien standardien tai standardoitujen asiakirjojen mukaisesti: EN60745

Direktiivin 2006/42/EC mukaiset tekniset tiedot ovat saatavissa seuraavasta osoitteesta:

Makita, Jan-Baptist Vinkstraat 2, 3070, Belgia

23.9.2015



Yasushi Fukaya

Johtaja

Makita, Jan-Baptist Vinkstraat 2, 3070, Belgia

Sähkötyökalujen käyttöä koskevat yleiset varoitukset

VAROITUS: Lue huolellisesti kaikki turvallisuusvaroitukset ja käyttöohjeet. Jos varoitusten ja ohjeiden noudattaminen laiminlyödään, seurauksena voi olla sähköisku, tulipalo ja/tai vakava vammautuminen.

Säilytä varoitukset ja ohjeet tulevaa käyttöä varten.

Varoituksissa käytettävällä termillä "sähkötyökalu" tarkoitetaan joko verkkovirtaa käyttävää (johdollista) työkalua tai akkukäyttöistä (johdotonta) työkalua.

Langattoman lehtisahan turvaohjeet

1. Kun suoritat toimenpidettä, jossa leikkaustyökalu voi joutua kosketukseen piilossa olevien johtojen kanssa, pidä kiinni työkalustan eristetyin tarttumispinnan kohdalta. Jos leikkausiläiläite joutuu kosketukseen jännitteisen johdon kanssa, jännite voi siirtyä työkalun sähköjohtaviin metalliosiin ja aiheuttaa käyttäjälle sähköiskun.
2. Kiinnitä ja tue työkalua tukevalle alustalle puristimilla tai muulla käytännöllisellä tavalla. Työn pitäminen kädessä tai vartaloa vasten tekee työn epävakaaksi ja voi johtaa hallinnan menetykseen.
3. Käytä aina suojalaseja. Tavalliset silmä- tai aurinkolasit EIVÄT ole suojalaseja.
4. Vältä nauhojen sahaamista. Tarkasta, onko työkalupaleessa nauloja, ja poista ne ennen käyttöä.
5. Älä leikkaa ylisuuria työkalupaleita.
6. Tarkista ennen leikkaamista, että työkalupaleen takana on tarpeeksi tilaa, jotta terä ei osu lattiaan, työpöytään tai vastaavaan.
7. Ota työkalusta luja ote.
8. Varmista, että terä ei kosketa työkalupaleita, ennen kuin painat kytkintä.
9. Pidä kädet poissa liikkuvien osien luota.
10. Älä jätä työkalua käymään itsekseen. Käytä laitetta vain silloin, kun pidät sitä kädessä.
11. Sammuta laite ja odota, että terä pysähtyy täysin, aina ennen kuin irrotat terän työkalupaleesta.
12. Älä kosketa terää tai työkalupaleita välittömästi käytön jälkeen, sillä ne voivat olla erittäin kuumia ja saattavat polttaa ihoa.
13. Älä käytä työkalua tarpeettomasti ilman kuormaa.
14. Jotkin materiaalit sisältävät kemikaaleja, jotka voivat olla myrkyllisiä. Huolehdi siitä, että pölyn sisään hengittäminen ja ihokosketus estetään. Noudata materiaalin toimittajan turvaohjeita.
15. Käytä aina yöstettävän materiaalin ja käyttö-tarkoituksen mukaan valittua pölynaamaria/hengityssuojainta.

SÄILYTÄ NÄMÄ OHJEET.

VAROITUS: ÄLÄ anna työkalun helpokäyttöisyyden (toistuvan käytön aikaansaama) johtaa sinua väärään turvallisuuden tunteeseen niin, että laiminlyöt työkalun turvaohjeiden noudattamisen. **VÄÄRINKÄYTTÖ** tai tässä käyttöohjeessa ilmoitettujen turvamääräysten laiminlyönti voi aiheuttaa vakavia henkilövahinkoja.

Akkupakettia koskevia tärkeitä turvaohjeita

1. Ennen akun käyttöönottoa tutustu kaikkiin laturissa (1), akussa (2) ja akkukäyttöisessä tuotteessa (3) oleviin varoitusteksteihin.
2. Älä pura akkua.
3. Jos akun toiminta-aika lyhenee merkittävästi, lopeta akun käyttö. Seurauksena voi olla ylikuumentuminen, palovammoja tai jopa räjähdys.
4. Jos akkunestettä pääsee silmiin, huuhtele puhtaalla vedellä ja hakeudu välittömästi lääkärin hoitoon. Akkuneste voi aiheuttaa näön menetyksen.
5. Älä oikosulje akkua.
 - (1) Älä koske akun napoihin millään sähköjohtavalla materiaalilla.
 - (2) Vältä akun oikosulkemista äläkä säilytä akkua yhdessä muiden metalliesineiden, kuten nauhojen, kolikoiden ja niin edelleen kanssa.
 - (3) Älä aseta akkua alttiiksi vedelle tai sateelle.Oikosulku voi aiheuttaa virtapiikin, ylikuumentumista, palovammoja tai laitteen rikkoantumisen.
6. Älä säilytä työkalua ja akkua paikassa, jossa lämpötila voi nousta 50 °C:een tai sitäkin korkeammaksi.
7. Älä hävitä akkua polttamalla, vaikka se olisi pahoin vaurioitunut tai täysin loppuun kulunut. Avotuli voi aiheuttaa akun räjähtämisen.
8. Varo kolhimasta tai pudottamasta akkua.
9. Älä käytä viallista akkua.
10. Sisältyviä litium-ioni-akkuja koskevat vaarallisten aineiden lainsäädännön vaatimukset. Esimerkiksi kolmansien osapuolten huolintaliikkeiden tulee kaupallisissa kuljetuksissa noudattaa pakkaamista ja merkintöjä koskevia erityisvaatimuksia. Lähetettävän tuotteen valmistelu edellyttää vaarallisten aineiden asiantuntijan neuvontaa. Huomioi myös mahdollisesti yksityiskohtaisemmat kansalliset määräykset. Akun avoimet liittimet tulee suojata teipillä tai suojuksella ja pakkaaminen tulee tehdä niin, ettei akku voi liikkua pakkauksessa.
11. Hävitä akku paikallisten määräysten mukaisesti.

SÄILYTÄ NÄMÄ OHJEET.

HUOMIO: Käytä vain alkuperäisiä Makita-akkuja. Muiden kuin aitojen Makita-akkujen, tai mahdollisesti muutettujen akkujen käyttö voi johtaa akun murtumiseen ja aiheuttaa tulipaloja, henkilö- ja omaisuusvahinkoja. Se mitätöi myös Makita-työkalun ja -laturin Makita-takuun.

Vihjeitä akun käyttöön pidentämiseksi

1. Lataa akku ennen kuin se purkautuu täysin. Lopeta aina työkalun käyttö ja lataa akku, jos huomaat työkalun tehon vähenevän.
2. Älä koskaan lataa uudestaan täysin ladattua akkua. Yli lataaminen lyhentää akun käyttöikää.
3. Lataa akku huoneen lämpötilassa välillä 10 °C - 40 °C. Anna kuuman akun jäähtyä ennen lataamista.

TOIMINTOJEN KUVAUS

HUOMIO: Varmista aina ennen säätöjä ja tarkastuksia, että työkalu on sammutettu ja akkupaketti irrotettu.

Akun asentaminen tai irrottaminen

HUOMIO: Sammuta työkalu aina ennen akun kiinnittämistä tai irrottamista.

HUOMIO: Pidä työkalusta ja akusta tiukasti kiinni, kun irrotat tai kiinnität akkua. Jos akkupaketti tai työkalu putoaa, ne voivat vaurioitua tai aiheuttaa tapaturman.

- **Kuva1:** 1. Punainen merkivalo 2. Painike 3. Akkupaketti

Irrota akku painamalla akun etupuolella olevaa painiketta ja vetämällä akku ulos työkalusta.

Akku liitetään sovitamalla akun kieleke rungon uraan ja työntämällä se sitten paikoilleen. Työnnä akku pohjaan asti niin, että kuulet sen napsahdavan paikoilleen. Jos painikkeen yläpuolella näkyy punainen ilmaisin, akku ei ole lukkiutunut täysin paikoilleen.

HUOMIO: Työnnä akku aina pohjaan asti, niin että punainen ilmaisin ei enää näy. Jos akku ei ole kunnolla paikallaan, se voi pudota työkalusta ja aiheuttaa vammoja joko sinulle tai sivullisille.

HUOMIO: Älä käytä voimaa akun asennuksessa. Jos akku ei lii'u paikalleen helposti, se on väärässä asennossa.

Akun suojausjärjestelmä

Työkalu on varustettu akun suojausjärjestelmällä. Tämä järjestelmä pidentää akun käyttöikää katkaisemalla moottorin virran automaattisesti.

Työkalu pysähtyy automaattisesti kesken käytön, jos työkalussa tai akussa ilmenee jokin seuraavista tilanteista:

Ylikuormitus:

Työkalua käytetään tavalla, joka saa sen kuluttamaan epätavallisen paljon virtaa.

Katkaise tässä tilanteessa työkalusta virta ja lopeta ylikuormitustilan aiheuttanut käyttö. Käynnistä sitten työkalu uudelleen kytkemällä siihen virta.

Jos työkalu ei käynnisty, akku on ylikuumentunut. Anna tässä tilanteessa akku jäähtyä, ennen kuin kytket työkaluun virran uudelleen.

Alhainen akun jännite:

Akun varaus on liian alhainen eikä riitä työkalun käyttämiseen. Jos kytket työkalun päälle, moottori alkaa toimia, mutta pysähtyy pian. Irrota tässä tilanteessa akku ja lataa se.

Akun jäljellä olevan varaustason ilmaisin

Vain akkupaketeille, joiden mallinumeron lopussa on "B"

► **Kuva2:** 1. Merkivalot 2. Tarkistuspainike

Painamalla tarkistuspainiketta saat näkyviin akun jäljellä olevan varausten. Merkivalot palavat muutaman sekunnin ajan.

Merkivalot		Akussa jäljellä olevan varaus
Palaa	Pois päältä	
■ ■ ■ ■ ■	□	75% - 100%
■ ■ ■ □	□	50% - 75%
■ ■ □ □	□ □	25% - 50%
■ □ □ □	□ □ □	0% - 25%

HUOMAA: Ilmoitettu varaustaso voi erota hieman todellisesta varaustasosta sen mukaan, millaisissa oloissa ja missä lämpötilassa laitetta käytetään.

Leikkaustoiminnan valinta

► Kuva3: 1. Leikkaustoiminnan vaihtovipu

Tätä konetta voi käyttää rata- tai suoralinjaleikkaustoiminnalla (ylös ja alas). Rataleikkaustoiminnan aikana terä työntyy eteenpäin leikkausviivaa pitkin ja se lisää merkittävästi leikkausnopeutta.

Leikkaustoiminnan vaihtamiseksi käännä vain leikkaustoiminnan vaihtovipua haluttuun leikkaustoiminta-asemaan. Katso taulukkoa sopivan leikkaustoiminnan valitsemiseksi.

Paikka	Leikkaustoiminta	Sovellukset
0	Suoralinjaleikkaustoiminta	Pehmeän teräksen, ruostumattoman teräksen ja muovin leikkaamiseen. Puun ja vanerin siisteihin leikkaamiseen.
I	Pienen radan leikkaustoimintaan	Pehmeän teräksen, alumiinin ja kovan puun leikkaamiseen.
II	Keskisuuren radan leikkaustoimintaan	Puun ja vanerin leikkaamiseen. Alumiiniin ja pehmeän teräksen nopeaan leikkaamiseen.
III	Suuren radan leikkaustoimintaan	Puun ja vanerin nopeaan leikkaamiseen.

Kytöiminen käyttöminen

▲HUOMIO: Tarkista aina ennen akkupaketin asettamista työkaluun, että liipaisinkytkin kytkeytyy oikein ja palaa "OFF"-asettoon, kun se vapautetaan.

▲HUOMIO: Kun et käytä työkalua, lukitse liipaisinkytkin OFF-asettoon painamalla lukituksen vapautuspainiketta suunnasta A.

- **Kuva4:** 1. Lukituksen vapautuspainike
2. Liipaisinkytkin

Voit estää liipaisinkytkimen tahattoman vetämisen lukituksen vapautuspainiketta käyttämällä. Voit käynnistää laitteen painamalla lukituksen vapautuspainikkeen alas B-puolelta ja vetämällä liipaisinkytkintä. Työkalun nopeus kasvaa kytkinlaukaisimeen kohdistuvaa painetta lisättäessä. Pysäytä vapauttamalla liipaisinkytkin. Paina lukituksen vapautuspainike aina käytön jälkeen sisään suunnasta A.

KOKOONPANO

▲HUOMIO: Varmista aina ennen mitään työkalulle tehtäviä toimenpiteitä, että se on sammutettu ja akku irrotettu.

Lehtisahanterän asennus tai irrotus

▲HUOMIO: Poista aina terään ja/tai terän kannattimeen tarttuneet lastut tai vierasaineet. Tämän laiminlyönti saattaa aiheuttaa terän riittämättömän kiristymisen, joka voi aiheuttaa vakavia vammoja.

▲HUOMIO: Älä kosketa lehtisahanterää tai työkalua heti käytön jälkeen. Ne voivat olla hyvin kuumia ja aiheuttaa palovammoja.

▲HUOMIO: Varmista aina lehtisahanterä lujasti. Terän riittämätön kiristäminen voi aiheuttaa terän rikkoutumisen tai vakavia henkilövammoja.

▲HUOMIO: Käytä ainoastaan B-tyyppin lehtisahanterää. Muiden, kuin B-tyyppin terien käyttö aiheuttaa terän riittämättömän kiristämisen, joka voi aiheuttaa vakavan vamman.

Löysennä terän kannattimessa olevaa pulttia vastapäivään kuusioavaimella terän asentamiseksi.

- **Kuva5:** 1. Lehtisahanterän kannatin 2. Pultti
3. Kuusioavain

Kun terän hammas kohdistuu eteenpäin, asenna terä kannattimeensa niin pitkälle, kuin se menee. Varmista, että terän takareuna sopii telaaan. Kiristä sitten pulttia myötäpäivään terän varmistamiseksi.

- **Kuva6:** 1. Pultti 2. TELA 3. Lehtisahanterä

Lehtisahanterä irrotetaan päinvastaisessa järjestyksessä.

HUOMAA: Voitele tela silloin tällöin.

Kuusioavaimen varastointi

- **Kuva7:** 1. Koukku 2. Kuusioavain

Säilytä kuusioavainta kuvan osoittamassa paikassa, ettei se pääse katoamaan.

Aseta ensin kuusioavain aukkoon. Työnnä avainta sitten koukun sisään, kunnes se lukittuu.

Pölysuojus

▲HUOMIO: Käytä aina suojalaseja, silloinkin, kun käytät työkalua alennetulla pölynsuojuksella.

Alenna pölynsuojusta lastujen lentelyn ehkäisemiseksi. Viisteilyleikkauksia tehdessäsi, nosta se kuitenkin täysin.

- **Kuva8:** 1. Pölysuojus

TYÖSKENTELY

▲HUOMIO: Pidä aina pohjan upotus työkaluleissa. Tämän laiminlyönti voi aiheuttaa terän rikkoutumisen, joka voi aiheuttaa vakavan vamman.

▲HUOMIO: Etene työkalulla hyvin hitaasti leikattaessa kaaria tai rullauksia. Työkalun pakottaminen voi aiheuttaa kaltevan leikkauspinnan ja lehtisahanterän rikkoutumisen.

- **Kuva9:** 1. Sahauslinja 2. Alusta

Kytke työkalu päälle terää koskettamatta ja odota, kunnes terä saavuttaa täyden nopeuden. Aseta sitten työkalun pohja tasaisesti työkaluleen päälle ja siirrä työkalua varovasti eteenpäin aikaisemmin merkittyä leikkauslinjaa pitkin.

Viisteitysleikkaus

⚠️HUOMIO: Varmista aina ennen pohjan kallistamista, että laite on sammutettu ja akku irrotettu.

⚠️HUOMIO: Nosta pölysuojaa täysin, ennen kuin teet viisteitysleikkauksia.

Voit tehdä viisteitysleikkauksia pohjaa kallistamalla 0° ja 45° kulman välillä (vasen tai oikea).

► **Kuva10**

Löysää pohjan takana olevaa pulttia kuusioavaimella. Siirrä pohjaa siten, että pultti on asennettu pohjassa olevan ristimuotoisen aukon keskelle.

► **Kuva11:** 1. Kuusioavain 2. Pultti 3. Alusta

Kallista pohjaa, kunnes haluttu viisteityskulma on saavutettu. Moottorinrunon reuna ilmaisee viisteityskulman astejaon mukaan. Kiristä sitten pulttia pohjan kiinnittämiseksi.

► **Kuva12:** 1. Reuna 2. Asteikko

Etu-upotus leikkaukset

► **Kuva13:** 1. Kuusioavain 2. Pultti 3. Alusta

Löysennä pohjan takan oleva pultti kuusioavaimella ja työnnä pohja täysin taaksepäin. Kiristä sitten pulttia pohjan kiinnittämiseksi.

Poisleikkaukset

Leikkaukset voi tehdä jommallakummalla menetelmistä "aloitusreiän kairaminen" tai "upotussahas".

Aloitusreiän kairaminen

► **Kuva14**

Sisäisten leikkausten tekoon ilman reunan läpivientä leikkuuta, kairaa ennakolta halkaisijaltaan 12 mm:n tai sitä suurempi reikä. Työnnä terä tähän reikään leikkauksesi aloittamiseksi.

Upotussahas

► **Kuva15**

Sinun ei tarvitse kairata aloitusreikää tai tehdä läpivientileikkauksia, jos toimit varovasti seuraavalla tavalla.

1. Kallista työkalua pohjan yläreunaan siten, että lehtisahanterän kärki osoittaa juuri työkappaleen pinnan yläpuolelle.
2. Paina työkalua siten, että pohjan etureuna ei liiku, kun käynnistät työkalun ja laske työkalun takakärkeä hitaasti.
3. Terän tunkeutuessa työkappaleeseen laske työkalun pohja hitaasti työkappaleen pinnalle.
4. Päättää leikkaus normaaliin tapaan.

Reunojen viimeistely

► **Kuva16**

Aja terä kevyesti leikattuja reunoja pitkin reunojen tasaamiseksi tai mittasäättöjen tekemiseksi.

Metallin leikkaus

Käytä aina sopivaa jäähdytysainetta (leikkuuöljyä), kun leikkaat metallia. Muuten seurauksena on lehtisahanterän merkittävä kuluminen. Työkappaleen alapintaa voidaan rasvata jäähdytysnesteen käytön sijaan.

Pölynpoisto

► **Kuva17:** 1. Letku (lisävaruste) 2. Pölysuojus

Voit suorittaa puhtaan leikkauksen kytkemällä tämän työkalun Makita-pölynimuriin.

Aseta letku pölynimurin reikään työkalun takana.

Laske pölysuojaa alas ennen käyttöä.

HUOMAA: Pölyn poistoa ei voi suorittaa viisteitysleikkauksia tehden.

Repeämäaita

Lisävaruste

⚠️HUOMIO: Varmista aina, että työkalu on kytketty pois päältä ja akku on poistettu, ennen lisävarusteiden asentamista tai poistamista.

Suorat leikkaukset

Kun leikkaat toistuvasti alle 160 mm leveitä työkappaleita tai pienempiä, repeämäaidan käyttö turvaa nopeat, puhtaat ja suorat leikkaukset.

► **Kuva18:** 1. Repeämäaita (ohjaustulkki)

Asennukseen liitä repeämäaita pohjan sivussa olevaan suorakulmaiseen reikään siten, että aidan ohjain katsoo alaspäin. Työnnä repeämäaita haluttuun leikkauslevyden asentoon, kiristä sitten pultti varmistaaksesi sen.

► **Kuva19:** 1. Kuusioavain 2. Pultti 3. Ohjainaita 4. Repeämäaita (ohjaustulkki)

Pyöreät leikkaukset

Kun leikkaat säteeltään 170 mm tai pienempiä ympyröitä tai kaaria, asenna repeämäaita seuraavasti.

► **Kuva20:** 1. Repeämäaita (ohjaustulkki)

1. Liitä repeämäaita pohjan sivussa olevaan suorakulmaiseen reikään siten, että aidan ohjain osoittaa ylöspäin.
2. Liitä pyöräohjaimen tappi yhteen aitaohjaimessa olevista kahdesta reiästä. Ruuvaa kierteinen nappi tappiin varmistaaksesi tapin.
- **Kuva21:** 1. Kierteitetty nappi 2. Ohjainaita 3. Repeämäaita (ohjaustulkki) 4. Tappi
3. Työnnä repeämäaita haluttuun leikkaussäteeseen ja kiristä pultti paikalleen sen varmistamiseksi. Siirrä sitten pohja täysin eteenpäin.

HUOMAA: Käytä aina lehtisahanteränumeroa B-17, B-18, B-26 tai B-27 leikatessasi ympyröitä tai kaaria.

Lohkaisunestolaite

Lisävaruste, vain alumiinipohjaiselle mallille

⚠HUOMIO: Lohkaisunestolaitetta ei voida käyttää viisteitysleikkauksia tehtäessä.

► **Kuva22:** 1. Alusta 2. Lohkaisunestolaite

Lohkeamattomien leikkausten saavuttamiseksi voit käyttää lohkaisunestolaitetta. Lohkaisunesto laitteen asentamiseksi siirrä työkalun pohja täysin eteenpäin ja sovita se pohjaan työkalun pohjan takaosasta. Kun käytät suojakilpeä, asenna lohkaisunestolaite suojakilven päälle.

Suojalevy

Lisävaruste, vain alumiinipohjaiselle mallille

► **Kuva23:** 1. Suojalevy 2. Alusta

Käytä suojalevyä koristevarusteiden, muovien, jne. leikatessa. Se suojaa herkkiä ja arkoja pintoja vahingoittumiselta. Sovita se työkalun pohjan takaosaan.

KUNNOSSAPITO

⚠HUOMIO: Varmista aina ennen tarkastusta tai huoltoa, että työkalu on sammutettu ja akku irrotettu.

HUOMAUTUS: Älä koskaan käytä bensiiniä, ohenteita, alkoholia tai tms. aineita. Muutoin pinta voi halkeilla tai sen värit ja muoto voivat muuttua. Muutoin laitteeseen voi tulla värjäytyimiä, muodon vääristymiä tai halkeamia.

Tuotteen TURVALLISUUDEN ja LUOTETTAVUUDEN takaamiseksi korjaukset, muut huoltotyöt ja säädöt on teetettävä Makitan valtuutetussa huoltopisteessä Makitan varaosia käyttäen.

LISÄVARUSTEET

⚠HUOMIO: Seuraavia lisävarusteita tai laitteita suositellaan käytettäväksi tässä ohjeessa kuvatun Makita-työkalun kanssa. Muiden lisävarusteiden tai laitteiden käyttö voi aiheuttaa henkilövahinkoja. Käytä lisävarusteita ja -laitteita vain niiden käyttötarkoituksen mukaisesti.

Jos tarvitset apua tai yksityiskohtaisempia tietoja seuraavista lisävarusteista, ota yhteys paikalliseen Makitan huoltoon.

- Lehtisahan terät
- Kuusioavain 3
- Repeämäaita (ohjauskulma) sarja
- Lohkaisunestolaite
- Letku (pölynimuriin)
- Suojalevy
- Aito Makitan akku ja laturi

HUOMAA: Jotkin luettelossa mainitut varusteet voivat sisältyä työkalun toimitukseen vakiovarusteina. Ne voivat vaihdella maittain.

SPECIFIKĀCIJAS

Modelis:		JV101D	
Gājiena garums		18 mm	
Gājienu skaits minūtē		0 - 2 900 min ⁻¹	
Asmens veids		B veids	
Maks. zāģēšanas jauda	Koks	65 mm	
	Miksts tērauds	2 mm	
	Alumīnijs	4 mm	
Nominālais spriegums		Līdzstrāva 10,8 V	
Akumulatora kasetne		BL1015, BL1020B	BL1040B
Kopējais garums		232 mm	250 mm
Tīrsvars		1,7 kg	1,9 kg

- Nepārtrauktās izpētes un izstrādes programmas dēļ šeit uzrādītās specifikācijas var tikt mainītas bez brīdinājuma.
- Specifikācijas un akumulatora kasetne var atšķirties dažādās valstīs.
- Svārs ar akumulatora kasetni saskaņā ar EPTA-Procedure 01/2003

Paredzētā lietošana

Šis darbarīks ir paredzēts koka, plastmasas un dzelzes materiālu zāģēšanai. Tā kā ierīcei ir plašs piederumu un asmeņu klāsts, darbarīku var izmantot dažādiem mērķiem un tas ir ļoti labi piemērots ieliektu un apaļu griezumu zāģēšanai.

Trokšņa līmenis

Tipiskais A svērtais trokšņa līmenis noteikts saskaņā ar EN60745:

Skaņas spiediena līmeni (L_{pA}): 80 dB (A)

Skaņas jaudas līmeni (L_{WA}): 91 dB (A)

Mainīgums (K): 3 dB (A)

▲BRĪDINĀJUMS: Lietojiet ausu aizsargus.

Vibrācija

Vibrācijas kopējā vērtība (trīsasu vektora summa) noteikta atbilstoši EN60745:

Darba režīms: plātņu zāģēšana

Vibrācijas emisija ($a_{n,B}$): 7,0 m/s²

Mainīgums (K): 1,5 m/s²

Darba režīms: skārda lokšņu griešana

Vibrācijas emisija ($a_{n,M}$): 5,5 m/s²

Mainīgums (K): 1,5 m/s²

PIEZĪME: Paziņotā vibrācijas emisijas vērtība noteikta atbilstoši standarta pārbaudes metodei un to var izmantot, lai salīdzinātu vienu darbarīku ar citu.

PIEZĪME: Paziņoto vibrācijas emisijas vērtību arī var izmantot iedarbības sākotnējā novērtējumā.

▲BRĪDINĀJUMS: Reāli lietojot elektrisko darbarīku, vibrācijas emisija var atšķirties no paziņotās emisijas vērtības atkarībā no darbarīka izmantošanas veida.

▲BRĪDINĀJUMS: Lai aizsargātu lietotāju, nosakiet drošības pasākumus, kas pamatoti ar iedarbību reālos darba apstākļos (ņemot vērā visus ekspluatācijas cikla posmus, piemēram, laiku, kamēr darbarīks ir izslēgts un kad darbojas tukšgaitā, kā arī palaides laiku).

EK Atbilstības deklarācija

Tikai Eiropas valstīs

Makīta paziņo, ka šāds instruments(-i):

Mašīnas nosaukums: Bezvada figūrzāģis

Modeļa Nr./tips: JV101D

Atbilst sekojošām Eiropas Direktīvām: 2006/42/EC
Ražots saskaņā ar šādu standartu vai normatīvajiem dokumentiem: EN60745

Tehniskā lieta saskaņā ar 2006/42/EC ir pieejama:

Makīta, Jan-Baptist Vinkstraat 2, 3070, Beļģija
23.9.2015



Yasushi Fukaya

Direktors

Makīta, Jan-Baptist Vinkstraat 2, 3070, Beļģija

Vispārīgi elektrisko darbarīku drošības brīdinājumi

▲BRĪDINĀJUMS: Izlasiet visus drošības brīdinājumus un visus norādījumus. Brīdinājumu un norādījumu neievērošanas gadījumā var rasties elektriskās strāvas trieciens, ugunsgrēks un/vai nopietnas traumas.

Glabāiet visus brīdinājumus un norādījumus, lai varētu tajos ieskatīties turpmāk.

Termins „elektrisks darbarīks” brīdinājumus attiecas uz tādu elektrisko darbarīku, ko darbina ar elektrību (ar vadu), vai tādu, ko darbina ar akumulatoru (bez vada).

Drošības brīdinājumi bezvada figūrzāģa lietošanai

1. Strādājot turiet mehānisko darbarīku aiz izolētajām satveršanas virsmām, ja griezējinstrumentus varētu saskarties ar neredzamu elektroinstalāciju. Griezējinstrumentam saskaroties ar vadu zem sprieguma, spriegums var tikt pārnest uz mehāniskā darbarīka metāla daļām, un, iespējams, radīt operatoram elektrotraumu.
2. Ar skavām vai citā praktiskā veidā nostipriniet apstrādājamo materiālu un atbalstiet pret stabilu platformu. Turot materiālu ar roku vai pie sava ķermeņa, tas ir nestabilā stāvoklī, un jūs varat zaudēt kontroli pār to.
3. Vienmēr lietojiet aizsargbrilles. Parastās brilles vai saulesbrilles NAV aizsargbrilles.
4. Negrieziet naglas. Pirms sākt darbu pārbaudiet, vai apstrādājamajā materiālā nav naglas, un tās izņemiet.
5. Negrieziet pārāk lielu apstrādājamo materiālu.
6. Pirms griešanas pārbaudiet, vai starp apstrādājamo materiālu un pietiekams attālumš, lai asmens nepieskartos grīdai, darbapaldam u.c.
7. Darbarīku turiet cieši.
8. Pirms slēdža pārslēgšanas ieslēgtā stāvoklī pārliecinieties, ka asmens nepieskaras apstrādājamajam materiālam.
9. Netuviniet rokas kustīgajām daļām.
10. Neatstājiet darbarīku ieslēgtu. Darbarīku darbiniet vienīgi tad, ja turat to rokās.
11. Pirms asmens izņemšanas no apstrādājamā materiāla vienmēr izslēdziet darbarīku un nogaidiet, līdz asmens atstājas pavisam.
12. Nepieskarieties asmenim vai apstrādājamajam materiālam tūlīt pēc darba veikšanas; tie var būt ļoti karsti un var apdedzināt ādu.
13. Lieki nedarbiniet darbarīku bez slodzes.
14. Daži materiāli satur ķīmiskas vielas, kas var būt toksiskas. Izvairieties no putekļu ieelpošanas un to nokļūšanas uz ādas. Ievērojiet materiāla piegādātāja drošības datus.
15. Vienmēr izmantojiet materiālam un konkrētam gadījumam piemērotu putekļu masku/respiratoru.

SAGLABĀJIET ŠOS NORĀDĪJUMUS.

▲BRĪDINĀJUMS: NEPIEĻAUJIET to, ka labu iemaņu vai izstrādājuma labas pārziņāšanas (darbarīku atkārtoti ekspluatējot) rezultātā vairs stingri neievērojāt šī izstrādājuma drošības noteikumus. NEPAREIZI LIETOJOT darbarīku vai neievērojot šajā instrukcijā rokasgrāmatā minētos drošības noteikumus, var tikt gūtas smagas traumas.

Svarīgi drošības norādījumi par akumulatora kasetni

1. Pirms akumulatora lietošanas izlasiet visus norādījumus un brīdinājumus, kuri attiecas uz (1) akumulatora lādētāju, (2) akumulatoru un (3) ierīci, kurā tiek izmantots akumulators.
2. Neizjauciet akumulatoru.
3. Ja akumulatora darbības laiks kļūva ievērojami īsāks, nekavējoties pārtrauciet to izmantot. Citādi, tas var izraisīt pārkarsējumu, uzliesmojumu vai pat sprādzienu.
4. Ja elektroflīts nonāk acīs, izskalojiet tās ar tīru ūdens un nekavējoties griezieties pie ārsta. Tas var izraisīt redzes zaudēšanu.
5. Neradiet īssavienojumu akumulatora kasetnē:
 - (1) Nepieskarieties spaiļēm ar elektrību vadošiem materiāliem.
 - (2) Neuzglabājiēt akumulatoru kasetni kopā ar citiem metāla priekšmetiem, tādiem kā naglas, monētas u. c.
 - (3) Nepakļaujiēt akumulatora kasetni ūdens vai lietus iedarbībai.Akumulatora īssavienojums var radīt spēcīgu strāvas plūsmu, pārkarsānu, uzliesmojumu un pat sabojāt akumulatoru.
6. Neglabājiēt darbarīku un akumulatora kasetni vietās, kur temperatūra var sasniegt vai pārsniegt 50 °C (122 °F).
7. Nededziniet akumulatora kasetni, pat ja tā ir stipri bojāta vai pilnībā nolietota. Akumulatora kasetne uguni var eksplodēt.
8. Uzmanieties, lai neļautu akumulatoram nokrist un nepakļautu to sitienam.
9. Neizmantojiet bojātu akumulatoru.
10. Uz izmantotajiem litija jonu akumulatoriem attiecas likumdošanas prasības par bīstamiem izstrādājumiem.

Komerציālā transportēšanā, ko veic, piemēram, trešās puses, transporta uzņēmumi, jāievēro uz iesaiņojuma un marķējuma norādītās īpašās prasības.

Lai izstrādājumu sagatavotu nosūtīšanai, jāsažinās ar bīstamo materiālu speciālistu. Ievērojiet arī citus attiecināmos valsts normatīvus.

Vaļējus kontaktus nosedziet ar līmlenti vai citādi pārklājiēt, bet akumulatoru iesaiņojiet tā, lai sainī tas nevarētu izkustēties.
11. Ievērojiet vietējos noteikumus par akumulatora likvidēšanu.

⚠UZMANĪBU: Lietojiet tikai oriģinālos Makita akumulatorus. Ja lietojat neoriģinālus Makita akumulatorus vai pārveidotus akumulatorus, tie var uzsprāgt un izraisīt aizdegšanos, traumas un materiālos zaudējumus. Tikas anulēta arī Makita darbarīka un lādētāja garantija.

Ieteikumi akumulatora kalpošanas laika pagarināšanai

- Uzlādējiet akumulatora kasetni, pirms tā ir pilnībā izlādējusies. Vienmēr, kad ievērojat, ka darbarīka darba jauda zudusi, apturiet darbarīku un uzlādējiet akumulatora kasetni.
- Nekad neuzlādējiet pilnībā uzlādētu akumulatora kasetni. Pārmērīga uzlāde saīsina akumulatora kalpošanas laiku.
- Uzlādējiet akumulatora kasetni istabas temperatūrā 10 °C - 40 °C. Karstai akumulatora kasetnei pirms uzlādes ļaujiet atdzist.

FUNKCIJU APRAKSTS

⚠UZMANĪBU: Pirms darbarīka regulēšanas vai tā darbības pārbaudes vienmēr pārliecinieties, ka darbarīks ir izslēgts un akumulatora kasetne ir izņemta.

Akumulatora kasetnes uzstādīšana un izņemšana

⚠UZMANĪBU: Vienmēr pirms akumulatora kasetnes uzstādīšanas vai noņemšanas izslēdziet darbarīku.

⚠UZMANĪBU: Uzstādot vai izņemot akumulatora kasetni, darbarīku un akumulatora kasetni turiet cieši. Ja darbarīku un akumulatora kasetni nevar turēt cieši, tie var izkrist no rokām un radīt bojājumus darbarīkam un akumulatora kasetnei, kā arī izraisīt ievainojumus.

- **Att. 1:** 1. Sarkanās krāsas indikators 2. Pogas 3. Akumulatora kasetne

Lai izņemtu akumulatora kasetni, izvelciet to no darbarīka, pārbindot kasetnes priekšpusē esošo pogu.

Lai uzstādītu akumulatora kasetni, salāgojiet mēlīti uz akumulatora kasetnes ar rievu ietvarā un iebīdīet to vietā. Ievietojiet to līdz galam, līdz tā ar klikšķi nokļūst vietā. Ja pogas augšējā daļā redzams sarkanās krāsas indikators, tas nozīmē, ka tā nav pilnīgi fiksēta.

⚠UZMANĪBU: Vienmēr ievietojiet akumulatora kasetni tā, lai sarkanais indikators nebūtu redzams. Pretējā gadījumā tā var nejauši izkrist no darbarīka un izraisīt jums vai apkārtējiem traumas.

⚠UZMANĪBU: Neievietojiet akumulatora kasetni ar spēku. Ja kasetne neslīd ietvarā viegli, tā nav pareizi ielikta.

Akumulatora aizsardzības sistēma

Darbarīks ir aprīkots ar akumulatora aizsardzības sistēmu. Šī sistēma automātiski izslēdz jaudas padevi motoram, lai pagarinātu akumulatora kalpošanas laiku. Darbarīks automātiski pārstās darboties ekspluatācijas laikā, ja darbarīku un/vai akumulatoru pakļaus kādam no tālāk minētajiem apstākļiem:

Pārslodze:

Darbarīku ekspluatācijas laikā lieto tādā veidā, ka tas saista pārmērīgu strāvu. Šādā gadījumā izslēdziet darbarīku un pārtrauciet darbarīka pārslodzi izraisījušo darbu. Tad ieslēdziet darbarīku, lai atsāktu darbu.

Ja darbarīks neieslēdzas, akumulators ir pārkarsis. Šādā gadījumā ļaujiet akumulatoram atdzist pirms atkārtotas darbarīka ieslēgšanas.

Zema akumulatora jauda:

Akumulatora uzlādes līmenis ir pārāk zems, un darbarīks nedarbosies. Ja ieslēgsit darbarīku, motors vēlreiz sāks darboties, taču drīz apstāsies. Šādā gadījumā noņemiet akumulatoru un uzlādējiet.

Atlikušās akumulatora jaudas indikators

Tikai akumulatoru kasetnēm, kuru modeļa numura beigās ir burts „B”

- **Att. 2:** 1. Indikatora lampas 2. Pārbaudes poga

Nospiediet akumulatora kasetnes pārbaudes pogu, lai pārbaudītu akumulatora atlikušo uzlādes līmeni. Indikatori iedegsies uz dažām sekundēm.

Indikatora lampas		Atlikusī jauda
Iedegties	Izslēgts	
		No 75% līdz 100%
		No 50% līdz 75%
		No 25% līdz 50%
		No 0% līdz 25%

PIEZĪME: Reālā jauda var nedaudz atšķirties no norādītās atkarībā no lietošanas apstākļiem un apkārtējās temperatūras.

Zāģēšanas režīma izvēle

► **Att.3:** 1. Zāģēšanas darbības maiņas svira

Šo darbarīku var izmantot, zāģējot ar ekscentra kustību vai taisnā līnijā (augšup, lejup). Zāģējot ar ekscentra kustību, finierzāģa asmens tiek spiests uz priekšu ar zāģēšanas gājienu, ievērojami palielinot zāģēšanas ātrumu.

Lai mainītu zāģēšanas režīmu, zāģēšanas režīma regulēšanas sviru pārbīdīet vēlamajā zāģēšanas režīma stāvoklī. Lai izvēlētos atbilstošo zāģēšanas režīmu, skatiet tabulu.

Stāvoklis	Zāģēšanas darbība	Lietojums
0	Zāģēšana taisnā līnijā	Miksta tērauda, nerūsējošā tērauda un plastmasas griešanai. Precīziem griezumiem kokā un finierī.
I	Neliela griešana ekscentra režīmā	Miksta tērauda, alumīnija un cietkoksnes griešanai.
II	Vidēja lietuma ekscentra griešana	Koka un finiera zāģēšanai. Ātrai iegriešanai alumīnijā un mīkstā tēraudā.
III	Liela ekscentra griešana	Ātrai iegriešanai kokā un finierī.

Slēdža darbība

UZMANĪBU: Pirms akumulatora kasetnes uzstādīšanas darbarīkā vienmēr pārbaudiet, vai slēdža mēlīte darbojas pareizi un pēc atlaišanas atgriežas stāvoklī „OFF” (Izslēgts).

UZMANĪBU: Nestrādājot ar darbarīku, no A puses nospiediet atbloķēšanas pogu, lai slēdža mēlīti nobloķētu OFF (izslēgts) stāvoklī.

► **Att.4:** 1. Atbloķēšanas poga 2. Slēdža mēlīte

Lai nepieļautu slēdža mēlītes nejaušu nospiešanu, darbarīks ir aprīkots ar atbloķēšanas pogu. Lai iedarbinātu darbarīku, no B puses nospiediet atbloķēšanas pogu un pavelciet slēdža mēlīti. Darbarīka ātrums palielinās, palielinoties spiedienam uz slēdža mēlīti. Lai darbarīku apturētu, atlaidiet slēdža mēlīti. Pēc lietošanas no A puses iespiediet uz iekšu atbloķēšanas pogu.

MONTĀŽA

UZMANĪBU: Pirms darbarīka regulēšanas vai apkopes vienmēr pārliecinieties, ka darbarīks ir izslēgts un akumulatora kasetne ir izņemta.

Finierzāģa asmens uzstādīšana vai noņemšana

UZMANĪBU: Vienmēr notīriet skaidas vai netīrumus, kas pieķērušies finierzāģa asmenim un/vai tā turētājam. Ja asmeni nenotīra, tas var kļūt vaļīgs un smagi savainot cilvēkus.

UZMANĪBU: Nepieskarieties finierzāģa asmenim vai apstrādātajam materiālam tūlīt pēc apstrādes. Tie var būt ļoti karsti un apdedzināt ādu.

UZMANĪBU: Vienmēr stingri nostipriniet finierzāģa asmeni. Asmens nepietiekamas pievilšanas dēļ asmens var salūzt vai smagi traumēt kādu cilvēku.

UZMANĪBU: Izmantojiet tikai B veida finierzāģa asmeņus. Citu veidu asmeņus nevarēs pietiekami cieši pievilkt, tāpēc var smagi traumēt kādu cilvēku.

Lai uzstādītu finierzāģa asmeni, atlaidiet finierzāģa asmens turētāja skrūvi, ar sešstūru atslēgu griežot to pretēji pulksteņrādītāju kustības virzienam.

► **Att.5:** 1. Finierzāģa asmens turētājs 2. Skrūve 3. Sešstūru uzgriežņu atslēga

Finierzāģa asmens zobus pavēršot uz priekšu, finierzāģa asmeni ievietojiet turētājā līdz galam. Pārbaudiet, vai asmens aizmugurējā mala ievietojas veltnīti. Tad pievelciet skrūvi, griežot pulksteņrādītāju kustības virzienā, lai nostiprinātu asmeni.

► **Att.6:** 1. Skrūve 2. Veltnītis 3. Finierzāģa asmens
Lai noņemtu finierzāģa asmeni, iepriekš aprakstītās uzstādīšanas darbības izpildiet pretējā secībā.

PIEZĪME: Regulāri eļļojiet veltnīti.

Sešstūru uzgriežņu atslēgas uzglabāšana

► **Att.7:** 1. Āķis 2. Sešstūru uzgriežņu atslēga

Kad sešstūru uzgriežņu atslēga netiek lietota, uzglabājiet to, kā parādīts zīmējumā, lai to nepazaudētu. Vispirms atverē ievietojiet sešstūru atslēgu. Pēc tam iebīdīet to āķī, līdz fiksējas.

Putekļu aizsargs

UZMANĪBU: Vienmēr lietojiet aizsargbrilles, pat ja izmantojat darbarīku ar nolaistu putekļu aizsargu.

Nolaidiet putekļu aizsargu, lai novērstu skaidu izvievšanu. Tomēr, zāģējot slīpi, pilnībā paceliet aizsargu.

► **Att.8:** 1. Putekļu aizsargs

EKSPLUATĀCIJA

⚠UZMANĪBU: Pamatni vienmēr turiet cieši pie apstrādājamā materiāla. Ja netur cieši, asmens var salūzt un radīt smagu traumu.

⚠UZMANĪBU: Zāgējot izliekumus vai spirāles, darbarīku virziet ļoti lēni. Spiežot darbarīku, zāgējuma virsma var kļūt slīpa, bet finierzāga asmens — salūzt.

► **Att.9:** 1. Griešanas līnija 2. Pamatne

Darbarīku ieslēdziet tā, lai finierzāga asmens ne ar ko nesaskartos, un nogaidiet, līdz asmens sasniedz pilnu ātrumu. Tad pamatni vienmērīgi atbalstiet uz apstrādājamā materiāla un uzmanīgi virziet darbarīku pa iepriekš iezīmētu zāgēšanas līniju.

Slīpā zāgēšana

⚠UZMANĪBU: Pirms pamatnes noliekšanas vienmēr pārbaudiet, vai darbarīks ir izslēgts un akumulatora kasetne ir izņemta.

⚠UZMANĪBU: Pirms zāgēšanas slīpi putekļu aizsargu paceliet līdz galam.

Kad pamatne sasvērta, iespējams veikt slīpu griezumu jebkurā leņķī starp 0° un 45° (pa kreisi vai pa labi).

► **Att.10**

Ar sešstūru uzgriežņu atslēgu atlaidiet skrūvi pamatnes aizmugurē. Pamatni pārbīdīet tā, lai skrūve atrastos pamatnes krustveida šķēluma vidū.

► **Att.11:** 1. Sešstūru uzgriežņu atslēga 2. Skrūve 3. Pamatne

Pamatni sasveriet līdz vēlamajam leņķim. Motora korpuss malā ir atzīmētas slīpā leņķa iedaļas. Tad pievelciet skrūvi, lai nostiprinātu pamatni.

► **Att.12:** 1. Mala 2. Iedaļas

Priekšdaļas zāgējumi

► **Att.13:** 1. Sešstūru uzgriežņu atslēga 2. Skrūve 3. Pamatne

Ar sešstūru uzgriežņu atslēgu atlaidiet skrūvi pamatnes aizmugurē un pārbīdīet pamatni līdz galam atpakaļ. Tad pievelciet skrūvi, lai nostiprinātu pamatni.

Izgriezumi

Izgriezumus var veikt ar paņēmienu "Sākuma urbums" vai "Iegremdēšanas griezums".

Sākuma urbums

► **Att.14**

Lai zāgētu materiāla vidū bez ievada zāgējuma no malas, iepriekš izurbiet sākuma urbumu vismaz 12 mm diametrā. Finierzāga asmeni ievietojiet šajā atverē, lai sāktu zāgēt.

Iegremdēšanas griezums

► **Att.15**

Sākuma urbums vai ievada zāgējums nav nepieciešams tad, ja rīkosities šādi.

1. Darbarīku sasveriet augšup uz pamatnes priekšējās malas, finierzāga asmens galam atrodoties tieši virs apstrādājamā materiāla virsmas.

2. Darbarīku piespiediet tā, lai pamatnes priekšējā mala nekustētos, darbarīku ieslēdzot, tad lēni un uzmanīgi nolaidiet darbarīka aizmuguri.

3. Finierzāga asmenim iegriežoties apstrādājamajā materiālā, lēni nolaidiet darbarīka pamatni uz materiāla virsmas.

4. Zāgējiet kā parasti.

Malu apstrāde

► **Att.16**

Lai nolīdzinātu malas vai pielāgotu kontūras, finierzāga asmeni viegli pārlaidiet gar zāgējuma malām.

Metāla zāgēšana

Zāgējot metālu, vienmēr izmantojiet piemērotu dzesēšanas šķidrums (zāgēšanas eļļu). Ja to neizmanto, finierzāga asmens var nozīmīgi nolietoties. Dzesēšanas šķidrums lietošanas vietā var izziest apstrādājamā materiāla apakšējo malu.

Putekļu savākšana

► **Att.17:** 1. Šjūtene (papildpiederums) 2. Putekļu aizsargs

Tīra griešana ir iespējama, pievienojot šo darbarīku Makita putekļsūcējam.

Ievietojiet putekļsūcēja šjūteni atverē darbarīka aizmugurē.

Nolaidiet putekļu aizsargu pirms darba sākšanas.

PIEZĪME: Putekļu savākšana nav iespējama, veicot slīpo zāgēšanu.

Garenzāgēšanas ierobežotājs

Papildu piederumi

⚠UZMANĪBU: Pirms papildpiederumu uzstādīšanas vai noņemšanas vienmēr pārbaudiet, vai darbarīks ir izslēgts un akumulatora kasetne ir izņemta.

Taisni zāgējumi

Atkārtoti zāgējot līdz 160 mm platumā, izmantojiet garenzāgēšanas ierobežotāju, lai griezumus būtu ātrs, tīrs un taisns.

► **Att.18:** 1. Garenzāgēšanas ierobežotājs (vadotnes lineāls)

Lai uzstādītu, zāgējuma vadotni ar lejuvērstu vadotnes barjeru ievietojiet taisnstūra atverē pamatnes sānos. Zāgējuma vadotni iebīdīet līdz vēlamajam zāgēšanas platuma stāvoklim, tad pievelciet skrūvi, lai nostiprinātu.

► **Att.19:** 1. Sešstūru uzgriežņu atslēga 2. Skrūve 3. Garenzāgēšanas vadotne 4. Garenzāgēšanas ierobežotājs (vadotnes lineāls)

Apļveida griezumli

Zāģējot apļus vai lokus ar rādiusu līdz 170 mm, zāģējuma vadotni uzstādiēt šādi.

► **Att.20:** 1. Garenzāģēšanas ierobežotājs (vadotnes lineāls)

1. Zāģējuma vadotni ar augšpus vērstu vadotnes barjeru ievietojiet taisnstūra atverē pamatnes sānos.
2. Cirkulārās zāģēšanas vadtapu ievietojiet vienā no divām vadotnes barjeras atverēm. Lai vadtapu nostiprinātu, vītņoto rokturi uzskrūvējiet uz vadtapas.
- **Att.21:** 1. Vītņotais rokturis 2. Garenzāģēšanas vadotne 3. Garenzāģēšanas ierobežotājs (vadotnes lineāls) 4. Tapa
3. Zāģējuma vadotni bīdiēt līdz vēlamajam zāģēšanas rādiusam un pievelciet skrūvi, lai to nostiprinātu. Tad pamatni pārbīdiēt līdz galam uz priekšu.

PIEZĪME: Zāģējot apļus vai līknes, vienmēr izmantojiet finierzāģa asmeņus Nr. B-17, B-18, B-26 vai B-27.

Pretskabargu ierīce

Papildpiederums; tikai modelim ar alumīnija pamatni

UZMANĪBU: Pretskabargu ierīci nevar izmantot, veicot slīpu zāģēšanu.

► **Att.22:** 1. Pamatne 2. Pretskabargu ierīce

Lai zāģētu bez skabargām, varat izmantot pretskabargu ierīci. Lai šo ierīci uzstādītu, pārbīdiēt pamatni līdz galam uz priekšu un ievietojiet ierīci no darbarīka pamatnes aizmugures.

Izmantojot pārsega plāksni, uzstādiēt pretskabargu ierīci uz pārsega plāksnes.

Pārsega plāksne

Papildpiederums; tikai modelim ar alumīnija pamatni

► **Att.23:** 1. Pārsega plāksne 2. Pamatne

Izmantojiet pārsega plāksni, griežot dekoratīvos finierus, plastmasu u. c. Tā aizsargās trauslas virsmas pret bojājumiem. Uzstādiēt to darbarīka pamatnes aizmugurē.

APKOPE

UZMANĪBU: Pirms darbarīka pārbaudes vai apkopes vienmēr pārliecinieties, ka darbarīks ir izslēgts un akumulatora kasetne ir izņemta.

IEVĒRĪBA! Nekad neizmantojiet gazolinu, benzīnu, atšķaidītāju, spirtu vai līdzīgus šķidrumus. Tas var radīt izbalēšanu, deformāciju vai plaisas.

Lai saglabātu izstrādājuma DROŠU un UZTICAMU darbību, remontdarbus, apkopi un regulēšanu uzticiet veikt tikai Makita pilnvarotam vai rūpnīcas apkopes centram, un vienmēr izmantojiet tikai Makita rezerves daļas.

PAPILDU PIEDERUMI

UZMANĪBU: Šādi piederumi un papildierīces tiek ieteiktas lietošanai ar šajā rokasgrāmatā aprakstīto Makita darbarīku. Izmantojot citus piederumus vai papildierīces, var tikt radīta trauma gūšanas bīstamība. Piederumu vai papildierīci izmantojiet tikai paredzētajam mērķim.

Ja jums vajadzīga palīdzība vai precīzāka informācija par šiem piederumiem, vērsieties savā tuvākajā Makita apkopes centrā.

- Figūrzāģa asmeņi
- Sešstūru uzgriežņu atslēga 3
- Garenzāģēšanas ierobežotāja (vadotnes lineāla) komplekts
- Pretskabargu ierīce
- Šjūtene (putekšsūcējams)
- Pārsega plāksne
- Makita oriģinālais akumulators un lādētājs

PIEZĪME: Daži sarakstā norādītie izstrādājumi var būt iekļauti instrumenta komplektācijā kā standarta piederumi. Tie dažādās valstīs var būt atšķirīgi.

SPECIFIKACIJOS

Modelis:		JV101D	
Smūgio ilgis		18 mm	
Smūgių per minutę		0–2 900 min ⁻¹	
Geležtės tipas		B tipas	
Maks. pjovimo galia	Medis	65 mm	
	Mažaanglis plienas	2 mm	
	Aliuminis	4 mm	
Vardinė įtampa		Nuol. sr. 10,8 V	
Akumuliatoriaus kasetė		BL1015, BL1020B	BL1040B
Bendrasis ilgis		232 mm	250 mm
Grynasis svoris		1,7 kg	1,9 kg

- Atliekame tęstinus tyrimus ir nuolatos tobuliname savo gaminius, todėl čia pateikiamos specifikacijos gali būti keičiamos be įspėjimo.
- Įvairiose šalyse specifikacijos ir akumuliatoriaus kasetė gali skirtis.
- Svoris su akumuliatoriaus kasete pagal 2003-01 EPTA procedūrą

Numatytoji paskirtis

Šis įrankis skirtas medienai, plastikui ir metalui pjauti. Didelis priedų ir pjūklo geležčių asortimentas šį įrankį leidžia naudoti įvairiems tikslams; jis puikiai tinka lenktiems arba apskritiminiams pjūviams daryti.

Triukšmas

Įprastas triukšmo A lygis, nustatytas pagal EN60745:
Garso slėgio lygis (L_{pA}): 80 dB (A)
Garso galios lygis (L_{WA}): 91 dB (A)
Paklaida (K): 3 dB (A)

▲ISPĖJIMAS: Dėvėkite ausų apsaugą.

Vibracija

Vibracijos bendroji vertė (trიაšio vektorius suma) nustatyta pagal EN60745 standartą:
Darbo režimas: lentų pjovimas
Vibracijos emisija ($a_{h,B}$): 7,0 m/s²
Paklaida (K): 1,5 m/s²
Darbo režimas: metalo lakštų pjovimas
Vibracijos emisija ($a_{h,M}$): 5,5 m/s²
Paklaida (K): 1,5 m/s²

PASTABA: Paskelbtasis vibracijos emisijos dydis nustatytas pagal standartinį testavimo metodą ir jį galima naudoti vienam įrankiui palyginti su kitu.

PASTABA: Paskelbtasis vibracijos emisijos dydis taip pat gali būti naudojamas preliminariai įvertinti vibracijos poveikį.

▲ISPĖJIMAS: Faktiškai naudojant elektrinį įrankį, keliamos vibracijos dydis gali skirtis nuo paskelbtojo dydžio, priklausomai nuo būdų, kuriais yra naudojamas šis įrankis.

▲ISPĖJIMAS: Siekdami apsaugoti operatorių, būtinai įvertinkite saugos priemones, remdamiesi vibracijos poveikio įvertinimu esant faktinėms naudojimo sąlygoms (atsižvelgdami į visas darbo ciklo dalis, pavyzdžiui, ne tik kiek laiko įrankis veikia, bet ir kiek kartų jis yra išjungiamas bei kai jis veikia be apkrovų).

ES atitikties deklaracija

Tik Europos šalims

Bendrovė „Makita“ atsakingai pareiškia, kad šis įrenginys (-iai):
Mechanizmo pavadinimas: Belaidis metalo pjūklelis
Modelio Nr. / tipas: JV101D
Atitinka šias Europos direktyvas: 2006/42/EC
Yra pagaminti pagal šį standartą arba normatyvinius dokumentus: EN60745
Techninį dokumentą pagal 2006/42/EC galima gauti iš: Makita, Jan-Baptist Vinkstraat 2, 3070, Belgium (Belgija)
23.9.2015

Yasushi Fukaya

Yasushi Fukaya
Direktorius
Makita, Jan-Baptist Vinkstraat 2, 3070, Belgium (Belgija)

Bendrieji įspėjimai dirbant elektriniais įrankiais

▲ISPĖJIMAS: Perskaitykite visus saugos įspėjimus ir visą instrukciją. Nesilaikydami toliau pateiktų įspėjimų ir instrukcijų galite patirti elektros smūgį, gaisrą ir (arba) sunkų sužeidimą.

Išsaugokite visus įspėjimus ir instrukcijas, kad galėtumėte jas peržiūrėti ateityje.

Terminas „elektrinis įrankis“ pateiktuose įspėjimuose reiškia į maitinimo tinklą jungiamą (laidinį) elektrinį įrankį arba akumuliatoriaus maitinamą (belaidį) elektrinį įrankį.

Įspėjimai dėl belaidžio metalo pjūklelio saugos

1. Atlikdami darbus, kurių metu pjovimo dalys gali paliesti paslėptus laidus, laikykite elektrinį įrankį tik už izoliuotų, laikyti skirtų paviršių. Pjovimo antgaliai prisilietus prie laido, kuriuo teka elektros srovė, neizoliuotos metalinės elektrinio įrankio dalys gali sukelti elektros smūgį ir nutrenkti operatorių.
2. Ruošinį ant stabilios platformos tvirtinkite spaustuvais arba kitais parankiais būdais. Laikant ruošinį rankomis arba prispaudus prie kūno, jis yra nestabilus, todėl galite prarasti jo kontrolę.
3. Būtinai naudokite apsauginius akinius. Įprastiniai akiniai ar akiniai nuo saulės NĖRA apsauginiai akiniai.
4. Nepjaukite vinių. Prieš dirbdami apžiūrėkite, ar ruošinyje nėra vinių, ir jas išimkite.
5. Nepjaukite didelių matmenų ruošinio.
6. Prieš įjungdami patikrinkite, ar tarpas po ruošiniu yra pakankamas, kad ašmenys neįpjautų grindų, darbastalio ir pan.
7. Tvirtai laikykite įrankį.
8. Prieš įjungdami jungiklį, patikrinkite, ar geležtė neličia ruošinio.
9. Žiūrėkite, kad rankos būtų kuo toliau nuo judamųjų dalių.
10. Nepalikite veikiančio įrankio. Įjungtas įrankis turi būti laikomas rankose.
11. Prieš išimdami geležtę iš ruošinio, visada išjunkite įrankį ir palaukite, kol geležtė visiškai sustos.
12. Nelieskite peilio arba ruošinio iškart po naudojimo; jie gali būti itin karšti ir nudeginti odą.
13. Be reikalo nenaudokite įrankio be apkrovos.
14. Kai kuriose medžiagose yra chemikalų, kurie gali būti nuodingi. Saugokitės, kad neįkvėptumėte dulkių ir nesiliestumėte oda. Vadovaukitės medžiagų tiekėjo saugos duomenimis.
15. Atsižvelgdami į apdirbamą medžiagą ir darbo pobūdį, būtinai užsidėkite apsaugos nuo dulkių kaukę / respiratorių.

SAUGOKITE ŠIAS INSTRUKCIJAS.

▲ISPĖJIMAS: NELEISKITE, kad patogumas ir gaminio pažinimas (įgyjamas pakartotinai naudojant) susilpnintų griežtą saugos taisyklių, taikytinų šiam gaminiui, laikymąsi. Dėl NETINKAMO NAUDOJIMO arba saugos taisyklių, kurios pateiktos šioje instrukcijoje, nesilaikymo galima rimtai susižeisti.

Svarbios saugos instrukcijos, taikomos akumuliatoriaus kasetei

1. Prieš naudodami akumuliatoriaus kasetę, perskaitykite visas instrukcijas ir perspėjimus ant (1) akumuliatorių įkroviklio, (2) akumuliatorių ir (3) akumuliatorių naudojančio gaminio.
2. Neardykite akumuliatoriaus kasetės.
3. Jei įrankio darbo laikas žymiai sutrumpėjo, nedelsdami nutraukite darbą su įrankiu. Tai gali kelti perkaitimo, nudegimų ar net sprogdimo pavojų.
4. Jei elektrolitas pateko į akis, plaukite jas tyru vandeniu ir nedelsdami kreipkitės į gydytoją. Gali kilti regėjimo praradimo pavojus.
5. Neužtrumpinkite akumuliatoriaus kasetės:
 - (1) Nelieskite kontaktų degiomis medžiagomis.
 - (2) Venkite laikyti akumuliatoriaus kasetę kartu su kitais metaliniais daiktais, pavyzdžiui, vinimis, monetomis ir pan.
 - (3) Saugokite akumuliatoriaus kasetę nuo vandens ir lietaus.Trumpais jungimas akumuliatoriuje gali sukelti stiprią srovę, perkaitimą, galimus nudegimus ar net akumuliatoriaus gedimą.
6. Nelaikykite įrankio ir akumuliatoriaus kasetės vietoje, kur temperatūra gali pasiekti ar viršyti 50 °C.
7. Nedeginkite akumuliatoriaus kasetės, net jei yra stipriai pažeista ar visiškai susidėvėjusi. Ugnyje akumuliatoriaus kasetė gali sprogti.
8. Saugokite akumuliatorių nuo kritimo ir smūgių.
9. Nenaudokite pažeisto akumuliatoriaus.
10. Įdėtoms ličio jonų akumuliatoriams taikomi Pavojųjų prekių teisės akto reikalavimai. Komerčinis transportas, pvz., trečiųjų šalių, prekių vežimo atstovų, turi laikytis specialaus reikalavimo ant pakuotės ir ženklavimo. Norėdami paruošti siųstiną prekę, pasitarkite su pavojųjų medžiagų specialistu. Be to, laikykitės galimai išsamesnių nacionalinių reglamentų. Užklijuokite juosta arba padenkite atvirus kontaktus ir supakuokite akumuliatorių taip, kad ji pakuotėje nejudėtų.
11. Vadovaukitės vietos įstatymais dėl akumuliatorių išmetimo.

SAUGOKITE ŠIAS INSTRUKCIJAS.

▲PERSPĖJIMAS: Naudokite tik originalų „Makita“ akumuliatorių. Neoriginalaus „Makita“ arba pakeisto akumuliatoriaus naudojimas gali nulemti gaisrą, asmens sužalojimą ir pažeidimą. Tai taip pat panaikina „Makita“ suteikiamą „Makita“ įrankio ir įkroviklio garantiją.

Patarimai, ką daryti, kad akumuliatorius veiktų kuo ilgiau

1. Pakraukite akumuliatoriaus kasetę prieš jai visiškai išsikraunant. Visuomet nustokite naudoti įrankį ir pakraukite akumuliatoriaus kasetę, kai pastebite, kad įrankio galia sumažėjo.
2. Niekada nekraukite iki galo įkrautos akumuliatoriaus kasetės. Perkraunant trumpėja akumuliatoriaus eksploatacijos laikas.
3. Akumuliatoriaus kasetę kraukite esant kambario temperatūrai 10 °C - 40 °C. Prieš pradėdami krauti, leiskite įkaitusiai akumuliatoriaus kasetei atvėsti.

VEIKIMO APRAŠYMAS

▲PERSPĖJIMAS: Prieš pradėdami reguliuoti arba tikrinti įrankio veikimą, visuomet būtinai išjunkite įrankį ir išimkite akumuliatoriaus kasetę.

Akumuliatoriaus kasetės uždėjimas ir nuėmimas

▲PERSPĖJIMAS: Prieš įdėdami arba išimdami akumuliatoriaus kasetę, visada išjunkite įrankį.

▲PERSPĖJIMAS: Įdėdami arba išimdami akumuliatoriaus kasetę, tvirtai laikykite įrankį ir akumuliatoriaus kasetę. Jeigu įrankį ir akumuliatoriaus kasetę laikysite netvirtai, jie gali iššlysti iš jūsų rankų, todėl įrankis ir akumuliatoriaus kasetė gali būti sugadinti, o naudotojas sužalotas.

► **Pav.1:** 1. Raudonas indikatorius 2. Mygtukas 3. Akumuliatoriaus kasetė

Jei norite išimti akumuliatoriaus kasetę, ištraukite ją iš įrankio, stumdami mygtuką, esantį kasetės priekyje.

Jei norite įdėti akumuliatoriaus kasetę, sulygiuokite liežuvių ant akumuliatoriaus kasetės su grioveliu korpuse ir įstumkite j į jai skirtą vietą. Įdėkite iki galo, kol spragtelėdama užsikims. Jeigu matote raudoną indikatorių viršutinėje mygtuko pusėje, ji nėra visiškai užfiksuota.

▲PERSPĖJIMAS: Akumuliatoriaus kasetę visada įkiškite iki galo, kol nebematysite raudono indikatoriaus. Priešingu atveju ji gali atsitiktinai iškristi iš įrankio, sužeisti jus arba aplinkinius.

▲PERSPĖJIMAS: Nekiškite akumuliatoriaus kasetės įėga. Jeigu kasetė sunkiai lenda, ją kišate netinkamai.

Akumuliatoriaus apsaugos sistema

Įrankyje įrengta akumuliatoriaus apsaugos sistema. Ši sistema automatiškai atjungia variklio maitinimą, kad paigėtų akumuliatoriaus naudojimo laikas.

Įrankis automatiškai išsijungs darbo metu, esant vienai iš šių įrankio ir (arba) akumuliatoriaus darbo sąlygų:

Perkrautas:

įrankis naudojamas taip, kad jame neįprastai padidėja elektros srovė.

Tokiu atveju atleiskite įrankio gaiduką ir nutraukite darbą, dėl kurio kilo įrankio perkrova. Po to vėl įjunkite įrankį.

Jeigu įrankis neįsijungia, reiškia perkaito akumuliatoriaus. Tokiu atveju palaukite, kol akumuliatorius atvės, paskui vėl galite įjungti įrankį.

Žema akumuliatoriaus įtampa:









Likęs akumuliatoriaus įkrovos lygis per žemas, todėl įrankis neveiks. Įjungus įrankį, variklis pradeda veikti, bet netrukus vėl išsijungia. Tokiu atveju išimkite akumuliatorių ir jį įkraukite.

Likusios akumuliatoriaus galios rodymas

Taikoma tik akumuliatorių kasetėms, kurių modelio numerio gale yra „B“

► **Pav.2:** 1. Indikatorijų lemputės 2. Tikrinimo mygtukas

Paspauskite akumuliatoriaus kasetės tikrinimo mygtuką, kad būtų rodoma likusi akumuliatoriaus energija. Maždaug trims sekundėms užsidegs indikatorijų lemputės.

Indikatorijų lemputės		Likusi galia
Šviečia	Nešviečia	
		75% - 100%
		50% - 75%
		25% - 50%
		0% - 25%

PASTABA: Rodmuo gali šiek tiek skirtis nuo faktinės energijos lygio – tai priklauso nuo naudojimo sąlygų ir aplinkos temperatūros.

Pjovimo režimo parinkimas

► **Pav.3:** 1. Pjovimo režimo perjungimo svirtelė

Šis įrankis gali veikti švytuoklinio arba tiesiaieigio (aukštytn / žemyn) pjovimo režimu. Kai nustatytas švytuoklinis režimas, pjovimo takto metu siaurapjūklio geležtė stumiami į priekį, todėl labai padidėja pjovimo greitis.

Norėdami pakeisti pjovimo režimą, tiesiog pasukite pjovimo režimo perjungimo svirtelę į reikiamo režimo padėtį. Toliau pateikta lentelė padės pasirinkti tinkamą pjovimo režimą.

Padėtis	Pjovimo režimas	Paskirtis
0	Tiesiaieigio pjovimo režimas	Skirtas mažaangliam plienui, nerūdijančiajam plienui ir plastikui pjauti.
		Skirtas medienai ir fanerai švariai pjauti.
I	Mažos amplitudės švytuoklinio pjovimo režimas	Skirtas mažaangliam plienui, aliuminiui ir kietajai medienai pjauti.
II	Vidutinės amplitudės švytuoklinio pjovimo režimas	Skirtas medienai ir fanerai pjauti.
		Skirtas aliuminiui ir mažaangliam plienui sparčiai pjauti.
III	Didelės amplitudės švytuoklinio pjovimo režimas	Skirtas medienai ir fanerai sparčiai pjauti.

Jungiklio veikimas

▲PERSPĖJIMAS: Prieš montuodami akumulatoriaus kasetę įrankyje, visuomet patikrinkite, ar gaidukas tinkamai veikia ir atleistas grįžta į išjungimo padėtį „OFF“.

▲PERSPĖJIMAS: Kai įrankiu nedirbate, nuspauskite atlaisvinimo mygtuką iš „A“ pusės, kad gaidukas užsifiksuotų IŠJUNGIMO (OFF) padėtyje.

► **Pav.4:** 1. Atlaisvinimo mygtukas 2. Gaidukas

Siekiant apsaugoti nuo atsiktinio jungiklio gaiduko paspaudimo, įrengtas atleidimo mygtukas. Norėdami įjungti įrankį, nuspauskite atleidimo mygtuką iš „B“ pusės ir paspauskite jungiklio gaiduką. Stipriau spaudžiant gaiduką, įrankio veikimo greitis didėja. Norėdami išjungti, atleiskite svirtinį gaiduką. Pabaigę darbą, visada nuspauskite atleidimo mygtuką iš „A“ pusės.

SURINKIMAS

▲PERSPĖJIMAS: Prieš darydami ką nors įrankiui visada patikrinkite, ar įrenginys išjungtas, o akumuliatorių kasetė – nuimta.

Siaurapjūklio geležtės įdėjimas arba išėmimas

▲PERSPĖJIMAS: Visada nuvalykite pjuvenas arba kitas medžiagas, prikibusias prie siaurapjūklio geležtės ir (arba) jos laikiklio. Jei nenuvalysite, geležtė gali būti per silpnai įtvirtinta, todėl galite sunkiai susižaloti.

▲PERSPĖJIMAS: Nelieskite siaurapjūklio geležtės arba ruošinio ką tik baigę pjauti. Jie gali būti labai įkaitę ir nudeginti odą.

▲PERSPĖJIMAS: Visada patikimai įtvirtinkite siaurapjūklio geležtę. Jei geležtė per silpnai priveržta, ji gali lūžti arba sunkiai sužaloti.

▲PERSPĖJIMAS: Naudokite tik B tipo siaurapjūklių geležtes. Naudojant ne B tipo siaurapjūklių geležtes, jų neįmanoma tinkamai priveržti, todėl kyla pavojus sunkiai susižaloti.

Jei norite įdėti siaurapjūklio geležtę, šešiabriauniu raktu sukdami prieš laikrodžio rodyklę atlaisvinkite varžtą siaurapjūklio geležtės laikiklyje.

► **Pav.5:** 1. Siaurapjūklio geležtės laikiklis 2. Varžtas 3. Šešiabriaunis raktas

Nukreipę geležtės dantis į priekį, siaurapjūklio geležtę kiek galima giliau įkiškite į jos laikiklį. Patikrinkite, ar galinis geležtės kraštas įsistatė į ritinėlį. Tada, sukdami pagal laikrodžio rodyklę, priveržkite varžtą, kad įtvirtintumėte geležtę.

► **Pav.6:** 1. Varžtas 2. Ritinėlis 3. Siaurapjūklis geležtė

Jei norite išimti siaurapjūklio geležtę, atlikite įdėjimo procedūrą atvirkščia tvarka.

PASTABA: Ritinėlį retkarčiais sutepkite.

Šešiabriaunio raktų laikymas

► **Pav.7:** 1. Kablys 2. Šešiabriaunis raktas

Nenaudojamą šešiabriaunį raktą laikykite taip, kaip parodyta paveikslėlyje, kad nepamestumėte. Pirmiausiai įkiškite šešiakampį raktą į skylę. Paskui stumkite jį į kilpą, kol jis bus užfiksuotas.

Gaubtelis nuo dulkių

▲PERSPĖJIMAS: Net ir dirbdami su nuleistu gaubteliu nuo dulkių, visada būkite užsidėję apsauginius akinius.

Nuleiskite gaubtelį nuo dulkių, kad neskraidytų pjuvenos. Tačiau darydami įstrižuosius pjūvius, jį iki galo pakelkite.

► **Pav.8:** 1. Gaubtelis nuo dulkių

NAUDOJIMAS

▲PERSPĖJIMAS: Pagrindą visada laikykite lygiai priglaustą prie ruošinio. Kitaip siaurapjūklio geležtė gali lūžti ir sunkiai sužaloti.

▲PERSPĖJIMAS: Darydami lenktus arba įvįjus pjūvius, įrankį stumkite labai lėtai. Jei įrankį stumsite per didelę jėgą, paviršius gali būti nelygiai nupjautas, o siaurapjūklio geležtė – lūžti.

► **Pav.9:** 1. Pjovimo linija 2. Pagrindas

Įjunkite įrankį – siaurapjūklio geležtė turi neliesiti ruošinio – ir palaukite, kol jis pradės veikti visu greičiu. Tada lygiai padėkite pagrindą ant ruošinio ir atsargiai stumkite įrankį į priekį, išilgai iš anksto pažymėtos pjovimo linijos.

Istrižųjų pjūvių darymas

▲PERSPĖJIMAS: Prieš pakreipdami pagrindą, visada patikrinkite, ar įrankis išjungtas, o akumulatoriaus kasetė išimta.

▲PERSPĖJIMAS: Prieš darydami įstrižuosius pjūvius, iki galo pakelkite gaubtelį nuo dulkių.

Pakreipus pagrindą, galima daryti bet kokio posvyrio – nuo 0° iki 45° (į kairę arba dešinę) – įstrižuosius pjūvius.

► **Pav.10**

Šešiabriauniu raktu atlaisvinkite varžtą, esantį priešingoje pagrindo pusėje. Pastumkite pagrindą taip, kad varžtas atsidurtų kryžiaus formos angos, esančios pagrindė, centre.

► **Pav.11:** 1. Šešiabriaunis raktas 2. Varžtas 3. Pagrindas

Pakreipkite pagrindą reikiamu kampu. Padalos ant variklio korpuso krašto nurodo pakreipimo kampa. Tada priveržkite varžtą, kad įtvirtintumėte pagrindą.

► **Pav.12:** 1. Kraštas 2. Padalos

Tiesūs pjūviai iš priekio

► **Pav.13:** 1. Šešiabriaunis raktas 2. Varžtas 3. Pagrindas

Šešiabriauniu raktu atlaisvinkite varžtą, esantį priešingoje pagrindo pusėje, ir iki galo atitraukite pagrindą. Tada priveržkite varžtą, kad įtvirtintumėte pagrindą.

Išpjovos

Išpjovas galima daryti dviem būdais: išgręžus pradinę skylę arba įleidžiamuoju pjovimu.

Pradinės skylės išgręžimas

► **Pav.14**

Jei norite padaryti vidinę išpjovą be pradinės įpjovos iš krašto, reikia iš anksto išgręžti pradinę 12 mm arba didesnio skersmens skylę. Įkiškite siaurapjūklio geležtę į šią skylę ir pradėkite pjauti.

Įleidžiamasis pjovimas

► **Pav.15**

Jei tiksliai atliksite toliau nurodytus veiksmus, nereikės gręžti pradinės skylės arba daryti pradinės įpjovos.

1. Atmėrkite priekiniu pagrindu kraštą, pakoreguoti įrankį į viršų taip, kad siaurapjūklio geležtės galiukas būtų šiek tiek virš ruošinio paviršiaus.

2. Spauskite įrankį tiek, kad priekinis pagrindo kraštas nepajudėtų, kai jungsite įrankį ir lėtai nuleisite jo galą.

3. Kai siaurapjūklio geležtė įpjau ruošinį, lėtai nuleiskite įrankio pagrindą ant ruošinio paviršiaus.

4. Pjūvį baikite įprastu būdu.

Kraščių apdaila

► **Pav.16**

Norėdami apipjauti kraštus arba pakoreguoti matmenis, siaurapjūklio geležtę švelniai stumkite palei pjūvio kraštą.

Metalo pjovimas

Pjaudami metalą, visada naudokite tinkamą aušinimo priemonę (pjovimo alyvą). Kitaip siaurapjūklio geležtė dėvėsis gerokai sparčiau. Sutepus ruošinio apačią, aušinimo priemonės nereikia.

Pjuvenų nusiurbimas

► **Pav.17:** 1. Žarna (papildomas priedas) 2. Gaubtelis nuo dulkių

Kad pjaunant nebūtų šukščių, šį įrankį galima prijungti prie „Makita“ dulkių siurblio.

Įkiškite dulkių siurblio žarną į angą įrankio gale.

Prieš naudodami, nuleiskite gaubtelį nuo dulkių.

PASTABA: Dulkių nusiurbimo negalima naudoti, kai daromi įstrižieji pjūviai.

Pjovimo kreipiklis

Pasirenkamas priedas

▲PERSPĖJIMAS: Prieš montuodami arba nuimdami priedus, visada patikrinkite, ar įrankis yra išjungtas, o akumulatoriaus kasetė išimta.

Tiesūs pjūviai

Jei reikalingi keli pjūviai 160 mm arba mažesniu atstumu nuo krašto, naudokite pjovimo kreipiklį, kuris leidžia pjauti greitai, švariai ir tiesiai.

► **Pav.18:** 1. Pjovimo kreipiklis (kreipiamoji liniuotė)

Jei norite įtaisyti pjovimo kreipiklį, įkiškite jį į stačiakampę angą pagrindo šone, laikydami kreipiamąją pokštelę nukreiptą žemyn. Pastumkite pjovimo kreipiklį iki reikiamo pjovimo pločio padėties, tada priveržkite jį varžtu.

► **Pav.19:** 1. Šešiabriaunis raktas 2. Varžtas 3. Kreipiamoji pokštelė 4. Pjovimo kreipiklis (kreipiamoji liniuotė)

Apskritiminiai pjūviai

Kai pjaunate apskritimu arba lanku, kurio spindulys 170 mm arba mažesnis, pjovimo kreipiklį įtaisykite toliau nurodytu būdu.

► **Pav.20:** 1. Pjovimo kreipiklis (kreipiamoji liniuotė)

1. Įkiškite pjovimo kreipiklį į stačiakampę angą pagrindo šone, laikydami kreipiamąją plokštelę nukreiptą aukštyn.

2. Per vieną iš dviejų angų, esančių kreipiamosios plokštelėje, perkirkite apskritimino pjūvio kreipiklį. Prisukite rankenėlę su sriegiu prie smeigės, kad ją įtvirtintumėte.

► **Pav.21:** 1. Rankenėlė su sriegiu 2. Kreipiamoji plokštelė 3. Pjovimo kreipiklis (kreipiamoji liniuotė) 4. Smeigė

3. Pastumkite pjovimo kreipiklį iki reikiamo pjovimo spindulio padėties, tada priveržkite jį varžtu. Paskui nustumkite pagrindą iki galo į priekį.

PASTABA: Darydami apskritiminius arba lanko formos pjūvius, visada naudokite siaurapjūklių geležtes Nr. B-17, B-18, B-26 arba B-27.

Nuo skilimo saugantis įtaisas

Pasirenkamas priedas, skirtas tik aliuminio pagrindo modeliui

▲PERSPĖJIMAS: Nuo skilimo saugančio įtaiso negalima naudoti darant įstrižuosius pjūvius.

► **Pav.22:** 1. Pagrindas 2. Nuo skilimo saugantis įtaisas

Norint atlikti tolygius pjūvius, galima naudoti nuo skilimo saugantį įtaisą. Jeigu norite įtaisyti nuo skilimo saugantį įtaisą, įrenginio pagrindą iki galo pastumkite į priekį ir įtaisą montuokite iš įrenginio pagrindo galo.

Kai naudojate dengiamąją plokštelę, nuo skilimo saugantį įtaisą montuokite ant dengiamosios plokštės.

Dengiamoji plokštė

Pasirenkamas priedas, skirtas tik aliuminio pagrindo modeliui

► **Pav.23:** 1. Dengiamoji plokštė 2. Pagrindas

Dengiamąją plokštelę naudokite pjaudami dekoratyvinę apdailą, plastmasę ir kt. Ji apsaugo jautrius ar dailius paviršius nuo pažeidimo. Ją montuokite ant įrankio pagrindo priešingos pusės.

TECHNINĖ PRIEŽIŪRA

▲PERSPĖJIMAS: Visuomet įsitikinkite, ar įrankis yra išjungtas ir akumuliatoriaus kasetė yra nuimta prieš atlikdami apžiūrą ir priežiūrą.

PASTABA: Niekada nenaudokite gazolino, benzino, tirpiklio, spirito arba panašių medžiagų. Gali atsirasti išblukimų, deformacijų arba įtrūkimų.

Kad gaminyt būtų SAUGUS ir PATIKIMAS, jį taisyti, apžiūrėti ar vykdyti bet kokią kitą priežiūrą ar derinimą turi įgaliotasis kompanijos „Makita“ techninės priežiūros centras; reikia naudoti tik kompanijos „Makita“ pagamintas atsargines dalis.

PASIRENKAMI PRIEDAI

▲PERSPĖJIMAS: Šiuos papildomus priedus arba įtaisyti rekomenduojama naudoti su šioje instrukcijoje nurodytu „Makita“ bendrovės įrankiu. Naudojant bet kokius kitus papildomus priedus arba įtaisyti, gali kilti pavojus sužeisti žmones. Naudokite tik nurodytam tikslui skirtus papildomus priedus arba įtaisyti.

Jeigu norite daugiau sužinoti apie tuos priedus, kreipkitės į artimiausią „Makita“ techninės priežiūros centrą.

- Siaurapjūklis ašmenys
- Šešiakampis veržliaraktis Nr. 3
- Kreiptuvo (kreipiamoji liniuotė) komplektas
- Nuo skilimo saugantis įtaisas
- Žarna (dulkių siurbliui)
- Dengiamoji plokštė
- Originalus „Makita“ akumuliatorius ir įkroviklis

PASTABA: Kai kurie sąraše esantys priedai gali būti pateikti įrankio pakuotėje kaip standartiniai priedai. Jie įvairiose šalyse gali skirtis.

TEHNILISED ANDMED

Mudel:	JV101D	
Käigu pikkus	18 mm	
Käikude arv minutis	0 - 2 900 min ⁻¹	
Lehe tüüp	B-tüüp	
Max löikevõimekus	Puit	65 mm
	Karastamata teras	2 mm
	Alumiinium	4 mm
Nimipinge	Alalisvool 10,8 V	
Akukassett	BL1015, BL1020B	BL1040B
Üldpikkus	232 mm	250 mm
Netokaal	1,7 kg	1,9 kg

- Meie pideva uuringu- ja arendusprogrammi tõttu võidakse tehnilisi andmeid muuta ilma sellest ette teatamata.
- Tehnilised andmed ja akukassett võivad riigiti erineda.
- Kaal koos akukassetiga, EPTA-protseduuri 01/2003 kohaselt

Kavandatud kasutus

Tööriist on ette nähtud puit-, plast- ja metallmaterjalide saagimiseks. Tarvikute ja saeletehede laia valiku tõttu saab tööriista kasutada paljudel eesmärkidel ning see sobib väga hästi profiil- või ümarlõikamiseks.

Müra

Tüüpiline A-korrigeeritud müratase, määratud standardi EN60745 kohaselt:

Helirõhutase (L_{pA}): 80 dB (A)

Helivõimsuse tase (L_{WA}): 91 dB (A)

Määramatus (K): 3 dB (A)

⚠HOIATUS: Kasutage kõrvakaitsmeid.

Vibratsioon

Vibratsiooni koguväärtus (kolmeteljeliste vektorite summa) määratud standardi EN60745 kohaselt:

Töörežiim: laudade saagimine

Vibratsiooni emissioon ($a_{h,B}$): 7,0 m/s²

Määramatus (K): 1,5 m/s²

Töörežiim: lehtmatali lõikamine

Vibratsioon ($a_{h,M}$): 5,5 m/s²

Määramatus (K): 1,5 m/s²

MÄRKUS: Deklareeritud vibratsiooniheite väärtus on mõõdetud kooskõlas standardse testimismeetodiga ning seda võib kasutada ühe seadme võrdlemiseks teisega.

MÄRKUS: Deklareeritud vibratsiooniheite väärtust võib kasutada ka mürataseme esmaseks hindamiseks.

⚠HOIATUS: Vibratsioonitase võib elektritööriista tegelikkuses kasutamise ajal erineda deklareeritud väärtusest olenevalt tööriista kasutamise viisidest.

⚠HOIATUS: Rakendage operaatore kaitsmiseks kindlasti piisavaid ohutusabinõusid, mis põhinevad hinnangulisel müratasemel tegelikus tööolukorras (võttes arvesse tööperioodi kõiki osasid, nagu näiteks korrad, kui seade lülitatakse välja ja seade töötab tühikäigul, lisaks tööajale).

EÜ vastavusdeklaratsioon

Ainult Euroopa riikide puhul

Makita deklareerib, et alljärgnev(ad) masin(ad):

Masina nimetus: Juhtmeta tikksaag

Mudeli nr/tüüp: JV101D

Vastav alljärgnevatele Euroopa Parlamendi ja

Nõukogu direktiividele: 2006/42/EC

Need on toodetud järgmistele standardite või standardiseeritud dokumentide kohaselt: EN60745

Tehniline fail, mis on kooskõlas direktiiviga 2006/42/EC, on saadaval ettevõttes:

Makita, Jan-Baptist Vinkstraat 2, 3070, Belgia

23.9.2015



Yasushi Fukaya

Direktor

Makita, Jan-Baptist Vinkstraat 2, 3070 Belgia

Üldised elektritööriistade ohutushoiatused

⚠HOIATUS: Lugege läbi kõik ohutushoiatused ja juhtnõuad. Hoiatuste ja juhtnõuade mittejärgmine võib põhjustada elektrišokki, tulekahju ja/või tõsiselt vigastusi.

Hoidke edaspidisteks viide-tektes alles kõik hoiatused ja juhtnõõrid.

Hoiatuses kasutatud termini „elektritööriist“ all peetakse silmas elektriga töötavaid (juhtmega) elektritööriistu või akuga töötavaid (juhtmata) elektritööriistu.

Juhtmata tikksae ohutusnõuded

1. Hoidke elektritööriista lõikamise ajal isoleeritud käepidemest, kui lõikeriist võib kokku puutuda peidetud juhtmega. Voolu all oleva juhtmega kokkupuutesse sattunud lõiketera võib pingestada elektritööriista metallosi ning põhjustada kasutajale elektrilöögi.
2. Kasutage klambreid või mõnda muud sobivat viisi töödeldava detaili kinnitamiseks ja toetamiseks stabiilsele alusele. Töödeldava detaili hoidmisel käega või vastu keha on detail ebastabiilses asendis ning võib põhjustada kontrolli kaotust.
3. Kasutage alati kaitseprille või ohutusprille. Tavalised prillid või päikeseprillid EI OLE kaitseprillid.
4. Vältige naeltesse sisselõikamist. Kontrollige, kas töödeldavas detailis on naelu. Eemaldage need enne töö alustamist.
5. Ärge lõigake ülemõõdulist detaili.
6. Enne lõikamist kontrollige sobiva eraldamisvahemiku olemasolu töödeldava detaili ja toetuspinna vahel nii, et lõiketera ei tabaks põrandat, tööpinkii jne.
7. Hoidke tööriistast kindlalt kinni.
8. Veenduge, et lihvetas ei puutuks enne tööriista sisselülitamist vastu töödeldavat detaili.
9. Hoidke käed liikuvatest osadest eemal.
10. Ärge jätke tööriista käima. Käivitage tööriist ainult siis, kui hoiate seda käes.
11. Enne lõiketera eemaldamist töödeldavast detailist lülitage tööriist alati vooluvõrgust välja ja oodake, kuni lõiketera on lõplikult seiskunud.
12. Ärge puudutage saelehte ega töödeldavat detaili vahetult pärast tööoperatsiooni, sest need võivad olla äärmiselt kuumad ja põletada nahka.
13. Ärge käituge tööriista tarbetult koormamata olekus.
14. Mõned materjalid võivad sisaldada mürgiseid aineid. Võtke meetmed tolmu sissehingamise ja nahaga kokkupuute vältimiseks. Järgige materjali tarnija ohutusteavet.
15. Kasutage alati õiget tolmumaski/respiraatorit, mis vastab materjalile ja rakendusele, millega töötate.

HOIDKE JUHEND ALLES.

⚠ HOIATUS: ÄRGE UNUSTAGE järgida toote ohutusnõudeid mugavuse või toote (korduskasutamise saavutatud) hea tundmise tõttu. VALE KASUTUS või kasutusjuhendi ohutuseeskirjade eiramine võib põhjustada tervisekahjustusi.

Akukassetiga seotud olulised ohutusjuhised

1. Enne akukasseti kasutamist lugege (1) akulaadiljal, (2) akul ja (3) seadmel olevad juhtnõõrid ja hoiatused läbi.
2. Ärge võtke akukassetti lahti.
3. Kui tööaeg järsult lüheneb, siis lõpetage kohe kasutamine. Edasise kasutamise tulemuseks võib olla ülekuumenemisoht, võimalikud põletused või isegi plahvatus.
4. Kui elektrilüüti satub silma, siis loputage silma puhta veega ja pöörduge koheselt arsti poole. Selline õnnetus võib põhjustada pimedaksjäämist.
5. Ärge tekitage akukassetis lühist:
 - (1) Ärge puutuge klemme elektrijuhtidega.
 - (2) Ärge hoidke akukassetti tööriistakastis koos metallsemetega, nagu naelad, mündid jne.
 - (3) Ärge tehke akukassetti märjaks ega jätke seda vihma kätte.Aku lühis võib põhjustada tugevat elektri-voolu, ülekuumenemist, põletusi ning ka seadet tõsiselt kahjustada.
6. Ärge hoidke tööriista ja akukassetti kohtades, kus temperatuur võib tõusta üle 50 °C.
7. Ärge põletage akukassetti isegi siis, kui see on saanud tõsiselt vigastada või on täiesti kulumud. Akukassett võib tules plahvatada.
8. Olge ettevaatlik, ärge laske akul maha kukkuda ja vältige lööke.
9. Ärge kasutage kahjustatud akut.
10. Sisalduvatele liitium-ioonakudele võivad kohalduda ohtlike kaupade õigusaktide nõuded. Kaubanduslikul transportimisel, näiteks kolmanda poole või transportiettevõtete poolt, tuleb järgida pakendil ja siltidel toodud erinõudeid. Transportimiseks ettevalmistamisel on vajalik pidada nõu ohtliku materjali eksperdigaga. Samuti tuleb järgida võimalike riiklike regulatsioonide üksikasjalikumaid nõudeid. Katke teibiga või varjake avatud kontaktid ja pakendage aku selliselt, et see ei saaks pakendis liukuda.
11. Järgige kasutuskoõlmatuks muutunud aku käitlemisel kohalikke eeskirju.

HOIDKE JUHEND ALLES.

⚠ ETTEVAATUST: Kasutage ainult Makita originaalakusid. Mitte Makita originaalakude või muudetud akude kasutamine võib põhjustada akude süttimise, kehavigastuse ja kahjustuse. Samuti muudab see kehtetuks Makita tööriista ja laadija Makita garantii.

Vihjeid aku maksimaalse kasutajaja tagamise kohta

1. Laadige akukassetti enne selle täielikku tühjenemist. Kui märkate, et tööriist töötab väiksema võimsusega, peatage töö ja laadige akukassetti.
2. Ärge laadige täielikult laetud akukassetti. Ülelaadimine lühendab akude kasutusiga.
3. Laadige akukassetti toatemperatuuril 10 °C - 40 °C. Enne laadimist laske kuumenenud akukassetil maha jahtuda.

FUNKTSIONAALNE KIRJELDUS

⚠ETTEVAATUST: Kandke alati hoolt selle eest, et tööriist oleks enne reguleerimist ja kontrollimist välja lülitatud ja akukassett eemaldatud.

Akukasseti paigaldamine või eemaldamine

⚠ETTEVAATUST: Lülitage tööriist alati enne akukasseti paigaldamist või eemaldamist välja.

⚠ETTEVAATUST: Akukasseti paigaldamisel või eemaldamisel tuleb tööriista ja akukassetti kindlalt paigal hoida. Kui tööriista ja akukassetti ei hoita kindlalt paigal, võivad need käest libiseda ning kahjustada tööriista ja akukassetti või põhjustada kehavigastusi.

► **Joon.1:** 1. Punane näidik 2. Nupp 3. Akukassett

Akukasseti eemaldamiseks libistage see tööriista küljest lahti, vajutades kassetti esiküljel paiknevat nuppu alla.

Akukasseti paigaldamiseks joondage akukasseti keel korpuse soonega ja libistage kassett oma kohale. Paigaldage akuadapter alati nii kaugele, et see lukustus klõpsatusega oma kohale. Kui näete nupu ülaosas punast osa, pole kassett täielikult lukustunud.

⚠ETTEVAATUST: Paigaldage akukassett alati täies ulatuses nii, et punast osa ei jääks näha. Muidu võib adapter juhulislikult tööriistast välja kukkuda ning põhjustada teile või läheduses viibivatele isikutele vigastusi.

⚠ETTEVAATUST: Ärge rakendage akukasseti paigaldamisel jõudu. Kui kassett ei lähe kergesti sisse, pole see õigesti paigaldatud.

Aku kaitsesüsteem

Tööriist on varustatud aku kaitsesüsteemiga. Süsteem lülitab mootori automaatselt välja, et pikendada aku tööiga. Tööriist seiskub kaitmise ajal automaatselt, kui tööriista ja/või aku kohta kehtivad järgmised tingimused:

Ülekoormus:

Tööriista kasutatakse viisil, mis põhjustab toitevoolu tugevuse tõusu lubatust kõrgemale. Sellisel juhul lülitage tööriist välja ning lõpetage tööriista ülekoormuse põhjustanud tegevus. Pärast seda käivitage tööriist uuesti. Kui tööriist ei käivitu, on aku üle kuumenenud. Sellises olukorras laske akul enne tööriista uuesti sisselülitamist jahtuda.

Madal akupinge:







Järelejäädud aku voolutugevus on liiga väike ja tööriist ei tööta. Tööriista sisse lülitades hakkab mootor tööle, kuid seiskub peatselt. Sellisel juhul eemaldage aku ja laadige seda.

Aku jääkmahutavuse näit

Ainult akukassetid, mille mudelinumber lõppeb tähega „B”

► **Joon.2:** 1. Märgulambid 2. Kontrollimise nupp

Akukasseti järelejäädud mahutavuse kontrollimiseks vajutage kontrollimise nuppu. Märgulambid süttivad mõneks sekundiks.

Märgulambid		Jääkmahutavus
 Põleb	 Ei põle	
		75–100%
		50–75%
		25–50%
		0–25%

MÄRKUS: Näidatud mahutavus võib veidi erineda tegelikust mahutavusest olenevalt kasutustingimustest ja ümbritseva keskkonna temperatuurist.

Lõikeviisi valimine

► **Joon.3:** 1. Lõikemeetodi muutmise hoo

Seda tööriista saab kasutada ringja või sirgjoonelise (üles ja alla) lõikeviisiga. Ringja lõikemeetodi puhul tõugatakse tikksae leht saagimisel ette, suurendades oluliselt lõikekiirust.

Seadke lõikeviisi muutmiseks lõikeviisi muutmise hoo lihtsalt soovitud lõikeviisi asendisse. Juhendage sobiva lõikeviisi valimisel tabelis toodud teabest.

Asend	Lõikemeetod	Rakendused
0	Otsesuunas lõikamine	Karastamata terase, roostevaba terase ja plastide lõikamiseks. Puidu ja vineeri puhaslõikamiseks.
I	Väikese orbiidiga lõikemeetod	Karastamata terase, alumiiniumi ja lehtpuidu lõikamiseks.
II	Keskmise orbiidiga lõikemeetod	Puidu ja vineeri lõikamiseks. Alumiiniumi ja karastamata terase kiireks lõikamiseks.
III	Suure orbiidiga lõikemeetod	Puidu ja vineeri kiireks lõikamiseks.

Lüliti funktsioneerimine

⚠ETTEVAATUST: Kontrollige alati enne akukasseti tööriista külge paigaldamist, kas lüliti päästik funktsioneerib nõuetekohaselt ja liigub lahtilaskmisel tagasi väljalülitatud asendisse.

⚠ETTEVAATUST: Kui te tööriista parajasti ei kasuta, vajutage lahtilikustuse nuppu A-poolelt, et lukustada lüliti päästik väljalülitatud asendisse.

► **Joon.4:** 1. Lahtilukustusnupp 2. Lüliti päästik

Selleks, et lüliti päästik poleks võimalik juhuseks juhuslikult tõmmata, on tööriistal Lahtilukustusnupp. Tööriista käivitamiseks vajutage lahtilukustuse nuppu B-küljelt ning tõmmake lüliti päästikut. Tööriista kiirus kasvab siis, kui suurendate survet lüliti päästikule. Vabastage lüliti päästik tööriista seiskamiseks. Pärast kasutamist vajutage Lahtilukustusnupp alati A-küljelt.

KOKKUPANEK

⚠ETTEVAATUST: Kandke alati hoolt selle eest, et tööriist oleks enne igasuguseid hooldustöid välja lülitatud ja akukassett eemaldatud.

Tikksae lehe paigaldamine või eemaldamine

⚠ETTEVAATUST: Puhastage tikksae leht ja/või saelehe hoidja alati kõikidest külge jäänud laastudest ja võõrkehadest. Selle nõude eiramise tagajärjeks võib olla saelehe ebapiisav pingutamine, mis võib põhjustada tõsisemaid vigastusi.

⚠ETTEVAATUST: Ärge puudutage tikksae lehte ega töödeldavat detaili vahetult pärast töö tegemist. Need võivad olla väga kuumad ja põletada teie nahka.

⚠ETTEVAATUST: Kinnitage tikksae leht alati kindlalt. Lehe ebapiisav kinnitamine võib põhjustada lehe purunemise ja raskeid kehavigastusi.

⚠ETTEVAATUST: Kasutage B-tüüpi tikksae lehti. Muude kui B-tüüpi saelehtede kasutamisel ei pingutata saelehte piisavalt, mis võib põhjustada tõsisemaid vigastusi.

Keerake tikksae lehe paigaldamiseks kuuskantvõtmega tikksae lehe hoidjal polti vastupäeva lahtipoole.

► **Joon.5:** 1. Tikksae lehe hoidja 2. Polt 3. Kuuskantvõti

Kui terahambad on suunatud ettepoole, sisestage tikksae leht võimalikult sügavale tikksae lehe hoidikusse. Kandke hoolt selle eest, et saelehe tagumine serv istuks rullikusse. Pingutage seejärel saelehe kinnitamiseks polti päripäeva.

► **Joon.6:** 1. Polt 2. Rullik 3. Tikksae leht

Tikksae lehe eemaldamiseks järgige paigaldamise protseduuri vastupidises järjekorras.

MÄRKUS: Määrige rullikut vahetevahel.

Kuuskantvõtmeme hoielepik

► **Joon.7:** 1. Konks 2. Kuuskantvõti

Kui kuuskantvõtit ei kasutata, siis pange see joonisel näidatud viisil hoiele, et vältida selle ära kadumist. Kõigepealt sisestage kuuskantvõti avasse. Seejärel lükake seda, kuni see lukustub.

Tolmukate

⚠ETTEVAATUST: Kandke kaitseprille alati ka siis, kui tööriista kasutamisel on tolmu alla lastud.

Laske tolmu alla, et laastud ei saaks eemale paiskuda. Kaldloigete tegemise ajaks tõstke tolmu alla täiesti üles.

► **Joon.8:** 1. Tolmu alla

TÖÖRIISTA KASUTAMINE

⚠ETTEVAATUST: Tald peab alati toetuma töödeldavale detailile. Muidu võib tikksae leht puruneda ja põhjustada tõsiseid vigastusi.

⚠ETTEVAATUST: Juhtige tööriista kaarjaid või ringloikeid tehes edasi väga aeglaselt. Tööriista jõuga edasi sundimise tagajärjel võib löikepind olla kaldus ning tikksae leht puruneda.

► **Joon.9:** 1. Lõikejoon 2. Alus

Lülitage tööriist sisse, ilma et tikksae leht töödeldava detaili vastu puutuks, ja oodake, kuni saeleht saavutab täiskiruse. Seejärel toetage tööriista alus töödeldavale detailile ja liigutage tööriista piki ettemärgitud lõikejoont ettepoole.

Kaldloikamine

⚠ETTEVAATUST: Enne aluse kallutamist peab tööriist olema kindlalt välja lülitatud ja akukassett kere küljest eemaldatud.

⚠ETTEVAATUST: Tõstke tolmu alla enne kaldloigete tegemist täiesti üles.

Saate kaldu seatud tallaga teha kaldloikeid iga nurga all vahemikus 0° kuni 45° (vasak või parem).

► **Joon.10**

Keerake talle all olevat polti kuuskantvõtmega lahtipoole. Liigutage talle selliselt, et polt asuks tallas oleva ristküliku keskel.

► **Joon.11:** 1. Kuuskantvõti 2. Polt 3. Alus

Kallutage alus soovitud kaldenurga alla. Mootorikorpuse serv näitab kaldenurka astmete kaupa. Seejärel pingutage aluse kinnitamiseks polti.

► **Joon.12:** 1. Serv 2. Mõõteskaala

Tasalõiked talle esiservaga

► **Joon.13:** 1. Kuuskantvõti 2. Polt 3. Alus

Keerake kuuskantvõtmega talle all olevat polti lahtipoole ja libistage tald võimalikult taha. Seejärel pingutage aluse kinnitamiseks polti.

Väljalõiked

Väljalõikeid saab teha kas meetodil „lähteava puurimine“ või „sukelduslõikamine“.

Lähteava puurimine

► Joon.14

Puurige enne 12 mm või suurema diameetriga lähteava selliste seesmist väljalõigete jaoks, mille puhul te ei tee servast algavat sisseviivat lõiget. Sisestage tikksae leht lõikamise alustamiseks sellesse avasse.

Sukelduslõikamine

► Joon.15

Lähteava ei ole vaja puurida ega sisseviivat lõiget teha, kui toimite ettevaatlikult järgmiselt.

1. Kallutage tööriist üles talle eesmisele servale selliselt, et tikksae lehe tipp paikneks parajasti töödeldava detaili pinna kohal.
2. Suruge tööriistale selliselt, et talle esiserv ei liiguks, kui tööriista sisse lülitate, ja laske tööriista tagumine ots aeglaselt allapoole.
3. Kui tikksae leht tungib töödeldavasse detaili, laske tööriista tald aeglaselt alla töödeldava detaili pinnale.
4. Lõpetage lõikamine tavalisel viisil.

Servade viimistlemine

► Joon.16

Liigutage tikksae lehte servade viimistlemiseks või mõõtmete parandamiseks kergelt piki lõigatud servasid.

Metalli lõikamine

Kasutage metalli lõikamisel alati sobivat jahutusainet (metallitöötlusõli). Selle nõude eiramise tagajärjel kulub tikksae leht oluliselt rohkem. Jahutusvedeliku kasutamise asemel võib määrada töödeldava detaili alumist poolt.

Tolmu eemaldamine

► Joon.17: 1. Voolik (lisatarvik) 2. Tolmukate

Puhaste lõikeoperatsioonide tegemiseks tuleb tööriist ühendada Makita tolmuimejaga.

Sisestage tolmuimeja voolik tööriista taga olevasse avasse.

Enne tööle asumist langetage tolmuikate.

MÄRKUS: Tolmu ei saa eemaldada kaldlõikeid tehes.

Piire

Valikuline tarvik

⚠ETTEVAATUST: Enne tarvikute lisamist või eemaldamist peab tööriist olema kindlasti välja lülitatud ja akukassett kere küljest eemaldatud.

Sirged lõiked

Pidevalt 160 mm või väiksemaid laiusi lõigates tagab lõikejuhtjoolalaua kasutamine lõikamisel kiire, puhta ja sirge tulemuse.

► Joon.18: 1. Piire (juhtjoolaud)

Sisestage lõikejuhtjoolaud paigaldamiseks talle küljel olevasse riskülikukujulisse avasse selliselt, et juhtjoolalaua juhik oleks suunatud alla. Libistage lõikejuhtjoolaud soovitud lõikelaiuse asendisse ning pingutage selle kinnitamiseks seejärel polti.

► Joon.19: 1. Kuuskantvõti 2. Polt 3. Piirdejuhik 4. Piire (juhtjoolaud)

Ringikujulised lõiked

Paigaldage lõikejuhtjoolaud järgmiselt, kui lõikate 170 mm või väiksema raadiusega ringe või kaari.

► Joon.20: 1. Piire (juhtjoolaud)

1. Sisestage lõikejuhtjoolaud talle küljel olevasse riskülikukujulisse avasse selliselt, et juhtjoolalaua juhik oleks suunatud üles.
2. Sisestage ümar juhiktihtv läbi ühe juhtjoolalaua juhikus olevast kahest avast. Keerake tihti kinnitamis tihtile keermesnupp.
- Joon.21: 1. Keermesnupp 2. Piirdejuhik 3. Piire (juhtjoolaud) 4. Sõrm
3. Libistage lõikejuhtjoolaud soovitud lõikeradiusele ja pingutage polti selle kohale kinnitamiseks. Liigutage tald seejärel võimalikult ette.

MÄRKUS: Kasutage ringe või kaari lõigates alati tikksae lehti nr B-17, B-18, B-26 või B-27.

Pinnuliseks muutmise vastane seadis

Lisatarvik, alumiiniumtallaga mudelile

⚠ETTEVAATUST: Pinnuliseks muutmise vastast seadist ei saa kasutada kaldlõigete tegemisel.

► Joon.22: 1. Alus 2. Pinnuliseks muutmise vastane seadis

Pindudeta lõigete saamiseks võib kasutada pindudevastast seadet. Pinnuliseks muutmise vastase seadise paigaldamiseks liigutage tööriista tald võimalikult ette ja sobitage see kohale tööriista talle alt. Katteplaati kasutades paigaldage pinnuliseks muutmise vastane seadis katteplaadile.

Katteplaat

Lisatarvik, alumiiniumtallaga mudelile

► Joon.23: 1. Katteplaat 2. Alus

Dekoratiivse spooni, plasti jms lõikamiseks kasutage katteplaati. See kaitseb õrnu pindu kahjustuste eest. Asetage see tööriista talle alla.

HOOLDUS

⚠ETTEVAATUST: Enne kontroll- või hooldustoimingute tegemist kandke alati hoolt selle eest, et tööriist oleks välja lülitatud ja akukassett korpuse küljest eemaldatud.

TÄHELEPANU: Ärge kunagi kasutage bensiini, vedeldit, alkoholi ega midagi muud sarnast. Selle tulemuseks võib olla luitumine, deformatsioon või pragunemine.

Toote OHUTUSE ja TÖÖKINDLUSE tagamiseks tuleb vajalikud remonttööd ning muud hooldus- ja reguleerimistööd lasta teha Makita volitatud teeninduskeskustes või tehase teeninduskeskustes. Alati tuleb kasutada Makita varuosi.

VALIKULISED TARVIKUD

⚠ETTEVAATUST: Neid tarvikuid ja lisaseadiseid on soovitatav kasutada koos Makita tööriistaga, mille kasutamist selles kasutusjuhendis kirjeldatakse. Muude tarvikute ja liseseadiste kasutamisega kaasneb vigastada saamise oht. Kasutage tarvikuid ja liseseadiseid ainult otstarbekohaselt.

Saate vajaduse korral kohalikust Makita teeninduskeskusest lisateavet nende tarvikute kohta.

- Tikksae lehed
- Kuuskantvõti nr 3
- Lõikejuhtjoonlauda (juhikmõõtlauda) komplekt
- Pinnuliseks muutmise vastane seadis
- Voolik (tolmuimeja jaoks)
- Katteplaat
- Makita algupärane aku ja laadija

MÄRKUS: Mõned nimekirjas loetletud tarvikud võivad kuuluda standardvarustusse ning need on lisatud tööriista pakendisse. Need võivad riigiti erineda.

ТЕХНИЧЕСКИЕ ХАРАКТЕРИСТИКИ

Модель:		JV101D	
Длина хода		18 мм	
Ходов в минуту		0 - 2 900 мин ⁻¹	
Тип пильного полотна		Тип В	
Макс. производительность резки	Дерево	65 мм	
	Мягкая сталь	2 мм	
	Алюминий	4 мм	
Номинальное напряжение		10,8 В пост. тока	
Блок аккумулятора		BL1015, BL1020B	BL1040B
Общая длина		232 мм	250 мм
Масса нетто		1,7 кг	1,9 кг

- Благодаря нашей постоянно действующей программе исследований и разработок указанные здесь технические характеристики могут быть изменены без предварительного уведомления.
- Технические характеристики и аккумуляторный блок могут отличаться в зависимости от страны.
- Масса (с аккумуляторным блоком) в соответствии с процедурой EPTA 01.2003

Назначение

Данный инструмент предназначен для распиливания материалов из древесины, пластмассы и металла. Наличие большого количества дополнительных принадлежностей и пильных дисков позволяет использовать инструмент для различных целей. Он идеально подходит для выполнения изогнутых или круговых вырезов.

Шум

Типичный уровень взвешенного звукового давления (A), измеренный в соответствии с EN60745:
 Уровень звукового давления (L_{рА}): 80 дБ (A)
 Уровень звуковой мощности (L_{вА}): 91 дБ (A)
 Погрешность (K): 3 дБ (A)

⚠ОСТОРОЖНО: Используйте средства защиты слуха.

Вибрация

Суммарное значение вибрации (сумма векторов по трем осям), определенное в соответствии с EN60745:

Рабочий режим: резка панелей

Распространение вибрации (a_{нв}): 7,0 м/с²

Погрешность (K): 1,5 м/с²

Рабочий режим: резка листового металла

Распространение вибрации (a_{нв}): 5,5 м/с²

Погрешность (K): 1,5 м/с²

ПРИМЕЧАНИЕ: Заявленное значение распространения вибрации измерено в соответствии со стандартной методикой испытаний и может быть использовано для сравнения инструментов.

ПРИМЕЧАНИЕ: Заявленное значение распространения вибрации можно также использовать для предварительных оценок воздействия.

⚠ОСТОРОЖНО: Распространение вибрации во время фактического использования электроинструмента может отличаться от заявленного значения в зависимости от способа применения инструмента.

⚠ОСТОРОЖНО: Обязательно определите меры безопасности для защиты оператора, основанные на оценке воздействия в реальных условиях использования (с учетом всех этапов рабочего цикла, таких как выключение инструмента, работа без нагрузки и включение).

Декларация о соответствии ЕС

Только для европейских стран

Makita заявляет, что следующее устройство (устройства):

Обозначение устройства: Аккумуляторный лобзик

Модель / тип: JV101D

Соответствует(-ют) следующим директивам ЕС: 2006/42/ЕС

Изготовлены в соответствии со следующим стандартом или нормативными документами: EN60745

Технический файл в соответствии с документом

2006/42/ЕС доступен по адресу:

Makita, Jan-Baptist Vinkstraat 2, 3070, Belgium

23.9.2015



Ясуси Фукая (Yasushi Fukaya)

Директор

Makita, Jan-Baptist Vinkstraat 2, 3070, Belgium

Общие рекомендации по технике безопасности для электроинструментов

⚠ОСТОРОЖНО: Ознакомьтесь со всеми инструкциями и рекомендациями по технике безопасности. Невыполнение инструкций и рекомендаций может привести к поражению электротоком, пожару и/или тяжелым травмам.

Сохраните брошюру с инструкциями и рекомендациями для дальнейшего использования.

Термин "электроинструмент" в предупреждениях относится ко всему инструменту, работающему от сети (с проводом) или на аккумуляторах (без провода).

Правила техники безопасности при эксплуатации аккумуляторного лобзика

1. Если при выполнении работ существует риск контакта режущего инструмента со скрытой электропроводкой, держите электроинструмент за специально предназначенные изолированные поверхности. Контакт с проводом под напряжением приведет к тому, что металлические детали инструмента также будут под напряжением. Это может стать причиной поражения оператора электрическим током.
2. Для фиксации разрезаемой детали на устойчивой поверхности используйте зажимы или другие соответствующие приспособления. Никогда не держите распиливаемые детали в руках и не прижимайте их к телу, так как это не обеспечит устойчивого положения детали и может привести к потере контроля над инструментом.
3. Обязательно надевайте защитные очки или защитную маску для лица. Обычные или солнцезащитные очки НЕ ЯВЛЯЮТСЯ защитными очками.
4. Избегайте попадания режущего инструмента на гвозди. Перед пилением осмотрите деталь и убедитесь в отсутствии гвоздей.
5. Не распиливайте детали, превышающие допустимый размер.
6. Убедитесь в наличии свободного пространства за распиливаемой деталью, чтобы полотно не уперлось в пол, верстак и т. п.
7. Крепко держите инструмент.
8. Перед включением переключателя убедитесь в том, что полотно не касается обрабатываемой детали.
9. Руки должны находиться на расстоянии от движущихся деталей.
10. Не оставляйте работающий инструмент без присмотра. Включайте инструмент только тогда, когда он находится в руках.
11. Перед извлечением полотна из детали всегда выключайте инструмент и ждите остановки движения полотна.

12. Не касайтесь полотна или обрабатываемой детали сразу же после работы; они могут быть очень горячими и обжечь кожу.
13. Без необходимости не эксплуатируйте инструмент без нагрузки.
14. Некоторые материалы могут содержать токсичные химические вещества. Примите соответствующие меры предосторожности, чтобы избежать вдыхания или контакта с кожей таких веществ. Соблюдайте требования, указанные в паспорте безопасности материала.
15. Обязательно используйте соответствующую пылезащитную маску/респиратор для защиты дыхательных путей от пыли разрезаемых материалов.

СОХРАНИТЕ ДАННЫЕ ИНСТРУКЦИИ.

⚠ОСТОРОЖНО: НЕ ДОПУСКАЙТЕ, чтобы удобство или опыт эксплуатации данного устройства (полученный от многократного использования) доминировали над строгим соблюдением правил техники безопасности при обращении с этим устройством. НЕПРАВИЛЬНОЕ ИСПОЛЬЗОВАНИЕ инструмента или несоблюдение правил техники безопасности, указанных в данном руководстве, может привести к тяжелой травме.

Важные правила техники безопасности для работы с аккумуляторным блоком

1. Перед использованием аккумуляторного блока прочитайте все инструкции и предупреждения надписи на (1) зарядном устройстве, (2) аккумуляторном блоке и (3) инструменте, работающем от аккумуляторного блока.
2. Не разбирайте аккумуляторный блок.
3. Если время работы аккумуляторного блока значительно сократилось, немедленно прекратите работу. В противном случае, может возникнуть перегрев блока, что приведет к ожогам и даже к взрыву.
4. В случае попадания электролита в глаза промойте их обильным количеством чистой воды и немедленно обратитесь к врачу. Это может привести к потере зрения.
5. Не замыкайте контакты аккумуляторного блока между собой:
 - (1) Не прикасайтесь к контактам какими-либо токопроводящими предметами.
 - (2) Не храните аккумуляторный блок в контейнере вместе с другими металлическими предметами, такими как гвозди, монеты и т. п.
 - (3) Не допускайте попадания на аккумуляторный блок воды или дождя.Замыкание контактов аккумуляторного блока между собой может привести к возникновению большого тока, перегреву, возможным ожогам и даже поломке блока.

6. Не храните инструмент и аккумуляторный блок в местах, где температура может достигать или превышать 50 °C (122 °F).
7. Не бросайте аккумуляторный блок в огонь, даже если он сильно поврежден или полностью вышел из строя. Аккумуляторный блок может взорваться под действием огня.
8. Не роняйте и не ударяйте аккумуляторный блок.
9. Не используйте поврежденный аккумуляторный блок.
10. Входящие в комплект литий-ионные аккумуляторы должны эксплуатироваться в соответствии с требованиями законодательства об опасных товарах.
При коммерческой транспортировке, например, третьей стороной или экспедитором, необходимо нанести на упаковку специальные предупреждения и маркировку.
В процессе подготовки устройства к отправке обязательно проконсультируйтесь со специалистом по опасным материалам. Также соблюдайте местные требования и нормы. Они могут быть строже.
Закройте или закрепите разомкнутые контакты и упакуйте аккумулятор так, чтобы он не перемещался по упаковке.
11. Выполняйте требования местного законодательства относительно утилизации аккумуляторного блока.

СОХРАНИТЕ ДАННЫЕ ИНСТРУКЦИИ.

ВНИМАНИЕ: Используйте только фирменные аккумуляторные батареи Makita. Использование аккумуляторных батарей, не произведенных Makita, или батарей, которые были подвергнуты модификациям, может привести к взрыву аккумулятора, пожару, травмам и повреждению имущества. Это также автоматически аннулирует гарантию Makita на инструмент и зарядное устройство Makita.

Советы по обеспечению максимального срока службы аккумулятора

1. Заряжайте блок аккумуляторов перед его полной разрядкой. Обязательно прекратите работу с инструментом и зарядите блок аккумуляторов, если вы заметили снижение мощности инструмента.
2. Никогда не подзаряжайте полностью заряженный блок аккумуляторов. Перезарядка сокращает срок службы аккумулятора.
3. Заряжайте блок аккумуляторов при комнатной температуре в 10 °C - 40 °C (50 °F - 104 °F). Перед зарядкой горячего блока аккумуляторов дайте ему остыть.

ОПИСАНИЕ РАБОТЫ

ВНИМАНИЕ: Перед регулировкой или проверкой функций инструмента обязательно убедитесь, что он выключен и его аккумуляторный блок снят.

Установка или снятие блока аккумулятора

ВНИМАНИЕ: Обязательно выключайте инструмент перед установкой и извлечением аккумуляторного блока.

ВНИМАНИЕ: При установке и извлечении аккумуляторного блока крепко удерживайте инструмент и аккумуляторный блок. Если не соблюдать это требование, они могут выскользнуть из рук, что приведет к повреждению инструмента, аккумуляторного блока и травмированию оператора.

► **Рис. 1:** 1. Красный индикатор 2. Кнопка 3. Блок аккумулятора

Для снятия аккумуляторного блока нажмите кнопку на лицевой стороне и извлеките блок.

Для установки аккумуляторного блока совместите выступ аккумуляторного блока с пазом в корпусе и задвиньте его на место. Устанавливайте блок до упора так, чтобы он зафиксировался на месте с небольшим щелчком. Если вы можете видеть красный индикатор на верхней части клавиши, адаптер аккумулятора не полностью установлен на месте.

ВНИМАНИЕ: Обязательно устанавливайте аккумуляторный блок до конца, чтобы красный индикатор не был виден. В противном случае аккумуляторный блок может выпасть из инструмента и нанести травму вам или другим людям.

ВНИМАНИЕ: Не прилагайте чрезмерных усилий при установке аккумуляторного блока. Если блок не двигается свободно, значит он вставлен неправильно.

Система защиты аккумулятора

На инструменте предусмотрена система защиты аккумулятора. Она автоматически отключает питание двигателя для продления срока службы аккумулятора. Инструмент автоматически остановится во время работы при возникновении указанных ниже ситуаций.

Перегрузка:

Из-за способа эксплуатации инструмент потребляет очень большое количество тока. В этом случае выключите инструмент и прекратите работу, повлекшую перегрузку инструмента. Затем включите инструмент для перезапуска. Если инструмент не включается, значит перегрелся аккумуляторный блок. В этом случае дайте аккумулятору остыть перед повторным включением инструмента.

Низкое напряжение аккумуляторной батареи:

Уровень оставшейся емкости аккумулятора слишком низкий, и инструмент не работает. При включении инструмента электродвигатель запускается и вскоре останавливается. В этом случае снимите и зарядите аккумулятор.

Индикация оставшегося заряда аккумулятора

Только для аккумуляторных блоков, номер модели которых заканчивается на "В"

► Рис.2: 1. Индикаторы 2. Кнопка проверки

Нажмите кнопку проверки на аккумуляторном блоке для проверки заряда. Индикаторы загорятся на несколько секунд.

Индикаторы		Уровень заряда
Горит	Выкл.	
■ ■ ■ ■	□	от 75 до 100%
■ ■ ■ □	□	от 50 до 75%
■ ■ □ □	□	от 25 до 50%
■ □ □ □	□	от 0 до 25%

ПРИМЕЧАНИЕ: В зависимости от условий эксплуатации и температуры окружающего воздуха индикация может незначительно отличаться от фактического значения.

Выбор действия резки

► Рис.3: 1. Рычаг переключения резки

Данный инструмент можно использовать для орбитальной или прямолинейной (вверх и вниз) резки. При орбитальной резке полотно ножовочной пилы отжимается вперед, что значительно повышает скорость резания.

Для изменения действия резки, просто поверните рычаг переключения действия в нужное положение. См. таблицу для выбора соответствующего действия резки.

Положение	Действие резки	Применение
0	Прямолинейная резка	Для резки мягкой, нержавеющей стали и пластмассы. Для чистовых резов в дереве и фанере.
I	Резка с небольшим радиусом	Для резки мягкой стали, алюминия и твердого дерева.
II	Резка со средним радиусом	Для резки дерева и фанеры. Для быстрой резки алюминия и мягкой стали.
III	Резка с большим радиусом	Для быстрой резки дерева и фанеры.

Действие выключателя

ВНИМАНИЕ: Перед установкой аккумуляторного блока в инструмент обязательно убедитесь, что его триггерный переключатель нормально работает и возвращается в положение "OFF" (ВЫКЛ) при отпускании.

ВНИМАНИЕ: Если инструмент не используется, нажмите на стопорную кнопку со стороны А для блокирования триггерного переключателя в положении "ВЫКЛ".

► Рис.4: 1. Стопорная кнопка 2. Триггерный переключатель

Во избежание случайного нажатия триггерного переключателя инструмент оборудован стопорной кнопкой.

Для того чтобы начать пользоваться инструментом, нажмите стопорную кнопку со стороны В, а затем — триггерный переключатель.

Для увеличения числа оборотов нажмите триггерный переключатель сильнее. Отпустите триггерный переключатель для остановки. После прекращения работы нажмите на стопорную кнопку со стороны А.

СБОРКА

ВНИМАНИЕ: Перед проведением каких-либо работ с инструментом обязательно убедитесь, что инструмент отключен, а блок аккумулятора снят.

Установка или снятие полотна ножовочной пилы

ВНИМАНИЕ: Всегда удаляйте все опилки или инородные частицы, прилипшие к полотну ножовочной пилы и/или держателю полотна. Несоблюдение данного требования может привести к недостаточной затяжке полотна и серьезной травме.

ВНИМАНИЕ: Не прикасайтесь к полотну ножовочной пилы или детали сразу после окончания работы. Они могут быть очень горячими и причинить ожог.

ВНИМАНИЕ: Всегда надежно закрепляйте полотно ножовочной пилы. Недостаточная затяжка полотна может привести к его поломке или серьезной травме.

ВНИМАНИЕ: Используйте только полотно ножовочной пилы типа В. Использование полотен другого типа (кроме В) не обеспечивает надлежащую затяжку, что может стать причиной серьезной травмы.

Для установки полотна ножовочной пилы ослабьте болт на держателе полотна, повернув его против часовой стрелки с помощью шестигранного ключа.

► Рис.5: 1. Держатель полотна ножовочной пилы 2. Болт 3. Шестигранный ключ

Направив зубья вперед, вставьте полотно ножовочной пилы в держатель как можно глубже. Убедитесь, что задняя сторона полотна входит в ролик. Затем затяните болт по часовой стрелке для закрепления полотна.

► **Рис.6:** 1. Болт 2. Ролик 3. Полотно ножовочной пилы

Для снятия полотна ножовочной пилы повторите процедуру установки в обратном порядке.

ПРИМЕЧАНИЕ: Иногда смазывайте ролик.

Хранение шестигранного ключа

► **Рис.7:** 1. Крючок 2. Шестигранный ключ

Когда шестигранный ключ не используется, храните его, как показано на рисунке, чтобы не потерять. Сначала вставьте шестигранный ключ в отверстие. Затем вдавите его в крючок до фиксации.

Пылезащитный кожух

ВНИМАНИЕ: При работе с инструментом всегда надевайте защитные очки, даже если пылезащитный кожух опущен.

Опустите пылезащитный кожух, чтобы предотвратить выброс щепок. Но кожух необходимо полностью поднять при выполнении резки со скосом.

► **Рис.8:** 1. Пылезащитный кожух

ЭКСПЛУАТАЦИЯ

ВНИМАНИЕ: Обязательно держите основание на одном уровне с деталью. Несоблюдение данного требования может привести к поломке полотна ножовочной пилы и серьезной травме.

ВНИМАНИЕ: Продвигайте инструмент очень медленно при резке по кривой или при перемещении по вертикали. Если к инструменту приложить усилие, это может привести к появлению искошенной поверхности и повреждению полотна ножовочной пилы.

► **Рис.9:** 1. Линия отреза 2. Основание

Включите инструмент, когда полотно ножовочной пилы ничего не касается, и подождите, пока полотно не разовьет полную скорость. Затем положите основание на обрабатываемую деталь и медленно перемещайте инструмент вперед по заранее нанесенной линии отреза.

Резка под скосом

ВНИМАНИЕ: Прежде чем наклонить основание, убедитесь, что инструмент отключен, а блок аккумулятора извлечен.

ВНИМАНИЕ: Полностью поднимите пылезащитную крышку перед резкой со скосом.

При наклоненном основании вы можете выполнять резку со скосом под любым углом в диапазоне от 0° до 45° (влево или вправо).

► **Рис.10**

Областайте основание так, чтобы болт соединялся с основанием. Сдвиньте основание так, чтобы болт располагался в центре крестообразного разреза в основании.

► **Рис.11:** 1. Шестигранный ключ 2. Болт 3. Основание

Наклоните основание так, чтобы получить требуемый угол скоса. Край корпуса двигателя указывает угол скоса в градуировке. Затем затяните болт для закрепления основания.

► **Рис.12:** 1. Край 2. Градуировка

Прямые разрезы заподлицо

► **Рис.13:** 1. Шестигранный ключ 2. Болт 3. Основание

Открутите болт в задней части основания шестигранным ключом и сдвиньте основание до конца назад. Затем затяните болт для закрепления основания.

Вырезы

Вырезы можно делать с помощью одного из двух методов - "сверление начального отверстия" или "врезание".

Сверление начального отверстия

► **Рис.14**

Для внутренних вырезов без начального врезания с края, высверлите предварительно отверстие диаметром 12 мм или более. Вставьте полотно ножовочной пилы в это отверстие для начала резки.

Врезание

► **Рис.15**

Вам не нужно будет сверлить начальное отверстие или делать врезку, если вы аккуратно сделаете следующее.

1. Поднимите инструмент за передний край основания, расположив острие полотна ножовочной пилы непосредственно над поверхностью обрабатываемой детали.
2. Надавите на инструмент, чтобы передний край основания не сдвинулся, когда вы включите инструмент, и медленно опустите заднюю часть.
3. По мере врезания полотна ножовочной пилы в обрабатываемую деталь, опускайте основание инструмента на поверхность обрабатываемой детали.
4. Завершите вырез обычным образом.

Обработка краев

► **Рис.16**

Для обработки краев или размерной регулировки, слегка проведите полотном ножовочной пилы по вырезанным краям.

Резка металла

При резке металла всегда пользуйтесь подходящей охлаждающей жидкостью (масло для резки). Несоблюдение данного требования приведет к значительному износу полотна ножовочной пилы. Вместо использования охлаждающего вещества можно смазать обратную поверхность обрабатываемой детали.

Удаление пыли

- **Рис.17:** 1. Шланг (дополнительная принадлежность) 2. Пылезащитный кожух

Для обеспечения чистоты во время работы можно подключить данный инструмент к пылесосу Makita. Вставьте шланг пылесоса в отверстие в задней части инструмента.

Перед работой опустите пылезащитный кожух.

ПРИМЕЧАНИЕ: Пыль нельзя удалять при резке со скосом.

Направляющая планка

Дополнительные принадлежности

ВНИМАНИЕ: Перед установкой или снятием дополнительных принадлежностей выключите инструмент и извлеките блок аккумулятора.

Прямые разрезы

При многократной резке в глубину до 160 мм или менее, использование направляющей планки позволит добиться быстрых, чистых, прямых разрезов.

- **Рис.18:** 1. Направляющая планка (направляющая линейка)

Для установки направляющей планки вставьте ее в квадратное отверстие сбоку основания, при этом направляющая линейка должна смотреть вниз. Сдвиньте направляющую планку на необходимую ширину резки, после чего затяните болт для фиксации планки.

- **Рис.19:** 1. Шестигранный ключ 2. Болт
3. Направляющая линейка
4. Направляющая планка (направляющая линейка)

Круговые вырезы

При резке кругов или дуг радиусом в 170 мм или менее, установите направляющую планку следующим образом.

- **Рис.20:** 1. Направляющая планка (направляющая линейка)

1. Вставьте направляющую планку в квадратное отверстие сбоку основания, при этом направляющая линейка должна смотреть вверх.

2. Вставьте штифт круговой направляющей в любое из двух отверстий в направляющей линейке. Накрутите резьбовую рукоятку на штифт для его крепления.

- **Рис.21:** 1. Резьбовая рукоятка 2. Направляющая линейка 3. Направляющая планка (направляющая линейка) 4. Штифт

3. Сдвиньте направляющую планку на желаемый радиус выреза и затяните болт для ее фиксации на месте. После этого сдвиньте основание вперед до конца.

ПРИМЕЧАНИЕ: При вырезке кругов или дуг всегда пользуйтесь полотнами ножовочной пилы № В-17, В-18, В-26 или В-27.

Устройство против раскалывания

Дополнительная принадлежность, только для моделей с алюминиевым основанием

ВНИМАНИЕ: При осуществлении резки со скосом устройство против раскалывания использовать нельзя.

- **Рис.22:** 1. Основание 2. Устройство против раскалывания

Для предотвращения раскалывания в процессе резки можно использовать устройство против раскалывания. Чтобы установить устройство против раскалывания, полностью подвиньте основание вперед и вставьте устройство в заднюю часть основания инструмента.

Если вы используете крышку, установите устройство против раскалывания на крышку.

Крышка

Дополнительная принадлежность, только для моделей с алюминиевым основанием

- **Рис.23:** 1. Крышка 2. Основание

Используйте крышку при резке декоративной фанеры, пластмассы и т.д. Она защищает ломкие или тонкие поверхности от повреждений. Устанавливайте ее на заднюю часть основания инструмента.

ОБСЛУЖИВАНИЕ

ВНИМАНИЕ: Перед проведением проверки или работ по техобслуживанию всегда проверяйте, что инструмент выключен, а блок аккумулятора снят.

ПРИМЕЧАНИЕ: Запрещается использовать бензин, растворители, спирт и другие подобные жидкости. Это может привести к обесцвечиванию, деформации и трещинам.

Для обеспечения БЕЗОПАСНОСТИ и НАДЕЖНОСТИ оборудования ремонт, любое другое техобслуживание или регулировку необходимо производить в уполномоченных сервис-центрах Makita или сервис-центрах предприятия с использованием только сменных частей производства Makita.

ДОПОЛНИТЕЛЬНЫЕ ПРИНАДЛЕЖНОСТИ

⚠ ВНИМАНИЕ: данные принадлежности или приспособления рекомендуются для использования с инструментом Makita, указанным в настоящем руководстве. Использование других принадлежностей или приспособлений может привести к получению травмы. Используйте принадлежность или приспособление только по указанному назначению.

Если вам необходимо содействие в получении дополнительной информации по этим принадлежностям, свяжитесь с вашим сервис-центром Makita.

- Полотна ножовочных пил
- Шестигранный ключ 3
- Комплект направляющей планки (направляющей линейки)
- Устройство против раскалывания
- Шланг (для пылесоса)
- Крышка
- Оригинальный аккумулятор и зарядное устройство Makita

ПРИМЕЧАНИЕ: Некоторые элементы списка могут входить в комплект инструмента в качестве стандартных приспособлений. Они могут отличаться в зависимости от страны.

Makita Jan-Baptist Vinkstraat 2, 3070, Belgium
Makita Corporation Anjo, Aichi, Japan

www.makita.com

885494-983
EN, SV, NO, FI,
LV, LT, ET, RU
20151113