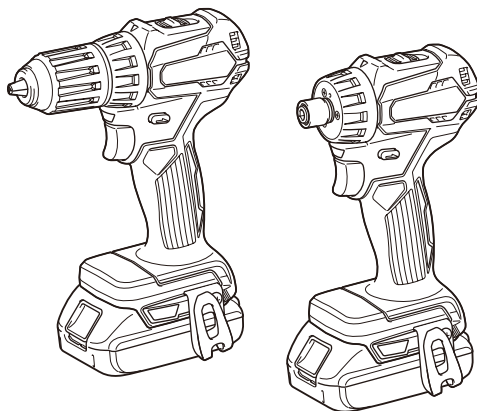


EN	Cordless Driver Drill	INSTRUCTION MANUAL	4
SV	Sladdlös bormaskin	BRUKSANVISNING	10
NO	Batteridrevet borskru trekker	BRUKSANVISNING	16
FI	Akkuporakone	KÄYTTÖOHJE	22
LV	Bezvada skrūvgriezis-urbjmašina	LIETOŠANAS INSTRUKCIJA	28
LT	Akumulatorinis grąžtas	NAUDOJIMO INSTRUKCIJA	34
ET	Juhtmeta trell-kruvikeeraja	KASUTUSJUHEND	40
RU	Аккумуляторная дрель-шуруповерт	РУКОВОДСТВО ПО ЭКСПЛУАТАЦИИ	46

**DDF483**  
**DDF083**



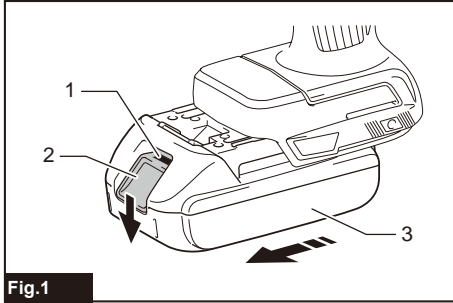


Fig.1

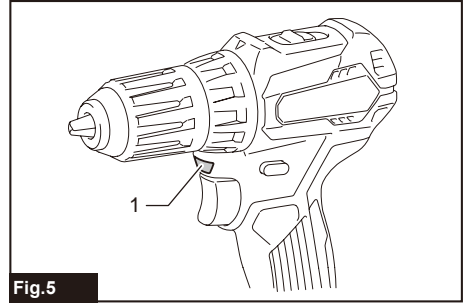


Fig.5

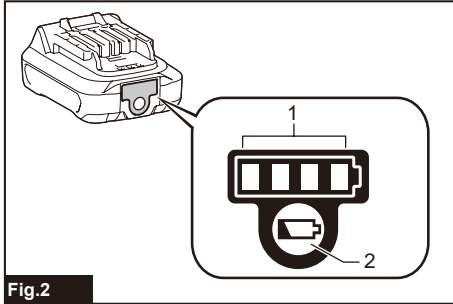


Fig.2

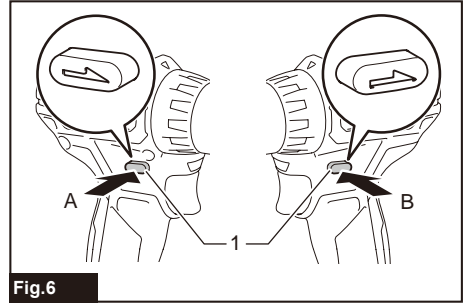


Fig.6

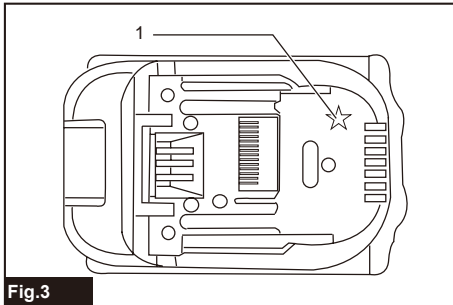


Fig.3

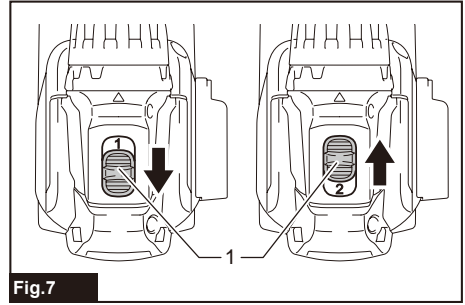


Fig.7

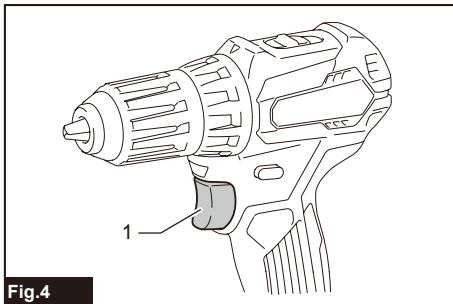


Fig.4

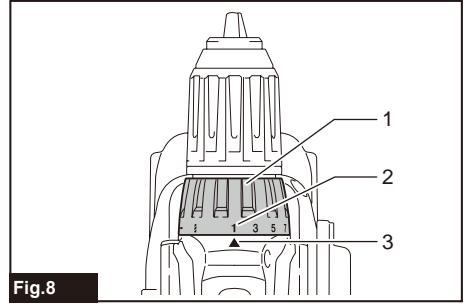
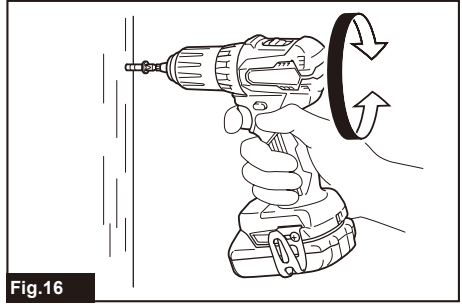
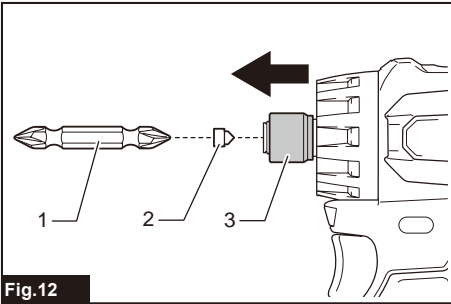
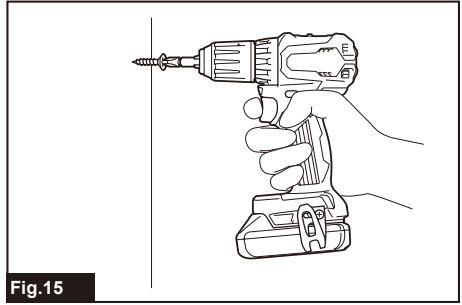
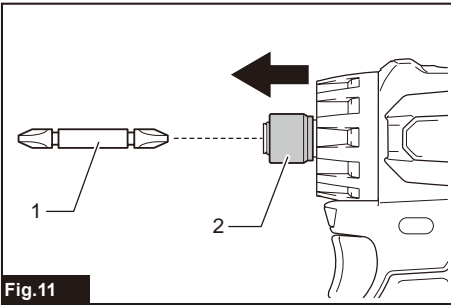
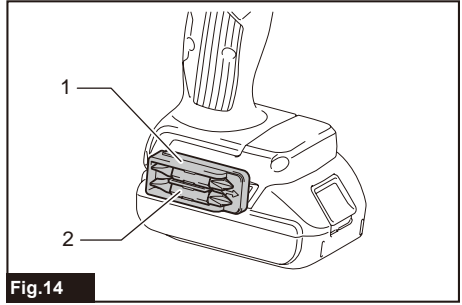
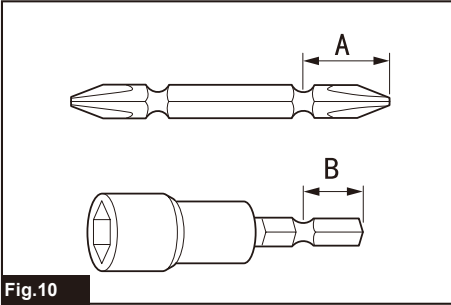
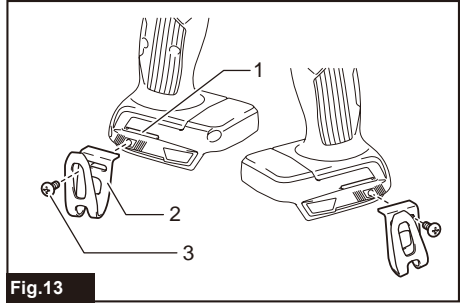
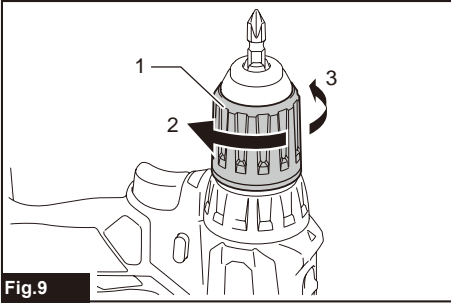


Fig.8



# SPECIFICATIONS

Model:	DDF483		DDF083	
Drilling capacities	Steel	13 mm		
	Wood	36 mm		
Fastening capacities	Wood screw	6 mm x 75 mm		
	Machine screw	M6		
No load speed	High (2)	0 - 1,700 min <sup>-1</sup>		
	Low (1)	0 - 500 min <sup>-1</sup>		
Overall length	162 mm		124 mm	
Rated voltage	D.C. 18 V			
Battery cartridge	BL1815N, BL1820, BL1820B	BL1830, BL1830B, BL1840, BL1840B, BL1850, BL1850B, BL1860B	BL1815N, BL1820, BL1820B	BL1830, BL1830B, BL1840, BL1840B, BL1850, BL1850B, BL1860B
Net weight	1.3 kg	1.5 kg	1.1 kg	1.3 kg

- Due to our continuing program of research and development, the specifications herein are subject to change without notice.
- Specifications and battery cartridge may differ from country to country.
- Weight, with battery cartridge, according to EPTA-Procedure 01/2003

## Intended use

The tool is intended for drilling and screw driving in wood, metal and plastic.

## Noise

The typical A-weighted noise level determined according to EN60745:

Sound pressure level ( $L_{pA}$ ): 77 dB(A)

Uncertainty (K): 3 dB(A)

The noise level under working may exceed 80 dB (A).

**⚠ WARNING: Wear ear protection.**

## Vibration

The vibration total value (tri-axial vector sum) determined according to EN60745:

Work mode: drilling into metal

Vibration emission ( $a_{h,D}$ ): 2.5 m/s<sup>2</sup> or less

Uncertainty (K): 1.5 m/s<sup>2</sup>

**NOTE:** The declared vibration emission value has been measured in accordance with the standard test method and may be used for comparing one tool with another.

**NOTE:** The declared vibration emission value may also be used in a preliminary assessment of exposure.

**⚠ WARNING:** The vibration emission during actual use of the power tool can differ from the declared emission value depending on the ways in which the tool is used.

**⚠ WARNING:** Be sure to identify safety measures to protect the operator that are based on an estimation of exposure in the actual conditions of use (taking account of all parts of the operating cycle such as the times when the tool is switched off and when it is running idle in addition to the trigger time).

## EC Declaration of Conformity

*For European countries only*

The EC declaration of conformity is included as Annex A to this instruction manual.

# SAFETY WARNINGS

## General power tool safety warnings

**⚠ WARNING: Read all safety warnings and all instructions.** Failure to follow the warnings and instructions may result in electric shock, fire and/or serious injury.

## Save all warnings and instructions for future reference.

The term "power tool" in the warnings refers to your mains-operated (corded) power tool or battery-operated (cordless) power tool.

## Cordless driver drill safety warnings

1. Use auxiliary handle(s), if supplied with the tool. Loss of control can cause personal injury.
2. Hold power tool by insulated gripping surfaces, when performing an operation where the cutting accessory may contact hidden wiring. Cutting accessory contacting a "live" wire may make exposed metal parts of the power tool "live" and could give the operator an electric shock.
3. Hold power tool by insulated gripping surfaces, when performing an operation where the fastener may contact hidden wiring. Fasteners contacting a "live" wire may make exposed metal parts of the power tool "live" and could give the operator an electric shock.
4. Always be sure you have a firm footing. Be sure no one is below when using the tool in high locations.
5. Hold the tool firmly.
6. Keep hands away from rotating parts.
7. Do not leave the tool running. Operate the tool only when hand-held.
8. Do not touch the drill bit or the workpiece immediately after operation; they may be extremely hot and could burn your skin.
9. Some material contains chemicals which may be toxic. Take caution to prevent dust inhalation and skin contact. Follow material supplier safety data.

## SAVE THESE INSTRUCTIONS.

**⚠ WARNING:** DO NOT let comfort or familiarity with product (gained from repeated use) replace strict adherence to safety rules for the subject product. MISUSE or failure to follow the safety rules stated in this instruction manual may cause serious personal injury.

## Important safety instructions for battery cartridge

1. Before using battery cartridge, read all instructions and cautionary markings on (1) battery charger, (2) battery, and (3) product using battery.
2. Do not disassemble battery cartridge.
3. If operating time has become excessively shorter, stop operating immediately. It may result in a risk of overheating, possible burns and even an explosion.
4. If electrolyte gets into your eyes, rinse them out with clear water and seek medical attention right away. It may result in loss of your eyesight.
5. Do not short the battery cartridge:
  - (1) Do not touch the terminals with any conductive material.
  - (2) Avoid storing battery cartridge in a container with other metal objects such as nails, coins, etc.

(3) Do not expose battery cartridge to water or rain.

A battery short can cause a large current flow, overheating, possible burns and even a breakdown.

6. Do not store the tool and battery cartridge in locations where the temperature may reach or exceed 50 °C (122 °F).
7. Do not incinerate the battery cartridge even if it is severely damaged or is completely worn out. The battery cartridge can explode in a fire.
8. Be careful not to drop or strike battery.
9. Do not use a damaged battery.
10. The contained lithium-ion batteries are subject to the Dangerous Goods Legislation requirements.  
For commercial transports e.g. by third parties, forwarding agents, special requirement on packaging and labeling must be observed.  
For preparation of the item being shipped, consulting an expert for hazardous material is required. Please also observe possibly more detailed national regulations.  
Tape or mask off open contacts and pack up the battery in such a manner that it cannot move around in the packaging.
11. Follow your local regulations relating to disposal of battery.

## SAVE THESE INSTRUCTIONS.

**⚠ CAUTION:** Only use genuine Makita batteries. Use of non-genuine Makita batteries, or batteries that have been altered, may result in the battery bursting causing fires, personal injury and damage. It will also void the Makita warranty for the Makita tool and charger.

## Tips for maintaining maximum battery life

1. Charge the battery cartridge before completely discharged. Always stop tool operation and charge the battery cartridge when you notice less tool power.
2. Never recharge a fully charged battery cartridge. Overcharging shortens the battery service life.
3. Charge the battery cartridge with room temperature at 10 °C - 40 °C (50 °F - 104 °F). Let a hot battery cartridge cool down before charging it.
4. Charge the battery cartridge if you do not use it for a long period (more than six months).

# FUNCTIONAL DESCRIPTION

**⚠ CAUTION:** Always be sure that the tool is switched off and the battery cartridge is removed before adjusting or checking function on the tool.

## Installing or removing battery cartridge

**⚠ CAUTION:** Always switch off the tool before installing or removing of the battery cartridge.

**⚠ CAUTION:** Hold the tool and the battery cartridge firmly when installing or removing battery cartridge. Failure to hold the tool and the battery cartridge firmly may cause them to slip off your hands and result in damage to the tool and battery cartridge and a personal injury.

► Fig.1: 1. Red indicator 2. Button 3. Battery cartridge

To remove the battery cartridge, slide it from the tool while sliding the button on the front of the cartridge.

To install the battery cartridge, align the tongue on the battery cartridge with the groove in the housing and slip it into place. Insert it all the way until it locks in place with a little click. If you can see the red indicator on the upper side of the button, it is not locked completely.

**⚠ CAUTION:** Always install the battery cartridge fully until the red indicator cannot be seen. If not, it may accidentally fall out of the tool, causing injury to you or someone around you.











**⚠ CAUTION:** Do not install the battery cartridge forcibly. If the cartridge does not slide in easily, it is not being inserted correctly.

## Indicating the remaining battery capacity

Only for battery cartridges with "B" at the end of the model number

► Fig.2: 1. Indicator lamps 2. Check button

Press the check button on the battery cartridge to indicate the remaining battery capacity. The indicator lamps light up for few seconds.

Indicator lamps	Remaining capacity				
<table border="1"><tr><td></td><td></td></tr><tr><td>Lighted</td><td>Off</td></tr></table>			Lighted	Off	
					
Lighted	Off				
	75% to 100%				
	50% to 75%				
	25% to 50%				
	0% to 25%				

**NOTE:** Depending on the conditions of use and the ambient temperature, the indication may differ slightly from the actual capacity.

## Tool / battery protection system

The tool is equipped with a tool/battery protection system. This system automatically cuts off power to the motor to extend tool and battery life. The tool will automatically stop during operation if the tool or battery is placed under one of the following conditions:

### Overload protection

When the tool/battery is operated in a manner that causes it to draw an abnormally high current, the tool automatically stops without any indication. In this situation, turn the tool off and stop the application that caused the tool to become overloaded. Then turn the tool on to restart.

### Overheat protection

When the tool/battery is overheated, the tool stops automatically. In this situation, let the tool/battery cool before turning the tool on again.

### Overdischarge protection

When the battery capacity is not enough, the tool stops automatically. In this case, remove the battery from the tool and charge the battery.

**NOTE:** Overheat protection (for battery) will work only with batteries with star marking.

► Fig.3: 1. Star marking

## Switch action

► Fig.4: 1. Switch trigger

**⚠ CAUTION:** Before installing the battery cartridge into the tool, always check to see that the switch trigger actuates properly and returns to the "OFF" position when released.

To start the tool, simply pull the switch trigger. Tool speed is increased by increasing pressure on the switch trigger. Release the switch trigger to stop.

**NOTE:** The tool automatically stops if you keep pulling the switch trigger for about 6 minutes.

## Lighting up the front lamp

► Fig.5: 1. Lamp

**⚠ CAUTION:** Do not look in the light or see the source of light directly.

Pull the switch trigger to light up the lamp. The lamp keeps on lighting while the switch trigger is being pulled. The lamp goes out approximately 10 seconds after releasing the switch trigger.

**NOTE:** When the tool is overheated, the tool stops automatically and the lamp starts flashing. In this case, release the switch trigger. The lamp turns off in one minute.

**NOTE:** Use a dry cloth to wipe the dirt off the lens of the lamp. Be careful not to scratch the lens of lamp, or it may lower the illumination.

## Reversing switch action

► **Fig.6:** 1. Reversing switch lever

**CAUTION:** Always check the direction of rotation before operation.

**CAUTION:** Use the reversing switch only after the tool comes to a complete stop. Changing the direction of rotation before the tool stops may damage the tool.

**CAUTION:** When not operating the tool, always set the reversing switch lever to the neutral position.

This tool has a reversing switch to change the direction of rotation. Depress the reversing switch lever from the A side for clockwise rotation or from the B side for counterclockwise rotation.

When the reversing switch lever is in the neutral position, the switch trigger cannot be pulled.

## Adjusting the fastening torque

► **Fig.8:** 1. Adjusting ring 2. Graduation 3. Arrow

The fastening torque can be adjusted in 21 levels by turning the adjusting ring. Align the graduations with the arrow on the tool body. You can get the minimum fastening torque at 1 and maximum torque at 20 marking. The clutch will slip at various torque levels when set at the number 1 to 20. The clutch does not work at the 21 marking.

Before actual operation, drive a trial screw into your material or a piece of duplicate material to determine which torque level is required for a particular application.

The following shows the rough guide of the relationship between the screw size and graduation.

Graduation		1	2	3	4	5	6	7	8	9	10	11	12	13	14	15	16	17	18	19	20
Machine screw		M4				M5										M6					
Wood screw	Soft wood (e.g. pine)	-				φ3.5 x 22				φ4.1 x 38				-							
	Hard wood (e.g. lauan)	-				φ3.5 x 22				φ4.1 x 38				-							

## ASSEMBLY

**CAUTION:** Always be sure that the tool is switched off and the battery cartridge is removed before carrying out any work on the tool.

## Speed change

► **Fig.7:** 1. Speed change lever

**CAUTION:** Always set the speed change lever fully to the correct position. If you operate the tool with the speed change lever positioned halfway between the "1" side and "2" side, the tool may be damaged.

**CAUTION:** Do not use the speed change lever while the tool is running. The tool may be damaged.

Displayed Number	Speed	Torque	Applicable operation
1	Low	High	Heavy loading operation
2	High	Low	Light loading operation

To change the speed, switch off the tool first. Push the speed change lever to display "2" for high speed or "1" for low speed but high torque. Be sure that the speed change lever is set to the correct position before operation.

If the tool speed is coming down extremely during the operation with display "2", push the lever to display "1" and restart the operation.

## Installing or removing driver bit/ drill bit

**For Model DDF483 (optional accessory)**

► **Fig.9:** 1. Sleeve 2. Close 3. Open

Turn the sleeve counterclockwise to open the chuck jaws. Place the driver bit/drill bit in the chuck as far as it will go. Turn the sleeve clockwise to tighten the chuck. To remove the driver bit/drill bit, turn the sleeve counterclockwise.

## Installing or removing driver bit/ socket bit

For Model DDF083 (optional accessory)

► Fig.10

Use only driver bit/socket bit that has inserting portion shown in the figure. Do not use any other driver bit/socket bit.

For tool with shallow driver bit hole

A=12mm B=9mm	Use only these type of driver bit. Follow the procedure 1. (Note) Bit-piece is not necessary.
-----------------	---

For tool with deep driver bit hole

A=17mm B=14mm	To install these types of driver bits, follow the procedure 1.
A=12mm B=9mm	To install these types of driver bits, follow the procedure 2. (Note) Bit-piece is necessary for installing the bit.

1. To install the driver bit, pull the sleeve in the direction of the arrow and insert the driver bit into the sleeve as far as it will go.  
Then release the sleeve to secure the driver bit.

► Fig.11: 1. Driver bit 2. Sleeve

2. To install the driver bit, pull the sleeve in the direction of the arrow and insert the bit-piece and driver bit into the sleeve as far as it will go. The bit-piece should be inserted into the sleeve with its pointed end facing in. Then release the sleeve to secure the driver bit.

► Fig.12: 1. Driver bit 2. Bit-piece 3. Sleeve

To remove the driver bit, pull the sleeve in the direction of the arrow and pull the driver bit out.

**NOTE:** If the driver bit is not inserted deep enough into the sleeve, the sleeve will not return to its original position and the driver bit will not be secured. In this case, try re-inserting the bit according to the instructions above.

**NOTE:** After inserting the driver bit, make sure that it is firmly secured. If it comes out, do not use it.

## Installing hook

► Fig.13: 1. Groove 2. Hook 3. Screw

The hook is convenient for temporarily hanging the tool. This can be installed on either side of the tool. To install the hook, insert it into a groove in the tool housing on either side and then secure it with a screw. To remove, loosen the screw and then take it out.

## Installing driver bit holder

Optional accessory

► Fig.14: 1. Driver bit holder 2. Driver bit

Fit the driver bit holder into the protrusion at the tool foot on either right or left side and secure it with a screw. When not using the driver bit, keep it in the driver bit holders. Driver bits 45 mm-long can be kept there.

## OPERATION

**CAUTION:** Always insert the battery cartridge all the way until it locks in place. If you can see the red indicator on the upper side of the button, it is not locked completely. Insert it fully until the red indicator cannot be seen. If not, it may accidentally fall out of the tool, causing injury to you or someone around you.

**CAUTION:** When the speed comes down extremely, reduce the load or stop the tool to avoid the tool damage.

Hold the tool firmly with one hand on the grip and the other hand on the bottom of the battery cartridge to control the twisting action.

► Fig.15

## Screwdriving operation


**CAUTION:** Adjust the adjusting ring to the proper torque level for your work.

**CAUTION:** Make sure that the driver bit is inserted straight in the screw head, or the screw and/or driver bit may be damaged.

Place the point of the driver bit in the screw head and apply pressure to the tool. Start the tool slowly and then increase the speed gradually. Release the switch trigger as soon as the clutch cuts in.

**NOTE:** When driving wood screw, pre-drill a pilot hole 2/3 the diameter of the screw. It makes driving easier and prevents splitting of the workpiece.

## Drilling operation

First, turn the adjusting ring so that the arrow points to the  marking. Then proceed as follows.

### Drilling in wood

When drilling in wood, the best results are obtained with wood drills equipped with a guide screw. The guide screw makes drilling easier by pulling the drill bit into the workpiece.

### Drilling in metal

To prevent the drill bit from slipping when starting a hole, make an indentation with a center-punch and hammer at the point to be drilled. Place the point of the drill bit in the indentation and start drilling. Use a cutting lubricant when drilling metals. The exceptions are iron and brass which should be drilled dry.



**⚠ CAUTION:** Pressing excessively on the tool will not speed up the drilling. In fact, this excessive pressure will only serve to damage the tip of your drill bit, decrease the tool performance and shorten the service life of the tool.

**⚠ CAUTION:** Hold the tool firmly and exert care when the drill bit begins to break through the workpiece. There is a tremendous force exerted on the tool/drill bit at the time of hole break through.

**⚠ CAUTION:** A stuck drill bit can be removed simply by setting the reversing switch to reverse rotation in order to back out. However, the tool may back out abruptly if you do not hold it firmly.

**⚠ CAUTION:** Always secure workpieces in a vise or similar hold-down device.


**⚠ CAUTION:** If the tool is operated continuously until the battery cartridge has discharged, allow the tool to rest for 15 minutes before proceeding with a fresh battery.

## Using the tool as a hand screwdriver

### ► Fig.16

Switch off the tool.

Move the reversing switch lever to the neutral position.

Turn the adjusting ring so that the arrow points to the  marking.

Turn the tool.

**NOTE:** This use is convenient for checking the screwdriving.

**NOTE:** Do not use the tool for work requiring excessive force, such as tightening bolt or removing rusted screws.

## MAINTENANCE

**⚠ CAUTION:** Always be sure that the tool is switched off and the battery cartridge is removed before attempting to perform inspection or maintenance.

**NOTICE:** Never use gasoline, benzine, thinner, alcohol or the like. Discoloration, deformation or cracks may result.

To maintain product SAFETY and RELIABILITY, repairs, any other maintenance or adjustment should be performed by Makita Authorized or Factory Service Centers, always using Makita replacement parts.

## OPTIONAL ACCESSORIES

**⚠ CAUTION:** These accessories or attachments are recommended for use with your Makita tool specified in this manual. The use of any other accessories or attachments might present a risk of injury to persons. Only use accessory or attachment for its stated purpose.

If you need any assistance for more details regarding these accessories, ask your local Makita Service Center.

- Drill bits
- Driver bits
- Driver bit holder
- Hook
- Makita genuine battery and charger

**NOTE:** Some items in the list may be included in the tool package as standard accessories. They may differ from country to country.

## SPECIFIKATIONER

Modell:		DDF483	DDF083
Borrkapaciteter	Stål	13 mm	
	Trä	36 mm	
Åtdragningskapaciteter	Tråskruv	6 mm x 75 mm	
	Maskinskruv	M6	
Hastighet utan belastning	Hög (2)	0 - 1 700 min <sup>-1</sup>	
	Låg (1)	0 - 500 min <sup>-1</sup>	
Total längd		162 mm	124 mm
Märkspänning		18 V likström	
Batterikassett	BL1815N, BL1820, BL1820B	BL1830, BL1830B, BL1840, BL1840B, BL1850, BL1850B, BL1860B	BL1815N, BL1820, BL1820B
Nettovikt	1,3 kg	1,5 kg	1,1 kg

- På grund av vårt pågående program för forskning och utveckling kan dessa specifikationer ändras utan föregående meddelande.
- Specifikationer och batterikassett kan variera mellan olika länder.
- Vikt, med batterikassett, i enlighet med EPTA-procedure 01/2003

### Avsedd användning

Maskinen är avsedd för borrar och skruvdragning i trä, metall och plast.

### Buller

Den normala bullernivån för A-belastning är bestämd enligt EN60745:  
Ljudtrycksnivå ( $L_{pA}$ ): 77 dB (A)  
Måttolerans (K): 3 dB (A)

Bullernivån vid arbete kan överstiga 80 dB (A).

**⚠ VARNING:** Använd hörselskydd.

### Vibration

Det totala vibrationsvärdet (treaxlad vektorsumma) bestämt enligt EN60745:

Arbetsläge: borrar i metall

Vibrationsemission ( $a_{h,D}$ ): 2,5 m/s<sup>2</sup> eller lägre

Måttolerans (K): 1,5 m/s<sup>2</sup>

**OBS:** Det deklarerade vibrationsemissionsvärdet har uppmätts i enlighet med standardtestmetoden och kan användas för att jämföra en maskin med en annan.

**OBS:** Det deklarerade vibrationsemissionsvärdet kan också användas i en preliminär bedömning av exponering för vibration.

**⚠ VARNING:** Vibrationsemissionen under faktisk användning av maskinen kan skilja sig från det deklarerade emissionsvärdet, beroende på hur maskinen används.

**⚠ VARNING:** Var noga med att identifiera säkerhetsåtgärder för att skydda användaren, vilka är grundade på en uppskattning av graden av exponering för vibrationer under de faktiska användningsförhållandena, (ta, förutom avtryckartiden, med alla delar av användarcykeln i beräkningen, som till exempel tiden då maskinen är avstängd och när den går på tomgång).

### EG-försäkran om överensstämmelse

*Gäller endast inom EU*

EG-försäkran om överensstämmelse inkluderas som bilaga A till denna bruksanvisning.

## SÄKERHETSVARNINGAR

### Allmänna säkerhetsvarningar för maskiner

**⚠ VARNING:** Läs igenom alla säkerhetsvarningar och anvisningar. Underlåtenhet att följa varningar och instruktioner kan leda till elstötar, brand och/eller allvarliga personskador.

### Spara alla varningar och instruktioner för framtida referens.

Termen "maskin" som anges i varningarna hänvisar till din eldrivna maskin (sladdansluten) eller batteridrivna maskin (sladdlös).

## Säkerhetsvarningar för sladdlös bormaskin

1. Använd extrahandtag om det levereras med maskinen. Om du förlorar kontrollen över maskinen kan det leda till personskador.
2. Håll maskinen i de isolerade handtagen om det finns risk för att skärverktyget kan komma i kontakt med en dold elkabel. Om skärverktyget kommer i kontakt med en "strömförande" ledning blir maskinens blottlagda metalldelar "strömförande" och kan ge operatören en elektrisk stöt.
3. Håll maskinen i de isolerade handtagen om det finns risk för att skruvdragaren kan komma i kontakt med en dold elkabel. Skruvdragare som kommer i kontakt med en "strömförande" kabel kan få sina blottlagda metalldelar "strömförande", vilket kan ge användaren en elektrisk stöt.
4. Se till att alltid ha ordentligt fotfäste. Se till att ingen står under dig när maskinen används på hög höjd.
5. Håll stadigt i maskinen.
6. Håll händerna på avstånd från roterande delar.
7. Lämnar inte maskinen igång. Använd endast maskinen när du håller den i händerna.
8. Rör inte vid borbbits eller arbetsstycke omedelbart efter användning eftersom de kan vara extremt varma och orsaka brännskador.
9. Vissa material kan innehålla giftiga kemikalier. Se till att du inte andas in damm eller får det på huden. Följ anvisningarna i leverantörens materialsäkerhetsblad.

## SPARA DESSA ANVISNINGAR.

**⚠ VARNING:** GLÖM INTE att också fortsättningsvis strikt följa säkerhetsanvisningarna för maskinen även efter att du blivit van att använda den. Vid FELAKTIG HANTERING av maskinen eller om inte säkerhetsanvisningarna i denna bruksanvisning följs kan följden bli allvarliga personskador.

## Viktiga säkerhetsanvisningar för batterikassetten

1. Innan batterikassetten används ska alla instruktioner och varningsmärken på (1) batteriladdaren, (2) batteriet och (3) produkten läsas.
2. Montera inte isär batterikassetten.
3. Om drifttiden blivit avsevärt kortare ska användningen avbrytas omedelbart. Det kan uppstå överhettning, brännskador och t o m en explosion.
4. Om du får elektrolyt i ögonen ska de sköljas med rent vatten och läkare uppsökas omedelbart. Det finns risk för att synen förloras.
5. Kortslut inte batterikassetten.
  - (1) Rör inte vid polerna med något strömförande material.
  - (2) Undvik att förvara batterikassetten tillsammans med andra metallobjekt som t.ex. spikar, mynt o.s.v.

- (3) Skydda batteriet mot vatten och regn. En batterikortslutning kan orsaka ett stort strömflöde, överhettning, brand och maskinhaveri.
6. Förvara inte maskinen och batterikassetten på platser där temperaturen kan nå eller överstiga 50 °C.
7. Bränn inte upp batterikassetten även om den är svårt skadad eller helt utsliten. Batterikassetten kan explodera i öppen eld.
8. Var försiktig så att du inte råkar tappa batteriet och utsätt det inte för stötar.
9. Använd inte ett skadat batteri.
10. De medföljande litiumjonbatterierna är föremål för kraven i gällande lagstiftning för farligt gods.

För kommersiella transporter (av t.ex. tredje parter som expeditionsfirmor) måste de särskilda transportkrav som anges på emballaget och etiketter iakttagas.

För att förbereda den produkt som ska avsändas krävs att du konsulterar en expert på riskmaterial. Var också uppmärksam på att det i ditt land kan finnas ytterligare föreskrifter att följa.

Tejpa över eller maskera blottade kontakter och packa batteriet på sådant sätt att det inte kan röra sig fritt i förpackningen.

11. Följ lokala föreskrifter beträffande avfallshantering av batteriet.

## SPARA DESSA ANVISNINGAR.

**⚠ FÖRSIKTIGT:** Använda endast äkta Makita-batterier. Användning av oäkta Makita-batterier eller batterier som har manipulerats kan leda till person- och utrustningsskador eller till att batteriet fattar eld. Det upphäver också Makitas garanti för verktyget och laddaren.

## Tips för att uppnå batteriets maximala livslängd

1. Ladda batterikassetten innan den är helt urladdad. Stanna alltid maskinen och ladda batterikassetten när du märker att maskinen blir svagare.
2. Ladda aldrig en fulladdad batterikassetten. Överladdning förkortar batteriets livslängd.
3. Ladda batterikassetten vid en rumstemperatur på 10 °C - 40 °C. Låt en varm batterikassetten svalna innan den laddas.
4. Ladda batterikassetten om du inte har använt den på länge (mer än sex månader).

# FUNKTIONSBESKRIVNING

**⚠ FÖRSIKTIGT:** Se alltid till att maskinen är avstängd och batterikassetten borttagen innan du justerar maskinen eller kontrollerar dess funktioner.

## Montera eller demontera batterikassetten

**⚠ FÖRSIKTIGT:** Stäng alltid av maskinen innan du monterar eller tar bort batterikassetten.

**⚠ FÖRSIKTIGT:** Håll stadigt i maskinen och batterikassetten när du monterar eller tar bort batterikassetten. I annat fall kan det leda till att de glider ur dina händer och orsakar skada på maskinen och batterikassetten samt personskada.

► **Fig.1:** 1. Röd indikator 2. Knapp 3. Batterikasset

Ta bort batterikassetten genom att skjuta ner knappen på kassetens framsida samtidigt som du drar ut batterikassetten.

Sätt i batterikassetten genom att rikta in tungan på batterikassetten mot spåret i höljet och skjut den på plats. Tryck in batterikassetten ordentligt tills den låser fast med ett klick. Om du kan se den röda indikatorn på knappens ovansida är den inte låst ordentligt.

**⚠ FÖRSIKTIGT:** Sätt alltid i batterikassetten helt tills den röda indikatorn inte längre syns. I annat fall kan den oöventat falla ur maskinen och skada dig eller någon annan.









**⚠ FÖRSIKTIGT:** Montera inte batterikassetten med våld. Om kassetten inte lätt glider på plats är den felinsatt.

## Indikerar kvarvarande batterikapacitet

*Gäller endast för batterikassetter med ett "B" på slutet i modellnumret*

► **Fig.2:** 1. Indikatorlampor 2. Kontrollknapp

Tryck på kontrollknappen på batterikassetten för att se kvarvarande batterikapacitet. Indikatorlamporna lyser i ett par sekunder.

Indikatorlampor		Återstående kapacitet
Upplyst	Av	
		75% till 100%
		50% till 75%
		25% till 50%
		0% till 25%

**OBS:** Beroende på användningsförhållanden och den omgivande temperaturen kan indikationen skilja sig lätt från den faktiska batterikapaciteten.

## Skyddssystem för maskinen/batteriet

Verktøget är utrustat med ett skyddssystem för verktyget/batteriet. Detta system bryter automatiskt strömmen till motorn för att förlänga verktygets och batteriets livslängd. Verktøget stoppar automatiskt under användningen om verktyget eller batteriet hamnar i en av följande situationer:

### Överbelastningsskydd

Om verktyget/batteriet används på ett sätt som gör att det drar onormalt mycket ström kan det stoppas automatiskt utan varning. När detta sker stänger du av verktyget och upphör med arbetet som gjorde att verktyget överbelastades. Starta därefter upp verktyget igen.

### Överhettningsskydd

När verktyget/batteriet överhettas stoppas verktyget automatiskt. I sådant fall ska du låta verktyget/batteriet svalna innan du startar verktyget igen.

### Överurladdningsskydd

När batteriets kapacitet är otillräcklig stoppar maskinen automatiskt. I sådant fall ska batteriet tas ur maskinen och laddas.

**OBS:** Överhettningsskydd (för batteri) fungerar endast med batterier som har en stjärnmarkering.

► **Fig.3:** 1. Stjärnmarkering

## Avtryckarens funktion

► **Fig.4:** 1. Avtryckare

**⚠ FÖRSIKTIGT:** Innan du sätter i batterikassetten i maskinen ska du kontrollera att avtryckaren fungerar och återgår till läget "OFF" när du släpper den.

Tryck in avtryckaren för att starta maskinen. Hastigheten ökas genom att trycka hårdare på avtryckaren. Släpp avtryckaren för att stoppa maskinen.

**OBS:** Verktøget stannar automatiskt om du håller in avtryckaren i ca 6 minuter.

## Tända frontlampan

► **Fig.5:** 1. Lampa

**⚠ FÖRSIKTIGT:** Titta inte in i ljuset eller direkt i ljuskällan.

Tryck på avtryckaren för att tända lampan. Lampan fortsätter att lysa så länge du håller avtryckaren intryckt. Lampan slöcknar ungefär 10 sekunder efter att du har släppt avtryckaren.

**OBS:** När verktyget överhettas stoppas det automatiskt och lampan börjar blinka. Släpp avtryckaren om detta inträffar. Lampan släcks inom en minut.

**OBS:** Använd en torr trasa för att torka bort smuts från lampglaset. Var försiktig så att inte lampglaset repas eftersom ljuset då kan bli svagare.

## Reverseringsspakens funktion

► Fig.6: 1. Reverseringsspak

**⚠ FÖRSIKTIGT:** Kontrollera alltid rotationsriktningen före användning.

**⚠ FÖRSIKTIGT:** Använd endast reverseringsknappen när maskinen har stoppat helt. Maskinen kan skadas om du byter rotationsriktning medan den fortfarande roterar.

**⚠ FÖRSIKTIGT:** Ställ alltid in reverseringsspaken i neutralt läge när du inte använder maskinen.

Denna maskin har en reverseringsknapp för byte av rotationsriktning. Tryck in reverseringsspaken från sida A för medurs rotation och från sida B för moturs rotation. När reverseringsspaken är i neutralt läge fungerar inte avtryckaren.

## Ställa in åtdragningsmomentet

► Fig.8: 1. Inställningsring 2. Gradering 3. Pål

Åtdragningsmomentet kan justeras i 21 steg genom att vrida på inställningsringen. Rikta in graderingssteget mot pilen på verktygskroppen. Vid 1 får du det minsta åtdragningsmomentet och vid 21 får du det maximala åtdragningsmomentet.

Kopplingen kommer att börja slira vid olika åtdragningsmoment när den ställs in på läge 1 till 20. Kopplingen fungerar inte vid 21 -markeringen.

Innan du börjar arbeta bör du skruva i en provskruv i ditt material eller i ett stycke av samma material så att du vet vilket vridmoment som passar för varje specifik användning.

Följande är en grov överblick över förhållandet mellan skruvdimensioner och graderingssteg.

Gradering	1	2	3	4	5	6	7	8	9	10	11	12	13	14	15	16	17	18	19	20		
Maskinskruv	M4				M5								M6									
Träskruv	Mjukt trä (t.ex. tall)	-				φ3,5 x 22				φ4,1 x 38				-								
	Hårt trä (t.ex. lauan)	-				φ3,5 x 22						φ4,1 x 38						-				

## MONTERING

**⚠ FÖRSIKTIGT:** Se alltid till att maskinen är avstängd och batterikassetten borttagen innan du underhåller maskinen.

## Hastighetsändring

► Fig.7: 1. Hastighetsspak

**⚠ FÖRSIKTIGT:** Dra alltid hastighetsspaken hela vägen i korrekt läge. Om du använder maskinen och hastighetsspaken står halvvägs mellan sida "1" och sida "2" kan maskinen skadas.

**⚠ FÖRSIKTIGT:** Ändra inte hastighetsspaken medan maskinen roterar. I annat fall kan maskinen skadas.

Visar siffror	Hastighet	Vridmoment	Aktuell drift
1	Låg	Hög	Drift med hög belastning
2	Hög	Låg	Drift med lätt belastning

Stäng av verktyget innan du ändrar hastighet. Flytta hastighetsspaken så att "2" visas för hög hastighet eller så att "1" visas för låg hastighet men högt vridmoment. Kontrollera att hastighetsspaken står i rätt läge före användning.

Om verktygets hastighet sänks extremt mycket under ett arbetsmoment i läget då siffran "2" visas flyttar du spaken så att "1" visas och startar om arbetsmomentet.

## Montering eller demontering av skruvbits/borr

För modell DDF483 (valfritt tillbehör)

► Fig.9: 1. Hylsa 2. Stäng 3. Öppna

Vrid hylsan moturs för att öppna chocken. Skjut in skruvbitset/borret i chocken så långt det går. Vrid hylsan medurs för att dra åt chocken. Vrid hylsan moturs när du ska ta bort skruvbitset/borret.

## Montering eller demontering av skruvbits eller hylsbits

För modell DDF083 (valfritt tillbehör)

► Fig.10

Använd endast skruvbits/hylsbits som har en isättande del enligt vad som visas i figuren. Använd inga andra bits.

För verktyg med grunt skruvbitshål

A = 12 mm B = 9 mm	Använd endast dessa typer av borrbits. Följ procedur 1. OBS! Bitsfäste är inte nödvändigt.
-----------------------	--

För verktyg med djupt borrbitshål

A = 17 mm B = 14 mm	För att montera dessa typer av skruvbits följer du procedur 1.
A = 12 mm B = 9 mm	För att montera dessa typer av skruvbits följer du procedur 2. OBS! Bitsfäste är nödvändigt för att installera bitset.

1. Montera skruvbitset genom att dra hylsan i pilens riktning och sätt i bitset i hylsan så långt det går. Släpp sedan hylsan för att fästa borrbitset.

► Fig.11: 1. Skruvbits 2. Hylsa

2. Dra hylsan i pilens riktning för att montera skruvbitset, och sätt i bitsfästet och skruvbitset i hylsan så långt det går. Bitsfästet ska föras in i hylsan med sin spetsiga ände vänd inåt. Släpp sedan hylsan för att fästa skruvbitset.

► Fig.12: 1. Skruvbits 2. Bitsfäste 3. Hylsa

Ta ut bitset genom att dra hylsan i pilens riktning och dra ut skruvbitset.

**OBS:** Om skruvbitset inte är isatt djupt nog i hylsan kommer inte hylsan att gå tillbaka till sitt ursprungliga läge och skruvbitset fästs inte. Försök då att sätta i bitset på nytt enligt instruktionerna ovan.

**OBS:** Efter att skruvbitset är isatt kontrollerar du att det är ordentligt fastskruvat. Om det åker ut ska du inte använda det.

## Monteringskrok

► Fig.13: 1. Spår 2. Krok 3. Skruv

Haken kan användas när du vill hänga upp verktyget temporärt. Den kan monteras på båda sidorna av maskinen. För att montera kroken sätter du i den i ett spår i maskinhuset på endera sida och drar fast den med en skruv. Ta bort kroken genom att skruva loss skruven.

## Montering av skruvbitshållare

Valfria tillbehör

► Fig.14: 1. Skruvbitshållare 2. Skruvbits

Passa in skruvbitshållaren på den utskjutande delen på verktygsfoten, antingen på höger eller vänster sida, och fäst den med en skruv.

Placera skruvbitset i hållaren när det inte används.

Skruvbits upp till 45 mm kan förvaras här.

## ANVÄNDNING

**⚠ FÖRSIKTIGT:** Skjut alltid in batterikassetten ordentligt tills den låses på plats. Om du kan se den röda indikatorn på knappens ovansida är den inte låst ordentligt. Skjut in den helt tills den röda indikatorn inte syns längre. I annat fall kan batterikassetten plötsligt lossna från maskinen och skada dig eller någon annan.

**⚠ FÖRSIKTIGT:** När hastigheten sjunker extremt mycket ska du minska belastningen eller stoppa maskinen för att undvika maskinskada.

Håll verktyget stadigt med en hand om handtaget och den andra handen under batteriet för att kontrollera vridningen.

► Fig.15

## Skruvdragning


**⚠ FÖRSIKTIGT:** Anpassa inställningsringen så att du får rätt åtdragningsmoment för ditt arbete.

**⚠ FÖRSIKTIGT:** Se till att skruvbitset placeras rakt i skruvskallen för att inte skruven och/eller skruvbitset ska skadas.

Placera spetsen på skruvbitset i skruvhuvudet och tryck med maskinen. Starta maskinen sakta och öka sedan hastigheten gradvis. Släpp avtryckaren så fort kopplingen slirar.

**OBS:** Vid skruvning med träskruv är det lämpligt att förborra ett styrehål som är två tredjedelar av skruvens diameter. Det gör skruvdragningen enklare och förhindrar att träet spricker.

## Borning

Vrid först inställningsringen så att pilen pekar mot markeringen . Fortsätt sedan enligt följande:

### Borra i trä

Vid borring i trä uppnår du bäst resultat om du använder ett träborr med styrskruv. Styrskraven gör det enklare att borra genom att den drar in borret i arbetsstycket.

### Borra i metall

För att borret inte ska halka när du börjar borra kan du göra ett märke med en syl och en hammare i punkten där hålet ska borras. Placera borrets spets i sylhålet och börja borra.

Använd ett smörjmedel vid borring i metall.

Undantagen är järn och mässing som ska borras torrt.

**⚠ FÖRSIKTIGT:** Borrningen går inte fortare för att du trycker hårdare på maskinen. Detta extra tryck skadar bara toppen på ditt borr, sänker maskinens prestanda och förkortar maskinens livslängd.

**⚠ FÖRSIKTIGT:** Håll ett stadigt tag i maskinen och var försiktig när borret börjar tränga igenom arbetsstycket. Det utvecklas en enorm kraft på maskinen/borret vid hålgenomslaget.

**⚠ FÖRSIKTIGT:** Ett borr som fastnat kan enkelt backas ur genom att reversera borringens rotationsriktning. Maskinen kan dock plötsligt backa ut om du inte håller i den ordentligt.

**⚠ FÖRSIKTIGT:** Fäst alltid arbetsstycken i ett städ eller liknande fasthållningsanordningar.

**⚠ FÖRSIKTIGT:** Om maskinen används löpande tills batteriet är tomt bör maskinen vila 15 minuter innan du fortsätter arbetet med ett laddat batteri.

Kontakta ditt lokala Makita servicecenter om du behöver ytterligare information om dessa tillbehör.

- Borr
- Skruvbits
- Skruvbitshållare
- Krok
- Makitas originalbatteri och -laddare


**OBS:** Några av tillbehören i listan kan vara inkluderade i maskinpaketet som standardtillbehör. De kan variera mellan olika länder.

## Använda maskinen som en handskruvmejsel

### ► Fig.16

Stäng av maskinen.

Flytta reverseringsspaken till dess neutrala position.

Vrid inställningsskruven så att pilen pekar på  -markeringen.

Vrid på verktyget.

**OBS:** Denna användning är bekväm för att kontrollera skruvdragningen.

**OBS:** Använd inte maskinen för arbete som kräver att du trycker hårt med den, såsom åtdragning av bultar eller för att ta bort rostiga skruvar.

## UNDERHÅLL

**⚠ FÖRSIKTIGT:** Se alltid till att maskinen är avstängd och batterikassetten borttagen innan inspektion eller underhåll utförs.

**OBSERVERA:** Använd inte bensin, förtunningsmedel, alkohol eller liknande. Missfärgning, deformation eller sprickor kan uppstå.

För att upprätthålla produktens SÄKERHET och TILLFÖRLITLIGHET bör allt underhålls- och justeringsarbete utföras av ett auktoriserat Makita servicecenter och med reservdelar från Makita.

## VALFRIA TILLBEHÖR

**⚠ FÖRSIKTIGT:** Följande tillbehör eller tillsatser rekommenderas för användning med den Makita-maskin som denna bruksanvisning avser. Om andra tillbehör eller tillsatser används kan det uppstå risk för personskador. Använd endast tillbehören eller tillsatserna för de syften de är avsedda för.

## TEKNISKE DATA

Modell:		DDF483	DDF083		
Borekapasitet	Stål	13 mm			
	Tre	36 mm			
Festekapasitet	Treskrue	6 mm x 75 mm			
	Maskinskrue	M6			
Hastighet uten belastning	Høy (2)	0 - 1 700 min <sup>-1</sup>			
	Lav (1)	0 - 500 min <sup>-1</sup>			
Total lengde		162 mm	124 mm		
Nominell spenning		DC 18 V			
Batteriinnsets		BL1815N, BL1820, BL1820B	BL1830, BL1830B, BL1840, BL1840B, BL1850, BL1850B, BL1860B	BL1815N, BL1820, BL1820B	BL1830, BL1830B, BL1840, BL1840B, BL1850, BL1850B, BL1860B
Nettovekt		1,3 kg	1,5 kg	1,1 kg	1,3 kg

- På grunn av vårt kontinuerlige forsknings- og utviklingsprogram kan spesifikasjonene som oppgis i dette dokumentet endres uten varsel.
- Spesifikasjoner og batteriinnsets kan variere fra land til land.
- Vekt, med batteriinnsets, i henhold til EPTA-prosedyre 01/2003

### Riktig bruk

Maskinen er beregnet til boring og skruing i tre, metall og plast.

### Støy

Typisk A-vektet lydtrykknivå er bestemt i henhold til EN60745:

Lydtrykknivå ( $L_{pA}$ ): 77 dB (A)

Usikkerhet (K): 3 dB (A)

Støynivået under arbeid kan overskride 80 dB (A).

**⚠ ADVARSEL:** Bruk hørselsvern.

### Vibrasjoner

Den totale vibrasjonsverdien (triaksial vektorsum) bestemt i henhold EN60745:

Arbeidsmodus: Bore inn i metall

Genererte vibrasjoner ( $a_{h,b}$ ): 2,5 m/s<sup>2</sup> eller mindre

Usikkerhet (K): 1,5 m/s<sup>2</sup>

**MERK:** Den angitte verdien for de genererte vibrasjonene er målt i samsvar med standardtestmetoden og kan brukes til å sammenlikne et verktøy med et annet.

**MERK:** Den angitte verdien for de genererte vibrasjonene kan også brukes til en foreløpig vurdering av eksponeringen.

**⚠ ADVARSEL:** De genererte vibrasjonene ved faktisk bruk av elektroverktøyet kan avvike fra den angitte vibrasjonsverdien, avhengig av hvordan verktøyet brukes.

**⚠ ADVARSEL:** Sørg for å identifisere vernetiltak for å beskytte operatøren, som er basert på et estimat av eksponeringen under de faktiske bruksforholdene (idet det tas hensyn til alle deler av driftssyklusen, dvs. hvor lenge verktøyet er slått av, hvor lenge det går på tomgang og hvor lenge startbryteren faktisk holdes trykket).

### EFs samsvarserklæring

*Gjelder kun for land i Europa*

EFs samsvarserklæring er lagt til som vedlegg A i denne bruksanvisningen.

## SIKKERHETSADVARSEL

### Generelle advarsler angående sikkerhet for elektroverktøy

**⚠ ADVARSEL:** Les alle sikkerhetsadvarslene og alle instruksjonene. Hvis du ikke følger alle advarslene og instruksjonene som er oppført nedenfor, kan det føre til elektriske støt, brann og/eller alvorlige helseskader.

### Oppbevar alle advarsler og instruksjoner for senere bruk.

Uttrykket «elektrisk verktøy» i advarslene refererer både til elektriske verktøy (med ledning) tilkoblet strømmettet, og batteridrevne verktøy (uten ledning).



## Sikkerhetsadvarsler for den batteridrevne borskrutrekkeren

1. Bruk hjelpehåndtak, hvis det (de) følger med maskinen. Hvis maskinen kommer ut av kontroll, kan det resultere i helseskader.
2. Hold maskinen i det isolerte håndtaket når skjæreverketøyet kan komme i kontakt med skjulte ledninger under arbeidet. Hvis kuttetilbehøret kommer i kontakt med «strømførende» ledninger, kan ikke isolerte metalldele i maskinen bli «strømførende» og kunne gi brukeren elektrisk støt.
3. Hold maskinen i det isolerte håndtaket når festemidlet kan komme i kontakt med skjulte ledninger under arbeidet. Hvis skruer eller bolter kommer i kontakt med en «strømførende» ledning, kan metalldelene på det elektriske verktøyet bli «strømførende» og føre til at brukeren får støt.
4. Pass på at du har godt fotfeste. Forviss deg om at ingen står under deg når du jobber høyt over bakken.
5. Hold godt fast i verktøyet.
6. Hold hendene unna roterende deler.
7. Ikke gå fra verktøyet mens det er i gang. Verktøyet må bare brukes mens operatøren holder det i hendene.
8. Ikke berør bor eller arbeidsstykke umiddelbart etter bruk. Disse vil da være ekstremt varme, og du kan få brannår.
9. Enkelte materialer inneholder kjemikalier som kan være giftige. Treff tiltak for å hindre hudkontakt og innånding av støv. Følg leverandørens sikkerhetsanvisninger.

## TA VARE PÅ DISSE INSTRUKSENE.

**⚠ADVARSEL:** IKKE LA HENSYNET til hva som er "behagelig" eller det faktum at du kjenner produktet godt (etter mange gangers bruk) gjøre deg mindre oppmerksom på sikkerhetsreglene for bruken av det aktuelle produktet. Ved MISBRUK eller hvis ikke sikkerhetsreglene i denne bruksanvisningen følges, kan det oppstå alvorlig personskade.

## Viktige sikkerhetsanvisninger for batteriinnsats

1. Før du begynner å bruke batteriet, må du lese alle anvisninger og forsiktighetsregler på (1) batteriladeren, (2) batteriet og (3) det produktet batteriet skal brukes i.
2. Ikke ta fra hverandre batteriet.
3. Hvis driftstiden er blitt vesentlig kortere, må du omgående slutte å bruke maskinen. Hvis ikke kan resultatet bli overoppheting, mulige forbrenninger eller til og med en eksplosjon.
4. Hvis du får elektrolytt i øynene, må du skylle dem med store mengder rennende vann og oppsøke lege med én gang. Denne typen uhell kan føre til varig blindhet.

## 5. Ikke kortslutt batteriet

- (1) De kan være ekstremt varme og du kan brenne deg.
- (2) Ikke lagre batteriet i samme beholder som andre metallgjenstander, som for eksempel spiker, mynter osv.
- (3) Ikke la batteriet komme i kontakt med vann eller regn.

En kortslutning av batteriet kan føre til et kraftig strømstøt, overoppheting, mulige forbrenninger og til og med til at batteriet går i stykker.

6. Ikke lagre maskinen og batteriet på steder hvor temperaturen kan komme opp i eller overskride 50 °C.
7. Ikke sett fyr på batteriet, ikke engang om det er sterkt skadet eller helt utslitt. Batteriet kan eksplodere hvis det begynner å brenne.
8. Vær forsiktig så du ikke mister batteriet eller utsetter det for slag.
9. Ikke bruk batterier som er skadet.
10. Lithium-ion-batteriene som medfølger er gjensidig for krav om spesialavfall. For kommersiell transport, f.eks av tredjeparter eller speditorer, må spesielle krav om pakking og merking følges. Før varen blir sendt, må du forhøre deg med en ekspert på farlig materiale. Ta også hensyn til muligheten for mer detaljerte nasjonale bestemmelser. Bruk teip eller maskeringsteip for å skjule åpne kontakter og pakk inn batteriet på en slik måte at den ikke kan bevege seg rundt i emballasjen.
11. Følg lokale bestemmelser for avhending av batterier.

## TA VARE PÅ DISSE INSTRUKSENE.

**⚠FORSIKTIG:** Bruk kun originale Makita-batterier. Bruk av batterier som har endret seg, eller som ikke er originale Makita-batterier, kan føre til at batteriet sprekker og forårsaker brann, personskader og andre skader. Det vil også ugyldiggjøre garantien for Makita-verktøyet og -laderen.

## Tips for å opprettholde maksimal batterilevetid

1. Lad batteriinnsetningen før den er helt utladet. Stopp alltid driften av verktøyet og lad batteriinnsetningen når du merker at effekten reduseres.
2. Lad aldri en batteriinnsetning som er fulladet. Overopplading forkorter batteriets levetid.
3. Lad batteriet i romtemperatur ved 10 °C - 40 °C. Et varmt batteri må kjøles ned før lading.
4. Lad batteriet hvis det ikke har vært brukt på en lang stund (over seks måneder).

# FUNKSJONS BESKRIVELSE

**⚠ FORSIKTIG:** Forviss deg alltid om at maskinen er slått av og batteriet tatt ut før du justerer maskinen eller kontrollerer dens mekaniske funksjoner.

## Sette inn eller ta ut batteri

**⚠ FORSIKTIG:** Slå alltid av verktøyet før du setter inn eller fjerner batteriet.

**⚠ FORSIKTIG:** Hold verktøyet og batteripatronen i et fast grep når du monterer eller fjerner batteripatronen. Hvis du ikke holder verktøyet og batteripatronen godt fast, kan du miste grepet, og dette kan føre til skader på verktøyet og batteripatronen samt personskader.

► Fig.1: 1. Rød indikator 2. Knapp 3. Batteriinnsets

For å ta ut batteriet må du skyve på knappen foran på batteriet og trekke det ut.

Når du skal sette inn batteriet, må du plassere tungen på batteriet på linje med sporet i huset og skyve batteriet på plass. Skyv det helt inn til det går i inngrep med et lite klikk. Hvis du kan se den røde anviseren på oversiden av knappen, er det ikke fullstendig låst.

**⚠ FORSIKTIG:** Batteriet må alltid settes helt inn, så langt at den røde anviseren ikke lenger er synlig. Hvis dette ikke gjøres, kan batteriet komme til å falle ut av maskinen og skade deg eller andre som oppholder seg i nærheten.

**⚠ FORSIKTIG:** Ikke bruk makt når du setter i batteriet. Hvis batteriet ikke gli lett inn, er det fordi det ikke settes inn på riktig måte.

## Indikere gjenværende batterikapasitet

**Kun for batterier med «B» sist i modellnummeret**

► Fig.2: 1. Indikatorlamper 2. Kontrollknapp

Trykk på sjekk-knappen på batteriet for vise gjenværende batterikapasitet. Indikatorlampene lyser i et par sekunder.

Indikatorlamper		Gjenværende batterinivå
Tent	Av	
■ ■ ■ ■ ■	□	75% til 100%
■ ■ ■ □	□	50% til 75%
■ ■ □ □	□	25% til 50%
■ □ □ □	□	0% til 25%

**MERK:** Det angitte nivået kan avvike noe fra den faktiske kapasiteten alt etter bruksforholdene og den omgivende temperaturen.

## Batterivernsystem for verktøy/batteri

Verktøyet er utstyrt med et batterivernsystem for verktøy/batteri. Dette systemet kutter automatisk strømmen til motoren for å forlenge verktøyets og batteriets levetid. Verktøyet stopper automatisk under drift hvis verktøyet eller batteriet utsettes for en av følgende tilstander:

### Overlastsikring

Når verktøyet/batteriet brukes på en måte som gjør at det bruker unormalt mye strøm, vil verktøyet stoppe automatisk og uten forvarsel. I dette tilfellet må du slå av verktøyet og avslutte bruken som forårsaket at verktøyet ble overbelastet. Slå deretter verktøyet på for å starte det igjen.

### Overopphetingsvern

Når verktøyet/batteriet er overopphetet, stopper verktøyet automatisk. I dette tilfellet må du la verktøyet/batteriet avkjøles før du starter verktøyet på nytt.

### Overutladningsvern

Når det blir batterikapasiteten er utilstrekkelig, stopper verktøyet automatisk. I så fall fjerner du batteriet fra verktøyet og lader det.

**MERK:** Beskyttelsen mot overoppheting (av batteriet) virker bare for stjernemerke batterier.

► Fig.3: 1. Stjernemerking

## Bryterfunksjon

► Fig.4: 1. Startbryter

**⚠ FORSIKTIG:** Før du setter batteriet inn i maskinen, må du alltid kontrollere at startbryteren aktiverer maskinen på riktig måte og går tilbake til «AV»-stilling når den slippes.

For å starte maskinen, må du trykke på startbryteren. Når du trykker hardere på startbryteren, øker hastigheten på verktøyet. Slipp opp bryteren for å stanse verktøyet.

**MERK:** Verktøyet stopper automatisk hvis du holder inne startbryteren i mer enn 6 minutter.

## Tenne frontlampen

► Fig.5: 1. Lampe

**⚠ FORSIKTIG:** Ikke se inn i lyset eller se direkte på lyskilden.

Trykk inn startbryteren for å tenne lampen. Lampen fortsetter å lyse så lenge startbryteren holdes inne. Lampen slukkes omtrent 10 sekunder etter at startbryteren er sluppet.

**MERK:** Når verktøyet er overopphetet, stanser det automatisk, og lampen begynner å blinke. Hvis så er tilfelle, utløs startbryteren. Lampen slukkes i løpet av ett minutt.

**MERK:** Bruk en tørr klut til å tørke støv osv. av lampelinsen. Vær forsiktig så det ikke blir riper i lampelinsen, da dette kan redusere lysstyrken.

## Reverseringsfunksjon

► Fig.6: 1. Reverseringsspak

**⚠FORSIKTIG:** Før arbeidet begynner, må du alltid kontrollere rotasjonsretningen.

**⚠FORSIKTIG:** Bruk reversbryteren bare etter at verktøyet har stoppet helt. Hvis du endrer rotasjonsretningen før verktøyet har stoppet, kan det bli ødelagt.



**⚠FORSIKTIG:** Når du ikke skal bruke maskinen lenger, må du alltid sette reversbryteren i nøytral stilling.

Dette verktøyet har en reversbryter som kan brukes til å endre rotasjonsretningen. Trykk inn reversbryteren fra «A»-siden for å velge rotasjon med klokken, eller fra «B»-siden for å velge rotasjon mot klokken.

Når reversbryteren er i nøytral stilling, kan ikke startbryteren trykkes inn.

## Justere tiltrekkingsmomentet

► Fig.8: 1. Justeringsring 2. Gradinndeling 3. Pil

Tiltrekkingsmomentet kan justeres i 21 nivåer ved å dreie justeringsringen. Rett inn gradinndelingen med pilen på verktøykroppen. Du oppnår minimum tiltrekkingsmoment i posisjon 1 og maksimalt dreiemoment ved -merket. Clutchen vil slure på forskjellige momentnivåer når den er innstilt på nummer 1 til 20. Kløtsjen fungerer ikke ved -merking.

Før den faktiske arbeidsoperasjonen skal utføres, bør du skru inn en prøveskrue i materialet ditt, eller i et materiale av samme type, for å finne ut hvilket dreiemoment som kreves for en bestemt bruk.

Følgende viser en oversikt over forholdet mellom størrelse på skruen og gradinndelingen.

Gradinndeling	1	2	3	4	5	6	7	8	9	10	11	12	13	14	15	16	17	18	19	20			
Maskinskrue	M4				M5								M6										
Treskrue	Mykt tre (f.eks. furu)				–				φ3,5 x 22				φ4,1 x 38				–						
	Hardt tre (f.eks. kryssfinér)				–				φ3,5 x 22				φ4,1 x 38				–						

## MONTERING

**⚠FORSIKTIG:** Forviss deg alltid om at maskinen er slått av og batteriet tatt ut før du utfører noe arbeid på maskinen.

## Turtallsending

► Fig.7: 1. Hastighetsvelger

**⚠FORSIKTIG:** Hastighetsvelgeren må alltid settes i helt riktig posisjon. Hvis du bruker maskinen med hastighetsvelgeren innstilt på et punkt midt mellom posisjon «1» og «2», kan maskinen bli ødelagt.

**⚠FORSIKTIG:** Ikke bruk hastighetsvelgeren mens verktøyet er i bruk. Dette kan skade verktøyet.

Vist nummer	Hastighet	Moment	Aktuell drift
1	Lav	Høy	Drift med tung last
2	Høy	Lav	Drift med lett last

Slå av verktøyet før du endrer hastighet. Skyv hastighetsvelgeren slik at den viser "2" for høy hastighet eller "1" for lav hastighet med høyt dreiemoment. Forviss deg om at hastighetsvelgeren er i riktig posisjon før du tar i bruk maskinen.

Hvis hastigheten på verktøyet reduseres betydelig under drift mens displayet viser "2", skyver du velgeren til displayet viser "1" og starter operasjonen på nytt.

## Montere eller demontere skrutrekkerbor eller bor

**For modellen DDF483 (valgfritt tilbehør)**

► Fig.9: 1. Hylse 2. Lukke 3. Åpne

Skru mansjettene mot klokken for å åpne kjevene på kjoksen. Sett skrutrekkerboret/boret så langt inn i kjoksen som det vil gå. Vri mansjettene med klokken for å stramme kjoksen. For å fjerne skrutrekkerboret/boret må du vri mansjettene mot klokken.

## Montere eller demontere skrutrekkerbor eller hulbor

### For modellen DDF083 (valgfritt tilbehør)

#### ► Fig.10

Bruk bare skrutrekkerbor eller hulbor som har åpningsdimensjoner som vist i figuren. Ikke bruk andre skrutrekkerbor/hulbor.

### For verktøy med grunt skrutrekkerborehull

A = 12 mm B = 9 mm	Bruk bare denne typen skrutrekkerbor. Følg fremgangsmåte 1. (Merk) det er ikke nødvendig med bordelen.
-----------------------	--

### For verktøy med dypt skrutrekkerborehull

A = 17 mm B = 14 mm	Du installerer disse skrutrekkerborene ved å følge fremgangsmåte 1.
A = 12 mm B = 9 mm	Du installerer disse skrutrekkerborene ved å følge fremgangsmåte 2. (Merk) Du trenger bordelen for å installere boret.

1. Hvis du vil montere skrutrekkerboret må du dra hylsen i pilretningen og sette skrutrekkerboret så langt inn i hylsen som mulig. Deretter fjerner du hylsen for å feste skrutrekkerboret.

#### ► Fig.11: 1. Skrutrekkerbor 2. Hylse

2. For å montere skrutrekkerboret, må du dra hylsen i pilretningen og sette bordelen og boret så langt inn i hylsen som mulig. Bitsstykket settes inn i kjoksen slik at den spisse enden peker innover. Slipp deretter kjoksen for å feste skrutrekkerboret.

#### ► Fig.12: 1. Skrutrekkerbor 2. Bits-del 3. Hylse

For å demontere skrutrekkerboret må du dra hylsen i pilretningen og dra skrutrekkerboret ut.

**MERK:** Hvis skrutrekkerboret ikke settes langt nok inn i hylsen, går ikke hylsen tilbake til utgangsposisjon og skrutrekkerboret sikres ikke. I slike tilfeller må du prøve å sette inn bitset på nytt i henhold til instruksene over.

**MERK:** Når skrutrekkerboret er satt inn, må du forsikre deg om at det sitter godt. Hvis det faller ut, må du ikke bruke det.

## Monteringskrok

#### ► Fig.13: 1. Spor 2. Krok 3. Skrue

Kroken er praktisk for å henge opp verktøyet med for kortere tid. Den kan monteres på begge sider av verktøyet. For å montere kroken, må du sette den inn i sporet på en av sidene av verktøyhuset og feste den med en skrue. Ta den av igjen ved å løsne skruen.

## Valgfritt tilbehør

### Valgfritt tilbehør

#### ► Fig.14: 1. Skrutrekkerborholder 2. Skrutrekkerbor

Sett skrutrekkerborholderen inn i fremspringet på foten av maskinen, enten på høyre eller venstre side og fest den med en skrue.

Når du ikke bruker skrutrekkerboret, må du oppbevare det i skrutrekkerborholderne. Her kan det oppbevares opptil 45 mm lange skrutrekkerbor.

## BRUK

**⚠ FORSIKTIG:** Batteriet må alltid settes helt inn, til det låses på plass. Hvis du kan se den røde anviseren på oversiden av knappen, er det ikke fullstendig låst. Sett batteriet helt inn, så langt at den røde anviseren ikke lenger er synlig. Hvis dette ikke gjøres, kan batteriet falle ut av maskinen og skade deg eller andre som oppholder seg i nærheten.

**⚠ FORSIKTIG:** Når hastigheten reduseres kraftig, må du redusere belastningen på verktøyet eller stoppe det for å unngå skade på verktøyet.

Hold maskinen godt med en hånd på håndtaket og den andre hånden nederst på batteripatronen for å holde kontroll på svinge-bevegelsene.

#### ► Fig.15

## Skrutrekkerfunksjon


**⚠ FORSIKTIG:** Bruk justeringsringen til å stille inn korrekt momentnivå for den jobben du skal gjøre.

**⚠ FORSIKTIG:** Pass på at skrutrekkerbitset er satt rett ned i skruhodet, ellers kan skruen og/eller skrutrekkerboret bli skadet.

Plasser spissen av boret i skruhodet og bruk trykk på verktøyet. Start verktøyet sakte. Øk hastigheten gradvis. Slipp opp startbryteren når clutchen slår inn.

**MERK:** Når du skrur inn en treskrue, må du forhåndsbore et pilot hull på 2/3 av skruens diameter. Dette gjør det enklere å skru inn skruen, og hindrer at treverket sprekker.

## Borfunksjon

Vri først justeringsringen slik at pilen peker mot -merket. Fortsett deretter som følger.

## Bore i tre

Når du borer i tre, blir resultatene best med trebor som er utstyrt med en ledeskrue. Ledeskruen forenkler boringen ved at den trekker skrutrekkerboret inn i arbeidsstykket.

## Bore i metall

For at ikke skrutrekkerboret skal gli når du begynner å bore, må du lage en fordykning med en dor og en hammer der hullet skal bores. Sett spissen av skrutrekkerboret i fordypningen og begynn å bore. Bruk en skjærevæske når du borer i metall. Unntakene er jern og messing som skal bores tørt.

**⚠FORSIKTIG:** Hvis du bruker for mye kraft på verktøyet, vil det ikke øke borehastigheten. Overdreven bruk av kraft vil tvert imot kunne bidra til å ødelegge spissen av skrutrekkerboret, redusere verktøyeffekten og forkorte verktøyets levetid.

**⚠FORSIKTIG:** Hold verktøyet i et fast grep, og vær forsiktig når skrutrekkerboret begynner å bryte gjennom arbeidsstykket. I gjennombruddsøyeblikket virker det en enorm kraft på verktøyet/skrutrekkerboret.

**⚠FORSIKTIG:** Et skrutrekkerbor som sitter fast kan fjernes hvis du setter reversbryteren til motsatt rotasjonsretning, så verktøyet kan bakke ut. Verktøyet kan imidlertid komme brått ut hvis du ikke holder det i et fast grep.

**⚠FORSIKTIG:** Arbeidsstykker må alltid festes med en skrustikke eller en liknende festeanordning.


**⚠FORSIKTIG:** Hvis verktøyet brukes kontinuerlig inntil batteriet er utladet, må du la verktøyet hvile i 15 minutter før du fortsetter med et nytt batteri.

## Bruke verktøyet som manuell skrutrekker

### ► Fig.16

Slå av verktøyet.

Sett reverseringsspaken i nøytral posisjon.

Drei justeringsringen slik at pilen peker mot -merket. Drei verktøyet.

**MERK:** Slik bruk er nyttig ved kontroll av skruingen.

**MERK:** Ikke bruk maskinen til arbeid som krever stor kraft, som f.eks. festing av skruer eller fjerning av rustne skruer.

## VEDLIKEHOLD

**⚠FORSIKTIG:** Forviss deg alltid om at maskinen er slått av og batteriet tatt ut før du foretar inspeksjon eller vedlikehold.

**OBS:** Aldri bruk gasolin, bensin, tynner alkohol eller lignende. Det kan føre til misfarging, deformering eller sprekkdannelse.

For å opprettholde produktets SIKKERHET og PALTELIGHET, må reparasjoner, vedlikehold og justeringer utføres av autoriserte Makita servicesentre eller fabrikk-servicesentre, og det må alltid brukes reservedeler fra Makita.

## VALGFRITT TILBEHØR

**⚠FORSIKTIG:** Det anbefales at du bruker dette tilbehøret eller verktøyet sammen med den Makita-maskinen som er spesifisert i denne håndboken. Bruk av annet tilbehør eller verktøy kan forårsake personskader. Tilbehør og verktøy må kun brukes til det formålet det er beregnet på.

Ta kontakt med ditt lokale Makita-servicesenter hvis du trenger mer informasjon om dette tilbehøret.

- Bor
- Skrutrekkerbor
- Skrutrekkerborholder
- Krok
- Makita originalbatteri og lader

**MERK:** Enkelte elementer i listen kan være inkludert som standardtilbehør i verktøypakken. Elementene kan variere fra land til land.

## TEKNISET TIEDOT

Malli:	DDF483		DDF083	
Porauskapasiteetti	Teräs	13 mm		
	Puu	36 mm		
Kiinnityskapasiteetti	Puuruuvi	6 mm x 75 mm		
	Koneruuvi	M6		
Kuormittamaton kierrosnopeus	Korkea (2)	0 - 1 700 min <sup>-1</sup>		
	Matala (1)	0 - 500 min <sup>-1</sup>		
Kokonaispituus	162 mm		124 mm	
Nimellisjännite	DC 18 V			
Akkupaketti	BL1815N, BL1820, BL1820B	BL1830, BL1830B, BL1840, BL1840B, BL1850, BL1850B, BL1860B	BL1815N, BL1820, BL1820B	BL1830, BL1830B, BL1840, BL1840B, BL1850, BL1850B, BL1860B
Nettopaino	1,3 kg	1,5 kg	1,1 kg	1,3 kg

- Jatkuvasta tutkimus- ja kehitystyöstämme johtuen esitetyt tekniset tiedot saattavat muuttua ilman erillistä ilmoitusta.
- Tekniset tiedot ja akkupaketti voivat vaihdella maittain.
- Paino akkupaketilla, EPTA-menettelyn 01/2003 mukaan

### Käyttötarkoitus

Työkalu on tarkoitettu puun, metallin ja muovin poraamiseen ja ruuvaamiseen.

### Melutaso

Tyypillinen A-painotettu melutaso määräytyy standardin EN60745 mukaan:

Äänenpainetaso ( $L_{pA}$ ): 77 dB (A)

Virhemarginaali (K): 3 dB (A)

Työskentelyn aikana melutaso voi ylittää 80 dB (A).

**VAROITUS:** Käytä kuulosuojaimia.

### Tärinä

Kokonaistärinä (kolmen akselin vektorin summa) määräytyy standardin EN60745 mukaan:

Työtila: metalliin poraus

Tärinäpäästö ( $a_{h,D}$ ): 2,5 m/s<sup>2</sup> tai alhaisempi

Virhemarginaali (K): 1,5 m/s<sup>2</sup>

**HUOMAA:** Ilmoitettu tärinäpäästöarvo on mitattu standarditestausmenetelmän mukaisesti, ja sen avulla voidaan vertailla työkaluja keskenään.

**HUOMAA:** Ilmoitettua tärinäpäästöarvoa voidaan käyttää myös altistumisen alustavaan arviointiin.

**VAROITUS:** Työkalun käytön aikana mitattu todellinen tärinäpäästöarvo voi poiketa ilmoitetusta tärinäpäästöarvosta työkalun käyttötavan mukaan.

**VAROITUS:** Selvitä käyttäjän suojaamiseksi tarvittavat varoimet todellisissa käyttöolosuhteissa tapahtuvan arvioidun altistumisen mukaisesti (ottaen huomioon käyttöjakso kokonaisuudessaan, myös jaksot, joiden aikana työkalu on sammutettuna tai käy tyhjäkäynnillä).

### EY-vaatimustenmukaisuusvakuutus

*Koskee vain Euroopan maita*

EY-vaatimustenmukaisuusvakuutus on liitetty tähän käyttöoppaaseen.

## TURVAVAROITUKSET

### Sähkötyökalujen käyttöä koskevat yleiset varoitukset

**VAROITUS:** Lue huolellisesti kaikki turvallisuusvaroitukset ja käyttöohjeet. Jos varoitusten ja ohjeiden noudattaminen laiminlyödään, seurauksena voi olla sähköiskku, tulipalo ja/tai vakava vammautuminen.

### Säilytä varoitukset ja ohjeet tulevaa käyttöä varten.

Varoituksissa käytettävällä termillä "sähkötyökalu" tarkoitetaan joko verkkovirtaa käyttävää (johdollista) työkalua tai akkukäyttöistä (johdotonta) työkalua.

## Akkupakoneen turvavaroitukset

1. Käytä työkalun mukana mahdollisesti toimitettua lisäkahvaa tai kahvoja. Hallinnan menetys voi aiheuttaa henkilövahinkoja.
2. Kun suoritat toimenpidettä, jossa leikkaustyökalu voi joutua kosketukseen piilossa olevien johtojen kanssa, pidä kiinni työkalusta sen eristetyin tarttumispinnan kohdalta. Jos leikkaustyökalu joutuu kosketukseen jännitteisen johdon kanssa, jännite voi siirtyä työkalun sähköjohtaviin metalliosiin ja aiheuttaa käyttäjälle sähköiskun.
3. Pitele sähkötyökalua sen eristetyistä tartuntapinnoista silloin, kun on mahdollista, että kiinnitystarvikke saattaa osua piilossa oleviin johtoihin. Kiinnitystarvikkeen osuminen jännitteeseen johtoon voi johtaa jännitteen työkalun sähköjohtaviin metalliosiin ja aiheuttaa käyttäjälle sähköiskun.
4. Seiso aina tukevassa asennossa. Varmista korkealla työskennellessäsi, että ketään ei ole alapuolella.
5. Ota koneesta luja ote.
6. Pidä kädet loitolla pyörivistä osista.
7. Älä jätä konetta käymään itseksensä. Käytä laitetta vain silloin, kun pidät sitä kädessä.
8. Älä kosketa terää tai työkalupäätä välittömästi käytön jälkeen, sillä ne voivat olla erittäin kuumia ja aiheuttaa palovammoja.
9. Jotkin materiaalit sisältävät kemikaaleja, jotka voivat olla myrkyllisiä. Huolehdi siitä, että pölyn sisäänhengittäminen ja ihokosketus estetään. Noudata materiaalin toimittajan turvaohjeita.

## SÄILYTÄ NÄMÄ OHJEET.

**VAROITUS:** ÄLÄ anna työkalun helppokäyttöisyyden (toistuvan käytön aikaansaama) johtaa sinua väärään turvallisuuden tunteeseen niin, että laiminlyöt työkalun turvaohjeiden noudattamisen. VÄÄRINKÄYTTÖ tai tässä käyttöohjeessa ilmoitettujen turvamääräysten laiminlyönti voi aiheuttaa vakavia henkilövahinkoja.

## Akkupakettia koskevia tärkeitä turvaohjeita

1. Ennen akun käyttöönottoa tutustu kaikkiin laturissa (1), akussa (2) ja akkukäyttöisessä tuotteessa (3) oleviin varoitusteksteihin.
2. Älä pura akkua.
3. Jos akun toiminta-aika lyhenee merkittävästi, lopeta akun käyttö. Seurauksena voi olla ylikuumentuminen, palovammoja tai jopa räjähdys.
4. Jos akkunestettä pääsee silmiin, huuhtele puhtaalla vedellä ja hakeudu välittömästi lääkärin hoitoon. Akkuneste voi aiheuttaa näön menetyksen.
5. Älä oikosulje akkua.
  - (1) Älä koske akun napoihin millään sähköä johtavalla materiaalilla.

(2) Vältä akun oikosulkemista äläkä säilytä akkua yhdessä muiden metalliesineiden, kuten naulojen, kolikoiden ja niin edelleen kanssa.

(3) Älä aseta akkua alttiiksi vedelle tai sateelle.

Oikosulku voi aiheuttaa virtapiikin, ylikuumentumista, palovammoja tai laitteen rikkoontumisen.

6. Älä säilytä työkalua ja akkua paikassa, jossa lämpötila voi nousta 50 °C:een tai sitäkin korkeammaksi.
7. Älä hävitä akkua polttamalla, vaikka se olisi pahoin vaurioitunut tai täysin loppuun kulunut. Avotuli voi aiheuttaa akun räjähtämisen.
8. Varo kolhimasta tai pudottamasta akkua.
9. Älä käytä viallista akkua.
10. Sisältyviä litium-ioni-akkuja koskevat vaarallisten aineiden lainsäädännön vaatimukset. Esimerkiksi kolmansien osapuolten huolintaliikkeiden tulee kaupallisissa kuljetuksissa noudattaa pakkaamista ja merkintöjä koskevia erityisvaatimuksia. Lähetettävän tuotteen valmistelu edellyttää vaarallisten aineiden asiantuntijan neuvontaa. Huomioi myös mahdollisesti yksityiskohtaisemmat kansalliset määräykset. Akun avoimet liittimet tulee suojata teipillä tai suojuksella ja pakkaaminen tulee tehdä niin, ettei akku voi liikkua pakkauksessa.
11. Hävitä akku paikallisten määräysten mukaisesti.

## SÄILYTÄ NÄMÄ OHJEET.

**HUOMIO:** Käytä vain alkuperäisiä Makita-akkuja. Muiden kuin aitojen Makita-akkujen, tai mahdollisesti muutettujen akkujen käyttö voi johtaa akun murtumiseen ja aiheuttaa tulipaloja, henkilö- ja omaisuusvahinkoja. Se mitätöi myös Makita-työkalun ja -laturin Makita-takuun.

## Vihjeitä akun käyttöön pidentämiseksi

1. Lataa akku ennen kuin se purkautuu täysin. Lopeta aina työkalun käyttö ja lataa akku, jos huomaat työkalun tehon vähenevän.
2. Älä koskaan lataa uudestaan täysin ladattua akkua. Ylilataaminen lyhentää akun käyttöikää.
3. Lataa akku huoneen lämpötilassa välillä 10 °C - 40 °C. Anna kuumen akun jäähtyä ennen lataamista.
4. Lataa akkupaketti, jos et käytä sitä pitkään aikaan (yli kuusi kuukautta).



# TOIMINTOJEN KUVAUS

**⚠️HUOMIO:** Varmista aina ennen säätöjä ja tarkastuksia, että työkalu on sammutettu ja akkupaketti irrotettu.

## Akun asentaminen tai irrottaminen

**⚠️HUOMIO:** Sammuta työkalu aina ennen akun kiinnittämistä tai irrottamista.

**⚠️HUOMIO:** Pidä työkalusta ja akusta tiukasti kiinni, kun irrotat tai kiinnität akkua. Jos akkupaketti tai työkalu putoaa, ne voivat vaurioitua tai aiheuttaa tapaturman.

- **Kuva1:** 1. Punainen merkkivalo 2. Painike 3. Akkupaketti

Irrota akku painamalla akun etupuolessa olevaa painiketta ja vetämällä akku ulos työkalusta.

Akku liitetään sovittamalla akun kieleke rungon uraan ja työntämällä se sitten paikoilleen. Työnnä akku pohjaan asti niin, että kuulet sen napsahtavan paikoilleen. Jos painikkeen yläpuolella näkyy punainen ilmaisin, akku ei ole lukkiutunut täysin paikoilleen.

**⚠️HUOMIO:** Työnnä akku aina pohjaan asti, niin että punainen ilmaisin ei enää näy. Jos akku ei ole kunnolla paikallaan, se voi pudota työkalusta ja aiheuttaa vammoja joko sinulle tai sivullisille.









**⚠️HUOMIO:** Älä käytä voimaa akun asennuksessa. Jos akku ei lii'u paikalleen helposti, se on väärässä asennossa.

## Akun jäljellä olevan varaustason ilmaisimien

Vain akkupaketeille, joiden mallinumeron lopussa on "B"

- **Kuva2:** 1. Merkkivalot 2. Tarkistuspainike

Painamalla tarkistuspainiketta saat näkyviin akun jäljellä olevan varaustason. Merkkivalot palavat muutaman sekunnin ajan.

Merkkivalot		Akussa jäljellä olevan varaus
Palaa	Pois päältä	
		75% - 100%
		50% - 75%
		25% - 50%
		0% - 25%

**HUOMAA:** Ilmoitettu varaustaso voi erota hieman todellisesta varaustasosta sen mukaan, millaisissa oloissa ja missä lämpötilassa laitetta käytetään.

## Työkalu/akun suojausjärjestelmä

Työkalu on varustettu työkalu/akun suojausjärjestelmällä. Tämä järjestelmä pidentää työkalun ja akun käyttöikää katkaisemalla automaattisesti moottorin virran. Työkalu pysähtyy automaattisesti kesken käytön, jos työkalussa tai akussa ilmenee jokin seuraavista tilanteista:

### Ylikuormitussuoja

Kun työkalua/akkua käytetään tavalla, joka saa sen kuluttamaan epätavallisen suuren määrän virtaa, työkalu pysähtyy automaattisesti ilman mitään merkkivaloa tai ilmaisinta. Katkaise tässä tilanteessa työkalusta virta ja lopeta ylikuormitustilan aiheuttanut käyttö. Käynnistä sitten työkalu uudelleen kytkemällä siihen virta.

### Ylikuumenemissuoja

Kun työkalu/akku ylikuumentuu, työkalu pysähtyy automaattisesti. Anna silloin työkalun/akun jäähtyä, ennen kuin kytket työkaluun uudelleen virran.

### Ylipurkautumissuoja

Kun akun varaus on riittämätön, työkalu pysähtyy automaattisesti. Irrota silloin akku työkalusta ja lataa se.

**HUOMAA:** Ylikuumenemissuoja (akun) toimii vain akkuilla, joissa on tähtimerkintä.

- **Kuva3:** 1. Tähtimerkintä

## Kytkimien käyttäminen

- **Kuva4:** 1. Liipaisinkytkin

**⚠️HUOMIO:** Tarkista aina ennen akkupaketin asettamista työkaluun, että liipaisinkytkin kytketty oikein ja palaa "OFF"-asentoon, kun se vapautetaan.

Käynnistä työkalu painamalla liipaisinkytkintä. Mitä voimakkaammin liipaisinkytkintä painetaan, sitä nopeammin työkalu pyörii. Voit pysäyttää työkalun vapauttamalla liipaisimen.

**HUOMAA:** Työkalu pysähtyy automaattisesti, jos liipaisinkytkintä painetaan yhtäjaksoisesti noin 6 sekunnin ajan.

## Etulampun syyttäminen

- **Kuva5:** 1. Lamppu

**⚠️HUOMIO:** Älä katso suoraan lampuun tai valonlähteeseen.

Lamppu syyttyy, kun painat liipaisinkytkintä. Lamppu palaa niin kauan kuin liipaisinkytkintä painetaan. Lamppu sammuu noin 10 sekunnin kuluttua liipaisinkytkimen vapauttamisesta.



**HUOMAA:** Työkalun ylikuumentessa se pysähtyy automaattisesti ja lamppu alkaa vilkkua. Tällaisessa tapauksessa vapauta liipaisinkytkin. Lamppu sammuu yhden minuutin kuluttua.

**HUOMAA:** Pyyhi lika pois linssistä kuivalla liinalla. Varo naarmuttamasta linssiä, ettei valoteho laske.

## Pyörimissuunnan vaihtokytkimen toiminta

► **Kuva6:** 1. Pyörimissuunnan vaihtokytkimen vipu

**HUOMIO:** Tarkista aina pyörimissuunta ennen käyttöä.

**HUOMIO:** Käytä pyörimissuunnan vaihtokytkintä vasta sen jälkeen, kun kone on lakannut kokonaan pyörimästä. Pyörimissuunnan vaihto koneen vielä pyöriessä voi vahingoittaa sitä.

**HUOMIO:** Aina kun konetta ei käytetä, käännä pyörimissuunnan vaihtokytkin keskiasentoon.

Työkalussa on pyörimissuunnan vaihtokytkin. Jos haluat koneen pyörivän myötäpäivään, paina vaihtokytkintä A-puolelta ja jos vastapäivään, paina sitä B-puolelta.

Jos pyörimissuunnan vaihtokytkin on keskiasennossa, liipaisinkytkin lukittuu.

## Kiinnitysvääntömomentin säätäminen

► **Kuva8:** 1. Säätörengas 2. Asteikko 3. Nuoli

Kiinnitysvääntömomenttia voi säätää 21 tasoon säätörengasta kiertämällä. Kierrä haluamasi asetus työkalun rungossa olevan nuolen kohdalle. Saat pienimmän kiinnitysvääntömomentin käyttäessäsi asetusta 1 ja suurinta asetusta 21 -merkkiä.

Kytkin liukuu erilaisten momenttitasojen välillä, kun se on asetettu välille 1 - 20. Kytkin ei toimi 21 -merkinnän kohdalla.

Ennen varsinaista käyttöä, aja koeruuvi materiaaliin tai kaksinkertaiseen materiaalipalaseen määrittääksesi, mikä momenttitaso on sopiva kyseiseen käyttötarkoitukseen.

Seuraavassa on esitetty poranterän koon ja momenttiasetuksen välinen arvioitu suhde.

Asteikko	1	2	3	4	5	6	7	8	9	10	11	12	13	14	15	16	17	18	19	20	
Koneruuvi	M4				M5						M6										
Puuruuvi	-				φ3,5 x 22			φ4,1 x 38				-									
Pehmeä puu (esim. mänty)	-				φ3,5 x 22			φ4,1 x 38				-									
Kova puu (esim. lauan)	-				φ3,5 x 22						φ4,1 x 38				-						

## KOKOONPANO

**HUOMIO:** Varmista aina ennen mitään työkalulle tehtäviä toimenpiteitä, että se on sammutettu ja akku irrotettu.

## Nopeuden muuttaminen

► **Kuva7:** 1. Nopeudenvaihtovipu

**HUOMIO:** Siirrä nopeudenvaihtokytkin aina täysin oikeaan asentoon. Jos käytät työkalua niin, että nopeudenvaihtovipu on asentojen "1" ja "2" puolivälissä, työkalu voi rikkoutua.

**HUOMIO:** Älä koske nopeudenvaihtovipuun, kun työkalu on käynnissä. Työkalu voi rikkoutua.

Näkyvä numero	Nopeus	Vääntömomentti	Soveltuva käyttö
1	Matala	Korkea	Raskas kuormituskäyttö
2	Korkea	Matala	Kevyt kuormituskäyttö

Kun haluat muuttaa nopeutta, katkaise ensin työkalusta virta. Työnnä nopeudenvaihtovipuun asentoon "2" suu- ralle nopeudelle tai "1" alhaiselle nopeudelle mutta suu- relle vääntömomentille. Varmista ennen käyttöä, että nopeudenvaihtovipu on asetettu haluttuun asentoon. Jos työkalun nopeus pienenee huomattavasti, kun sitä käytetään asennossa "2", työnnä vipu asentoon "1" ja aloita käyttö uudelleen.

## Ruuvauuskärjen/poranterän asentaminen tai irrottaminen

**Mallin DDF483 (lisävaruste)**

► **Kuva9:** 1. Holkki 2. Kiinni 3. Auki

Avaa istukan leuat kääntämällä holkkia vastapäivään. Työnnä ruuvauuskärki/poranterä niin syväälle istukkaan kuin se menee. Kiristä istukan leuat kääntämällä holkkia myötäpäivään. Irrota ruuvauuskärki/poranterä kääntä- mällä holkkia vastapäivään.

## Ruuvauskärjen/kärkipalan asentaminen tai irrottaminen

### Mallin DDF083 (lisävaruste)

#### ► Kuva10

Käytä vain ruuvauskärkeä tai istukkakärkeä, joissa on kuvan mukaiset kiinnityskohdat. Älä käytä mitään muunlaista ruuvauskärkeä tai istukkakärkeä.

#### Työkaluille, joissa on matala kärkiaukko

A=12mm B=9mm	Käytä vain tämäntyyppisiä ruuvauskärkiä. Seuraa toimin- tatapaa 1. (Huom.) Kärkipala ei ole välttämätön.
-----------------	--

#### Työkaluille, joissa on matala ruuvauskärjen aukko

A=17mm B=14mm	Tämäntyyppisiä ruuvaus- kärkiä käytettäessä seuraa toimintatapaa 1.
A=12mm B=9mm	Tämäntyyppisiä ruuvaus- kärkiä käytettäessä seuraa toimintatapaa 2. (Huom.) Kärkipala on välttämätön kärjen asentamiseksi.

1. Ruuvauskärjen asentamiseksi vedä holkkia nuolen osoittamaan suuntaan ja aseta pää holkkiin niin pitkälle, kuin se menee.  
Vapauta sitten holkki varmistaaksesi ruuvauskärjen.  
► **Kuva11:** 1. Ruuvauskärki 2. Holkki
2. Ruuvauskärjen asentamiseksi vedä holkkia nuolen osoittamaan suuntaan ja aseta pääpala ja ruuvauskärki holkkiin niin pitkälle, kuin se menee. Ruuvauskärjen tulee olla asennettu holkkiin siten, että sen terävä pää kohdistuu sisäänpäin. Vapauta sitten holkki kärjen varmistamiseksi.  
► **Kuva12:** 1. Ruuvauskärki 2. Kärkipappale 3. Holkki

Vedä holkkia nuolen osoittamaan suuntaan kärjen irrottamiseksi ja vedä ruuvauskärki ulos.

**HUOMAA:** Jos ruuvauskärkeä ei ole asennettu holkkiin tarpeeksi syväälle, holkki ei palaa alkuperäiseen asentoonsa eikä ruuvauskärkeä ole varmistettu. Yritä tässä tapauksessa asentaa ruuvauskärki uudelleen yllä mainittujen ohjeiden mukaan.

**HUOMAA:** Varmista kärjen kiinnityksen pitävyyden kiinnittämisen jälkeen. Jos kärki ei pysy paikallaan, älä käytä sitä.

## Koukun asentaminen

#### ► Kuva13: 1. Ura 2. Koukku 3. Ruuvi

Työkalu voidaan kätevästi ripustaa väliaikaisesti koukuun. Tämä voidaan asentaa kummalle puolelle työkalua tahansa. Asenna koukku työntämällä se työkalun rungon uraan jommallekummalle puolelle ja varmista kiinnitys ruuvilla. Voit irrottaa koukun löysäämällä ja irrottamalla ruuvin.

## Ruuvauskärjen asennus

### Lisävaruste

#### ► Kuva14: 1. Ruuvauskärjen pidin 2. Ruuvauskärki

Aseta ruuvauskärjen pidin työkalun jalassa olevaan ulkonemaan joko vasemmalle tai oikealle puolelle ja kiinnitä se paikalleen ruuvilla.

Kun ruuvauskärkeä ei käytetä, säilytä sitä ruuvauskärjen pitimissä. Siinä voidaan säilyttää 45 mm:n pituisia ruuvauskärkiä.

## TYÖSKENTELY

**▲HUOMIO:** Työnnä akkupaketti pohjaan asti, niin että se napsahtaa paikoilleen. Jos painikkeen yläpuolella näkyy punainen ilmaisin, akku ei ole lukkiutunut täysin paikoilleen. Työnnä se pohjaan asti, niin että punaista ilmaisinta ei enää näy. Jos akku ei ole kunnolla paikallaan, se voi pudota työkalusta ja aiheuttaa vammoja joko sinulle tai sivullisille.

**▲HUOMIO:** Kun työkalun nopeus pienenee huomattavasti, vähennä työkalun kuormitusta tai pysäytä työkalu, jotta se ei vaurioidu.

Pidä työkalusta lujasti kiinni siten, että pidät kahvasta yhdellä kädellä ja akun pohjasta toisella kädellä pyörimistoiminnan hallitsemiseksi.

#### ► Kuva15

## Ruuvaaminen


**▲HUOMIO:** Säädä kiristysmomentti sopivaksi säätörengkaan avulla.

**▲HUOMIO:** Varmista, että ruuvauskärjen pää on suorassa kulmassa ruuvin kantaan nähden; muuten ruuvi ja/tai ruuvauskärki voivat vahingoittua.

Aseta ruuvauskärjen pää ruuvin kantaan ja paina kärkeä ruuvia vasten. Käynnistä työkalu varovasti ja lisää nopeutta asteittain. Vapauta liipaisinkytkin heti, kun kytkin alkaa ottaa.

**HUOMAA:** Kun kiinnität puuruuveja, tee ensin aloitusreikä, jonka halkaisija on 2/3 reiän halkaisijasta. Se helpottaa ruuvaamista ja vähentää työkappaleen halkeamisen vaaraa.

## Poraustoiminta

Käännä ensin säätörengasta niin, että nuoli osoittaa  -merkkiä. Tee sitten näin.

## Puun poraaminen

Puuta porattaessa paras lopputulos saadaan ohjausruuvilla varustetuilla puuterillä. Ohjausruuvi helpottaa poraamista vetämällä poranterää työkappaleeseen.

## Metallin poraaminen

Poranterän syrjään luiskahtamisen ehkäisemiseksi porauksen alussa, tee ensin porauskohtaan pieni kolo punssiilla ja vasaralla. Aseta poran kärki koloon ja aloita poraaminen.

Käytä metallia porattessa leikkuvöljyä. Poikkeuksena ovat rauta ja messinki, joita tulee porata kuivana.

**⚠️HUOMIO:** Työkalun painaminen liian voimakkaasti ei nopeuta poraamista. Päinvastoin liiallinen paine vain tylsyttää poranterää, hidastaa työtä ja lyhentää työkalun käyttöikää.

**⚠️HUOMIO:** Pidä työkalu tukevassa otteessa ja ole varovainen, kun terä alkaa porautua läpi työkappaleesta. Työkaluun/terään kohdistuu valtava voima, kun terä porautuu läpi.

**⚠️HUOMIO:** Juuttuneen terän voi irrottaa vaihtamalla terän pyörimissuuntaa ja peruuttaa. Pidä kuitenkin työkalusta lujasti kiinni, sillä se voi tökätä taaksepäin äkkinäisesti.

**⚠️HUOMIO:** Kiinnitä työkappaleet aina viilauspenkkiin tai vastaavaan pidikkeeseen.


**⚠️HUOMIO:** Jos työkalua käytetään jatkuvasti niin pitkään, että akku tyhjenee, anna työkalun seistä 15 minuuttia ennen kuin jatkat työskentelyä uudella akulla.

## Työkalun käyttäminen käsi-ruuvimeisselinä

### ► Kuva16

Kytke työkalu pois päältä.

Siirrä suunnanvaihtokytkimen vipu vapaa-asentoon.

Käännä säätörengasta niin, että nuoli osoittaa  -merkintää.

Käännä työkalu päälle.

**HUOMAA:** Tämän käyttö on käytännöllinen ruuvi-meisselin käytön tarkastamiseksi.

**HUOMAA:** Älä käytä työkalua suurta voimaa vaativiin töihin, kuten pulttien kiristämiseen tai ruostuneiden ruuvien irrottamiseen.

## KUNNOSSAPITO

**⚠️HUOMIO:** Varmista aina ennen tarkastusta tai huoltoa, että työkalu on sammutettu ja akku irrotettu.

**HUOMAUTUS:** Älä koskaan käytä bensiiniä, ohenteita, alkoholia tai tms. aineita. Muutoin pinta voi halkeilla tai sen värit ja muoto voivat muuttua. Muutoin laitteeseen voi tulla värjäytymiä, muodon vääristymiä tai halkeamia.

Tuotteen TURVALLISUUDEN ja LUOTETTAVUUDEN takaamiseksi korjaukset, muut huoltotyöt ja säädöt on teetettävä Makitan valtuutetussa huoltopisteessä Makitan varaosia käyttäen.

## LISÄVARUSTEET

**⚠️HUOMIO:** Seuraavia lisävarusteita tai laitteita suositellaan käytettäväksi tässä ohjeessa kuvatun Makita-työkalun kanssa. Muiden lisävarusteiden tai laitteiden käyttö voi aiheuttaa henkilövahinkoja. Käytä lisävarusteita ja -laitteita vain niiden käyttötarkoituksen mukaisesti.

Jos tarvitset apua tai yksityiskohtaisempia tietoja seuraavista lisävarusteista, ota yhteys paikalliseen Makitan huoltoon.

- Poranterät
- Ruuvauskärjet
- Ruuvauskärjen pidin
- Koukku
- Aito Makitan akku ja laturi

**HUOMAA:** Jotkin luettelossa mainitut varusteet voivat sisältyä työkalun toimitukseen vakiovarusteina. Ne voivat vaihdella maittain.

## SPECIFIKĀCIJAS

Modelis:		DDF483	DDF083
Urbšanas spēja	Tērauds	13 mm	
	Koks	36 mm	
Pievilšanas spēja	Koka skrūve	6 mm x 75 mm	
	Nostiprinātājskrūve	M6	
Ātrums bez slodzes	Liels (2)	0 - 1 700 min <sup>-1</sup>	
	Mazs (1)	0 - 500 min <sup>-1</sup>	
Kopējais garums		162 mm	124 mm
Nominālais spriegums		Līdzstrāva 18 V	
Akumulatora kasetne	BL1815N, BL1820, BL1820B	BL1830, BL1830B, BL1840, BL1840B, BL1850, BL1850B, BL1860B	BL1815N, BL1820, BL1820B
Tirsvars	1,3 kg	1,5 kg	1,1 kg

- Nepārtrauktās izpētes un izstrādes programmas dēļ seīt uzrādītās specifikācijas var tikt mainītas bez brīdinājuma.
- Specifikācijas un akumulatora kasetne var atšķirties dažādās valstīs.
- Svārs ar akumulatora kasetni saskaņā ar EPTA-Procedure 01/2003

## Paredzētā lietošana

Šis darbarīks ir paredzēts urbšanai un skrūvju ieskrūvēšanai kokā, metālā un plastmasā.

## Trokšņa līmenis

Tipiskais A svērtais trokšņa līmenis noteikts saskaņā ar EN60745:

Skaņas spiediena līmenis ( $L_{pA}$ ): 77 dB (A)

Mainīgums (K): 3 dB (A)

Darbības laikā trokšņa līmenis var pārsniegt 80 dB (A).

**BRĪDINĀJUMS:** Lietojiet ausu aizsargus.

## Vibrācija

Vibrācijas kopējā vērtība (trīsasu vektora summa) noteikta atbilstoši EN60745:

Darba režīms: urbšana metālā

Vibrācijas izmete ( $a_{h,D}$ ): 2,5 m/s<sup>2</sup> vai mazāk

Mainīgums (K): 1,5 m/s<sup>2</sup>

**PIEZĪME:** Paziņotā vibrācijas emisijas vērtība noteikta atbilstoši standarta pārbaudes metodei un to var izmantot, lai salīdzinātu vienu darbarīku ar citu.

**PIEZĪME:** Paziņoto vibrācijas emisijas vērtību arī var izmantot iedarbības sākotnējā novērtējumā.

**BRĪDINĀJUMS:** Reāli lietojot elektrisko darbarīku, vibrācijas emisija var atšķirties no paziņotās emisijas vērtības atkarībā no darbarīka izmantošanas veida.

**BRĪDINĀJUMS:** Lai aizsargātu lietotāju, nosakiet drošības pasākumus, kas pamatoti ar iedarbību reālos darba apstākļos (ņemot vērā visus ekspluatācijas cikla posmus, piemēram, laiku, kamēr darbarīks ir izslēgts un kad darbojas tukšgaitā, kā arī palaides laiku).

## EK atbilstības deklarācija

*Tikai Eiropas valstīm*

EK atbilstības deklarācija šajā lietošanas rokasgrāmātā ir iekļauta kā A pielikums.

## DROŠĪBAS BRĪDINĀJUMI

## Vispārīgi elektrisko darbarīku drošības brīdinājumi

**BRĪDINĀJUMS:** Izlasiet visus drošības brīdinājumus un visus norādījumus. Brīdinājumu un norādījumu neievērošanas gadījumā var rasties elektriskās strāvas trieciens, ugunsgrēks un/vai nopietnas traumas.

## Glabājiet visus brīdinājumus un norādījumus, lai varētu tajos ieskatīties turpmāk.

Termins „elektrisks darbarīks” brīdinājumos attiecas uz tādu elektrisko darbarīku, ko darbina ar elektrību (ar vadu), vai tādu, ko darbina ar akumulatoru (bez vada).

## Drošības brīdinājumi bezvada skrūvgrieža-urbjmašīnas lietošanai

1. Izmantojiet ar darbarīku piegādātos papildu rokturus. Zaudējot kontroli, var tikt gūtas traumas.
2. Strādājot turiet elektrisko darbarīku aiz izolētajām satveršanas virsmām, ja griešanas darbarīks varētu saskarties ar neredzamu elektroinstalāciju. Griezējinstrumentam saskaroties ar vadu, kurā ir spriegums, spriegums var tikt pārņemts uz elektriskā darbarīka metāla daļām, un, iespējams, radīt operatoram elektrotraumu.
3. Veicot darbu, turiet elektrisko darbarīku aiz izolētajām satveršanas virsmām, ja stiprinājums varētu saskarties ar paslēptu elektroinstalāciju. Stiprinājumiem saskaroties ar vadu, kurā ir spriegums, elektriskā darbarīka ārējās metāla virsmas var vadīt strāvu un radīt lietotājam elektrotraumu.
4. Vienmēr nodrošiniet stabilu pamatu kājām. Ja lietojat darbarīku, strādājot lielā augstumā virs zemes, pārliecinieties, ka apakšā neviena nav.
5. Darbarīku turiet cieši.
6. Turiet rokas tālu no rotējošām daļām.
7. Neatstājiet darbarīku ieslēgtu. Darbiniet darbarīku vienīgi tad, ja turat to rokās.
8. Neskarīet urbjā uzgali vai apstrādāto detaļu tūlīt pēc darba veikšanas; tie var būt ļoti karsti un var apdedzināt ādu.
9. Daži materiāli satur ķīmiskas vielas, kuras var būt toksiskas. Izvairieties no putekļu ieelpošanas un to nokļūšanas uz ādas. Ievērojiet materiāla piegādātāja drošības datus.

## SAGLABĀJIET ŠOS NORĀDĪJUMUS.

**▲BRĪDINĀJUMS:** NEPIELĀUJIET to, ka labu iemaņu vai izstrādājuma labas pārzināšanas (darbarīku atkārtoti ekspluatējot) rezultātā vairs stingri neievērojat šī izstrādājuma drošības noteikumus. NEPAREIZI LIETOJOT darbarīku vai neievērojot šajā instrukcijā rokasgrāmatā minētos drošības noteikumus, var tikt gūtas smagas traumas.

## Svarīgi drošības norādījumi par akumulatora kasetni

1. Pirms akumulatora lietošanas izlasiet visus norādījumus un brīdinājumus, kuri attiecas uz (1) akumulatora lādētāju, (2) akumulatoru un (3) ierīci, kurā tiek izmantots akumulators.
2. Neizjauciet akumulatoru.
3. Ja akumulatora darbības laiks kļūva ievērojami īsāks, nekavējoties pārtrauciet to izmantot. Citādi, tas var izraisīt pārkarsējumu, uzliesmojumu vai pat sprādzienu.
4. Ja elektrolīts nonāk acīs, izskalojiet tās ar tīru ūdens un nekavējoties griezieties pie ārsta. Tas var izraisīt redzes zaudēšanu.
5. Neradiet īssavienojumu akumulatora kasetnē:
  - (1) Nepieskarīties spaiļēm ar elektrību vadošiem materiāliem.

(2) Neuzglabājiet akumulatoru kasetni kopā ar citiem metāla priekšmetiem, tādiem kā naglas, monētas u. c.

(3) Nepakļaujiet akumulatora kasetni ūdens vai lietus iedarbībai.

Akumulatora īssavienojums var radīt spēcīgu strāvas plūsmu, pārkarsāšanu, uzliesmojumu un pat sabojāt akumulatoru.

6. Neglabājiet darbarīku un akumulatora kasetni vietās, kur temperatūra var sasniegt vai pārsniegt 50 °C (122 °F).
7. Nededziniet akumulatora kasetni, pat ja tā ir stipri bojāta vai pilnībā nolietota. Akumulatora kasetne uguni var eksplodēt.
8. Uzmaniēties, lai neļautu akumulatoram nokrist un nepakļautu to sitenam.
9. Neizmantojiet bojātu akumulatoru.
10. Uz izmantotajiem litija jonu akumulatoriem attiecas likumdošanas prasības par bīstamiem izstrādājumiem.

Komerציאלā transportēšanā, ko veic, piemēram, trešās puses, transporta uzņēmumi, jāievēro uz iesaiņojuma un marķējuma norādītās īpašās prasības.

Lai izstrādājumu sagatavotu nosūtīšanai, jāsažinās ar bīstamo materiālu speciālistu. Ievērojiet arī citus attiecināmos valsts normatīvus.

Valējūs kontaktus nosedziet ar līmlenti vai citādi pārklājiet, bet akumulatoru iesaiņojiet tā, lai sainītas nevarētu izkustēties.
11. Ievērojiet vietējos noteikumus par akumulatora likvidēšanu.

## SAGLABĀJIET ŠOS NORĀDĪJUMUS.

**▲UZMANĪBU:** Lietojiet tikai oriģinālos Makita akumulatorus. Ja lietojat neoriģinālus Makita akumulatorus vai pārveidotus akumulatorus, tie var uzsprāgt un izraisīt aizdegšanos, traumas un materiālos zaudējumus. Tīks anulēta arī Makita darbarīka un lādētāja garantija.

## Ieteikumi akumulatora kalpošanas laika pagarināšanai

1. Uzlādējiet akumulatora kasetni, pirms tā ir pilnībā izlādējusies. Vienmēr, kad ievērojat, ka darbarīka darba jauda zudusi, apturiet darbarīku un uzlādējiet akumulatora kasetni.
2. Nekad neuzlādējiet pilnībā uzlādētu akumulatora kasetni. Pārmērīga uzlāde saīsina akumulatora kalpošanas laiku.
3. Uzlādējiet akumulatora kasetni istabas temperatūrā 10 °C - 40 °C. Karstai akumulatora kasetnei pirms uzlādes ļaujiet atdzist.
4. Uzlādējiet litija jonu akumulatora kasetni, ja to ilgstoši nelietosīt (vairāk nekā sešus mēnešus).

# FUNKCIJU APRAKSTS

**⚠UZMANĪBU:** Pirms darbarīka regulēšanas vai tā darbības pārbaudes vienmēr pārliecinieties, ka darbarīks ir izslēgts un akumulatora kasetne ir izņemta.

## Akumulatora kasetnes uzstādīšana un izņemšana

**⚠UZMANĪBU:** Vienmēr pirms akumulatora kasetnes uzstādīšanas vai noņemšanas izslēdziet darbarīku.

**⚠UZMANĪBU:** Uzstādot vai izņemot akumulatora kasetni, darbarīku un akumulatora kasetni turiet cieši. Ja darbarīku un akumulatora kasetni netur cieši, tie var izkrist no rokām un radīt bojājumus darbarīkam un akumulatora kasetnei, kā arī izraisīt ievainojumus.

- **Att.1:** 1. Sarkanās krāsas indikators 2. Poga 3. Akumulatora kasetne

Lai izņemtu akumulatora kasetni, izvelciet to no darbarīka, pārbrīdot kasetnes priekšpusē esošo pogu.

Lai uzstādītu akumulatora kasetni, salāgojiet mēlīti uz akumulatora kasetnes ar rievu ietvarā un iebīdīet to vietā. Ievietojiet to līdz galam, līdz tā ar klikšķi nofiksējas. Ja pogas augšējā daļā redzams sarkanās krāsas indikators, tas nozīmē, ka tā nav pilnīgi fiksēta.

**⚠UZMANĪBU:** Vienmēr ievietojiet akumulatora kasetni tā, lai sarkanais indikators nebūtu redzams. Pretējā gadījumā tā var nejauši izkrist no darbarīka un izraisīt jums vai apkārtējiem traumas.










**⚠UZMANĪBU:** Neievietojiet akumulatora kasetni ar spēku. Ja kasetne neslīd ietvarā viegli, tā nav pareizi ielikta.

## Atlikušās akumulatora jaudas indikators

*Tikai akumulatoru kasetnēm, kuru modeļa numura beigās ir burts „B”*

- **Att.2:** 1. Indikatora lampas 2. Pārbaudes poga

Nospiediet akumulatora kasetnes pārbaudes pogu, lai pārbaudītu akumulatora atlikušo uzlādes līmeni. Indikatori iedegsies uz dažām sekundēm.

Indikatora lampas		Atlikusī jauda
 Iededzies	 Izslēgts	
		No 75% līdz 100%
		No 50% līdz 75%
		No 25% līdz 50%
		No 0% līdz 25%

**PIEZĪME:** Reālā jauda var nedaudz atšķirties no norādītās atkarībā no lietošanas apstākļiem un apkārtējās temperatūras.

## Darbarīka/akumulatora aizsardzības sistēma

Darbarīkam ir darbarīka/akumulatora aizsardzības sistēma. Šī sistēma automātiski izslēdz strāvas padevi motoram, lai pagarinātu darbarīka un akumulatora darbību. Lietošanas laikā darbarīks automātiski pārstās darboties, ja darbarīku vai akumulatoru pakļaus kādam no šādiem apstākļiem.

### Aizsardzība pret pārslodzi

Ja darbarīku/akumulatoru lieto tā, ka tas patērē pārmērīgi lielu strāvas daudzumu, darbarīks automātiski, bez iepriekšēja brīdinājuma pārstāj darboties. Šādā gadījumā izslēdziet darbarīku un pārtrauciet darbību, kas izraisīja darbarīka pārslodzi. Tad ieslēdziet darbarīku, lai atsāktu darbu.

### Aizsardzība pret pārkaršanu

Kad akumulators ir pārkaris, darbarīks automātiski pārstāj darboties. Šādā gadījumā ļaujiet darbarīkam/akumulatoram atdzist pirms vēlreiz to ieslēgt.

### Aizsardzība pret akumulatora pārmērīgu uzlādi

Ja akumulatora jaudas līmenis ir zems, darbarīks automātiski pārstāj darboties. Šajā gadījumā akumulatoru izņemiet no darbarīka un uzlādējiet.

**PIEZĪME:** Aizsardzība pret pārkaršanu (akumulatoram) darbosies tikai tad, ja ir ievietoti akumulatori ar zvaigznes simbolu.

- **Att.3:** 1. Zvaigznes simbols

## Slēdža darbība

- **Att.4:** 1. Slēdža mēlīte

**⚠UZMANĪBU:** Pirms akumulatora kasetnes uzstādīšanas darbarīkā vienmēr pārbaudiet, vai slēdža mēlīte darbojas pareizi un pēc atlaišanas atgriežas stāvoklī „OFF” (izslēgts).

Lai ieslēgtu darbarīku, pavelciet slēdža mēlīti. Darbarīka ātrums palielinās, palielinoties spiedienam uz slēdža mēlīti. Lai darbarīku apturētu, atļaidiet slēdža mēlīti.

**PIEZĪME:** Darbarīks automātiski apstāsies, ja turpināsit spiest slēdža mēlīti apmēram 6 minūtes.

## Priekšējās lampas ieslēgšana

- **Att.5:** 1. Lampa

**⚠UZMANĪBU:** Neskatieties gaismā, neļaujiet tās avotam iespīdēt acīs.

Pavelciet slēdža mēlīti, lai ieslēgtu lampu. Kamēr slēdža mēlīte ir nospiesta, lampa ir ieslēgta. Apmēram 10 sekundes pēc slēdža mēlītes atlaišanas lampa izslēdzas.

**PIEZĪME:** Ja darbarīks ir pārkaršis, tas automātiski izslēdzas un sāk mirgot lampa. Šādā gadījumā atļaidiet slēdža mēlīti. Lampa izslēdzas pēc vienas minūtes.

**PIEZĪME:** Ar sausu lupatiņu notīriet netīrumus no lampas lēcas. Izvairieties saskrāpēt lampas lēcu, jo tādējādi tiek samazināts apgaismojums.

## Griešanās virziena pārslēdzēja darbība

► **Att.6:** 1. Griešanās virziena pārslēdzēja svira

**UZMANĪBU:** Pirms sākat strādāt, vienmēr pārbaudiet griešanās virzienu.

**UZMANĪBU:** Izmantojot griešanās virziena pārslēdzēju tikai pēc darbarīka pilnīgas apstāšanās. Griešanās virziena maiņa pirms darbarīka pilnīgas apstāšanās var to sabojāt.

**UZMANĪBU:** Kamēr darbarīks netiek izmantots, vienmēr uzstādiat griešanās virziena pārslēdzēja sviru neitrālajā stāvoklī.

Šis darbarīks ir aprīkots ar pārslēdzēju, kas ļauj mainīt griešanās virzienu. Nospiediet griešanās virziena pārslēdzēja sviru no „A” puses rotācijai pulksteņrādītāju kustības virzienā vai no „B” puses rotācijai pretēji pulksteņrādītāju kustības virzienam.

Ja griešanās virziena pārslēdzēja svira atrodas neitrālajā stāvoklī, slēdža mēlīti nevar nospiegt.

## Stiprinājuma griezes momenta regulēšana

► **Att.8:** 1. Regulēšanas gredzens 2. Iedaļas 3. Bultiņa

Stiprinājuma griezes momentam var iestatīt kādu no 21 līmeņiem, pagriežot regulēšanas gredzenu. Savietojiet iedaļas ar bultiņu uz darbarīka korpusa. Minimālais stiprinājuma griezes moments ir stāvoklī 1, un maksimālais stiprinājuma griezes moments ir stāvoklī 21. Iestatot ietverī stāvoklī no 1 līdz 20, tā ieslīdēs dažādos griezes momenta līmeņos. Ietvere nedarbojas pie atzīmes 21.

Pirms darba sākšanas ieskrūvējiet apstrādājamajā detaļā vai identiskā materiālā pārbaudes skrūvi, lai noteiktu, kāds griezes momenta līmenis ir piemērots attiecīgajam gadījumam.

Tabulā sniegti norādījumi aptuvenai attiecībai starp skrūves izmēriem un iedaļām.

Iedaļas		1	2	3	4	5	6	7	8	9	10	11	12	13	14	15	16	17	18	19	20
Nostiprinātājskrūve		M4				M5						M6									
Koka skrūve	Mīksts koks (piemēram, priede)	–				φ3,5 × 22				φ4,1 × 38				–							
	Ciets koks (piemēram, lauans)	–				φ3,5 × 22				φ4,1 × 38				–							

## MONTĀŽA

**UZMANĪBU:** Pirms darbarīka regulēšanas vai apkopes vienmēr pārliecinieties, ka darbarīks ir izslēgts un akumulatora kasetne ir izņemta.

## Ātruma regulēšana

► **Att.7:** 1. Ātruma regulēšanas svira

**UZMANĪBU:** Ātruma regulēšanas sviru vienmēr stingri iestatiet pareizajā stāvoklī. Ja jūs darbināt darbarīku ar ātruma regulēšanas sviru, izvietotu starp stāvokļiem „1” un „2”, tas var sabojāt darbarīku.

**UZMANĪBU:** Nelietojiet ātruma regulēšanas sviru, kamēr darbarīks darbojas. Tas var sabojāt darbarīku.

Parādītais skaits	Ātrums	Griezes moments	Lietojuma iespējas
1	Mazs	Liels	Lielas noslodzes režīms
2	Liels	Mazs	Nelielas noslodzes režīms

Lai mainītu ātrumu, vispirms izslēdziet darbarīku.

Nospiediet ātruma regulēšanas sviru, lai parādītos cipars „2” lielam ātrumam vai cipars „1” mazam ātrumam ar lielu griezes momentu. Pirms darba sākšanas pārliecinieties, ka ātruma regulēšanas svira atrodas pareizajā stāvoklī.

Ja lietošanas laikā stāvoklī „2” darbarīka ātrums ievērojami samazinās, pārbīdiat sviru stāvoklī „1” un atsāciet lietošanu.

## Skrūvgrieža uzgaļa/urbja uzgaļa uzstādīšana vai noņemšana

**Modelim DDF483 (papildpiederums)**

► **Att.9:** 1. Uzmava 2. Aizvērt 3. Atvērt

Pagrieziet uznavu pretēji pulksteņrādītāju kustības virzienam, lai atvērtu spīļpatronas spiles. Ievietojiet skrūvgrieža



uzgali/urbja uzgali spļatronā līdz galam. Pagrieziet uzsmavu pulksteņrādītāju kustības virzienā, lai pievilktu spļatronu. Lai izņemtu skrūvgrieža uzgali/urbja uzgali, grieziet uzsmavu pretēji pulksteņrādītāju kustības virzienam.

## Skrūvgrieža uzgaļa/galatslēgas uzgaļa uzstādīšana vai noņemšana

### Modelim DDF083 (papildpiederums)

#### ► Att.10

Izmantojiet tikai skrūvgrieža uzgali/galatslēgas uzgali ar attēlā redzamo ievietojamo daļu. Neizmantojiet citu skrūvgrieža uzgali/uzgriežņa uzgali.

### Darbarīkam ar seku skrūvgrieža uzgaļa padziļinājumu

A = 12 mm B = 9 mm	Izmantojiet tikai šādu veida skrūvgrieža uzgali. Ievērojiet 1. procedūru. (Piezīme) Uzgaļa daļa nav nepieciešama.
-----------------------	---

### Darbarīkam ar dziļu skrūvgrieža uzgaļa padziļinājumu

A = 17 mm B = 14 mm	Lai uzstādītu šādu veidu skrūvgrieža uzgaļus, izpildiet 1. procedūru.
A = 12 mm B = 9 mm	Lai uzstādītu šādu veidu skrūvgrieža uzgaļus, izpildiet 2. procedūru. (Piezīme) Uzgaļa uzstādīšanai nepieciešama uzgaļa daļa.

1. Lai uzstādītu skrūvgrieža uzgali, velciet uzsmavu bultiņas virzienā un ievietojiet skrūvgrieža uzgali uzsmavā līdz galam. Tad atlaidiet uzsmavu, lai nostiprinātu skrūvgrieža uzgali.

#### ► Att.11: 1. Skrūvgrieža uzgalis 2. Uzmava

2. Lai uzstādītu skrūvgrieža uzgali, velciet uzsmavu bultiņas virzienā un ievietojiet uzgaļa daļu un skrūvgrieža uzgali uzsmavā līdz galam. Uzgaļa daļa jāievieto uzsmavā tā, lai tās smailais gals būtu vērstus uz iekšu. Tad atlaidiet uzsmavu, lai nostiprinātu skrūvgrieža uzgali.

#### ► Att.12: 1. Skrūvgrieža uzgalis 2. Skrūves daļa 3. Uzmava

Lai noņemtu skrūvgrieža uzgali, velciet uzsmavu bultiņas virzienā un izvelciet skrūvgrieža uzgali.

**PIEZĪME:** Ja skrūvgrieža uzgalis nav pietiekami dziļi ievietots uzsmavā, tā neatgriezīsies savā sākotnējā stāvoklī, un skrūvgrieža uzgalis netiks nostiprināts. Šajā gadījumā mēģiniet vēlreiz ievietot uzgali atbilstoši iepriekš minētajām instrukcijām.

**PIEZĪME:** Pēc skrūvgrieža uzgaļa ievietošanas pārliedzieties, ka tas ir cieši nostiprināts. Ja tas iznāk ārā, neizmantojiet to.

## Āķa uzstādīšana

#### ► Att.13: 1. Rieva 2. Āķis 3. Skrūve

Āķis ir noderīgs, ja darbarīks uz kādu laiku ir jāpakar. To var uzstādīt jebkurā darbarīka pusē. Lai uzstādītu āķi, ievietojiet to rievē jebkurā darbarīka korpusa pusē, un tad ar skrūvi pieskrūvējiet. Lai to izņemtu, atlaidiet skrūvi un izņemiet.

## Uzstādīšana uzgaļa turētāja uzstādīšana

### Papildu piederumi

- Att.14: 1. Skrūvgrieža uzgaļa turētājs  
2. Skrūvgrieža uzgalis

Uzlieciet skrūvgrieža uzgaļa turētāju uz darbarīka pamatnes izciļņa labajā vai kreisajā pusē un pieskrūvējiet to ar skrūvi.

Ja neizmantojat skrūvgrieža uzgali, ievietojiet to uzgaļa turētājā. Tur var glabāt 45 mm garus skrūvgrieža uzgaļus.

## EKSPLUATĀCIJA

**UZMANĪBU:** Vienmēr ievietojiet akumulatoru kasetni līdz galam, līdz tā nofiksējas. Ja pogas augšējā daļā redzams sarkanas krāsas indikators, tas nozīmē, ka tā nav pilnīgi fiksēta. Iebīdīd to tā, lai sarkanais indikators nebūtu redzams. Pretējā gadījumā akumulators var nejauši izkrist no darbarīka un radīt jums vai apkārtējiem traumas.

**UZMANĪBU:** Ja ātrums ievērojami pazeminās, samaziniet slodzi vai apturiet darbarīku, lai nepieļautu darbarīka bojājumus.

Lai regulētu griešanas darbību, turiet darbarīku cieši, ar vienu roku satverot rokturi, bet ar otru turot akumulatora kasetnes apakšpusi.

#### ► Att.15

## Skrūvgrieža darba režīms


**UZMANĪBU:** Ar regulēšanas gredzena palīdzību uzstādiat veicamam darbam atbilstošu griezes momenta līmeni.

**UZMANĪBU:** Pārliedzieties, ka skrūvgrieža uzgalis ir taisni ievietots skrūves galviņā, pretējā gadījumā skrūve un/vai skrūvgrieža uzgalis var tikt bojāts.

Novietojiet skrūvgrieža uzgaļa galu skrūves galviņā un uzspiediet uz darbarīka. Ieslēdziet darbarīku nelielā ātrumā un tad pakāpeniski ātrumu palieliniet. Atlaidiet slēdzi tā mēlīti tikko ietvere iegriežas iekšā.

**PIEZĪME:** Skrūvējot koka skrūvi, sākumā izurbiet palīgcaurumu, kura izmērs ir 2/3 no skrūves diametra. Tādējādi skrūvēšana būs vieglāka un apstrādājamā detaļa nesadalīsies.

## Urbšana

Vispirms pielāgojiet regulēšanas gredzenu tā, lai bultiņa rādītu uz atzīmi . Tad rīkojieties, kā norādīts tālāk.

## Urbšana kokā

Urbjot kokā, vislabākie rezultāti iegūstami ar kokurbja uzgaļiem, kuri aprīkoti ar vadskrūvi. Vadskrūve atvieglo urbšanu, virzot urbja uzgali apstrādes detaļā.



## Urbšana metālā

Lai novērstu urbja uzgaļa slīdēšanu, sākot urbšanu, vispirms ar punktsīti un āmuru izveidojiet iedobi vietā, kur jāurbj. Novietojiet urbja uzgali iedobē un sāciet urbt. Urbjot metālā, izmantojiet griešanas smērvielu. Izņēmums ir dzelzs un misiņš, kuri jāurbj bez smērvielas.

**⚠UZMANĪBU:** Pārmērīgs spiediens uz darbarīku urbšanas ātrumu nepalīdzinās. Patiesībā pārmērīgs spiediens tikai sabojās urbja uzgali, samazinās darbarīka jaudu un saīsinās tā kalpošanas laiku.

**⚠UZMANĪBU:** Stingri turiet darbarīku un īpaši uzmanieties brīdī, kad urbja uzgali sāks virzīties cauri apstrādājamaļai daļai. Cauruma izveides brīdī uz darbarīku un uzgali iedarbojas ļoti liels spēks.


**⚠UZMANĪBU:** Iestrēgušu urbja uzgali var atbrīvot, vienkārši uzstādot griešanās virziena pārslēdzēju pretējā virzienā, lai urbis tiktu virzīts atpakaļ virzienā uz āru. Taču uzmanieties, jo, ja ierīci neturēsiet stingri, tā var strauji virzīties atpakaļ.

**⚠UZMANĪBU:** Nelielas apstrādājamas detaļas vienmēr ievietojiet skrūvspilēs vai citā stiprinājuma ierīcē.

**⚠UZMANĪBU:** Ja darbarīks tiek darbināts nepārtraukti, līdz akumulatora kasetne ir izlādējusies, pirms turpināt darbu ar jaunu akumulatoru, izslēdziet darbarīku uz 15 minūtēm.

## Izmantojot darbarīku kā skrūvgriezi

### ► Att.16

Izslēdziet darbarīku. Pārvietojiet griešanās virziena pārslēdzēja sviru neitrālajā stāvoklī. Tad pielāgojiet regulēšanas gredzenu tā, lai rādītājs rādītu  atzīmi. Ieslēdziet darbarīku.

**PIEZĪME:** Št izmantošana ir ērta, lai pārbaudītu skrūvju skrūvēšanu.

**PIEZĪME:** Neizmantojiet darbarīku darbiem, kuros nepieciešams pārmērīgs spēks, piemēram, skrūvju pievilkšanai vai sarūsējušu skrūvju izņemšanai.

## APKOPE

**⚠UZMANĪBU:** Pirms darbarīka pārbaudes vai apkopes vienmēr pārliecinieties, ka darbarīks ir izslēgts un akumulatora kasetne ir izņemta.

**IEVĒRĪBAI:** Nekad neizmantojiet gāzoliņu, benzīnu, atšķaidītāju, spirtu vai līdzīgus šķidrumus. Tas var radīt izbalēšanu, deformāciju vai plaisas.

Lai saglabātu izstrādājuma DROŠU un UZTICAMU darbību, remontdarbus, apkopi un regulēšanu uzticiet veikt tikai Makita pilnvarotam vai rūpnīcas apkopes centram, un vienmēr izmantojiet tikai Makita rezerves daļas.

## PAPILDU PIEDERUMI

**⚠UZMANĪBU:** Šādi piederumi un papildierīces tiek ieteiktas lietošanai ar šajā rokasgrāmatā aprakstīto Makita darbarīku. Izmantojot citus piederumus vai papildierīces, var tikt radīta trauma gūšanas bīstamība. Piederumu vai papildierīci izmantojiet tikai paredzētajam mērķim.

Ja jums vajadzīga palīdzība vai precīzāka informācija par šiem piederumiem, vērsieties savā tuvākajā Makita apkopes centrā.

- Urbja uzgali
- Skrūvgrieža uzgali
- Skrūvgrieža uzgaļa turētājs
- Āķis
- Makita oriģinālais akumulators un lādētājs

**PIEZĪME:** Daži sarakstā norādītie izstrādājumi var būt iekļauti instrumenta komplektācijā kā standarta piederumi. Tie dažādās valstīs var būt atšķirīgi.

## SPECIFIKACIJOS

Modelis:		DDF483		DDF083	
Gręžimo pajėgumas	Plienai	13 mm			
	Medis	36 mm			
Fiksavimo pajėgumas	Medvaržtis	6 mm x 75 mm			
	Mašininis sraigtas	M6			
Be apkrovos	Aukštis (2)	0 – 1 700 min <sup>-1</sup>			
	Žemas (1)	0 – 500 min <sup>-1</sup>			
Bendrasis ilgis		162 mm		124 mm	
Vardinė įtampa		Nuol. sr. 18 V			
Akumulatoriaus kasetė		BL1815N, BL1820, BL1820B	BL1830, BL1830B, BL1840, BL1840B, BL1850, BL1850B, BL1860B	BL1815N, BL1820, BL1820B	BL1830, BL1830B, BL1840, BL1840B, BL1850, BL1850B, BL1860B
Grynasis svoris		1,3 kg	1,5 kg	1,1 kg	1,3 kg

- Atliekame tęstinus tyrimus ir nuolatos tobuliname savo gaminius, todėl čia pateikiamos specifikacijos gali būti keičiamos be įspėjimo.
- Įvairiose šalyse specifikacijos ir akumulatoriaus kasetė gali skirtis.
- Svoris su akumulatoriaus kasete pagal 2003-01 EPTA procedūrą

## Numatytoji naudojimo paskirtis

Šis įrenginys yra skirtas medienai, metalui ir plastmasei gręžti.

## Triukšmas

Įprastas triukšmo A lygis, nustatytas pagal EN60745:  
Garso slėgio lygis ( $L_{pA}$ ): 77 dB (A)  
Paklaida (K): 3 dB (A)

Dirbant triukšmo lygis gali viršyti 80 dB (A).

**ĮSPĖJIMAS:** Dėvėkite ausų apsaugą.

## Vibracija

Vibracijos bendroji vertė (triašio vektorius suma) nustatyta pagal EN60745 standartą:  
Darbo režimas: metalo gręžimas  
Vibracijos emisija ( $a_{h,D}$ ): 2,5 m/s<sup>2</sup> arba mažiau  
Paklaida (K): 1,5 m/s<sup>2</sup>

**PASTABA:** Paskelbtasis vibracijos emisijos dydis nustatytas pagal standartinį testavimo metodą ir jį galima naudoti vienam įrankiui palyginti su kitu.

**PASTABA:** Paskelbtasis vibracijos emisijos dydis taip pat gali būti naudojamas preliminariai įvertinti vibracijos poveikį.

**ĮSPĖJIMAS:** Faktiškai naudojant elektrinį įrankį, keliamos vibracijos dydis gali skirtis nuo paskelbtojo dydžio, priklausomai nuo būdų, kuriais yra naudojamas šis įrankis.

**ĮSPĖJIMAS:** Siekdami apsaugoti operatorių, būtinai įvertinkite saugos priemones, remdamiesi vibracijos poveikio įvertinimu esant faktinėms naudojimo sąlygoms (atsižvelgdami į visas darbo ciklo dalis, pavyzdžiui, ne tik kiek laiko įrankis veikia, bet ir kiek kartų jis yra išjungiamas bei kai jis veikia be apkrovų).

## EB atitikties deklaracija

*Tik Europos šalims*

EB atitikties deklaracija yra pridėdama kaip šio instrukcijų vadovo A priedas.

## SAUGOS ĮSPĖJIMAI

## Bendrieji įspėjimai dirbant elektriniais įrankiais

**ĮSPĖJIMAS:** Perskaitykite visus saugos įspėjimus ir visą instrukciją. Nesilaikydami toliau pateiktų įspėjimų ir instrukcijų galite patirti elektros smūgį, gaisrą ir (arba) sunkų sužeidimą.

## Išsaugokite visus įspėjimus ir instrukcijas, kad galėtumėte jas peržiūrėti ateityje.

Terminas „elektrinis įrankis“ pateiktuose įspėjimuose reiškia į maitinimo tinklą jungiamą (laidinį) elektrinį įrankį arba akumulatoriaus maitinamą (belaidį) elektrinį įrankį.

### Saugos įspėjimai dėl akumulatorinio gražto naudojimo

1. Naudokite su įrankiu pridėtą išorinę rankeną (rankenas). Nesuvaldžius įrankio, galima susižeisti.
2. Atlikdami darbus, kurių metu pjovimo dalys gali paliešti paslėptus laidus, laikykite elektrinį įrankį tik už izoliuotų, laikyti skirtų paviršių. Pjovimo antgaliai prisilietus prie laido, kuriuo teka elektros srovė, neizoliuotos metalinės elektrinio įrankio dalys gali sukelti elektros smūgį ir nutrenkti operatorių.
3. Atlikdami darbus, kurių metu tvirtinimo elementas galėtų užkliudyti nematomą laidą arba savo paties laidą, laikykite elektrinius įrankius už izoliuotų paviršių. Užkliudžius laidą, kuriuo teka srovė, įtampa gali būti perduota neizoliuotoms metalinėms elektrinio įrankio dalims ir operatoriui gali gauti elektros smūgį.
4. Būtinai įsitikinkite, kad tvirtai stovite. Jei naudojate įrankį aukštai, įsitikinkite, ar apačioje nėra žmonių.
5. Tvirtai laikykite įrenginį.
6. Laikykite rankas toliau nuo sukamųjų dalių.
7. Nepalikite veikiančio įrankio. Naudokite įrankį tik laikydamis rankomis.
8. Nelieskite gražto arba ruošinio iškart po naudojimo; jie gali būti itin karšti ir gali nudeginti odą.
9. Kai kuriose medžiagose esama cheminių medžiagų, kurios gali būti nuodingos. Saugokitės, kad neįkvėptumėte dulkių ir nesiliestumėte oda. Laikykitės medžiagų tiekėjo saugos duomenų.

### SAUGOKITE ŠIAS INSTRUKCIJAS.

**⚠️ ĮSPĖJIMAS:** NELEISKITE, kad patogumas ir gaminio pažinimas (įgyjamas pakartotinai naudojant susilpnintų griežtą saugos taisyklių, taikytinų šiam gaminiui, laikymąsi. Dėl NETINKAMO NAUDOJIMO arba saugos taisyklių, kurios pateiktos šioje instrukcijoje, nesilaikymo galima rimtai susižeisti.

### Svarbios saugos instrukcijos, taikomos akumulatoriaus kasetei

1. Prieš naudodami akumulatoriaus kasetę, perskaitykite visas instrukcijas ir perspėjimus ant (1) akumuliatorių įkroviklio, (2) akumuliatorių ir (3) akumuliatorių naudojančio gaminio.
2. Neardykite akumulatoriaus kasetės.
3. Jei įrankio darbo laikas žymiai sutrumpėjo, nedelsdami nutraukite darbą su įrankiu. Tai gali kelti perkaitimo, nudegimų ar net sprogdimo pavojų.

4. Jei elektrolitas pateko į akis, plaukite jas tyru vandeniu ir nedelsdami kreipkitės į gydytoją. Gali kilti regėjimo praradimo pavojus.
5. Neuztrumpinkite akumulatoriaus kasetės:
  - (1) Nelieskite kontaktų degiomis medžiagomis.
  - (2) Venkite laikyti akumulatoriaus kasetę kartu su kitais metaliniais daiktais, pavyzdžiui, vinimis, monetomis ir pan.
  - (3) Saugokite akumulatoriaus kasetę nuo vandens ir lietaus.Trumpasis jungimas akumuliatoriuje gali sukelti stiprią srovę, perkaitimą, galimus nudegimus ar net akumulatoriaus gedimą.
6. Nelaikykite įrankio ir akumulatoriaus kasetės vietoje, kur temperatūra gali pasiekti ar viršyti 50 °C.
7. Nedeginkite akumulatoriaus kasetės, net jei yra stipriai pažeista ar visiškai susidėvėjusi. Ugnyje akumulatoriaus kasetė gali sprogti.
8. Saugokite akumuliatorių nuo kritimo ir smūgių.
9. Nenaudokite pažeisto akumulatoriaus.
10. Įdėtoms ličio jonų akumuliatoriams taikomi Pavojausių prekių teisės akto reikalavimai. Komerčinis transportas, pvz., trečiųjų šalių, prekių vežimo atstovų, turi laikytis specialaus reikalavimo ant pakuotės ir ženklavimo. Norėdami paruošti siųstiną prekę, pasitarkite su pavojingų medžiagų specialistu. Be to, laikykitės galimai išsamesnių nacionalinių reglamentų. Užklijuokite juosta arba padenkite atvirus kontaktus ir supakuokite akumuliatorių taip, kad ji pakuotėje nejudėtų.
11. Vadovaukitės vietos įstatymais dėl akumuliatorių išmetimo.

### SAUGOKITE ŠIAS INSTRUKCIJAS.

**⚠️ PERSPĖJIMAS:** Naudokite tik originalų „Makita“ akumuliatorių. Neoriginalaus „Makita“ arba pakeisto akumulatoriaus naudojimas gali nulemti gaisrą, asmens sužalojimą ir pažeidimą. Tai taip pat panaikina „Makita“ suteikiamą „Makita“ įrankio ir įkroviklio garantiją.

### Patarimai, ką daryti, kad akumulatorius veiktų kuo ilgiau

1. Pakraukite akumulatoriaus kasetę prieš jai visiškai išsikraunant. Visuomet nustokite naudoti įrankį ir pakraukite akumulatoriaus kasetę, kai pastebite, kad įrankio galia sumažėjo.
2. Niekada nekraukite iki galo įkrautos akumulatoriaus kasetės. Perkraunant trumpėja akumulatoriaus eksploatacijos laikas.
3. Akumulatoriaus kasetę kraukite esant kambario temperatūrai 10 - 40 °C. Prieš pradėdami krauti, leiskite įkaitusiai akumulatoriaus kasetei atvėsti.
4. Įkraukite akumulatoriaus kasetę, jei jos nenaudojate ilgą laiką (ilgiau nei šešis mėnesius).

# VEIKIMO APRAŠYMAS

**⚠️ PERSPĖJIMAS:** Prieš pradėdami reguliuoti arba tikrinti įrankio veikimą, visuomet būtinai išjunkite įrankį ir išimkite akumulatoriaus kasetę.

## Akumulatoriaus kasetės uždėjimas ir nuėmimas

**⚠️ PERSPĖJIMAS:** Prieš įdėdami arba išimdami akumulatoriaus kasetę, visada išjunkite įrankį.

**⚠️ PERSPĖJIMAS:** Įdėdami arba išimdami akumulatoriaus kasetę, tvirtai laikykite įrankį ir akumulatoriaus kasetę. Jeigu įrankį ir akumulatoriaus kasetę laikysite netvirtai, jie gali išslysti iš jūsų rankų, todėl įrankis ir akumulatoriaus kasetė gali būti sugadinti, o naudotojas sužalotas.

- **Pav.1:** 1. Raudonas indikatorius 2. Mygtukas 3. Akumulatoriaus kasetė

Jei norite išimti akumulatoriaus kasetę, ištraukite ją iš įrankio, stumdami mygtuką, esantį kasetės priekyje.

Jei norite įdėti akumulatoriaus kasetę, sulygiuokite liežuvėlį ant akumulatoriaus kasetės su grioveliu korpuse ir įstumkite į jai skirtą vietą. Įdėkite iki galo, kol spragtelėdama užsifiksuos. Jeigu matote raudoną indikatorių viršutinėje mygtuko pusėje, ji nėra visiškai užfiksuota.

**⚠️ PERSPĖJIMAS:** Akumulatoriaus kasetę visada įkiškite iki galo, kol nebematysite raudono indikatoriaus. Priešingu atveju ji gali atsitiktinai iškristi iš įrankio, sužeisti jus arba aplinkinius.

**⚠️ PERSPĖJIMAS:** Nekiškite akumulatoriaus kasetės įėga. Jeigu kasetė sunkiai lenda, ją kišate netinkamai.

## Likusios akumulatoriaus galios rodymas

Taikoma tik akumuliatorių kasetėms, kurių modelio numerio gale yra „B“

- **Pav.2:** 1. Indikatorių lemputės 2. Tikrinimo mygtukas

Paspauskite akumulatoriaus kasetės tikrinimo mygtuką, kad būtų rodoma likusi akumulatoriaus energija. Maždaug trims sekundėms užsidegs indikatorių lemputės.

Indikatorių lemputės		Likusi galia
Šviečia	Nešviečia	
■ ■ ■ ■	□	75% - 100%
■ ■ ■ □	□	50% - 75%
■ ■ □ □	□ □	25% - 50%
■ □ □ □	□ □ □ □	0% - 25%

**PASTABA:** Rodmuo gali šiek tiek skirtis nuo faktinės energijos lygio – tai priklauso nuo naudojimo sąlygų ir aplinkos temperatūros.

## Įrankio / akumulatoriaus apsaugos sistema

Įrankyje įrengta įrankio / akumulatoriaus apsaugos sistema. Ši sistema automatiškai atjungia variklio maitinimą, kad įrankis ir akumulatorius ilgiau veiktų. Įrankis automatiškai išsijungs darbo metu esant vienai iš toliau nurodytų įrankio arba akumulatoriaus darbo sąlygų:

### Apsauga nuo perkrovos

Kai įrankis / akumulatorius naudojamas taip, kad neįprastai padidėja elektros srovė, įrankis automatiškai išsijungia be jokių indikatorių išspėjimų. Tokiu atveju atleiskite įrankio gaiduką ir nutraukite darbą, dėl kurio kilo įrankio perkrova. Po to vėl įjunkite įrankį.

### Apsauga nuo perkaitimo

Kai įrankis / akumulatorius perkaista, įrankis automatiškai išsijungia. Esant šiai situacijai, leiskite įrankiui / akumulatoriui atvėsti, prieš vėl jį jungdami.

### Apsauga nuo visiško išsekimo

Kai akumulatoriaus įkrovos lygis nepakankamas, įrankis automatiškai išsijungia. Tokiu atveju ištraukite akumuliatorių iš įrankio ir įkraukite jį.

**PASTABA:** Apsauga nuo perkaitimo (akumuliatoriui) veiks tik žvaigždute pažymėtiems akumulatoriams.

- **Pav.3:** 1. Žvaigždutės ženklas

## Jungiklio veikimas

- **Pav.4:** 1. Gaidukas

**⚠️ PERSPĖJIMAS:** Prieš montuodami akumulatoriaus kasetę įrankyje, visuomet patikrinkite, ar gaidukas tinkamai veikia ir atleistas grįžta į išjungimo padėtį „OFF“.

Jei norite paleisti įrankį, tiesiog patraukite jungiklį. Stipriau spaudžiant gaiduką, įrankio veikimo greitis didėja. Norėdami išjungti, atleiskite svirtinį gaiduką.

**PASTABA:** Laikant nuspaudus gaiduką maždaug 6 minutes, įrankis automatiškai išsijungia.

## Priekinės lemputės uždegimas

- **Pav.5:** 1. Lemputė

**⚠️ PERSPĖJIMAS:** Nežiūrėkite tiesiai į šviesą arba šviesos šaltinį.

Paspauskite gaiduką, kad užsidegtų lemputė. Lemputė švies tol, kol spausite gaiduką. Atleidus jungiklio gaiduką, lemputė užgesa maždaug po 10 sekundžių.

**PASTABA:** Kai įrankis perkaista, jis automatiškai išsijungia ir pradeda mirksėti lemputė. Šiuo atveju atlaisvinkite jungiklio paleidikį. Po vienos minutės lemputė išsijungs.

**PASTABA:** Purvą nuo lemos objektyvo nuvalykite sausu skudurėliu. Būkite atsargūs, kad nesubraižytumėte lemos objektyvo, nes pablogės apšvietimas.

## Atbulinės eigos jungimas

► **Pav.6:** 1. Atbulinės eigos svirtelė

**▲PERSPĖJIMAS:** Prieš naudodami visuomet patikrinkite sukimosi kryptį.

**▲PERSPĖJIMAS:** Atbulinės eigos jungiklį naudokite tik įrankiui visiškai sustojus. Jei keisite sukimosi kryptį prieš įrankiui sustojant, galite sugadinti įrankį.

**▲PERSPĖJIMAS:** Kai nenaudojate įrankio, visuomet nustatykite atbulinės eigos jungiklio svirtelę į neutralią padėtį.

Šis įrankis turi atbulinės eigos jungiklį sukimosi kryptiai keisti. Nuspauskite atbulinės eigos jungiklio svirtelę iš A pusės, kad suktyši pagal laikrodžio rodyklę, arba iš B pusės, kad suktyši prieš laikrodžio rodyklę. Kai atbulinės eigos jungiklio svirtelė yra neutralioje padėtyje, jungiklio spausti negalima.

## Veržimo sukimo momento reguliavimas

► **Pav.8:** 1. Reguliavimo žiedas 2. Padalos 3. Rodyklė

Priveržimo momentą galima reguliuoti 21 lygiais, sukant reguliavimo žiedą. Sulygiuokite padalas su rodykle, esančia ant įrankio korpuso. Galite nustatyti minimalų veržimo momentą 1 ir maksimalų veržimo momentą ties žyma.

Sankaba slys esant įvairiems sukimo momentams, nustatčius ties 1–20. Nustačius ties žyme žyma, sankaba neveikia. Prieš pradėdami tikrą darbą, įsukite bandomąjį varžtą į reikiamą ar analogišką medžiagą, kad išsiaiškintumėte, kurio sukimo momento lygio reikia konkrečiam darbui atlikti.

Toliau bendrais bruožais nurodyta, kokias padalas reikia naudoti sukant skirtingus varžtus.

Padalos		1	2	3	4	5	6	7	8	9	10	11	12	13	14	15	16	17	18	19	20
Mašininis sraigtas		M4				M5								M6							
Medvaržtis	Minkšta mediena (pvz., pušis)	–				φ3,5 x 22				φ4,1 x 38				–							
	Kieta mediena (pvz., lauanas)	–				φ3,5 x 22				φ4,1 x 38				–							

## SURINKIMAS

**▲PERSPĖJIMAS:** Prieš darydami ką nors įrankiui visada patikrinkite, ar įrenginys išjungtas, o akumuliatorių kasetė – nuimta.

## GREIČIO KEITIMAS

► **Pav.7:** 1. Greičio keitimo svirtelė

**▲PERSPĖJIMAS:** Visuomet nustatykite greičio keitimo svirtelę iki galo į tinkamą padėtį. Jei įrankį valdote greičio keitimo svirtelė, nustatyta per vidurį tarp padėčių „1“ ir „2“, galite sugadinti įrankį.

**▲PERSPĖJIMAS:** Nenaudokite greičio keitimo svirtelės tol, kol įrankis veikia. Įrankis galis sugesti.

Rodomas skaičius	Greitis	Sukimo momentas	Atliekamas darbas
1	Mažas	Didelis	Didelės apkrovos darbas
2	Didelis	Mažas	Mažos apkrovos darbas

Norėdami pakeisti greitį, pirmiausiai išjunkite įrankį.

Paspauskite greičio keitimo svirtelę, kad būtų rodomas „2“, reiškiantis didelį greitį, arba „1“ – mažą greitį, bet didelį sukimo momentą. Prieš pradėdami darbą, įsitinkinkite, kad greičio keitimo svirtelė nustatyta į tinkamą padėtį.

Jeigu dirbant nustačius „2“ greitį įrankio greitis stipriai sumažėja, paspauskite svirtį, kad būtų rodoma „1“, ir vėl tęskite darbą.

## Suktuvo / grąžo galvučių dėjimas ir išėmimas

**Modeliui DDF483 (pasirenkamas priedas)**

► **Pav.9:** 1. Įvorė 2. Uždaryti 3. Atidaryti

Pasukite įvorę prieš laikrodžio rodyklę, kad atidarytumėte kumštelinį griebtuvą. Įdėkite suktuvo / grąžo galvutę į kumštelinį griebtuvą tiek giliai, kiek lenda. Pasukite įvorę pagal laikrodžio rodyklę, kad priveržtumėte kumštelinį griebtuvą. Jei norite išimti suktuvo / grąžo galvutę, pasukite įvorę prieš laikrodžio rodyklę.

## Suktuvo galvutės / sukimo antgalio dėjimas ir išėmimas

### Modeliui DDF083 (pasirenkamas priedas)

#### ► Pav.10

Naudokite tik tokią sukтуvo galvutę / sukimo antgalį, kurio įkišama dalis yra tokia, kaip parodyta paveikslėlyje. Nenaudokite jokios kitos sukтуvo galvutės / sukimo antgalio.

### Įrankiui su negilia anga sukтуvo galvutėms

A = 12 mm B = 9 mm	Naudokite tik šių tipų sukтуvo galvutes. Atlikite 1 procedūrą. (Pastaba) Suktuvo antgalis nereikalingas.
-----------------------	--

### Įrankiui su gilia anga sukтуvo galvutėms

A = 17 mm B = 14 mm	Norėdami įtvirtinti šių tipų sukтуvo galvutes, atlikite 1 procedūrą.
A = 12 mm B = 9 mm	Norėdami įtvirtinti šių tipų sukтуvo galvutes, atlikite 2 procedūrą. (Pastaba) Tvirtinant galvutę sukтуvo antgalis reikalingas.

1. Norėdami įstatyti sukтуvo galvutę, stumkite įvorę rodyklės kryptimi ir kiškite į ją sukтуvo galvutę tiek, kiek ji lenda.  
Tada atleiskite įvorę, kad galvutė užsifiksuotų.  
► Pav.11: 1. Suktuvo galvutė 2. Įvorė
2. Norėdami įstatyti sukтуvo galvutę, stumkite įvorę rodyklės kryptimi ir kiškite į ją sukтуvo antgalį ir sukтуvo galvutę tiek, kiek ji lenda. Suktuvo dalį į įvorę reikia kišti smailiuoju galu. Tada atleiskite įvorę ir sukтуvo galvutę bus užtvirtinta.  
► Pav.12: 1. Suktuvo galvutė 2. Suktuvo antgalis 3. Įvorė

Norėdami ištraukti sukтуvo galvutę, traukite įvorę rodyklės kryptimi ir ištraukite galvutę.

**PASTABA:** Jeigu sukтуvo galvutės neįkišite į įvorę iki galo, įvorė nesugrįš į pradinę padėtį ir galvutė neužsifiksuos. Tokiu atveju dar kartą pabandykite įkišti galvutę, laikydamiesi anksčiau išdėstytų nurodymų.

**PASTABA:** Įdėję galvutę, įsitikinkite, ar ji tvirtai pritvirtinta. Jei ji iškrenta, nenaudokite jos.

## Kabliuko montavimas

#### ► Pav.13: 1. Griovelis 2. Kablys 3. Varžtas

Kablys yra patogus, kai norite trumpam pakabinti įrankį. Jį galima uždėti bet kurioje įrankio pusėje. Norėdami sumontuoti kablį, įkiškite jį į bet kurioje įrankio korpuso pusėje esantį griovelį, po to priveržkite jį varžtu. Norėdami kablį nuimti, atsukite varžtą ir nuimkite jį.

## Suktuvo galvutės laikiklio sumontavimas

### Pasirenkamas priedas

- Pav.14: 1. Suktuvo galvutės montavimo laikiklis  
2. Suktuvo galvutė

Įkiškite sukтуvo galvutės laikiklį į iškyšą, esančią įrankio kojelės dešinėje arba kairėje, ir tvirtai priveržkite jį varžtu.

Jeigu sukтуvo galvutės nenaudojate, palikite ją laikiklyje. Ten galima laikyti 45 mm ilgio sukтуvo galvutes.

## NAUDOJIMAS

**▲PERSPĖJIMAS:** Visuomet iki galo įkiškite akumulatoriaus kasetę, kad tinkamai užsifiksuotų. Jeigu matote raudoną indikatorių viršutinėje mygtuko pusėje, ji nėra visiškai užfiksuota. Įstumkite ją iki galo tol, kol nebematysite raudono indikatoriaus. Priešingu atveju ji gali atsiktinkai iškristi iš įrankio, sužeisti jus arba aplinkinius.

**▲PERSPĖJIMAS:** Jeigu greitis nepaprastai smarkiai sumažėja, sumažinkite apkrovą arba išjunkite įrankį, kad jis nebūtų sugadintas.

Norėdami kontroliuoti užsikimą, viena ranka tvirtai laikykite įrankį už rankenos, o kita ranka – už akumulatoriaus kasetės apačios.

#### ► Pav.15

## Varžtų sukimas


**▲PERSPĖJIMAS:** Sureguliuokite reguliavimo žiedą tinkamam jūsų darbo lygiui.

**▲PERSPĖJIMAS:** Patikrinkite, ar sukтуvas įstatytas tiesiai į varžto galvutę, nes galima sugadinti varžtą ir (arba) sukтуvo galvutę.

Pridėkite varžtų sukтуvo galvutę prie varžto galvutės ir paspauskite įrankį. Pradėkite dirbti įrankiu mažu greičiu ir palaipsniui didinkite greitį. Atleiskite mygtuką, kai tik įlenda griebtuvas.

**PASTABA:** Norėdami sukti medvaržčius, iš anksto išgręžkite vedančiąsias 2/3 varžto skersmens skylutes. Tuomet medvaržčius sukti bus lengviau ir ruošinys neskilinės.

## Gręžimas

Pirmaisiai pasukite reguliavimo žiedą taip, kad rodyklė būtų nukreipta į  žymą. Toliau atlikite šiuos veiksmus.

## Medienos gręžimas

Kai gręžiate medieną, geriausi rezultatai gaunami su grąžtais, turinčiais pagrindinį varžtą. Kreipiamasis sraigtas palengvina gręžimą, įtraukdamas grąžto galvutę į ruošinį.

## Kadalo gręžimas

Kad grąžto galvutė neslystų, kai pradėdote gręžti skylę, įmuškite duobutę centro muškėliu ir plaktuku numatomoje gręžimo vietoje. Pridėkite grąžto galvutės galą prie įdubimo ir pradėkite gręžti.

Gręždami metalus, naudokite pjovimo tepalą. Išimtyms – geležis ir žalvaris, kuriuos reikia gręžti sausiai.

**▲PERSPĖJIMAS:** Per didelis įrankio spaudimas nepagreitins gręžimo. Iš tikrųjų dėl tokio spaudimo gali būti pažeista grąžto galvutė, pablogėti įrankio darbas ir sutrumpėti jo eksploataavimo trukmė.

**▲PERSPĖJIMAS:** Laikykite įrankį tvirtai ir atsargiai žiūrėkite, kada grąžto galvutė pradės gręžti ruošinį. Įrankį / grąžto galvutę veikia didelė sukamoji jėga, kai gręžiama skylė.

**▲PERSPĖJIMAS:** Įstrigusią grąžto galvutę galima ištraukti tiesiog atbulinės eigos jungikliį nustatant į atbulinės eigos padėtį. Tačiau įrankis gali grubiai judėti atgal, jei tvirtai nelaikysite įrankio.

**▲PERSPĖJIMAS:** Visada pritvirtinkite apdirbamus gaminius spaustuvoose arba panašiam prilaikymo prietaisui.


**▲PERSPĖJIMAS:** Jei įrankis naudojamas tol, kol akumulatoriaus kasetė išsikrauna, leiskite įrankiui pailsėti 15 minučių prieš tęsdami su kitu akumulatoriumi.

## Įrankio kaip rankinio suktuvo naudojimas.

### ► Pav.16

Išjunkite įrankį.

Atbulinės eigos jungiklio svirtelę nustatykite į neutralią padėtį.

Pasukite nustatymo žiedą taip, kad rodyklė rodytų į žymę .

Pasukite įrankį.

**PASTABA:** Taip patogiu patikrinti varžto sukimą.

**PASTABA:** Nenaudokite įrankio darbui, reikalaujančiam didelės jėgos, pavyzdžiui, varžtams priveržti arba surūdijusiems varžtams išsukti.

## TECHNINĖ PRIEŽIŪRA

**▲PERSPĖJIMAS:** Visuomet įsitikinkite, ar įrankis yra išjungtas ir akumulatoriaus kasetė yra nuimta prieš atlikdami apžiūrą ir priežiūrą.

**PASTABA:** Niekada nenaudokite gazolino, benzino, tirpiklio, spirito arba panašių medžiagų. Gali atsirasti išblukimų, deformacijų arba įtrūkimų.

Kad gaminys būtų SAUGUS ir PATIKIMAS, jį taisyti, apžiūrėti ar vykdyti bet kokią kitą priežiūrą ar derinimą turi įgaliotasis kompanijos „Makita“ techninės priežiūros centras; reikia naudoti tik kompanijos „Makita“ pagamintas atsargines dalis.

## PASIRENKAMI PRIEDAI

**▲PERSPĖJIMAS:** Šiuos papildomus priedus arba įtaisus rekomenduojama naudoti su šioje instrukcijoje nurodytu „Makita“ bendrovės įrankiu. Naudojant bet kokius kitus papildomus priedus arba įtaisus, gali kilti pavojus sužeisti žmones. Naudokite tik nurodytam tikslui skirtus papildomus priedus arba įtaisus.

Jeigu norite daugiau sužinoti apie tuos priedus, kreipkitės į artimiausią „Makita“ techninės priežiūros centrą.

- Grąžtai
- Suktuvo galvutės
- Suktuvo galvutės montavimo laikiklis
- Kablys
- Originalus „Makita“ akumulatorius ir įkroviklis

**PASTABA:** Kai kurie sąrašė esantys priedai gali būti pateikti įrankio pakuotėje kaip standartiniai priedai. Jie įvairiose šalyse gali skirtis.

## TEHNILISED ANDMED

Mudel:	DDF483		DDF083	
Puurimisvõimekus	Teras	13 mm		
	Puit	36 mm		
Kinnitamisvõimekus	Puidukruvi	6 mm x 75 mm		
	Metallikruvi	M6		
Koorumseta kiirus	Kiire (2)	0 - 1 700 min <sup>-1</sup>		
	Aeglane (1)	0 - 500 min <sup>-1</sup>		
Üldpikkus	162 mm		124 mm	
Nimipinge	Alalisvool 18 V			
Akukassett	BL1815N, BL1820, BL1820B	BL1830, BL1830B, BL1840, BL1840B, BL1850, BL1850B, BL1860B	BL1815N, BL1820, BL1820B	BL1830, BL1830B, BL1840, BL1840B, BL1850, BL1850B, BL1860B
Netokaal	1,3 kg	1,5 kg	1,1 kg	1,3 kg

- Meie pideva uuringu- ja arendusprogrammi tõttu võidakse tehnilisi andmeid muuta ilma sellest ette teatamata.
- Tehnilised andmed ja akukassett võivad riigiti erineda.
- Kaal koos akukassetiga, EPTA-protseduuri 01/2003 kohaselt

## Kavandatud kasutus

See tööriist on mõeldud puidu, metalli ja plasti puurimiseks ning sinna kruvide keeramiseks.

## Müra

Tüüpiline A-korrigeeritud müratase, määratud standardi EN60745 kohaselt:

Helirõhutase ( $L_{pA}$ ): 77 dB (A)

Määramatus (K): 3 dB (A)

Töötamisel võib müratase ületada 80 dB (A).

**⚠️ HOIATUS:** Kasutage kõrvakaitsmeid.

## Vibratsioon

Vibratsiooni koguväärtus (kolmeteljeliste vektorite summa) määratud standardi EN60745 kohaselt:

Töörežiim: metalli puurimine

Vibratsiooniheide ( $a_{h,D}$ ): 2,5 m/s<sup>2</sup> või vähem

Määramatus (K): 1,5 m/s<sup>2</sup>

**MÄRKUS:** Deklareeritud vibratsiooniheite väärtus on mõeldud kooskõlas standardse testimismeetodiga ning seda võib kasutada ühe seadme võrdlemiseks teisega.

**MÄRKUS:** Deklareeritud vibratsiooniheite väärtust võib kasutada ka mürataseme esmaseks hindamiseks.

**⚠️ HOIATUS:** Vibratsioonitase võib elektritööriista tegelikkuses kasutamise ajal erineda deklareeritud väärtusest olenevalt tööriista kasutamise viisidest.

**⚠️ HOIATUS:** Rakendage operaatore kaitsmiseks kindlasti piisavaid ohutusabinõusid, mis põhinevad hinnangulisel müratasemel tegelikus tööolukorras (võttes arvesse tööperioodi kõiki osasid, nagu näiteks korrad, kui seade lülitatakse välja ja seade töötab tühikäigul, lisaks tööajale).

## EÜ vastavusdeklaratsioon

## Ainult Euroopa riikide puhul

EÜ vastavusdeklaratsioon sisaldub käesoleva juhendi Lisas A.

## OHUTUSHOIATUSED

## Üldised elektritööriistade ohutushoiatused

**⚠️ HOIATUS:** Lugege läbi kõik ohutushoiatused ja juhtnõupid. Hoiatuste ja juhtnõupid mittejärgmine võib põhjustada elektrišokki, tulekahju ja/või tõsisid vigastusi.

## Hoidke edaspidisteks viide- teks alles kõik hoiatused ja juhtnõupid.

Hoiatuses kasutatud termini „elektritööriist“ all peetakse silmas elektriga töötavaid (juhtmega) elektritööriistu või akuga töötavaid (juhtmeta) elektritööriistu.



## Juhtmeta trell-kruvikeeraja ohutusnõuded

1. Kasutage lisakäepidet/pidemeid, kui need on tööriistadega kaasas. Kontrolli puudumine võib põhjustada inimestele vigastusi.
2. Hoidke elektritööriista isoleeritud käepidemest, kui lõikate ja lõikeriist võib kokku puutuda peidetud juhtmetega. Voolu all oleva juhtmega kokkupuutes sattunud lõiketera võib pingestada elektritööriista metalloosi ning põhjustada kasutajale elektrilöögi.
3. Hoidke elektritööriista isoleeritud haardepindadest, kui töötate kohas, kus kinnitusvahend võib sattuda kokkupuutesse varjatud elektrijuhtmetega. Kinnitustetaili kokkupuude elektrijuhtmega võib pingestada tööriista avatud metalloosi, mille tulemusel võib operaator saada elektrilöögi.
4. Veenduge alati, et teie jalgealne oleks kindel. Kui töötate kõrguses, siis jälgige, et teist allpool ei viibiks inimesi.
5. Hoidke tööriistast kindlalt kinni.
6. Hoidke käed eemal pöörlevatest osadest.
7. Ärge jätke tööriista käima. Käivitage tööriist ainult siis, kui hoiate seda käes.
8. Ärge puutuge puuri või töödeldavat detaili vahetult peale puurimist; need võivad olla väga kuumad ja põhjustada põletushaavu.
9. Mõned materjalid võivad sisaldada mürgiseid aineid. Võtke meetmed tolmu sissehingamise ja nahaga kokkupuute vältimiseks. Järgige materjali tarnija ohutusteavet.

## HOIDKE JUHEND ALLES.

**⚠️HOIATUS:** ÄRGE UNUSTAGE järgida toote ohutusnõudeid mugavuse või toote (korduskasutamise saavutatud) hea tundmise tõttu. VALE KASUTUS või kasutusjuhendi ohutuseeskirjade eiramine võib põhjustada tervisekahjustusi.

## Akukassetiga seotud olulised ohutusjuhised

1. Enne akukasseti kasutamist lugege (1) akulaadial, (2) akul ja (3) seadmel olevad juhtnõupid ja hoiatused läbi.
2. Ärge võtke akukassetti lahti.
3. Kui tööaeg järsult lüheneb, siis lõpetage kohe kasutamine. Edasise kasutamise tulemuseks võib olla ülekuumenemisoht, võimalikud põletused või isegi plahvatus.
4. Kui elektrilüüti satub silma, siis loputage silma puhta veega ja pöörduge koheselt arsti poole. Selline õnnetus võib põhjustada pimedaksjäämist.
5. Ärge tekitage akukassetis lühist:
  - (1) Ärge puutuge klemme elektrijuhtidega.
  - (2) Ärge hoidke akukassetti tööriistakastis koos metallesemetega, nagu naelad, mündid jne.
  - (3) Ärge tehke akukassetti märjaks ega jätke seda vihma kätte.

- Aku lõhise võib põhjustada tugev elektrivoolu, ülekuumenemist, põletusi ning ka sea-dat tõsiselt kahjustada.
6. Ärge hoidke tööriista ja akukassetti kohtades, kus temperatuur võib tõusta üle 50 °C.
7. Ärge põletage akukassetti isegi siis, kui see on saanud tõsiselt vigastada või on täiesti kulumud. Akukassett võib tules plahvata.
8. Olge ettevaatlik, ärge laske akul maha kukkuda ja vältige lööke.
9. Ärge kasutage kahjustatud akut.
10. Sisalduvatele liitium-ioonakudele võivad kohalduda ohtlike kaupade õigusaktide nõuded. Kaubanduslikul transportimisel, näiteks kolmanda poolte või transpordiettevõtete poolt, tuleb järgida pakendil ja siltidel toodud erinõudeid. Transportimiseks ettevalmistamisel on vajalik pidada nõu ohtliku materjali eksperdigiga. Samuti tuleb järgida võimalike riiklike regulatsioonide üksikasjalikumaid nõudeid. Katke teibiga või varjake avatud kontaktid ja pakendage aku selliselt, et see ei saaks pakendis liikuda.
11. Järgige kasutuskoõlmatuks muutunud aku käitlemisel kohalike eeskirju.

## HOIDKE JUHEND ALLES.

**⚠️ETTEVAATUST:** Kasutage ainult Makita originaalakusid. Mitte Makita originaalakude või muudetud akude kasutamine võib põhjustada akude süttimise, kehavigastuse ja kahjustuse. Samuti muudab see kehtetuks Makita tööriista ja laadija Makita garantii.

## Vihjeid aku maksimaalse kasutaja tagamise kohta

1. Laadige akukassetti enne selle täielikku tühjenemist. Kui märkate, et tööriist töötab väiksema võimsusega, peatage töö ja laadige akukassetti.
2. Ärge laadige täielikult laetud akukassetti. Ülelaadimine lühendab akude kasutusiga.
3. Laadige akukassetti toatemperatuuril 10 °C - 40 °C. Enne laadimist laske kuumenenud akukassetil maha jahtuda.
4. Kui te ei kasuta akukassetti kauem kui kuus kuud, laadige see.

# FUNKTSIONAALNE KIRJELDUS

**⚠ETTEVAATUST:** Kandke alati hoolt selle eest, et tööriist oleks enne reguleerimist ja kontrollimist välja lülitatud ja akukassett eemaldatud.

## Akukasseti paigaldamine või eemaldamine

**⚠ETTEVAATUST:** Lülitage tööriist alati enne akukasseti paigaldamist või eemaldamist välja.

**⚠ETTEVAATUST:** Akukasseti paigaldamisel või eemaldamisel tuleb tööriista ja akukassetti kindlalt paigal hoida. Kui tööriista ja akukassetti ei hoita kindlalt paigal, võivad need käest libiseda ning kahjustada tööriista ja akukassetti või põhjustada kehavigastusi.

► **Joon.1:** 1. Punane näidik 2. Nupp 3. Akukassett

Akukasseti eemaldamiseks libistage see tööriista küljest lahti, vajutades kasseti esiküljel paiknevat nuppu alla.

Akukasseti paigaldamiseks joondage akukasseti keel korpuse soonega ja libistage kassett oma kohale. Paigaldage akuadapter alati nii kaugemale, et see lukustuks klõpsatusega oma kohale. Kui näete nupu ülaosas punast osa, pole kassett täielikult lukustunud.

**⚠ETTEVAATUST:** Paigaldage akukassett alati täies ulatuses nii, et punast osa ei jääks näha.

Muidu võib adapter juhuslikult tööriistast välja kukkuda ning põhjustada teile või läheduses viibivatele isikutele vigastusi.

**⚠ETTEVAATUST:** Ärge rakendage akukasseti paigaldamisel jõudu. Kui kassett ei lähe kergesti sisse, pole see õigesti paigaldatud.

## Aku jääkmahutavuse näit

**Ainult akukassetid, mille mudelinumber lõppeb tähena „B”**

► **Joon.2:** 1. Märgulambid 2. Kontrollimise nupp

Akukasseti järelejäänud mahutavuse kontrollimiseks vajutage kontrollimise nuppu. Märgulambid süttivad mõneks sekundiks.

Märgulambid	Jääkmahutavus
Põleb      Ei põle	
	75–100%
	50–75%
	25–50%
	0–25%

**MÄRKUS:** Näidatud mahutavus võib veidi erineda tegelikust mahutavusest olenevalt kasutustingimustest ja ümbritseva keskkonna temperatuurist.

## Tööriista/aku kaitsesüsteem

Tööriist on varustatud tööriista või aku kaitsesüsteemiga. Süsteem lülitab mootori automaatselt välja, et pikendada tööriista ja aku tööiga. Tööriist seiskub käitamise ajal automaatselt, kui tööriista või aku kohta kehtib üks järgmistest tingimustest.

## Ülekoormuskaitse

Kui tööriista/aku kasutamise käigus hakkab see tarbima ebaharilikult palju voolu, peatub tööriist automaatselt ilma igasuguse signaalita. Sellisel juhul lülitage tööriist välja ja lõpetage tööriista ülekoormuse põhjustanud kasutus. Pärast seda käivitage tööriist uuesti.

## Ülekuumenemiskaitse

Tööriista/aku ülekuumenemisel seiskub tööriist automaatselt. Sellises olukorras laske tööriista/akul enne uuesti kasutamist jahtuda.

## Ülelaadimiskaitse

Kui aku laetuse tase ei ole piisav, seiskub tööriist automaatselt. Sellisel juhul eemaldage aku seadmest ja laadige täis.

**MÄRKUS:** Ülekuumenemise kaitse (akudel) töötab ainult tähega märgistatud akude puhul.

► **Joon.3:** 1. Tähemärgis

## Lüliti funktsioneerimine

► **Joon.4:** 1. Lüliti päästik

**⚠ETTEVAATUST:** Kontrollige alati enne akukasseti tööriista külge paigaldamist, kas lüliti päästik funktsioneerib nõuetekohaselt ja liigub lahtilaskmisel tagasi väljalülitatud asendisse.

Tööriista tööle panemiseks on vaja lihtsalt lüliti päästikut tõmmata. Tööriista kiirus kasvab siis, kui suurendate survet lüliti päästikule. Vabastage lüliti päästik tööriista seiskamiseks.

**MÄRKUS:** Tööriist seiskub automaatselt, kui vajutate lülitipäästikut umbes 6 minutit.

## Eesmise lambi süütamine

► **Joon.5:** 1. Lamp

**⚠ETTEVAATUST:** Ärge vaadake otse valgusesse ega valgusallikat.

Lambi süütamiseks tõmmake lüliti päästikut. Lamp põleb sel ajal, kui tõmmatakse lüliti päästikut. Lamp kustub umbes 10 sekundit pärast lüliti päästiku vabastamist.

**MÄRKUS:** Kui tööriist on ülekuumenenud, seiskub tööriist automaatselt ja lamp hakkab vilkuma. Sellisel juhul vabastage lüliti päästik. Lamp lülitub ühe minuti pärast välja.

**MÄRKUS:** Pühkige lamp kuiva lapiga puhtaks. Olge seda tehes ettevaatlik, et lambi läätse mitte kriimustada, sest muidu võib valgustus väheneda.

## Suunamuutmise lüliti töötamisviis

► **Joon.6:** 1. Suunamuutmise lüliti hoob

**⚠ETTEVAATUST:** Enne töö alustamist kontrollige alati pöörlemise suunda.

**⚠ETTEVAATUST:** Kasutage suunamuutmislülitit alles pärast tööriista täielikku seiskumist. Enne tööriista seiskumist suuna muutmine võib tööriista kahjustada.

**⚠ETTEVAATUST:** Kui tööriista ei kasutata, peab suunamuutmislülitit hoob olema alati neutraalses asendis.

Sellel tööriistal on suunamuutmise lüliti, millega saab muuta pöörlemise suunda. Suruge suunamuutmislülitit hoob A-küljel alla – tööriist pöörleb päripäeva, vastupäeva pöörlemiseks suruge see alla B-küljel. Kui suunamuutmislülitit hoob on neutraalses asendis, siis lüliti päästikut tõmmata ei saa.

## Kiiruse muutmine

► **Joon.7:** 1. Kiiruseregulaatori hoob

**⚠ETTEVAATUST:** Seadke kiiruseregulaatori hoob alati korralikult õigesse asendisse. Tööriista kasutamine selliselt, et kiiruseregulaatori hoob paikneb „1” ja „2” asendi vahel, võib tööriista kahjustada.

**⚠ETTEVAATUST:** Ärge kasutage kiiruseregulaatori hooba siis, kui tööriist töötab. See võib tööriista kahjustada.


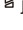
Näha olev number	Kiirus	Väändemoment	Sobiv toiming
1	Kiire	Aeglane	Suure koormusega töötamine
2	Aeglane	Kiire	Kerge koormusega töötamine

Kiiruse muutmiseks lülitage tööriist kõigepealt välja. Vajutage kiiruseregulaatori hooba nii, et kiire kiiruse puhul oleks nähtaval „2”, ning aeglase kiiruse, kuid suure jõumomendi puhul „1”. Veenduge, et kiiruseregulaatori hoob oleks enne töötamise alustamist õiges asendis.

Kui kiirus väheneb seadistuse „2” kasutamise ajal liiga järsult, vajutage hoob seadistusele „1” ja alustage töötamist uuesti.

## Kinnitamiste väändemomendi reguleerimine

► **Joon.8:** 1. Reguleerimisrõngas 2. Mõõteskaala 3. Nool

Pingutusjõude saab reguleerimisrõngast pöörates 21 astme ulatuses muuta. Viige gradeerimisnumbrid kohakuti tööriista korpusel oleva noolega. Minimaalse pingutusjõu saate „1” ja maksimaalse pingutusjõu  märgise juures. Sidur libiseb erinevatel väändemomendi tasemetel, kui seadeks on number 1 kuni 20. Märgise  juures sidur ei toimi.

Enne tööriista kasutamist kruvige üks kruvi prooviks töödeldavasse pinda või samasesse pinda, et teha kindlaks, milline väändemomendi tase on töö jaoks sobivaim.

Alljärgneval joonisel on näidatud kruvi suuruse ja mõõteskaala jaotise ligikaudne vastavus.

Mõõteskaala	1	2	3	4	5	6	7	8	9	10	11	12	13	14	15	16	17	18	19	20
Metallikruvi	M4				M5								M6							
Puidukruvi	Okaspuu (näiteks määnd)		–		φ3,5 x 22				φ4,1 x 38				–							
	Lehtpuu (näiteks lauan)		–		φ3,5 x 22						φ4,1 x 38				–					

## KOKKUPANEK

**⚠ETTEVAATUST:** Kandke alati hoolt selle eest, et tööriist oleks enne igasuguseid hooldustöid välja lülitatud ja akukassett eemaldatud.

## Kruvikeeraja otsaku / puuriotsaku paigaldamine või eemaldamine

**Mudel DDF483 (valikuline lisatarvik)**

► **Joon.9:** 1. Hülss 2. Sulge 3. Ava

Keerake pakkide avamiseks padruni keret vastupäeva. Paigaldage kruvikeeraja otsak / puuriotsak padrunisse maksimaalsele sügavusele. Keerake padruni pingutamiseks selle keret vastupäeva. Kruvikeeraja otsaku / puuriotsaku eemaldamiseks keerake padruni keret vastupäeva.

## Kruvikeeraja otsaku/sokliotsaku paigaldamine või eemaldamine

### Mudel DDF083 (valikuline lisatarvik)

#### ► Joon.10

Kasutage ainult otsakut/sokliotsakut, mille sisestata va osa on joonisel näidatud. Ärge kasutage teistsuguseid kruvikeeraja otsakuid / sokliotsakuid.

#### Madala kruvikeeraja otsaku avaga seadmele

A = 12 mm B = 9 mm	Kasutage ainult seda tüüpi kruvikeeraja otsakut. Järgige toimingut 1. (Märkus) Otsakuhoidik ei ole vajalik.
-----------------------	---

#### Sügava kruvikeeraja otsaku avaga seadmele

A = 17 mm B = 14 mm	Seda tüüpi kruvikeeraja otsakute paigaldamiseks järgige toimingut 1.
A = 12 mm B = 9 mm	Seda tüüpi kruvikeeraja otsakute paigaldamiseks järgige toimingut 2. (Märkus) Otsaku paigaldamiseks on vajalik otsakuhoidik.

1. Kruvikeeraja otsaku paigaldamiseks tõmmake hülssi noole suunas ja torgake kruvikeeraja otsak võimalikult sügavale hülssi.

Seejärel vabastage hülss kruvikeeraja otsaku kinnitamiseks.

#### ► Joon.11: 1. Kruvikeeraja otsak 2. Hülss

2. Kruvikeeraja otsaku paigaldamiseks tõmmake hülssi noole suunas ning torgake otsakuhoidik ja kruvikeeraja otsak võimalikult sügavale hülssi. Otsakuhoidik tuleb panna hülssi nii, et terav ots oleks suunatud sissepoole. Seejärel vabastage hülss kruvikeeraja otsaku fikseerimiseks.

#### ► Joon.12: 1. Kruvikeeraja otsak 2. Otsakuhoidik 3. Hülss

Kruvikeeraja otsaku eemaldamiseks tõmmake hülssi noole suunas ja tõmmake kruvikeeraja otsak välja.

**MÄRKUS:** Kui kruvikeeraja otsakut ei panda piisavalt sügavale hülssi, ei pöördu hülss tagasi algasendisse ja kruvikeeraja otsak ei fikseeru. Sel juhul proovige otsakut eespool toodud suuniste kohaselt uuesti paigaldada.

**MÄRKUS:** Pärast kruvikeeraja otsaku sisestamist kontrollige, kas see on tugevalt kinni. Kui see ei tule enam välja, ärge kasutage seda.

## Konksu paigaldamine

#### ► Joon.13: 1. Soon 2. Konks 3. Kruvi

Konksu abil saate tööriista ajutiselt kuhugi riputada. Selle võib paigaldada tööriista ükskõik kummale küljele. Konksu paigaldamiseks torgake see tööriista korpuse ükskõik kummal küljel olevasse õnarusse ja kinnitage kruviga. Eemaldamiseks lõdvendage kruvi ja võtke see siis välja.

## Kruvikeeraja otsaku hoidik paigaldamine

### Valikuline tarvik

#### ► Joon.14: 1. Kruvikeeraja otsaku hoidik 2. Kruvikeeraja otsak

Asetage kruvikeeraja otsakute hoidik tööriista jalami juures parem- või vasakpoolsel küljel olevasse eendisse ja kinnitage kruviga.

Kui te kruvikeeraja otsakuid ei kasuta, hoidke neid kruvikeeraja otsakute hoidikus. Seal saate hoida kuni 45 mm pikkuseid kruvikeeraja otsakuid.

## TÖÖRIISTA KASUTAMINE

**⚠ETTEVAATUST:** Pange akukasett alati sisse nii sügavale, et see lukustuks oma kohale. Kui näete nupu ülaoas punast osa, pole kassett täielikult lukustunud. Sisestage see täies ulatuses nii, et punast osa ei jääks näha. Muidu võib adapter juhuslikult tööriistast välja kukkuda ning põhjustada teile või läheduses viibivatele isikutele vigastusi.

**⚠ETTEVAATUST:** Kui kiirus väheneb olulisel määral, siis vähendage koormust või seisake tööriist, et vältida tööriista kahjustamist.

Väändeliikumise kontrolli all hoidmiseks hoidke tööriista kindlalt ühe käega käepidemest ja teise käega akukasetti alt.

#### ► Joon.15

## Kruvikeeraja režiim

**⚠ETTEVAATUST:** Reguleerige regulaatorrõngas tööks sobivale väändemomendi tasemele.

**⚠ETTEVAATUST:** Veenduge, et kruvikeeraja otsak oleks asetatud kruvipeasse otse, sest muidu võite kruvi ja/või kruvikeeraja otsakut kahjustada.

Asetage kruvikeeraja otsaku tipp kruvipeasse ja suruge tööriistale. Käivitage tööriist aeglaselt ja seejärel suurendage järk-järgult kiirust. Vabastage lüliti päästik niipea, kui sidur rakendub.

**MÄRKUS:** Puidukruvi paigaldamisel puurige enne juhtauku, mille läbimõõt moodustab 2/3 kruvi läbimõõdust. See hõlbustab kruvi paigaldamist ja aitab vältida töödeldava detaili lõhenemist.

## Puurimisrežiim

Esmalt pöörake reguleerimisrõngast nii, et nool oleks suunatud märgisele . Seejärel tegutsege järgmiselt.

## Puidu puurimine

Puidu puurimise hõlbustamiseks kasutage juhtkruviga puure. Juhtkruvi lihtsustab puurimist, tõmmates kruvikeeraja otsaku pinna sisse.

## Metalli puurimine

Puuriotsaku libisemise vältimiseks puurimise alustamise hetkel, tehke puuritavasle kohta kärni ja haamriga märge. Asetage puuriotsaku tipp märgi kohale ja alustage puurimist.

Metallide puurimisel kasutage lõikuri määrdedli. Erandiks on raud ja messing, mida tuleks puurida kuivalta.

**⚠️ ETTEVAATUST:** Liiga suur surve seadmele ei kiirenda puurimist. Liigne surve hoopis kahjustab puuriotsaku tippu, vähendab seadme efektiivsust ja lühendab seadme tööiga.

**⚠️ ETTEVAATUST:** Hoidke tööriista kindlalt ning olge tähelepanelik, kui puuriotsak hakkab puuritava materjalist läbi tungima. Materjali läbistamisel rakendub tööriistale/puuriotsakule väga suur jõud.

**⚠️ ETTEVAATUST:** Kinnikiilunud puuriotsaku saab lihtsalt vabastada, kui muudate puuri põõrlemissuuna vastupidiseks. Kui tööriista ei hoita kindlalt, võib see ootamatult tagasi viskuda.

**⚠️ ETTEVAATUST:** Kinnitage töödeldavad esemed alati kruustangide või mõne sarnase kinnitusvahendiga.


**⚠️ ETTEVAATUST:** Kui tööriistaga töötatakse järjest seni, kuni akukassett on tühi, laske tööriistal enne uue akuga töö jätkamist 15 minutit seista.

## Tööriista kasutamine käsikruvikeerajana

### ► Joon.16

Lülitage tööriist välja.

Viige suunamuutmislüliti hooob neutraalasendisse.

Pöörake regulaatorrõngast selliselt, et osuti osutaks sümbolile .

Pöörake tööriista.

**MÄRKUS:** Selline kasutusviis on mugav kruvikeeramise kontrolliiks.

**MÄRKUS:** Ärge kasutage seda tööriista suurt jõudu vajavaks tööks, näiteks poltide kinnitamiseks või roostes kruvide eemaldamiseks.

## HOOLDUS

**⚠️ ETTEVAATUST:** Enne kontrolli- või hooldustoimingute tegemist kandke alati hoolt selle eest, et tööriist oleks välja lülitatud ja akukassett korpusse küljest eemaldatud.

**TÄHELEPANU:** Ärge kunagi kasutage bensiini, vedeldit, alkoholi ega midagi muud sarnast. Selle tulemuseks võib olla luitumine, deformatsioon või pragunemine.

Toote OHUTUSE ja TÖÖKINDLUSE tagamiseks tuleb vajalikud remonttööd ning muud hooldus- ja reguleerimistööd lasta teha Makita volitatud teeninduskeskustes või tehase teeninduskeskustes. Alati tuleb kasutada Makita varuosi.

## VALIKULISED TARVIKUD

**⚠️ ETTEVAATUST:** Neid tarvikuid ja lisaseadiseid on soovitatav kasutada koos Makita tööriistaga, mille kasutamist selles kasutusjuhendis kirjeldatakse. Muude tarvikute ja lisaseadiste kasutamisega kaasneb vigastada saamise oht. Kasutage tarvikuid ja lisaseadiseid ainult otstarbekohaselt.

Saate vajaduse korral kohalikust Makita teeninduskeskusest lisateavet nende tarvikute kohta.

- Puurid
- Kruvikeeraja otsakud
- Kruvikeeraja otsaku hoidik
- Konks
- Makita algupärane aku ja laadija

**MÄRKUS:** Mõned nimekirjas loetletud tarvikud võivad kuuluda standardvarustusse ning need on lisatud tööriista pakendisse. Need võivad riigiti erineda.

## ТЕХНИЧЕСКИЕ ХАРАКТЕРИСТИКИ

Модель:		DDF483		DDF083	
Максимальный диаметр сверления	Сталь	13 мм			
	Дерево	36 мм			
Усилие затяжки	Шуруп	6 мм x 75 мм			
	Мелкий крепежный винт	M6			
Число оборотов без нагрузки	Высокое (2)	0 - 1 700 мин <sup>-1</sup>			
	Низкое (1)	0 - 500 мин <sup>-1</sup>			
Общая длина		162 мм		124 мм	
Номинальное напряжение		18 В пост. тока			
Блок аккумулятора		BL1815N, BL1820, BL1820B	BL1830, BL1830B, BL1840, BL1840B, BL1850, BL1850B, BL1860B	BL1815N, BL1820, BL1820B	BL1830, BL1830B, BL1840, BL1840B, BL1850, BL1850B, BL1860B
Масса нетто		1,3 кг	1,5 кг	1,1 кг	1,3 кг

- Благодаря нашей постоянно действующей программе исследований и разработок указанные здесь технические характеристики могут быть изменены без предварительного уведомления.
- Технические характеристики и аккумуляторный блок могут отличаться в зависимости от страны.
- Масса (с аккумуляторным блоком) в соответствии с процедурой EPTA 01.2003

### Назначение

Инструмент предназначен для сверления и закручивания шурупов в дерево, металл и пластик.

### Шум

Типичный уровень взвешенного звукового давления (A), измеренный в соответствии с EN60745:

Уровень звукового давления ( $L_{pA}$ ): 77 дБ (A)

Погрешность (K): 3 дБ (A)

Уровень шума при выполнении работ может превышать 80 дБ (A).

**⚠ ОСТОРОЖНО:** Используйте средства защиты слуха.

### Вибрация

Суммарное значение вибрации (сумма векторов по трем осям), определенное в соответствии с EN60745:

Рабочий режим: сверление металла

Распространение вибрации ( $a_{h,D}$ ): 2,5 м/с<sup>2</sup> или менее

Погрешность (K): 1,5 м/с<sup>2</sup>

**ПРИМЕЧАНИЕ:** Заявленное значение распространения вибрации измерено в соответствии со стандартной методикой испытаний и может быть использовано для сравнения инструментов.

**ПРИМЕЧАНИЕ:** Заявленное значение распространения вибрации можно также использовать для предварительных оценок воздействия.

**⚠ ОСТОРОЖНО:** Распространение вибрации во время фактического использования электроинструмента может отличаться от заявленного значения в зависимости от способа применения инструмента.

**⚠ ОСТОРОЖНО:** Обязательно определите меры безопасности для защиты оператора, основанные на оценке воздействия в реальных условиях использования (с учетом всех этапов рабочего цикла, таких как выключение инструмента, работа без нагрузки и включение).

### Декларация о соответствии ЕС

*Только для европейских стран*

Декларация о соответствии ЕС включена в руководство по эксплуатации (Приложение А).

## МЕРЫ БЕЗОПАСНОСТИ

### Общие рекомендации по технике безопасности для электроинструментов

**⚠ ОСТОРОЖНО:** Ознакомьтесь со всеми инструкциями и рекомендациями по технике безопасности. Невыполнение инструкций и рекомендаций может привести к поражению электротоком, пожару и/или тяжелым травмам.

## Сохраните брошюру с инструкциями и рекомендациями для дальнейшего использования.

Термин "электроинструмент" в предупреждениях относится ко всему инструменту, работающему от сети (с проводом) или на аккумуляторах (без провода).

### Меры безопасности при использовании аккумуляторной дрели-шурупверта

1. Используйте дополнительную ручку (если входит в комплект инструмента). Утрата контроля над инструментом может привести к травме.
2. Если при выполнении работ существует риск контакта режущего инструмента со скрытой электропроводкой, держите электроинструмент за специально предназначенные изолированные поверхности. Контакт с проводом под напряжением приведет к тому, что металлические детали инструмента также будут под напряжением, что приведет к поражению оператора электрическим током.
3. Если при выполнении работ существует риск контакта инструмента со скрытой электропроводкой, держите электроинструмент за специально предназначенные изолированные поверхности. Контакт с проводом под напряжением приведет к тому, что металлические детали инструмента также будут под напряжением, что приведет к поражению оператора электрическим током.
4. При выполнении работ всегда занимайте устойчивое положение. При использовании инструмента на высоте убедитесь в отсутствии людей внизу.
5. Крепко держите инструмент.
6. Руки должны находиться на расстоянии от вращающихся деталей.
7. Не оставляйте работающий инструмент без присмотра. Включайте инструмент только тогда, когда он находится в руках.
8. Сразу после окончания работ не прикасайтесь к головке сверла или детали. Они могут быть очень горячими, что приведет к ожогам кожи.
9. Некоторые материалы могут содержать токсичные химические вещества. Примите соответствующие меры предосторожности, чтобы избежать вдыхания или контакта с кожей таких веществ. Соблюдайте требования, указанные в паспорте безопасности материала.

## СОХРАНИТЕ ДАННЫЕ ИНСТРУКЦИИ.

**▲ ОСТОРОЖНО: НЕ ДОПУСКАЙТЕ**, чтобы удобство или опыт эксплуатации данного устройства (полученный от многократного использования) доминировали над строгим соблюдением правил техники безопасности при обращении с этим устройством. **НЕПРАВИЛЬНОЕ ИСПОЛЬЗОВАНИЕ** инструмента или несоблюдение правил техники безопасности, указанных в данном руководстве, может привести к тяжелой травме.

## Важные правила техники безопасности для работы с аккумуляторным блоком

1. Перед использованием аккумуляторного блока прочитайте все инструкции и предупреждающие надписи на (1) зарядном устройстве, (2) аккумуляторном блоке и (3) инструменте, работающем от аккумуляторного блока.
2. Не разбирайте аккумуляторный блок.
3. Если время работы аккумуляторного блока значительно сократилось, немедленно прекратите работу. В противном случае, может возникнуть перегрев блока, что приведет к ожогам и даже к взрыву.
4. В случае попадания электролита в глаза промойте их обильным количеством чистой воды и немедленно обратитесь к врачу. Это может привести к потере зрения.
5. Не замыкайте контакты аккумуляторного блока между собой:
  - (1) Не прикасайтесь к контактам какими-либо токопроводящими предметами.
  - (2) Не храните аккумуляторный блок в контейнере вместе с другими металлическими предметами, такими как гвозди, монеты и т. п.
  - (3) Не допускайте попадания на аккумуляторный блок воды или дождя.Замыкание контактов аккумуляторного блока между собой может привести к возникновению большого тока, перегреву, возможным ожогам и даже поломке блока.
6. Не храните инструмент и аккумуляторный блок в местах, где температура может достигать или превышать 50 °C (122 °F).
7. Не бросайте аккумуляторный блок в огонь, даже если он сильно поврежден или полностью вышел из строя. Аккумуляторный блок может взорваться под действием огня.
8. Не роняйте и не ударяйте аккумуляторный блок.
9. Не используйте поврежденный аккумуляторный блок.
10. Входящие в комплект литий-ионные аккумуляторы должны эксплуатироваться в соответствии с требованиями законодательства об опасных товарах. При коммерческой транспортировке, например, третьей стороной или инспектором, необходимо нанести на упаковку специальные предупреждения и маркировку. В процессе подготовки устройства к отправке обязательно проконсультируйтесь со специалистом по опасным материалам. Также соблюдайте местные требования и нормы. Они могут быть строже. Закройте или закрепите разомкнутые контакты и упакуйте аккумулятор так, чтобы он не перемещался по упаковке.
11. Выполняйте требования местного законодательства относительно утилизации аккумуляторного блока.

## СОХРАНИТЕ ДАННЫЕ ИНСТРУКЦИИ.



**ВНИМАНИЕ:** Используйте только фирменные аккумуляторные батареи Makita. Использование аккумуляторных батарей, не произведенных Makita, или батарей, которые были подвергнуты модификациям, может привести к взрыву аккумулятора, пожару, травмам и повреждению имущества. Это также автоматически аннулирует гарантию Makita на инструмент и зарядное устройство Makita.

## Советы по обеспечению максимального срока службы аккумулятора

1. Заряжайте блок аккумуляторов перед его полной разрядкой. Обязательно прекратите работу с инструментом и зарядите блок аккумуляторов, если вы заметили снижение мощности инструмента.
2. Никогда не подзаряжайте полностью заряженный блок аккумуляторов. Перезарядка сокращает срок службы аккумулятора.
3. Заряжайте блок аккумуляторов при комнатной температуре в 10 - 40 °C (50 - 104 °F). Перед зарядкой горячего блока аккумуляторов дайте ему остыть.
4. Зарядите ионно-литиевый аккумуляторный блок, если вы не будете пользоваться инструментом длительное время (более шести месяцев).

## ОПИСАНИЕ РАБОТЫ

**ВНИМАНИЕ:** Перед регулировкой или проверкой функций инструмента обязательно убедитесь, что он выключен и его аккумуляторный блок снят.

## Установка или снятие блока аккумуляторов

**ВНИМАНИЕ:** Обязательно выключайте инструмент перед установкой и извлечением аккумуляторного блока.

**ВНИМАНИЕ:** При установке и извлечении аккумуляторного блока крепко удерживайте инструмент и аккумуляторный блок. Если не соблюдать это требование, они могут выскользнуть из рук, что приведет к повреждению инструмента, аккумуляторного блока и травмированию оператора.

► **Рис.1:** 1. Красный индикатор 2. Кнопка 3. Блок аккумулятора

Для снятия аккумуляторного блока нажмите кнопку на лицевой стороне и извлеките блок.

Для установки аккумуляторного блока совместите выступ аккумуляторного блока с пазом в корпусе и задвиньте его на место. Устанавливайте блок до упора так, чтобы он зафиксировался на месте с небольшим щелчком. Если вы можете видеть красный индикатор на верхней части клавиши, адаптер аккумулятора не полностью установлен на месте.

**ВНИМАНИЕ:** Обязательно устанавливайте аккумуляторный блок до конца, чтобы красный индикатор не был виден. В противном случае аккумуляторный блок может выскочить из инструмента и нанести травму вам или другим людям.

**ВНИМАНИЕ:** Не прилагайте чрезмерных усилий при установке аккумуляторного блока. Если блок не движется свободно, значит он вставлен неправильно.

## Индикация оставшегося заряда аккумулятора

Только для аккумуляторных блоков, номер модели которых заканчивается на "B"

► **Рис.2:** 1. Индикаторы 2. Кнопка проверки

Нажмите кнопку проверки на аккумуляторном блоке для проверки заряда. Индикаторы загорятся на несколько секунд.

Индикаторы		Уровень заряда
Горит	Выкл.	
■ ■ ■ ■	□	от 75 до 100%
■ ■ ■ □	□	от 50 до 75%
■ ■ □ □	□ □	от 25 до 50%
■ □ □ □	□ □ □ □	от 0 до 25%

**ПРИМЕЧАНИЕ:** В зависимости от условий эксплуатации и температуры окружающего воздуха индикация может незначительно отличаться от фактического значения.

## Система защиты инструмента/аккумулятора

На инструменте предусмотрена система защиты инструмента/аккумулятора. Она автоматически отключает питание двигателя для продления срока службы инструмента и аккумулятора. Инструмент автоматически остановится во время работы в следующих случаях:

### Защита от перегрузки

Если из-за способа эксплуатации инструмент/аккумулятор потребляет очень большое количество тока, он автоматически остановится без включения каких-либо индикаторов. В этом случае выключите инструмент и прекратите работу, повлекшую перегрузку инструмента. Затем включите инструмент для перезапуска.

### Защита от перегрева

При перегреве инструмента/аккумулятора инструмент останавливается автоматически. В этом случае дайте инструменту/аккумулятору остыть перед повторным включением.



## Защита от перегрузки

При истощении емкости аккумулятора инструмент автоматически останавливается. В этом случае извлеките аккумулятор из инструмента и зарядите его.

**ПРИМЕЧАНИЕ:** Защита от перегрева (для аккумулятора) будет срабатывать только на аккумуляторах с маркировкой в виде звездочки.

► Рис.3: 1. Звездочка

## Действие выключателя

► Рис.4: 1. Триггерный переключатель

**ВНИМАНИЕ:** Перед установкой аккумуляторного блока в инструмент обязательно убедитесь, что его триггерный переключатель нормально работает и возвращается в положение "OFF" (ВЫКЛ) при отпуске.

Для запуска инструмента просто нажмите на триггерный переключатель. Для увеличения числа оборотов нажмите триггерный переключатель сильнее. Отпустите триггерный переключатель для остановки.

**ПРИМЕЧАНИЕ:** Инструмент автоматически остановится, если удерживать триггерный переключатель нажатым примерно 6 минут.

## Включение передней лампы

► Рис.5: 1. Лампа

**ВНИМАНИЕ:** Не смотрите непосредственно на свет или источник света.

Лампа продолжает гореть, пока нажат триггерный переключатель. Лампа будет светиться до тех пор, пока нажат триггерный переключатель. Лампа гаснет примерно через 10 секунд после отпущения триггерного переключателя.

**ПРИМЕЧАНИЕ:** При перегреве инструмент автоматически останавливается, лампа начинает мигать. В этом случае отпустите триггерный переключатель. Лампа погаснет через одну минуту.

**ПРИМЕЧАНИЕ:** Для удаления пыли с линзы лампы используйте сухую ткань. Не допускайте возникновения царапин на линзе лампы, так как это приведет к снижению освещенности.

## Действие реверсивного переключателя

► Рис.6: 1. Рычаг реверсивного переключателя

**ВНИМАНИЕ:** Перед работой всегда проверьте направление вращения.

**ВНИМАНИЕ:** Используйте реверсивный переключатель только после полной остановки инструмента. Изменение направления вращения до полной остановки инструмента может привести к его повреждению.

**ВНИМАНИЕ:** Если инструмент не используется, обязательно переведите рычаг реверсивного переключателя в нейтральное положение.

Этот инструмент оборудован реверсивным переключателем для изменения направления вращения. Нажмите на рычаг реверсивного переключателя со стороны А для вращения по часовой стрелке или со стороны В для вращения против часовой стрелки. Когда рычаг реверсивного переключателя находится в нейтральном положении, триггерный переключатель нажать нельзя.

## Изменение скорости

► Рис.7: 1. Рычаг изменения скорости

**ВНИМАНИЕ:** Всегда устанавливайте рычаг изменения скорости в правильное положение до конца. Если Вы работаете с инструментом, а рычаг изменения скорости находится посередине между обозначениями "1" и "2", это может привести к повреждению инструмента.

**ВНИМАНИЕ:** Не используйте рычаг переключения скорости при работающем инструменте. Это может привести к повреждению инструмента.


Отображаемая цифра	Скорость	Крутящий момент	Допустимые работы
1	Низкая	Высокая	Работа с высокой нагрузкой
2	Высокая	Низкая	Работа с малой нагрузкой


Для изменения скорости работы сначала выключите инструмент. Переведите рычаг изменения скорости в положение "2" для высоких оборотов или положение "1" для низких оборотов с высоким крутящим моментом. Перед началом работ убедитесь, что рычаг переключения скорости находится в правильном положении.

Если скорость работы инструмента значительно снизилась во время использования в режиме "2", переведите рычаг в положение "1" и продолжите работу.

## Регулировка крутящего момента затяжки

- **Рис.8:** 1. Регулировочное кольцо 2. Градуировка  
3. Стрелка

Крутящий момент затяжки настраивается поворотом регулировочного кольца (предусмотрено 21 положения). Совместите градуировку со стрелкой на корпусе инструмента. Минимальному крутящему моменту затяжки соответствует положение 1, а максимальному – отметка .

Муфта будет проскальзывать при различных уровнях крутящего момента, установленного на значение от 1 до 20. Муфта не работает при выборе отметки .

Перед выполнением работы закрутите пробный болт в ваш материал или деталь из такого материала для определения необходимого крутящего момента для данного конкретного применения.

Ниже приводятся ориентировочные данные о зависимости между размером шурупа и градуировкой.

Градуировка		1	2	3	4	5	6	7	8	9	10	11	12	13	14	15	16	17	18	19	20
Мелкий крепежный винт		M4				M5								M6							
Шуруп	Мягкое дерево (например, сосна)	–				φ3,5 x 22				φ4,1 x 38				–							
	Твердое дерево (например, диптерокарп)	–				φ3,5 x 22				φ4,1 x 38				–							

## СБОРКА

**▲ ВНИМАНИЕ:** Перед проведением каких-либо работ с инструментом обязательно убедитесь, что инструмент отключен, а блок аккумулятора снят.

### Установка или снятие насадки для отвертки или головки сверла

Для модели DDF483 (дополнительная принадлежность)

- **Рис.9:** 1. Муфта 2. Закрыть 3. Открыть

Поверните муфту против часовой стрелки для открытия кулачков зажимного патрона. Вставьте насадку для отвертки или головку сверла в зажимной патрон как можно глубже. Поверните муфту по часовой стрелке для затяжки патрона. Для снятия насадки/головки поверните муфту против часовой стрелки.

### Установка или снятие насадки для отвертки/гнездовой биты

Для модели DDF083 (дополнительная принадлежность)

- **Рис.10**

Используйте только насадки для отвертки или гнездовые биты с хвостовиком, указанным на рисунке. Не используйте насадки для отвертки или гнездовые биты других типов.

### Для инструмента с небольшим углублением под насадку

A=12 мм  
B=9 мм

Используйте только указанные типы насадки для отвертки. Выполните процедуру 1. (Примечание) Переходник не нужен.

### Для инструмента с большим углублением под насадку

A=17 мм  
B=14 мм

Для установки насадок данных типов выполните процедуру (1).

A=12 мм  
B=9 мм

Для установки насадок данных типов выполните процедуру (2). (Примечание) Для установки насадки необходим переходник.

1. Для установки насадки сдвиньте муфту по стрелке и вставьте насадку в муфту до упора. Затем отпустите муфту, чтобы зафиксировать насадку.

- **Рис.11:** 1. Насадка для отвертки 2. Муфта

2. Для установки насадки сдвиньте муфту по стрелке и вставьте переходник и насадку в муфту до упора. Переходник следует устанавливать в муфту заостренной стороной внутрь. Затем отпустите муфту, чтобы зафиксировать насадку.

- **Рис.12:** 1. Насадка для отвертки 2. Переходник 3. Муфта

Для снятия насадки потяните муфту в направлении, указанном стрелкой, и вытяните насадку.

**ПРИМЕЧАНИЕ:** Если не вставить насадку в муфту достаточно глубоко, муфта не вернется в первоначальное положение и насадка не будет закреплена. В таком случае попытайтесь повторно вставить насадку в соответствии с инструкциями выше.

**ПРИМЕЧАНИЕ:** После установки насадки для отвертки проверьте надежность ее фиксации. Если насадка выходит из держателя, не используйте ее.

## Установка крючка

► **Рис.13:** 1. Паз 2. Крючок 3. Винт

Крючок удобен для временного подвешивания инструмента. Он может быть установлен с любой стороны инструмента. Для установки крючка вставьте его в паз в корпусе инструмента с одной из сторон и закрепите при помощи винта. Чтобы снять крючок, необходимо сначала отвернуть винт.

## Порядок установки держателя насадок для отвертки

*Дополнительные принадлежности*

► **Рис.14:** 1. Держатель насадок для отвертки  
2. Насадка для отвертки

Установите держатель насадок в выступ на основании инструмента с правой или левой стороны и закрепите его при помощи винта.

Если насадки для отвертки не используются, храните их в специальных держателях. Здесь могут храниться насадки длиной до 45 мм.

## ЭКСПЛУАТАЦИЯ

**▲ВНИМАНИЕ:** Всегда устанавливайте блок аккумулятора до упора так, чтобы он зафиксировался на месте. Если вы можете видеть красный индикатор на верхней части клавиши, блок аккумулятора не полностью установлен на месте. Установите его до конца так, чтобы красный индикатор был не виден. В противном случае блок может выпасть из инструмента и нанести травму вам или другим людям.

**▲ВНИМАНИЕ:** В случае значительного снижения оборотов уменьшите нагрузку или остановите инструмент во избежание его повреждения.

Для управления выдвигаемым действием инструмента крепко держите его одной рукой за ручку, а другой - за нижнюю часть блока аккумуляторной батареи.

► **Рис.15**

## Работа в режиме шурупверта


**▲ВНИМАНИЕ:** Установите регулировочное кольцо на соответствующий уровень крутящего момента для вашей работы.

**▲ВНИМАНИЕ:** Следите за тем, чтобы насадка для отвертки вставлялась прямо в головку винта, иначе можно повредить винт и/или насадку.

Установите конец насадки в головку шурупа и надавите инструмент к шурупу. Включите инструмент на медленной скорости и затем постепенно увеличивайте ее. Отпустите триггерный переключатель, как только сработает сцепление.

**ПРИМЕЧАНИЕ:** При закручивании шурупов в дерево предварительно просверлите направляющее отверстие, диаметр которого равен 2/3 диаметра шурупа. Это облегчит закручивание шурупа и предотвратит возникновение трещин в детали.

## Сверление

Сначала поверните регулировочное кольцо, чтобы совместить указатель со стрелкой . Затем действуйте следующим образом.

## Сверление дерева

При сверлении дерева наилучшие результаты достигаются с применением сверл для дерева с направляющим винтом. Направляющий винт упрощает сверление, удерживая головку сверла в обрабатываемой детали.

## Сверление металла

Для предотвращения скольжения сверла при начале сверления сделайте углубление с помощью кернера и молотка в точке сверления. Вставьте острие головки сверла в углубление и начните сверление. При сверлении металлов пользуйтесь смазочно-охлаждающей жидкостью. Исключение составляют железо и латунь, которые надо сверлить насухо.

**▲ВНИМАНИЕ:** Чрезмерное нажатие на инструмент не ускорит сверление. На самом деле, чрезмерное давление только повредит наконечник головки сверла, снизит производительность инструмента и сократит срок его службы.

**▲ВНИМАНИЕ:** Крепко удерживайте инструмент и будьте осторожны, когда головка сверла начинает проходить сквозь обрабатываемую деталь. В момент выхода головки сверла из детали возникает огромное усилие на инструмент/сверло.


**▲ВНИМАНИЕ:** Заклинившая головка сверла может быть без проблем извлечена из обрабатываемой детали путем изменения направления вращения при помощи реверсивного переключателя. Однако если вы не будете крепко держать инструмент, он может резко сдвинуться назад.

**▲ВНИМАНИЕ:** Всегда закрепляйте обрабатываемые детали в тисках или аналогичном зажимном устройстве.

**▲ВНИМАНИЕ:** Если инструмент эксплуатировался непрерывно до разряда блока аккумулятора, сделайте перерыв на 15 минут перед началом работы с заряженным аккумулятором.

## Использование инструмента в качестве ручной отвертки

### ► Рис.16

Выключите инструмент. Переведите рычаг реверсивного переключателя в нейтральное положение. Поверните регулировочное кольцо, чтобы совместить указатель с отметкой . Поворачивайте инструмент.

**ПРИМЕЧАНИЕ:** Такое использование удобно для проверки затяжки шурупов.

**ПРИМЕЧАНИЕ:** Не используйте инструмент при работах, связанных с перегрузками (затягивание болтов или выкручивание заржавевших винтов).

## ОБСЛУЖИВАНИЕ

**▲ВНИМАНИЕ:** Перед проведением проверки или работ по техобслуживанию всегда проверяйте, что инструмент выключен, а блок аккумулятора снят.

**ПРИМЕЧАНИЕ:** Запрещается использовать бензин, растворители, спирт и другие подобные жидкости. Это может привести к обесцвечиванию, деформации и трещинам.

Для обеспечения БЕЗОПАСНОСТИ и НАДЕЖНОСТИ оборудования ремонт, любое другое техобслуживание или регулировку необходимо производить в уполномоченных сервис-центрах Makita или сервис-центрах предприятия с использованием только сменных частей производства Makita.

## ДОПОЛНИТЕЛЬНЫЕ ПРИНАДЛЕЖНОСТИ

**▲ВНИМАНИЕ:** Данные принадлежности или приспособления рекомендуются для использования с инструментом Makita, указанным в настоящем руководстве. Использование других принадлежностей или приспособлений может привести к получению травмы. Используйте принадлежность или приспособление только по указанному назначению.

Если вам необходимо содействие в получении дополнительной информации по этим принадлежностям, свяжитесь с вашим сервис-центром Makita.

- Головки сверл
- Насадки для отвертки
- Держатель насадок для отвертки
- Крючок
- Оригинальный аккумулятор и зарядное устройство Makita

**ПРИМЕЧАНИЕ:** Некоторые элементы списка могут входить в комплект инструмента в качестве стандартных приспособлений. Они могут отличаться в зависимости от страны.

Makita Europe N.V. Jan-Baptist Vinkstraat 2,  
3070 Kortenberg, Belgium

Makita Corporation 3-11-8, Sumiyoshi-cho,  
Anjo, Aichi 446-8502 Japan

[www.makita.com](http://www.makita.com)

885507-980  
EN, SV, NO, FI, LV,  
LT, ET, RU  
20160331