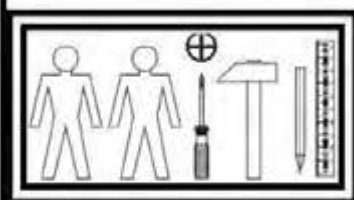
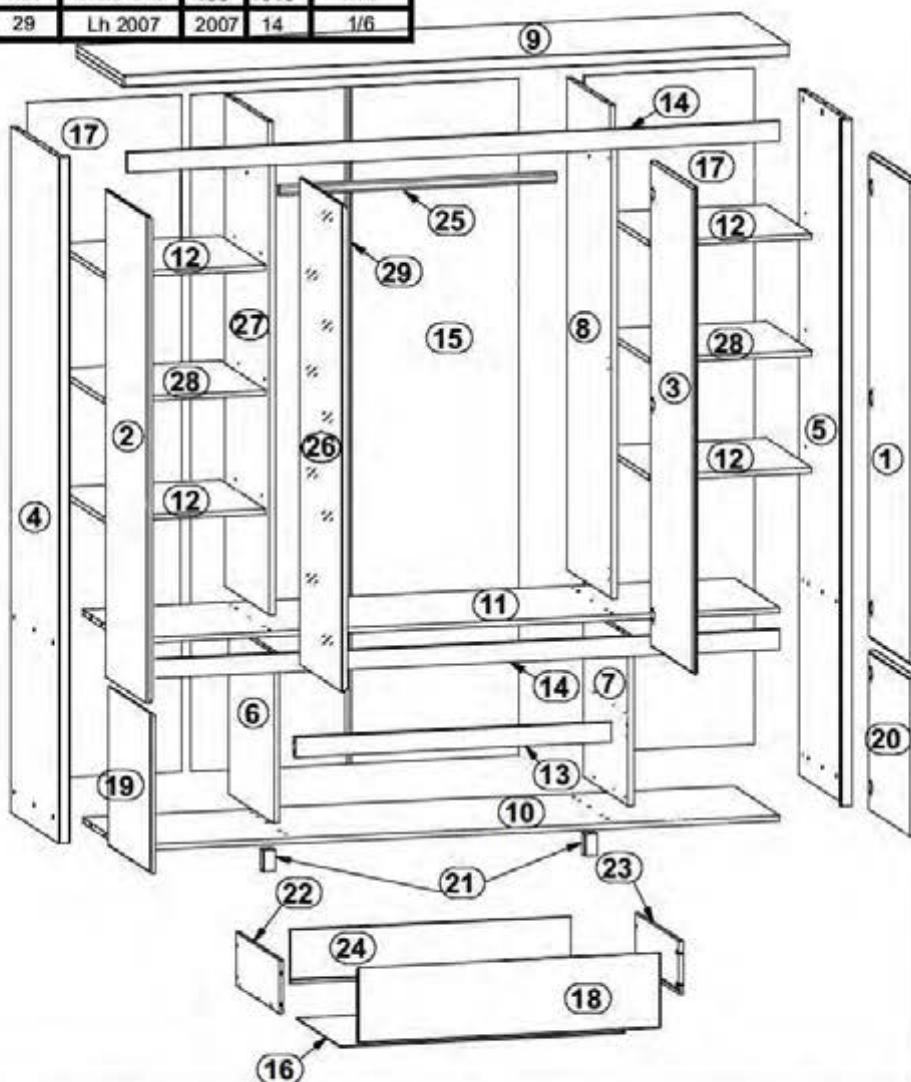
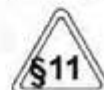


# KASPIAN

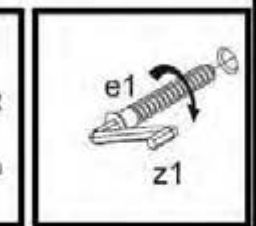
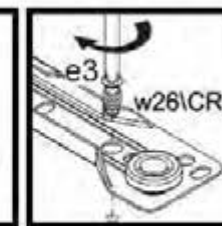
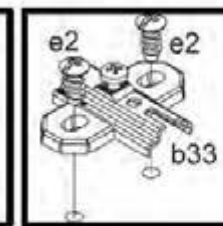
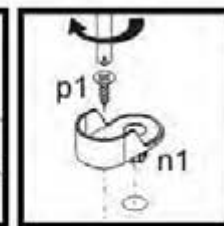
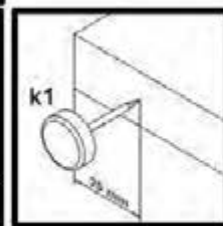
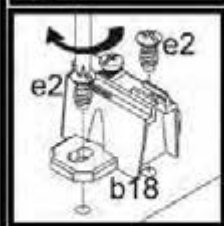
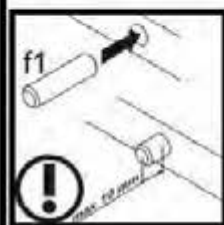
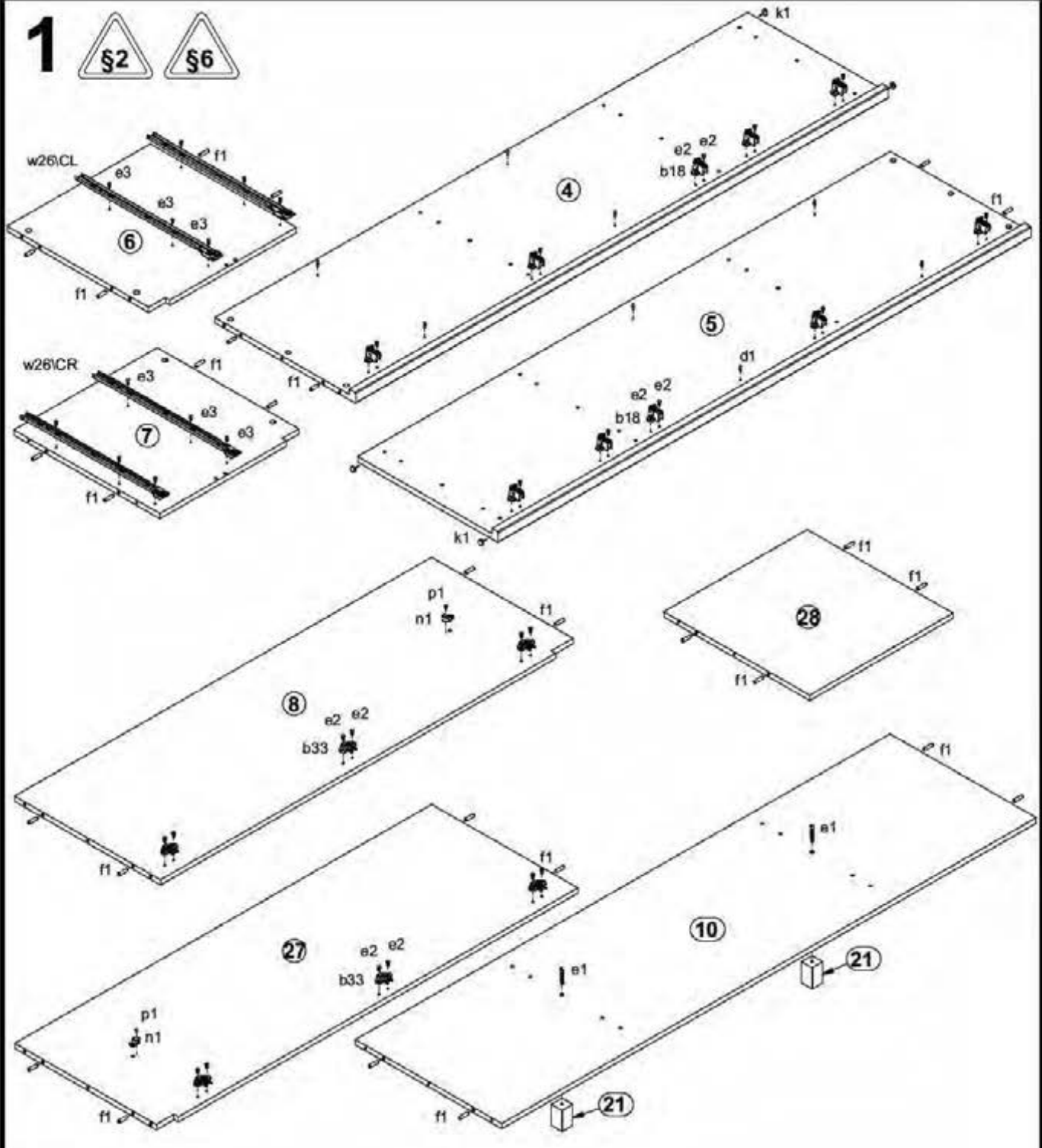
## S128-SZF6D2S

A	B	C	D	A	B	C	D		
1	S128 0011	1468	482	5/6	15	S128 940	2037	484	1/6
2	S128 0012	1468	482	5/6	16	S128 9941	906	498	3/6
3	S128 0013A	1468	482	6/6	17	S128 914	2037	521	1/6
4	S128 170	2066	546	1/6	18	S128 0040	967	227	4/6
5	S128 161	2066	546	1/6	19	S83 011	482	482	4/6
6	S128 164	510	519	3/6	20	S83 012	482	482	4/6
7	S128 165	510	519	3/6	21	ZN1 501	65	38	3/6
8	S128 163	1482	519	2/6	22	BP 505	500	160	3/6
9	S128 230	2018	549	1/6	23	BP 506	500	160	3/6
10	S128 340	1981	520	2/6	24	ZP 5510	896	160	3/6
11	S128 341	1981	520	2/6	25	dr 948	948	30	2/6
12	S128 312	498	518	3/6	26	S128 041A	1468	482	6/6
13	S128 470	953	60	3/6	27	S128 162	1482	519	2/6
14	S128 471	1981	60	2/6	28	S128 342	498	518	2/6
					29	Lh 2007	2007	14	1/6

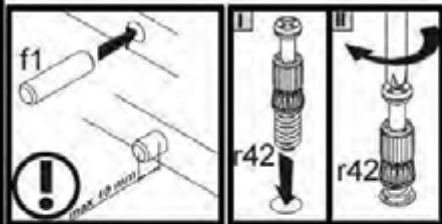
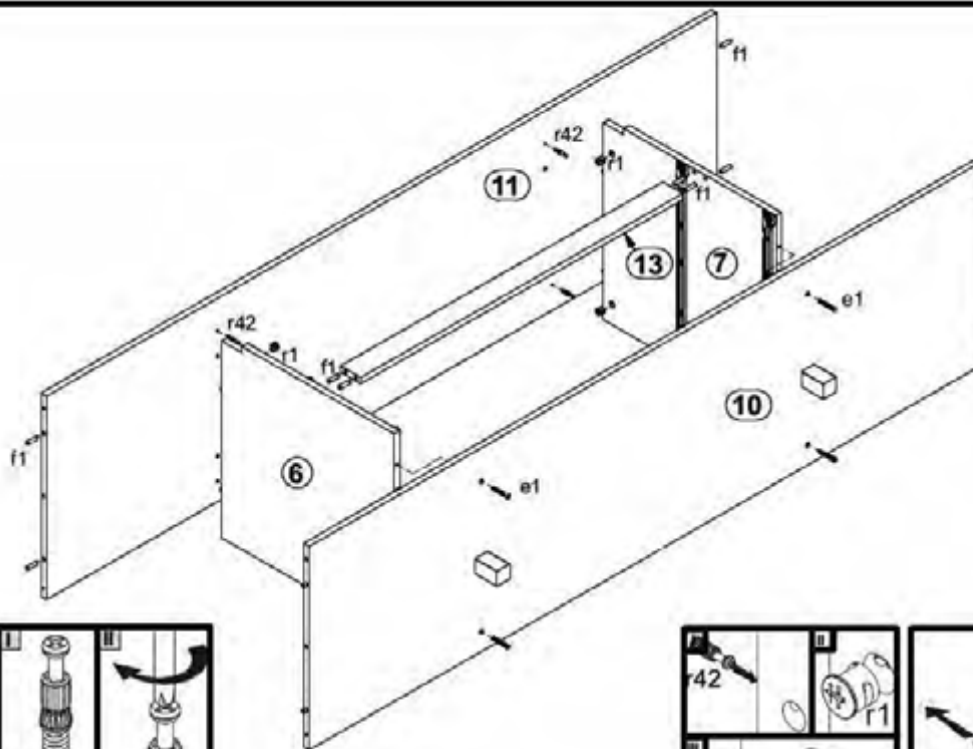


10x  a43	6x  a68	10x  b18	6x  b33	16x  d1	18x  e1	12x  e19	32x  e2	12x  e3
48x  f1	8x  f25	4x  k1	150  l1	2x  n1	2x  p1	32x  p51	42x  r1	42x  r42
2x  w26\ICL	2x  w26\ICR	2x  w26\IDL	2x  w26\IDR	12x  s1	24x  s2	1x  z1	1x  n26\I	1x  p38
2x  t17	12x  p1							

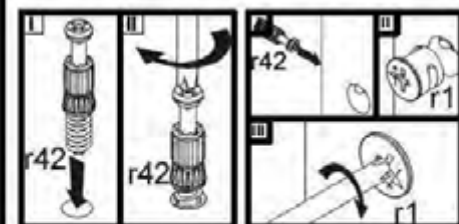
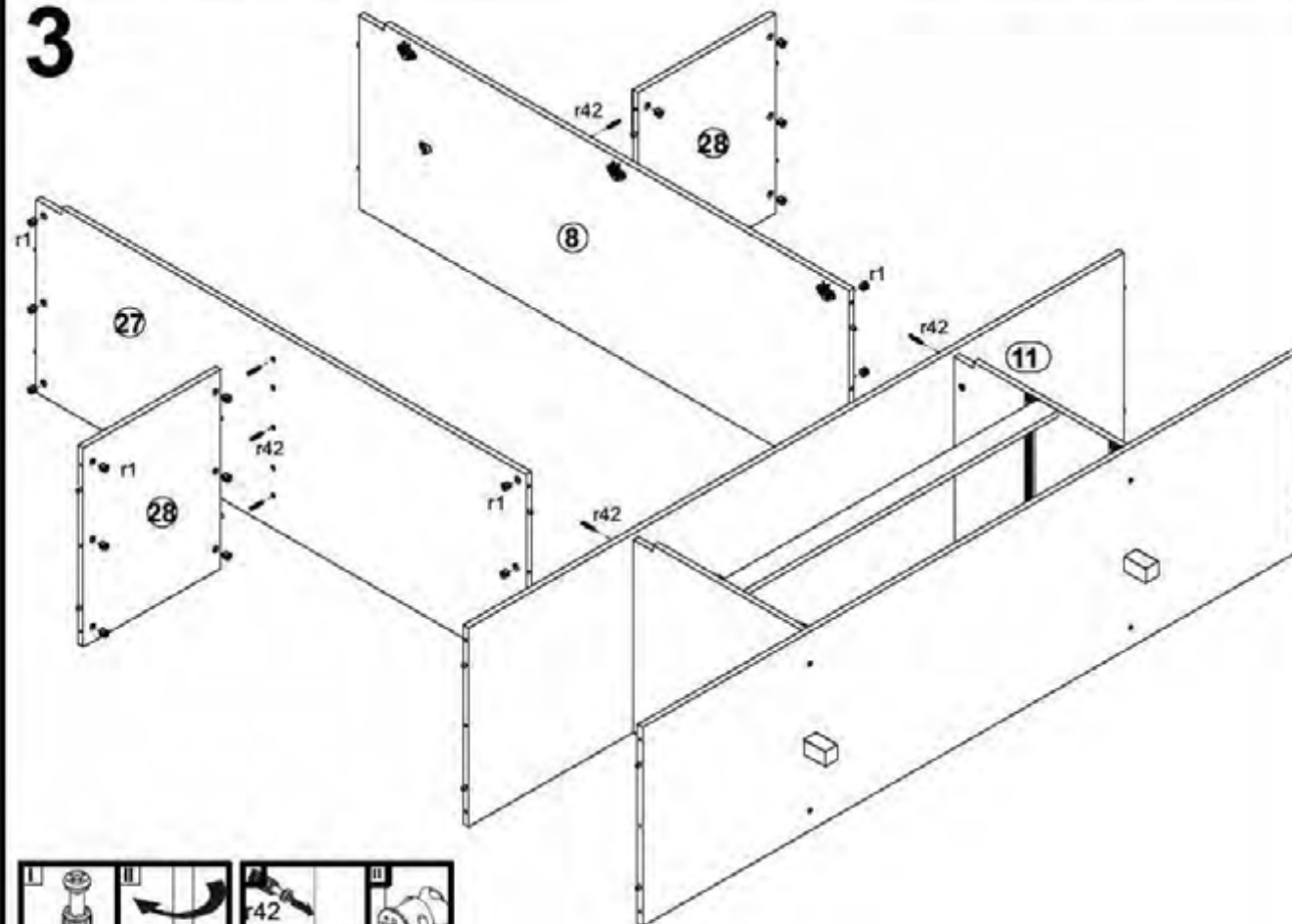
# 1



# 2

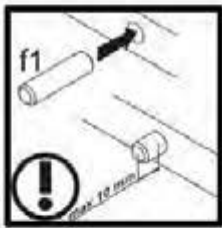
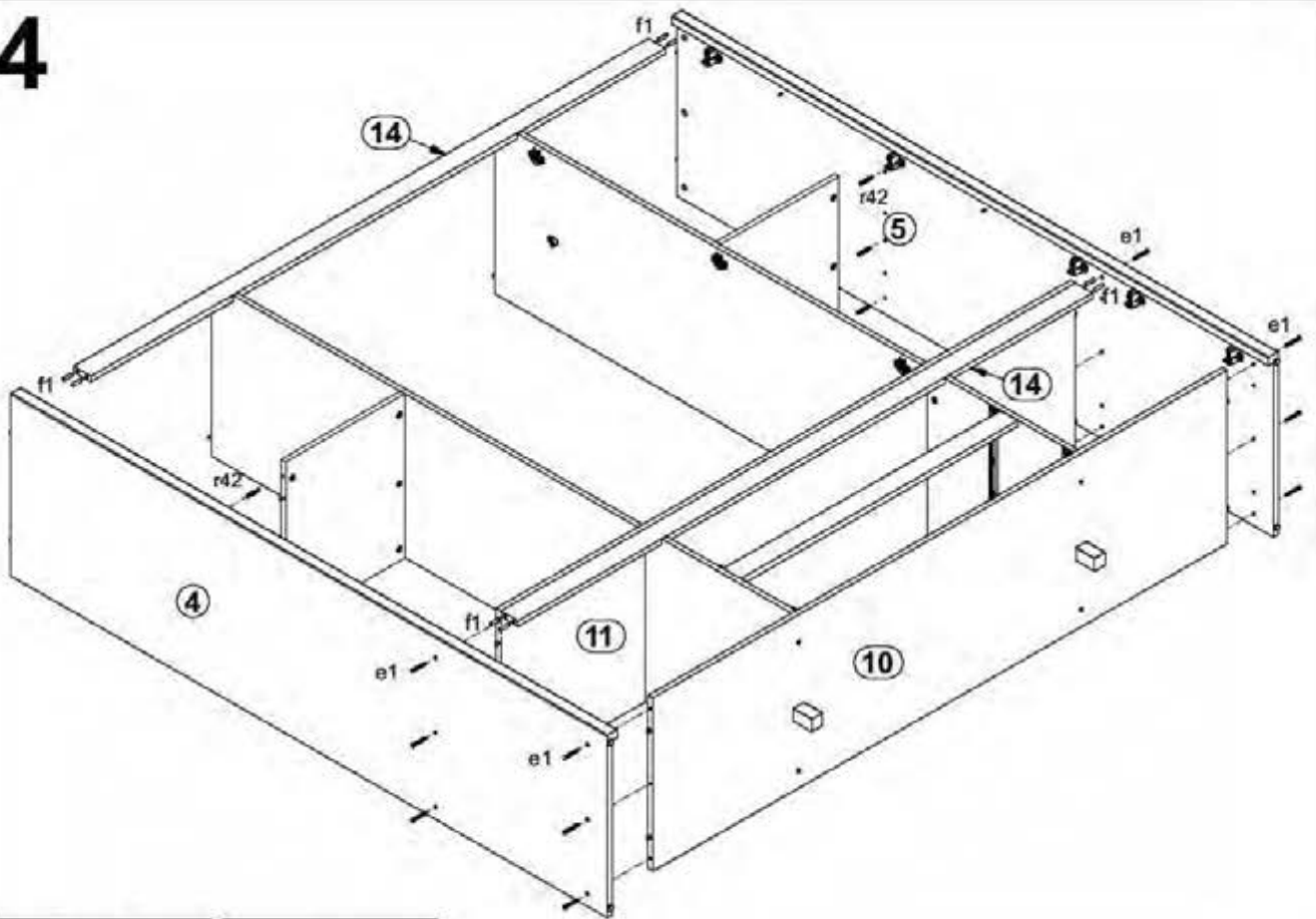


# 3

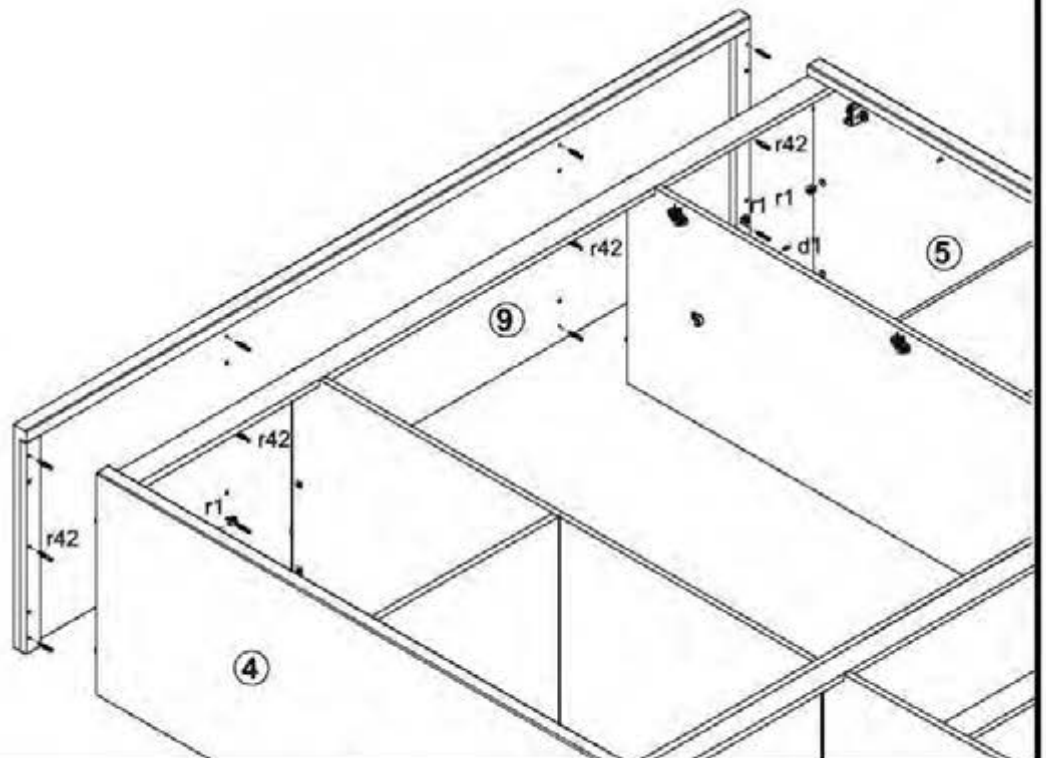




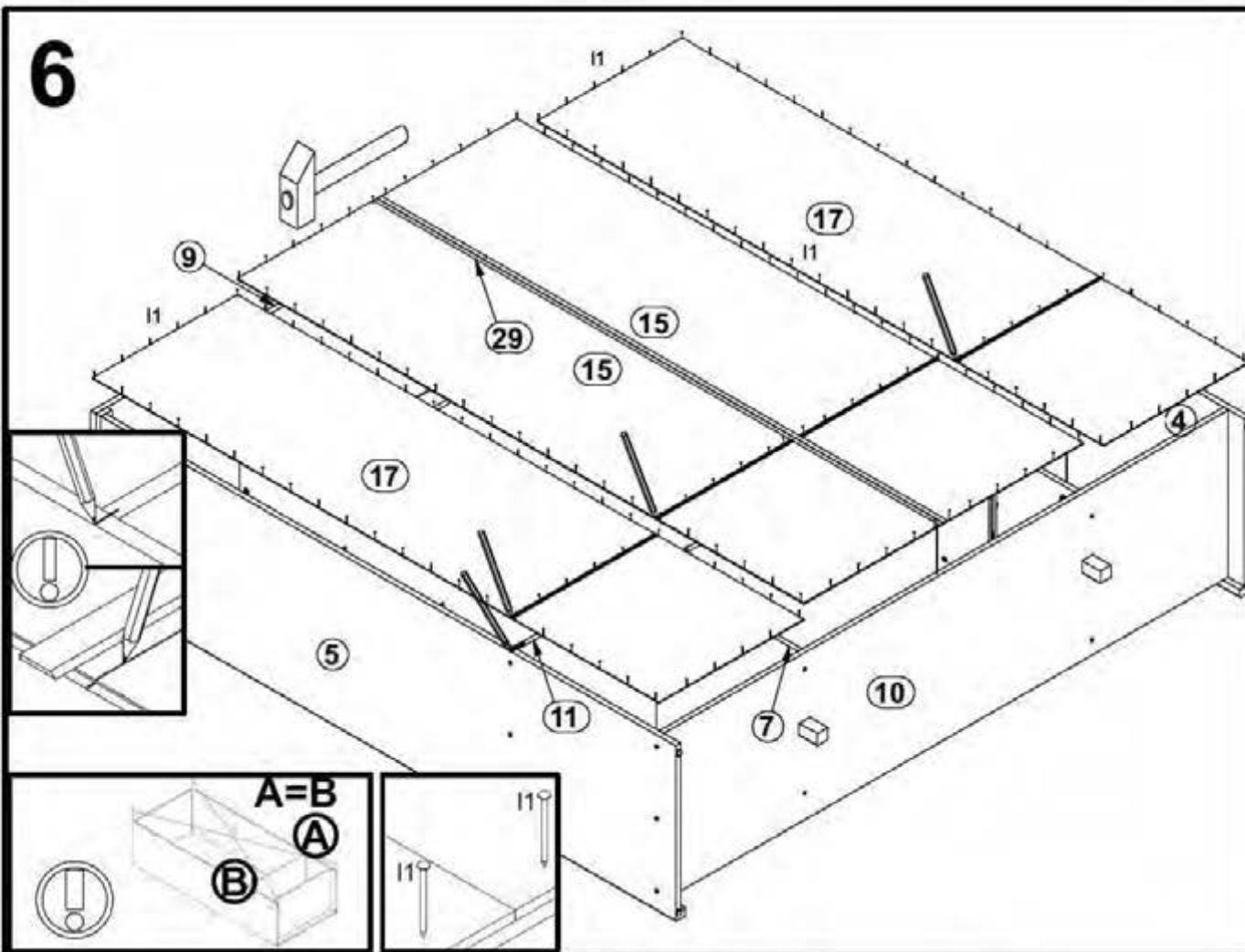
# 4



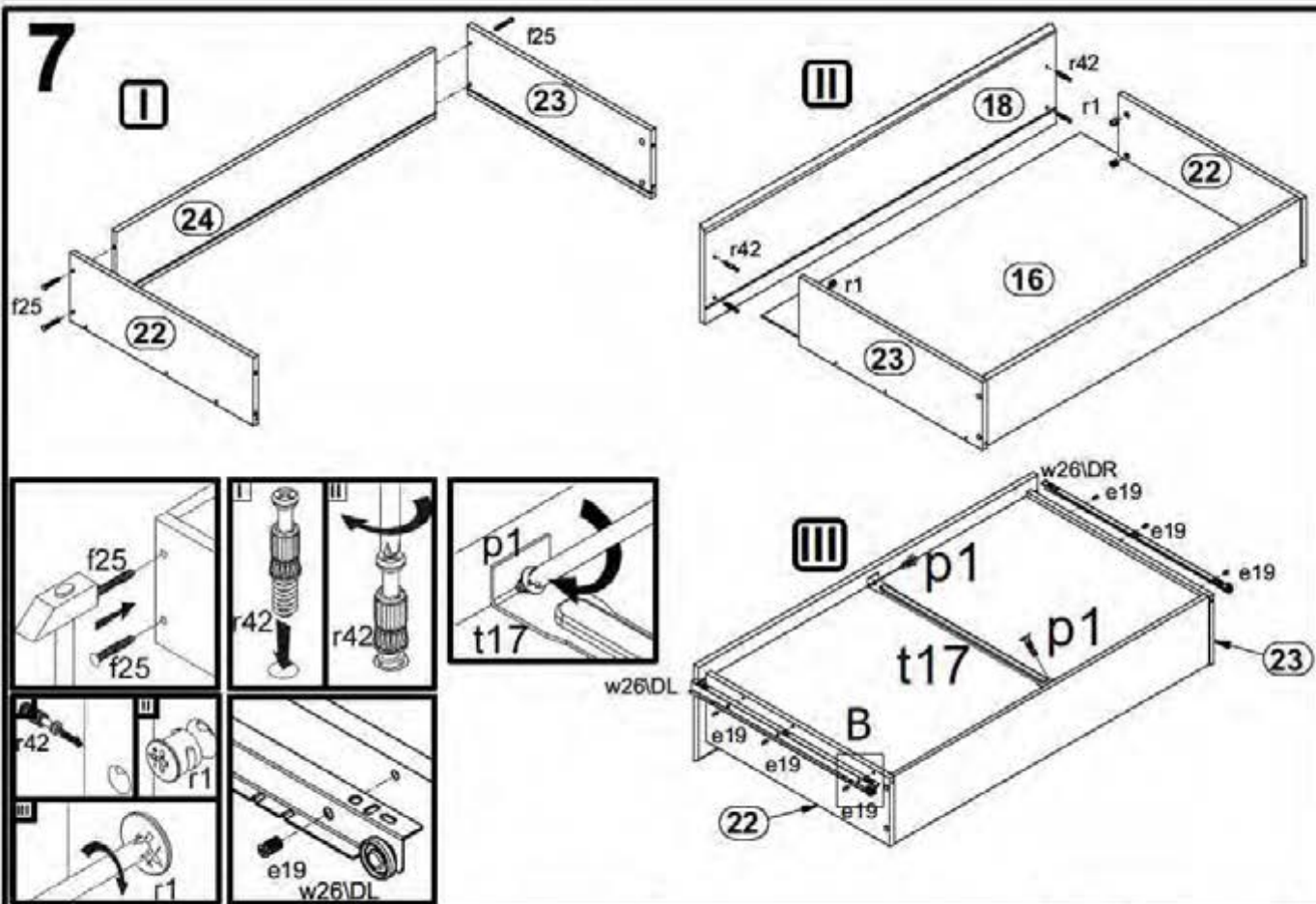
# 5



# 6



# 7



# 8

