
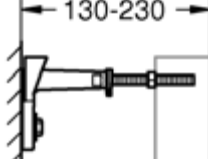
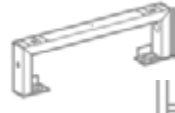


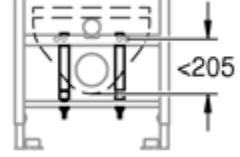

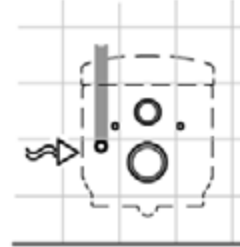


38 558



38 629



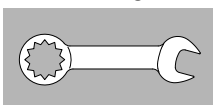
38 779



40 899



1 - 2



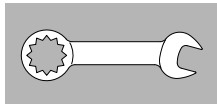
2 - 6



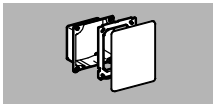
7 - 8



8 - 11

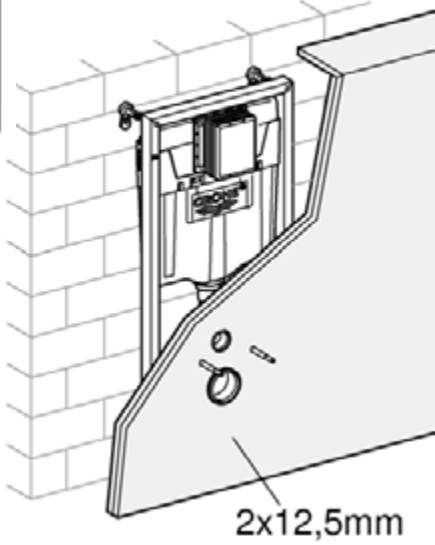


11

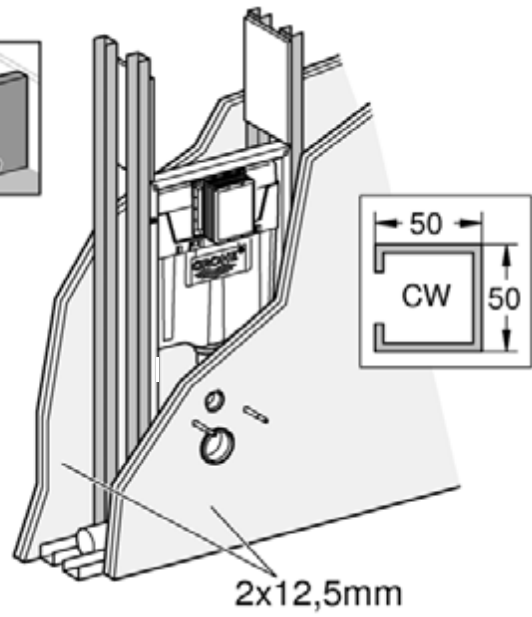
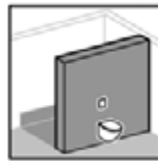




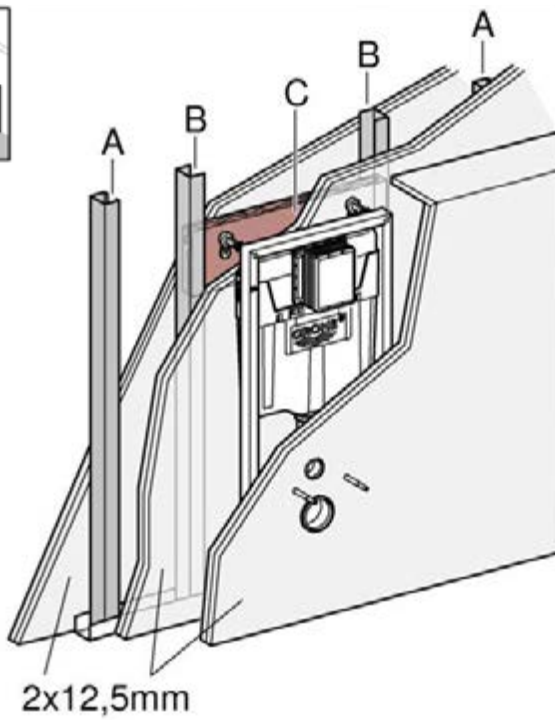
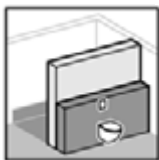
2 - 4



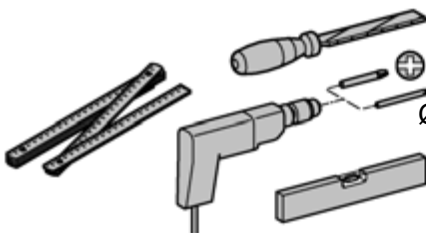
5 - 6



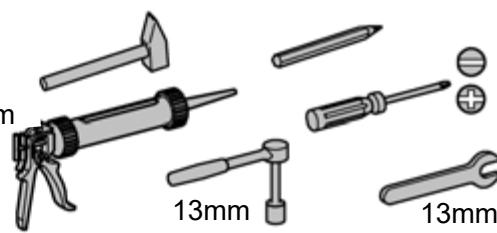
2 - 4



| A | B | C |
|-----------|---------|------------|
| | | |
| 50x50x0,6 | 50x40x2 | 300x620x24 |
| 75x50x0,6 | 75x40x2 | |



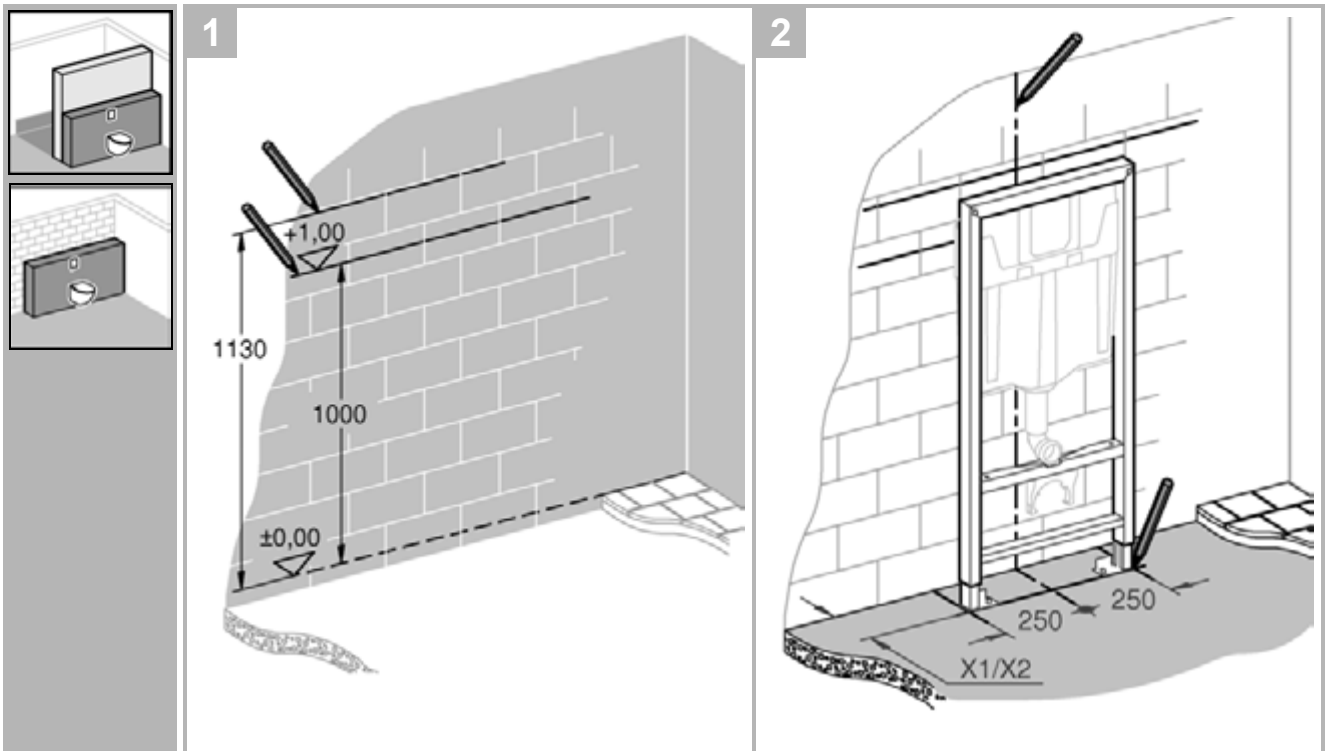
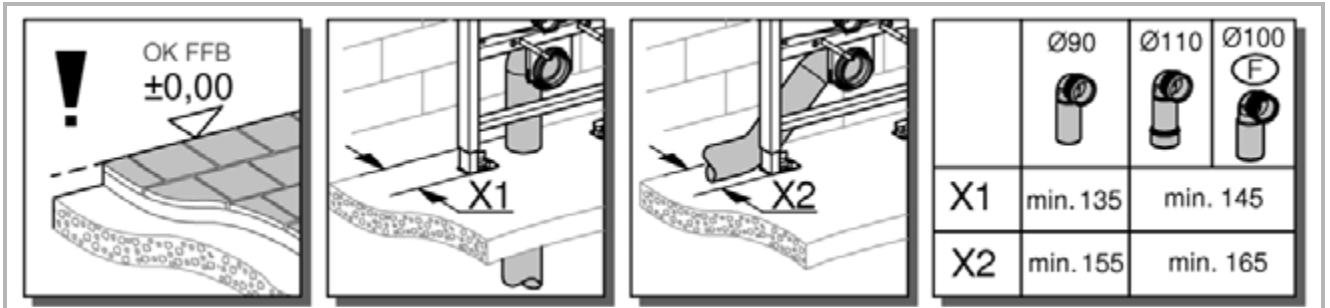
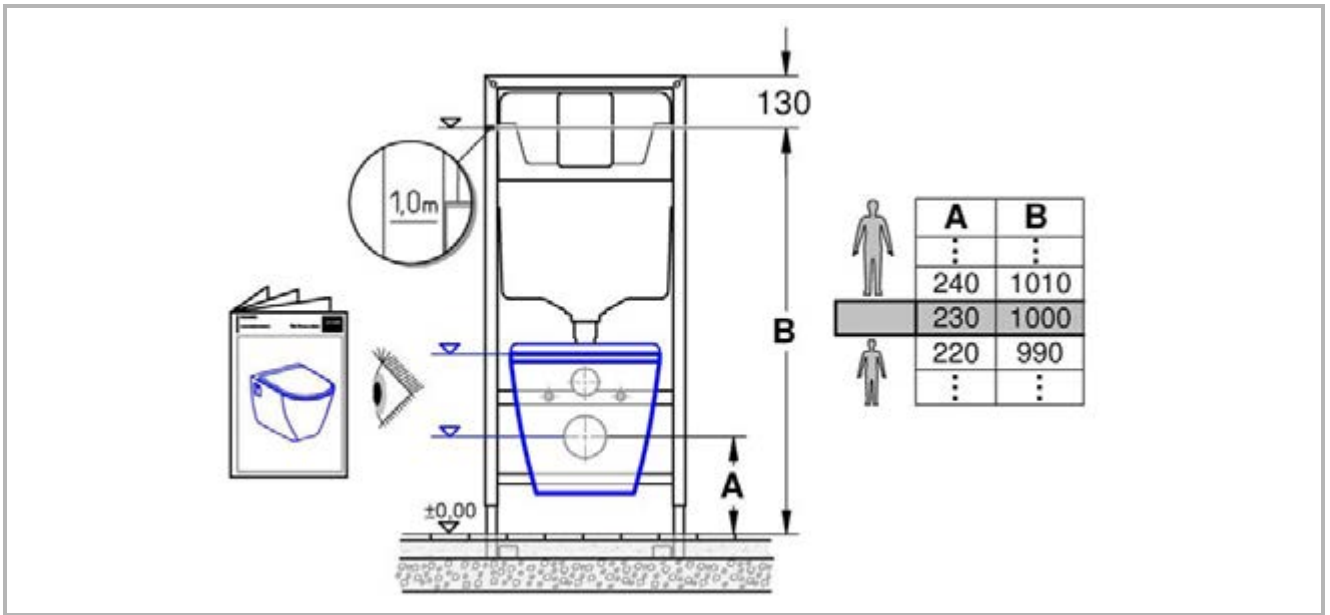
Ø10mm

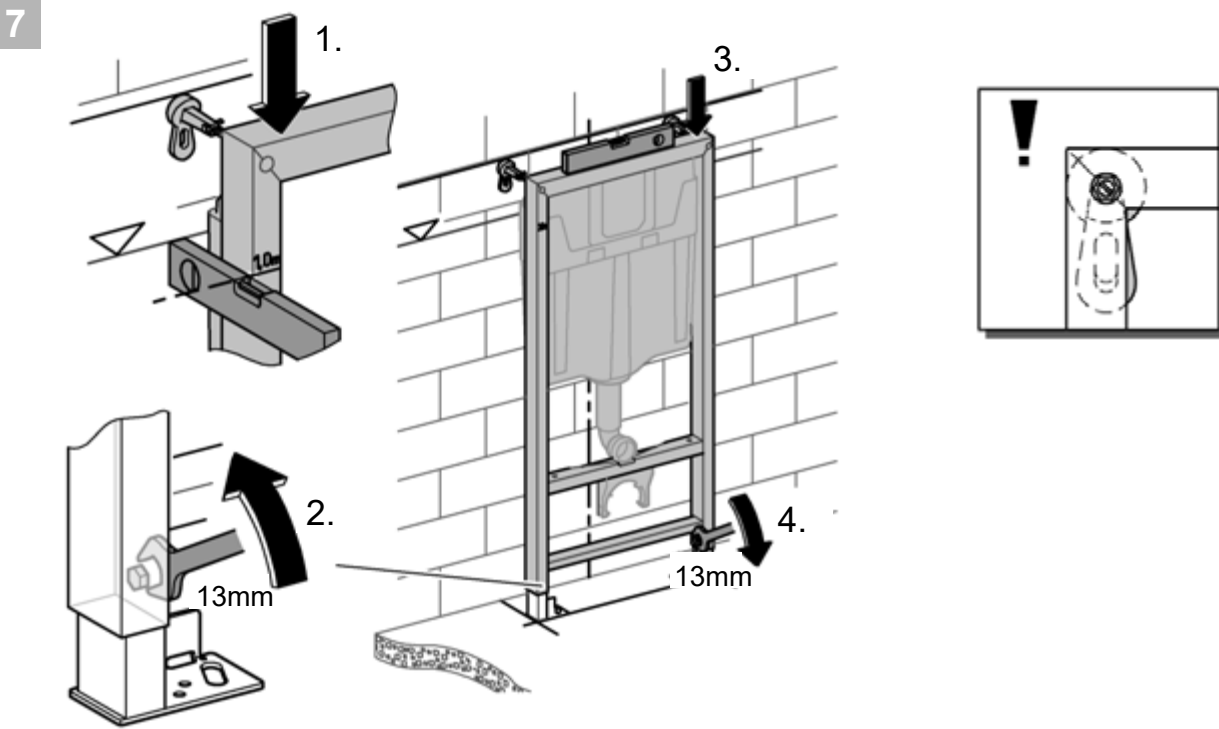
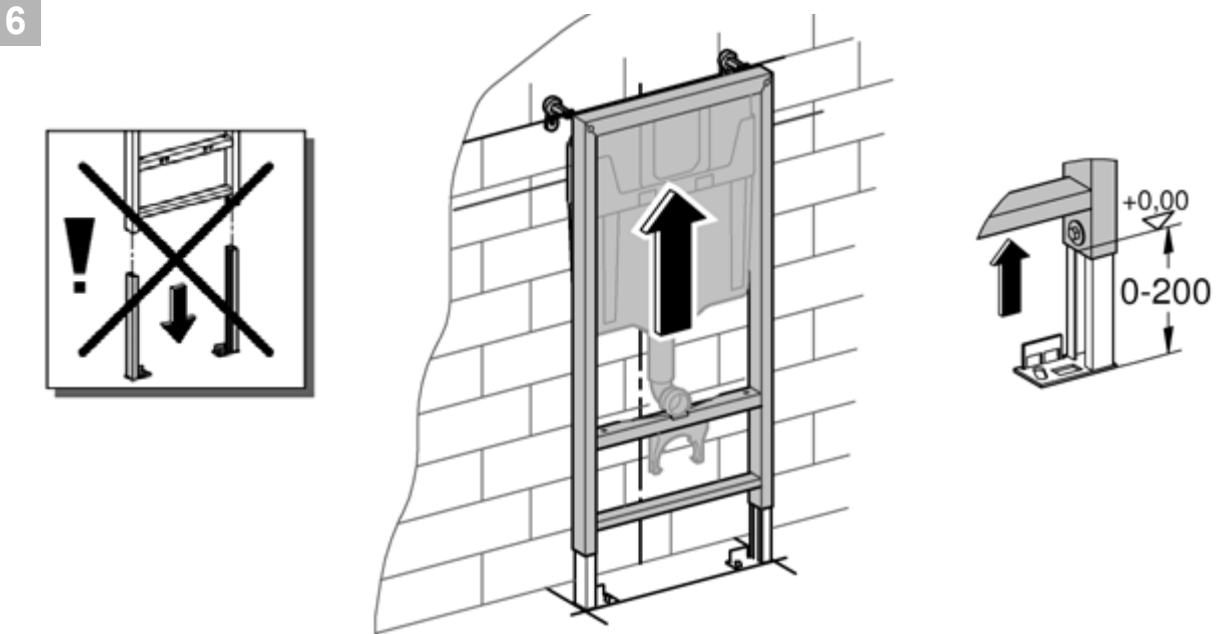
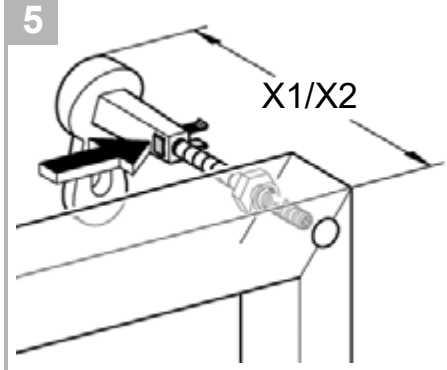
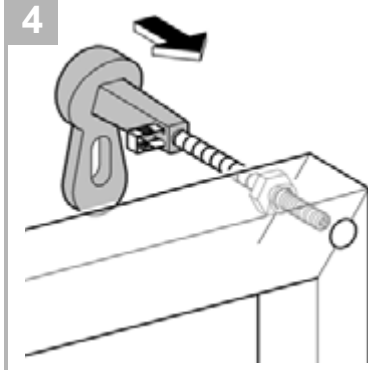
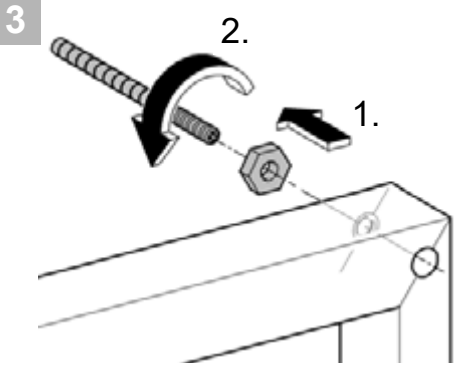


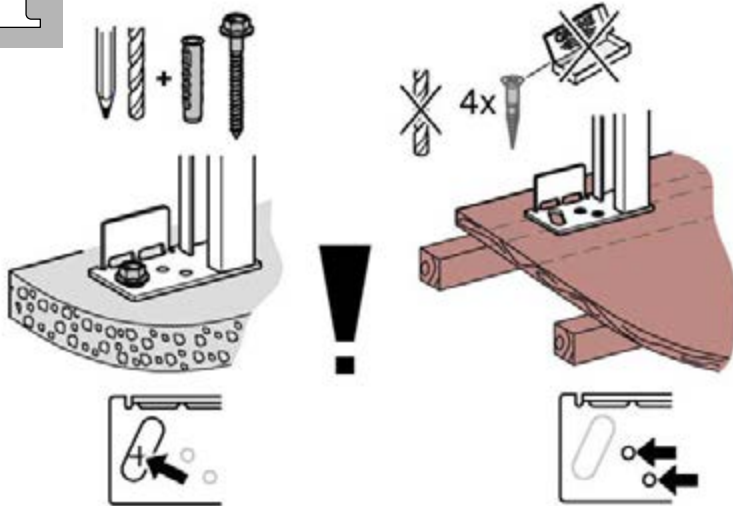
13mm

13mm

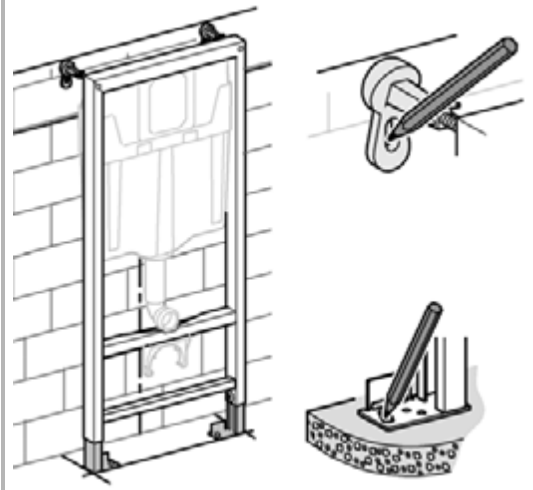




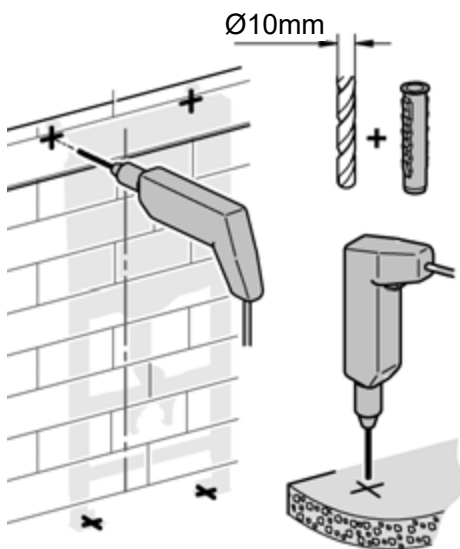




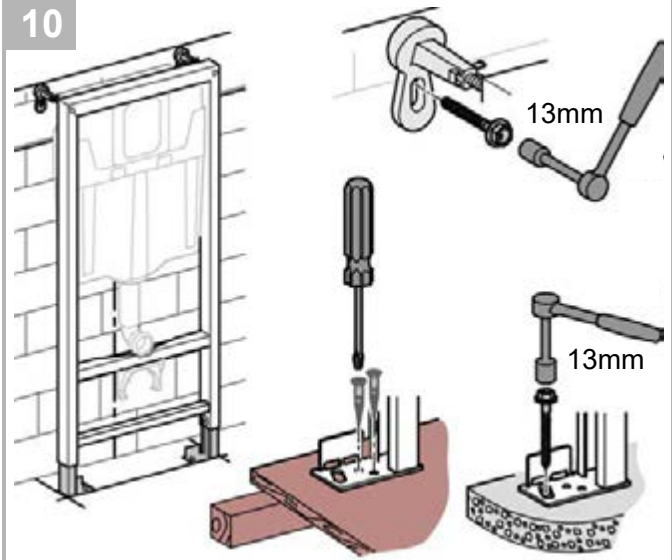
8



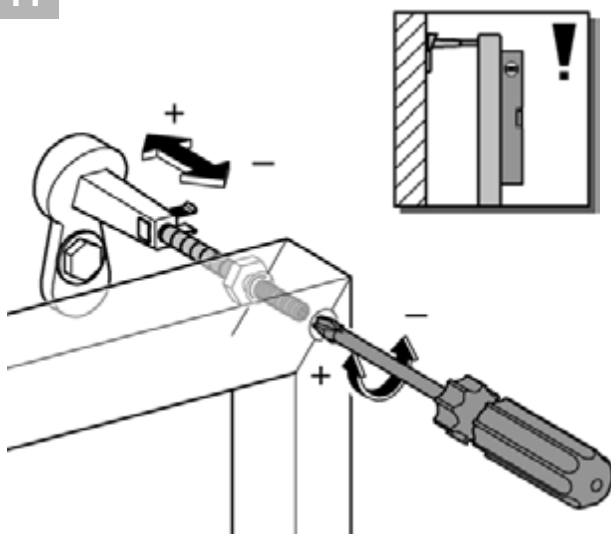
9



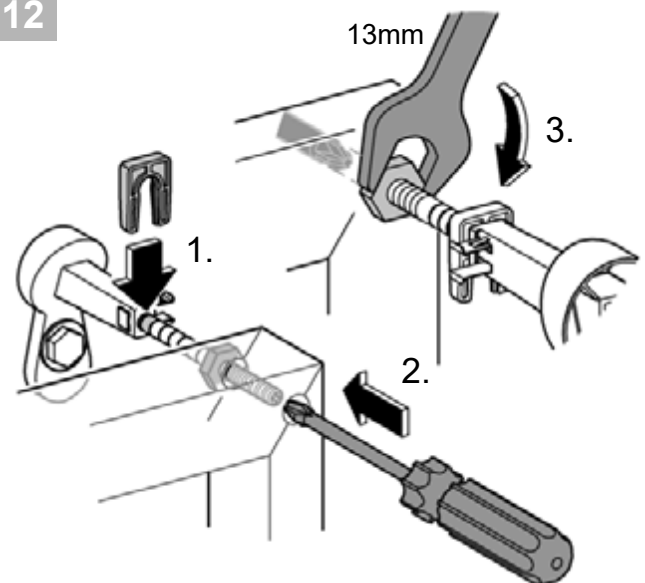
10

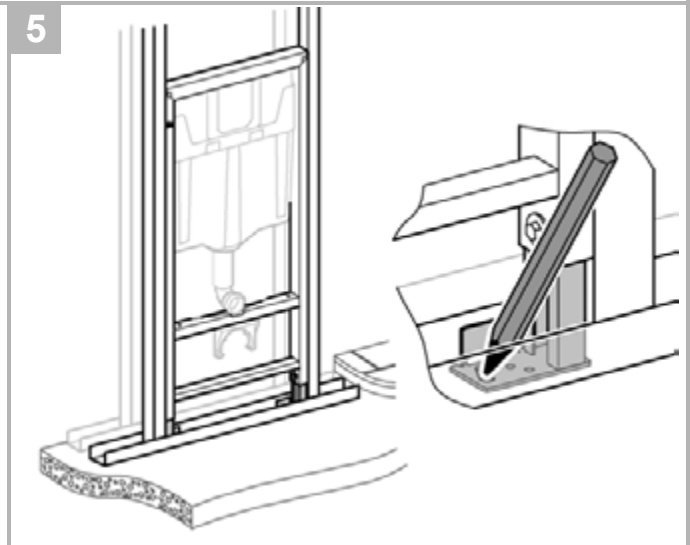
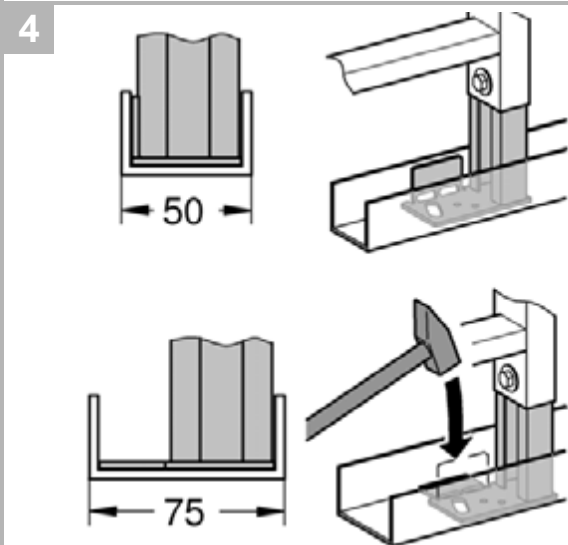
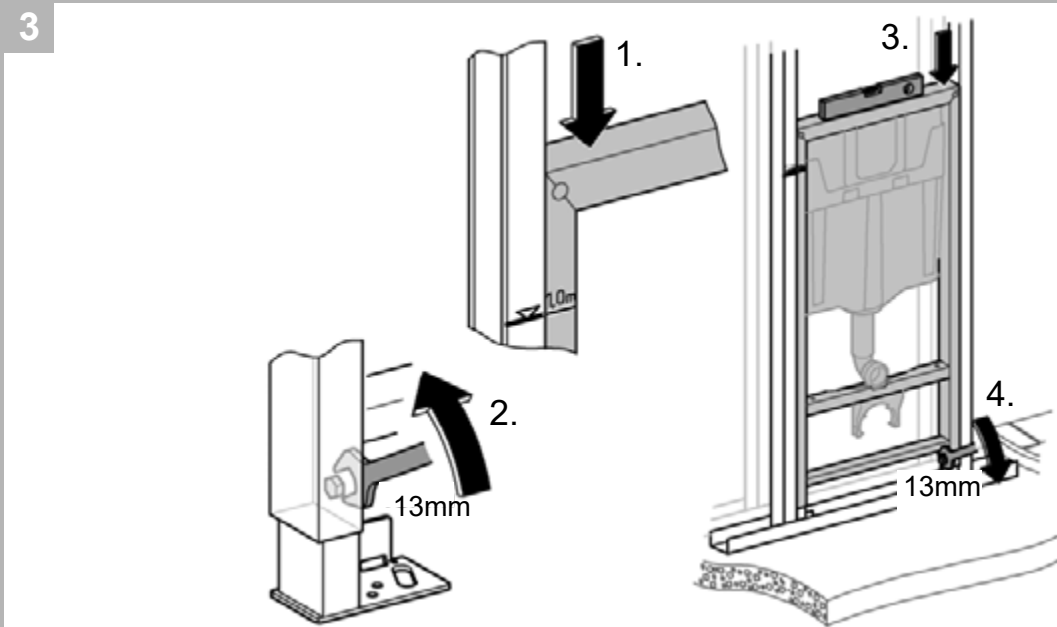
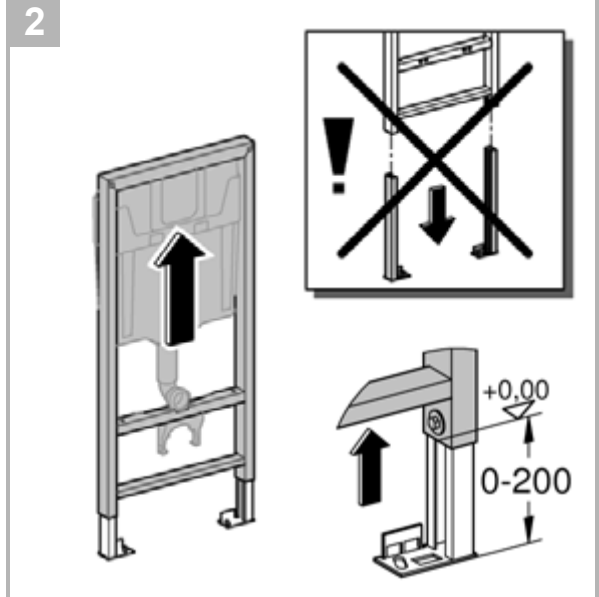
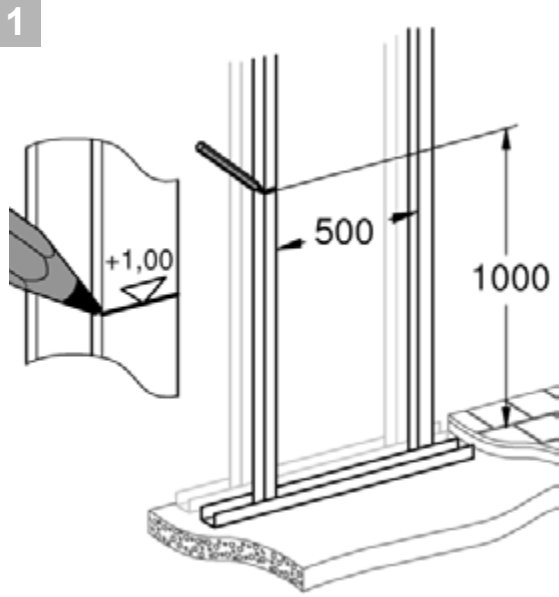


11



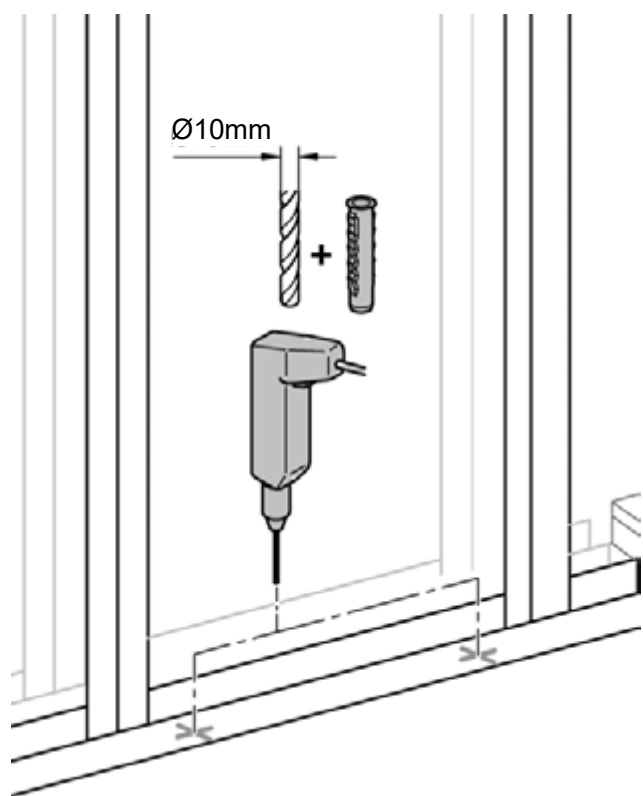
12



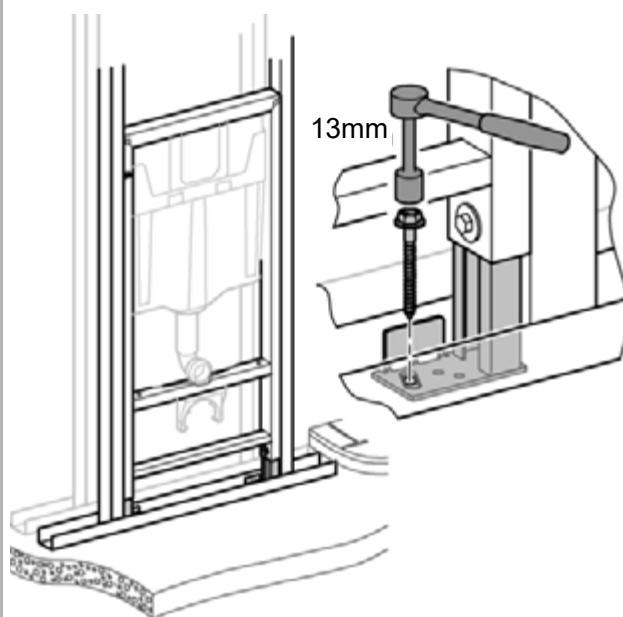




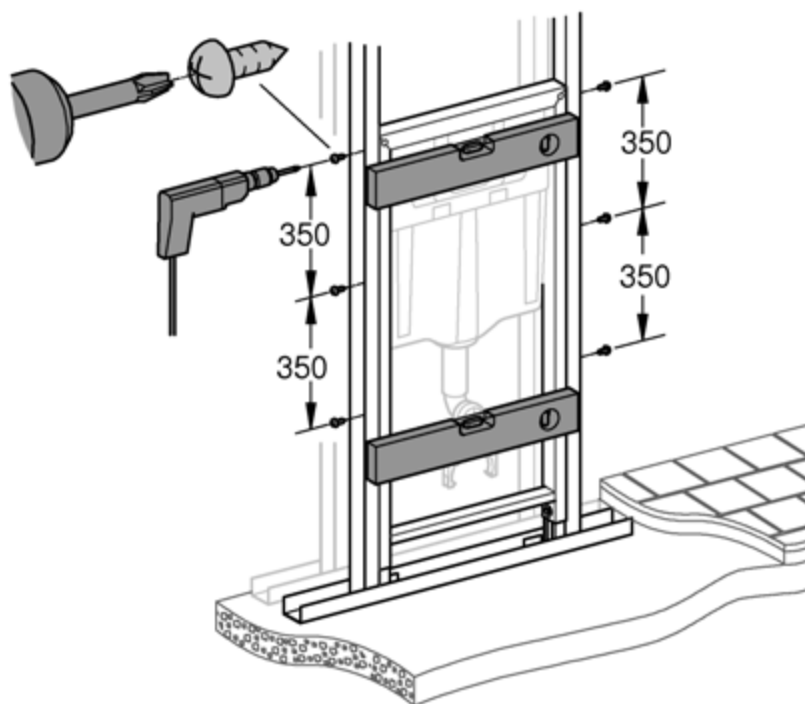
5



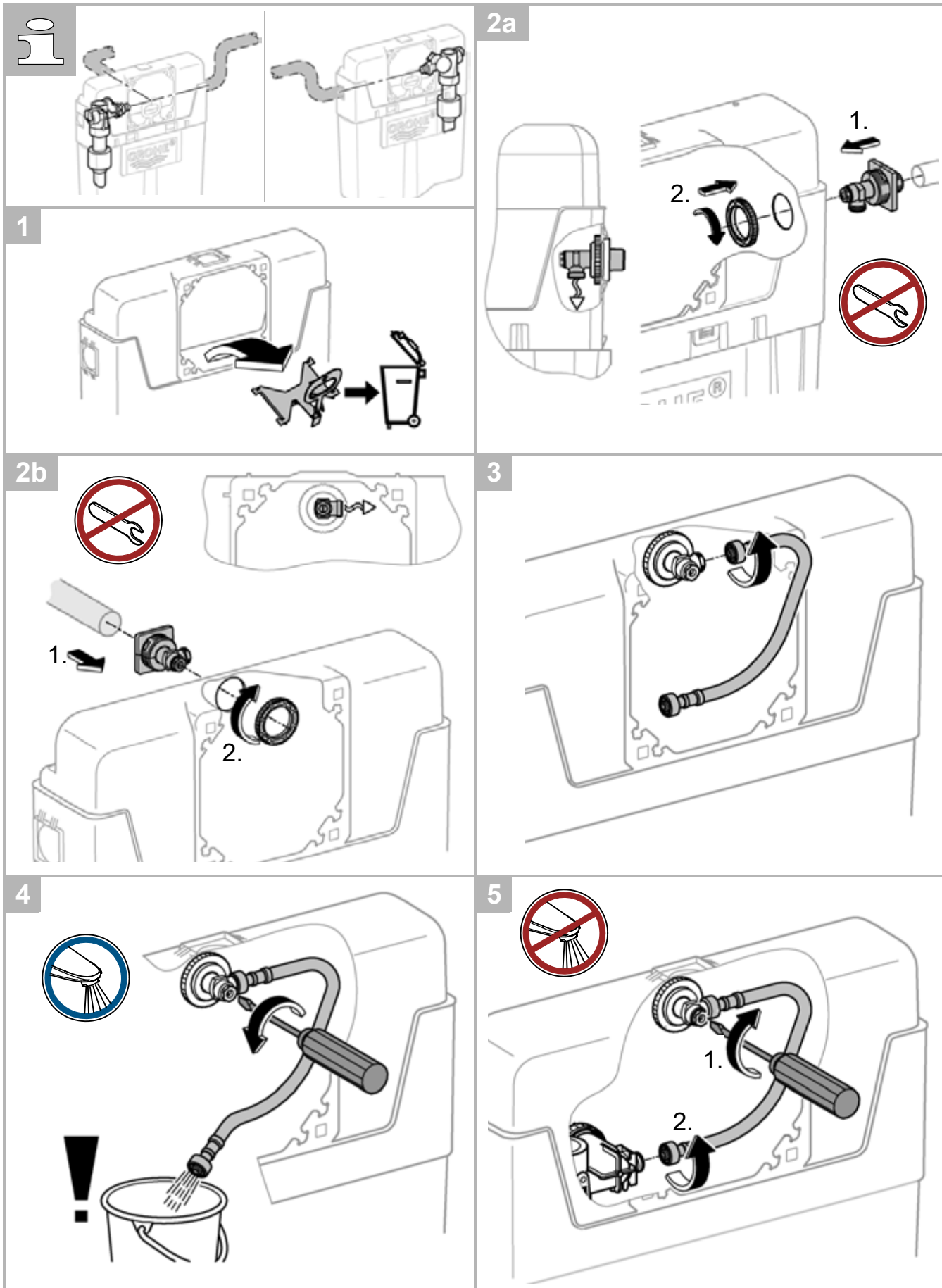
6

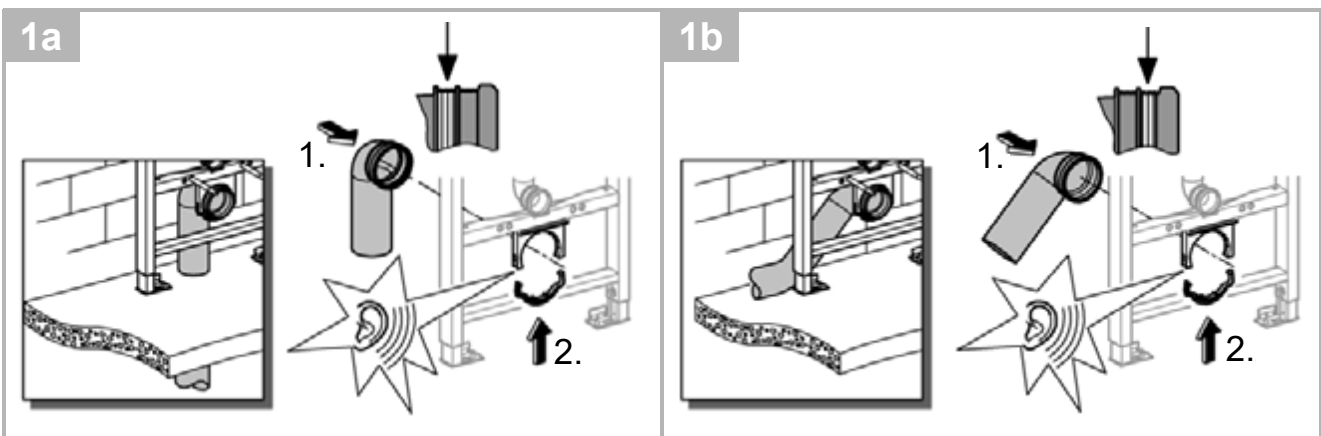
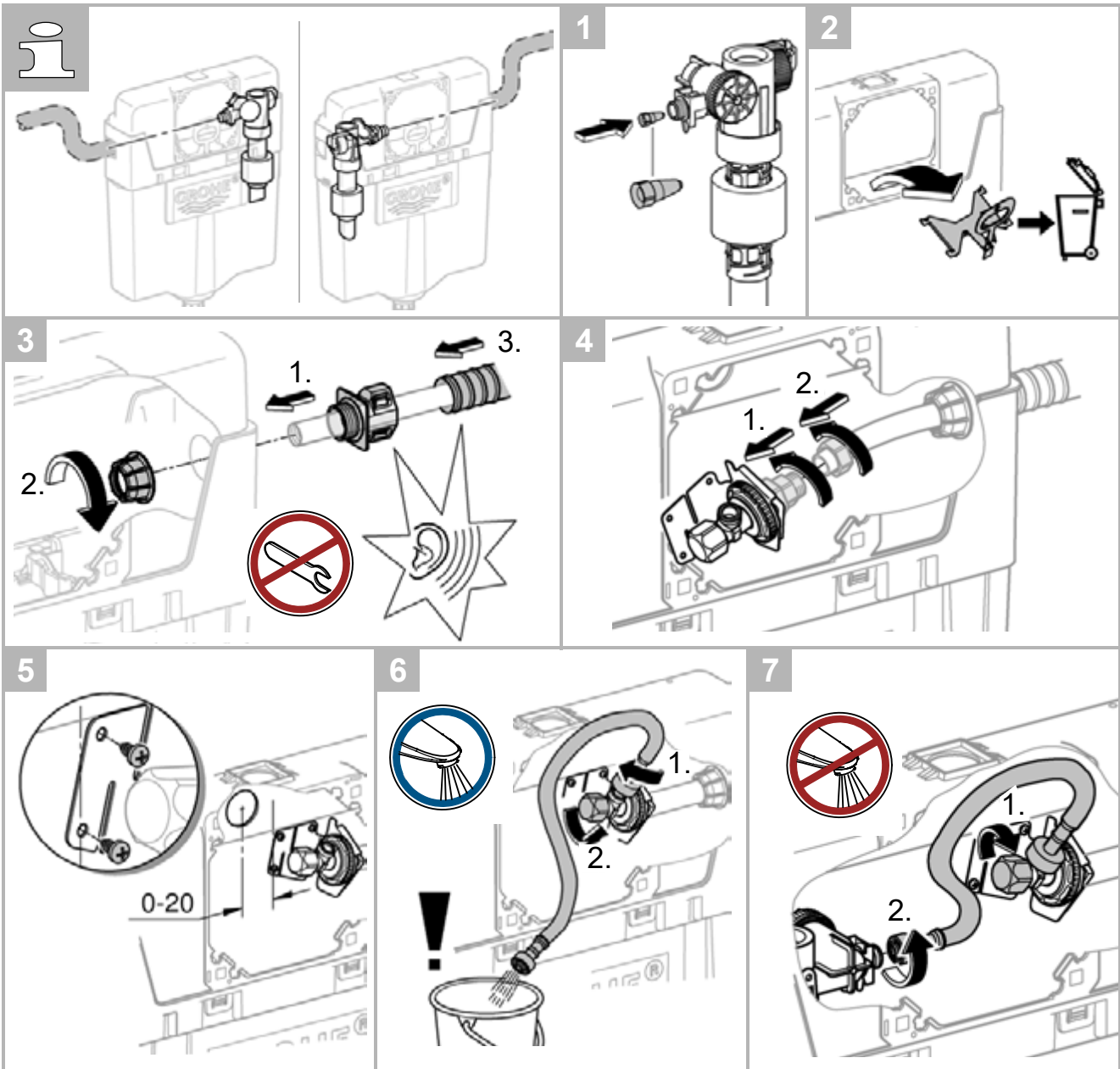


7



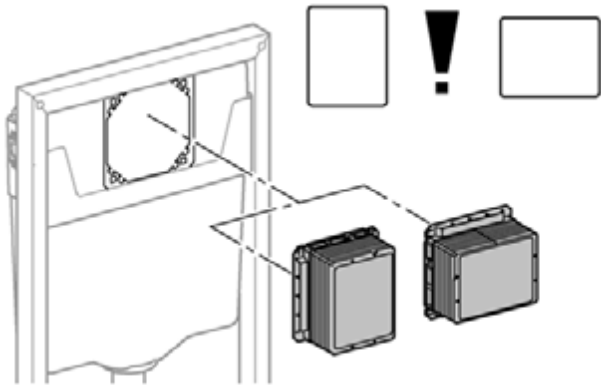
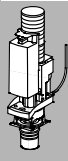
6



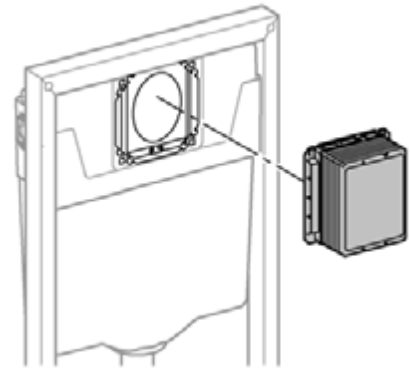




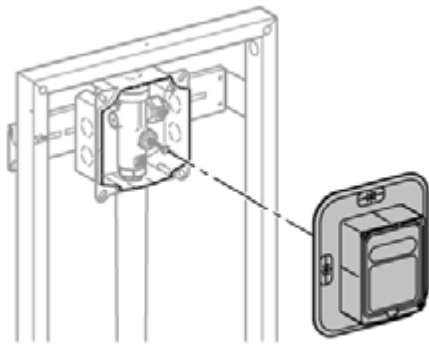
2a



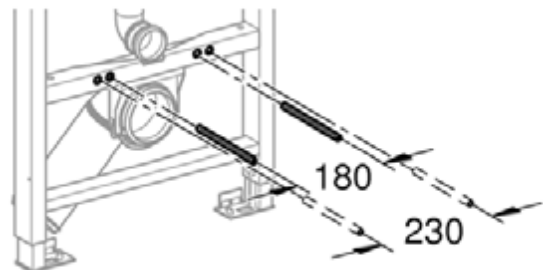
2b



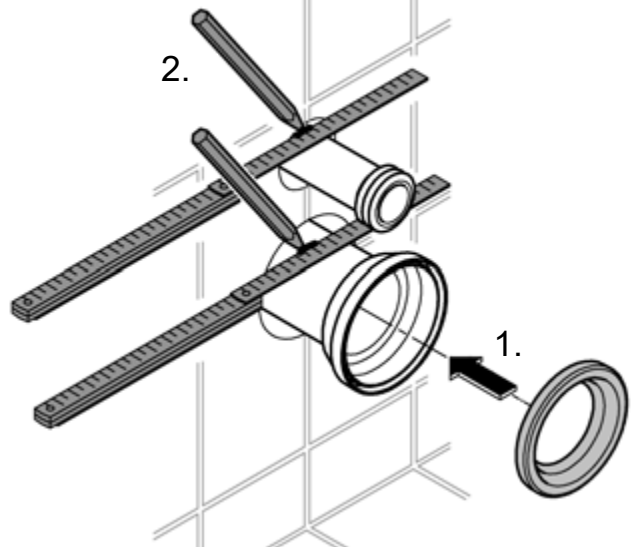
2c



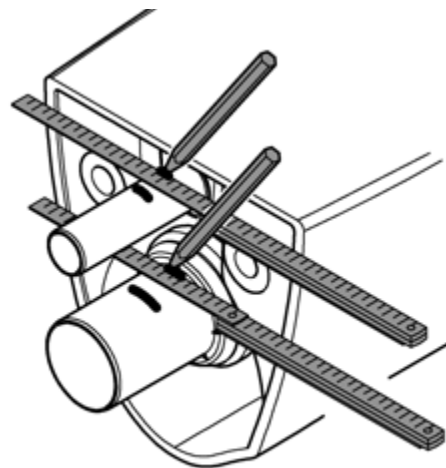
3



1

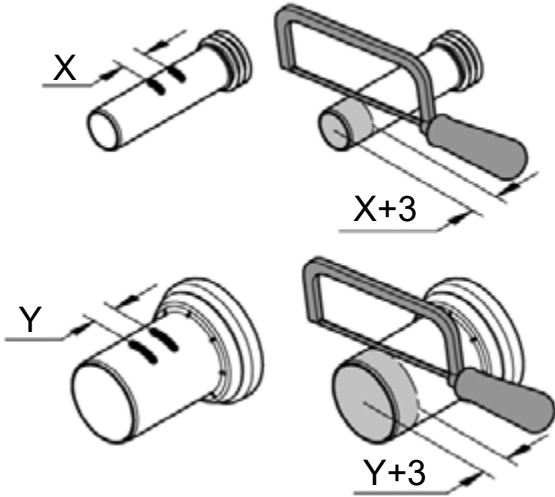


2

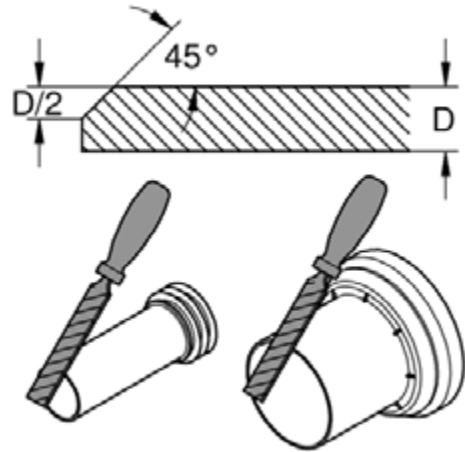




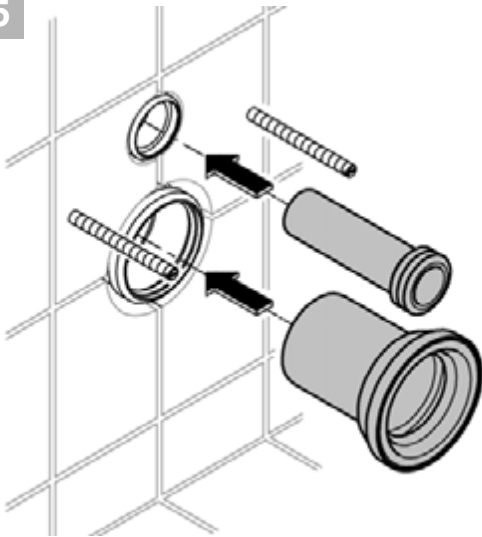
3



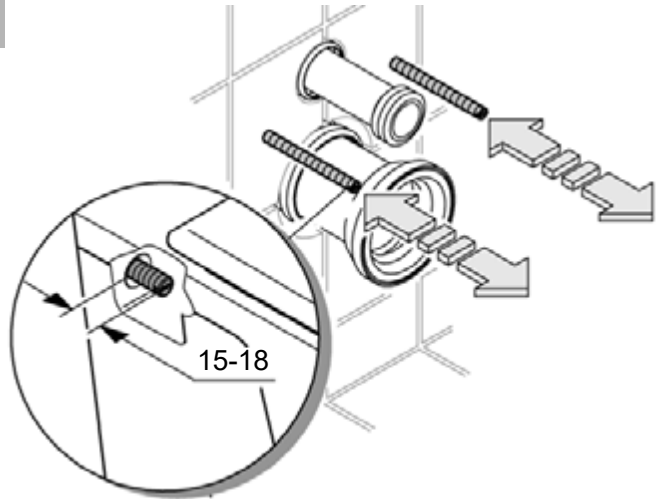
4



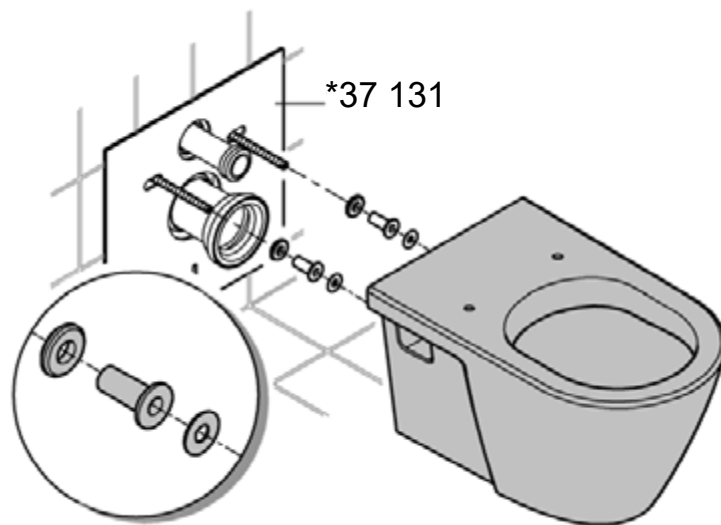
5



6

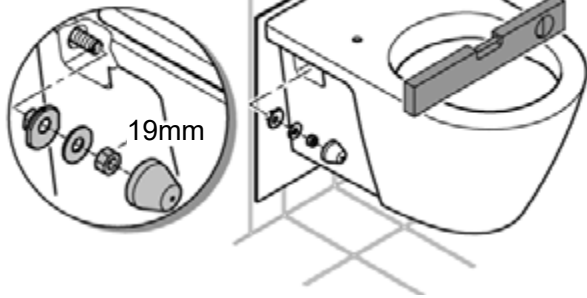


7





8



9



10

