

SPARE PARTS EXPLODED VIEW
STORAGE GAS WATER HEATERS

Model

NHRE PROTECH

R8202820-05 - 09/11/2016

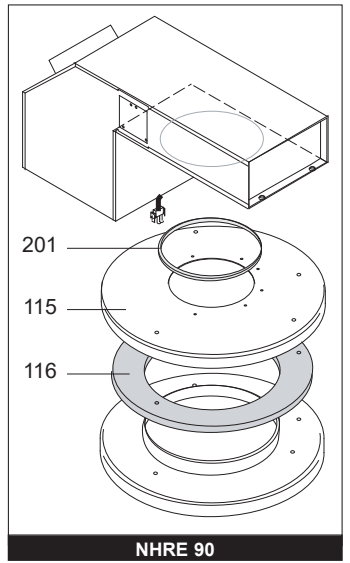
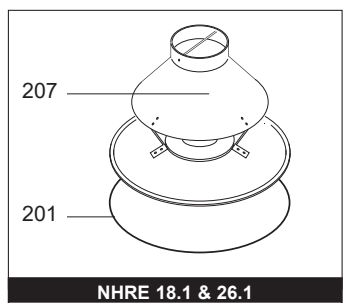
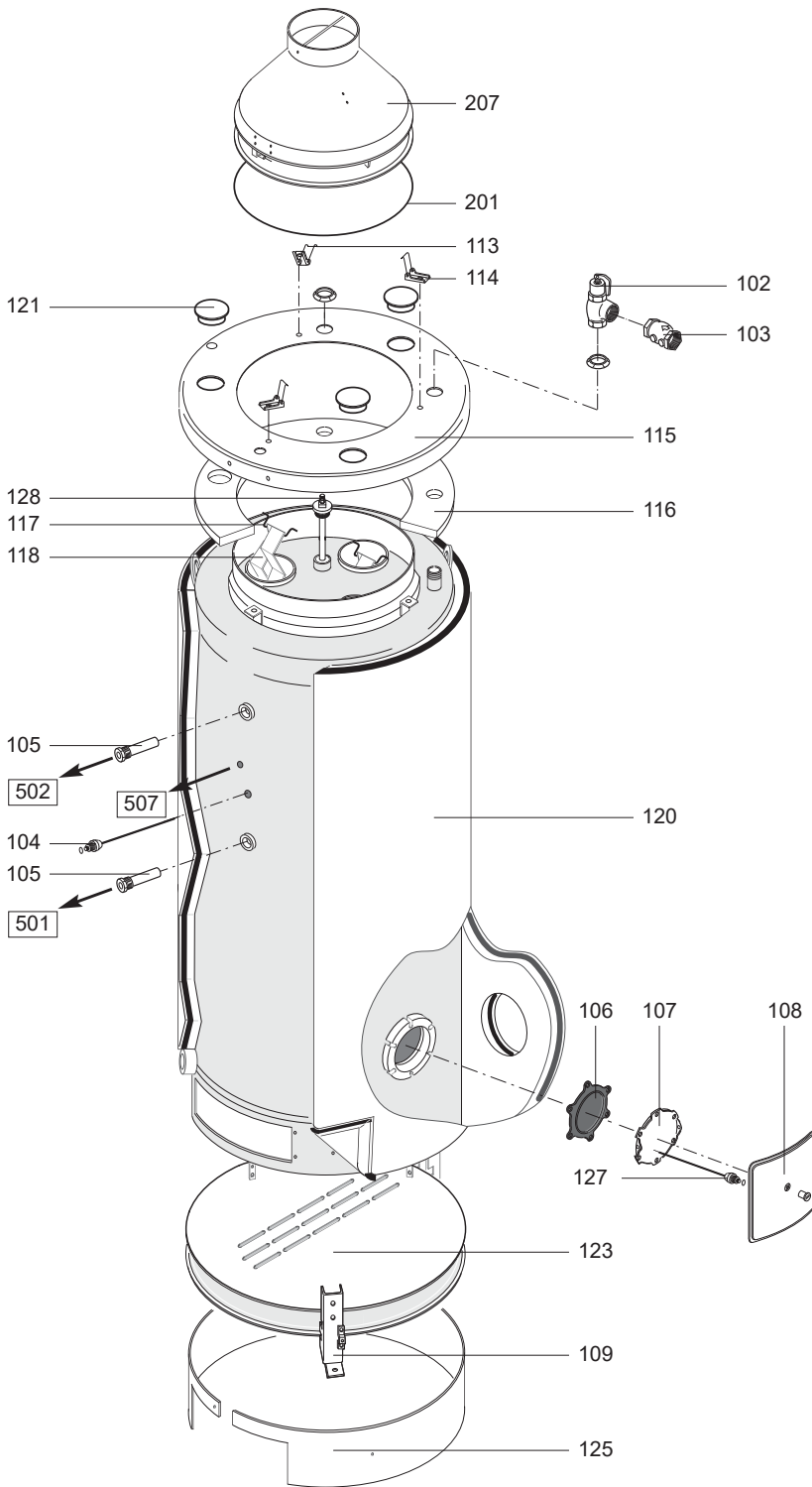
EN | **FR** | **IT** | **ES** | **DE** | **NL**

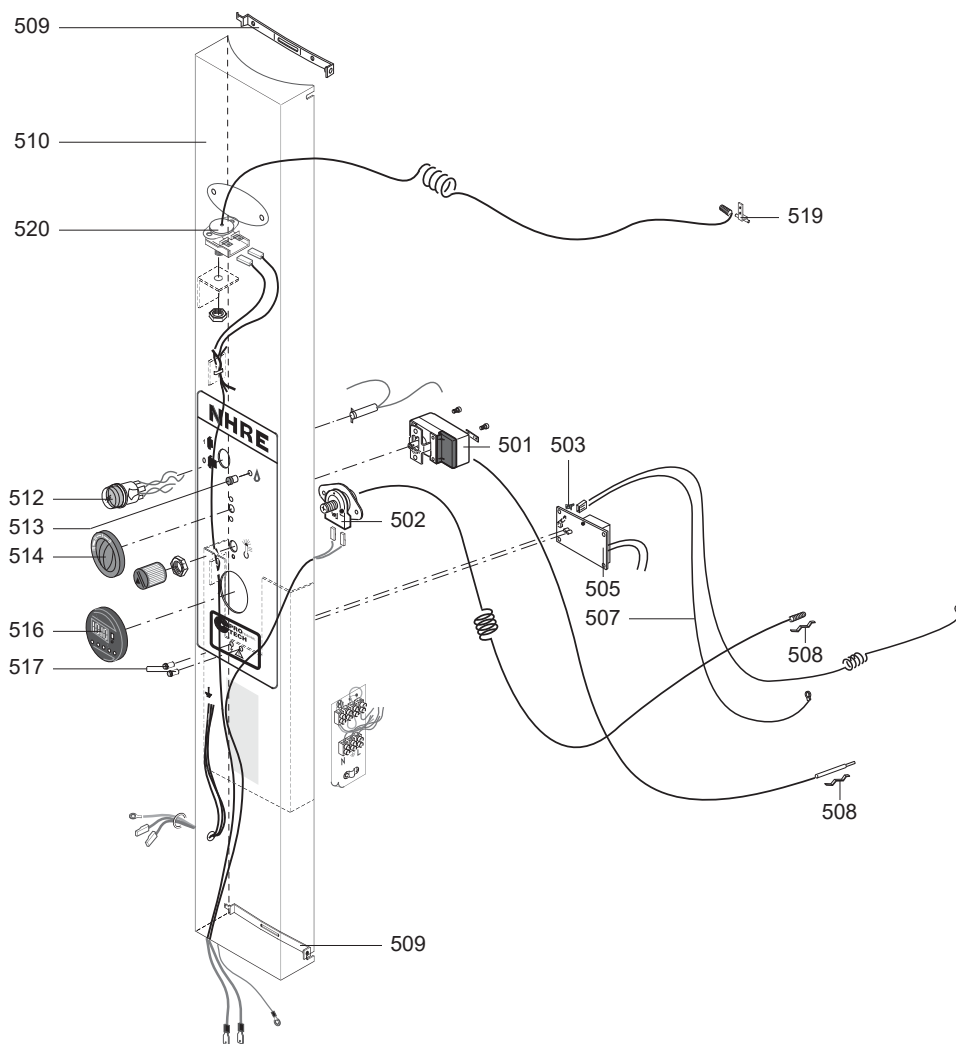
NHRE PROTECH

Storage Gas Water Heaters

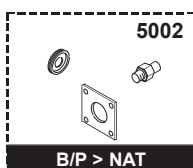
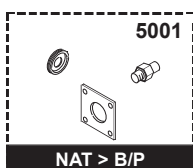
1	006480	NHRE 18 ARISTON	03-1998	-
1	006485	NHRE 18 RADI	03-1998	11-2009
1	006490	NHRE 18 SITAM	03-1998	11-2009
1	006495	NHRE 18 SIMAT	03-1998	03-2008
2	006481	NHRE 26 ARISTON	03-1998	-
2	006486	NHRE 26 RADI	03-1998	11-2009
2	006491	NHRE 26 SITAM	03-1998	11-2009
2	006496	NHRE 26 SIMAT	03-1998	03-2008
3	006482	NHRE 36 ARISTON	03-1998	-
3	006487	NHRE 36 RADI	03-1998	11-2009
3	006492	NHRE 36 SITAM	03-1998	11-2009
3	006497	NHRE 36 SIMAT	03-1998	03-2008
4	006483	NHRE 60 ARISTON	03-1998	-
4	006488	NHRE 60 RADI	03-1998	11-2009
4	006493	NHRE 60 SITAM	03-1998	11-2009
4	006498	NHRE 60 SIMAT	03-1998	03-2008
5	006484	NHRE 90 ARISTON	03-1998	-
5	006489	NHRE 90 RADI	03-1998	11-2009
5	006494	NHRE 90 SITAM	03-1998	11-2009
5	006499	NHRE 90 SIMAT	03-1998	03-2008

Col	Reference	Model type	Begin	End
-----	-----------	------------	-------	-----





5000



LIST OF THE ABBREVIATIONS

HW	: Hot water.
CW	: Cold water.
C	: Ceramic resistance (normal heating).
Ca	: Ceramic resistance (accelerated heating)
TP	: Immersion heater.
1F	: With fittings.
2F	: Without fittings.
3F	: With fittings and another outlet connection.
AMI	: With mixing valve.
SMI	: Without mixing valve.
PUISS	: Power of th appliance.
PN	: Appliance with normal pression.
LP	: Appliance with low pression.
PV	: Appliance with variable power.
PF	: Appliance with fixed power.

IDENTIFICATION PLATE

SERIAL NUMBER

12 Characters :	924 2 3 134 0115	
Product reference	_____	Sequential number
Year of manufacture	_____	Manufacturing day
15 Characters :	03 126 0001 893077	
Year of manufacture	_____	Product reference
Manufacturing day	_____	Sequential number
9 Characters :	D 97 442118	
Month of manufacture : A → January, B → February C → March, etc...	_____	Sequential number
	_____	Year of manufacture
10 Characters :	05 01 000001	
Year of manufacture	_____	Sequential number
	_____	Month of manufacture
11 Characters :	05 09 0093320	
Year of manufacture	_____	Sequential number
	_____	Month of manufacture
21 Characters :	3000115 XX 08115 0000001	
Product reference	_____	Sequential number
	_____	Year (08) / Manufacturing day (115)
22 Characters :	3000115 XX 070416 0000001	
Product reference	_____	Sequential number
	_____	Year (07) / Month (04) / Manufacturing day (16)

The indications mentioned on the prices, commercial or technical literature and the scheme are written for your guidance and are available at a given time. The CONSTRUCTOR retains the power to modify the presentation, the form, the size, the conception or the material of the products.