

# SPARE PARTS EXPLODED VIEW STORAGE GAS WATER HEATERS

Model

## NHRE PROTECH

R8202820-05 - 09/11/2016

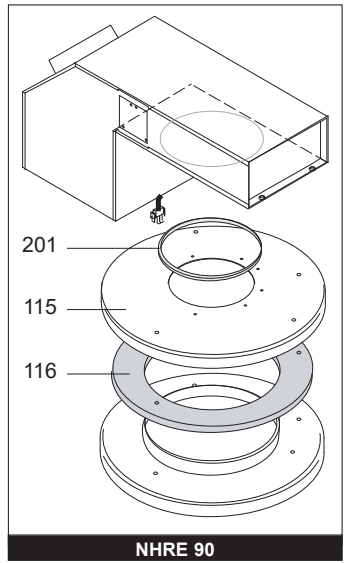
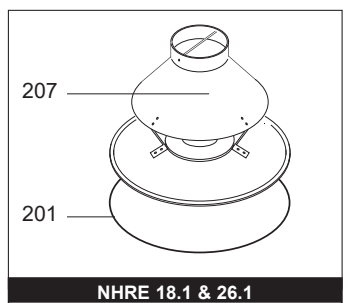
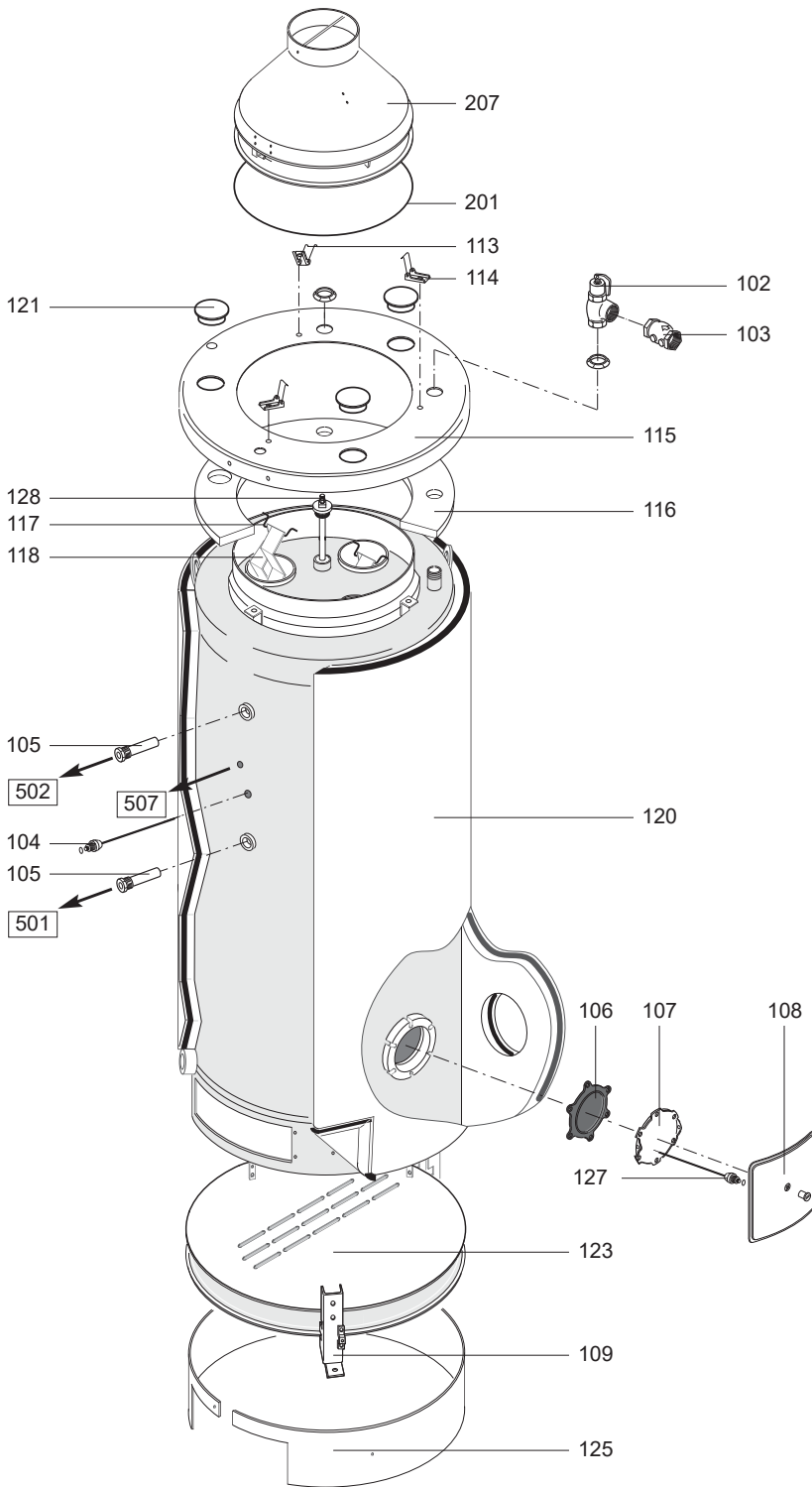
**EN** | FR | IT | ES | DE | NL

NHRE PROTECH

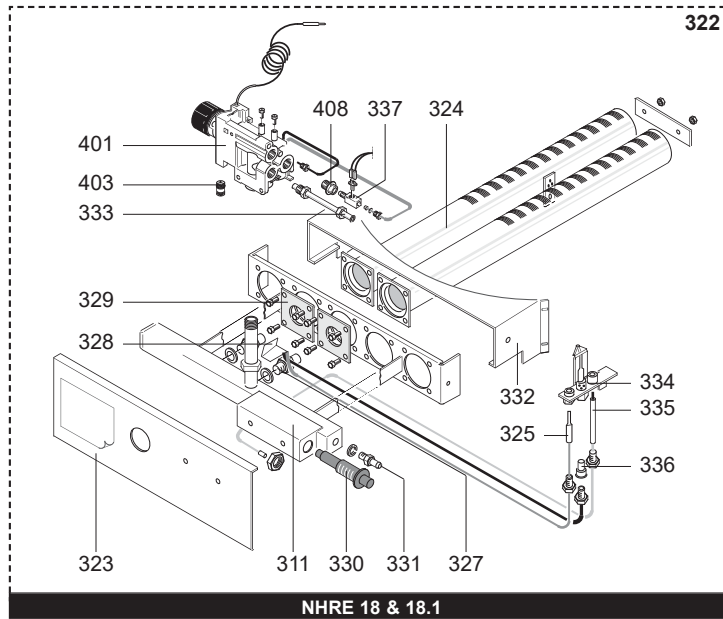
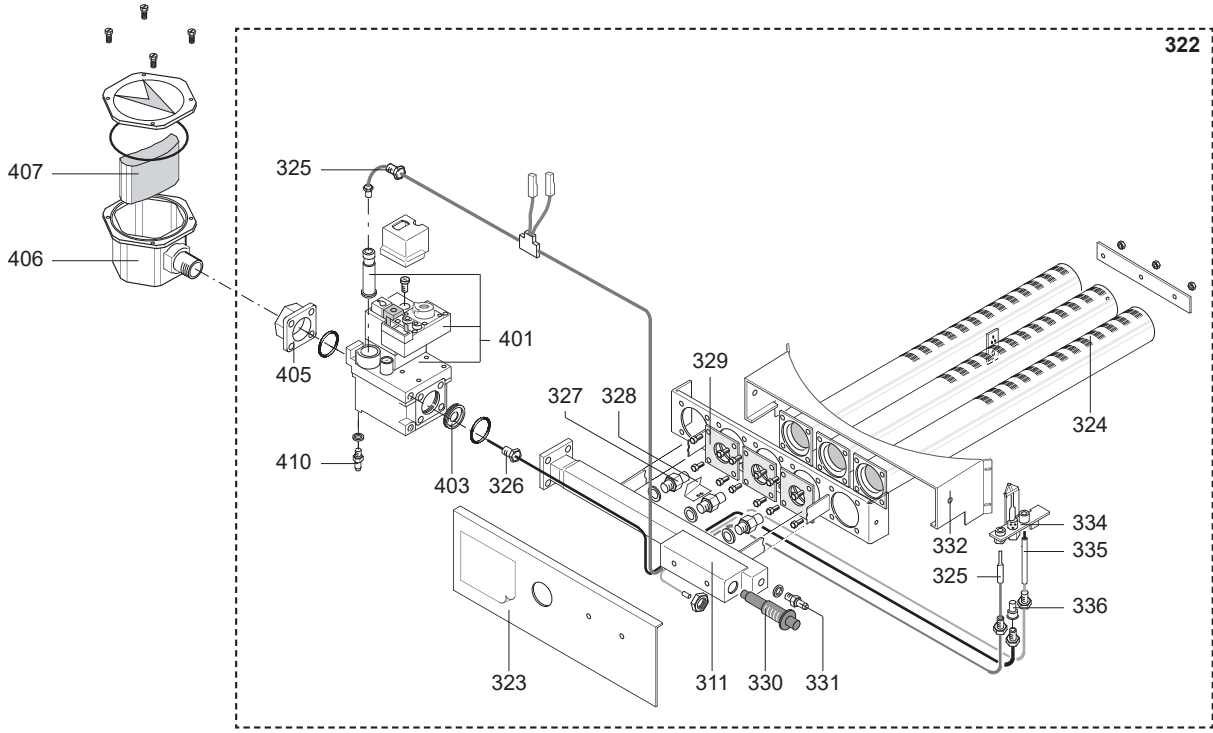
Storage Gas Water Heaters

1	006480	NHRE 18 ARISTON	03-1998	-
1	006485	NHRE 18 RADI	03-1998	11-2009
1	006490	NHRE 18 SITAM	03-1998	11-2009
1	006495	NHRE 18 SIMAT	03-1998	03-2008
2	006481	NHRE 26 ARISTON	03-1998	-
2	006486	NHRE 26 RADI	03-1998	11-2009
2	006491	NHRE 26 SITAM	03-1998	11-2009
2	006496	NHRE 26 SIMAT	03-1998	03-2008
3	006482	NHRE 36 ARISTON	03-1998	-
3	006487	NHRE 36 RADI	03-1998	11-2009
3	006492	NHRE 36 SITAM	03-1998	11-2009
3	006497	NHRE 36 SIMAT	03-1998	03-2008
4	006483	NHRE 60 ARISTON	03-1998	-
4	006488	NHRE 60 RADI	03-1998	11-2009
4	006493	NHRE 60 SITAM	03-1998	11-2009
4	006498	NHRE 60 SIMAT	03-1998	03-2008
5	006484	NHRE 90 ARISTON	03-1998	-
5	006489	NHRE 90 RADI	03-1998	11-2009
5	006494	NHRE 90 SITAM	03-1998	11-2009
5	006499	NHRE 90 SIMAT	03-1998	03-2008

Col	Reference	Model type	Begin	End
-----	-----------	------------	-------	-----

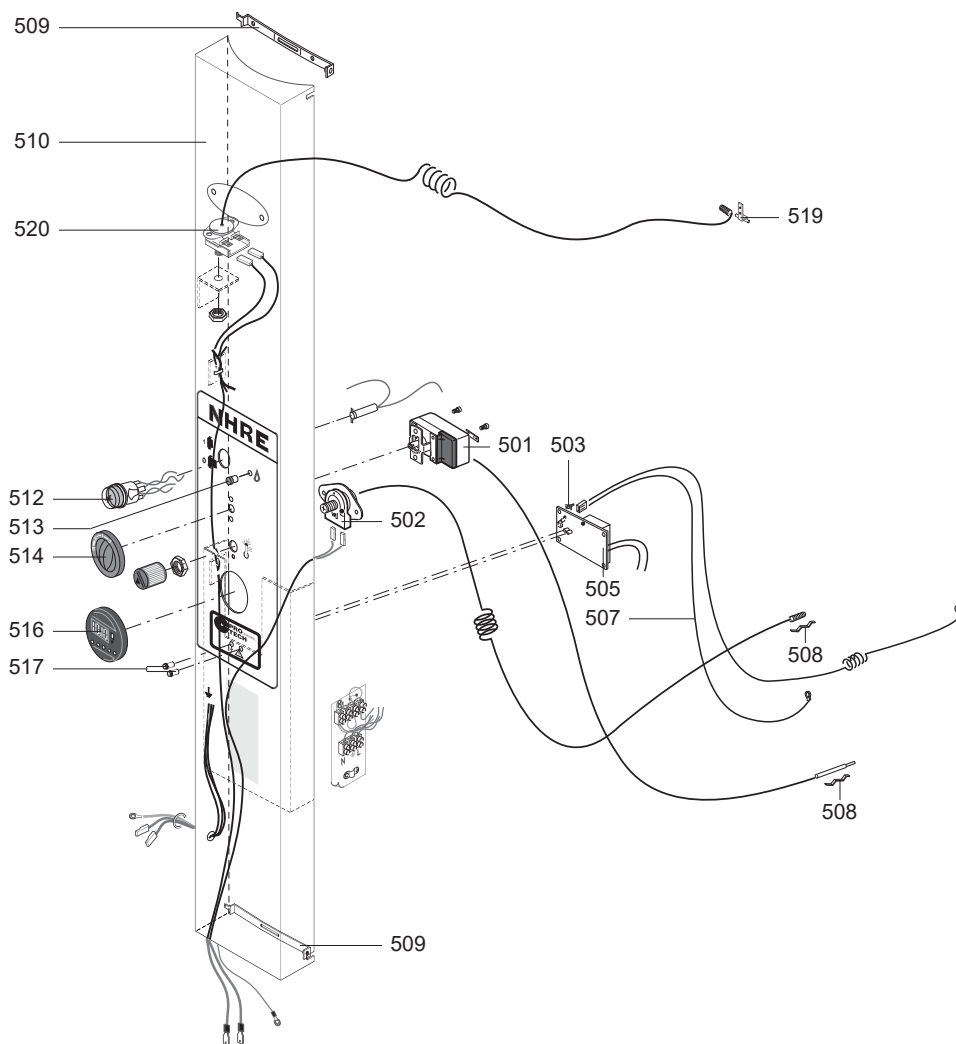




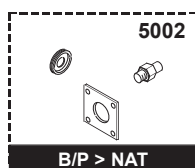
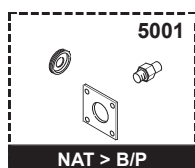


NHRE 18 & 18.1





5000





## LIST OF THE ABBREVIATIONS

HW .....	: Hot water.
CW .....	: Cold water.
C .....	: Ceramic resistance (normal heating).
Ca .....	: Ceramic resistance (accelerated heating)
TP .....	: Immersion heater.
1F .....	: With fittings.
2F .....	: Without fittings.
3F .....	: With fittings and another outlet connection.
AMI .....	: With mixing valve.
SMI .....	: Without mixing valve.
PUISS .....	: Power of th appliance.
PN .....	: Appliance with normal pression.
LP .....	: Appliance with low pression.
PV .....	: Appliance with variable power.
PF .....	: Appliance with fixed power.

## IDENTIFICATION PLATE

### SERIAL NUMBER

<b>12 Characters :</b>	924 2 3 134 0115	
Product reference	_____	Sequential number
Year of manufacture	_____	Manufacturing day
<b>15 Characters :</b>	03 126 0001 893077	
Year of manufacture	_____	Product reference
Manufacturing day	_____	Sequential number
<b>9 Characters :</b>	D 97 442118	
Month of manufacture : A → January, B → February C → March, etc...	_____	Sequential number
	_____	Year of manufacture
<b>10 Characters :</b>	05 01 000001	
Year of manufacture	_____	Sequential number
	_____	Month of manufacture
<b>11 Characters :</b>	05 09 0093320	
Year of manufacture	_____	Sequential number
	_____	Month of manufacture
<b>21 Characters :</b>	3000115 XX 08115 0000001	
Product reference	_____	Sequential number
	_____	Year (08) / Manufacturing day (115)
<b>22 Characters :</b>	3000115 XX 070416 0000001	
Product reference	_____	Sequential number
	_____	Year (07) / Month (04) / Manufacturing day (16)

The indications mentioned on the prices, commercial or technical literature and the scheme are written for your guidance and are available at a given time. The CONSTRUCTOR retains the power to modify the presentation, the form, the size, the conception or the material of the products.