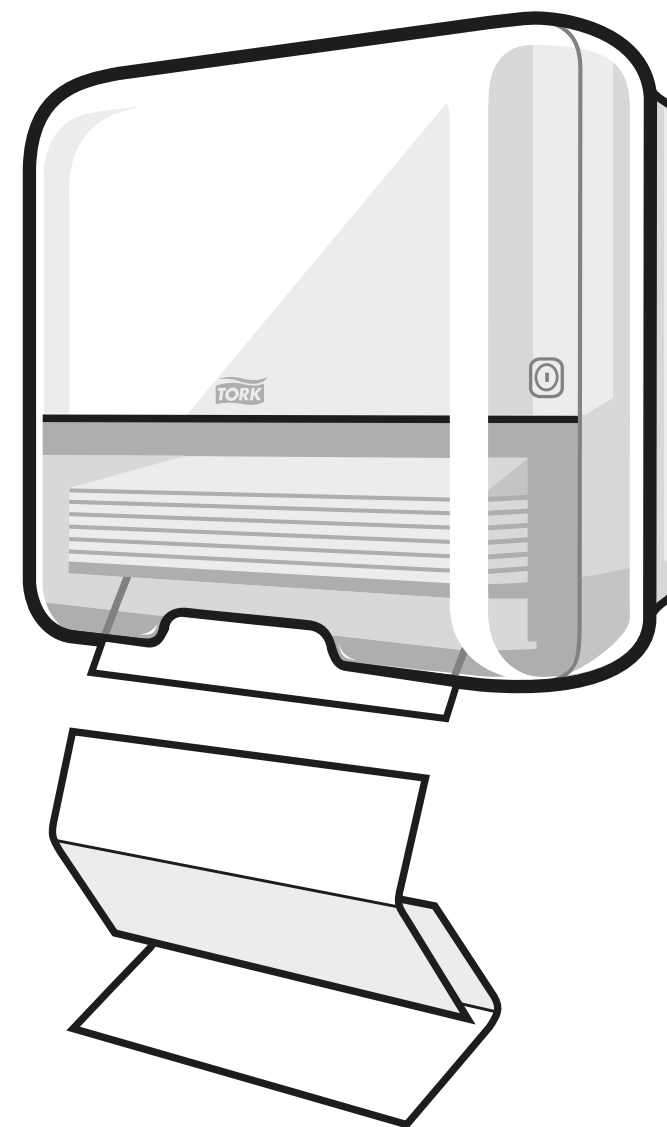


European Community Design Registration RCD 000929971

Singlefold/ C-fold Mini Hand Towel Dispenser

H3

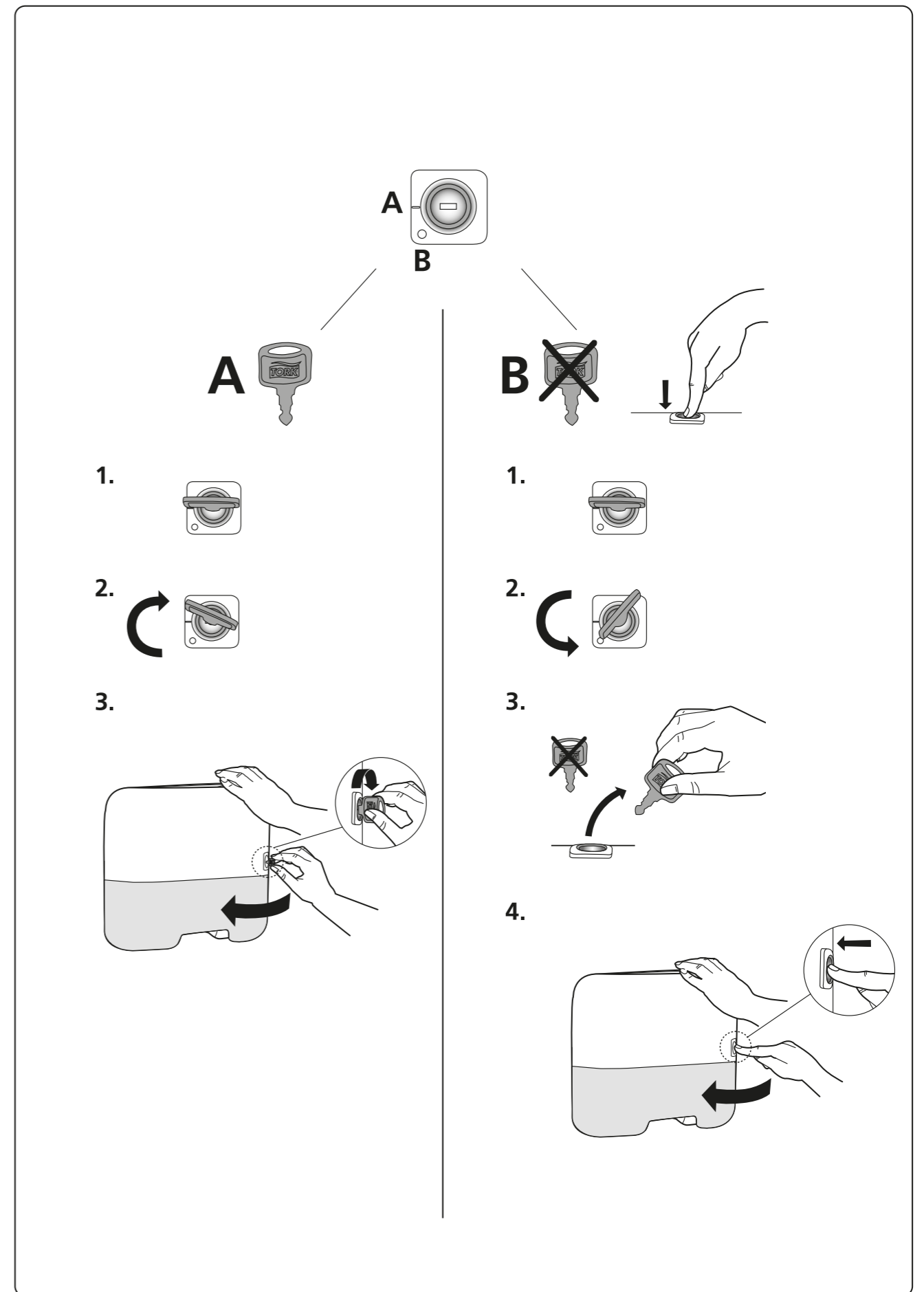
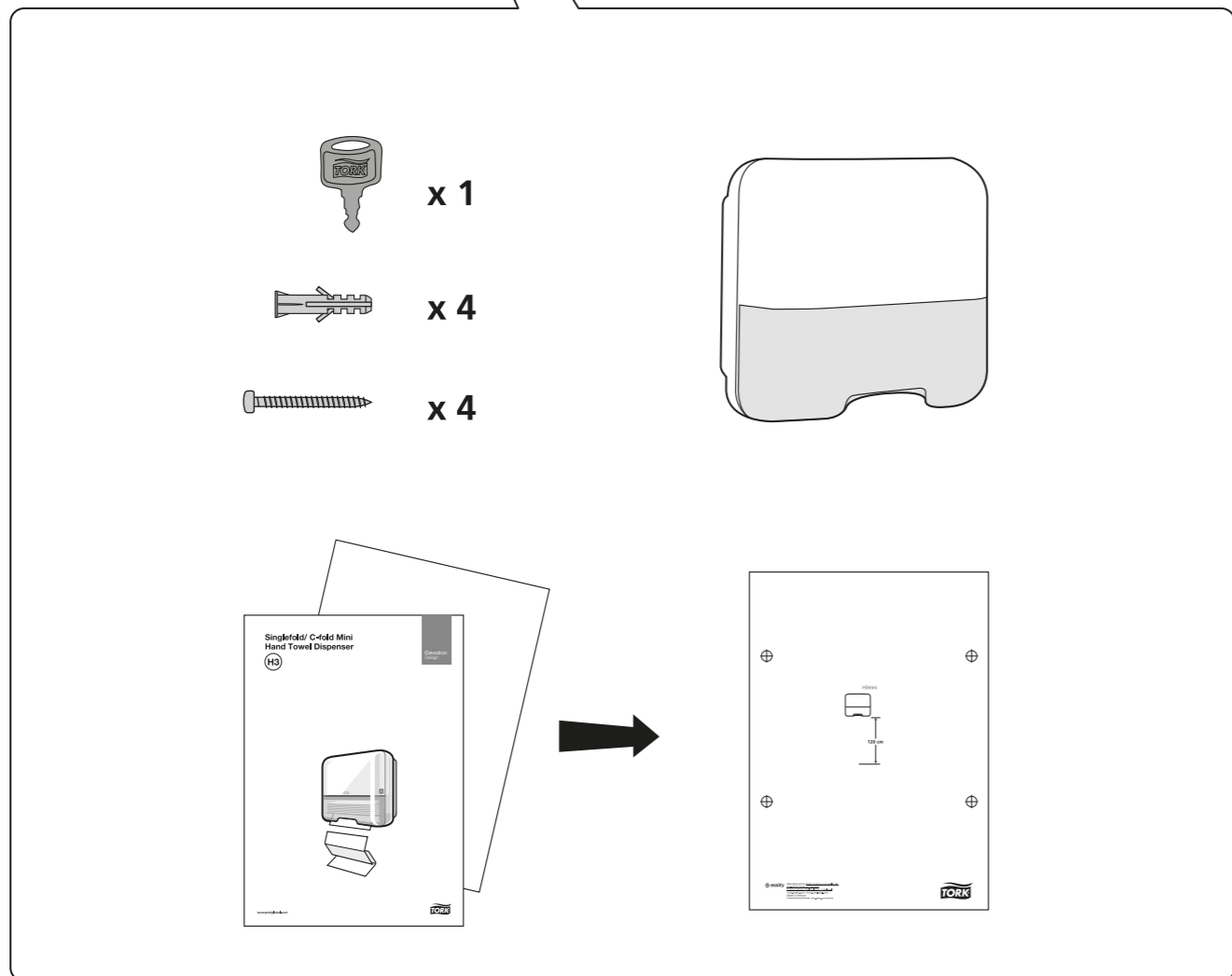
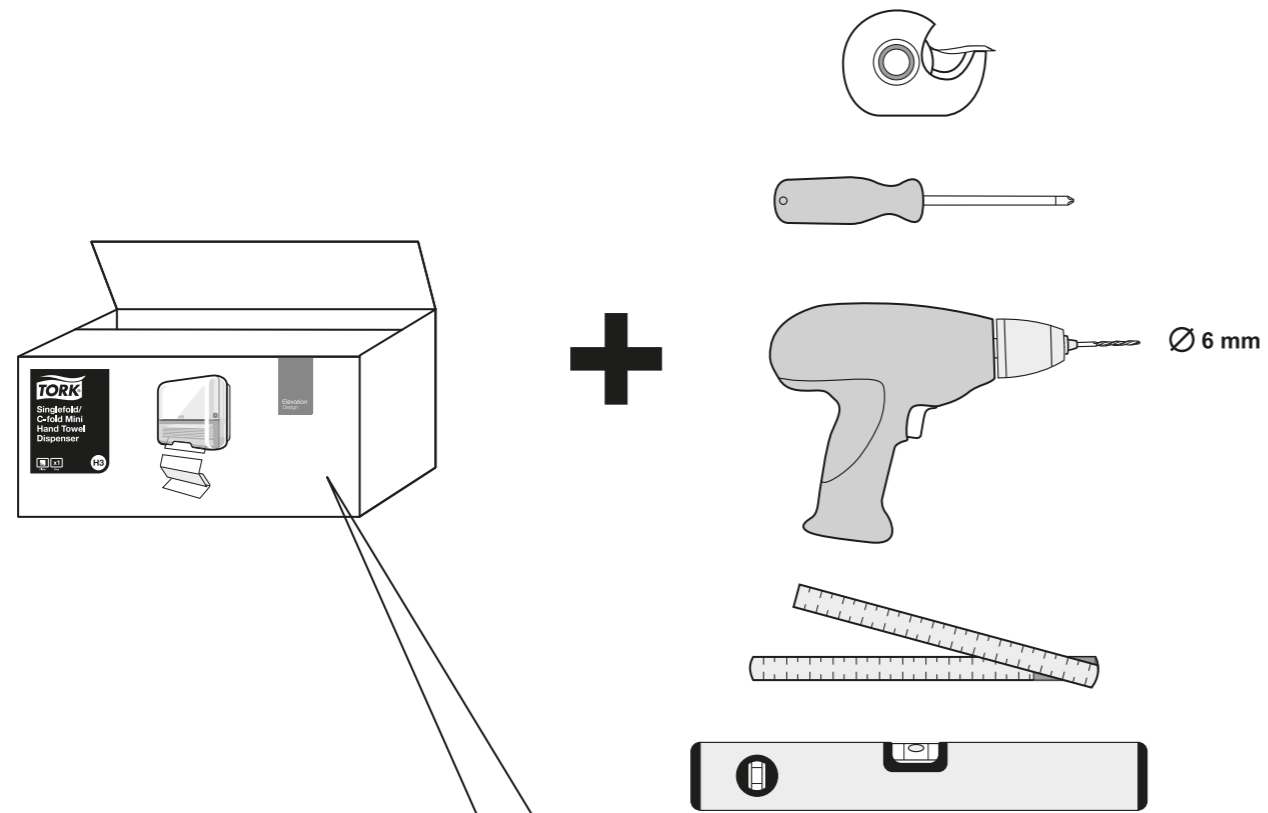
Elevation
Design



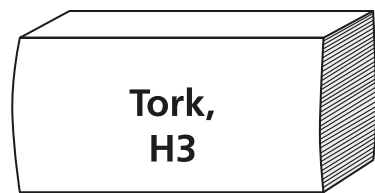
 **essity** Manufactured by Essity Hygiene and Health AB
SE-40503 Göteborg, Sweden
Visiting address: Mölndals Bro 2, Mölndal
www.essity.com, www.torkglobal.com
Made in Germany
Patents/Brevets/Patentes: www.essity.com/patents

www.torkglobal.com

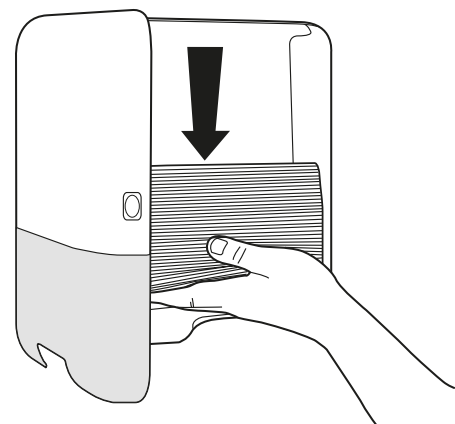




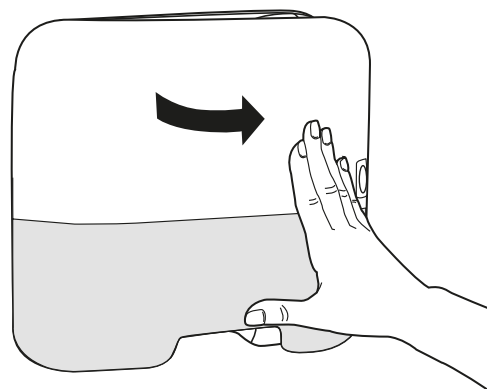
2.



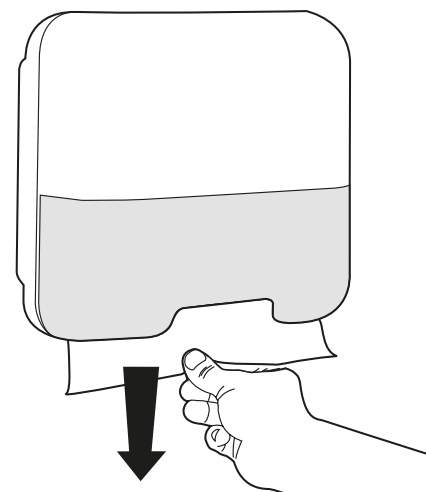
x 1,5



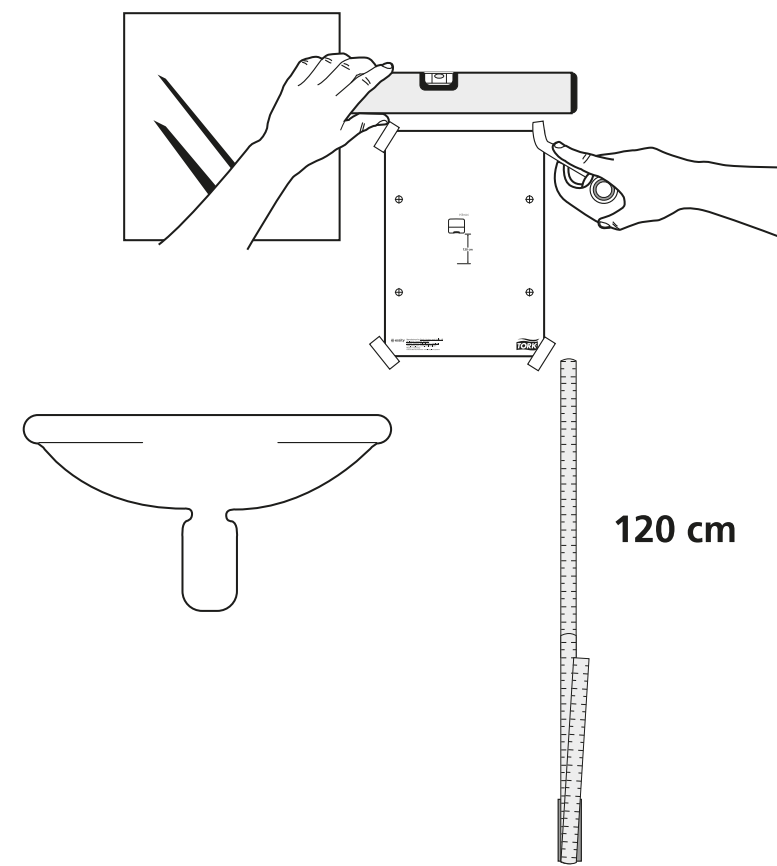
3.



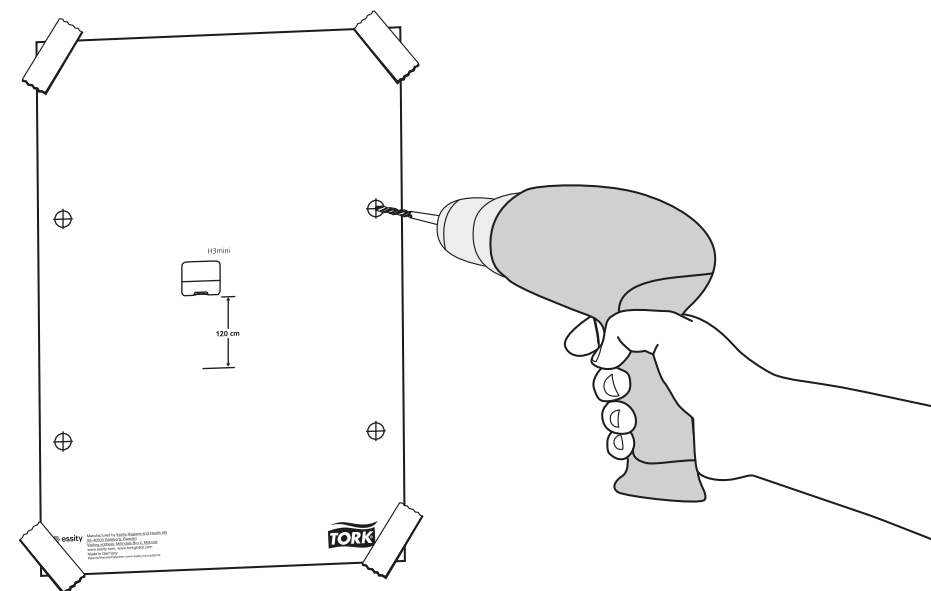
4.





1.

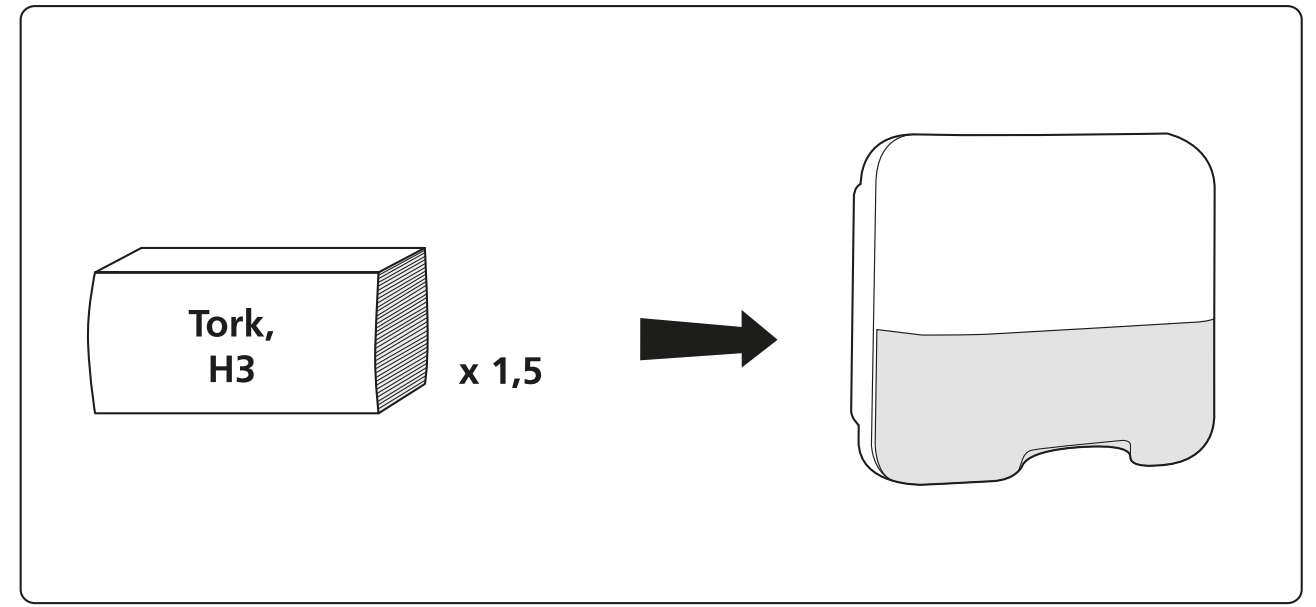
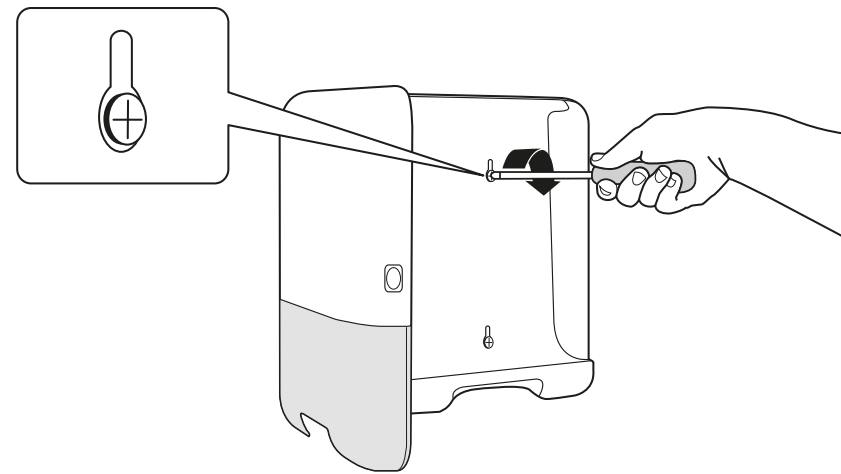


2.

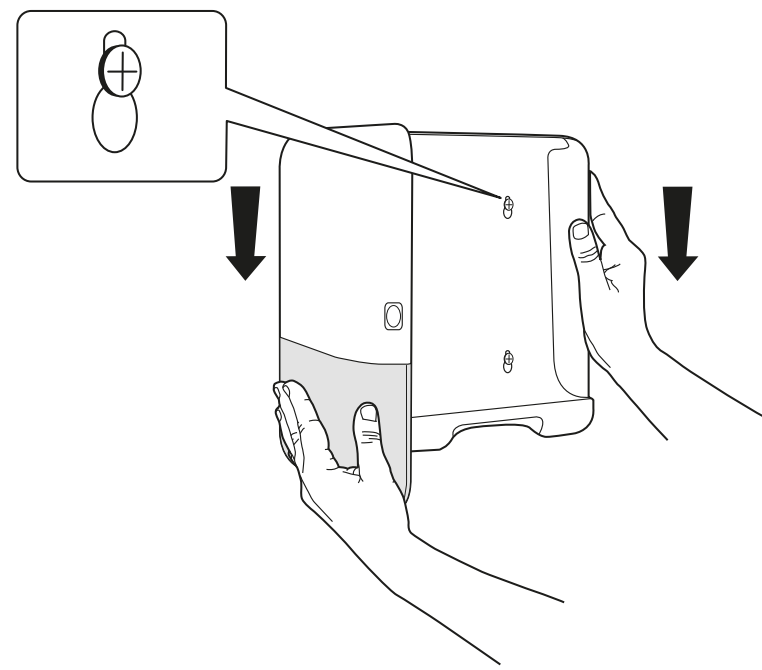


3.

-  x 4
-  x 4



4.



1.

