

SPARE PARTS EXPLODED VIEW STORAGE GAS WATER HEATERS

Model

NHRE PROTECH

R8202820-05 - 09/11/2016

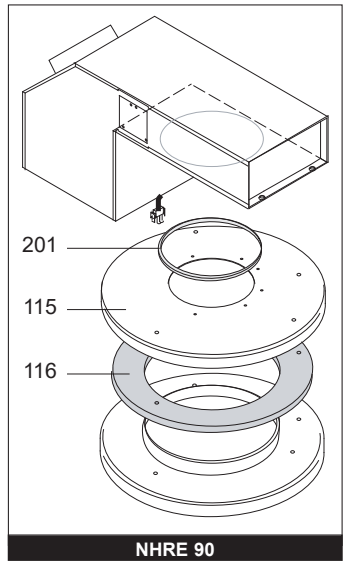
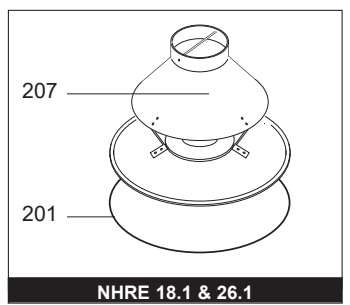
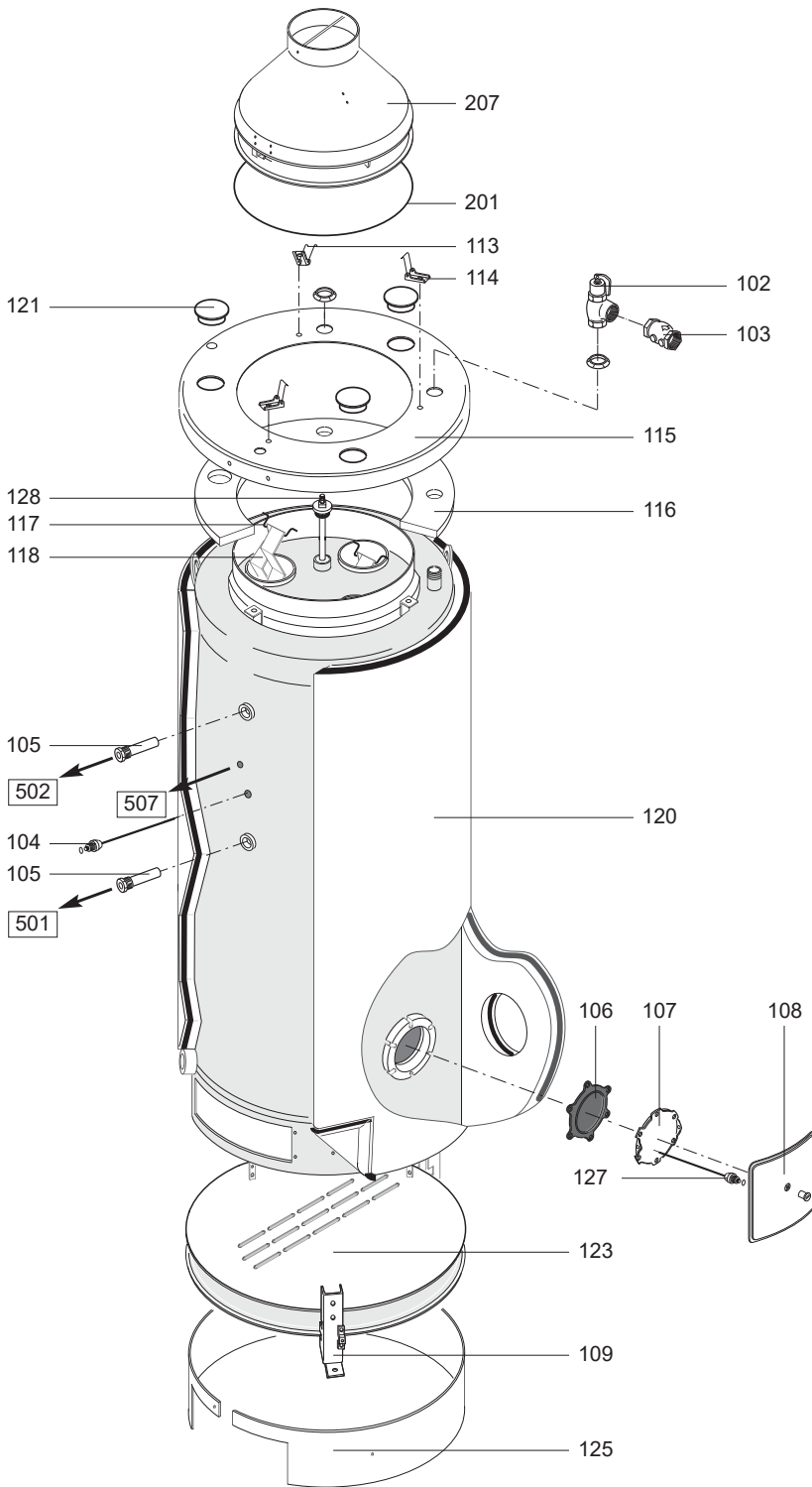
EN | FR | IT | ES | DE | NL

NHRE PROTECH

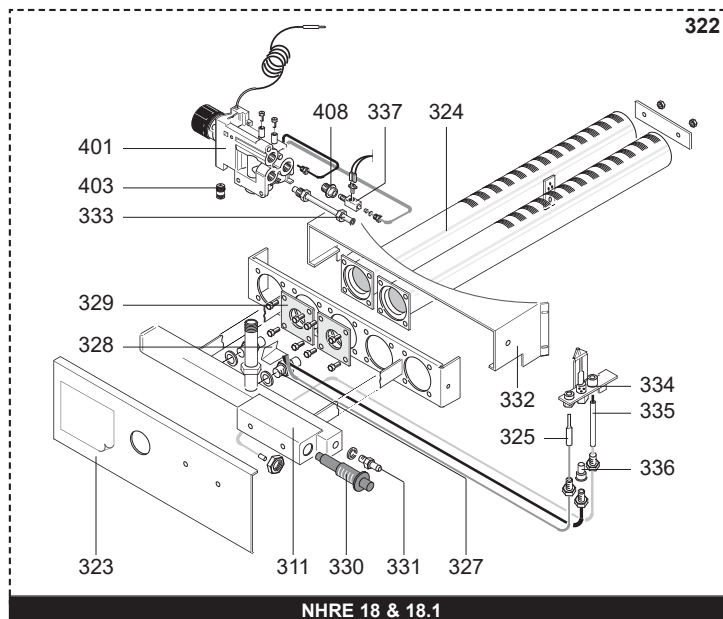
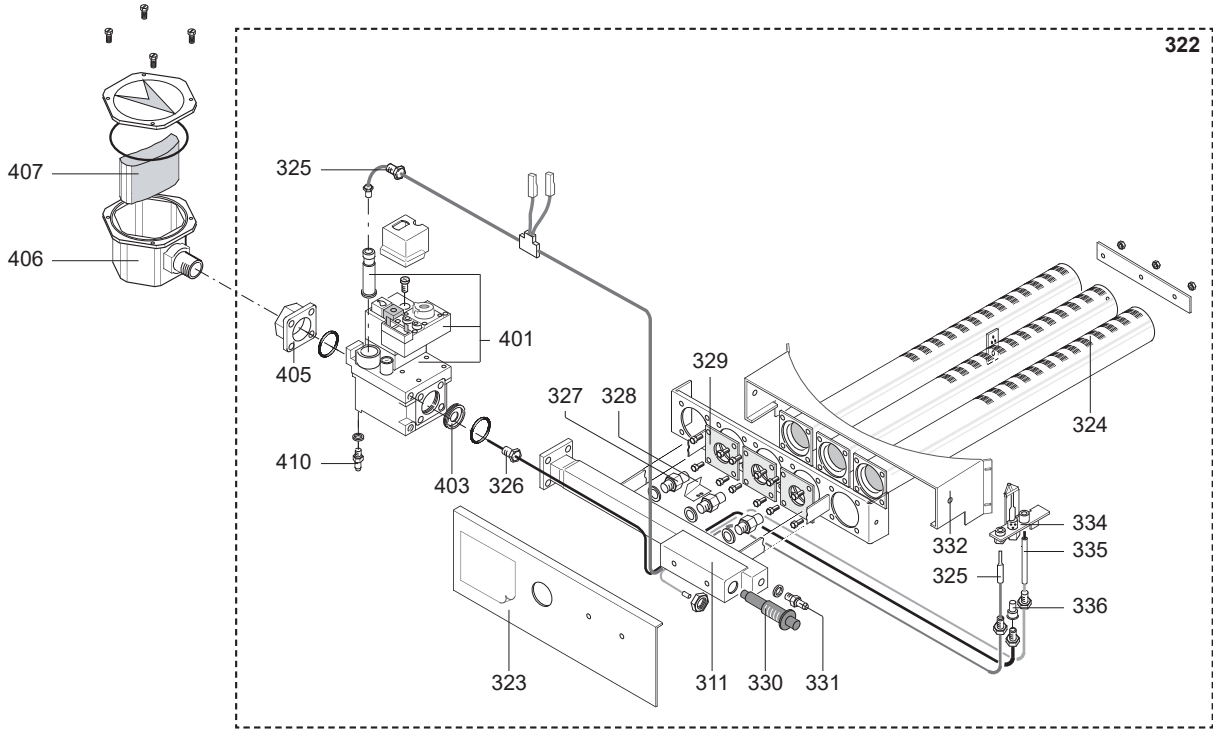
Storage Gas Water Heaters

1	006480	NHRE 18 ARISTON	03-1998	-
1	006485	NHRE 18 RADi	03-1998	11-2009
1	006490	NHRE 18 SITAM	03-1998	11-2009
1	006495	NHRE 18 SIMAT	03-1998	03-2008
2	006481	NHRE 26 ARISTON	03-1998	-
2	006486	NHRE 26 RADi	03-1998	11-2009
2	006491	NHRE 26 SITAM	03-1998	11-2009
2	006496	NHRE 26 SIMAT	03-1998	03-2008
3	006482	NHRE 36 ARISTON	03-1998	-
3	006487	NHRE 36 RADi	03-1998	11-2009
3	006492	NHRE 36 SITAM	03-1998	11-2009
3	006497	NHRE 36 SIMAT	03-1998	03-2008
4	006483	NHRE 60 ARISTON	03-1998	-
4	006488	NHRE 60 RADi	03-1998	11-2009
4	006493	NHRE 60 SITAM	03-1998	11-2009
4	006498	NHRE 60 SIMAT	03-1998	03-2008
5	006484	NHRE 90 ARISTON	03-1998	-
5	006489	NHRE 90 RADi	03-1998	11-2009
5	006494	NHRE 90 SITAM	03-1998	11-2009
5	006499	NHRE 90 SIMAT	03-1998	03-2008

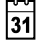
Col	Reference	Model type	Begin	End
-----	-----------	------------	-------	-----



☞	Description	Manf. Pt. N	Type	<div style="float: right; border: 1px solid black; padding: 2px; margin-bottom: 5px;"> 31 </div> <div style="display: flex; justify-content: space-between;"> NHRE 18 NHRE 26 NHRE 36 NHRE 60 NHRE 90 </div>																		From	to
				1	2	3	4	5	6	7	8	9	10	11	12	13	14	15	16	17	18		
0100	FRONT CASE																						
0102	PRESSURE RELIEF VALVE	340001					•	•															
	PRESSURE RELIEF VALVE	340005		•	•																		
	PRESSURE RELIEF VALVE	340258																					
0103	NOT RETURN VALVE	340003		•	•	•	•	•															
	ONE WAY VALVE	340184																					
0104	ANODE (PROTECH)	340407		•	•	•	•	•	•														
0105	SHEATH (THERMOSTAT)	338328		•	•	•	•	•	•														
0106	FLANGE GASKET D.106	290139	PROTECH	•	•	•	•	•	•														
	GASKET (INSPECTION FLANGE)	343356		•	•	•	•	•	•														
0107	FLANGE D:110 (ANODE PROTECH)	61400338	PROTECH	•	•	•	•	•	•														
	INSPECTION FLANGE	397399		•	•	•	•	•	•														
0108	COVER (INSPECTION)	342068		•	•	•	•	•	•														
0109	FOOT	336648		•	•	•	•	•	•														
0113	FIXING BRACKET (UPPER COVER)	337468		•	•	•	•	•	•														
0114	FIXING BRACKET (FLUE HOOD)	337760		•	•	•	•	•	•														
0115	UPPER COVER	337459																					
	UPPER COVER	337917		•	•	•	•	•	•														
0116	INSULATING PANEL	343469																					
	INSULATING PANEL	343489		•	•	•	•	•	•														
0117	FLUE BAFFLE SUPPORT	338394		•	•	•	•	•	•														
0118	FLUE BAFFLE	337831		•																	04/01		
	FLUE BAFFLE	337833					•																
	FLUE BAFFLE	337834						•															
	FLUE BAFFLE	337913																					
	FLUE BAFFLE	337954		•																	05/01		
	FLUE BAFFLE	337963			•																01/02		
0120	OUTER COVERING	343464		•																			
	OUTER COVERING	343465			•	•																	
	OUTER COVERING	343467																					
0121	ANODE PLUG CAP	342066		•	•	•	•	•	•														
0123	AIR GRATE	337638			•	•																	
	AIR GRATE	337769		•																			
	AIR GRATE	337789																					
0125	LOWER COVER	337765		•	•	•	•	•	•														
	LOWER COVER	337802																					
0127	ANODE (PROTECH)	340406		•	•	•	•	•	•														
0128	KIT DRAIN SCREW + ANODE	60001635-01		•	•	•	•	•	•												07/10		
0200	FAN ASSEMBLY																						
0201	BACKFLOW HOOD GASKET	343344																					
	GASKET (FLUE HOOD)	343006		•	•	•	•	•	•														
0207	FLUE HOOD WITH FLUE PROTECTION	61400358		•																	04/01		
	FLUE HOOD WITH FLUE PROTECTION	61400360					•																
	FLUE HOOD WITH FLUE PROTECTION	61400361																					
	FLUE HOOD WITH FLUE PROTECTION	61400362																					
	FLUE HOOD WITH FLUE PROTECTION 18.1	61400363		•																	05/01		
	FLUE HOOD WITH FLUE PROTECTION 26.1	61400364			•																01/02		

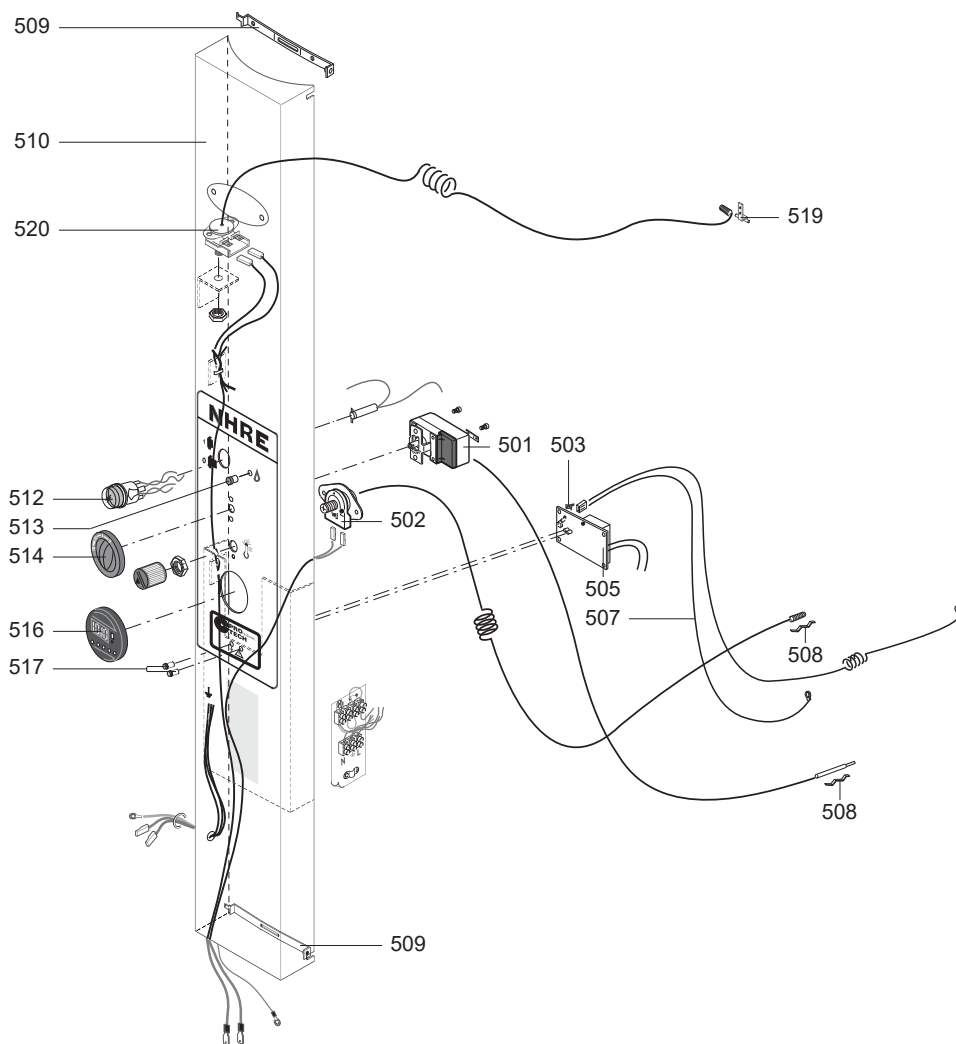


NHRE 18 & 18.1

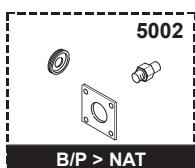
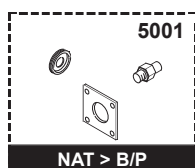
☰	Description	Manf. Pt. N	Type																		
				1	2	3	4	5	6	7	8	9	10	11	12	13	14	15	16	17	18
0300	BURNER ASSEMBLY																				
0311	GAS COLLECTOR	339446					•	•													
	GAS COLLECTOR	339448							•												
	GAS COLLECTOR	339450																	•		
0322	BURNER (NG)	339407	NAT	•																	
	BURNER (NG)	339408	NAT		•																
	BURNER (NG)	339409	NAT				•														
	BURNER (NG)	339411	NAT						•												
	BURNER (NG)	339413	NAT																•		
0323	CASE DOOR (FRONT)	337775		•	•	•	•														
	CASE DOOR (FRONT)	337792																	•		
0324	BURNER (L=560MM)	339328					•	•													
	BURNER (L=600MM)	339327																	•		
	BURNER (PILOT SUPPORT) L=520MM	339331		•	•														•		
	BURNER (WITH L=560MM PILOT SUPPORT)	339329					•	•													
	BURNER L=520MM	339330		•	•			•	•												
0325	THERMOCOUPLE	340327		•																	
	THERMOCOUPLE	990121			•	•	•	•													
0326	PILOT BURNER INLET PIPE	338345					•	•													
	PILOT BURNER INLET PIPE	338347			•														•		
	PILOT BURNER INLET PIPE	338373		•																	
0327	INJECTOR D: 1.70	339458	B/P		•														•		
	INJECTOR D: 1.90	339451	B/P				•	•													
	INJECTOR D: 2.10	339356	B/P																•		
	INJECTOR D: 3.25	339352	NAT					•	•												
	INJECTOR D: 3.65	339353	NAT																•		
	MAIN BURNER JET	339354	B/P	•						•	•								•		
	MAIN BURNER JET	339351	NAT	•	•														•		
0328	BAFFLE PLATE	337049		•	•	•	•														
0329	AIR LIMITER	337041	NAT	•																	
	NG D.26 AIR LIMITER	337534	NAT				•														
	NG D.28 AIR LIMITER	337703	NAT																•		
0330	IGNITER	340019		•	•	•	•	•													
0331	INTAKE (PRESSURE)	346086		•	•	•	•	•													
0332	BURNER SUPPORT	337763		•	•	•	•														
	BURNER SUPPORT	337788																	•		
0333	PIPE (GAS INLET)	338476		•																	
0334	BURNER (PILOT)	339377		•	•	•	•	•													
0335	IGNITION ELECTRODE WITH CABLE	340261		•	•	•	•	•													
0336	BURNER JET (PILOT)	339357	B/P	•	•	•	•	•													
	BURNER JET (PILOT)	289202	NAT	•	•	•	•	•													
0337	SAFETY BLOCK	340081		•																	
0400	GAS SECTION																				
0401	GAS VALVE	340259					•	•	•	•											
	GAS VALVE (LPG)	340366	B/P	•																	
	GAS VALVE (NG)	340365	NAT	•																	
0403	RESTRICTOR D: 10.60	346202	NAT																•		
	RESTRICTOR D: 2.5	346184	NAT	•																	
	RESTRICTOR D: 2.8	346185	B/P	•																	
	RESTRICTOR D: 6.0	346179	NAT				•														
	RESTRICTOR D: 7.50	346177						•													
	RESTRICTOR D: 8.85	346178	NAT																•		
0405	GAS VALVE FLANGE	346084		•	•	•	•	•													
0406	GAS FILTER	340336		•	•	•	•	•													
0407	GAS FILTER CARTRIDGE	340337		•	•	•	•	•													
0408	ELECTROMAGNET	340364		•																	
0410	INTAKE (PRESSURE)	346086					•	•	•	•											

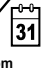
NHRE PROTECH

Storage Gas Water Heaters



5000



☰	Description	Manf. Pt. N	Type																		
				1	2	3	4	5	6	7	8	9	10	11	12	13	14	15	16	17	18
0500	ELECTRICAL BOX																				
0501	THERMOSTAT (REGULATION)	340367			•	•	•	•													
0502	HEAT THERMOSTAT	340358		•	•	•	•	•													
0503	FIXING CLIPS	925296		•	•	•	•	•													
0505	P.C.B. (ANODE - PROTECH)	925348-01		•	•	•	•	•													
0507	CABLE (ELECTRODE - L=300MM)	340410		•	•	•	•	•													
0508	FIXING SPRING (THERMOSTAT)	337544		•	•	•	•	•													
0509	FIXING BRACKET (SWITCHES)	337761		•	•	•	•	•													
0510	CONTROL FACIA	337863		•																	
	CONTROL FACIA	337865					•														
	CONTROL FACIA	337866						•													
	CONTROL PANEL (COMPLETE)	337864			•	•															
0512	BIPOLAR SWITCH	341170			•	•	•	•													
0513	COMPLETE SIGNAL LAMP	341169			•	•	•	•													
0514	THERMOSTAT REGULATION KNOB	397384					•	•													
	THERMOSTAT REGULATION KNOB	397417			•	•															
0516	TIMER OPENING COVER	342070			•	•	•	•													
0517	SIGNAL LAMP CAP	341300		•	•	•	•	•													
0519	THERMAL PROTECTION BRACKET	337779		•	•	•	•	•													
0520	HEAT SENOR	340393		•															05/01		
	HEAT THERMOSTAT	340358		•															04/01		
	HEAT THERMOSTAT	340358		•	•	•	•	•													
5000	ACCESSORIES																				
5001	CONVERSION KIT NAT > LPG	60000319		•																	
	CONVERSION KIT NAT > LPG	60000320			•																
	CONVERSION KIT NAT > LPG	60000321				•															
	CONVERSION KIT NAT > LPG	60000323					•														
	CONVERSION KIT NAT > LPG	60000325						•													
5002	CONVERSION KIT LPG > NAT	60000326		•																	
	CONVERSION KIT LPG > NAT	60000327			•																
	CONVERSION KIT LPG > NAT	60000328				•															
	CONVERSION KIT LPG > NAT	60000330					•														
	CONVERSION KIT LPG > NAT	60000332						•													

NHRE PROTECH

Storage Gas Water Heaters

LIST OF THE ABBREVIATIONS

HW	: Hot water.
CW	: Cold water.
C	: Ceramic resistance (normal heating).
Ca	: Ceramic resistance (accelerated heating)
TP	: Immersion heater.
1F	: With fittings.
2F	: Without fittings.
3F	: With fittings and another outlet connection.
AMI	: With mixing valve.
SMI	: Without mixing valve.
PUISS	: Power of th appliance.
PN	: Appliance with normal pression.
LP	: Appliance with low pression.
PV	: Appliance with variable power.
PF	: Appliance with fixed power.

IDENTIFICATION PLATE

SERIAL NUMBER

12 Characters :	924 2 3 134 0115	
Product reference	_____	Sequential number
Year of manufacture	_____	Manufacturing day
15 Characters :	03 126 0001 893077	
Year of manufacture	_____	Product reference
Manufacturing day	_____	Sequential number
9 Characters :	D 97 442118	
Month of manufacture : A → January, B → February C → March, etc...	_____	Sequential number
	_____	Year of manufacture
10 Characters :	05 01 000001	
Year of manufacture	_____	Sequential number
	_____	Month of manufacture
11 Characters :	05 09 0093320	
Year of manufacture	_____	Sequential number
	_____	Month of manufacture
21 Characters :	3000115 XX 08115 0000001	
Product reference	_____	Sequential number
	_____	Year (08) / Manufacturing day (115)
22 Characters :	3000115 XX 070416 0000001	
Product reference	_____	Sequential number
	_____	Year (07) / Month (04) / Manufacturing day (16)

The indications mentioned on the prices, commercial or technical literature and the scheme are written for your guidance and are available at a given time. The CONSTRUCTOR retains the power to modify the presentation, the form, the size, the conception or the material of the products.