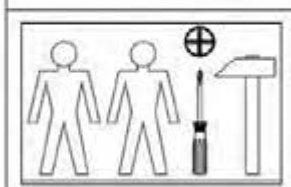
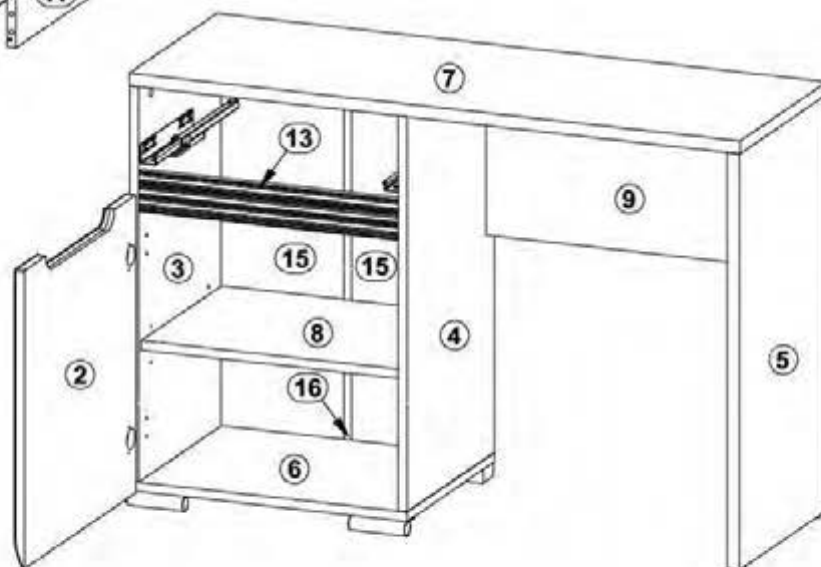
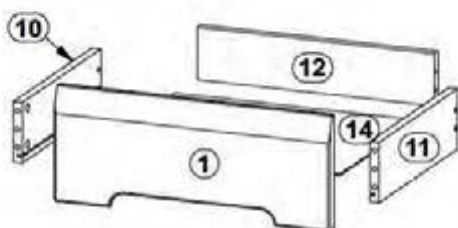
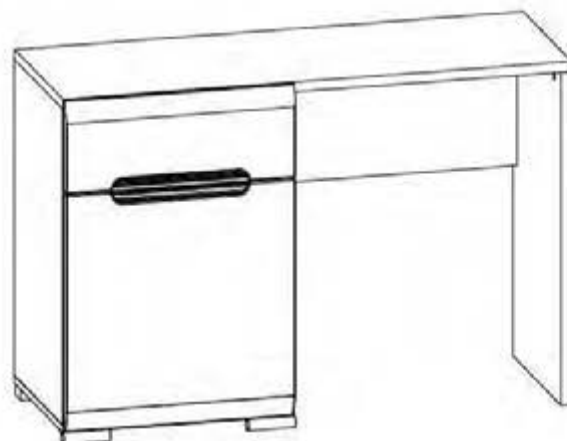


A	B	C	D	
1	S205 026	496	200	2/3
2	S205 044	518	496	2/3
3	S205 158	687	390	1/3
4	S205 159	687	390	1/3
5	S205 160	723	390	1/3
6	S205 220	500	390	1/3
7	S205 236	1100	390	1/3
8	S205 329	466	360	1/3
9	S205 415	578	300	1/3
10	S205 501	350	105	1/3
11	S205 502	350	105	1/3
12	S205 509	427	91	1/3
13	S205 574	467	70	2/3
14	S205 920	441	358	1/3
15	S205 921	697	238	1/3
16	Lh 680	680	14	1/3



2x a102	2x b59	4x p51 ø2.5x15 mm	10x p38 ø2.5x18 mm	6x s2 ø5	8x s4 ø6x17 mm	4x d1 ø4x35 mm	4x k1	1x z1
8x e1 ø2x30 mm	8x e3 ø6x13 mm	16x f1 ø6x30 mm	2x k84	2x k85	10x l2	4x p6 ø4x35 mm	2x 50 mm w117L	2x 50 mm w117P
2x p55 ø2.5x18 mm	14x r1 ø1.5x12 mm #16	2x r3 ø1.5x15 mm #22	16x r42					

1 

