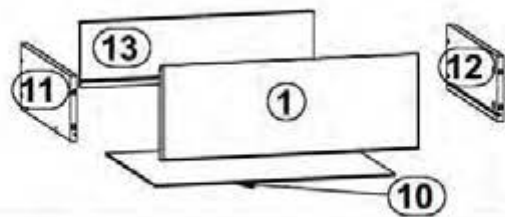
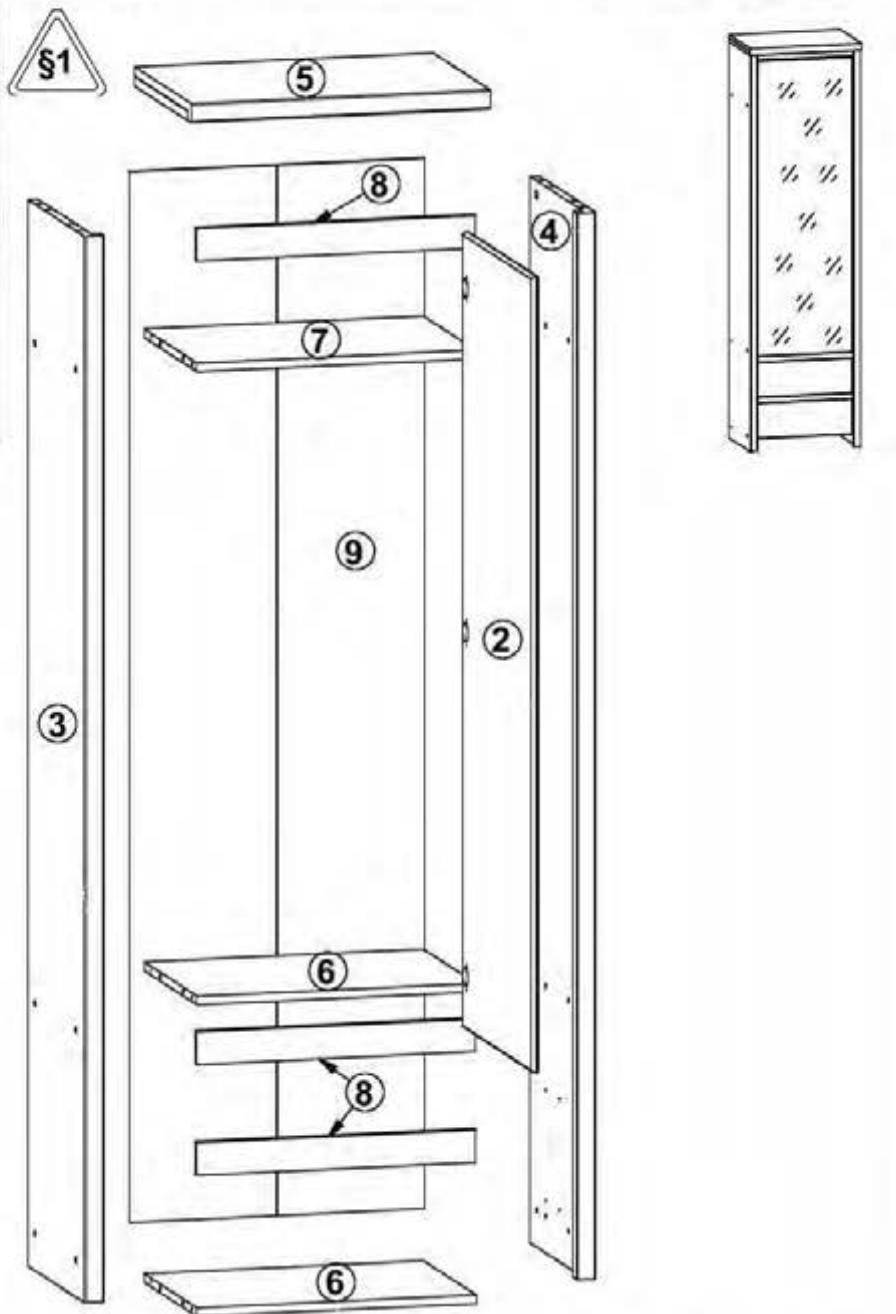
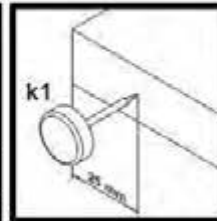
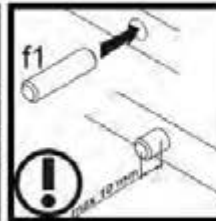
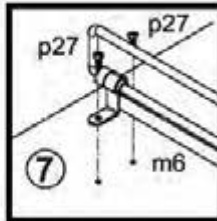
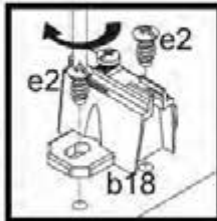
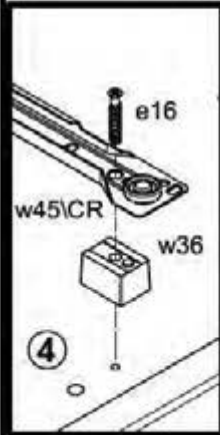
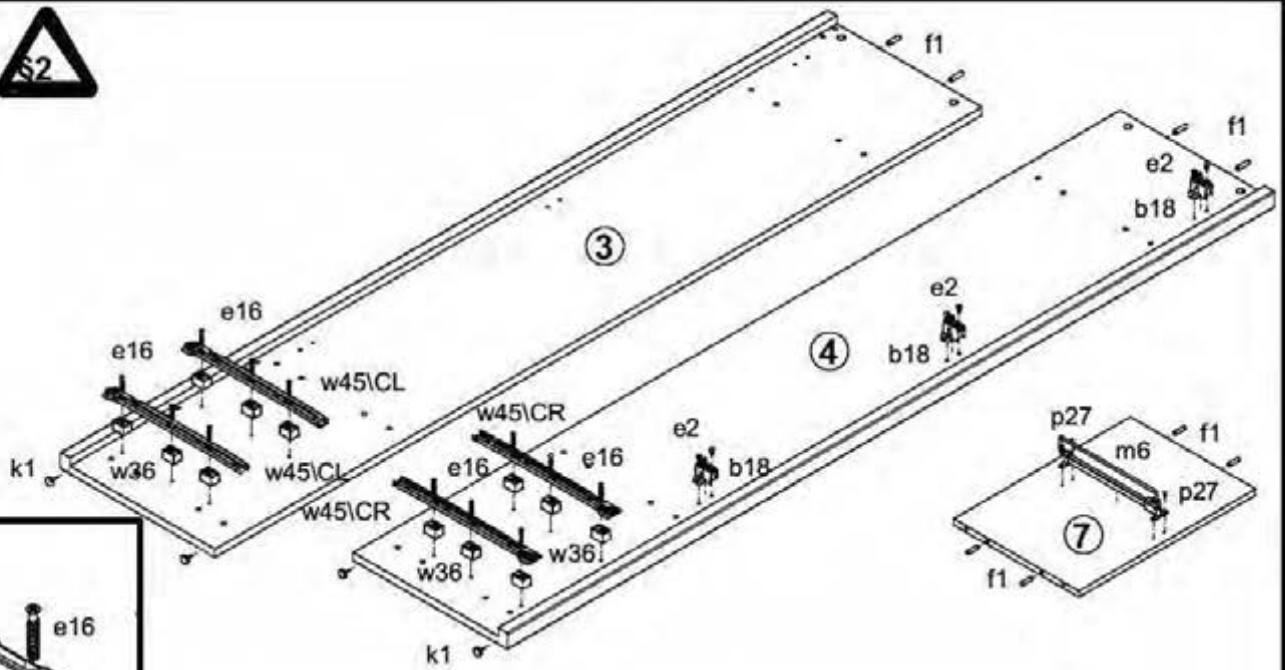


| A | B | C | D | |
|----|------------|------|-----|-----|
| 1 | S128 0004 | 482 | 176 | 3/4 |
| 2 | S128 0013A | 1468 | 482 | 4/4 |
| 3 | S128 122 | 1964 | 396 | 1/4 |
| 4 | S128 123 | 1964 | 396 | 1/4 |
| 5 | S128 203 | 560 | 399 | 2/4 |
| 6 | S128 304 | 523 | 370 | 2/4 |
| 7 | S128 313 | 523 | 370 | 2/4 |
| 8 | S128 405 | 523 | 60 | 2/4 |
| 9 | S128 904 | 1935 | 553 | 1/4 |
| 10 | S128 9905 | 440 | 348 | 2/4 |
| 11 | BP 503 | 350 | 120 | 2/4 |
| 12 | BP 504 | 350 | 120 | 2/4 |
| 13 | ZP 5502 | 430 | 120 | 2/4 |

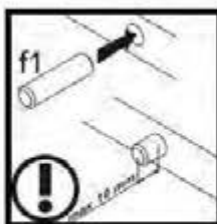
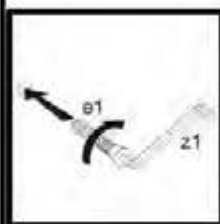
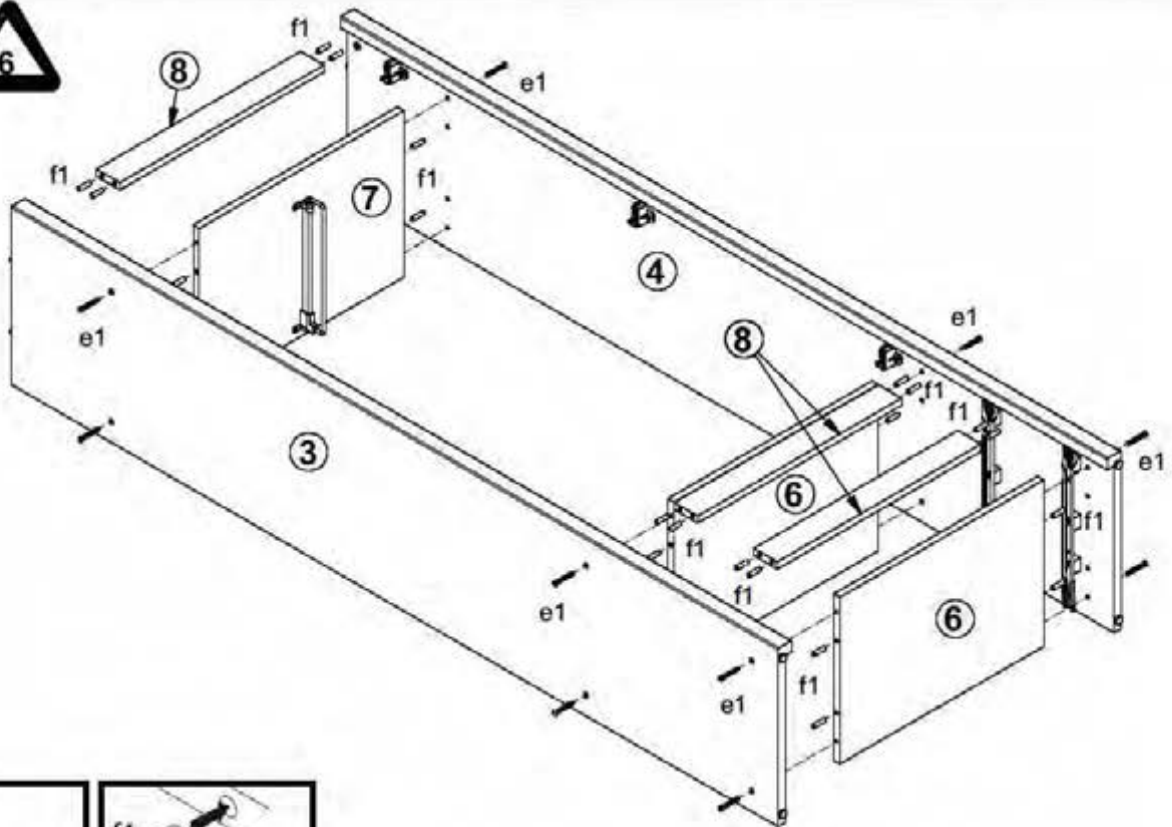


| | | | | | | | | |
|------------------|--------------------|------------------|----------------|-----------------|----------------|----------------|------------------|--------------|
| 3x a43 | 3x b18 | 12x e1 | 12x e16 | 8x e19 | 6x e2 | 28x f1 | 8x f25 | 4x k1 |
| 56x l1 | 1x L-300 m6 | 4x p27 | 6x p51 | 12x r1 | 12x r42 | 12x w36 | 2x w45\CL | |
| 2x w45\CR | 2x w45\DL | 2x w45\DR | 1x z1 | 1x n26\l | 1x p38 | 12x s1 | 4x s2 | |

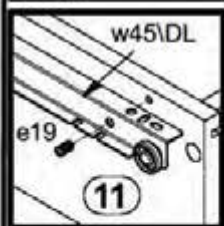
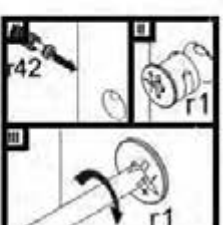
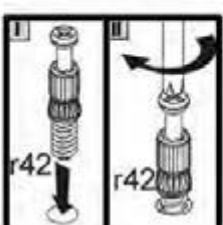
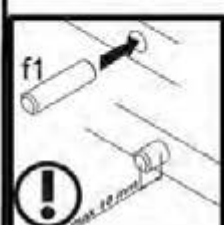
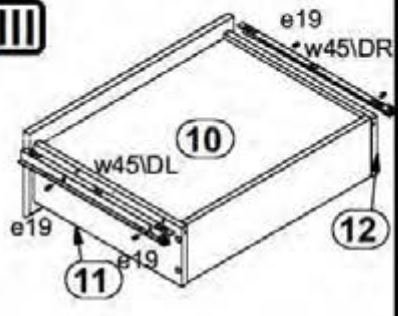
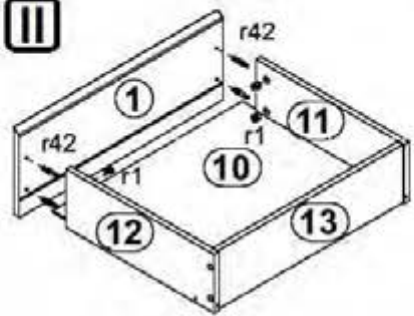
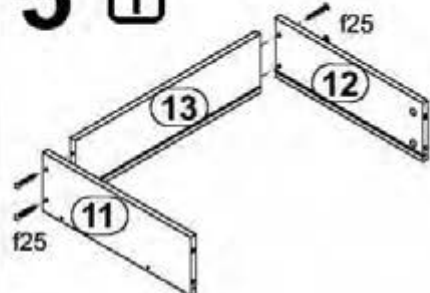
1



2



5



6

