

SPARE PARTS EXPLODED VIEW STORAGE GAS WATER HEATERS

Model

NHRE PROTECH

R8202820-05 - 09/11/2016

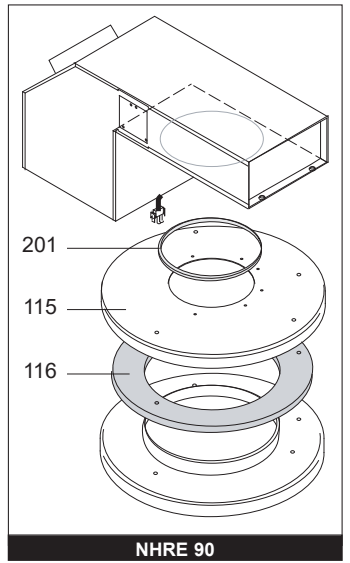
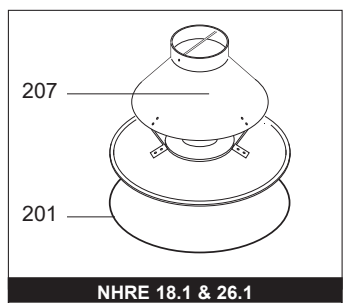
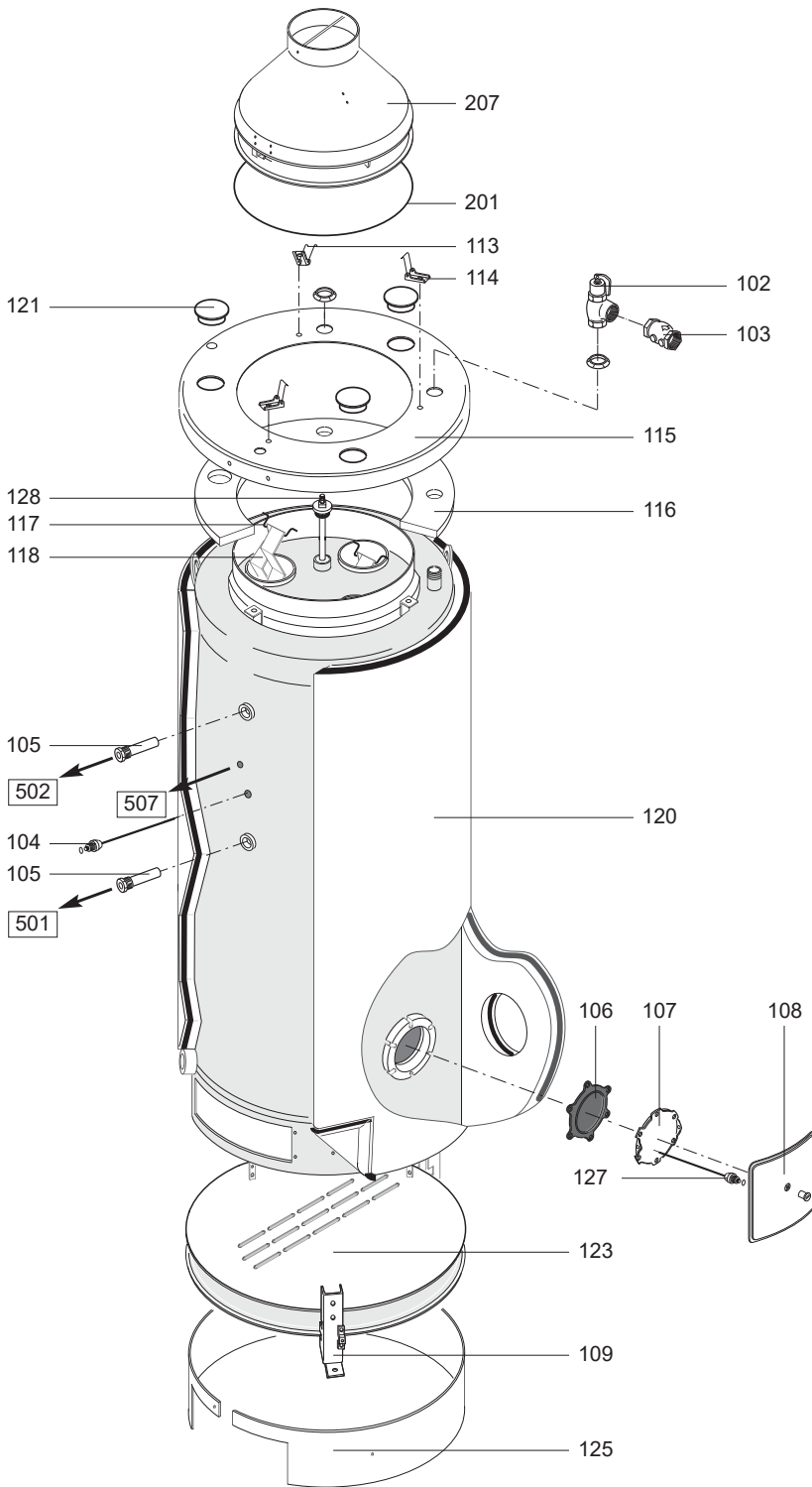
EN | FR | IT | ES | DE | NL

NHRE PROTECH

Storage Gas Water Heaters

1	006480	NHRE 18 ARISTON	03-1998	-
1	006485	NHRE 18 RADI	03-1998	11-2009
1	006490	NHRE 18 SITAM	03-1998	11-2009
1	006495	NHRE 18 SIMAT	03-1998	03-2008
2	006481	NHRE 26 ARISTON	03-1998	-
2	006486	NHRE 26 RADI	03-1998	11-2009
2	006491	NHRE 26 SITAM	03-1998	11-2009
2	006496	NHRE 26 SIMAT	03-1998	03-2008
3	006482	NHRE 36 ARISTON	03-1998	-
3	006487	NHRE 36 RADI	03-1998	11-2009
3	006492	NHRE 36 SITAM	03-1998	11-2009
3	006497	NHRE 36 SIMAT	03-1998	03-2008
4	006483	NHRE 60 ARISTON	03-1998	-
4	006488	NHRE 60 RADI	03-1998	11-2009
4	006493	NHRE 60 SITAM	03-1998	11-2009
4	006498	NHRE 60 SIMAT	03-1998	03-2008
5	006484	NHRE 90 ARISTON	03-1998	-
5	006489	NHRE 90 RADI	03-1998	11-2009
5	006494	NHRE 90 SITAM	03-1998	11-2009
5	006499	NHRE 90 SIMAT	03-1998	03-2008

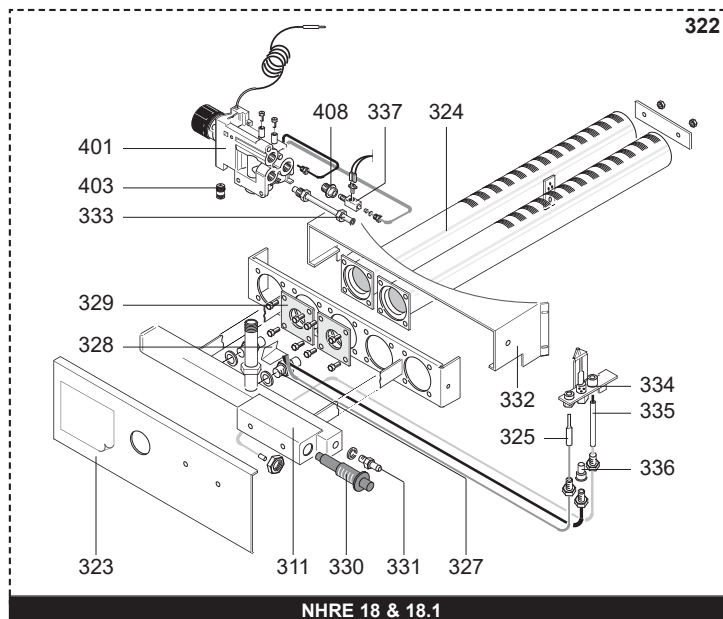
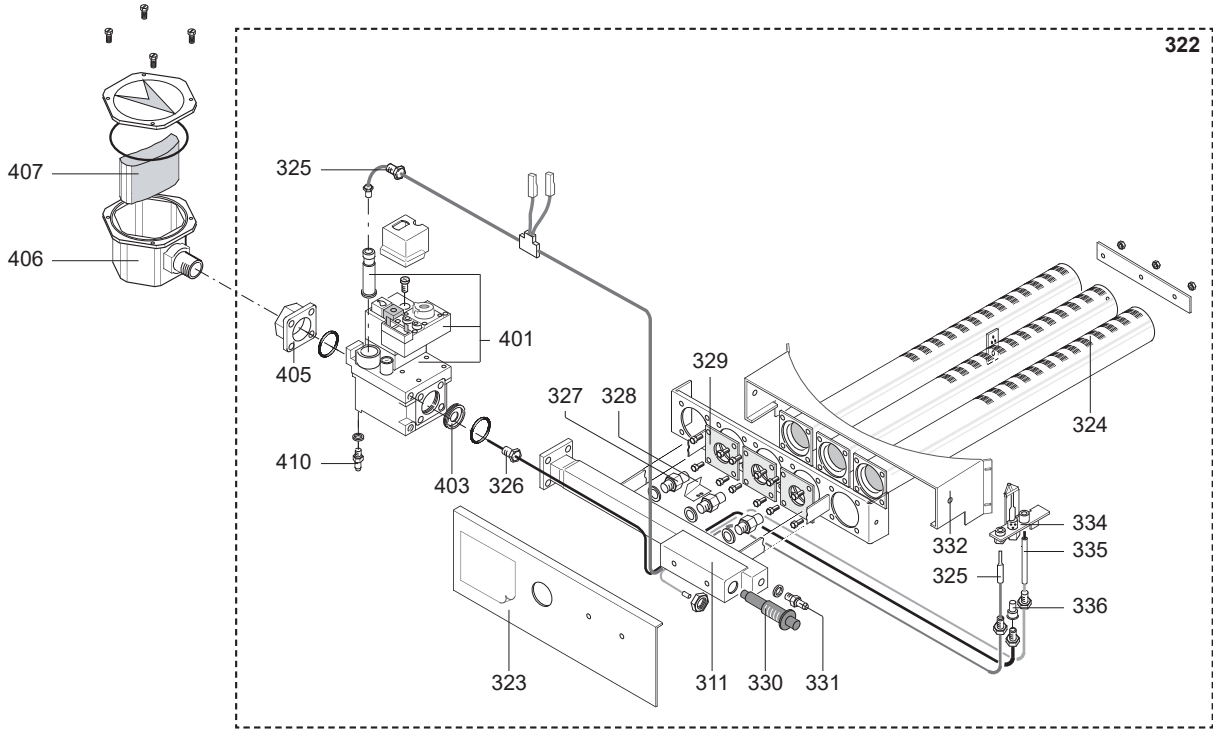
Col	Reference	Model type	Begin	End
-----	-----------	------------	-------	-----



ID	Description	Manf. Pt. N	Type	NHRE Model																		31				
				1	2	3	4	5	6	7	8	9	10	11	12	13	14	15	16	17	18	From	to			
0100	FRONT CASE																									
0102	PRESSURE RELIEF VALVE	340001						●	●																	
	PRESSURE RELIEF VALVE	340005		●	●																					
	PRESSURE RELIEF VALVE	340258																						●		
0103	NOT RETURN VALVE	340003		●	●	●	●																			
	ONE WAY VALVE	340184																						●		
0104	ANODE (PROTECH)	340407		●	●	●	●	●	●																	
0105	SHEATH (THERMOSTAT)	338328		●	●	●	●	●	●																	
0106	FLANGE GASKET D.106	290139	PROTECH	●	●	●	●	●	●																	
	GASKET (INSPECTION FLANGE)	343356		●	●	●	●	●	●																	
0107	FLANGE D:110 (ANODE PROTECH)	61400338	PROTECH	●	●	●	●	●	●																	
	INSPECTION FLANGE	397399		●	●	●	●	●	●																	
0108	COVER (INSPECTION)	342068		●	●	●	●	●	●																	
0109	FOOT	336648		●	●	●	●	●	●																	
0113	FIXING BRACKET (UPPER COVER)	337468		●	●	●	●	●	●																	
0114	FIXING BRACKET (FLUE HOOD)	337760		●	●	●	●	●	●																	
0115	UPPER COVER	337459																						●		
	UPPER COVER	337917		●	●	●	●	●	●																	
0116	INSULATING PANEL	343469																						●		
	INSULATING PANEL	343489		●	●	●	●	●	●																	
0117	FLUE BAFFLE SUPPORT	338394		●	●	●	●	●	●																	
0118	FLUE BAFFLE	337831		●																						04/01
	FLUE BAFFLE	337833					●																			
	FLUE BAFFLE	337834								●																
	FLUE BAFFLE	337913																						●		
	FLUE BAFFLE	337954		●																						05/01
	FLUE BAFFLE	337963			●																					01/02
0120	OUTER COVERING	343464		●																						
	OUTER COVERING	343465				●	●																			
	OUTER COVERING	343467																						●		
0121	ANODE PLUG CAP	342066		●	●	●	●	●	●																	
0123	AIR GRATE	337638				●	●																			
	AIR GRATE	337769		●																						
	AIR GRATE	337789																						●		
0125	LOWER COVER	337765		●	●	●	●	●	●																	
	LOWER COVER	337802																						●		
0127	ANODE (PROTECH)	340406		●	●	●	●	●	●																	
0128	KIT DRAIN SCREW + ANODE	60001635-01		●	●	●	●	●	●																	07/10
0200	FAN ASSEMBLY																									
0201	BACKFLOW HOOD GASKET	343344																						●		
	GASKET (FLUE HOOD)	343006		●	●	●	●	●	●																	
0207	FLUE HOOD WITH FLUE PROTECTION	61400358		●																						04/01
	FLUE HOOD WITH FLUE PROTECTION	61400360						●																		
	FLUE HOOD WITH FLUE PROTECTION	61400361																						●		
	FLUE HOOD WITH FLUE PROTECTION	61400362																						●		
	FLUE HOOD WITH FLUE PROTECTION 18.1	61400363		●																						05/01
	FLUE HOOD WITH FLUE PROTECTION 26.1	61400364			●																					01/02

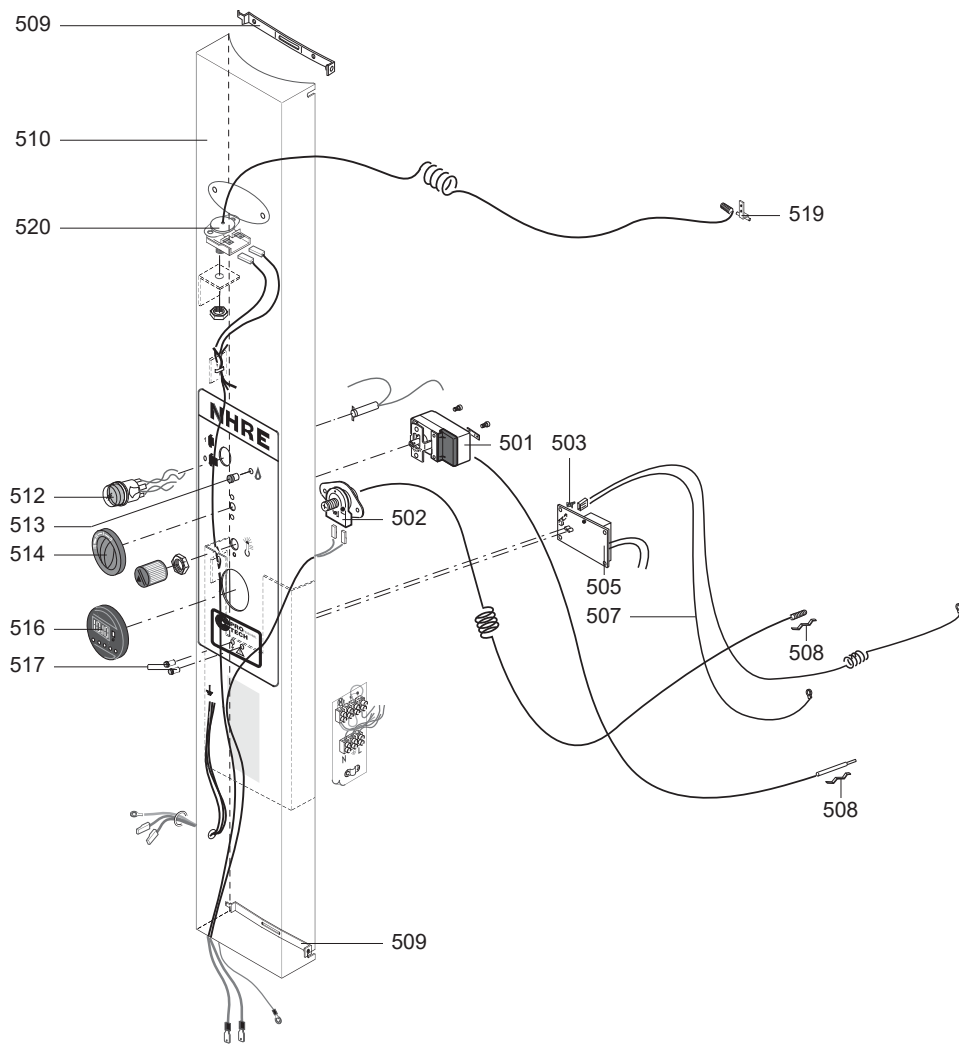
NHRE PROTECH

Storage Gas Water Heaters

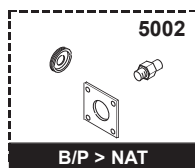
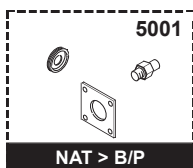


NHRE 18 & 18.1

☞	Description	Manf. Pt. N	Type	NHRE 18 NHRE 26 NHRE 36 NHRE 60 NHRE 90																		From	to
				1	2	3	4	5	6	7	8	9	10	11	12	13	14	15	16	17	18		
0300	BURNER ASSEMBLY																						
0311	GAS COLLECTOR	339446			•	•																	
	GAS COLLECTOR	339448					•																
	GAS COLLECTOR	339450						•															
0322	BURNER (NG)	339407	NAT	•																			
	BURNER (NG)	339408	NAT		•																		
	BURNER (NG)	339409	NAT			•																	
	BURNER (NG)	339411	NAT				•																
	BURNER (NG)	339413	NAT					•															
0323	CASE DOOR (FRONT)	337775		•	•	•	•																
	CASE DOOR (FRONT)	337792						•															
0324	BURNER (L=560MM)	339328					•	•															
	BURNER (L=600MM)	339327						•															
	BURNER (PILOT SUPPORT) L=520MM	339331		•	•																		
	BURNER (WITH L=560MM PILOT SUPPORT)	339329					•	•															
	BURNER L=520MM	339330		•	•			•															
0325	THERMOCOUPLE	340327		•																			
	THERMOCOUPLE	990121			•	•	•	•															
0326	PILOT BURNER INLET PIPE	338345					•	•															
	PILOT BURNER INLET PIPE	338347			•																		
	PILOT BURNER INLET PIPE	338373		•																			
0327	INJECTOR D: 1.70	339458	B/P		•																		
	INJECTOR D: 1.90	339451	B/P				•	•															
	INJECTOR D: 2.10	339356	B/P					•															
	INJECTOR D: 3.25	339352	NAT					•	•														
	INJECTOR D: 3.65	339353	NAT						•														
	MAIN BURNER JET	339354	B/P	•					•	•													
	MAIN BURNER JET	339351	NAT	•	•				•	•													
0328	BAFFLE PLATE	337049		•	•	•	•																
0329	AIR LIMITER	337041	NAT	•																			
	NG D.26 AIR LIMITER	337534	NAT			•																	
	NG D.28 AIR LIMITER	337703	NAT						•	•													
0330	IGNITER	340019		•	•	•	•	•															
0331	INTAKE (PRESSURE)	346086		•	•	•	•	•															
0332	BURNER SUPPORT	337763		•	•	•	•																
	BURNER SUPPORT	337788							•														
0333	PIPE (GAS INLET)	338476		•																			
0334	BURNER (PILOT)	339377		•	•	•	•	•															
0335	IGNITION ELECTRODE WITH CABLE	340261		•	•	•	•	•															
0336	BURNER JET (PILOT)	339357	B/P	•	•	•	•	•															
	BURNER JET (PILOT)	289202	NAT	•	•	•	•	•															
0337	SAFETY BLOCK	340081		•																			
0400	GAS SECTION																						
0401	GAS VALVE	340259				•	•	•	•														
	GAS VALVE (LPG)	340366	B/P	•																			
	GAS VALVE (NG)	340365	NAT	•																			
0403	RESTRICTOR D: 10.60	346202	NAT								•												
	RESTRICTOR D: 2.5	346184	NAT	•																			
	RESTRICTOR D: 2.8	346185	B/P	•																			
	RESTRICTOR D: 6.0	346179	NAT			•																	
	RESTRICTOR D: 7.50	346177					•																
	RESTRICTOR D: 8.85	346178	NAT							•													
0405	GAS VALVE FLANGE	346084		•	•	•	•	•															
0406	GAS FILTER	340336		•	•	•	•	•															
0407	GAS FILTER CARTRIDGE	340337		•	•	•	•	•															
0408	ELECTROMAGNET	340364		•																			
0410	INTAKE (PRESSURE)	346086				•	•	•	•														



5000



☐	Description	Manf. Pt. N	Type	NHRE 18 NHRE 26 NHRE 36 NHRE 60 NHRE 90																		From	to	
				1	2	3	4	5	6	7	8	9	10	11	12	13	14	15	16	17	18			
0500	ELECTRICAL BOX																							
0501	THERMOSTAT (REGULATION)	340367			●	●	●	●																
0502	HEAT THERMOSTAT	340358		●	●	●	●	●																
0503	FIXING CLIPS	925296		●	●	●	●	●																
0505	P.C.B. (ANODE - PROTECH)	925348-01		●	●	●	●	●																
0507	CABLE (ELECTRODE - L=300MM)	340410		●	●	●	●	●																
0508	FIXING SPRING (THERMOSTAT)	337544		●	●	●	●	●																
0509	FIXING BRACKET (SWITCHES)	337761		●	●	●	●	●																
0510	CONTROL FACIA	337863		●																				
	CONTROL FACIA	337865						●																
	CONTROL FACIA	337866							●															
	CONTROL PANEL (COMPLETE)	337864			●	●																		
0512	BIPOLAR SWITCH	341170			●	●	●	●																
0513	COMPLETE SIGNAL LAMP	341169			●	●	●	●																
0514	THERMOSTAT REGULATION KNOB	397384						●	●															
	THERMOSTAT REGULATION KNOB	397417			●	●																		
0516	TIMER OPENING COVER	342070			●	●	●	●	●															
0517	SIGNAL LAMP CAP	341300		●	●	●	●	●																
0519	THERMAL PROTECTION BRACKET	337779		●	●	●	●	●																
0520	HEAT SENOR	340393		●																			05/01	
	HEAT THERMOSTAT	340358		●																				04/01
	HEAT THERMOSTAT	340358			●	●	●	●																
5000	ACCESSORIES																							
5001	CONVERSION KIT NAT > LPG	60000319		●																				
	CONVERSION KIT NAT > LPG	60000320			●																			
	CONVERSION KIT NAT > LPG	60000321				●																		
	CONVERSION KIT NAT > LPG	60000323					●																	
	CONVERSION KIT NAT > LPG	60000325						●																
5002	CONVERSION KIT LPG > NAT	60000326		●																				
	CONVERSION KIT LPG > NAT	60000327			●																			
	CONVERSION KIT LPG > NAT	60000328				●																		
	CONVERSION KIT LPG > NAT	60000330					●																	
	CONVERSION KIT LPG > NAT	60000332						●																

NHRE PROTECH

Storage Gas Water Heaters

LIST OF THE ABBREVIATIONS

HW	: Hot water.
CW	: Cold water.
C	: Ceramic resistance (normal heating).
Ca	: Ceramic resistance (accelerated heating)
TP	: Immersion heater.
1F	: With fittings.
2F	: Without fittings.
3F	: With fittings and another outlet connection.
AMI	: With mixing valve.
SMI	: Without mixing valve.
PUISS	: Power of th appliance.
PN	: Appliance with normal pression.
LP	: Appliance with low pression.
PV	: Appliance with variable power.
PF	: Appliance with fixed power.

IDENTIFICATION PLATE

SERIAL NUMBER

12 Characters :	924 2 3 134 0115	
Product reference	924 2 3	Sequential number
Year of manufacture	134 0115	Manufacturing day
15 Characters :	03 126 0001 893077	
Year of manufacture	03 126	Product reference
Manufacturing day	0001 893077	Sequential number
9 Characters :	D 97 442118	
Month of manufacture : A → January, B → February C → March, etc...	D 97	Sequential number
	442118	Year of manufacture
10 Characters :	05 01 000001	
Year of manufacture	05 01	Sequential number
	000001	Month of manufacture
11 Characters :	05 09 0093320	
Year of manufacture	05 09	Sequential number
	0093320	Month of manufacture
21 Characters :	3000115 XX 08115 0000001	
Product reference	3000115 XX	Sequential number
	08115 0000001	Year (08) / Manufacturing day (115)
22 Characters :	3000115 XX 070416 0000001	
Product reference	3000115 XX	Sequential number
	070416 0000001	Year (07) / Month (04) / Manufacturing day (16)

The indications mentioned on the prices, commercial or technical literature and the scheme are written for your guidance and are available at a given time. The CONSTRUCTOR retains the power to modify the presentation, the form, the size, the conception or the material of the products.