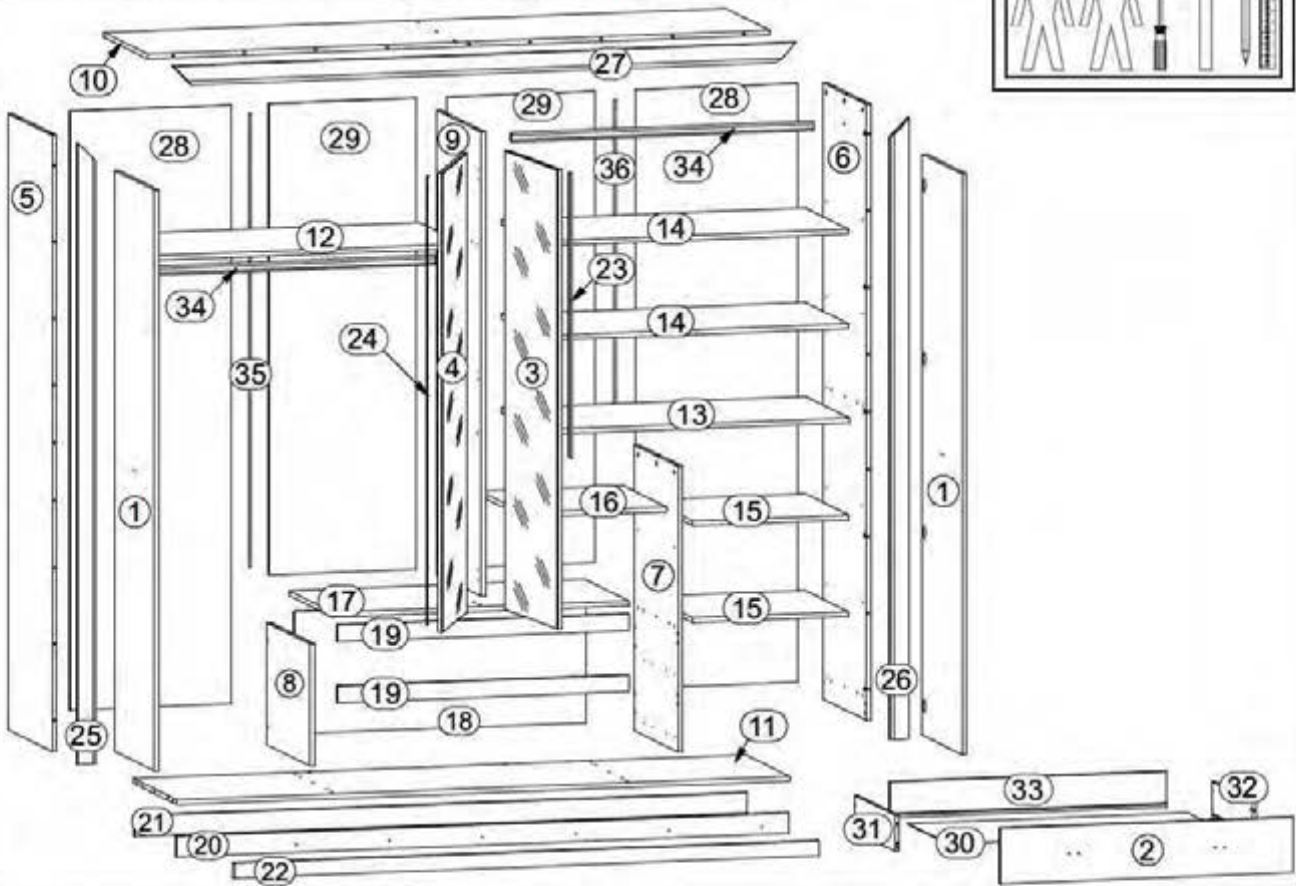
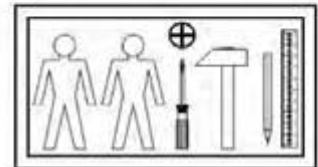
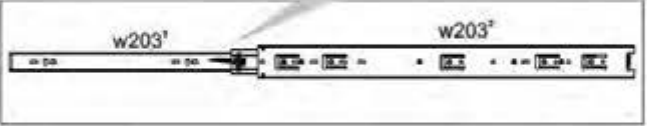
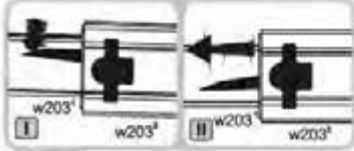
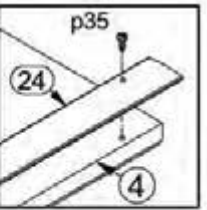
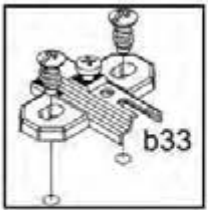
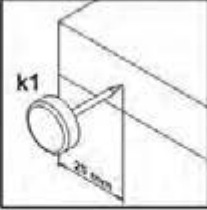
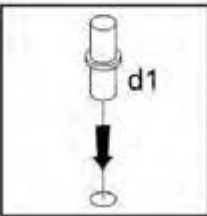
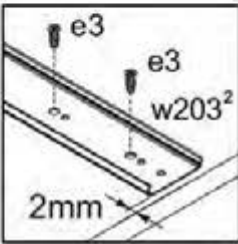
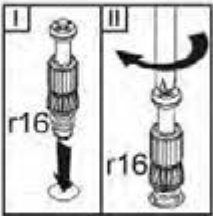
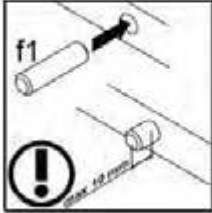
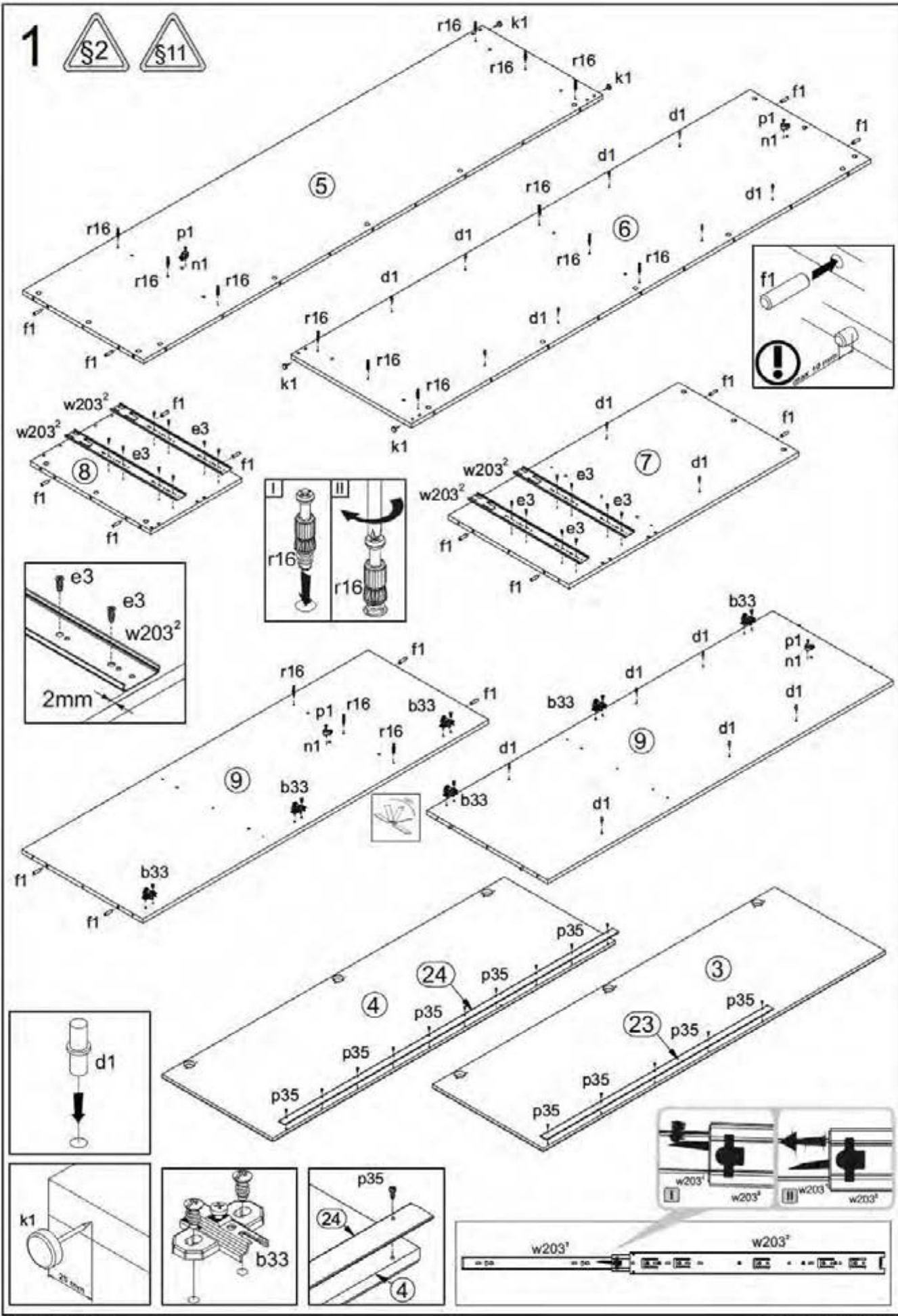


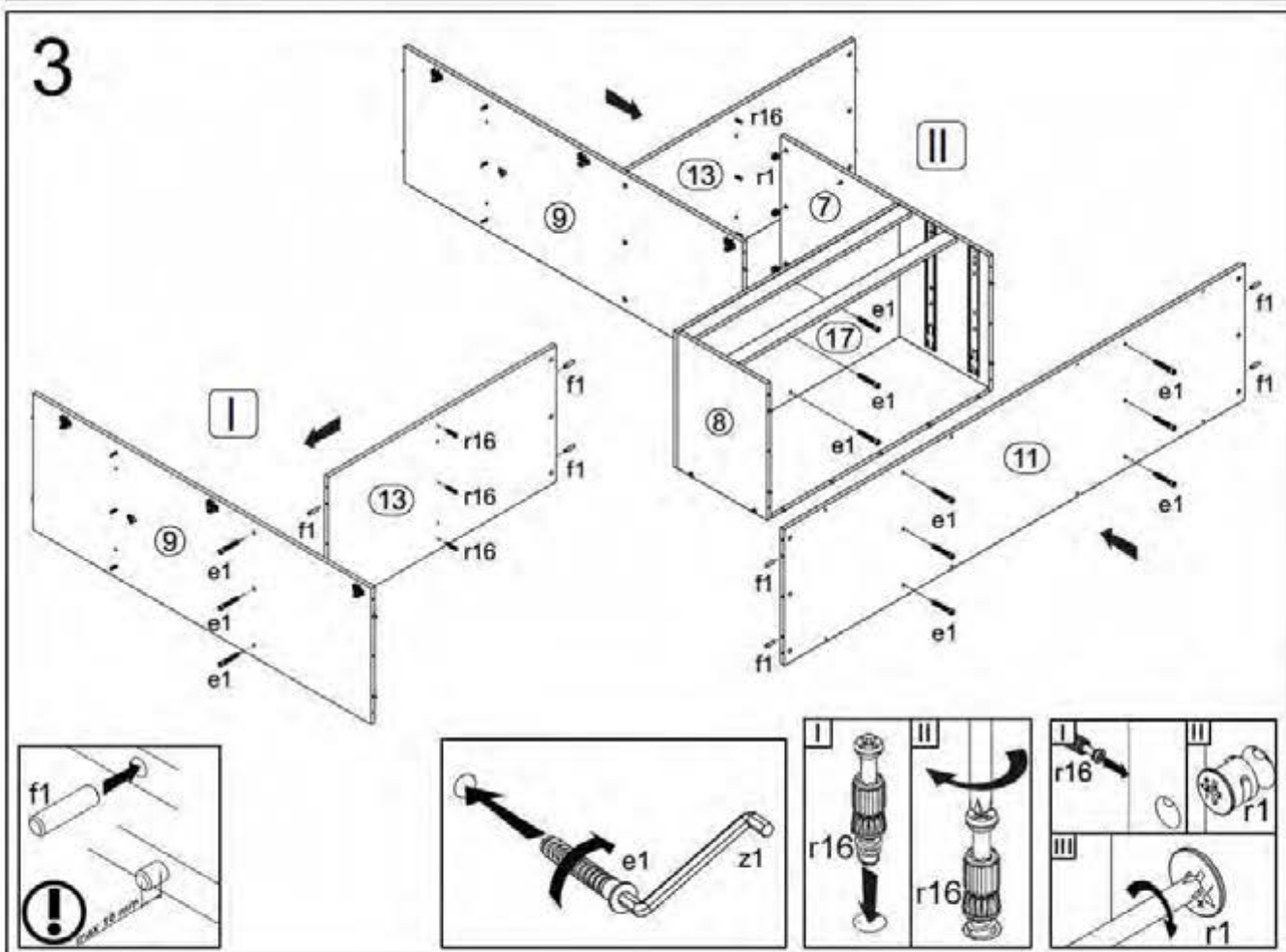
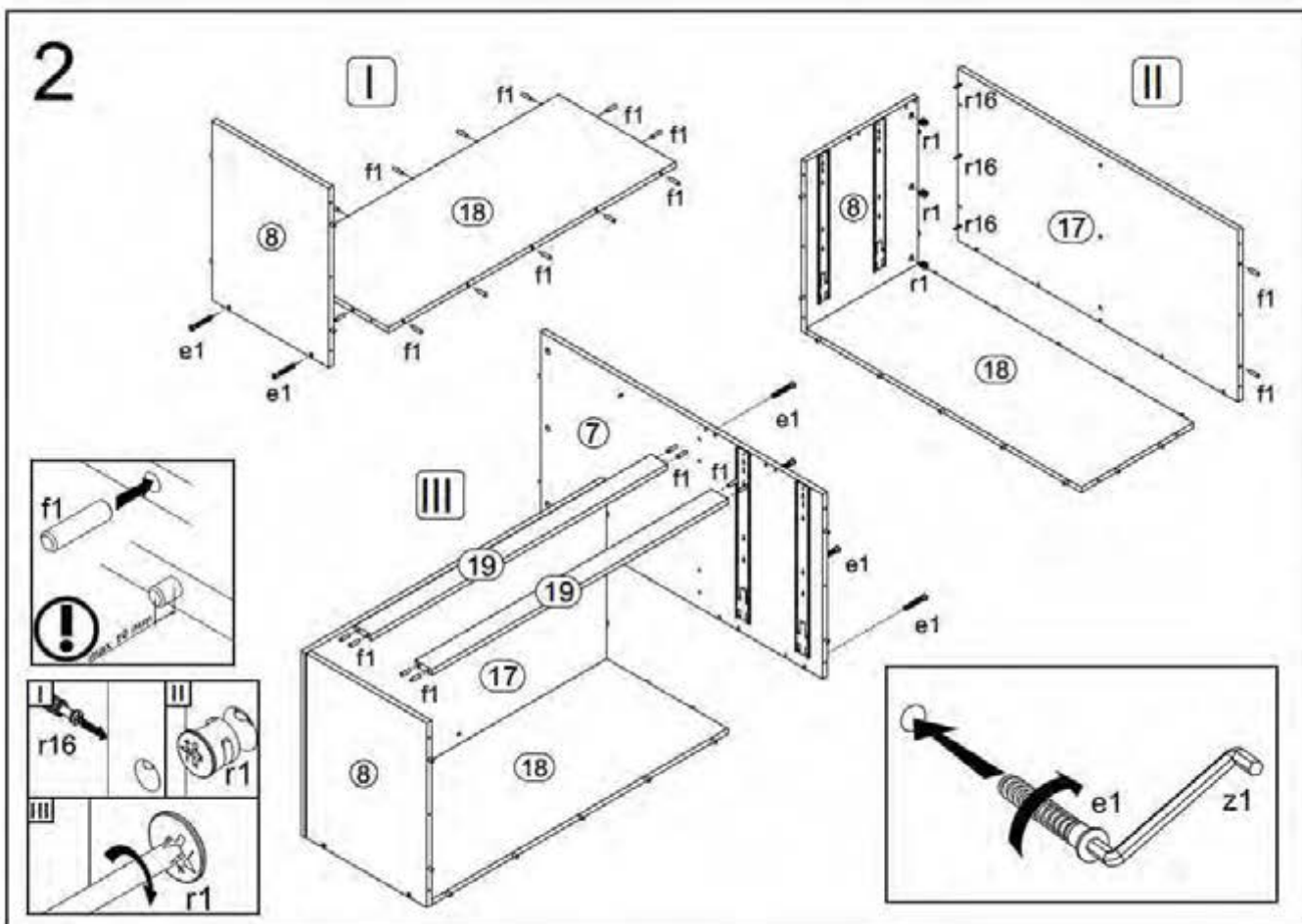
A	B	C	D	A	B	C	D		
1	S136 0013	1940	488	6/7	19	S136 432	1000	56	2/7
2	S136 0051	1004	185	6/7	20	S136 430	2105	68	2/7
3	S136 0024	1534	498	7/7	21	S136 429	2105	68	2/7
4	S136 0017	1534	498	7/7	22	S136 431	2009	50	2/7
5	S136 144	2058	540	1/7	23	S136 507	950	29	1/7
6	S136 163	2058	540	1/7	24	S136 505	1498	29	1/7
7	S136 1118	954	540	2/7	25	S136 593	2075	65	5/7
8	S136 1119	408	540	2/7	26	S136 594	2075	65	5/7
9	S136 161	1550	540	1/7	27	S136 598	2139	65	5/7
10	S136 219	2138	540	2/7	28	S136 919	2000	556	1/7
11	S136 329	2105	540	2/7	29	S136 925	1575	508	1/7
12	S136 319	1044	535	3/7	30	S136 941	957	498	4/7
13	S136 331	1044	540	3/7	31	S136 5509	500	120	4/7
14	S136 332	1044	535	3/7	32	S136 5510	500	120	4/7
15	S136 321	535	535	4/7	33	S136 5519	942	120	4/7
16	S136 333	492	535	4/7	34	DR 1039	1039	24	3/7
17	S136 330	1017	540	3/7	35	LH 1549	1549	14	1/7
18	S136 5566	1000	408	3/7	36	LH 1003	1003	14	1/7



8x  a99	6x  a68	8x  b43	6x  b33	6x  c317	20x  d1 φ5x17 mm	22x  e1 φ7x9 mm
16x  e2 φ5,5x13 mm	16x  e3 φ6x13 mm	12x  e19 φ5x9 mm	8x  e32 φ5x50 mm	82x  f1 φ6x10 mm	12x  j30 14x22 mm	8x  k1
170x  l1	4x  n1	1x  n2611	1x  n899	4x  p1 φ3,5x13 mm	8x  p25 φ3,5x10 mm	15x  p35 φ3,5x10 mm
1x  p38 φ3,5x16 mm	28x  p51 φ3,5x15 mm	4x  p54 φ3x12 mm	7x  p94 φ4x28 mm	16x  p140 φ3,5x12 mm	54x  r1 φ1,5x12mm 116	2x  r10
50x  r16 20/9	32x  s2 φ16	4x  t17 483mm	4x  w203 <sup>1</sup> 500 mm	4x  w203 <sup>2</sup> 500 mm	1x  z1	

1

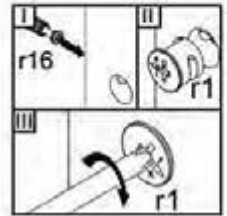
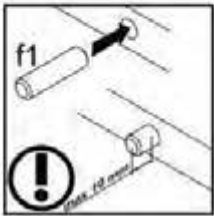
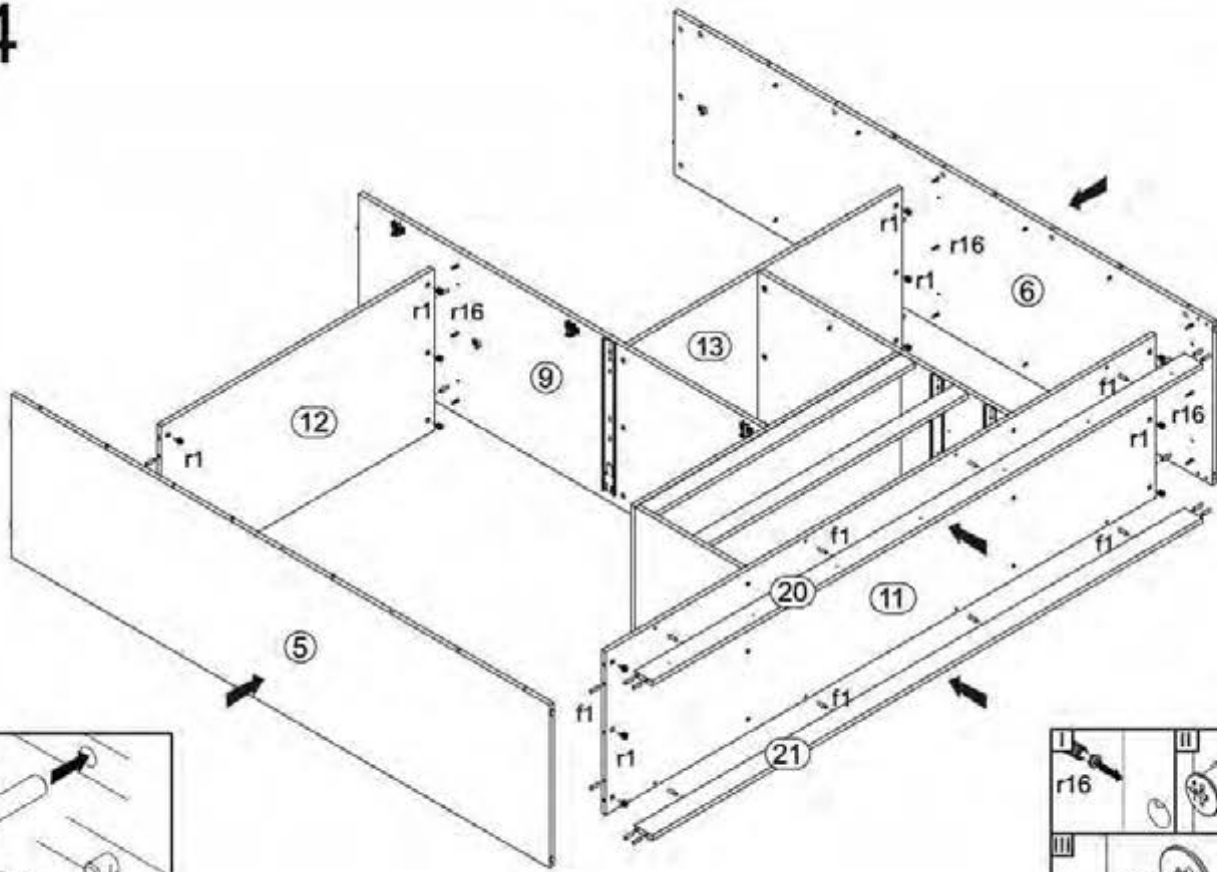




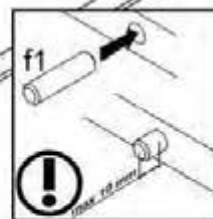
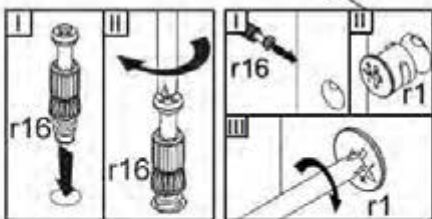
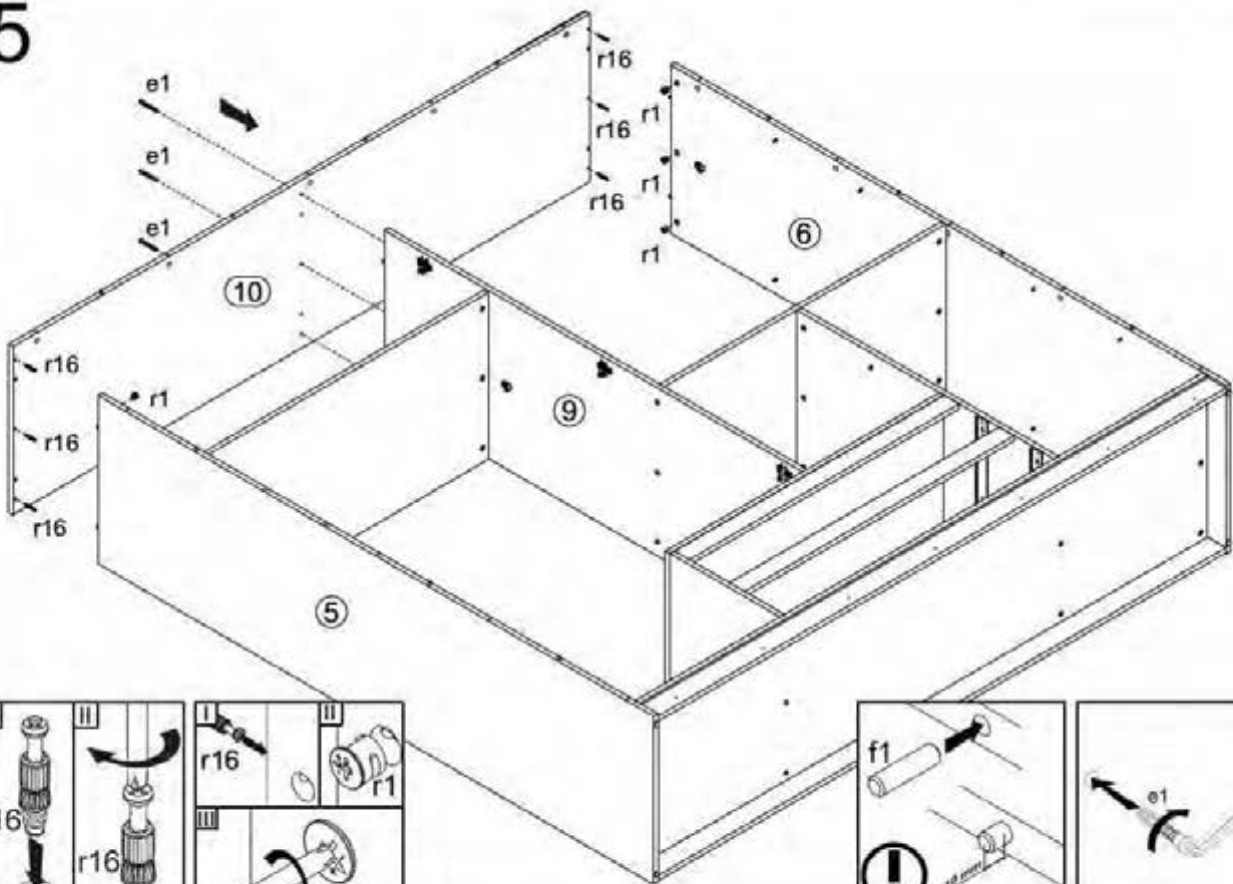
Сосна каньон

Шафа / Шкаф SZF4D2S

# 4



# 5

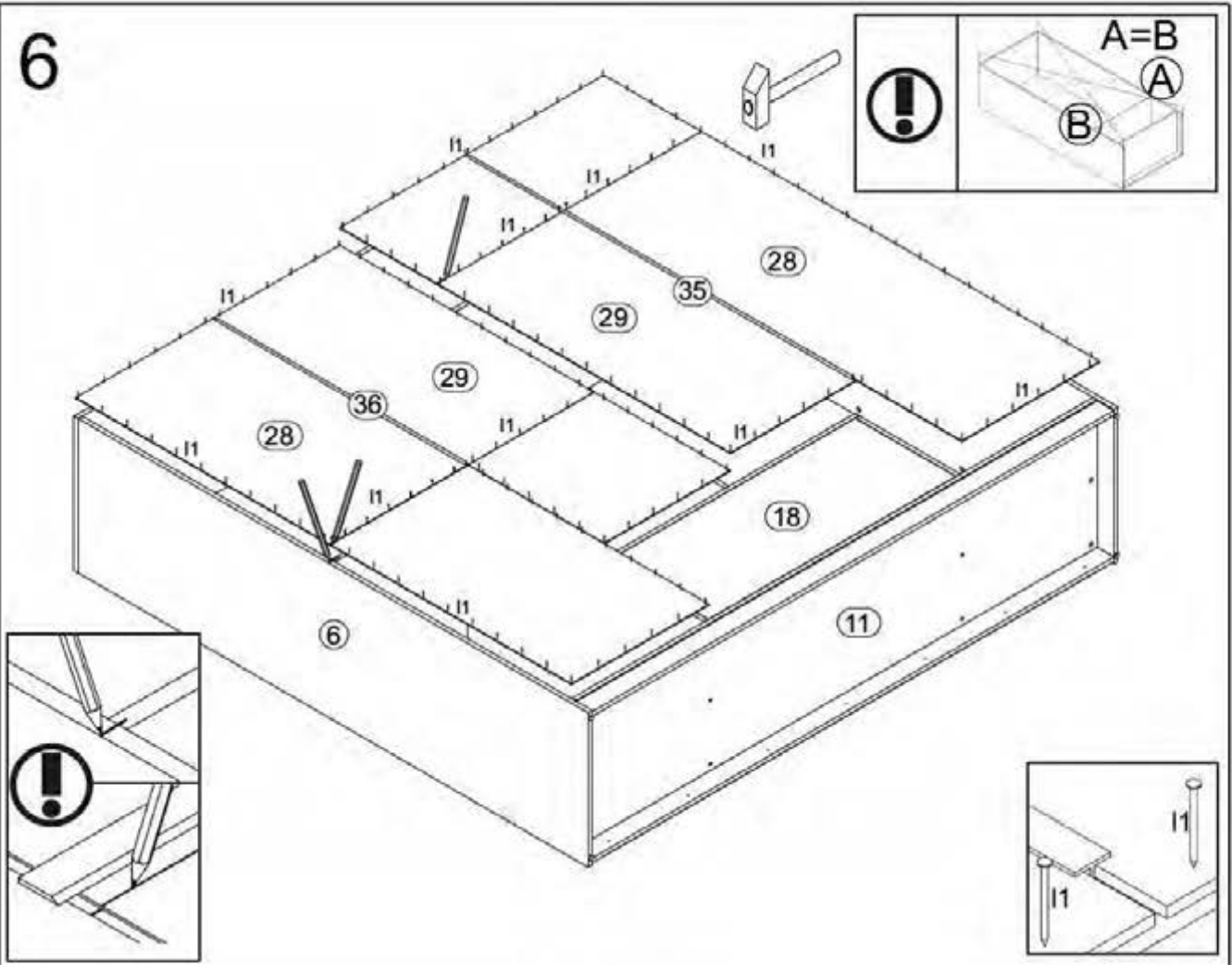


Сосна каньон

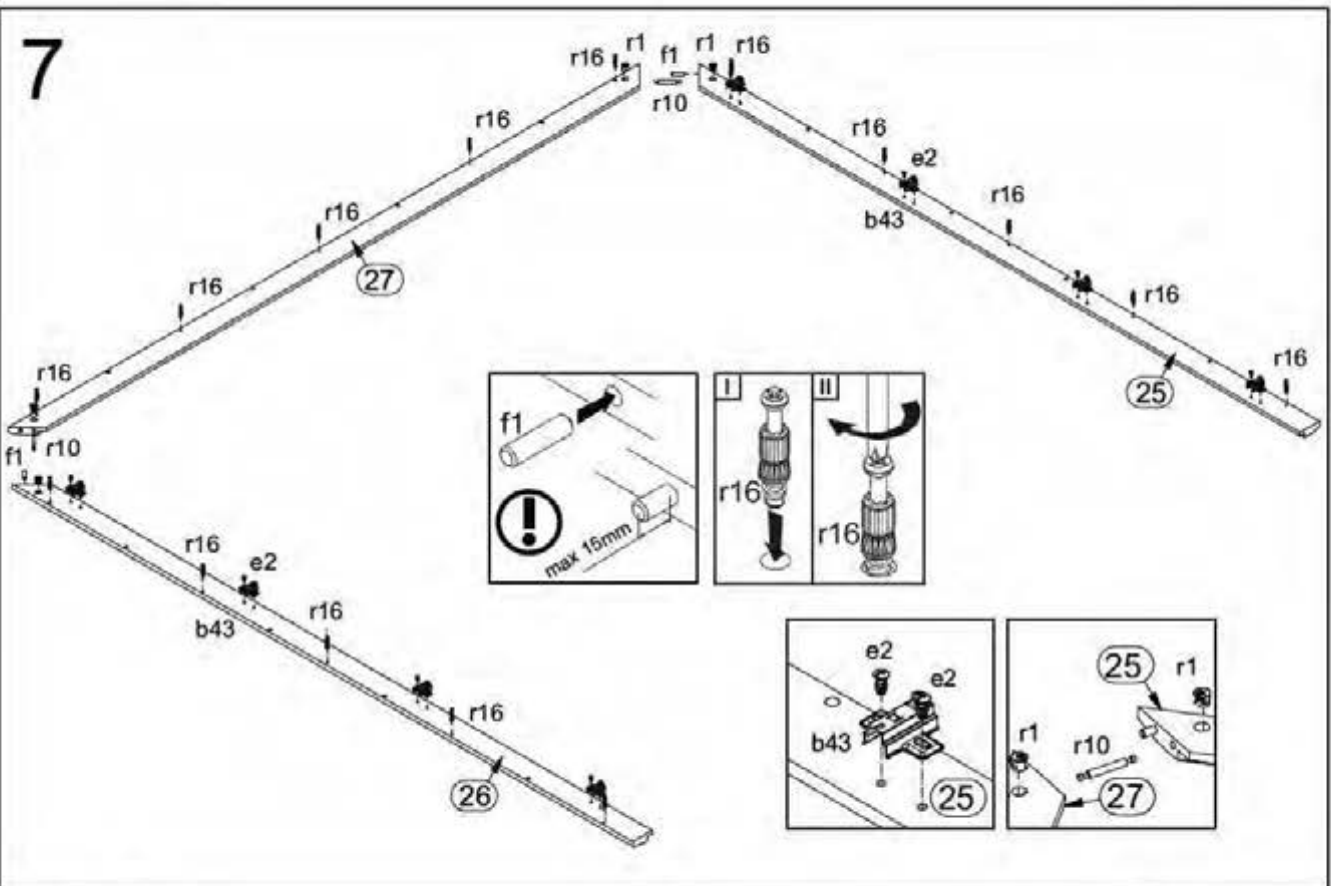
4 / 7

Шафа / Шкаф SZF4D2S

# 6



# 7

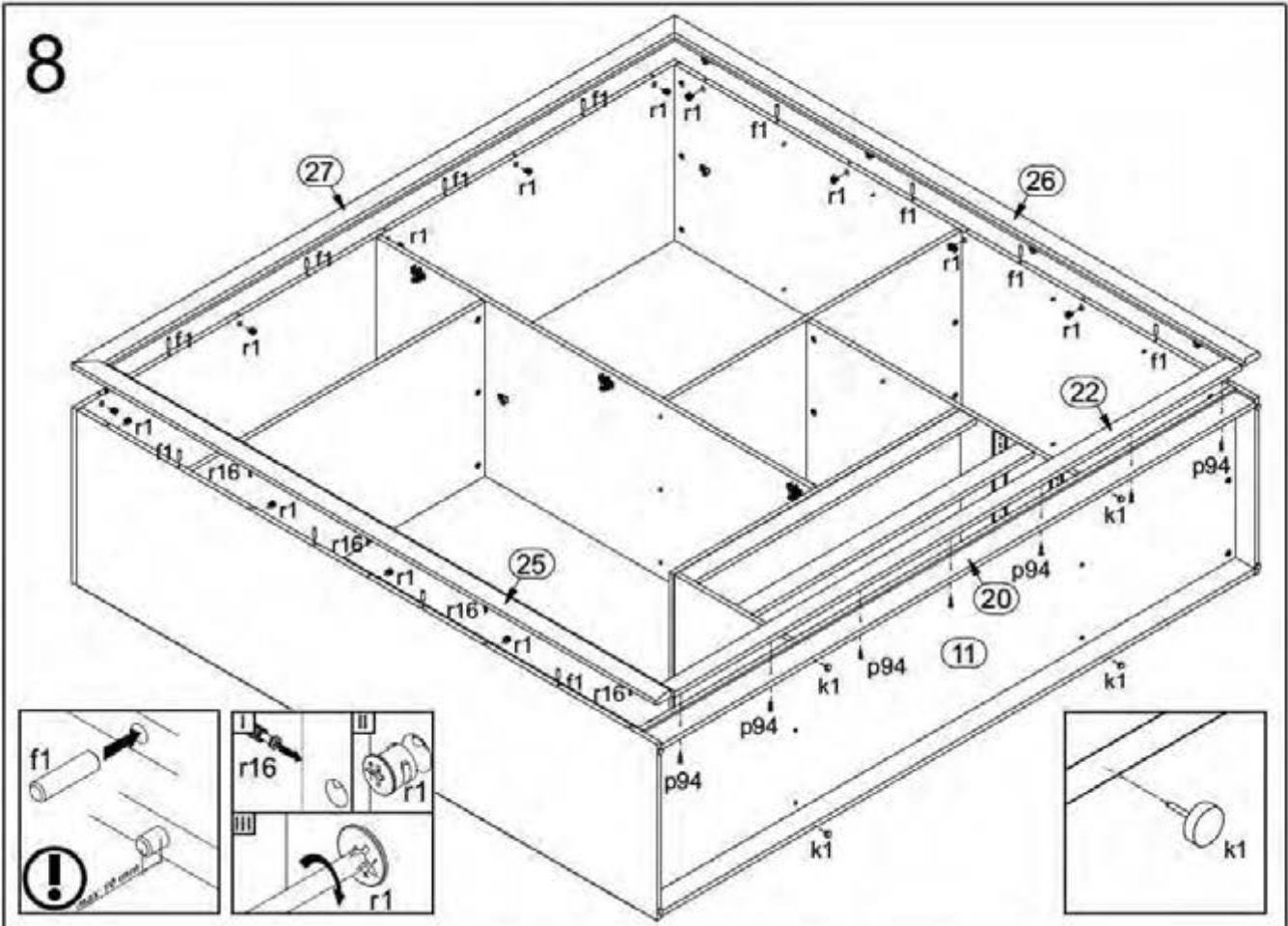


Сосна каньон

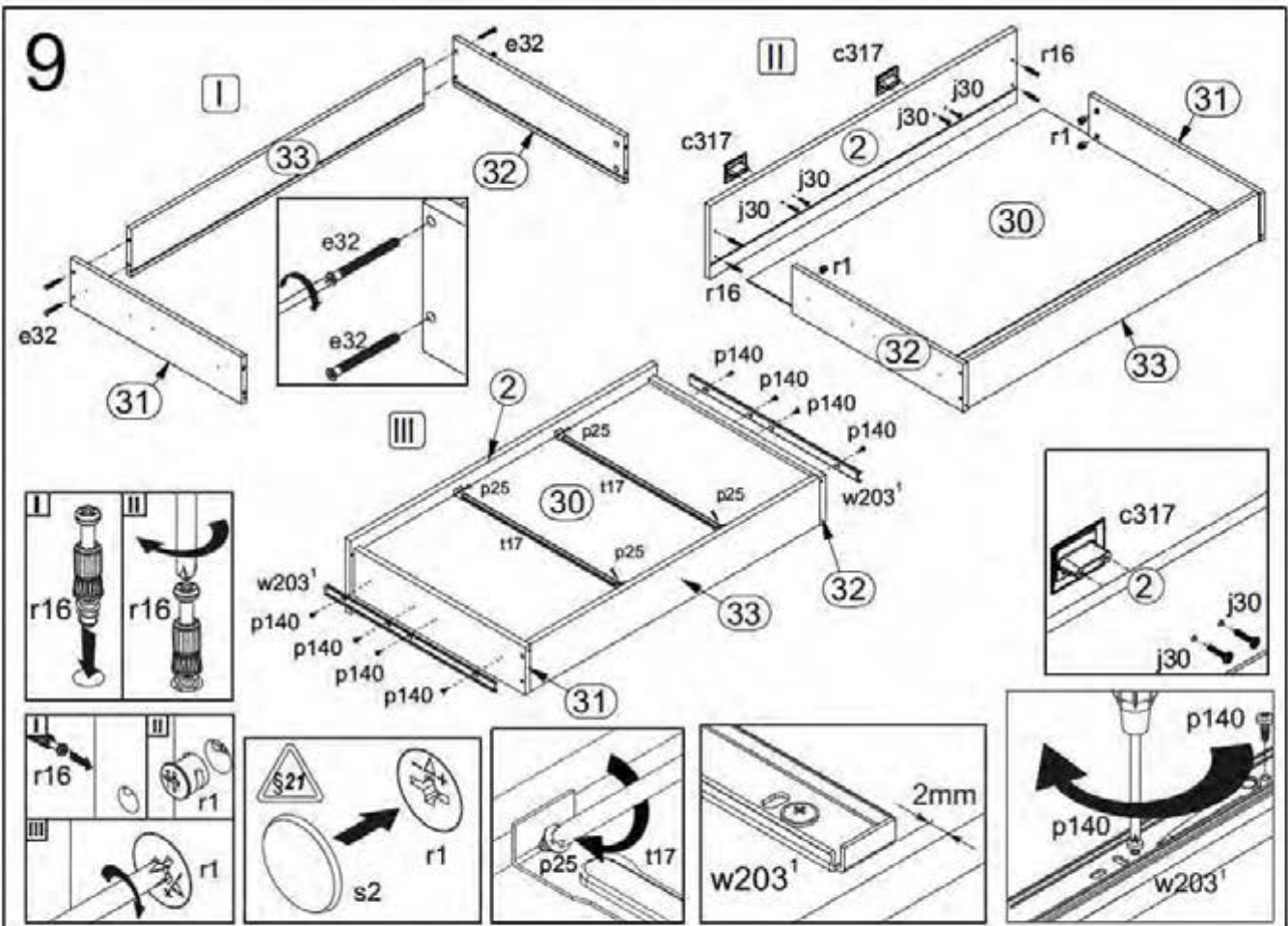
5/7

Шафа / Шкаф SZF4D2S

# 8



# 9



Сосна каньён

6 / 7

Шафа / Шкаф SZF4D2S

# 10

