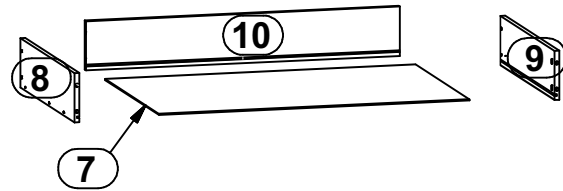
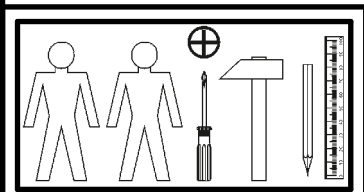
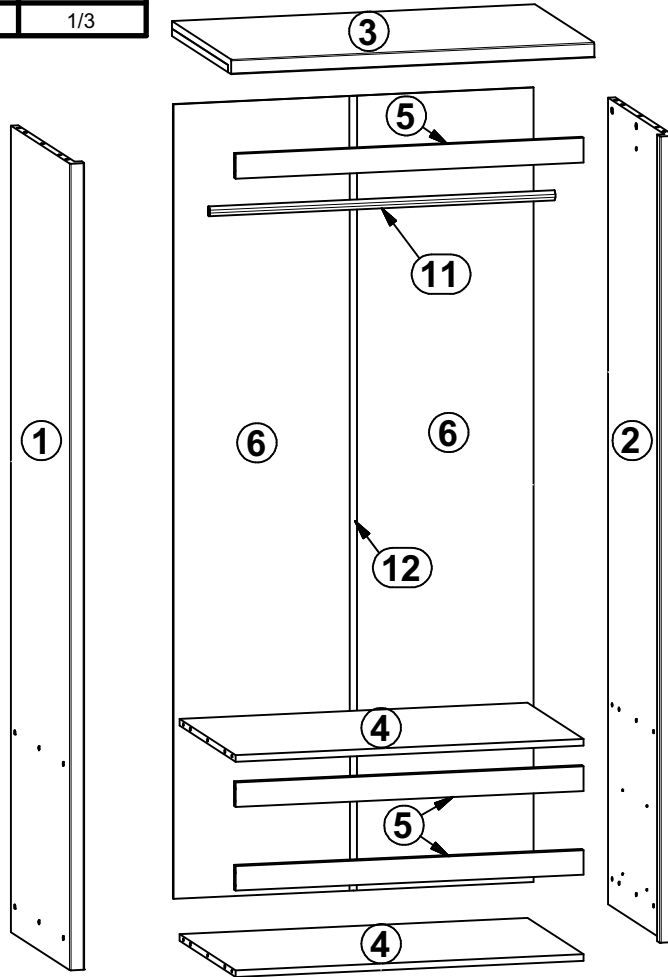
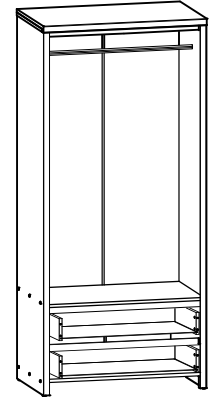


A	B	C		D
1	S128-103	1964	546	1/3
2	S128-104	1964	546	1/3
3	S128-202-01	900	549	2/3
4	S128-303	863	520	2/3
5	S128-401	863	60	2/3
6	S128-1902	1935	446	1/3
7	S128-9903	780	498	1/3
8	BP-501	500	120	2/3
9	BP-502	500	120	2/3
10	ZP-5503	770	120	2/3
11	dr-857	857	22	2/3
12	Lh-1905	1905	14	1/3



6x a43	6x b18	12x e1 φ7x50 mm	12x e16 φ6x30 mm	12x e19 φ5x9 mm	12x e2 φ6,3x13 mm	24x f1 φ8x30 mm	8x f25 φ5,5x40 mm	4x k1
64x l1	2x n1	2x p1 φ3,5x13 mm	4x p25 φ3,5x16 mm	12x p51 φ3,5x15 mm	14x r1 φ1,5x12mm #16	14x r42	12x s1	6x s2 ø16
2x t17 483 mm	2x w26\CL 500 mm	2x w26\CR 500 mm	2x w26\DL 500 mm	2x w26\DR 500 mm	12x w36 h=18 mm	1x n26\1	1x p38 φ3,5x16 mm	1x z1

