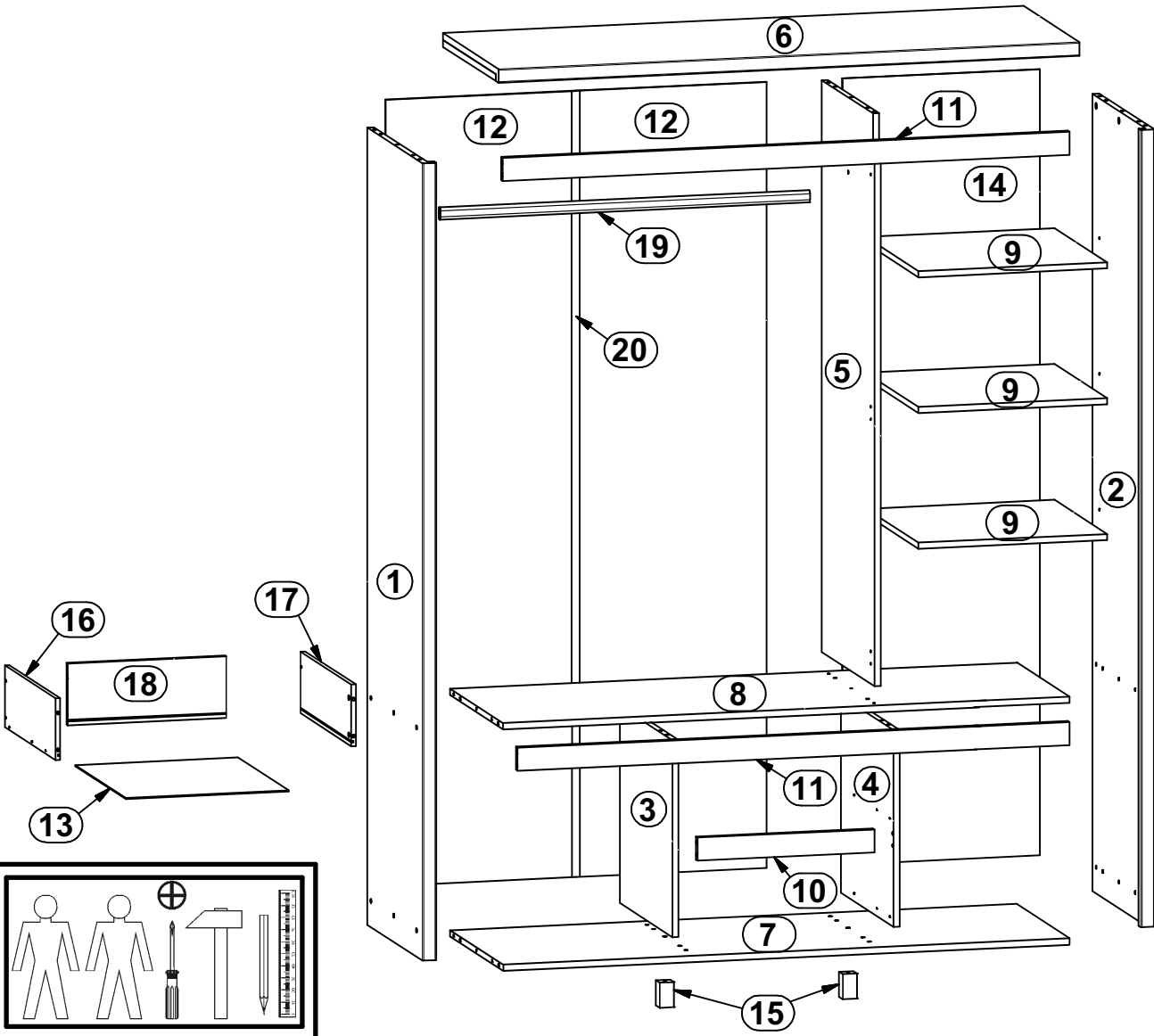
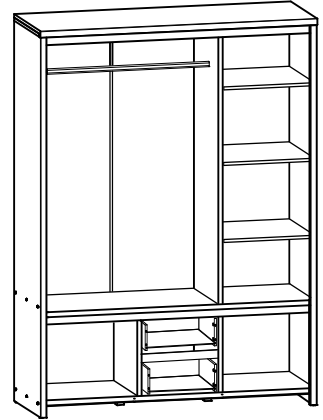


KRISTINA

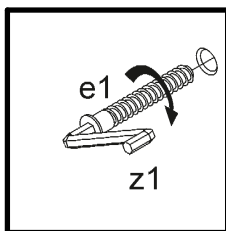
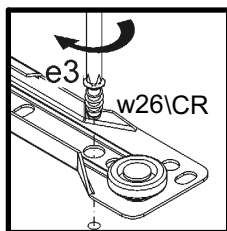
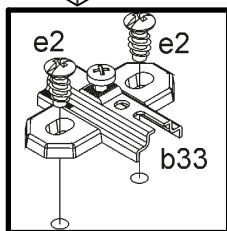
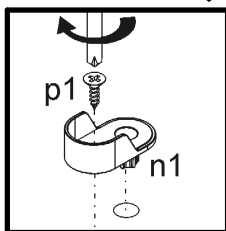
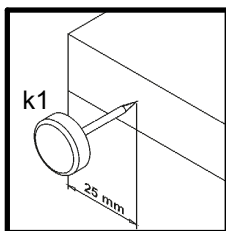
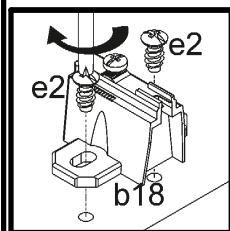
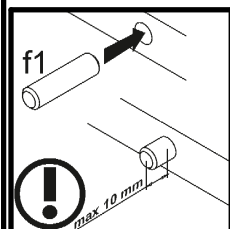
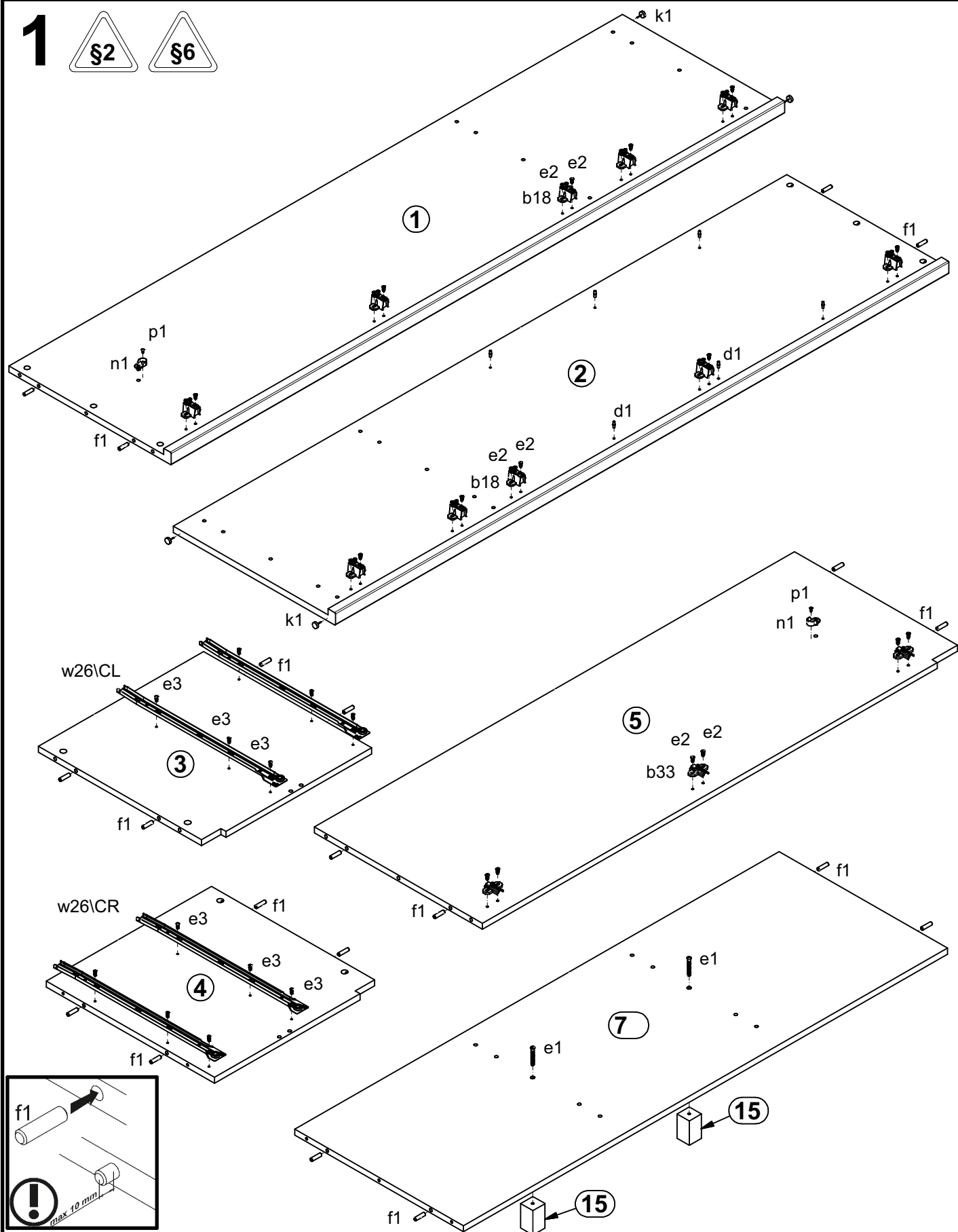
SZF5D2S

A	B	C	D	A	B	C	D		
1	S128-117	2066	546	1/6	11	S128-407	1495	60	2/6
2	S128-118	2066	546	1/6	12	S128-1907	2037	502	1/6
3	S128-119	510	519	3/6	13	S128-9913	420	498	2/6
4	S128-120	510	519	3/6	14	S128-914	2037	521	1/6
5	S128-121	1482	519	2/6	15	ZN1-501	65	38	2/6
6	S128-207	1532	549	2/6	16	BP-505	500	160	3/6
7	S128-310	1495	520	2/6	17	BP-506	500	160	3/6
8	S128-311	1495	520	2/6	18	ZP-5506	410	160	3/6
9	S128-312	498	518	3/6	19	dr-975	975	30	2/6
10	S128-404	467	60	2/6	20	Lh-2007	2007	14	1/6

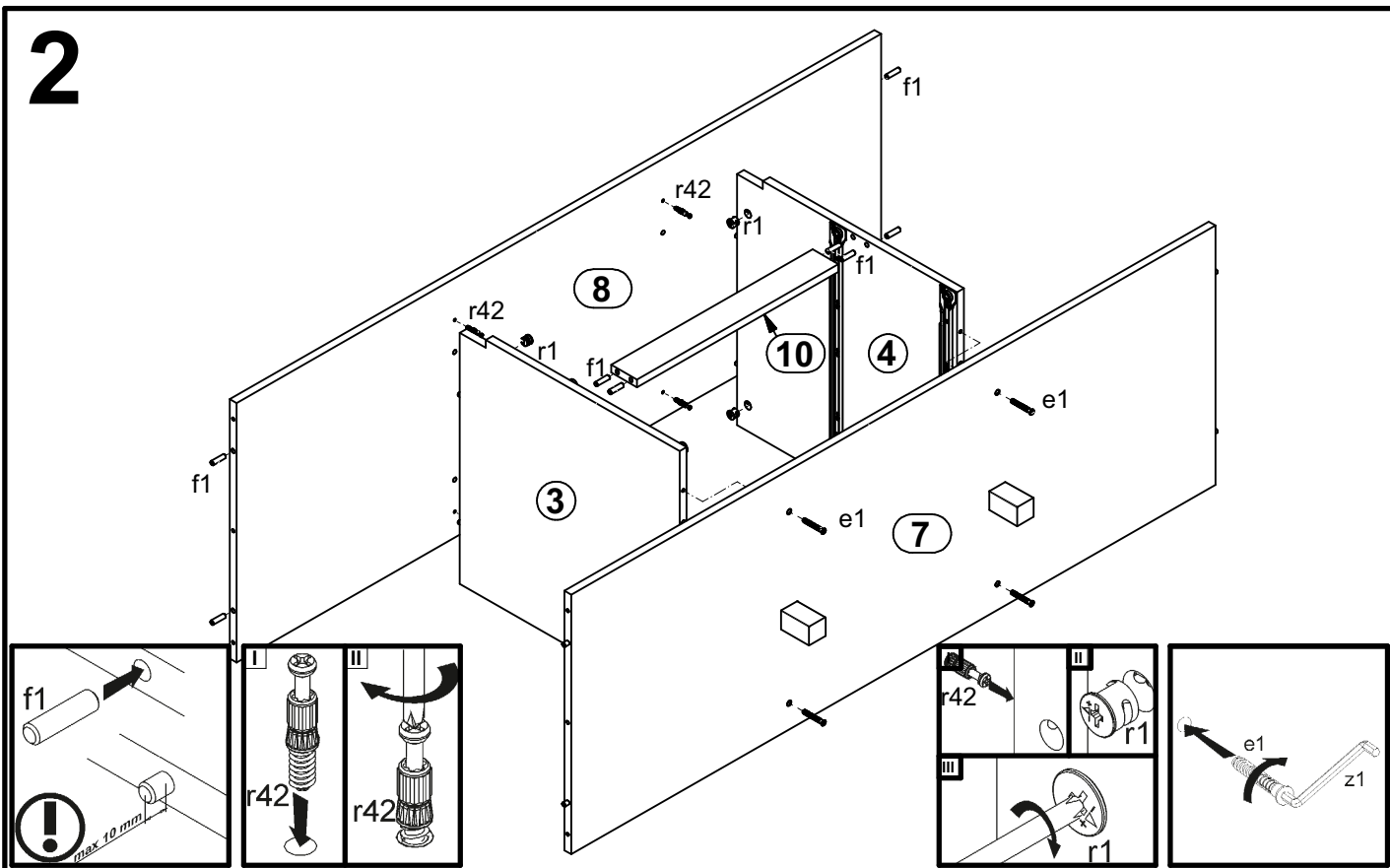


10x a43	3x a68	10x b18	3x b33	12x d1	18x e1	12x e19	26x e2	12x e3
36x f1	8x f25	4x k1	125 l1	2x n1	2x p1	26x p51	24x r1	24x r42
2x w26\CL	2x w26\CR	2x w26\DL	2x w26\DR	12x s1	12x s2	1x z1	1x n26\1	1x p38

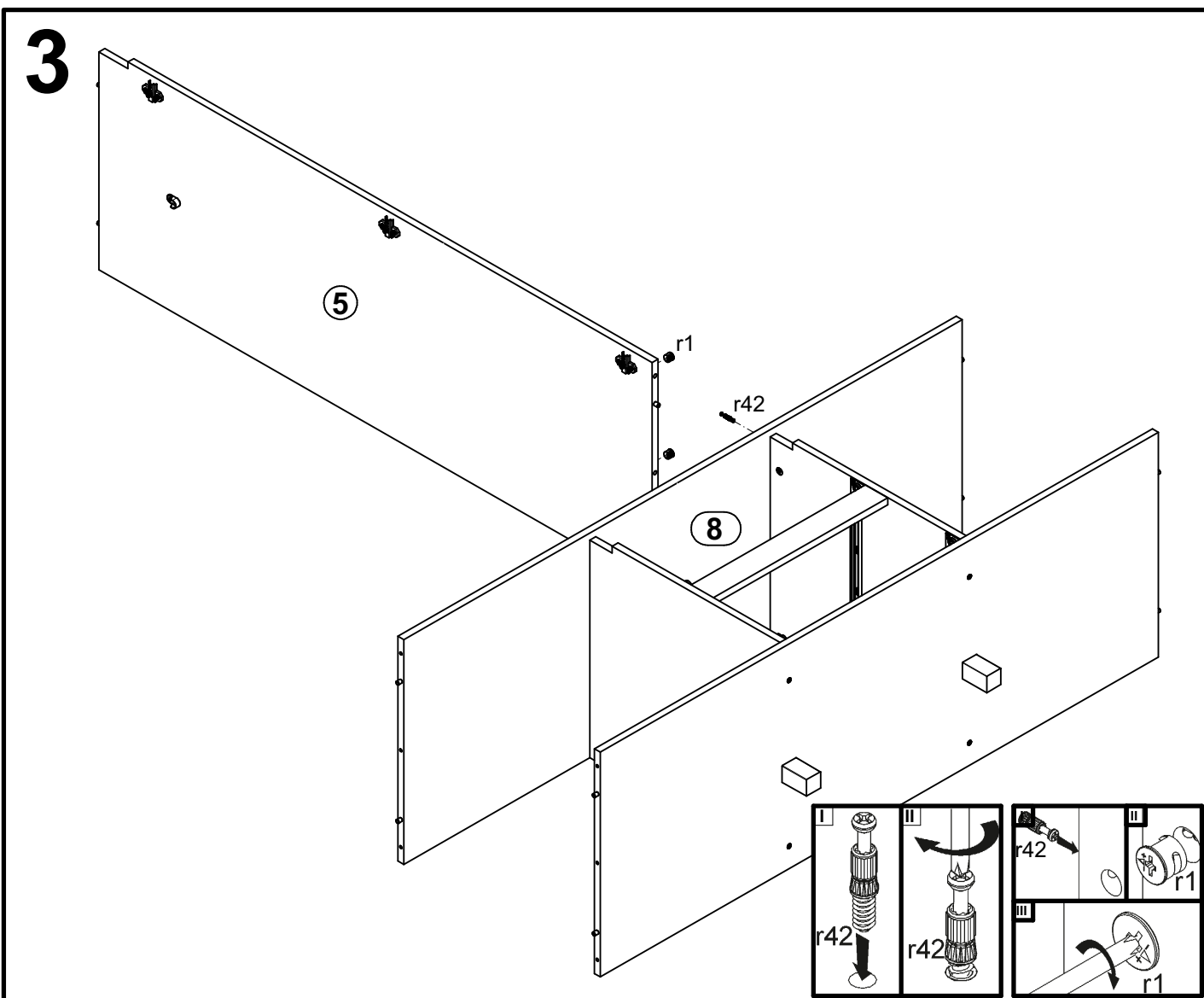
1



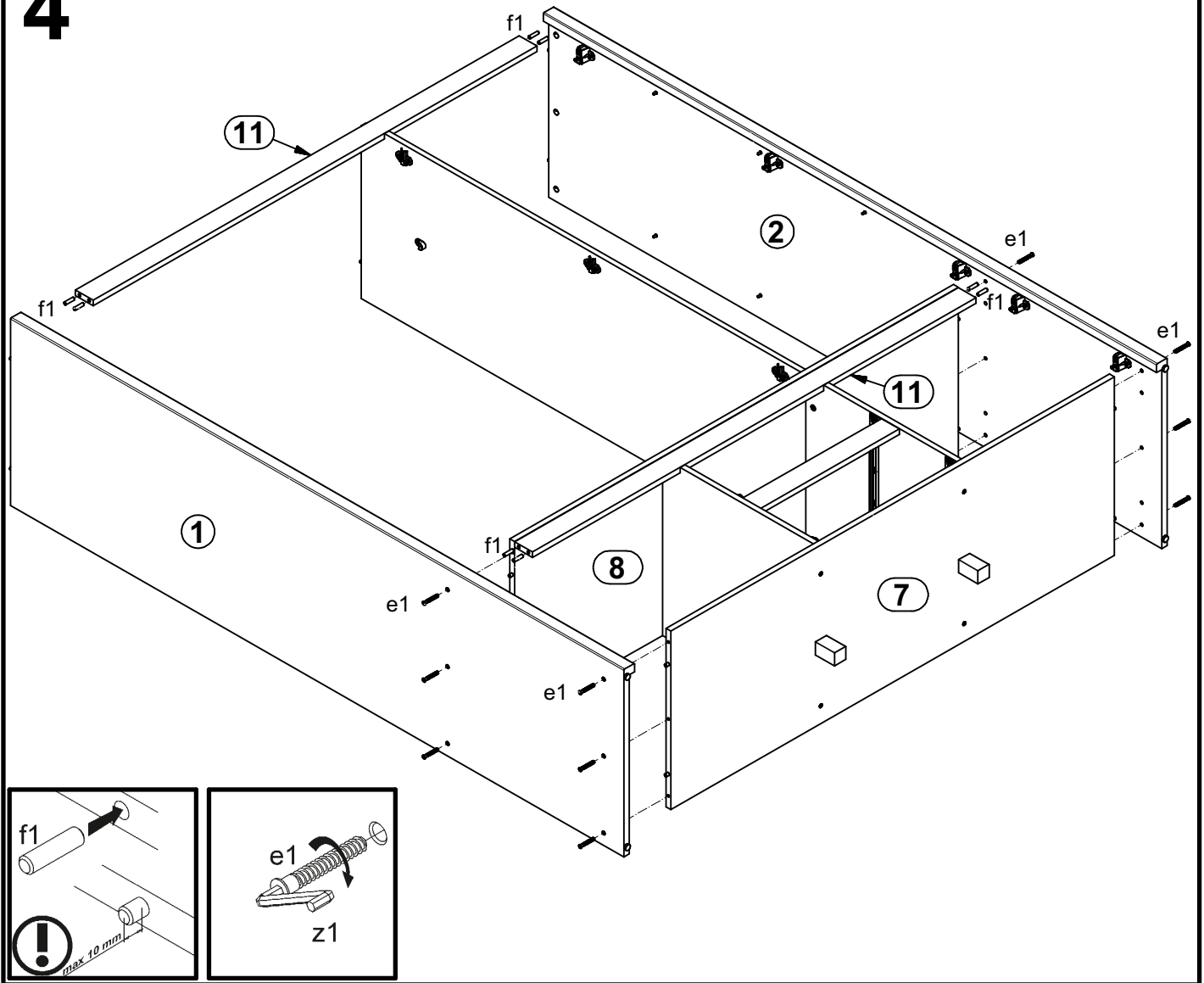
2



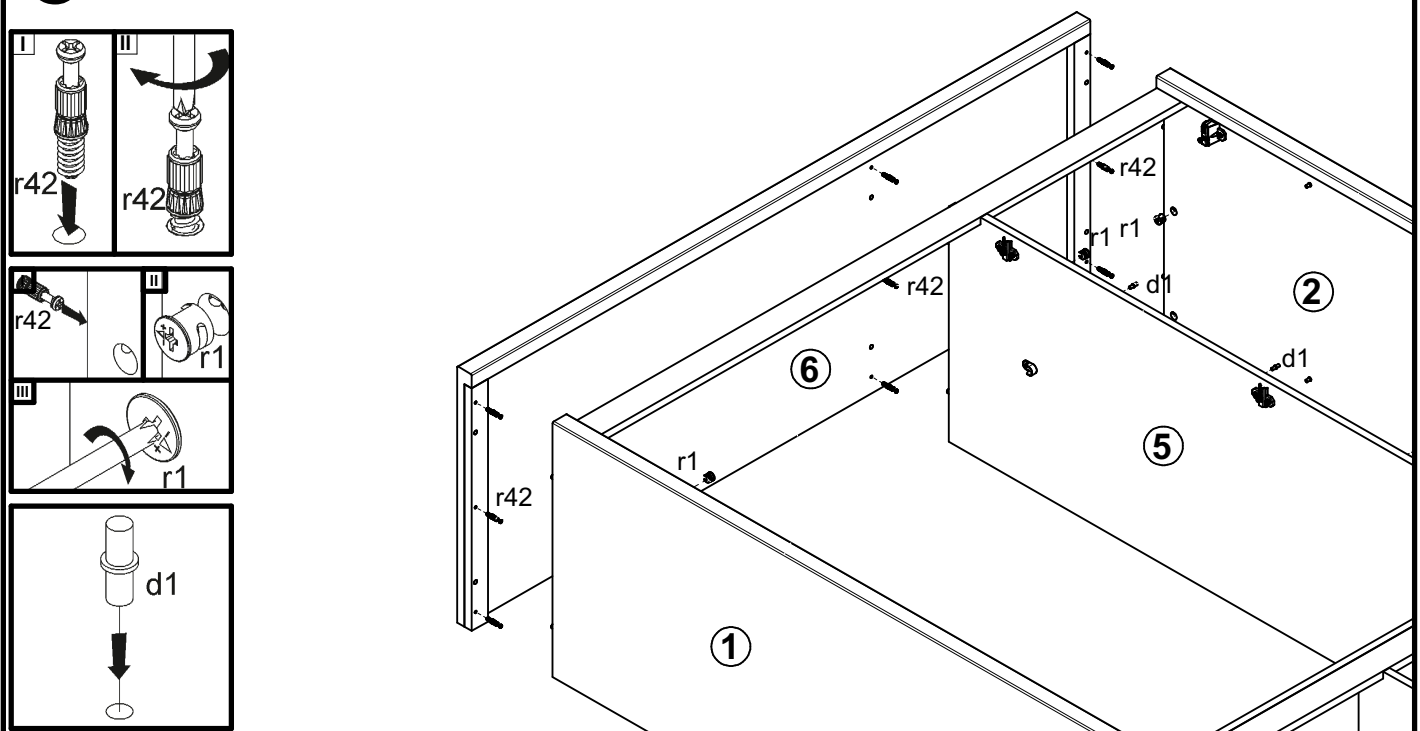
3



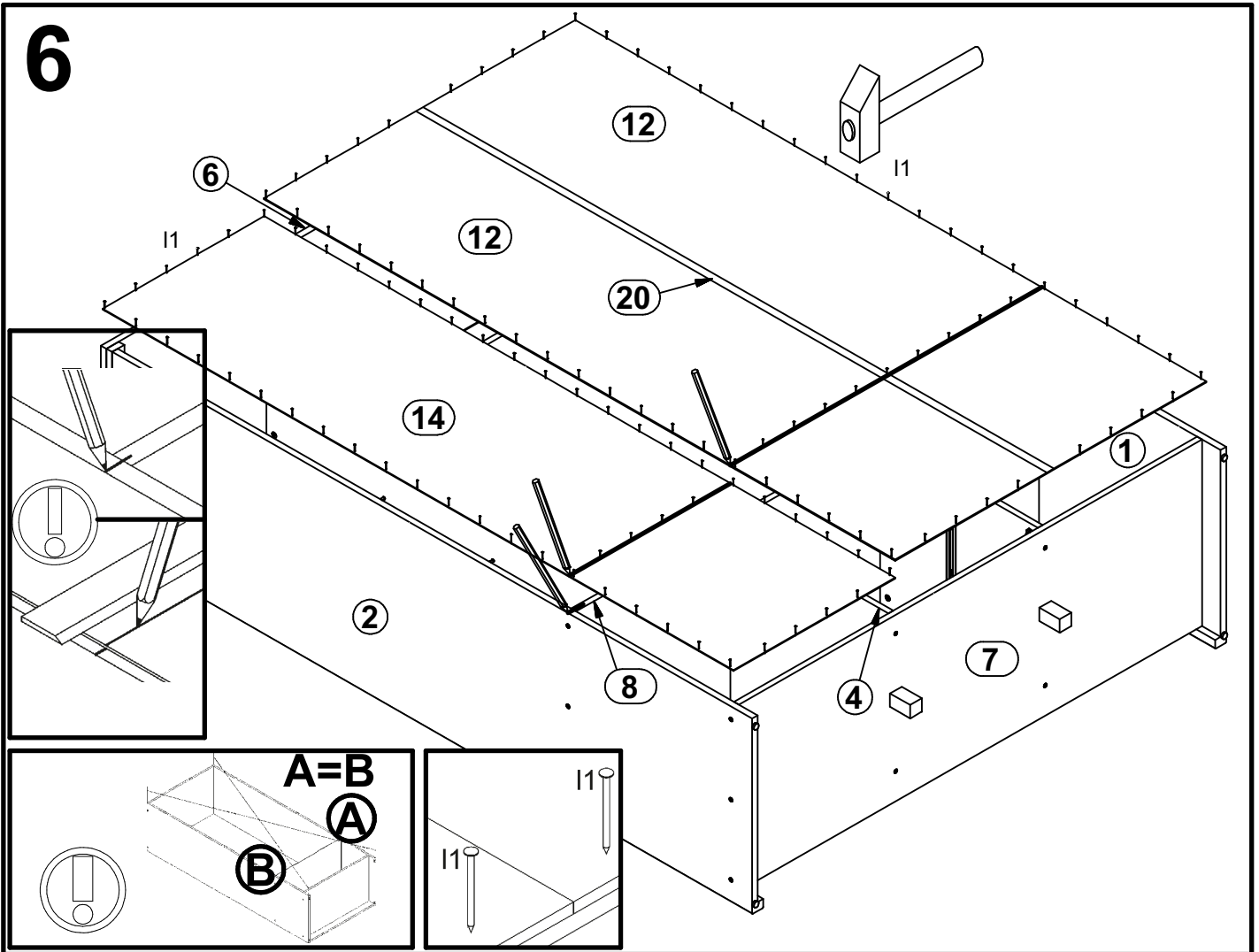
4



5



6



7

