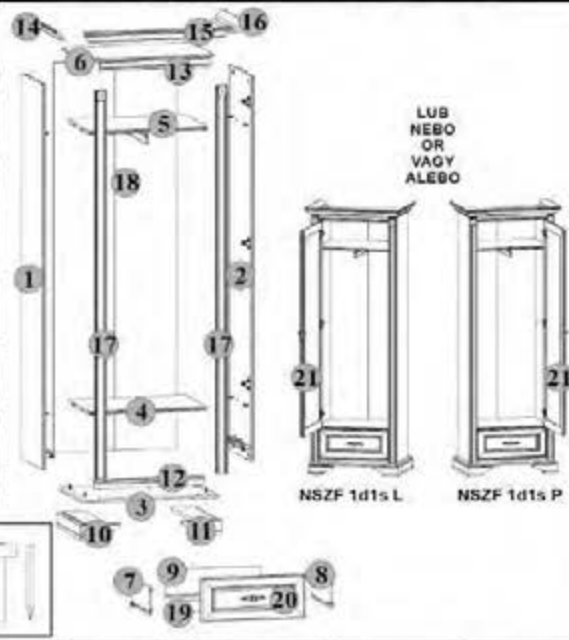
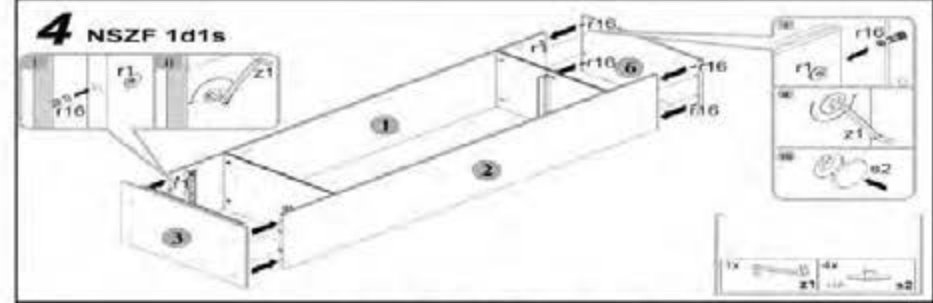
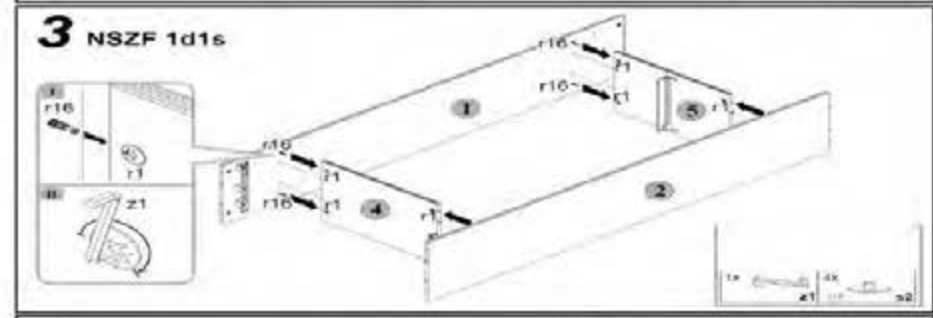
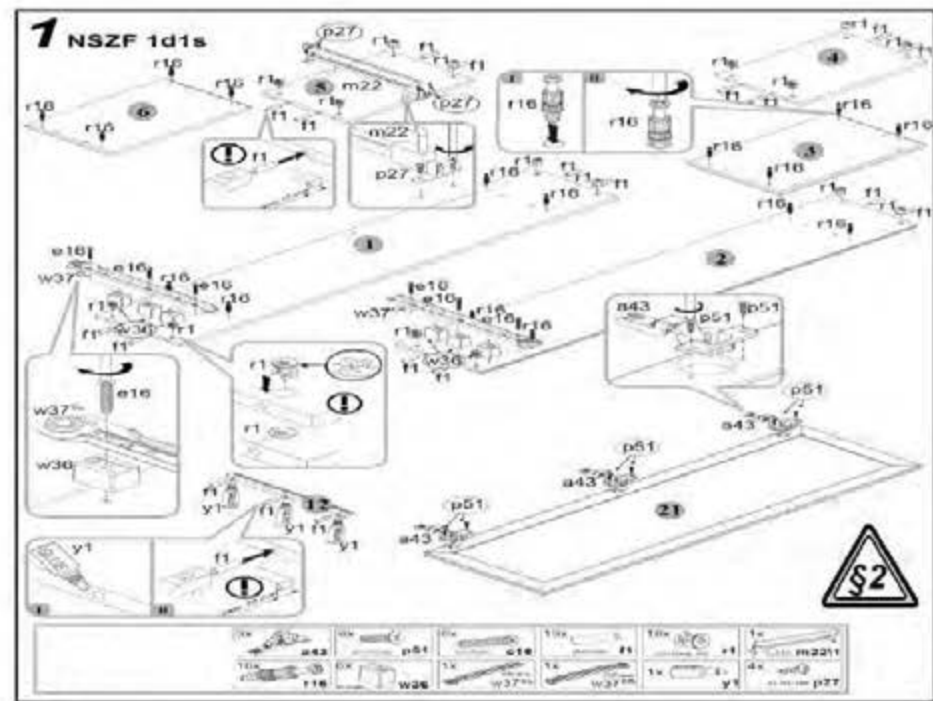
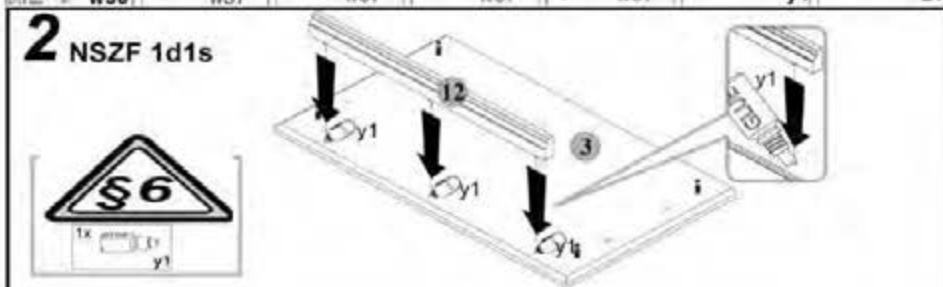


STYLIUS NSZF 1d1s

A	B	C	D
1	1857x385	S21-110	1/8
2	1857x385	S21-111	1/8
3	623x398	S21-216	2/6
4	534x385	S21-310	1/6
5	534x385	S21-311A	1/8
6	508x385	S21-217	2/6
7	320x140	S21-504	1/6
8	320x140	S21-505	1/8
9	449x140	S21-506	1/6
10	180x402	S21-2081	4/6
11	180x402	S21-2582	4/6
12	500x40	S21-579	3/6
13	500x40	S21-578	3/6
14	424x79	S21-1578	3/6
15	673x79	S21-1574	3/6
16	424x79	S21-1579	3/6
17	1673x50	S21-573	3/6
18	1884x501	S21-908	1/6
19	460x515	S21-909	1/6
20	496x221	S21-011	6/6
21	1564x496	S21-017	5/6



3x a43	3x b18	2x c84'	2x c84''	6x e2	6x e16	4x e19
4x e22	10x f1	14x f11	4x f25	1x j6	1x j29	55x i1
2x i21	1x m2211	2x n40	2x n54	4x p20	4x p27	2x p35
2x p38	4x p46	6x p51	16x r1	4x r15	20x r16	8x s2
6x w36	1x w37GR	1x w37GL	1x w37GR	1x w37CL	1x y1	1x z1



P28-S21-NSZF_1d1s-M_IN8-KOR03

