

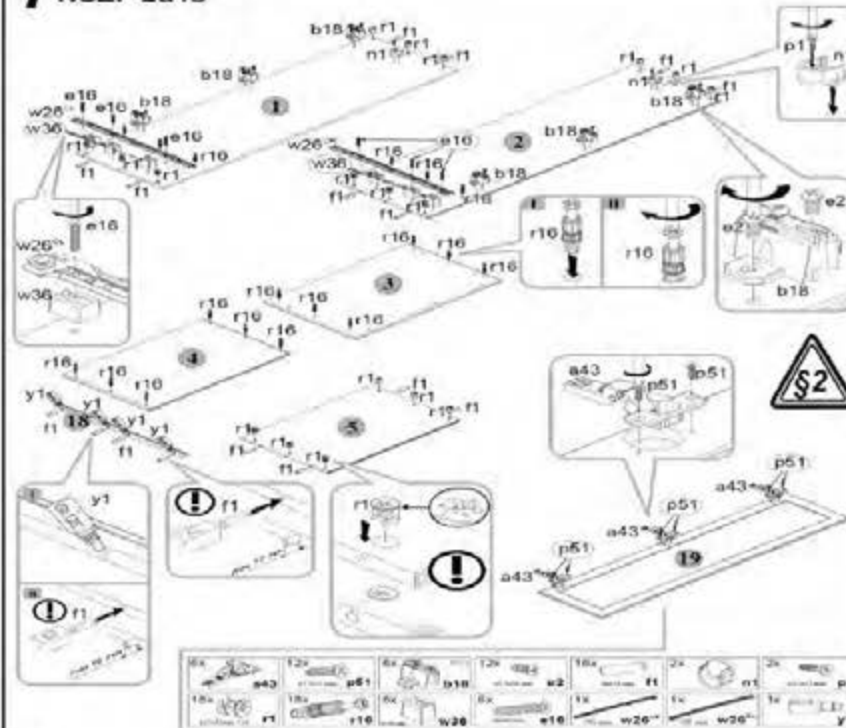
STYLIUS

NSZF 2d1s

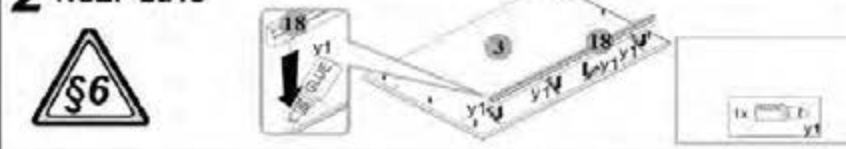
A	B	C	D
1	1857x550	S21-108	1/8
2	1857x550	S21-109	1/8
3	922x583	S21-214	2/8
4	896x550	S21-215	2/8
5	832x550	S21-309	1/8
6	500x140	S21-511	1/8
7	500x140	S21-512	1/8
8	747x140	S21-510	1/8
9	1673x30	S21-573	3/8
10	798x40	S21-581	3/8
11	609x79	S21-1576	3/8
12	609x79	S21-1577	3/8
13	971x79	S21-1575	3/8
14	210x587	S21-2579	4/8
15	210x587	S21-2580	4/8
16	758x196	S21-913	1/8
17	1884x859	S21-912	1/8
18	798x40	S21-572	3/8
19	1564x358	S21-014	5/8
20	794x221	S21-015	6/8
21	827x30	8rh-827	1/8



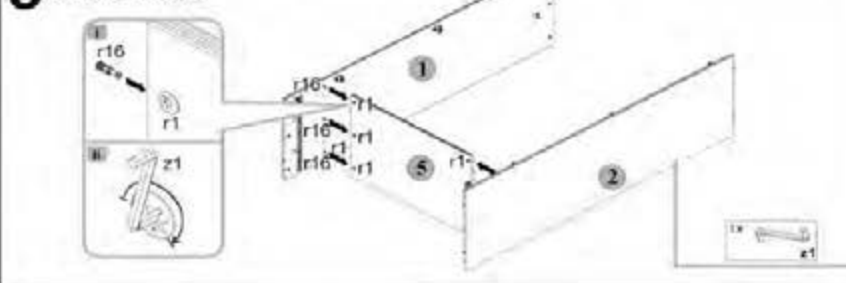
1 NSZF 2d1s

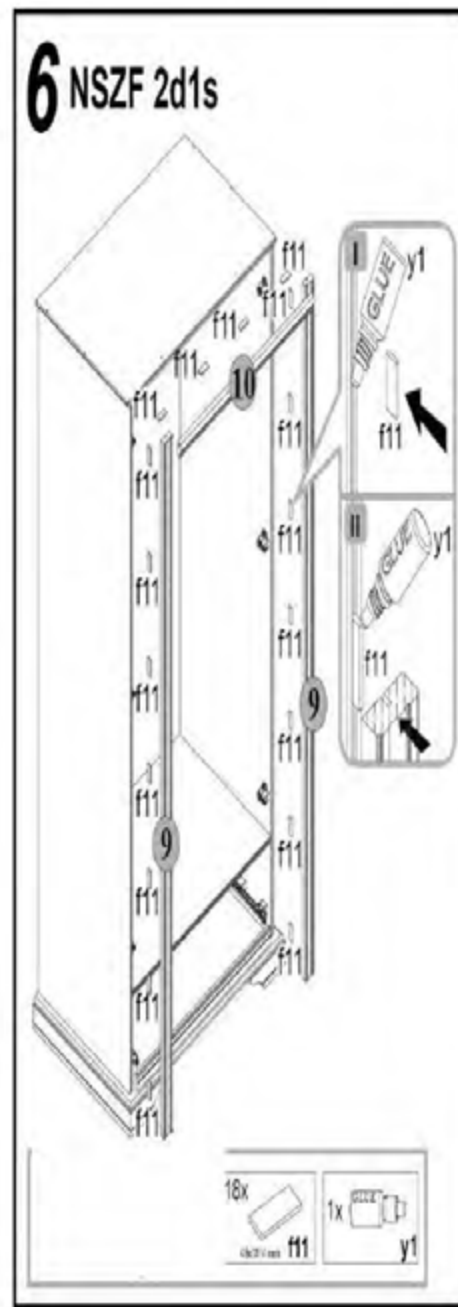
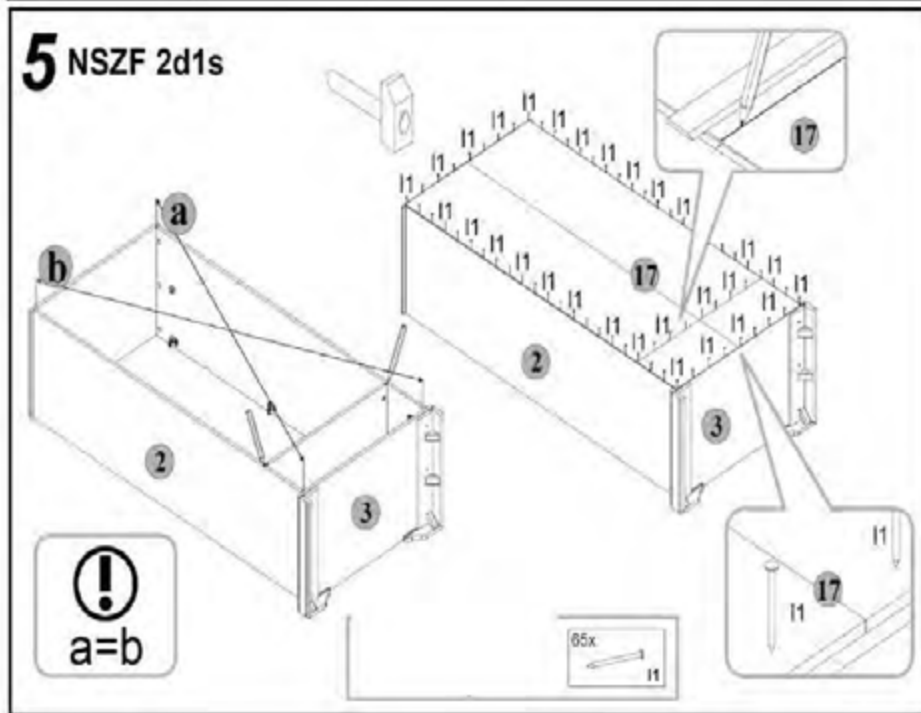
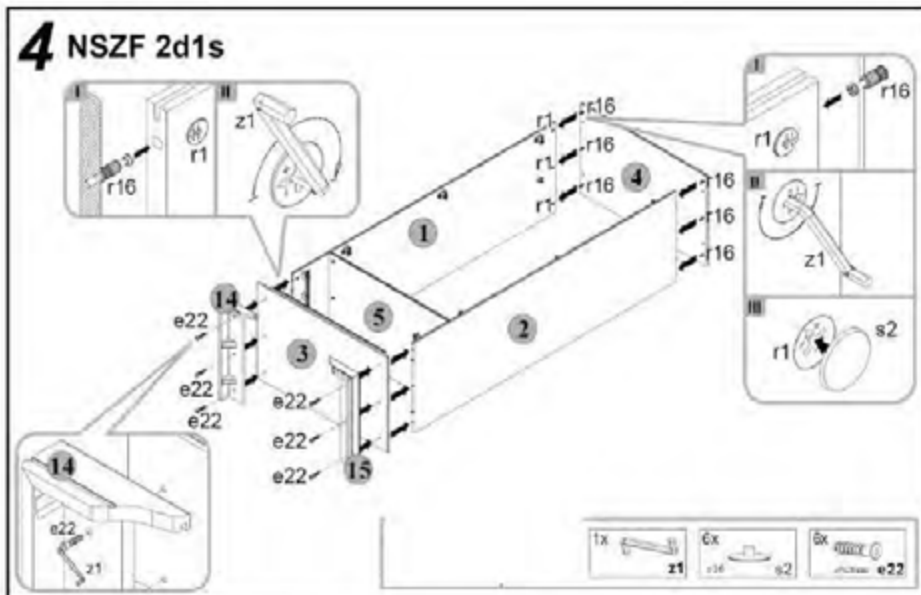


2 NSZF 2d1s

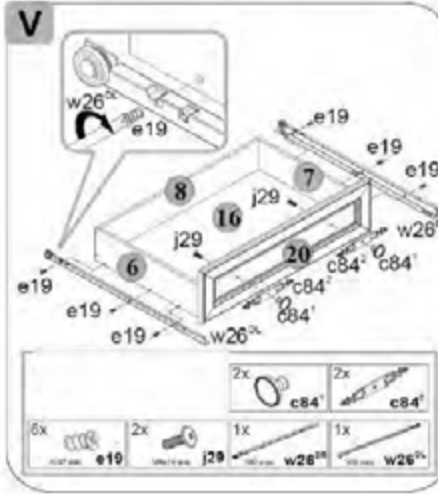
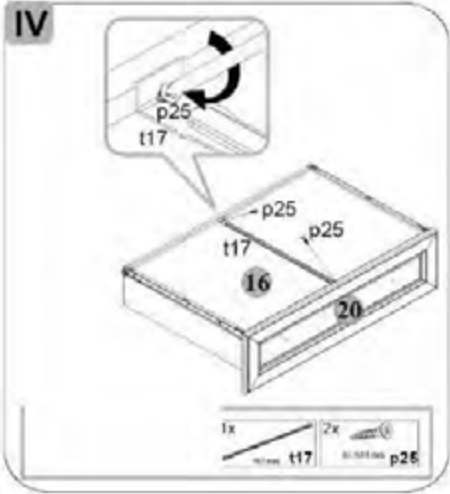
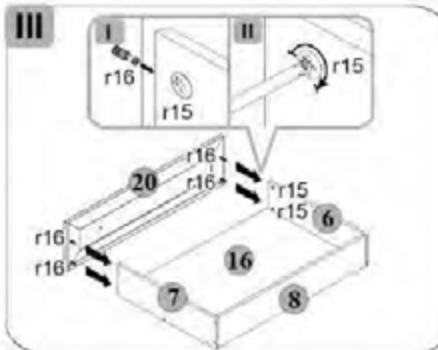
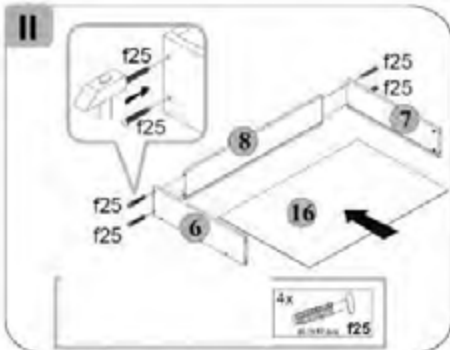
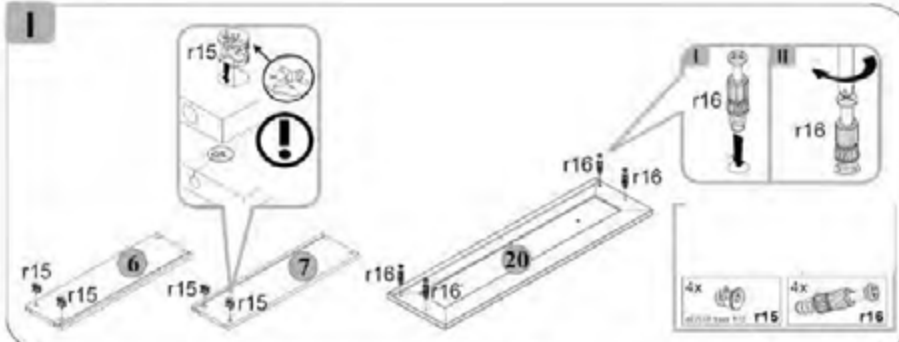


3 NSZF 2d1s

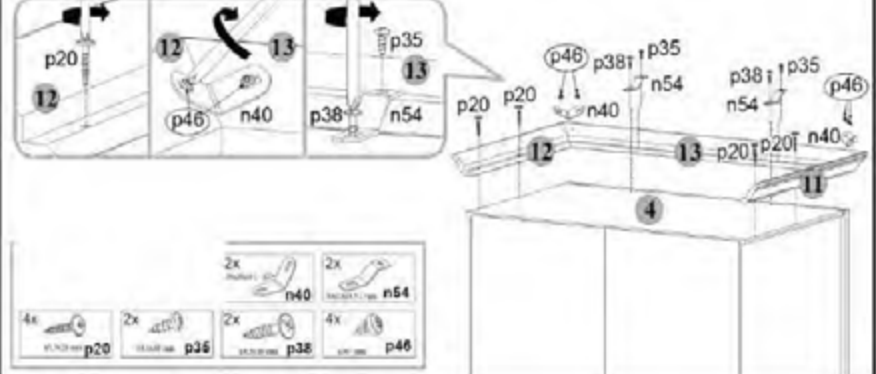




8 NSZF 2d1s



9 NSZF 2d1s



10 NSZF 2d1s

