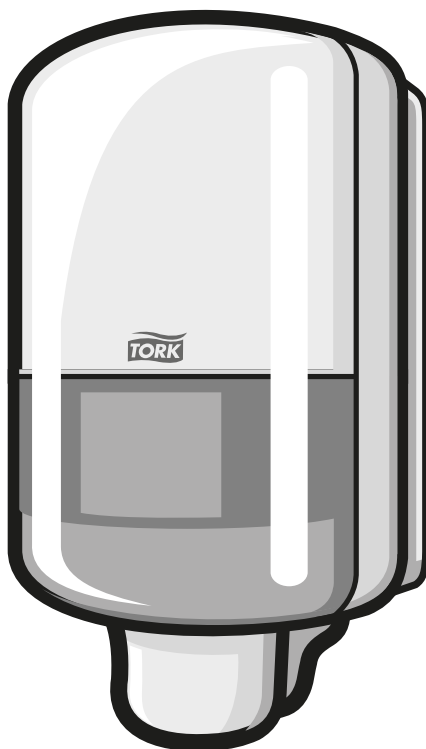


Tork Mini Liquid Soap Dispenser

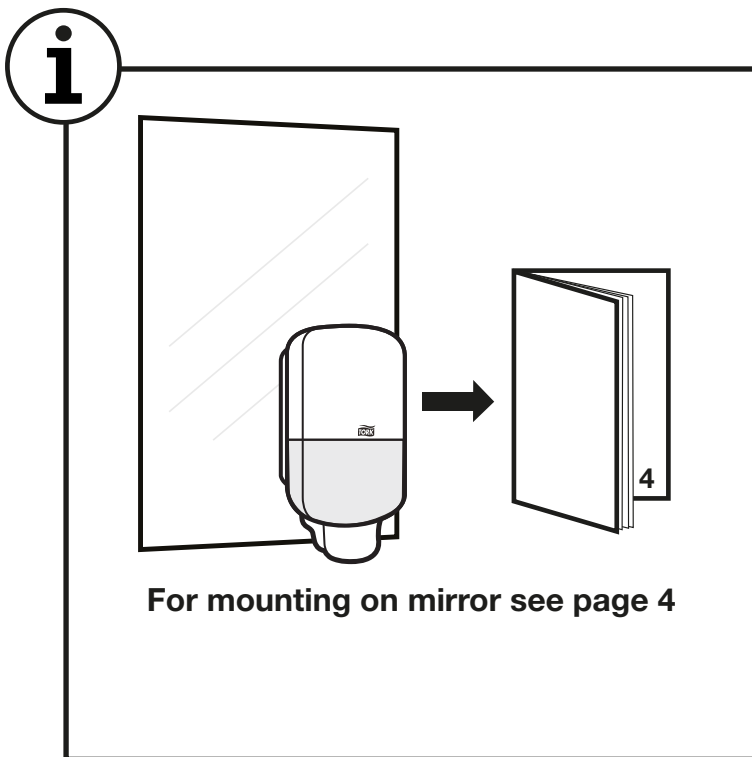
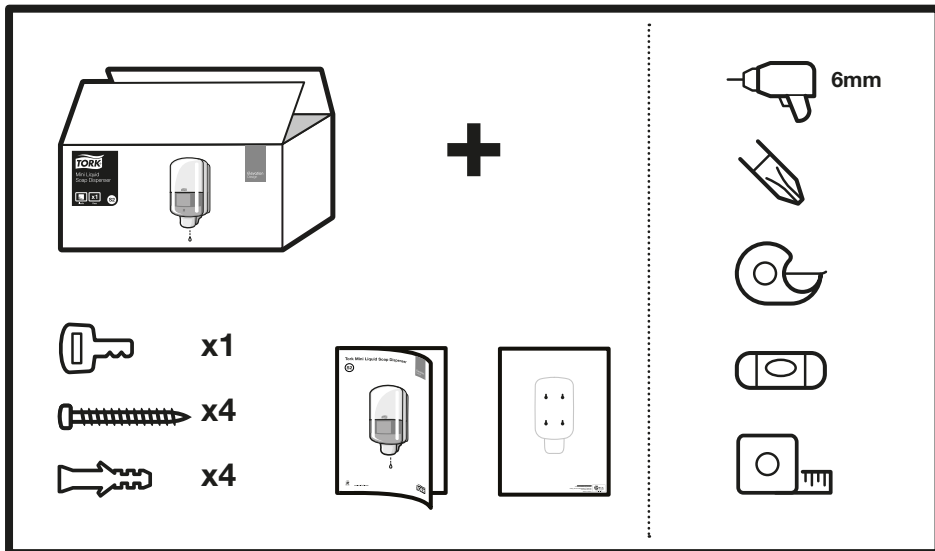
S2

Elevation
Design

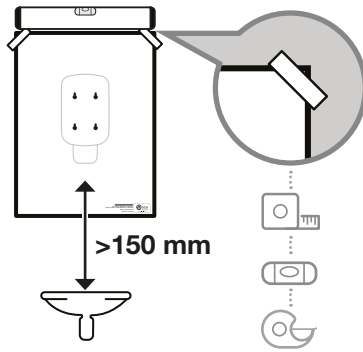


www.sca-tork.com

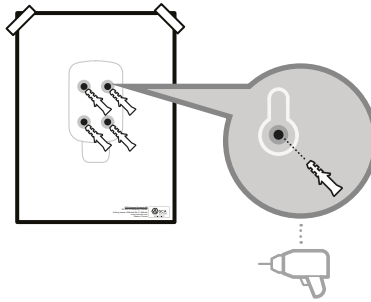




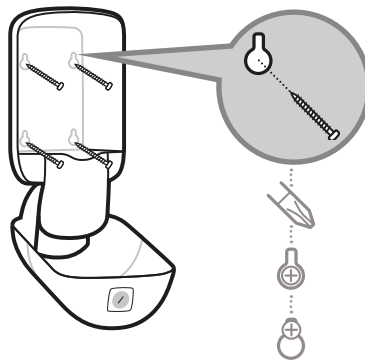
1



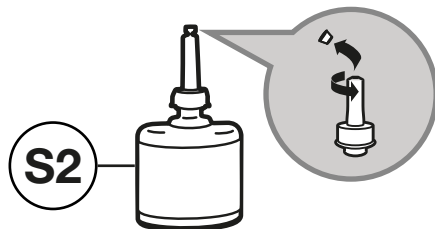
2



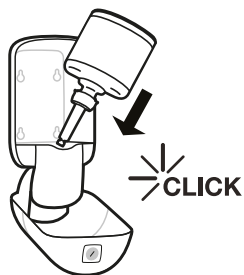
3



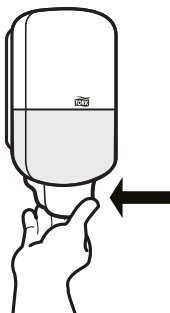
4



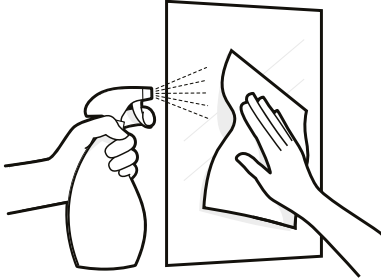
5



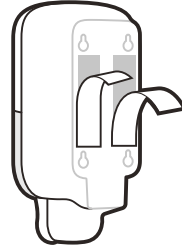
6



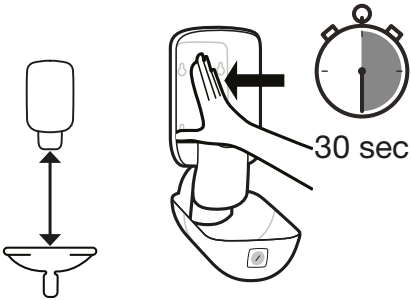
3

i**Mounting on mirror****1**

Ensure the mounting surface is flat, clean and dry.

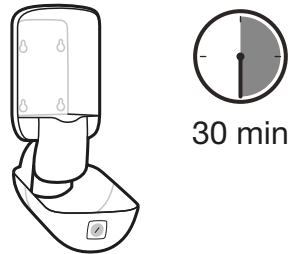
2

Peel the protective liners from the tape exposing the adhesive.

3

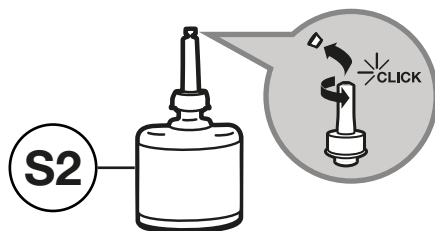
>150 mm

Mount the dispenser to the flat surface, press firmly and hold in place for at least 30 seconds.

4

Do not place the refill or batteries in the dispenser for at least 30 minutes.

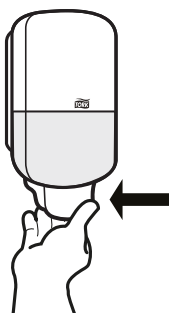
4



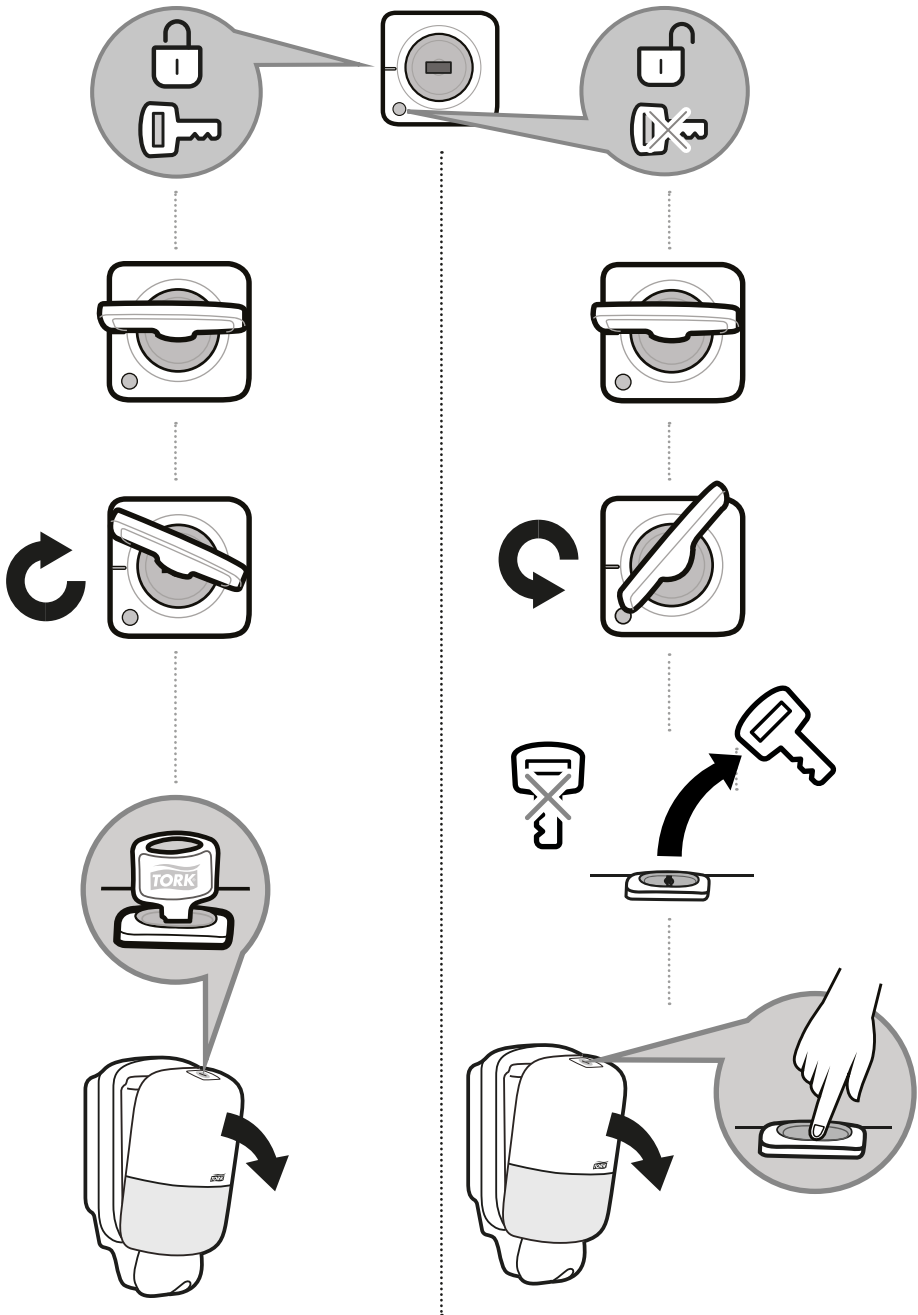
5



6



5



Disposal

- Damaged or malfunctioning product should be disposed of immediately to avoid potential of injury
- Products should be disposed of in accordance with applicable regulations

Cleaning instructions

- Clean dispenser with mild detergent and soft cloth

European Community Design Registration RCD 000929971



SCA Hygiene Products AB
SE-405 03 Göteborg, Sweden
Visiting address: Mölndals Bro 2, Mölndal
www.sca-tork.com
Made in Hungary