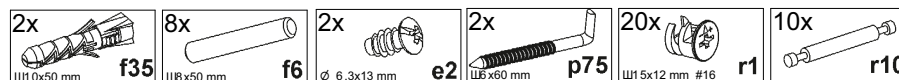
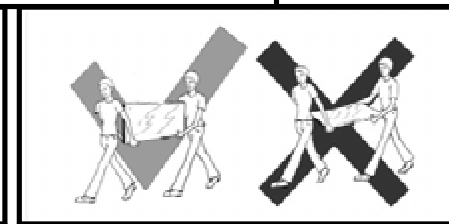
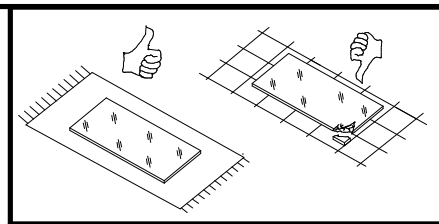
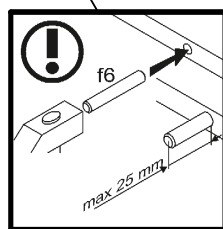
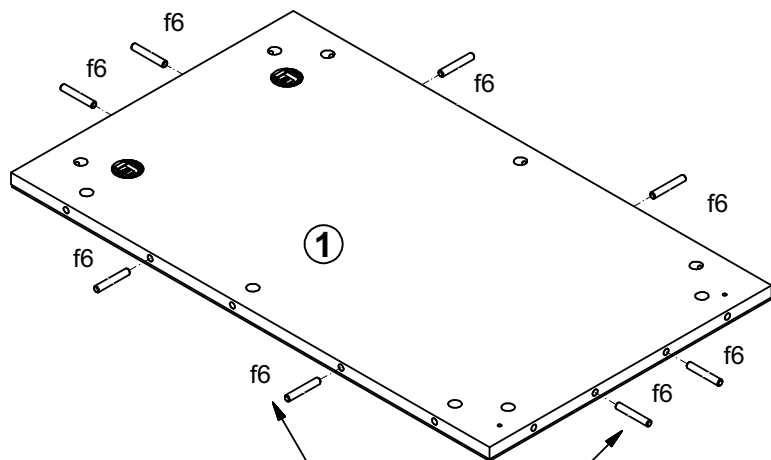


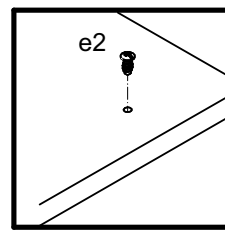
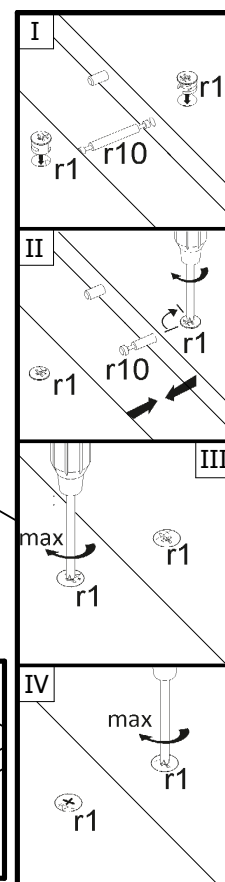
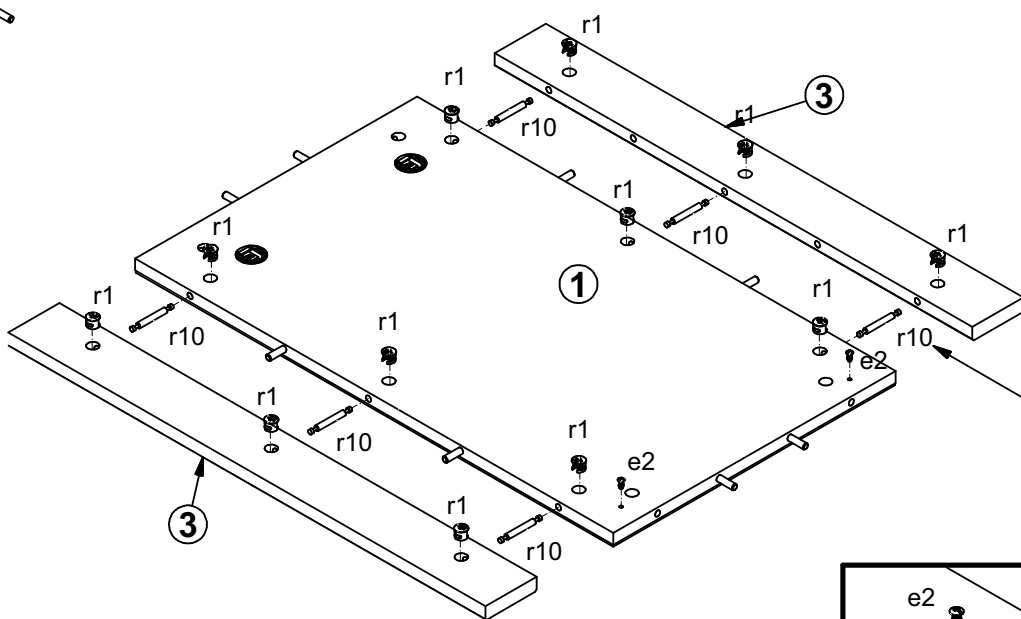
A	B	C (mm)		D
1	S228-0063	890	440	1/1
2	S228-5619	601	80	1/1
3	S228-5620	890	80	1/1



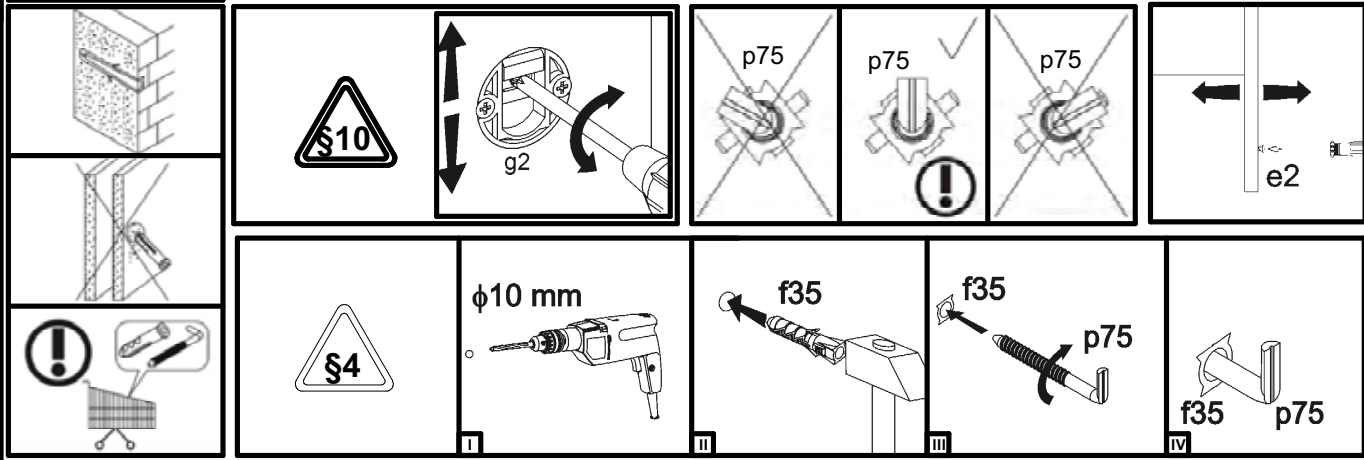
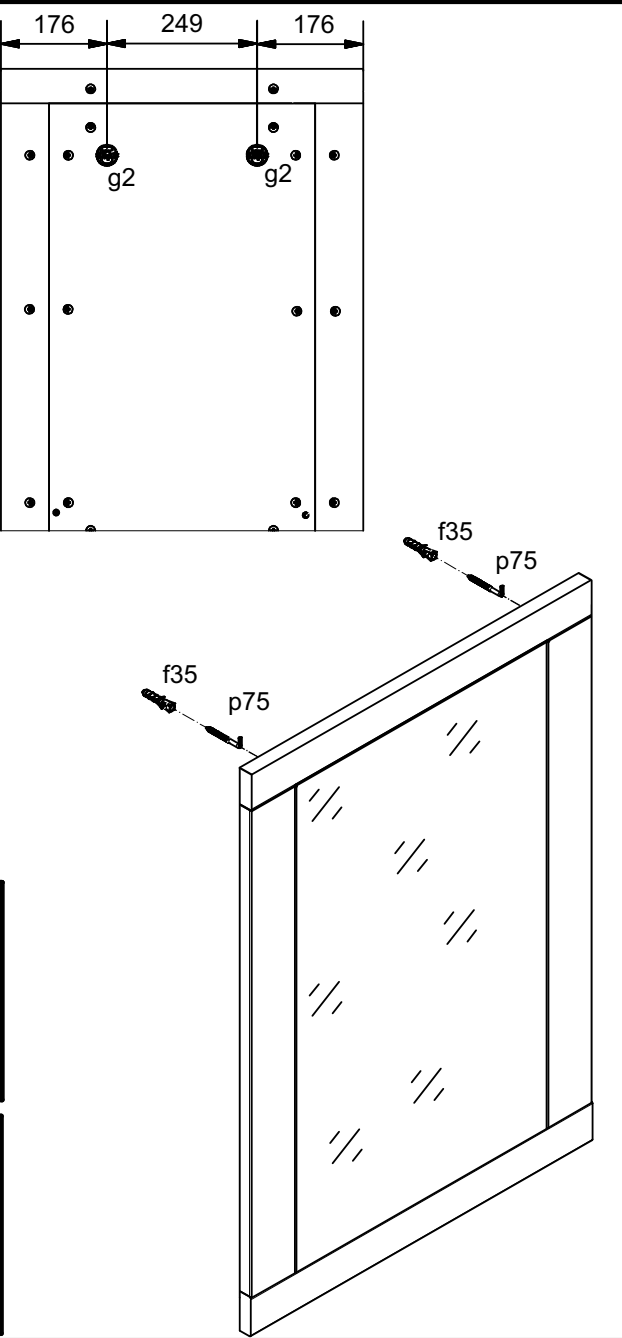
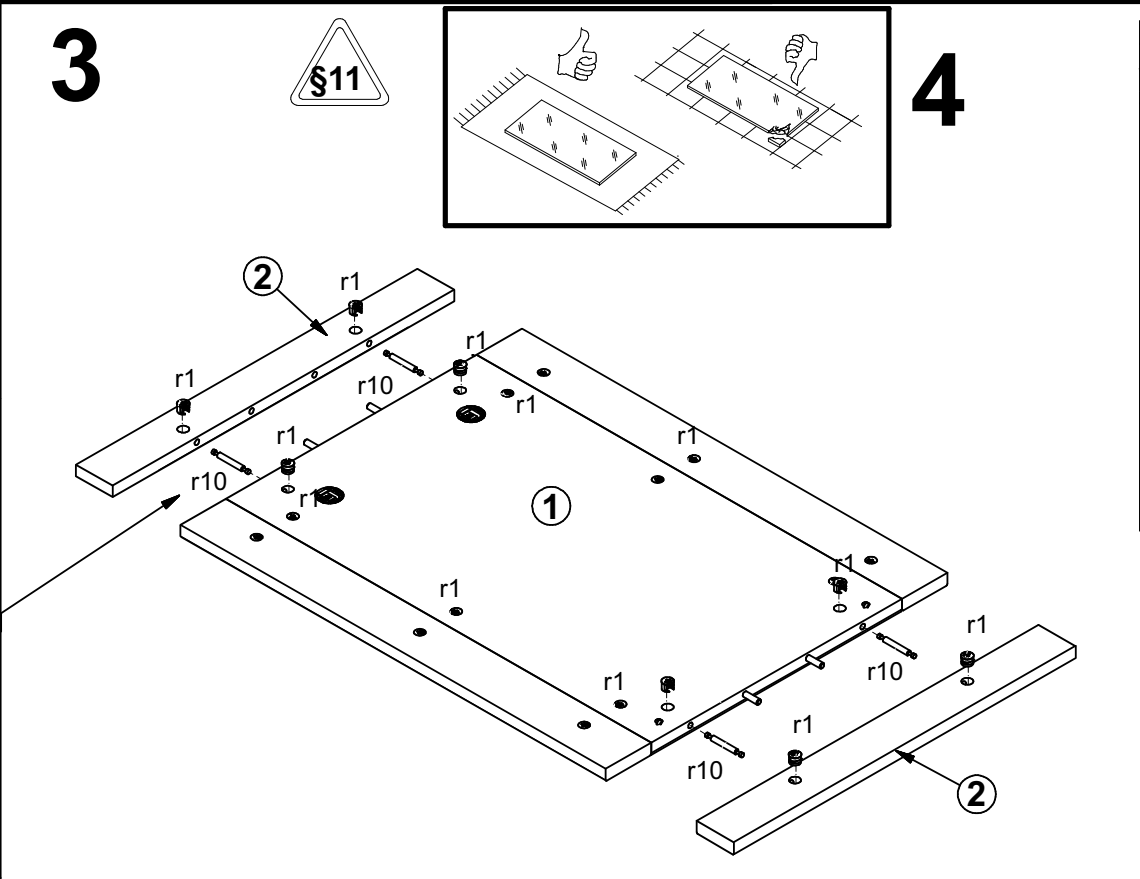
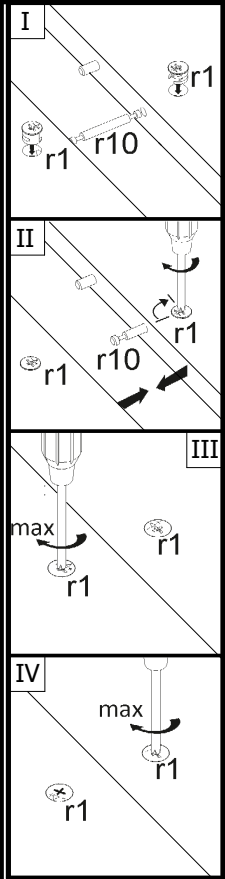
1



2



# A S228-LUS/10/6



5

