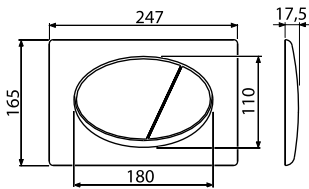


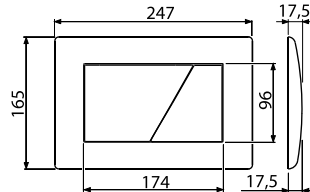


## M7x ■ M17x ■ M27x ■ M37x ■ M47x M137x ■ M147x

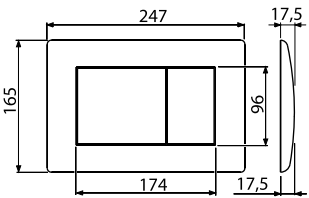
[ mm ]



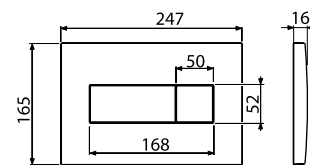
M70, M71, M72, M73, M75



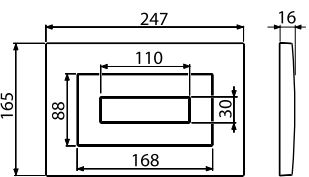
M170, M171, M172, M173, M175



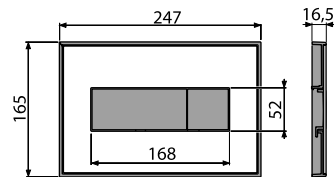
M270, M271, M272  
M275, M277, M278



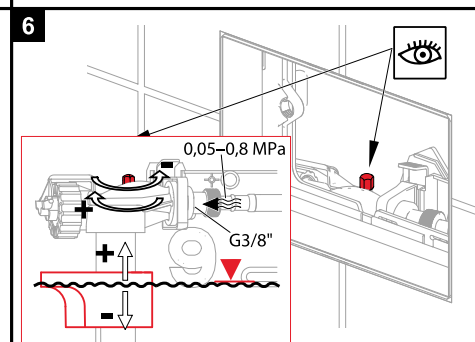
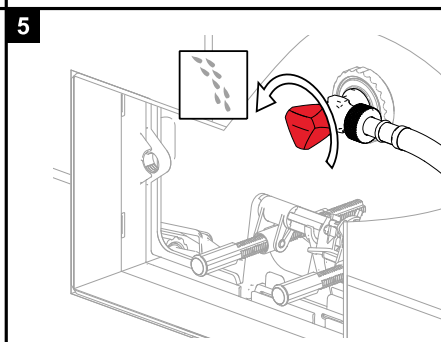
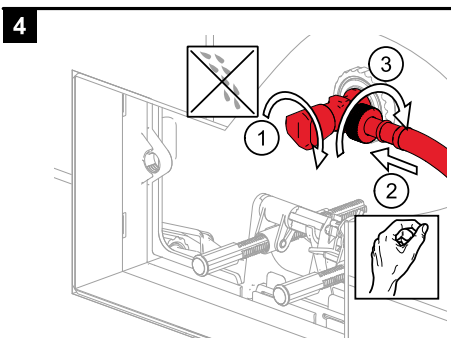
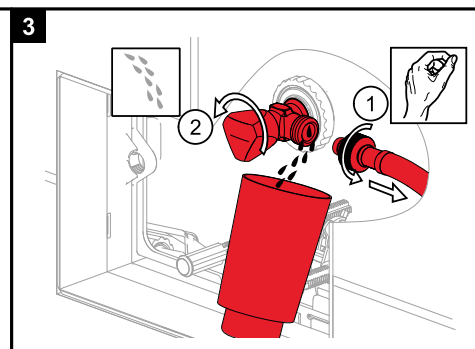
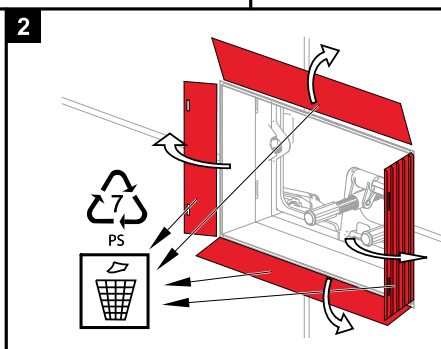
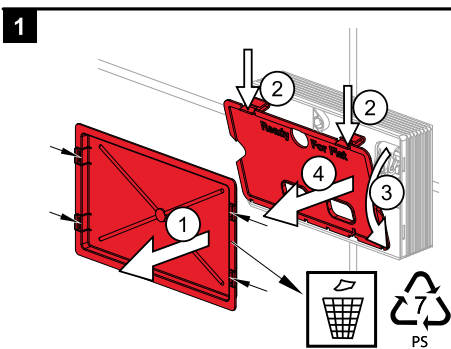
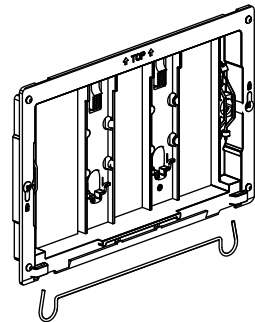
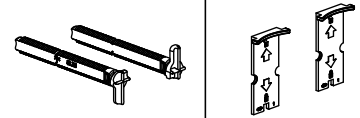
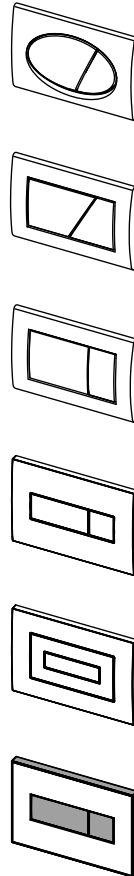
M370, M371, M372, M375, M378



M470, M471, M472, M475, M478



M1370, M1371, M1372, M1374,  
M1375, M1376,  
M1470, M1471, M1472, M1474,  
M1475



**7**

**8** A100, A101, A102, A112, A115, A116  
AM100, AM101, AM102, AM112, AM115, AM116

SLIM - A1101B, A1112B, A1115B  
AM1101B, AM1112B, AM1115B

**9**

**10**

**11**

(min 20 mm)

**L = 28 mm**

**L = 21 mm**

**L = 20 mm**

**12**

**13**

**14**

ZIRAVINA / CAUSTIC / CI

Alca plast, s. r. o.  
Bratislavská 2846, 690 02 Břeclav, Česká republika  
Tel.: +420 519 821 117 – prodej ČR  
Tel.: +420 519 821 041 – export, Fax: +420 519 821 083  
e-mail: [alcaplast@alcaplast.cz](mailto:alcaplast@alcaplast.cz), [www.alcaplast.cz](http://www.alcaplast.cz)  
© 2018 Alcaplast, s.r.o.