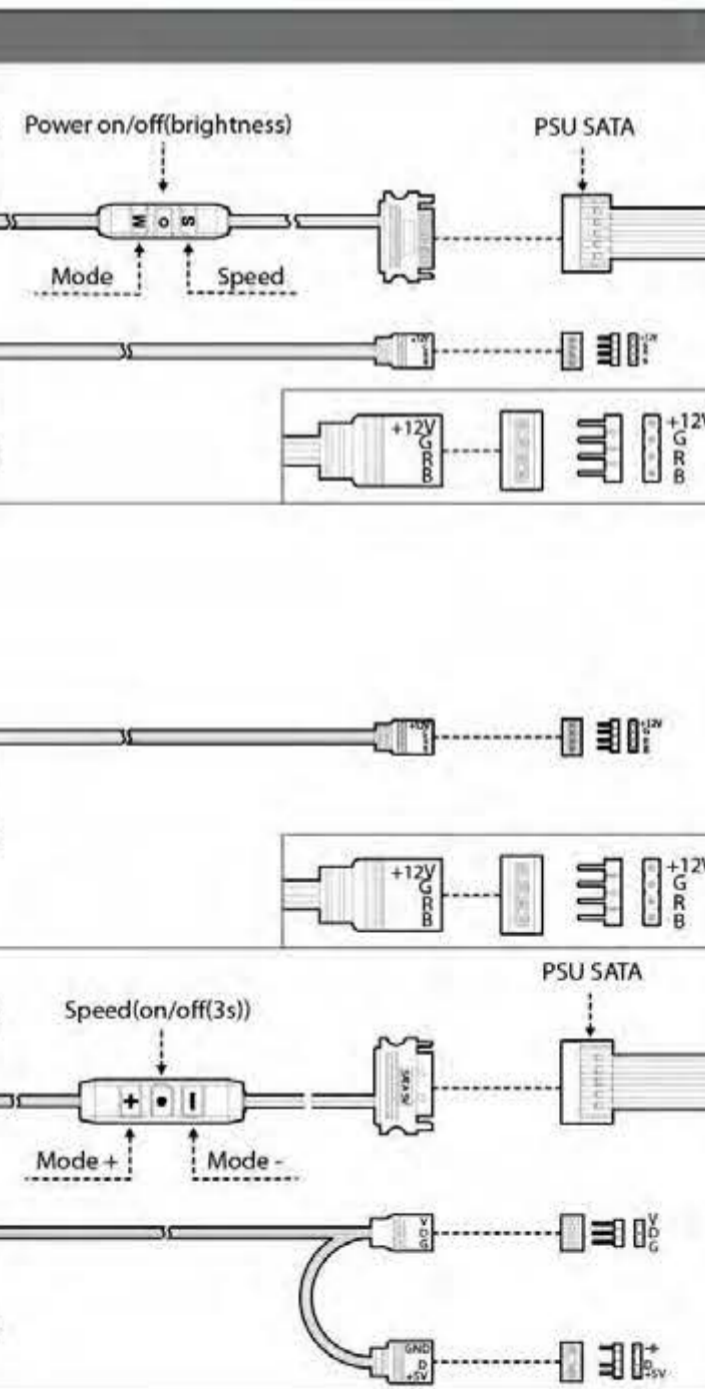
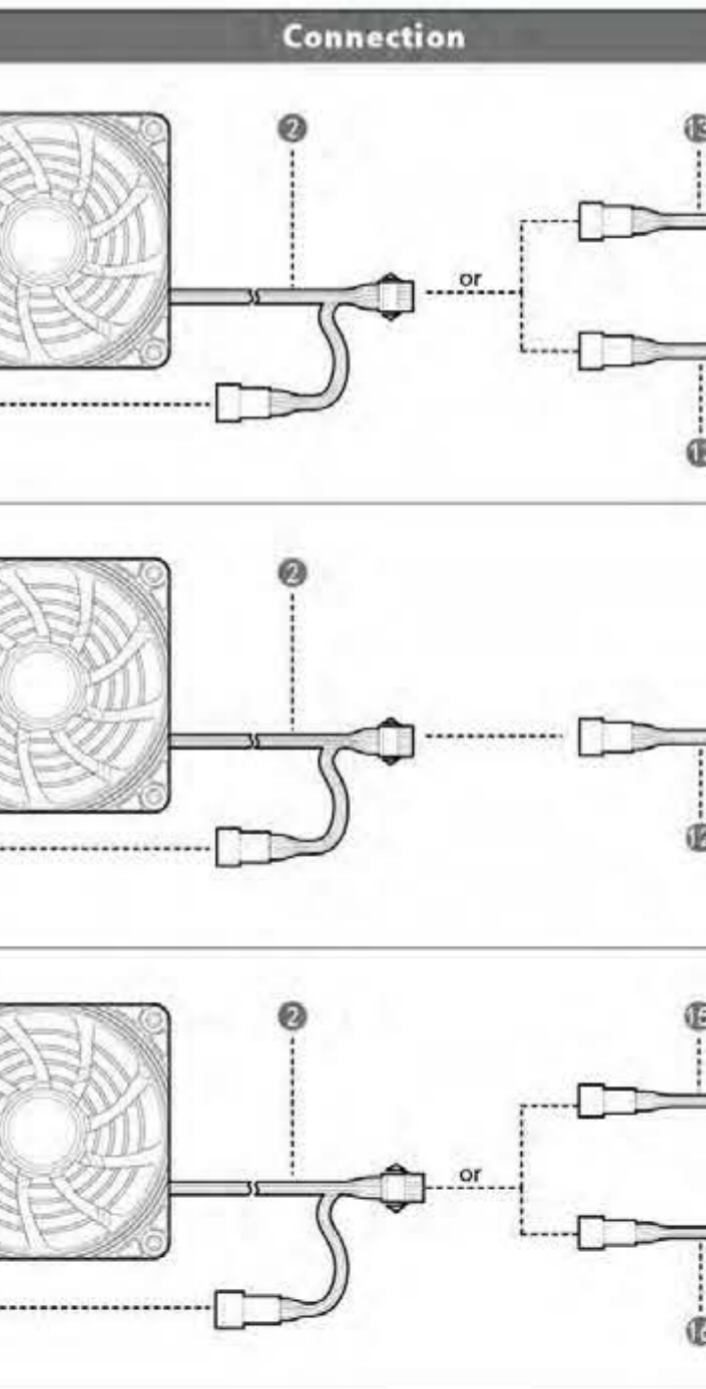
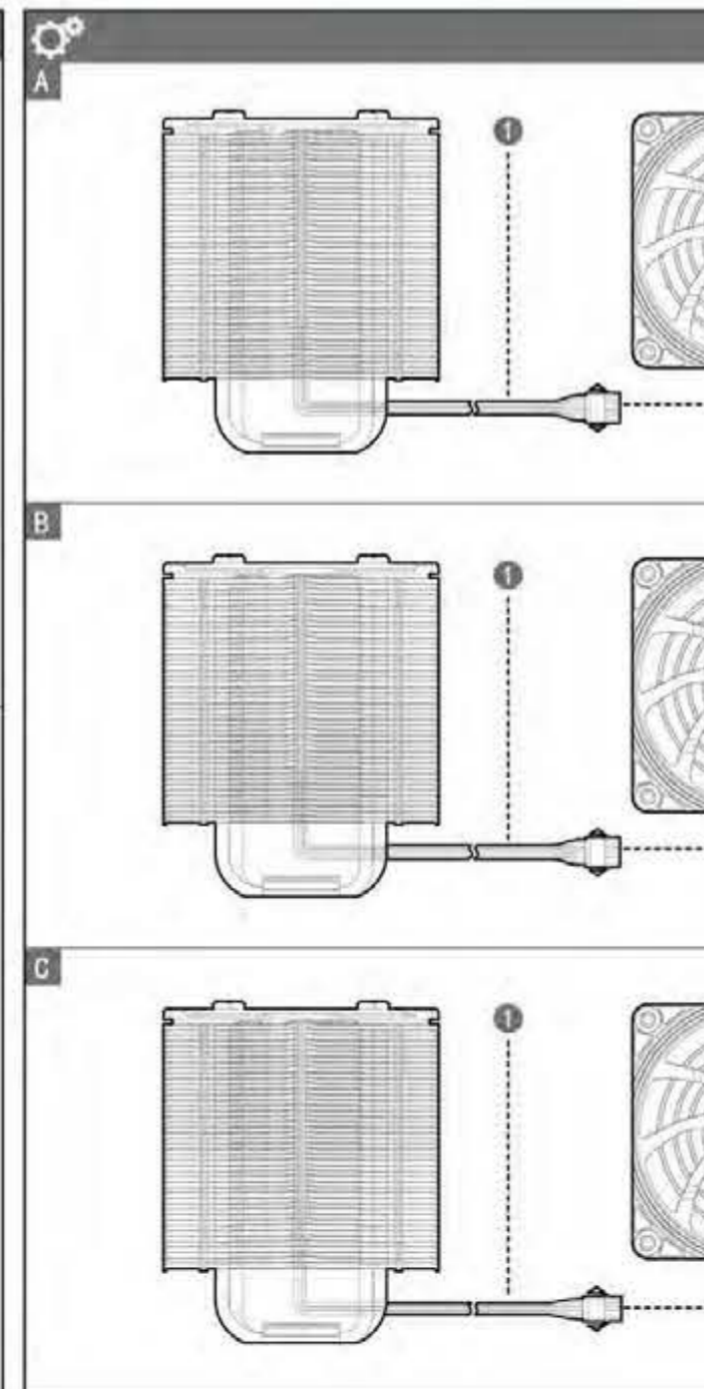
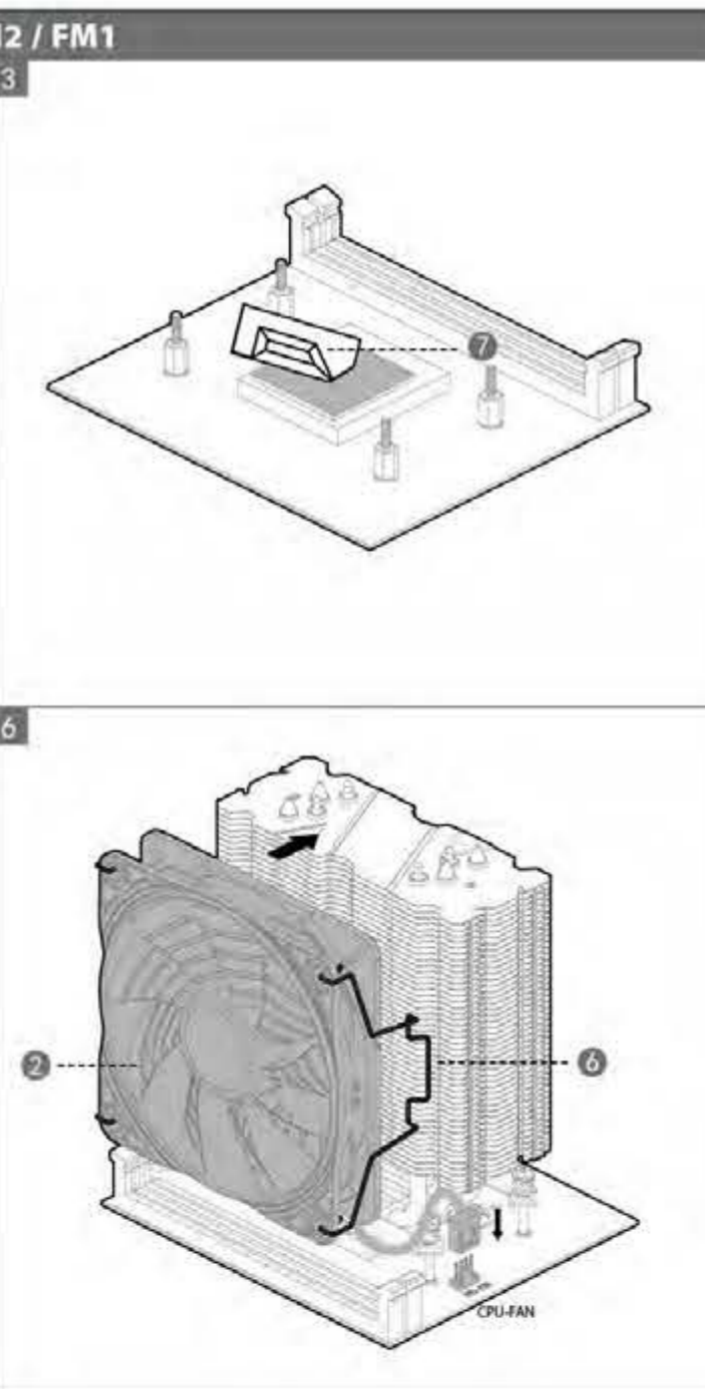
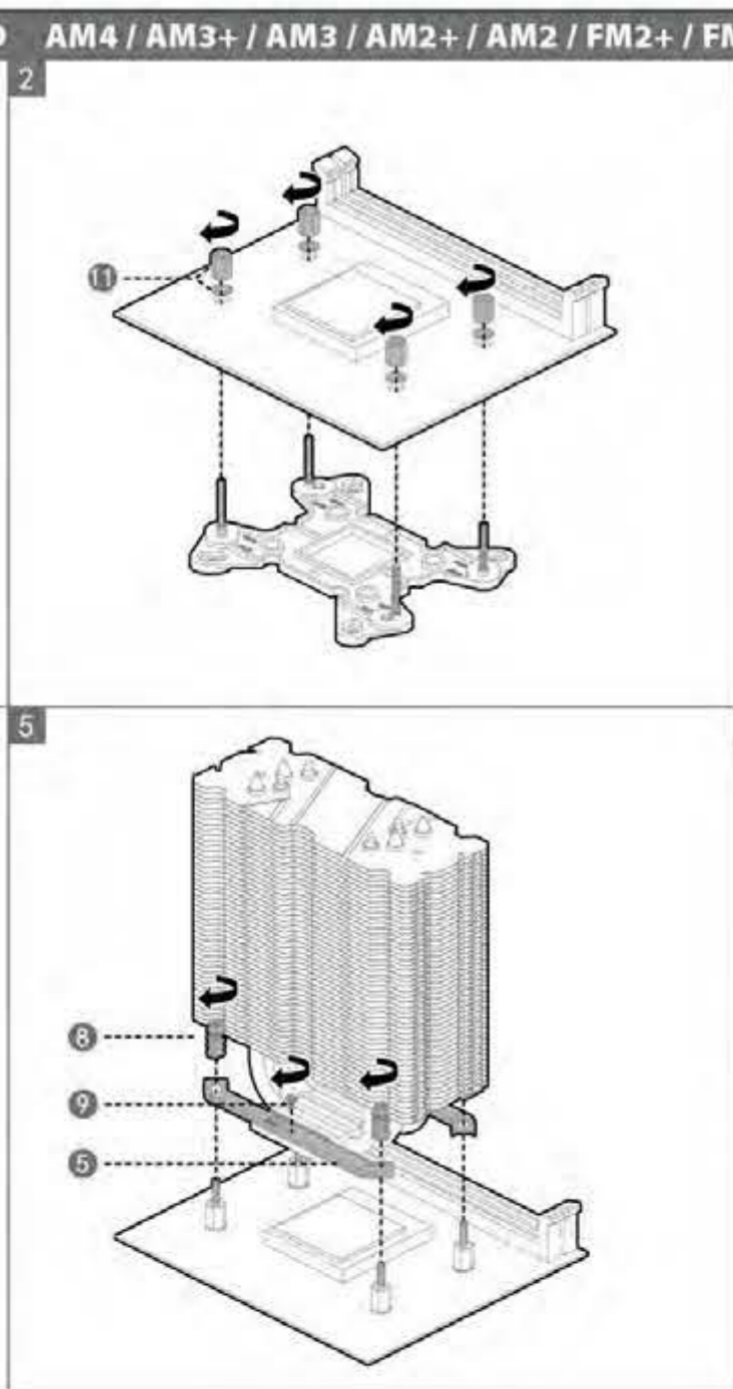
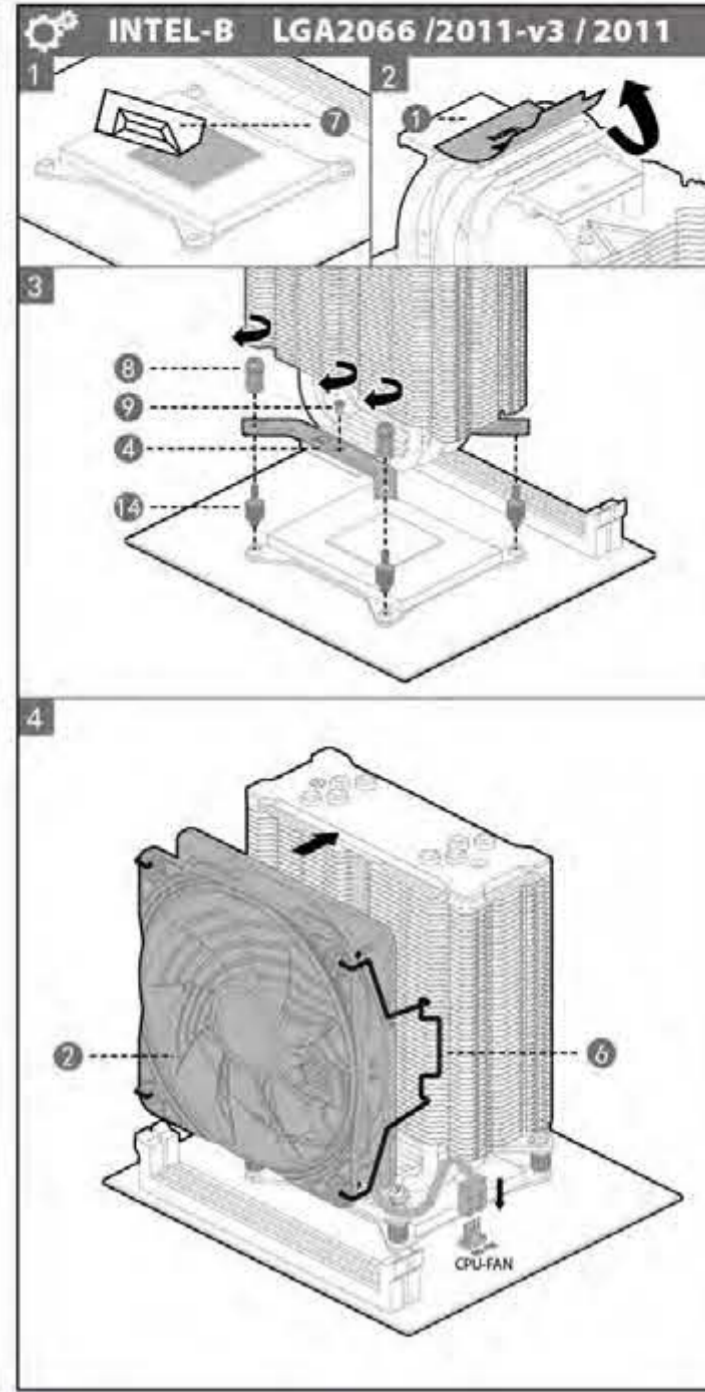
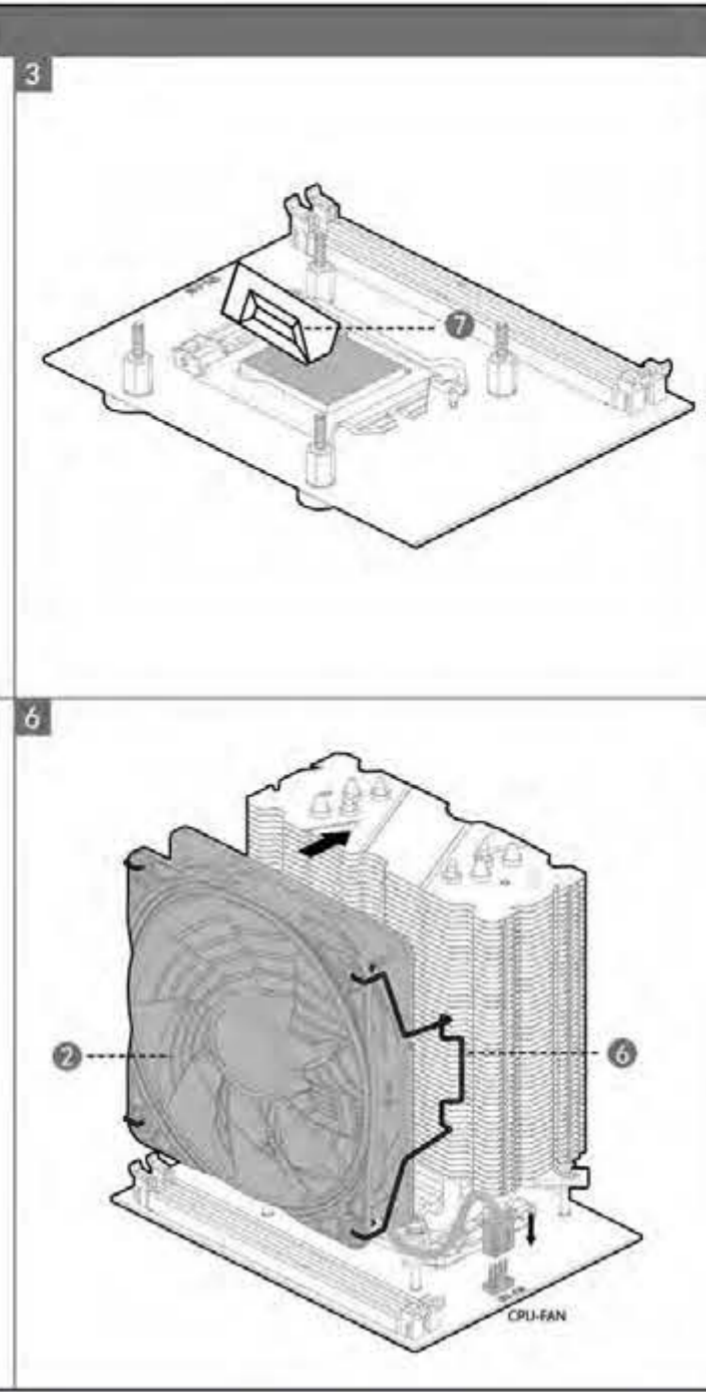
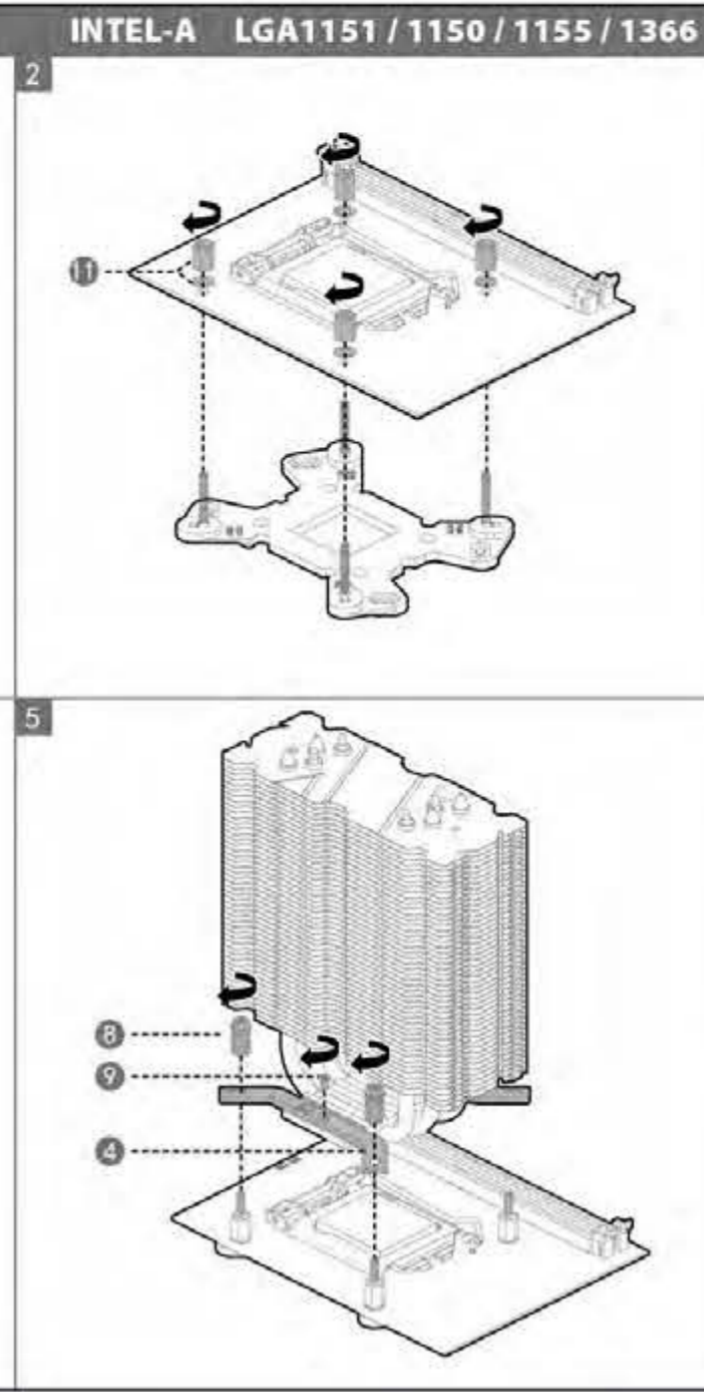
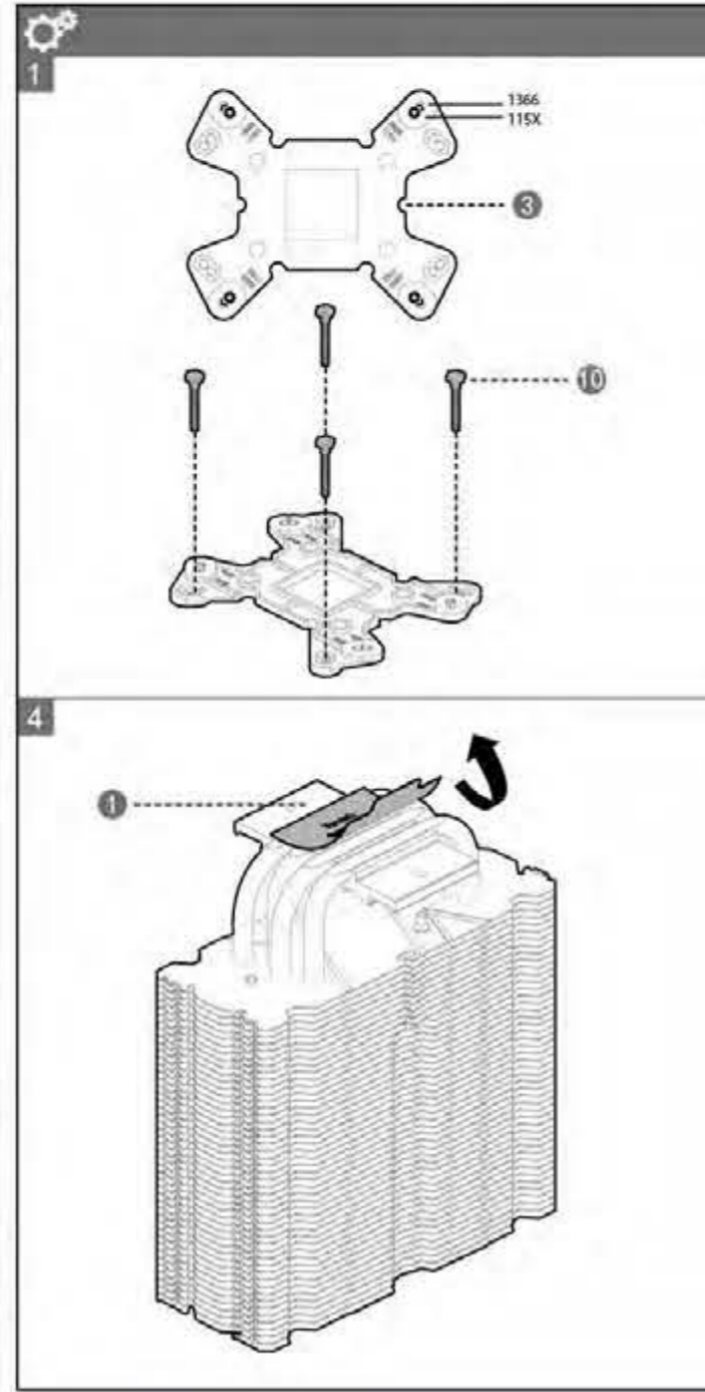


GAMMAX400/GT/GTE Series

Configuration table			
Product Name	Parts	Socket Compatibility	Connection
GAMMAXX 400S	1-11	INTEL/AMD	—
GAMMAXX 400S(INTEL)	1-4/9-11	INTEL-A	—
GAMMAXX GT S	1-12	INTEL/AMD	B
GAMMAXX 400 V2(Red)	1-11	INTEL/AMD	—
GAMMAXX 400 V2(Blue)	1-11	INTEL/AMD	—
GAMMAXX GTE V2	1-12	INTEL/AMD	B
GAMMAXX GTE V2(White)	1-11	INTEL/AMD	—
GAMMAXX GTE V2(Black)	1-11	INTEL/AMD	—
GAMMAXX GT V2	1-14	INTEL/INTEL/AMD	A
GAMMAXX GT A RGB	1-11/14-16	INTEL/INTEL/AMD	C



For further information, please consult [www.deepcool.com](http://www.deepcool.com)

For further information, please consult [www.deepcool.com](http://www.deepcool.com)

For further information, please consult [www.deepcool.com](http://www.deepcool.com)

For further information, please consult [www.deepcool.com](http://www.deepcool.com)

For further information, please consult [www.deepcool.com](http://www.deepcool.com)