



The QBX's elegant, hairline surface front panel is the face of an ultra-compact case with one of the most stylish designs a pc case has ever seen. With the ability to house a full powered gaming computer with the latest technology, it allows the user to install up to 7 fans, thus providing the absolute best cooling on the market for a case of its kind.

Enjoy full gaming and media capabilities wherever you want.



QBX

Ultra-Compact Pro Gaming Mini-ITX Case



ATTENTION

Supports ONLY Slot Loading Slim ODD

IMPORTANT

QBX's ultra-compact format requires a Power Supply Unit that conforms to certain format standards. Please pay attention to a Power Supply Unit's AC Socket and Plug's orientation and confirm it corresponds to one of the formats defined in the pictures below.



YES

NO

The format below is NOT compatible with QBX

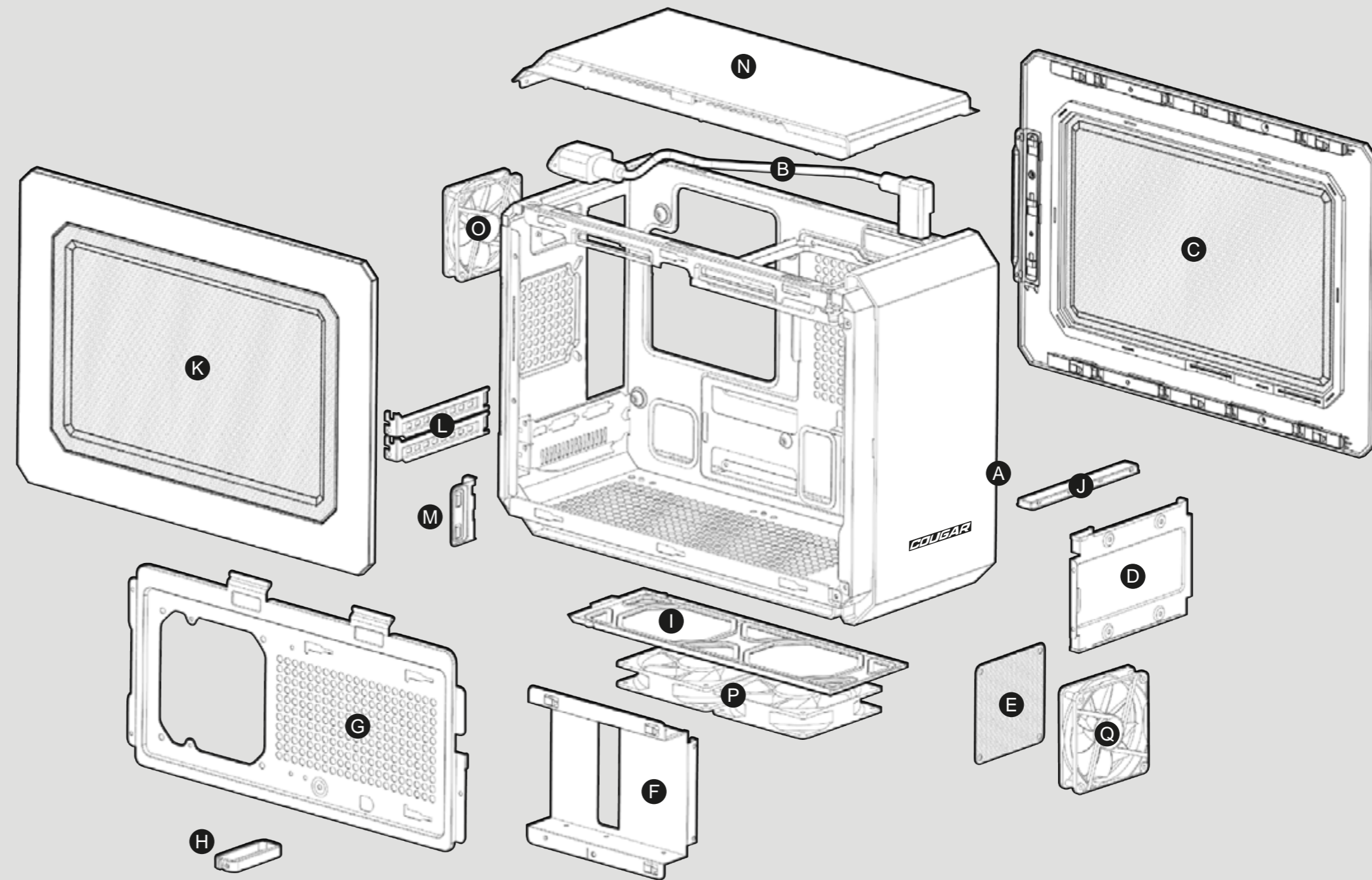
Accessory Kit

	Power Supply Screws	X 4
	MBD/HDD screws	X 8
	SSD/ 12.7mm ODD screws	X 8
	9.5mm ODD screws	X 4
	Short fan screws	X 8
	Long fan screws	X 12
	Cable Ties	X 2
	9.5mm ODD bracket	X 2

Compucase Enterprise Co.,Ltd.
No. 225, Lane 54, An Ho Road Sec. 2 Tainan,
Taiwan, R.O.C.
Tel:+886-6-356-0606
Service E-Mail: service@cougargaming.com

More information you will find at cougargaming.com
Compucase Enterprise Co.,Ltd.
All rights reserved.
www.cougargaming.com

Assembly Drawing



- A** USB 3.0 (two ports): Enjoy the full power of new generation peripherals.
- B** Power cord extension to allow the power supply, connected through QBX's backside, to reach the PSU (located inside the case).
- C** Removable right side panel to easily manage cables behind the motherboard tray.
- D** ODD bay cage (compatible with both slim ODD and 2.5" HDD/SSD).
- E** Front fan filter to prevent dust entry into the chassis.
- F** HDD bay cage supports two 2.5" HDD/SSD and one 3.5" HDD at the same time.
- G** Cage holder supports:
If the HDD bay cage **F** is not installed: An up to 240mm radiator with/or a single 120mm fan.
If the HDD bay cage **F** is installed: a 120mm fan.
- H** Power bracket to fix the PSU.
- I** Air filter for the bottom cover to prevent dust from entering the case.
- J** Rubber cover to prevent dust from entering the opening if a Slim ODD has not been installed.
- K** Left side mesh cover with ventilation exits.
- L** Vented slot covers for better cooling performance.
- M** Slot Side Cover.
- N** Removable top cover to easily install PSU and 2 x 120mm fans.
- O** 1x (pre-installed) 90mm Rear Panel Fan to rapidly exhaust the hot air from the inside and keeping the case cool.
- P** 2x (optional, purchased separately) 120mm bottom Cover Fans for effective graphics cards cooling.
- Q** 1x (optional, purchased separately) 80mm Front Panel Fan for effective cooling of HDDs and graphics cards.