



msi

**MAG
VAMPIRIC 100R**






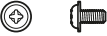



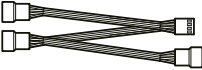
**MAG
VAMPIRIC 100L**

User Guide
使用手冊

Contents / 目錄

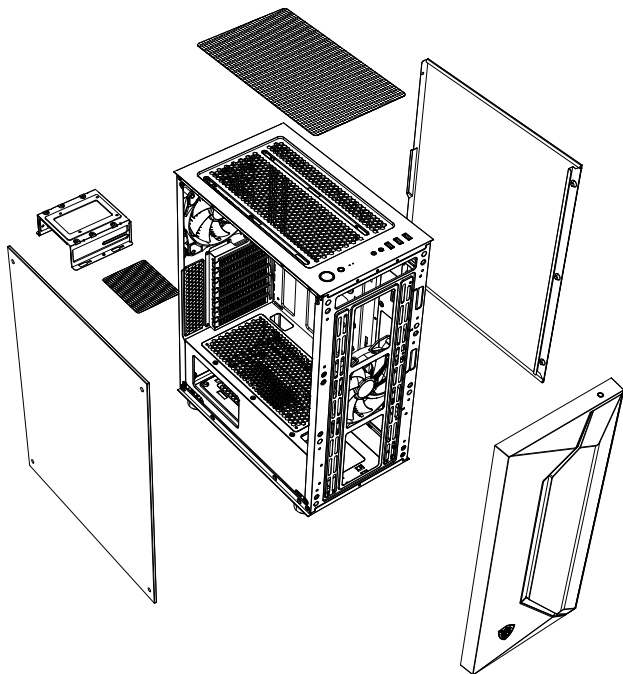
Accessories / 配件	3
Specification / 產品規格.....	4
Case Features / 機殼特色.....	5
Side & Front View/ 側面和前面.....	6
IO Panel / IO 面板.....	7
SSD , HDD Installation/ SSD 和硬碟安裝方式.....	8
2.5" SSD , HDD Installation/ 2.5" SSD 和硬碟安裝方式.....	9
Opening the Left & Right Side Cover/ 開啟左右側板.....	10
Motherboard Installation / 安裝主機板.....	11
ARGB Fan Connection / 連接 ARGB 風扇.....	12
Graphics Card Installation / 安裝顯示卡.....	13
PSU Installation / 安裝電源供應器.....	14

Accessories / 配件

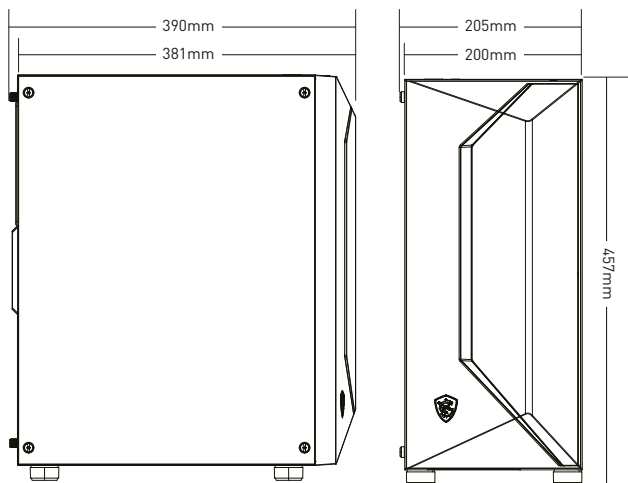
Item 項目	Name 名稱 / Q'ty 數量	Used for 用途
	Cable ties 束綫帶 x5	Cable management 整線
	PCI slot cover PCI 插槽擋片 x2	PCI slot protection 保護 PCI 插槽
	Fan screws 風扇長螺絲 x2	Front 120/140mm fan 前置 120/140mm 風扇
	Screw #6-32 10mm 手轉螺絲 x2	Securing drive tray 固定硬碟托架
	Screw #6-32 6.5mm x4	Motherboard Stud 主機板螺柱
	Screw M3 5mm x17	Motherboard / SSD 主機板 / SSD
	Screw #6-32 6mm 六角螺絲 x6	PSU / PCIe Card 電源供應器 / PCIe 卡
	Screw #6-32 5mm 圓頭螺絲 x4	3.5" HDD 3.5" 硬碟
	Screw #6-32 4mm 硬碟導軌螺絲 x3	3.5" HDD 3.5" 硬碟
	1 to 3 fan splitter cable 1 對 3 風扇分接線 x1 (MAG VAMPIRIC 100R only)	Connect 3 fans 連接 3 個風扇

Specification / 產品規格

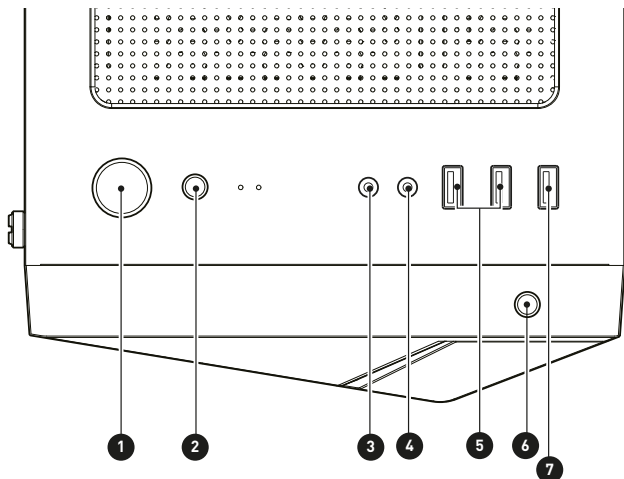
	MAG VAMPIRIC 100R	MAG VAMPIRIC 100L
Pre-installed	Front: 1x 120 mm Black fan Rear: 1x 120 mm ARGB fan	No pre-installed fan
Case Dimensions (mm)	390(D) x 205(W) x 457(H)	
Motherboard Support	ATX / Micro-ATX / Mini-ITX	
Drive Bays	2x 3.5" Included (1x compatible with 2.5") 2x 2.5" Included	
IO Panel	1x LED switch button 2x USB 2.0 Type-A ports 1x USB 3.2 Gen 1 Type-A port 1x Mic in jack 1x Audio out jack 1x Reset button 1x Power button	
Clearance	CPU Cooler Hight: Max 160 mm Graphics Card Length: Max 300 mm PSU Length: Standard ATX 160 mm	
Fan Support	Front: Up to 3x 120 mm or 2x 140 mm Top: Up to 2x 120 mm Rear: Up to 1x 120 mm	
Radiator Support	Front: Up to 240 mm Rear: Up to 120mm	
Material	Left Side: Tempered Glass Right Side: Metel Front: Mesh Top: Metel	



Side & Front View/ 側面和前面



IO Panel / IO 面板



1. Power button / 電源按鈕
2. Reset button / 重新開機按鈕
3. Mic in / 音訊輸入
4. Audio out / 音訊輸出
5. USB 2.0 Type-A
6. LED switch button / LED 切換按鈕

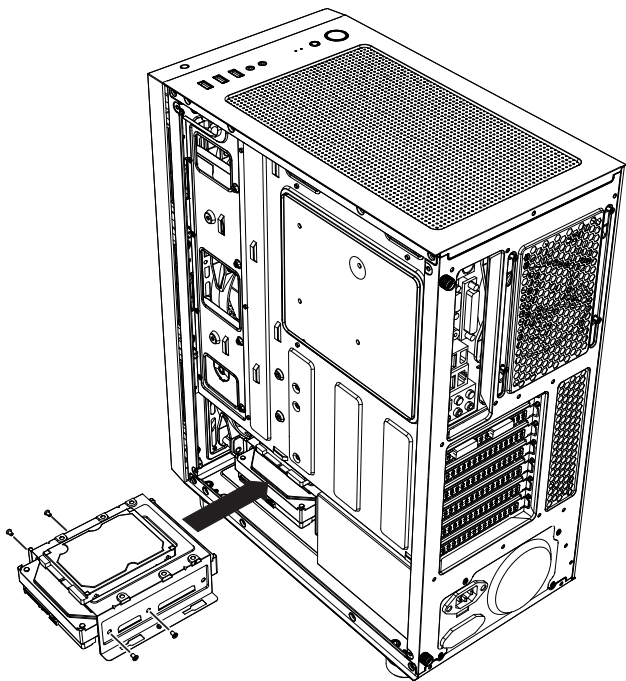
Short press the LED switch button to change mode.

短按 LED 切換按鈕改變模式。

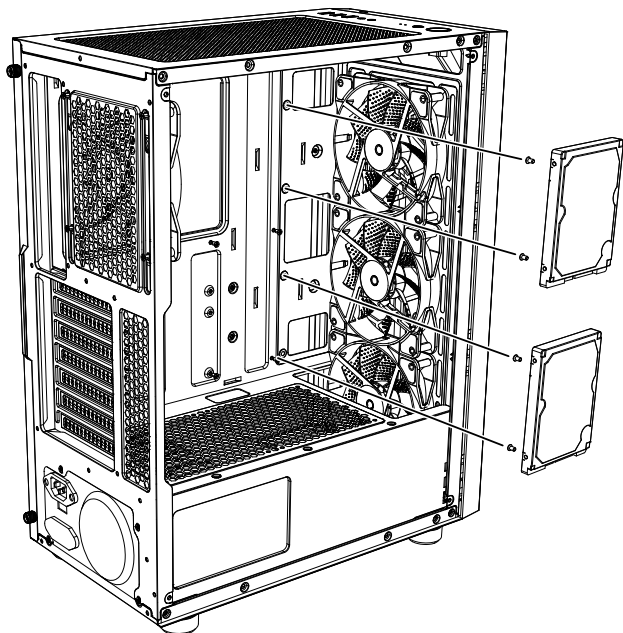
Long press the LED switch button for 3 seconds to turn LED off.

長按 LED 切換按鈕 3 秒鐘以關閉 LED。

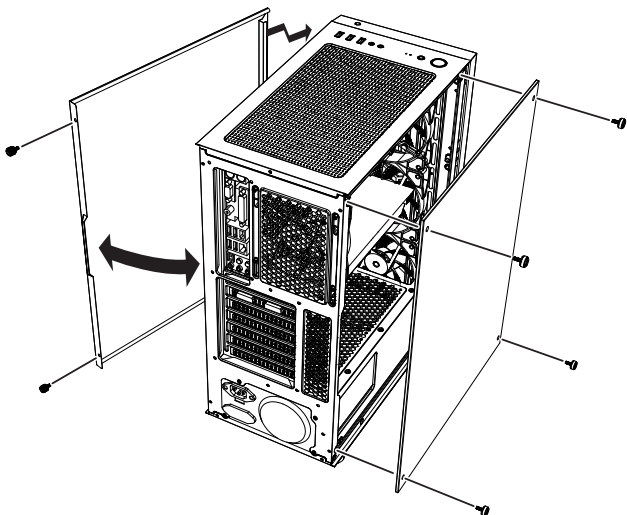
7. USB 3.2 Gen 1 Type-A

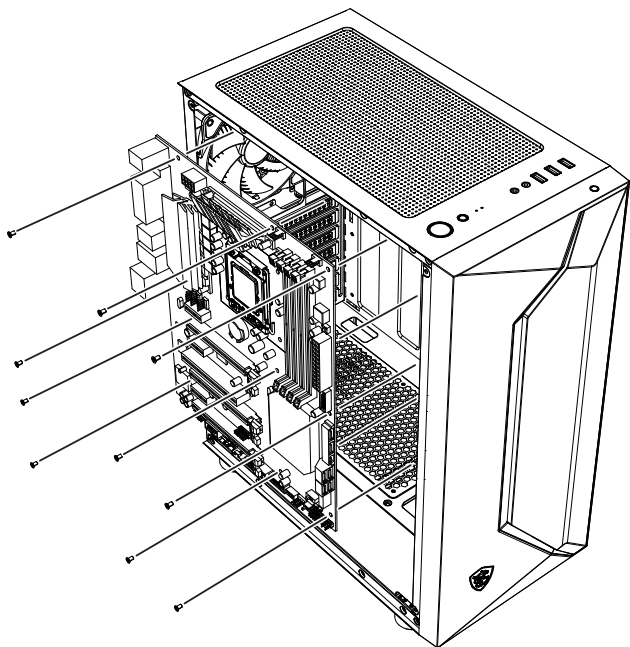


2.5" SSD , HDD Installation/ 2.5" SSD 和硬碟安裝方式



Opening the Left & Right Side Cover/ 開啟左右側板





ARGB Fan Connection / 連接 ARGB 風扇

The following setup allows to connect ARGB fan only, please do not connect ARGB fan to the motherboard.

以下配置僅供 ARGB 風扇串聯，請勿將 ARGB 風扇連接至主機板。

