



msi

MFG

SEKIRA 100R

MFG

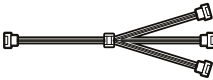


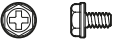

SEKIRA 100P

User Guide
使用手冊

Contents / 目錄

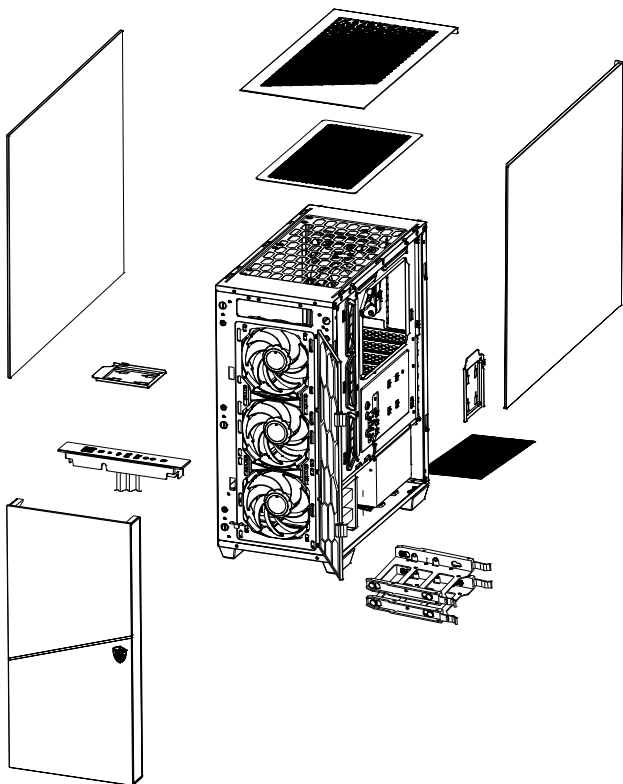
Accessories / 配件	3
Specification / 產品規格.....	4
Case Features / 機殼特色.....	5
Side & Front View/ 側面和前面.....	6
IO Panel / IO 面板.....	7
SSD , HDD Installation/ SSD 和硬碟安裝方式.....	8
Opening the Top Cover, Left & Right Side Cover/ 開啟上蓋 & 左右側板.....	9
Motherboard Installation / 安裝主機板.....	10
Cables Connection / 連接接頭.....	11
Graphics Card Installation / 安裝顯示卡.....	12
PSU Installation / 安裝電源供應器.....	13

Accessories / 配件

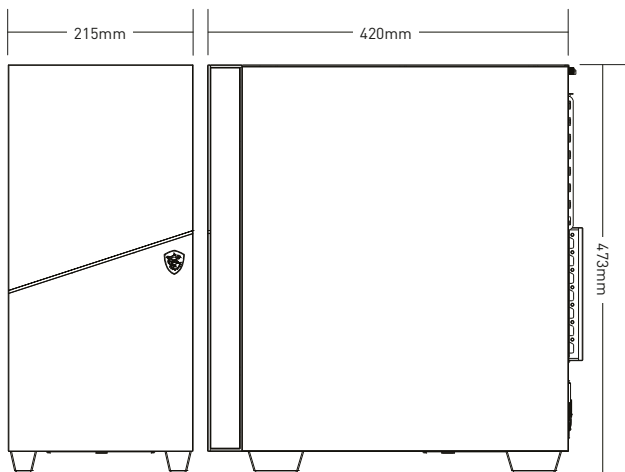
Item 項目	Name 名稱 / Q'ty 數量	Used for 用途
	1 to 3 fan splitter cable 1 對 3 風扇分接線 x1	Connect 3 fans 連接 3 個風扇
	Cable ties 束綫帶 x6	Cable management 整線
	Screw M3 5mm x17	Motherboard / SSD 主機板 / SSD
	Screw #6-32 6mm 六角螺絲 x6	PSU / PCIe Card 電源供應器 / PCIe 卡
	Screw #6-32 6mm 手轉螺絲 x2	HDD 硬碟

Specification / 產品規格

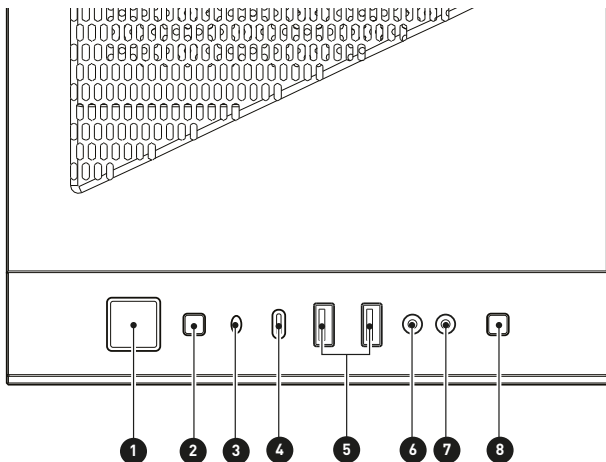
	MPG SEKIRA 100R	MPG SEKIRA 100P
Pre-installed	Front: 3x 120 mm ARGB fans Rear: 1x 120 mm ARGB fan	Front: 3x 120 mm Black fans Rear: 1x 120 mm Black fan
Case Dimensions (mm)	420(D) x 215(W) x 473(H)	
Motherboard Support	E-ATX/ ATX / Micro-ATX / Mini-ITX	
Drive Bays	2x 2.5" SSD trays 2x 3.5" + 2.5" combo trays	
IO Panel	1x Power button 1x Reset button 1x Power indicator 1x USB 3.2 Gen 2 Type-C port 2x USB 3.2 Gen 1 Type-A ports 1x Mic in jack 1x Audio out jack 1x LED switch button	
Clearance	CPU Cooler Hight: Max 170 mm Graphics Card Length: Max 340 mm PSU Length: Standard ATX 250 mm	
Fan Support	Front: Up to 3x 120 mm or 2x 140 mm Top: Up to 2x 120 mm or 2x 140 mm Rear: Up to 1x 120 mm	
Radiator Support	Front: Up to 360 mm Top: Up to 240 mm Rear: Up to 120 mm	
Material	Left Side: Tempered Glass Right Side: Metel Front: Aluminum+Tempered Glass / Aluminum Top: Metel	



Side & Front View/ 側面和前面



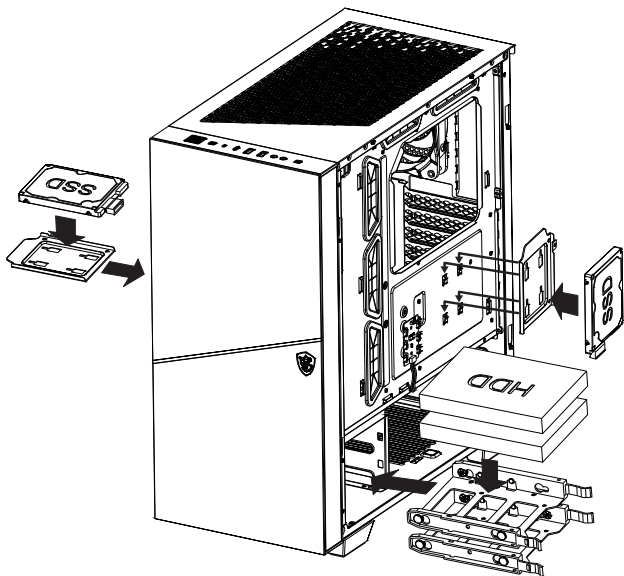
IO Panel / IO 面板



1. Power button / 電源按鈕
2. Reset button / 重新開機按鈕
3. Power indicator / 電源指示燈
4. USB 3.2 Gen 1 Type-C
5. USB 3.2 Gen 1 Type-A
6. Mic in / 音訊輸入
7. Audio out / 音訊輸出
8. LED switch button / LED 切換按鈕

Short press the LED switch button to change mode.
短按 LED 切換按鈕改變模式。

Long press the LED switch button for 3 seconds to turn LED off.
長按 LED 切換按鈕 3 秒鐘以關閉 LED。



Opening the Top Cover, Left & Right Side Cover/
開啟上蓋 & 左右側板

