

GERMANY'S NO. 1*
PSU MANUFACTURER

be quiet!®



DARK POWER PRO 12

CUTTING EDGE TECHNOLOGIES AND PERFORMANCE

1500W • 1200W

IDEAL APPLICATIONS

Advanced, high-resolution gaming
Overclocked systems
Media creating
Multi-GPU workstations

HIGHLIGHTS

Highest efficiency available (80 PLUS® Titanium)
Fully digital control and full-bridge for best possible efficiency and regulation
Frameless Silent Wings fan for virtually inaudible operation
Individually sleeved cables, overclocking key, aluminum case

Cutting Edge Technologies And Performance

The be quiet! Dark Power Pro 12 offers 80 PLUS Titanium efficiency and world class performance due to fully digital control and frameless fan concept. The most technologically-advanced PSU be quiet! has ever built.

Highlights »

- 80 PLUS Titanium efficiency (up to 94,9%)
- Fully digital control (PFC, LLC, SR/12V) and Full-Bridge topology for world class regulation and low ripple noise
- Patented frameless Silent Wings fan for virtually inaudible operation at ordinary load
- Redesigned funnel shape opening for a larger cooling area
- Full mesh PSU front for maximum airflow
- Overclocking key switches between six 12V-rails and one massive 12V-rail
- Wire-free inside the PSU for enhanced cooling and longevity
- Japanese 105°C capacitors ensure highest stability and reliability
- Aluminum case and modular individually sleeved cables for magnificent appearance
- Ten-year manufacturer's warranty
- Product conception, design and quality control in Germany



*According to the yearly PC Games Hardware's „Manufacturer of the year“ election (2006-2019) and market data from GfK (2007-2020).

DARK POWER PRO 12

CUTTING EDGE TECHNOLOGIES AND PERFORMANCE

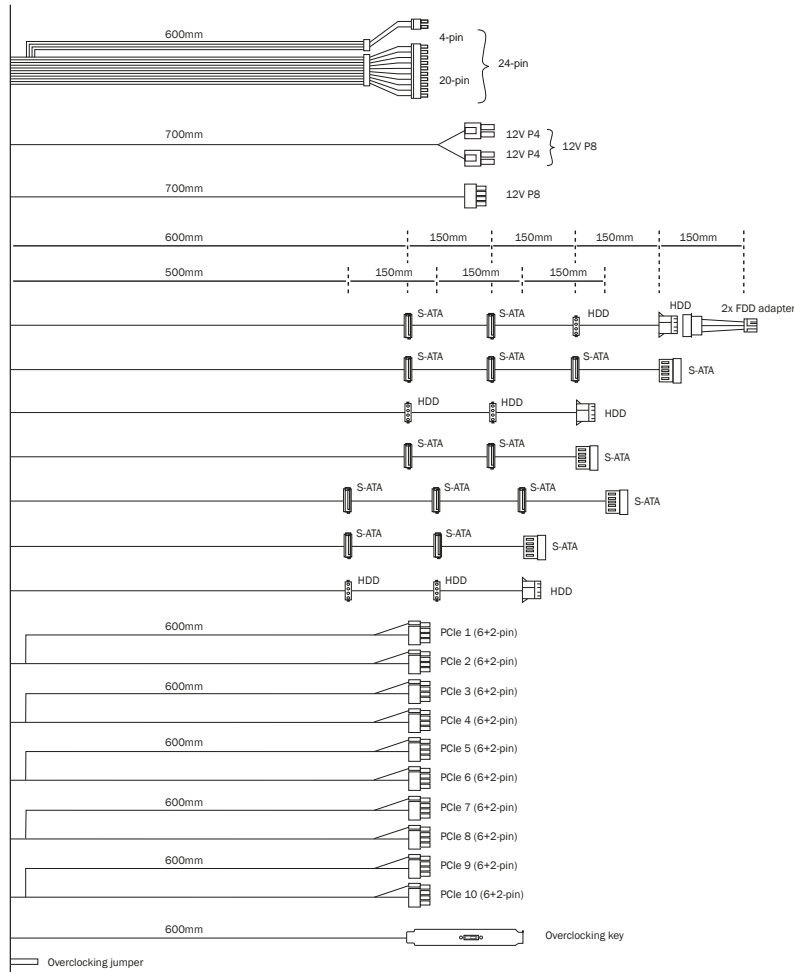
Technical Data »			
IN GENERAL	Model	1500W	1200W
	Article no.	BN312	BN311
	EAN Code	4260052187432	4260052187425
	Voltage (Vac) / Frequency (Hz)	100 - 240 / 50 - 60	100 - 240 / 50 - 60
	Dimensions (L x W x H)	200 x 150 x 86	200 x 150 x 86
	ATX 12V 2.51 / EPS 12V 2.92	✓ / ✓	✓ / ✓
	Wire-free (DC-side)	✓	✓
	Silent Wings fan (mm)	135	135
	Noise level (dB(A)) at 20 / 50 / 100% load	12.1 / 12.4 / 31.5	11.2 / 11.7 / 25.8
	12V rail (Multi-Rail) / 12V Single Rail	6 / ✓	6 / ✓
	Overclocking Key / Jumper	✓ / ✓	✓ / ✓
	Power Good signal	100-150ms	100-150ms
	PFC	active	active
	Certification / Efficiency (%) at 230V	80 PLUS® Titanium / 94,9%	80 PLUS® Titanium / 94,7%
	Energy Star 7.0 compatible	✓	✓
	ErP ready / Power in stand-by (W)	✓ / <0.06	✓ / <0.06
	OC, OVP, UVP, SCP, OPP, OTP	✓	✓
Lifetime of PSU at 25°C (h)	300,000	300,000	
CABLES	No. of cables	17	17
	Maximum cable length (cm)	120	120
	Length of ATX-connection cable (cm)	60	60
	Cable management	Modular	Modular
	Sleeved cables	individually sleeved	individually sleeved
CONNECTORS	ATX motherboard (20+4-pin)	✓	✓
	PCI express (6+2-pin)	10	10
	P8-/P4-connector	1x P4+4 / 1xP8	1x P4+4 / 1xP8
	S-ATA	16	16
	P-ATA	8	8

Output Data »													
AC Input		110-240Vac 50-60Hz 17-9A											
DC Output		3.3V	5V	12V1	12V2	12V3	12V4	12V5	12V6	-12V	5VsB		
1500W	Max. Current	25A	25A	40A	40A	40A	40A	45A	45A	0.5A	3.5A		
	Max. Combined Power	150W		125A						1500W		6W	17.5W
		1500W											
AC Input		100-240Vac 50-60Hz 16-8A											
DC Output		3.3V	5V	12V1	12V2	12V3	12V4	12V5	12V6	-12V	5VsB		
1200W	Max. Current	25A	25A	35A	35A	35A	35A	40A	40A	0.5A	3.5A		
	Max. Combined Power	150W		100A						1200W		6W	17.5W
		1200W											

DARK POWER PRO 12

CUTTING EDGE TECHNOLOGIES AND PERFORMANCE

Cables »



Logistics data »

Region	Model	Article no	EAN code
EU	Dark Power Pro 12 1500W	BN312	4260052187432
EU	Dark Power Pro 12 1200W	BN311	4260052187425
AU	Dark Power Pro 12 1500W	BN817	4260052187746
AU	Dark Power Pro 12 1200W	BN816	4260052187739
US	Dark Power Pro 12 1500W	BN647	4260052187722
US	Dark Power Pro 12 1200W	BN646	4260052187715
TW	Dark Power Pro 12 1500W	BN944	4260052187760
TW	Dark Power Pro 12 1200W	BN943	4260052187753
CN	Dark Power Pro 12 1500W	BN946	4260052187784
CN	Dark Power Pro 12 1200W	BN945	4260052187777

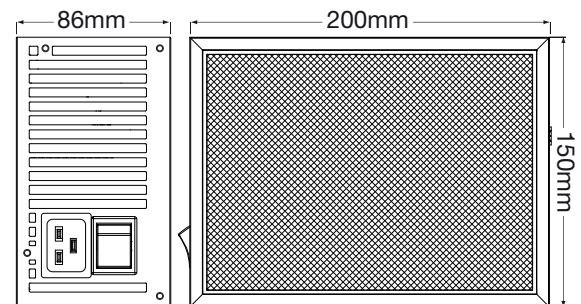
Contact »

be quiet! Headquarters Service hotline: +49 40 7367 686 44

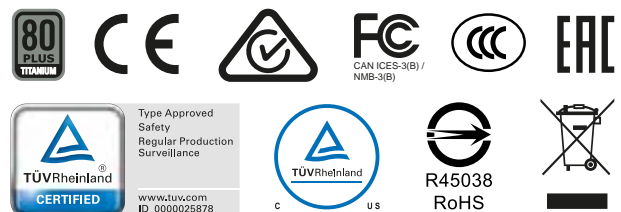
Listan GmbH
Wilhelm-Bergner-Straße 11c
21509 Glinde
Germany

e-mail: service@bequiet.com
Visit the contact section on bequiet.com for the right regional service information.

Dimensions »



Certifications »



Version: V1/21

We do not take responsibility for typographical errors. Similar Image.

bequiet.com