

GERMANY'S NO. 1\*  
PSU MANUFACTURER

be quiet!®



# TFX POWER 3

COMPACT AND SILENT ENERGY

300W

## IDEAL APPLICATIONS

Mini and media PC systems  
Systems with low installation depth  
Classic office and web applications

## HIGHLIGHTS

80 PLUS® Gold / Bronze efficiency (up to 91.7 / 88.3%)  
Up to two strong dual 12V-rails  
Compact and space-saving design  
Sleeved or flat black cables for convenient usage

### Compact And Silent Energy

TFX Power 3 300W: the upgraded be quiet! high-efficiency PSU for mini and media PCs with great features at a reasonable price.

#### Highlights »

- Certified 80 PLUS Gold and Bronze efficiency (up to 91.7%)
- High stability and PCIe graphics card support
- 300W of continuous power
- High-quality temperature-controlled 80mm fan for low-noise operation
- Sleeved or flat black cables up to 60cm long
- Meets the latest safety and efficiency requirements
- Standby draw less than 0.17 watts
- Three-year manufacturer's warranty
- Product conception, design and quality control in Germany



\*According to the yearly PC Games Hardware's „Manufacturer of the year“ election (2006-2020) and market data from GfK (2007-2021).

# TFX POWER 3

COMPACT AND SILENT ENERGY

be quiet!®

Technical Data »			
IN GENERAL	Model	300W Gold	300W Bronze
	Article no.	BN323	BN322
	EAN Code	4260052188293	4260052188286
	Voltage (Vac) / Frequency (Hz)	100 - 240 / 50 - 60	100 - 240 / 50 - 60
	Dimensions (L x W x H)	175 x 85 x 65	175 x 85 x 65
	TFX 12V 2.52 / EPS 12V 2.92	✓ / ✓	✓ / ✓
	Wire-free (DC-side)	-	-
	Silence-optimized be quiet! fan (mm)	80	80
	Noise level (dB(A)) at 20 / 50 / 100% load	9.7 / 12.4 / 21.7	14.6 / 15.4 / 29.1
	12V rail (Multi-Rail) / 12V Single Rail	2 / -	- / ✓
	Overclocking Key / Jumper	- / -	- / -
	Power Good signal	100-150ms	100-150ms
	PFC	active	active
	Certification / Efficiency (%) at 230V	80 PLUS® Gold / 91.7%	80 PLUS® Bronze / 88.3%
	Energy Star 7.0 compatible	✓	✓
	ErP ready / Power in stand-by (W)	✓ / <0.17	✓ / <0.14
	OC, OVP, UVP, SCP, OPP, OTP	✓	✓
Lifetime of PSU at 25°C (h)	100,000	100,000	
CABLES	No. of cables	5	5
	Maximum cable length (cm)	60	60
	Length of ATX-connection cable (cm)	35	35
	Cable management	Fixed	Fixed
	Sleeved cables	20+4 pin	20+4 pin
	Flat cables	PCIe, drives, P4	PCIe, drives, P4
CONNECTORS	ATX motherboard (20+4-pin)	✓	✓
	PCI express (6+2-pin)	1	1
	P8-/P4-connector	- / 1	- / 1
	SATA	3	3
	PATA	2	2
	FDD (Floppy)	1	1

Output Data »							
AC Input		100-240Vac 50-60Hz 6-2.5A					
DC Output		3.3V	5V	12V1	12V2	-12V	5VsB
<b>300W Gold</b>	Max. Current	18A	18A	13A	13A	0.3A	3A
	Max. Combined Power	103W		24A		3.6W	15W
<b>300W</b>							
AC Input		100-240Vac 50-60Hz 5-2A					
DC Output		3.3V	5V	12V1		-12V	5VsB
<b>300W Bronze</b>	Max. Current	16A	16A	25A		0.3A	2.5A
	Max. Combined Power	85W		25A		3.6W	12.5W
<b>300W</b>							

Version: V1/21

We do not take responsibility for typographical errors. Similar Image.

bequiet.com

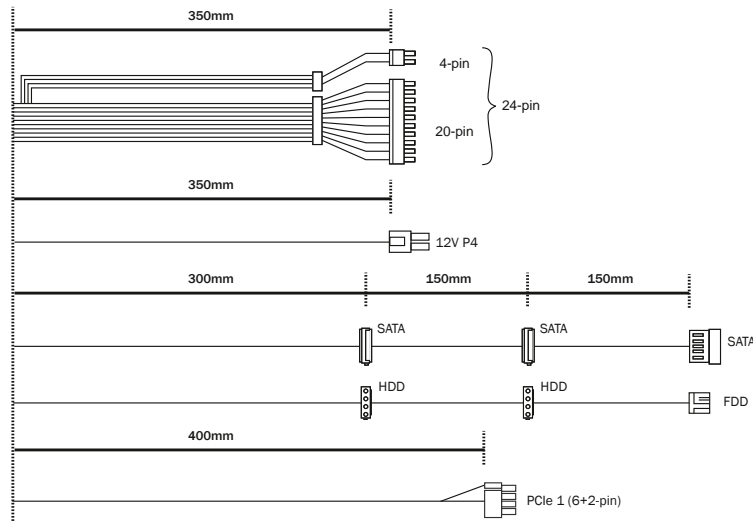
# TFX POWER 3

COMPACT AND SILENT ENERGY

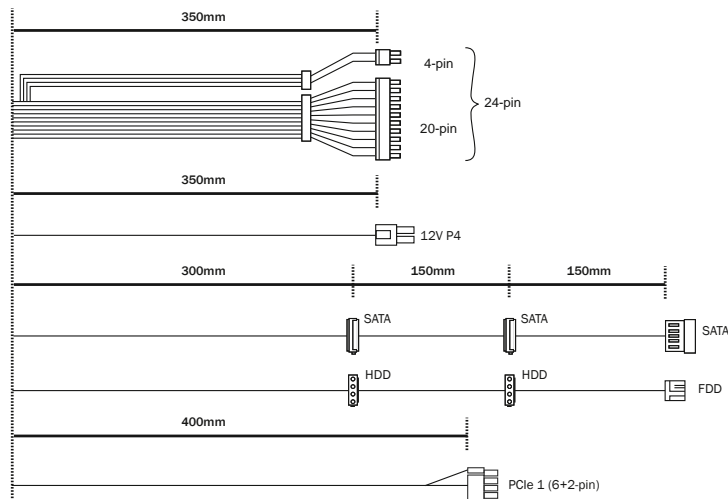
be quiet!

Cables »

Gold



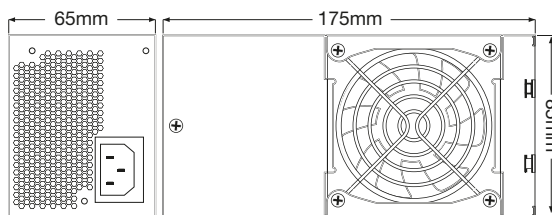
Bronze



Logistics data »

Region	Model	Article no	EAN code
EU	TFX Power 3 300W Gold	BN323	4260052188293
EU	TFX Power 3 300W Bronze	BN322	4260052188286

Dimensions »



Certifications »



Contact »

be quiet! Headquarters  
Listan GmbH  
Wilhelm-Bergner-Straße 11c  
21509 Glinde  
Germany

Service hotline: +49 40 7367 686 44  
e-mail: [service@bequiet.com](mailto:service@bequiet.com)

Visit the contact section on [bequiet.com](http://bequiet.com) for the right regional service information.

Version: V1/21

We do not take responsibility for typographical errors. Similar Image.

[bequiet.com](http://bequiet.com)