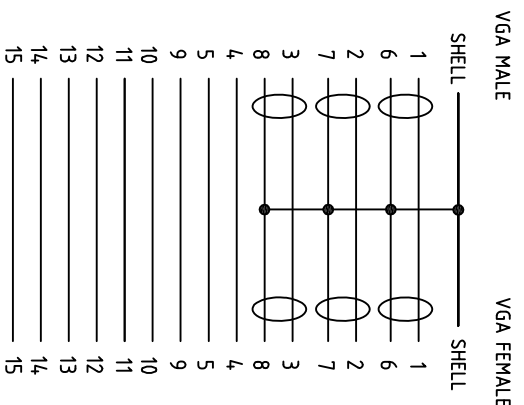
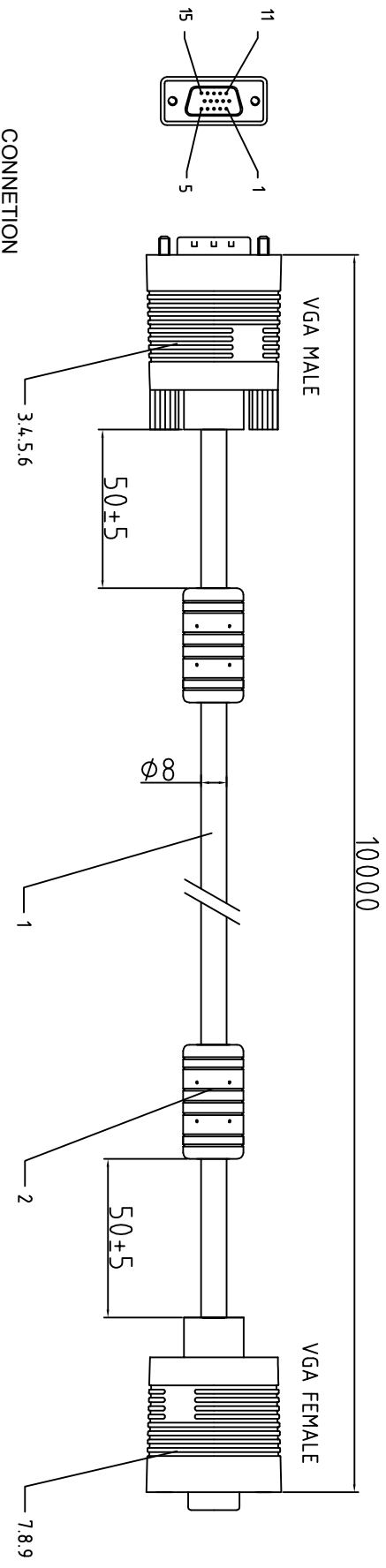


Scale	1:1
Unit	MM
Remark	

UNLESS OTHERWISE SPECIFIED,
ALL DIMENSIONS ARE IN METRIC.

PROJECTION PLAN



ITEM.	PART NO.	DESCRIPTION	UNIT
1.	vga Cable	(0.3BC+FPPE+7/0.1BC+AL)×3C +0.3BC×2C+0.3BC×7C+AL+64/0.12ALMG+D+PVC(8.0)	1
2.	Ferrite Cores	BLACK molding	2
3.	Connector	HDB15M, front nickel behind Tin	1
4.	Screw	2.3×50mm BLACK molding	2
5.	Inner mould	Transparent color PE	1
6.	Outer mould	BALCK PVC 45P	1
7.	Connector	HDB15F, front nickel behind Tin	1
8.	Inner mould	Transparent color PE	1
9.	Outer mould	BALCK PVC 45P	1

Revised Details			
Item.	Description	Date	by
△A			

Drawn	Kenny Shuo
Date	Feb.26.2016
Check	
Approve	

Model:	CC-PPVGA-X-10M-B
CHANGZHOU WISTAR ELECTRONICS CO., LTD.	