

RYOBI®

R18AG

ORIGINAL INSTRUCTIONS

TRADUCTION DES INSTRUCTIONS ORIGINALES
ÜBERSETZUNG DER ORIGINALANLEITUNG
TRADUCCIÓN DE LAS INSTRUCCIONES ORIGINALES
TRADUZIONE DELLE ISTRUZIONI ORIGINALI
VERTALING VAN DE ORIGINELE INSTRUCTIES
TRADUÇÃO DAS INSTRUÇÕES ORIGINAIS
OVERSETTELSE AF DE ORIGINELE INSTRUKTIONER
ÖVERSÄTTNING AV DE URSPRUNGLIGA INSTRUKTIONERNA
ALKUPERÄISTEN OHJEIDEN SUOMENNO
OVERSETTELSE AV DE ORIGINELE INSTRUKSJONENE
ИНСТРУКЦИЯ ПО ЭКСПЛУАТАЦИИ
TŁUMACZENIE INSTRUKCJI ORYGINALNEJ
PŘEKLAD ORIGINÁLNÍCH POKYNŮ
AZ EREDETI ÚTMUTATÓ FORDÍTÁSA
TRADUCEREA INSTRUCȚIUNILOR ORIGINALE
TULKOTS NO ORIGINĀLĀS INSTRUKCIJAS
ORIGINALIŲ INSTRUKCIJŲ VERTIMAS
ORIGINAALJUHENDI TÖLGE
PRIJEVOD ORIGINALNIH UPUTA
PREVOD ORIGINALNIH NAVODIL
PREKLAD ORIGINÁLNYCH POKYNOV
ΜΕΤΑΦΡΑΣΗ ΤΩΝ ΠΡΩΤΟΤΥΠΩΝ ΟΔΗΓΙΩΝ
ORIJINAL TALIMATLARIN TERCÜMESİ

EN
FR
DE
ES
IT
NL
PT
DA
SV
FI
NO
RU
PL
CS
HU
RO
LV
LT
ET
HR
SL
SK
EL
TR





Important!	It is essential that you read the instructions in this manual before operating this machine.
Attention!	Il est indispensable que vous lisiez les instructions contenues dans ce manuel avant la mise en service de l'appareil.
Achtung!	Bitte lesen Sie unbedingt vor Inbetriebnahme die Hinweise dieser Bedienungsanleitung.
¡Atención!	Es imprescindible que lea las instrucciones de este manual antes de la puesta en servicio.
Attenzione!	Prima di procedere alla messa in funzione, è indispensabile leggere attentamente le istruzioni contenute nel manuale.
Let op!	Het is van essentieel belang dat u de instructies in deze gebruiksaanwijzing goed leest voordat u de machine gaat gebruiken.
Atenção!	É indispensável que leia as instruções deste manual antes de utilizar a máquina.
OBS!	Denne brugervejledning skal gennemlæses inden maskinen tages i brug.
Observera!	Det är nödvändigt att läsa instruktionerna i denna bruksanvisning innan användning.
Huomio!	On ehdottoman välttämätöntä lukea tässä käyttöohjeessa annetut ohjeet ennen käyttöönottoa.
Advarell!	Det er meget viktig at du leser denne brukerveiledningen før du tar maskinen i bruk.
Внимание!	Перед сборкой и запуском инструмента необходимо ознакомиться с инструкцией по эксплуатации.
Uwaga!	Przed przystąpieniem do użytkowania tego urządzenia, należy koniecznie zapoznać się z zaleceniami zawartymi w niniejszym podręczniku.
Důležité upozornění!	Nepoužívejte tento přístroj dříve, než si přečtete pokyny uvedené v tomto návodu.
Figyelem!	Feltétlenül fontos, hogy a jelen használati útmutatóban foglalt előírásokot az üzembe helyezés előtt elolvassa!
Atenție!	Este esențial să citiți instrucțiunile din acest manual înainte de operarea acestui aparat.
Uzmanību!	Svarīgi, lai jūs pirms mašīnas darbināšanas izlasītu instrukcijas šajā rokasgrāmatā.
Dėmesio!	Prieš pradėjami eksploatuoti šį prietaisą, svarbu, kad perskaitytumėte šiose instrukcijose pateiktus nurodymus.
Tähtis!	Enne trelli kasutama hakkamist tuleb käesolevas juhendis esitatud juhised kindlasti läbi lugeda.
Upozorenje!	Neophodno je da pročitate ove upute prije uporabe ovog uređaja.
Ротембно!	Pred uporabo tega stroja, obvezno preberite navodila iz tega priročnika.
Dôležitě!	Pre prácu s týmto zariadením je dôležitě, aby ste si přečítali pokyny v tomto návode.
Προσοχή!	Είνα απαράιτη να διαβάσετε τις συστάσεις των οδηγιών αυτών πριν και τη θέση σε λειτουργία.
Dikkat!	Cihazın çalıştırılmasından önce bu kılavuzda bulunan talimatları okumanız zorunludur.



Subject to technical modifications / Sous réserve de modifications techniques / Technische Änderungen vorbehalten /
Sujeto a modificaciones técnicas / Con riserva di eventuali modifiche tecniche / Technische wijzigingen voorbehouden /
Com reserva de modificações técnicas / Med förbehold for tekniske ændringer / Med förbehåll för tekniska ändringar /
Tekniset muutokset varataan / Med förbehold om tekniske endringer / Могут быть внесены технические изменения /
Z zastrzeżeniem modyfikacji technicznych / Změny technických údajů vyhrazeny / A műszaki módosítás jogát fenntartjuk /
Sub rezerva modifițiilor tehnice / Paturam tiesības mainīt tehniskos raksturlielumus / Pasiliekan teisę daryti techninius pakeitimus /
Tehnilised muudatused võimalikud / Podložno tehničkim promjenama / Tehnične spremembe dopuščene/
Právo na technické zmeny je vyhradené / Υπό την επιφύλαξη τεχνικών τροποποιήσεων / Teknik deęisliklik hakkı saklıdır





SPECIAL SAFETY RULES

Safety Warnings Common for Grinding or Abrasive Cutting-Off Operations:

- This power tool is intended to function as a grinder or cut-off tool. Read all safety warnings, instructions, illustrations and specifications provided with this power tool. Failure to follow all instructions listed below may result in electric shock, fire and/or serious injury.
- Operations such as sanding, wire brushing or polishing are not recommended to be performed with this power tool. Operations for which the power tool was not designed may create a hazard and cause personal injury.
- Do not use accessories which are not specifically designed and recommended by the tool manufacturer. Just because the accessory can be attached to your power tool, it does not assure safe operation.
- The rated speed of the accessory must be at least equal to the maximum speed marked on the power tool. Accessories running faster than their rated speed can break and fly apart.
- The outside diameter and the thickness of your accessory must be within the capacity rating of your power tool. Incorrectly sized accessories cannot be adequately guarded or controlled.
- The arbour size of wheels, flanges, backing pads or any other accessory must properly fit the spindle of the power tool. Accessories with arbour holes that do not match the mounting hardware of the power tool will run out of balance, vibrate excessively and may cause loss of control.
- Do not use a damaged accessory. Before each use, inspect the accessory such as abrasive wheels for chips and cracks, backing pad for cracks, tear or excess wear, wire brush for loose or cracked wires. If power tool or accessory is dropped, inspect for damage or install an undamaged accessory. After inspecting and installing an accessory, position yourself and bystanders away from the plane of the rotating accessory and run the power tool at maximum no-load speed for one minute. Damaged accessories will normally break apart during this test time.
- Wear personal protective equipment. Depending on application, use face shield, safety goggles or safety glasses. As appropriate, wear dust mask, hearing protectors, gloves and workshop apron capable of stopping small abrasive or workpiece fragments. The eye protection must be capable of stopping flying debris generated by various operations. The dust mask or respirator must be capable of filtering particles generated by your operation. Prolonged exposure to high intensity noise may cause hearing loss.
- Keep bystanders a safe distance away from work

area. Anyone entering the work area must wear personal protective equipment. Fragments of workpiece or of a broken accessory may fly away and cause injury beyond immediate area of operation.

- Hold power tool by insulated gripping surfaces only, when performing an operation where the cutting tool may contact hidden wiring. Contact with a "live" wire will also make exposed metal parts of the power tool "live" and could give the operator an electric shock.
- Position the cord clear of the spinning accessory. If you lose control, the cord may be cut or snagged and your hand or arm may be pulled into the spinning accessory.
- Never lay the power tool down until the accessory has come to a complete stop. The spinning accessory may grab the surface and pull the power tool out of your control.
- Do not run the power tool while carrying it at your side. Accidental contact with the spinning accessory could snag your clothing, pulling the accessory into your body.
- Regularly clean the power tool's air vents. The motor's fan will draw the dust inside the housing and excessive accumulation of powdered metal may cause electrical hazards.
- Do not operate the power tool near flammable materials. Sparks could ignite these materials.
- Do not use accessories that require liquid coolants. Using water or other liquid coolants may result in electrocution or shock.

Safety Warnings Specific for Grinding and Abrasive Cutting-Off Operations:

- Use only wheel types that are recommended for your power tool and the specific guard designed for the selected wheel. Wheels for which the power tool was not designed cannot be adequately guarded and are unsafe.
- The guard must be securely attached to the power tool and positioned for maximum safety, so the least amount of wheel is exposed towards the operator. The guard helps to protect operator from broken wheel fragments, accidental contact with wheel and sparks that could ignite clothing.
- Wheels must be used only for recommended applications. For example, do not grind with the side of cut-off wheel. Abrasive cut-off wheels are intended for peripheral grinding, side forces applied to these wheels may cause them to shatter.
- Always use undamaged wheel flanges that are of correct size and shape for your selected wheel. Proper wheel flanges support the wheel, thus reducing the possibility of wheel breakage. Flanges for cut-off wheels may be different from grinding wheel flanges.
- Do not use worn down wheels from larger power tools. Wheel intended for larger power tool is not suitable for the higher speed of a smaller tool and may



burst.

Additional Safety Warnings Specific for Abrasive Cutting-Off Operations:

- Do not “jam” the cut-off wheel or apply excessive pressure. Do not attempt to make an excessive depth of cut. Overstressing the wheel increases the loading and susceptibility to twisting or binding of the wheel in the cut and the possibility of kickback or wheel breakage.
- Do not position your body in line with and behind the rotating wheel. When the wheel, at the point of operation, is moving away from your body, the possible kickback may propel the spinning wheel and the power tool directly at you.
- When wheel is binding or when interrupting a cut for any reason, switch off the power tool and hold the power tool motionless until the wheel comes to a complete stop. Never attempt to remove the cut-off wheel from the cut while the wheel is in motion otherwise kickback may occur. Investigate and take corrective action to eliminate the cause of wheel binding.
- Do not restart the cutting operation in the workpiece. Let the wheel reach full speed and carefully re-enter the cut. The wheel may bind, walk up or kickback if the power tool is restarted in the workpiece.
- Support panels or any oversized workpiece to minimize the risk of wheel pinching and kickback. Large workpieces tend to sag under their own weight. Supports must be placed under the workpiece near the line of cut and near the edge of the workpiece on both sides of the wheel.
- Use extra caution when making a “pocket cut” into existing walls or other blind areas. The protruding wheel may cut gas or water pipes, electrical wiring or objects that can cause kickback.

Kickback and related warnings

Kickback is a sudden reaction to a pinched or snagged rotating wheel, backing pad, brush or any other accessory. Pinching or snagging causes rapid stalling of the rotating accessory which in turn causes the uncontrolled power tool to be forced in the direction opposite of the accessory's rotation at the point of binding.

For example, if an abrasive wheel is snagged or pinched by the workpiece, the edge of the wheel that is entering into the pinch point can dig into the surface of the material causing the wheel to climb out or kick out. The wheel may either jump toward or away from the operator, depending on the direction of the wheel's movement at the point of pinching. Abrasive wheels may also break under these conditions.

Kickback is the result of power tool misuse and/or incorrect operating procedures or conditions and can be avoided by taking proper precautions as given below.

- Maintain a firm grip on the power tool and position your body and arm to allow you to resist kickback forces. Always use auxiliary handle, if provided, for

maximum control over kickback or torque reaction during startup. The operator can control torque reactions or kickback forces, if proper precautions are taken.

- Never place your hand near the rotating accessory. Accessory may kickback over your hand.
- Do not position your body in the area where power tool will move if kickback occurs. Kickback will propel the tool in the direction opposite to the wheel's movement at the point of snagging.
- Use special care when working corners, sharp edges, etc. Avoid bouncing and snagging the accessory. Corners, sharp edges or bouncing have a tendency to snag the rotating accessory and cause loss of control or kickback.
- Do not attach a saw chain woodcarving blade or toothed saw blade. Such blades create frequent kickback and loss of control.

INTENDED USE

- Grinding metal or cutting materials such as metal or stone.

Note: Use only recommended accessories. Instructions for safe use of accessories are included with the accessory.

MAINTENANCE

- When servicing, use only identical replacement parts. Use of any other parts may create a hazard or cause product damage.
- Avoid using solvents when cleaning plastic parts. Most plastics are susceptible to damage from various types of commercial solvents and may be damaged by their use. Use clean cloths to remove dirt, dust, oil, grease, etc.
- Always wear safety goggles or safety glasses with side shields during power product operation or when blowing dust. If operation is dusty, also wear a dust mask.
- To avoid serious personal injury, always remove the battery pack from the product when cleaning or performing any maintenance.
- Do not at any time let brake fluids, gasoline, petroleum-based products, penetrating oils, etc., come in contact with plastic parts. Chemicals can damage, weaken or destroy plastic which may result in serious personal injury.
- Only the parts shown on the parts list are intended to be repaired or replaced by the customer. All other parts should be replaced at an authorized service center.



EN
FR
DE
ES
IT
NL
PT
DA
SV
FI
NO
RU
PL
CS
HU
RO
LV
LT
ET
HR
SL
SK
EL
TR

ENVIRONMENTAL PROTECTION



Recycle raw materials instead of disposing of as waste. The machine, accessories and packaging should be sorted for environmental-friendly recycling.

SYMBOLS



Safety alert



GOST-R conformity



CE conformity



Please read the instructions carefully before starting the machine.



Wear ear protection



Wear eye protection



Wear dust mask



Wear safety hand gloves



Do not use chipped, cracked or defective grinding wheel



Do not use for cutting



Use a guard



Metal



Waste electrical products should not be disposed of with household waste. Please recycle where facilities exist. Check with your local authority or retailer for recycling advice.



RÈGLES PARTICULIÈRES DE SÉCURITÉ

Avertissements de sécurité communs aux opérations de découpe et de meulage:

- **Le but de cet outil électrique est d'être utilisé comme une meuleuse ou comme un outil de découpe. Lisez attentivement l'ensemble des avertissements, instructions et spécifications fournis avec cet outil, et reportez-vous aux illustrations.** Le non-respect des instructions présentées ci-après peut entraîner des accidents tels que des incendies, des chocs électriques et/ou des blessures corporelles graves.
- **Il n'est pas recommandé d'effectuer des opérations telles que le ponçage, le décapage à la brosse métallique et le polissage avec cet outil électrique.** Le non-respect de cette consigne peut entraîner des accidents et des blessures corporelles graves.
- **N'utilisez pas des accessoires qui ne sont pas spécifiquement conçus pour cet outil et qui ne sont pas recommandés par le fabricant.** Même si un accessoire peut être monté sur un outil, cela ne garantit pas que vous pourrez utiliser cet outil en toute sécurité.
- **La vitesse nominale de l'accessoire doit être égale ou supérieure à la vitesse maximale indiquée sur l'outil.** Les accessoires fonctionnant à une vitesse supérieure à leur vitesse nominale peuvent se casser et être éjectés.
- **Le diamètre extérieur et l'épaisseur de l'accessoire doivent correspondre aux caractéristiques spécifiées pour l'outil.** Si les accessoires ne correspondent pas aux caractéristiques données, les systèmes de protection et de réglage de l'outil ne pourront pas fonctionner correctement.
- **Les meules, flasques, patins ou autres accessoires doivent être parfaitement adaptés à l'alésage de l'arbre de l'outil.** Les accessoires non adaptés à l'arbre sur lequel ils doivent être montés ne tourneront pas correctement, vibreront de manière excessive et vous feront perdre le contrôle de l'outil.
- **N'utilisez pas un accessoire endommagé.** Avant chaque utilisation, vérifiez que l'accessoire que vous utilisez est en bon état: assurez-vous que les disques abrasifs ne sont pas ébréchés ou fissurés, que les patins ne sont pas déchirés ou usés, que les poils des brosses métalliques ne sont pas trop usés ou cassés. En cas de chute de l'outil ou d'un accessoire, vérifiez l'absence de dommages et remettez un accessoire en bon état en place au besoin. En cas de chute de l'outil ou de l'accessoire, vérifiez qu'aucun élément n'est endommagé et, si besoin, installez un accessoire neuf. Si l'accessoire est endommagé, il se cassera pendant ce test.
- **Porter des équipements de protection individuelle.** Selon l'utilisation que vous faites de votre outil, portez un masque de protection, des lunettes de sécurité ou des lunettes de protection. Selon l'utilisation que vous faites de votre outil, portez un masque de protection, des lunettes de sécurité ou des lunettes de protection. Si besoin, portez un

masque anti-poussière, des protections auditives, des gants et un tablier de protection afin de vous protéger de toute projection de corps étrangers (éléments abrasifs, copeaux de bois, etc.). Les masques anti-poussière permettent de filtrer les particules générées par l'opération que vous menez. Les masques anti-poussière permettent de filtrer les particules générées par l'opération que vous menez.

- **Maintenez les visiteurs à bonne distance de la zone de travail. Maintenez les visiteurs à bonne distance de la zone de travail et veillez à ce qu'ils portent un équipement de protection.** Des fragments de pièce à usiner ou d'un accessoire cassé peuvent être projetés au-delà de la zone de travail et causer des blessures corporelles graves.
- **Ne tenez l'outil que par les parties isolées et antidérapantes lorsque vous travaillez sur une surface pouvant cacher des fils électriques.** Un contact avec des fils sous tension pourrait transmettre le courant dans les parties en métal et provoquer un choc électrique.
- **Positionnez le cordon d'alimentation de façon à ce qu'il soit à distance de l'accessoire en rotation.** Si vous perdez le contrôle de votre outil, le cordon d'alimentation pourrait être coupé ou se coincer et votre main ou votre bras pourrait être entraîné vers l'accessoire en rotation.
- **Ne posez jamais votre outil avant que l'accessoire ne soit complètement arrêté.** L'accessoire en rotation pourrait entrer en contact avec la surface sur laquelle il est posé et vous faire perdre le contrôle de l'outil.
- **Ne faites pas fonctionner votre outil lorsque vous le transportez.** L'accessoire en rotation pourrait se prendre dans vos vêtements et vous blesser gravement.
- **Nettoyez régulièrement les fentes de ventilation de l'outil.** La ventilation du moteur fait pénétrer les poussières à l'intérieur du carter moteur, ce qui peut générer une accumulation excessive de particules métalliques et provoquer des chocs électriques.
- **N'utilisez pas votre outil à proximité de produits inflammables.** Des étincelles risqueraient de les enflammer.
- **N'utilisez pas d'accessoires nécessitant des fluides de refroidissement.** L'utilisation d'eau ou de liquides de refroidissement peut causer des électrocutions ou des chocs électriques.

Avertissements de sécurité particuliers pour les opérations de découpe et de meulage:

- **N'utilisez que des types de meule recommandés pour votre outil électrique ainsi que la protection spécifique à la meule utilisée.** Les disques pour lesquels l'outil électrique n'a pas été prévu ne peuvent pas être protégés de façon adéquate et présentent un danger.
- **La protection doit être bien fixée sur l'outil électrique et positionnée de façon à offrir la meilleure sécurité, afin que la plus petite partie possible de la meule soit dirigée vers l'opérateur.** Le carter de protection



aide à protéger l'opérateur des fragments d'une meule qui se brise, du contact accidentel avec la meule et des étincelles susceptibles de mettre le feu aux vêtements.

- **Les meules ne doivent être utilisées que dans leur domaine d'application recommandé. Par exemple, n'utilisez pas le flanc d'un disque à tronçonner pour meuler.** Les disques à tronçonner sont conçus pour meuler sur leur périphérie, ils sont susceptibles de se briser si l'on y applique une force latérale.
- **Assurez-vous de toujours utiliser des supports de disques en bon état et dont la taille et la forme sont adaptées au disque à utiliser.** Un support de disque adapté maintient le flanc du disque et réduit le risque de bris. Les supports des disques à découper peuvent être différents des supports pour meules.
- **N'utilisez pas de disques usés en provenance d'outils plus puissants.** Les meules destinées à un outil plus important ne sont pas adaptées à la vitesse de rotation supérieure d'un petit outil et sont susceptibles d'éclater.

Avertissements de sécurité particuliers pour les opérations de découpe par abrasion:

- **Ne "coincez" pas le disque de coupe et ne lui appliquez pas de pression excessive. Ne tentez pas d'effectuer des découpes d'une profondeur excessive.** Un excès de contraintes sur le disque augmente sa charge et risque de le tordre ou de le coincer dans la coupe, ce qui pourrait provoquer un rebond ou un bris du disque.
- **Ne positionnez votre corps ni derrière le disque en rotation ni dans son alignement.** Lorsque le disque, au cours du travail, s'éloigne de votre corps, un éventuel rebond pourrait projeter le disque ainsi que l'outil directement vers vous.
- **Lorsque le disque se bloque, ou lorsque vous interrompez la coupe pour une raison quelconque, arrêtez l'outil et maintenez-le immobile jusqu'à ce que le disque s'arrête complètement. Ne tentez jamais de retirer le disque à tronçonner de l'élément à couper tant que le disque est en rotation, sous peine de provoquer un effet de rebond.** Si le disque se coince, cherchez-en la cause et prenez les mesures nécessaires pour que cela ne se reproduise plus.
- **Ne reprenez pas la coupe dans la pièce à tronçonner. Laissez le disque atteindre sa pleine vitesse et pénétrez à nouveau dans la coupe.** Le disque peut se coincer, être entraîné ou provoquer un rebond si l'outil est redémarré dans la pièce à couper.
- **Supportez les panneaux et toutes les pièces de grande dimension pour minimiser les risques de rebond et de pincement du disque.** Les grandes pièces à couper ont tendance à fléchir sous leur propre poids. Les supports doivent être placés sous la pièce à proximité de la ligne de coupe ou près du bord de la pièce de chaque côté du disque.
- **Soyez particulièrement attentif lorsque vous effectuez une "coupe en plongée" dans des murs existants ou autres zones aveugles.** Le disque

saillant est susceptible de couper les conduites d'eau ou de gaz, les câbles électriques ou des objets pouvant provoquer un rebond.

Avertissements relatifs au rebond et autres risques associés

Le rebond est une réaction soudaine qui a lieu lorsque la meule en mouvement, le patin, la brosse ou tout autre accessoire se pince ou se tord, ce qui entraîne le blocage rapide de l'accessoire. L'outil, qui continue à fonctionner, est alors projeté dans la direction opposée au sens d'utilisation de l'accessoire.

Par exemple, si un disque abrasif se coince ou se tord dans la pièce à usiner, le bord du disque qui se fait coincer peut se faire entraîner dans le matériau et provoquer un rebond vers le haut ou vers l'arrière. En cas de rebond, le disque abrasif peut également se casser. Le rebond est donc le résultat d'une mauvaise utilisation de l'outil et/ou de procédures ou de conditions d'utilisation incorrectes.

Le rebond est donc le résultat d'une mauvaise utilisation de l'outil et / ou de procédures ou de conditions d'utilisation incorrectes. Il peut être évité en veillant à respecter quelques précautions:

- **Maintenez fermement l'outil et positionnez votre corps et votre bras de façon à pouvoir contrôler un éventuel rebond.** Si l'outil dispose d'une poignée auxiliaire, veillez à toujours la tenir pour avoir un contrôle optimal de l'outil en cas de rebond ou de couple de réaction lors de la mise en marche de l'outil. Prenez les mesures nécessaires afin de pouvoir contrôler votre outil en cas de rebond ou de couple de réaction.
- **Ne placez jamais votre main à proximité de l'accessoire en rotation afin d'éviter tout risque de blessures corporelles graves en cas de rebond.** Accessoire risque de rebondir sur votre main.
- **Ne vous placez pas dans la zone où l'outil risque d'être projeté en cas de rebond.** En cas de rebond, l'outil est projeté dans la direction opposée au sens de rotation du disque.
- **Faites particulièrement attention lorsque vous travaillez sur des angles, des bords tranchants, etc. Évitez de faire déraiper ou de coincer l'accessoire.** Lorsque vous travaillez sur des angles ou des bords tranchants ou lorsque vous faites déraiper l'outil, le risque est plus élevé de bloquer l'accessoire, et donc de perdre le contrôle de l'outil et provoquer un rebond.
- **N'utilisez jamais de lame de tronçonneuse à bois ou de lame de scie avec cet outil.** De telles lames augmentent le risque de rebond et de perte de contrôle de l'outil.

UTILISATION PRÉVUE

- Meulage des métaux ou découpe de matériaux tels le métal ou la pierre.

Note: N'utilisez que les accessoires recommandés. Les instructions concernant l'utilisation en toute sécurité d'un accessoire sont fournies avec l'accessoire.



ENTRETIEN

- N'effectuez les réparations qu'en utilisant des pièces détachées identiques. L'utilisation de toute autre pièce est susceptible de présenter un danger ou d'endommager votre outil.
- Evitez d'utiliser des solvants pour nettoyer les parties en plastique. La plupart des plastiques sont susceptibles d'être endommagés par différents types de solvants du commerce. Utilisez des chiffons propres pour retirer la saleté, les poussières, l'huile, la graisse, etc.
- Portez toujours un masque oculaire ou des lunettes de protection à volets latéraux lorsque vous utilisez un outil à moteur ou lorsque vous soufflez de la poussière. Si l'opération génère des poussières, portez également un masque anti-poussières.
- Pour éviter de graves blessures, retirez toujours le pack batterie du produit lorsque vous le nettoyez ou que vous effectuez une quelconque opération d'entretien.
- Les éléments en plastique ne doivent jamais entrer en contact avec du liquide de frein, de l'essence, des produits à base de pétrole, des huiles pénétrantes, etc. Les produits chimiques peuvent endommager, affaiblir ou détruire les plastiques, ce qui pourrait entraîner de graves blessures.
- Seuls les éléments mentionnés dans la liste des pièces détachées peuvent être remplacés ou réparés par l'utilisateur. Toutes les autres pièces doivent être remplacées par un Service Après-vente Agréé.



Portez une protection oculaire



Portez un masque anti poussières.



Portez des gants de sécurité



N'utilisez pas de meule ébréchée, fendue ou défectueuse



Ne pas utiliser à des fins de découpe



Utilisez un carter de protection



Métal



Les produits électriques hors d'usage ne doivent pas être jetés avec les ordures ménagères. Recyclez-les par l'intermédiaire des structures disponibles. Contactez les autorités locales pour vous renseigner sur les conditions de recyclage.

PROTECTION DE L'ENVIRONNEMENT



Recyclez les matières premières au lieu de les jeter avec les ordures ménagères. Pour protéger l'environnement, l'outil, les accessoires et les emballages doivent être triés.

SYMBOLES



Alerte de Sécurité



Conformité GOST-R



Conformité CE



Veuillez lire attentivement le mode d'emploi avant de démarrer la machine.



Portez une protection auditive

**BESONDERE SICHERHEITSVORSCHRIFTEN**

Gemeinsame Sicherheitshinweise für Schleif- und Trennschleifarbeiten:

- Dieses Elektrowerkzeug ist für den Einsatz als Schleif- oder Trennschleifwerkzeug vorgesehen. Lesen Sie aufmerksam alle mit diesem Werkzeug gelieferten Warnungen, Anweisungen und Spezifikationen, beziehen Sie sich auf die Illustrationen. Die Nichtbeachtung der weiter unten aufgeführten Anweisungen kann Unfälle wie Brände, Elektroschocks und/oder schwere Körperverletzungen zur Folge haben.
- Es wird empfohlen Vorgänge wie Schleifen, Drahtbürsten oder Polieren nicht mit diesem Werkzeug durchzuführen. Die Nichtbeachtung dieser Vorschrift kann Unfälle und schwere Körperverletzungen zur Folge haben.
- Benutzen Sie kein Zubehör, das nicht speziell für dieses Werkzeug konzipiert worden ist und das nicht vom Hersteller empfohlen wird. Selbst wenn es möglich ist, ein Zubehörteil auf ein Werkzeug zu montieren, ist dies keine Garantie dafür, dass dieses Gerät in aller Sicherheit benutzt werden kann.
- Die nominale Geschwindigkeit des Zubehörs muss gleich oder schneller sein, als die maximale, auf dem Werkzeug angegebene Geschwindigkeit. Zubehörteile, die schneller drehen als ihre Nominalgeschwindigkeit, können brechen und weggeschleudert werden.
- Der Außendurchmesser und die Dicke des Zubehörteils müssen den spezifischen Eigenschaften des Werkzeuges entsprechen. Wenn die Zubehörteile nicht den angegebenen Eigenschaften entsprechen, können die Schutz- und Einstellsysteme des Werkzeuges nicht korrekt funktionieren.
- Schleifscheiben, Flansche, Schleifschuhe oder anderen Zubehörteile müssen ganz genau an die Bohrung der Werkzeugwelle angepasst sein. Zubehörteile, die nicht für die Welle, auf die sie montiert werden sollen, geeignet sind, drehen nicht richtig, vibrieren zu stark und lassen Sie die Kontrolle über das Werkzeug verlieren.
- Benutzen Sie kein beschädigtes Zubehör. Überprüfen Sie vor jeder Benutzung, ob das Zubehör, das Sie benutzen, in gutem Zustand ist: Prüfen Sie, ob die Schleifscheiben nicht brüchig oder rissig, die Kufen nicht beschädigt oder abgenutzt, die Stahlbürsten nicht zu sehr abgenutzt oder abgebrochen. Überprüfen Sie, für den Fall, dass Ihr Werkzeug oder ein Zubehörteil herunterfällt, ob kein Element beschädigt worden ist, montieren Sie bei Bedarf ein neues Zubehörteil. Nachdem Sie den korrekten Zustand des Zubehörs geprüft und sie es montiert haben, nehmen Sie Abstand vom beweglichen Zubehörteil und lassen das Werkzeug eine Minute lang auf Höchstgeschwindigkeit laufen. Wenn das Zubehörteil beschädigt ist, bricht es bei diesem Test.
- Persönliche Schutzausrüstung tragen. Tragen Sie je nach Verwendungsart Ihres Werkzeuges eine Schutzmaske, Sicherheitsbrille, oder Schutzbrille. Tragen Sie bei Bedarf eine Staubschutzmaske, einen Gehörschutz, Handschuhe und eine Schutzschürze, um sich gegen fliegende Fremdkörper (Schleifelemente, Holzspäne, usw.) zu schützen. Die Schutzbrille soll die Augen vor Verletzung durch fliegende Teilchen schützen. Staubschutzmasken dienen dazu, die bei der durchgeführten Arbeit erzeugten Partikel zu filtern. Anhaltender, starker Lärm kann zu Hörverlust führen.
- Bitten Sie Besucher darum, sich in gebührendem Abstand vom Arbeitsbereich aufzuhalten und Schutzkleidung zu tragen. Jeder, der den Arbeitsbereich betritt muss eine persönliche Schutzausrüstung tragen. Splitter des zu bearbeitenden Teils oder zerbrochenes Zubehör können bis außerhalb des Arbeitsbereiches geschleudert werden und schwere Verletzungen verursachen.
- Halten Sie Ihr Gerät nur an den isolierten und abrutschsicheren Stellen, wenn Sie auf einer Fläche arbeiten, unter der sich elektrische Leitungen befinden können. Bei einem Kontakt mit einem unter Spannung stehenden Kabel kann der Strom an die Metallteile geleitet werden, und dies kann zu einem elektrischen Schlag führen.
- Halten Sie das Stromkabel weit genug vom sich drehenden Zubehörteil entfernt. Falls Sie die Kontrolle über Ihr Werkzeug verlieren, könnte das Stromkabel durchtrennt oder verklemt und Ihre Hand oder Ihr Arm vom drehenden Zubehörteil mitgerissen werden.
- Legen Sie Ihr Werkzeug nie ab, bevor das Zubehörteil vollständig zum Stillstand gekommen ist. Das drehende Zubehörteil könnte mit der Oberfläche, auf der es abgelegt wurde, in Kontakt kommen und es besteht die Gefahr, dass Sie die Kontrolle über das Werkzeug verlieren.
- Lassen Sie Ihr Werkzeug nicht eingeschaltet, während Sie es transportieren. Das sich drehende Zubehörteil könnte sich in Ihren Kleidern verfangen und Sie schwer verletzen.
- Säubern Sie regelmäßig die Lüftungsspalten des Werkzeugs. Die Motorlüftung lässt Staub ins Motorgehäusinnere eindringen, dies kann zur Ansammlung von Metallpartikeln führen und Elektroschocks auslösen.
- Benutzen Sie Ihr Werkzeug nicht in der Nähe leicht entflammbarer Produkte. Funken könnten sie entflammen.
- Benutzen Sie kein Zubehör, das Kühlwasser benötigt. Die Benutzung von Wasser oder Kühlfüssigkeiten kann elektrische Schläge oder Elektroschocks verursachen.

Besondere Sicherheitshinweise für Schleif- und Trennschleifarbeiten:





- **Verwenden Sie ausschließlich die für Ihr Werkzeug empfohlenen Radarten, sowie die für das gewählte Rad vorgesehene Schutzvorrichtung.** Werden Scheiben verwendet, für die das Elektrowerkzeug nicht entwickelt wurde, ist der angemessene Schutz nicht sichergestellt und der Betrieb des Geräts ist nicht sicher.
- **Die Schutzvorrichtung muss zur Gewährleistung einer optimalen Sicherheit fest angebracht werden und so, dass der Benutzer dem Rad so wenig wie möglich ausgesetzt ist.** Die Schutzabdeckung hilft den Benutzer vor Scheibenfragmenten, versehentlicher Berührung mit der Schleifscheibe und Funken die Kleidung entzünden könnten zu schützen.
- **Räder dürfen nur für die empfohlenen Anwendungen verwendet werden. Schleifen Sie zum Beispiel nicht mit der Seite eines Schneidrades.** Trennschleifscheiben sind zum Umfangsschleifen vorgesehen, seitlich auf die solche Scheiben wirkende Kräfte können zum Zerschneiden der Scheibe führen.
- **Verwenden Sie immer nur Radflansche in der richtigen Größe und mit der richtigen Form für das gewünschte Rad.** Ein korrekter Radflansch unterstützt das Rad, wodurch das Risiko eines Zerschneidens des Rades verringert wird. Flansche für Schneidräder können sich von denen für Schleifräder unterscheiden.
- **Verwenden Sie keine abgenutzten Räder von größeren Werkzeugen!** Räder, die für große Werkzeuge vorgesehen sind, sind für die höhere Geschwindigkeit des kleineren Werkzeugs nicht geeignet und können zerbrechen.

Zusätzliche Sicherheitshinweise speziell für Trennschleifarbeiten:

- **Achten Sie darauf, die Trennscheibe nicht zu verklemmen oder zu viel Druck auszuüben. Versuchen Sie nicht, einen übermäßig tiefen Schnitt auszuführen.** Wird die Scheibe überspannt, erhöht dies die Belastung der Scheibe und sie ist anfälliger dafür, im Schnitt zu verdrehen oder zu blockieren, für Rückschlag und dafür, zu zerbrechen.
- **Stellen Sie sich nie in einer Linie hinter der rotierenden Scheibe auf.** Wenn die Scheibe während des Betriebs von ihrem Körper wegbewegt wird, kann der mögliche Rückschlag dazu führen, dass sich die drehende Scheibe und das Elektrowerkzeug direkt auf sie zu bewegt.
- **Wenn die Scheibe festklemmt oder ein Schnitt aus irgendeinem Grund unterbrochen wird, schalten Sie das Elektrowerkzeug aus und halten Sie das Werkzeug still bis es vollkommen zum Stehen gekommen ist. Versuchen Sie niemals die Trennscheibe zu entfernen während die Scheibe sich bewegt, sonst kann ein Rückschlag auftreten.** Wenn die Scheibe sich verklemmt, suchen Sie nach der Ursache und ergreifen die erforderlichen Maßnahmen, damit dies nicht wieder geschieht.
- **Starten Sie den Schneidvorgang in dem Werkstück nicht erneut. Lassen Sie die Scheibe die volle**

Geschwindigkeit erreichen und führen Sie die Scheibe vorsichtig wieder in den Schnitt ein. Die Scheibe kann festklemmen, nach oben laufen oder zurückschlagen, wenn das Werkzeug in dem Werkstück neu gestartet wird.

- **Stützen Sie Platten oder andere übergroße Werkstücke ab um die Gefahr eines Verkantens oder Rückschlages zu vermeiden.** Große Werkstücke können durch ihr eigenes Gewicht durchhängen. Werkstücke müssen in der Nähe der Schnittlinie und an der Werkstückkante auf beiden Seiten der Scheibe abgestützt werden.
- **Seien Sie besonders vorsichtig bei "Taschenschnitten" in bestehende Wände oder nicht einsehbare Bereiche.** Die hervorstehende Scheibe kann Gas- oder Wasserrohre, Elektrokabel oder Gegenstände die einen Rückschlag verursachen können schneiden.

Rückschlag und andere Warnungen

Der Rückprall ist eine plötzliche Reaktion, die auftreten kann, wenn die sich drehende Schleifscheibe, der Schleifschuh, die Bürste oder ein anderes Zubehörteil sich verklemmt oder verbiegt und die schnelle Blockierung des Zubehörs verursacht. Das weiter funktionierende Werkzeug schleudert das Werkzeug dann in die Richtung, die der Benutzungsrichtung des Zubehörs entgegen liegt.

Wenn zum Beispiel eine Schleifscheibe sich in dem Werkstück verklemmt oder verbiegt, kann die Schnittfläche der Scheibe sich in die Oberfläche des Werkstücks einfräsen, wodurch die Scheibe unvermittelt aus dem Teil schnell und rückschlägt. Die Schleifscheibe kann beim Rückprall auch brechen. Der Rückprall ist die Folge unangebrachter Benutzung des Werkzeugs und/oder des Verfahrens oder unangemessener Benutzungsbedingungen.

Der Rückprall ist die Folge unangebrachter Benutzung des Werkzeugs und/oder des Verfahrens oder unangemessener Benutzungsbedingungen. Er kann durch die Beachtung bestimmter Sicherheitsmaßnahmen vermieden werden:

- **Halten Sie das Werkzeug gut fest und positionieren Sie Ihren Körper und Ihren Arm so, dass Sie einen eventuellen Rückprall kontrollieren können. Wenn das Werkzeug über einen zusätzlichen Handgriff verfügt, dann halten Sie ihn stets fest, um im Falle eines Rückpralls oder eines Gegenwirkungsmoments beim Einschalten des Werkzeugs eine optimale Kontrolle über das Werkzeug zu haben.** Ergreifen Sie die erforderlichen Maßnahmen, um Ihr Werkzeug im Falle eines Rückpralls oder Gegenwirkungsmoments kontrollieren zu können.
- **Bringen Sie Ihre Hand niemals in die Nähe des drehenden Zubehörteils, dies kann im Falle eines Rückpralls schwere Körperverletzungen vermeiden.** Zubehör kann über Ihre Hand zurückschlagen.
- **Stellen Sie sich nicht in den Bereich, in deren Richtung das Werkzeug im Falle eines Rückpralls geschleudert werden könnte.** Das Werkzeug wird bei einem Rückprall in die entgegen gesetzte Richtung der



Scheibendrehung geschleudert.

- **Geben Sie besonders Acht, wenn Sie an Ecken, scharfen Kanten usw. arbeiten. Vermeiden Sie es, mit dem Zubehörteil abzurutschen oder es einzuklemmen.** Wenn Sie an Ecken oder scharfen Kanten arbeiten, oder mit dem Werkzeug abrutschen, ist das Risiko, das Zubehörteil zu blockieren, die Kontrolle über das Werkzeug zu verlieren und einen Rückprall zu verursachen, größer.
- **Benutzen Sie mit diesem Werkzeug niemals ein Holztrennsäge- oder Sägeblatt.** Solche Sägeblätter steigern das Rückprallrisiko und die Gefahr, die Kontrolle über das Werkzeug zu verlieren.

VORGESEHENE VERWENDUNG

- Schleifen von Metall oder Schneiden von Materialien wie Metall oder Stein.

Bitte beachten: Verwenden Sie nur empfohlenes Zubehör. Anweisungen zum sicheren Umgang mit Zubehör liegt dem Zubehör bei.

WARTUNG UND PFLEGE

- Verwenden Sie zur Wartung nur Original Ersatzteile. Der Einsatz von anderen Teilen kann eine Gefahr verursachen oder das Produkt beschädigen.
- Vermeiden Sie beim Reinigen der Plastikteile den Einsatz von Lösungsmitteln. Die meisten Kunststoffe sind anfällig gegen die verschiedensten Arten von kommerziellen Reinigungsmitteln und können durch deren Verwendung beschädigt werden. Benutzen Sie saubere Lappen um Schmutz, Staub, Öl, Fett usw. zu entfernen.
- Tragen Sie beim Arbeiten mit Elektrowerkzeugen oder beim Wegblasen von Staub immer eine Schutzbrille mit Seitenschutz. Tragen Sie außerdem bei staubigen Arbeiten eine Atemschutzmaske.
- Entfernen Sie zur Vermeidung schwerer Verletzungen bei der Reinigung oder der Durchführung anderer Wartungsarbeiten immer erst den Akku aus dem Produkt.
- Die Kunststoffelemente dürfen niemals mit Bremsflüssigkeit, Benzin, Produkten auf Petroleumbasis, eindringende Öle usw. in Kontakt kommen. Chemikalien können Plastik beschädigen, aufweichen oder zerstören, was zu schweren Verletzungen führen kann.
- Nur die in der Stückliste aufgeführten Teile sind zur Reparatur oder den Austausch durch den Kunden vorgesehen. Alle anderen Teile sollten durch den autorisierten Kundendienst ausgetauscht werden.

UMWELTSCHUTZ



Recyceln Sie die Rohstoffe, anstatt sie im Haushaltsabfall zu entsorgen. Zum Schutz der Umwelt müssen das Gerät, die Zubehörteile und die Verpackungen getrennt entsorgt werden.

SYMBOLE



Sicherheitswarnung



GOST-R-Konformität



CE-Konformität



Bitte lesen Sie die Anweisungen sorgfältig, bevor Sie das Gerät einschalten.



Gehörschutz tragen



Augenschutz tragen



Tragen Sie eine Staubschutzmaske.



Tragen Sie Sicherheitshandschuhe



Benutzen Sie keine angeschlagene, gebrochene oder defekte Schleifscheibe



Nicht zum Schneiden benutzen



Benutzen Sie eine Schutzvorrichtung



Metall



Elektrische Geräte sollten nicht mit dem übrigen Müll entsorgt werden. Bitte entsorgen Sie diese an den entsprechenden Entsorgungsstellen. Wenden Sie sich an die örtliche Behörde oder Ihren Händler, um Auskunft über die Entsorgung zu erhalten.



NORMAS ESPECIALES DE SEGURIDAD

Advertencias comunes de seguridad para operaciones de corte abrasivo y esmerilado:

- Esta herramienta está destinada a funcionar como una herramienta de corte o esmerilado. Lea atentamente todas las advertencias, instrucciones y especificaciones suministradas con la herramienta, y consulte las ilustraciones. El incumplimiento de las instrucciones que se indican a continuación puede ocasionar diversos accidentes como incendios, descargas eléctricas y/o graves heridas corporales.
- Se recomienda no realizar operaciones de lijado, cepillado con alambre o pulido con esta herramienta eléctrica. El incumplimiento de esta instrucción puede ocasionar accidentes y graves heridas corporales.
- No utilice accesorios que no han sido específicamente diseñados para esta herramienta y que no han sido recomendados por el fabricante. Aun cuando pueda montar un accesorio en una herramienta, esto no le garantiza que pueda utilizar la herramienta con total seguridad.
- La velocidad nominal del accesorio debe ser igual o superior a la velocidad máxima indicada en la herramienta. Los accesorios que funcionen a una velocidad superior a su velocidad nominal pueden romperse y resultar proyectados de la herramienta.
- El diámetro exterior y el grosor del accesorio deben corresponder a las características especificadas para la herramienta. Si los accesorios no corresponden a las características indicadas, los sistemas de protección y ajuste de la herramienta no podrán funcionar correctamente.
- Las muelas, discos de sujeción, patines y demás accesorios deben adaptarse perfectamente al diámetro interior de la herramienta. Los accesorios que no se adaptan al husillo en el que se deben montar no girarán correctamente, vibrarán en exceso y le harán perder el control de la máquina.
- No utilice accesorios deteriorados. Antes de cada utilización, compruebe que el accesorio que va a utilizar se encuentra en buenas condiciones: compruebe que los discos abrasivos no están mellados o agrietados, que los patines no están desgarrados o gastados, que las cerdas de los cepillos metálicos no están demasiado gastadas o rotas. Si se cae la herramienta eléctrica o el accesorio, compruebe que ningún elemento está deteriorado o instale un accesorio nuevo. Después de comprobar que el accesorio se encuentra en buenas condiciones y una vez que lo haya montado, manténgase a distancia del accesorio móvil y deje que la herramienta alcance su velocidad máxima durante un minuto. Si el accesorio está dañado, se romperá al realizar esta prueba.
- Use el equipo de protección personal. En función del uso que haga de la herramienta, lleve una máscara de protección, gafas de seguridad o de protección. Si fuera necesario, lleve una mascarilla antipolvo,

protecciones auditivas, guantes y un delantal de protección para protegerse de las proyecciones de cuerpos extraños (elementos abrasivos, virutas de madera, etc.). Las gafas de protección permiten evitar las proyecciones de residuos que pueden dañar los ojos. Las mascarillas antipolvo permiten filtrar las partículas producidas por la operación que está realizando. La exposición prolongada a ruidos de fuerte intensidad puede causar una pérdida de audición.

- Mantenga a las demás personas a una distancia prudente de la zona de trabajo y cerciórese de que lleven un equipo de protección. Cualquiera que entre en el área de trabajo debe utilizar equipo de protección personal. Fragmentos de la pieza trabajada o de un accesorio roto pueden resultar proyectados más allá de la zona de trabajo y causar heridas graves.
- Sujete la herramienta de sus partes plásticas (aisladas) y antideslizantes cuando trabaje en una superficie debajo de la cual puedan pasar cables de electricidad. Si la máquina se pusiera en contacto con los cables eléctricos en tensión, la corriente pasaría por las partes metálicas y usted podría recibir una descarga eléctrica.
- Coloque el cable de alimentación de manera que esté alejado del accesorio en movimiento. Si pierde el control de la herramienta, el cable de alimentación puede cortarse o atascarse, y su mano o su brazo puede ser arrastrado hacia el accesorio en movimiento.
- No deje nunca la herramienta hasta que el accesorio se haya detenido completamente. El accesorio en movimiento puede entrar en contacto con la superficie donde lo ha dejado y hacerle perder el control de la herramienta.
- No transporte la herramienta mientras está funcionando. El accesorio en movimiento podría engancharse en su ropa y causarle heridas graves.
- Limpie con frecuencia las ranuras de ventilación de la herramienta. La ventilación del motor arrastra el polvo hacia el cárter del motor, lo que puede producir una acumulación excesiva de partículas metálicas y provocar descargas eléctricas.
- No utilice la herramienta cerca de productos inflamables. Las chispas podrían provocar un incendio.
- No utilice accesorios que requieran el uso de fluidos de refrigeración. El uso de agua o de líquidos de refrigeración puede provocar electrocuciones o descargas eléctricas.

Advertencias de seguridad adicionales específicas para operaciones de corte abrasivo y esmerilado:

- Utilice sólo los tipos de disco recomendados para esta herramienta eléctrica y la protección específica diseñada para el disco seleccionado. Los discos para los que la herramienta no ha sido diseñada no pueden ser adecuadamente protegidos y suponen un riesgo.
- La protección debe estar firmemente sujeta a



la herramienta y colocada para una seguridad máxima, de forma que se exponga la menor cantidad de disco hacia el operador. La protección ayuda al operador a protegerse de fragmentos de rueda rotos, del contacto accidental con la rueda y de chispas que puedan incendiar la ropa.

- **Los discos sólo deben utilizarse para las aplicaciones recomendadas. Por ejemplo, no use los laterales de los discos de corte para amolar.** Los discos abrasivos de corte están destinados a las fuerzas laterales, de afilado periférico; si se aplican a estos discos puede hacer que se rompan.
- **Utilice siempre bridas en perfecto estado que tengan el tamaño la y forma correctos para el disco seleccionado.** Las bridas adecuadas soportan el disco, reduciendo así la posibilidad de rotura del mismo. Las bridas para discos tronzadores pueden ser diferentes de aquellas para los discos de amolar.
- **No use discos desgastados de herramientas de mayor potencia.** Los discos diseñados para herramientas eléctricas más grandes no son adecuados para una velocidad más alta de las herramientas más pequeñas y podrían romperse.

Advertencias de seguridad adicionales específicas para operaciones de corte abrasivo:

- **Procure no "atascar" el disco de corte o aplicar una presión excesiva. No trate de hacer una excesiva profundidad de corte.** La sobrecarga del disco aumenta la carga y la susceptibilidad a la torsión o al atasco del disco en el corte y la posibilidad de contragolpes o rotura del disco.
- **No coloque su cuerpo en línea con o detrás del disco giratorio.** Cuando el disco está en funcionamiento y se aleja de su cuerpo, un posible contragolpe podría proyectar el disco giratorio y la herramienta en dirección a usted.
- **Cuando el disco se bloquee, o cuando se interrumpa un corte por cualquier razón, apague la herramienta y manténgala inmóvil hasta que el disco se detenga por completo. Nunca trate de quitar el disco del corte mientras que la rueda esté en movimiento, ya que podría provocar un rebote.** Si el disco se atasca, averigüe la causa del problema y tome las medidas necesarias para que no se repita.
- **No reinicie la operación de corte en la pieza de trabajo. Deje que el disco alcance la máxima velocidad y con cuidado vuelva a introducir la herramienta para realizar el corte.** El disco se puede doblar, saltar o rebotar si la herramienta se vuelve a arrancar en la pieza de trabajo.
- **Apoye los paneles o cualquier pieza de gran tamaño para minimizar el riesgo de que se atasque el disco o de que la unidad rebote.** Las piezas de trabajo grandes tienden a hundirse por su propio peso. Los soportes deben colocarse bajo la pieza de trabajo cerca de la línea de corte y cerca del borde de la pieza de trabajo a ambos lados del disco.
- **Tenga mucho cuidado al hacer un "corte de**

bolsillo" en paredes u otras superficies similares. El disco que sobresale puede cortar tuberías de gas o agua, cables eléctricos u objetos que pueden causar un efecto rebote.

Advertencias de rebote y similares

El rebote es una reacción brusca que se produce al atascarse o engancharse el accesorio, como un disco de amolar, plato lijador, cepillo de alambre, etc. Al atascarse o engancharse el accesorio en funcionamiento, éste es frenado bruscamente. Ello puede hacer que pierda el control de la herramienta eléctrica y hacer que ésta salga impulsada en dirección opuesta al sentido de giro que tenía el accesorio.

En el caso de que por ejemplo, un disco amolador se atasque o bloquee en la pieza de trabajo, puede suceder que el canto del accesorio que penetra en el material se enganche, provocando la rotura del accesorio o el rebote del aparato. Según el sentido de giro y la posición del accesorio en el momento de bloquearse puede que éste resulte despedido hacia, o en sentido opuesto al usuario. En estos casos puede suceder que el accesorio incluso llegue a romperse.

Por lo tanto, el rebote es el resultado de una mala utilización de la máquina y/o de procedimientos o condiciones de corte incorrectas.

- **Sostenga firmemente la herramienta y mantenga el cuerpo y el brazo de manera que pueda controlar un posible rebote. Si la herramienta cuenta con una empuñadura auxiliar, sosténgala siempre para tener un óptimo control de la herramienta en caso de producirse algún rebote o par de reacción al poner en marcha la herramienta.** Adopte las medidas necesarias para poder controlar la herramienta en caso de producirse algún rebote o par de reacción.
- **No coloque nunca las manos cerca del accesorio en movimiento para evitar el riesgo de heridas graves en caso de producirse algún rebote.** Accesorio puede rebotar contra su mano.
- **No se ponga en la zona donde la herramienta puede resultar expulsada si se produce algún rebote.** De producirse algún rebote, la herramienta sería expulsada en el sentido opuesto al sentido de rotación del disco.
- **Preste especial atención cuando trabaje en ángulos, bordes cortantes, etc. Evite que el accesorio resbale o se atasque.** Cuando trabaja en ángulos o bordes cortantes o cuando la herramienta resbala, aumenta el riesgo de bloqueo del accesorio, lo que le puede hacer perder el control de la herramienta y provocar un rebote.
- **No utilice nunca hojas de tronzadoras de madera u hojas de sierra con esta herramienta.** Este tipo de hojas aumenta el riesgo de rebote y de pérdida de control de la herramienta.

USO PREVISTO

- Amolar metal o cortar materiales como metal o piedra.

Nota: Utilice sólo los accesorios recomendados. Las



instrucciones para el uso seguro de los accesorios están incluidas con el accesorio.

MANTENIMIENTO

- Utilice solo piezas de recambio idénticas cuando esté realizando labores de mantenimiento de la máquina. El uso de otras piezas puede ocasionar riesgos o daños en el producto.
- Evite el uso de disolventes para limpiar las piezas de plástico. La mayoría de los plásticos se dañan con diferentes tipos de disolventes comerciales y se pueden dañar con su uso. Utilice un paño limpio para retirar las impurezas, el polvo, el aceite, la grasa, etc.
- Utilice siempre gafas protectoras o de seguridad con protecciones laterales durante el funcionamiento del producto eléctrico o al soplar polvo. Si la superficie de trabajo es polvorienta, use también una careta específica.
- Para evitar lesiones personales graves, retire siempre la batería del producto al realizar operaciones de limpieza o de mantenimiento.
- Los elementos de plástico nunca deben estar en contacto con líquido de frenos, gasolina, productos derivados de petróleo, aceites penetrantes, etc. Los productos químicos pueden dañar, destruir o debilitar el plástico, lo que puede ocasionar graves daños personales.
- El cliente sólo puede reemplazar o reparar las piezas que aparecen en la lista de piezas. Todas las demás piezas deben reemplazarse en un Centro de Servicio Autorizado.

PROTECCIÓN DEL MEDIO AMBIENTE



Recicle las materias primas en lugar de tirarlas a la basura doméstica. Para proteger el medio ambiente, debe separar la herramienta, los accesorios y los embalajes.

SÍMBOLOS



Atención



Conformidad con GOST-R



Conformidad con CE



Por favor lea las instrucciones detenidamente antes de arrancar la máquina.



Utilice dispositivos de protección para los oídos



Utilice gafas de seguridad



Utilice una máscara antipolvo.



Use guantes de seguridad para las manos



No utilice una rueda de esmeril picada, rajada o defectuosa



No apto para cortar



Utilice protección



Metal



Los productos eléctricos de desperdicio no deben desecharse con desperdicios caseros. Por favor recíclelos donde existan dichas instalaciones. Compruebe con su autoridad local o minorista para reciclar.

**NORME SPECIALI DI SICUREZZA**

Avvertenze di sicurezza in comune per operazioni di molatura e taglio abrasivo:

- Questo elettrotensile è in grado di funzionare come mola o dispositivo di taglio. Leggere attentamente tutte le avvertenze, le istruzioni e le specifiche fornite con l'apparecchio e fare riferimento alle illustrazioni. La mancata osservanza delle istruzioni riportate di seguito potrebbe provocare incidenti quali incendi, scosse elettriche e/o gravi lesioni fisiche.
- Operazioni di levigatura, spazzolatura o lucidatura non devono essere svolte con questo elettrotensile. La mancata osservanza di questa norma può provocare incidenti e gravi lesioni fisiche.
- Non utilizzare accessori che non sono stati appositamente progettati per questo apparecchio e che non sono raccomandati dal produttore. Anche se un accessorio può essere montato su un apparecchio, ciò non garantisce che l'apparecchio possa comunque essere utilizzato in totale sicurezza.
- La velocità nominale dell'accessorio deve essere pari o superiore alla velocità massima indicata sull'apparecchio. Gli accessori utilizzati ad una velocità superiore alla loro velocità nominale possono infatti rompersi ed essere proiettati verso l'esterno.
- Il diametro esterno e lo spessore dell'accessorio devono corrispondere alle caratteristiche specificate per l'apparecchio. Se gli accessori non corrispondono alle caratteristiche indicate, i sistemi di protezione e di regolazione dell'apparecchio non possono funzionare correttamente.
- Le mole, le flange, i pattini o gli altri accessori devono essere perfettamente idonei all'alesaggio dell'albero dell'apparecchio. Gli accessori non adatti all'albero sul quale devono essere montati non saranno infatti in grado di girare correttamente, vibreranno in modo eccessivo e faranno perdere il controllo dell'apparecchio.
- Non utilizzare un accessorio danneggiato. Prima di ciascun impiego, assicurarsi che l'accessorio utilizzato sia in buono stato: accertarsi quindi che i dischi abrasivi non siano scheggiati né fessurati, che i pattini non siano lacerati né usurati e che le setole delle spazzole metalliche non siano eccessivamente usurate né rotte. In caso di caduta dell'apparecchio o dell'accessorio, assicurarsi che non vi siano componenti danneggiati e, all'occorrenza, installare un accessorio nuovo. Dopo avere verificato che l'accessorio è in buono stato e dopo averlo installato, tenersi a debita distanza dall'accessorio mobile ed attendere circa un minuto affinché l'apparecchio raggiunga la velocità massima. Se l'accessorio è danneggiato, si romperà durante questo test.
- Indossare dispositivi equipaggiamento di protezione personale. A seconda dell'uso a cui è destinato l'apparecchio, indossare una maschera protettiva, occhiali di sicurezza o occhiali di

protezione. All'occorrenza, indossare una maschera antipolvere, dispositivi di protezione uditiva, guanti ed un grembiule di protezione per proteggersi da eventuali proiezioni di corpi estranei (elementi abrasivi, trucioli di legno, ecc.). Gli occhiali di protezione consentono di evitare le lesioni oculari dovute alle proiezioni di frammenti. Le maschere antipolvere permettono di filtrare le particelle generate dall'operazione eseguita. L'esposizione prolungata ad un rumore di forte intensità può comportare la perdita dell'udito.

- Tenere le persone estranee a debita distanza dalla zona di lavoro ed assicurarsi che indossino un'attrezzatura di protezione. Persone che entrano nella zona di lavoro deve indossare dispositivi di protezione individuale. Eventuali frammenti del pezzo da lavorare o di un accessorio rotto possono essere scagliati oltre la zona di lavoro e causare gravi lesioni fisiche.
- Quando si lavora su una superficie che può nascondere fili elettrici, tenere l'apparecchio afferrandolo soltanto per le parti isolate e antiscivolo. Il contatto con fili sotto tensione potrebbe trasmettere corrente alle parti in metallo e provocare scosse elettriche.
- Posizionare il cavo d'alimentazione in modo tale che si trovi a debita distanza dall'accessorio in rotazione. Se si perde il controllo dell'apparecchio, il cavo d'alimentazione potrebbe venire tagliato o incastrarsi e la mano o il braccio dell'operatore potrebbero essere trascinati verso l'accessorio in rotazione.
- Non posare mai l'apparecchio prima che l'accessorio si sia completamente arrestato. L'accessorio in rotazione potrebbe entrare a contatto con la superficie sulla quale è posato e fare perdere il controllo dell'apparecchio.
- Non fare funzionare l'apparecchio mentre lo si trasporta. L'accessorio in rotazione potrebbe impigliarsi nei propri indumenti e causare gravi lesioni.
- Pulire regolarmente le aperture di ventilazione dell'apparecchio. La ventilazione del motore fa penetrare le polveri all'interno del carter del motore, con conseguente accumulo eccessivo di particelle metalliche e possibilità di scosse elettriche.
- Non utilizzare l'apparecchio nelle vicinanze di prodotti infiammabili. Le eventuali scintille generate rischierebbero di incendiarli.
- Non utilizzare accessori che richiedono fluidi di raffreddamento. L'utilizzo di acqua o di liquidi di raffreddamento può causare episodi di elettrocuzione o scosse elettriche.

Avvertenze di sicurezza specifiche per operazioni di molatura e taglio abrasivo:

- Utilizzare solo con il tipo di ruote indicate con questo elettrotensile e con i pararuote specifici per queste ruote. L'utilizzo di ruote non progettate per essere utilizzate con questo utensile non garantirà la



protezione e la sicurezza dell'operatore.

- I **pararuote** devono essere collegati all'elettrotensile in modo da garantire una massima sicurezza, lasciando solo una minima parte delle ruote esposta verso l'operatore. La protezione aiuta a proteggere l'operatore da frammenti di ruota taglienti, contatto accidentale e scintille in grado di infiammare gli indumenti.
- Le ruote devono essere utilizzate solo per le applicazioni raccomandate. Per esempio, non svolgere operazioni di smerigliatura con la parte laterale delle ruote di taglio. Le ruote di taglio abrasive sono progettate per molature periferiche, applicare eccessiva forza su di esse potrà romperle.
- Utilizzare sempre flange per ruote non danneggiate delle corrette dimensioni e misure, adatte alle ruote selezionate. Le flange per le ruote di taglio riducendo la possibilità di rottura. Le flange per le ruote di taglio possono essere diverse dalle flange delle ruote di smerigliatura.
- Non utilizzare ruote consumate per elettrotensili grandi. Le ruote indicate per elettrotensili più grandi non sono adatte per velocità più alte di utensili più piccoli e potranno scoppiare.

Avvertenze di sicurezza addizionali specifiche per operazioni di taglio abrasivo:

- Non "incastrare" la ruota di taglio o applicare eccessiva pressione. Non tentare di fare un taglio eccessivamente profondo. Applicare una eccessiva forza sulla ruota aumenterà il carico e la possibilità che la ruota si pieghi o rimanga incastrata nel taglio e la possibilità di rimbalzi o di rottura delle ruote.
- Non posizionare il corpo in linea o dietro la ruota in movimento. Quando la ruota, durante il funzionamento, si sposta dal corpo, il rimbalzo potrà spingere la ruota e l'utensile verso l'operatore.
- Se la ruota rimane incastrata o quando si interrompono le operazioni di taglio per una qualsiasi ragione, scollegare l'elettrotensile e attendere fino a che la ruota non si sia bloccata completamente. Non tentare mai di rimuovere la ruota di taglio dal taglio mentre è in movimento, in caso contrario si potrà verificare un rimbalzo. Se il disco si incastra, individuarne la causa e adottare le misure necessarie affinché ciò non si verifichi più.
- Non riavviare le operazioni di taglio sul pezzo sul quale si sta lavorando. Lasciare che la ruota raggiunga la massima velocità quindi reinserire la lama nel taglio. La ruota potrà incastrarsi, rimanere bloccata o scagliare contro l'operatore corpi estranei se l'elettrotensile viene riavviato nel pezzo sul quale si sta lavorando.
- Reggere pannelli o pezzi più grandi sui quali si sta lavorando per minimizzare il rischio che la ruota rimanga incastrata e rischi di rimbalzo. I pezzi molti grandi sui quali si lavora tendono a cedere sotto il proprio peso. I sostegni dovranno essere posizionati sotto il pezzo sul quale si sta lavorando accanto alla

linea di taglio e vicino all'estremità del pezzo sul quale si sta lavorando su entrambi i lati della ruota.

- Fare ulteriore attenzione quando si svolgono "tagli di profondità" in muri o altre zone cieche. La ruota che protrude potrà tagliare tubi del gas e dell'acqua, cavi elettrici o scagliare verso l'operatore corpi estranei.

Rimbalzi e avvertenze correlate

Il contraccolpo è una reazione improvvisa che si verifica quando la mola in movimento, il pattino, la spazzola o qualunque altro accessorio si incastra o si piega, con conseguente bloccaggio rapido dell'accessorio. L'apparecchio, che continua a funzionare, viene quindi proiettato nella direzione opposta a quella di utilizzo dell'accessorio.

Ad esempio, se un disco abrasivo si incastra o si piega nel pezzo da lavorare, il tagliente del disco rischia di penetrare nella superficie del pezzo facendo uscire bruscamente il disco dal pezzo e scagliandolo verso l'operatore o comunque a distanza. La ruota può saltare verso o lontano dall'operatore, a seconda della direzione del movimento della ruota al punto di pizzicamento. In caso di contraccolpo, il disco abrasivo può anche rompersi.

Il contraccolpo è pertanto il risultato di un utilizzo errato dell'apparecchio e/o di procedimenti o di condizioni di impiego inappropriati.

- Tenere l'apparecchio saldamente e posizionare il proprio corpo e il braccio in modo tale da riuscire a controllare un eventuale contraccolpo. Se l'apparecchio dispone di un'impugnatura ausiliaria, assicurarsi sempre di afferrarla per avere il controllo ottimale dell'apparecchio in caso di contraccolpo o di controcoppia al momento della sua messa in funzione. Adottare le misure necessarie per riuscire a controllare l'apparecchio in caso di contraccolpo o di controcoppia.
- Non avvicinare mai la mano all'accessorio in rotazione, onde evitare qualunque rischio di gravi lesioni fisiche in caso di contraccolpo. Accessorio possono causare contraccolpi alla mano.
- Non sistemarsi nella zona in cui l'apparecchio rischia di essere scagliato in caso di contraccolpo. In caso di contraccolpo, l'apparecchio viene scagliato nella direzione opposta al senso di rotazione del disco.
- Prestare particolare attenzione quando si lavora su angoli, bordi taglienti, ecc. Evitare di fare scivolare o di incastrare l'accessorio. Quando si lavora su angoli o bordi taglienti o si fa scivolare l'apparecchio, si accentua il rischio di bloccare l'accessorio e pertanto di perdere il controllo dell'apparecchio stesso e di provocare un contraccolpo.
- Non utilizzare mai lame adatte alle troncatrici per legno o lame da sega con questo apparecchio. Queste lame aumentano infatti il rischio di contraccolpo e di perdita di controllo dell'apparecchio.

**UTILIZZO**

- Levigare metallo o tagliare materiali come metallo o pietra.

Note: Utilizzare solo gli accessori raccomandati. Le istruzioni per un utilizzo corretto degli accessori sono incluse con l'accessorio.

MANUTENZIONE

- Quando si svolgono operazioni di manutenzione, utilizzare solo ricambi identici. Utilizzare parti di ricambio diverse potrebbe causare rischi o danneggiare il prodotto.
- Evitare di utilizzare solventi quando si puliscono le parti in plastica. La maggior parte dei materiali plastici è soggetta a danni di vario tipo da solventi commerciali e può essere danneggiata dal contatto con gli stessi. Utilizzare un panno pulito per rimuovere tracce di sporco, polvere, olio, grasso, ecc.
- Indossare sempre una maschera per gli occhi o occhiali di sicurezza con schermi laterali durante le operazioni con il prodotto o quando si aspira polvere. Nel caso in cui si preveda che le operazioni di lavoro causeranno polvere, indossare sempre una maschera anti-polvere.
- Per evitare gravi lesioni personali, rimuovere sempre il gruppo batterie dal prodotto quando si svolgono operazioni di pulizia o manutenzione.
- Gli elementi in plastica non devono mai entrare a contatto con liquido dei freni, benzina, prodotti a base di petrolio, oli penetranti, ecc. Le sostanze chimiche potranno danneggiare, indebolire o distruggere la plastica, il che potrà risultare in gravi lesioni personali.
- Solo le parti mostrate sulla lista parti potranno essere riparate o sostituite dall'operatore. Tutte le parti devono essere sostituite da un Centro Servizi Autorizzato.

TUTELA DELL'AMBIENTE

Riciclare le materie prime anziché gettarle tra i rifiuti domestici. Per tutelare l'ambiente, l'apparecchio, gli accessori e gli imballaggi devono essere smaltiti separatamente.

SIMBOLI

Allarme di sicurezza



Conformità GOST-R



Conformità CE



Leggere attentamente le istruzioni prima di avviare l'utensile.



Indossare cuffie di protezione



Indossare occhiali di protezione



Indossare una maschera per la polvere.



Indossare guanti di sicurezza



Non utilizzare ruote smerigliatrici consumate, rotte o difettose



Non utilizzare per operazioni di taglio



Utilizzare una protezione



Metallo



I prodotti elettrici non devono essere smaltiti con i rifiuti domestici. Vi sono strutture per smaltire tali prodotti. Informarsi presso il proprio Comune o rivenditore di sicurezza per smaltire adeguatamente tali rifiuti.

**BIJZONDERE VEILIGHEIDSVOORSCHRIFTEN**

Normale veiligheidswaarschuwingen voor het slijpen en scherpe afsnijwerken:

- Dit werktuig is bedoeld om als slijpmachine of afsnijwerktuig te worden gebruikt. Lees aandachtig alle waarschuwingen, aanwijzingen en specificaties die bij deze machine worden meegeleverd en bestudeer de afbeeldingen. Als u onderstaande voorschriften niet opvolgt, kan dit leiden tot ongelukken zoals brand, elektrische schokken en/of ernstig lichamenlijk letsel.
- Van werkzaamheden, zoals schuren, staalborstelen of polijsten is het niet aanbevolen ze met dit werktuig uit te voeren. Niet naleving van dit voorschrift kan ongelukken en ernstig lichamenlijk letsel veroorzaken.
- Gebruik geen accessoires die niet specifiek voor deze machine zijn bedoeld en die niet zijn aanbevolen door de fabrikant. Ook al kan een accessoire wel op de machine worden gemonteerd, garandeert dit niet dat u de machine geheel veilig kunt gebruiken.
- De nominale snelheid van de accessoire moet hoger of gelijk zijn aan de maximale snelheid die op de machine is aangegeven. Als accessoires op een snelheid werken die hoger is dan hun nominale snelheid, kunnen ze breken of worden weggeslingerd.
- De buitendiameter en de dikte van de accessoire moeten overeenkomen met de specificaties die zijn voorgeschreven voor de machine. Als de accessoires niet overeenkomen met de voorgeschreven specificaties, werken de beveiligings-afstelsystemen van de machine mogelijk niet naar behoren.
- Slijpschijven, flenzen, schuurzolen en andere accessoires moeten perfect zijn aangepast aan de asdikte van de machine. Accessoires die niet geschikt zijn voor de as waarop ze moeten worden gemonteerd, zullen niet op de juiste manier ronddraaien, gaan overmatig trillen en kunnen u de macht over de machine doen verliezen.
- Gebruik een accessoire niet als het is beschadigd. Controleer eerst of de accessoire in goede staat is voordat u het gaat gebruiken: controleer of doorslijpschijven niet zijn ingekeept of gescheurd en of haren van staalborstels niet zijn versleten of afgebroken. Controleer of er geen elementen zijn beschadigd en installeer zondig een nieuw accessoire als de machine of accessoire is gevallen. Na te hebben gecontroleerd of de accessoire in goede staat is en na dit te hebben geïnstalleerd, zorgt u dat u op afstand blijft van de accessoire en laat u de machine gedurende één minuut op volle toeren draaien. Als de accessoire is beschadigd, zal het gedurende deze test breken.
- Draag persoonlijke beschermingsmiddelen. Afhankelijk van het gebruik dat u van uw machine maakt, dient u een veiligheidsmasker,

veiligheidsbril of beschermbril te dragen. Draag al naar behoefte een stofmasker, gehoorbeschermers, handschoenen en een veiligheidsschort om u te beschermen tegen alle eventueel rondslingerde voorwerpen (slijpsel, zaagsel, stukjes hout, enz.). Een veiligheidsbril helpt te voorkomen dat wegsplattend vuil uw ogen beschadigt. Door stofmaskers worden de deeltjes weggefilterd die ontstaan door het werk dat u aan het doen bent. Langdurige blootstelling aan intens geluid kan gehoorverlies veroorzaken.

- Houd omstanders op redelijke afstand van de werkzone en zorg dat zij een veiligheidsuitrusting dragen. Iedereen die zich binnen de werkzone moeten dragen van persoonlijke beschermingsmiddelen. Fragmenten van het werkstuk of een accessoire kunnen buiten de werkzone worden weggeslingerd en ernstig lichamenlijk letsel veroorzaken.
 - Houd het apparaat alleen vast aan geïsoleerde en slipvrije delen als u in een ondergrond werkt waarin zich eventueel elektrische leidingen bevinden. Door aanraking van spanningvoerende kunnen de metalen delen stroom gaan voeren en een elektrische schok veroorzaken.
 - Plaats het netsnoer op zodanige wijze dat het uit de buurt blijft van de draaiende accessoire. Als u de macht over de machine verliest, zou het netsnoer kunnen worden doorgesneden of beklemd kunnen raken en zou uw hand of arm naar de draaiende accessoire kunnen worden getrokken.
 - Leg de machine nooit neer voordat de accessoire volledig tot stilstand is gekomen. Een nog draaiende accessoire zou in aanraking kunnen komen met het oppervlak waarop u het neerlegt en u de macht over de machine doen verliezen.
 - Laat de machine niet werken tijdens het transport. De draaiende accessoire zou in uw kleding verstrikt kunnen raken en u ernstig kunnen verwonden.
 - Reinig regelmatig de ventilatieopeningen van de machine. De ventilatie van de motor doet stof in de motorombouw binnendringen, wat een overmatige opeenhoping van metaaldeeltjes kan verwekken en elektrische schokken kan veroorzaken.
 - Gebruik de machine niet in de buurt van brandbare stoffen. Door vonkvorming kunnen deze in brand worden gestoken.
 - Gebruik geen accessoires waarvoor koelvloeistoffen zijn vereist. Het gebruik van water of koelvloeistoffen kan elektrocuties of elektrische schokken veroorzaken.
- Specifieke veiligheidswaarschuwingen voor het slijpen en scherpe afsnijwerken:
- Gebruik uitsluitend slijpschijven die voor uw machine worden aanbevolen en de specifieke beschermkap, ontworpen voor de geselecteerde slijpschijf. Slijpschijven die niet voor de machine zijn ontworpen zijn onveilig.
 - De beschermkap moet stevig op de machine worden vastgemaakt en afgesteld voor maximale



veiligheid zodat zo weinig mogelijk van de slijpschijf aan de gebruiker wordt blootgesteld. De beschermer helpt de gebruiker beschermen tegen gebroken wielfragmenten, accidenteel contact met het wiel en vonken die kledij kunnen doen ontbranden.

- **Slijpschijven mogen uitsluitend worden gebruikt voor de aanbevolen toepassingen. Zo is het verboden te slijpen met de rand van de slijpschijf.** Afbraamschijven zijn bedoeld voor periferisch slijpen, zijdelingse krachten die op deze slijpschijven worden uitgeoefend kunnen ervoor zorgen dat deze breken.
- **Gebruik altijd onbeschadigde flensen met de juiste afmetingen en vorm voor het wiel dat u heeft geselecteerd.** Degelijke wielflensen ondersteunen de slijpschijf zodanig dat de kans dat de slijpschijf breekt, kleiner wordt. Flensen voor afbraamschijven kunnen verschillen van flensen voor doorslijpschijven.
- **Gebruik geen versleten wielen van grotere werktuigen.** Slijpschijven, bedoeld voor grotere machines zijn niet geschikt voor de hogere snelheid van een kleinere machine en kan breken.

Bijkomende veiligheidswaarschuwingen specifiek voor harde afsnijwerken:

- **"Blokkeer" het afsnijwiel niet en pas geen overdreven druk uit. Probeer geen overdreven diepe insnedes te maken.** Wanneer u teveel druk op het wiel plaatst verhoogt dit de lading en gevoeligheid voor plooiën en verstrengelen van het wiel in de insnede en de mogelijkheid tot terugslag.
- **Plaats uw lichaam niet in lijn met en achter het draaiende wiel.** Wanneer het wiel op het moment dat het begint te werken zich weg van uw lichaam beweegt, kan een mogelijke terugslag het draaiende wiel en het werktuig in uw richting werpen.
- **Wanneer het wiel vastraakt of wanneer een zaagsnede voor de een of andere reden wordt onderbroken, schakelt u de aan/uit-schakelaar uit en houd u het werktuig bewegingsloos tot het wiel volledig tot stilstand komt. Probeer het afsnijwiel nooit van de zaagsnede te verwijderen terwijl het wiel in beweging is; anders kan terugslag voorkomen.** Als de schijf zich vastklemt, moet u de oorzaak daarvan opzoeken en de nodige maatregelen nemen om te voorkomen dat het opnieuw gebeurt.
- **Herstart de zaagwerken niet in het werkstuk. Laat het wiel op topsnelheid komen en voeg de zaag voorzichtig opnieuw in de zaagsnede.** Het wiel kan vastraken, oplopen of terugslaan als het werktuig in het werkstuk wordt herstart.
- **Ondersteun panelen of grote werkstukken om het risico dat het wiel vastraakt en terugslaat te minimaliseren.** Grote werkstukken hebben de neiging om onder hun eigen gewicht door te zakken. Steunen moeten onder het werkstuk aan beide zijden van het wiel nabij de zaaglijn en de rand van het werkstuk worden geplaatst.
- **Wees extra voorzichtig wanneer u een "zakinsnede" in een bestaande muur of andere blinde plaats**

maakt. Het uitstekende wiel kan gas- of waterleidingen, elektrische bekabeling of voorwerpen die een terugslag kunnen veroorzaken, doorzagen.

Terugslag en aanverwante waarschuwingen

Een terugslag is een plotselinge reactie die optreedt wanneer een draaiende slijpschijf, schuurvoet, borstel of andere accessoire zich vastklemt of verbuigt, wat de snelle blokkering van de accessoire veroorzaakt. De machine wordt hierdoor in de tegengestelde richting van de gebruiksrichting van de accessoire geworpen.

Als bijvoorbeeld een doorslijpschijf zich vastklemt of verbogen raakt in het werkstuk, bestaat het gevaar dat de snijkant van de schijf zich diep in het oppervlak van het werkstuk drukt, waardoor de schijf plotseling uit het werkstuk kan komen. Het wiel kan zowel springen naar of uit de buurt van de exploitant, afhankelijk van de richting van de beweging van het wiel op de plaats van knijpen. Bij een terugslag kan de doorslijpschijf ook breken.

Terugslag is dus het gevolg van een verkeerd gebruik van de machine en/of van onjuiste procedures of omstandigheden.

- **Houd de machine stevig vast en plaats uw lichaam en uw armen zo dat ze een eventuele terugslag kunnen opvangen. Als de machine is voorzien van een zijhandgreep, dient u deze altijd te benutten om optimale macht over de machine te behouden bij terugslag of reactiekoppel wanneer de machine inschakelt.** Neem de nodige maatregelen om de machine in uw macht te kunnen houden in geval van terugslag of reactiekoppel.
- **Plaats uw hand nooit in de nabijheid van de draaiende accessoire om gevaar voor ernstig lichamelijk letsel te voorkomen in geval van terugstuiten.** Accessoire kan terugslaan over je hand.
- **Plaats uzelf niet in het gebied waarheen de machine zou kunnen terugstuiten in geval van terugslag.** Bij een terugslag wordt de machine in de tegenovergestelde richting van de draairichting van de schijf weggeslingerd.
- **Wees bijzonder waakzaam als u werkt aan de hoeken, scherpe randen, enz. Voorkom dat de accessoire uitschiet of beklemd raakt.** Wanneer u aan hoeken of scherpe randen werkt of wanneer u de machine laat uitschieten, is het gevaar om de accessoire te blokkeren veel groter, en om dus de macht over de machine te verliezen en een terugslag te veroorzaken.
- **Gebruik nooit een blad van een afkortzaag of een cirkelzaagblad in combinatie met deze machine.** Dergelijke bladen verhogen het risico voor terugslag en verlies van de macht over de machine.

BEOOGD GEBRUIK

- Het slijpen van metaal of zaagmateriaal, zoals metaal of steen.

Opmerking: Gebruik uitsluitend de aangeraden accessoires. Instructies voor het veilig gebruik van



accessoires zijn inbegrepen bij het accessoire.

ONDERHOUD

- Gebruik voor vervanging uitsluitend originele reserveonderdelen. Gebruik van niet originele onderdelen kan gevaar opleveren of schade aan de machine veroorzaken.
- Voorkom het gebruik van oplosmiddelen wanneer u kunststof onderdelen reinigt. De meeste kunststoffen zijn gevoelig voor schade van verschillende types commerciële schoonmaakproducten en kunnen door hun gebruik worden beschadigd. Gebruik een schone doek om vuil, stof, olie, vet, enz. te verwijderen.
- Draag altijd een veiligheidsbril of een veiligheidsbril met zijdelingse bescherming terwijl u de machine gebruikt of wanneer u stof blaast. Als het werk stof veroorzaakt, draag dan ook een stofmasker.
- Om ernstige letsels te vermijden, verwijder altijd de accu uit de machine wanneer u het schoonmaakt of onderhoudt.
- Voorkom steeds dat remvloeistoffen, benzine, petroleumproducten, kruitolie enz. in contact komen met kunststof onderdelen. Chemicaliën kunnen kunststof beschadigen, verzakken of verwoesten, wat kan leiden tot ernstig letsel.
- Enkel de getoonde onderdelen op de onderdelenlijst mogen door de klant worden gerepareerd of vervangen. Alle andere onderdelen moeten in een geautoriseerd onderhoudscentrum worden vervangen.

MILIEUBESCHERMING



Zorg dat grondstoffen worden gerecycleerd in plaats van weggegooid als afval. Om het milieu te beschermen dient de machine, de accessoires en de verpakking gesorteerd bij een erkend recyclingcentrum te worden aangeleverd.

SYMBOLLEN



Veiligheidswaarschuwing



GOST-R-conformiteit



EU-conformiteit



Lees de instructies zorgvuldig voordat u de machine in gebruik neemt.



Draag gehoorbescherming



Draag gezichtsbescherming



Draag een stofmasker.



Draag veiligheidshandschoenen



Gebruik geen gebroken, gearsten of defect slijp wiel



Niet geschikt voor zagen



Gebruik een beschermer



Metaal



Elektrisch afval mag niet samen met ander huishoudafval worden weggegooid. Gelieve te recycleren indien de mogelijkheid bestaat. Neem contact op met uw gemeente of handelaar om advies te krijgen over recyclage.

**REGRAS ESPECIAIS DE SEGURANÇA**

Advertências comuns de segurança para operações de corte abrasivo e esmerilar:

- Esta ferramenta está destinada a funcionar como uma ferramenta de corte ou esmerilar. Leia com atenção todas as advertências, instruções e especificações fornecidas com a ferramenta, e consulte as ilustrações. O incumprimento das instruções seguintes pode ocasionar acidentes como incêndios, choques eléctricos e/ou ferimentos graves.
- Não se recomenda que esta máquina seja utilizada em operações como lixagem, escovagem ou polimento. O incumprimento desta recomendação pode ocasionar acidentes e ferimentos graves.
- Não utilize acessórios que não são concebidos especificamente para esta ferramenta e que não são recomendados pelo fabricante. Mesmo se um acessório puder ser montado numa ferramenta, isso não garante que possa utilizar esta ferramenta com toda a segurança.
- A velocidade nominal do acessório deve ser igual ou superior à velocidade máxima indicada na ferramenta. Os acessórios que funcionam a uma velocidade superior à sua velocidade nominal podem quebrar e ser ejectados.
- O diâmetro externo e a espessura do acessório devem corresponder às características especificadas para a ferramenta. Se os acessórios não corresponderem às características indicadas, os sistemas de protecção e de ajuste da ferramenta não poderão funcionar correctamente.
- Os rebolos, as porcas de aperto, placas de lixar e outros acessórios devem ser perfeitamente adaptados ao furo do veio da ferramenta. Os acessórios não adaptados ao veio em que devem ser montados não giram correctamente, vibram excessivamente e farão perder o controlo da ferramenta.
- Não utilize um acessório danificado. Antes de cada utilização, verifique se o acessório que vai utilizar está em bom estado. Confirme que os discos abrasivos não estão rachados ou fissurados, que as placas de lixar não estão rasgadas ou usadas, que os pêlos das escovas metálicas não estão usados demais ou quebrados. Se a ferramenta ou o acessório cair, verifique se nenhum elemento ficou danificado e, sendo necessário, instale um acessório novo. Se a ferramenta ou o acessório cair, verifique se nenhum elemento ficou danificado e, sendo necessário, instale um acessório novo. Se o acessório estiver danificado, vai quebrar durante este teste.
- Usar equipamento de protecção pessoal. Conforme a utilização que faz da sua ferramenta, use uma máscara de protecção, óculos de segurança ou óculos de protecção. Conforme a utilização que faz da sua ferramenta, use uma máscara de protecção, óculos de segurança ou óculos de protecção. Se

necessário, use uma máscara anti-poeira, protecções auditivas, luvas e um avental de protecção, de modo a proteger-se contra qualquer projecção de corpos estranhos (elementos abrasivos, aparas de madeira, etc.). As máscaras anti-poeira permitem filtrar as partículas criadas pela operação realizada. As máscaras anti-poeira permitem filtrar as partículas criadas pela operação realizada.

- Mantenha os visitantes a boa distância da zona de trabalho e verifique se usam equipamento de protecção. Mantenha os visitantes a boa distância da zona de trabalho e verifique se usam equipamento de protecção. Os fragmentos da peça a trabalhar, ou de um acessório quebrado, podem ser projectados além da zona de trabalho e causar ferimentos graves.
 - Segure a ferramenta somente pelas partes isoladas e antiderrapantes quando trabalhar numa superfície que pode ocultar fios eléctricos. Um contacto com fios sob tensão poderia transmitir a corrente às partes metálicas e provocar choques eléctricos.
 - Posicione o fio de alimentação de modo que fique distante do acessório em rotação. Se perder o controlo da sua ferramenta, o fio de alimentação pode ser cortado ou ficar entalado, e a mão ou o braço poderia ser arrastado para o acessório em rotação.
 - Nunca assente a ferramenta enquanto o acessório não estiver completamente parado. O acessório em rotação poderia entrar em contacto com a superfície onde está assente e fazer perder o controlo da ferramenta.
 - Não faça funcionar a ferramenta quando a transporta. O acessório em rotação poderia prender-se nas roupas e causar ferimentos graves.
 - Limpe regularmente as fendas de ventilação da ferramenta. A ventilação do motor faz penetrar as poeiras no cárter do motor, o que pode ocasionar uma acumulação excessiva de partículas metálicas e provocar choques eléctricos.
 - Não utilize a sua ferramenta próximo de produtos inflamáveis. As chispas poderiam inflamá-los.
 - Não utilize acessórios que requerem fluidos de arrefecimento. A utilização de água ou de líquidos de arrefecimento pode provocar electrocussões ou choques eléctricos.
- Advertências de segurança adicionais específicas para operações de corte abrasivo e esmerilar:**
- Utilize exclusivamente tipos de discos recomendados para a sua ferramenta e a protecção específica concebida para o disco seleccionado. Os discos para os quais a ferramenta não foi concebida não podem ser adequadamente protegidos e implicam um risco.
 - A protecção deve estar firmemente presa à ferramenta e posicionada para proporcionar a máxima segurança, de modo a que a menor quantidade de disco fique exposto face ao operador. A protecção ajuda a proteger o operador de



estilhaços de uma mó partida, do contato acidental com a roda e fr faíscas que podem incendiar a roupa.

- **Os discos só devem ser usados para as aplicações recomendadas. Por exemplo, não triture com a parte lateral do disco de corte.** Os discos de corte são concebidos para a esmerilhagem periférica, sendo que as forças laterais aplicadas a esses discos podem fazer com que estilhacem.
- **Utilize sempre aletas em boas condições e do tamanho e forma correctos para o disco seleccionado.** As adequadas aletas de disco suportam o disco reduzindo, assim, a possibilidade de este se partir. As aletas dos discos de corte podem ser diferentes das aletas dos discos de trituração.
- **Não use discos desgastados de ferramentas eléctricas maiores.** Os discos destinados a ferramentas maiores não são adequados à velocidade superior de ferramentas mais pequenas e podem reberantar.

Advertências de segurança adicionais específicas para operações de corte abrasivo:

- **Procure não "entupir" o disco de corte ou aplicar uma pressão excessiva. Não trate de fazer uma excessiva profundidade de corte.** A sobrecarga do disco aumenta a carga e a susceptibilidade à torção ou ao entupimento do disco e a possibilidade de contragolpes ou rotura do disco.
- **Não coloque o seu corpo em linha com ou por trás do disco giratório.** Quando o disco está em funcionamento e distancia-se do seu corpo, um eventual contragolpe poderia projectar o disco giratório e a ferramenta em direcção a si.
- **Quando o disco ficar preso ou quando interromper um corte por qualquer razão, desligue a ferramenta e mantenha a ferramenta sem realizar movimentos até que o disco pare completamente. Nunca tente retirar o disco de corte do corte enquanto o disco estiver em movimento, caso contrário poderá ocorrer uma força de recuo.** Se o disco ficar entalado, procure a causa e tome as medidas necessárias para que isso não volte a acontecer.
- **Não reinicie a operação de corte na peça a trabalhar. Permita que o disco alcance a velocidade total e volte a efectuar o corte cuidadosamente.** O disco pode prender, avançar ou recuar se a ferramenta for iniciada na peça a trabalhar.
- **Apoie os painéis ou qualquer peça a trabalhar sobredimensionada para minimizar o risco de aperto do disco e consequente força de recuo.** As peças a trabalhar grandes têm tendência vergar sob o seu próprio peso. Os apoios devem ser colocados por baixo da peça a trabalhar perto da linha de corte e perto da borda da peça a trabalhar em ambos os lados do disco.
- **Tenha muito cuidado ao fazer um "corte de bolso" em paredes ou outras superfícies similares.** O disco saliente pode cortar tubos de gás ou água, fios eléctricos ou objectos que podem provocar uma força

de recuo.

Recuo e avisos associados

O contra-golpe é uma reacção súbita que se produz quando o rebolo em movimento, a placa de lixar, a escova ou qualquer outro acessório fica entalado ou torcido, o que provoca o bloqueio repentino do acessório. A ferramenta, que continua a funcionar, é então projectada na direcção oposta ao sentido de utilização do acessório.

Por exemplo, se um disco abrasivo ficar entalado ou torcido na peça a trabalhar, o gume do disco pode encravar-se na superfície da peça a trabalhar, fazendo com que o disco suba ou seja projectado bruscamente. A roda pode saltar para perto ou para longe do operador, dependendo da direcção do movimento da roda no ponto de perfuração. Em caso de contra-golpe, o disco abrasivo também pode quebrar.

Pode ser evitado tendo o cuidado de respeitar certas precauções.

- **Mantenha a ferramenta bem firme e coloque o corpo e o braço de modo a poder controlar um eventual contra-golpe.** Se a ferramenta tiver uma pega auxiliar, esta deve ser sempre utilizada para ter um óptimo controlo da ferramenta em caso de contra-golpe ou binário de reacção ao pôr a ferramenta a trabalhar. Tome as disposições necessárias de modo a poder controlar a ferramenta em caso de contra-golpe ou binário de reacção.
- **Nunca ponha a mão próximo do acessório em rotação, de modo a evitar qualquer risco de ferimentos graves no caso de contra-golpe.** O acessório pode recuar mais de sua mão.
- **Não fique na zona onde a ferramenta pode ser projectada em caso de contra-golpe.** Em caso de contra-golpe, a ferramenta é projectada na direcção oposta ao sentido de rotação do disco.
- **Preste uma atenção particular quando trabalha em ângulos, bordos cortantes, etc. Evite fazer derrapar ou entalar o acessório.** Quando trabalhar em ângulos ou bordos cortantes ou quando fizer derrapar a ferramenta, o risco de bloquear o acessório é maior, e por isso de perder o controlo da ferramenta e provocar um contra-golpe.
- **Nunca utilize uma lâmina de corte para madeira ou uma lâmina de serra com esta ferramenta.** Estas lâminas aumentam o risco de contra-golpe e de perda de controlo da ferramenta.

UTILIZAÇÃO PREVISTA

- Afiar metal ou cortar materiais como metal ou pedra.

Nota: Utilize apenas acessórios recomendados. As instruções para o uso seguro dos acessórios estão incluídas com o acessório.



MANUTENÇÃO

- Ao realizar serviços de manutenção, use apenas peças de substituição idênticas. O uso de quaisquer outras peças pode criar perigo ou causar danos ao aparelho.
- Evite usar solventes ao limpar as peças de plástico. A maioria dos plásticos são susceptíveis a danos de vários tipos de solvente comerciais e podem ser danificados pela sua utilização. Use panos limpos para remover a sujidade, a poeira, o óleo, a gordura, etc.
- Use sempre óculos de protecção ou óculos de segurança com protecções laterais durante o funcionamento do produto eléctrico ou ao soprar o pó. Caso a operação seja poeirenta, use também uma máscara contra o pó.
- Para evitar graves lesões pessoais, retire sempre a bateria do aparelho ao limpar ou realizar qualquer trabalho de manutenção.
- Os elementos de plástico nunca devem entrar em contacto com líquido de travões, gasolina, produtos à base de petróleo, óleos penetrantes, etc. Estes produtos químicos contêm substâncias que podem danificar, deteriorar ou destruir o plástico, o que poderia provocar ferimentos graves.
- Apenas as peças indicadas na lista de peças se destinam a ser reparadas ou substituídas pelo cliente. Todas as outras peças devem ser substituídas por um Centro de Assistência Autorizado.



Use máscara contra pó.



Use luvas de segurança



Não use uma mó lascada, rachada ou com defeito



Não use para cortar



Use uma protecção



Metal



Os aparelhos eléctricos antigos não devem ser eliminados juntamente com o lixo doméstico. Recicle onde existem instalações para o efeito. Verifique com as suas Autoridades Locais ou revendedor para obter informações sobre reciclagem.

PROTECÇÃO DO AMBIENTE



Recicle os materiais em vez de pô-los directamente no lixo doméstico. Para proteger o ambiente, a ferramenta, os acessórios e as embalagens devem ser seleccionados.

SÍMBOLOS



Alerta de Segurança



Conformidade GOST-R



Conformidade CE



Agradecemos que leia atentamente as instruções antes de iniciar a máquina.



Use protecção para os ouvidos



Use protecção para os olhos



SÆRLIGE SIKKERHEDSREGLER

Sikkerhedsadvarsler fælles for slibning og abrasivt afskæringsarbejde:

- Dette elværktøj er beregnet til at fungere som slibemaskine eller afskæringsværktøj. Læs alle omhyggeligt alle advarsler, anvisninger og specifikationer, som følger med maskinen, og studer illustrationerne. Hvis nedenstående forskrifter ikke overholdes, kan der ske uheld og ulykker som brand, elektrisk stød og/eller alvorlige personskader.
- Det kan ikke anbefales at bruge dette elværktøj til fx træslibning, tråd børstning eller polering. Hvis denne regel ikke overholdes, kan der ske ulykker, så man kommer alvorligt til skade.
- Anvend ikke tilbehør, som ikke er specielt beregnet til dette værktøj, og som ikke anbefales af fabrikanten. Selv om en tilbehørsdel kan monteres på et værktøj, er der ingen garanti for, at det er forsvarligt at bruge værktøjet.
- Tilbehørets mærkehastighed skal være lig med eller højere end maksimalhastigheden anført på værktøjet. Hvis tilbehøret anvendes med en hastighed, der er højere end dets mærkehastighed, kan det knække og rive sig løs.
- Tilbehørets udvendige diameter og tykkelse skal svare til det for værktøjet specificerede. Hvis tilbehøret ikke svarer til de anførte specifikationer, virker værktøjets sikkerheds- og indstillingssystemer måske ikke efter hensigten.
- Slibeskiver, flanger, slibepuder og andet tilbehør skal passe fuldstændigt til værktøjets akselboring. Tilbehør, som ikke passer til akslen, de skal monteres på, vil ikke dreje ordentligt rundt og kan vibrere kraftigt, så man mister kontrollen over værktøjet.
- Brug aldrig en beskadiget tilbehørsdel. Inden værktøjet bruges, undersøges den anvendte tilbehørsdel: se slibeskiverne efter for revner og skår, slibepuderne for flænger og slitage og metalbørsterne for kraftig slitage og knækkede tråde. Hvis værktøjet eller tilbehøret falder på gulvet, skal alle dele undersøges for skader, og der påmonteres evt. nyt tilbehør. Efter tilbehøret er undersøgt for skader og monteret, holdes afstand til det roterende tilbehør, mens værktøjet kører et minut på fuld hastighed. Hvis tilbehøret er beskadiget, vil det knække under denne test.
- Bær personlige værnemidler. Brug beskyttelsesmaske, sikkerheds- eller beskyttelsesbriller afhængig af den pågældende opgave. Om nødvendigt bruges støvmaske, høreværn, handsker og beskyttelsesforklæde som sikring mod løsevne fremmedlegemer (slibeelementer, spåner m.v.). Med beskyttelsesbriller undgår man øjenskader på grund af udslyngede stumper. Støvmasken filtrerer partikler dannet under arbejdet. Hvis man udsættes for kraftig støj i længere tid, kan hørelsen tage skade.

- Sørg for at holde tilskuere i god afstand fra arbejdsstedet, og for at få dem til at bruge beskyttelsesudstyr. Alle kommer ind i arbejdsområdet skal bære personlige værnemidler. Stumper fra arbejdsstykket eller et knækket tilbehør kan springe langt væk fra arbejdsstedet og forårsage alvorlige ulykker.
- Hold altid værktøjet i de isolerede gribesikre dele ved arbejde på flader, som kan skjule elektriske ledninger. Ved kontakt med strømførende ledninger kan metaldelene lede strømmen og give elektrisk stød.
- Anbring ledningen således, at den ikke kommer i nærheden af det roterende tilbehør. Hvis man mister kontrollen over værktøjet, kan ledningen blive skåret over eller sætte sig fast, og hånden eller armen kan blive trukket hen mod det roterende tilbehør.
- Læg ikke værktøjet ned, før tilbehøret står helt stille. Det roterende tilbehør kan gribe fat i fladen, det lægges på, så man mister kontrollen over værktøjet.
- Lad ikke værktøjet arbejde, mens det flyttes eller bæres. Det roterende tilbehør kan hænge fast i tøjet og forårsage alvorlige skader.
- Rens værktøjets ventilationsåbninger med jævne mellemrum. Motorens ventilation bevirker, at der trænger støv ind i motorkassen, og at der derfor ophobes for mange metalpartikler, som kan forårsage elektrisk stød.
- Anvend ikke værktøjet i nærheden af brændbare stoffer. De kan blive antændt af gnister.
- Brug ikke tilbehør, som kræver kølemiddel. Hvis der anvendes vand eller flydende kølemiddel, kan man få elektrisk stød, måske livsfarligt.

Sikkerhedsadvarsler specifikt for slibning og abrasivt afskæringsarbejde:

- Brug kun hjul typer, der er anbefalet til elværktøjet, og brug og den specifikke skærm, der er beregnet til det pågældende hjul. Hjul, som elværktøjet ikke er beregnet til, kan ikke afdækkes tilstrækkeligt og er derfor usikre at bruge.
- Skærmen skal fastgøres ordentligt til elværktøjet og positioneres for maksimal sikkerhed, således at så lille en del af hjulet er blottet for operatøren. Skærmen hjælper til at beskytte operatøren mod afknækkede skivesegmenter, utilsigtet kontakt med skiven samt evt. gløder, som kan antænde tøj.
- Hjul må kun bruges til de anbefalede anvendelsesformål. Man må fx ikke slibe med siden af skærehjulet. Abrasive skærehjul er beregnet til periferislibning; hjulene kan begynde at ryste, hvis de udsættes for sidekræfter.
- Brug altid uskadte hjulflanger med korrekt størrelse og form i forhold til det valgte hjul. Ordentlige hjulflanger understøtter hjulet og reducerer dermed faren for, at hjulet knækker. Flanger til skærehjul kan være forskellige fra slibehjulflanger.
- Brug ikke udslidte hjul fra større elværktøjer. Hjul beregnet til større elværktøjer er uegnede til de højere



hastigheder på mindre værktøjer og risikerer at knække.

Ekstra sikkerhedsadvarsel specifikt for abrasivt afskæringsarbejde:

- Undgå at "blokere" afskæringshjulet eller anvende overdrevent pres. Forsøg ikke at udføre overdrevent dybe snit. Overbelastning af hjulet øger belastningen og tilbøjeligheden til vrid eller blokering af hjulet samt tilbageslag ("kickback") eller hjulbrud.
- Anbring ikke kroppen på linje med og bag ved det roterende hjul. Når du under arbejdet bevæger hjulet bort fra kroppen, kan et evt. tilbageslag ("kickback") bevirke, at det roterende hjul og selve elværktøjet slynges direkte ind mod dig.
- Når hjulet binder, eller hvis man af en eller anden grund er nødt til at afbryde et snit, skal man slukke elværktøjet og holde det stille, indtil hjulet er fuldstændigt stoppet. Forsøg aldrig at tage skærehjulet ud af snittet, mens hjulet roterer; der er fare for tilbageslag ("kickback"). Hvis skiven sætter sig fast, skal årsagen søges og de nødvendige forholdsregler tages for at undgå, at det sker igen.
- Genstart ikke skæreoperationen i emnet. Vent, til hjulet har tophastighed, og sæt det da forsigtigt ind i snittet igen. Hjulet kan binde, kravle op eller slå tilbage, hvis elværktøjet genstartes, mens hjulet sidder i emnet.
- Understøt paneler og andre større emne for at minimere faren for, at hjulet binder eller slår tilbage. Store emner har tendens til at synke ned under egenvægten. Understøtninger skal anbringes under emnet nær skærelinjen og nær emnekanten på begge sider af hjulet.
- Man skal være ekstra forsigtig under fremstilling af "lommensnit" i eksisterende vægge eller andre blinde områder. Det udragende hjul kan skære i gas- eller vandrør, elledninger eller genstande, som kan forårsage tilbageslag ("kickback").

Tilbageslag ('kickback') og tilhørende advarsler

Tilbageslag er en pludselig reaktion, som opstår, når den roterende slibeskive, slibepude, børste eller andet tilbehør kommer i klemme eller vrider sig og derefter sætter sig fast. Værktøjet, som arbejder videre, bliver så kastet modsat tilbehørets driftsretning.

Hvis fx. en slibeskive kommer i klemme eller vrider sig i emnet, kan skivens kant trænge ned i emnets overflade, hvorefter skiven pludselig springer ud af emnet, så værktøjet bliver slynget mod brugeren. Hjulet kan enten hoppe mod eller væk fra operatøren, afhængigt af retning af hjulets bevægelse på det sted, klemmer. Ved tilbageslag kan slibeskiven tilmed knække.

Tilbageslag skyldes altså, at værktøjet bruges forkert, og/eller at fremgangsmåden eller driftsforholdene er u hensigtsmæssige. Det kan undgås, hvis der tages nogle forholdsregler.

- Grib godt fat om værktøjet, og hold kroppen og armen i en stilling, hvor et eventuelt tilbageslag kan kontrolleres. Hvis værktøjet har et hjælpehåndtag,

skal det altid bruges for at kunne styre værktøjet optimalt, hvis der opstår tilbageslag eller et reaktionsmoment, når værktøjet sættes i gang. Tag de nødvendige forholdsregler for at kunne styre værktøjet, hvis der opstår tilbageslag eller et reaktionsmoment ved start.

- Anbring aldrig hånden i nærheden af det roterende tilbehør for ikke at komme alvorligt til skade i tilfælde af tilbageslag. Tilbehør kan tilbageslag over din hånd.
- Stå ikke i det område, hvor værktøjet kan blive slynget hen i tilfælde af tilbageslag. Hvis der opstår tilbageslag, bliver værktøjet kastet modsat skivens omdrejningsretning.
- Vær særlig opmærksom ved bearbejdning af hjørner, skarpe kanter o.l. Undgå, at tilbehøret skrider eller bliver klemt fast. Ved bearbejdning af hjørner eller skarpe kanter eller hvis værktøjet kommer til at skride, er der større risiko for, at tilbehøret sætter sig fast og altså for at miste kontrollen over værktøjet, så der opstår tilbageslag.
- Brug aldrig skæreklinger til træ eller savklinger med dette værktøj. Den slags klinger øger risikoen for tilbageslag og for at miste kontrollen over værktøjet.

TILTÆNKT ANVENDELSESFORMÅL

- Slibning af metal eller skæring i materialer så som metal eller sten.

Bemærk: Brug kun anbefalede tilbehørsdele. Vejledning til sikker brug af tilbehørsdele følger med dette tilbehør.

VEDLIGEHOLDELSE

- I forbindelse med servicearbejde må der kun bruges originale reservedele. Brug af alternative dele kan forårsage farlige situationer eller ødelægge produktet.
- Undgå brug af opløsningsmidler til rengøring af plastdele. De fleste plastdele tåler ikke forskellige typer kommercielle opløsningsmidler og risikerer at blive ødelagt af disse. Fjern snavs, støv, olie, smørefedt osv. med en ren klud.
- Bær altid sikkerhedsbriller med sideskjolde under betjening af elproduktet eller ved støv-ophvirvling. Hvis der ophvirvles støv under arbejdet, bæres også støvmaske.
- For at undgå alvorlige personskader skal man altid tage batteriet ud af produktet i forbindelse med rengøring eller vedligeholdelse.
- Plastelementerne må aldrig komme i berøring med bremsevæske, benzin, olie- eller petroleumsbaserede produkter, rustlønende olie o. lign. Disse kemiske produkter indeholder stoffer, som kan beskadige, mørne eller ødelægge plastmaterialet, så man risikerer at komme alvorligt til skade.
- Kun de dele, der fremgår af reservedelslisten, må repareres eller udskiftes af kunden selv. Alle andre dele



skal udskiftes på et autoriseret servicecenter.

MILJØBESKYTTELSE



Råmaterialerne skal genbruges og ikke bortskaffes som almindeligt affald. Af hensyn til miljøet skal redskab, tilbehør og emballage sorteres.

SYMBOLER



Sikkerheds Varsel



GOST-R Overensstemmelse



CE Overensstemmelse



Læs venligst vejledningen grundigt igennem før maskinen tages i brug.



Benyt høreværn



Benyt øjenværn



Bær støvmaske.



Bær sikkerhedshandsker



Undgå at bruge krakelerede, revnede eller defekte slibeskiver



Må ikke bruges til skæring



Brug skærm



Metal



Elektriske affaldsprodukter bør ikke afskaffes sammen med husholdningsaffald. Genbrug venligst hvor faciliteterne tillader dette. Tjek med din lokale kommune eller forhandler for genbrugsråd.



SPECIFIKA SÄKERHETSREGLER

Gemensamma säkerhetsvarningar för slipning och slipande kapping:

- Det här motordrivna verktyget är tänkt att fungera både som en slip- eller kappmaskin. Läs uppmärksam alla varningar, instruktioner och specifikationer som bifogas med detta verktyg och studera bilderna. Underlåtenhet att respektera dessa föreskrifter kan leda till olyckor som brand, elektriska stötar och/eller allvarliga kroppsskador.
- Aktiviteter som exempelvis sandning, användning av stålborste och polering är inte rekommenderade att utföra med det här verktyget. Underlåtenhet att följa denna föreskrift kan förorsaka olyckor och allvarliga kroppsskador.
- Använd inte tillbehör som inte speciellt konstruerats för detta verktyg och som inte rekommenderas av tillverkaren. Även om ett tillbehör kan monteras på ett verktyg är detta ingen garanti för att du kan använda verktyget helt tryggt.
- Tillbehörets nominella hastighet ska vara lika med eller högre än den maximala hastighet som anges på verktyget. Tillbehör som fungerar i en hastighet som är högre än deras nominella hastighet kan brytas av och slungas ut.
- Tillbehörets ytterdiameter och tjocklek bör motsvara de karakteristiska och getts för verktyget. Om tillbehören inte motsvarar givna karakteristika, kan det hända att verktygets skyddssystem och inställning inte fungerar normalt.
- Slipskivor, flänsar, slipdynor eller andra tillbehör måste vara fullständigt anpassade till spindelns häldiameter. Tillbehör som inte är anpassade till det verktyg de monteras på fungerar inte normalt, vibrerar extremt och får dig att förlora kontrollen över verktyget.
- Använd inte ett skadat tillbehör. Kontrollera före varje användning att tillbehöret som du använder är i gott skick: kontrollera att slipskivorna inte är kantstötta eller spruckna, att slipdynorna inte är trasiga eller slitna, att håren på metallborstarna inte är för slitna eller avbrutna. Om verktyget eller tillbehöret tappas, kontrollera att ingen del har skadats och montera vid behov ett nytt tillbehör. Efter att ha kontrollerat att tillbehöret är i gott skick och efter att ha monterat det, håll dig på avstånd från det rörliga tillbehöret och låt verktyget gå i maximal hastighet under en minut. Om tillbehöret är skadat bryts det av under denna kontroll.
- Använd personlig skyddsutrustning. Beroende på vad du använder verktyget till bör du använda en skyddsmask, säkerhetsglasögon eller skyddsglasögon. Använd även vid behov en skyddsmask mot damm, hörselskydd, handskar och skyddsförkläde för att skydda dig mot utslungade främmande föremål (slipdelar, träspån, osv.). Skyddsglasögon hindrar att utslungat avfall skadar ögonen. Skyddsmasken mot damm filtrerar partiklarna som alstras av det arbete du utför. Långvarig

exponering för kraftigt ljud kan leda till hörselörlust.

- Håll besökare på ett lämpligt avstånd från arbetsområdet och se till att de använder en skyddsutrustning. Den som kommer in i arbetsområdet måste bära personlig skyddsutrustning. Bitar av arbetsstycket eller ett trasigt tillbehör kan slungas ut från arbetsområdet och förorsaka allvarliga kroppsskador.
 - Håll i verktyget endast i de isolerade och slirsäkra delarna, när du arbetar på en yta som kan dölja elkablar. Kontakt med kablar under spänning kunde överföra ström till metalldelar och förorsaka elstöt.
 - Placera nätsladden så att den är på avstånd från det roterande tillbehöret. Om du förlorar kontrollen över verktyget kan nätsladden skäras av eller kilas fast och din hand eller din arm kan dras emot det roterande tillbehöret.
 - Lägg aldrig ned verktyget innan tillbehöret stannat helt. Det roterande tillbehöret kan komma i kontakt med ytan det är ställt på och få dig att förlora kontrollen över verktyget.
 - Ha inte verktyget i gång medan du transporterar det. Det roterande tillbehöret skulle kunna fastna i kläderna och skada dig allvarigt.
 - Rengör regelbundet verktygets ventilationsöppningar. Motorventilationen gör att damm tränger in i motorhuset, vilket kan förorsaka en extrem anhopning av metallpartiklar och framkalla elektriska stötar.
 - Använd inte verktyget i närheten av lättantändliga produkter. Gnistor kan antända dem.
 - Använd inte tillbehör som kräver kylvätskor. Användning av vatten eller kylvätskor kan förorsaka elektriska stötar.
- Säkerhetsvarningar specifikt för för slipning och slipande kapping:
- Använd endast skivtyper som rekommenderas till ditt verktyg och använd endast det skydd som är avsett för den valda skivtypen. Skivor som inte är anpassade för maskinen kan inte skyddas ordentligt och är osäkra att använda.
 - Skyddet måste sitta fast ordentligt på verktyget och vara placerat så att det erbjuder maximalt skydd där användaren exponeras för en så liten del av skivan som möjligt. Skyddet skyddar användaren mot skivbitar som lossnar, kontakt av misstag med skivan och gnistor som kan antända kläder.
 - Skivorna får endast användas till de aktiviteter som de är avsedda för. Exempel: använd inte sidorna på en kapskiva för att slipa. Abrasiva kapskivor är avsedda för slipning med skivans periferi; om skivorna utsätts för sidokrafter kan de spricka.
 - Använd alltid oskadade skivflänsar i rätt storlek och form så att de passar den skiva du använder. Korrekta skivflänsar stärker skivan och minskar risken att den går sönder. Flänsarna för kapskivor kan vara annorlunda än flänsarna för slipskivor.



- **Använd inte nedslitna skivor från större maskiner.** Skivor som är avsedda för större verktyg är inte lämpliga att använda till mindre verktyg med högre hastighet eftersom skivan kan splittras.

Ytterligare säkerhetsvarningar specifikt för slipande kapping:

- **"Blockera" inte skivan och lägg inte på för stort tryck. Försök inte att göra ett för djupt skär.** Överbelastning av skivan ökar påfrestningarna, och risken att skivan böjs eller fastnar i skåret ökar samtidigt som det finns risk för återkast och att skivan går sönder.
- **Placera inte din kropp i linje med, och bakom, den roterande skivan.** När skivan under användning roterar bort från din kropp kan ett återkast få den roterande skivan och hela maskinen att kastas mot dig.
- **När klingan nypas fast eller när du avbryter kappingen av någon anledning ska du slå av elverket och hålla det helt still tills skivan har stannat helt. Försök aldrig dra ur kapskivan ur ett kapspår medan skivan är i rörelse eftersom det kan orsaka ett våldsamt kast (kickback).** Om skivan kllas fast, ta reda på orsaken och vidta nödvändiga åtgärder för att detta inte upprepas.
- **Starta inte maskinen igen medan skivan sitter i arbetsstycket. Låt skivan komma upp i maximal hastighet och för sedan försiktigt in skivan i kapspåret igen.** Skivan kan nypas fast, klättra uppåt eller slungas bakåt med en våldsam kraft om elverket startas om medan skivan sitter i arbetsstycket.
- **Använd stöd på undersidan av paneler eller extremt stora arbetsstycken för att minska risken att skivan nypas fast och att maskinen kastas mot dig.** Stora arbetsstycken tenderar att bågna av sin egen vikt. Placera stöd, till exempel bockar, på båda sidor av arbetsstycket; placera dem nära sågspåret och nära arbetsstyckets kanter.
- **Var extra försiktig när du gör "instickssågningar" i befintliga väggar eller andra dolda områden.** En utstickande skiva kan kapa av gas- eller vattenledningar, elledningar eller föremål som kan orsaka ett våldsamt kast.

Återkast och relaterade varningar

Återslaget är en plötslig reaktion som inträffar då slipskivan som är i rörelse, slipdynan, borsten eller ett annat tillbehör fastnar eller vrids, vilket leder till att tillbehöret snabbt låses fast. Verktöget, som fortsätter att fungera, kastar då verktöget i motsatt riktning jämfört med tillbehörets användningsriktning.

Om till exempel en slipskiva kläms ihop eller vrids inne i arbetsstycket, kan eggen på skivan tryckas in i arbetsstyckets yta, vilket gör att skivan snabbt går ut ur arbetsstycket och slungas mot användaren. Hjulet kan antingen hoppa mot eller bort från operatören, beroende på riktning av hjulet rörelse på platsen för klämskador. I händelse av återslag kan slipskivan även brytas av.

Det kan undvikas genom att vidta några försiktighetsåtgärder.

- **Håll stadigt i verktöget och placera kroppen och armen så att du kan kontrollera ett eventuellt återslag. Om verktöget har ett hjälphanntag, håll alltid i det för att kunna kontrollera verktöget optimalt i händelse av återslag eller reaktionsmoment vid start av verktöget.** Vidta nödvändiga åtgärder för att kunna kontrollera verktöget i händelse av återslag eller reaktionsmoment.
- **Ha aldrig handen i närheten av det roterande tillbehöret för att undvika risker för allvarliga kroppsskador vid återslag.** Tillbehör kan kast över din hand.
- **Stå inte i det område dit verktöget kan slungas vid återslag.** Vid återslag slungas verktöget i motsatt riktning jämfört med skivans rotation.
- **Var speciellt på din vakt då du arbetar i hörn, på vassa kanter, osv. Låt inte tillbehöret slira eller kllas fast.** Då du arbetar i hörn eller på vassa kanter eller då verktöget slirar är risken större att tillbehöret blockeras, att du förlorar kontrollen över verktöget och att ett återslag uppstår.
- **Använd aldrig en kapskiva för trä eller en sågklinga med detta verktyg.** Dylka skivor eller klingor ökar risken för återslag och för att man förlorar kontrollen över verktöget.

ANVÄNDNINGSSOMRÅDE

- Slipa metall eller skära material som metall och sten.

Notera: Använd endast rekommenderade tillbehör. Instruktioner för hur tillbehör används säkert följer med tillbehören.

UNDERHÅLL

- Använd endast identiska originaldelar när du servar maskinen. Användning av andra delar kan orsaka fara eller produktskada.
- Undvik att använda lösningsmedel vid rengöring av plastdelar. De flesta plaster är känsliga för skador vid användning av olika typer av kommersiella lösningsmedel och kan skadas om du använder sådana. Använd en ren och torr trasa för att ta bort smuts, damm, olja, fett, osv.
- Använd alltid skyddsglasögon eller skyddsglasögon med sidoskydd när du använder produkten eller blåser damm. Använd en ansiktsmask om det dammar mycket.
- Ta alltid bort batteripacken från produkten vid rengöring eller underhållsarbeten för att undvika allvarlig kroppsskada.
- Se till att plastdelarna aldrig kommer i kontakt med bromsvätska, bensin, produkter med petroleumbas, penetrerande oljor, osv. Dessa kemiska produkter innehåller ämnen som kan skada, försvaga eller förstöra plasten, vilket kunde förorsaka allvarliga kroppsskador.
- Endast delarna på reservdelslistan är avsedda att



repareras eller bytas ut av kunden. Alla andra delar bör bytas hos ett Auktoriserat Service Center.

MILJÖSKYDD



Råmaterialen ska återvinnas i stället för att kastas i hushållsavfallet. För att skona miljön ska verktyget, tillbehören och emballagen sorteras.

SYMBOLER



Säkerhetsvarning



GOST-R-konformitet



CE-konformitet



Läs instruktionerna ordentligt innan start av maskinen.



Bär hörselskydd.



Använd skyddsglasögon



Använd dammskydd.



Bär säkerhetshandskar



Använd aldrig hackade, spruckna eller defekta slipskivor



Använd inte för att skära



Använd skydd



Metall



Gamla elektroniska produkter ska inte kastas med hushållssoporna. Återvinn där sådana faciliteter finns. Kontrollera med din lokala myndighet eller säljaren för att få återvinningstips.

**ERITYISET TURVALLISUUSÄÄNNÖT**

Hiontaan ja katkaisemiseen liittyviä yleisiä turvallisuusvaroituksia:

- Tämä sähkötyökalu on tarkoitettu toimimaan hiomatai katkaisulaiteena. Lue tarkkaavaisesti kaikki tämän työkalun kanssa toimitetut varoitukset, ohjeet ja spesifikaatiot, ja katso lisäksi kuvat. Seuraavassa esitettyjen ohjeiden laiminlyönnistä saattaa olla seurauksena onnettomuuksia kuten tulipalot, sähköiskut ja/tai vakavia kehon vammoja.
- Sähkötyökalulla ei suositella suoritettavan sellaisia toimintoja kuten hionnin, teräsharjauksen ja kiillotuksen. Tämän ohjeen laiminlyönnistä saattaa olla seurauksena onnettomuuksia ja vakavia kehon vammoja.
- Älä käytä lisälisävarusteita, joita ei ole suunniteltu juuri tälle työkalulle ja joita valmistaja ei suosittele. Vaikka lisälisävarusteen voi mahdollisesti asentaa työkaluun, tämä ei takaa, että työkalua voi käyttää täysin turvallisesti.
- Lisävarusteen nimellisenopeuden on oltava sama tai korkeampi kuin lisävarusteelle mainittu maksiminopeus. Yli nimellisenopeudella käytetyt lisävarusteet saattavat rikkoutua ja joutuvat hylätyiksi.
- Lisävarusteen ulkohalkaisijan ja paksuuden on vastattava työkalun ilmoitettuja ominaisuuksia. Ellei lisävarusteiden ominaisuudet vastaa annettuja ominaisuuksia, työkalun suoja- ja säätöjärjestelmä eivät voi toimia oikein.
- Hiomakiekkujen, laikkojen, jalaksien tai muiden lisävarusteiden on oltava täydellisesti työkalun akselin halkaisijaan sopivia. Lisävarusteet, jotka ovat sopimattomia akselille, jolle ne pitäisi asentaa, eivät pyöri kunnolla, tärisevät liikaa ja menetet työkalun hallinnan.
- Älä käytä voittuneita lisävarusteita. Tarkista ennen jokaista käyttöä, että käyttämäsi lisävaruste on hyväkuntoinen: varmista, että hiontalaikan reunat ovat ehjät eikä siinä ole halkeamia ja etteivät kengät eivät ole repeytyneet tai kuluneet, ettei metalliharjojen harjukset ole liian kuluneet tai katkeilleet. Jos sähkötyökalu tai lisävaruste putoaa, tarkista, ettei se ole vioittunut, tai vaihda lisävarusteen tilalle vioittumaton laite. Kun olet todennut lisävarusteen hyvän kunnan ja kun olet asentanut sen, pysy loitolla liikkuvasta lisävarusteesta sallien työkalun saavuttaa maksiminopeuden minuutin aikana. Jos lisävaruste on viallinen, se särkyy tämän kokeen aikana.
- Käytä henkilökohtaisia suojarusteita. Sen mukaan, mihin käytät työkalua, pidä suojanaamaria, turva- tai suojalaseja. Pidä tarvittaessa pölynsuojaamaria, kuul suojaajia, suojakäsineitä ja suojaesiliinaa kaikkia ulkoisten kappaleiden sinkoamista vastaan (hankaavat kappaleet, puun lastut jne.). Suojujalasit estävät lentäviä jätetalasia vahingoittamasta silmiä. Pölynsuojaamareilla voidaan suodattaa käytetyssä työssä syntyneet hiukkasat. Pitkäaikaisesta

alistuksesta kovalle melulle saattaa aiheutua kuulon huononeminen.

- Pidä vieraat hyvin loitolla työalueesta ja huolehdi, että heillä on suoja-lisävarusteet. Jokaisella, joka tulee työalueelle on käytettävä henkilökohtaisia suojarusteita. Työstettävistä kappaleista tai rikkoutuneesta välineestä saattaa singota palasia työalueen ulkopuolellekin aiheuttaen vakavia vammoja.
- Tartu työkaluun vain eristetystä ja liukumattomista osista kun työskentelet pinoilla, joiden takana on mahdollisesti sähköjohtoja. Jännitteisten johtojen koskettaminen voi kuljettaa virran metalliosiin ja aiheuttaa sähköiskun.
- Aseta virtajohto niin, että se on kaukana laitteen pyöriävästä osasta. Jos menetät työkalun hallinnan, virtajohto saattaa katketa tai kiertyä käteen tai käsivarsi saattaa joutua pyöriivään terään.
- Älä laske työkalua koskaan kädestäsi ennen kuin lisävaruste on kokonaan pysähtynyt. Pyörivä lisävaruste saattaa koskettaa pintaa, jolle se lasketaan ja menetät laitteen hallinnan.
- Älä käynnistä työkalua sitä kuljettaessa. Pyörivä lisävaruste saattaa takertua vaatteisiisi ja aiheuttaa vakavan vamman.
- Puhdista säännöllisesti työkalun puhallinaukot. Moottorin puhallin imee pölyä moottorin kuoren sisään, mistä saattaa johtua metallihiukkasten liiallinen kertyminen aiheuttaen sähköiskuja.
- Älä käytä laitetta syttyvien aineiden läheisyydessä. Kipinät saattavat sytyttää ne.
- Älä käytä lisävarusteita, jotka tarvitsevat jäähdytysnesteitä. Vesi tai jäähdytysnesteet voivat aiheuttaa sähköiskun tai sähköiskun.

Hiontaan ja katkaisemiseen liittyviä erityisiä turvallisuusvaroituksia:

- Käytä ainoastaan sähkötyökalulle suositeltuja laikkoja ja kyseiselle laikalle tarkoitettua suojusta. Muita kuin sähkötyökalulle tarkoitettuja laikkoja ei voi suojata asianmukaisesti, ja ne ovat vaarallisia.
- Suojan on oltava tukevasti kiinnitetty sähkötyökaluun ja sijoitettu siten, että se tekee laitteesta mahdollisimman turvallisen ja että käyttäjän puolella on mahdollisimman vähän paljasta laikkaa. Suoja suojelee käyttäjää irronneilta laikan osasilta ja estää häntä koskettamatta vahingossa laikkaa tai kipinöitä, jotka voisivat sytyttää vaatteet.
- Laikkoja saa käyttää ainoastaan niille tarkoitettuun käyttötarkoitukseen. Älä esimerkiksi hio katkaisulaikan sivulla. Katkaisulaikat on tarkoitettu käytettäväksi siten, että hionta suoritetaan niiden ulkokehällä; niihin kohdistuvat sivuttaisrasitukset voisivat murtaa ne.
- Käytä aina kunnossa olevia laikan laippoja, jotka vastaavat valitun laikan kokoa ja muotoa. Asianmukaiset laipat tukevat laikkaa ja pienentävät siten mahdollisuutta, että laikka rikkoutuu. Katkaisulaikkojen laipat voivat poiketa hiomalaikkojen laipoista.



- Älä käytä suurempien sähkötyökalujen kuluneita laikkoja. Suuremmille sähkötyökaluille tarkoitetut laikat eivät sovi pienemmän laitteen suuremmalle nopeudelle, sillä ne voivat lohjeta.

Katkaisemiseen liittyviä turvallisuuden lisävaroituksia:

- Älä "jumita" katkaisulaikkaa tai käytä liiallista painetta. Älä yritä leikata liian syväälle. Laikan ylikuormitus kasvattaa kuormaa ja mahdollisuutta, että laikka taittuu tai jumittuu leikkuu-urään ja potkaisee takaisin tai rikkoutuu.
- Älä asetu pyörivän laikan taakse, samaan linjaan sen kanssa. Kun laikka liikkuu kehosta pois päin, takapotku saattaa singota laikan ja sähkötyökalun suoraan käyttäjää kohden.
- Jos laikka tarttuu tai kun keskeytät leikkaamisen mistään syystä, sammuta sähkötyökalu ja pitele sitä paikoillaan, kunnes laikka pysähtyy. Älä koskaan yritä nostaa katkaisulaikkaa leikkuu-urasta laikan pyöriessä; muutoin laite voi potkaista takaisin. Älä yritä koskaan irrottaa laikkaa sen pyöriessä, se saattaa aiheuttaa pomppauksen.
- Älä aloita leikkausta laikan koskettaessa työkappaletta. Anna laikan saavuttaa täysi nopeus ja aseta laikka takaisin leikkuu-urään varovasti. Laikka saattaa jumittua, kulkea ylöspäin tai potkaista takaisin, jos sähkötyökalu käynnistetään laikan ollessa kosketuksissa työkappaleeseen.
- Tue paneelit ja muut suuret työkappaleet siten, että minimoit juuttumisen ja takapotkun vaaran. Suuret työkappaleet ovat taipuvaisia painumaan oman painonsa ansiosta. Tuet tulee asettaa työkappaleen alle, lähelle leikkuulinjaa, ja lähelle työkappaleen reunoja, laikan molemmille puolille.
- Ole erittäin varovainen tehdessäsi olemassa oleviin seinämiin tai muihin sokeisiin kohtiin niiden keskeltä alkavaa leikkausta. Ulos työntyvä laikka voi leikata kaasu- tai vesiputkia, sähköjohtoja tai kappaleita, jotka voivat aiheuttaa takapotkun.

Takapotku ja siihen liittyvät varoitukset

Pomppaus on äkillinen reaktio, kun liikkeessä oleva hiomalaikka, kenkä, harja tai jokin muu lisävaruste tarttuu kiinni tai vääntyy, mikä aiheuttaa lisälaitteen äkillisen jumittumisen. Edelleen käynnissä oleva työkalu linkoaa tällöin lisälaitteen liikkeensä vastakkaiseen suuntaan.

Esimerkiksi, jos hiomalaikka jumittuu tai puristuu kiinni työkappaleeseen, se laikan reunan kohta, joka koskettaa jumittumiskohtaa, voi kaivautua materiaalin pintaan, jolloin laikka kiipeää ulos tai ponnahtaa käyttäjää kohden. Pyörän voi joko hypätä kohti tai pois päin käyttäjästä riippuen suunnasta pyörän liikkeen paikassa puristimilla. Hiomalaikka saattaa myös haljeta pomppauksen seurauksena.

Sen voi välttää eräillä varotoimenpiteillä:

- Pidä tukevasti kiinni työkalusta ja pidä vartalosi ja käsivarret niin, että voit hallita mahdollisen pomppauksen. Jos työkalussa on lisäkahva, pidä aina siitä kiinni parhaan

hallinnan saamiseksi pomppauksen sattuessa tai työkalun käynnistyksessä syntyvälle reaktiivääntömomentille. Suorita tarvittavat toimenpiteet voidaksesi hallita työkalun pomppauksen tai käynnistysreaktion sattuessa.

- Älä vie koskaan kättä pyörivän lisävarusteen lähelle vakavien kehonvammojen välttämiseksi pomppauksen sattuessa. Lisälaitte voidaan takapotkun aikana kätesi.
- Älä asetu paikkaan, mihin työkalu mahdollisesti sinkoaa pomppauksen sattuessa. Työkalu sinkoaa pomppauksessa laikan pyörimissuunnan vastaiseen suuntaan.
- Ole erikoisen valpas työstäessäsi särmiä, teräviä reunoja jne. Vältä lisävarusteen luisumista tai jumittumista. Kun työskentelet särmiillä tai terävillä reunoilla tai jos työkalu pääsee luiskahtamaan, on sen jumittumisvaara suurempi. Tällöin saatat menettää työkalun hallinnan ja aiheuttaa pomppauksen.
- Älä käytä koskaan puun katkaisuterää tai puun sahausterää tällä työkalulla. Sellaisilla terillä on suurempi pomppausvaara ja työkalun hallinnan menetyks.

KÄYTTÖTARKOITUS

- Metallin hionta tai sellaisten materiaalien leikkaaminen kuten metalli tai kivi.

Huom: Käytä ainoastaan suositeltuja lisälaitteita. Ohjeet lisälaitteiden turvallisesta käytöstä tulevat lisälaitteiden kanssa.

HUOLTO

- Huollossa tulee käyttää ainoastaan identtisiä varaosia. Muunlaisten osien käyttö voi aiheuttaa vaaran tai vioittaa laitetta.
- Älä puhdista muoviosia liuottimilla. Erilaiset kaupalliset liuottimet voivat vioittaa useimpia muovityyppejä. Poista lika, pöly, öljy, rasva tms. puhtailla rievuilla.
- Käytä aina sivulta suojaavia suojaalaseja käyttäessäsi sähkötyökalua tai puhaltaessasi pölyä. Käytä lisäksi pölynaamaria, jos työ on pölyistä.
- Jotta välttyä vakavalta vammalta, irrota akku tuotteesta aina ennen puhdistusta ja huoltoa.
- Muoviosat eivät saa koskaan joutua kosketukseen jarrunesteeseen, bensiiniin, öljytuotteita, ruosteenirrotusöljyn jne. kanssa. Nämä kemialliset tuotteet sisältävät aineita, jotka voivat vaurioittaa, heikentää tai tuhota muovin minkä seurauksena voi aiheutua vakavia ruumiinvammoja.
- Ainoastaan osaluettelon osat on tarkoitettu asiakkaan korjattaviksi tai vaihdettaviksi. Kaikki muut osat tulee vaihtaa valtuutetussa huollossa.



YMPÄRISTÖNSUOJELU



Älä hävitä raaka-aineita jätteinä vaan vie ne kierrätykseen. Ympäristönsuojelun kannalta työkalu, lisävarusteet ja pakkauskäyttö on lajiteltava.

SYMBOLIT



Turvavaroitus



GOST-R-vastaavuus



CE-vastaavuus



Lue ohjeet huolellisesti ennen laitteen käynnistämistä.



Käytä kuulosuojaimia



Käytä suojalaseja



Käytä pölynaamaria.



Käytä suojakäsineitä



Älä käytä lohkeilleita, haljenneita tai viallisia hiomalaikkoja



Älä käytä leikkaamiseen



Käytä suojava



Metalli



Käytöstä poistettavia sähkölaitteita ei pidä hävittää talousjätteiden mukana. Ne on mahdollisuuksien mukaan pantava kiertoon. Kierrätysohjeita antavat kunnan viranomaiset ja vähittäiskauppiat.



SPESIELLE SIKKERHETSREGLER

Sikkerhetsvarsler med tilknytning til vanlige slipe- eller kappeoperasjoner:

- Dette elektriske verktøyet er ment brukt til slipe- eller kappeoperasjoner. Les nøye gjennom alle advarslene, instruksene og spesifikasjonene som følger med verktøyet, og se på tegningene. Hvis forskriftene nedenfor ikke overholdes, kan det forårsake ulykker som brann, elektrisk støt og/eller alvorlige personskader.
- Arbeidsoppgaver som sliping, stålborsting eller polering anbefales ikke utført med dette verktøyet. Hvis denne forskriften ikke overholdes, kan det forårsake ulykker og alvorlige personskader.
- Bruk ikke tilbehør som ikke er spesialkonstruert for dette verktøyet og som ikke er anbefalt av produsenten. Selv om et tilbehør kan monteres på et verktøy, garanterer det ikke at du kan bruke det verktøyet på en sikker måte.
- Tilbehørets nominelle hastighet skal være lik eller høyere enn maksimalhastigheten som står på verktøyet. Tilbehørene som brukes i høyere hastighet enn sin nominelle hastighet kan brytes og slynges ut.
- Tilbehørets ytre diameter og tykkelse skal svare til egenskapene som spesifiseres for verktøyet. Hvis tilbehørene ikke svarer til de angitte egenskapene, kan ikke verktøyet beskyttelses- og innstillingssystemer virke ordentlig.
- Slipeskiver, undertagsskiver, sliperondeller eller andre tilbehør skal passe nøyaktig til verktøyet spindeldiameter. Tilbehør som ikke passer til spindelens som de skal monteres på vil ikke rotere riktig, vil vibrere for mye og føre til at du mister kontroll over verktøyet.
- Bruk ikke et skadet tilbehør. Før hver bruk, skal det sjekkes at tilbehøret du bruker er i god stand: Påse at slipeskivene ikke er sprukket eller ødelagt, at sliperondellene ikke er revnet eller slitt, at busten på metallbørstene ikke er altfor slitt eller brukket. Hvis verktøyet eller tilbehøret faller, skal du kontrollere at ingenting er skadet og, om nødvendig, installere nytt tilbehør. Etter at du har kontrollert at tilbehøret er i god stand og installert det, skal du holde deg på avstand fra det bevegelige tilbehøret og la verktøyet komme opp i maksimal hastighet i ett minutt. Hvis tilbehøret er skadet, vil det brytes under denne testen.
- Bruk Personlig verneutstyr. Alt etter hva du bruker verktøyet til, skal du bruke beskyttelsesmaske, sikkerhetsbriller eller vernebriller. Bruk om nødvendig støvmaske, hørselsvern, hansker og beskyttelsesforkle for å beskytte deg mot utslynging av fremmedlegemer (slipeavfall, trespon, osv.). Vernebriller hindrer at partikler slynges ut og skader øynene dine. Støvmasker filtrerer partiklene som dannes ved arbeidsoppgaven din. Langvarig eksponering for sterkt støy kan svekke hørselen.
- Hold besøkende i god avstand fra arbeidsområdet

og påse at de har verneutstyr på seg. Alle som kommer inn i arbeidsområdet må bruke personlig verneutstyr. Små elementer fra arbeidsstykket eller et brukket tilbehør kan slynges ut utenfor arbeidsområdet og forårsake alvorlige kroppsskader.

- Hold kun i verktøyet isolerte gripedeler når du arbeider på et underlag som kan skjule elektriske ledninger. Kontakt med strømførende ledninger kan føre strøm til metalldelene og forårsake elektrisk støt.
- Posisjoner ledningen slik at det ligger unna det roterende tilbehøret. Hvis du mister kontroll over verktøyet, kan ledningen kuttes eller kile seg fast og hånden eller armen din kan da trekkes mot det roterende tilbehøret.
- Legg aldri fra deg verktøyet før tilbehøret har sluttet helt å rotere. Det roterende tilbehøret kan komme i kontakt med underlaget det står på og få deg til å miste kontroll over verktøyet.
- Ikke la verktøyet gå når du frakter det. Det roterende tilbehøret kan henge seg fast i klærne dine og skade deg alvorlig.
- Rengjør regelmessig verktøyet ventilasjonsspalter. Motorens ventilasjon får støv til å komme inn i motorhuset, noe som kan medføre altfor stor oppsamling av metallpartikler og forårsake elektrisk støt.
- Bruk ikke verktøyet i nærheten av brannfarlige produkter. Gnister kan sette fyr i dem.
- Bruk ikke tilbehør som krever kjølevæsker. Bruken av vann eller kjølevæsker kan forårsake elektrisk støt, som kan være livsfarlig.

Sikkerhetsvarsler med tilknytning til vanlige slipe- eller kappeoperasjoner:

- Bruk kun hjultyper er anbefalt for dette verktøyet og en spesifikk skjerm som er utformet for det valgte verktøyet. Hjul som verktøyet ikke er konstruert for kan ikke beskyttes i tilstrekkelig grad og vil derfor kunne være utrygge.
- Skjermen må være godt festet til verktøyet og posisjonert for maksimum sikkerhet slik at minst mulig av hjulet eksponeres mot brukeren. Skjermen bidrar til å beskytte operatøren mot fragmenter av hjulet som rives av, utilsiktet kontakt med hjulet og gnister som kan antenne klær.
- Hjul må kun benyttes til anbefalte applikasjoner. For eksempel må du ikke slipe med kanten på et kappehjul. Slipende kappeskiver er ment for periferisliping, når disse hjulene utsettes for sidekrefter kan det oppstå splintring.
- Bruk alltid ubeskadigede hjullflenser som har korrekt størrelse og form for det valgte hjulet. Korrekt hjullflens støtter hjulet og reduserer dermed muligheten for at hjulet skal brytes. Flenser for kappehjul kan skille seg fra flenser for slipehjul.
- Ikke bruk nedslitte hjul fra større elektrisk verktøy. Hjul som er ment for større verktøy egner seg ikke for de små verktøyenes høyere hastighet og kan gå i



opløsning.

Ytterligere sikkerhetsadvarsler spesielt for kappoperasjoner med slipeskiver:

- **Ikke blokker kappehjulet eller legg overdrevent trykk på verktøyet. Ikke gjør forsøk på å utføre et ekstremt dypt kutt.** Kraftig trykk mot hjulet øker belastningen og mulighet for at hjulet bendes eller blokkeres i kappesporet med tilhørende fare for tilbakeslag eller at kappehjulet brekker.
- **Ikke plasser kroppen din på linje med og bak det roterende hjulet.** Når hjulet og arbeidspunktet beveger seg vekk fra kroppen din vil et mulig tilbakeslag kunne drive det roterende hjulet og verktøyet direkte mot deg.
- **Når kappehjulet blokkeres eller når arbeidet med et kapp av en eller annen grunn avbrytes, slå av verktøyet og hold det helt i ro inntil kappehjulet har stanset helt. Gjør aldri forsøk på å ta kappehjulet ut av sporet mens det fortsatt er i bevegelse, i så fall kan du oppleve tilbakeslag.** Hvis skiven står fast, må du forsøke å finne årsaken og ta nødvendige foranstaltninger for at det ikke gjentar seg.
- **Ikke start kappingen på nytt mens kappehjulet fortsatt står i arbeidsstykket. La hjulet nå maksimal hastighet før du forsiktig setter det tilbake i sporet som er kappet.** Hjulet kan blokkeres, kripe ut eller slå tilbake dersom verktøyet startes mens kappehjulet står i arbeidsstykket.
- **Støtt opp plater og store arbeidsstykker for å redusere faren for at kappehjulet kommer i bекnig, med tilhørende fare for tilbakeslag.** Store plater har en tendens til å sige under sin egen vekt. Støttene må legges under begge sider av platen, nær sporet som skal skjæres og nær kanten av platen.
- **Vær ekstra forsiktrig når du foretar et "lommekutt" inn i en eksisterende vegg eller annet blindt område.** Det utstående hjulet kan kappe gass- og vannrør, elektriske ledninger og objekter som kan føre til tilbakeslag.

Tilbakeslag og relaterte advarsler

Tilbakeslag er en plutselig reaksjon som oppstår når den bevegende slipeskiven, sliperondellen, børsten eller et annet tilbehør klemmes fast eller vrir, noe som raskt får tilbehøret til å låses fast. Verktøyet blir da slynget ut i motsatt retning til tilbehørets bruksretning.

Hvis for eksempel en slipeskive klemmes eller vrir i arbeidsstykket, vil skivens skarpe del trenge inn i arbeidsstykkets overflate, noe som vil få skiven til å klatre ut eller slå tilbake. Hjulet kan enten hoppe mot eller bort fra operatøren, avhengig av retning hjulet beveges på punktet av knipe. I tilfelle tilbakeslag, kan slipeskiven også brekkes.

Det kan unngås ved å ta visse forholdsregler:

- **Hold godt i verktøyet og still kroppen og armen din slik at du kan kontrollere et eventuelt tilbakeslag.** Hvis verktøyet har et støttehåndtak, skal du alltid holde i det så du får optimal kontroll over verktøyet i tilfelle tilbakeslag eller reaksjonskraft når verktøyet startes. Ta nødvendige foranstaltninger så

du kan kontrollere verktøyet ditt i tilfelle tilbakeslag eller reaksjonskraft.

- **Legg aldri hånden din i nærheten av det roterende tilbehøret for å unngå all fare for kroppsskader i tilfelle tilbakeslag.** Tilbehøret kan kast over hånden din.
- **Ikke still deg i området der verktøyet kan risikere å slynges ut i i tilfelle tilbakeslag.** I tilfelle tilbakeslag slynges verktøyet ut i motsatt retning til skivens rotasjonsretning.
- **Vær spesielt forsiktig når du arbeider på hjørner, skarpe kanter, osv. Unngå at tilbehøret glir eller kiles fast.** Når du arbeider på hjørner eller skarpe kanter eller når verktøyet glir, er det større fare for at tilbehøret låses fast, og dermed at du mister kontroll over verktøyet og at det oppstår tilbakeslag.
- **Bruk aldri blad til kjedesag eller sagblad sammen med dette verktøyet.** De kan øke faren for tilbakeslag og tap av kontroll over verktøyet.

TILTENKT BRUK

- Sliping av metall eller kapping av materialer som metall eller stein.

Nb: Bruk bare anbefalt tilbehør. Instruksjoner for trygg bruk tilbehøret følger med tilbehøret.

VEDLIKEHOLD

- Når vedlikehold utføres, må kun identiske reservedeler brukes. Bruk av andre deler kan skape fare eller føre til skade på produktet.
- Unngå bruk av løsemidler når du rengjør plastdelene. De fleste plasttyper er sårbare for forskjellige typer løsemidler i handelen og kan skades dersom de brukes. Bruk rene kluter til å fjerne skitt, støv, olje og fett osv.
- Bruk alltid vernebriller med sidebeskyttelse når du jobber med maskinen eller blåser støv. Hvis arbeidet utløser støv, bruk også en støvmaske.
- For å unngå alvorlig personskaade, fjern alltid batteriene fra produktet når du rengjør verktøyet eller utfører vedlikehold.
- Plastdeler må aldri komme i kontakt med bremsevæske, bensin, petroleumsholdige produkter, penetrerende oljer, osv. Slike kjemiske produkter inneholder stoffer som kan skade, svekke eller ødelegge platen, noe som kan medføre alvorlige kroppsskader.
- Det er kun de delene som står på delelisten som kunden kan reparere eller skifte ut. Alle andre deler bør skiftes ut på et autorisert servicesenter.

**MILJØVERN**

Resirkuler råmaterialer istedenfor å kaste dem i søppelen. Verktøyet, tilbehørene og emballasjen bør sorteres for miljøvennlig resirkulering.

SYMBOLER

Sikkerhetsalarm



GOST-R samsvar



CE samsvar



Vennligst les instruksjonene nøye før du starter maskinen.



Bruk hørselsvern



Bruk øyeskyttelse



Bruk støvmaske.



Bruk sikkerhetshansker



Ikke bruk sprukne eller på annen måte skadede slipehjul



Ikke bruk for kapping



Bruk en skjerm



Metall



Avfall fra elektriske produkter skal ikke kastes sammen med husholdningsavfall. Vennligst resirkulervedeksisterende avfallsbehandlingssted. Undersøk hos dine lokale myndigheter eller forhandler for råd om resirkulering.



ОСОБЫЕ ПРАВИЛА БЕЗОПАСНОСТИ

Техника безопасности при операциях шлифования и абразивной отрезке:

- Данный инструмент предназначен для операций шлифования или отрезки. Прочтите все указания, инструкции, иллюстрации и спецификации, поставляемый с этим электроинструментом. Несоблюдение всех инструкций, указанных ниже, может привести к поражению электрическим током, пожару и / или серьезным травмам.
- Не рекомендуется с помощью данного инструмента выполнять операции по шлифованию шкуркой, очистке проволочной щеткой и полировке. Операции, для которых программа не рассчитана может создавать опасность и привести к травме.
- Не используйте аксессуары, которые не являются специально разработаны и рекомендованы производителем инструмента. Просто потому, что аксессуар может быть подключен к вашей власти инструмент, он не обеспечивает безопасную эксплуатацию.
- Номинальная скорость аксессуар должен быть по меньшей мере равную максимальной скорости отмечается электроинструмента. Аксессуары работает быстрее, чем их номинальная скорость может привести к поломке и развалится.
- Наружный диаметр и толщина ваших аксессуаров должна быть в пределах возможностей рейтинг вашего электроинструмента. Неправильно размера принадлежности не может быть адекватно охраняется или контролируется.
- Беседка размер колес, фланцы, бэк-прокладками или любой другой принадлежности должны надлежащим образом соответствовать шпindelю электроинструмента. Аксессуары с беседкой отверстия, которые не совпадают с крепежом из электроинструмент бежать из состояния равновесия, вибрирует чрезмерно и может привести к потере управления.
- Не используйте поврежденный аксессуар. Перед каждым использованием проверяйте рабочее состояние аксессуара, которым собираетесь работать: проверьте, чтобы абразивные диски не были треснутыми или разбитыми, чтобы полшвы не были порваны или изношены, чтобы волоски металлических щеток не были сильно изношены или сломаны. Если инструмент или аксессуар упал, проверьте его на предмет повреждений или установите неповрежденные аксессуары. После осмотра и установки устройства, позиционировать себя и окружающих от плоскости вращающегося принадлежности и запуска инструмента при максимальной скорости без нагрузки в течение одной минуты. Поврежденные аксессуары, как правило, развалится в течение этого времени испытания.
- Используйте средства индивидуальной защиты. В зависимости от приложения, используйте маску, защитные очки или защитные очки. В случае необходимости надевайте маску от пыли, защитными наушниками, перчатки и фартук семинар, способных остановить малых абразивные или заготовки фрагментов. Для защиты глаз должны быть в состоянии остановить полеты мусора в различных операций. Респиратор или противогаз должен быть способен фильтрации частиц, созданных на операции. Длительное воздействие высокой интенсивности шума может привести к потере слуха.
- Держите прохожих на безопасном расстоянии от рабочей области. Лица, которые прибывают области работы должны носить средства индивидуальной защиты. Фрагменты заготовки или сломанный инструмент может улететь и стать причиной травм вне непосредственной близости от места работы.
- При работе в поверхностях, за которыми могут быть спрятаны электрические провода, держите инструмент только за изолированные несольязящие части. В результате контакта пыльного диска с проводом, находящимся под напряжением, металлические части инструмента также могут оказаться под напряжением, что приведет к поражению работающего электрическим током.
- Позиция шнур подальше от вращающегося устройства. Если вы потеряете контроль, мозг может сократить или зацепил и рукой или рукой может быть втянута в прядильных аксессуар.
- Никогда не лежал электрический инструмент, пока аксессуар пришла к полной остановке. Прядильных инструмент может захватить поверхность и вытащить из розетки вне вашего контроля.
- Не запускайте электроинструмента при проведении его на вашей стороне. Случайный контакт с прядильных аксессуар может загвоздка одежду, потянув за принадлежность в ваше тело.
- Регулярно очищайте воздушные силы инструмента отверстия. Вентилятор двигателя будет опираться пыли внутри корпуса и чрезмерное накопление сухого металла может привести к опасности поражения электрическим током.
- Не работайте с электроинструментом вблизи легковоспламеняющихся материалов. Искры могут воспламенить эти материалы.
- Не используйте аксессуары, которые требуют жидких хладагентов. Использование воды или других жидких хладагентов может привести к поражению электрическим током или удара.

Специальные указания по ехнике безопасности при операциях шлифования и абразивной отрезке:

- Рекомендуется использование кругов, предназначенных для вашего инструмента, а



также защитных экранов соответствующего размера. Режущие диски, не предназначенные для использования с данным инструментом, нельзя должным образом защитить, и они могут представлять опасность.

- Экран должен быть надежно прикреплен к инструменту и расположен так, чтобы обеспечить наибольшую безопасность - чтобы оператору была открыта наименьшая часть круга. Защитный экран предназначен для защиты оператора от вылетающих фрагментов диска и случайного контакта с рабочей поверхностью и от искр, от которых может загореться одежда.
- Круги должны использоваться только для рекомендуемого применения. Например, не допускается шлифование боковыми поверхностями отрезного круга. Абразивные отрезные круги предназначены для работы периферией круга, боковые силы, возникающие при такой работе, могут привести к обламыванию краев.
- Не допускается использование кругов с поврежденной рубашкой, всегда используйте круги, подходящие по размеру и форме. Соответствующие рубашки дисков поддерживают диски, препятствуя их разрушению. Рубашки отрезных кругов могут отличаться от рубашек шлифовальных кругов.
- Не допускается использование изношенных кругов от более мощных и крупных устройств. Круги, предназначенные для использования с более мощным инструментом, не подходят для более высоких скоростей малых инструментов и могут при работе разрушиться.

Дополнительные предупреждения по технике безопасности при операциях по абразивной отрезке:

- Не зажимайте отрезной диск и не прилагайте чрезмерных усилий. Не делайте разрезы чрезмерной глубины. Перенапряжение режущего диска увеличивает нагрузку и подвергает его скручиванию или заземлению диска в разрезе, что может привести к отскоку или повреждению диска.
- Не стойте по линии резания или позади вращающегося диска. Когда режущий диск при работе перемещается от вашего тела, возможный отскок может отбросить вращающийся диск может и инструмент прямо на вас.
- При заклинивании отрезного круга или прекращении резания, по какой-либо причине, выключите электроинструмент и дождитесь полной остановки вращения отрезного круга. Никогда не пытайтесь вынимать отрезной круг из разреза на ходу, так как может произойти отскок. Расследовать и принять меры по исправлению положения, чтобы устранить причину колеса обязательным.
- Не возобновляйте резание, если круг находится в заготовке. Дождитесь, пока диск

не наберет полную скорость, и осторожно вводите круг в обрабатываемую деталь. Если электроинструмент повторно запускается, когда отрезной круг находится в заготовке, то круг может заклинить, податься на оператора или отскочить.

- Поддерживайте панели и любые крупногабаритные заготовки, чтобы уменьшить опасность заклинивания круга и отскока. Большие заготовки могут прогибаться под собственным весом. Опоры следует размещать под панелью, рядом с линией пропила и ближе к краю панели с обеих сторон круга.
- Соблюдайте предельную осторожность при выполнении врезок в существующие стены или другие глухие зоны. Рельефный круг можно использовать для отрезания газовых и водопроводных труб, электрических проводов или предметов, могущих вызвать отскок.

Меры предосторожности, связанные с отскоком инструмента

Отдача является внезапная реакция пережат или зацепил вращающееся колесо, бэк-панели, кистью или любой другой принадлежности. Щемящие или непредусмотренные причины быстрого срыва вращающегося принадлежности, которые в свою очередь вызывает неконтролируемый инструмент власти будут вынуждены в сторону, противоположную от аксессуара в поворот в точке силы.

Например, заклинивание отрезного круга в заготовке и зажим кромок круга в зоне заземления, может привести к резкому отскоку инструмента. Колесо может либо переходить к наблюдателю или от оператора, в зависимости от направления движения колеса в точке заземления. Абразивные круги могут сломать и в этих условиях.

Отдача является результатом злоупотребления властью инструмента и/или неправильный оперативных процедур или условий, и ее можно избежать путем принятия надлежащих мер предосторожности, которые приводятся ниже.

- Поддержание крепко электроинструмент и положение тела и рук, чтобы вас не поддаваться отдачи сил. Всегда используйте дополнительную ручку, если это предусмотрено для максимального контроля над отдачей или крутящего момента реакции во время запуска. Оператор может контролировать крутящий момент реакции или отдачи сил, если соответствующие меры предосторожности приняты.
- Никогда не кладите руки вблизи вращающегося устройства. Аксессуары могут откат за руку.
- Не размещайте тела в районе, где власти инструмент будет двигаться, если откат происходит. Отдача будет двигать этот инструмент в направлении, противоположном движению колеса в точке зацепления.
- Использование специальных осторожны при работе с углов, острых краев т.д. Избегайте



подпрыгивая и непредусмотренные аксессуары. Уголки, острых кромок или подпрыгивая имеют тенденцию к топливк вращающиеся принадлежности и привести к потере контроля и отдачи

- **Не подключайте цепи пилы дереву лезвия или зубчатой пилы.** Такие лопасти создают частые отдачи и потери контроля.

НАЗНАЧЕНИЕ

- Шлифование металла или обрезка таких материалов, как металл или камень.

Примечание: Пользуйтесь только рекомендуемыми приспособлениями. Инструкции о безопасном использовании прилагаются к принадлежностям.

ТЕХНИЧЕСКОЕ ОБСЛУЖИВАНИЕ

- При проведении текущего ремонта используйте только идентичные запчасти. Использование других запчастей может представлять опасность или повредить изделия.
- Избегайте использования растворителей во время чистки пластмассовых частей. Многие пластмассы под воздействием различных бытовых растворителей повреждаются и могут разрушиться. Для снятия грязи, масла, жира, пыли и т.д. пользуйтесь чистой тряпкой.
- При работе с электрическим устройством или сдувании пыли всегда надевайте предохранительные или защитные очки с боковыми защитными экранами. Если во время работы образуется много пыли, также надевайте пылезащитную маску.
- Во избежание тяжелой травмы всегда вынимайте аккумуляторную батарею из устройства при его очистке или проведении технического обслуживания.
- Пластмассовые детали нельзя чистить тормозной жидкостью, бензином, нефтепродуктами, едкими маслами и т.д. Эти химикаты содержат вещества, которые могут испортить, ослабить или разрушить пластмассу. Это ведет к тяжелым травмам.
- Покупатель может самостоятельно ремонтировать и заменять только детали, указанные в спецификации. Замена всех остальных деталей должна производиться в авторизованном сервисном центре.

ЗАЩИТА ОКРУЖАЮЩЕЙ СРЕДЫ



Утилизируйте как сырье, а не выбрасывайте как мусор. Машина, аксессуары и упаковка должны быть отсортированы.

УСЛОВНЫЕ ОБОЗНАЧЕНИЯ



Внимание



Соответствие требованиям GOST-R



Соответствие требованиям CE



Перед использованием прибора внимательно ознакомьтесь с данной инструкцией.



Применяйте средства защиты органов слуха



Применяйте средства защиты органов зрения



Надевайте пылезащитную маску.



Надевайте защитные перчатки



Не используйте бракованные шлифовальные диски или диски со сколами или трещинами



Не используйте для резания



Используйте защитное приспособление



Металл



Отработанная электротехническая продукция должна уничтожаться вместе с бытовыми отходами. Утилизируйте, если имеется специальное техническое оборудование. По вопросам утилизации проконсультируйтесь с местным органом власти или предприятием розничной торговли.



SPECJALNE ZASADY BEZPIECZEŃSTWA

Ogólne ostrzeżenia w zakresie bezpieczeństwa dotyczące szlifowania i cięcia:

- To elektronarzędzie jest przeznaczone do szlifowania lub cięcia. Prosimy o uważne zapoznanie się z ostrzeżeniami, instrukcjami i specyfikacjami dostarczonymi z tym narzędziem oraz z zawartymi w nich ilustracjami. Nie przestrzeganie przedstawionych niżej zaleceń mogłoby pociągnąć za sobą wypadki takie jak pożary, porażenia prądem elektrycznym i /lub poważne obrażenia ciała.
- Nie zaleca się używać tego narzędzia do czynności takich jak szlifowanie papierem ściernym, szcztokowanie lub polerowanie. Nie zastosowanie się do tego wymogu może spowodować wypadki lub też ciężkie obrażenia ciała.
- Nie należy używać akcesoriów, które nie zostały zaprojektowane specjalnie do tego urządzenia i które nie są zalecane przez producenta. Nawet jeżeli da się zamontować jakąś przystawkę na narzędziu, nie oznacza to, że można bezpiecznie używać narzędzia z tą przystawką.
- Prędkość znamionowa przystawki powinna być równa lub większa od prędkości maksymalnej oznaczonej na narzędziu. Przystawki (akcesoria) funkcjonujące przy prędkości większej od ich prędkości znamionowej, mogą się połamać i zostać odrzucone.
- Średnica zewnętrzna i grubość akcesoria powinny odpowiadać charakterystyce podanej dla narzędzia. Jeżeli akcesoria nie są zgodne z podaną charakterystyką, systemy zabezpieczenia i ustawiania narzędzia nie będą należycie funkcjonowały.
- Ściernice, kołnierze oporowe, płyty oporowe czy inne akcesoria powinny być doskonale dostosowane do otworu mocującego wrzeczona. Akcesoria nie dostosowane do wrzeczona, na którym mają być zamontowane nie będą się należycie obracały, będą nadmiernie wibrowały i mogą spowodować utratę kontroli nad narzędziem.
- Nie należy używać uszkodzonych akcesoriów. Przed każdym użyciem należy sprawdzić czy narzędzie jest w dobrym stanie: upewnijcie się, że tarcze ściernie nie są wyszczerbione lub pęknięte, że płyty szlifierskie nie są rozzerwane lub zużyte, że druty szcztok metalowych nie są zbyt zużyte czy połamane. W przypadku upuszczenia elektronarzędzia lub przystawki, sprawdź, czy nie są one uszkodzone, w razie potrzeby wymień przystawkę. Po sprawdzeniu, że przystawka jest w dobrym stanie i po jej zainstalowaniu, należy pozostać na dystans od ruchomych przystawek i poczekać przez minutę, aż narzędzie osiągnie maksymalną prędkość. Jeżeli przystawka jest uszkodzona, połamie się ona podczas tego testu.
- Stosować środki ochrony osobistej. W zależności od tego do czego używacie wasze narzędzie, załóżcie maskę zabezpieczającą, lub okulary zabezpieczające. W razie potrzeby, załóżcie

maskę przeciwpyłową, ochronniki słuchu, rękawice i fartuch ochronny, które zabezpieczają przed odrzutem ciał obcych (opiłki, wióry, itd.). Okulary ochronne umożliwiają uniknąć skaleczenia oczu spowodowanego odrzutem odpadów. Maski przeciwpyłowe służą do filtrowania mikroskopijnych cząsteczek wydzielających się podczas wykonywanych prac. Wystawienie na wysoki poziom hałasu, może spowodować utratę słuchu.

- Wszystkie osoby wizytujące powinny nosić wyposażenie ochronne i zostawać w odpowiedniej odległości od strefy roboczej. Każdy, kto wchodzi do strefy roboczej musi nosić sprzęt ochrony osobistej. Elementy połamanego przedmiotu do obróbki czy akcesoria, mogą być odrzucone poza zakres strefy roboczej i spowodować poważne obrażenia cieleśne.
- Kiedy pracujecie na powierzchni mogącej ukrywać przewody elektryczne, trzymajcie narzędzie wyłącznie za izolowane i nieślizgające się części. Kontakt z przewodami pod napięciem mógłby doprowadzić prąd do części metalowych i spowodować porażenie prądem elektrycznym.
- Należy umieścić przewód zasilający w taki sposób, by nie stykał się z obracającymi się akcesoriami. W przypadku utraty kontroli nad narzędziem, może dojść do przecięcia lub pochwytnięcia przewodu zasilającego i wciągnięcia dłoni czy ramienia do obracającego się akcesoria.
- Nie odkładajcie narzędzia zanim przystawka nie będzie zupełnie zatrzymana. Obracająca się przystawka mogłaby się zetknąć z powierzchnią, na którą ją położono i doprowadzić do utraty kontroli nad narzędziem.
- Nie należy używać narzędzia podczas transportu. Obracająca się przystawka mogłaby zostać pochwytna przez ubrania i doprowadzić do poważnego zranienia.
- Należy regularnie czyścić szczeliny wentylacyjne narzędzia. Wentylacja silnika wprowadza kurz do wewnątrz budowy silnika, co może być przyczyną nadmiernego nagromadzenia cząsteczek stalowych i spowodować porażenie prądem elektrycznym.
- Nigdy nie używajcie waszego narzędzia w pobliżu produktów łatwopalnych. Iskry mogłyby spowodować podpalenie narzędzia.
- Nie używajcie akcesoriów wymagających płynów chłodzących. Używanie wody czy płynów chłodzących może spowodować porażenie prądem elektrycznym, nawet śmiertelne.

Specjalne ostrzeżenia w zakresie bezpieczeństwa dotyczące szlifowania i cięcia:

- Stosować wyłącznie tarcze przeznaczone do tego narzędzia i osłonę bezpieczeństwa przeznaczoną do wybranej tarczy. Tarcze, które nie zostały przeznaczone do współpracy z tym elektronarzędziem nie mogą być odpowiednio osłonięte i są niebezpieczne.
- Osłona musi być w bezpieczny sposób przymocowana do elektronarzędzia i ustawiona



tak, aby zapewnić maksymalne bezpieczeństwo; tarcza powinna być jak w najmniejszym stopniu odsłonięta w stronę operatora. Osłona tarczy chroni operatora przed ewentualnymi odłamkami tarczy i w przypadkowym kontakcie z obracającą się tarczą oraz iskrami, które mogą podpalić ubranie.

- **Tarczy należy używać wyłącznie do zalecanych zastosowań. Przykładowo, nie należy szlifować boczną powierzchnią tarczy tnącej.** Tarcze przeznaczone do szlifowania obwodowego; siły boczne oddziałujące na tarcze mogą spowodować ich zniszczenie.
- **Należy stosować kołnierze tarcz w dobrym stanie technicznym, o właściwym rozmiarze i kształcie dopasowanym do wybranej tarczy.** Odpowiedni kołnierz tarczy podpira ją, zmniejszając ryzyko pęknięcia tarczy. Kołnierze do tarcz tnących mogą być inne niż kołnierze do tarcz ściernych.
- **Nie używać zużytych tarcz z większych elektronarzędzi.** Tarcze przeznaczone do większych elektronarzędzi nie nadają się do współpracy z mniejszym elektronarzędziem pracującym z wyższą prędkością i mogą ulec pęknięciu.

Dodatkowe ostrzeżenia w zakresie bezpieczeństwa dotyczące cięcia:

- **Nie blokować tarczy tnącej i nie dociskać za mocno. Nie próbować ciąć materiału zbyt głęboko.** Nadmierne dociskanie tarczy zwiększa obciążenie i ryzyko skręcenia lub zakleszczenia tarczy w ciętym materiale, co może spowodować szarpnięcie lub pęknięcie tarczy.
- **Ciało nie może znajdować się w jednej linii z obracającą się tarczą ani za tarczą.** Gdy tarcza podczas pracy porusza się w kierunku przeciwnym do ciała operatora, to w chwili odskoczenia siła odrzutu może spowodować przesunięcie narzędzia w stronę operatora.
- **Jeśli tarcza zablokuje się lub jeśli cięcie zostanie przerwane z innego powodu, należy odłączyć elektronarzędzie od źródła zasilania i przytrzymać elektronarzędzie, aż do chwili całkowitego zatrzymania. Nie wolno usiłować zdejmować tarczy tnącej, gdy tarcza się obraca, ponieważ może dojść do odrzutu lub odskoczenia urządzenia. Kiedy tarcza się zaklinuje, szukajcie przyczyny i podejmijcie środki zapobiegawcze, by to się już nie powtórzyło.**
- **Nie wznawiać cięcia, gdy urządzenie styka się z ciętym materiałem. Należy poczekać aż tarcza nabierze pełnej prędkości i ostrożnie przyłożyć tarczę do szczeliny cięcia.** Tarcza może zaklinować się, wykonać gwałtowny ruch lub odskoczyć, jeśli elektronarzędzie zostanie uruchomione w chwili kontaktu z obiektem.
- **Podeprzeć panele lub inne cięższe obrabiane obiekty, aby ograniczyć ryzyko zakleszczenia tarczy i odrzutu.** Duże obiekty mogą załamać się/ugiąć pod własnym ciężarem. Podpory muszą być umieszczone pod obrabianym materiałem blisko linii cięcia i blisko

krawędzi materiału, po obu stronach tarczy.

- **Należy zachować szczególną ostrożność w przypadku wykonywania cięcia kieszeniowego w istniejących ścianach lub innych strukturach nieprzelotowych.** Wystająca tarcza może przeciąć przewody instalacji gazowej lub wodnej, przewody elektryczne lub obiekty, które mogą spowodować odrzut.

Zjawisko odbicia i związane z nim ostrzeżenia

Odbicie (odrzut) jest nagłą reakcją, występującą podczas ruchu ściernicy kiedy dochodzi do pochwycenia czy wygięcia płyty szlifierskiej, szczotki czy innego akcesoria, powodującego szybkie zablokowanie akcesoria. Narzędzie dalej działa, powodując odrzut w kierunku odwrotnym do kierunku użytkowania akcesoria.

Np. przytarta lub zakleszczona tarcza ścierna, której krawędź zagłębiona w szczelinie na skutek ruchu obrotowego próbuje wydostać się z zakleszczenia może odskoczyć od obrabianego przedmiotu, powodując gwałtowny odrzut elektronarzędzia. Ściernica może odskoczyć w kierunku lub z dala od operatora, w zależności od kierunku ruchu koła w punkcie zakleszczenia. W przypadku odbicia, tarcza ścierna może również się polamać.

Można go uniknąć podejmując środki ostrożności.

- **Trzymajcie mocno narzędzie dwoma rękami i ustawcie ciało i ramię tak, by móc skontrolować ewentualne odbicie. Posługujcie się uchwytem pomocniczym, jeżeli jest na wyposażeniu waszego narzędzia; zapewni to optymalną kontrolę w przypadku odbicia czy sprzężenia zwrotnego podczas uruchamiania narzędzia. Należy podjąć odpowiednie środki, by móc panować nad narzędziem w przypadku odbicia czy sprzężenia zwrotnego.**
- **Nie należy umieszczać ręki w pobliżu obracającego się akcesoria, celem uniknięcia poważnych obrażeń ciała w przypadku odrzutu. Akcesoria mogą odrzucić rękę.**
- **Nie należy znajdować się w strefie, do której mogłoby zostać odrzucone narzędzie w przypadku odbicia. W przypadku odbicia, narzędzie odrzucone jest w kierunku odwrotnym do kierunku obrotów tarczy.**
- **Należy zwracać szczególną uwagę przy obrabianiu kątów, ostrych krawędzi, itd. Unikajcie wpadnięcia w poślizg lub pochwycenia akcesoria. Przy obrabianiu kątów, ostrych krawędzi, czy wpadnięciu w poślizg narzędzia, zachodzi większe ryzyko zablokowania akcesoria, co może doprowadzić do utraty panowania nad narzędziem i odrzutu.**
- **Nie należy używać z tym narzędziem tarczy przecinarki do drewna czy tarczy piły. Mogłoby to spowodować ryzyko odrzutu i utratę kontroli nad narzędziem.**

PRZEZNACZENIE

- Szlifowanie metalu lub cięcie materiałów takich jak metal czy kamień.



Uwaga: Stosować wyłącznie akcesoria zalecane przez producenta. Instrukcje bezpiecznej obsługi akcesoriów są dołączone do tych akcesoriów.

KONSERWACJA

- Do napraw używać wyłącznie identycznych zamienników. Użycie jakiegokolwiek innej części mogłoby spowodować zagrożenie lub też uszkodzić nasze narzędzie.
- Nie stosować rozpuszczalników do czyszczenia elementów plastikowych. Większość plastików jest wrażliwa na rozmaite rozpuszczalniki dostępne w handlu i może ulec uszkodzeniu przez ich stosowanie. Używajcie czystej szmatki do usunięcia zabrudzeń, pyłu, oleju, smaru, itd.
- Podczas użytkowania elektronarzędzi lub wydmuchiwania pyłu należy koniecznie zakładać gogle lub okulary ochronne. Jeśli wykonywanej pracy towarzyszy powstawanie pyłu, należy również stosować maskę przeciwpyłową.
- Aby uniknąć poważnego zranienia, przed przystąpieniem do czyszczenia lub konserwacji należy wyjąć z urządzenia akumulator.
- Elementy plastikowe nigdy nie powinny być w kontakcie z płynem hamulcowym, benzyną, czy produktami na bazie ropy naftowej, przenikliwymi olejami itd. Te produkty chemiczne zawierają substancje, które mogłyby uszkodzić, osłabić lub zniszczyć plastik, co mogłoby spowodować poważne zranienie.
- Wyłącznie podzespoły zamieszczone na liście części zamiennych mogą być wymieniane lub naprawiane przez klienta. Wszystkie inne podzespoły powinny być naprawiane wyłącznie w autoryzowanym punkcie serwisowym.



Przed uruchomieniem urządzenia prosimy uważnie przeczytać instrukcję



Stosować środki ochrony słuchu



Stosować środki ochrony wzroku



Noś maskę przeciwpyłową.



Zakładać rękawice ochronne



Nie należy używać tarczy szlifierskiej, która jest wyszczerbiona, pęknięta (zarysowana) lub w inny sposób uszkodzona



Nie należy stosować do cięcia



Należy korzystać z osłony



Metal



Zużyte produkty elektryczne nie powinny być utylizowane z odpadami domowymi. Prosimy poddawać recyklingowi w odpowiednich miejscach. Informacje o właściwych metodach recyklingu można uzyskać u władz lokalnych lub sprzedawcy.

OCHRONA ŚRODOWISKA



Surowce należy oddawać do powtórnego przetworzenia zamiast wyrzucać je na śmieci. Z myślą o ochronie środowiska, narzędzie, akcesoria i opakowania powinny być sortowane.

SYMBOLE



Alarm bezpieczeństwa



Zgodność GOST-R



Zgodność CE

**ZVLÁŠTNÍ BEZPEČNOSTNÍ PŘEDPISY**

Bezpečnostní varování pro činnosti s řezným a brusným kotoučem:

- Tento elektrický nástroj je určen k funkci brusky nebo řezání. Přečtete si pozorně upozornění, pokyny a technické specifikace dodané s nářadím a prohlédněte si ilustrace. Nedodržení uvedených pokynů může způsobit požár, úraz elektrickým proudem a/nebo jiné vážné zranění.
- Činnosti jako broušení, kartáčování nebo leštění nejsou doporučeny s tímto elektrickým nástrojem. Nedodržení tohoto pokynu může způsobit vážné zranění či materiální škody.
- **Nepoužívejte příslušenství, které není vyrobeno pro tento nástroj a které není doporučeno výrobcem.** I když lze příslušenství jiných výrobců nasadit na nářadí, neznamená to, že je jeho používání bezpečné.
- **Jmenovitá rychlost příslušenství musí být stejná nebo vyšší než je maximální rychlost uvedená na nářadí.** Příslušenství, které pracuje vyšší rychlostí, než je jeho jmenovitá rychlost, se může rozlomit a vymrštit z nářadí.
- **Vnější průměr a tloušťka příslušenství musí odpovídat technickým údajům pro dané nářadí.** Pokud příslušenství neodpovídá technickým údajům, ochranný systém nebude pracovat správně a nářadí nebude dobře seřízené.
- **Brusné kotouče, příruby, brusné desky a ostatní příslušenství musí být voleno v souladu s velikostí upínacího otvoru vřetena.** Příslušenství, které nelze dobře nasadit na hřídel, se nebude správně otáčet, bude nadměrně kmitat a může vést ke ztrátě kontroly nad nářadím.
- **Nepoužívejte poškozené příslušenství.** Po každém použití nářadí zkontrolujte, zda je příslušenství, které jste používali, v dobrém stavu: ujistěte se, že brusné kotouče nejsou tupé nebo prasklé, brusné desky opotřebované nebo roztržené a že hroty kovových kartáčů nejsou tupé nebo zlomené. V případě pádu nářadí nebo příslušenství zkontrolujte, zda žádný prvek nářadí nebyl poškozen a v případě nutnosti, použijte nové příslušenství. Po provedení kontroly stavu příslušenství a po jeho nasazení na nářadí se postavte do bezpečné vzdálenosti a počkejte, dokud nářadí nedosáhne své maximální rychlosti. Nechte nářadí běžet na maximální otáčky zhruba po dobu jedné minuty. Pokud je příslušenství poškozené, během této zkoušky dojde k jeho rozbití.
- **Používejte osobní ochranné pomůcky.** V závislosti na používání nářadí, noste bezpečnostní nebo uzavřené ochranné brýle, nebo ochranné brýle s bočními kryty. V případě potřeby používejte protiprašný respirátor, sluchovou ochranu, ochranné rukavice a ochrannou zástěru s laclem, abyste se chránili před odlétajícími kousky obráběného materiálu (kovový prach a piliny, třísky apod.). Ochranné brýle chrání před vniknutím cizích těles do očí, které může způsobit zranění. Protiprašný

respirátor filtruje částice prachu vytvářející se při práci. Dlouhodobá expozice vysokému hluku může způsobit poškození sluchu.

- **Dbejte, aby se přihlížející osoby zdržovaly v dostatečné vzdálenosti a aby byly vybaveny osobními ochrannými prostředky.** Všechny osoby vstupující na pracoviště musí používat osobní ochranné prostředky. Úlomky obráběného materiálu nebo rozlomené příslušenství může být vymrštno i mimo pracovní zónu a způsobit vážný úraz.
 - **Při práci v místech, kudy mohou vést elektrické kabely je nutné držet horní frézku pouze za izolované části.** Při náhodném kontaktu s vodiči pod napětím jsou pod proudem i kovové části nářadí (vzhledem k elektrické vodivosti) a můžete dostat elektrickou ránu.
 - **Napájecí kabel ved'te tak, aby byl v bezpečné vzdálenosti od otáčejícího se příslušenství.** V případě ztráty kontroly nad nářadím by mohlo dojít k přerážnutí elektrického kabelu nebo k jeho zablokování. Ruka nebo paže uživatele by tak mohly přijít do kontaktu s otáčejícím se příslušenstvím.
 - **Nikdy nepokládejte nářadí, pokud se příslušenství ještě otáčí.** Nikdy nepokládejte nářadí, pokud se příslušenství ještě otáčí.
 - **Otáčející se příslušenství by mohlo narazit na plochu, na kterou jste nářadí položili, a mohli byste ztratit kontrolu nad nářadím.** Při přenášení nářadí vypněte. Otáčející se příslušenství by se mohlo zachytit o váš oděv a způsobit vám závažný úraz.
 - **Pravidelně čistěte větrací otvory v nářadí.** Při větrání motoru se pod kryt motoru dostává prach, proto je nutné větrací otvory pravidelně čistit, aby nedocházelo k usazování kovových částic, které by mohly způsobit úraz elektrickým proudem.
 - **Nepoužívejte nářadí v blízkosti hořlavých předmětů.** Jiskřením by mohlo dojít k jejich vznícení.
 - **Nepoužívejte příslušenství, které si vyžaduje chladicí médium.** Používání vody nebo chladicí kapaliny může způsobit úraz elektrickým proudem nebo elektrickou ránu.
- Zvláštní bezpečnostní varování pro činnosti s řezným a brusným kotoučem:**
- **Používejte pouze typy kotoučů, které jsou doporučeny pro váš elektrický nástroj a určený kryt navrženy pro zvolený kotouč.** Kotouče nenavřené pro danou brusku nelze dostatečně chránit a jsou nebezpečné.
 - **Kryt musí být bezpečně připojen k elektrickému nástroji a umístěn pro maximální bezpečnost, tím je obsluze vystavena minimální plocha kotouče.** Kryt pomáhá obsluhu chránit před rozbitými fragmenty kotouče, kontaktem s kotoučem a jiskrami, které mohou zapálit oděv.
 - **Kotouče se smí používat pouze pro doporučená použití.** Například nebruste stranou brusného kotouče. Hrubé rozbrušovací kotouče jsou určeny pro



okrajová broušení, boční síly použité na tyto kotouče mohou způsobit jejich poničení.

- **Vždy používejte nepoškozené okolky kotouče se správnou velikostí a tvarem pro váš vybraný kotouč.** Správné okolky kotouče podporují kotouč, čímž snižují možnost zaseknutí kotouče. Okolky pro rozbrušovací kotouče mohou být jiné než okolky brusných kotoučů.
- **Nepoužívejte opotřebované kotouče z větších nástrojů.** Kotouč zvolený pro větší nástroj je nevhodný pro vysoké rychlosti malého nástroje a může prasknout.

Doplňkové bezpečnostní varovné předpisy pro činnosti s řezným kotoučem:

- „Neblokujte“ řezný kotouč ani nepoužívejte nadměrný tlak. **Nezkoušejte se provádět nadměrně hluboké řezy.** Namáhání kotouče zvyšuje zátěž a náchylnost ke stočení nebo uváznutí kotouče v řezu a možnost zpětného vrhu nebo zlomení kotouče.
- **Nestavte své tělo do linie a za rotující kotouč.** Pokud kotouč, v místě použití, se pohybuje směrem od vašeho těla, může možný zpětný vrh odhodit rotující kotouč a elektrický nástroj přímo na Vás.
- **Když kotouč uvízne, nebo když se řezání přeruší z jakéhokoliv důvodu, vypněte elektrický nástroj a držte jej nehybně v materiálu, až se kotouč zcela zastaví.** Nikdy se nepokoušejte přemísťovat řezný kotouč z místa řezání, když se kotouč pohybuje, jinak nastane zpětný vrh. Pokud kotouč uvízne v řezaném materiálu, pokuste se nalézt příčinu a proveďte nápravu, aby k zablokování kotouče již nemohlo dojít.
- **Neobnovujte řezání přímo v obrobku. Nechte kotouč dosáhnout plné rychlosti a opatrně znovu vstupte do řezaného místa.** Když je kotouč uvízlý, může z obrobku vyskočit nebo být zpětně vržen, když se znovu spustí v obrobku.
- **Podepřete velké panely nebo velké obrobky pro minimalizaci nebezpečí sevření kotouče a zpětného vržení.** Velké obrobky mají sklon se prohýbat vlastní tíhou. Podpory musí být umístěny pod obrobkem po obou stranách blízko linie řezu a blízko okrajů obrobku.
- **Buďte velmi opatrní, když děláte „zářez“ do dané zdi nebo jiných slepých oblastí.** Vyčnívající kotouč může přeřezat potrubí vedoucí plyn či vodu, elektrické vodiče či předměty, které způsobují zpětný vrh.

Zpětný vrh a související varování

Zpětný ráz je prudká reakce nářadí, ke které dojde, když se otáčející kotouč, brusný kotouč, kartáč či jiné příslušenství ohne, uvízne či zablokuje v obráběném materiálu. Nářadí se nezastaví a stále se otáčí, tím vyvíjí tlak v opačném směru, než je pracovní směr zablokovaného příslušenství.

Například pokud uvízne brusný kotouč v obráběném dílu, řezná hrana kotouče se zanoří do obráběného dílu a dojde k prudké reakci kotouče, který nekontrolovaně vyskočí ze své dráhy směrem k uživateli, v závislosti na směru otáčení kotouče před jeho zablokováním. Kotouč může vyskočit buď směrem k nebo od operátora, v závislosti na směru kola hnutí v místě skřípnutí. Při zpětném rázu se brusný kotouč může zlomit.

Zpětný ráz je tudíž způsoben nesprávným používáním nářadí a/nebo nevhodným postupem při řezání, případně nevhodnými podmínkami řezání.

- **Držte nářadí pevně a postavte se tak, abyste mohli kontrolovat případný zpětný ráz nářadí. Pokud je nářadí vybaveno pomocnou rukojetí, vždy držte nářadí oběma rukama.** Tím se usnadní kontrola nad nářadím v případě zpětného rázu nebo reakčního momentu při spuštění nářadí. Při zpětném rázu nebo reakčním momentu je třeba přijmout odpovídající opatření.
- **Nikdy nepřibližujte ruce do blízkosti otáčejícího se příslušenství, abyste si nezpůsobili vážné zranění v případě zpětného rázu.** Příslušenství může odskočit zpět přes vaše ruce.
- **Nestavte se do místa možného zpětného rázu nářadí.** V případě zpětného rázu je nářadí vymrštěno opačným směrem, než je směr otáčení kotouče.
- **Postupujte opatrně při práci v rozích, při opracování ostrých hran apod. Dávejte pozor, aby se vám nářadí nevysmeklo a aby se příslušenství nezablokovalo.** Při práci v rozích a při opracování ostrých hran se zvyšuje nebezpečí vysmeknutí nářadí a zablokování příslušenství, které mají za následek ztrátu kontroly a zpětný ráz.
- **Toto nářadí nepoužívejte s kotoučem, který je určen pro zkracovací či jinou pilu na řezání dřeva.** Tyto kotouče zvyšují riziko zpětného rázu a ztráty kontroly nad nářadím.

ZAMÝŠLENÉ POUŽITÍ

- Broušení kovu či řezání materiálů jako kov či kámen.

Poznámka: Používejte pouze doporučená příslušenství. Pokyny pro bezpečné používání doplňků jsou přibaleny k příslušenství.

ÚDRŽBA

- Při údržbě používejte pouze stejné náhradní díly. Použití jakýchkoliv jiných dílů může vytvořit nebezpečí nebo způsobit poškození výrobku.
- Vyhněte se používání rozpouštědel, když čistíte plastové díly. Mnoho plastů je citlivých na poškození různými typy komerčních rozpouštědel a mohou se poškodit při jejich použití. Používejte čisté utěrky pro odstranění nečistot, prachu, oleje, mastnoty, atd.
- Při obsluze elektrického zařízení nebo odfukování prachu vždy používejte ochranné brýle nebo bezpečnostní brýle s postranními kryty. Pokud pracujete v prachu, noste také respirátor.
- Předcházejte vážnému zranění a při čištění nebo provádění údržby vždy vyjměte bateriový modul z výrobku.
- Plastové části nářadí nesmí nikdy přijít do styku s brzdovou kapalinou, benzinem, produkty na bázi ropy, regenerovanými maznými oleji apod. Tyto



výrobky obsahují chemikálie, které mohou poškodit, oslabit nebo zničit plastové části, případně snížit jejich životnost a být příčinou úrazu.

- Pouze části uvedené na seznamu dílů mají být opraveny nebo vyměněny zákazníkem. Všechny ostatní části by měly být vyměněny v autorizovaném servisním středisku.



Odpad elektrických výrobků se nesmí likvidovat v domovním odpadu. Recyklujte prosím na sběrných místech. Ptejte se u místních úřadů nebo prodejce na postup při recyklaci.

OCHRANA ŽIVOTNÍHO PROSTŘEDÍ



V rámci možností neodhazujte vysloužilé nářadí do domovního odpadu a upřednostněte jeho recyklaci. V souladu s předpisy na ochranu životního prostředí odkládejte vysloužilé nářadí, příslušenství i obalový materiál do tříděného odpadu.

SYMBOLY



Bezpečnostní výstraha



Shoda GOST-R



Shoda CE



Před spuštěním přístroje si řádně přečtěte pokyny.



Noste ochranu sluchu



Noste ochranu očí



Noste respirátor.



Noste ochranné rukavice



Nepoužívejte kotouč s prasklinami, otřepy nebo vadami



Nepoužívejte pro řezání



Používejte kryt



Kov



SPECIÁLIS BIZTONSÁGI ELŐÍRÁSOK

A csiszolási és vágási műveletekre vonatkozó általános biztonsági figyelmeztetések:

- A gép csiszolóként vagy vágóként is használható. Figyelmesen olvassa el az ehhez a szerszámozhoz mellékelt összes figyelmeztetést, utasítást és műszaki adatokat, valamint tanulmányozza az ábrákat is. Az alább részletezett előírások be nem tartása olyan baleseteket okozhat, mint pl. tűz, áramütés és/vagy súlyos testi sérülések.
- A géppel nem javasolt köszörülést, drótkéfézést vagy polírozást. Ezen előírás be nem tartása baleseteket és súlyos testi sérüléseket okozhat.
- Ne használjon olyan tartozékokat, amelyeket nem speciálisan ehhez a szerszámozhoz terveztek és a gyártó által nincs előírva a használatuk. Még ha egy tartozékot fel is lehet a szerszámozra szerelni / helyezni, ez nem jelenti azt, hogy teljes biztonságban is lehetne ezt a szerszámot ily módon használni.
- A tartozék névleges sebessége (fordulatszáma) nagyobb vagy egyenlő kell hogy legyen, mint a szerszámon jelölt maximális sebesség (fordulatszám). A saját névleges sebességüknél nagyobb sebességen üzemelő tartozékok eltörhetnek és kibódódhatnak / kirepülhetnek a szerszámból.
- A tartozék külső átmérője és vastagsága meg kell hogy feleljen a szerszám megjelölt műszaki adatainak. Amennyiben a tartozékok nem felelnek meg a megadott adatoknak, akkor a szerszám védelmi- és beállítási rendszerei nem képesek megfelelőképp működni.
- A csiszolókorongok (tárcsák), alátétek, talpak és egyéb tartozékok meg kell hogy feleljenek a szerszám tengely furatátméréjének. A meghajtótengelyeknek nem megfelelő tartozékok nem fognak megfelelőképp fogorni, túlságosan vibrálnak és általuk elveszíti a szerszám felett az uralmát.
- Ne használjon sérült tartozékokat. Minden használat előtt ellenőrizze, hogy a használt tartozék jó állapotban van-e: bizonyosodjon meg arról, hogy a csiszoló korongok nem csorbultak / deformálódtak vagy repedtek, a talpak nem szakadtak vagy kopottak, valamint hogy a drótkéfék sörtéi nem túlságosan kopottak vagy törtek. Amennyiben a szerszám vagy a tartozék leesett, ellenőrizze hogy semelyik alkatalem nem sérült, szükség esetén pedig szereljen / tegyen fel egy sérülésmentes tartozékokat. Miután leellenőrizte, hogy a tartozék jó állapotban van, és felszerelte / felhelyezte azt, akkor helyezkedjen el biztonságos távolságban a mozgó tartozéktól és hagyja hogy a szerszám egy percig maximális fordulatszámra működjön. Ha a tartozék sérült, akkor el fog törni e teszt során.
- Viseljen személyi védőfelszerelést. Aszerint, hogy mire használja a szerszámot, viseljen védőmaszkot, biztonsági- vagy védőszemüveget. Szükség esetén hordjon porvédő maszkot, hallásvédő

eszközt (fülvédőt, füldugót), kesztyűt, védőkötényt az idegen testek (súroló darabok, faforgács stb.) becsapódása elleni védelem érdekében. A védőszemüveg lehetővé teszi, hogy a kipattogó törmelék ne sértse meg a szemet. A porvédő maszk lehetővé teszi a munkafolyamat által keltett részecskék kiszűrését. Halláskárosodást okozhat, ha erős zajnak hosszabb időn keresztül ki van téve.

- A munkát szemlélőket tartsa megfelelő távolságban a munkaterülettől és ügyeljen arra, hogy hordjanak megfelelő védőfelszerelést. Bárki beléphet a munkaterületen kell viselniük egyéni védőeszközöket. A munkadarab ill. egy sérült tartozék töredékei a munkaterületen túra repülhetnek és súlyos testi sérüléseket okozhatnak.
 - A szerszámot mindig a szigetelt, csúszásgátló részénél fogja, ha olyan felületet munkál meg, amelyben elektromos vezetékek lehet. A feszültség alatt lévő villanyvezetékekkel történő érintkezés során a gép fém részei feszültség alá kerülhetnek, ami áramütést okozhat.
 - Oly módon vezesse a hálózati tápvezetéket, hogy távol maradjon a forgásban lévő tartozéktól. Ha elveszíti uralmát a szerszám felett, a tápvezetékek elszakadhatnak vagy becsipődhetnek és a keze ill. a karja a forgó tartozék felé mozdulhat el.
 - Soha ne tegye le addig a szerszámot, amíg a tartozék teljesen le nem áll. A forgó tartozék érintkezésbe léphet azzal a felülettel, amelyre helyezték, emiatt elveszítheti a szerszám felett az uralmát.
 - Szállítási közben soha ne működtesse a szerszámot. A forgó tartozék bekaphatja a ruháját és súlyos sérülést okozhat.
 - Rendszeresen tisztítsa a szerszám szellőzőnyílásait. A motor légáramlása a motorház belsejébe szívja a port, ami által felhalmozódhatnak ott a fémrészecskék és ez áramütést idézhet elő.
 - Ne használja a szerszámot gyúlékony, tűzveszélyes anyagok közelében. A szerszám által keltett szikrák meggyújthatják ezeket.
 - Ne használjon hűtőfolyadékkal működő tartozékokat. A víz ill. a hűtőfolyadékok használata áramütést okozhat.
- A csiszolási és vágási műveletekre vonatkozó speciális biztonsági figyelmeztetések:
- Csak a géphez javasolt tárcsákat használja, melyekhez van speciális védőburkolat. Azok a tárcsák, melyeknek használatára a gép nincs felkészítve, nem védhetők megfelelően és ezért nem biztonságosak.
 - A védőt biztosan kell rögzíteni a gépen, és úgy kell beállítani, hogy a maximális biztonságot nyújtsa, azaz a tárcsa lehető legkisebb nem védett része nézzen a kezelő felé. A védőburkolat megvédi a kezelőt a széttört korong darabjaitól és a koronggal, illetve a ruházatot esetleg meggyújtó szikrákkal való véletlen érintkezéstől.



- **A tárcsákat csak a javasolt alkalmazásokra szabad használni. Ezért ne csiszoljon például a vágótárcsa oldalával.** A csiszoló vágótárcsák oldalirányú csiszolásra valók, ezért nagy oldalsó erőnek vannak kitéve, melyek akár a tárcsa összetörését is okozhatják.
- **Mindig sérülésektől mentes tárcsarögzítő peremeket használjon, melyek mérete és alakja megfelelő a kiválasztott tárcsához.** A tárcsarögzítő peremek megtámasztják a tárcsát, így csökkentik a tárcsa eltörésének veszélyét. A vágótárcsák rögzítőperemei különbözhetnek a csiszolókorongokhoz szükséges peremektől.
- **Ne használjon nagyobb gépekről származó elhasznált tárcsákat.** A nagyobb szerszámgépekhez való tárcsa a kisebb gép nagyobb fordulatszámja miatt nem használható, mert szétrobbanhat.

A csiszolóval végzett vágásokkal kapcsolatos további biztonsági figyelmeztetések:

- **Ne "csípje be" a vágótárcsát, és ne fejtse ki túlzott nyomást. Ne próbálkozzon túl mélyen vágni.** A tárcsa feszítése növeli a terhelést és a tárcsa hajlamosságát a csavarodásra vagy görbültre a vágásjáratban, valamint a visszarúgás és a tárcsa törésének veszélyét.
- **Ne helyezze a testét forgó tárcsa síkjába.** Amikor a tárcsa a megmunkálási pontban az Ön testétől elfelé mozog, az esetleges visszarúgás megperdítheti a forgó tárcsát, és Ön felé lendítheti a szerszámgépet.
- **A tárcsa beakadásakor, vagy ha bármilyen okból megszakítja a vágást, kapcsolja ki a szerszámgépet, és tartsa mozdulatlanul mindaddig, amíg a tárcsa teljesen meg nem áll. Ne próbálja eltávolítani a vágótárcsát a vágásból, ha a tárcsa forog, máskülönben visszarúgás történhet.** Soha ne próbálja a még forgó tárcsát levenni, ez megugrást idézhet elő.
- **Ne kezdje újra a vágást a munkadarabban. Hagyja, hogy a vágótárcsa teljes fordulatszámra gyorsuljon, majd óvatosan engedje be a vágásba.** A tárcsa beakadhat, felemelkedhet vagy visszarúghat, ha a gépet a munkadarabban indítja be.
- **A paneleket és a túlméretes munkadarabokat támassza alá, hogy csökkentse a tárcsa becsípődésének és visszarúgásának kockázatát.** A nagyméretű munkadarabok a saját súlyuk alatt behajolhatnak. A támasztékokat a vágásvonal közelében, valamint a munkadarab széléhez közel is el kell helyeznie a tárcsa mindkét oldalán.
- **Különös figyelemmel járjon el, ha "beszűrő vágást" végez egy már meglévő falban vagy más előre nem látható területen.** A kiálló tárcsa gáz- vagy vízcsoveket, illetve elektromos vezetékeket vagy más tárgyakat vághat el, ami visszarúgást okozhat.

Visszarúgás és ahhoz kapcsolódó figyelmeztetések

A megugrás egy olyan hirtelenszerű reakció, amely akkor léphet fel, ha a mozgásban lévő csiszolókorong, talp, drótkéfe vagy egyéb tartozék beszorul vagy elgörbül, ami az adott tartozék gyors blokkolásában nyilvánul meg.

A szerszám tovább működik, így a tartozék használati irányával ellenkező irányban megdobja a szerszámot.

Például, ha egy vágótárcsa beszorul vagy elgörbül a munkadarabban, akkor a tárcsa éle belemélyülhet a munkadarab felületébe, ami a tárcsát a munkadarabról hirtelen a szerszámot használó személy irányába ill. – a leblokkolt tárcsa forgásirányának függvényében – távolra is vetheti. A kerék akkor sem ugrik irányába, vagy távol az üzemeltetőtől, attól függően, irány a kerék mozgását pontosan csipkedte. Megugrás esetén a vágótárcsa el is törhet.

A megugrás ily módon a szerszám nem megfelelő használatának és/vagy a helytelen használati módoknak / körülményeknek az eredménye. Néhány óvintézkedés meghozatalával ill. figyelmes betartásával azonban elkerülhető ez a veszélyes jelenség.

- **Tartsa erősen a szerszámot és oly módon pozicionálja a testét és a kezeit, hogy egy esetleges megugrást kontrollálni tudjon. Ha a szerszámon segédfogantyú van, mindig ügyeljen a fogására.** Ekkor optimális kontroll alatt tartja a szerszámot egy esetleges megugrás vagy a szerszám beindítása során jelentkező ellenhatás-nyomaték esetén. Hozza meg a szükséges intézkedéseket ahhoz, hogy uralma alatt maradjon a szerszám megugrás vagy ellenhatás-nyomaték esetén.
- **Soha ne helyezze a kezét a forgó tartozék közelébe, a súlyos testi sérülések veszélyének elkerülése érdekében.** Tartozékok kezein át.
- **Ne helyezkedjen abba a térrészbe, ahova a szerszám kidobódhat egy esetleges megugrás esetén.** Megugrás esetén a szerszám a tárcsa forgásirányával ellentétes irányba repül ki.
- **Különös figyelemmel járjon el, ha sarkokon, éles peremeken stb. dolgozik. Kerülje a tartozék megcsúszását és beszorulását.** Amikor sarkokon, éles peremeken dolgozik, vagy megcsúszik a szerszám, akkor a tartozék blokkolásának – ily módon az uralom elvesztésének és a szerszám megugrásának – nagyobb a veszélye.
- **Soha ne használjon ezzel a szerszámmal fadaraboló- és fűrész-tárcsát.** Az ilyen típusú tárcsák növelik a szerszám megugrásának és uralomvesztésének veszélyét.

RENDELTETÉSSZERŰ HASZNÁLAT

- Fém csiszolására és különböző anyagok, például fém vagy kő vágására.

Megjegyzés: Csak javasolt kiegészítőket használjon. A kiegészítő biztonságos használatára vonatkozó utasítás a kiegészítőhöz van mellékelve.

KARBANTARTÁS

- Szervizeléskor csak azonos cserealkatrészeket használjon. Bármilyen más alkatrész használata veszélyes és a termék károsodását okozhatja.
- A műanyag részek tisztításakor tartózkodjon a



tisztítószer használata. A legtöbb műanyag érzékeny a különböző típusú kereskedelmi oldószerekre és azok használata esetén károsodhat. Egy tiszta ruhát használjon a kosz, por, olaj, kenőzsír, stb. eltávolítására.

- A szerszámgépek használatakor vagy a por lefűvásakor mindig viseljen védőszemüveget vagy oldalellezővel rendelkező védősisakot. Ha a használat poros környezetben történik, vegyen fel egy pormaszkot is.
- A súlyos személyi sérülések elkerülése érdekében tisztítás vagy karbantartás előtt mindig vegye ki az akkumulátort a termékből.
- A műanyag részek semmilyen körülmények között nem érintkezhetnek fékolajjal, benzinnel, petróleum alapú termékekkel, beszívódó olajokkal, stb. Ezek a vegyszerek olyan vegyületeket tartalmaznak, melyek megrongálhatják, meglágyíthatják vagy lebontják a műanyagból készült részeket, ami súlyos testi sérüléseket is okozhat.
- A vásárló csak az alkatrészlistán lévő alkatrészeket javíthatja, vagy cserélheti ki. Minden más alkatrészt egy hivatalos szervizközpontban kell kicseréltetni.



Viseljen biztonsági védőkesztyűt



Ne használjon kicsorbult, repedt vagy hibás csiszolókorongot



Ne használja vágásra



Használjon védőburkolatot



Fém



A kiselejtezett elektromos termékeket nem szabad a háztartási hulladékkal együtt kidobni. Ezeket újra kell hasznosítani, ha van rá lehetőség. Az újrahasznosítással kapcsolatban érdeklődjön a helyi önkormányzatnál vagy a termék forgalmazójánál.

KÖRNYEZETVÉDELEM



Segítse elő az alapanyagok újrahasznosítását azzal, hogy nem helyezi el őket a háztartási szemétként. Környezetvédelmi megfontolásból az elhasznált gépet és tartozékokat, valamint a csomagolóanyagokat szelektív módon kell gyűjteni.

SZIMBÓLUMOK



Biztonsági figyelmeztetés



GOST-R megfelelés



CE megfelelés



A gép bekapcsolása előtt figyelmesen olvassa el az útmutatót.



Viseljen fülvédőt



Viseljen szemvédőt



Viseljen pormaszkot.

**REGULI SPECIALE PRIVIND SIGURANȚA**

Avertizări de siguranță comune operațiilor de polizare și de tăiere abrazivă:

- Această mașină electrică este destinată funcționării ca polizor sau ca unealtă de debitare. Citiți, cu atenție, toate avertismentele, instrucțiunile și specificațiile furnizate împreună cu aparatul, și consultați ilustrațiile. Nerespectarea instrucțiunilor prezentate în continuare poate provoca accidente cum ar fi incendii, electrocutare și/sau vătămări corporale grave.
- Operațiile, precum șlefuirea, perierea sau lustruirea nu sunt recomandate a fi efectuate cu această unealtă electrică. Nerespectarea acestei reguli poate produce accidente și vătămări corporale grave.
- Nu utilizați accesoriile care nu sunt concepute special pentru acest aparat și care nu sunt recomandate de către producător. Chiar dacă un accesoriu se poate monta pe aparat, acesta nu garantează că veți putea utiliza aparatul în deplină siguranță.
- Viteza nominală a accesoriului trebuie să fie egală sau mai mare decât viteza maximă indicată pe aparat. Accesoriile care funcționează la o viteză mai mare decât viteza lor nominală se pot rupe și pot fi aruncate.
- Diametrul exterior al accesoriului și grosimea acestuia trebuie să corespundă caracteristicilor specificate pentru aparat. În cazul în care accesoriile nu corespund caracteristicilor date, sistemele de protecție și de reglare ale aparatului nu vor putea funcționa corect.
- Polizoarele, flanșele, tălpile sau alte accesorii trebuie să fie perfect adaptate la diametrul axului aparatului. Accesoriile neadaptate la axul pe care trebuie să fie montate nu se vor roti corect, vor vibra excesiv și vă vor face să pierdeți controlul aparatului.
- Nu utilizați accesoriile deteriorate. Înainte de fiecare utilizare, verificați dacă accesoriul pe care-l utilizați este în stare corespunzătoare: asigurați-vă că discurile abrazive nu sunt știrbite sau fisurate, că tălpile nu sunt crăpate sau uzate, că firele perilor metalice nu sunt foarte uzate sau rupte. În cazul căderii aparatului sau accesoriului, verificați ca niciun element să nu fie deteriorat și, dacă este nevoie, instalați un accesoriu nou. După ce ați verificat că accesoriul este în stare corespunzătoare și după ce l-ați instalat, îndepărtați-l de accesoriul mobil și lăsați aparatul timp de un minut să ajungă la viteza maximă. În cazul în care accesoriul este deteriorat, acesta se va rupe în timpul acestui test.
- Purtați echipament de protecție personală. În funcție de utilizarea aparatului dumneavoastră, purtați o mască de protecție, ochelari de siguranță sau ochelari de protecție. Dacă este necesar, purtați o mască antipraf, protecții auditive, mănuși și un șorț pentru a vă proteja de proiectarea de corpuri străine (elemente abrazive, așchii de lemn, etc.). Ochelarii de protecție vă permit să evitați ca proiectiile

de resturi să vă rănească ochii. Măștile antipraf permit filtrarea particulelor generate de operația pe o care o faceți. Expunerea prelungită la un zgomot de intensitate mare poate duce la pierderea auzului.

- Țineți vizitatorii la o distanță suficientă de zona de lucru și asigurați-vă că aceștia poartă echipament de protecție. Oricine intră în zona de lucru trebuie să poarte echipament personal de protecție. Este posibil ca fragmente din piesele de prelucrat sau de la un accesoriu rupt să fie proiectate dincolo de zona de lucru și să provoace vătămări corporale grave.
- Atunci când lucrați pe o suprafață ce poate ascunde fire electrice, țineți mașina numai de părțile izolate și antiderapante. Un contact cu firele sub tensiune poate transmite curentul spre părțile metalice și provoca electrocutarea.
- Așezați cablul de alimentare în așa fel încât să fie la distanță de accesoriul în rotație. În cazul în care pierdeți controlul aparatului, cablul de alimentare ar putea fi tăiat sau s-ar putea agăța, iar mâna sau brațul dumneavoastră ar putea fi antrenată spre accesoriul în rotație.
- Nu așezați niciodată aparatul înainte ca accesoriul să se fi oprit complet. Accesoriul în rotație ar putea intra în contact cu suprafața pe care este așezat, ducând la pierderea controlului asupra aparatului.
- Nu lăsați aparatul în funcțiune când îl transportați. Accesoriul în rotație ar putea să se agățe în îmbrăcămintea dumneavoastră și v-ar putea răni grav.
- Curățați în mod regulat orificiile de ventilație ale aparatului. Ventilația motorului face ca praful să pătrundă în interiorul carcasei motorului, ceea ce poate produce o acumulare excesivă de particule metalice și poate provoca șocuri electrice.
- Nu utilizați aparatul în apropiere de produse inflamabile. Scânteele ar risca să le aprindă.
- Nu utilizați accesoriile care necesită lichide de răcire. Utilizarea apei sau a lichidelor de răcire poate cauza electrocutări sau șocuri electrice.

Avertizări de siguranță specifice operațiilor de polizare și de tăiere abrazivă:

- Utilizați numai flanșele recomandate pentru unealta dvs. electrică și elementul de apărare specific proiectat pentru unealta selectată. Discurile care nu sunt compatibile cu mașina electrică nu pot fi protejate adecvat și nu sunt sigure.
- Elementul de apărare trebuie atașat în siguranță la unealta electrică și poziționat pentru o siguranță maximă, astfel încât doar o mică parte din piatră să fie expusă înspre operator. Apărătura ajută la protejarea operatorului de fragmentele rupte din disc, de contactul accidental cu discul și scânteele ce ar putea aprinde îmbrăcămintea.
- Pietrele trebuie folosite numai pentru aplicațiile recomandate. De exemplu, nu șlefuiți cu partea laterală a pietre abrazive. Discurile abrazive de tăiere sunt destinate pentru polizarea periferică, forțele



laterale aplicate asupra acestor discuri poate provoca spargerea lor.

- **Întotdeauna utilizați flanșe nedeteriorate, având mărimea și forma corecte pentru piatra selectată.** Flanșele corespunzătoare sprijină piatra, reducând astfel posibilitatea sfărâării pietrei. Flanșele pentru pietrele abrazive de retzare pot diferi de flanșele discurilor de rectificare.
- **Nu utilizați pietre uzate aparținând altor unelte electrice mai mari.** Pietrele destinate uneltelor electrice mai mari nu se potrivesc cu viteza mare a uneltelor mai mici și se pot sfărâma.

Avertizări de siguranță suplimentare specifice operațiilor de tăiere abrazivă:

- **Nu blocați discul de tăiere și nu aplicați presiune excesivă.** Nu încercați să efectuați o adâncitură de tăiere excesivă. Suprasolicitarea discului crește sarcina și probabilitatea răsucirii sau îndoirii discului în tăietură și posibilitatea de recul sau de spargere a discului.
- **Nu poziționați corpul în dreptul și în spatele discului rotativ.** Când discul, în punctul de funcționare, se îndepărtează de corp, reculul posibil poate proiecta discul rotativ și unealta electrică direct spre dvs.
- **Când discul se gripează sau când tăierea este întreruptă din orice motiv, opriți unealta electrică și țineți unealta electrică nemișcată până când discul se oprește complet.** Nu încercați niciodată să scoateți discul de tăiere din tăietură în timp ce discul este în mișcare, altfel poate apărea reculul. Dacă discul se blochează, căutați cauza și luați măsurile necesare pentru ca acest lucru să nu se mai repete.
- **Nu reporniți operația de tăiere în piesa de prelucrat.** Lăsați discul să ajungă la viteza maximă și pătrundeți din nou cu atenție în tăietură. Discul se poate gripa, poate urca sau poate provoca recul, dacă unealta electrică este repornită în piesa de prelucrat.
- **Sprijiniți panourile sau orice piesă de prelucrat de dimensiuni mari pentru a minimiza riscul de ciupire și recul al discului.** Piesele de prelucrat mari au tendința să se lase sub propria greutate. Suporturile trebuie să fie plasate sub piesa de prelucrat, lângă linia de tăiere și lângă marginea piesei de prelucrat pe ambele părți ale roții.
- **Aveți grijă când efectuați o "tăiere îngropată" în pereți sau în alte zone fără vizibilitate.** Discul proeminent poate tăia conducte de gaz sau de apă, cabluri electrice sau obiecte care pot provoca un recul.

Recul și alte avertizări asociate

Recul este o reacție bruscă, care are loc când discul în mișcare, talpa, peria sau orice alt accesoriu se agață sau se îndoaie, ceea ce antrenează blocarea rapidă a accesoriului. Aparatul, care continuă să funcționeze, proiectează atunci aparatul în direcția opusă sensului de utilizare a accesoriului.

De exemplu, dacă un disc abraziv se agață sau se îndoaie

în piesa de prelucrat, există riscul ca tăișul discului să intre în suprafața materialului, ceea ce va face ca discul să iasă brusc din aceasta sau să fie proiectat. Discul poate sări sau nu către din partea operatorului, în funcție de direcția de mișcare roata de la punctul de blocare. În caz de recul, discul abraziv se poate și rupe.

Reculul este deci rezultatul unei utilizări incorecte a aparatului și/sau al procedurilor sau al condițiilor de utilizare incorecte. Reculul poate fi evitat printr-o atenție deosebită acordată respectării unor precauțiuni:

- **Țineți aparatul cu putere și poziționați-vă corpul și brațele astfel încât să puteți controla un eventual recul.** Dacă aparatul are un mâner auxiliar, țineți-l întotdeauna pentru a avea un control optim asupra aparatului în caz de recul sau cuplu de reacție când puneți aparatul în funcțiune. Luați măsurile necesare pentru a putea controla aparatul în caz de recul sau de cuplu de reacție.
- **Nu vă așezați mâna niciodată în apropierea accesoriului în rotație pentru a evita orice risc de răniri corporale grave în caz de recul.** Accesoriul poate recula peste mâna dumneavoastră.
- **Nu vă așezați în zona în care există riscul ca aparatul să fie proiectat în caz de recul.** În caz de recul, aparatul este proiectat în direcția opusă sensului de rotație al discului.
- **Fiți foarte atenți când lucrați pe unghiuri, muchii tăioase, etc. Evitați deraparea sau blocarea accesoriului.** Când lucrați pe unghiuri sau muchii tăioase sau când aparatul derapează, există un risc mai mare de blocare a accesoriului și deci de pierdere a controlului asupra aparatului și de provocare a unui recul.
- **Nu utilizați niciodată lamă de ferăstrău cu lanț pentru lemn sau lamă de ferăstrău cu acest aparat.** Astfel de lame măresc riscul de recul și de pierdere a controlului asupra aparatului.

DOMENIU DE APLICAȚII

- Șlefuire metal sau tăiere materiale precum metalul sau piatra.

Notă: Utilizați doar accesorii recomandate. Instrucțiuni pentru utilizarea în siguranță a accesoriilor sunt incluse împreună cu accesoriul.

ÎNTREȚINEREA

- Atunci când efectuați proceduri de service, utilizați doar piese de schimb identice. Utilizarea altor piese poate crea situații periculoase sau poate conduce la deteriorarea produsului.
- Evitați utilizarea solvenților atunci când curățați piesele din plastic. Majoritatea materialelor plastice pot fi deteriorate de diferite tipuri de solvenți comerciali și pot fi deteriorate de utilizarea acestora. Utilizați materiale textile curate pentru a îndepărta murdăria, praful, uleiul, grăsimea etc.



- Purtați întotdeauna ochelari de protecție cu apărători laterale când utilizați produsul electric sau când îndepărtați praful. Dacă mediul de lucru este plin de praf, purtați întotdeauna o mască împotriva prafului.
- Pentru a evita vătămarea personală gravă, scoateți întotdeauna acumulatorul din produs când curățați sau efectuați orice lucrări de întreținere.
- Elementele din plastic nu trebuie să intre niciodată în contact cu lichid de frână, benzină, produse petroliere, uleiuri minerale etc. Aceste produse chimice conțin substanțe care pot distruge, fragiliza sau deteriora plasticul.
- Numai piesele prezentate pe lista de piese sunt destinate să fie reparate sau înlocuite de client. Toate celelalte piese trebuie înlocuite la un centru de service autorizat.



Folosiți o apărătoare



Metal



Deșeurile produselor electrice nu trebuie să fie eliminate împreună cu deșeurile casnice. Vă rugăm să reciclați acolo unde există facilități. Verificați la autoritatea dvs. locală sau la vânzător pentru sfaturi privind reciclarea.

PROTECȚIA MEDIULUI ÎNCONJURĂTOR



Reciclați materiile prime în loc să le aruncați la gunoi, împreună cu deșeurile menajere. Pentru a proteja mediul înconjurător, mașina, accesoriile acesteia și ambalajele trebuie triate.

SIMBOLURI



Avertizare de siguranță



Conform GOST-R



Conform CE



Vă rugăm să citiți instrucțiunile cu atenție înainte de pornirea aparatului.



Purtați echipamente de protecție a auzului



Purtați echipamente de protecție a vederii



Purtați mască de praf.



Purtați mănuși de protecție



Nu folosiți disc de șlefuire ciobit, crăpat sau defect



A nu se folosi pentru tăiere

**SPECIĀLIE DROŠĪBAS NOTEIKUMI**

Vispārēji drošības brīdinājumi, kas attiecas uz slīpēšanu un abrazīvu griešanu:

- Šis elektroinstruments ir paredzēts slīpēšanai vai griešanai. Izlasiet visus drošības brīdinājumus, instrukcijas, specifikācijas un apskatiet atēlus šī elektroinstrumenta dokumentācijā. Visu uzskaitīto instrukciju neievērošana ir bīstama; tā var izraisīt elektrisko triecienu, aizdegšanos un/vai nopietnas traumas.
- Ar šo elektroinstrumentu nav ieteicams veikt tādus darbus kā slīpēšana, slīpēšana ar stieplu suku vai pulēšana. Veikt darbus, kuriem šis elektroinstruments nav paredzēts, ir bīstami, un tas var izraisīt traumas.
- Neizmantojiet griezēj-/slīpinstrumentus, kas nav speciāli paredzēti un ražotāja ieteikti šim instrumentam. Tas, ka piederumu var piestiprināt elektroinstrumentam, nenozīmē, ka tā lietošana ir droša.
- Piederuma nominālajam ātrumam jābūt vismaz vienādam vai maksimālajam, kas norādīts uz elektroinstrumenta. Piederumi, kas kustās ātrāk par nominālo ātrumu, var salūzt un lidot uz visām pusēm.
- Piederuma ārējam diametram un biežumam jāatbilst elektroinstrumenta specifikācijām. Nepareiza izmēra griezēj-/slīpinstrumentus nevar atbilstoši nodrošināt un kontrolēt.
- Disku, atloku, atbalstu vai jebkuru citu griezēj-/slīpinstrumentu iekšējam diametram jāatbilst elektroinstrumenta vārpstai. Piederumi, kuru iekšējais diametrs neatbilst elektroinstrumenta montāžas ietaisēm, nonāks disbalansā, pārmērīgi vibrēs un var izraisīt kontroles zudumu.
- Nelietojiet bojātus piederumus. Pirms katras lietošanas reizes pārbaudiet griezēj-/slīpinstrumentu, piemēram, abrazīvos disku, vai tam nav atlūzu, plaisu, vai atbalstam nav plaisu vai pārlieka nodiluma, vai stieplu sukai nav vaļņigu vai salauztu sariņu. Ja elektroinstruments vai piederums nokrīt zemē, pārbaudiet, vai tas nav bojāts vai uzstādiets nebojātu piederumu. Pēc piederuma pārbaudes un uzstādīšanas nostādieties un nostādiēti citus tuvumā esošos prom no rotējošā piederuma ass un vienu minūti darbiniet elektroinstrumentu ar maksimālo bezslodzes ātrumu. Bojāti piederumi šīs pārbaudes laikā parasti salūzīs.
- Valkājiet individuālos aizsarglīdzekļus. Atkarībā no pielietojuma valkājiet sejas aizsargu vai aizsargbrilles. Ja nepieciešams, valkājiet putekļu masku, dzirdes aizsargus, cimdus un darba priekšautu, kas var apturēt mazus abrazīvā materiāla vai sagataves fragmentus. Acu aizsargiem jāspēj apturēt dažādu darbu radītie lidojošie gruži. Putekļu maskai vai respiratoram jāspēj filtrēt daļiņas, kas rodas attiecīgā darba gaitā. Ilgstoša atrašanās ļoti intensīvā troksnī var izraisīt dzirdes traucējumus.

- Tuvumā esošajām personām jāatrodas drošā attālumā no darba vietas. Visiem, kas tuvojas darba zonai, jāvalkā individuālie aizsarglīdzekļi. Sagataves vai bojāta piederuma daļas var lidot un radīt traumas ārpus tiešās darba zonas.
- Darbos, kuros instruments var saskarties ar slēptiem vadiem, turiet instrumentu aiz izolētajām satveršanas virsmām vai tā vada. Saskare ar strāvu vadošajām vietām padarīs arī atklātās metāla daļas vadošas un radīs operatoram elektrisko triecienu.
- Novietojiet vadu atstātus no griezē j - / slīpinstrumenta. Zaudējot kontroli, vads var tikt pārzagāts vai parauts, ievēlot jūsu roku rotējošajā piederumā.
- Nenolieciet elektroinstrumentu, līdz piederums nav pilnībā apstājies. Rotējošais piederums var iekerties vīrsnā un radīt kontroles zudumu pār elektroinstrumentu.
- Nedarbiniet elektroinstrumentu, nesot to sev blakus. Nejausa saskare ar rotējošu griezēj-/slīpinstrumentu var ieraut drēbes, pievelkot griezēj-/slīpinstruments pie jūsu ķermeņa.
- Regulāri tīriet elektroinstrumenta ventilācijas atveres. Motora ventilators ievilks putekļus korpusā, un pārāk liela metāla pulvera koncentrācija var izraisīt elektrisko bīstamību.
- Nelietojiet elektroinstrumentu uzliesmojošu materiālu tuvumā. Dzirkestes var aizdedzināt šos materiālus.
- Nelietojiet griezēj-/slīpinstrumentus, kam nepieciešami dzesēšanas šķidrumi. Ūdens vai cita šķidra dzesēšanas līdzekļa lietošana var izraisīt elektrisko triecienu vai nāvi.

Drošības brīdinājumi, kas īpaši attiecas uz slīpēšanu un abrazīvu griešanu:

- Izmantojiet tikai tāda veida disku, kas paredzēti jūsu elektroinstrumentam, un speciālos aizsargus, kas paredzēti izvēlētajam diskam. Diskus, kas nav paredzēti šim elektroinstrumentam, nevar pareizi vadīt, un to izmantošana nav droša.
- Aizsargam jābūt droši piestiprinātam elektroinstrumentam un novietotam maksimāli drošībai tā, lai pret operatoru būtu atklāta pēc iespējas mazāka diska daļa. Aizsargs palīdz pasargāt lietotāju no nolīzušām diska daļām un nejaušas saskares ar disku un dzirkstelēm, kas var aizdedzināt apģērbu.
- Diskus drīkst lietot tikai tam paredzētajiem darbiem. Piemēram, neslīpējiet ar griezēdiska sāniem. Abrazīvie griezēdiski ir paredzēti papildu slīpēšanai; šiem diskiem pielikts spēks no sāniem var tos salauzt.
- Obligāti izmantojiet nebojātus disku atlokus ar pareizu izmēru un formu, kas piemērota attiecīgajam diskam. Pareizi disku atloki atbalsta disku, samazinot diska salūšanas iespēju. Griezēdisku atloki var atšķirties no slīpēšanas disku atlokiem.
- Neizmantojiet nodilušus disku no lielākiem



elektroinstrumentiem. Disks, kas paredzēts lielākam elektroinstrumentam, nav piemērots mazāka instrumenta lielākiem apgrīzieniem un var saplīst.

Papildu drošības brīdinājumi, kas īpaši attiecas uz abrazīvu griešanu:

- **Neļaujiet griešanas diskam iestrēgt un nelietojiet pārmērīgu spēku. Nemēģiniet griezt pārmērīgi dziļi.** Pārslūgojot disku, palielinās slodze un risks, ka disks var nokļūt vērpē vai tikt saliekts, kas var izraisīt atsitieni vai diska salūšanu.
- **Neatrodieties vienā līmenī ar griešanas disku vai aiz tā.** Kad disks griešanas punktā virzās prom no jūsu ķermeņa, iespējama atsitiena var virzīt griešanās ratu un elektroinstrumentu tieši pret jums.
- **Ja disks ir iekļīlējis vai jūs kāda iemesla dēļ pārtraucat griešanu, izslēdziet elektroinstrumentu un turiet to nekustīgi, līdz disks pilnīgi apstājas. Nemēģiniet noņemt griezējdisku no griezuma, kamēr disks griežas, citādi varat saņemt atsitieni.** Izpētiet, kādi iemesli izraisa diska ķeršanos, un novērsiet tos.
- **Neatsāciet griešanu sagatavē. Ļaujiet diskam sasniegt pilnu ātrumu un uzmanīgi ievietojiet iegriezumā.** Disks var iekļīlēties, novirzīties vai dot atsitieni, ja elektroinstrumenti tiek iedarbināti sagatavē.
- **Atbalstiet jebkuru lielmēra sagatavi, lai samazinātu diska iespiešanas un atsitiena risku.** Lielām sagatavēm ir tendence liekties zem pašu svara. Atbalsti ir jānovieto zem sagataves, tuvu griešanas līnijai un tuvu sagataves malai abās diska pusēs.
- **Īpaši uzmanieties, veicot kabatas veida griezumus ēku sienās vai citās apslēptās vietās.** Izvirzījuma disks var griezt gāzes vai ūdens caurules, elektroinstalāciju, kas var radīt pretsitieni.

Atsitens un saistītie brīdinājumi

Atsitens ir pēkšņa reakcija uz diska, atbalsta, sukas vai cita piederuma iespiešanu vai iekļīlēšanos. Iespiešana izraisa strauju rotējošā griezēj-/slīpinstrumenta bloķēšanos, kas var likt elektroinstrumentam atbrīvoties no kontroles un virzīties pretēji griezēj-/slīpinstrumenta rotācijas virzienam saskares punktā.

Piemēram, ja abrazīvais disks iekļeras vai iekļīlējas materiālā, iesprūdušā diska mala var iespieties materiāla virsmā, izraisot diska izlēkšanu vai atsitieni. Disks var pārlekt uz priekšu vai prom no operatora atkarībā no diska rotācijas virziena iespiešanas vietā. Abrazīvie diski šādos apstākļos var arī salūzt.

Atsitens rodas no elektroinstrumenta nepareizas lietošanas un/vai nepareizas darba procedūras vai apstākļiem; no tā var izvairīties, veicot pareizus drošības pasākumus:

- **Turiet elektroinstrumentu stingri un novietojiet ķermeni un rokas tā, lai tie pretotos atsitiena spēkiem.** Ja tāds ir, vienmēr izmantojiet papildu rokturi, lai palaišanas laikā nodrošinātu maksimālu kontroli pār atsitieni vai griezes reakciju. Operatori var kontrolēt griezes reakciju vai atsitiena spēkus, ja ir

veikti atbilstošie drošības pasākumi.

- **Nenovietojiet rokas rotējošā griezē j - / slīpinstrumenta tuvumā.** Piederums var atsisties pāri jūsu rokai.
- **Nenovietojiet ķermeni tur, kur virzītos elektroinstrumenta atsitiena gadījumā.** Atsitens virzīs instrumentu pretēji diska kustības virzienam iespiešanas punktā.
- **Esiet sevišķi uzmanīgs, kad strādājat pie stūriem, asām malām utt. Izvairieties no griezēj- / slīpinstrumenta lēkāšanas un iespiešanas.** Stūriem, asām malām vai lēkāšanai ir tendence iespiest rotējošo piederumu, kas var izraisīt kontroles zaudēšanu vai atsitieni.
- **Nepiestipriniet ķēdi, koka griešanas asmeni vai zāģlenti.** Šie griezējinstrumenti rada biežus atsitienus un kontroles zaudēšanu.

PAREDZĒTĀ LIETOŠANA

- **Metāla slīpēšana vai materiālu, piemēram, metāla vai akmens, griešana.**

Piezīme: Izmantojiet tikai ieteiktos piederumus. Piederumu komplektā ir iekļauti norādījumi par drošu piederumu izmantošanu.

APKOPE

- **Veicot apkopi, izmantojiet tikai identiskas rezerves daļas.** Jebkādi citu detaļu izmantošana var izraisīt bīstamību vai produkta bojājumus.
- **Tīrot plastmasas daļas, izvairieties no šķīdinātāju lietošanas.** Vairums plastmasu bojājas no pārdošanā pieejamo šķīdinātāju iedarbības. Izmantojiet tīru drānu, lai notīrītu netīrumus, putekļus, eļļu, ziežvielas utt.
- **Vienmēr valkājiet aizsargbrilles vai brilles ar sānu aizsargiem, lietojot elektroinstrumentu vai pūšot putekļus.** Ja darbība ir saistīta ar putekļu rašanos, uzlieciet arī putekļu masku.
- **Lai izvairītos no ievainojumiem, vienmēr atvienojiet akumulatoru no izstrādājuma tīrīšanas vai apkopes laikā.**
- **Nekad neļaujiet bremžu šķidrumam, benzīnam, naftas produktiem, piesūcināšanas eļļām, utt., nonākt kontaktā ar plastmasas detaļām.** Ķīmikālijas var sabojāt, novājināt vai iznīcināt plastmasu, kas var izraisīt nopietnas personīgās traumas.
- **Tikai detaļu sarakstā esošās detaļas drīkst nomainīt klients.** Visu pārējo detaļu nomainīšana jāveic pilnvarotā servisa centrā.



VIDES AIZSARDŽĪBA



Tā vietā, lai izejmateriālus izmestu atkritumos, nododiet tos otrreizējai pārstrādei. Mašīna, aksesuāri un iepakojums ir jāsašķiro un jānodod videi draudzīgā atkārtotas pārstrādes vietā.

APZĪMĒJUMI



Drošības brīdinājums



GOST-R atbilstība



CE atbilstība



Pirms iedarbināt mašīnu, lūdzu rūpīgi izlasiet instrukcijas.



Lietojiet dzirdes aizsargus



Valkājiet acu aizsarglīdzekļus



Valkājiet putekļu masku.



Valkājiet aizsargcimdus



Neizmantot saplīsušus, iekļaušus un bojātus slīpēšanas diskus



Neizmantot griešanai



Izmantot aizsargu



Metāls



Izlietotie elektroprodukti nedrīkst tikt izmesti kopā ar mājsaimniecības atkritumiem. Lūdzu, nododiet tos attiecīgajās atk ār tolas izmantošanas vietās. Sazinieties ar savu vietējo varas pārstāvi vai izplatītāju, lai noskaidrotu, kur iespējama atkārtota pārstrāde.

**SPECIALIOS SAUGOS Taisyklės**

Įspėjimai dėl saugos, taikomi šlifavimo ir abrazyvinio pjovimo darbams:

- Šis elektrinis įrankis yra skirtas naudoti kaip šlifuklis arba prietaisas nupjovimo darbams atlikti. Perskaitykite visus saugos įspėjimus, visas instrukcijas, paveikslėlius ir techninius reikalavimus, pateikiamus su šiuo elektriniu įrankiu. Apačioje išdėstytų instrukcijų nesilaikymas gali sukelti elektros smūgį, gaisrą ir (ar) sunkius sužeidimus.
- Tokie darbai kaip šlifavimas, šlifavimas su metaliniu šepetėliu ar poliravimas šiuo elektriniu įrankiu yra nerekomenduojami. Atliekant veiksmus, kuriems elektrinis įrankis nėra skirtas, galima sudaryti pavojų ir sukelti sunkius sužeidimus.
- Nenaudokite tokių priedų, kurie šiam darbui specialiai nėra skirti ir įrankio gamintojo nerekomenduoti. Vien tik tai, kad priedą galima pritvirtinti prie Jūsų elektrinio įrankio, saugaus darbo neužtikrina.
- Priedo nustatytas greitis turi būti lygus bent didžiausiam greičiui, pažymėtam ant elektrinio įrankio. Priedai, kurie sukasi didesniu nei jų nustatytu greičiu, gali sulūžti, atsiskirti ir skrieti į šonus.
- Priedo išorinis skersmuo ir storis turi būti Jūsų įrankio nustatytos galios ribose. Neteisingo dydžio priedų atitinkamai apsaugoti ar suvaldyti neįmanoma.
- Diskų, jungių, pagalbinio padelio ar kitų priedų dydis turi visiškai atitikti elektrinio įrankio ašį. Priedai su ašies anga, nepritaikyti pagal elektrinio įrankio montavimo detales, praras pusiausvyrą, pradės labai smarkiai vibruoti ir dėl to įrankio galite nesuvaldyti.
- Nenaudokite pažeistų priedų. Prieš kiekvieną naudojimą priedą patikrinkite, ar diskai nėra nudažę ir įtrūkę, pagalbinis padelis įtrūkęs, detalės smarkiai nusidėvėjusios, metalinio šepetėlio vieltės atsilaisvinusios ar sutrūkusios. Elektrinį įrankį ar priedą numetus, būtina patikrinti, ar jie nepažeisti arba pakeisti priedą nepažeistai. Patikrinus ir pakeitus priedą, nuo besisukančio priedo plokštės būtina pasitraukti toliau nei leistai žiūrovams arti jo stovėti. Po to elektrinį įrankį reikia įjungti ir leisti jam vieną minutę veikti didžiausiu greičiu. Šio patikrinimo metu, pažeisti priedai paprastai sulūžta.
- Dėvėkite asmenines apsaugos priemones. Priklausomai nuo darbo paskirties, naudokite veido kaukę, apsauginius didesnius akinius ar saugos akinius. Jei taikytina, dėvėkite kaukę nuo dulkių, ausų apsaugą, pirštines ir darbinę prijuostę, atlaikančią mažas, šlifavimo metu susidariusias ar nuo ruošinio daleles. Apsauginiai akiniai turi apsaugoti akis, kad į jas nepatektų įvairaus darbo operacijų metu skriejančių dalelių. Kaukė nuo dulkių ar dujųkaukė turi filtruoti darbo metu susidariusias daleles. Dėl neapsaugotų ausų nuo didelio triukšmo ilgesnį laiką, galite klausą prarasti.

- Įsitinkinkite, kad atstumas tarp įrankio ir pašalinių asmenų yra saugus. Visi asmenys, esantys darbo zonoje, privalo dėvėti asmenines apsaugos priemones. Dalelės nuo ruošinio ar sulūžusio priedo gali skrieti į šalis ir jus sužeisti, jei stovite šalia apdirbamo ruošinio.
- Elektrinį įrankį laikykite izoliavę sukibimo paviršius, kad darbo metu pjovimo įrankis nesusilieistų su paslėptais laidais ar paties įrankio laidu. Kontaktas su prijungtu prie maitinimo šaltinio laidu taip pat aktyvuoja metalines įrankio dalis ir gali sukelti operatoriui elektros smūgį.
- Laidą laikykite kuo toliau besisukančio įrankio priedo. Nesuvaldžius įrankio, jis laidą gali perpjauti ar jį užkabinti, bei jūsų ranką ar plaštaką įtraukti į besisukančią priedą.
- Niekada nedėkite įrankio žemyn, kol jo priedas visiškai nesustojo. Besisukantis įrankio priedas gali pagriebti paviršius ir dėl to galite įrankio nesuvaldyti.
- Elektrinį prietaisą nešdami šone, prieš tai jį išjunkite. Besisukančiam įrankio priedui atsitiktinai prisilietus prie Jūsų, jis gali pagriebti drabužius ir priedas gali būti įtrauktas į Jūsų kūną.
- Reguliariai valykite elektrinio įrankio oro ventiliacijos angeles. Variklio ventilatorius įsurbia į korpuso vidų dulkes ir per didelį susikaupusių metalo dalelių kiekis gali kelti su elektra susijusius pavojus.
- Nenaudokite elektrinio įrankio šalia degių medžiagų. Kibirkštys gali šias medžiagas uždegti.
- Nenaudokite tokių priedų, kuriems reikalingas aušinimo skystis. Naudojant vandenį ar kitą aušinimo skystį galima sukelti elektros smūgį ar nuo elektros žūti.

Įspėjimai dėl saugos, skirti tik šlifavimo ir abrazyvinio pjovimo darbams:

- Naudokite tik tokius diskų tipus, kurie rekomenduojami Jūsų elektriniam įrankiui ir kai pasirinktam diskui yra pagamintas specialus apsauginis gaubtas. Diskų, kuriems elektrinis įrankis nėra specialiai pritaikytas, negalima tinkamai apsaugoti, todėl jie nėra saugūs naudoti.
- Apsauginį gaubtą būtina tvirtai pritvirtinti prie elektrinio įrankio ir nustatyti saugiausioje padėtyje taip, kad būtų neuždengta tik mažiausia disko dalis prie operatoriaus. Apsauginis gaubtas apsaugo operatorių nuo atskilusių nuo disko dalelių ir atsitiktinio prisilietimo prie disko ir kibirkščių, kurios gali uždegti drabužius.
- Diskus galima naudoti tik rekomenduojamais darbams atlikti. Pavyzdžiui, nešlifukite nupjovimo disko šonu. Abrazyviniai nupjovimo diskai yra skirti periferiniam šlifavimui, dėl šiuos diskus veikiančių šoninių jėgų, jie gali sulūžti.
- Visada naudokite nepažeistas diskų junges, teisingo dydžio ir formos Jūsų pasirinktam diskui. Tinkamos diskų jungės atremia diską, dėl to sumažėja disko sulūžimo tikimybė. Nupjovimo diskų jungės gali skirtis nuo šlifavimo diskų jungių.



- **Nenaudokite nusidėvėjusių diskų nuo didesnių elektrinių įrankių.** Diskas, skirtas didesniam elektriniam įrankiui, nėra tinkamas didesnio greičio mažesniame įrankiui ir gali sulūžti.

Papildomi įspėjimai dėl saugos tik abrazyvinio pjovimo darbams:

- **Nedirbkite taip, kad nupjovimo diskas užsikirstų arba įrankio per stipriai nespaukite žemyn. Nebandykite pjauti per daug giliai.** Naudojant per didelę jėgą apkrova diskui padidėja, taip pat pjaunant diskas greičiau gali sulinkti, užsikirsti ar sulūžti, ar įvykti atatranka.
- **Nestovėkite vienoje linijoje su besisukančiu disku ar už jo.** Jei darbo metu diskas sukasi nuo kūno kryptimi, gali įvykti atatranka, kuri gali nusviesti besisukantį diską ir visą įrankį tiesiai į Jus.
- **Jei diskas užkliūna ar trukdo normaliam pjovimui dėl tam tikros priežasties, elektrinį įrankį išjunkite ir jį nejudindami laikykite tol, kol diskas visiškai nustoja sukstis. Diskui sukantis niekada nebandykite nupjovimo disko nuimti, nes sukelsite atatranką.** Nustatykite disko kirtimosi priežastis ir imkitės tinkamų veiksmų joms pašalinti.
- **Pjovimo metu įrankiui esant ruošinyje, įrankio iš naujo neužveskite. Leiskite diskui išvystyti visą greitį ir jį iš naujo atsargiai įveskite į įpjavą.** Jei elektrinį įrankį iš naujo užvesite diskui esant ruošinyje, diskas gali užkliūti, pasislinkti, ar atšokti atgal.
- **Dideles plokštes ar kitus labai didelius ruošinius paremkite, kad išvengtumėte disko suspaudimo ir atatrankos.** Dėl savo svorio dideli ruošiniai paprastai įlinksta. Atramas būtina padėti iš abiejų disko pusių po ruošiniu, šalia pjovimo linijos bei ruošinio kraštų.
- **Atlikdami vidinį pjovimą esančiose sienose ar kitose nematomose srityse, būkite ypač atsargūs.** Atsikišęs diskas gali nupjauti dujų ar vandens vamzdžius, elektros laidus ar objektus, kurie gali sukelti atatranką.

Atatranka ir su ja susiję įspėjimai

Atgalinis smūgis yra staigi reakcija į sugnybtą ar užkabintą besisukantį diską, pagalbinių padelių, šepetėlių ar bet koki kitą įrankio priedą. Sugnybus ar užkabinus, besisukantis priedas greitai prigesta, o dėl to nevaldomas įrankis atšoksta priešinga įrankio priedui sukimosi kryptimi sukibimo vietoje.

Pavyzdžiui, jei abrazyvinį diską sugnybia ar užkabina ruošinys, tas disko kraštas, kuris prisiliečia prie sugnybimo taško, gali įlysti į medžiagos paviršius, ir dėl to diskas išlenda ar iššoksta atgal. Diskas gali iššokti link operatoriaus arba nuo jo, priklausomai nuo sugnybimo taško disko sukimosi krypties. Tokiais atvejais, abrazyviniai diskai gali taip pat sulūžti.

Atatranka yra netinkamo naudojimo elektrinio įrankio ir (ar) klaidingo darbo proceso ar sąlygų rezultatas. Jos galima išvengti laikantis atitinkamų žemiau išdėstytų apsaugos priemonių.

- **Pjūklą tvirtai laikykite rankomis, o ranką ir kūną**

laikykite taip, kad jie išlaikytų atgalinio smūgio jėgą. Visada naudokite pagalbines rankenas (jei ji pridedama), kad atgalinį smūgį ar sukimo momentą užvedimo metu galėtumėte geriausiai suvaldyti. Jei operatorius laikosi tinkamų atsargumo priemonių, jis sukio reakcijos ar atgalinio smūgio jėgas gali suvaldyti.

- **Rankų niekada nedėkite šalia besisukančio įrankio priedo.** Priedas gali atšokti atgal į Jūsų ranką.
- **Nestovėkite tokioje zonoje, į kurią elektrinis įrankis atgalinio smūgio metu būtų nusiųstas.** Atgalinio smūgi metu po užkabinimo įrankis nustumiamas kryptimi, priešinga disko sukimuisi.
- **Apdirbdami kampus, smailius kraštus ir t. t., būkite ypač atsargūs. Stenkitės priedo neužkabinti ir neatlikti tokių veiksmų, kad priedas šokinėtų.** Kampai, smailūs kraštai ar šokinėjimas dažnai užkabina besisukantį įrankio priedą, ir dėl to įrankis nesuvaldomas ar įvyksta atgalinis smūgis.
- **Netvirtinkite grandininio pjūklo medžio drožinėjimo geležtės ar dantytos pjūklo geležtės.** Tokios geležtės dažnai sukelia atgalinį smūgį ar dėl jų įrankis nesuvaldomas.

NAUDOJIMO PASKIRTIS

- Šlifuoti metalą arba pjauti medžiagas, pvz., metalą arba akmenį.

Pastaba: Naudokite tik rekomenduojamas papildomas detales. Saugaus priedų naudojimo instrukcijos yra pridedamos prie priedo.

PRIEŽIŪRA

- Sugedusias detales keiskite tik originaliomis atsarginėmis detalėmis. Kitų detalių naudojimas gali sukelti pavojų ar sugadinti įrankį.
- Valydami plastines detales, nenaudokite tirpiklių. Komerciniai tirpikliai lengvai pažeidžia daugelį plastikinių detalių ir juos naudojant galima pakeisti plastines detales. Valydami purvą, dulkes, tepalus, alyvas ir t.t., naudokite švarias šluostes.
- Dirbdami su elektros prietaisų ar kai pučiamos dulksės, visada dėvėkite apsauginius akinius ar akinius su šonine apsauga. Jei darbo metu kyla dulksės, taip pat dėvėkite kaukę nuo dulkių.
- Baterijos paketo neišimęs iš produkto, kai jis valomas ar atliekami priežiūros darbai, galima rimtai susižeisti.
- Būkite atsargūs, kad ant plastikinių detalių nepatektų stabdžių skysčio, benzino, naftos turinčių produktų, tepalo ir pan. Juose yra chemikalų, kurie gali sugadinti, pakeisti arba susilpninti plastiką.
- Klientas gali remontuoti ar keisti tik tas detales, kurios nurodytos atsarginių detalių sąrašė. Visos kitos dalys turi būti pakeistos įgaliotame techninės priežiūros centre.



APLINKOS APSAUGA



Žaliavines medžiagas perdirbkite pakartotinai, o ne išmeskite kaip atliekas. Mechanizmas, priedai ir pakuotės turi būti laikomi pakartotinai perdirbti aplinkai nekenksmingu būdu.

ŽENKLAI



Pranešimas apie saugumą



GOST-R suderinimas



CE suderinimas



Atidžiai perskaitykite instrukcijas prieš pradėdami naudoti mechanizmą.



Dėvėkite klausos apsaugos priemones



Dėvėkite akių apsaugos priemones



Dėvėkite kaukę nuo dulkių.



Mūvėkite apsaugines rankų pirštines



Nenaudokite nuskilusio, įskilusio ar pažeisto šlifavimo disko



Nenaudokite pjovimui



Naudokite apsaugą



Metalas



Elektrinių produktų atliekos neturi būti metamos kartu su namų ūkio atliekomis. Prašome perdirbkite jas ten, kur yra tokios perdirbimo bazės. Dėl perdirbimo patarimo kreipkitės į savo vietinę savivaldybę ar pardavėją.

**OHUTUSE ERINÕUDED**

Lihvimis- ja abrasiivmahalõikeoperatsioonide tavaohuhoiatused:

- Seade on ette nähtud lihvimiseks või mahalõikamiseks. Lugege läbi kõik mehaanilise tööriista kohta esitatud ohuhoiatused ning tutvuge tööriista jooniste ja tehniliste andmetega. Allpool esitatud hoiatuste ja juhiste eiramise puhul on oht saada elektrilööki või raskeid kehavigastusi ning/või tekitada tulekahju.
- Tööriistaga ei soovitata teha metalli abrasiiv lihvimise, liivapaberiga lihvimise, traatharjaga puhastamise ja poleerimise abrasiiv. Operatsioonid, milleks tööriist ei ole ette nähtud, võivad luua ohuulokorra ja põhjustada kehavigastusi
- Ärge kasutage mingeid kettaid ja kettasarnaseid tööorganeid (edaspidi:tarvikuid), mis ei ole tööriista tootja poolt spetsiaalselt välja töötatud ja soovitatud. Asjaolu, et tarvik on võimalik mehaanilisele tööriistale kinnitada, ei taga selle tarvikuga töötamisel ohutust.
- Tarviku lubatud nimikiirus peab olema vähemalt võrdne mehaanilisele tööriistale märgitud maksimaalse kiirusega. Tarvikud, mis ületavad nendele ettenähtud kiiruse, võivad puruneda ja tükki lennata.
- Kasutatava tarviku välisläbimõõt ja paksus peab vastama teie tööriista nimiaandmetele. Valede mõõtmetega tarvikuid ei ole võimalik nõuetekohaselt turvata ja kontrolli all hoida.
- Ketaste, äärikute, tugipatjade ja muude tarvikute mõõtmised peavad mehaanilise tööriista spindli mõõtmega täpselt kokku sobima. Ketas, mille völliava ei sobi mehaanilise tööriista kinnitusvarustusega kokku, kaldub tasakaalust välja, hakkab tugevasti vibreerima ja võib kontrolli alt väljuda.
- Ärge kasutage vigastatud tarvikuid. Enne iga kasutamist kontrollige tarvikud, näiteks abrasiivkettad üle kildumisele ja pragunemisele, tugikettad pragunemisele ja kulumisele, traatharjad lahtistele ja murdunud harjastele. Kui mehaaniline tööriist või tööriist on maha kukkunud, siis vaadake tööriista vigastused üle või asendage uue tarvikuga. Pärast tarviku ülevaatamist ja paigaldamist hoidke ennast ning kõrvalseisjad pöörleva tarviku pöörlemistasapinnast eemal ja käituge tööriista ühe minuti jooksul maksimaalsel pöörlemiskiirusel ilma koormuseta. Vigastatud tarvik puruneb selle aja jooksul tavaliselt tükki.
- Kandke isikukaitsevahendeid. Olenevalt töö iseloomust kandke näovisiiri, kaitsemaski või kaitseprille. Vajaduse korral kandke tolmumaski, kuulmiskaitseid, kaitsekindaid ja kaitsepõlle, mis kaitsevad teid abrasiivkettast või toorikust lähtuvate osakeste eest. Silmakaitsevahendid peavad kaitsma töötlemisjääkide eest, mis erinevate tööoperatsioonide juures välja paiskuvad. Tolmumask või respiraator peavad tööoperatsioonidel tekkivaid osakesi piisavalt

filterreerima. Pikaajaline viibimine kõrge müratasemega piirkonnas võib põhjustada kuulmishäireid.

- Hoidke kõrvalised isikud tööpiirkonnast ohutul kaugusel. Iga tööpiirkonda siseneva peab kandma isikukaitsevahendeid. Tooriku töötlemisjäätmed või purunenud tarvikud võivad välja lennata ja põhjustada kehavigastusi ka väljapool vahetatud tööpiirkonda.
- Töötamisel kohtades, kus frees võib kokku puutuda varjatud elektrijuhtmete või toitejuhtmega, hoidke freemasinat kinni isoleeritud käepidemetest. Sattudes kontakti pingele all olevate juhtmetega, jäävad sae isoleerimata metallosad samuti pingele alla ja kasutaja võib saada elektrilöögi.
- Hoidke juhett pöörlevatest tarvikutest eemal. Kontrolli kadumise korral võite juhtme läbi lõigata või see võib haakuda ja teie käsi või käsivars võidakse tõmmata pöörleva tarviku vastu.
- Ärge pange tööriista enne maha, kui tarvik on täielikult peatunud. Pöörlev tarvik võib pinnaga haarduda ja selle tagajärjel võib tööriist väljuda teie kontrolli alt.
- Ärge käituge tööriista siis, kui te seda küljel hoiate. Juhuslik kontakt pöörleva tarvikuga võib põhjustada riietesse kinnijäämise ja selle tulemusena võib tarvik tungida teie kehasse.
- Puhastage regulaarselt tööriista ventilatsioonipilusid. Mootori ventilator tõmbab tolmu korpusesse ja metalliosakesi sisalduva tolmu kogunemine põhjustab elektrivooluga seotud ohtusid.
- Ärge kasutage tööriista süttivate materjalide läheduses. Sädemed võivad need materjalid süüdata.
- Ärge kasutage tarvikuid, mis nõuavad jahutusvedelike kasutamist. Kasutades vett või muud vedelikku jahutusvedelikud võivad põhjustada elektrilöögi või šokki.

Lihvimis- ja abrasiivmahalõikeoperatsioonide eriohuhoiatused:

- Kasutage ainult sellist tüüpi kettaid, mis on selle tööriista jaoks ette nähtud ja ainult neile spetsiaalselt ettenähtud kaitsekatteid. Kasutamiseks mitteettenähtud kettaid ei saa kattega kaitsta ja need ei ole ohutud.
- Kaitsekate peab olema tööriistale ohutult kinnitatud ja paigutatud maksimaalselt ohutuse saavutamiseks nii, et võimalikult väike osa kettast on kasutaja suunas nähtav. Kaitsekate aitab kaitsta kasutajat purunenud ketta tükide eest ja kokkupuutumisest ketta ning sädemetega, mis võivad süüdata riided.
- Kettaid tohib kasutada ainult neile ettenähtud otstarveteks. Näiteks ärge lihvige mahalõikeketta küljega. Abrasiiv-mahalõikekettad on ette nähtud läbilõikamiseks; kui neile rakendada küljõudusid, siis võivad need kildudeks puruneda.
- Kasutage valitud kettale mõõtmelt ja kujult sobivaid ning vigastamata kettaäärikuid. Õigesti valitud äärikud toetavad kettast ja vähendavad sellega



ketta purunemisohtu. Mahalõikeketta äärikud võivad erineda lihvketaste ääriketest.

- **Ärge kasutage suurte tööriistadest järelejäänud kulunud kettaid.** Suurte tööriistade kettad ei ole ette nähtud väikeste tööriistade suurte kiirustel, sest siis võivad need kettad puruneda.

Täiendavad ohuhoiatused abrasiivmahalõikeoperatsioonidel:

- **Ärge laske lõikekettal kinni jääda ega suruge sellele liigselt peale.** Ärge püüdke kasutada liiga suurt lõikesügavust. Liigse jõu avaldamine suurendab ketta koormust, väändumist või kinnijäämist lõiketees ning suurendab tagasilöögi või ketta purunemise tõenäosust.
- **Ärge seiske tööriista taga pöörleva ketta tasapinnas.** Kui ketas liigub oma tööpunkti kehast eemale, siis pöörleva ketta võimalik tagasilöök võib suunata tööriista otse teie suunas.
- **Kui ketas jääb kinni või lõikamine katkeb mingil muul põhjusel, lülitage tööriist välja ja hoidke seda liikumatuna seni, kui ketas täielikult seiskub.** Ärge püüdke võtta lõikeketast lõikekohast välja ketta pöörlemise ajal, muidu võib ilmneda tagasilöök. Uurige ketta kinnijäämise põhjus välja ja võtke meetmeid selle kõrvaldamiseks.
- **Ärge alustage lõikamisoperatsiooni uuesti siis, kui ketas on tooriku sees.** Laske kettal saavutada täiskiirus ja pange ketas uuesti lõikekohta. Kui lõikamist jätkata ilma, et ketas oleks välja võetud, siis võib see kinni jääda, üles tõusta või anda tagasilöögi.
- **Toetage lõigatavaid plaate ja suuremõtmelisi toorikuid, et minimeerida ketta kinnijäämise ning tagasilöögi ohtu.** Suurtel toorikutel on kalduvus oma raskuse all läbi vajuda. Toetage toorikuid altpoolt lõikejoone lähedal ja serva lähedal mõlemal pool lõikejoont.
- **Olge pesa lõikamisel seina sisse või varjatud kohtadesse ettevaatlik.** Väljuv ketas võib lõigata läbi gaasi- või veetoru, elektrijuhtmed või muud objektid ja need võivad põhjustada tagasilööki.

Tagasilöök ja sellega seotud hoiatused

Tagasilöök on ootamatu reaktsioon, mis järgneb pöörleva ketta, tugikettaga, terasharja või muu tarviku kinnijäämisele või haardumisele. Kinnikiilumine või haardumine põhjustab pöörleva tarviku kiire peatumise, mis omakorda põhjustab kinnijäämise punktis vastassuunaliste kontrollimatute jõudude mõjumise tarviku pöörlemisele vastassuunas.

Näiteks juhul, kui abrasiivketas on toorikuga haardunud või sellesse kinni jäänud, võib ketta sisenev serv kinnijäämise punktis materjali pinna sisse kaevuda ja põhjustada ketta väljalikumise või tagasilöögi. Ketas võib hüpata operatori suunas või temast eemale, sõltuvalt ketta liikumissuunast kinnijäämise punktist. Abrasiivkettad võivad selliste tingimuste korral puruneda.

Tagasilöök on tööriista väära kasutamise, ebaõigete tööviiside või tööks mittevastavate töötingimuste tulemus ja seda saab vältida altpool esitatud ettevaatusabinõude

rakendamisega.

- **Tagasilöögist tulenevate jõudude vastuvõtmiseks kasutage oma keha ja käsivart ning hoidke tööriistast tugevasti kinni.** Kasutage alati kompleksis olevat lisakäepidet, et hoida tagasilööki või puutereaktsioonist tingitud reaktsiooni kontrolli all. Operatoiril on võimalik puutereaktsioone ja tagasilöögist tekkivaid jõudusid hallata, kui selleks vastavaid meetmeid võtta.
- **Ärge hoidke mingil juhul oma kätt pöörleva tarviku läheduses.** Tarvik võib tagasilöögiga tabada teie kätt.
- **Ärge olge oma kehaga seal, kuhu tööriist võib tagasilöögi ajal liikuda.** Tagasilöök paiskab kinnijäämise kohas tööriista vastuspidsisse suunda ketta pöörlemisele.
- **Olge eriti ettevaatlik töötamisel nurkades, teravatel servadel jne. Vältige tarviku pörkumist ja kinnijäämist.** Nurkades ja teravatel servadel või pörkumisel on kalduvus pöörlevat tarvikut kinni kiiluda ja põhjustada sellega kontrolli kadumist või tagasilööki.
- **Ärge kinnitage tööriistale kettsaega ketast või hammastega saeketast.** Selliste ketaste kasutamisel ilmneb tihti tagasilööki ja kontrolli kadumist.

OTSTARBEKOHANE KASUTAMINE

- Metallil lõikamiseks ja materjalide, näiteks metallid ja kivi lõikamiseks.

Märkus: Kasutage ainult soovitatud tarvikuid. Tarvikute ohutusjuhised on tarvikutega kaasa antud.

HOOLDUS

- Kasutage teenindamisel ainult täpselt sobivaid varuosid. Muude osade kasutamine võib tekitada ohtuohukorra ja põhjustada seadme vigastumise.
- Vältige plastosade puhastamisel lahustite kasutamist. Enamik plaste on tundlikud erinevate kaubandusvõrgust saadaolevate lahustite suhtes ja võivad nende mõjul oma omadusi kaotada. Mustusest, tolmust, õlist, määrdet jne puhastamiseks kasutage puhast riidelappi.
- Töötamisel ja tolmu ärapuhumisel kandke alati silmamaski või küljekaitsetega kaitseprille. Kui töötlemine on tolmune, siis kandke tolmumaski.
- Raskete kehavigastuste vältimiseks võtke akupakett seadme puhastamise ja hooldamise ajaks alati välja.
- Ärge lubage mitte kunagi pidurivedelikel, bensiinil, petrooleumist valmistatud toodetel, immutusõlidel jne puutuda kokku plastikosadega. Kemikaalid võivad kahjustada, nõrgendada või hävitada plastiku, mis võib omakorda põhjustada vigastusi kasutajale.
- Kasutaja tohib vahetada või parandada ainult neid osi, mis on varuosade loetelus vastavalt tähistatud. Kõiki muid osi tohib vahetada ainult volitatud hoolduskeskuses.

**KESKONNAKAITSE**

Taaskasutage materjale nende jäätmekäitluse andmise asemel. Masin, selle lisaseadmed ja pakend tuleb jäätmekäitluseks keskkonnasõbralikult sorteerida.

SÜMBOLID

Ohutusala teave



GOST-R vastavus



CE vastavus



Enne seadme kasutamist lugege palun kasutusjuhend hoollega läbi.



Kandke kuulmise kaitsevahendeid



Kandke silmade kaitsevahendeid



Kandke tolmumaski.



Kandke turvakindaid



Ärge kasutage kildunud, pragunenud ja rikutud kettaid



Ärge kasutage löikamiseks



Kasutage kaitsekatet



Metall



Mittekasutatavaid elektritooteid ei tohi visata olmejäätmete hulka. Vaid tuleb viia vastavasse kogumispunkti. Vajadusel küsige sellekohast nõu oma edasimüüjalt või vastavalt kohaliku omavalitsuse institutsioonilt.

**POSEBNA SIGURNOSNA PRAVILA**

Česta sigurnosna upozorenja za radove brušenja i abrazivnog rezanja:

- Ovaj električni alat namijenjen je da radi kao brusilica ili rezni alat. Pažljivo pročitajte sva upozorenja, upute i specifikacije priložene uz alat i pogledajte crteže. Nepoštivanje svih uputa može dovesti do električnog udara, požara i / ili teške ozljede.
- Pomoću ovog električnog alata ne preporučuje se vršenje radova kao što su brušenje, brušenje žicom ili poliranje. Operacije za koju električni alat nije osmišljen predstavlja opasnost i prouzročiti ozljede.
- Ne koristite dodatke koji nisu namijenjeni ovom alatu i koji nije preporučio proizvođač. Samo zato što pribor može biti priključen na vaš električni alat, to ne osigurava siguran rad.
- Okretaja od pribora mora biti najmanje jednaka maksimalnu brzinu označen na električni alat. Dodaci koji rade na višim brzinama od njihove nominalne brzine mogu se slomiti ili izletjeti s alata.
- Vanjskog promjera i debljine vašeg pribora mora biti unutar ocjenjivanja sposobnosti vašeg uređaja. Pogrešno veličine pribor se ne može adekvatno čuvano ili kontrolirati.
- Brusevi, brusne ploče, podložne pločice ili drugi dodaci moraju savršeno prianjati na otvor tijela alata. Dodaci koji ne odgovaraju tijelu na koje ih je potrebno ugraditi neće se dobro okretati, pretjerano će vibrirati te postoji mogućnost da izgubite nadzor nad alatom.
- Nemojte koristiti oštećeni pribor. Prije svake upotrebe provjerite jesu li svi dodaci koje koristite u dobrom stanju: provjerite da brusne ploče nisu oštećene ili okrnute, da podložne pločice nisu polomljene ili pohabane, da niti metalne četke nisu previše istrošene ili polomljene. Ako je AKU alat ili pribor pao, provjerite štetu ili ugradite neoštećen pribor. Ako je potrebno, stavite i masku protiv prašine, zaštitu od buke, rukavice i zaštitnu ploču kako biste se zaštitili od izlijetanja dijelova komada kojeg obrađujete (brusni dijelovi, komadići drveta itd.). Ako je dodatak oštećen, tijekom ove provjere će se slomiti.
- Nosite osobnu zaštitnu opremu. Ovisno o primjeni, koristite lice štit, zaštitne naočale i zaštitne naočale. Ako je potrebno, stavite i masku protiv prašine, zaštitu od buke, rukavice i zaštitnu ploču kako biste se zaštitili od izlijetanja dijelova komada kojeg obrađujete (brusni dijelovi, komadići drveta itd.). Zaštita očiju mora biti sposoban zaustavljanja letjećih krhotina generirani od strane različitih operacija. Maska protiv prašine filtrirat će prašinu koja se stvara tijekom rada. Duže izlaganje jakoj buci može dovesti do gubitka sluha.
- Držite nazočnima sigurno udaljenosti od područja rada. Svatko tko bi stupio u radno područje, mora nositi osobnu zaštitnu opremu. Krhotine izratka ili

slomljena mogu odletjeti i uzrokovati ozljede i izvan neposrednog područja djelovanja.

- **Alat držite na izoliranim i protukliznim dijelovima ako radite na podlozi koji bi mogla sakriti električne žice.** Uvijek upotrebljavajte vodilicu paralelnog piljenja ili ravnu letvu dok obavljate paralelno rezanje.
- **Kabel napajanja uvijek postavite tako da bude udaljen od dijela alata koji se vrti.** Ako izgubite nadzor nad uređajem, kabel napajanja može biti presječen ili se zaplesti i povući vašu šaku ili ruku prema rotirajućem dijelu alata.
- **Nikad ne odlažite alat prije nego što se pokretni dijelovi sasvim ne zaustave.** Predenje alata mogu zgrabite i povucite površinu uređaja izvan vaše kontrole.
- **Ne uključujte alat dok ga prevozite.** Rotirajući dodatak može se zaplesti u vašu odjeću i ozbiljno vas ozlijediti.
- **Redovno čistite ventilacijske otvore alata.** Kroz ventilacijske otvore u unutrašnjost kućišta motora može dospjeti prašina što može uzrokovati pretjerano nakupljanje metalnih komadića i uzrokovati strujni udar.
- **Ne koristite uređaj u blizini zapaljivih tvari.** U slučaju odskakivanja, alat se odbacuje u smjeru suprotnom od smjera rotacije ploče.
- **Ne koristite pribor koji zahtijevaju tekućih sredstava za hlađenje.** Korištenje vode ili druge tekućine rashladne može dovesti do električnog udara.

Specifična sigurnosna upozorenja za radove brušenja i abrazivnog rezanja:

- **Koristite samo vrste kotača koji se preporučuju za vaš električni alat i posebni štitnik namijenjen za odabrani kotač.** Rezna ploče koje nisu namijenjene za električni alat ne mogu se odgovarajuće zaštititi i nisu sigurni.
- **Štitnik mora biti čvrsto postavljen i pozicioniran na električni alat radi maksimalne sigurnosti, tako da je minimalna količina kotača izložena prema rukovatelju.** Štitnik pomaže zaštititi rukovatelja od dijelica slomljene ploče, slučajnog kontakta s pločom te od iskri koje mogu zapaliti odjeću.
- **Kotači se moraju koristiti samo za preporučene primjene. Na primjer, nemojte brusiti s bočnom stranom reznog kotača.** Abrazivne rezne ploče namijenjene su za površinsko brušenje, primjena bočnih sila na ove kotače može dovesti do njihovog pucanja.
- **Za vaš odabrani kotač uvijek koristite neoštećene prirubnice kotača koje su točne veličine i oblika.** Pravilna prirubnica kotača podupire kotač te stoga smanjuje mogućnost lomljenja kotača. Prirubnice za rezne kotače mogu se razlikovati od prirubnica za brusne kotače.
- **Nemojte koristiti istrošene kotače za alate velike snage.** Kotač namijenjen za alat velike snage nije prikladan za velike brzine manjeg alata i može prsnuti.

Dodatna sigurnosna upozorenja specifična za radove abrazivnim rezanjem:



- **Nemojte „zaglavljivati“ reznu ploču ili primjenjivati prekomjerni pritisak. Nemojte pokušavati učiniti pređubok rez.** Prekomjerno naprezanje ploče povećava opterećenje i mogućnost uvrtanja ili savijanja ploče prilikom reza i mogućnost povratnog udara ili pucanje ploče.
- **Nemojte postavljati tijelo u liniju s i iza ploče za rezanje.** Kad se rezna ploča, u točki rada odmiče od vašeg tijela, može doći do mogućeg povratnog udara rotirajuće ploče i električnog alata prema vama.
- **Kad se rezna ploča savije ili kod prekida reza iz bilo kojeg razloga, isključite električni alat i držite alat bez kretanja kako bi se rezna ploča potpuno zaustavila.** Nikada ne pokušavajte ukloniti reznu ploču iz reza dok je ploča u pokretu, u suprotnom može doći do povratnog udara. Istražite i poduzeti korektivne akcije kako bi se uklonili uzrok kotača obvezujuće.
- **Nemojte ponovno pokretati radnju rezanja u izratku. Neka rezna ploča dostigne punu brzinu i pažljivo ponovno nastavite rezati.** Ploča se može saviti, isključiti ili odskočiti unatrag ako se električni alat ponovno pokreće u izratku.
- **Poduprite ploče ili bilo koji izradak velikih dimenzija kako biste smanjili prignječenje i povratni udar rezne ploče.** Veliki izraci se uvijaju pod svojom vlastitom težinom. Potpornji se moraju postaviti ispod izratka na obim stranama, blizu crte rezanja i pored ruba izratka.
- **Budite izrazito oprezni kada radite „prividni rez“ u postojećim zidovima ili područjima u kojima ne vidite rez.** Ploča koja izviruje može odrezati cijevi od plina ili vode, električne žice ili predmete koji mogu uzrokovati povratni udar.

Upozorenja na povratni udar i druge vezane opasnosti

Bakšiš je iznenadna reakcija ili kvrgav stegnut rotirajućeg kotača, prateći pad, četkom ili bilo koji drugi pribor. Štipanje ili snagging uzroka brzog odugovlačenje od rotirajućeg pribora što opet uzrokuje nekontrolirani uređaja biti prisiljeni u smjeru suprotno od dodatne opreme rotacije na mjestu vezanja.

Na primjer, ako je brusna ploča kvrgava ili prignječena od strane izratka, rub kotača koji ulazi u točnu prignječenja se može zakopati u površinu materijala uzrokujući da se kotač popne iz prignječenja ili iskoči. Kotača ili može skočiti prema ili od operatora, ovisno o smjeru kotača pokreta na mjestu štipanje. U slučaju odskakivanja može doći i do lomljenja brusne ploče.

Odskakivanje je dake rezultat loše uporabe alata i/ili nepravilnih postupaka ili uvjeta upotrebe. Može ga se izbjeći ako se poštuju neke mjere opreza:

- **Održavati čvrst zahvat na električni alat i položaj vašeg tijela i ruke kako bi vam omogućiti da se odupre silama povratnog udara.** Ako alat ima pomoćnu ručku, svakako je držite kako biste imali optimalni nadzor nad alatom u slučaju odskakivanja ili da možete odgovarajuće reagirati u trenutku uključivanja uređaja. Poduzmite potrebne mjere kako

biste alat mogli kontrolirati u slučaju odskakivanja ili jakog okretnog momenta.

- **Nikada ne stavljajte ruku u blizini rotirajuće pribor.** Alata mogu bakšiš preko vaše ruke.
- **Ne poziciju vaše tijelo na području gdje se električni alat će se pomaknuti ako dođe do povratnog udara.** Bakšiš će pokrenuti alat u smjeru suprotnom kotača pokreta na mjestu snagging.
- **Koristite posebna njega kod rada kutova, oštih rubova i sl. Nemojte alat zaglavljivati ili ispuštati iz ruku.** Uglovi, oštih rubova i odskakanje imaju tendenciju da uloviti rotirajuće pribor i dovesti do gubitka kontrole ili povratnog udara
- **Ne lijepite vidio lanac woodcarving pile ili nazubljeni list pile.** Takve oštrice povećavaju rizik od odskakivanja i gubitka nadzora na alatom.

NAMJENA

- Brušenje metala ili rezanje materija poput metal ili kamen.

Napomena: Koristite se samo preporučenim dodatnim priborom. Upute za sigurno korištenje dodatnog pribora uključene su s dodatnim priborom.

ODRŽAVANJE

- Prilikom servisiranja koristite samo identične zamjenske dijelove. Korištenje nekih drugih dijelova može dovesti do opasnosti ili uzrokovati oštećenje alat.
- Prilikom čišćenja plastičnih dijelova izbjegavajte koristiti kemijska sredstva. Većina plastika je podložna oštećenju od različitih vrsta komercijalnih kemijskih sredstava za čišćenje i mogu se oštetiti prilikom njihovog korištenja. Za uklanjanje prljavštine, prašine, ulja, masnoće itd., koristite čistu krpu.
- Uvijek tijekom rada s proizvodom ili prilikom ispuhivanja prašine nosite zaštitne naočale i zaštitne naočale s bočnim štitnicima. Ako radite u prašini nosite i masku za zaštitu od prašine.
- Za izbjegavanje ozbiljnih ozljeda uvijek uklonite bateriju iz proizvoda prilikom čišćenja ili izvođenja bilo kakvog održavanja.
- Plastični dijelovi nikad ne smiju doći u dodir s kočionom tekućinom, benzinom, proizvodima na bazi nafte, uljima itd. Kemikalije mogu oštetiti, oslabiti ili uništiti plastiku što može dovesti do ozbiljnih osobnih ozljeda.
- Samo dijelovi koji su prikazani na popisu dijelova su namijenjeni da budu popravljivi ili zamijenjeni od strane korisnika. Svi drugi dijelovi trebaju biti zamijenjeni od strane ovlaštenog servisnog centra tvrtke.

**ZAŠTITA OKOLIŠA**

Sirovine reciklirajte, umjesto da ih odlažete kao otpad. Kako biste zaštitili okoliš, alat, dodatke i ambalažu treba odvojeno baciti u otpad.

SIMBOLI

Sigurnosno upozorenje



Sukladno GOST-R



Sukladno CE



Molimo da pažljivo pročitate upute prije pokretanja stroja.



Nosite zaštitu za sluh



Nosite zaštitu za vid



Nosite masku protiv prašine.



Nosite zaštitne rukavice



Nemojte koristiti zarezanu, puknutu ili oštećenu brusnu ploču



Nemojte koristiti za rezanje



Koristite štitnik



Metal



Otpadni električni proizvodi ne treba da se odlažu s otpadom iz domaćinstva. Molimo da reciklirate gdje je to moguće. Potražite savjet od lokalnih vlasti ili prodavca kako reciklirati.

**SPECIFIČNA VARNOSTNA PRAVILA**

Varnostna opozorila za brušenje in brusilno rezanje:

- **To električno orodje je zasnovano kot orodje za brušenje ali rezanje. Preberite vsa varnostna opozorila, navodila, ilustracije in specifikacije, ki so priložene temu električnemu orodju.** Če ne upoštevate opozoril in navodil, lahko pride do električnega udara, ognja in/ali hudih poškodb.
- **Orodja ni priporočljivo uporabljati za brušenje z brusilnim papirjem, žično brušenje ali poliranje.** Operacije, za katere električno orodje ni bilo predvideno, so lahko tvegane in lahko povzročijo telesne poškodbe.
- **Ne uporabljajte dodatkov, ki jih proizvajalec orodja izrecno ne priporoča.** Samo dejstvo, da je dodatek mogoče priključiti na vaše električno orodje, ne zagotavlja varnega delovanja.
- **Označena hitrost dodatka mora biti najmanj enaka maksimalni hitrosti, označeni na električnem orodju.** Dodatki, ki delujejo hitreje, kot je njihova označena hitrost, se lahko polomijo in razletijo.
- **Zunanji premer in debelina vašega dodatka morata biti znotraj oznake zmogljivosti vašega električnega orodja.** Dodatek nepravilne velikosti ne boste mogli ustrezno nadzorovati.
- **Velikost nastavka na kolesih, prirobnicah, podpornih blazinicah ali katerihkoli drugih dodatkih se mora ujemati z vretenom električnega orodja.** Dodatki z odprtino nastavka, ki ne ustreza okovju za pritrditev električnega orodja, bodo izgubili ravnotežje ali preveč vibrirali in lahko nad njimi izgubite nadzor.
- **Ne uporabljajte poškodovanih dodatkov.** Pred vsako uporabo preglejte dodatke: preverite, če so na brusnih kolesih okrušena mesta ali razpoke, na podpornih blazinicah razpoke, raztrganine ali prevelika obraba oz. na žičnih ščetkah nepritrjene ali polomljene žice. Če vam električno orodje ali dodatek padeta iz rok, preverite, ali sta se morda poškodovala, oz. namestite nepoškodovan dodatek. Potem ko ste pregledali in namestili dodatek, poskrbite, da boste vi sami in morebitne druge osebe stali dovolj stran od vrtečega se dodatka, ter poženite električno orodje s polno hitrostjo brez obremenitve za eno minuto. Poškodovani dodatki običajno v takem testnem času odletijo.
- **Nosite osebno varovalno opremo.** Glede na uporabo orodja nosite obrazno masko in varnostna očala. Po potrebi nosite proti-prašno masko, zaščito za sluh, rokavice in delovni predpasnik, ki lahko zadrži drobne ostanke brušenja ali drobne delce obdelovanca. Očesna zaščita mora biti zadostna, da ustavi leteče drobce, ki nastajajo pri različnih operacijah. Proti-prašna maska ali dihalni aparat morata biti sposobna filtriranja delcev, ki nastajajo pri vašem delu. Daljša izpostavljenost zelo intenzivnemu hrupu lahko povzroči okvaro sluha.
- **Pazite, da bodo morebitni gledalci dovolj oddaljeni od delovnega območja.** Vsaka oseba, ki vstopi v

delovno območje, mora nositi sredstva za osebno zaščito. Delci obdelovanega kosa ali odlomljen dodatek lahko poleti po zraku in povzroči poškodbe izven neposrednega območja dela.

- **E obstaja možnost, da rezalno orodje zadene ob skrito žico električne napeljave ali ob svoj kabel, ga držite tako, da se dotikate le izoliranih držalnih površin.** Pri stiku z žico pod napetostjo pridejo pod napetost tudi izpostavljeni kovinski deli in stresejo uporabnika orodja.
- **Umaknite kabel od vrtečih se dodatkov.** Če izgubite nadzor nad orodjem, lahko le-to prereže kabel ali se zaplete in vašo roko lahko potegne v vrteči se dodatek.
- **Nikoli ne odlagajte električnega orodja, dokler se dodatek ni popolnoma ustavil.** Vrteči se dodatek lahko zgrabi površino in izgubili boste nadzor nad orodjem.
- **Ne vključujte električnega orodja, kadar ga nosite ob telesu.** Vrteče se orodje lahko nehote pride v stik z vašim oblačilom in potegne dodatek proti vam.
- **Redno čistite zračne odprtine na električnem orodju.** Ventilator motorja bo potegnil prah v ohišje, preveliko nabiranje kovinskega prahu pa lahko povzroči električno tveganje.
- **Ne uporabljajte električnega orodja v bližini vnetljivih materialov.** Zaradi iskrice se ti materiali lahko vžgejo.
- **Ne uporabljajte dodatkov, pri katerih je potreba hladilna tekočina.** Pri uporabi vode ali drugih hladilnih tekočin lahko pride do električnega udara.

Varnostna opozorila, specifična za brušenje in brusilno rezanje:

- **Uporabljajte le vrste kolotov, ki so priporočene za vaše orodje in specifična varovala, ki so zasnovana za izbrani kolot.** Kolotov, za katere orodje ni bilo izdelano, ni mogoče ustrezno zaščititi, zato jih ni varno uporabljati.
- **Varovalo mora biti trdno pritrjeno na orodje in nameščeno v takem položaju, da zagotavlja najboljšo zaščito tako, da je upravljavcu izpostavljen čim manjši del koluta.** Varovalo pomaga varovati upravljavca pred drobci koluta, nenamernim stikom s kolutom in iskrami, ki bi lahko vnele oblačila.
- **Kolute smete uporabljati le za priporočeno uporabo.** Zato, na primer, ne brusite s stranjo rezilnega koluta. Abrazivni rezalni koluti so namenjeni obrobnemu brušenju; stranske sile, ki delujejo na kolute lahko povzročijo, da se koluti zdrobijo.
- **Vedno uporabljajte nepoškodovane prirobnice kolotov pravilne velikosti in oblike za izbrani kolot.** Ustrezne prirobnice kolotov podpirajo kolot in tako zmanjšujejo možnost, da se kolot zlomi. Prirobnice rezilnih kolotov so lahko drugačne od prirobnic brusilnih kolotov.
- **Ne uporabljajte obrabljenih kolotov večjih orodij.** Koluti, namenjeni za uporabo z večjimi orodji, niso primerni za višje hitrosti manjših orodij in se lahko



razletijo.

Dodatna varnostna opozorila za brusilno rezanje:

- **Rezalnega koluta ne zagozdite in ne pritiskajte premočno. Ne poskušajte prekomerno zarezati v globino.** Prekomeren pritisk na kolut poveča obremenjenost in s tem dovzetnost za upogibanje ali zvijanje koluta v rezu ter možnost povratnega udarca ali zloma koluta.
- **Telesa ne postavljajte v linijo z vrtečim se kolutom ali za kolut.** Ko se kolut med delovanjem pomika proč od vašega telesa, lahko možen povraten udarec vrže vrteči se kolut in orodje naravnost v vas.
- **Če se kolut upogiba ali če rezanje prekinete zaradi kateregakoli vzroka, izklopite orodje in ga držite v mirovanju, dokler se kolut popolnoma ne ustavi.** Rezalnega koluta nikoli ne poskušajte odstraniti iz reza, medtem ko se kolut premika, saj lahko pride do povratnega udarca. Preiščite situacijo in ukrepajte tako, da boste odstranili vzrok za ustavitev kolesa.
- **Rezanja obdelovanca ne začnite znova. Kolut naj doseže polno hitrost, nato pa previdno ponovite rez.** Kolut se lahko upogne, nenadzorovano premakne ali udari nazaj, če električno orodje ponovno zaženete v obdelovancu.
- **Plošče ali prevelike obdelovance ustrezno podprite, da zmanjšate tveganje za stiskanje koluta in povratni udarec.** Veliki obdelovanci se lahko zaradi svoje lastne teže upognejo. Podpore morajo biti nameščene pod obdelovane na obeh straneh, blizu linije rezanja in na robu obdelovanca.
- **Pri potopnem rezanju v obstoječo steno ali druge polne površine bodite posebej pazljivi.** Štrleči del koluta lahko reže plinske ali vodne cevi, električne žice ali predmete, ki lahko povzročijo povratni udarec.

Opozorila glede povratnih udarcev in podobnih primerov

Povratni udarec je nenadna reakcija zataknjenega ali zagozdenega vrtečega se kolesa, podporne blazinice, krtače ali kateregakoli drugega dodatka. Zagozdenje ali zatikanje povzroči nenadno blokado vrtečega se dodatka, ki zaradi tega povzroči nekontrolirano premikanje električnega orodja v nasprotno smer od rotacije dodatka.

Na primer, če se brusno kolo zatakne ali zagozdi na obdelovancu, se lahko rob kolesa, ki vstopa v točko zatikanja, zakopje v površino materiala, kar povzroči, da se kolo nenadoma pomakne ali skoči navzven. Kolo lahko poskoči proti uporabniku ali proč od njega, odvisno od smeri premikanja kolesa v trenutku zagozditve. Brusna kolesa lahko v takih pogojih tudi počijo.

Izognemo se mu lahko tako, da upoštevamo ustrezne previdnostne ukrepe, ki so navedeni v nadaljevanju.

- **Trdno držite električno orodje in postavite svoje telo in roko tako, da boste lahko kljubovali sili povratnega udarca. Vedno uporabljajte pomožni ročaj, če je na voljo, saj boste imeli na ta način večji nadzor nad povratnim udarcem ali protivrtlilnim momentom v času zagona.** Uporabnik lahko nadzira

protivrtlilni moment ali silo povratnega udarca, če se je nanje pravilno pripravil.

- **Nikoli ne približujte roke vrtečemu se dodatku.** Dodatek lahko zaradi povratnega udarca sune v vašo roko.
- **Ne postavljajte se s telesom v območje, kamor se bo premaknilo električno orodje, če pride do povratnega udarca.** Povratni udarec bo potisnil orodje v nasprotni smeri od premikanja kolesa v trenutku zagozditve.
- **Posebej bodite previdni pri obdelavi vogalov, ostrih robov itd. Izogibajte se poskakovanju in zaletavanju dodatka.** Zaradi vogalov, ostrih robov ali poskakovanja se lahko vrteči se dodatek zaleti, zaradi česar izgubite nadzor nad njim ali pride do povratnega udarca.
- **Ne pritrjujte verižne žage, rezila za obdelavo lesa ali zobatega rezila žage.** Taka rezila pogosto povzročijo povratni udarec in izgubo nadzora.

NAMEN UPORABE

- Brušenje kovin ali rezanje materialov, kot so kovine ali kamen.

Opomba: Uporabljajte le priporočene dodatke. Navodila za varno uporabo dodatkov so priložena dodatku samem.

VZDRŽEVANJE

- Ob servisiranju uporabljajte samo identične nadomestne dele. Uporaba drugih delov lahko pomeni tveganje ali povzroči škodo na izdelku.
- Pri čiščenju plastičnih delov se izogibajte topilom. Večina vrst plastike se poškoduje, če uporabljate različne vrste komercialnih topil. Uporabite čiste krpe za odstranjevanje prahu, umazanije, olja, masti itd.
- Med upravljanjem stroja ali ko pihate prah, vedno nosite zaščitna očala ali očala s stransko zaščito. Če pri delu nastaja prah, nosite tudi zaščitno masko proti prahu.
- Da se izognete resnim telesnim poškodbam med vsakršnim postopkom čiščenja in vzdrževanja, iz naprave vedno odstranite baterije.
- Ne dovolite, da bi zavorne tekočine, gorivo, izdelki, ki vsebujejo petrolej, penetracijska olja in podobno kadarkoli prišli v stik s plastičnimi deli. Kemikalije lahko poškodujejo, oslabijo ali uničijo plastiko, kar lahko ima za posledico tudi resne telesne poškodbe.
- Uporabnik lahko zamenja samo rezervne dele, ki so navedeni na seznamu delov, ki jih lahko zamenja ali popravlja uporabnik sam. Vse druge rezervne dele je treba zamenjati v pooblaščenem servisnem centru.

**ZAŠČITA OKOLJA**

Namesto, da napravo zavržete, reciklirajte surovine. Napravo, pribor in embalažo je treba sortirati za okolju prijazno recikliranje.

SIMBOLI

Varnostni alarm



Skladnost GOST-R



Skladnost CE



Prosimo, da si pred zagonom naprave pozorno preberete navodila



Nosite zaščito za ušesa



Nosite zaščito za oči



Nosite protiprašno masko.



Nosite zaščitne rokavice



Ne uporabljajte odkrušenih, počenih ali poškodovanih brusilnih kolutov



Ne uporabljajte za rezanje



Uporabite varovalo



Kovina



Odpadne električne izdelke ne odlagajte skupaj z ostalimi gospodinjstvi odpadki. Reciklažo opravljajte na predpisanih mestih. Za nasvet se obrnite na lokalne oblasti.

**ŠPECIÁLNE BEZPEČNOSTNÉ PRAVIDLÁ**

Bezpečnostné výstrahy špecifické pre brúsenie a abrazívne rozbrusovanie:

- Tento nástroj slúži ako brúska alebo rozbrusovačka. **Prečítajte si všetky výstrahy, pokyny, vyobrazenia a špecifikácie dodané k tomuto elektrickému nástroju.** Pri nedodržaní týchto výstrah a pokynov môže dôjsť k úrazu elektrickým prúdom, požiaru a/alebo závažnému poraneniu
- **S týmto elektrickým nástrojom sa neodporúča vykonávať operácie ako pieskovanie, brúsenie drôteným kotúčom alebo leštenie.** Pri vykonávaní operácií, pre ktoré nie je tento elektrický nástroj určený, vzniká riziko vzniku poranenia osôb.
- **Nepoužívajte príslušenstvo, ktoré nie je konkrétne určené a odporúčané výrobcom náradia.** To, že príslušenstvo sa dá nasadiť na váš elektrický nástroj, ešte neznamená, že bude pri tom zaistená bezpečná prevádzka.
- **Menovitá rýchlosť príslušenstva môže byť maximálne rovnaká maximálnej rýchlosti vyznačenej na elektrickom náradí.** Príslušenstvo pracujúce na vyššej ako svojej menovitej rýchlosti, sa môže rozbiť a rozpadnúť.
- **Vonkajší priemer a hrúbka vášho príslušenstva musí byť v rozmedzí menovitej kapacity elektrického náradia.** Príslušenstvo nepravnej veľkosti nie je možné primerane viesť a ovládať.
- **Veľkosť trňa kotúčov, prírub, oporných podložiek či akéhokoľvek iného príslušenstva, musí správne sadnúť na vreteno elektrického náradia.** Príslušenstvo, ktoré nie je určené na hriadeľ náradia na ktoré je namontované, sa neatáča správne, vibruje príliš a môže spôsobiť stratu kontroly nad náradím.
- **Nepoužívajte poškodené príslušenstvo.** Pred každou kontrolou príslušenstva, napríklad abrazívnych kotúčov, skontrolujte, či neobsahuje úlomky alebo praskliny, oporné podložky, nie sú zoderaté alebo nadmerne opotrebované, drôtené kotúče, či nie sú uvoľnené alebo nemajú popraskané vlákna. Ak elektrické náradie alebo príslušenstvo spadnú, skontrolujte prípadné poškodenie alebo namontujte nepoškodené príslušenstvo. Po skontrolovaní a namontovaní príslušenstva sa postavte vy aj okolostojaci mimo roviny rotujúceho príslušenstva a na jednu minútu spustíte elektrický náradie na maximálnu rýchlosť bez záťaže. Poškodené príslušenstvo sa zvyčajne počas tohto testu rozpadne.
- **Používajte osobné ochranné prostriedky.** V závislosti od použitia používajte chránič na tvár, ochranné alebo bezpečnostné okuliare. Podľa potreby používajte protiprachovú masku, chrániče sluchu, rukavice a pracovnú zásteru schopnú zachytiť malé úlomky brusiva alebo obrobru. Chránič zraku musí byť schopný zastaviť odletujúce úlomky vytvárané pri rôznych úkonoch. Protiprachová maska alebo respirátor musia byť schopné filtrovať

častočky vytvárané pri vašej činnosti. Dlhodobé vystavovanie hluku môže spôsobiť stratu sluchu.

- **Okolostojacich udržiavajte v bezpečnej vzdialenosti od pracoviska.** Každá osoba, ktorý vstúpi do oblasti pracoviska, musí mať osobné ochranné pomôcky. Úlomky obrobru alebo poškodené príslušenstvo môže odletieť a spôsobiť poranenie aj mimo bezprostredného miesta práce.
 - **Pri vykonávaní operácie, kedy môže rezací nástroj prísť do kontaktu so skrytým vedením alebo vlastným káblom, držte nástroj za izolované úchopné miesta.** Pri kontakte so „živým“ vodičom budú obnažené kovové diely elektrického náradia pod prúdom a spôsobia používateľovi úder.
 - **Kábel umiestnite mimo dosahu rotujúceho príslušenstva.** Ak stratíte kontrolu, kábel sa môže prerezať alebo zachytiť a vašu ruku alebo rameno môže vtaiahnuť do otáčajúceho sa príslušenstva.
 - **Nikdy elektrický nástroj neodkladajte, kým sa príslušenstvo úplne nezastavilo.** Otáčajúce sa príslušenstvo môže zachytiť a stiahnuť elektrické náradie mimo vašej kontroly.
 - **Nikdy nespúšťajte elektrické náradie, keď ho nosíte na boku.** Pri náhodnom kontakte s otáčajúcim sa príslušenstvom by vám mohlo zachytiť odev a stiahnuť príslušenstvo smerom na vaše telo.
 - **Pravidelne čistite vzduchové prieduchy elektrického náradia.** Ventilátor motora vťahuje prach dovnútra a nadmerné nahromadenie práškového kovu môže spôsobiť ohrozenie elektrickým prúdom.
 - **Nepracujte s elektrickým náradím v blízkosti zápalných materiálov.** Iskry mohli spôsobiť vznietenie týchto materiálov.
 - **Nepoužívajte príslušenstvo, ktoré vyžadujú tekuté chladivá.** Pri použití vody alebo iného tekutého chladiva by mohlo dôjsť k usmrteniu alebo úderu elektrickým prúdom.
- Bezpečnostné výstrahy špecifické pre brúsenie a abrazívne rozbrusovanie:**
- **Používajte len typy kotúčov odporúčané pre váš elektrické náradie a špecifický ochranný kryt pre zvolený kotúč.** Kotúče, pre ktoré nie je tento elektrické náradie určené, nie je možné primerane viesť a nie sú bezpečné.
 - **Ochranný kryt musí byť bezpečne nasadený na elektrickom náradí a v polohe zaručujúcej maximálnu bezpečnosť, aby smerom k obsluhujúcemu bola vystavená čo najmenšia časť kotúča.** Kryt chráni obsluhujúceho pred úlomkami poškodeného kotúča, náhodným kontaktom a iskrami, ktoré by mohli spôsobiť vznietenie odevu.
 - **Kotúče možno používať len pre odporúčané aplikácie.** Napríklad, nebrúste s bočnou stranou rozbrusovacieho kotúča. Abrazívne rozbrusovacie kotúče sú určené pre periférne brúsenie, inak by bočné sily aplikované na tieto kotúče mohli zapríčiniť ich rozlomenie.



- **Vždy používajte nepoškodené príruby kotúčov správnej veľkosti a tvaru pre váš zvolený kotúč.** Správne príruby kotúčov podopierajú kotúč, a tým znižujú pravdepodobnosť zlomenia kotúča. Príruby pre rozbrusovacie kotúče môžu byť odlišné od prírub pre brusné kotúče.
- **Nepoužívajte vydraté kotúče z väčších elektrických nástrojov.** Kotúče určené pre väčšie elektrické náradie nie sú vhodné pre vyššie rýchlosti menšieho náradia a môžu prasknúť.

Ďalšie bezpečnostné výstrahy špecifické pre abrazívne rozbrusovanie:

- **Dbajte na to, aby nedošlo k „zaseknutiu“ rozbrusovacieho kotúča ani naň nevyvíjajte nadmerný tlak. Nevykonávajte rezy nadmernej hĺbky.** Pretažovanie kotúča zvyšuje zaťaženie a náchylnosť ku skrúteniu alebo zovretiu kotúča v reze a pravdepodobnosť spätného nárazu alebo prasknutia kotúča.
- **Nepribližujte sa telom do línie a za otáčajúci sa kotúč.** Keď sa kotúč v bode operácie pohybuje smerom od vášho tela, prípadný spätný náraz môže odhodit otáčajúci sa kotúč a elektrický nástroj priamo do vás.
- **Keď sa kotúč zoviera alebo sa rezanie z akéhokoľvek dôvodu preruší, vypnite elektrický nástroj a podržte ho nehybne, kým sa kotúč úplne nezastaví. Nikdy sa nepokúšajte vybrať rozbrusovací kotúč z rezu, kým sa tento pohybuje, inak môže dôjsť k spätnému nárazu.** Zistíte a vykonajte nápravné kroky a eliminujte príčinu zovierania kotúča.
- **Nespušťajte znova rezanie v obrobku. Počkajte, kým kotúč dosiahne maximálnu rýchlosť a potom znova vojdite do rezu.** Pri opakovanom spustení elektrického nástroja v obrobku sa kotúč môže zovrieť, vysunúť alebo späť naraziť.
- **Panele či iné nadmerné obrobky podprite, aby sa minimalizovalo riziko zovretia kotúča a spätného nárazu.** Veľké obrobky sa zvyknú prehybať pod vlastnou váhou. Podpery sa musia umiestniť pod obrobok v blízkosti línie rezania a v blízkosti okraja obrobku na oboch stranách kotúča.
- **Pri vykonávaní „vreckového rezu“ do existujúcich stien či iných neprehľadných povrchov.** Prečnievajúci kotúč môže prerezať plynové alebo vodovodné potrubie, elektrické vedenie alebo objekty, ktoré môžu zapríčiniť spätný náraz.

Spätný náraz a súvisiace výstrahy

Spätný náraz je náhla reakcia na zovretý alebo pritlačený rotujúci kotúč, opornú podložku, kefkú alebo iné príslušenstvo. Zoškrtenie alebo pritlačenie spôsobí náhle spomalenie otáčajúceho sa príslušenstva, čo zase spôsobí nerekontrolované uskočenie elektrického náradia v opačnom smere ako otáčanie príslušenstva v momente zovretia.

Napríklad, ak obrobok priškrtní alebo pritlačí rozbrusovací kotúč, okraj kotúča vstupujúceho do bodu priškrtenia môže spôsobiť jeho vrytie do povrchu materiálu, čo spôsobí vytiahnutie alebo vykoptutie kotúča. Kotúč môže byť vyskočiť dopredu alebo dozadu od obsluhujúcej osoby, v

závislosti od smeru pohybu kotúča v momente priškrtenia. Za týchto podmienok môžu tiež prasknúť abrazívne kotúče.

Spätný náraz je výsledok nesprávneho používania nástroja a/alebo nesprávnych prevádzkových postupov a možno mu predchádzať vykonávaním príslušných predbežných opatrení uvedených nižšie.

- **Udržiavajte pevný úchop elektrického náradia a vaše telo a rameno v polohe, ktorá vám umožní odolávať sile spätného nárazu. Vždy používajte aj pomocnú ruku, ak je namontovaná, aby ste dosiahli maximálnu kontrolu nad spätným nárazom alebo momentovou reakciou pri spustení.** Sily spätného nárazu alebo momentových reakcií môže obsluhujúca osoba ovládnuť, ak vykoná príslušné protipatria.
- **Nikdy nedávajte ruku do blízkosti otáčajúceho sa príslušenstva.** Príslušenstvo môže vykonať spätný náraz do vašej ruky.
- **Nepribližujte sa telom do oblastí, kam sa pohne elektrické náradie, keď nastane spätný náraz.** Spätný náraz odhodí náradie opačným smerom od smeru pohybu kotúča v momente priškrtenia.
- **Pri opracovávaní rohov, ostrých hrán a pod. buďte zvlášť opatrní. Zabráňte odsakovaniu a zadrhávaniu príslušenstva.** Rohy, ostré hrany alebo odsakovanie majú tendenciu zadrhnúť príslušenstvo a spôsobiť stratu kontroly alebo spätný náraz.
- **Nenasadzujte rezbárske ostrie na reťazovú pílu alebo ozubené pilové ostrie.** Takéto ostria často spôsobujú spätný náraz a stratu kontroly

ÚČEL POUŽITIA

- Brúsenie kovov alebo rezanie materiálov, ako sú kovy alebo kameň.

Poznámka: Použite len odporúčané príslušenstvo. Pokyny na používanie príslušenstva sú priložené k príslušenstvu.

ÚDRŽBA

- Pri servise používajte len originálne náhradné diely. Použitie iných dielov môže predstavovať riziko alebo spôsobiť poškodenie produktu.
- Vyhýbajte sa použitiu rozpúšťadiel pri čistení plastových častí. Väčšina plastov je náchylných na poškodenie rôznymi druhmi komerčných rozpúšťadiel a ich používaním sa môžu poškodiť. Na odstránenie nečistoty, prachu, oleja, mazadla atď. použite čistú handričku.
- Pri práci s elektrickým náradím alebo odľukovaní prachu vždy používajte ochranné okuliare alebo ochranné okuliare s bočnými chráničmi. Ak pri práci vzniká prach, používajte aj protiprachovú masku.
- Aby nedošlo k vážnemu telesnému poraneniu, vždy vyberte jednotku akumulátora z produktu pri čistení alebo vykonávaní akejkoľvek údržby.
- Dbajte na to, aby do kontaktu s plastovými dielmi nikdy



neprišli do kontaktu brzdové kvapaliny, benzín, ropné produkty, prenikavé oleje a pod. Chemikálie môžu poškodiť, oslabiť, alebo zničiť plastové časti a tak spôsobiť vážne zranenie.

- Na opravu alebo výmenu zo strany zákazníka sú určené len diely uvedené na zozname dielov. Všetky ostatné diely môže vymieňať len autorizované servisné centrum spoločnosti.



Opatrebované elektrické zariadenia by ste nemali odhadzovať do domového odpadu. Prosíme o recykláciu ak je možné. Kontaktujte miestne úrady, alebo predajcu pre viac informácií ohľadom ekologického spracovania.

OCHRANA ŽIVOTNÉHO PROSTREDIA



Surové materiály recyklujte, nelikvidujte ich ako odpad. Stroj, príslušenstvo a obaly by sa mali triedene recyklovať spôsobom šetrným k životnému prostrediu.

SYMBOLY



Výstražná značka



GOST-R konformita



CE konformita



Pred zapnutím zariadenia si prosím prečítajte inštrukcie



Noste ochranu sluchu



Noste ochranu zraku



Používajte protiprachovú masku.



Používajte ochranné rukavice



Nepoužívajte vyštrbený, prasknutý alebo poškodený brúsny kotúč



Nepoužívajte na rezanie



Použite kryt



Kov

**ΕΙΔΙΚΟΙ ΚΑΝΟΝΕΣ ΑΣΦΑΛΕΙΑΣ**

Κοινές προειδοποιήσεις ασφάλειας για λειτουργίες κοπής ακονίσματος και λείανσης:

- Το εργαλείο διατίθεται για χρήση ως εργαλείο λείανσης / ακονίσματος ή κοπής. Διαβάστε προσεκτικά όλες τις προειδοποιήσεις, οδηγίες και προδιαγραφές που παρέχονται με το εργαλείο και ανατρέξτε στις εικόνες. Η μη τήρηση των ακόλουθων οδηγιών μπορεί να επιφέρει ατυχήματα όπως πυρκαγιές, ηλεκτροπληξίες ή και σοβαρό σωματικό τραυματισμό.
- Εργασίες όπως η αμμοβολή, το βούρτσισμα με σύρμα ή η το γυάλισμα, δεν δεν προτείνεται να εκτελούνται χρησιμοποιώντας αυτό το ηλεκτροκίνητο εργαλείο. Η μη τήρηση της σύστασης αυτής μπορεί να επιφέρει ατυχήματα και σοβαρό σωματικό τραυματισμό.
- Μην χρησιμοποιείτε αξεσουάρ που δεν έχουν σχεδιαστεί ειδικά γι' αυτό το εργαλείο και δεν συνιστώνται από τον κατασκευαστή. Ακόμα κι αν ένα αξεσουάρ μπορεί να τοποθετηθεί σε εργαλείο, αυτό δεν διασφαλίζει ότι μπορείτε να χρησιμοποιείτε το εργαλείο εκείνο με απόλυτη ασφάλεια.
- Η ονομαστική ταχύτητα του αξεσουάρ πρέπει να είναι ίση ή μεγαλύτερη από την μέγιστη ταχύτητα που αναγράφεται στο εργαλείο. Τα αξεσουάρ που λειτουργούν με ταχύτητα μεγαλύτερη από την ονομαστική ταχύτητα μπορεί να σπασούν και να εκτιναχθούν.
- Η εξωτερική διάμετρος και το πάχος του αξεσουάρ πρέπει να αντιστοιχούν στα τεχνικά χαρακτηριστικά του εργαλείου. Όταν τα αξεσουάρ δεν αντιστοιχούν στα δεδομένα χαρακτηριστικά, δεν μπορούν να λειτουργήσουν σωστά τα συστήματα προστασίας και ρύθμισης του εργαλείου.
- Οι τροχοί, φλάντζες, πέλματα ή άλλα αξεσουάρ πρέπει να ταιριάζουν απόλυτα στην εσωτερική διάμετρο και τον άξονα του εργαλείου. Τα αξεσουάρ που δεν είναι κατάλληλα για τον άξονα στον οποίο πρέπει να τοποθετηθούν δεν δουλεύουν κανονικά, δονούνται υπερβολικά και σας κάνουν να χάνετε τον έλεγχο του εργαλείου.
- Μην χρησιμοποιείτε χαλασμένο αξεσουάρ. Πριν από κάθε χρήση, να βεβαιώνετε ότι είναι σε καλή κατάσταση το αξεσουάρ που χρησιμοποιείτε: να σιγουρεύεστε ότι οι λειαντικοί τροχοί δεν είναι φθαρμένοι ή ραγισμένοι, ότι τα πέλματα δεν είναι σχισμένα ή φθαρμένα, ότι οι τριχές των μεταλλικών βουρτσών ότι οι τριχές των μεταλλικών βουρτσών δεν είναι πολύ φθαρμένες ή σπασμένες. Σε περίπτωση πτώσης του εργαλείου ή του εξαρτήματος, βεβαιωθείτε ότι δεν έχει χαλάσει κανένα στοιχείο, και αν χρειαστεί, τοποθετήστε καινούργιο εξάρτημα. Αφού βεβαιωθείτε ότι το αξεσουάρ είναι σε καλή κατάσταση και αφού το τοποθετήσετε, κρατηθείτε σε απόσταση από τον κινητό αξεσουάρ και αφήστε το εργαλείο να φθάσει στη μέγιστη ταχύτητα που για ένα λεπτό. Αν είναι

χαλασμένο το αξεσουάρ, θα σπάσει κατά την δοκιμή.

- Να φοράτε μέσα ατομικής προστασίας. Ανάλογα με την χρήση του εργαλείου σας, φοράτε προστατευτική μάσκα, γυαλιά ασφαλείας ή προστατευτικά γυαλιά. Αν χρειαστεί, φοράτε μάσκα κατά της σκόνης, γαλιόσπιδες, γάντια και προστατευτική ποδιά για να προφυλαχτείτε από οιαδήποτε εκτίναξη ξένων σωμάτων (λειαντικά στοιχεία, ροκανίδια κλπ). Τα προστατευτικά γυαλιά αποτρέπουν την εκτίναξη θραυσμάτων και τον τραυματισμό των ματιών. Οι μάσκες κατά της σκόνης φιλτράρουν τα σωματίδια που δημιουργούνται από την εργασία που κάνετε. Η παρατεταμένη έκθεση στο δυνατό θόρυβο μπορεί να προκαλέσει απώλεια της ακοής.
- Κρατάτε τους επισκέπτες σε αρκετή απόσταση από την ζώνη εργασίας και φροντίστε να φορούν προστατευτικό εξοπλισμό. Κάθε άτομο που εισέρχεται στο χώρο εργασίας πρέπει να φορούν εξοπλισμό ατομικής προστασίας. Μπορεί να εκτιναχθούν θραύσματα καταργαζόμενου τεμαχίου ή σπασμένου αξεσουάρ πέρα από την ζώνη εργασίας και να προκαλέσουν σοβαρό σωματικό τραυματισμό.
- Κρατάτε το εργαλείο μόνο από τα μονωμένα και ανηλιοσθητικά τμήματα του όταν εργάζεστε σε κάποια επιφάνεια που μπορεί να κρύβει ηλεκτρικά καλώδια. Χρησιμοποιείτε πάντα έναν οδηγό παράλληλης κοπής ή ένα ίσιο πηγάκι όταν πραγματοποιείτε παράλληλη κοπή.
- Τοποθετήστε το καλώδιο τροφοδότησης με τρόπο ώστε να βρίσκεται σε κάποια απόσταση από το περιστρεφόμενο αξεσουάρ. Αν χάσετε τον έλεγχο του εργαλείου σας, το καλώδιο τροφοδότησης μπορεί να κοπεί ή να μαγκώσει και το χέρι σας ή το μπράτσο σας να παρυσυρθεί προς το περιστρεφόμενο αξεσουάρ.
- Μην εναποθέτετε ποτέ το εργαλείο σας πριν σταματήσει τελείως το αξεσουάρ. Το περιστρεφόμενο αξεσουάρ μπορεί να έλθει σε επαφή με την επιφάνεια στην οποία είναι τοποθετημένο και να σας κάνει να χάσετε τον έλεγχο του εργαλείου.
- Μην βάζετε ποτέ το εργαλείο σας σε λειτουργία όταν το μεταφέρετε. Το περιστρεφόμενο αξεσουάρ μπορεί να πιαστεί στα ρούχα σας και να σας τραυματίσει σοβαρά.
- Καθαρίζετε τακτικά τις σχισμές αερισμού του εργαλείου. Ο αερισμός του μοτέρ αφήνει να διεισδύουν σκόνες στο εσωτερικό του περιβλήματος μοτέρ, με αποτέλεσμα να δημιουργείται υπερβολική συσσώρευση μεταλλικών σωματιδίων με κίνδυνο την ηλεκτροπληξία.
- Μην χρησιμοποιείτε το εργαλείο σας κοντά σε εύφλεκτα υλικά. Οι σπινθίρες κινδυνεύουν να προκαλέσουν ανάφλεξη.
- Μην χρησιμοποιείτε αξεσουάρ που χρειάζονται ψυκτικά ρευστά. Η χρήση νερού ή ψυκτικών υγρών μπορεί να προκαλέσει ηλεκτροπληξία.

Συγκεκριμένες προειδοποιήσεις ασφάλειας για λειτουργίες κοπής ακονίσματος και λείανσης:

- Χρησιμοποιείτε μόνο τύπους τροχών που



προτείνονται για το ηλεκτροκίνητο εργαλείο σας και το συγκεκριμένο προστατευτικό που έχει σχεδιαστεί για τον επιλεγμένο τροχό. Τροχοί για τους οποίους δεν έχει σχεδιαστεί το εργαλείο, δεν προστατεύονται επαρκώς και δεν είναι ασφαλείς.

- Το προστατευτικό πρέπει να βρίσκεται πάντα τοποθετημένο στο ηλεκτροκίνητο εργαλείο και στη σωστή θέση για μέγιστη ασφάλεια, έτσι ώστε να εκτίθεται όσο γίνεται μικρότερος βαθμός του τροχού προς τον χειριστή. Τα προστατευτικά παρέχουν στον χειριστή προστασία από σπασμένα τεμάχια τροχού, τυχαία επαφή με τον τροχό και σπινθήρες που θα μπορούσαν να προκαλέσουν ανάφλεξη στα ρούχα.
- Οι τροχοί πρέπει να χρησιμοποιούνται μόνο για τις προτεινόμενες εφαρμογές. Για παράδειγμα, μην εκτελείτε εργασίες ακονίσματος / λείανσης με την πλευρά του τροχού αποκοπής. Οι λειαντικοί τροχοί αποκοπής διατίθενται για περιφερειακό ακόνισμα - εάν ασκηθεί πλευρική πίεση σε αυτούς τους τροχούς ενδέχεται να θρυμματιστούν.
- Χρησιμοποιείτε πάντα φλάντζες τροχών σε άριστη κατάσταση και με σωστό μέγεθος και σχήμα για τον επιλεγμένο τροχό. Οι σωστές φλάντζες τροχών στηρίζουν τον τροχό και μειώνουν την πιθανότητα σπασίματος του. Οι φλάντζες για τους τροχούς αποκοπής μπορεί να διαφέρουν από τις φλάντζες τροχών ακονίσματος.
- Μην χρησιμοποιείτε φθαρμένους τροχούς από μεγαλύτερα ηλεκτροκίνητα εργαλεία. Τροχοί για μεγαλύτερα ηλεκτροκίνητα εργαλεία δεν είναι κατάλληλοι για τις υψηλότερες ταχύτητες που αναπτύσσουν τα μικρότερα εργαλεία και ενδέχεται να σπάσουν.

Επιπρόσθετες προειδοποιήσεις ασφάλειας για λειτουργίες λείανσης αποκοπής:

- Μην "φρακάρετε" τον τροχό αποκοπής και μην ασκείτε υπερβολική πίεση. Μην προσπαθείτε να κάνετε υπερβολικά βαθιές κοπές. Αν πιέσετε υπερβολικά τον τροχό, αυξάνεται το φορτίο και η πιθανότητα συστροφής ή πιασίματος του τροχού στην κοπή, μαζί με την πιθανότητα επιστροφής ή σπασίματος του τροχού.
- Μην τοποθετείτε το σώμα σας στην ίδια σειρά με και πίσω από τον περιστρεφόμενο τροχό. Όταν ο τροχός, στο σημείο λειτουργίας, μετακινείται μακριά από το σώμα σας, η πιθανή επιστροφή μπορεί να εκτινάξει τον περιστρεφόμενο τροχό μαζί με το εργαλείο κατευθειαν προς εσάς.
- Αν ο τροχός πιαστεί ή όταν διακόπτετε μία κοπή για οποιονδήποτε λόγο, απενεργοποιείτε το εργαλείο και κρατάτε το ακίνητο μέχρι ο τροχός να σταματήσει τελείως. Μην προσπαθείτε ποτέ να αφαιρέσετε τον τροχό αποκοπής από την κοπή όσο αυτός κινείται, διαφορετικά μπορεί να προκληθεί επιστροφή. Αν ο δίσκος μαγκώσει, αναζητήστε την αιτία και λάβετε τα απαραίτητα μέτρα ούτως ώστε να μην επαναληφθεί.
- Μην ξεκινάτε απ' την αρχή την εργασία κοπής

στο τεμάχιο όπου εργάζεστε. Αφήστε τον τροχό να φτάσει στην πλήρη ταχύτητά του και κάντε προσεκτικά ξανά την κοπή. Ο τροχός μπορεί να πιαστεί, να μετακινήθει ή να κάνει επιστροφή, αν γίνει νέα εκκίνηση του εργαλείου πάνω στο τεμάχιο.

- Στηρίξτε πλαίσια ή ευμεγέθη τεμάχια για να ελαχιστοποιήσετε τον κίνδυνο πιασίματος του τροχού και επιστροφής. Τα μεγάλα πλαίσια τείνουν να κρεμάνε από το βάρος τους. Τα υποστηρίγματα πρέπει να τοποθετηθούν κάτω από το τεμάχιο, κοντά στη γραμμή της κοπής και κοντά στην άκρη του τεμαχίου και στις δύο πλευρές του τροχού.
- Προσέχετε ιδιαίτερα όταν κάνετε μία "κοπή θυλάκωσης" σε υπάρχοντα τοιχώματα ή άλλες περιοχές χωρίς ορατότητα. Η προεξέκλιξη τροχός μπορεί να κόψει αγωγούς αερίου ή νερού, ηλεκτρικά σύρματα ή αντικείμενα που μπορούν να προκαλέσουν επιστροφή.

Επιστροφή και σχετικές ειδοποιήσεις

Το αναπήδημα είναι μία ξαφνική αντίδραση η οποία λαμβάνει χώρα όταν ο κινούμενος τροχός, το πέλαμα, η βούρτσα ή οιοδήποτε άλλο αξεσουάρ μαγκώσει ή στρεβλώσει, με αποτέλεσμα το άμεσο μπλοκάρισμα του αξεσουάρ. Το εργαλείο, το οποίο συνεχίζει να λειτουργεί, εκτινάσσει τότε το αξεσουάρ προς την αντίθετη κατεύθυνση από την φορά χρήσης του αξεσουάρ

Για παράδειγμα, αν ένας λειαντικός τροχός μαγκώσει ή στρεβλώσει μέσα στο κατεργαζόμενο τεμάχιο, η κόψη του τροχού κινδυνεύει να καρφωθεί στην επιφάνεια του κατεργαζόμενου τεμαχίου, με αποτέλεσμα ο τροχός να βγει απότομα από το κατεργαζόμενο τεμάχιο ή να κάνει επιστροφή. Σε περίπτωση αναπηδήματος, ο λειαντικός τροχός μπορεί ακόμα και να σπάσει. Το αναπήδημα είναι συνεπώς το αποτέλεσμα λανθασμένης χρήσης του εργαλείου ή και λανθασμένων διαδικασιών ή συνθηκών κοπής.

Το αναπήδημα είναι συνεπώς το αποτέλεσμα λανθασμένης χρήσης του εργαλείου ή και λανθασμένων διαδικασιών ή συνθηκών κοπής. Μπορεί ωστόσο να αποφευχθεί τηρώντας ορισμένες προφυλάξεις:

- Κρατάτε σταθερά το εργαλείο και φέρετε το σώμα σας και το μπράτσο σας σε κατάλληλη θέση ώστε να μπορείτε να ελέγχετε τυχόν αναπήδημα. Αν το εργαλείο διαθέτει βοηθητική λαβή, φροντίστε να την κρατάτε πάντα για να έχετε άριστο έλεγχο του εργαλείου σε περίπτωση αναπηδήματος ή ζεύγους αντίδρασης κατά την έναρξη λειτουργίας του εργαλείου. Παιρνετε τα απαραίτητα μέτρα για να μπορείτε να ελέγχετε το εργαλείο σας σε περίπτωση αναπηδήματος ή ζεύγους αντίδρασης.
- Μην βάζετε ποτέ το χέρι σας κοντά στο περιστρεφόμενο αξεσουάρ για να αποτρέψετε τον κίνδυνο σοβαρού σωματικού τραυματισμού σε περίπτωση αναπηδήματος. Εξάρτημα μπορεί να κλωστήσει επάνω από το χέρι σας.
- Μην στέκεστε μέσα στη ζώνη όπου κινδυνεύει να εκτιναχτεί το εργαλείο σε περίπτωση αναπηδήματος. Σε περίπτωση αναπηδήματος, το



εργαλείο εκκινάσεται προς την αντίθετη κατεύθυνση από την φορά περιστροφής του τροχού.

- Προσέχετε ιδιαίτερα όταν εργάζεστε σε γωνίες, κοφτερές άκρες κλπ. Φροντίζετε να μην σας πλαγιολισθήσει ή να σας μαγκώσει το αξεσουάρ. Όταν εργάζεστε σε γωνίες ή κοφτερές άκρες ή όταν σας πλαγιολισθήσει το εργαλείο, ο κίνδυνος είναι πιο μεγάλος να μπλοκάρει το αξεσουάρ και να χάσετε τον έλεγχο του εργαλείου προκαλώντας αναπήδημα.
- Μην χρησιμοποιείτε ποτέ λάμα αλυσσπρίονου ή λάμα πριονιού με αυτό το εργαλείο. Αυτού του είδους οι λάμες αυξάνουν τον κίνδυνο αναπήδηματος και απώλειας ελέγχου του εργαλείου.

ΠΡΟΟΡΙΖΟΜΕΝΗ ΧΡΗΣΗ

- Τρόχισμα μετάλλου ή υλικών κοπής, όπως μέταλλο ή πέτρα.

Σημείωση: Χρησιμοποιείτε μόνο τα συνιστώμενα εξαρτήματα. Οδηγίες για ασφαλή χρήση εξαρτημάτων συμπεριλαμβάνονται με το εξάρτημα.

ΣΥΝΤΗΡΗΣΗ

- Κατά τη συντήρηση, χρησιμοποιείτε μόνο πανομοιότυπα ανταλλακτικά. Η χρήση οποιουδήποτε άλλου ανταλλακτικού μπορεί να παρουσιάσει κίνδυνο ή να προκαλέσει ζημιά στο εργαλείο σας.
- Αποφύγετε τη χρήση διαλυτών κατά τον καθαρισμό πλαστικών εξαρτημάτων. Τα περισσότερα πλαστικά είναι επιρρεπή σε φθορές από τους διάφορους τύπους διαλυτών που είναι διαθέσιμοι στο εμπόριο και μπορεί να καταστραφούν από τη χρήση τους. Χρησιμοποιήστε ένα καθαρό πανί για να αφαιρέσετε βρωμιά, σκόνη, λάδια, γράσο κ.λπ.
- Φοράτε πάντα προστατευτικά ματιών ή γυαλιά με πλαϊνές ασπίδες ενώ χρησιμοποιείτε ηλεκτροκίνητα εργαλεία ή κάνετε εργασίες με σκόνη. Αν η εργασία προκαλεί σκόνη, φοράτε και ειδική μάσκα.
- Για την αποφυγή σοβαρών τραυματισμών, αφαιρείτε πάντα τη μπαταρία από το προϊόν κατά τον καθαρισμό ή τη συντήρησή του.
- Τα πλαστικά τμήματα δεν πρέπει ποτέ να έρχονται σε επαφή με υγρά φρένων, βενζίνη, προϊόντα με βάση το πετρέλαιο, έλαια, κλπ. Αυτά τα χημικά προϊόντα περιέχουν ουσίες οι οποίες μπορούν να προξενήσουν ζημιά, να μειώσουν ή να καταστρέψουν το πλαστικό.
- Μόνο τα εξαρτήματα που εμφανίζονται στη λίστα μπορούν να επισκευαστούν ή αντικατασταθούν από τον πελάτη. Όλα τα άλλα εξαρτήματα πρέπει να αντικαθίστανται σε Εξουσιοδοτημένο Κέντρο Σέρβις της.

ΠΡΟΣΤΑΣΙΑ ΤΟΥ ΠΕΡΙΒΑΛΛΟΝΤΟΣ



Ανακυκλώνετε τις πρώτες ύλες αντί να τις πετάτε ως απορρίμματα. Για την προστασία του περιβάλλοντος, πρέπει να γίνεται η διαλογή του εργαλείου, των εξαρτημάτων και των συσκευασιών του.

ΣΥΜΒΟΛΑ



Προειδοποίηση ασφάλειας



Συμμόρφωση GOST-R



Συμμόρφωση CE



Παρακαλούμε διαβάστε τις οδηγίες προσεκτικά πριν ξεκινήσετε το μηχάνημα.



Φοράτε προστατευτικά αυτιά



Φοράτε προστατευτικά ματιών



Φοράτε μάσκα προστασίας από πριονίδια/σωματίδια.



Φοράτε προστατευτικά γάντια



Μην χρησιμοποιείτε λειαντικούς τροχούς που έχουν ξεφλουδίσει, ραγίσει ή είναι ελαττωματικοί



Να μην χρησιμοποιείται για εργασίες κοπής



Χρησιμοποιείτε προστατευτικό



Μέταλλο



Τα ηλεκτρικά προϊόντα προς απόρριψη δεν θα πρέπει να απορρίπτονται μαζί με τα οικιακά απόβλητα. Παρακαλούμε ανακυκλώστε όπου υπάρχουν οι αντίστοιχες εγκαταστάσεις. Μιλήστε με τις τοπικές αρχές ή τον πωλητή για να σας ενημερώσουν σχετικά με τα προγράμματα ανακύκλωσης.



ÖZEL GÜVENLİK KURALLARI

Taşlama ve aşındırıcılı kesme işlemlerine yönelik genel güvenlik uyarıları:

- Bu elektrikli alet taşlama makinesi veya kesme aleti olarak kullanılmak üzere tasarlanmıştır. Bu aletle birlikte verilen tüm uyarı, talimat ve özellikleri dikkatlice okuyunuz ve resimli açıklamalara bakınız. Aşağıda belirtilen talimatlara uyulmaması, yangın, elektrik çarpması ve/veya ciddi bedensel yaralanmalar gibi kazalar sebep olabilir.
- Kumlama, tel fırça ile fırçalama veya cilalama bu elektrikli aletle yapılması tavsiye edilmez. Bu talimata uyulmaması kazalara ve ciddi bedensel yaralanmalara sebep olabilir.
- Bu alet için özel olarak tasarlanmış olmayan ve üretici tarafından önerilmeyen aksesuarları kullanmayın. Bir aksesuar bir alet üzerine takılabilirse bile, bu, cihazı güvenlik içerisinde kullanabileceğiniz anlamına gelmemektedir.
- Aksesuarın nominal hızının, alet üzerinde belirtilen azami hıza eşit veya üzerinde olması gerekmektedir. Nominal hızlarından daha yüksek bir hızda çalışan aksesuarlar kırılabilir veya fırlayabilir.
- Aksesuarın dış çapı ve kalınlığının, cihaz için belirtilen özelliklere tekabül etmesi gerekmektedir. Eğer aksesuarlar verilen özelliklere uymuyor ise, aletin koruma ve ayarlama sistemleri doğru olarak çalışmazlar.
- Taşlama diskleri, flanşlar, patenler ve diğer aksesuarların, aletin mil çapına kusursuz bir şekilde uymalıdır. Takılmaları gereken mil üzerine uymayan aksesuarlar doğru olarak dönmeyebilir, aşırı şekilde titreşirler ve cihazın kontrolünün kaybedilmesine sebep olurlar.
- Hasar görmüş bir aksesuarı kullanmayın. Her kullanımdan önce, kullandığınız aksesuarın iyi durumda olmasını kontrol edin: aşındırıcı disklerin çizilmiş veya çatlamış olmamasına, patenlerin yirtilmiş veya yıpranmış olmamasına, metalik fırçaların kollarının çok yıpranmış veya kırılmış olmamasına emin olun. Aletin veya aksesuarın düşmesi durumunda, hiçbir parçanın hasar görmemiş olduğunu kontrol edin ve gerekirse yeni bir aksesuar takın. Aksesuarın iyi durumda olmasını kontrol ettikten ve aksesuarı taktıktan sonra, hareketli aksesuardan uzak durun ve bir dakika boyunca aletin azami hızına erişmesini bekleyin. Eğer aksesuar hasar görmüş ise, bu test esnasında kırılacaktır.
- Kişisel koruyucu donanımlar kullanın. Aletinizi kullandığınız şekle göre, bir koruma maskesi, güvenlik gözlükleri veya koruma gözlükleri takın. Gerekirse, toz önleyici bir maske, sese karşı koruyucular, eldivenler ve her türlü yabancı madde (aşındırıcı unsurlar, ağaç talaşı, vs.) sıçramasına karşı kendinizi korumak için bir koruma tablası kullanın. Koruma gözlükleri, sıçrayan parçaların gözlerinizi yaralamamasını sağlar. Toz önleyici

maskeler, yaptığınız işlemin ürettiği partiküllerin filtrelenmesini sağlar. Uzun süre çok yoğun bir gürültüye maruz kalınması, duyum kaybına sebep olabilir.

- Ziyaretçileri çalışma alanına uzak bir mesafede tutun ve bir koruma ekipmanı takmalarına dikkat edin. Herkes Çalışma alanınıza giren kişisel koruyucu donanımlar giymek gerekir. Üretilen parçanın veya kırılmış bir aksesuarın kalıntıları çalışma alanının dışına fırlayabilir ve ciddi bedensel yaralanmalara sebep olabilir.
- Elektrik kablolar içerebilecek bir yüzey üzerinde çalıştığınızda aleti yalnızca yalıtılmış veya kaymayan kısımlarından tutunuz. Paralel kesim yaptığınızda, daima bir paralel kesim kılavuzu yada düz bir destek kullanınız.
- Elektrik kablosunu, dönen aksesuardan uzak bir mesafeye yerleştirin. Eğer aletinizin kontrolünü kaybederseniz, elektrik kablosu kesilebilir veya sıkışabilir ve eliniz veya kolunuz dönen aksesuara doğru itilebilir.
- Aksesuar tamamen durmadan aleti asla bırakmayın. Dönen aksesuar, konulduğu yere temas edebilir ve sizin aletin kontrolünü kaybetmenize sebep olabilir.
- Taşırken aletinizi çalıştırmayın. Dönen aksesuar kıyafetlerinizin kapabilir ve sizi ciddi bir şekilde yaralayabilir.
- Aletin havalandırma boşluklarını düzenli olarak temizleyin. Motorun havalandırılması, motor karteri içerisine toz girmesine sebep olur ve bu da metalik partiküllerin aşırı şekilde toplanmasına elektrik çarpmalarına sebep olabilir.
- Aletinizi yanıcı unsurların yanında kullanmayın. Kıvılcıklar bunların tutuşmasına sebep olabilir.
- Soğutma sıvıları gerektiren aksesuarlar kullanmayın. Su veya soğutma sıvısının kullanılması, elektrik çarpmasına veya buna bağlı ölümlere sebep olabilir.

Taşlama ve aşındırıcılı kesme işlemlerine yönelik özel güvenlik uyarıları:

- Sadece elektrikli aletinizi için tavsiye edilen dişli türlerini ve seçilen dişli için tasarlanmış özel korumayı kullanınız. Elektrikli alete uygun tasarlanmamış çarklar yeterince iyi kontrol edilemez ve güvenli değildir.
- Koruma, elektrikli alete güvenli bir şekilde bağlanmalı ve maksimum güvenlik sağlayacak şekilde konumlandırılmalıdır, böylece operatör dişliye minimum miktarda maruz kalır. Siper; operatörü kırık çark parçalarından, çarkla kazara temas ve kıyafetleri tutuşturabilecek kıvılcıklardan korur.
- Dişliler sadece tavsiye edilen uygulamalar için kullanılmalıdır. Örneğin, kesme dişlilerinin yanlarıyla taşlama yapmayın. Taşlama taşı kesici çarklara sadece çevresel taşlama işlemi için üretilmiştir, çarklara yanlardan uygulanacak basınç çarkın dağılmasına sebep olabilir.



- **Seçtiğiniz dişliniz için her zaman doğru boyutta ve şekilde zarar görmemiş dişli flanşları kullanın.** Uygun dişli flanşları dişliyi destekleyerek dişli kırılması olasılığını azaltırlar. Kesme dişlileri için flanşlar taşılama dişli flanşlarından farklı olabilir.
- **Daha büyük elektrikli aletlerin aşındırılmış dişlilerini kullanmayın.** Daha büyük elektrikli aletler için tasarlanan dişliler daha küçük bir aletin daha yüksek hızına uygun değildir ve patlayabilir.

Aşındırıcı kesme işlemlerine özel ilave güvenlik uyarıları:

- **Kesme çarkının sıkışmamasına ya da çarka aşırı baskı uygulamamaya dikkat edin.** Fazla derin kesmeye çalışmayın. Çarka aşırı baskı uygulamak, kesme sırasında çarkın yükü ile bükülme ya da sıkışmaya karşı hassasiyetini ve geri tepme ya da çarkın kırılma olasılığını artırır.
- **Gövdenizin pozisyonu dönen çarkla aynı doğrultuda ve arkasında olmasın.** İşlem esnasında çark gövdenizden uzaklaştığında, olası geri tepme kayan çarkı ve elektrikli aleti doğrudan size doğru itebilir.
- **Çark sıkıştığında ya da herhangi bir nedenle kesik yerlerden birine müdahale durumunda aleti kapatın ve çark tamamen durana kadar aleti tutun.** Kesme çarkını hareket halindeyken kesik yerden çıkarmaya çalışmayın, yoksa geri tepmeye neden olabilir. Eğer disk sıkışsa, sebebini araştırın ve bunun yeniden olmaması için gerekli tedbirleri alın.
- **İş parçası üzerinde keme işlemini yeniden başlatmayın.** Çarkın tam hızına ulaşmasını bekleyin ve ardından kesik yere dikkatli bir şekilde tekrar girin. Elektrikli alet iş parçası üzerinde yeniden başlatıldığında çark sıkışabilir, yavaşabilir ya da geri tepebilir.
- **Çark sıkışması ya da geri tepme riskini en aza indirmek için panelleri ya da büyük boylardaki iş parçalarını destekleyin.** Büyük iş parçaları kendi ağırlıkları altında eğilip bükülebilmektedirler. Destekler iş parçasının altına çarkın her iki tarafına kesme hattının yani ile iş parçasının kenarına yerleştirilmelidir.
- **Duvar ya da dış duvarda "keserek delme" işlemi gerçekleştirilmezken çok dikkatli olun.** Çıktınlı çark gaz ya da su borularını, elektrik kablolarını ya da nesnelere kesebilir ve bu geri tepmelere neden olabilir.

Geri tepme ve ilgili uyarılar

Sıçrama, taşıma makinesi hareket halinde iken, paten, fırça veya diğer aksesuarlar delerken veya keserken gerçekleşen ani bir tepkidir ve sonucunda aksesuar hızla bloke edilir. Alet, çalışmaya devam eder, bu durumda aleti aksesuarın kullanıldığı yönün aksi yönüne doğru sıçratır.

Örneğin, aşındırıcı bir disk iş parçasına takılır veya iş parçasına sıkışsa, sıkışan diskin kenarı iş parçasına girebilir ve bu durum diskin çıkmasına veya aniden fırlamasına yol açabilir. Tekerlek ya doğru ya da uzağa operatörünüzden, tekerlek hareketi yönüne pinching noktasında bağlı atlama olabilir. Sıçrama olması durumunda, aşındırıcı disk ayrıca kırılabilir de.

Dolayısıyla sıçrama, aletin yanlış olarak kullanılmasının ve/veya hatalı kullanım yöntemi ve koşullarının sonucunda oluşur. Birkaç tedbire uyararak bu önlenbilir:

- **Aleti sıkıca tutun ve vücudunuzu ve kolunuzu, olası bir sıçramayı kontrol edebilecek şekilde yerleştirin.** Eğer aletin yardımcı bir kolu varsa, sıçrama veya aletin çalıştırıldığı anda reaksiyon momenti olması durumunda aleti daha iyi kontrol edebilmek için her zaman bu yardımcı kolu tutun. Sıçrama veya reaksiyon momenti olması durumunda aletinizi kontrol edebilmek için gerekli tedbirleri alın.
- **Sıçrama anında meydana gelebilecek her türlü bedensel yaralanmayı önlemek için - Elinizi asla dönen aksesuarın yakınına koymayın Elinizi yere Aksesuar olabilir komisyon.**
- **Sıçrama halinde aletini fırlatılma riskinin olduğu bölgede durmayın.** Sıçrama olması durumunda, alet, diskin dönme yönünün aksi istikametine fırlatılır.
- **Özellikle köşelerde, keskin kenarlarda, vs çalışırken dikkatli olun.** Aksesuarı kaydırmamaya veya sıkıştırmamaya özen gösterin. Aksesuarı kaydırmamaya veya sıkıştırmamaya özen gösterin. köşelerde veya keskin kenarlarda çalışırken veya aleti kaydırırken, aksesuarın bloke olma riski ve dolayısıyla aletin kontrolünü kaybetme ve bir sıçramaya sebep olma riski daha fazladır.
- **Bu alet ile asla ağaç kesme bacağına veya testere bacağına kullanmayın.** Bu tür bıçaklar sıçrama ve aletin kontrolünü kaybetme riskini artırmaktadır.

KULLANIM AMACI

- Metal taşıma ya da metal veya taş gibi malzemeleri kesme.

Not: Sadece önerilen aksesuarları kullanın. Aksesuarların güvenli kullanımına yönelik talimatlar aksesuarlara dahildir.

BAKIM

- Servis hizmetinde sadece aynı yedek parçaları kullanın. Diğer parçaları kullanmak tehlike yaratabilir ya da hasara neden olabilir.
- Plastik parçaları temizlerken solventleri kullanmaktan kaçının. Çoğu plastik, piyasada bulunan çözücü çözümlerine karşı hassastır ve bu çözümlerin kullanılmasından dolayı hasar görebilirler. Kiri, tozu, yağ ve gres yağını temizlemek için temiz bir bez kullanın.
- Toz üflerken veya ürünü çalıştırırken mutlaka yanları kapalı tam boy koruyucu gözlük takın. İşlem tozlu olacağı aynı zamanda bir toz maskesi de kullanın.
- Ciddi kişisel yaralanmaları önlemek için, temizlik veya bakım yaparken akü paketini mutlaka üründen çıkarın.
- Plastik unsurlar asla fren sıvısı, benzin, petrol bazı ürünler, nüfuz edici yağlar, vb ile temas etmemelidir. Bu kimyasal ürünler plastik parçaları zara verebilir; kırılabilir ya da bozabilir.



- Sadece parça listesinde gösterilen parçalar müşteri tarafından onarılabilir veya değiştirilebilir. Diğer tüm parçalar mutlaka Yetkili Servis Merkezi'nde değiştirilmelidir.

ÇEVRENİN KORUNMASI



Ham maddeleri çöp olarak atmak yerine geri dönüştürün. Çevreyi korumak için, alet, aksesuarlar ve ambalajlar tasnif edilmelidir.

SEMBOLLER



Güvenlik Uyarısı



GOST-R Uygunluğu



CE Uygunluğu



Makineyi çalıştırmadan talimatları dikkatlice okuyun.



Koruyucu kulaklık kullanın



Koruyucu gözlük kullanın



Toz maskesi kullanın.



Emniyet eldivenleri giyin



Kırık, çatlak ya da arızalı taşılama çarkını kullanmayın



Kesim için kullanmayın.



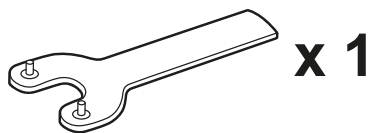
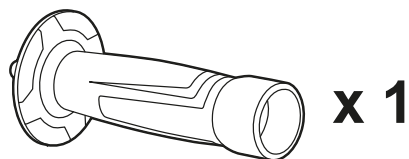
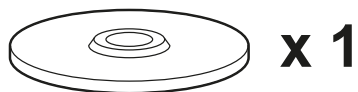
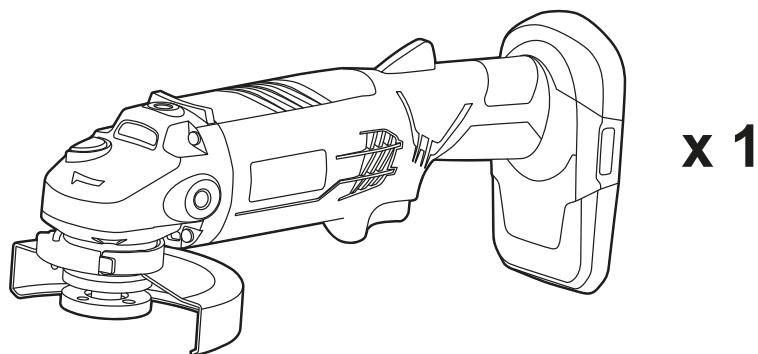
Bir siper kullanın



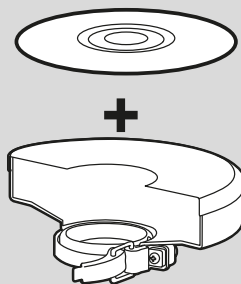
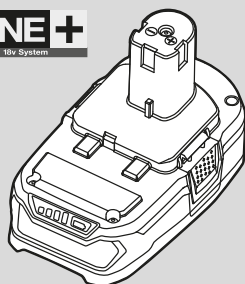
Metal

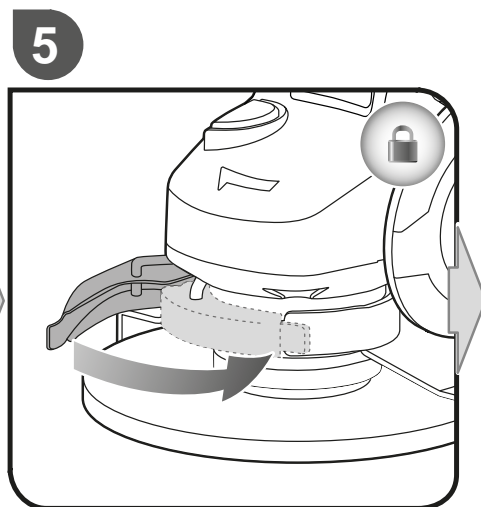
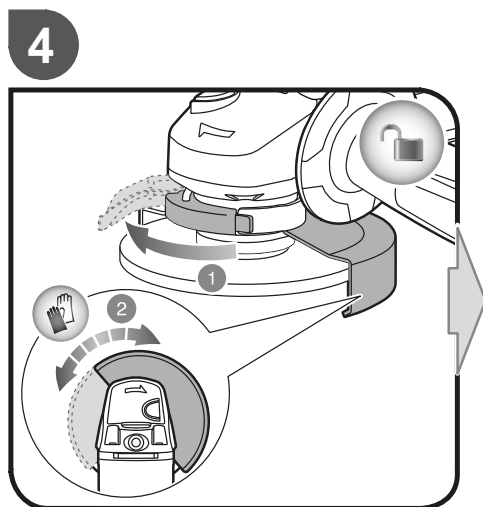
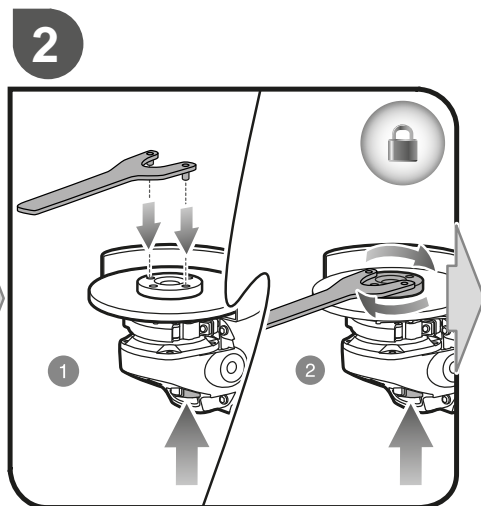
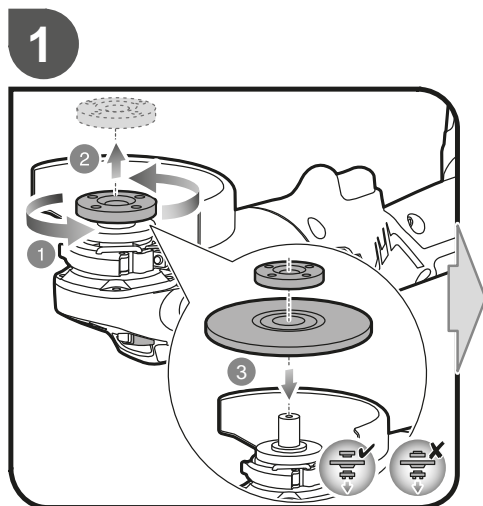


Atık elektrikli ürünler evsel atıklarla birlikte atılmamalıdır. Tesis bulunuyorsa lütfen geri dönüşüme verin. Geri dönüşümle ilgili tavsiye için Yerel Makamlarla veya bayi ile irtibat kurun.



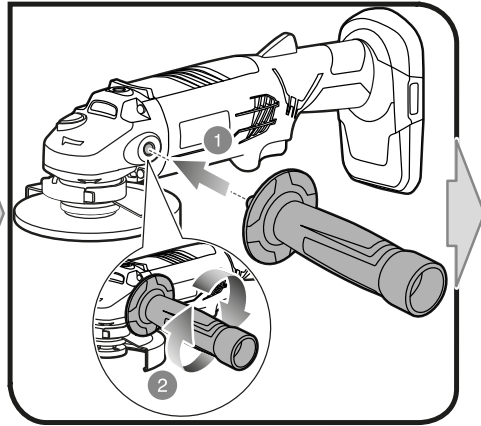
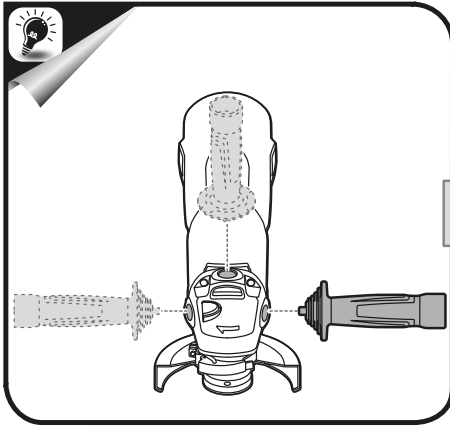
RYOBI ONE+
10v System



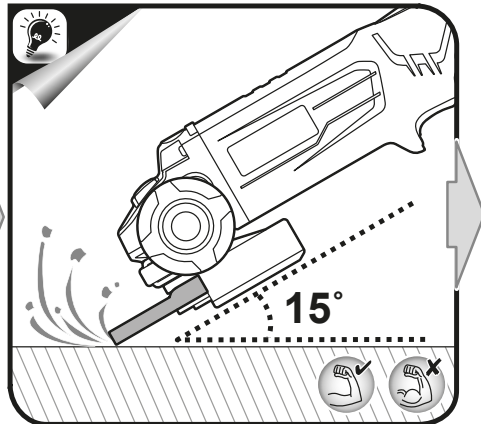
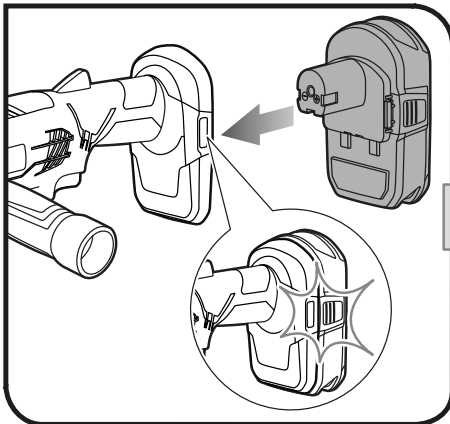


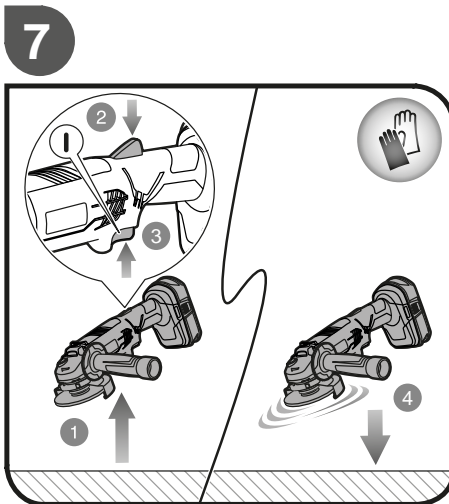
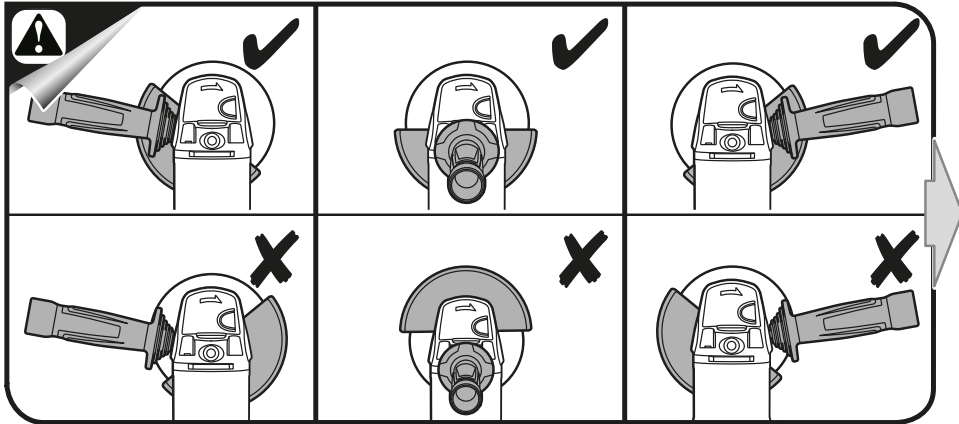


3

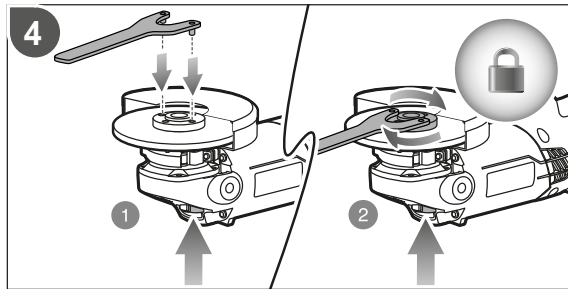
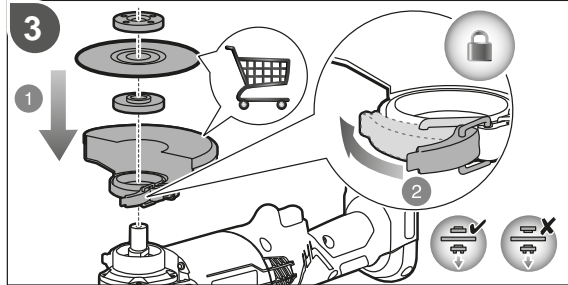
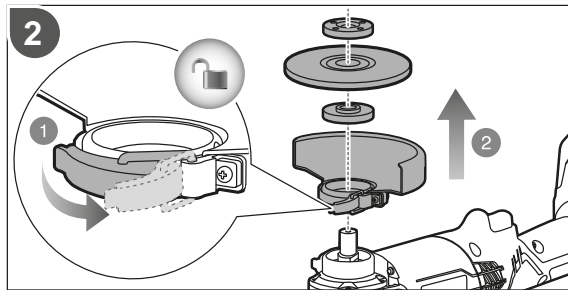
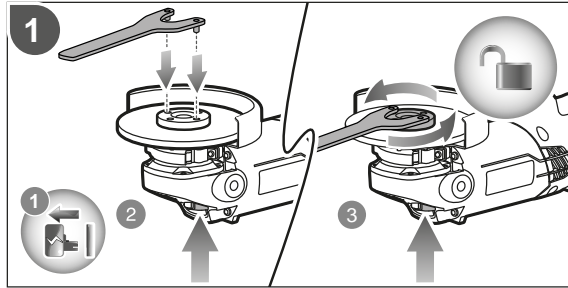
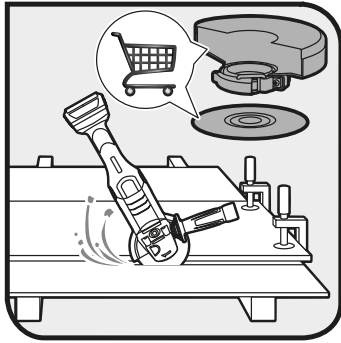


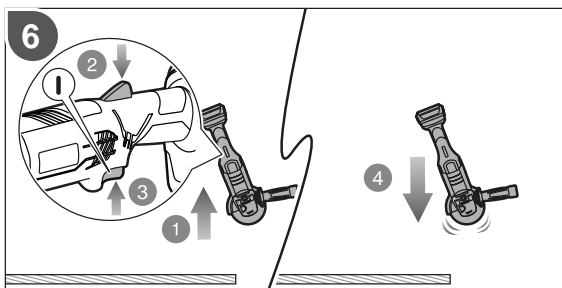
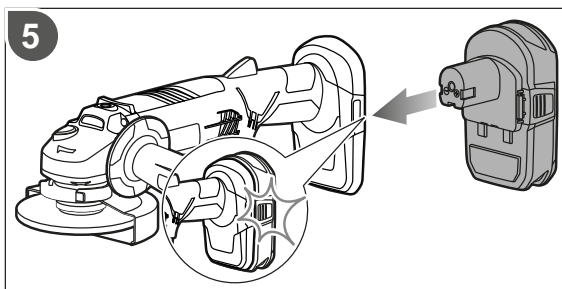
6

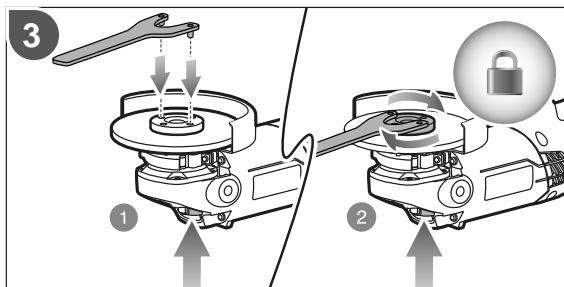
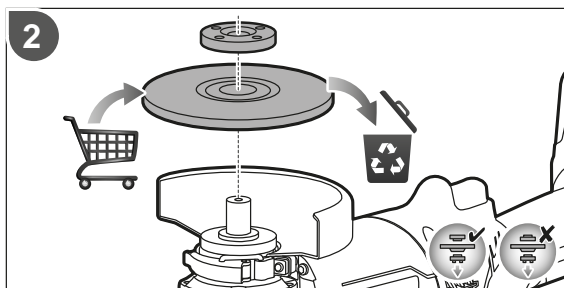
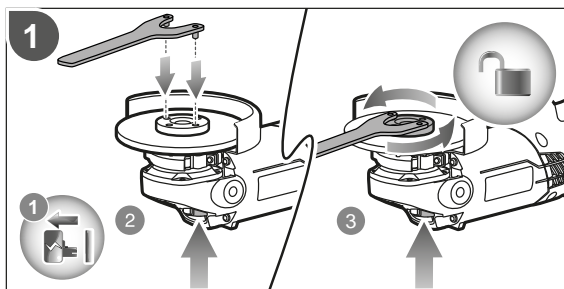
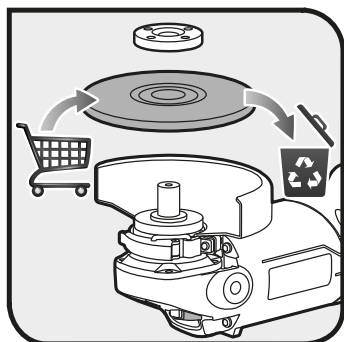












English	Français	Deutsch	Español	Italiano	Nederlands	Português
Product specifications	Caractéristiques de l'appareil	Produkt-Spezifikationen	Especificaciones del producto	Specifiche prodotto	Productspecificaties	Especificações do produto
Voltage	Tension	Spannung	Tensión	Voltaggio	Spanning	Voltagem
No-load speed	Vitesse à vide	Leerlaufdrehzahl	Velocidad sin carga	Velocità a vuoto	Toerental bij nullast	Velocidade em vazio
Spindle thread	Filetage de l'arbre	Gewinde der Welle	Roscado del árbol	Filettatura dell'albero	Schroefdraad van as	Rosca do eixo
Grinding wheel capacity	Capacité de la meule	max. Schleifscheibendurchmesser	Capacidad de la rueda de esmeril	Capacità di smerigliatura ruota	Slijpwielvormogen	Capacidade da mó
Weight	Poids	Gewicht	Peso	Peso	Gewicht	Peso
Thickness of grinding wheel	Épaisseur de la meule	Dicke der Schleifscheibe	Grosor de la rueda de esmeril	Spessore ruota di smerigliatura	Dikte van het slijpwiël	Essesura da mó
Battery and charger	Batterie et chargeur	Akku und Ladegerät	Batería y cargador	Batteria e caricatore	Accu en lader	Bateria e carregador
Compatible battery pack (not included)	Pack batterie compatible (non compris)	Kompatible Akkus (nicht im Lieferumfang enthalten)	Packs de Batería compatibles (no incluido)	Gruppo batterie compatibile (non incluso)	Compatibele accu (niet inbegrepen)	Baterias compatíveis (não incluída)
Compatible charger (not included)	Chargeur compatible (non compris)	Kompatible Ladegerät (nicht im Lieferumfang enthalten)	Cargador compatible (no incluido)	Caricatore compatibile (non incluso)	Compatibele lader (niet inbegrepen)	Carregador compatível (não incluída)

Polski	Čeština	Magyar	Română	Latviski	Lietuviškai	Eesti
Product specifications	Caractéristiques de l'appareil	Produkt-Spezifikationen	Especificaciones del producto	Specifiche prodotto	Productspecificaties	Especificações do produto
Napięcie	Elektrické napětí	Feszültség	Tensiune	Spriegums	Ītampa	Pinge
Prędkość bez obciążenia	Otáčky naprázdno	Üresjárati fordulatszám	Viteză în gol	Apgrīzieni bez slodzes	Greitis be apkrovimo	Kiirus ilma koormuseta
Gwint wrzeciona	Závit na vřetenu	Tengely csavarmenet	Filetul axului motor	Vārpstas vītne	Velēno sriegis	Spindli keere
Średnica tarczy	Kapacita brusného kotouče	Csiszolókorong kapacitása	Randament disc de șlefuire	Slīpēšanas diska dziļums	Šlīfavimo disko galia	Lihvketta läbimõõt
Waga	Hmotnost	Tömeg	Greutate	Svars	Svoris	Mass
Grubość tarczy	Síla brusného kotouče	Csiszolókorong vastagsága	Grosimea discului de șlefuire	Slīpēšanas diska biezums	Šlīfavimo disko storis	Lihvketta paksum
Akumulator i ładowarka	Baterie a nabíječka	Akkumulátor és töltő	Baterie și încărcător	Akumulators un lādētājs	Baterija ir ģkroviklis	Aku ja laadija
Pasujące akumulatory (nie dołączona)	Kompatibilní akumulátor (nepřibalen)	Kompatibilis akkumulátor (nem tartozék)	Acumulatori compatibili (neinclus)	Saderīgu akumulatoru komplekts (nav kompl.)	Suderinamas baterijos paketas (nepriedama)	Ühilduvad akupaketid (ei ole komplektis)
Odpowiednia ładowarka (nie dołączona)	Kompatibilní nabíječka (nepřibalen)	Kompatibilis töltő (nem tartozék)	Încărcător compatibil (neinclus)	Saderīgs lādētājs (nav kompl.)	Tinkamas ģkroviklis (nepriedama)	Kasutatav laadija (ei ole komplektis)

Dansk	Svenska	Suomi	Norsk	Русский	
Produktspecificationer	Produktspecificationer	Tuotteen tekniset tiedot	Produktspecificasjoner	Характеристики изделия	
Spænding	Spänning	Jännite	Spenning	Напряжение	18 V $\overline{\text{---}}$
Tomgangshastighed	Tomgångshastighet	Tyhjäkäyntinopeus	Hastighet ubelastet	Скорость на холостом ходу	7,500 min ⁻¹
Akselgevind	Axelgångning	Akselin kierteitys	Spindelgjenge	Резьба шпинделя	M14
Slibesivekapacitet	Slipsivkivans kapacitet	Hiomalaikan kapasiteetti	Slipehjuets kapasitet	Диаметр шлифовального диска	115 mm
Vægt	Vikt	Paino	Vekt	Вес	2,15 kg
Slibesivens tykkelse	Slipsivkivans tjocklek.	Hiomalaikan paksuus	Tykkelse på slipehjul	Толщина шлифовального диска	6 mm
Batteri og oplader	Batteri och laddare	Akku ja laturi	Batteri og lader	Батарея и зарядное устройство	
Kompatibelt batteri (medfølger ikke)	Kompatibelt batteripack (inte inkluderat)	Yhteensopiva akku (ei mukana)	Kompatible batteripakker (ikke inkludert)	Совместимая аккумуляторная батарея (не входит в комплект поставки)	BPL-1820 BPL-1815 RB18L13 RB18L15 RB18L26 RB18L40 BPP-1815 BPP-1817 BPP-1813
Kompatibel oplader (medfølger ikke)	Passande laddare (inte inkluderat)	Yhteensopiva laturi (ei mukana)	Kompatibel lader (ikke inkludert)	Совместимое зарядное устройство (не входит в комплект поставки)	BCL14181H BCL14183H BCL1418 BCS618 BCA-180 BC-1815S BC-1800 BCS618 BCL1418 BCL14181H BCL14183H

Hrvatski	Slovensko	Slovenčina	Ελληνικά	Türkçe	
Produktspecificationer	Produktspecificationer	Tuotteen tekniset tiedot	Produktspecificasjoner	Характеристики изделия	
Napon	Napetost	Napätie	Τάση	Gerilim	18 V $\overline{\text{---}}$
Brzina bez opterećenja	Hitrost brez obremenitve	Rýchlosť bez zaťaženia	Ταχύτητα στ κεν	Bota hız	7,500 min ⁻¹
Navoj osovine	Navoj vretena	Závit vretena	Σπείρωμα του άξονα	Mil dişleri	M14
Kapacitet brusne ploče	Zmožljivost brusilnega koluta	Kapacita brúsneho kotúča	Δυναμικό λειαντικού τροχού	Taşlama çarkı kapasitesi	115 mm
Težina	Teža	Hmotnosť	Βάρος	Ağırlık	2,15 kg
Debljina brusne ploče	Debelina brusilnega koluta	Hrúbka brúsneho kotúča	Πάχος λειαντικού τροχού	Taşlama çarkının kalınlığı	6 mm
Baterija i punjač	Baterija in polnilnik	Akumulátor a nabíjačka	Μπαταρία και φορτιστής	Batarya ve şarj aleti	
Kompatibilno pakiranje baterija (nije uključeno)	Kompatibilna baterija (ni priložena)	Kompatibilná jednotka akumulátorov (nie je súčasťou balenia)	Συμβατή μπαταρία (δεν περιλαμβάνεται)	Uyumlu pil takımı (dahil değildir)	BPL-1820 BPL-1815 RB18L13 RB18L15 RB18L26 RB18L40 BPP-1815 BPP-1817 BPP-1813
Kompatibilni punjač (nije uključeno)	Kompatibilni polnilnik (ni priložen)	Kompatibilná nabíjačka (nie je súčasťou balenia)	Συμβατος φορτιστης (δεν περιλαμβάνεται)	Uyumlu şarj cihazı (dahil değildir)	BCL14181H BCL14183H BCL1418 BCS618 BCA-180 BC-1815S BC-1800 BCS618 BCL1418 BCL14181H BCL14183H

EN WARRANTY - STATEMENT

All Ryobi products are guaranteed against manufacturing defects and defective parts for a period of twenty four (24) months from the date stated on the original invoice drawn up by the retailer and given to the end user.

Deterioration caused by normal wear and tear, unauthorised or improper use or maintenance, or overload are excluded from this guarantee as are accessories such as battery packs, light bulbs, blades, fittings, bags.

In the event of malfunction during the warranty period, please take the NON-DISMANTLED product, along with the proof of purchase, to your retailer or nearest Authorised Ryobi Service Centre.

This warranty in no way affects your legal rights concerning defective products.

AUTHORISED SERVICE CENTRE

To find an authorised service centre near you, visit ryobitools.eu.

FR GARANTIE - CONDITIONS

Ce produit Ryobi est garanti contre les vices de fabrication et les pièces défectueuses pour une durée de vingt-quatre (24) mois, à compter de la date faisant foi sur l'original de la facture établie par le revendeur à l'utilisateur final.

Les détériorations provoquées par l'usage normale, par une utilisation ou un entretien normal ou non autorisé, ou par une surcharge sont exclues de la présente garantie de même que les accessoires tels que batteries, ampoules, lames, embouts, sacs.

En cas de mauvais fonctionnement au cours de la période de garantie, veuillez envoyer le produit NON DÉMONTÉ avec la preuve d'achat à votre fournisseur ou au Centre Service Agréé Ryobi le plus proche de chez vous.

Vos droits légaux se rapportant aux produits défectueux ne sont pas remis en cause par la présente garantie.

SERVICE APRÈS-VENTE AGRÉÉ

Pour trouver le service après-vente agréé le plus proche, rendez-vous sur ryobitools.eu.

DE GARANTIE - BEDINGUNGEN

Für alle Ryobi-Produkte gilt eine Garantie gegen Material- und Verarbeitungsfehler für einen Zeitraum von vierundzwanzig (24) Monaten ab dem Datum der vom Wiederverkäufer für den Endbenutzer ausgestellten Originalrechnung.

Fehler, die auf Grund einer normalen Abnutzung, einer unberechtigten oder falschen Wartung oder Handhabung oder durch eine Überbelastung auftreten, sind von der Garantie ausgeschlossen. Dies gilt auch für Zubehörteile wie Batterien, Glühbirnen, Sägeblätter, Ansatzstücke, Beutel.

Senden Sie das Produkt im Fall eines Defekts innerhalb des Garantiezeitraumes in NICHT ZERLEGTEM Zustand zusammen mit dem Kaufnachweis an Ihren Händler oder Ihr nächstes Ryobi-Kundendienstzentrum zurück.

Diese Garantie hat keine Auswirkungen auf Ihre gesetzlichen Rechte in Bezug auf fehlerhafte Produkte.

AUTORISIERTER KUNDENDIENST

Besuchen Sie ryobitools.eu, um einen autorisierten Kundendienst in Ihrer Nähe zu finden.

ES GARANTÍA - CONDICIONES

Este producto Ryobi está garantizado contra los defectos de fabricación y las piezas defectuosas por un periodo de veinticuatro (24) meses, a partir de la fecha que figura en el original de la factura establecida por el distribuidor al usuario final.

Se excluyen de la presente garantía los deterioros provocados por un desgaste normal, una utilización o mantenimiento incorrecto o no autorizado, y una sobrecarga, así como los diversos accesorios: baterías, bombillas, hojas, puntas, bolsas.

En caso de funcionamiento incorrecto durante el periodo de la garantía, envíe el producto SIN DESMONTAR con la prueba de compra a su proveedor o al Centro de Servicio Acreditado Ryobi más cercano a su domicilio.

Los derechos legales relacionados con los productos defectuosos no son cuestionados por la presente garantía.

SERVICIO TÉCNICO AUTORIZADO

Para encontrar el servicio técnico autorizado más cercano, visite ryobitools.eu.

IT GARANZIA - CONDIZIONI

Questo prodotto Ryobi è garantito contro tutti i difetti di fabbricazione e pezzi difettosi per una durata di ventiquattro (24) mesi, a partire dalla data indicata sull'originale della fattura compilata dal rivenditore e consegnata all'utente finale.

Il deterioramento provocato dall'usura normale, da un utilizzo o una manutenzione non conformi o non autorizzati, o da un sovraccarico, è escluso dalla presente garanzia. La garanzia è esclusa anche per gli accessori come batterie, lampadine, lame, punte, borse.

In caso di malfunzionamento nel corso del periodo di garanzia, riportare il prodotto NON SMONTATO corredato della prova d'acquisto al fornitore o al più vicino Centro di Assistenza Autorizzato Ryobi.

I diritti legali relativi ai prodotti difettosi non sono rimessi in causa dalla presente garanzia.

CENTRO SERVIZI AUTORIZZATO

Per individuare il più vicino centro servizi autorizzato, visitare il sito ryobitools.eu.

NL GARANTIEVOORWAARDEN

Dit Ryobi product is gewaarborgd tegen fabricagefouten en defecte onderdelen gedurende een periode van vierentwintig (24) maanden, te rekenen vanaf de officiële datum op het origineel van de door de wederverkoper aan de eindgebruiker uitgeschreven rekening.

Beschadigingen veroorzaakt door normale slijtage, door abnormaal of ongeoorloofd gebruik of onderhoud, of door overbelasting vallen niet onder deze garantie, evenmin als accu's, lampen, bits, snijbladen, zakken.

In geval van slechte werking tijdens de garantieperiode, wordt u verzocht het NIET GEDEMONTEERDE product samen met de koopbon aan uw leverancier of aan het dichtstbijzijnde Ryobi servicecentrum te sturen.

Deze garantie doet niet af aan uw wettelijke rechten met betrekking tot defecte producten.

GEAUTORISEERD ONDERHOUDSCENTRUM

Om een geautoriseerd onderhoudscentrum in uw buurt te vinden, surf t naar ryobitools.eu.

PT GARANTIA - CONDIÇÕES

Este produto Ryobi está garantido contra os vícios de fabrico e as peças defeituosas por um prazo de vinte e quatro (24) meses, a contar da data que faz fé no original da factura emitida pelo vendedor ao utilizador final.

As deteriorações provocadas pelo desgaste normal, por uma utilização ou uma manutenção anormal ou não autorizada, ou por uma sobrecarga ficam excluídas da presente garantia assim como os acessórios tais como baterias, lâmpadas, lâminas, ponteiros, sacos.

No caso de mau funcionamento durante o período de garantia, queira enviar o produto NÃO DESMONTADO com a prova de compra ao seu fornecedor ou ao Centro de Serviço Autorizado Ryobi mais próximo.

Os seus direitos legais relativos aos produtos defeituosos não são prejudicados pela presente garantia.

CENTRO DE ASSISTÊNCIA AUTORIZADA

Para encontrar um centro de assistência autorizado próximo de si, visite ryobitools.eu.

DA GARANTI - REKLAMATIONSRET

Der er reklamationsret på dette Ryobi produkt for fabrikationsfejl og defekte dele i fireogtyve (24) måneder fra gyldighedsdatoen på originalfakturaen udstedt af forhandleren til slutbrugeren.

Skader opstået på grund af almindeligt slid, unormal eller ikke tilladt anvendelse, forkert vedligeholdelse eller overbelastning er ikke dækket af denne reklamationsret, det samme gælder tilbehør som batterier, pærer, klinger, indsætter, poser.

I tilfælde af driftsfejl i garantiperioden skal produktet afleveres IKKE DEMONTERET med købebevis til forhandleren eller nærmeste autoriserede Ryobi serviceværksted.

De lovbestemte rettigheder i forbindelse med defekte produkter forringes ikke af denne reklamationsret.

AUTORISERET SERVICECENTER

Find nærmeste autoriserede servicecenter på: ryobitools.eu.

SV GARANTI - VILLKOR

Ryobi garanterar denna produkt mot fabriktionsfel och defekta delar under tjugofyra (24) månader, räknat från det datum som anges på originalfakturan fastställt av återförsäljaren och överlämnad till slutanvändaren.

Denna garanti täcker inte skador som förorsakas av normalt slitage, av onormal eller otillåten användning eller skötsel, eller av överbelastning. Den täcker inte heller tillbehör som batterier, glödlampor, blad, ändstycken, påsar.

I händelse av felaktig funktion medan garantin är i kraft skall produkten sändas UTAN ATT DEMONTERAS tillsammans med inköpsbeviset till leverantören eller till närmaste servicecenter som auktoriserats av Ryobi.

De rättigheter som lagen ger i förhållande till defekta produkter ifrågasätts inte av denna garanti.

AUKTORISERAT SERVICECENTER

Du hittar närmaste auktoriserade servicecenter genom att gå till ryobitools.eu.

FI TAKUUEHDOT

Tällä Ryobi-tuotteella on valmistusvialti ja vialliset osat kattava vuoden (24 kk) takuu alkuperäiseen ostokuittiin tai laskuun merkitystä ostopäivästä lukien. Takuu ei kata normaalista kulumisesta, epänormaalista tai kielletystä käytöstä tai ylikuormituksesta aiheutuneita vahinkoja eikä lisävarusteita kuten akkuja, polttimoita, teriä, pusseja.

Mikäli takuuajana ilmaantuu toimintahäiriöitä, vie PURKAMATON tuote ostodistiksineen myyjäliikkeeseen tai lähimpään Ryobi-keskushuoltoon. Tämä takuu ei vaikuta viallisia tuotteita koskeviin lakiperusteisiin oikeuksiin.

VALTUUTETTU HUOLTO

Voit etsiä lähimmän valtuutetun huollon sivulta ryobitools.eu.

NO GARANTI - VILKÅR

Dette Ryobi produktet har garanti mot fabriksjonsfeil og defekte deler i tjudefire (24) månader fra datoen som står på fakturaen utstedt av forhandleren til sluttbrukeren. Garantien bortfaller dersom skadene er forårsaket av normal slitasje, unormal eller uautorisert bruk, eller overbelastning, og gjelder ikke tilbehør som batterier, lyspærer, blad, bits, poser.

I tilfelle funksjonsfeil under garantiperioden, skal produktet leveres i UDEMONTERT tilstand sammen med kjøpsbeviset til forhandler eller til nærmeste autoriserte Ryobi servicecenter.

Dine lovmessige rettigheter med hensyn til defekte produkter er ikke påvirket av denne garantien.

AUTORISERT SERVICECENTER

For å finne et autorisert servicecenter i nærheten, gå til ryobitools.eu.

RU ГАРАНТИЯ - УСЛОВИЯ

Настоящая продукция Ryobi гарантирована от дефектов производства и дефектов изделий на 2 года со дня официального оформления покупки, указанного на оригинале счета, выписанного продавцом покупателю.

Повреждения, полученные в результате обычного износа, ненормального или запрещенного использования или обслуживания, а также перегрузки - не покрываются настоящей гарантией, также как и аксессуары, такие как батареи, лампочки, цокли, патроны, мешки.

В случае поломки или неисправности в гарантийный период отшлите продукцию НЕРАЗОБРАННОЙ с подтверждением покупки вашему продавцу или в ближайший центр технического обслуживания Ryobi.

Настоящая гарантия не влияет на ваши законные права, по отношению к дефектной продукции.

УПОЛНОМОЧЕННЫЙ СЕРВИСНЫЙ ЦЕНТР

Чтобы найти ближайший уполномоченный сервисный центр, обратитесь к веб-сайту ryobitools.eu.

PL WARUNKI GWARANCJI

Okres gwarancji dla narzędzi użytkowanych w gospodarstwach domowych obowiązuje przez 24 miesiące a dla akumulatorów i ładowarek 12 miesięcy. Okres gwarancji liczy się od daty zakupu.

Gwarancja ta nie obejmuje zniszczenia wynikającego z normalnego zużycia, czy też uszkodzeń spowodowanych nadmierną eksploatacją, lub niewłaściwą konserwacją, czy nieodpowiednim użytkowaniem niezgodnym z przeznaczeniem. Wyłączone są z niej również akcesoria tj. żarówki ostrza, końcówki, worki.

W wypadku stwierdzenia złego funkcjonowania podczas okresu gwarancyjnego, prosimy o skierowanie NIE ZDEMONTOWANEGO produktu, wraz z dowodem zakupu do waszego dostawcy lub do najbliższego Autoryzowanego Punktu Serwisowego Ryobi.

Niniejsza gwarancja nie podważa przysługujących Państwu uprawnień dotyczących wadliwych produktów.

AUTORYZOWANY PUNKT SERWISOWY

Najbliższy autoryzowany punkt serwisowy można wyszukać w witrynie internetowej ryobitools.eu.

CS ZÁRUKA - ZÁRUČNÍ PODMÍNKY

Na tento výrobek značky Ryobi se poskytuje záruka po dobu 24 měsíců (akumulátory a nabíječky 12 měsíců) od data uvedeního na fakturu nebo pokladním bloku, který koncový uživatel obdržel v prodejně při nákupu výrobku. Záruka se vztahuje na výrobní vady a vadné díly.

Záruka se nevztahuje na poškození výrobku způsobené jeho běžným opotřebením, nesprávným nebo neschváleným používáním, nesprávnou údržbou nebo přetížením. Uvedené záruční podmínky se nevztahují na nástroje nebo příslušenství, jako žárovky, pilové listy, nástavce, vaky.

V případě provozních problémů u výrobku v záruce kontaktujte nejbližší autorizovanou servisní opravnu výrobků Ryobi. K opravě je nutné předložit NEDEMONTOVANÝ výrobek spolu s fakturou nebo pokladním blokem. Tato záruka nevylučuje případná další Vaše spotřebitelská práva týkající se výrobních závad, v souladu s platnými legislativními předpisy.

POVĚŘENÉ SERVISNÍ STŘEDIŠKO

Pro nalezení nejbližšího pověřeného servisního střediska navštivte ryobitools.eu.

HU A GARANCIA FELTÉTELEI

Erre a Ryobi termékre fogyszatók részére 2 év, az akkumulátorra és a töltőre 1 év garancia biztosítunk, a garancia a gyártási hibára valamint a készülékben található alkatrészek meghibásodására terjed ki. A garancia az eladó által, a vásárló számára készített, eredeti adás-vételi szerződésen feltüntetett dátumtól érvényes. A normális igénybevételből fakadó elhasználódás, a nem rendeltetésnek megfelelő használat vagy karbantartási művelet miatt fellépő, túlerhelés által okozott meghibásodásra nem terjed ki a garancia. A tartozékokra, mint például izzókra, fűfűfejekre, táskára, a garancia szintén nem vonatkozik.

A garancia ideje alatt fellépő meghibásodás esetén, juttassa el NEM SZÉTSZERELT ÁLLAPOTBAN a Ryobi terméket a vásárlást és annak dátumát igazoló dokumentum kíséretében az eladóhoz vagy az Önhöz legközelebbi Ryobi Szerviz Központba.

A jelen garancia nem zárja ki a fogyasztási eszközökre vonatkozó jogszabályok által elrendelteteket. További részletek a jótállási jegyen találhatóak.

HIVATALOS SZERVIZKÖZPONT

A legközelebbi hivatalos szervizközpont megtalálásához látogasson el a ryobitools.eu webhelyre.

RO GARANȚIE - CONDIȚII

Acest produs Ryobi este garantat în cazul viciilor de fabricație și pieselor cu defecte pentru o durată de douăzecișipatru (24) de luni, începând cu data facturii originale emisă de către comerciant utilizatorului final.

Deteriorările provocate prin uzură normală, print-o utilizare sau înțreținere anormală sau neautorizată, sau prin forțarea utilajului sunt excluse din prezenta garanție acestea aplicându-se și accesoriilor ca baterii, becuri, lame, capete, saci. În caz de funcționare defectuoasă în perioada de garanție, vă rugăm să trimiteți produsul NEDEMONTAT împreună cu factura de cumpărare furnizorului dumneavoastră sau la Centrul Serviciu Agreat Ryobi cel mai apropiat de dumneavoastră.

Drepturile dumneavoastră legale privind produsele defectuoase nu sunt alterate prin prezenta garanție.

CENTRU DE SERVICE AUTORIZAT

Pentru a găsi un centru de service autorizat lângă dvs., vizitați ryobitools.eu.

LV GARANTĪJAS PAKĀPŪMUMS

Šī produkta izejmateriālu un ražošanas defektus divdesmit četrus (24) mēnešus sedz garantija, kas slēpjas spēka no rēķina vai piegādes dokumenta izrakstīšanas datumā.

Normālas nolietojuma, nepilnvarotības/nepareizas apkopes/apiešanās vai pārslogdes radītos defektus garantija nesedz; garantija neattiecas arī uz akumulatoriem, spuldzītēm, asmeņiem, kaltiem.

Ja garantijas perioda laikā radusies kļūme, atgrieziet **NEIZJAUKTU** produktu ar iegādātajiem dokumentiem savam dīlerim vai tuvākajai Ryobi servisa centrā.

Garantija neskar arī likumu noteiktās tiesības attiecībā uz defektīviem produktiem.

AUTORIZĒTS APKALPOŠANAS CENTRS

Lai atrastu tuvāko autorizēto apkalpošanas centru, apmeklējiet ryobitools.eu.

LT GARANTINIS PAREIŠKIMAS

Garantuojame, kad šiame prietaise 24 mėnesius, pradedant nuo pirmojo pirkimo ar pristatymo datos, nurodytos ant kvito, nebus medžiagų ir gamybos defektų. Defektai dėl įrasto naudojimo ir nusidėvėjimo, netinkamo ir neleistino naudojimo ir priežiūros ar perkrovų į garantijos apimtį neįeina. Taip pat garantija neteikiama tokiems priedams kaip baterijos, lempuutės, antgaliai.

Gedimo atveju garantiniu laikotarpiu NEISARDYTA prietaisų su pirkimo datos įrodymu gražinkite pardavėjui arba į artimiausią „Ryobi“ techninio aptarnavimo centrą.

Jūsų statutinės teisės gedimų turinčių produktų atžvilgiu garantijos nėra apribojamos.

ĮGALIJOTOS TECHINIS PARIŽIŪROS CENTRAS

Įei norite surasti įgalioją techninės priežiūros centrą netoli Jūsų, apsilankykite interneto svetainėje ryobitools.eu.

ET GARANTIIIVALDUS

Kāesoleva toote garantii katab kahekümne nelja (24) kuu jooksul materjali ja tootevalmistamise defektid, mis hakkab kehtima ning mis tõestatakse arve või saatelehe kuupäevast.

Tavalise kasutamise ja kulumise, volitamata/väärä hooldamise või ülekoormuse käigus tekkinud defektid kääsoleva garantii alla eia kuulu, nagu eia kuulu garantii alla ka lisavarustus, sh akud, pinnid, terad, osakesed.

Garantiiperioodil esineva tõrke korral tagastage toode palun LAHTI VÖTMATA ning koos ostu tõendava

dokumentiga oma kohalikule edasimüüjale või lähimasse Ryobi hoolduskeskusesse.

Garantii eia mõjuta teie seaduslike õigusi defektsete toodete suhtes.

VOLITATUD HOOLDUSKESKUS

Oma volitatud hoolduskeskuse leiate veebisaidil ryobitools.eu.

HR UVJETI GARANCJE

Ovaj Ryobi proizvod je pod garancijom za sve nedostatke unutar dvadeset i četiri (24) mjeseca od datuma koji se nalazi na originalnom računu koji je prodavač izdao krajnjem korisniku.

Oštećenja uzrokovana normalnom uporabom, neprikladnim ili nedozvoljenim korištenjem ili održavanjem ili pak prevelikim opterećenjem nisu uključena u ovu garanciju, kao ni dodaci poput baterija, žarulja, noževa, vrhova, torbi.

U slučaju da tijekom garancijskog razdoblja alat radi neispravno, proizvod koji NISTE RASTAVLJALI zajedno s dokazom o kupnji pošaljite vašem dobavljaču ili najbližem Ovlaštenom Ryobi servisu. Vaša prava koja se odnose na neispravne

OVLAŠTENI SERVISNI CENTAR

Za pronalaženje ovlaštenog servisnog centra pored vas posjetite ryobitools.eu. proizvode ovom se garancijom ne dovode u pitanje.

SL GARANCIJSKA IZJAVA

Vsi izdelki znamke Ryobi imajo garancijo za napake v izdelavi in neustrezne sestavne dele za obdobje 24-ih mesecev od datuma, ki je naveden na originalnem računu, ki ga je prodajalec izdal končnemu uporabniku.

Staranje, ki ga povzroča običajna raba in obraba izdelka, njegova nepooblaščenā ali neustrezna uporaba ali vzdrževanje, ali preobremenitev, je izzeto iz te garancije. Enako velja tudi za dodatno opremo kot so baterijski vložki, žarnice, rezila, pribor, vrečke.

Če pride v garancijskem roku do napake v delovanju izdelka, vas prosimo, da ga NERAZSTAVLJENEGA, skupaj z dokazilom o nakupu, odnesete vašemu prodajalcu ali v najbližji Ryobi servisni center.

Ta garancija nikakor ne vpliva na vaše pravice, ki vam jih v zvezi z neustreznimi izdelki daje zakon.

POOBLAŠČEN SERVISNI CENTER

Pooblaščeni servisni center blizu vas poiščite na ryobitools.eu.

SK ZÁRUKA –PREHLÁSENIE

Tento produkt pričádza so zárukou na chyby v materiáli a spracovaní v dlžke 24 mesiacov, akumulatory a nabijacky 12 mesiacov od dátumu kúpy, alebo dodania. Chyby spôsobené normálnym opotrebovaním, nedovolenou / nesprávnou údržbou / narábaním, alebo preťažením, sú z tejto záruky vylúčené podobne ako príslušenstvo ako čepele, hroty.

V prípade poruchy v období záruky, prineste prosím NEROZOBŔANÝ s dokladom o kúpe vášmu predajcovi, alebo do najbližšieho servisného centra Ryobi.

Vaše zákonné práva oĥladom poškodeného výrobku nie sú ovplyvnené touto zárukou.

AUTORIZOVANÉ SERVISNÉ CENTRUM

Ak chcete nájsť najbližšie autorizované servisné centrum, navštívte stránku ryobitools.eu.

EL OPOI EΓΓΥΗΣΗ

Autó to προϊόν Ryobi φέρει εγγύηση κατά των κατασκευαστικών ελαττωμάτων και των ελαττωματικών τμημάτων για μια διάρκεια εικοσιτεσσάρων (24) μηνών, από την ημερομηνία που αναφέρεται στο πρωτότυπο του τιμολογίου που καταρτίστηκε από τον μεταπωλητή για τον τελικό χρήστη.

Οι φυσιολογικές φθορές ή εκλείψεις που θα προκληθούν από μη φυσιολογική ή μη επιτρεπτή χρήση ή συντήρηση, ή από υπερφόρτιση δεν καλύπτονται από την παρούσα εγγύηση καθώς και τα εξαρτήματα όπως μπαταρίες, λάμπες, μύτες, σασούλες.

Σε περίπτωση κακής λειτουργίας κατά την περίοδο εγγύησης, παρακαλείστε να απευθύνετε το προϊόν ΧΩΡΙΣ ΝΑ ΤΟ ΑΝΟΙΞΕΤΕ, με την απόδειξη αγοράς στον προμηθευτή σας ή στο κοντινότερο Κέντρο Τεχνικής Εξυπηρέτησης Ryobi.

Τα νόμιμα δικαιώματά σας που αφορούν στα ελαττωματικά προϊόντα δεν αμφισβητούνται από την παρούσα εγγύηση.

ΕΞΟΥΣΙΟΔΟΤΗΜΕΝΟ ΚΕΝΤΡΟ ΣΕΡΒΙΣ

Για να εντοπίσετε ένα εξουσιοδοτημένο κέντρο σέρβις στην περιοχή σας, επισκεφτείτε τη σελίδα ryobitools.eu.

TR GARANTİ - ŞARTLAR

Bu Ryobi ürünün, üretim hatalarına ve kusurlu parçalara karşı satıcı tarafından son kullanıcıya verilmiş olan orijinal fatura tarihinden itibaren yirmi dört (24) ay boyunca garantilidir.

Normal kullanım sonucunda yıpranmalar, anormal ya da izin verilmeyen kullanım ya da bakım, ya da aşırı yüklenme ve ayrıca bataryalar, ampuller, bıçaklar, rakorlar, torbalar gibi aksesuarlar söz konusu garantinin dışındadır. Garanti önemli süresinde meydana gelen bir anda durumunda, ürünü SÖKMEĐEN satınalma belgesi ile yetkili satıcınıza ya da size en yakın Ryobi Yetkili Servis Merkezi'ne gönderiniz. Bu garanti, defolu mallara ilişkin yasal haklarınızın hiçbir şekilde etkilemez.

YETKİLİ SERVİS MERKEZİ

En yakın yetkili servis merkezini öğrenmek için ryobitools.eu sitesine girin.



EN WARNING

The vibration emission level given in this information sheet has been measured in accordance with a standardised test given in EN 60745 and may be used to compare one tool with another. It may be used for a preliminary assessment of exposure. The declared vibration emission level represents the main applications of the tool. However if the tool is used for different applications, with different accessories or poorly maintained, the vibration emission may differ. This may significantly increase the exposure level over the total working period.

An estimation of the level of exposure to vibration should also take into account the times when the tool is switched off or when it is running but not actually doing the job. This may significantly reduce the exposure level over the total working period. Identify additional safety measures to protect the operator from the effects of vibration such as: maintain the tool and the accessories, keep the hands warm, organisation of work patterns.

FR AVERTISSEMENT

Le niveau d'émission des vibrations indiqué dans cette feuille d'information a été mesuré en concordance avec un test normalisé fourni par EN60745 et peut être utilisé pour comparer un outil à un autre. Il peut être utilisé pour une évaluation préliminaire de l'exposition. Le niveau déclaré d'émission des vibrations s'applique à l'utilisation principale de l'outil. Toutefois, si l'outil est utilisé pour des applications différentes, avec des accessoires différents, ou mal entretenu, l'émission de vibrations peut être différente. Le niveau d'exposition peut en être augmenté de façon significative tout au long de la période de travail.

Une estimation du niveau d'exposition aux vibrations doit aussi prendre en compte les périodes où l'outil est arrêté ainsi que les périodes où il fonctionne sans vraiment travailler. Le niveau d'exposition pendant la durée totale du travail peut en être réduit de façon significative. Prenez en considération les mesures additionnelles de sécurité à prendre pour protéger l'opérateur des effets des vibrations telles que: maintien de l'outil et de ses accessoires, maintien des mains au chaud, organisation du travail.

DE WARNUNG

Der in diesem Informationsblatt genannte Schwingungspegel wurde entsprechend dem standardisierten Test von EN60745 gemessen und kann benutzt werden um das Werkzeug mit anderen zu vergleichen. Er kann benutzt werden, um eine vorausgehende Einschätzung der Exposition durchzuführen. Der genannte Schwingungspegel repräsentiert den Haupteinsatzbereich des Werkzeugs. Jedoch kann das Werkzeug für verschiedene Einsatzbereiche benutzt werden. Mit unterschiedlichen Zusatzgeräten oder bei schlechter Wartung kann der Schwingungspegel unterschiedlich sein. Dadurch kann die Expositionshöhe über die gesamte Arbeitszeit signifikant erhöht werden.

Eine Einschätzung der Exposition zu Schwingungen sollte auch die Zeiten wenn das Werkzeug ausgeschaltet ist, oder wenn es angeschaltet aber nicht in Betrieb ist, in Betracht ziehen. Dadurch kann die Expositionshöhe über die gesamte Arbeitszeit signifikant reduziert werden. Identifizieren Sie zusätzliche Sicherheitsmaßnahmen um die Bedienungsperson vor den Effekten der Schwingungen zu schützen, wie zum Beispiel: Das Werkzeug und Zusatzgeräte warten, Hände warmhalten und Organisation der Arbeitszeiten.

ES ADVERTENCIA

El nivel de emisión de las vibraciones que figura en esta hoja de información se ha medido según una prueba estandarizada que figura en EN60745 y puede ser utilizado para comparar una herramienta con otra. Puede ser utilizado para una evaluación preliminar de la exposición. El nivel de emisión de las vibraciones declarado representa las principales aplicaciones de la herramienta. No obstante, si la herramienta se utiliza para diferentes aplicaciones, con diferentes accesorios o no recibe el mantenimiento adecuado, la emisión de las vibraciones puede ser diferente. Esto puede aumentar significativamente el nivel de exposición durante el período de trabajo total.

Una estimación del nivel de exposición a la vibración también debe tener en cuenta el tiempo en el que la herramienta está desconectada o cuando está conectada pero no está realizando ningún trabajo. Esto puede reducir significativamente el nivel de exposición durante el período de trabajo total. Identificar las medidas de seguridad adicionales para proteger al operador de los efectos de las vibraciones, tales como: mantenimiento de la herramienta y de los accesorios, y la organización de los patrones de trabajo.

IT AVVERTENZE

Il livello di vibrazioni indicato in questo foglio informativo è stato misurato seguendo un test svolto secondo i requisiti indicati dallo standard EN60745 e potrà essere utilizzato per paragonare un utensile con un altro. Potrà essere utilizzato per una valutazione preliminare dell'esposizione a vibrazioni. Il livello dichiarato di emissioni di vibrazioni viene indicato tenendo conto delle applicazioni principali dell'utensile. Comunque se l'utensile viene utilizzato per applicazioni diverse con accessori diversi o non viene correttamente conservato, il livello delle vibrazioni potrà variare. Ciò potrà significativamente aumentare il livello di esposizione alle vibrazioni durante il periodo di lavoro totale.

Una valutazione del livello di esposizione alle vibrazioni dovrà inoltre prendere in considerazione i tempi in cui l'utensile viene spento o è acceso ma non viene utilizzato. Ciò potrà significativamente ridurre il livello di esposizione in un periodo totale di funzionamento. Ulteriori misure di sicurezza per proteggere l'operatore dagli effetti delle vibrazioni come: conservare correttamente l'utensile e i suoi accessori, tenere le mani calde e organizzare i tempi di lavoro.

NL WAARSCHUWING

Het trillingsemissieniveau dat op dit informatieblad wordt gegeven, is gemeten in overeenstemming met een gestandaardiseerde test, vastgelegd in EN60745 en mag worden gebruikt om machines met elkaar te vergelijken. Het verklaarde trillingsemissieniveau geeft de hoofdtoepassing van het gereedschap weer. Als de machine echter voor andere toepassingen of met andere accessoires wordt gebruikt of slecht wordt onderhouden, kan de trillingsemissie verschillen. Dit kan de blootstelling gedurende de gehele werkdur aanzienlijk verhogen.

Bij een schatting van het niveau van blootstelling aan trillingen moet ook rekening worden gehouden met het aantal keren dat de machine wordt uitgeschakeld of draait, maar niet wordt gebruikt. Dit kan het niveau van blootstelling gedurende de gehele werkdur aanzienlijk verlagen. Stel bijkomende veiligheidsmaatregelen op om de gebruiker tegen de gevolgen van trillingen te beschermen: zoals onderhoud het gereedschap en de accessoires, houd de handen warm, de organisatie van werkpatronen.

PT AVISO

O nível de emissão de vibrações fornecido nesta folha de informações foi medido em conformidade com o teste uniformizado descrito em EN60745 e pode ser usado para comparar uma ferramenta com outra. Este pode ser usado para uma avaliação preliminar da exposição. O nível de emissão de vibração declarado refere-se à aplicação principal da ferramenta. Contudo, se a ferramenta for usada para aplicações diferentes, com acessórios diferentes ou não for devidamente mantida, a emissão de vibrações pode diferir. Isto pode fazer aumentar significativamente o nível de exposição ao longo do período de trabalho total.

Uma estimativa do nível de exposição às vibrações deve ter, também, em consideração o tempo durante o qual a ferramenta está desligada ou em que está ligada mas não está a realizar qualquer trabalho. Isto pode reduzir significativamente o nível de exposição durante o período total de trabalho. Identifique medidas adicionais de segurança que protejam o operário dos efeitos da vibração como a manutenção da ferramenta e dos acessórios, a manutenção das mãos quentes e a organização de padrões de trabalho.

DA ADVARSEL

Det angivne niveau for vibrationsemission på denne oplysningsside er blevet målt iht. en standardtest ifølge EN60745 og kan bruges til at sammenligne værktøjer indbyrdes. Det kan bruges til en foreløbig eksponeringsvurdering. Det opgivne niveau for vibrationsemission gælder, når værktøjet bruges til sit hovedformål. Men hvis værktøjet bruges til andre formål, med forskelligt eller med dårligt vedligeholdt ekstraudstyr, kan vibrationsemissionen variere. Dette kan medføre en betragtelig stigning i eksponeringsniveauet set over hele arbejdsperioden.

Et skøn over niveauet for vibrationseksponering bør også tage højde for de perioder, hvor værktøjet er slukket, eller hvor det er tændt uden faktisk at være i brug. Dette kan medføre en betragtelig reduktion i eksponeringsniveauet set over hele arbejdsperioden. Træf ekstra sikkerhedsforanstaltninger til beskyttelse af operatøren mod virkningerne fra vibrationen som fx: vedligeholdelse værktøj og ekstraudstyr, holde hænderne varme, organisere arbejdsmonter.

SV VARNING

Vibrationsnivåerna som uppges i det här dokumentet har uppmäts i enlighet med ett standardiserat test som beskrivs i EN60745 och som kan användas för att jämföra verktyg. Det kan användas som en preliminär bedömning av den vibration som användaren utsätts för. De deklarerade vibrationsvärdena motsvarar de som uppstår när verktyget används i sitt huvudsyfte. Om verktyget används i andra syften, med andra tillbehör eller om verktyget är dåligt underhållet kan vibrationsnivåerna vara annorlunda. Det kan kraftigt öka vibrationsnivåerna över den totala arbetsperioden.

En uppskattning av vibrationsnivåerna som användaren utsätts för ska också ta hänsyn till de stunder då verktyget är avstängt och när det går på tomgång. Detta kan kraftigt minska vibrationsnivåerna över den totala arbetsperioden. Andra säkerhetsåtgärder som kan skydda användaren från effekterna av vibrationer är: underhållning av verktyget och tillbehören, hålla händerna varma och organisera arbetsstället.

FI VAROITUS

Tämän tiedotteen tärnätaso on mitattu EN60745-standardien mukaisilla testillä, ja niitä voidaan käyttää verrattaessa laitteita toiseen. Sitä voidaan käyttää arvioitaessa tärinävaikutusta. Ilmoitettu tärnätaso vastaa laitteen pääasiallista käyttötarkoitusta. Jos laitetta kuitenkin käytetään muuhun tarkoitukseen, muilla lisälaitteilla tai huonosti huollettuna, tärnätaso saattaa poiketa ilmoitetusta arvosta. Tämä voi kasvatata kokonaisaltistumista huomattavasti koko työjakson kuluessa.

Tämänä alituumistatasa arvioitaessa tulee huomiodia ajat, jolloin laite on sammutettu tai kun se on käynnissä, mutta sitä ei käytetä varsinaiseen työskentelyyn. Tämä voi vähentää kokonaisaltistumista huomattavasti koko työjakson kuluessa. Käytä muitakin suojaajinejoa turvatakseesi käyttäjän tärinävaikutuksia, kuten: huolla laite ja lisälaitteet, pidä kätesi lämpiminä, organisoi työnkulku.

NO ADVARSEL

Vibrasjonsnivået som oppgis på dette informasjonssarket er målt i henhold til en standardisert test gitt i EN60745 og kan brukes til å sammenligne ett verkøy med et annet. Det kan brukes til en foreløpig vurdering av eksponering. Det erklærte vibrasjonsnivået representerer hovedanvendelsen for verktøyet. Dersom verktøyet brukes for andre anvendelser, med forskjellig tilbehør eller med dårlig vedlikehold, vil vibrasjonsnivået kunne være annerledes. Det kan gi en betydelig økning av eksponeringsnivået over den totale arbeidsperioden.

En beregning av nivået for eksponering til vibrasjoner må også ta hensyn til den tiden verktøyet er slått av eller er i gang men ikke i faktisk bruk for å utføre den tiltenkte oppgaven. Dette kan gi en betydelig økning av eksponeringsnivået over den totale arbeidsperioden. Identifiser ytterligere sikkerhetstiltak for å beskytte den som bruker verktøyet fra virkningen av vibrasjoner, tiltak som: Vedlikehold verktøyet og tilbehøret, hold hendene varme, organiser arbeidsmetoden.

RU ОСТОРОЖНО!

Уровень вибрации, приведенный в данном справочном листе, измерен согласно стандартизованным испытаниям, определенным в EN60745 и может использоваться для сравнения различных инструментов. Значение уровня может использоваться для предварительной оценки влияния вибрации. Заявленный уровень вибрации действителен для основного применения инструмента. Однако, если инструмент используется для других целей, с другими приспособлениями, или плохо обслуживается, уровень вибрации может отличаться от указанного. Это может значительно увеличить величину воздействия за общее время работы.

При оценке уровня воздействия вибрации следует также принять во внимание время простоя в холодной ход (когда инструмент выключен и когда включен, но работа не производится). Эти факторы могут значительно уменьшить величину воздействия вибрации за общее время работы. Определите дополнительные меры безопасности, защищающие работающего от влияния вибрации: техническое обслуживание инструмента и принадлежностей, недопущение охлаждения рук, соответствующие приемы и распорядок работы.

PL OSTRZEŻENIE

Deklarowany poziom drgań został zmierzony za pomocą standardowej metody pomiaru określonej normą EN60745 i jego wyniki mogą służyć do porównywania tego urządzenia z innymi. Deklarowana wartość drgań może służyć do wstępnej oceny narażenia operatora na drgania. Deklarowany poziom drgań dotyczy podstawowych zastosowań urządzenia. Jednak w przypadku użycia urządzenia do innych zastosowań, z innymi przystawkami lub w przypadku niewłaściwego stanu technicznego urządzenia poziom drgań może odbiegać od deklarowanego. Może być to przyczyną zwiększenia stopnia narażenia operatora na drgania w całym okresie wykonywania pracy.

Podczas oceny narażenia na drgania należy również uwzględnić czas wyłączenia urządzenia oraz czas, w którym urządzenie jest włączone, jednak praca nie jest wykonywana. Czasy te mogą znacznie zmniejszyć stopień narażenia operatora na drgania w całym okresie wykonywania pracy. Należy określić dodatkowe środki ochrony operatora przed skutkami drgań, przykładowo: dbać o stan techniczny urządzenia i przystawek, dbać o zachowanie ciepłoty dłoni, odpowiednio zorganizować harmonogram wykonywania prac.

CS VAROVÁNÍ

Hodnota vibračních emisí uvedená v tomto informačním listu byla naměřena standardizovaným testem podle EN60745 a ji použít k porovnání s hodnotami jiných nástrojů. Může se používat k předběžnému odhadu vystavování vibračím. Uznaná hodnota vibračních emisí reprezentuje hlavní použití nástroje. Nicméně pokud se nástroj používá pro jiné použití, s různými doplňky nebo se nedostatečně neudržuje, mohou se vibrační emise lišit. Toto může výrazně zvýšit úroveň vystavení nad celkové pracovní období.

Odhad úrovně vystavení vibračím by měl vzít taktéž v potaz časy, kdy je chvění vypnuto, nebo když přístroj běží, ale nevykonává práci. Toto může výrazně snížit úroveň vystavení nad celkové pracovní období. Určete doplňující bezpečnostní opatření pro ochranu obsluhy před různými vibračím, například: Udržujte nástroj a doplňky, udržujte ruce v teple, organizujte pracovní schéma.

HU FIGYELMEZTETÉS

A vibráció-kibocsátás adatlapon megadott értéke az EN60745 által meghatározott szabványosított mérési eljárás szerint lett megmérve, amely lehetővé teszi a különböző szerszámok összehasonlítását. Használható a kitettséggel előzetes felmérésére is. A nyilatkozatban szereplő kibocsátási érték a szerszám főbb alkalmazási területeire vonatkozik. Ugyanakkor, ha a szerszámot más alkalmazásokra, más kiegészítőkkel használják vagy rosszul tartják karban, a vibráció-kibocsátás értéke ettől eltérő is lehet. Ez jelentősen növelheti a kitettség szintjét a gép teljes használati időtartama során.

A vibrációnak való kitettség szintjének becslésekor figyelembe kell venni azokat az időintervallumokat is, amikor a szerszám ki van kapcsolva, vagy működik, de nem végeznek munkát vele. Ez jelentősen csökkentheti a kitettség szintjét a gép teljes használati időtartama során. Tegyén továbbá óvintézkedéseket a kezelő vibrációval szembeni megvédése érdekében: tartsa karban a szerszámot és a tartozékokat, tartsa melegén a kezét, tervezzé meg a munkafolyamatot.

RO AVERTISMENT

Nivelul emisiilor de vibrații prezentat în cadrul acestei fișe cu informații a fost măsurat în conformitate cu un test standardizat furnizat în EN60745 și poate fi folosit la a compara o unaltă cu o alta. Poate fi folosit la a evalua preliminară a expunerii. Nivelul declarat al emisiilor de vibrații reprezintă aplicațiile principale ale uneltii. Cu toate acestea, în cazul în care unaltă este utilizată pentru aplicații diferite, cu accesorii diferite sau întreținute necorespunzător, emisiile de vibrații pot diferi. Acestea pot crește semnificativ nivelul de expunere pe întreaga perioadă de lucru.

O estimare a nivelului de expunere la vibrații trebuie, de asemenea, să țină cont de datele în care unaltă este oprită sau de datele în care aceasta funcționează fără a efectua propriu-zis sarcina de lucru. Acestea pot reduce semnificativ nivelul de expunere pe întreaga perioadă de lucru. Identificați măsuri de siguranță suplimentare pentru a proteja operatorul de efectele vibrațiilor, precum: Întreținerea uneltii și a accesoriilor, păstrarea mâinilor calde, organizarea de modele de lucru.



LV BRĪDINĀJUMS

Šajā datu lapā dotā vibrāciju emisijas vērtība ir mērīta saskaņā ar standartizēto testu, kas dots EN60745 un kuru var izmantot, lai saīdzinātu vienu instrumentu ar citu. To var izmantot aptuvenam ekspozīcijas novērtējumam. Deklarētais vibrāciju emisijas līmenis atbilst galvenajiem instrumenta pielietojumiem. Tomēr, ja instrumentu lieto citiem pielietojumiem, ar citiem piederumiem vai tas tiek slikti apkopīts, vibrāciju emisijas vērtība var atšķirties. Tas var ievērojami palielināt ekspozīcijas līmeni visā darba periodā.

Vibrāciju ekspozīcijas līmeņa novērtējumam jāņem vērā laiks, kad instruments ir izslēgts vai ir ieslēgts, bet nevis nekādu darbu. Tas var ievērojami samazināt ekspozīcijas līmeni visā darba periodā. Identificējiet papildu drošības pasākumus, lai aizsargātu operatoru no vibrāciju iedarbības, piemēram, veiciet instrumenta un piederumu apkopi, turiet rokas siltas un pielāgojiet darba grafiku.

LT ĮSPĖJIMAS

Šiame lape nurodytas vibracijos emisijos lygis buvo išmatuotas pagal standartinį testą, aprašytą EN60745, ir gali būti naudojamas vieno įrankio su kitu palyginimui. Jis gali būti naudojamas preliminariam pavojaus įvertinimui. Deklaruotas vibracijos emisijos lygis priskiriamas pagrindinėms įrankio taikymo srityms. Tačiau, jei įrankis naudojamas kitims tikslams, su kitokiais priedais ar įrankis prastai prižiūrimas, vibracijos emisija gali skirtis. Per visą darbo laikotarpį tai gali žymiai padidinti vibracijos keliamą pavojų.

Nustatant vibracijos keliamą pavojų taip pat būtina atsižvelgti į tai, kiek kartų įrankis yra išjungtas ar kai jis veikia, bet juo iš tikrųjų nedirbama. Per visą darbo laikotarpį tai gali žymiai sumažinti vibracijos keliamą pavojų. Naudokite papildomas apsaugos priemones dirbančiam asmeniui apsaugoti nuo vibracijos poveikio, pvz.: prižiūrėti įrankį ir jo priedus, rankas laikyti šiltais, organizuoti darbo sesijas.

ET HOIATUS

Sellel infolehel esitatud vibratsioonitaseme väärtus on mõõdetud standardis EN60745 kirjeldatud katsemeetodiga ja seda võib kasutada tööriistade omavaheliseks võrdlemiseks. Seda võib kasutada vibratsioonimõju eelhindamiseks. Deklareeritud vibratsioonitaseme väärtus kehtib tööriista tavakasutamisel. Kui aga kasutate tööriista muudeks kasutusotstarveteks, eriotstarbelistest tarvikutega või kui tööriist on puudulikult hooldatud, siis võib vibratsiooniväärtus erineda. Sellistel juhtudel võib tööperioodi summaarne vibratsioonitase suurenda märgatavalt.

Vibratsiooniväärtuse taset tuleb arvesse võtta ka sel ajal, kui tööriist on välja lülitatud või kui tööriist töötleb, kuid ei tee tööoperatsiooni. Sellistel juhtudel võib tööperioodi ajal summaarne vibratsioonitase väheneda märgatavalt. Määrake kindlaks täiendavad ohutusmeetmed, et kaitsa operatoorit vibratsioonimõjude eest – tööriistade ja tarvikute hooldamine, käte soojas hoidmine ja töövahetuste organiseerimine.

HR UPOZORENJE

Razina vrijednosti vibracija data u ovoj tablici s informacijama mjerena je sukladno normiranom testu pruženom u EN60745 i može se koristiti za usporedbu jednog alata s drugim. Može se koristiti u početnom usklađivanju izloženosti. Objavljena razina vrijednosti vibracija predstavlja glavnu primjenu alata. Međutim, ako se alat koristi za druge primjene, s različitim dodatnim priborom ili je slabo održavan, vrijednost vibracija može se razlikovati. Ovo može značajno povećati razinu izloženosti tijekom ukupnog radnog razdoblja.

U procjeni razine izloženosti na vibraciju također treba uzeti u obzir vrijeme kada je alat isključen ili kada je pokrenut no ne i stvarno vrijeme rada. Ovo može značajno smanjiti razinu izloženosti tijekom ukupnog radnog razdoblja. Odredite dodatne sigurnosne mjere za zaštitu operatera od učinaka vibracije poput: održavanje alata i pribora, održavanje toplih ruku, organizacija obrazaca za rad.

SL OPOZORILO

Nivo emisij vibracij, naveden v tem informacijskem listu, je bil izmerjen v skladu s standardiziranim testom, ki je podan v EN60745, podatke pa se lahko uporablja za primerjavo enega orodja z drugim. Uporablja se ga lahko za predhodno oceno izpostavljenosti. Naveden nivo emisij vibracij predstavlja glavne uporabe orodja. Vendar, če se orodje uporablja v druge namene in z različnimi nastavitvami oz. če je orodje slabo vzdrževano, se lahko emisije vibracij razlikujejo. To lahko občutno poveča nivo izpostavljenosti v skupnem delovnem času.

Ocena nivoja izpostavljenosti vibracijam bi morala prav tako upoštevati, koliko krat je orodje bilo izključeno ali je v delovanju in pravzaprav ne opravlja svojega dela. To lahko občutno zmanjša nivo izpostavljenosti v skupnem delovnem času. Upoštevajte dodatne varnostne ukrepe, da bi upravljalca zaščitili pred vplivom vibracij, kot je: vzdržujte orodje in nastavke, pazite, da so roke tople, organizirajte delovne vzorce.

SK VAROVANIE

Úroveň emisie vibrácií, uvedená v tomto informačnom hárku bola nameraná v súlade so štandardizovaným testom, daný normou EN60745 a môže sa použiť na porovnanie jedného nástroja s druhým. Môže sa použiť na predbežné určenie miery vystavenia sa vibráciám. Uvedená úroveň emisie vibrácií predstavuje hlavné aplikácie nástroja. Avšak keď sa nástroj používa na iné aplikácie, s rôznym prislúšenstvom alebo má inú údržbu, úroveň vibrácií sa môže líšiť. Týmto sa môže výrazne zvýšiť úroveň vystavenia sa vibráciám počas celkového času práce.

Odhad úrovne vystavenia sa vibráciám by sa mal brať tiež do úvahy, vždy, keď sa nástroj vypne, alebo potom, keď beží ale v skutočnosti sa nevykonáva práca. Týmto sa môže výrazne znížiť úroveň vystavenia sa vibráciám počas celkového času práce. Nasledovné doplnujúce bezpečnostné opatrenia pomôhajú chrániť operátora od účinkov vibrácií: údržba nástroja a prislúšenstva, udržiavanie teplých rúk, organizácia práce.

EL ΠΡΟΕΙΔΟΠΟΙΗΣΗ

Τα επίπεδα εκπομπών κραδασμών που παρέχονται στο παρόν ενημερωτικό φυλλάδιο, έχουν μετρηθεί βάσει τυποποιημένης δοκιμής που προβλέπεται στο EN60745 και μπορούν να συγκριθούν για τη σύγκριση του εργαλείου με άλλα. Μπορούν επίσης να χρησιμοποιηθούν για προκαταρκτική αξιολόγηση της έκθεσης. Τα δηλωμένα επίπεδα εκπομπών κραδασμών αφορούν τις βασικές εφαρμογές του εργαλείου. Ωστόσο, αν το εργαλείο χρησιμοποιείται για διαφορετικές εφαρμογές, με διαφορετικά εξαρτήματα ή με κακή συντήρηση, η εκπομπή κραδασμών μπορεί να διαφέρει. Αυτό μπορεί να αυξήσει σημαντικά το επίπεδο έκθεσης στη συνολική περίοδο εργασίας.

Η εκτίμηση των επιπέδων έκθεσης σε κραδασμούς θα πρέπει επίσης να λαμβάνει υπόψη τις χρονικές περιόδους κατά τις οποίες το εργαλείο είναι απενεργοποιημένο ή λειτουργεί χωρίς να χρησιμοποιείται σε συγκεκριμένη εργασία. Αυτό μπορεί να μειώσει σημαντικά το επίπεδο έκθεσης στη συνολική περίοδο εργασίας. Εφαρμόστε επιπρόσθετα μέτρα ασφαλείας για την προστασία του χειριστή από τις επιπτώσεις των κραδασμών, όπως τα εξής: συντηρείτε το εργαλείο και τα εξαρτήματα, διατηρείτε τα χέρια ζεστά, οργανώστε μορφή εργασίας.

TR UYARI

Bu bilgi sayfasında verilen titreşim emisyon seviyesi, EN60745 standardında belirtilen standartlaştırılmış bir teste uygun olarak ölçülmüş ve bir aleti diğerleriyle karşılaştırmak için kullanılabılır. Ön maruz kalma tespiti için kullanılabılır. Beyan edilen titreşim emisyon seviyesi aletin asıl uygulamalarını temsil etmemektedir. Ancak alet, farklı aksesuarlarla veya yetersiz bakımlı olarak farklı uygulamalar için kullanılırsa titreşim emisyonu değişebilir. Bu durum toplam çalgışma süresi boyunca maruz kalma seviyesini önemli ölçüde artırır.

Titreşime maruz kalma seviyesinin değerlendirilmesi aynı zamanda alet kapalı ve arından çalgışma ancak gerçek anlamda iş yapmadığı zamanlar da göz önünde bulundurulmalıdır. Bu durum toplam çalgışma süresi boyunca maruz kalma seviyesini önemli ölçüde azaltır. Operatörü titreşimin etkilerinden korumak için ilave güvenlik önlemleri belirleyin, örneğin: aletin ve aksesuarlarının bakımını yapın, operatörün ellerini sıcak tutun, çalgışma modellerini organize etme.

EN EC declaration of conformity

Technronic Industries GmbH
Max-Eyth-Straße 10, D-71364 Winnenden, Germany

Herewith we declare that the product
Cordless Angle Grinder
R18AG
S/N: 043002 01 000001 – 043002 01 999999

is in conformity with the following standards or standardized documents
2011/65/EU, 2006/42/EC, 2004/108/EC,
EN 60745-2-3:2011, EN 60745-1:2009+A11:2010,
EN 55014-1:2006+A1:2009+A2:2011, EN 55014-2:1997+A1:2001+A2:2008

Sound pressure level [K=3dB(A)]: 80,0 dB (A)
Sound power level [K=3dB(A)]: 91,0 dB (A)

Weighted root mean
The vibration total values(triax vector sum) determined according to EN60745:
vibration emission value ah, D = 6,9 m/s² (Uncertainty K = 1,5 m/s²)

Brian Ellis
Vice President of Engineering
Winnenden, Oct. 31, 2012

Authorised to compile the technical file:
Rainer Kumpf
Technronic Industries GmbH
Max-Eyth-Straße 10, D-71364 Winnenden, Germany

CE 2012

DE EC KONFORMITÄTSERKLÄRUNG

Technronic Industries GmbH
Max-Eyth-Straße 10, D-71364 Winnenden, Germany

Hiermit erklären wir, dass die Produkte
Akku-Winkelschleifer
R18AG
S/N: 043002 01 000001 – 043002 01 999999

mit den folgenden Normen oder normativen Dokumenten übereinstimmt
2011/65/EU, 2006/42/EC, 2004/108/EC,
EN 60745-2-3:2011, EN 60745-1:2009+A11:2010,
EN 55014-1:2006+A1:2009+A2:2011, EN 55014-2:1997+A1:2001+A2:2008

Schalldruckpegel [K=3dB(A)]: 80,0 dB (A)
Schallenergiepegel [K=3dB(A)]: 91,0 dB (A)

Quadratischer Mittelwert
Die Vibrationsgesamtwerte (triaxiale Vektorensumme) ermittelt nach EN60745:
Vibrationsemissionswert ah, D = 6,9 m/s² (Unsicherheit K = 1,5 m/s²)

Brian Ellis
Vice President of Engineering
Winnenden, Oct. 31, 2012

Autorisiert die technische Datei zu erstellen:
Rainer Kumpf
Technronic Industries GmbH
Max-Eyth-Straße 10, D-71364 Winnenden, Germany

CE 2012

FR DÉCLARATION DE CONFORMITÉ EC

Technronic Industries GmbH
Max-Eyth-Straße 10, D-71364 Winnenden, Germany

Déclarons par la présente que le produit
Meuleuse D'angle Sans-Fil
R18AG
S/N: 043002 01 000001 – 043002 01 999999

est en conformité avec les normes ou documents normalisés suivants
2011/65/EU, 2006/42/EC, 2004/108/EC,
EN 60745-2-3:2011, EN 60745-1:2009+A11:2010,
EN 55014-1:2006+A1:2009+A2:2011, EN 55014-2:1997+A1:2001+A2:2008

Niveau de pression sonore [K=3dB(A)]: 80,0 dB (A)
Niveau de puissance sonore [K=3dB(A)]: 91,0 dB (A)

Valeur pondérée moyenne
La valeur totale des vibrations (somme vectorielle triaxiale) déterminée selon
EN60745:
valeur d'émission de vibrations ah, D = 6,9 m/s² (Incertitude K = 1,5 m/s²)

Brian Ellis
Vice président de l'Ingénierie
Winnenden, Oct. 31, 2012

Autorisé à rédiger le dossier technique:
Rainer Kumpf
Technronic Industries GmbH
Max-Eyth-Straße 10, D-71364 Winnenden, Germany

CE 2012

ES DECLARACIÓN EC DE CONFORMIDAD

Technronic Industries GmbH
Max-Eyth-Straße 10, D-71364 Winnenden, Germany

Por la presente declaramos que los productos
Esmeril Angular Inalámbrico
R18AG
S/N: 043002 01 000001 – 043002 01 999999

es conforme a las siguientes normas o documentos normalizados
2011/65/EU, 2006/42/EC, 2004/108/EC,
EN 60745-2-3:2011, EN 60745-1:2009+A11:2010,
EN 55014-1:2006+A1:2009+A2:2011, EN 55014-2:1997+A1:2001+A2:2008

Nivel de presión sonora [K=3dB(A)]: 80,0 dB (A)
Nivel de potencia acústica [K=3dB(A)]: 91,0 dB (A)

Valor medio ponderado
Los valores de vibración total (suma de vectores triax.), determinado según la
norma EN60745:
valor de emisión de vibración ah, D = 6,9 m/s² (Incertidumbre K = 1,5 m/s²)

Brian Ellis
Vicepresidente de Ingeniería
Winnenden, Oct. 31, 2012

Autorizado para elaborar la ficha técnica:
Rainer Kumpf
Technronic Industries GmbH
Max-Eyth-Straße 10, D-71364 Winnenden, Germany

CE 2012

IT DICHIARAZIONE DI CONFORMITÀ EC

Techtronic Industries GmbH
Max-Eyth-Straße 10, D-71364 Winnenden, Germany

Si dichiara con la presente che il prodotto

Levigatrice Angolare Senza Cavo

R18AG

S/N: 043002 01 000001 – 043002 01 999999

è conforme alle seguenti normative e ai relativi documenti

2011/65/EU, 2006/42/EC, 2004/108/EC,
EN 60745-2-3:2011, EN 60745-1:2009+A11:2010,
EN 55014-1:2006+A1:2009+A2:2011, EN 55014-2:1997+A1:2001+A2:2008

Livello pressione sonora [K=3dB(A)]: 80,0 dB (A)

Livello potenza sonora [K=3dB(A)]: 91,0 dB (A)

Valore quadratico medio ponderato

I valori totali delle vibrazioni (somma di vettori in tre direzioni) sono misurati conformemente alla norma EN60745:

valore di emissioni vibrazioni ah, D = 6,9 m/s² (Incertezza K = 1,5 m/s²)

Brian Ellis

Vice presidente sezione ingegneria

Winnenden, Oct. 31, 2012

Autorizzato per compilare il file tecnico:

Rainer Kumpf

Techtronic Industries GmbH

Max-Eyth-Straße 10, D-71364 Winnenden, Germany

CE 2012

PT DECLARAÇÃO EC DE CONFORMIDADE

Techtronic Industries GmbH
Max-Eyth-Straße 10, D-71364 Winnenden, Germany

Pelo presente declaramos que os produtos

Afiadora Angular Sem Fios

R18AG

S/N: 043002 01 000001 – 043002 01 999999

cumpra as seguintes normas ou documentos normativos

2011/65/EU, 2006/42/EC, 2004/108/EC,
EN 60745-2-3:2011, EN 60745-1:2009+A11:2010,
EN 55014-1:2006+A1:2009+A2:2011, EN 55014-2:1997+A1:2001+A2:2008

Nível da pressão sonora [K=3dB(A)]: 80,0 dB (A)

Nível de potência do som [K=3dB(A)]: 91,0 dB (A)

Média quadrática ponderada

Os valores totais de vibração (soma do vector triax) são determinados em conformidade com a EN60745:

valor de emissão de vibração ah, D = 6,9 m/s² (Incerteza K = 1,5 m/s²)

Brian Ellis

Vice-presidente de Engenharia

Winnenden, Oct. 31, 2012

Autorizado para compilar o ficheiro técnico:

Rainer Kumpf

Techtronic Industries GmbH

Max-Eyth-Straße 10, D-71364 Winnenden, Germany

CE 2012

NL EC CONFORMITEITSVERKLARING

Techtronic Industries GmbH
Max-Eyth-Straße 10, D-71364 Winnenden, Germany

Hierbij verklaren wij dat het product

Snoerloze Hoekslipmachine

R18AG

S/N: 043002 01 000001 – 043002 01 999999

volvoet aan de volgende normen of normatieve documenten

2011/65/EU, 2006/42/EC, 2004/108/EC,
EN 60745-2-3:2011, EN 60745-1:2009+A11:2010,
EN 55014-1:2006+A1:2009+A2:2011, EN 55014-2:1997+A1:2001+A2:2008

Geluidsdrukniveau [K=3dB(A)]: 80,0 dB (A)

Geluidsvermogensniveau [K=3dB(A)]: 91,0 dB (A)

Gewogen gemiddelde

De totale trillingswaarden (triaxale vectorsom) vastgesteld in overeenstemming met EN60745:

trillingsemissiewaarde ah, D = 6,9 m/s² (Onzekerheid K = 1,5 m/s²)

Brian Ellis

Vice President Ontwerp

Winnenden, Oct. 31, 2012

Afgevaardigd voor het samenstellen van de technische fiche:

Rainer Kumpf

Techtronic Industries GmbH

Max-Eyth-Straße 10, D-71364 Winnenden, Germany

CE 2012

DA EC OVERENSSTEMMELSESERKLÆRING

Techtronic Industries GmbH
Max-Eyth-Straße 10, D-71364 Winnenden, Germany

Vi erklærer hermed, at produktet

Trådløs Vinkelsliber

R18AG

S/N: 043002 01 000001 – 043002 01 999999

er i overensstemmelse med følgende standarder eller standardiseringsdokumenter

2011/65/EU, 2006/42/EC, 2004/108/EC,
EN 60745-2-3:2011, EN 60745-1:2009+A11:2010,
EN 55014-1:2006+A1:2009+A2:2011, EN 55014-2:1997+A1:2001+A2:2008

Lydtryksniveau [K=3dB(A)]: 80,0 dB (A)

Lydeffektniveau [K=3dB(A)]: 91,0 dB (A)

Vægtet geometrisk middelværdi

Totale vibrationsværdier (triax vector sum) afgøres ifølge EN60745:

vibrations emissionsværdi ah, D = 6,9 m/s² (Usikkerhed K = 1,5 m/s²)

Brian Ellis

Vicepræsident for teknik

Winnenden, Oct. 31, 2012

Bemyndiget til at udarbejde det tekniske kartotek:

Rainer Kumpf

Techtronic Industries GmbH

Max-Eyth-Straße 10, D-71364 Winnenden, Germany

CE 2012

SV EC-DEKLARATION ANGÅENDE ÖVERENSSTÄMMIGHET

Techtronic Industries GmbH
Max-Eyth-Straße 10, D-71364 Winnenden, Germany

Härmed deklarerar vi att produkterna

Sladdlös Vinkelslip
R18AG
S/N: 043002 01 000001 – 043002 01 999999

överensstämmer med följande normer och dokument

2011/65/EU, 2006/42/EC, 2004/108/EC,
EN 60745-2-3:2011, EN 60745-1:2009+A11:2010,
EN 55014-1:2006+A1:2009+A2:2011, EN 55014-2:1997+A1:2001+A2:2008

Ljudtrycksnivå [K=3dB(A)]: 80,0 dB (A)
Ljudeffektnivå [K=3dB(A)]: 91,0 dB (A)

Viktat medelvärde

Det totala vibrationsvärdet (treaxelvektorsumma) är framtaget enligt EN60745:
vibrationsvärde ah, D = 6,9 m/s² (Osäkerhet K = 1,5 m/s²)

Brian Ellis
Vice president of engineering
Winnenden, Oct. 31, 2012

Godkänd att sammanställa den tekniska filen:

Rainer Kumpf
Techtronic Industries GmbH
Max-Eyth-Straße 10, D-71364 Winnenden, Germany

CE 2012

NO EC-erklæring om produktoverensstemmelse

Techtronic Industries GmbH
Max-Eyth-Straße 10, D-71364 Winnenden, Germany

Herved erklærer vi at produktet

Batteridrevet Vinkelsliper
R18AG
S/N: 043002 01 000001 – 043002 01 999999

er i samsvar med følgende standarder og normative dokumenter

2011/65/EU, 2006/42/EC, 2004/108/EC,
EN 60745-2-3:2011, EN 60745-1:2009+A11:2010,
EN 55014-1:2006+A1:2009+A2:2011, EN 55014-2:1997+A1:2001+A2:2008

Lydtrykknivå [K=3dB(A)]: 80,0 dB (A)
Lydstyrkenivå [K=3dB(A)]: 91,0 dB (A)

Målt effekt

De totale vibrasjonsverdierne (triax vektor-sum) er fastsatt i henhold til EN60745:
vibrasjonsverdi ah, D = 6,9 m/s² (Usikkerhet K = 1,5 m/s²)

Brian Ellis
Visepresident for konstruksjon
Winnenden, Oct. 31, 2012

Autorisert til å sette sammen den tekniske filen:

Rainer Kumpf
Techtronic Industries GmbH
Max-Eyth-Straße 10, D-71364 Winnenden, Germany

CE 2012

FI EC-SÄÄNNÖSTEN NOUDATTAMINEN

Techtronic Industries GmbH
Max-Eyth-Straße 10, D-71364 Winnenden, Germany

Ilmoitamme täten, että tuotteet

Johdoton Kulmahiomakone
R18AG
S/N: 043002 01 000001 – 043002 01 999999

noudattaa standardien ja standardoimis-asiakirjojen vaatimusten mukainen

2011/65/EU, 2006/42/EC, 2004/108/EC,
EN 60745-2-3:2011, EN 60745-1:2009+A11:2010,
EN 55014-1:2006+A1:2009+A2:2011, EN 55014-2:1997+A1:2001+A2:2008

Äänenpainetaso [K=3dB(A)]: 80,0 dB (A)
Äänen tehotasoa [K=3dB(A)]: 91,0 dB (A)

Painotettu tehollisarvo

Tärinän kokonaisarvot (kolmiakselinen vektorisumma) määritettynä standardin
EN60745 mukaisesti:
tärinäarvo ah, D = 6,9 m/s² (epätarkkuus K = 1,5 m/s²)

Brian Ellis
Varapresidentti, Suunnitteluosasto
Winnenden, Oct. 31, 2012

Valtuutettu kokoamaan tekninen tiedosto:

Rainer Kumpf
Techtronic Industries GmbH
Max-Eyth-Straße 10, D-71364 Winnenden, Germany

CE 2012

RU ЗАЯВЛЕНИЕ О СООТВЕТСТВИИ ТРЕБОВАНИЯМ ЕС

Techtronic Industries GmbH
Max-Eyth-Straße 10, D-71364 Winnenden, Germany

Настоящим мы заявляем, что данный продукт

Беспроводная Угловая Шлифовальная Машина
R18AG
S/N: 043002 01 000001 – 043002 01 999999

соответствует следующим нормам и документам

2011/65/EU, 2006/42/EC, 2004/108/EC,
EN 60745-2-3:2011, EN 60745-1:2009+A11:2010,
EN 55014-1:2006+A1:2009+A2:2011, EN 55014-2:1997+A1:2001+A2:2008

Уровень звукового давления [K=3dB(A)]: 80,0 dB (A)
Уровень акустической мощности [K=3dB(A)]: 91,0 dB (A)

Взвешенное среднее квадратичное

суммарное значение вибрации (векторная сумма по трем координатам)
определено в соответствии со стандартом EN60745:
значение вибрации ah, D = 6,9 m/s² (Разброс K = 1,5 m/s²)

Brian Ellis
Вице-президент по техническому оборудованию
Winnenden, Oct. 31, 2012

Лицо, ответственное за подготовку технической документации:

Rainer Kumpf
Techtronic Industries GmbH
Max-Eyth-Straße 10, D-71364 Winnenden, Germany

CE 2012

PL DEKLARACJA ZGODNOŚCI EC

Techtronic Industries GmbH
Max-Eyth-Straße 10, D-71364 Winnenden, Germany

Niniejszym deklarujemy, że produkty
Bezprzewodowa Szlifierka Kałtowa
R18AG
S/N: 043002 01 000001 – 043002 01 999999

jest zgodny z normami czy też znormalizowanymi dokumentami wymienionymi poniżej

2011/65/EU, 2006/42/EC, 2004/108/EC,
EN 60745-2-3:2011, EN 60745-1:2009+A11:2010,
EN 55014-1:2006+A1:2009+A2:2011, EN 55014-2:1997+A1:2001+A2:2008

Poziom ciśnienia akustycznego [K=3dB(A)]: 80,0 dB (A)
Poziom mocy akustycznej [K=3dB(A)]: 91,0 dB (A)

Srednia ważona

Wartości sumaryczne drgań (suma wektorowa przyspieszeń mierzona czujnikiem typu triax) określone zgodnie z normą EN60745:
wartość emisji drgań ah, D = 6,9 m/s² (niepewność pomiaru K = 1,5 m/s²)

Brian Ellis
Wicedyrektor działu projektowania
Winnenden, Oct. 31, 2012

Osoba upoważniona do sporządzenia dokumentu technicznego:
Rainer Kumpf
Techtronic Industries GmbH
Max-Eyth-Straße 10, D-71364 Winnenden, Germany

CE 2012

HU EC IZJAVA O USKLADENOSTI

Techtronic Industries GmbH
Max-Eyth-Straße 10, D-71364 Winnenden, Germany

Ezúton kijelentjük, hogy a termék
Akkumulátoros Sarokcsiszoló
R18AG
S/N: 043002 01 000001 – 043002 01 999999

megfelelnek a következő szabványoknak és előírásoknak
2011/65/EU, 2006/42/EC, 2004/108/EC,
EN 60745-2-3:2011, EN 60745-1:2009+A11:2010,
EN 55014-1:2006+A1:2009+A2:2011, EN 55014-2:1997+A1:2001+A2:2008

Hangnyomás szint [K=3dB(A)]: 80,0 dB (A)
Hangteljesítményszint : 91,0 dB (A)

Súlyozott négyzetes átlag
Vibráció teljes értékei (háromtengelyű vektorösszeg), az EN 60745:
a vibrációkiértékelés értéke ah, D = 6,9 m/s² (Bizonytalanság K = 1,5 m/s²)

Brian Ellis
Alelnök, tervezés
Winnenden, Oct. 31, 2012

A műszaki dokumentáció összeállítására felhatalmazott:
Rainer Kumpf
Techtronic Industries GmbH
Max-Eyth-Straße 10, D-71364 Winnenden, Germany

CE 2012

CS PROHLÁŠENÍ O SHODĚ EC

Techtronic Industries GmbH
Max-Eyth-Straße 10, D-71364 Winnenden, Germany

Tímto prohlašujeme, že výrobky
Bezdrátová Uhlivá Bruska
R18AG
S/N: 043002 01 000001 – 043002 01 999999

spĺňuje požiadavky níže uvedených norem a závazných předpisů
2011/65/EU, 2006/42/EC, 2004/108/EC,
EN 60745-2-3:2011, EN 60745-1:2009+A11:2010,
EN 55014-1:2006+A1:2009+A2:2011, EN 55014-2:1997+A1:2001+A2:2008.

Hladina akustického tlaku [K=3dB(A)]: 80,0 dB (A)
Hladina akustického výkonu [K=3dB(A)]: 91,0 dB (A)

Sřídění posuzovaná hodnota
Celkové hodnoty vibrací (řřísóy vektorový součet) určené v souladu s EN60745:
hodnota vibračních emisí ah, D = 6,9 m/s² (nejistota K = 1,5 m/s²)

Brian Ellis
Viceprezident pro strojírenství
Winnenden, Oct. 31, 2012

Pověřeni ke kompilaci technického souboru:
Rainer Kumpf
Techtronic Industries GmbH
Max-Eyth-Straße 10, D-71364 Winnenden, Germany

CE 2012

RO DECLARAŢIE DE CONFORMITATE EC

Techtronic Industries GmbH
Max-Eyth-Straße 10, D-71364 Winnenden, Germany

Prin prezenta, declarăm că produsele
Maşină De Şlefuit În Unghi Fără Fir
R18AG
S/N: 043002 01 000001 – 043002 01 999999

este conform cu normele sau documentele normative următoare
2011/65/EU, 2006/42/EC, 2004/108/EC,
EN 60745-2-3:2011, EN 60745-1:2009+A11:2010,
EN 55014-1:2006+A1:2009+A2:2011, EN 55014-2:1997+A1:2001+A2:2008

Nivel de presiune acustică [K=3dB(A)]: 80,0 dB (A)
Nivel de putere acustică [K=3dB(A)]: 91,0 dB (A)

Medie ponderată efectivă
Valoriile totale ale vibrațiilor (suma vectorială a trei direcții) au fost determinate conform EN60745:
valoarea vibrațiilor generate ah, D = 6,9 m/s² (Incertitudine K = 1,5 m/s²)

Brian Ellis
Vice president of Engineering
Winnenden, Oct. 31, 2012

Autorizat să completeze fişa tehnică:
Rainer Kumpf
Techtronic Industries GmbH
Max-Eyth-Straße 10, D-71364 Winnenden, Germany

CE 2012

LV EC ATBILSTĪBAS PAZIŅOJUMS

Technronic Industries GmbH
Max-Eyth-Straße 10, D-71364 Winnenden, Germany

Ar šo paziņojam, ka produkti
Bezvadu Lenķa Slīpmašīna
R18AG
S/N: 043002 01 000001 – 043002 01 999999

atbilst šādiem standartiem vai standartizācijas dokumentiem
2011/65/EU, 2006/42/EC, 2004/108/EC,
EN 60745-2-3:2011, EN 60745-1:2009+A11:2010,
EN 55014-1:2006+A1:2009+A2:2011, EN 55014-2:1997+A1:2001+A2:2008

Skaņas spiediena līmenis [K=3dB(A)]: 80,0 dB (A)
Skaņas stipruma līmenis [K=3dB(A)]: 91,0 dB (A)

Vidējā svērtā kvadrātskaņas vērtība
Vibrāciju kopējās vērtības (trīsas virktoru summa) tiek noteiktas atbilstoši EN60745:
vibrāciju emisijas vērtība ah, D = 6,9 m/s² (kļūdas vērtība K = 1,5 m/s²)

Brian Ellis
Tehniskais viceprezidents
Winnenden, Oct. 31, 2012

Pilnvarots sastādīt tehnisko failu:
Rainer Kumpf
Technronic Industries GmbH
Max-Eyth-Straße 10, D-71364 Winnenden, Germany

ET EC VASTAVUSDEKLARATSIIOON

Technronic Industries GmbH
Max-Eyth-Straße 10, D-71364 Winnenden, Germany

Kinnitame, et see toode
Akutoitega Nurklihvija
R18AG
S/N: 043002 01 000001 – 043002 01 999999

on vastavuses järgmistele standardidele või standardiseeritud dokumentidega
2011/65/EU, 2006/42/EC, 2004/108/EC,
EN 60745-2-3:2011, EN 60745-1:2009+A11:2010,
EN 55014-1:2006+A1:2009+A2:2011, EN 55014-2:1997+A1:2001+A2:2008

Helirõhutase [K=3dB(A)]: 80,0 dB (A)
Helivõimsuse tase [K=3dB(A)]: 91,0 dB (A)

Kaalutud ruutkeskmise väärtus
Vibratsiooni koguväärtused (kolme suuna vektorsumma) on vastavalt standardile
EN 60745 määratud järgmiselt:
vibrokiirenduse väärtus ah, D = 6,9 m/s² (mõõtemääramatus K = 1,5 m/s²)

Brian Ellis
Asepresidendi tootmise alal
Winnenden, Oct. 31, 2012

Tehnilise faili koostamiseks volitatud isik:
Rainer Kumpf
Technronic Industries GmbH
Max-Eyth-Straße 10, D-71364 Winnenden, Germany

LT EC ATITIKTIES DEKLARACIJA

Technronic Industries GmbH
Max-Eyth-Straße 10, D-71364 Winnenden, Germany

Mes pareiškiame, kad šie produktai
Belaidis Kampinis Šlifluoklis
R18AG
S/N: 043002 01 000001 – 043002 01 999999

atitinka žemiau išvardintus standartus ar standartų dokumentus
2011/65/EU, 2006/42/EC, 2004/108/EC,
EN 60745-2-3:2011, EN 60745-1:2009+A11:2010,
EN 55014-1:2006+A1:2009+A2:2011, EN 55014-2:1997+A1:2001+A2:2008

Garso slėgio lygis [K=3dB(A)]: 80,0 dB (A)
Garso galingumo lygis [K=3dB(A)]: 91,0 dB (A)

Svorinis šaknies vidurkis
Bendros vibracijos vertės (trikampio vektorių suma) nustatomos pagal EN60745:
vibracijos emisijos vertė ah, D = 6,9 m/s² (Nepastovumas K = 1,5 m/s²)

Brian Ellis
Viceprezidentas, Inžinerija
Winnenden, Oct. 31, 2012

Ilgaliotas sudaryti techninį failą:
Rainer Kumpf
Technronic Industries GmbH
Max-Eyth-Straße 10, D-71364 Winnenden, Germany

HR EC IZJAVA O USKLADENOSTI

Technronic Industries GmbH
Max-Eyth-Straße 10, D-71364 Winnenden, Germany

Ovime izjavljujemo da su proizvodi
Bežična Kutna Brusilica
R18AG
S/N: 043002 01 000001 – 043002 01 999999

u skladu sa sljedećim normama ili normiranim dokumentima
2011/65/EU, 2006/42/EC, 2004/108/EC,
EN 60745-2-3:2011, EN 60745-1:2009+A11:2010,
EN 55014-1:2006+A1:2009+A2:2011, EN 55014-2:1997+A1:2001+A2:2008

Razina zvučnog tlaka [K=3dB(A)]: 80,0 dB (A)
Razina zvučne snage [K=3dB(A)]: 91,0 dB (A)

Ponderirana energetska vrijednost
Ponderirana energetska vrijednost Ukupne vrijednosti vibracija (troosni vektorski zbir) određuju se u skladu s EN60745:
vibracija vrijednosti ah, D = 6,9 m/s² (neodređenost K = 1,5 m/s²)

Brian Ellis
Potpredsjednik inženjeringa
Winnenden, Oct. 31, 2012

Ovlašten da sastavi tehničku datoteku:
Rainer Kumpf
Technronic Industries GmbH
Max-Eyth-Straße 10, D-71364 Winnenden, Germany

SL IZJAVA EC O SKLADNOSTI

Technronic Industries GmbH
Max-Eyth-Straße 10, D-71364 Winnenden, Germany

Izjavljamo, da je izdelek

Brezžični Kotni Brusilnik

R18AG

S/N: 043002 01 000001 – 043002 01 999999

skladen z zahtevami sledečih standardov ali standardiziranih dokumentov

2011/65/EU, 2006/42/EC, 2004/108/EC,

EN 60745-2-3:2011, EN 60745-1:2009+A11:2010,

EN 55014-1:2006+A1:2009+A2:2011, EN 55014-2:1997+A1:2001+A2:2008

Raven zvočnega tlaka [K=3dB(A)]: 80,0 dB (A)

Raven jakosti zvoka [K=3dB(A)]: 91,0 dB (A)

Efektivna vrednost korena

Efektivna vrednost vibracij (vektorska vsota treh smeri) določena v skladu z

EN60745:

vrednost emisije vibracij ah, D = 6,9 m/s² (nedoloč. K = 1,5 m/s²)

Brian Ellis

Podpredsednik tehničnega oddelka

Winnenden, Oct. 31, 2012

Pooblaščen oseba za sestavo tehnične dokumentacije:

Rainer Kumpf

Techntronic Industries GmbH

Max-Eyth-Straße 10, D-71364 Winnenden, Germany

CE 2012

EL IZJAVA EC O SKLADNOSTI

Techntronic Industries GmbH
Max-Eyth-Straße 10, D-71364 Winnenden, Germany

Δια του παρόντος δηλώνουμε ότι το προϊόν

Γωνιακό Τροχό Ασφάλματος

R18AG

S/N: 043002 01 000001 – 043002 01 999999

συμμορφούται προς τα ακόλουθα πρότυπα ή τυποποιημένα έγγραφα

2011/65/EU, 2006/42/EC, 2004/108/EC,

EN 60745-2-3:2011, EN 60745-1:2009+A11:2010,

EN 55014-1:2006+A1:2009+A2:2011, EN 55014-2:1997+A1:2001+A2:2008

Επίπεδο ακουστικής πίεσης [K=3dB(A)]: 80,0 dB (A)

Επίπεδο ακουστικής ισχύος [K=3dB(A)]: 91,0 dB (A)

Σταθμισμένη ενεργός τιμή

Συνολικές αξίες κραδασμών (τριαξονικό διανυσματικό άθροισμα) σύμφωνα με

EN60745:

τιμή εκπομπής κραδασμών ah, D = 6,9 m/s² (Αβεβαιότητα K = 1,5 m/s²)

Brian Ellis

Αντιπρόεδρος Μηχανικού τμήματος

Winnenden, Oct. 31, 2012

Εξουσιοδοτημένο άτομο για σύνταξη τεχνικού αρχείου:

Rainer Kumpf

Techntronic Industries GmbH

Max-Eyth-Straße 10, D-71364 Winnenden, Germany

CE 2012

SK PREHLÁSENIE O ZHODE EC

Techntronic Industries GmbH
Max-Eyth-Straße 10, D-71364 Winnenden, Germany

Týmto vyhlasujeme, že výrobok

Akumulátorová Uholvá Bruska

R18AG

S/N: 043002 01 000001 – 043002 01 999999

ktorý spĺňa nasledovné štandardy alebo štandardizované dokumenty

2011/65/EU, 2006/42/EC, 2004/108/EC,

EN 60745-2-3:2011, EN 60745-1:2009+A11:2010,

EN 55014-1:2006+A1:2009+A2:2011, EN 55014-2:1997+A1:2001+A2:2008

Hladina akustického tlaku [K=3dB(A)]: 80,0 dB (A)

Hladina akustického výkonu [K=3dB(A)]: 91,0 dB (A)

Vážený kvadratický priemer

Celkové hodnoty vibrácií (súhrn triaxiálneho vektora) určuje norma EN60745:

hodnota emisii vibrácií ah, D = 6,9 m/s² (odchýlka K = 1,5 m/s²)

Brian Ellis

viceprezident technického oddelenia

Winnenden, Oct. 31, 2012

Oprávnená osoba na zostavenie technického súboru:

Rainer Kumpf

Techntronic Industries GmbH

Max-Eyth-Straße 10, D-71364 Winnenden, Germany

CE 2012

TR EC DEKLARASYON ZA SA CÖYÜTÜVETİME

Techntronic Industries GmbH
Max-Eyth-Straße 10, D-71364 Winnenden, Germany

Böylelikle beyan ederiz ki, ürün

Kablosuz Açılı Taşlama Makines

R18AG

S/N: 043002 01 000001 – 043002 01 999999

aşağıdaki normlar ya da norm belgeleri ile uyumlu olduğunu

2011/65/EU, 2006/42/EC, 2004/108/EC,

EN 60745-2-3:2011, EN 60745-1:2009+A11:2010,

EN 55014-1:2006+A1:2009+A2:2011, EN 55014-2:1997+A1:2001+A2:2008

Ses basınç seviyesi [K=3dB(A)]: 80,0 dB (A)

Ses gücü seviyesi [K=3dB(A)]: 91,0 dB (A)

Ağırlıklı kök ortalaması

EN 60745 normuna uygun olarak belirlenmiş titreşim toplam değerleri (triaks vektör

toplama):

titreşim emisyon değeri ah, D = 6,9 m/s² (Belirsizlik K = 1,5 m/s²)

Brian Ellis

Mühendislik Başkan Yardımcısı

Winnenden, Oct. 31, 2012

Teknik dosya hazırlamaya yetkilidir:

Rainer Kumpf

Techntronic Industries GmbH

Max-Eyth-Straße 10, D-71364 Winnenden, Germany

CE 2012

