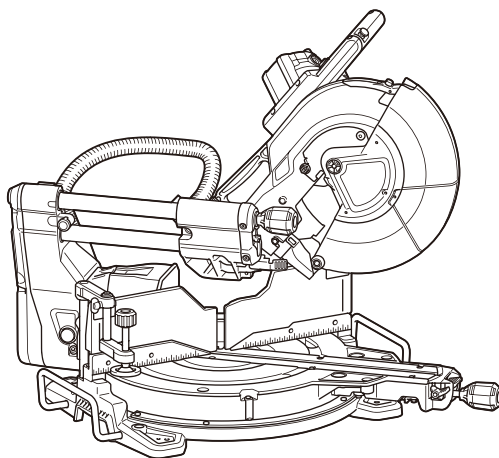


INSTRUCTION MANUAL
MANUEL D'INSTRUCTION
MANUAL DE INSTRUCCIONES



Slide Compound Miter Saw Scie à Onglet Radiale Sierra de Inglete Telescópica

LS1219
LS1219L



DOUBLE INSULATION
DOUBLE ISOLATION
DOBLE AISLAMIENTO

IMPORTANT: Read Before Using.
IMPORTANT : Lire avant usage.
IMPORTANTE: Lea antes de usar.

SPECIFICATIONS

Model:	LS1219	LS1219L
Blade diameter	305 mm (12")	
Hole diameter	25.4 mm (1")	
Max. kerf thickness of the saw blade	3.2 mm (1/8")	
Max. miter angle	Right 60°, Left 60°	
Max. bevel angle	Right 48°, Left 48°	
No load speed (RPM)	3,200 /min	
Laser type	-	Wavelength 655 nm, Maximum output < 1mW (Laser Class II)
Dimensions (L x W x H)	898 mm x 664 mm x 725 mm (35-1/4" x 26-1/8" x 28-1/2")	
Net weight	29.3 kg (64.6 lbs)	29.5 kg (65.0 lbs)

Cutting capacities (H x W)

Miter angle			Bevel angle		
			45° (left)	0°	45° (right)
0°	-	-	61 mm x 382 mm (2-3/8" x 15") 71 mm x 363 mm (2-13/16" x 14-1/4")	92 mm x 382 mm (3-5/8" x 15") 107 mm x 363 mm (4-1/4" x 14-1/4")	44 mm x 382 mm (1-3/4" x 15") 54 mm x 363 mm (2-1/8" x 14-1/4")
	Thickness of wood facing on guide fence for increased height of cut	20 mm (13/16") 38 mm (1-1/2")	78 mm x 325 mm (3-1/16" x 12-3/4") 80 mm x 292 mm (3-1/8" x 11-1/2")	115 mm x 325mm (4-1/2" x 12-3/4") 120 mm x 292 mm (4-3/4" x 11-1/2")	61 mm x 325 mm (2-3/8" x 12-3/4") -
45° (right and left)	-	-	61 mm x 268 mm (2-3/8" x 10-1/2") 71 mm x 255 mm (2-13/16" x 10")	92 mm x 268 mm (3-5/8" x 10-1/2") 107 mm x 255 mm (4-1/4" x 10")	44 mm x 268 mm (1-3/4" x 10-1/2") 54 mm x 255 mm (2-1/8" x 10")
	Thickness of wood facing on guide fence for increased height of cut	15 mm (9/16") 25 mm (1")	-	115 mm x 227 mm (4-1/2" x 8-15/16") 120 mm x 212 mm (4-3/4" x 8-3/8")	-
60° (right and left)	-	-	-	92 mm x 185 mm (3-5/8" x 7-1/4") 107 mm x 178 mm (4-1/4" x 7")	-
	Thickness of wood facing on guide fence for increased height of cut	15 mm (9/16") 25 mm (1")	-	115 mm x 155 mm (4-1/2" x 6-1/8") 120 mm x 140 mm (4-3/4" x 5-1/2")	-

Cutting capacities for special cuttings

Type of cutting	Cutting capacity
Crown molding 45° type (with crown molding stopper used)	203 mm (8")
Base board (with horizontal vise used)	171 mm (6-3/4")

- Due to our continuing program of research and development, the specifications herein are subject to change without notice.
- Specifications may differ from country to country.
- Weight according to EPTA-Procedure 01/2014

SAFETY WARNINGS

General power tool safety warnings

⚠️WARNING: Read all safety warnings, instructions, illustrations and specifications provided with this power tool. Failure to follow all instructions listed below may result in electric shock, fire and/or serious injury.

Save all warnings and instructions for future reference.

The term "power tool" in the warnings refers to your mains-operated (corded) power tool or BATTERYoperated (cordless) power tool.

Work area safety

1. **Keep work area clean and well lit.** Cluttered or dark areas invite accidents.
2. **Do not operate power tools in explosive atmospheres, such as in the presence of flammable liquids, gases or dust.** Power tools create sparks which may ignite the dust or fumes.
3. **Keep children and bystanders away while operating a power tool.** Distractions can cause you to lose control.

Electrical Safety

1. **Power tool plugs must match the outlet. Never modify the plug in any way. Do not use any adapter plugs with earthed (grounded) power tools.** Unmodified plugs and matching outlets will reduce risk of electric shock.
2. **Avoid body contact with earthed or grounded surfaces, such as pipes, radiators, ranges and refrigerators.** There is an increased risk of electric shock if your body is earthed or grounded.
3. **Do not expose power tools to rain or wet conditions.** Water entering a power tool will increase the risk of electric shock.
4. **Do not abuse the cord. Never use the cord for carrying, pulling or unplugging the power tool. Keep cord away from heat, oil, sharp edges or moving parts.** Damaged or entangled cords increase the risk of electric shock.
5. **When operating a power tool outdoors, use an extension cord suitable for outdoor use.** Use of a cord suitable for outdoor use reduces the risk of electric shock.
6. **If operating a power tool in a damp location is unavoidable, use a Residual Current Device (RCD) protected supply.** Use of an RCD reduces the risk of electric shock.
7. **Power tools can produce electromagnetic fields (EMF) that are not harmful to the user.** However, users of pacemakers and other similar medical devices should contact the maker of their device and/or doctor for advice before operating this power tool.
8. **Do not touch the power plug with wet hands.**
9. **If the cord is damaged, have it replaced by the manufacturer or his agent in order to avoid a safety hazard.**

Personal Safety

1. **Stay alert, watch what you are doing and use common sense when operating a power tool. Do not use a power tool while you are tired or under the influence of drugs, alcohol or medication.** A moment of inattention while operating power tools may result in serious personal injury.
2. **Use personal protective equipment. Always wear eye protection.** Protective equipment such as dust mask, non-skid safety shoes, hard hat, or hearing protection used for appropriate conditions will reduce personal injuries.
3. **Prevent unintentional starting. Ensure the switch is in the off-position before connecting to power source and/or BATTERY pack, picking up or carrying the tool.** Carrying power tools with your finger on the switch or energising power tools that have the switch on invites accidents.
4. **Remove any adjusting key or wrench before turning the power tool on.** A wrench or a key left attached to a rotating part of the power tool may result in personal injury.
5. **Do not overreach. Keep proper footing and balance at all times.** This enables better control of the power tool in unexpected situations.
6. **Dress properly. Do not wear loose clothing or jewellery. Keep your hair, clothing and gloves away from moving parts.** Loose clothes, jewellery or long hair can be caught in moving parts.
7. **If devices are provided for the connection of dust extraction and collection facilities, ensure these are connected and properly used.** Use of dust collection can reduce dust-related hazards.
8. **Do not let familiarity gained from frequent use of tools allow you to become complacent and ignore tool safety principles.** A careless action can cause severe injury within a fraction of a second.
9. **Always wear protective goggles to protect your eyes from injury when using power tools. The goggles must comply with ANSI Z87.1 in the USA.**

It is an employer's responsibility to enforce the use of appropriate safety protective equipments by the tool operators and by other persons in the immediate working area.

Power tool use and care

1. **Do not force the power tool. Use the correct power tool for your application.** The correct power tool will do the job better and safer at the rate for which it was designed.
2. **Do not use the power tool if the switch does not turn it on and off.** Any power tool that cannot be controlled with the switch is dangerous and must be repaired.
3. **Disconnect the plug from the power source and/or remove the BATTERY pack, if detachable, from the power tool before making any adjustments, changing accessories, or storing power tools.** Such preventive safety measures reduce the risk of starting the power tool accidentally.
4. **Store idle power tools out of the reach of children and do not allow persons unfamiliar with the power tool or these instructions to operate the power tool.** Power tools are dangerous in the hands of untrained users.

5. **Use maintenance power tools and accessories.** Check for misalignment or binding of moving parts, breakage of parts and any other condition that may affect the power tool's operation. If damaged, have the power tool repaired before use. Many accidents are caused by poorly maintained power tools.
6. **Keep cutting tools sharp and clean.** Properly maintained cutting tools with sharp cutting edges are less likely to bind and are easier to control.
7. **Use the power tool, accessories and tool bits etc. in accordance with these instructions, taking into account the working conditions and the work to be performed.** Use of the power tool for operations different from those intended could result in a hazardous situation.
8. **Keep handles and grasping surfaces dry, clean and free from oil and grease.** Slippery handles and grasping surfaces do not allow for safe handling and control of the tool in unexpected situations.
9. **When using the tool, do not wear cloth work gloves which may be entangled.** The entanglement of cloth work gloves in the moving parts may result in personal injury.

Service

1. **Have your power tool serviced by a qualified repair person using only identical replacement parts.** This will ensure that the safety of the power tool is maintained.
2. **Follow instruction for lubricating and changing accessories.**

Table 1: Minimum gage for cord

Ampere Rating		Volts	Total length of cord in feet			
			120V	25 ft.	50 ft.	100 ft.
More Than	Not More Than	AWG				
0	6	-	18	16	16	14
6	10		18	16	14	12
10	12		16	16	14	12
12	16		14	12	Not Recommended	

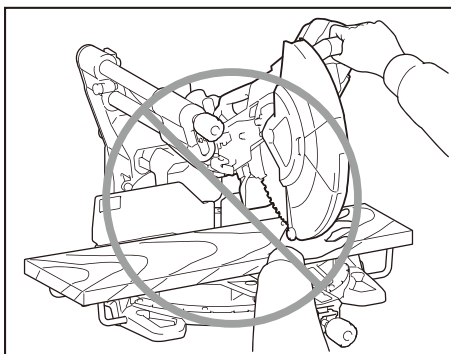
Safety instructions for mitre saws

1. **Mitre saws are intended to cut wood or wood-like products, they cannot be used with abrasive cut-off wheels for cutting ferrous material such as bars, rods, studs, etc.** Abrasive dust causes moving parts such as the lower guard to jam. Sparks from abrasive cutting will burn the lower guard, the kerf insert and other plastic parts.
2. **Use clamps to support the workpiece whenever possible. If supporting the workpiece by hand, you must always keep your hand at least 100 mm from either side of the saw blade. Do not use this saw to cut pieces that are too small to be securely clamped or held by hand.** If your hand is placed too close to the saw blade, there is an increased risk of injury from blade contact.

Additional instructions

1. **To reduce the risk of electric shock, this equipment has a polarized plug (one blade is wider than the other). This plug will fit in a polarized outlet only one way. If the plug does not fit fully in the outlet, reverse the plug. If it still does not fit, contact a qualified electrician to install the proper outlet. Do not change the plug in any way.**
2. **VOLTAGE WARNING: Before connecting the tool to a power source (receptacle, outlet, etc.) be sure the voltage supplied is the same as that specified on the nameplate of the tool. A power source with voltage greater than that specified for the tool can result in SERIOUS INJURY to the user- as well as damage to the tool. If in doubt, DO NOT PLUG IN THE TOOL. Using a power source with voltage less than the nameplate rating is harmful to the motor.**
3. **USE PROPER EXTENSION CORD. Make sure your extension cord is in good condition. When using an extension cord, be sure to use one heavy enough to carry the current your product will draw. An undersized cord will cause a drop in line voltage resulting in loss of power and overheating. Table 1 shows the correct size to use depending on cord length and nameplate ampere rating. If in doubt, use the next heavier gage. The smaller the gage number, the heavier the cord.**

3. **The workpiece must be stationary and clamped or held against both the fence and the table. Do not feed the workpiece into the blade or cut "freehand" in any way.** Unrestrained or moving workpieces could be thrown at high speeds, causing injury.
4. **Push the saw through the workpiece. Do not pull the saw through the workpiece. To make a cut, raise the saw head and pull it out over the workpiece without cutting, start the motor, press the saw head down and push the saw through the workpiece.** Cutting on the pull stroke is likely to cause the saw blade to climb on top of the workpiece and violently throw the blade assembly towards the operator.
5. **Never cross your hand over the intended line of cutting either in front or behind the saw blade.** Supporting the workpiece "cross handed" i.e. holding the workpiece to the right of the saw blade with your left hand or vice versa is very dangerous.



6. **Do not reach behind the fence with either hand closer than 100 mm from either side of the saw blade, to remove wood scraps, or for any other reason while the blade is spinning.** The proximity of the spinning saw blade to your hand may not be obvious and you may be seriously injured.
7. **Inspect your workpiece before cutting. If the workpiece is bowed or warped, clamp it with the outside bowed face toward the fence. Always make certain that there is no gap between the workpiece, fence and table along the line of the cut.** Bent or warped workpieces can twist or shift and may cause binding on the spinning saw blade while cutting. There should be no nails or foreign objects in the workpiece.
8. **Do not use the saw until the table is clear of all tools, wood scraps, etc., except for the workpiece.** Small debris or loose pieces of wood or other objects that contact the revolving blade can be thrown with high speed.
9. **Cut only one workpiece at a time.** Stacked multiple workpieces cannot be adequately clamped or braced and may bind on the blade or shift during cutting.
10. **Ensure the mitre saw is mounted or placed on a level, firm work surface before use.** A level and firm work surface reduces the risk of the mitre saw becoming unstable.
11. **Plan your work. Every time you change the bevel or mitre angle setting, make sure the adjustable fence is set correctly to support the workpiece and will not interfere with the blade or the guarding system.** Without turning the tool "ON" and with no workpiece on the table, move the saw blade through a complete simulated cut to assure there will be no interference or danger of cutting the fence.
12. **Provide adequate support such as table extensions, saw horses, etc. for a workpiece that is wider or longer than the table top.** Workpieces longer or wider than the mitre saw table can tip if not securely supported. If the cut-off piece or workpiece tips, it can lift the lower guard or be thrown by the spinning blade.
13. **Do not use another person as a substitute for a table extension or as additional support.** Unstable support for the workpiece can cause the blade to bind or the workpiece to shift during the cutting operation pulling you and the helper into the spinning blade.

14. **The cut-off piece is jammed or pressed by any means against the spinning saw blade.** If confined, i.e. using length stops, the cut-off piece could get wedged against the blade and thrown violently.
15. **Always use a clamp or a fixture designed to properly support round material such as rods or tubing.** Rods have a tendency to roll while being cut, causing the blade to "bite" and pull the work with your hand into the blade.
16. **Let the blade reach full speed before contacting the workpiece.** This will reduce the risk of the workpiece being thrown.
17. **If the workpiece or blade becomes jammed, turn the mitre saw off. Wait for all moving parts to stop and disconnect the plug from the power source and/or remove the battery pack. Then work to free the jammed material.** Continued sawing with a jammed workpiece could cause loss of control or damage to the mitre saw.
18. **After finishing the cut, release the switch, hold the saw head down and wait for the blade to stop before removing the cut-off piece.** Reaching with your hand near the coasting blade is dangerous.
19. **Hold the handle firmly when making an incomplete cut or when releasing the switch before the saw head is completely in the down position.** The braking action of the saw may cause the saw head to be suddenly pulled downward, causing a risk of injury.
20. **Only use the saw blade with the diameter that is marked on the tool or specified in the manual.** Use of an incorrectly sized blade may affect the proper guarding of the blade or guard operation which could result in serious personal injury.
21. **Only use the saw blades that are marked with a speed equal or higher than the speed marked on the tool.**
22. **Always select the correct saw blade for the material to be cut. Do not use the saw blade to cut materials other than those specified.**
23. **The saw can cut wood, aluminum or similar materials, when using a saw blade appropriate for the material. Do not use the saw to cut the other material, including magnesium, steel and iron.**

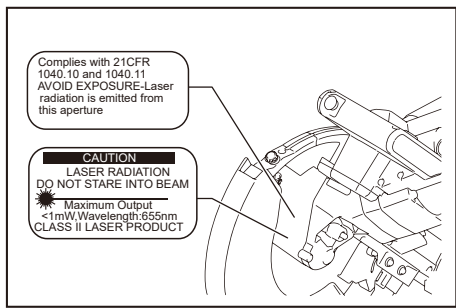
Additional instructions

1. **Make workshop kid proof with padlocks.**
2. **Never stand on the tool.** Serious injury could occur if the tool is tipped or if the cutting tool is unintentionally contacted.
3. **Never leave the tool running unattended. Turn the power off. Do not leave tool until it comes to a complete stop.**
4. **Do not operate saw without guards in place. Check blade guard for proper closing before each use. Do not operate saw if blade guard does not move freely and close instantly. Never clamp or tie the blade guard into the open position.**
5. **Keep hands out of path of saw blade. Avoid contact with any coasting blade. It can still cause severe injury.**
6. **To reduce the risk of injury, return carriage to the full rear position after each crosscut operation.**

7. Always secure all moving portions before carrying the tool.
8. Stopper pin which locks the cutter head down is for carrying and storage purposes only and not for any cutting operations.
9. Check the blade carefully for cracks or damage before operation. Replace cracked or damaged blade immediately. Gum and wood pitch hardened on blades slows saw and increases potential for kickback. Keep blade clean by first removing it from tool, then cleaning it with gum and pitch remover, hot water or kerosene. Never use gasoline to clean blade.
10. While making a slide cut, KICKBACK can occur. KICKBACK occurs when the blade binds in the workpiece during a cutting operation and the saw blade is driven rapidly towards the operator. Loss of control and serious personal injury can result. If blade begins to bind during a cutting operation, do not continue to cut and release switch immediately.
11. Use only flanges specified for this tool.
12. Be careful not to damage the arbor, flanges (especially the installing surface) or bolt. Damage to these parts could result in blade breakage.
13. Make sure that the turn base is properly secured so it will not move during operation. Use the holes in the base to fasten the saw to a stable work platform or bench. NEVER use tool where operator positioning would be awkward.
14. Make sure the shaft lock is released before the switch is turned on.
15. Be sure that the blade does not contact the turn base in the lowest position.
16. Hold the handle firmly. Be aware that the saw moves up or down slightly during start-up and stopping.
17. Make sure the blade is not contacting the workpiece before the switch is turned on.
18. Before using the tool on an actual workpiece, let it run for a while. Watch for vibration or wobbling that could indicate poor installation or a poorly balanced blade.
19. Stop operation immediately if you notice anything abnormal.
20. Do not attempt to lock the trigger in the "ON" position.
21. Always use accessories recommended in this manual. Use of improper accessories such as abrasive wheels may cause an injury.
22. Some material contains chemicals which may be toxic. Take caution to prevent dust inhalation and skin contact. Follow material supplier safety data.

Additional safety rules for the laser

1. LASER RADIATION DO NOT STARE INTO BEAM.
2. AVOID EXPOSURE - LASER RADIATION IS EMITTED FROM APERTURE.
3. USE OF CONTROLS OR ADJUSTMENTS OR PERFORMANCE OF PROCEDURES OTHER THAN THOSE SPECIFIED HEREIN MAY RESULT IN HAZARDOUS RADIATION EXPOSURE.

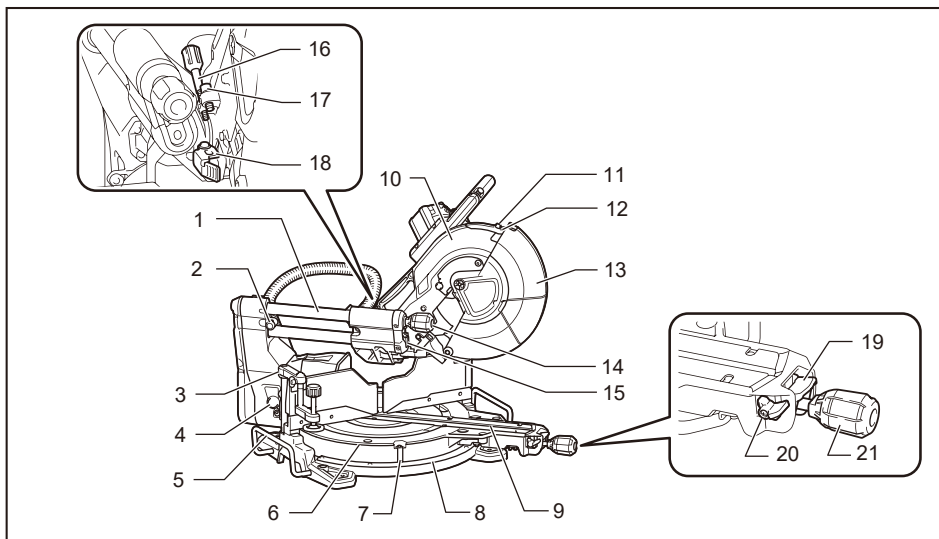


Symbols

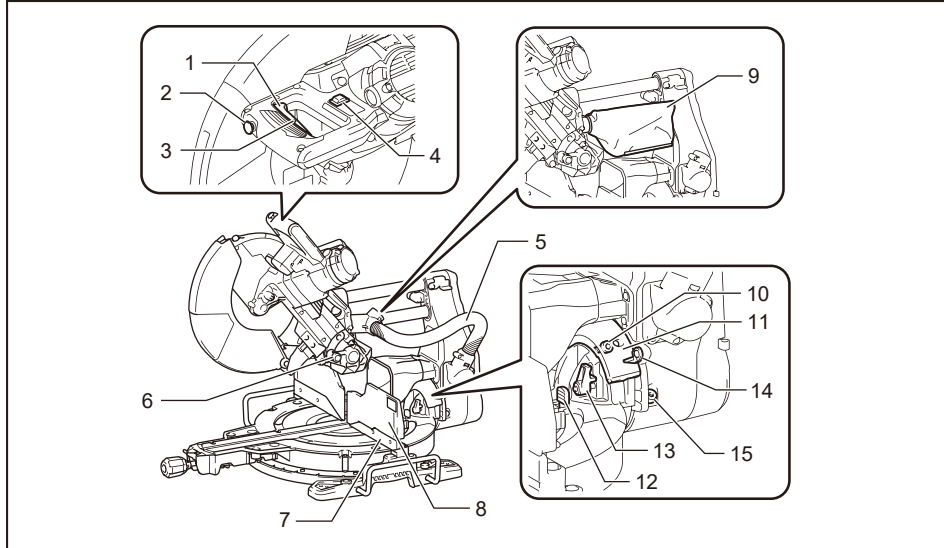
The followings show the symbols used for tool.

v	volts
A	amperes
Hz	hertz
n₀	no load speed
	alternating current
	Class II Construction
... /min r /min	revolutions or reciprocation per minute
	Do not place hand or fingers close to the blade.

PARTS DESCRIPTION



1	Slide pole	2	Stopper pin (for carriage sliding)	3	Vertical vise	4	Releasing button (for right side bevel angle)
5	Holder	6	Turn base	7	Pointer (for miter angle)	8	Miter angle scale
9	Kerf board	10	Blade case	11	Adjusting screw (for laser line)	12	Range adjustment screw (for laser line)
13	Blade guard	14	Knob (for bevel angle)	15	Hex wrench	16	Adjusting screw (for lower limit position)
17	Adjusting bolt (for maximum cutting capacity)	18	Stopper arm	19	Lock lever (for turn base)	20	Releasing lever (for turn base)
21	Grip (for turn base)	-	-	-	-	-	-

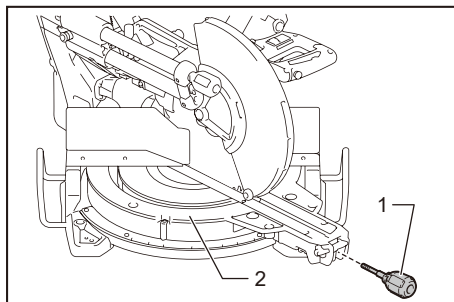


1	Switch trigger	2	Lock-off button	3	Hole for padlock	4	Switch (for laser line)
5	Hose (for dust extraction)	6	Stopper pin (for carriage elevation)	7	Guide fence (lower fence)	8	Guide fence (upper fence)
9	Dust bag	10	0° adjusting bolt (for bevel angle)	11	Bevel angle scale	12	Releasing lever (for 48° bevel angle)
13	Latch lever (for bevel angle)	14	Pointer (for bevel angle)	15	45° adjusting bolt (for bevel angle)	-	-

INSTALLATION

Installing the grip

Screw the threaded shaft of the grip into the turn base.

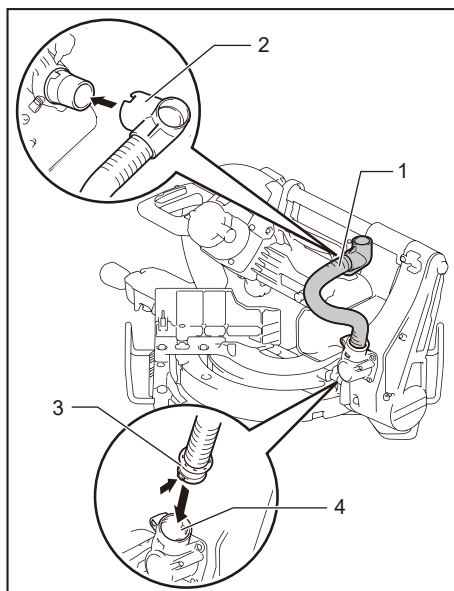


► 1. Grip 2. Turn base

Installing the dust extraction hose

Connect the dust extraction hose to the tool as illustrated.

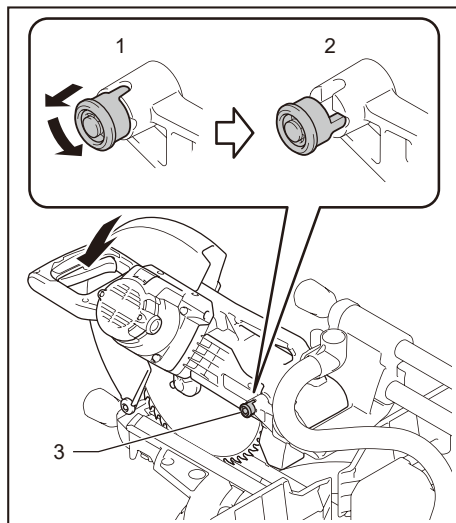
Make sure that the elbow and the sleeve fit properly to the ports of the tool.



► 1. Dust extraction hose 2. Elbow 3. Sleeve 4. Port

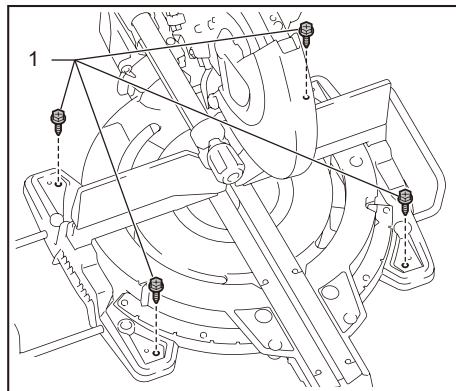
Bench mounting

When the tool is shipped, the handle is locked in the lowered position by the stopper pin. While lowering the handle slightly, pull the stopper pin and rotate it 90°.



► 1. Locked position 2. Unlocked position 3. Stopper pin

This tool should be bolted with four bolts to a level and stable surface using the bolt holes provided in the tool's base. This will help prevent tipping and possible injury.



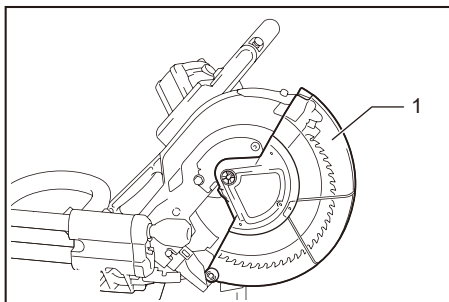
► 1. Bolt

⚠WARNING: Ensure that the tool will not move on the supporting surface. Movement of the miter saw on the supporting surface while cutting may result in loss of control and serious personal injury.

FUNCTIONAL DESCRIPTION

⚠WARNING: Always be sure that the tool is switched off and unplugged before adjusting or checking function on the tool. Failure to switch off and unplug the tool may result in serious personal injury from accidental start-up.

Blade guard



► 1. Blade guard

When lowering the handle, the blade guard rises automatically. The guard is spring loaded so it returns to its original position when the cut is completed and the handle is raised.

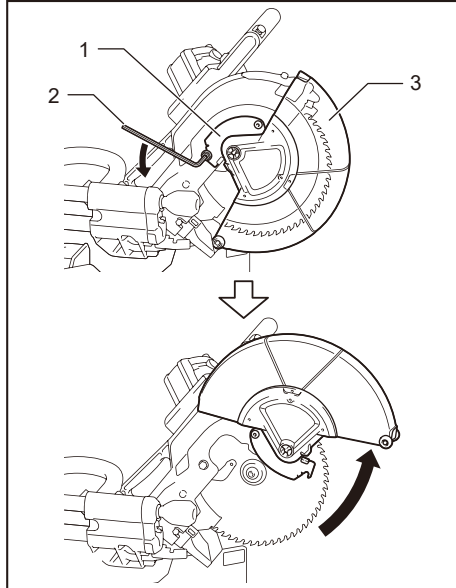
⚠WARNING: Never defeat or remove the blade guard or the spring which attaches to the guard. An exposed blade as a result of defeated guarding may result in serious personal injury during operation.

In the interest of your personal safety, always maintain the blade guard in good condition. Any irregular operation of the blade guard should be corrected immediately. Check to assure spring loaded return action of guard.

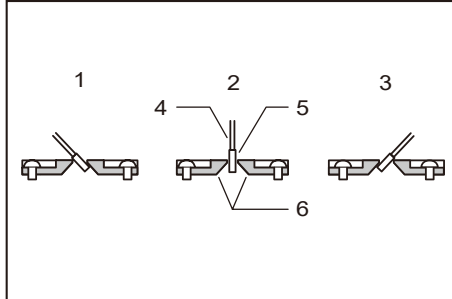
⚠WARNING: Never use the tool if the blade guard or spring are damaged, faulty or removed. Operation of the tool with a damaged, faulty or removed guard may result in serious personal injury.

If the see-through blade guard becomes dirty, or saw-dust adheres to it in such a way that the blade and/or workpiece is no longer easily visible, unplug the saw and clean the guard carefully with a damp cloth. Do not use solvents or any petroleum-based cleaners on the plastic guard because this may cause damage to the guard.

If the blade guard is especially dirty and vision through the guard is impaired, unplug the tool and use the supplied wrench to loosen the hex bolt holding the center cover. Loosen the hex bolt by turning it counterclockwise and raise the blade guard and center cover. With the blade guard so positioned, cleaning can be more completely and efficiently accomplished. When cleaning is complete, reverse procedure above and secure bolt. Do not remove spring holding blade guard. If guard becomes discolored through age or UV light exposure, contact a Makita service center for a new guard. DO NOT DEFEAT OR REMOVE GUARD.



► 1. Center cover 2. Hex wrench 3. Blade guard



► 1. Left bevel cut 2. Straight cut 3. Right bevel cut
4. Saw blade 5. Blade teeth 6. Kerf board

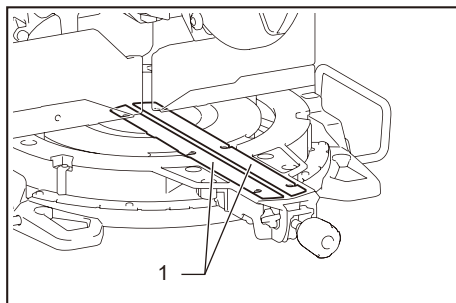
First, unplug the tool. Loosen all the screws (2 each on left and right) securing the kerf boards until the kerf boards can still be easily moved by hand. Lower the handle fully, then pull and turn the stopper pin to lock the handle in the lowered position. Release the stopper pin on the sliding pole and pull the carriage toward you fully. Adjust the kerf boards so that the kerf boards just contact the sides of the blade teeth. Tighten the front screws (do not tighten firmly). Push the carriage toward the guide fence fully and adjust the kerf boards so that the kerf boards just contact the sides of blade teeth. Tighten the rear screws (do not tighten firmly).

After adjusting the kerf boards, release the stopper pin and raise the handle. Then tighten all the screws securely.

NOTICE: After setting the bevel angle ensure that the kerf boards are adjusted properly. Correct adjustment of the kerf boards will help provide proper support of the workpiece minimizing workpiece tear out.

Kerf boards

This tool is provided with the kerf boards in the turn base to minimize tearing on the exit side of a cut. The kerf boards are factory adjusted so that the saw blade does not contact the kerf boards. Before use, adjust the kerf boards as follows:



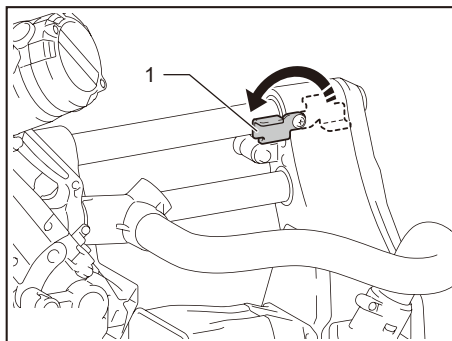
► 1. Kerf board

Maintaining maximum cutting capacity

This tool is factory adjusted to provide the maximum cutting capacity for a 305 mm (12") saw blade.

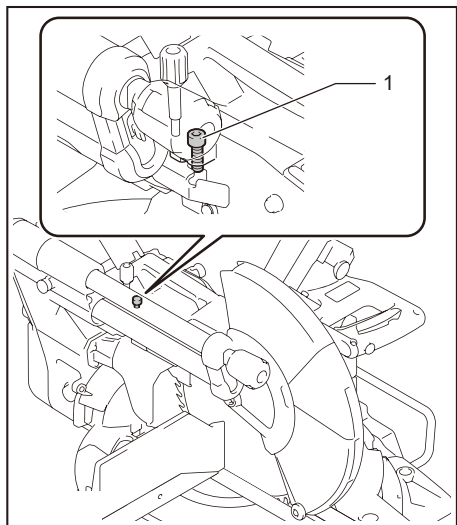
When installing a new blade, always check the lower limit position of the blade and if necessary, adjust it as follows:

First, unplug the tool. Turn the stopper lever to engaged position.

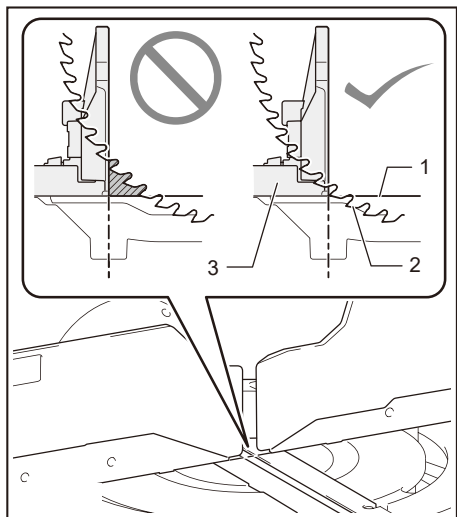


► 1. Stopper lever

Push the carriage toward the guide fence fully and lower the handle completely.
Adjust the blade position by turning the adjusting bolt with the hex wrench. The periphery of the blade should extend slightly below the top surface of the turn base and also comes to the point where the front face of the guide fence meets the top surface of the turn base.



► 1. Adjusting bolt



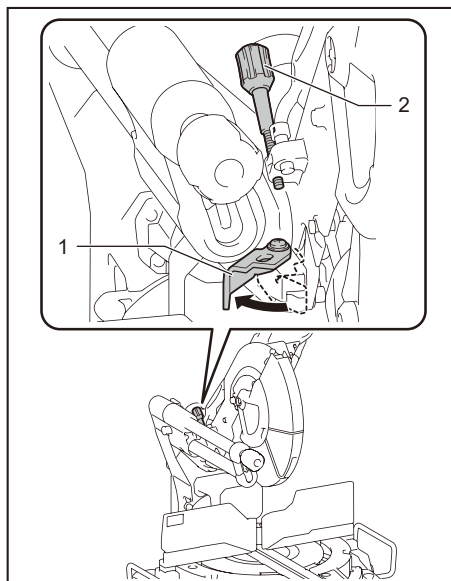
► 1. Top surface of turn base 2. Periphery of blade
3. Guide fence

With the tool unplugged, rotate the blade by hand while holding the handle all the way down to be sure that the blade does not contact any part of the lower base. Re-adjust slightly, if necessary.
After adjustment, always return the stopper lever to the original position.

⚠WARNING: After installing a new blade and with the tool unplugged, always be sure that the blade does not contact any part of the lower base when the handle is lowered completely. If a blade makes contact with the base it may cause kickback and result in serious personal injury.

Stopper arm

The lower limit position of the blade can be easily adjusted with the stopper arm. To adjust it, turn the stopper arm in the direction of the arrow as shown in the figure. Turn the adjusting screw so that the blade stops at the desired position when lowering the handle fully.

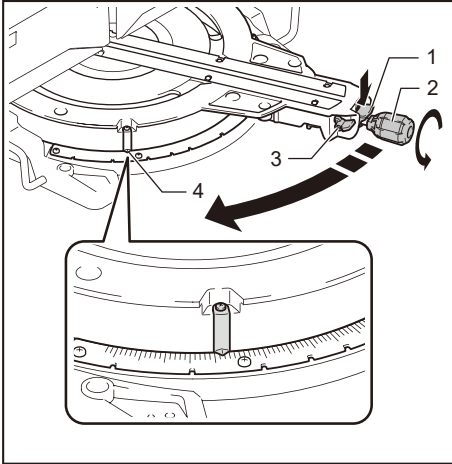


► 1. Stopper arm 2. Adjusting screw

Adjusting the miter angle

⚠CAUTION: After changing the miter angle, always secure the turn base by tightening the grip firmly.

NOTICE: When turning the turn base, be sure to raise the handle fully.



- 1. Lock lever 2. Grip 3. Releasing lever 4. Pointer

Rotate the grip counterclockwise to unlock the turn base. Turn the grip while holding down the lock lever to move the turn base. Align the pointer with your desired angle on the scale then tighten the grip.

NOTE: If you depress the releasing lever, you can move the turn base without holding down the lock lever. Tighten the grip at your desired position.

This miter saw employs positive stop function. You can set 0°, 15°, 22.5°, 31.6°, 45°, and 60° right/left miter angle quickly. To use this function, move the turn base close to your desired positive stop angle while holding down the lock lever. Then release the lock lever and move the turn base forward until the turn base is locked.

Adjusting the bevel angle

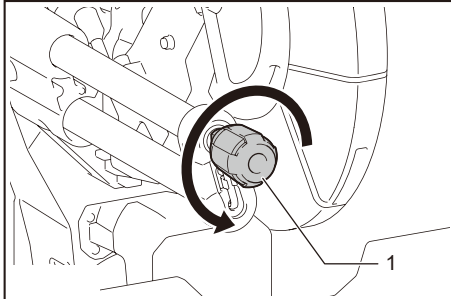
NOTICE: Always remove the upper guide fences and vertical vise before adjusting the bevel angle.

NOTICE: When changing bevel angles, be sure to position the kerf boards appropriately as explained in the "Kerf boards" section.

NOTICE: When tilting the saw blade, be sure to raise the handle fully.

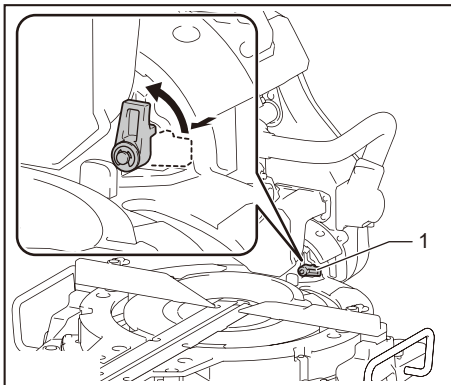
NOTICE: Do not tighten the knob too hard. Doing so may cause malfunction of the locking mechanism of the bevel angle.

1. Turn the knob on the slide pole counterclockwise.



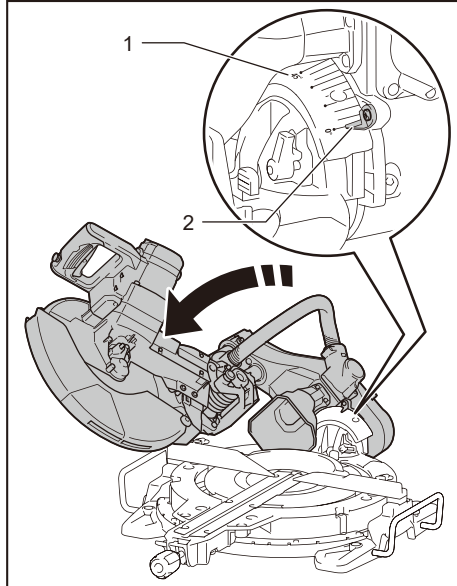
- 1. Knob

2. Pull and turn the latch lever to the position as illustrated.



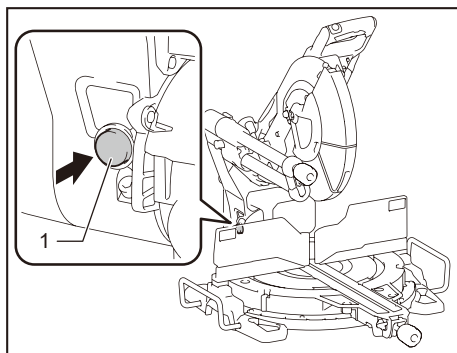
- 1. Latch lever

3. Match the pointer with your desired angle on the scale by moving the carriage then tighten the knob.



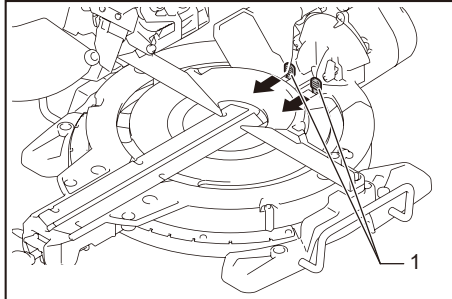
► 1. Bevel angle scale 2. Pointer

To tilt the carriage to the right, tilt the carriage to the left slightly and then tilt it to the right while pressing down the releasing button.



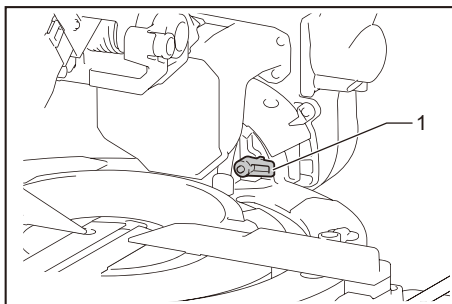
► 1. Releasing button

If you perform a bevel cut greater than 45°, move the carriage while sliding the releasing lever toward the front of the tool. You can perform up to 48° bevel cut.



► 1. Releasing lever

This miter saw employs positive stop function. You can set 22.5° and 33.9° angle to both right and left quickly. Set the latch lever in the position as illustrated and tilt the carriage. To change the angle, pull the latch lever and tilt the carriage.

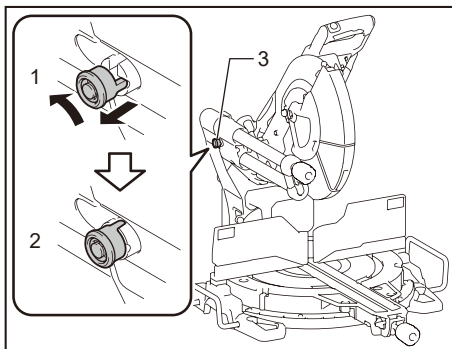


► 1. Latch lever

CAUTION: After changing the bevel angle, always secure the knob.

Slide lock

To lock the sliding movement of the carriage, push the carriage toward the guide fence until it stops. Pull the stopper pin and rotate it 90°.



► 1. Unlocked position 2. Locked position 3. Stopper pin

Switch action

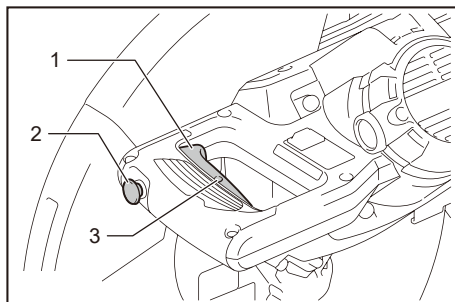
⚠WARNING: Before plugging in the tool, always check to see that the switch trigger actuates properly and returns to the "OFF" position when released. Do not pull the switch trigger hard without pressing in the lock-off button. This can cause switch breakage.

Operating a tool with a switch that does not actuate properly can lead to loss of control and serious personal injury.

⚠WARNING: NEVER use tool without a fully operative switch trigger. Any tool with an inoperative switch is HIGHLY DANGEROUS and must be repaired before further usage or serious personal injury may occur.

⚠WARNING: NEVER defeat the lock-off button by taping down or some other means. A switch with a negated lock-off button may result in unintentional operation and serious personal injury.

⚠WARNING: NEVER use the tool if it runs when you simply pull the switch trigger without pressing the lock-off button. A switch in need of repair may result in unintentional operation and serious personal injury. Return tool to a Makita service center for proper repairs BEFORE further usage.



► 1. Switch trigger 2. Lock-off button 3. Hole for padlock

To prevent the switch trigger from being accidentally pulled, a lock-off button is provided. To start the tool, press in the lock-off button and pull the switch trigger. Release the switch trigger to stop.

A hole is provided in the switch trigger for insertion of a padlock to lock the tool off.

⚠WARNING: Do not use a lock with a shank or cable any smaller than 6.35 mm (1/4") in diameter. A smaller shank or cable may not properly lock the tool in the off position and unintentional operation may occur resulting in serious personal injury.

Electric brake

This tool is equipped with an electric blade brake. If the tool consistently fails to quickly stop the blade after the switch trigger is released, have the tool serviced at a Makita service center.

⚠CAUTION: The blade brake system is not a substitute for the blade guard. Never use tool without a functioning blade guard. An unguarded blade may result in serious personal injury.

Electronic function

Constant speed control

The tool is provided with an electronic speed control which helps maintain a constant blade rotation speed even under load. A constant blade rotation speed will result in a very smooth cut.

Soft start feature

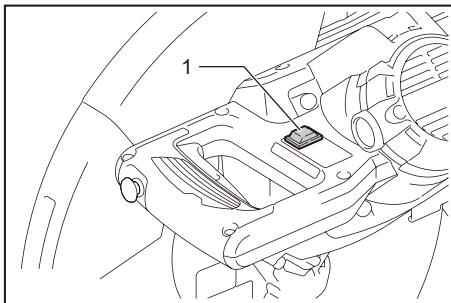
This function allows the smooth start-up of the tool by limiting the start-up torque.

Laser beam action

For model LS1219L only

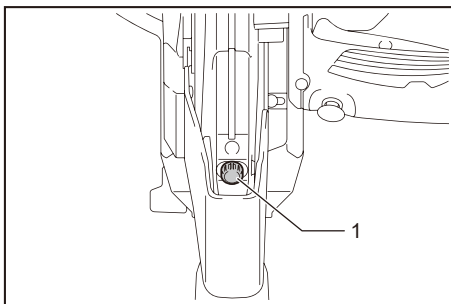
⚠CAUTION: Never look into the laser beam. Direct laser beam may injure your eyes.

To turn on the laser beam, press the upper position (I) of the switch. To turn off the laser beam, press the lower position (O) of the switch.



► 1. Switch for laser

Laser line can be shifted to either the left or right side of the saw blade by turning the adjusting screw as follows.



► 1. Adjusting screw

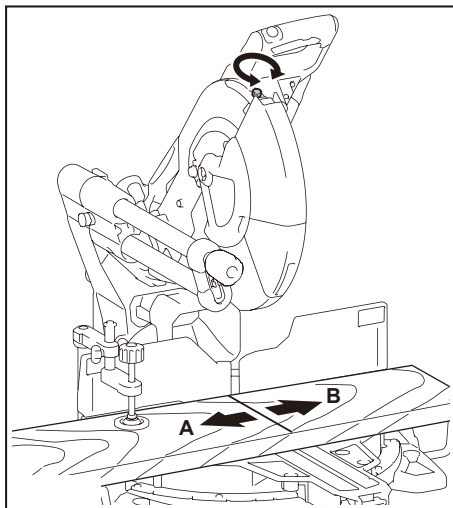
1. Loosen the adjusting screw by turning it counterclockwise.
2. With the adjusting screw loosened, slide the adjusting screw to the right or left as far as it goes.
3. Tighten the adjusting screw firmly at the position where it stops sliding.

NOTE: Laser line is factory adjusted so that it is positioned within 1 mm (0.04") from the side surface of the blade (cutting position).

NOTE: When laser line appears dim and hard to see because of direct sunlight, relocate the work area to a place where there is less direct sunlight.

Aligning the laser line

Align the cutting line on your workpiece with the laser line.



A) When you want to obtain the correct size on the left side of workpiece, shift the laser line to the left of the blade.

B) When you want to obtain the correct size on the right side of workpiece, shift the laser line to the right of the blade.

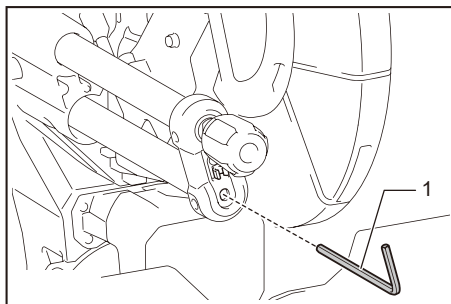
NOTE: Use wood facing against the guide fence when aligning the cutting line with the laser line at the side of guide fence in compound cutting (bevel angle 45° and miter angle right 45°).

ASSEMBLY

WARNING: Always be sure that the tool is switched off and unplugged before working on the tool. Failure to switch off and unplug the tool may result in serious personal injury.

Hex wrench storage

When not in use, store the hex wrench as shown in the figure to keep it from being lost.



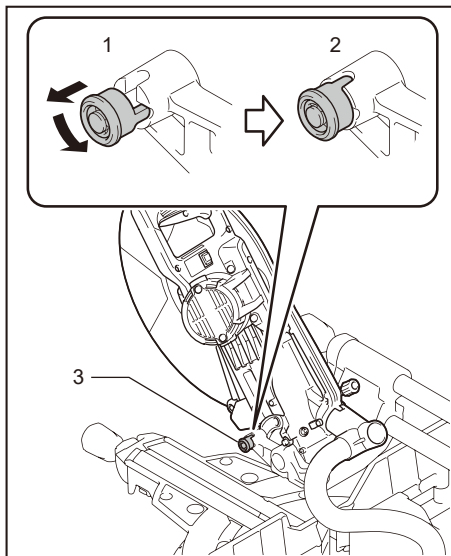
► 1. Hex wrench

Removing and installing saw blade

WARNING: Always be sure that the tool is switched off and unplugged before installing or removing the blade. Accidental start up of the tool may result in serious personal injury.

WARNING: Use only the Makita wrench provided to install or remove the blade. Failure to use the wrench may result in overtightening or insufficient tightening of the hex socket bolt and serious personal injury.

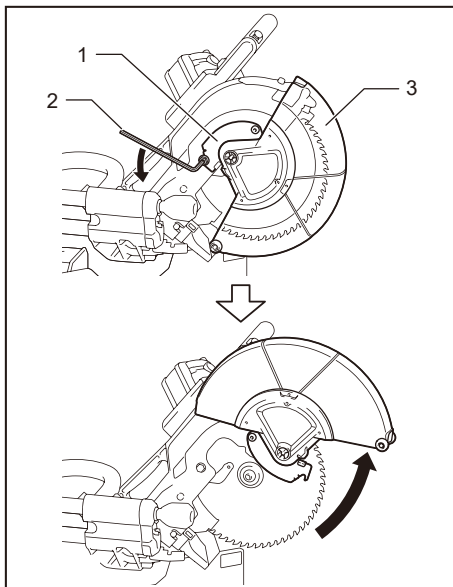
Always lock the carriage with raised position when removing and installing the blade. Pull the stopper pin and rotate it 90° with the carriage raised.



► 1. Unlocked position 2. Locked position 3. Stopper pin

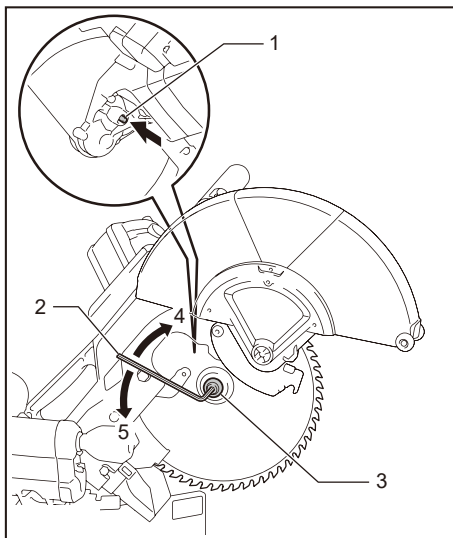
Removing the blade

Loosen the hex bolt holding the center cover using the hex wrench. Raise the blade guard and center cover.



► 1. Center cover 2. Hex wrench 3. Blade guard

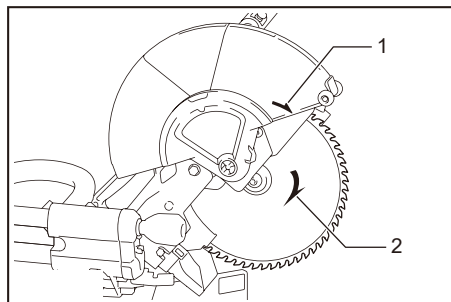
Press the shaft lock to lock the spindle and use the hex wrench to loosen the hex socket bolt. Then remove the hex socket bolt, outer flange and blade.



► 1. Shaft lock 2. Hex wrench 3. Hex socket bolt (left-handed) 4. Loosen 5. Tighten

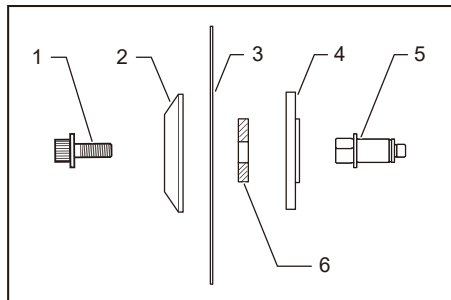
Installing the blade

Mount the blade carefully onto the spindle, making sure that the direction of the arrow on the surface of the blade matches the direction of the arrow on the blade case.



► 1. Arrow on the blade case 2. Arrow on the blade

Install the outer flange and hex socket bolt. Tighten the hex socket bolt counterclockwise using the hex wrench while pressing the shaft lock.



► 1. Hex socket bolt 2. Outer flange 3. Saw blade 4. Inner flange 5. Spindle 6. Ring

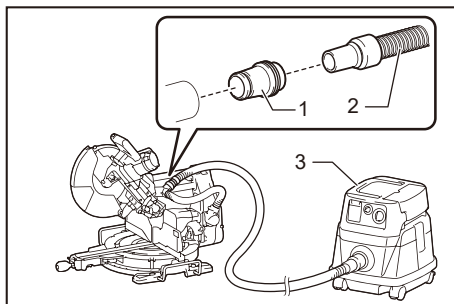
NOTICE: If the inner flange is removed, be sure to install it on the spindle with its protrusion facing away from the blade. If the flange is installed incorrectly, the flange will rub against the machine.

Return the blade guard and center cover to its original position. Then tighten the hex bolt clockwise to secure the center cover. Unlock the stopper pin to release carriage from the raised position. Lower the handle to make sure that the blade guard moves properly. Make sure shaft lock has released spindle before making cut.

▲WARNING: Before mounting the blade onto the spindle, always be sure that the correct ring for the blade's arbor hole you intend to use is installed between the inner and the outer flanges. Use of the incorrect arbor hole ring may result in the improper mounting of the blade causing blade movement and severe vibration resulting in possible loss of control during operation and in serious personal injury.

Connecting a vacuum cleaner

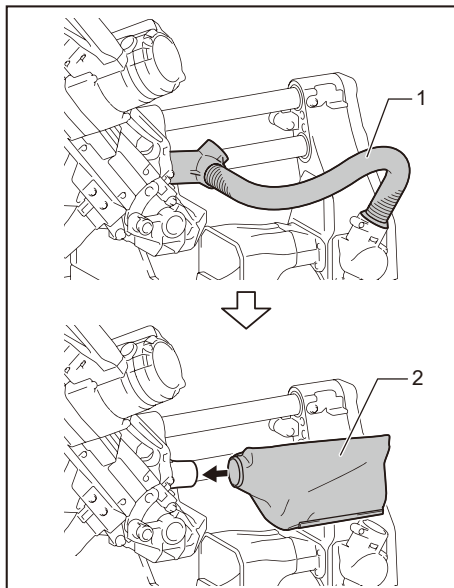
When you wish to perform clean cutting operation, connect a Makita vacuum cleaner to the dust nozzle using a front cuff 24 (optional accessory).



► 1. Front cuff 24 2. Hose 3. Vacuum cleaner

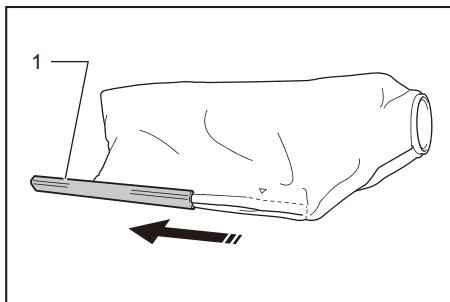
Dust bag

The use of the dust bag makes cutting operations clean and dust collection easy. To attach the dust bag, remove the dust extraction hose on the tool and connect the dust bag.



► 1. Dust extraction hose 2. Dust bag

When the dust bag is about half full, remove the dust bag from the tool and pull the fastener out. Empty the dust bag of its contents, tapping it lightly so as to remove particles adhering to the insides which might hamper further collection.



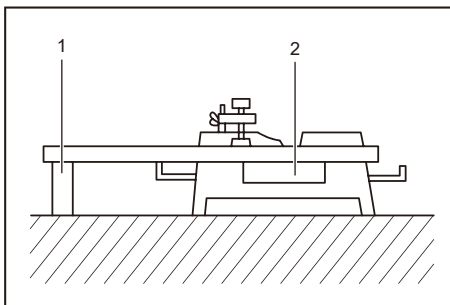
► 1. Fastener

Securing workpiece

⚠ WARNING: It is extremely important to always secure the workpiece correctly with the proper type of vise or crown molding stoppers. Failure to do so may result in serious personal injury and cause damage to the tool and/or the workpiece.

⚠ WARNING: After a cutting operation do not raise the blade until it has come to a complete stop. The raising of a coasting blade may result in serious personal injury and damage to the workpiece.

⚠ WARNING: When cutting a workpiece that is longer than the support base of the saw, the material should be supported the entire length beyond the support base and at the same height to keep the material level. Proper workpiece support will help avoid blade pinch and possible kickback which may result in serious personal injury. Do not rely solely on the vertical vise and/or horizontal vise to secure the workpiece. Thin material tends to sag. Support workpiece over its entire length to avoid blade pinch and possible KICKBACK.



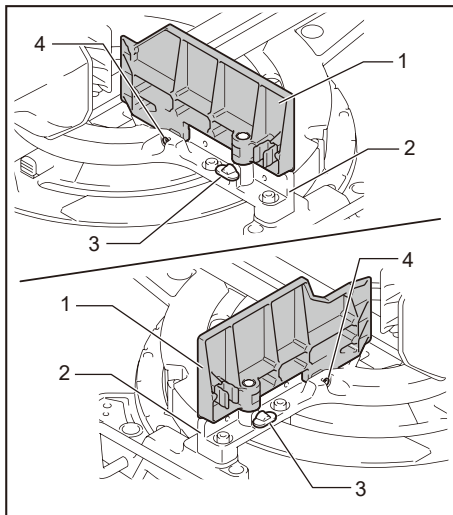
► 1. Support 2. Turn base

Guide fences

⚠ WARNING: Before operating the tool, make sure that the upper fence is secured firmly.

⚠ WARNING: Before bevel-cutting, make sure that no part of the tool, especially the blade, contacts the upper and lower fences when fully lowering and raising the handle in any position and while moving the carriage through its full range of travel. If the tool or blade makes contact with the fence this may result in kickback or unexpected movement of the material and serious personal injury.

Use upper fences to support the material higher than the lower fences. Insert the upper fence into the hole on the lower fence and tighten the clamping screw on the lower fence and tighten the clamping screw.

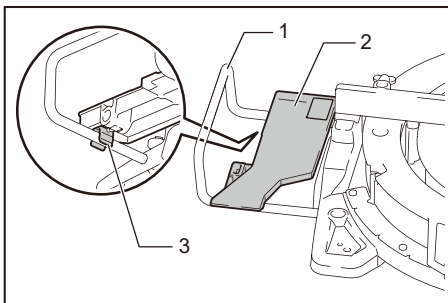


- 1. Upper fence 2. Lower fence 3. Clamping screw
4. Adjusting screw

NOTICE: The lower fences are fixed to the base in the factory. Do not remove the lower fences.

NOTICE: If the upper fence is still loose after tightening the clamping screw, turn the adjusting screw to close a gap. The adjusting screw is factory adjusted. You don't need to use it unless needed.

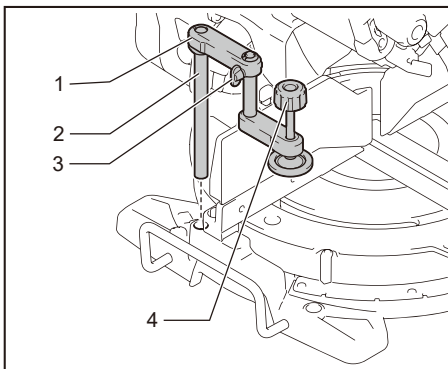
You can store the upper fences onto the holder when not in use. Use the clip on the upper fence to hold it on the holder.



- 1. Holder 2. Upper fence 3. Clip

Vertical vise

⚠ WARNING: The workpiece must be secured firmly against the turn base and guide fence with the vise during all operations. If the workpiece is not properly secured against the fence the material may move during the cutting operation causing possible damage to the blade, causing the material to be thrown and loss of control resulting in serious personal injury.



- 1. Vise arm 2. Vise rod 3. Clamping screw 4. Vise knob

The vertical vise can be installed in two positions on either the left or right side of the base. Insert the vise rod into the hole in the base.

Position the vise arm according to the thickness and shape of the workpiece and secure the vise arm by tightening the screw. If the clamping screw contacts the carriage, install it on the opposite side of vise arm. Make sure that no part of the tool contacts the vise when lowering the handle all the way. If some part contacts the vise, re-position the vise.

Press the workpiece flat against the guide fence and the turn base. Position the workpiece at the desired cutting position and secure it firmly by tightening the vise knob.

NOTE: For a quick setting of workpiece, turning the vise knob to 90° counterclockwise allows the vise knob to be moved up and down. To secure the workpiece after setting, turn the vise knob clockwise.

Horizontal vise

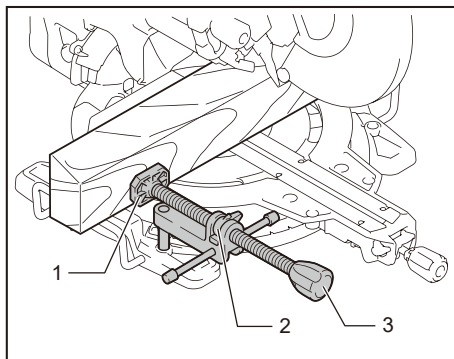
Optional accessory

⚠WARNING: Always rotate the vise nut clockwise until the workpiece is properly secured. If the workpiece is not properly secured the material may move during the cutting operation causing possible damage to the blade, causing the material to be thrown and loss of control resulting in serious personal injury.

⚠WARNING: When cutting a thin workpiece, such as base boards, against the fence, always use the horizontal vise.

⚠CAUTION: When cutting the workpiece of the thickness 20 mm (13/16") or thinner, make sure to use a spacer block to secure the workpiece.

The horizontal vise can be installed in two positions on either the left or right side of the base. When performing 22.5° or greater miter cuts, install the horizontal vise on the side opposite the direction in which the turn base is to be turned.



► 1. Vise plate 2. Vise nut 3. Vise knob

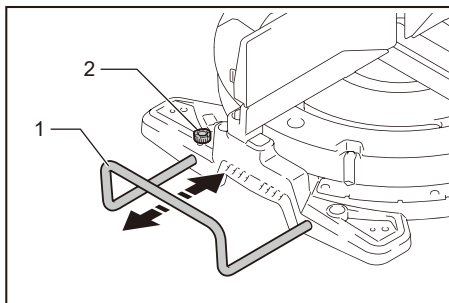
By flipping the vise nut counterclockwise, the vise is released, and rapidly moves in and out. To grip the workpiece, push the vise knob forward until the vise plate contacts the workpiece and flip the vise nut clockwise. Then turn the vise knob clockwise to secure the workpiece.

NOTE: The maximum width of workpiece which can be secured by the horizontal vise is 228 mm (9").

Holders

⚠WARNING: Always support a long workpiece so it is level with the top surface of the turn base for an accurate cut and to prevent dangerous loss of tool control. Proper workpiece support will help avoid blade pinch and possible kickback which may result in serious personal injury.

To hold long workpieces horizontally, holders are provided on both sides of the tool. Loosen the screws and extend the holders to the appropriate length for holding the workpiece. Then tighten the screws.



► 1. Holder 2. Screw

OPERATION

⚠WARNING: Make sure the blade is not contacting the workpiece, etc. before the switch is turned on. Turning the tool on with the blade in contact with the workpiece may result in kickback and serious personal injury.

⚠WARNING: After a cutting operation, do not raise the blade until it has come to a complete stop. The raising of a coasting blade may result in serious personal injury and damage to the workpiece.

⚠WARNING: Do not perform any adjustment such as turning grip, knob, and levers on the tool while the blade is rotating. Adjustment while the blade is rotating may result in serious personal injury.

NOTICE: Before use, be sure to unlock the stopper pin and release the handle from the lowered position.

NOTICE: Do not apply excessive pressure on the handle when cutting. Too much force may result in overload of the motor and/or decreased cutting efficiency. Press down handle with only as much force as necessary for smooth cutting and without significant decrease in blade speed.

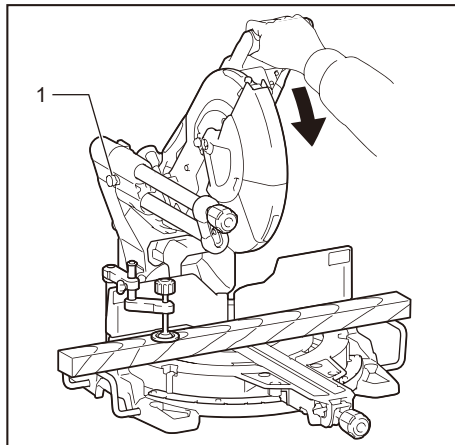
NOTICE: Gently press down the handle to perform the cut. If the handle is pressed down with force or if lateral force is applied, the blade may vibrate and leave a mark (saw mark) in the workpiece and the precision of the cut may be impaired.

NOTICE: During a slide cut, gently push the carriage toward the guide fence without stopping. If the carriage movement is stopped during the cut, a mark will be left in the workpiece and the precision of the cut will be impaired.

Press cutting

⚠️WARNING: Always lock the sliding movement of the carriage when performing a press cutting. Cutting without lock may cause possible kickback which may result in serious personal injury.

Workpieces up to 92 mm (3-5/8") high and 183 mm (7-1/4") wide can be cut in the following manner.



► 1. Stopper pin

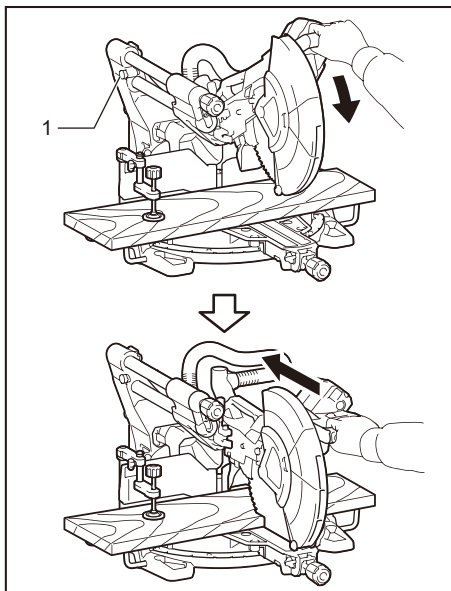
1. Push the carriage toward the guide fence until it stops and lock it with the stopper pin.
2. Secure the workpiece with the proper type of vise.
3. Switch on the tool without the blade making any contact and wait until the blade attains full speed before lowering.
4. Gently lower the handle to the fully lowered position to cut the workpiece.
5. When the cut is completed, switch off the tool and wait until the blade has come to a complete stop before returning the blade to its fully elevated position.

Slide (push) cutting (cutting wide workpieces)

⚠️WARNING: Whenever performing a slide cut, first pull the carriage full towards you and press the handle all the way down, then push the carriage toward the guide fence. Never start the cut with the carriage not pulled fully toward you. If you perform the slide cut without the carriage pulled fully toward you unexpected kickback may occur and serious personal injury may result.

⚠️WARNING: Never attempt to perform a slide cut by pulling the carriage towards you. Pulling the carriage towards you while cutting may cause unexpected kickback resulting in possible serious personal injury.

⚠️WARNING: Never perform the slide cut with the handle locked in the lowered position.



► 1. Stopper pin

1. Unlock the stopper pin so that the carriage can slide freely.
2. Secure the workpiece with the proper type of vise.
3. Pull the carriage toward you fully.
4. Switch on the tool without the blade making any contact and wait until the blade attains full speed.
5. Press the handle down and **push the carriage toward the guide fence and through the workpiece.**
6. When the cut is completed, switch off the tool and **wait until the blade has come to a complete stop** before returning the blade to its fully elevated position.

Miter cutting

Refer to the previously covered "Adjusting the miter angle".

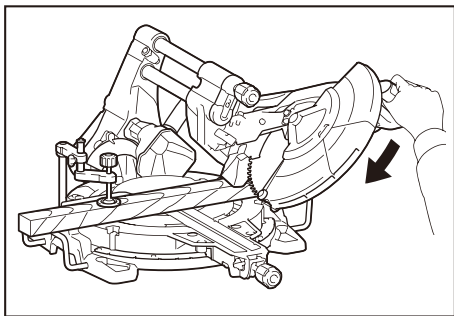
Bevel cut

⚠WARNING: After setting the blade for a bevel cut, ensure that the carriage and blade will have free travel throughout the entire range of the intended cut before operating the tool. Interruption of the carriage or blade travel during the cutting operation may result in kickback and serious personal injury.

⚠WARNING: While making a bevel cut keep hands out of the path of the blade. The angle of the blade may confuse the operator as to the actual blade path while cutting and contact with the blade will result in serious personal injury

⚠WARNING: The blade should not be raised until it has come to a complete stop. During a bevel cut the piece cut off may come to rest against the blade. If the blade is raised while it is rotating the cut-off piece may be ejected by the blade causing the material to fragment which may result in serious personal injury.

NOTICE: When pressing down the handle, apply pressure in parallel with the blade. If a force is applied perpendicularly to the turn base or if the pressure direction is changed during a cut, the precision of the cut will be impaired.



1. Remove the upper fence on the side that you are going to tilt the carriage.
2. Unlock the stopper pin.
3. Adjust the bevel angle according to the procedure explained in the "Adjusting the bevel angle" section. Then tighten the knob.
4. Secure the workpiece with a vise.
5. Pull the carriage toward you fully.
6. Switch on the tool without the blade making any contact and wait until the blade attains full speed.
7. Gently lower the handle to the fully lowered position while applying pressure in parallel with the blade and push the carriage toward the guide fence to cut the workpiece.
8. When the cut is completed, switch off the tool and wait until the blade has come to a complete stop before returning the blade to its fully elevated position.

Compound cutting

Compound cutting is the process in which a bevel angle is made at the same time in which a miter angle is being cut on a workpiece. Compound cutting can be performed at the angle shown in the table.

Miter angle	Bevel angle
Left and Right 0° - 45°	Left and Right 0° - 45°

When performing compound cutting, refer to "Press cutting", "Slide (push) cutting", "Miter cutting" and "Bevel cut" explanations

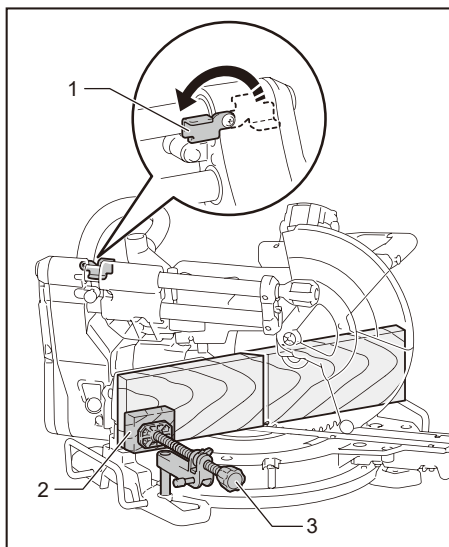
Cutting base boards

⚠CAUTION: Make sure to use the horizontal vise (optional accessory) when cutting the base board.

⚠CAUTION: When cutting the workpiece of the thickness 20 mm (13/16") or thinner, make sure to use a spacer block to secure the workpiece.

When cutting the base board in 45° miter angle, engage the stopper lever to prevent the blade case from contacting the base board. This will keep the clearance between the base board and the blade case when the carriage is fully pushed forward.

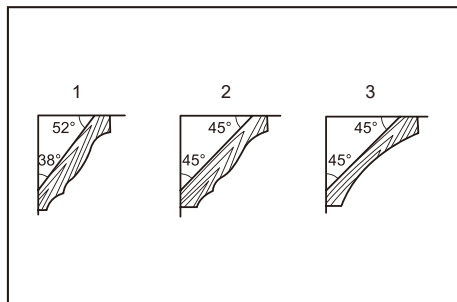
Refer to the SPECIFICATIONS for base board cutting capacity.



- 1. Stopper lever 2. Spacer block 3. Horizontal vise

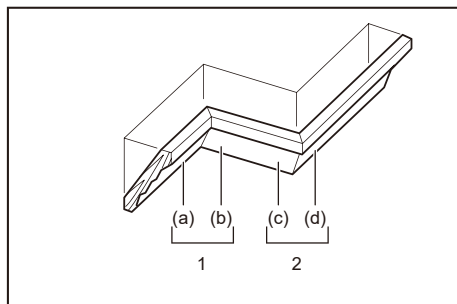
Cutting crown and cove moldings

Crown and cove moldings can be cut on a compound miter saw with the moldings laid flat on the turn base. There are two common types of crown moldings and one type of cove moldings; 52/38° wall angle crown molding, 45° wall angle crown molding, 45° wall angle crown molding and 45° wall angle cove molding.

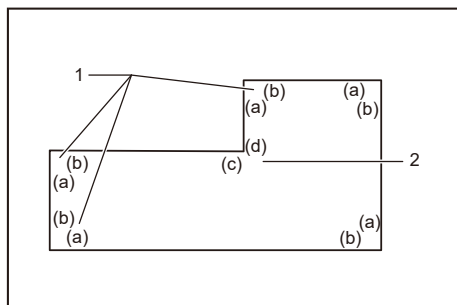


► 1. 52/38° type crown molding 2. 45° type crown molding 3. 45° type cove molding

There are crown and cove molding joints which are made to fit "Inside" 90° corners ((a) and (b) in the figure) and "Outside" 90° corners ((c) and (d) in the figure.)



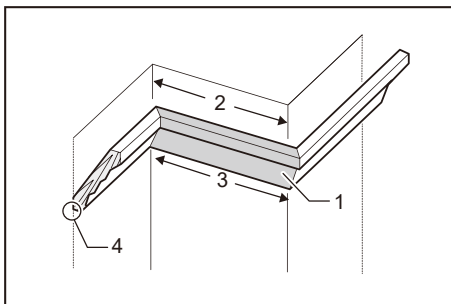
1. Inside corner 2. Outside corner



1. Inside corner 2. Outside corner

Measuring

Measure the wall width, and adjust the width of the workpiece according to it. Always make sure that width of the workpiece's wall contact edge is the same as wall length.

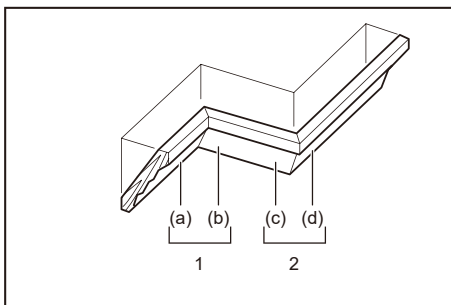


► 1. Workpiece 2. Wall width 3. Width of the workpiece 4. Wall contact edge

Always use several pieces for test cuts to check the saw angles.

When cutting crown and cove moldings, set the bevel angle and miter angle as indicated in the table (A) and position the moldings on the top surface of the saw base as indicated in the table (B).

In the case of left bevel cut



1. Inside corner 2. Outside corner

Table (A)

-	Molding position in the figure	Bevel angle		Miter angle	
		52/38° type	45° type	52/38° type	45° type
For inside corner	(a)	Left 33.9°	Left 30°	Right 31.6°	Right 35.3°
	(b)			Left 31.6°	Left 35.3°
For outside corner	(c)			Right 31.6°	Right 35.3°
	(d)				

Table (B)

–	Molding position in the figure	Molding edge against guide fence	Finished piece
For inside corner	(a)	Ceiling contact edge should be against guide fence.	Finished piece will be on the Left side of blade.
	(b)	Wall contact edge should be against guide fence.	
For outside corner	(c)	Wall contact edge should be against guide fence.	Finished piece will be on the Right side of blade.
	(d)	Ceiling contact edge should be against guide fence.	

Example:

In the case of cutting 52/38° type crown molding for position (a) in the above figure:

- Tilt and secure bevel angle setting to 33.9° LEFT.
- Adjust and secure miter angle setting to 31.6° RIGHT.
- Lay crown molding with its broad back (hidden) surface down on the turn base with its CEILING CONTACT EDGE against the guide fence on the saw.
- The finished piece to be used will always be on the LEFT side of the blade after the cut has been made.

Table (B)

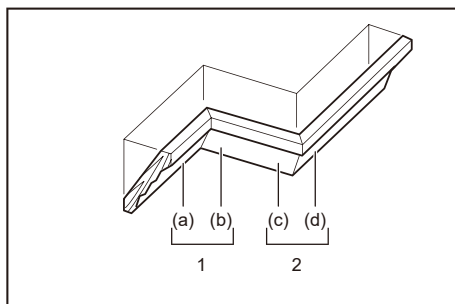
–	Molding position in the figure	Molding edge against guide fence	Finished piece
For inside corner	(a)	Wall contact edge should be against guide fence.	Finished piece will be on the Right side of blade.
	(b)	Ceiling contact edge should be against guide fence.	
For outside corner	(c)	Ceiling contact edge should be against guide fence.	Finished piece will be on the Left side of blade.
	(d)	Wall contact edge should be against guide fence.	

Example:

In the case of cutting 52/38° type crown molding for position (a) in the above figure:

- Tilt and secure bevel angle setting to 33.9° RIGHT.
- Adjust and secure miter angle setting to 31.6° RIGHT.
- Lay crown molding with its broad back (hidden) surface down on the turn base with its WALL CONTACT EDGE against the guide fence on the saw.
- The finished piece to be used will always be on the RIGHT side of the blade after the cut has been made.

In the case of right bevel cut



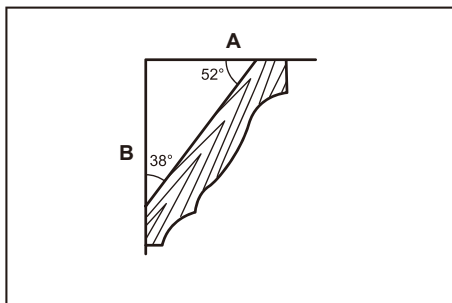
1. Inside corner 2. Outside corner

Table (A)

–	Molding position in the figure	Bevel angle		Miter angle	
		52/38° type	45° type	52/38° type	45° type
For inside corner	(a)	Right 33.9°	Right 30°	Right 31.6°	Right 35.3°
	(b)			Left 31.6°	Left 35.3°
For outside corner	(c)			Right 31.6°	Right 35.3°
	(d)			Right 31.6°	Right 35.3°

Miter and Bevel Angle Settings

Wall to Crown Molding Angle: 52°/38°



	1	2	3
△ 60	43.0	46.8	
61	42.8	46.3	
62	42.5	45.7	
63	42.2	45.1	
64	41.9	44.6	
65	41.7	44.0	
66	41.4	43.5	
67	41.1	42.9	
68	40.8	42.4	
69	40.5	41.9	
70	40.2	41.3	
71	39.9	40.8	
72	39.6	40.3	
73	39.3	39.8	
74	39.0	39.2	
75	38.7	38.7	
76	38.4	38.2	
77	38.1	37.7	
78	37.8	37.2	
79	37.4	36.8	
80	37.1	36.3	
81	36.8	35.8	
82	36.5	35.3	
83	36.2	34.8	
84	35.8	34.4	
85	35.5	33.9	
86	35.2	33.4	
87	34.9	33.0	
88	34.5	32.5	
89	34.2	32.1	
△ 90	33.9	31.6	
91	33.5	31.2	
92	33.2	30.7	
93	32.8	30.3	
94	32.5	29.9	
95	32.2	29.4	
96	31.8	29.0	
97	31.5	28.6	
98	31.1	28.2	
99	30.8	27.7	
100	30.4	27.3	

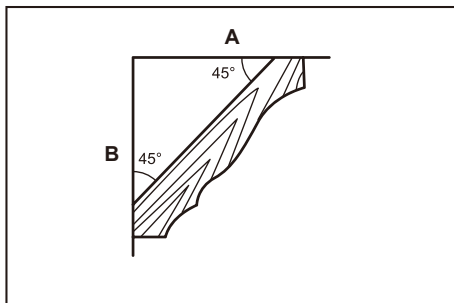
	1	2	3
101	30.1	26.9	
102	29.7	26.5	
103	29.4	26.1	
104	29.0	25.7	
105	28.7	25.3	
106	28.3	24.9	
107	28.0	24.5	
108	27.6	24.1	
109	27.2	23.7	
110	26.9	23.3	
111	26.5	22.9	
112	26.1	22.6	
113	25.8	22.2	
114	25.4	21.8	
115	25.0	21.4	
116	24.7	21.0	
117	24.3	20.7	
118	23.9	20.3	
119	23.6	19.9	
△ 120	23.2	19.6	
121	22.8	19.2	
122	22.5	18.8	
123	22.1	18.5	
124	21.7	18.1	
125	21.3	17.8	
126	21.0	17.4	
127	20.6	17.1	
128	20.2	16.7	
129	19.8	16.4	
130	19.5	16.0	
131	19.1	15.7	
132	18.7	15.3	
133	18.3	15.0	
134	17.9	14.6	
135	17.6	14.3	
136	17.2	14.0	
137	16.8	13.6	
138	16.4	13.3	
139	16.0	13.0	
140	15.6	12.8	

	1	2	3
141	15.3	12.3	
142	14.9	12.0	
143	14.5	11.6	
144	14.1	11.3	
145	13.7	11.0	
146	13.3	10.7	
147	12.9	10.3	
148	12.5	10.0	
149	12.2	9.7	
△ 150	11.8	9.4	
151	11.4	9.0	
152	11.0	8.7	
153	10.8	8.4	
154	10.2	8.1	
155	9.8	7.8	
156	9.4	7.5	
157	9.0	7.1	
158	8.6	6.8	
159	8.3	6.5	
160	7.9	6.2	
161	7.5	5.9	
162	7.1	5.6	
163	6.7	5.3	
164	6.3	4.9	
165	5.9	4.6	
166	5.5	4.3	
167	5.1	4.0	
168	4.7	3.7	
169	4.3	3.4	
170	3.9	3.1	
171	3.5	2.8	
172	3.2	2.5	
173	2.8	2.2	
174	2.4	1.8	
175	2.0	1.5	
176	1.6	1.2	
177	1.2	0.9	
178	0.8	0.6	
179	0.4	0.3	
△ 180	0.0	0.0	

A Ceiling side B Wall side

1. Wall Angle (deg.) 2. Bevel Angle (deg.) 3. Miter Angle (deg.)

Wall to Crown Molding Angle: 45°



	1	2	3
Δ 60		37.8	50.8
61		37.5	50.2
62		37.3	49.6
63		37.1	49.1
64		36.8	48.5
65		36.6	48.0
66		36.4	47.4
67		36.1	46.9
68		35.9	46.4
69		35.6	45.8
70		35.4	45.3
71		35.1	44.8
72		34.9	44.2
73		34.6	43.7
74		34.4	43.2
75		34.1	42.7
76		33.9	42.1
77		33.6	41.6
78		33.3	41.1
79		33.1	40.6
80		32.8	40.1
81		32.5	39.6
82		32.3	39.1
83		32.0	38.6
84		31.7	38.1
85		31.4	37.7
86		31.1	37.2
87		30.9	36.7
88		30.6	36.2
89		30.3	35.7
∠ 90		30.0	35.3
91		29.7	34.8
92		29.4	34.3
93		29.1	33.9
94		28.8	33.4
95		28.5	32.9
96		28.2	32.5
97		27.9	32.0
98		27.6	31.6
99		27.3	31.1
100		27.0	30.7

	1	2	3
101		26.7	30.2
102		26.4	29.8
103		26.1	29.4
104		25.8	28.9
105		25.5	28.5
106		25.2	28.1
107		24.9	27.6
108		24.6	27.2
109		24.2	26.8
110		23.9	26.3
111		23.6	25.9
112		23.3	25.5
113		23.0	25.1
114		22.7	24.7
115		22.3	24.3
116		22.0	23.8
117		21.7	23.4
118		21.4	23.0
119		21.0	22.6
∠ 120		20.7	22.2
121		20.4	21.8
122		20.0	21.4
123		19.7	21.0
124		19.4	20.6
125		19.1	20.2
126		18.7	19.8
127		18.4	19.4
128		18.1	19.0
129		17.7	18.6
130		17.4	18.2
131		17.1	17.9
132		16.7	17.5
133		16.4	17.1
134		16.0	16.7
135		15.7	16.3
136		15.4	15.9
137		15.0	15.6
138		14.7	15.2
139		14.3	14.8
140		14.0	14.4

	1	2	3
141		13.7	14.1
142		13.3	13.7
143		13.0	13.3
144		12.6	12.9
145		12.3	12.6
146		11.9	12.2
147		11.6	11.8
148		11.2	11.5
149		10.9	11.1
∠ 150		10.5	10.7
151		10.2	10.4
152		9.8	10.0
153		9.5	9.6
154		9.2	9.3
155		8.8	8.9
156		8.5	8.5
157		8.1	8.2
158		7.8	7.8
159		7.4	7.5
160		7.1	7.1
161		6.7	6.7
162		6.4	6.4
163		6.0	6.0
164		5.6	5.7
165		5.3	5.3
166		4.9	5.0
167		4.6	4.6
168		4.2	4.3
169		3.9	3.9
170		3.5	3.5
171		3.2	3.2
172		2.8	2.8
173		2.5	2.5
174		2.1	2.1
175		1.8	1.8
176		1.4	1.4
177		1.1	1.1
178		0.7	0.7
179		0.4	0.4
∠ 180		0.0	0.0

A Ceiling side B Wall side

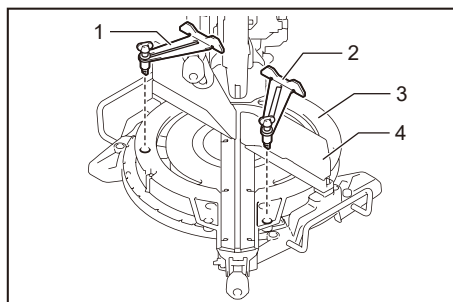
1. Wall Angle (deg.) 2. Bevel Angle (deg.) 3. Miter Angle (deg.)

► Crown molding stopper

Optional accessory

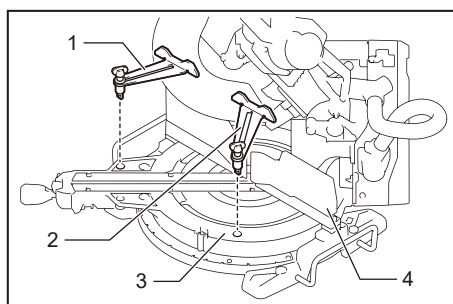
Crown molding stoppers allow easier cuts of crown molding without tilting the saw blade. Install them on the turn base as shown in the figures.

At right 45° miter angle



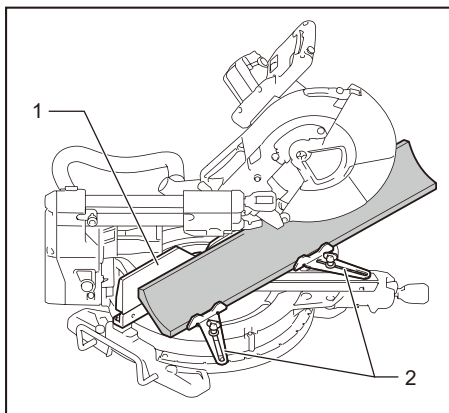
- 1. Crown molding stopper L 2. Crown molding stopper R 3. Turn base 4. Guide fence

At left 45° miter angle

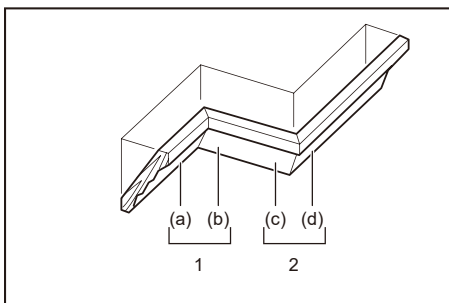


- 1. Crown molding stopper L 2. Crown molding stopper R 3. Turn base 4. Guide fence

Position crown molding with its WALL CONTACT EDGE against the guide fence and its CEILING CONTACT EDGE against the crown molding stoppers as shown in the figure. Adjust the crown molding stoppers according to the size of the crown molding. Tighten the screws to secure the crown molding stoppers. Refer to the table (C) for the miter angle.



- 1. Guide fence 2. Crown molding stopper

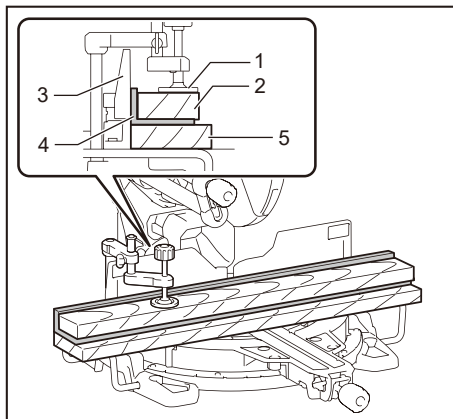


1. Inside corner 2. Outside corner

Table (C)

-	Molding position in the figure	Miter angle	Finished piece
For inside corner	(a)	Right 45°	Save the right side of blade
	(b)	Left 45°	Save the left side of blade
For outside corner	(c)	Right 45°	Save the right side of blade
	(d)		Save the left side of blade

Cutting aluminum extrusion



- 1. Vise 2. Spacer block 3. Guide fence 4. Aluminum extrusion 5. Spacer block

When securing aluminum extrusions, use spacer blocks or pieces of scrap as shown in the figure to prevent deformation of the aluminum. Use a cutting lubricant when cutting the aluminum extrusion to prevent build-up of the aluminum material on the blade.

⚠ WARNING: Never attempt to cut thick or round aluminum extrusions. Thick or round aluminum extrusions can be difficult to secure and the work may loosen during the cutting operation which may result in loss of control and serious personal injury.

Wood facing

⚠ WARNING: Use screws to attach the wood facing to the guide fence. The screws should be installed so that the screw heads are below the surface of the wood facing so that they will not interfere with the positioning of the material being cut. Misalignment of the material being cut can cause unexpected movement during the cutting operation which may result in a loss of control and serious personal injury.

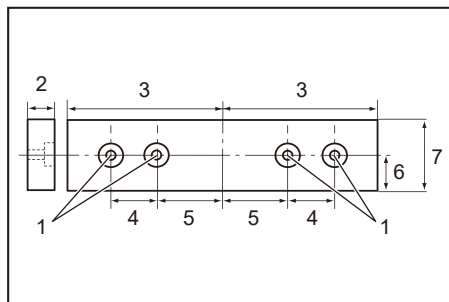
⚠ CAUTION: Use straight wood of even thickness for the wood facing.

⚠ CAUTION: In order to completely cut through workpieces with a height of 107 mm to 120 mm (4-1/4" to 4-3/4"), a wood facing should be used on the guide fence. The wood facing will space the workpiece away from the fence allowing the blade to complete a deeper cut.

NOTICE: When the wood facing is attached, do not turn the turn base with the handle lowered. The blade and/or the wood facing will be damaged.

Use of wood facing helps to assure splinter-free cuts in workpieces. Attach a wood facing to the guide fence using the holes in the guide fence and 6 mm (1/4") screws.

See the figure concerning the dimensions for a suggested wood facing.



- 1. Hole 2. Over 15 mm (9/16") 3. Over 270 mm (10-5/8") 4. 90 mm (3-1/2") 5. 145 mm (5-3/4") 6. 19 mm (3/4") 7. 115 - 120 mm (4-1/2" - 4-3/4")

EXAMPLE When cutting workpieces 115 mm (4-1/2") and 120 mm (4-3/4") high, use a wood facing with the following thickness.

Miter angle	Thickness of wood facing	
	115 mm (4-1/2")	120 mm (4-3/4")
0°	20 mm (13/16")	38 mm (1-1/2")
Left and Right 45°	15 mm (9/16")	25 mm (1")
Left and Right 60°	15 mm (9/16")	25 mm (1")

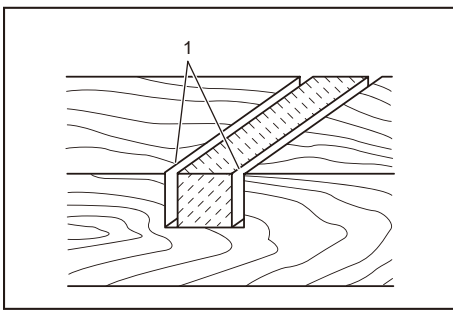
Groove cutting

⚠ WARNING: Do not attempt to perform this type of cut by using a wider type blade or dado blade. Attempting to make a groove cut with a wider blade or dado blade could lead to unexpected cutting results and kickback which may result in serious personal injury.

⚠ WARNING: Be sure to return the stopper arm to the original position when performing other than groove cutting. Attempting to make cuts with the stopper arm in the incorrect position could lead to unexpected cutting results and kickback which may result in serious personal injury.

For a dado type cut, perform as follows:

- Adjust the lower limit position of the blade using the adjusting screw and the stopper arm to limit the cutting depth of the blade. Refer to "Stopper arm" section described on previously.
- After adjusting the lower limit position of the blade, cut parallel grooves across the width of the workpiece using a slide (push) cut.



► 1. Cut grooves with blade

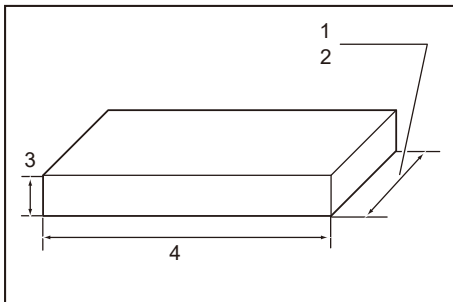
3. Remove the workpiece material between the grooves with a chisel.

Special Max Width Cutting Capacities Technique

The maximum width cutting capacity of this tool can be achieved by following the steps below:

For the maximum cutting width of this tool refer to the SPECIFICATIONS under "Cutting capacities for special cuttings".

1. Set the tool at 0° or 45° miter angle and make sure that the turn base is locked. (Refer to the section titled "Adjusting the miter angle".)
2. Remove both right and left upper fences temporarily and set aside.
3. Cut a platform to the dimensions indicated in the figure using a 38 mm (1-1/2") thick, flat stock material such as wood, plywood or particle board.

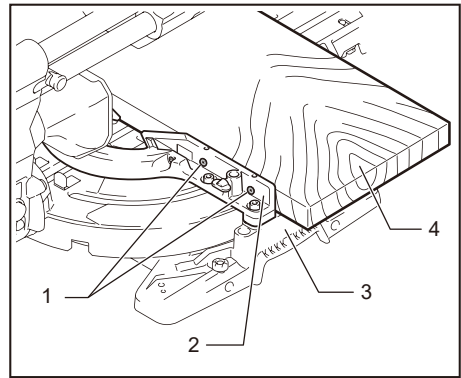


► 1. 0° Miter angle: Over 450 mm (17-3/4") 2. 45° Miter angle: Over 325 mm (12-3/4") 3. 38 mm (1-1/2") 4. Over 760 mm (30")

⚠ WARNING: Be sure to use flat stock as a platform. Stock that is not flat may move during the cutting operation which may result in kickback and serious personal injury.

NOTE: The maximum cutting capacity in height will be reduced by the same amount as the platform thickness.

4. Place the platform on the tool so that it extends equally over each side of the tool base. Secure the platform to the tool using four 6 mm (1/4") wood screws through four holes in the lower fences.



► 1. Screws (two each side) 2. Lower fence 3. Base 4. Platform

⚠ WARNING: Make sure that the platform is laying flat against the tool base and secured firmly to the lower fences using the four screw holes provided. Failure to properly secure the platform may result in movement and possible kickback resulting in serious personal injury.

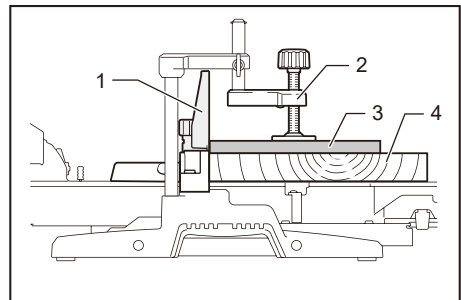
⚠ WARNING: Ensure that the tool is firmly mounted to a stable and flat surface. Failure to properly mount and secure the tool could cause the tool to be unstable resulting in a loss of control and/or the tool falling which may result in serious personal injury.

5. Install both the upper fences on the tool.

⚠ WARNING: Do not use the tool without upper fences installed. The upper fences provide the adequate support required to cut the workpiece. If the workpiece is not supported properly, it may move resulting in possible loss of control, kickback and serious personal injury.

6. Place the workpiece to be cut on the platform secured to the tool.

7. Secure the workpiece firmly against the upper fences with a vise before cutting.



► 1. Upper fence 2. Vertical vise 3. Workpiece 4. Platform

8. Make a cut through the workpiece slowly according to the operation titled "Slide (push) cutting (cutting wide workpieces)."

⚠WARNING: Ensure that the workpiece is secured with the vise and make the cut slowly. Failure to do so may cause the workpiece to move resulting in possible kickback and serious personal injury.

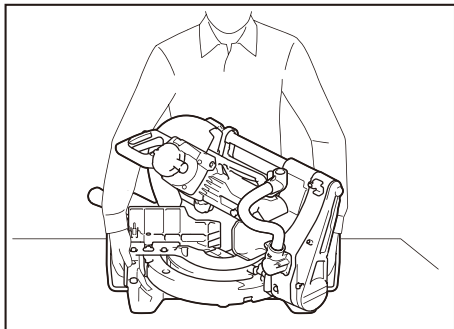
⚠WARNING: Be aware that the platform may become weakened after several cuts are performed at various miter angles. If the platform becomes weakened due to the multiple kerf cuts left in the material, the platform should be replaced. If the weakened platform is not replaced, it may cause the workpiece to move, during cutting, resulting in possible kickback and serious personal injury.

Carrying tool

Before carrying, make sure to unplug and all movable parts of the miter saw are secured. Always check the following:

- The tool is unplugged.
- The carriage is at 0° bevel angle position and secured.
- The carriage is lowered and locked.
- The carriage is fully slid to the guide fence and locked.
- The turn base is at the full right miter angle position and secured.
- The holders are stored and secured.

Carry the tool by holding both sides of the tool base as shown in the figure.



⚠WARNING: Stopper pin for carriage elevation is for carrying and storage purposes only and not for any cutting operations. The use of the stopper pin for cutting operations may cause unexpected movement of the saw blade resulting in kickback and serious personal injury.

⚠CAUTION: Always secure all moving portions before carrying the tool. If portions of the tool move or slide while being carried, loss of control or balance may occur and result in personal injury.

MAINTENANCE

⚠WARNING: Always be sure that the tool is switched off and unplugged before attempting to perform inspection or maintenance. Failure to unplug and switch off the tool may result in accidental start up of the tool which may result in serious personal injury.

⚠WARNING: Always be sure that the blade is sharp and clean for the best and safest performance. Attempting a cut with a dull and/or dirty blade may cause kickback and result in a serious personal injury.

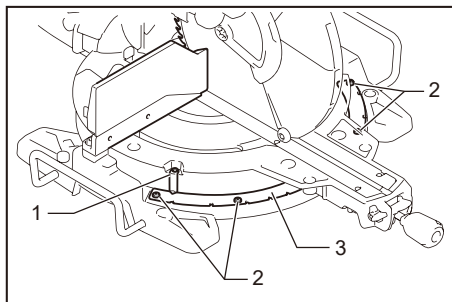
NOTICE: Never use gasoline, benzine, thinner, alcohol or the like. Discoloration, deformation or cracks may result.

Adjusting the cutting angle

This tool is carefully adjusted and aligned at the factory, but rough handling may have affected the alignment. If your tool is not aligned properly, perform the following:

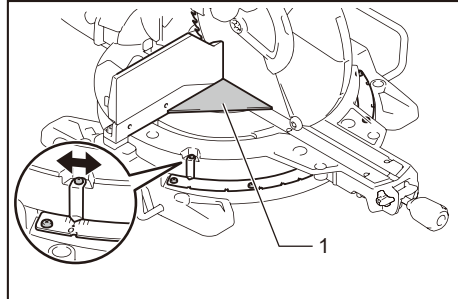
Miter angle

Lower the handle fully and lock it in the lowered position by the stopper pin. Push the carriage toward the guide fence. Loosen the grip and the screws which secure the pointer and miter angle scale.



- ▶ 1. Screw on pointer
- 2. Screws on miter angle scale
- 3. Miter scale

Set the turn base to the 0° position using the positive stop function. Square the side of the blade with the face of the guide fence using a triangular rule or try-square. While keeping the square, tighten the screws on the miter angle scale. After that, align the pointers (both right and left) with the 0° position in the miter angle scale and then tighten the screw on the pointer.

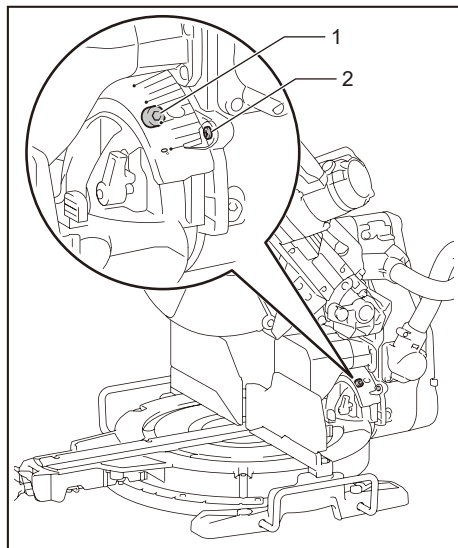


► 1. Triangular rule

Bevel angle

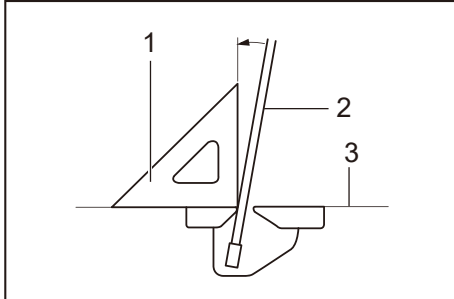
0° bevel angle

Push the carriage toward the guide fence and lock the sliding movement by the stopper pin. Lower the handle fully and lock it in the lowered position by the stopper pin and then loosen the knob. Turn the 0° adjusting bolt two or three revolutions counterclockwise to tilt the blade to the right.



► 1. 0° Adjusting bolt 2. Screw

Carefully square the side of the blade with the top surface of the turn base using the triangular rule, try-square, etc. by turning the 0° adjusting bolt clockwise. Then tighten the knob firmly to secure the 0° angle you have set.



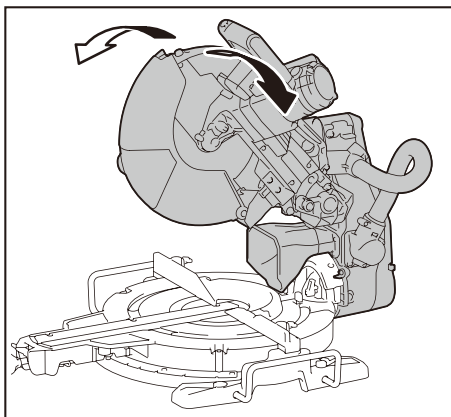
► 1. Triangular rule 2. Saw blade 3. Top surface of turn base

Check if the side of the blade squares with the turn base surface once again. Loosen the screw on the pointer. Align the pointer with 0° position in the bevel angle scale and then tighten the screw.

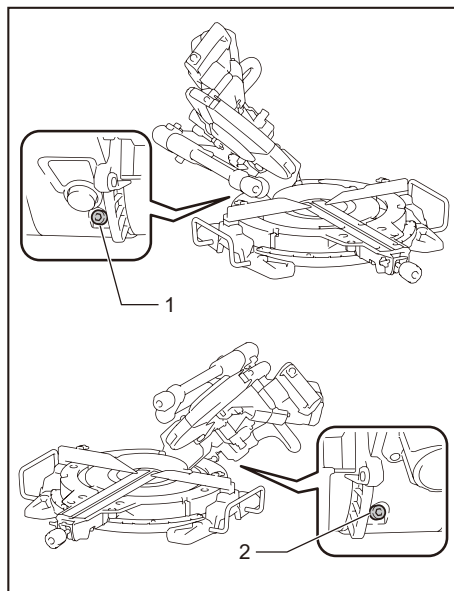
45° bevel angle

NOTICE: Before adjusting the 45° bevel angle, finish 0° bevel angle adjustment.

Loosen the knob and fully tilt the carriage to the side that you want to check. Check if the pointer indicates the 45° position in the bevel angle scale.



If the pointer does not indicate the 45° position, align it with 45° position by turning the adjusting bolt on the opposite side of the bevel angle scale.



► 1. Left 45° adjusting bolt 2. Right 45° adjusting bolt

Adjusting the laser line position

For model LS1219L only

⚠ WARNING: The tool must be plugged in while adjusting the laser line. Take extra care not to switch on the tool during adjustment. Accidental start up of the tool may result in serious personal injury.

⚠ CAUTION: Never look directly into the laser beam. Direct eye exposure to the beam could cause serious damage to your eyes.

NOTICE: Check the position of laser line regularly for accuracy.

NOTICE: Beware that impacts to the tool. It may cause the laser line to be misaligned or may cause damage to the laser, shortening its life.

NOTICE: Have the tool repaired by a Makita authorized service center for any failure on the laser unit.

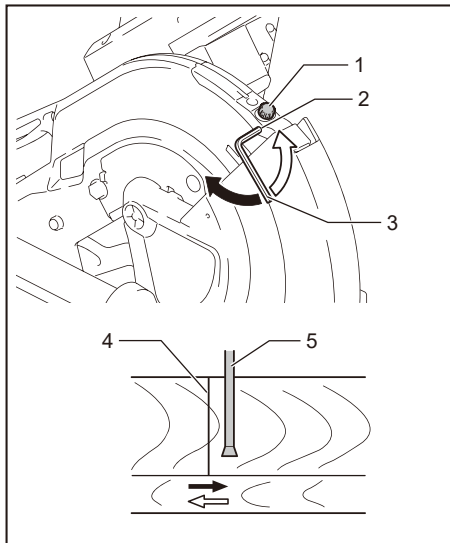
The movable range of laser line is decided by the range adjustment screws on both sides. Perform following procedures to alter the laser line position.

1. Unplug the tool.
2. Draw a cutting line on the workpiece and place it on the turn base. At this time, do not secure the workpiece with a vise or similar securing device.
3. Lower the handle and align the cutting line with the saw blade.
4. Return the handle to the original position and secure the workpiece with the vertical vise so that the workpiece does not move from the position you have determined.

5. Plug in the tool and turn on the laser switch.

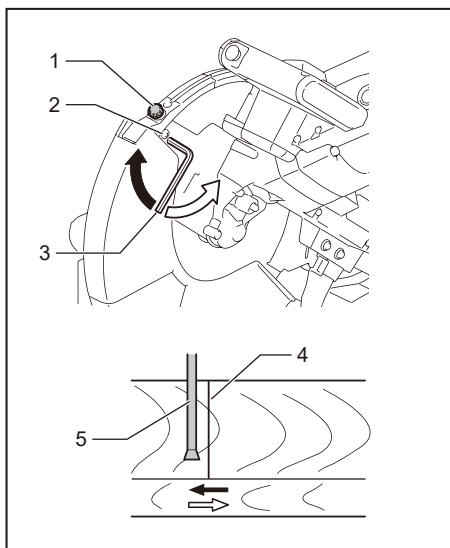
6. Loosen the adjusting screw. To move the laser line away from the blade, turn the range adjustment screws counterclockwise. To move the laser line close to the blade, turn the range adjustment screw clockwise.

Adjusting the laser line on the left side of the blade



► 1. Adjusting screw 2. Range adjustment screw 3. Hex wrench 4. Laser line 5. Saw blade

Adjusting the laser line on the right side of the blade



► 1. Adjusting screw 2. Range adjustment screw 3. Hex wrench 4. Laser line 5. Saw blade

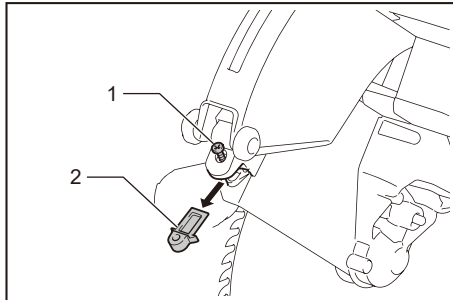
7. Slide the adjusting screw to the position that the laser line comes onto the cutting line and then tighten.

NOTE: The movable range of laser line is factory adjusted within 1 mm (0.04") from the side surface of blade.

Cleaning the laser light lens

For model LS1219L only

The laser light becomes hard to see as the lens for the laser light gets dirty. Clean the lens for laser light periodically.



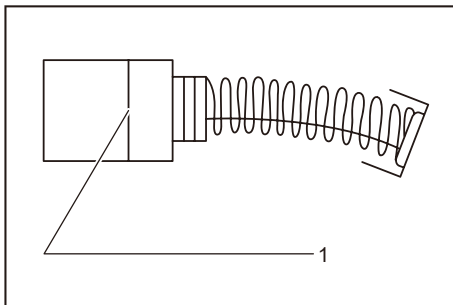
► 1. Screw 2. Lens

Unplug the tool. Loosen the screw and pull out the lens. Clean the lens gently with a damp soft cloth.

NOTICE: Do not remove the screw which secures the lens. If the lens does not come out, loosen the screw further.

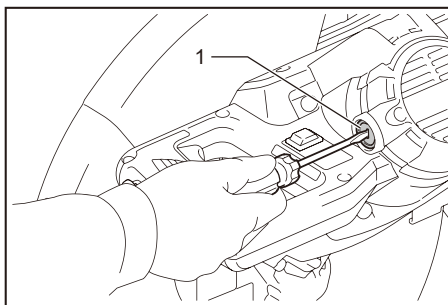
NOTICE: Do not use solvents or any petroleum-based cleaners on the lens.

Replacing carbon brushes



► 1. Limit mark

Remove and check the carbon brushes regularly. Replace when they wear down to the limit mark. Keep the carbon brushes clean and free to slip in the holders. Both carbon brushes should be replaced at the same time. Use only identical carbon brushes. Use a screwdriver to remove the brush holder caps. Take out the worn carbon brushes, insert the new ones and secure the brush holder caps.



► 1. Brush holder cap

After replacing brushes, plug in the tool and break in brushes by running tool with no load for about 10 minutes. Then check the tool while running and electric brake operation when releasing the switch trigger. If the electric brake is not working correctly, have the tool repaired by a Makita service center.

After use

After use, wipe off chips and dust adhering to the tool with a cloth or the like. Keep the blade guard clean according to the directions in the previously covered section titled "Blade guard". Lubricate the sliding portions with machine oil to prevent rust.

To maintain product SAFETY and RELIABILITY, repairs, any other maintenance or adjustment should be performed by Makita Authorized or Factory Service Centers, always using Makita replacement parts.

OPTIONAL ACCESSORIES

⚠ WARNING: These Makita accessories or attachments are recommended for use with your Makita tool specified in this manual. The use of any other accessories or attachments may result in serious personal injury.

⚠ WARNING: Only use the Makita accessory or attachment for its stated purpose. Misuse of an accessory or attachment may result in serious personal injury.

If you need any assistance for more details regarding these accessories, ask your local Makita Service Center.

- Steel & Carbide-tipped saw blades
- Vertical vise
- Horizontal vise
- Crown molding stopper set
- Dust bag
- Triangular rule
- Hex wrench
- Hex wrench (for LS1219L)

NOTE: Some items in the list may be included in the tool package as standard accessories. They may differ from country to country.

MAKITA LIMITED WARRANTY

Please refer to the annexed warranty sheet for the most current warranty terms applicable to this product. If annexed warranty sheet is not available, refer to the warranty details set forth at below website for your respective country.

United States of America: www.makitatools.com

Canada: www.makita.ca

Other countries: www.makita.com

SPÉCIFICATIONS

Modèle :	LS1219	LS1219L
Diamètre de la lame	305 mm (12")	
Diamètre de l'orifice	25,4 mm (1")	
Épaisseur max. de découpe de la lame de scie	3,2 mm (1/8")	
Angle d'onglet max.	60° à droite, 60° à gauche	
Angle de biseau max.	48° à droite, 48° à gauche	
Vitesse à vide (T/MIN)	3 200 /min	
Type de laser	-	Longueur d'onde 655 nm, sortie maximale < 1 mW (Classe de laser II)
Dimensions (L x P x H)	898 mm x 664 mm x 725 mm (35-1/4" x 26-1/8" x 28-1/2")	
Poids net	29,3 kg (64,6 lbs)	29,5 kg (65,0 lbs)

Capacités de coupe (H x P)

Angle de coupe d'onglet			Angle de coupe en biseau		
			45° (gauche)	0°	45° (droite)
0°	-	-	61 mm x 382 mm (2-3/8" x 15") 71 mm x 363 mm (2-13/16" x 14-1/4")	92 mm x 382 mm (3-5/8" x 15") 107 mm x 363 mm (4-1/4" x 14-1/4")	44 mm x 382 mm (1-3/4" x 15") 54 mm x 363 mm (2-1/8" x 14-1/4")
	Épaisseur du parement de bois sur le garde de guidage pour une hauteur de coupe accrue	20 mm (13/16") 38 mm (1-1/2")	78 mm x 325 mm (3-1/16" x 12-3/4") 80 mm x 292 mm (3-1/8" x 11-1/2")	115 mm x 325 mm (4-1/2" x 12-3/4") 120 mm x 292 mm (4-3/4" x 11-1/2")	61 mm x 325 mm (2-3/8" x 12-3/4") -
45° (à droite et à gauche)	-	-	61 mm x 268 mm (2-3/8" x 10-1/2") 71 mm x 255 mm (2-13/16" x 10")	92 mm x 268 mm (3-5/8" x 10-1/2") 107 mm x 255 mm (4-1/4" x 10")	44 mm x 268 mm (1-3/4" x 10-1/2") 54 mm x 255 mm (2-1/8" x 10")
	Épaisseur du parement de bois sur le garde de guidage pour une hauteur de coupe accrue	15 mm (9/16") 25 mm (1")	-	115 mm x 227 mm (4-1/2" x 8-15/16") 120 mm x 212 mm (4-3/4" x 8-3/8")	-
60° (à droite et à gauche)	-	-	-	92 mm x 185 mm (3-5/8" x 7-1/4") 107 mm x 178 mm (4-1/4" x 7")	-
	Épaisseur du parement de bois sur le garde de guidage pour une hauteur de coupe accrue	15 mm (9/16") 25 mm (1")	-	115 mm x 155 mm (4-1/2" x 6-1/8") 120 mm x 140 mm (4-3/4" x 5-1/2")	-

Capacités de coupe pour les coupes spéciales

Type de coupe	Capacité de coupe
Moulure couronnée de type 45° (avec butée de moulure couronnée utilisée)	203 mm (8")
Plinthe (avec étau horizontal utilisé)	171 mm (6-3/4")

- Étant donné l'évolution constante de notre programme de recherche et de développement, les spécifications contenues dans ce manuel sont sujettes à modification sans préavis.
- Les spécifications peuvent varier suivant les pays.
- Poids selon la procédure EPTA 01/2014

CONSIGNES DE SÉCURITÉ

Consignes de sécurité générales pour outils électriques

⚠ MISE EN GARDE : Veuillez lire toutes les mises en garde, instructions, illustrations et spécifications qui accompagnent cet outil électrique. Ne pas suivre toutes les instructions de la liste ci-dessous peut entraîner une décharge électrique, un incendie et/ou une grave blessure.

Conservez toutes les mises en garde et instructions pour référence future.

Le terme « outil électrique » qui figure dans les avertissements fait référence à un outil électrique branché sur une prise de courant (par un cordon d'alimentation) ou alimenté par batterie (sans fil).

Sécurité de la zone de travail

1. **Maintenez la zone de travail propre et bien éclairée.** Les zones de travail encombrées ou sombres ouvrent toute grande la porte aux accidents.
2. **N'utilisez pas les outils électriques dans des atmosphères explosives, telles que celles où sont présents des liquides, gaz ou poussières inflammables.** Les outils électriques génèrent des étincelles qui peuvent allumer les poussières ou les vapeurs.
3. **Gardez les enfants et personnes présentes à l'écart pendant l'utilisation d'un outil électrique.** Toute distraction peut vous faire perdre la maîtrise de l'outil.

Sécurité en matière d'électricité

1. **Les fiches d'outil électrique doivent correspondre à la prise de courant. Ne modifiez jamais la fiche, de quelque façon que ce soit. N'utilisez aucune fiche d'adaptation avec les outils électriques mis à la terre (à la masse).** Les fiches non modifiées et les prises de courant correspondantes réduisent le risque de décharge électrique.
2. **Évitez tout contact avec les surfaces mises à la terre ou à la masse, telles que celles des tuyaux, radiateurs, cuisinières et réfrigérateurs.** Le risque de décharge électrique augmente si votre corps est mis à la terre ou à la masse.
3. **N'exposez pas les outils électriques à la pluie ou à des surfaces mouillées.** La pénétration d'eau dans un outil électrique augmente le risque de décharge électrique.
4. **Ne maltraitez pas le cordon. N'utilisez jamais le cordon pour transporter, tirer sur ou débrancher l'outil électrique. Gardez le cordon à l'écart de la chaleur, de l'huile, des bords tranchants ou des pièces en mouvement.** Les cordons endommagés ou enchevêtrés augmentent le risque de décharge électrique.

5. **Lorsque vous utilisez un outil électrique à l'extérieur, faites-le avec un cordon prolongateur conçu pour l'usage extérieur.** Utiliser un cordon conçu pour l'usage extérieur réduit le risque de décharge électrique.
6. **Si l'utilisation d'un outil électrique dans un emplacement humide est inévitable, utilisez une source d'alimentation protégée par un disjoncteur différentiel de fuite à la terre (DDFT).** Utiliser un DDFT réduit le risque de décharge électrique.
7. **Les outils électriques peuvent produire des champs électromagnétiques (CEM) qui ne sont pas préjudiciables à l'utilisateur.** Les utilisateurs de stimulateur cardiaque ou autres appareils médicaux similaires doivent toutefois demander conseil au fabricant et/ou à leur médecin avant d'utiliser cet outil électrique.
8. **Ne touchez pas la fiche d'alimentation avec les mains mouillées.**
9. **Si le cordon est endommagé, faites-le remplacer par le fabricant ou son représentant, pour éviter les risques d'accident.**

Sécurité personnelle

1. **Restez vigilant, attentif à vos gestes et faites preuve de bon sens pendant l'utilisation d'un outil électrique. N'utilisez pas un outil électrique lorsque vous êtes fatigué ou sous l'influence d'une drogue, de l'alcool ou d'un médicament.** Tout moment d'inattention pendant l'utilisation des outils électriques peut entraîner une grave blessure.
2. **Utilisez l'équipement de protection individuel. Portez toujours un protecteur pour la vue.** Utilisé dans les conditions adéquates, l'équipement de protection - masque antipoussière, chaussures de sécurité antidérapantes, casque de protection ou protecteur auditif - réduit le risque de blessures.
3. **Évitez le démarrage accidentel. Assurez-vous que l'interrupteur est sur la position d'arrêt avant de connecter la source d'alimentation et/ou la batterie, de saisir l'outil ou de le transporter.** Transporter les outils électriques avec le doigt sur l'interrupteur, ou les connecter à une source d'alimentation alors que l'interrupteur est en position de marche ouvre toute grande la porte aux accidents.
4. **Retirez toute clé de serrage ou de réglage avant de mettre l'outil électrique en marche.** Une clé laissée en place sur une pièce rotative de l'outil électrique peut entraîner une blessure.
5. **Ne vous étirez pas trop. Assurez-vous d'une bonne prise au sol et d'une bonne position d'équilibre en tout temps.** Cela procure une meilleure maîtrise de l'outil électrique dans les situations imprévues.
6. **Portez des vêtements adéquats. Ne portez ni vêtements amples ni bijoux. Gardez vos cheveux, vêtements et gants à l'écart des pièces en mouvement.** Les vêtements amples, bijoux ou cheveux longs peuvent être happés par les pièces en mouvement.

7. Si des accessoires sont fournis pour raccorder un appareil d'aspiration et de collecte des poussières, assurez-vous qu'ils sont correctement raccordés et qu'ils sont utilisés de manière adéquate. L'utilisation d'un appareil de collecte des poussières permet de réduire les risques liés à la présence de poussières dans l'air.
8. **Ne vous laissez pas abuser, au point d'être sûr de vous et d'ignorer les principes de sécurité, par un sentiment de familiarité acquis par l'utilisation fréquente des outils électriques.** Un geste irréféchi peut entraîner une grave blessure en une fraction de seconde.
9. **Portez toujours des lunettes à coques de protection pour protéger vos yeux contre les blessures lors de l'utilisation d'outils électriques. Les lunettes à coques doivent être conformes à ANSI Z87.1 aux États-Unis.** L'employeur a la responsabilité d'imposer l'utilisation d'équipements de protection de sécurité adéquats aux utilisateurs des outils électriques et à toute autre personne se trouvant dans la zone de travail immédiate.
7. Utilisez l'outil électrique, ses embouts, etc., en respectant les présentes instructions et en tenant compte des conditions de travail et du type de travail à effectuer. L'utilisation d'un outil électrique pour d'autres usages que ceux prévus peut entraîner une situation dangereuse.
8. **Gardez les poignées et surfaces de saisie sèches, propres et exemptes d'huile et de graisse.** Les poignées et surfaces de saisie glissantes ne permettent pas la manipulation sécuritaire et une bonne maîtrise de l'outil dans les situations imprévues.
9. **Lors de l'utilisation de l'outil, ne portez pas de gants de travail en tissu qui risquent de s'enchevêtrer dans l'outil.** L'enchevêtrement de gants de travail en tissu dans les pièces en mouvement peut entraîner une blessure.

Réparation

1. **Faites réparer votre outil électrique par un réparateur qualifié qui utilise des pièces de rechange identiques aux pièces d'origine.** Le maintien de la sûreté de l'outil électrique sera ainsi assuré.
2. **Suivez les instructions de lubrification et de remplacement des accessoires.**

Instructions additionnelles

Utilisation et entretien des outils électriques

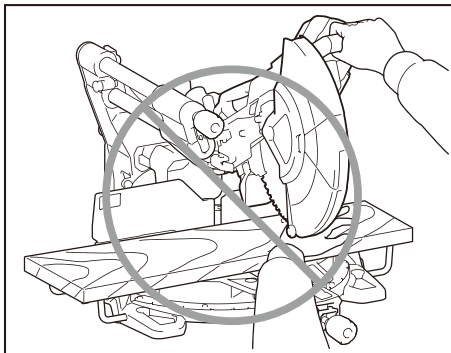
1. **Ne forcez pas l'outil électrique. Utilisez l'outil électrique qui convient à votre application.** Si vous utilisez l'outil électrique adéquat et respectez le régime pour lequel il a été conçu, il effectuera un travail de meilleure qualité et plus sécuritaire.
2. **N'utilisez pas l'outil électrique s'il n'est pas possible de l'allumer et de l'éteindre avec son interrupteur.** Tout outil électrique dont l'interrupteur est défectueux représente un danger et doit être réparé.
3. **Débranchez la fiche de la source d'alimentation et/ou retirez la BATTERIE de l'outil électrique, si elle est amovible, avant d'effectuer tout réglage, de remplacer les accessoires ou de ranger les outils électriques.** De telles mesures de sécurité préventives réduisent le risque de démarrage accidentel de l'outil électrique.
4. **Mettez les outils électriques sous tension hors de la portée des enfants et ne laissez aucune personne les utiliser si elle n'est pas familiarisée avec l'outil électrique ou avec les présentes instructions d'utilisation.** Les outils électriques représentent un danger entre les mains de personnes qui n'en connaissent pas le mode d'utilisation.
5. **Veillez à l'entretien des outils électriques et des accessoires.** Assurez-vous que les pièces mobiles ne sont pas désalignées ou coincées, qu'aucune pièce n'est cassée et que l'outil électrique n'a subi aucun dommage affectant son bon fonctionnement. Si un outil électrique est endommagé, faites-le réparer avant de l'utiliser. De nombreux accidents sont causés par des outils électriques mal entretenus.
6. **Maintenez les outils tranchants bien aiguisés et propres.** Les outils tranchants dont l'entretien est effectué correctement et dont les bords sont bien aiguisés risquent moins de se coincer et sont plus faciles à maîtriser.

1. **Pour réduire le risque de décharge électrique, cet équipement est doté d'une fiche polarisée (une des lames est plus large que l'autre).** Cette fiche ne s'insère que dans un seul sens dans une prise de courant polarisée. Si la fiche ne pénètre pas à fond dans la prise de courant, insérez-la dans l'autre sens. Si elle ne s'insère toujours pas à fond, contactez un électricien qualifié pour faire installer une prise de courant adéquate. Ne modifiez la fiche d'aucune façon.
2. **MISE EN GARDE SUR LA TENSION :** Avant de brancher l'outil sur une source d'alimentation (prise murale, prise de courant, etc.), assurez-vous que la tension fournie est la même que celle spécifiée sur la plaque signalétique de l'outil. Une source d'alimentation dont la tension est supérieure à celle spécifiée pour l'outil peut entraîner une GRAVE BLESSURE pour l'utilisateur, ainsi qu'endommager l'outil. En cas de doute, **NE BRANCHEZ PAS L'OUTIL.** L'utilisation d'une source d'alimentation dont la tension est inférieure à celle indiquée sur la plaque signalétique endommagera le moteur.
3. **UTILISEZ UN CORDON PROLONGATEUR ADÉQUAT.** Assurez-vous que votre cordon prolongateur est en bon état. Lorsque vous utilisez un cordon prolongateur, assurez-vous qu'il est assez robuste pour transporter le courant que votre produit consommera. Un cordon trop petit, en causant une baisse de tension de la ligne, entraînera une perte de puissance et une surchauffe. Le Tableau 1 indique la taille adéquate à utiliser, suivant la longueur du cordon et l'ampérage nominal indiqué sur la plaque signalétique. En cas de doute, utilisez un calibre plus robuste. Plus le numéro de calibre est bas, plus le cordon est robuste.

Intensité nominale		Volts	Longueur totale du cordon en pieds			
		120 V	25 ft.	50 ft.	100 ft.	150 ft.
Plus de	Pas plus de	Calibre américain des fils				
0	6	-	18	16	16	14
6	10		18	16	14	12
10	12		16	16	14	12
12	16		14	12	Non recommandé	

Consignes de sécurité pour scies à coupe d'onglet

- Les scies à coupe d'onglet sont conçues pour couper le bois ou les produits dérivés du bois. Elles ne peuvent pas être utilisées avec les meules tronçonneuses abrasives pour couper les matériaux ferreux comme les barres, tiges, goujons, etc.** La poussière abrasive bloque les pièces mobiles telles que le protecteur inférieur. Les étincelles provoquées par la coupe abrasive brûleront le protecteur inférieur, la fente de découpe et autres pièces en plastique.
- Utilisez des dispositifs de serrage pour soutenir la pièce à travailler chaque fois que cela est possible. Si vous soutenez la pièce d'une main, vous devez toujours la garder à au moins 100 mm d'un côté comme de l'autre de la lame de scie. N'utilisez pas cette scie pour couper des pièces trop petites pour être fermement fixées ou tenues dans la main.** Si votre main se trouve trop près de la lame de scie, il y aura un risque accru de blessure au contact de la lame.
- La pièce à travailler doit être immobile et fixée ou retenue contre le garde et la table. Ne faites pas avancer la pièce à travailler vers la lame, et n'effectuez d'aucune façon la coupe « à main levée ».** Les pièces non retenues ou qui bougent peuvent être éjectées à grande vitesse et causer une blessure.
- Poussez la scie vers la pièce à travailler. Ne tirez pas la scie à travers la pièce à travailler. Pour faire une coupe, soulevez la tête de scie et maintenez-la au-dessus de la pièce à travailler, sans couper, démarrez le moteur, abaissez la tête de scie et poussez la scie à travers la pièce à travailler.** Si vous coupez en tirant vers vous, il est fort probable que la lame de scie remonte sur la pièce et que l'ensemble de lame soit violemment éjecté vers vous.
- Ne mettez jamais la main à travers la ligne de coupe prévue, aussi bien devant que derrière la lame de scie.** Il est très dangereux de tenir la pièce à travailler en « croisant les mains », c'est-à-dire en tenant la pièce du côté droit de la lame de scie avec la main gauche, ou vice-versa.
- Pendant que la lame tourne, ne tendez pas la main derrière le garde à moins de 100 mm d'un côté ou de l'autre de la lame de scie pour enlever des copeaux de bois ou pour toute autre raison.** La lame de scie en rotation peut être plus près qu'elle ne semble de votre main et vous risquez de vous blesser grièvement.
- Inspectez votre pièce à travailler avant de la couper. Si la pièce à travailler est courbée ou gauchie, serrez-la en plaçant la face extérieure de la courbe du côté du garde. Assurez-vous toujours qu'il n'y a pas de jeu entre la pièce à travailler, le garde et la table le long de la ligne de coupe.** En se tordant ou en se déplaçant, les pièces à travailler pliées ou courbées peuvent emprisonner la lame de scie en rotation pendant la coupe. Il ne doit pas y avoir de clous ou de corps étrangers dans la pièce à travailler.
- N'utilisez la scie qu'après avoir tout enlevé sur la table - outils, copeaux de bois, etc. -, à l'exception de la pièce à travailler.** Au contact de la lame en rotation, les petits débris, morceaux de bois détachés ou autres objets peuvent être éjectés à grande vitesse.
- Ne coupez qu'une seule pièce à la fois.** Empilées, les pièces ne peuvent être adéquatement serrées ou renforcées, et elles peuvent emprisonner la lame ou se déplacer pendant la coupe.
- Avant d'utiliser la scie à coupe d'onglet, assurez-vous qu'elle est montée ou placée sur une surface de travail plane et ferme.** Une surface de travail plane et ferme réduit le risque que la scie à coupe d'onglet devienne instable.



11. **Planifiez votre travail.** Chaque fois que vous modifiez le réglage d'angle de biseau ou d'onglet, assurez-vous que le garde ajustable est bien placé pour soutenir la pièce à travailler et qu'il ne gênera pas ni lame ni le dispositif de protection. Sans allumer l'outil et sans pièce à travailler sur la table, simulez une coupe complète en déplaçant la lame de scie pour vous assurer que rien ne gênera la coupe et qu'il n'y a aucun risque de couper le garde.
12. **Si la pièce à travailler est plus large ou plus longue que le dessus de la table, soutenez-la adéquatement avec une rallonge de table, des chevalets de sciage, etc.** Les pièces plus longues ou plus larges que la table de scie à coupe d'onglet peuvent basculer si elles ne sont pas fermement soutenues. En basculant, la partie découpée de la pièce ou la pièce elle-même peut soulever le protecteur inférieur ou être éjectée par la lame en rotation.
13. **Ne demandez pas à une autre personne de remplir le rôle de la rallonge de table ou de fournir un soutien supplémentaire.** Avec un soutien instable, la pièce à travailler peut emprisonner la lame ou se déplacer pendant la coupe, et entraîner du même coup votre assistant ou vous-même vers la lame en rotation.
14. **La partie découpée de la pièce ne doit être d'aucune façon coincée ou pressée contre la lame de scie en rotation.** Si elle est retenue, par exemple à l'aide de butées longitudinales, la partie découpée de la pièce risque d'être coincée contre la lame et éjectée violemment.
15. **Utilisez toujours un dispositif de serrage ou une fixation conçu pour soutenir les tiges, tuyaux et autres objets ronds.** Les tiges ont tendance à rouler pendant la coupe, ce qui fait « mordre » la lame et attire la pièce, avec votre main, vers la lame.
16. **Laissez la lame atteindre sa pleine vitesse avant de la mettre en contact avec la pièce à travailler.** Cela réduira le risque d'éjection de la pièce à travailler.
17. **Si la pièce à travailler ou la lame se coince, éteignez la scie à coupe d'onglet. Attendez l'arrêt de toutes les pièces en mouvement et débranchez la fiche de la source d'alimentation et/ou retirez la batterie. Retirez ensuite le matériel coincé.** Continuer de scier avec une pièce à travailler coincée peut causer une perte de maîtrise de la scie à coupe d'onglet ou l'endommager.
18. **Une fois la coupe terminée, relâchez l'interrupteur, maintenez la tête de la scie basse et attendez l'arrêt complet de la lame avant de retirer la partie découpée de la pièce.** Il est dangereux de tendre la main près de lame qui tourne.
19. **Tenez la poignée fermement lorsque vous interrompez une coupe avant la fin ou lorsque vous libérez l'interrupteur avant que la tête de scie ne soit complètement en position basse.** En attirant soudainement la tête de scie vers le bas, le freinage de la scie peut entraîner un risque de blessure.
20. **N'utilisez pas la lame de scie dont le diamètre correspond aux indications données sur l'outil ou dans le manuel.** L'utilisation d'une lame d'une taille incorrecte peut affecter la protection de la lame ou le fonctionnement du protecteur, ce qui comporte un risque de grave blessure.
21. **Utilisez uniquement les lames de scie dont la vitesse indiquée est égale ou supérieure à la vitesse indiquée sur l'outil.**
22. **Choisissez toujours la lame de scie qui convient au matériau à couper. N'utilisez pas la lame de scie pour couper des matériaux autres que ceux spécifiés.**
23. **La scie peut couper le bois, l'aluminium ou des matériaux similaires lorsqu'une lame de scie adaptée au matériau est utilisée. N'utilisez pas la scie pour couper d'autres matériaux, y compris le magnésium, l'acier et le fer.**

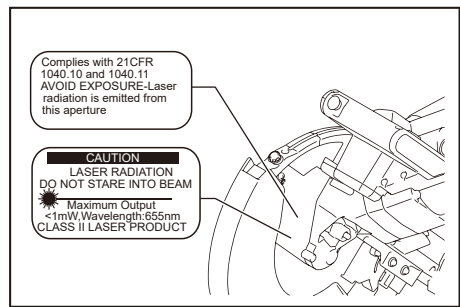
Instructions additionnelles

1. **Faites en sorte que l'atelier soit sans danger pour les enfants en y posant des cadenas.**
2. **Ne vous appuyez jamais sur l'outil.** Vous courez un risque de blessure grave si l'outil bascule ou si vous touchez accidentellement l'outil tranchant.
3. **Ne laissez jamais sans surveillance un outil en marche. Coupez le contact. Attendez que l'outil se soit complètement arrêté avant de le quitter.**
4. **N'utilisez jamais la scie sans les protecteurs en place. Assurez-vous avant chaque utilisation que le protège-lame se referme bien. N'utilisez pas la scie si le protège-lame ne se déplace pas librement et ne se referme pas instantanément. Ne fixez ou n'attachez jamais le protège-lame en position ouverte.**
5. **Maintenez les mains hors de la ligne de coupe de la lame de scie. Évitez tout contact avec la lame lorsqu'elle continue de tourner après la mise hors tension de l'outil. Elle peut alors quand même causer de graves blessures.**
6. **Pour réduire les risques de blessure, ramenez le chariot complètement vers l'arrière après chaque opération de coupe en travers.**
7. **Fixez toujours les composants mobiles de l'outil avant de le transporter.**
8. **La broche de blocage qui verrouille en position basse la tête de coupe est conçue exclusivement pour le transport et le rangement de l'outil, et ne doit être utilisée pour aucun travail de coupe.**
9. **Avant l'utilisation, vérifiez toujours soigneusement l'absence de fissures ou de dommages sur la lame. Veuillez remplacer immédiatement toute lame fissurée ou endommagée. La présence de résine et de goudron sur la lame ralentit la scie et entraîne une augmentation des risques de rebond. Pour nettoyer la lame, retirez-la d'abord de l'outil, puis utilisez un décapant, de l'eau chaude ou du kérosène pour retirer la résine et le goudron. N'utilisez jamais d'essence pour nettoyer la lame.**

10. Lors de la réalisation d'une coupe en glissement, un risque de REBOND est possible. Le REBOND se produit lorsque la lame se coince dans la pièce pendant la coupe et projette rapidement la lame de scie vers l'opérateur. La perte de contrôle et une grave blessure peuvent en résulter. Si la lame commence à se coincer pendant la coupe, ne continuez pas à couper et relâchez tout de suite l'interrupteur.
11. Utilisez exclusivement les flasques spécifiés pour cet outil.
12. Prenez garde d'endommager l'alésage, les flasques (tout particulièrement leur surface d'installation) ou le boulon. L'endommagement de ces pièces peut causer une cassure de la lame.
13. Assurez-vous que le socle rotatif est bien immobilisé, de sorte qu'il ne bouge pas pendant l'opération. Fixez la scie à une surface de travail ou à un établi stable au moyen des trous du socle. N'utilisez JAMAIS l'outil si vous vous trouvez dans une position qui n'assure pas une pleine liberté de mouvement.
14. Assurez-vous que le blocage de l'arbre est libéré avant de mettre l'outil sous tension.
15. Assurez-vous que la lame n'entre pas en contact avec le socle rotatif lorsqu'elle se trouve sur sa position la plus basse.
16. Tenez la poignée fermement. N'oubliez pas que la scie se déplace légèrement vers le haut ou le bas au démarrage et à l'arrêt.
17. Assurez-vous que la lame n'entre pas en contact avec la pièce avant de mettre l'outil sous tension.
18. Avant d'utiliser l'outil sur la pièce, laissez-le tourner à vide un instant. Soyez attentif à toute vibration ou tout sautillerment pouvant indiquer que la lame n'est pas bien installée ou est mal équilibrée.
19. Arrêtez immédiatement votre outil dès que vous observez quelque chose d'anormal.
20. N'essayez pas de verrouiller la gâchette en position de marche.
21. Utilisez toujours les accessoires recommandés dans le présent manuel. L'utilisation d'accessoires inadéquats, tels que les meules abrasives par exemple, peut entraîner une blessure.
22. Certains matériaux contiennent des produits chimiques qui peuvent être toxiques. Prenez les précautions nécessaires pour éviter l'inhalation des poussières ou leur contact avec la peau. Conformez-vous aux consignes de sécurité du fournisseur du matériau.

Règles de sécurité supplémentaires pour le laser

1. RAYONNEMENT LASER, NE PAS REGARDER DANS LE FAISCEAU.
2. ÉVITER L'EXPOSITION - UN RAYONNEMENT LASER EST ÉMIS PAR L'OUVERTURE.
3. LES COMMANDES, RÉGLAGES ET PROCÉDURES AUTRES QUE CEUX SPÉCIFIÉS DANS LE PRÉSENT MANUEL D'INSTRUCTIONS PEUVENT EXPOSER À UN RAYONNEMENT DANGEREUX.

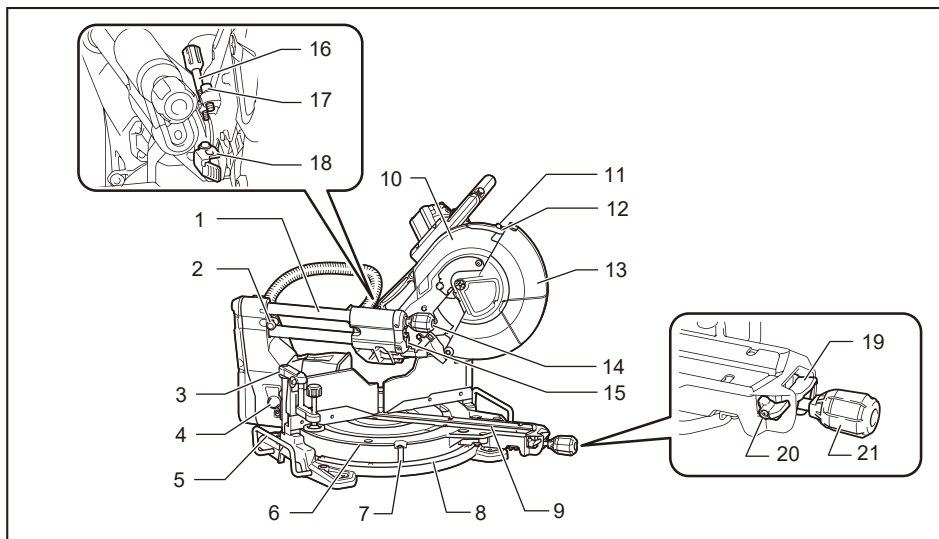


Symboles

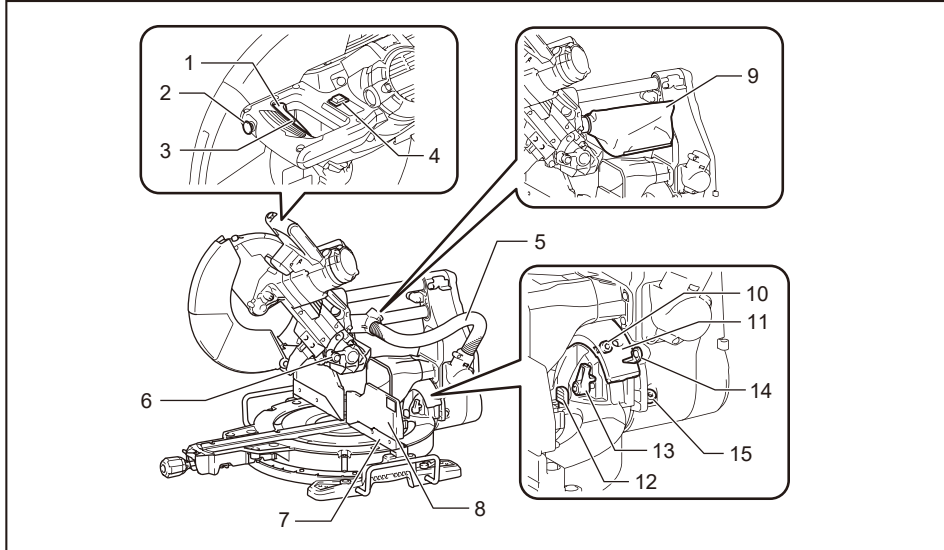
Les symboles utilisés pour l'outil sont indiqués ci-dessous.

V	volts
A	ampères
Hz	hertz
n_0	vitesse à vide
~	courant alternatif
	construction, catégorie II
... /min r /min	tours ou alternances par minute
	Ne mettez pas la main ou les doigts près de la lame.

DESCRIPTION DES PIÈCES



1	Tige de glissement	2	Broche de blocage (pour le glissement du chariot)	3	Étau vertical	4	Bouton de libération (pour angle de coupe en biseau du côté droit)
5	Support	6	Socle rotatif	7	Pointeur (pour angle de coupe d'onglet)	8	Échelle d'angle de coupe d'onglet
9	Plateau de découpe	10	Porte-lame	11	Vis de réglage (pour raie laser)	12	Vis de réglage de la plage (pour raie laser)
13	Protège-lame	14	Bouton (pour angle de coupe en biseau)	15	Clé hexagonale	16	Vis de réglage (pour la position limite inférieure)
17	Boulon de réglage (pour capacité de coupe maximale)	18	Bras de blocage	19	Levier de verrouillage (pour socle rotatif)	20	Levier de libération (pour socle rotatif)
21	Manche (pour socle rotatif)	-	-	-	-	-	-

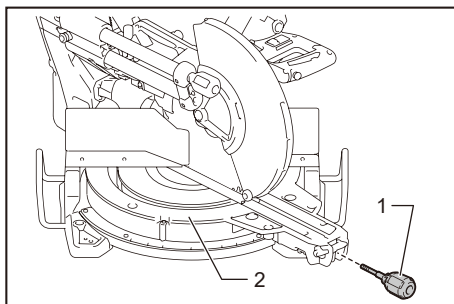


1	Gâchette	2	Bouton de sécurité	3	Trou pour cadenas	4	Interrupteur (pour raie laser)
5	Tuyau (pour l'aspiration des poussières)	6	Broche de blocage (pour l'élévation du chariot)	7	Garde de guidage (garde inférieur)	8	Garde de guidage (garde supérieur)
9	Sac à poussières	10	Boulon de réglage 0° (pour angle de coupe en biseau)	11	Échelle d'angle de coupe en biseau	12	Levier de libération (pour angle de coupe en biseau 48°)
13	Levier de fermeture (pour angle de coupe en biseau)	14	Pointeur (pour angle de coupe en biseau)	15	Boulon de réglage 45° (pour angle de coupe en biseau)	-	-

POSE

Pose du manche

Vissez l'arbre fileté du manche dans le socle rotatif.

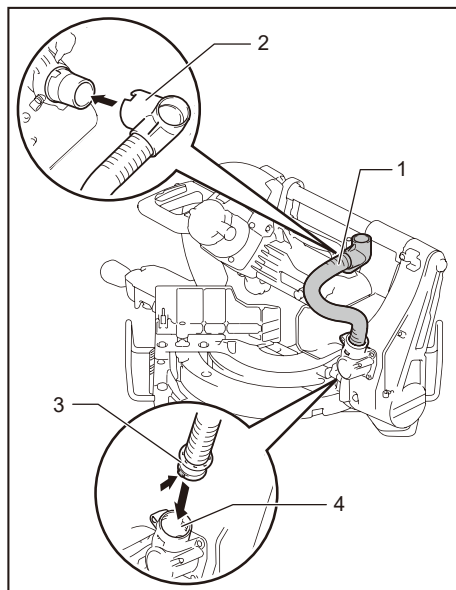


► 1. Manche 2. Socle rotatif

Pose du tuyau d'aspiration des poussières

Raccordez le tuyau d'aspiration des poussières à l'outil tel qu'illustré.

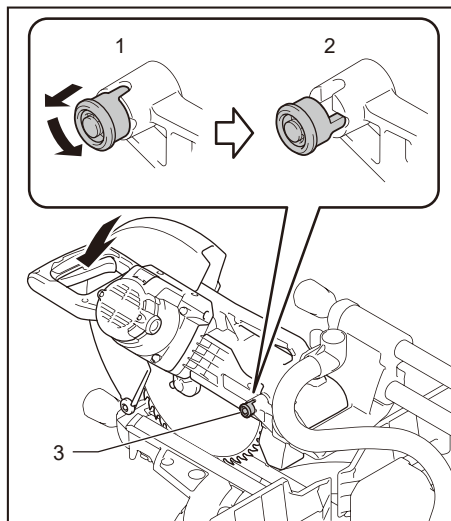
Assurez-vous que le coude et le manchon s'adaptent parfaitement aux ports de l'outil.



- 1. Tuyau d'aspiration des poussières 2. Coude
3. Manchon 4. Port

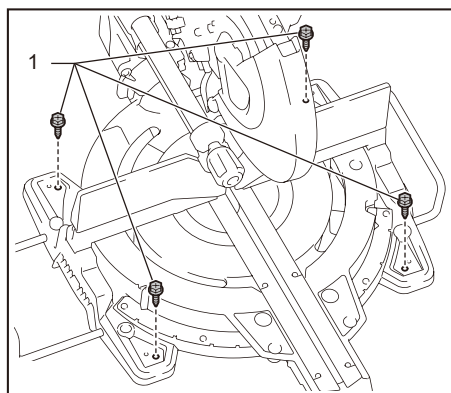
Montage du banc

À la sortie d'usine de l'outil, la poignée est verrouillée en position abaissée par la broche de blocage. Tout en abaissant légèrement la poignée, tirez sur la broche de blocage et tournez-la de 90°.



- 1. Position verrouillée 2. Position déverrouillée
3. Broche de blocage

Cet outil doit être boulonné par quatre boulons à une surface plane et stable, à l'aide des trous de boulons prévus à cet effet sur le socle de l'outil. Cela contribuera à prévenir les risques de basculement et de blessure.



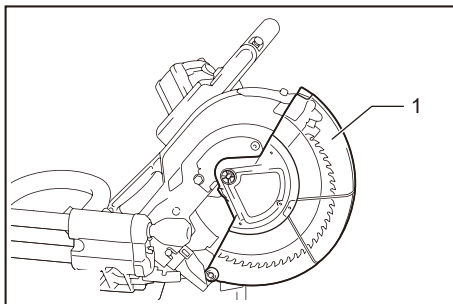
- 1. Boulon

⚠ MISE EN GARDE : Assurez-vous que l'outil ne se déplacera pas sur la surface de soutien. Les mouvements de la scie d'onglet sur la surface de soutien au cours de la coupe risquent de provoquer une perte de contrôle et une blessure grave.

DESCRIPTION DU FONCTIONNEMENT

⚠ MISE EN GARDE : Afin de régler ou de vérifier le fonctionnement de l'outil, assurez-vous toujours qu'il est éteint et débranché. Si vous n'éteignez pas et ne débranchez pas l'outil, un démarrage accidentel peut entraîner une grave blessure.

Protège-lame



► 1. Protège-lame

Lorsque vous abaissez la poignée, le protège-lame s'élève automatiquement. Le protège-lame est maintenu par un ressort et revient donc à sa position d'origine lorsque la coupe est terminée et que vous relevez la poignée.

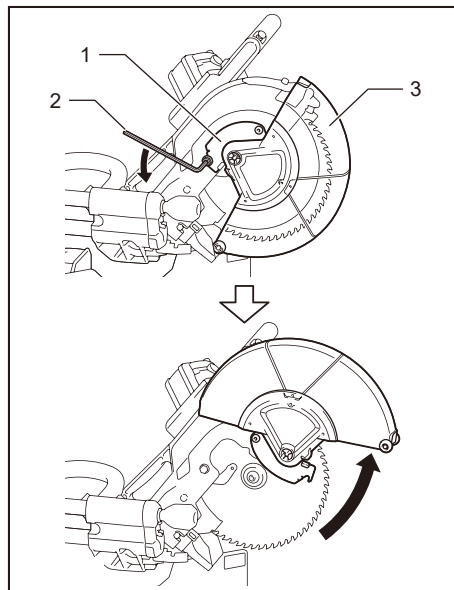
⚠ MISE EN GARDE : Ne neutralisez et ne retirez jamais le protège-lame ni le ressort qui y est fixé. Une lame exposée en conséquence d'une protection neutralisée comporte un risque de blessure grave pendant l'opération.

Pour votre propre sécurité, gardez toujours le protège-lame en bon état. Tout fonctionnement anormal du protège-lame doit être immédiatement corrigé. Assurez-vous que l'action de retour du protège-lame par son ressort s'effectue correctement.

⚠ MISE EN GARDE : N'utilisez jamais l'outil si le protège-lame ou le ressort est endommagé, fonctionne mal ou a été retiré. L'utilisation de l'outil avec un protège-lame endommagé, défectueux ou retiré peut entraîner une grave blessure.

Si le protège-lame transparent se salit, ou si de la poussière s'y colle et que la lame et/ou la pièce à travailler n'est plus facilement visible, débranchez la scie et nettoyez soigneusement le protège-lame avec un linge humide. N'utilisez aucun solvant ou nettoyant à base de pétrole pour nettoyer le protège-lame de plastique, car cela pourrait l'endommager.

Si le protège-lame est très sale et que cela empêche de voir à travers, débranchez l'outil et utilisez la clé fournie pour desserrer le boulon hexagonal qui retient le couvercle central. Desserrez le boulon hexagonal en le tournant dans le sens contraire des aiguilles d'une montre, puis soulevez le protège-lame et le couvercle central. Avec le protège-lame dans cette position, le nettoyage peut être effectué de manière plus complète et efficace. Une fois le nettoyage terminé, faites la procédure ci-dessus en sens inverse et fixez le boulon. Ne retirez pas le ressort qui retient le protège-lame. Si le protège-lame se décolore avec le temps ou sous l'exposition aux rayons ultraviolets, contactez un centre de service après-vente Makita pour vous procurer un nouveau protège-lame. **NE NEUTRALISEZ PAS ET NE RETIREZ PAS LE PROTÈGE-LAME.**



► 1. Couvercle central 2. Clé hexagonale
3. Protège-lame

Plateaux de découpe

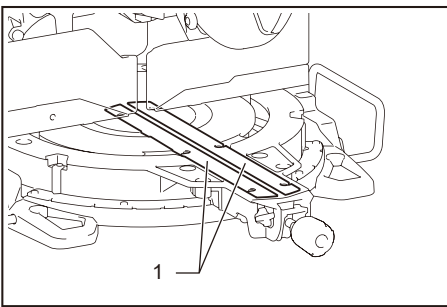
Le socle rotatif de cet outil est équipé de plateaux de découpe pour réduire la déchirure du côté extérieur de la coupe. Les plateaux de découpe sont réglés en usine de sorte qu'ils n'entrent pas en contact avec la lame de scie. Avant l'utilisation, ajustez les plateaux de découpe comme suit :

Maintien de la capacité de coupe maximale

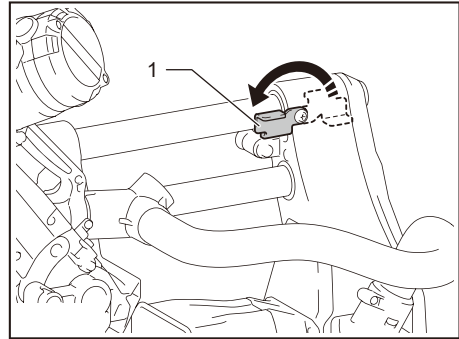
Cet outil est réglé en usine pour fournir une capacité de coupe maximale avec une lame de scie de 305 mm (12").

Lorsque vous installez une nouvelle lame, vérifiez toujours la position limite inférieure de la lame et, au besoin, réglez-la comme suit :

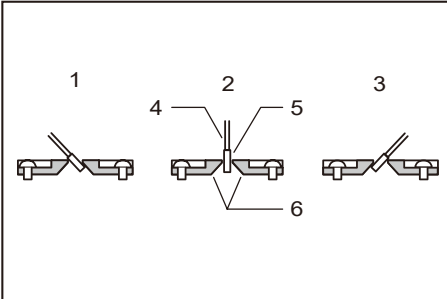
Débranchez d'abord l'outil. Tournez le levier de blocage en position engagée.



► 1. Plateau de découpe



► 1. Levier de blocage



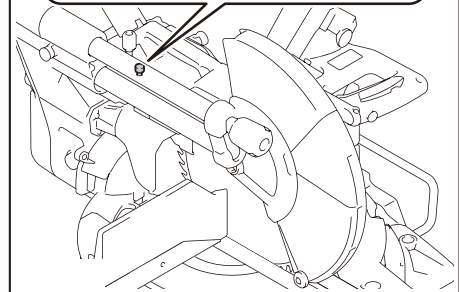
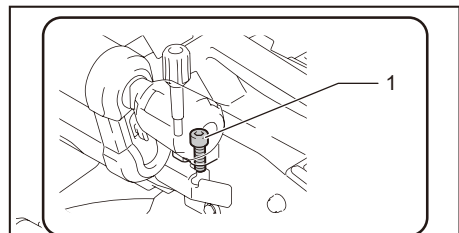
► 1. Coupe en biseau gauche 2. Coupe rectiligne 3. Coupe en biseau à droite 4. Lame de scie 5. Dents de la lame 6. Plateau de découpe

Débranchez d'abord l'outil. Desserrez toutes les vis (2 de chaque côté) qui retiennent les plateaux de découpe, jusqu'à ce que ces derniers puissent encore être facilement déplacés avec la main. Abaissez complètement la poignée, puis tirez et tournez la broche de blocage pour verrouiller la poignée en position abaissée. Libérez la broche de blocage sur la tige de glissement, et tirez complètement le chariot vers vous. Réglez les plateaux de découpe de sorte qu'ils n'entrent en contact qu'avec les côtés des dents de la lame. Serrez les vis avant (ne les serrez pas fermement). Poussez complètement le chariot vers le garde de guidage et réglez les plateaux de découpe de sorte qu'ils n'entrent en contact qu'avec les côtés des dents de la lame. Serrez les vis arrière (ne les serrez pas fermement).

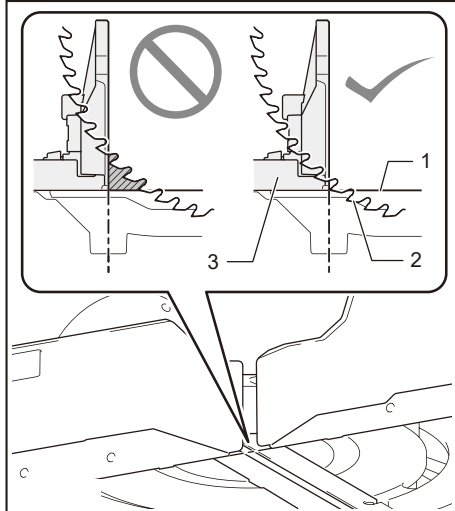
Après le réglage des plateaux de découpe, relâchez la broche de blocage et soulevez la poignée. Serrez ensuite toutes les vis fermement.

AVIS : Après le réglage de l'angle de coupe en biseau, assurez-vous que les plateaux de découpe sont bien réglés. Le réglage adéquat des plateaux de découpe aidera à apporter un bon soutien à la pièce à travailler et à réduire sa détérioration.

Poussez complètement le chariot vers le garde de guidage et abaissez totalement la poignée. Ajustez la position de la lame en tournant le boulon de réglage avec la clé hexagonale. La périphérie de la lame doit dépasser légèrement sous la face supérieure du socle rotatif et atteindre le point où la face avant du garde de guidage rencontre la face supérieure du socle rotatif.



► 1. Boulon de réglage



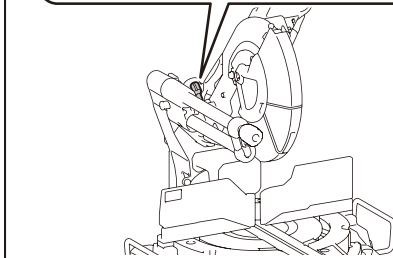
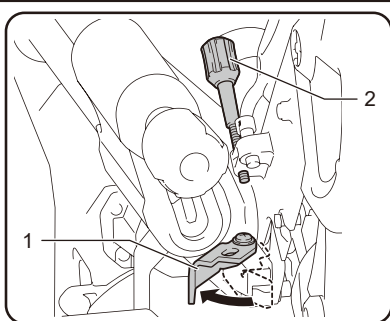
- 1. Face supérieure du socle rotatif 2. Bord de la lame 3. Garde de guidage

Avec l'outil débranché, tournez la lame manuellement tout en maintenant la poignée complètement abaissée, pour être sûr que la lame n'entre en contact avec aucune partie du socle inférieur. Au besoin, effectuez un léger réajustement. Après le réglage, remettez toujours le levier de blocage sur sa position d'origine.

⚠ MISE EN GARDE : Après l'installation d'une nouvelle lame et avec l'outil débranché, assurez-vous toujours que la lame n'entre pas en contact avec le socle inférieur lorsque la poignée est complètement abaissée. Si la lame touche le socle, elle risque de provoquer un rebond et d'entraîner une grave blessure.

Bras de blocage

Le bras de blocage permet un réglage facile de la position limite inférieure de la lame. Pour l'ajuster, tournez le bras de blocage dans le sens de la flèche tel qu'indiqué sur l'illustration. Tournez la vis de réglage de sorte que la lame s'arrête à la position désirée lorsque vous abaissez complètement la poignée.

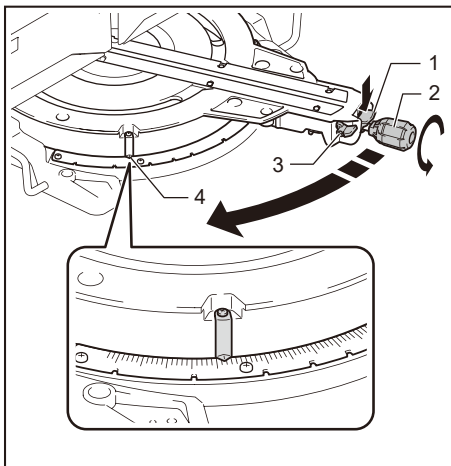


- 1. Bras de blocage 2. Vis de réglage

Réglage de l'angle de coupe d'onglet

⚠ ATTENTION : Après avoir modifié l'angle de coupe d'onglet, fixez toujours le socle rotatif en serrant fermement le manche.

AVIS : Assurez-vous de soulever complètement la poignée lorsque vous faites tourner le socle rotatif.



- 1. Levier de verrouillage 2. Manche 3. Levier de libération 4. Pointeur

Tournez le manche dans le sens contraire des aiguilles d'une montre pour déverrouiller le socle rotatif. Tournez le manche tout en maintenant le levier de verrouillage abaissé pour déplacer le socle rotatif. Alignez le pointeur sur l'angle désiré sur l'échelle, puis serrez le manche.

NOTE : En enfonçant le levier de libération, vous pouvez déplacer le socle rotatif sans maintenir le levier de verrouillage abaissé. Serrez le manche sur la position désirée.

Cette scie à coupe d'onglet est dotée d'une fonction d'arrêt fixe. Vous pouvez régler rapidement l'angle de coupe d'onglet droit/gauche sur 0°, 15°, 22,5°, 31,6°, 45° ou 60°. Pour utiliser cette fonction, déplacez le socle rotatif près de l'angle d'arrêt fixe désiré tout en maintenant le levier de verrouillage abaissé. Libérez ensuite le levier de verrouillage et déplacez le socle rotatif vers l'avant jusqu'à ce qu'il soit verrouillé.

Réglage de l'angle de coupe en biseau

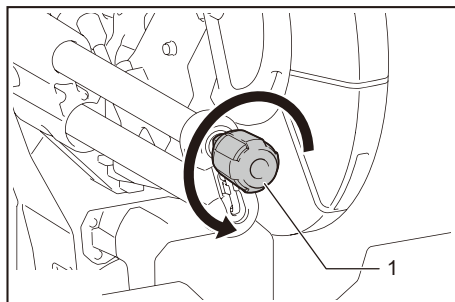
AVIS : Retirez toujours les gardes de guidage supérieurs et l'étau vertical avant d'ajuster l'angle de coupe en biseau.

AVIS : Lorsque vous modifiez l'angle de coupe en biseau, assurez-vous toujours de bien placer les plateaux de découpe, tel que décrit dans la section « Plateaux de découpe ».

AVIS : Lorsque vous inclinez la lame de scie, veillez à soulever complètement la poignée.

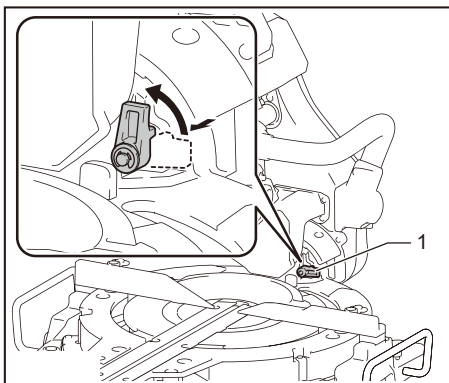
AVIS : Ne serrez pas le bouton trop fort. Cela peut entraîner un dysfonctionnement du mécanisme de verrouillage de l'angle de coupe en biseau.

1. Tournez le bouton de la tige de glissement dans le sens contraire des aiguilles d'une montre.



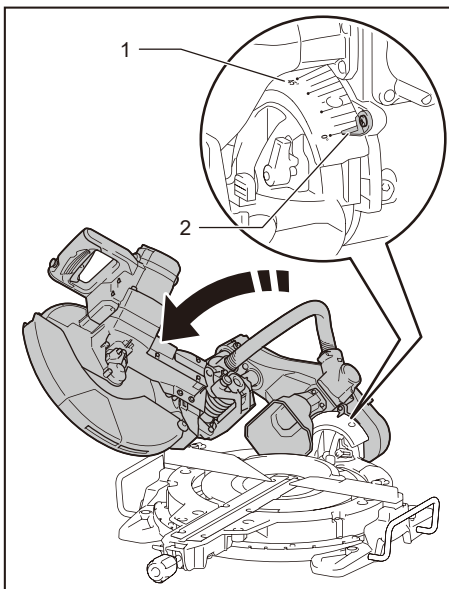
► 1. Bouton

2. Tirez et tournez le levier de fermeture sur la position illustrée.



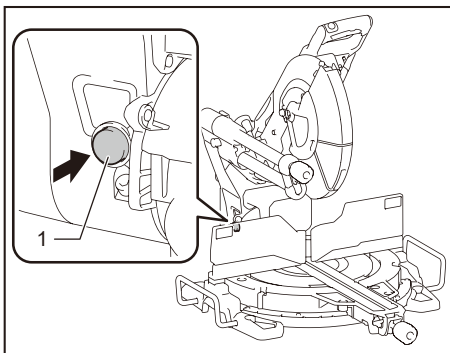
► 1. Levier de fermeture

3. Placez le pointeur sur l'angle désiré sur l'échelle en déplaçant le chariot, puis serrez le bouton.



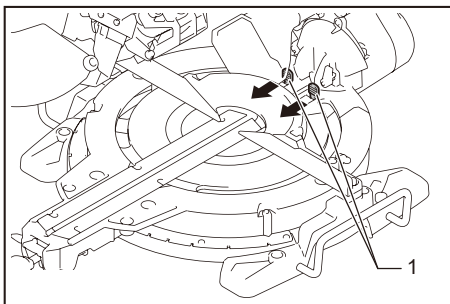
► 1. Échelle d'angle de coupe en biseau 2. Pointeur

Pour incliner le chariot sur la droite, inclinez-le d'abord légèrement sur la gauche, puis sur la droite tout en enfonçant le bouton de libération.



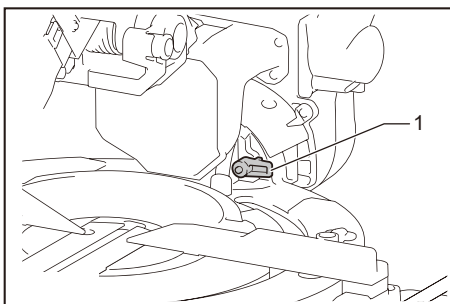
► 1. Bouton de libération

Si vous effectuez une coupe en biseau supérieure à 45°, déplacez le chariot tout en glissant le levier de libération vers l'avant de l'outil. Vous pouvez effectuer la coupe en biseau jusqu'à 48°.



► 1. Levier de libération

Cette scie à coupe d'onglet est dotée d'une fonction d'arrêt fixe. Vous pouvez la régler rapidement sur des angles de 22,5° et 33,9° à droite comme à gauche. Mettez le levier de fermeture sur la position illustrée et inclinez le chariot. Pour modifier l'angle, tirez le levier de fermeture et inclinez le chariot.

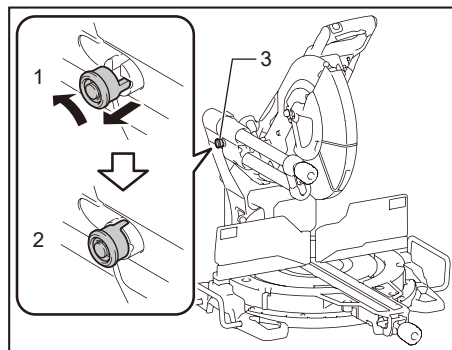


► 1. Levier de fermeture

⚠ATTENTION : Après avoir modifié l'angle de coupe en biseau, fixez toujours le bouton.

Verrou de glissement

Pour verrouiller le glissement du chariot, poussez le chariot vers le garde de guidage jusqu'à ce qu'il s'arrête. Tirez sur la broche de blocage et tournez-la de 90°.



► 1. Position déverrouillée 2. Position verrouillée
3. Broche de blocage

Interrupteur

⚠MISE EN GARDE : Avant de brancher l'outil, vérifiez toujours que la gâchette fonctionne correctement et qu'elle revient en position d'arrêt quand vous la libérez. Ne tirez pas fortement sur la gâchette sans avoir d'abord enfoncé le bouton de sécurité. Vous risquez de casser l'interrupteur.

Si vous utilisez un outil avec un interrupteur qui ne fonctionne pas correctement, vous risquez de perdre le contrôle de l'outil et de vous blesser grièvement.

⚠MISE EN GARDE : N'utilisez JAMAIS un outil dont la gâchette présente un problème. Tout outil dont la gâchette présente un problème est TRÈS DANGEREUX et doit être réparé avant d'être utilisé, autrement il y a risque de blessure grave.

⚠MISE EN GARDE : Le bouton de sécurité ne doit JAMAIS être immobilisé avec du ruban adhésif ou de toute autre façon. Une gâchette dont le bouton de sécurité est neutralisé peut causer la mise en marche accidentelle et une grave blessure.

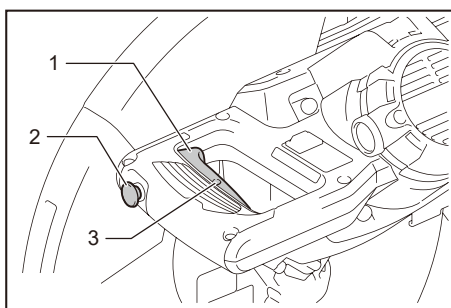
⚠MISE EN GARDE : N'utilisez JAMAIS l'outil s'il s'active simplement en appuyant sur la gâchette sans enfoncer le bouton de sécurité. Une gâchette défectueuse peut causer la mise en marche accidentelle et une grave blessure. AVANT de poursuivre l'utilisation, retournez l'outil à un centre de service après-vente Makita pour le faire réparer.

Action de faisceau laser

Pour le modèle LS1219L uniquement

ATTENTION : Ne regardez jamais dans le faisceau laser. Un faisceau laser direct peut entraîner une blessure aux yeux.

Pour allumer le faisceau laser, appuyez sur la position supérieure (1) de l'interrupteur. Pour éteindre le faisceau laser, appuyez sur la position inférieure (0) de l'interrupteur.



- 1. Gâchette 2. Bouton de sécurité 3. Trou pour cadenas

Un bouton de sécurité est fourni pour prévenir la pression accidentelle sur la gâchette. Pour faire démarrer l'outil, enfoncez le bouton de sécurité et appuyez sur la gâchette. Pour l'arrêter, libérez la gâchette.

Un trou a été prévu dans la gâchette pour l'insertion d'un cadenas permettant de verrouiller l'outil.

MISE EN GARDE : N'utilisez pas un cadenas dont la tige ou le câble a un diamètre inférieur à 6,35 mm (1/4"). Une tige ou un câble de format inférieur pourrait ne pas verrouiller correctement l'outil en position arrêtée et un démarrage accidentel risquerait de vous blesser grièvement.

Frein électrique

Cet outil est muni d'un frein de lame électrique. Si la libération de la gâchette ne permet pas d'arrêter promptement la lame d'une fois à l'autre, faites réparer l'outil dans un centre de service après-vente Makita.

ATTENTION : Le système de freinage de la lame ne doit pas remplacer le protège-lame. N'utilisez jamais un outil dont le protège-lame ne fonctionne pas. Une lame non protégée peut causer une grave blessure.

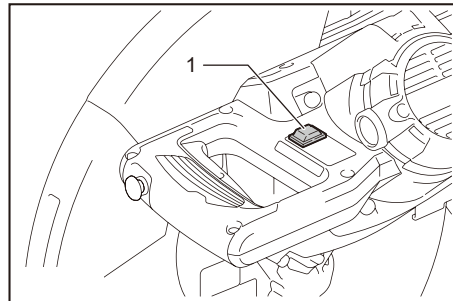
Fonction électronique

Commande de vitesse constante

L'outil est doté d'une commande de vitesse électronique qui aide à maintenir une vitesse de rotation constante de la lame même lorsque l'outil est soumis à une charge. Une vitesse de rotation constante de la lame permet d'effectuer la coupe de manière très fluide.

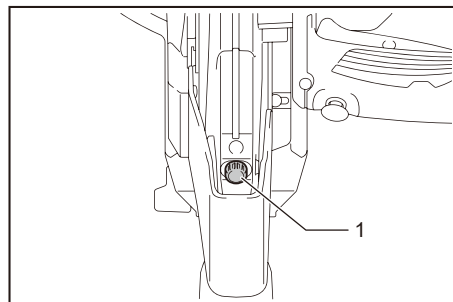
Fonction de démarrage en douceur

Cette fonction permet un démarrage graduel de l'outil, en limitant le couple de démarrage.



- 1. Interrupteur du laser

La raie laser peut être déplacée du côté gauche ou droit de la lame de scie en tournant la vis de réglage comme suit.



- 1. Vis de réglage

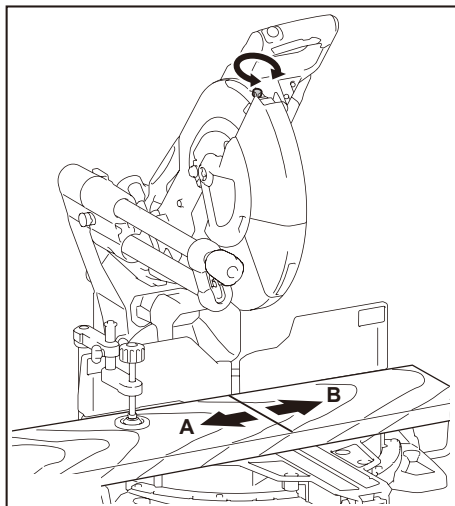
1. Desserrez la vis de réglage en la tournant dans le sens contraire des aiguilles d'une montre.
2. Avec la vis de réglage desserrée, glissez-la le plus loin possible vers la droite ou la gauche.
3. Serrez fermement la vis de réglage à la position où elle arrête de glisser.

NOTE : La raie laser est ajustée en usine pour se trouver à 1 mm (0,04") ou moins de la face latérale de la lame (position de coupe).

NOTE : Lorsque la raie laser est indistincte et peu visible à cause des rayons directs du soleil, déplacez la zone de travail dans un emplacement moins exposé aux rayons directs du soleil.

Alignement de la raie laser

Alignez sur la raie laser la ligne de coupe de votre pièce à travailler.



A) Pour obtenir la bonne taille du côté gauche de la pièce à travailler, déplacez la raie laser du côté gauche de la lame.

B) Pour obtenir la bonne taille du côté droit de la pièce à travailler, déplacez la raie laser du côté droit de la lame.

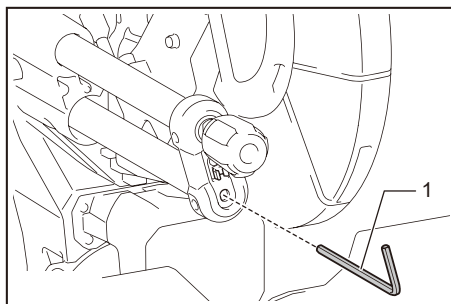
NOTE : Mettez un parement de bois contre le garde de guidage lorsque vous alignez la ligne de coupe sur la raie laser à côté du garde de guidage en coupe mixte (angle de coupe en biseau 45° et angle de coupe d'onglet 45° à droite).

ASSEMBLAGE

⚠ MISE EN GARDE : Avant d'effectuer tout travail sur l'outil, assurez-vous toujours qu'il est éteint et débranché. Ne pas éteindre et débrancher l'outil peut entraîner une grave blessure.

Rangement de la clé hexagonale

Lorsque vous n'utilisez pas la clé hexagonale, rangez-la de la façon indiquée sur la figure pour éviter de l'égarer.



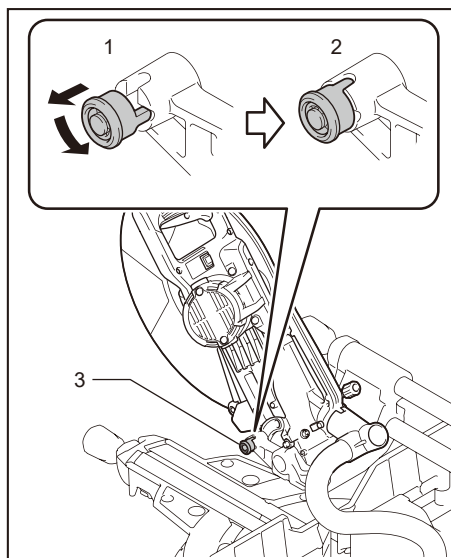
► 1. Clé hexagonale

Retrait et pose de la lame de scie

⚠ MISE EN GARDE : Avant d'installer ou de retirer la lame, assurez-vous toujours que l'outil est éteint et débranché. Un démarrage accidentel de l'outil risquerait de causer une grave blessure.

⚠ MISE EN GARDE : Utilisez uniquement la clé Makita fournie pour installer ou retirer la lame. Ne pas utiliser cette clé peut entraîner un serrage excessif ou insuffisant du boulon hexagonal, et causer une grave blessure.

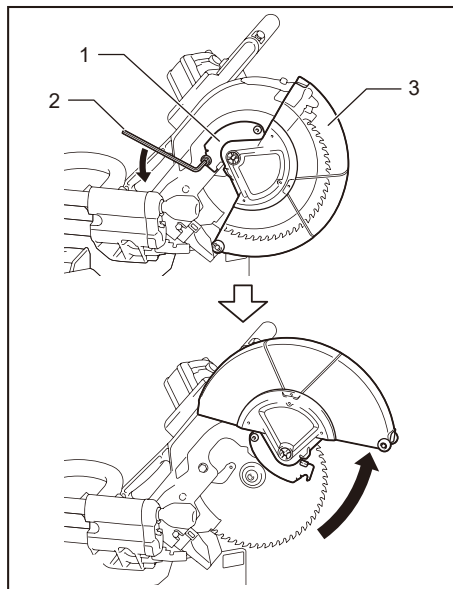
Verrouillez toujours le chariot en position élevée lorsque vous retirez ou installez la lame. Tirez sur la broche de blocage et tournez-la de 90° avec le chariot élevé.



► 1. Position déverrouillée 2. Position verrouillée
3. Broche de blocage

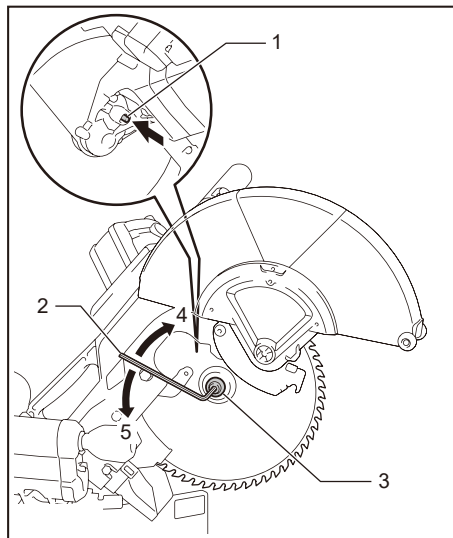
Retrait de la lame

À l'aide de la clé hexagonale, desserrez le boulon hexagonal qui retient le couvercle central. Soulevez le protège-lame et le couvercle central.



- 1. Couvercle central 2. Clé hexagonale
3. Protège-lame

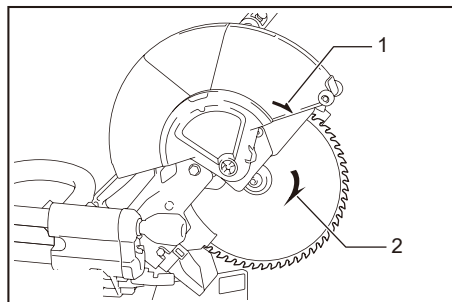
Appuyez sur le blocage de l'arbre pour verrouiller l'axe, et utilisez la clé hexagonale pour desserrer le boulon hexagonal. Retirez ensuite le boulon hexagonal, le flasque extérieur et la lame.



- 1. Blocage de l'arbre 2. Clé hexagonale 3. Boulon hexagonal (à filet renversé) 4. Desserrer 5. Serrer

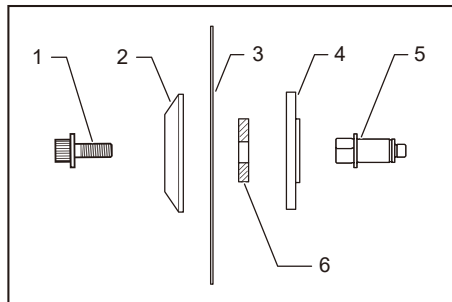
Pose de la lame

Montez soigneusement la lame sur l'axe, en vous assurant que le sens de la flèche sur la face de la lame est le même que celui de la flèche sur le porte-lame.



- 1. Flèche sur le porte-lame 2. Flèche sur la lame

Installez le flasque extérieur et le boulon hexagonal. Serrez le boulon hexagonal dans le sens contraire des aiguilles d'une montre, à l'aide de la clé hexagonale, tout en appuyant sur le blocage de l'arbre.



- 1. Boulon hexagonal 2. Flasque extérieur 3. Lame de scie 4. Flasque intérieur 5. Axe 6. Bague

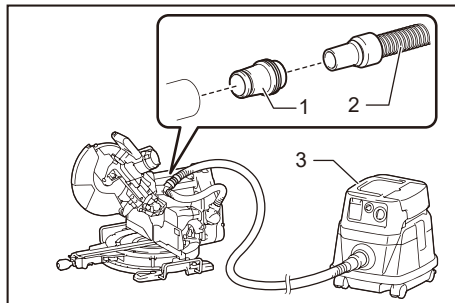
AVIS : Si le flasque intérieur a été retiré, veillez à l'installer sur l'axe avec sa partie saillante orientée du côté opposé à la lame. Si le flasque est mal installé, il frottera contre la machine.

Ramenez le protège-lame et le couvercle central sur leur position d'origine. Serrez ensuite le boulon hexagonal dans le sens des aiguilles d'une montre pour fixer le couvercle central. Déverrouillez la broche de blocage pour libérer le chariot de la position élevée. Abaissez la poignée pour vous assurer que le protège-lame se déplace correctement. Avant d'effectuer une coupe, assurez-vous que le blocage de l'arbre a libéré l'axe.

⚠ MISE EN GARDE : Avant de monter la lame sur l'axe, assurez-vous toujours que la bague qui convient à l'orifice d'alésage de la lame à utiliser est installée entre les flasques intérieur et extérieur. L'utilisation d'une bague d'orifice d'alésage incorrecte peut entraîner un montage inadéquat de la lame et la faire bouger ou vibrer considérablement, ce qui peut entraîner une perte de contrôle dont peut découler une grave blessure pendant l'utilisation.

Raccordement à un aspirateur

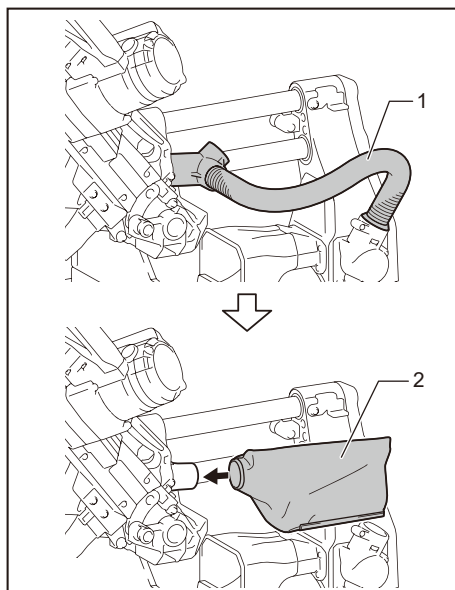
Lorsque vous souhaitez effectuer un travail de coupe propre, raccordez un aspirateur Makita au raccord à poussières à l'aide de bracelets avant 24 (accessoire en option).



► 1. Bracelets avant 24 2. Tuyau 3. Aspirateur

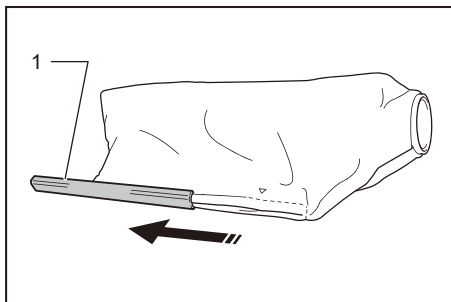
Sac à poussières

L'utilisation du sac à poussières rend les opérations de coupe propres et la collecte des poussières facile. Pour fixer le sac à poussières, retirez le tuyau d'aspiration des poussières sur l'outil et raccordez le sac à poussières.



► 1. Tuyau d'aspiration des poussières 2. Sac à poussières

Lorsque le sac à poussières est environ à moitié plein, retirez-le de l'outil et tirez sur l'agrafe. Videz le sac à poussières, en le tapant légèrement pour retirer les particules qui adhèrent à sa surface intérieure et risqueraient de faire obstacle à la collecte des poussières par la suite.



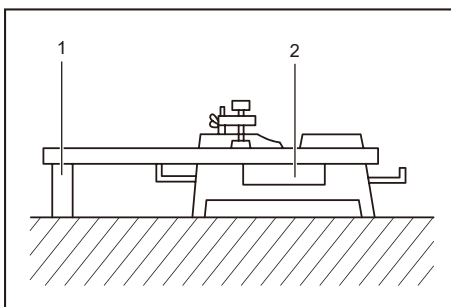
► 1. Agrafe

Immobilisation de la pièce

▲ MISE EN GARDE : Il est extrêmement important de toujours bien fixer la pièce à travailler, avec le bon type d'étau ou de butées de moule couronnée. Dans le cas contraire, vous risquez une grave blessure et l'outil et/ou la pièce peuvent être endommagés.

▲ MISE EN GARDE : Après une opération de coupe, ne relevez pas la lame avant qu'elle ne soit complètement arrêtée. En relevant une lame qui tourne, vous risqueriez de vous blesser grièvement ou d'endommager la pièce.

▲ MISE EN GARDE : Lorsque vous coupez une pièce plus longue que le socle de soutien de la scie, le matériau doit être soutenu sur toute la longueur au-delà du socle de soutien et à la même hauteur, pour que le matériau reste de niveau. Un bon soutien de la pièce aidera à éviter le coincement de la lame et les éventuels rebonds qui risqueraient de vous blesser grièvement. Ne comptez pas uniquement sur l'étau vertical et/ou horizontal pour bloquer la pièce. Les matériaux fins ont tendance à s'affaisser. La pièce doit être soutenue sur toute sa longueur pour éviter que la lame ne se coince, ce qui comporte un risque de REBOND.



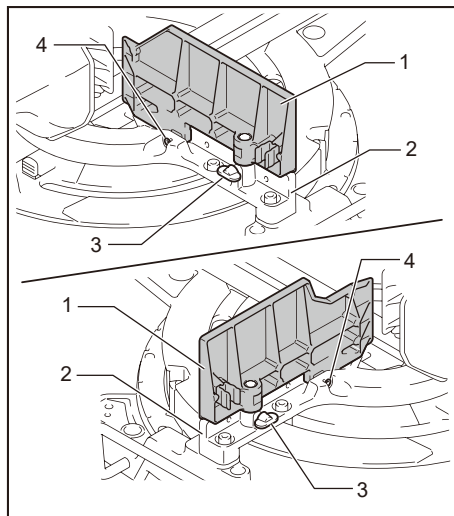
► 1. Support 2. Socle rotatif

Gardes de guidage

⚠ MISE EN GARDE : Avant d'utiliser l'outil, assurez-vous que le garde supérieur est fermement fixé.

⚠ MISE EN GARDE : Avant la coupe en biseau, assurez-vous qu'aucune pièce de l'outil, et tout spécialement la lame, ne touche les gardes supérieurs et inférieurs lorsque vous abaissez ou élevez complètement la poignée sur toute position, et pendant que vous déplacez le chariot sur toute sa plage de mouvement. En touchant le garde, l'outil ou la lame peut causer un rebond ou un déplacement inattendu du matériau, et entraîner une grave blessure.

Utilisez les gardes supérieurs pour soutenir le matériau s'il est plus haut que les gardes inférieurs. Insérez le garde supérieur dans l'orifice du garde inférieur, et serrez la vis de serrage.

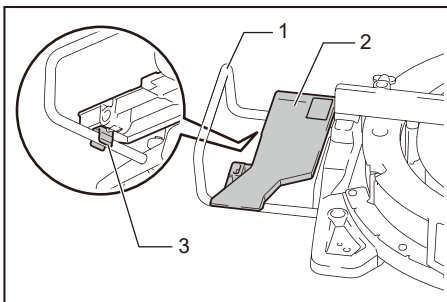


► 1. Garde supérieur 2. Garde inférieur 3. Vis de serrage 4. Vis de réglage

AVIS : Les gardes inférieurs sont fixés au socle en usine. Ne retirez pas les gardes inférieurs.

AVIS : Si le garde supérieur est encore lâche après avoir été serré avec la vis de serrage, tournez la vis de réglage pour annuler le jeu. La vis de réglage est ajustée en usine. Vous n'avez à l'utiliser que lorsque nécessaire.

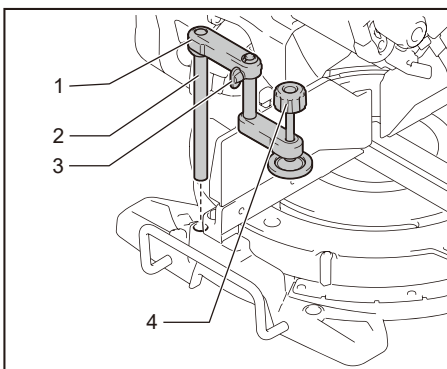
Vous pouvez ranger les gardes supérieurs sur le support lorsque vous ne les utilisez pas. Utilisez l'attache, sur le garde supérieur, pour attacher ce dernier au support.



► 1. Support 2. Garde supérieur 3. Attache

Étau vertical

⚠ MISE EN GARDE : La pièce à travailler doit être fixée fermement contre le socle rotatif et le garde de guidage avec l'étau lors de toutes les opérations. Si la pièce à travailler n'est pas bien fixée au garde, le matériau risque de se déplacer pendant la coupe, ce qui peut endommager la lame, causer l'éjection du matériau et une perte de maîtrise de l'outil, entraînant une grave blessure.



► 1. Bras de l'étau 2. Tige de l'étau 3. Vis de serrage 4. Bouton de l'étau

L'étau vertical peut être installé en deux positions, du côté gauche ou droit du socle. Insérez la tige de l'étau dans l'orifice du socle.

Positionnez le bras de l'étau selon l'épaisseur et la forme de la pièce à travailler, et fixez le bras de l'étau en serrant la vis. Si la vis de serrage touche le chariot, installez-la du côté opposé du bras de l'étau. Veillez à ce qu'aucune pièce de l'outil ne touche l'étau lorsque vous abaissez complètement la poignée. Si une partie quelconque entre en contact avec l'étau, modifiez la position de ce dernier.

Appuyez la pièce bien à plat contre le garde de guidage et le socle rotatif. Placez la pièce sur la position de coupe désirée et immobilisez-la fermement en serrant le bouton de l'étau.

NOTE : Pour un réglage rapide de la pièce à travailler, tourner le bouton de l'étau de 90° dans le sens contraire des aiguilles d'une montre permet de le déplacer vers le haut et le bas. Pour fixer la pièce à travailler une fois celle-ci en place, tournez le bouton de l'étau dans le sens des aiguilles d'une montre.

Étau horizontal

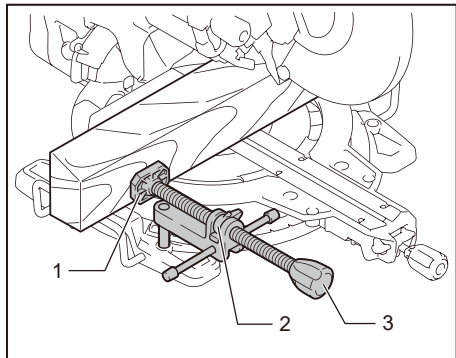
Accessoire en option

⚠ MISE EN GARDE : Tournez toujours l'écrou de l'étau dans le sens des aiguilles d'une montre jusqu'à ce que la pièce à travailler soit bien fixée. Si la pièce à travailler n'est pas bien fixée, le matériau risque de se déplacer pendant la coupe, ce qui peut endommager la lame, causer l'éjection du matériau et une perte de maîtrise de l'outil, entraînant une grave blessure.

⚠ MISE EN GARDE : Utilisez toujours l'étau horizontal lorsque vous placez une pièce mince, comme du plateau de socle, contre le garde pour la couper.

⚠ ATTENTION : Lorsque vous coupez une pièce dont l'épaisseur est de 20 mm (13/16") ou moins, veillez à utiliser une cale d'espacement pour fixer la pièce.

L'étau horizontal peut être installé en deux positions, du côté gauche ou droit du socle. Lorsque vous effectuez des coupes d'onglet de 22,5° ou plus, installez l'étau horizontal du côté opposé au sens dans lequel le socle rotatif doit être tourné.



► 1. Plaque de l'étau 2. Écrou de l'étau 3. Bouton de l'étau

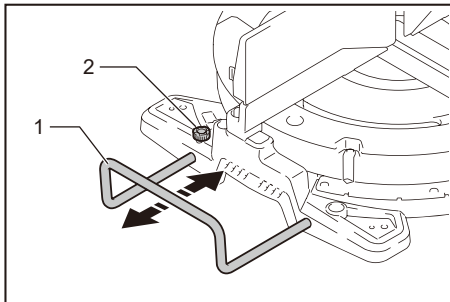
Faire pivoter l'écrou de l'étau dans le sens contraire des aiguilles d'une montre libère l'étau, qui peut être alors déplacé rapidement vers l'intérieur et l'extérieur. Pour serrer la pièce à travailler, poussez le bouton de l'étau vers l'avant jusqu'à ce que la plaque de l'étau touche la pièce, puis faites pivoter l'écrou de l'étau dans le sens des aiguilles d'une montre. Tournez ensuite le bouton de l'étau dans le sens des aiguilles d'une montre pour fixer la pièce.

NOTE : L'étau horizontal peut immobiliser une pièce d'une largeur maximale de 228 mm (9").

Supports

⚠ MISE EN GARDE : Soutenez toujours les pièces longues afin qu'elles soient au niveau de la face supérieure du socle rotatif pour effectuer une coupe précise et éviter une dangereuse perte de contrôle de l'outil. Un bon soutien de la pièce aidera à éviter le coincement de la lame et les éventuels rebonds qui risqueraient de vous blesser grièvement.

Des supports ont été prévus des deux côtés de l'outil pour soutenir les longues pièces horizontalement. Desserrez les vis et déployez les supports jusqu'à la longueur adéquate pour soutenir la pièce à travailler. Serrez ensuite les vis.



► 1. Support 2. Vis

UTILISATION

⚠ MISE EN GARDE : Avant de mettre l'outil sous tension, assurez-vous que la lame ne touche pas la pièce ni quoi que ce soit. Le démarrage de l'outil avec la lame en contact avec la pièce peut causer un rebond et une blessure grave.

⚠ MISE EN GARDE : Après une opération de coupe, ne relevez pas la lame avant qu'elle ne soit complètement arrêtée. En relevant une lame qui tourne, vous risqueriez de vous blesser grièvement ou d'endommager la pièce.

⚠ MISE EN GARDE : Pendant que la lame tourne, n'effectuez aucun réglage en tournant le manche, le bouton, les leviers de l'outil, etc. Un réglage effectué pendant que la lame tourne peut entraîner une grave blessure.

AVIS : Avant l'utilisation, veillez à déverrouiller la broche de blocage et à libérer la poignée de la position abaissée.

AVIS : Pendant la coupe, n'appliquez pas une pression excessive sur la poignée. L'application d'une trop grande force peut entraîner une surcharge du moteur et/ou réduire la capacité de coupe. Abaissez la poignée en ne lui appliquant que la force nécessaire pour obtenir une coupe en douceur et sans décélération excessive de la lame.

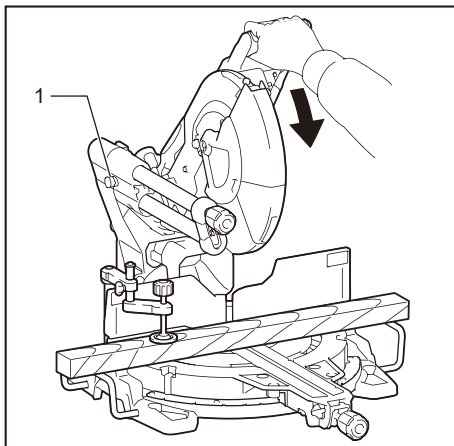
AVIS : Abaissez doucement la poignée pour effectuer la coupe. Si la poignée est abaissée avec force ou si une force latérale lui est appliquée, la lame risque de vibrer et de laisser une marque (trace de scie) dans la pièce, et la précision de la coupe risque d'être affectée.

AVIS : Lors d'une coupe en glissière, poussez doucement le chariot vers le garde de guidage sans arrêter. Si le mouvement du chariot est arrêté pendant la coupe, cela risque de laisser une marque sur la pièce et d'affecter la précision de la coupe.

Coupe sous presse

MISE EN GARDE : Verrouillez toujours le glissement du chariot pendant l'exécution d'une coupe sous presse. Effectuer la coupe sans le verrouiller peut causer un rebond et vous blesser grièvement.

Des pièces jusqu'à 92 mm (3-5/8") de hauteur et 183 mm (7-1/4") de largeur peuvent être coupées comme suit.



► 1. Broche de blocage

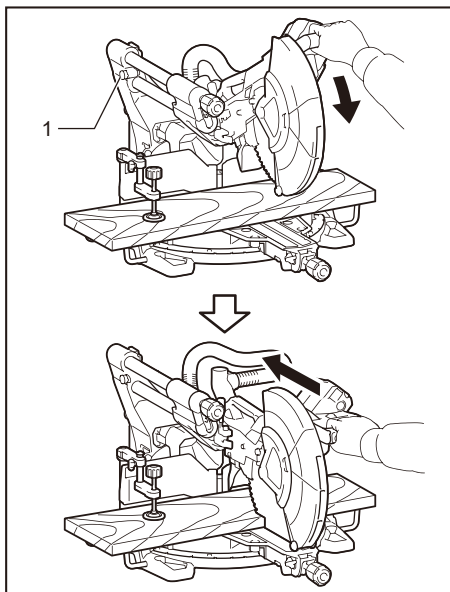
1. Poussez le chariot vers le garde de guidage jusqu'à ce qu'il s'arrête, et verrouillez-le avec la broche de blocage.
2. Fixez la pièce avec le bon type d'étau.
3. Mettez le contact alors que la lame ne touche aucune surface, et attendez que la lame ait atteint sa pleine vitesse avant de l'abaisser.
4. Descendez doucement la poignée jusqu'à la position complètement abaissée pour couper la pièce.
5. Une fois la coupe terminée, éteignez l'outil et attendez l'arrêt complet de la lame avant de remettre la lame sur sa position la plus haute.

Coupe en glissière (poussée) (coupe de grandes pièces)

MISE EN GARDE : Avant d'effectuer une coupe en glissière, commencez par tirer complètement le chariot vers vous et abaissez complètement la poignée, puis poussez le chariot vers le garde de guidage. Ne commencez jamais la coupe sans d'abord tirer le chariot complètement vers vous. Si vous effectuez la coupe en glissière alors que le chariot n'est pas tiré complètement vers vous, vous risquez de provoquer un rebond inattendu et de subir une grave blessure.

MISE EN GARDE : N'essayez jamais d'effectuer une coupe en glissière en tirant le chariot vers vous. En tirant le chariot vers vous pendant la coupe, vous risqueriez de provoquer un rebond inattendu et de subir une grave blessure.

MISE EN GARDE : N'effectuez jamais une coupe en glissière lorsque la poignée est verrouillée en position abaissée.



► 1. Broche de blocage

1. Déverrouillez la broche de blocage pour que le chariot puisse glisser librement.
2. Fixez la pièce avec le bon type d'étau.
3. Tirez complètement le chariot vers vous.
4. Mettez l'outil sous tension alors que la lame n'entre en contact avec aucune surface, et attendez qu'elle ait atteint sa pleine vitesse.
5. Abaissez la poignée et poussez le chariot vers le garde de guidage et à travers la pièce.
6. Une fois la coupe terminée, éteignez l'outil et attendez l'arrêt complet de la lame avant de remettre la lame sur sa position la plus haute.

Coupe d'onglet

Référez-vous à la section précédente intitulée « Réglage de l'angle de coupe d'onglet ».

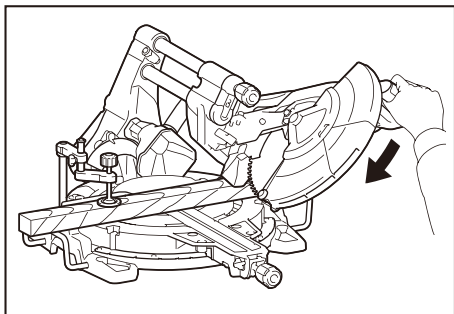
Coupe en biseau

⚠ MISE EN GARDE : Avant d'utiliser l'outil suite au réglage de la lame pour une coupe en biseau, assurez-vous que rien n'entrave la course du chariot et de la lame sur toute la longueur de la coupe prévue. Si la course du chariot ou de la lame est entravée au cours d'une opération de coupe, il y a risque de rebond et de grave blessure.

⚠ MISE EN GARDE : Lorsque vous effectuez une coupe en biseau, gardez les mains hors du trajet de la lame. L'angle de la lame peut induire l'opérateur en erreur quant au trajet de la lame lors de la coupe et entraîner une grave blessure au contact de la lame.

⚠ MISE EN GARDE : Vous ne devez pas relever la lame avant son arrêt complet. Au cours d'une coupe en biseau, la partie découpée de la pièce peut exercer une pression sur la lame. Si vous relevez la lame alors qu'elle tourne, la partie découpée de la pièce peut être éjectée par la lame, fragmenter le matériau et causer une grave blessure.

AVIS : Lorsque vous abaissez la poignée, appliquez la pression parallèlement à la lame. Si une force est appliquée de façon perpendiculaire au socle rotatif ou si le sens de la pression est modifié au cours d'une coupe, la précision de cette dernière en sera affectée.



1. Retirez le garde supérieur du côté où vous inclinez le chariot.
2. Déverrouillez la broche de blocage.
3. Réglez l'angle de coupe en biseau en suivant la procédure expliquée à la section « Réglage de l'angle de coupe en biseau ». Serrez ensuite le bouton.
4. Immobilisez la pièce avec un étau.
5. Tirez complètement le chariot vers vous.
6. Mettez l'outil sous tension alors que la lame n'entre en contact avec aucune surface, et attendez qu'elle ait atteint sa pleine vitesse.

7. Abaissez doucement la poignée sur la position la plus basse tout en appliquant une pression parallèle à la lame, et **poussez le chariot vers le garde de guidage pour couper la pièce.**

8. Une fois la coupe terminée, éteignez l'outil et **attendez l'arrêt complet de la lame** avant de remettre la lame sur sa position la plus haute.

Coupe mixte

La coupe mixte consiste à effectuer en même temps une coupe en biseau et une coupe d'onglet sur une pièce. La coupe mixte est possible pour les angles indiqués dans le tableau.

Angle de coupe d'onglet	Angle de coupe en biseau
0° - 45° à gauche et à droite	0° - 45° à gauche et à droite

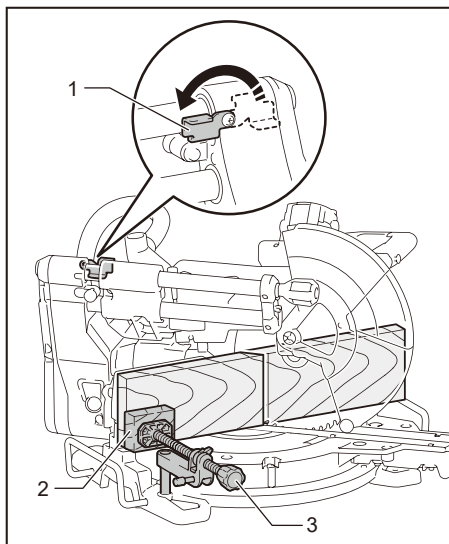
Pour effectuer une coupe mixte, référez-vous aux explications des sections « Coupe sous presse », « Coupe en glissière (poussée) », « Coupe d'onglet » et « Coupe en biseau ».

Coupe des plinthes

⚠ ATTENTION : Veillez à utiliser l'étau horizontal (accessoire en option) pour couper la plinthe.

⚠ ATTENTION : Lorsque vous coupez une pièce dont l'épaisseur est de 20 mm (13/16") ou moins, veillez à utiliser une cale d'espacement pour fixer la pièce.

Lorsque vous coupez la plinthe avec un angle de coupe d'onglet de 45°, engagez le levier de blocage pour éviter que le porte-lame ne touche la plinthe. Cela maintiendra un espace libre entre la plinthe et le porte-lame lorsque le chariot est complètement poussé vers l'avant. Reportez-vous à la section SPÉCIFICATIONS au sujet de la capacité de coupe pour les plinthes.

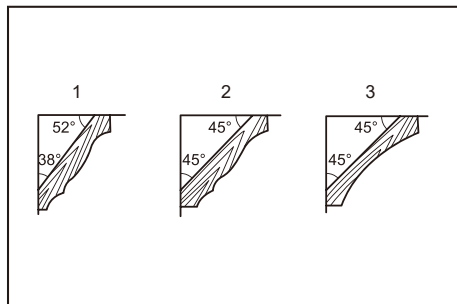


- 1. Levier de blocage 2. Cale d'espacement 3. Étau horizontal

Coupe de moulures couronnées et concaves

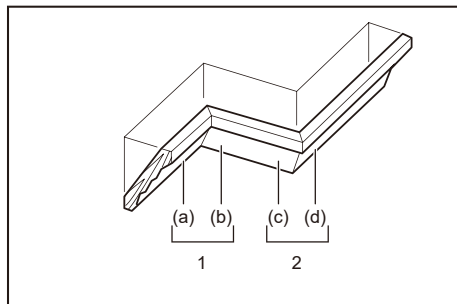
Les moulures couronnées et concaves peuvent être coupées avec une scie radiale, en les déposant à plat sur le socle rotatif.

Il existe deux types communs de moulures couronnées et un type de moulure concave, à savoir : les moulures couronnées pour angles de murs respectifs de 52/38° et 45°, et les moulures concaves pour angle de mur de 45°.

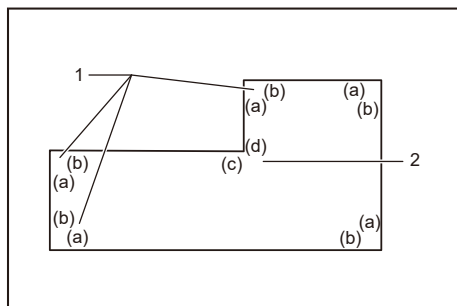


► 1. Moulure couronnée de type 52/38° 2. Moulure couronnée de type 45° 3. Moulure concave de type 45°

Il existe des joints de moulures couronnées et concaves qui s'adaptent aux coins « intérieurs » de 90° ((a) et (b) sur l'illustration) et aux coins « extérieurs » de 90° ((c) et (d) sur l'illustration).



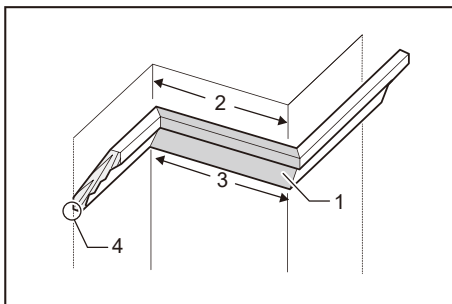
1. Coin intérieur 2. Coin extérieur



1. Coin intérieur 2. Coin extérieur

Mesure

Mesurez la largeur du mur, et ajustez en conséquence la largeur de la pièce. Assurez-vous toujours que la largeur du bord de la pièce en contact avec le mur est identique à la longueur du mur.

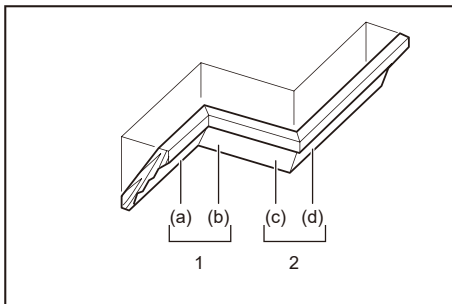


► 1. Pièce à travailler 2. Largeur du mur 3. Largeur de la pièce 4. Bord en contact avec le mur

Vérifiez toujours les angles de coupe de la scie en effectuant des essais sur quelques morceaux.

Lorsque vous coupez des moulures couronnées et concaves, réglez l'angle de coupe en biseau et l'angle de coupe d'onglet tel qu'indiqué dans le tableau (A) et placez les moulures sur la face supérieure du socle de la scie, tel qu'indiqué dans le tableau (B).

Dans le cas d'une coupe en biseau sur la gauche



1. Coin intérieur 2. Coin extérieur

Tableau (A)

-	Position de la moulure sur l'illustration	Angle de coupe en biseau		Angle de coupe d'onglet	
		Type 52/38°	Type 45°	Type 52/38°	Type 45°
Pour coin intérieur	(a)	33,9° à gauche	30° à gauche	31,6° à droite	35,3° à droite
	(b)			31,6° à gauche	35,3° à gauche
Pour coin extérieur	(c)			31,6° à droite	35,3° à droite
	(d)				

Tableau (B)

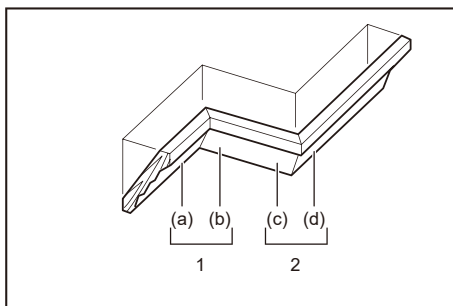
–	Position de la moulure sur l'illustration	Bord de la moulure contre le garde de guidage	Pièce terminée
Pour coin intérieur	(a)	Le bord de contact avec le plafond doit être contre le garde de guidage.	La pièce terminée sera du côté gauche de la lame.
	(b)	Le bord de contact avec le mur doit être contre le garde de guidage.	
Pour coin extérieur	(c)	Le bord de contact avec le plafond doit être contre le garde de guidage.	La pièce terminée sera du côté droit de la lame.
	(d)	Le bord de contact avec le mur doit être contre le garde de guidage.	

Exemple :

Dans le cas de la coupe d'une moulure couronnée de type 52/38° pour la position (a) de l'illustration ci-dessus :

- Inclinez l'angle de coupe en biseau et immobilisez-le sur 33,9° vers la GAUCHE.
- Réglez l'angle de coupe d'onglet et immobilisez-le sur 31,6° vers la DROITE.
- Déposez sur le socle rotatif la moulure couronnée, face arrière large (cachée) orientée vers le bas, et en plaçant le BORD DE CONTACT AVEC LE PLAFOND contre le garde de guidage de la scie.
- La pièce terminée à utiliser doit toujours être du côté GAUCHE de la lame une fois la coupe terminée.

Dans le cas d'une coupe en biseau sur la droite



1. Coin intérieur 2. Coin extérieur

Tableau (A)

–	Position de la moulure sur l'illustration	Angle de coupe en biseau		Angle de coupe d'onglet	
		Type 52/38°	Type 45°	Type 52/38°	Type 45°
Pour coin intérieur	(a)	33,9° à droite	30° à droite	31,6° à droite	35,3° à droite
	(b)			31,6° à gauche	35,3° à gauche
Pour coin extérieur	(c)	33,9° à droite	30° à droite	31,6° à droite	35,3° à droite
	(d)			31,6° à gauche	35,3° à gauche

Tableau (B)

–	Position de la moulure sur l'illustration	Bord de la moulure contre le garde de guidage	Pièce terminée
Pour coin intérieur	(a)	Le bord de contact avec le mur doit être contre le garde de guidage.	La pièce terminée sera du côté droit de la lame.
	(b)	Le bord de contact avec le plafond doit être contre le garde de guidage.	
Pour coin extérieur	(c)	Le bord de contact avec le plafond doit être contre le garde de guidage.	La pièce terminée sera du côté gauche de la lame.
	(d)	Le bord de contact avec le mur doit être contre le garde de guidage.	

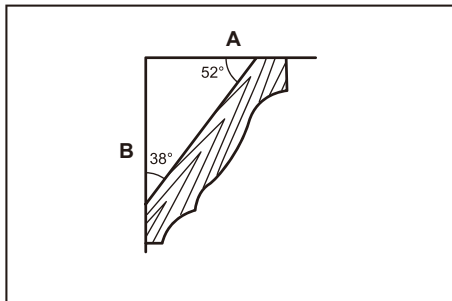
Exemple :

Dans le cas de la coupe d'une moulure couronnée de type 52/38° pour la position (a) de l'illustration ci-dessus :

- Inclinez l'angle de coupe en biseau et immobilisez-le sur 33,9° à DROITE.
- Réglez l'angle de coupe d'onglet et immobilisez-le sur 31,6° vers la DROITE.
- Déposez sur le socle rotatif la moulure couronnée, face arrière large (cachée) orientée vers le bas, et en plaçant le BORD DE CONTACT AVEC LE MUR contre le garde de guidage de la scie.
- La pièce terminée à utiliser doit toujours être du côté DROIT de la lame une fois la coupe terminée.

Réglages d'angles combinés de coupe d'onglet et de coupe en biseau

Angle de la moulure couronnée par rapport au mur : 52°/38°



	1	2	3
△ 60	43.0	46.8	
61	42.8	46.3	
62	42.5	45.7	
63	42.2	45.1	
64	41.9	44.6	
65	41.7	44.0	
66	41.4	43.5	
67	41.1	42.9	
68	40.8	42.4	
69	40.5	41.9	
70	40.2	41.3	
71	39.9	40.8	
72	39.6	40.3	
73	39.3	39.8	
74	39.0	39.2	
75	38.7	38.7	
76	38.4	38.2	
77	38.1	37.7	
78	37.8	37.2	
79	37.4	36.8	
80	37.1	36.3	
81	36.8	35.8	
82	36.5	35.3	
83	36.2	34.8	
84	35.8	34.4	
85	35.5	33.9	
86	35.2	33.4	
87	34.9	33.0	
88	34.5	32.5	
89	34.2	32.1	
△ 90	33.9	31.6	
91	33.5	31.2	
92	33.2	30.7	
93	32.8	30.3	
94	32.5	29.9	
95	32.2	29.4	
96	31.8	29.0	
97	31.5	28.6	
98	31.1	28.2	
99	30.8	27.7	
100	30.4	27.3	

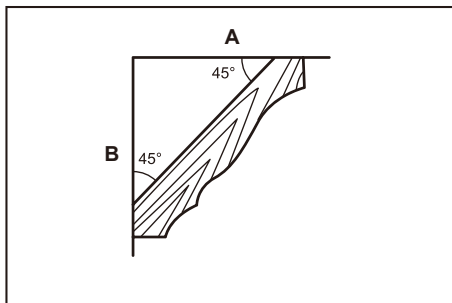
	1	2	3
101	30.1	26.9	
102	29.7	26.5	
103	29.4	26.1	
104	29.0	25.7	
105	28.7	25.3	
106	28.3	24.9	
107	28.0	24.5	
108	27.6	24.1	
109	27.2	23.7	
110	26.9	23.3	
111	26.5	22.9	
112	26.1	22.6	
113	25.8	22.2	
114	25.4	21.8	
115	25.0	21.4	
116	24.7	21.0	
117	24.3	20.7	
118	23.9	20.3	
119	23.6	19.9	
△ 120	23.2	19.6	
121	22.8	19.2	
122	22.5	18.8	
123	22.1	18.5	
124	21.7	18.1	
125	21.3	17.8	
126	21.0	17.4	
127	20.6	17.1	
128	20.2	16.7	
129	19.8	16.4	
130	19.5	16.0	
131	19.1	15.7	
132	18.7	15.3	
133	18.3	15.0	
134	17.9	14.6	
135	17.6	14.3	
136	17.2	14.0	
137	16.8	13.6	
138	16.4	13.3	
139	16.0	13.0	
140	15.6	12.8	

	1	2	3
141	15.3	12.3	
142	14.9	12.0	
143	14.5	11.6	
144	14.1	11.3	
145	13.7	11.0	
146	13.3	10.7	
147	12.9	10.3	
148	12.5	10.0	
149	12.2	9.7	
△ 150	11.8	9.4	
151	11.4	9.0	
152	11.0	8.7	
153	10.8	8.4	
154	10.2	8.1	
155	9.8	7.8	
156	9.4	7.5	
157	9.0	7.1	
158	8.6	6.8	
159	8.3	6.5	
160	7.9	6.2	
161	7.5	5.9	
162	7.1	5.6	
163	6.7	5.3	
164	6.3	4.9	
165	5.9	4.6	
166	5.5	4.3	
167	5.1	4.0	
168	4.7	3.7	
169	4.3	3.4	
170	3.9	3.1	
171	3.5	2.8	
172	3.2	2.5	
173	2.8	2.2	
174	2.4	1.8	
175	2.0	1.5	
176	1.6	1.2	
177	1.2	0.9	
178	0.8	0.6	
179	0.4	0.3	
△ 180	0.0	0.0	

A Côté plafond B Côté mur

1. Angle du mur (degrés) 2. Angle de coupe en biseau (degrés) 3. Angle de coupe d'onglet (degrés)

Angle de la moulure couronnée par rapport au mur : 45°



	1	2	3
Δ 60	37.8	50.8	
61	37.5	50.2	
62	37.3	49.6	
63	37.1	49.1	
64	36.8	48.5	
65	36.6	48.0	
66	36.4	47.4	
67	36.1	46.9	
68	35.9	46.4	
69	35.6	45.8	
70	35.4	45.3	
71	35.1	44.8	
72	34.9	44.2	
73	34.6	43.7	
74	34.4	43.2	
75	34.1	42.7	
76	33.9	42.1	
77	33.6	41.6	
78	33.3	41.1	
79	33.1	40.6	
80	32.8	40.1	
81	32.5	39.6	
82	32.3	39.1	
83	32.0	38.6	
84	31.7	38.1	
85	31.4	37.7	
86	31.1	37.2	
87	30.9	36.7	
88	30.6	36.2	
89	30.3	35.7	
∠ 90	30.0	35.3	
91	29.7	34.8	
92	29.4	34.3	
93	29.1	33.9	
94	28.8	33.4	
95	28.5	32.9	
96	28.2	32.5	
97	27.9	32.0	
98	27.6	31.6	
99	27.3	31.1	
100	27.0	30.7	

	1	2	3
101	26.7	30.2	
102	26.4	29.8	
103	26.1	29.4	
104	25.8	28.9	
105	25.5	28.5	
106	25.2	28.1	
107	24.9	27.6	
108	24.6	27.2	
109	24.2	26.8	
110	23.9	26.3	
111	23.6	25.9	
112	23.3	25.5	
113	23.0	25.1	
114	22.7	24.7	
115	22.3	24.3	
116	22.0	23.8	
117	21.7	23.4	
118	21.4	23.0	
119	21.0	22.6	
∠ 120	20.7	22.2	
121	20.4	21.8	
122	20.0	21.4	
123	19.7	21.0	
124	19.4	20.6	
125	19.1	20.2	
126	18.7	19.8	
127	18.4	19.4	
128	18.1	19.0	
129	17.7	18.6	
130	17.4	18.2	
131	17.1	17.9	
132	16.7	17.5	
133	16.4	17.1	
134	16.0	16.7	
135	15.7	16.3	
136	15.4	15.9	
137	15.0	15.6	
138	14.7	15.2	
139	14.3	14.8	
140	14.0	14.4	

	1	2	3
141	13.7	14.1	
142	13.3	13.7	
143	13.0	13.3	
144	12.6	12.9	
145	12.3	12.6	
146	11.9	12.2	
147	11.6	11.8	
148	11.2	11.5	
149	10.9	11.1	
∠ 150	10.5	10.7	
151	10.2	10.4	
152	9.8	10.0	
153	9.5	9.6	
154	9.2	9.3	
155	8.8	8.9	
156	8.5	8.5	
157	8.1	8.2	
158	7.8	7.8	
159	7.4	7.5	
160	7.1	7.1	
161	6.7	6.7	
162	6.4	6.4	
163	6.0	6.0	
164	5.6	5.7	
165	5.3	5.3	
166	4.9	5.0	
167	4.6	4.6	
168	4.2	4.3	
169	3.9	3.9	
170	3.5	3.5	
171	3.2	3.2	
172	2.8	2.8	
173	2.5	2.5	
174	2.1	2.1	
175	1.8	1.8	
176	1.4	1.4	
177	1.1	1.1	
178	0.7	0.7	
179	0.4	0.4	
∠ 180	0.0	0.0	

A Côté plafond B Côté mur

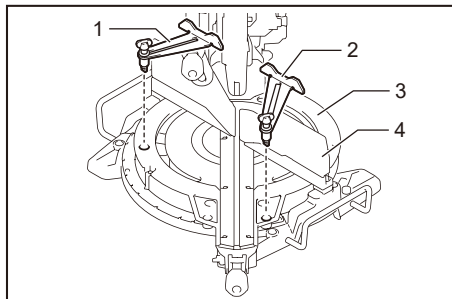
1. Angle du mur (degrés) 2. Angle de coupe en biseau (degrés) 3. Angle de coupe d'onglet (degrés)

Butée de moulure couronnée

Accessoire en option

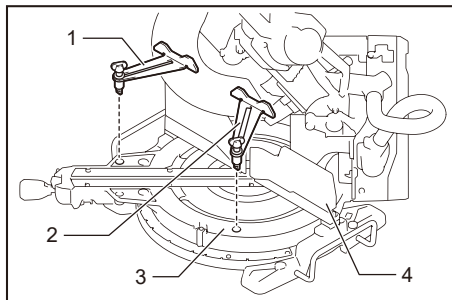
Les butées de moulure couronnée facilitent la coupe des moulures couronnées sans inclinaison de la lame de scie. Installez-les sur le socle rotatif tel qu'indiqué sur les illustrations.

Angle de coupe d'onglet 45° à droite



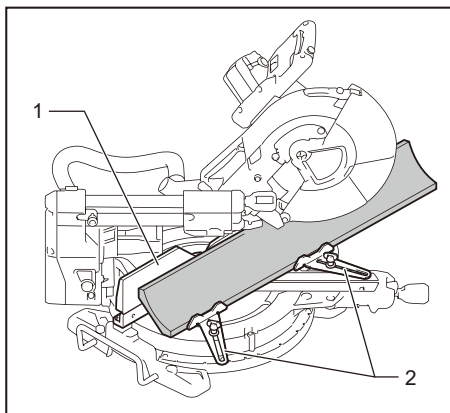
- 1. Butée de moulure couronnée G 2. Butée de moulure couronnée D 3. Socle rotatif 4. Garde de guidage

Angle de coupe d'onglet 45° à gauche

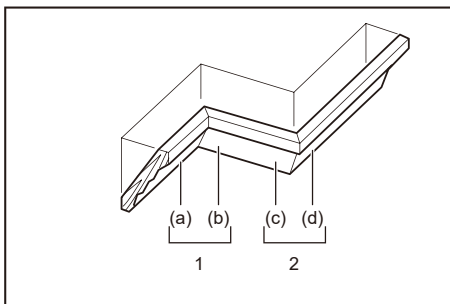


- 1. Butée de moulure couronnée G 2. Butée de moulure couronnée D 3. Socle rotatif 4. Garde de guidage

Placez la moulure couronnée avec le BORD DE CONTACT AVEC LE MUR contre le garde de guidage et le BORD DE CONTACT AVEC LE PLAFOND contre les butées de moulure couronnée, tel qu'indiqué sur l'illustration. Ajustez les butées de moulure couronnée selon la taille de la moulure couronnée. Serrez les vis pour fixer les butées de moulure couronnée. Reportez-vous au tableau (C) pour l'angle de coupe d'onglet.



- 1. Garde de guidage 2. Butée de moulure couronnée

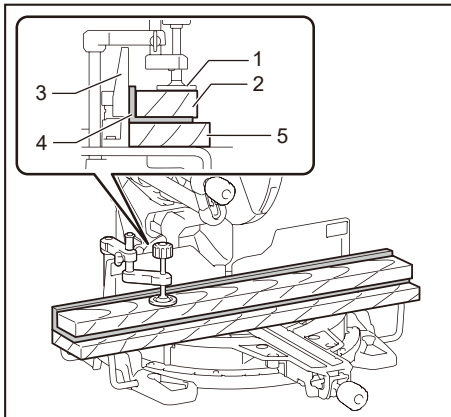


1. Coin intérieur 2. Coin extérieur

Tableau (C)

-	Position de la moulure sur l'illustration	Angle de coupe d'onglet	Pièce terminée
Pour coin intérieur	(a)	45° à droite	Conserver la partie à droite de la lame
	(b)	45° à gauche	Conserver la partie à gauche de la lame
Pour coin extérieur	(c)		Conserver la partie à droite de la lame
	(d)	45° à droite	Conserver la partie à gauche de la lame

Coupe des profilés d'aluminium



- 1. Étau 2. Cale d'espacement 3. Garde de guidage
4. Profilé d'aluminium 5. Cale d'espacement

Pour immobiliser les profilés d'aluminium, utilisez des cales d'espacement ou des retailles de bois, tel qu'illustré, pour prévenir la déformation de l'aluminium. Utilisez un lubrifiant de coupe lorsque vous coupez un profilé d'aluminium, pour prévenir l'accumulation de particules d'aluminium sur la lame.

⚠ MISE EN GARDE : N'essayez jamais de couper les profilés d'aluminium épais ou ronds.

Les profilés d'aluminium épais ou ronds peuvent être difficiles à fixer et peuvent se desserrer pendant la coupe, ce qui peut entraîner une perte de maîtrise de l'outil et vous blesser grièvement.

Parement de bois

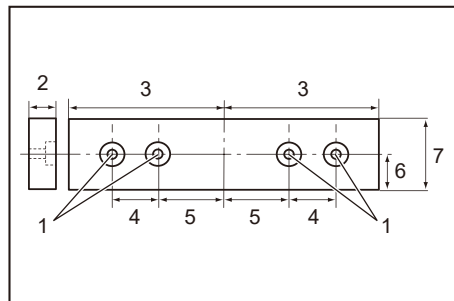
⚠ **MISE EN GARDE** : Utilisez les vis pour fixer le parement de bois au garde de guidage. Les vis doivent être posées de sorte que les têtes de vis se trouvent sous la surface du parement de bois afin de ne pas entraver le placement du matériau à couper. Un mauvais alignement du matériau peut provoquer un mouvement inattendu lors de la coupe, lequel peut entraîner une perte de contrôle et une grave blessure.

⚠ **ATTENTION** : En guise de parement de bois, utilisez une pièce de bois rectiligne et d'épaisseur uniforme.

⚠ **ATTENTION** : Afin de couper complètement à travers les pièces d'une hauteur de 107 mm à 120 mm (4-1/4" à 4-3/4"), un parement de bois doit être utilisé sur le garde de guidage. En écartant la pièce du garde, le parement de bois permettra à la lame d'effectuer une coupe plus profonde.

⚠ **AVIS** : Lorsqu'un parement de bois est fixé, ne tournez pas le socle rotatif alors que la poignée est abaissée. La lame et/ou le parement de bois seront endommagés.

L'utilisation d'un parement de bois favorise l'obtention de pièces coupées sans fente. Fixez un parement de bois au garde de guidage à l'aide des orifices pratiqués dans le garde de guidage et de vis de 6 mm (1/4"). Voir l'illustration des dimensions suggérées pour le parement de bois.



- 1. Orifice 2. Plus de 15 mm (9/16") 3. Plus de 270 mm (10-5/8") 4. 90 mm (3-1/2") 5. 145 mm (5-3/4")
6. 19 mm (3/4") 7. 115 - 120 mm (4-1/2" - 4-3/4")

EXEMPLE Pour couper les pièces d'une hauteur de 115 mm (4-1/2") et de 120 mm (4-3/4"), utilisez un parement de bois de l'épaisseur suivante.

Angle de coupe d'onglet	Épaisseur du parement de bois	
	115 mm (4-1/2")	120 mm (4-3/4")
0°	20 mm (13/16")	38 mm (1-1/2")
45° à gauche et à droite	15 mm (9/16")	25 mm (1")
60° à gauche et à droite	15 mm (9/16")	25 mm (1")

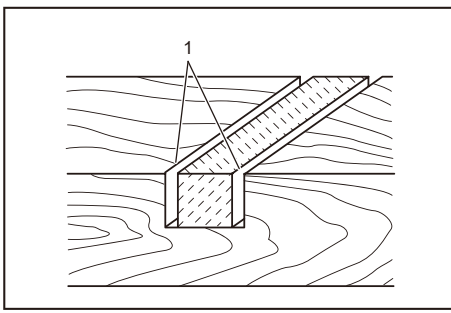
Rainurage

⚠ **MISE EN GARDE** : N'essayez pas d'effectuer ce type de coupe au moyen d'une lame plus large ou d'une lame à rainer. Si vous tentez de rainurer avec une lame plus large ou une lame à rainer, les résultats de la coupe ne peuvent être garantis, et vous risquez de provoquer un rebond et de subir une grave blessure.

⚠ **MISE EN GARDE** : Assurez-vous d'avoir remis le bras de blocage sur sa position initiale avant d'effectuer un autre type de coupe que le rainurage. Si vous tentez de faire une coupe alors que le bras de blocage n'est pas dans la bonne position, les résultats de la coupe ne peuvent être garantis, et vous risquez de provoquer un rebond et de subir une grave blessure.

Pour rainurer, procédez comme suit :

1. Ajustez la position limite inférieure de la lame au moyen de la vis de réglage et du bras de blocage pour limiter la profondeur de coupe de la lame. Référez-vous à la section « Bras de blocage » ci-dessus.
2. Après le réglage de la limite inférieure de la lame, pratiquez des rainures parallèles sur la largeur de la pièce, en procédant par coupe en glissière (poussée).



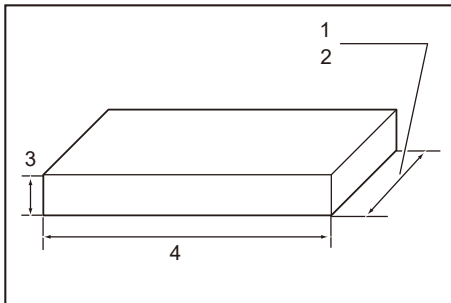
► 1. Rainures pratiquées avec la lame

3. Retirez le matériau resté entre les rainures de la pièce, au moyen d'un ciseau.

Technique pour les capacités de coupe spéciale à largeur maximale

La capacité de coupe à largeur maximale de cet outil peut être obtenue en suivant les étapes ci-dessous : Au sujet de la largeur de coupe maximale de cet outil, reportez-vous à SPÉCIFICATIONS sous « Capacités de coupe pour les coupes spéciales ».

1. Réglez l'outil sur un angle de coupe d'onglet de 0° ou 45°, et assurez-vous que le socle rotatif est verrouillé. (Reportez-vous à la section intitulée « Réglage de l'angle de coupe d'onglet ».)
2. Retirez temporairement et mettez de côté les gardes supérieurs gauche et droit.
3. Découpez une plateforme aux dimensions indiquées sur la figure, dans un matériau plat et de 38 mm (1-1/2") d'épaisseur, tel qu'une planche de bois, une planche de contreplaqué ou un panneau de particule.



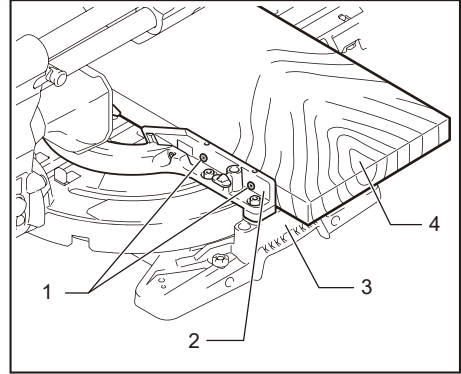
- 1. Angle de coupe d'onglet de 0° : Plus de 450 mm (17-3/4") 2. Angle de coupe d'onglet de 45° : Plus de 325 mm (12-3/4") 3. 38 mm (1-1/2") 4. Plus de 760 mm (30")

MISE EN GARDE : Veillez à utiliser un matériau plat en guise de plateforme. S'il n'est pas plat, le matériau peut bouger pendant la coupe et entraîner un rebond dont peut découler une grave blessure.

NOTE : La capacité de coupe maximale, en hauteur, sera réduite d'une quantité équivalente à l'épaisseur de la plateforme.

4. Mettez la plateforme sur l'outil de sorte qu'elle dépasse de manière égale de chaque côté du socle de l'outil.

Fixez la plateforme à l'outil en posant quatre vis à bois de 6 mm (1/4") dans les quatre orifices des gardes inférieurs.



- 1. Vis (deux de chaque côté) 2. Garde inférieur 3. Socle 4. Plateforme

MISE EN GARDE : Assurez-vous que la plateforme repose à plat contre le socle de l'outil et qu'elle est fixée fermement aux gardes inférieurs à l'aide des quatre orifices filetés prévus à cet effet. Ne pas bien fixer la plateforme peut entraîner du mouvement et un éventuel rebond dont peut résulter une grave blessure.

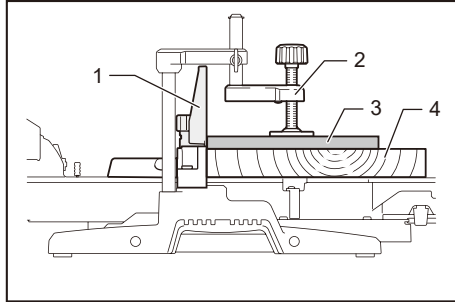
MISE EN GARDE : Assurez-vous que l'outil est fermement monté sur une surface stable et plane. Ne pas bien monter et fixer l'outil peut rendre l'outil instable et entraîner une perte de contrôle et/ou une chute de l'outil dont peut résulter une grave blessure.

5. Posez les deux gardes supérieurs sur l'outil.

MISE EN GARDE : N'utilisez pas l'outil sans poser les gardes supérieurs. Les gardes supérieurs procurent le soutien adéquat nécessaire pour couper la pièce.

Si la pièce n'est pas bien soutenue, elle peut bouger et entraîner une perte de contrôle et un rebond dont peut découler une grave blessure.

6. Mettez la pièce à couper sur la plateforme fixée à l'outil.
7. Avant d'effectuer la coupe, fixez fermement la pièce contre les gardes supérieurs à l'aide d'un étiau.



► 1. Garde supérieur 2. Étau vertical 3. Pièce à travailler 4. Plateforme

8. Coupez lentement à travers la pièce en suivant la procédure intitulée « Coupe en glissière (poussée) (coupe de grandes pièces) ».

▲MISE EN GARDE : Assurez-vous que la pièce est fixée à l'aide de l'étau, et effectuez la coupe lentement. Autrement, la pièce risque de bouger et d'entraîner un éventuel rebond dont peut résulter une grave blessure.

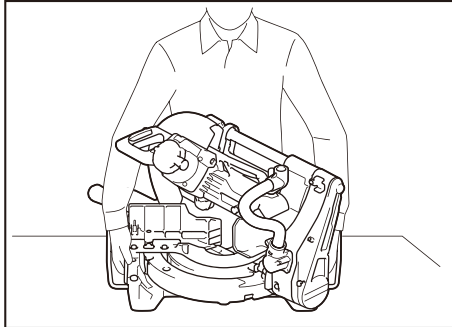
▲MISE EN GARDE : Soyez conscient du fait que la plateforme peut être affaiblie après l'exécution de plusieurs coupes sur divers angles de coupe d'onglet. Si la plateforme est affaiblie par les nombreuses découpes pratiquées dans son matériau, elle doit être remplacée. Si la plateforme affaiblie n'est pas remplacée, il se peut que la pièce bouge pendant la coupe et entraîne un rebond dont peut découler une grave blessure.

Transport de l'outil

Avant de transporter la scie à coupe d'onglet, assurez-vous qu'elle est débranchée et que toutes ses pièces mobiles sont fixées. Vérifiez toujours ce qui suit :

- L'outil est débranché.
- Le chariot est placé sur un angle de coupe en biseau 0° et verrouillé.
- Le chariot est abaissé et verrouillé.
- Le chariot est complètement glissé jusqu'au garde de guidage et verrouillé.
- Le socle rotatif est placé sur l'angle de coupe d'onglet complètement à droite et fixé.
- Les supports sont rangés et fixés.

Transportez l'outil en le tenant par les deux côtés de son socle, tel qu'indiqué sur l'illustration.



▲MISE EN GARDE : La broche de blocage pour l'élévation du chariot est prévue uniquement pour le transport et le rangement, et non pour l'exécution des coupes. L'utilisation de la broche de blocage pour les travaux de coupe peut causer un mouvement inattendu de la lame de scie résultant en un rebond et une grave blessure.

▲ATTENTION : Fixez toujours les composants mobiles de l'outil avant de le transporter. Si des composants de l'outil bougent ou glissent lors de son transport, vous risquez de perdre la maîtrise de l'outil ou l'équilibre, et de vous blesser.

ENTRETIEN

▲MISE EN GARDE : Avant d'entreprendre tout travail d'inspection ou d'entretien sur l'outil, assurez-vous qu'il est éteint et débranché. Ne pas débrancher et éteindre l'outil peut entraîner un démarrage accidentel qui peut causer une grave blessure.

▲MISE EN GARDE : Assurez-vous toujours que la lame est bien affûtée et propre pour qu'elle coupe de manière sûre et optimale. Si vous essayez de couper avec une lame émoussée et/ou sale, il y a un risque de rebond et de grave blessure.

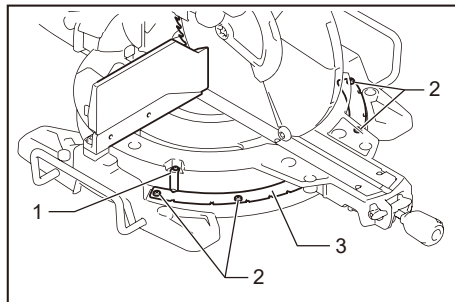
AVIS : N'utilisez jamais d'essence, de benzine, de solvant, d'alcool ou autres produits similaires. Une décoloration, une déformation ou la formation de fissures peuvent en découler.

Réglage de l'angle de coupe

L'outil est soigneusement réglé et aligné en usine, mais cet alignement peut être éventuellement affecté s'il est manipulé avec brutalité. Si l'outil n'est pas bien aligné, suivez la procédure suivante :

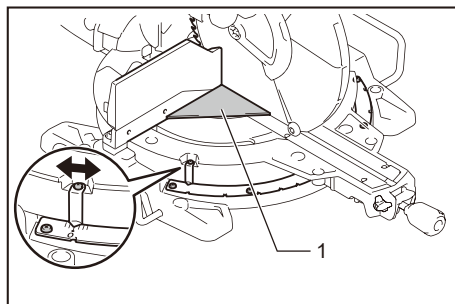
Angle de coupe d'onglet

Descendez complètement la poignée et verrouillez-la en position abaissée avec la broche de blocage. Poussez le chariot vers le garde de guidage. Desserrez le manche et les vis qui retiennent le pointeur et l'échelle d'angle de coupe d'onglet.



- 1. Vis sur le pointeur 2. Vis sur l'échelle d'angle de coupe d'onglet 3. Échelle d'angle de coupe d'onglet

Mettez le socle rotatif sur la position 0° à l'aide de la fonction d'arrêt fixe. Mettez le côté de la lame à angle droit par rapport à la face du garde de guidage, à l'aide d'une règle triangulaire ou d'une équerre de menuisier. Tout en maintenant l'angle droit, serrez les vis sur l'échelle d'angle de coupe d'onglet. Ensuite, alignez les pointeurs (de gauche et de droite) sur la position 0° de l'échelle d'angle de coupe d'onglet, puis serrez la vis sur le pointeur.

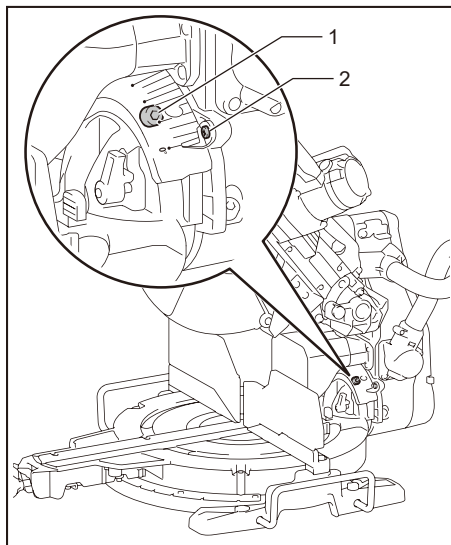


- 1. Règle triangulaire

Angle de coupe en biseau

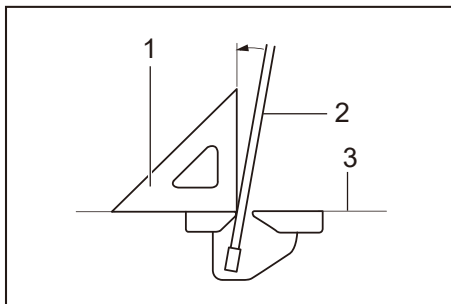
Angle de coupe en biseau 0°

Poussez le chariot vers le garde de guidage et verrouillez le glissement avec la broche de blocage. Descendez complètement la poignée et verrouillez-la en position abaissée avec la broche de blocage, puis desserrez le bouton. Faites faire deux ou trois tours au boulon de réglage 0° dans le sens contraire des aiguilles d'une montre pour incliner la lame vers la droite.



- 1. Boulon de réglage 0° 2. Vis

Mettez soigneusement le côté de la lame à angle droit par rapport à la face supérieure du socle rotatif, à l'aide d'une règle triangulaire, d'une équerre de menuisier, etc., en tournant le boulon de réglage 0° dans le sens des aiguilles d'une montre. Serrez ensuite le bouton fermement pour fixer l'angle 0° que vous avez réglé.



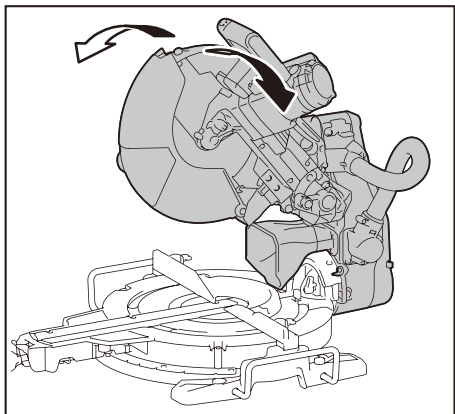
- 1. Règle triangulaire 2. Lame de scie 3. Face supérieure du socle rotatif

Vérifiez encore une fois que le côté de la lame est à angle droit par rapport à la surface du socle rotatif. Desserrez la vis sur le pointeur. Alignez le pointeur sur la position 0° de l'échelle d'angle de coupe en biseau, puis serrez la vis.

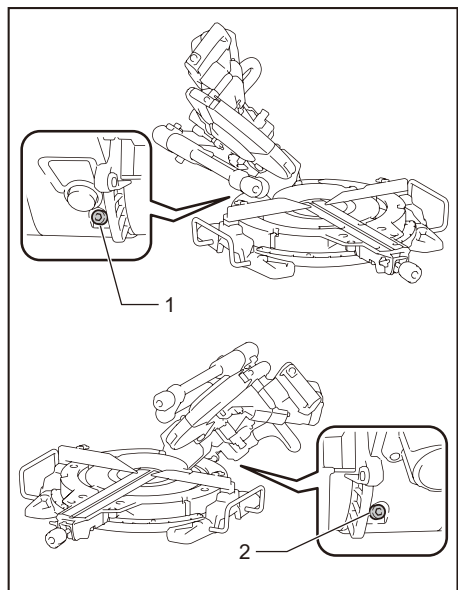
Angle de coupe en biseau 45°

AVIS : Avant de régler l'angle de coupe en biseau 45°, achevez le réglage de l'angle de coupe en biseau 0°.

Desserrez le bouton et inclinez complètement le chariot du côté que vous voulez vérifier. Vérifiez si le pointeur indique la position 45° sur l'échelle d'angle de coupe en biseau.



Si le pointeur n'indique pas la position 45°, alignez-le sur la position 45° en tournant le boulon de réglage du côté opposé de l'échelle d'angle de coupe en biseau.



- 1. Boulon de réglage 45° à gauche 2. Boulon de réglage 45° à droite

Réglage de la position de la raie laser

Pour le modèle LS1219L uniquement

⚠ MISE EN GARDE : L'outil doit être branché pendant le réglage de la raie laser. Soyez extrêmement prudent pour éviter d'allumer l'outil pendant le réglage. Un démarrage accidentel de l'outil risquerait de causer une grave blessure.

⚠ ATTENTION : Ne regardez jamais directement dans le faisceau laser. L'exposition directe des yeux au faisceau peut causer de graves dommages aux yeux.

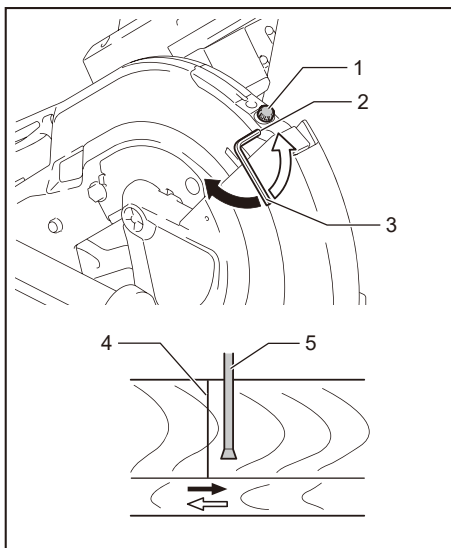
AVIS : Vérifiez régulièrement l'exactitude de la position de la raie laser.

AVIS : Évitez de heurter l'outil. Cela pourrait désaligner la raie laser ou endommager le laser et réduire sa durée de service.

AVIS : Faites réparer l'outil par un centre de service après-vente agréé Makita en cas de panne de l'unité laser.

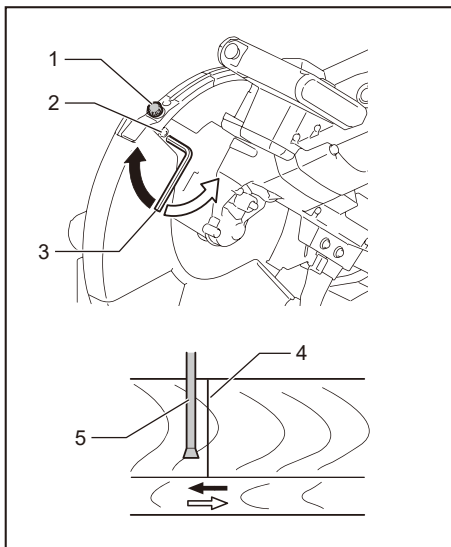
La plage de mouvement de la raie laser dépend des vis de réglage de la plage, des deux côtés. Procédez comme suit pour modifier la position de la raie laser.

1. Débranchez l'outil.
2. Tracez une ligne de coupe sur la pièce à travailler, et mettez cette dernière sur le socle rotatif. Ne fixez pas encore la pièce à travailler avec un étau ou autre dispositif de serrage similaire.
3. Abaissez la poignée et alignez la ligne de coupe sur la lame de scie.
4. Remettez la poignée sur sa position d'origine, et fixez la pièce à travailler avec l'étau vertical de sorte que la pièce ne bouge pas de la position que vous avez établie.
5. Branchez l'outil et mettez l'interrupteur du laser en position de marche.
6. Desserrez la vis de réglage. Pour éloigner la raie laser de la lame, tournez les vis de réglage de la plage dans le sens contraire des aiguilles d'une montre. Pour rapprocher la raie laser de la lame, tournez la vis de réglage de la plage dans le sens des aiguilles d'une montre.



- 1. Vis de réglage 2. Vis de réglage de la plage
3. Clé hexagonale 4. Raie laser 5. Lame de scie

Réglage de la raie laser du côté droit de la lame



- 1. Vis de réglage 2. Vis de réglage de la plage
3. Clé hexagonale 4. Raie laser 5. Lame de scie

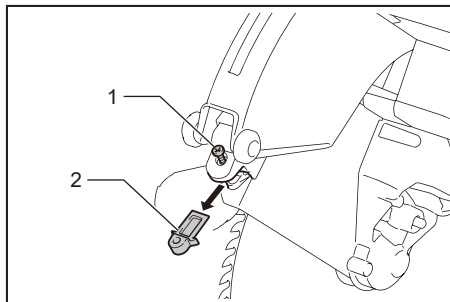
7. Glissez la vis de réglage jusqu'à la position où la raie laser chevauche la ligne de coupe, puis serrez.

NOTE : La plage de mouvement de la raie laser est réglée en usine à 1 mm (0,04") ou moins de la face latérale de la lame.

Nettoyage de la lentille de lumière laser

Pour le modèle LS1219L uniquement

La lumière laser devient difficile à voir lorsque la lentille de lumière laser est sale. Nettoyez régulièrement la lentille de lumière laser.



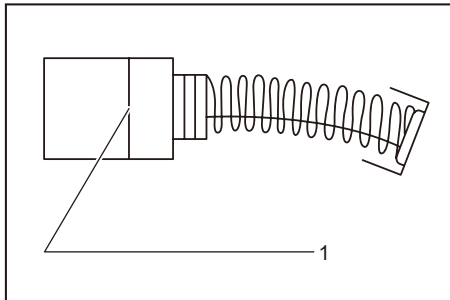
- 1. Vis 2. Lentille

Débranchez l'outil. Desserrez la vis et retirez la lentille. Nettoyez soigneusement la lentille avec un linge doux et humide.

AVIS : Ne retirez pas la vis qui retient la lentille. Si la lentille ne sort pas, desserrez davantage la vis.

AVIS : N'utilisez pas de diluants ou autres nettoyants à base de pétrole sur la lentille.

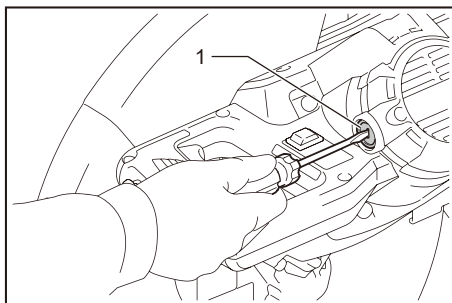
Remplacement des charbons



- 1. Trait de limite d'usure

Retirez et vérifiez les charbons régulièrement. Remplacez-les lorsqu'ils sont usés jusqu'au trait de limite d'usure. Maintenez les charbons propres et en état de glisser aisément dans les porte-charbons. Les deux charbons doivent être remplacés en même temps. N'utilisez que des charbons identiques.

Utilisez un tournevis pour retirer les capuchons de porte-charbon. Enlevez les charbons usés, insérez les neufs et fixez les capuchons de porte-charbon.



► 1. Capuchon de porte-charbon

Après avoir remplacé les charbons, branchez l'outil et rodez-les en faisant fonctionner l'outil à vide pendant environ 10 minutes. Vérifiez ensuite le bon fonctionnement de l'outil, ainsi que l'activation du frein électrique lors de la libération de la gâchette. Si le frein électrique ne fonctionne pas bien, faites réparer l'outil par un centre de service après-vente Makita.

Après l'utilisation

Après l'utilisation, essuyez les copeaux et poussières qui adhèrent à l'outil, au moyen d'un linge ou d'un objet similaire. Maintenez le protège-lame propre en respectant les instructions de la section précédente intitulée « Protège-lame ». Pour prévenir la rouille, lubrifiez les pièces coulissantes avec de l'huile pour machine.

Pour maintenir la SÉCURITÉ et la FIABILITÉ du produit, les réparations et tout autre travail d'entretien ou de réglage doivent être effectués dans un centre de service après-vente autorisé ou une usine Makita, exclusivement avec des pièces de rechange Makita.

ACCESSOIRES EN OPTION

⚠ MISE EN GARDE : Ces accessoires ou pièces complémentaires Makita sont recommandés pour l'utilisation avec l'outil Makita spécifié dans ce manuel. L'utilisation de tout autre accessoire ou pièce complémentaire peut entraîner une grave blessure.

⚠ MISE EN GARDE : N'utilisez les accessoires ou pièces complémentaires Makita qu'aux fins auxquelles ils ont été conçus. L'utilisation inadéquate d'un accessoire ou d'une pièce complémentaire peut entraîner une grave blessure.

Si vous désirez obtenir plus de détails sur ces accessoires, veuillez contacter le centre de service après-vente Makita le plus près.

- Lames de scie en acier et à dents en carbure de tungstène
- Étau vertical
- Étau horizontal
- Ensemble de butées de moulure couronnée
- Sac à poussières

- Règle triangulaire
- Clé hexagonale
- Clé hexagonale (pour LS1219L)

NOTE : Certains éléments de la liste peuvent être inclus avec l'outil comme accessoires standards. Ils peuvent varier suivant les pays.

GARANTIE LIMITÉE MAKITA

Pour les conditions de garantie en vigueur qui s'appliquent à ce produit, veuillez vous reporter à la feuille de garantie en annexe. Si la feuille de garantie en annexe n'est pas disponible, reportez-vous aux détails de la garantie présentés sur le site Web de votre pays, ci-dessous.

États-Unis d'Amérique: www.makitatools.com

Canada: www.makita.ca

Autres pays: www.makita.com

ESPECIFICACIONES

Modelo:	LS1219	LS1219L
Especificaciones eléctricas en México	120 V ~ 15 A 50/60 Hz	
Diámetro del disco	305 mm (12")	
Diámetro del orificio	25,4 mm (1")	
Ancho de corte máx. del disco de la sierra	3,2 mm (1/8")	
Ángulo de inglete máximo	Derecho 60°, Izquierdo 60°	
Ángulo de bisel máximo	Derecho 48°, Izquierdo 48°	
Velocidad sin carga (r.p.m.)	3 200 r/min	
Tipo de láser	-	Longitud de onda 655 nm, Salida máxima < 1 mW (láser Clase II)
Dimensiones (La x An x Al)	898 mm x 664 mm x 725 mm (35-1/4" x 26-1/8" x 28-1/2")	
Peso neto	29,3 kg (64,6 lbs)	29,5 kg (65,0 lbs)

Capacidades de corte (AI x An)

Ángulo de inglete		Ángulo de bisel			
		45° (izquierdo)	0°	45° (derecho)	
0°	-	61 mm x 382 mm (2-3/8" x 15") 71 mm x 363 mm (2-13/16" x 14-1/4")	92 mm x 382 mm (3-5/8" x 15") 107 mm x 363 mm (4-1/4" x 14-1/4")	44 mm x 382 mm (1-3/4" x 15") 54 mm x 363 mm (2-1/8" x 14-1/4")	
	Grosor del elemento auxiliar de madera en la guía lateral para una mayor altura de corte	20 mm (13/16")	78 mm x 325 mm (3-1/16" x 12-3/4")	115 mm x 325 mm (4-1/2" x 12-3/4")	61 mm x 325 mm (2-3/8" x 12-3/4")
		38 mm (1-1/2")	80 mm x 292 mm (3-1/8" x 11-1/2")	120 mm x 292 mm (4-3/4" x 11-1/2")	-
45° (derecho e izquierdo)	-	61 mm x 268 mm (2-3/8" x 10-1/2") 71 mm x 255 mm (2-13/16" x 10")	92 mm x 268 mm (3-5/8" x 10-1/2") 107 mm x 255 mm (4-1/4" x 10")	44 mm x 268 mm (1-3/4" x 10-1/2") 54 mm x 255 mm (2-1/8" x 10")	
	Grosor del elemento auxiliar de madera en la guía lateral para una mayor altura de corte	15 mm (9/16")	-	115 mm x 227 mm (4-1/2" x 8-15/16")	-
		25 mm (1")	120 mm x 212 mm (4-3/4" x 8-3/8")	-	
60° (derecho e izquierdo)	-	-	92 mm x 185 mm (3-5/8" x 7-1/4") 107 mm x 178 mm (4-1/4" x 7")	-	
	Grosor del elemento auxiliar de madera en la guía lateral para una mayor altura de corte	15 mm (9/16")	115 mm x 155 mm (4-1/2" x 6-1/8")	-	
		25 mm (1")	120 mm x 140 mm (4-3/4" x 5-1/2")	-	

Capacidades de corte especiales

Tipo de corte	Capacidad de corte
Moldura tipo corona de 45° (usando el tope para moldura de corona)	203 mm (8")
Zócalo (usando la prensa horizontal)	171 mm (6-3/4")

- Debido a nuestro programa continuo de investigación y desarrollo, las especificaciones aquí dadas están sujetas a cambios sin previo aviso.
- Las especificaciones pueden variar de país a país.
- Peso de acuerdo con el procedimiento 01/2014 de EPTA

ADVERTENCIAS DE SEGURIDAD

Advertencias generales de seguridad para herramientas eléctricas

⚠️ ADVERTENCIA: Lea todas las advertencias de seguridad, instrucciones, ilustraciones y especificaciones suministradas con esta herramienta eléctrica. El no seguir todas las instrucciones indicadas a continuación podría ocasionar una descarga eléctrica, incendio y/o lesiones graves.

Conserve todas las advertencias e instrucciones como referencia en el futuro.

En las advertencias, el término "herramienta eléctrica" se refiere a su herramienta eléctrica de funcionamiento con conexión a la red eléctrica (con cableado eléctrico) o herramienta eléctrica de funcionamiento a batería (inalámbrica).

Seguridad en el área de trabajo

1. **Mantenga el área de trabajo limpia y bien iluminada.** Las áreas oscuras o desordenadas son propensas a accidentes.
2. **No utilice las herramientas eléctricas en atmósferas explosivas, tal como en la presencia de líquidos, gases o polvo inflamables.** Las herramientas eléctricas crean chispas que pueden prender fuego al polvo o los humos.
3. **Mantenga a los niños y espectadores alejados mientras utiliza una herramienta eléctrica.** Las distracciones le pueden hacer perder el control.

Seguridad eléctrica

1. **Las clavijas de las herramientas eléctricas deben encajar perfectamente en la toma de corriente. Nunca modifique la clavija en ninguna forma. No utilice ninguna clavija adaptadora con herramientas eléctricas que tengan conexión a tierra (puesta a tierra).** El uso de clavijas no modificadas y que encajen perfectamente en la toma de corriente reducirá el riesgo de que se produzca una descarga eléctrica.
2. **Evite el contacto del cuerpo con superficies conectadas a tierra o puestas a tierra tales como tubos, radiadores, cocinas y refrigeradores.** Si su cuerpo es puesto a tierra o conectado a tierra existirá un mayor riesgo de que sufra una descarga eléctrica.
3. **No exponga las herramientas eléctricas a la lluvia ni a condiciones de humedad.** La entrada de agua en una herramienta eléctrica aumentará el riesgo de que se produzca una descarga eléctrica.
4. **No maltrate el cable. Nunca utilice el cable para transportar, jalar o desconectar la herramienta eléctrica. Mantenga el cable alejado del calor, el aceite, los bordes filosos o las piezas móviles.** Los cables dañados o enredados aumentan el riesgo de que se produzca una descarga eléctrica.

5. **Quando use una herramienta eléctrica en exteriores, utilice un cable de extensión apropiado para uso en exteriores.** El uso de un cable apropiado para uso en exteriores reducirá el riesgo de que se produzca una descarga eléctrica.
6. **Si no es posible evitar usar una herramienta eléctrica en condiciones de humedad, utilice un suministro protegido con dispositivo de corriente residual (DCR).** El uso de un DCR reduce el riesgo de una descarga eléctrica.
7. **Las herramientas eléctricas pueden producir campos electromagnéticos (CEM) que no son dañinos para el usuario.** Sin embargo, si los usuarios tienen marcapasos y otros dispositivos médicos similares, deberán consultar al fabricante de su dispositivo y/o a su médico antes de operar esta herramienta eléctrica.
8. **No toque la clavija de conexión con las manos húmedas.**
9. **Si el cable está dañado, solicite al fabricante o a su representante que lo reemplace para evitar un riesgo relacionado con la seguridad.**

Seguridad personal

1. **Manténgase alerta, preste atención a lo que está haciendo y utilice su sentido común cuando opere una herramienta eléctrica. No utilice la herramienta eléctrica cuando esté cansado o bajo la influencia de drogas, alcohol o medicamentos.** Un momento de distracción mientras opera las herramientas eléctricas podría ocasionar lesiones personales graves.
2. **Use equipo de protección personal. Utilice siempre protección para los ojos.** Un equipo protector tal como máscara contra el polvo, zapatos de seguridad antiderrapantes, casco rígido y protección para oídos utilizado en las condiciones apropiadas reducirá las lesiones personales.
3. **Evite un arranque accidental. Asegúrese de que el interruptor esté en la posición de apagado antes de conectar a la alimentación eléctrica y/o colocar el paquete de baterías, así como al levantar o transportar la herramienta.** Transportar las herramientas eléctricas con su dedo en el interruptor o enchufarlas con el interruptor encendido podría ocasionar accidentes.
4. **Retire cualquier llave de ajuste o llave de apriete antes de encender la herramienta.** Una llave de ajuste o llave de apriete que se haya dejado puesta en una pieza giratoria de la herramienta eléctrica podría ocasionar lesiones personales.
5. **No utilice la herramienta donde no alcance. Mantenga los pies sobre suelo firme y el equilibrio en todo momento.** Esto permitirá tener un mejor control sobre la herramienta eléctrica en situaciones inesperadas.
6. **Use una vestimenta apropiada. No use ropa suelta ni alhajas. Mantenga el cabello, la ropa y los guantes alejados de las piezas móviles.** Las prendas de vestir holgadas, las alhajas y el cabello largo suelto podrían engancharse en estas piezas móviles.

7. Si dispone de dispositivos para la conexión de equipos de extracción y recolección de polvo, asegúrese de conectarlos y utilizarlos debidamente. El uso de estos dispositivos reduce los riesgos relacionados con el polvo.
8. **No permita que la familiaridad adquirida debido al uso frecuente de las herramientas haga que se sienta confiado e ignore los principios de seguridad de las herramientas.** Un descuido podría ocasionar una lesión grave en una fracción de segundo.
9. **Utilice siempre gafas protectoras para proteger sus ojos de lesiones al usar herramientas eléctricas.** Las gafas deben cumplir con la Norma ANSI Z87.1 en EUA. Es responsabilidad del empleador imponer el uso de equipos protectores de seguridad apropiados a los operadores de la herramienta y demás personas cerca del área de trabajo.
8. **Mantenga las empuñaduras y superficies de asimiento secas, limpias y libres de aceite o grasa.** Las empuñaduras y superficies de asimiento resbalosas no permiten una manipulación segura ni el control de la herramienta en situaciones inesperadas.
9. **Cuando vaya a utilizar esta herramienta, evite usar guantes de trabajo de tela ya que éstos podrían atorarse.** Si los guantes de trabajo de tela llegaran a atorarse en las piezas móviles, esto podría ocasionar lesiones personales.

Servicio

1. **Haga que una persona calificada repare la herramienta utilizando sólo piezas de repuesto idénticas.** Esto garantizará que se mantenga la seguridad de la herramienta eléctrica.
2. **Siga las instrucciones para la lubricación y cambio de accesorios.**

Instrucciones adicionales

1. **Para reducir el riesgo de descarga eléctrica, este equipo cuenta con una clavija polarizada (una pata es más amplia o ancha que la otra). Esta clavija encajará perfectamente en una toma de corriente polarizada solamente de una manera. Si la clavija no encaja perfectamente en la toma de corriente, invierta la clavija. Si aun así no encaja, póngase en contacto con un electricista calificado para que le instale una toma de corriente apropiada. No modifique la clavija en ninguna forma.**
2. **ADVERTENCIA SOBRE EL VOLTAJE:** Antes de conectar la herramienta a una fuente de alimentación (receptáculo, toma de corriente, etc.), asegúrese de que el voltaje suministrado sea igual al especificado en la placa de características de la herramienta. Una fuente de alimentación con un voltaje mayor al especificado para la herramienta podría ocasionar LESIONES GRAVES al usuario, así como daños a la herramienta. Si tiene dudas, **NO CONECTE LA HERRAMIENTA.** El utilizar una fuente de alimentación con un voltaje menor a la capacidad nominal indicada en la placa de características podría causar daños al motor.
3. **USE UN CABLE DE EXTENSIÓN APROPIADO.** Asegúrese de que su cable de extensión esté en buenas condiciones. Cuando utilice un cable de extensión, asegúrese de usar uno lo suficientemente pesado para conducir la corriente que su producto consumirá. Un cable de menor calibre causará una caída en la línea de voltaje ocasionando la pérdida de potencia y sobrecalentamiento. La tabla 1 muestra la medida correcta que debe usarse en función de la longitud del cable y el amperaje nominal indicado en la placa de características. Si no está seguro, utilice el siguiente calibre más alto. Mientras más pequeño sea el número de calibre, más corriente podrá conducir el cable.

Mantenimiento y uso de la herramienta eléctrica

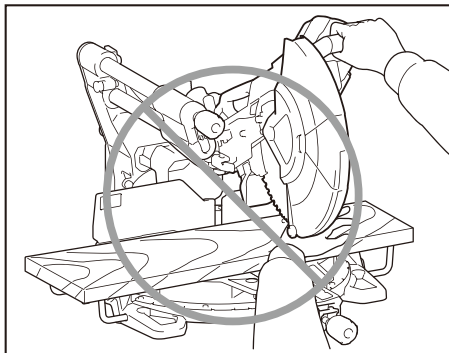
1. **No fuerce la herramienta eléctrica. Utilice la herramienta eléctrica correcta para su aplicación.** La herramienta eléctrica correcta hará un mejor trabajo de manera más segura a la velocidad para la que fue diseñada.
2. **No utilice la herramienta eléctrica si el interruptor no la enciende ni apaga.** Cualquier herramienta eléctrica que no pueda ser controlada con el interruptor es peligrosa y deberá ser reparada.
3. **Desconecte la clavija de la fuente de alimentación y/o retire la BATERÍA de la herramienta eléctrica, en caso de ser removible, antes de realizar ajustes, cambiar accesorios o almacenar las herramientas eléctricas.** Tales medidas de seguridad preventivas reducirán el riesgo de poner en marcha la herramienta eléctrica de forma accidental.
4. **Almacene las herramientas eléctricas cuando no se vayan a utilizar fuera del alcance de los niños y no permita que las personas que no estén familiarizadas con ellas o con las instrucciones las operen.** Las herramientas eléctricas son peligrosas en manos de usuarios inexpertos.
5. **Dé mantenimiento a las herramientas eléctricas y los accesorios.** Compruebe que no haya piezas móviles desalineadas o estancadas, piezas rotas y cualquier otra condición que pueda afectar al funcionamiento de la herramienta eléctrica. Si la herramienta eléctrica está dañada, haga que la reparen antes de utilizarla. Muchos de los accidentes son ocasionados por herramientas eléctricas que no han recibido un mantenimiento adecuado.
6. **Mantenga las herramientas de corte limpias y afiladas.** Las herramientas de corte que reciben un mantenimiento adecuado y tienen los bordes afilados tienen una menor probabilidad de quedar atascadas y son más fáciles de controlar.
7. **Utilice la herramienta eléctrica, así como los accesorios y puntas, etc. de acuerdo con estas instrucciones, tomando en cuenta las condiciones laborales y el trabajo a realizar.** Si utiliza la herramienta eléctrica para realizar operaciones distintas de las indicadas, podría presentarse una situación peligrosa.

Tabla 1: Calibrado mínimo para el cable

Amperaje nominal		Voltios	Longitud total del cable en metros			
		120 V ~	7 m (25 ft.)	15 m (50 ft.)	30 m (100 ft.)	45,7 m (150 ft.)
Más de	No más de	Calibre del cable (AWG)				
0 A	6 A	-	18	16	16	14
6 A	10 A		18	16	14	12
10 A	12 A		16	16	14	12
12 A	16 A		14	12	No se recomienda	

Instrucciones de seguridad para sierras de inglete

1. **Las sierras de inglete están diseñadas para cortar madera o productos parecidos a la madera, éstas no pueden utilizarse con ruedas cortadoras abrasivas para cortar materiales ferrosos tales como barras, varillas, montantes, etc.** El polvo abrasivo causa que las piezas móviles, tal como el protector inferior, se atasquen. Las chispas del corte abrasivo quemarán el protector inferior, el inserto de corte y otras piezas de plástico.
2. **Siempre que sea posible, utilice abrazaderas para sujetar la pieza de trabajo. Si utiliza su mano para sostener la pieza de trabajo, deberá siempre mantenerla a por lo menos 100 mm de distancia de ambos lados del disco de la sierra. No utilice esta sierra para cortar pedazos que sean demasiado pequeños para ser sujetos firmemente con abrazaderas o sostenidos con la mano.** El colocar su mano demasiado cerca del disco de la sierra incrementará el riesgo de lesiones a causa del contacto con el disco.
3. **La pieza de trabajo deberá estar fija y firmemente sujeta o sostenida contra la guía y la mesa. No alimente la pieza de trabajo en el disco ni corte "a pulso" de ninguna manera.** Las piezas de trabajo que no estén sujetas o se muevan podrían salir disparadas a altas velocidades ocasionando lesiones.
4. **Empuje la sierra a través de la pieza de trabajo. No jale la sierra a través de la pieza de trabajo. Para realizar un corte, levante la cabeza de la sierra y júlela hacia afuera sobre la pieza de trabajo sin cortar, ponga en marcha el motor, presione hacia abajo la cabeza de la sierra y empuje la sierra a través de la pieza de trabajo.** El cortar durante el trayecto de jalado podría causar que el disco de la sierra saltara por encima de la pieza de trabajo y que el conjunto del disco saliera disparado violentamente hacia el operador.
5. **Nunca cruce su mano sobre la línea de corte prevista, ni por delante ni por detrás del disco de la sierra.** Nunca sujete la pieza de trabajo con "la mano cruzada", es decir, sosteniendo la pieza de trabajo a la derecha del disco de la sierra con su mano izquierda y viceversa, ya que podría resultar muy peligroso.



6. **No acerque las manos por detrás de la guía a más de 100 mm de distancia de ambos lados del disco de la sierra para extraer restos de madera ni por ninguna otra razón mientras el disco esté girando.** La proximidad entre el disco de la sierra que está girando y su mano podría no ser obvia y ocasionarle una lesión grave.
7. **Inspeccione su pieza de trabajo antes de cortar. Si la pieza de trabajo está doblada o torcida, sujétela con la parte arqueada exterior orientada hacia la guía. Asegúrese siempre de que no haya ningún espacio entre la pieza de trabajo, la guía y la mesa a lo largo de la línea de corte.** Las piezas de trabajo dobladas o torcidas podrían voltearse o desplazarse y causar que el disco de la sierra que está girando se atore mientras corta. En la pieza de trabajo no debe haber clavos ni objetos extraños.
8. **No utilice la sierra hasta que la mesa haya sido despejada y no haya ninguna herramienta, restos de madera, etc., salvo la pieza de trabajo.** Los residuos pequeños o trozos de madera sueltos u otros objetos que estén en contacto con el disco giratorio podrían salir disparados a alta velocidad.
9. **Sólo corte una pieza de trabajo a la vez.** El tener varias piezas de trabajo apiladas no permite sujetarlas o sostenerlas adecuadamente pudiendo ocasionar que se atoraran en el disco o se desplazaran durante el corte.
10. **Asegúrese de que la sierra de inglete esté instalada o colocada sobre una superficie de trabajo nivelada y firme antes de utilizarla.** Una superficie de trabajo nivelada y firme reduce el riesgo de que la sierra de inglete se vuelva inestable.

11. **Planifique su trabajo. Cada vez que cambie la posición del ángulo de bisel o de inglete, asegúrese de que la guía ajustable esté colocada correctamente para sostener la pieza de trabajo y que no obstaculice el disco o el sistema de protección.** Sin encender la herramienta y sin ninguna pieza de trabajo sobre la mesa, desplace el disco de la sierra simulando un corte completo para asegurarse de que no habrá ningún obstáculo ni peligro de cortar la guía.
12. **Proporcione un apoyo adecuado, tal como extensiones para la mesa, caballetes de aserrado, etc. para las piezas de trabajo más anchas o largas que la superficie de la mesa.** Las piezas de trabajo más largas o anchas que la mesa de la sierra de inglete pueden volcarse si no están bien apoyadas. Si la pieza de corte o la pieza de trabajo llegara a volcarse, ésta podría levantar el protector inferior o ser lanzada por el disco que está girando.
13. **No use a otra persona como sustituto de una extensión de la mesa o como apoyo adicional.** Un apoyo inestable para la pieza de trabajo podría causar que el disco se atascara o que la pieza de trabajo se desplazara durante la operación de corte jalándolo a usted y a su ayudante hacia el disco que está girando.
14. **La pieza de corte no debe atascarse ni ser presionada en ninguna forma contra el disco de la sierra que está girando.** Si el espacio es reducido, por ej., al usar topes de longitud, la pieza de corte podría quedar atrapada contra el disco y salir disparada violentamente.
15. **Utilice siempre una abrazadera o algún accesorio diseñado para apoyar adecuadamente materiales redondos tales como varillas o tubos.** Las varillas tienden a rodar mientras se cortan, causando que el disco se "enganche" y jale la pieza de trabajo y su mano hacia el mismo.
16. **Permita que el disco alcance su velocidad completa antes de que entre en contacto con la pieza de trabajo.** Esto reducirá el riesgo de que la pieza de trabajo salga disparada.
17. **Si la pieza de trabajo o el disco llega a atascarse, apague la sierra de inglete. Espere a que todas las piezas móviles se detengan y desconecte la clavija de la fuente de alimentación y/o retire la batería. Luego proceda a liberar el material atascado.** El continuar cortando con una pieza de trabajo atascada podría ocasionar la pérdida de control o causar daños a la sierra de inglete.
18. **Una vez completado el corte, suelte el interruptor, sujete la sierra con la cabeza hacia abajo y espere a que el disco se detenga antes de retirar la pieza de corte.** El acercar su mano al disco mientras éste sigue girando por inercia es peligroso.
19. **Sujete la empuñadura firmemente cuando realice un corte incompleto o cuando suelte el interruptor antes de haber colocado totalmente hacia abajo la cabeza de la sierra.** La acción de frenado de la sierra podría causar que la cabeza de la sierra sea repentinamente jalada hacia abajo pudiendo ocasionar una lesión.
20. **Use solamente un disco de la sierra cuyo diámetro esté marcado en la herramienta o especificado en el manual.** El uso de un disco de tamaño incorrecto puede afectar la protección adecuada del disco o la operación del protector y ocasionar lesiones personales graves.
21. **Utilice únicamente los discos de la sierra marcados con una velocidad igual o mayor a la velocidad marcada en la herramienta.**
22. **Seleccione siempre el disco de la sierra correcto para el material que va a cortar. No utilice el disco de la sierra para cortar otros materiales distintos a los especificados.**
23. **La sierra puede cortar madera, aluminio o materiales similares siempre que se utilice un disco de la sierra apropiado para el material. No utilice la sierra para cortar otros materiales incluido magnesio, acero y hierro.**

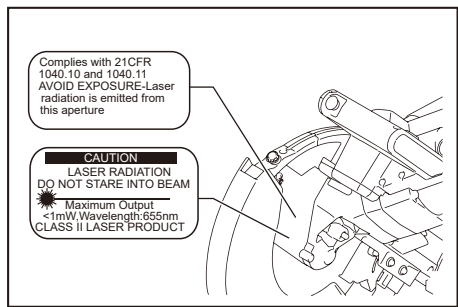
Instrucciones adicionales

1. **Mantenga el taller a prueba de niños usando candados.**
2. **Nunca se pare sobre la herramienta.** El volcar la herramienta o tocar accidentalmente la herramienta de corte podría ocasionar lesiones graves.
3. **Nunca deje la herramienta desatendida mientras esté en marcha. Desconecte la alimentación. No deje la herramienta hasta que se haya detenido completamente.**
4. **No utilice la sierra sin los protectores puestas. Verifique que el protector del disco cierre debidamente antes de cada uso. No utilice la sierra si el protector del disco no se mueve libremente y se cierra instantáneamente. No sujete ni ate el protector del disco en la posición abierta.**
5. **Mantenga las manos alejadas de la trayectoria del disco de la sierra. Evite el contacto con cualquier disco que esté girando por inercia. Aún puede ocasionarle heridas graves.**
6. **Para reducir el riesgo de lesiones, vuelva a poner el carro en la posición completamente hacia atrás después de cada operación de corte transversal.**
7. **Asegúrese siempre de que todas las partes móviles se encuentran fijas antes de transportar la herramienta.**
8. **La clavija de retención que bloquea el cabezal de corte en posición hacia abajo es solamente para transportar y almacenar la herramienta y no para ninguna operación de corte.**
9. **Inspeccione el disco cuidadosamente para ver si tiene grietas o daños antes de comenzar la operación. Reemplace el disco inmediatamente si está agrietado o dañado. El pegamento y la resina de madera endurecidas en los discos frenan la sierra y aumentan las posibilidades de que se produzcan retrocesos bruscos. Mantenga el disco limpio desmontándolo primero de la herramienta, y limpiándolo después con un producto para quitar pegamento y resina, agua caliente o queroseno. Nunca utilice gasolina para limpiar el disco.**

10. Al realizar un corte por deslizamiento, puede producirse un **RETROCESO BRUSCO**. Los **RETROCESOS BRUSCOS** ocurren cuando el disco se trava en la pieza de trabajo durante una operación de corte y es impulsado rápidamente hacia el operador. El resultado puede ser la pérdida de control y lesiones graves. Si el disco comienza a trabarse durante una operación de corte, no continúe cortando y suelte el interruptor inmediatamente.
11. Utilice solamente las bridas especificadas para esta herramienta.
12. Tenga cuidado de no dañar el eje, las bridas (especialmente la superficie de instalación) ni el perno. Los daños en estas piezas podrían provocar la ruptura del disco.
13. Asegúrese de que la base giratoria esté debidamente asegurada de forma que no se mueva durante la operación. Utilice los orificios de la base para sujetar la sierra a una plataforma o banco de trabajo estable. **NUNCA** utilice la herramienta donde la posición del operador vaya a resultar incómoda.
14. Asegúrese de que el bloqueo de eje esté suelto antes de activar el interruptor.
15. Asegúrese de que el disco no esté en contacto con la base giratoria en la posición más baja.
16. Sostenga firmemente la empuñadura. Tenga en cuenta que la sierra se mueve levemente hacia arriba o hacia abajo al iniciar y al detener el funcionamiento.
17. Asegúrese de que el disco no esté haciendo contacto con la pieza de trabajo antes de activar el interruptor.
18. Antes de utilizar la herramienta en una pieza de trabajo definitiva, déjela funcionar durante un rato. Observe si hay vibración o bamboleo que pueda indicar una instalación incorrecta o un desequilibrio del disco.
19. Pare la operación inmediatamente si nota algo anormal.
20. No intente bloquear el gatillo en la posición activada.
21. Utilice los accesorios recomendados en este manual. El uso de accesorios inapropiados tales como discos abrasivos podría ocasionar lesiones.
22. Algunos materiales contienen sustancias químicas que pueden ser tóxicas. Tome precauciones para evitar la inhalación de polvo y el contacto con la piel. Consulte la hoja de seguridad de materiales del proveedor.



Normas de seguridad adicionales para el láser

1. **RADIACIÓN LÁSER - NO FIJE LA VISTA EN EL RAYO.**
2. **EVITE LA EXPOSICIÓN - LA RADIACIÓN LÁSER ES EMITIDA DESDE LA ABERTURA.**
3. **EL USO DE LOS CONTROLES O AJUSTES O LA REALIZACIÓN DE PROCEDIMIENTOS EN FORMA DISTINTA A LA ESPECIFICADA EN ESTE MANUAL PODRÍA PROVOCAR UNA EXPOSICIÓN PELIGROSA A LA RADIACIÓN.**

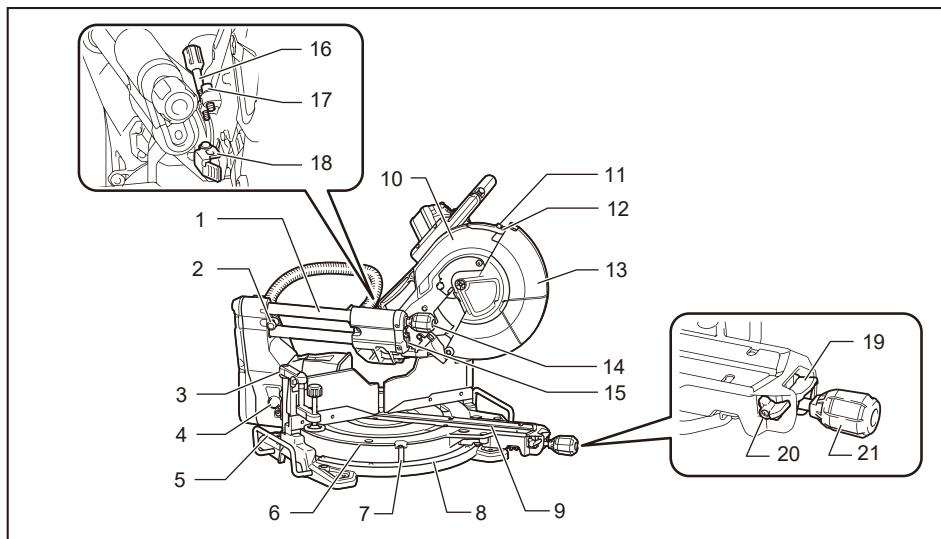


Símbolos

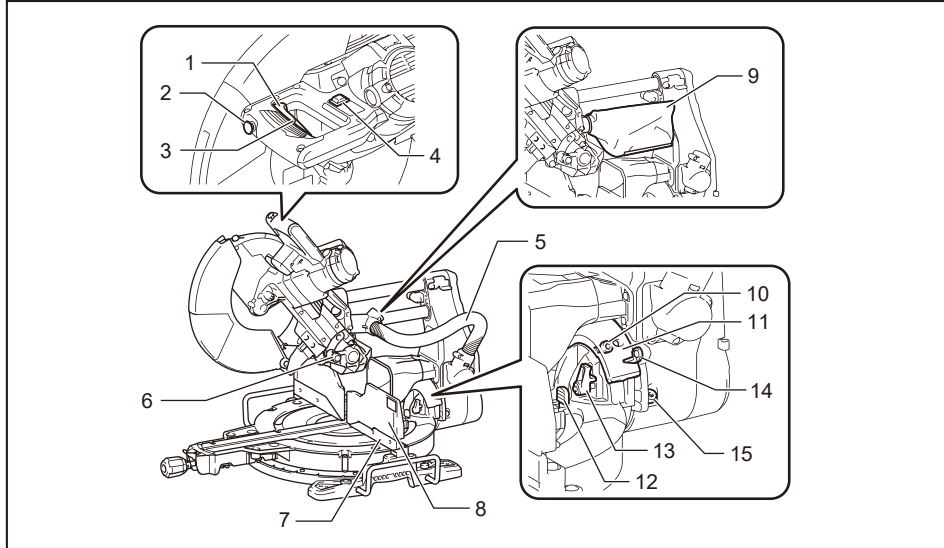
A continuación se muestran los símbolos utilizados para la herramienta.

V	volts o voltios
A	amperes
Hz	hertz
n_0	velocidad sin carga
~	corriente alterna
	Construcción clase II
... /min r /min	revoluciones o alternaciones por minuto, frecuencia de rotación
	No coloque la mano ni los dedos cerca del disco.

DESCRIPCIÓN DE LAS PIEZAS



1	Soporte de corredera	2	Clavija de retención (para el deslizamiento del carro)	3	Prensa vertical	4	Botón de liberación (para el ángulo de bisel del lado derecho)
5	Soporte	6	Base giratoria	7	Marcador (para el ángulo de inglete)	8	Escala del ángulo de inglete
9	Panel de corte	10	Caja del disco	11	Tornillo de ajuste (para la línea de láser)	12	Tornillo de ajuste de rango (para la línea de láser)
13	Protector del disco	14	Pomo (para el ángulo de bisel)	15	Llave hexagonal	16	Tornillo de ajuste (para la posición del límite inferior)
17	Perno de ajuste (para la máxima capacidad de corte)	18	Brazo de retención	19	Palanca de bloqueo (para la base giratoria)	20	Palanca de liberación (para la base giratoria)
21	Perilla (para la base giratoria)	-	-	-	-	-	-

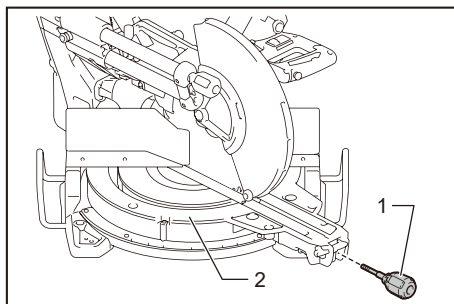


1	Gatillo interruptor	2	Botón de desbloqueo	3	Orificio para el candado	4	Interruptor (para la línea de láser)
5	Manguera (para la extracción de polvo)	6	Clavija de retención (para la elevación del carro)	7	Guía lateral (guía inferior)	8	Guía lateral (guía superior)
9	Bolsa recolectora de polvo	10	Perno de ajuste de 0° (para el ángulo de bisel)	11	Escala del ángulo de bisel	12	Palanca de liberación (para el ángulo de bisel de 48°)
13	Palanca de la aldabilla (para el ángulo de bisel)	14	Marcador (para el ángulo de bisel)	15	Perno de ajuste de 45° (para el ángulo de bisel)	-	-

INSTALACIÓN

Instalación de la perilla

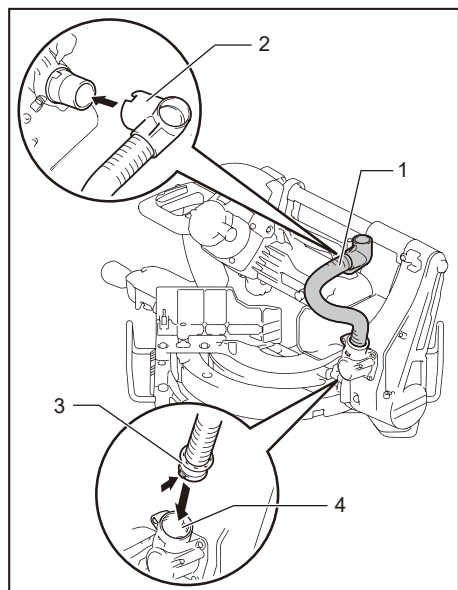
Atornille el eje roscado de la perilla en la base giratoria.



► 1. Perilla 2. Base giratoria

Instalación de la manguera de extracción de polvo

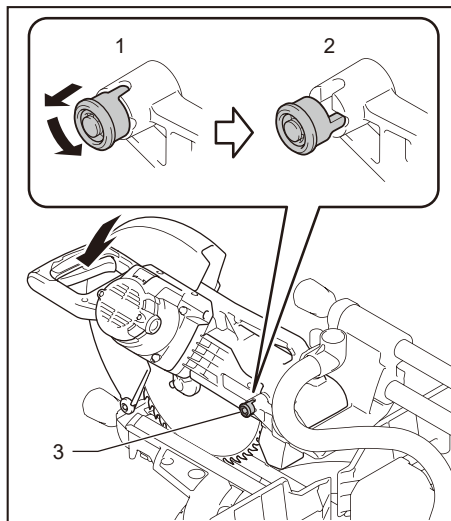
Conecte la manguera de extracción de polvo a la herramienta tal como se muestra en la ilustración. Asegúrese de que el codo y el manguito encajen correctamente en los puertos de la herramienta.



- 1. Manguera de extracción de polvo 2. Codo
3. Manguito 4. Puerto

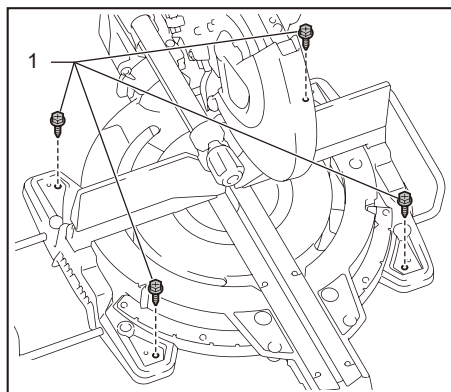
Montaje en un banco de trabajo

Cuando la herramienta sale de fábrica, la empuñadura es bloqueada en la posición hacia abajo por la clavija de retención. Mientras baja ligeramente la empuñadura, jale la clavija de retención y gírela 90°.



- 1. Posición bloqueada 2. Posición desbloqueada
3. Clavija de retención

Esta herramienta debe fijarse con cuatro pernos a una superficie nivelada y estable usando los orificios para pernos provistos en la base de la herramienta. Esto ayudará a evitar que la herramienta se vuelque y provoque lesiones.



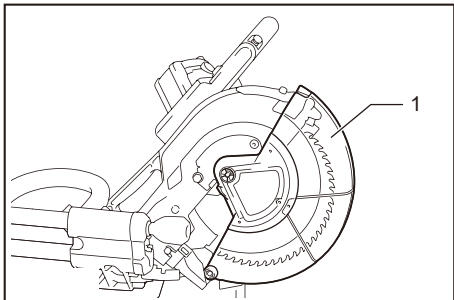
- 1. Perno

⚠ ADVERTENCIA: Asegúrese de que la herramienta no se mueva sobre la superficie de apoyo. El movimiento de la sierra de inglete sobre la superficie de apoyo mientras se realiza un corte podría ocasionar la pérdida del control causando lesiones personales graves.

DESCRIPCIÓN DEL FUNCIONAMIENTO

⚠ADVERTENCIA: Asegúrese siempre de que la herramienta sea apagada y desconectada antes de realizar cualquier ajuste o revisión del funcionamiento de la herramienta. El no apagar y desconectar la herramienta podría ocasionar lesiones personales graves a causa de un arranque accidental.

Protector del disco



► 1. Protector del disco

Al bajar la empuñadura, el protector del disco se levanta automáticamente. El protector del disco es accionado por resorte, por lo que éste regresará a su posición original al terminar de realizar el corte y la empuñadura sea levantada.

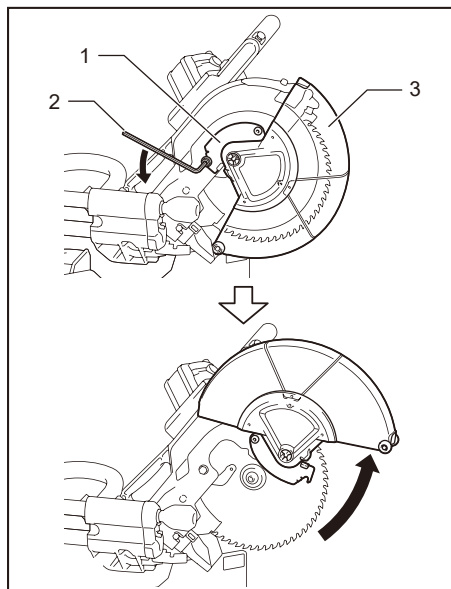
⚠ADVERTENCIA: Nunca inhabilite o quite el protector del disco, ni el resorte que lo fija. Un disco expuesto como resultado de inhabilitar el protector puede causar graves lesiones personales durante la operación.

Con el fin de garantizar su seguridad personal, mantenga siempre el protector del disco en buen estado. Cualquier operación irregular del protector del disco deberá ser corregida de inmediato. Asegúrese de comprobar la acción de regreso del protector mediante el resorte.

⚠ADVERTENCIA: Nunca use la herramienta si el protector del disco o el resorte están dañados, defectuosos o hacen falta. La operación de la herramienta con algún daño o defecto en el protector o si éste hace falta puede causar lesiones personales graves.

Si el protector del disco se encuentra sucio, o si el aserrín se adhiere de tal forma que cause que el disco y/o la pieza de trabajo ya no puedan verse fácilmente, desconecte la sierra y limpie cuidadosamente el protector con un paño húmedo. No utilice disolventes ni limpiadores a base de petróleo sobre el protector de plástico ya que esto podría dañarlo.

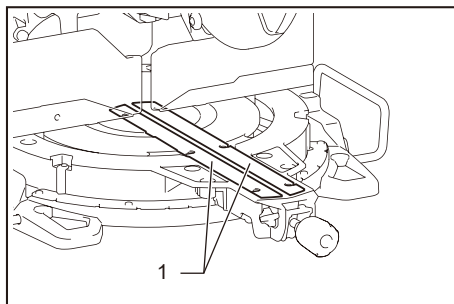
Si el protector del disco está especialmente sucio y no se logra ver a través del protector, desconecte la herramienta y utilice la llave suministrada para aflojar el perno de cabeza hexagonal que sujeta la cubierta central. Afloje el perno de cabeza hexagonal girándolo en sentido inverso al de las manecillas del reloj y levante el protector del disco y la cubierta central. Con el protector del disco en esta posición, la limpieza podrá realizarse de manera más completa y eficiente. Una vez terminada la limpieza, realice el procedimiento anterior en orden inverso y asegure el perno. No quite el resorte que sujeta el protector del disco. Si el protector llega a decolorarse con el tiempo o por la exposición a luz ultravioleta, póngase en contacto con un centro de servicio Makita para solicitar un protector nuevo. **NO INHABILITE NI RETIRE EL PROTECTOR.**



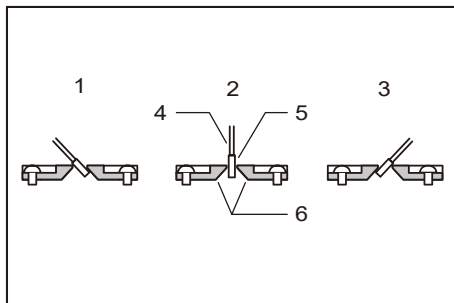
► 1. Cubierta central 2. Llave hexagonal 3. Protector del disco

Paneles de corte

La base giratoria de esta herramienta viene provista con paneles de corte a fin de minimizar el desgaste en el lado de salida del corte. Los paneles de corte están ajustados de fábrica de manera que éstos no hagan contacto con el disco de la sierra. Antes de utilizar la herramienta, ajuste los paneles de corte de la siguiente manera:



► 1. Panel de corte



► 1. Corte en bisel izquierdo 2. Corte recto 3. Corte en bisel derecho 4. Disco de la sierra 5. Dientes del disco 6. Panel de corte

Primero, desconecte la herramienta. Afloje todos los tornillos (2 de cada lado a la izquierda y la derecha) que fijan los paneles de corte hasta que éstos todavía puedan moverse fácilmente a mano. Baje la empuñadura por completo y luego jale y gire la clavija de retención para bloquear la empuñadura en la posición inferior. Libere la clavija de retención en el soporte de corredera y luego jale el carro hacia usted completamente. Ajuste los paneles de corte de manera que éstos sólo hagan contacto con los costados de los dientes del disco. Apriete los tornillos delanteros (no los apriete por completo). Empuje el carro hacia la guía lateral por completo y ajuste los paneles de corte de tal forma que éstos apenas hagan contacto con los costados de los dientes del disco. Apriete los tornillos traseros (no los apriete por completo).

Una vez ajustados los paneles de corte, libere la clavija de retención y levante la empuñadura. Luego apriete todos los tornillos firmemente.

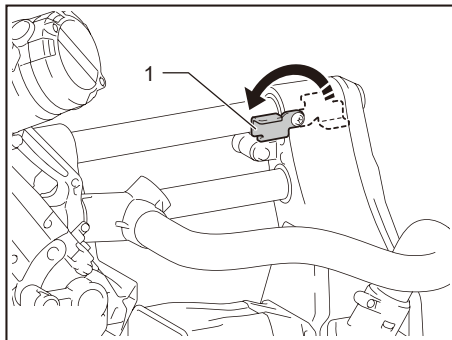
AVISO: Tras ajustar el ángulo de bisel, asegure que los paneles de corte queden ajustados correctamente. El ajuste correcto de los paneles de corte ayudará a ofrecer un apoyo adecuado de la pieza de trabajo minimizando su desprendimiento.

Mantenimiento de la capacidad máxima de corte

Esta herramienta está ajustada de fábrica para ofrecer la máxima capacidad de corte para un disco de la sierra de 305 mm (12").

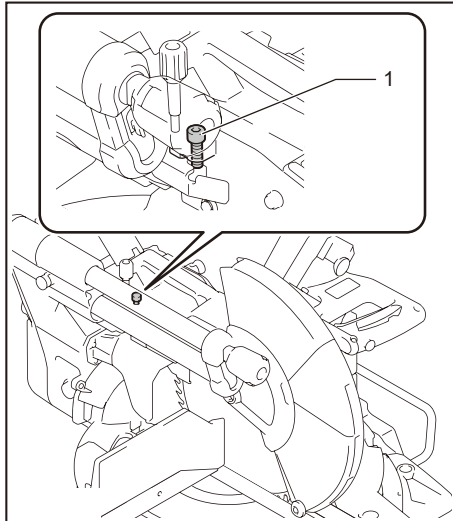
Al instalar un disco nuevo, revise siempre la posición del límite inferior del disco y, de ser necesario, haga el ajuste como se indica a continuación:

Primero, desconecte la herramienta. Luego gire la palanca del tope a la posición enganchada.

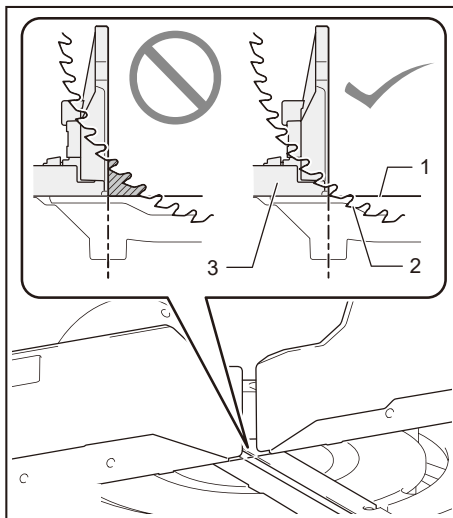


► 1. Palanca del tope

Empuje el carro hacia la guía lateral por completo y baje la empuñadura totalmente. Ajuste la posición del disco girando el perno de ajuste con la llave hexagonal. La periferia del disco deberá extenderse ligeramente por debajo de la superficie superior de la base giratoria y llegar además al punto donde la parte frontal de la guía lateral se encuentre con la superficie superior de la base giratoria.



► 1. Perno de ajuste



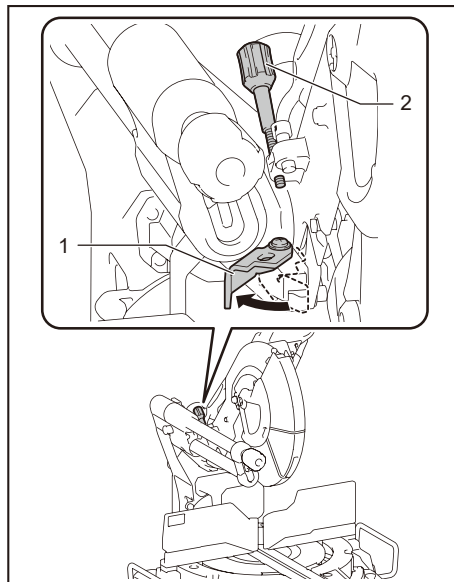
► 1. Superficie superior de la base giratoria
2. Periferia del disco 3. Guía lateral

Con la herramienta desconectada, gire el disco manualmente mientras sostiene la empuñadura completamente hacia abajo para asegurarse de que el disco no haga contacto con ninguna pieza de la base inferior. Reajuste ligeramente, en caso necesario. Después del ajuste, regrese siempre la palanca del tope a la posición original.

⚠️ ADVERTENCIA: Tras la instalación de un disco nuevo y con la herramienta desconectada, asegúrese siempre de que el disco no haga contacto con ninguna pieza de la base inferior al bajar la empuñadura por completo. Si un disco hace contacto con la base, puede producirse un retroceso brusco ocasionando lesiones personales graves.

Brazo de retención

La posición del límite inferior del disco puede ser ajustada fácilmente con el brazo de retención. Para ajustarla, gire el brazo de retención en la dirección de la flecha tal como se muestra en la figura. Gire el tornillo de ajuste de manera que el disco se detenga en la posición deseada al bajar por completo la empuñadura.

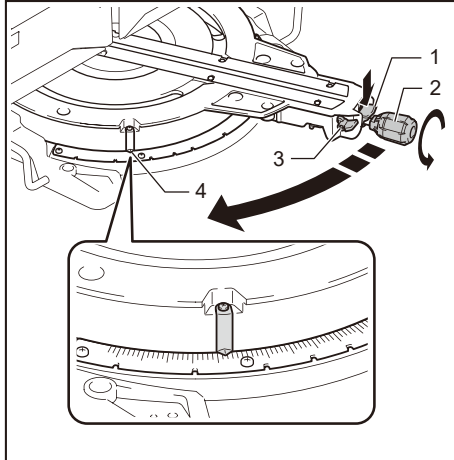


► 1. Brazo de retención 2. Tornillo de ajuste

Ajuste del ángulo de inglete

⚠️ PRECAUCIÓN: Luego de cambiar el ángulo de inglete, siempre asegure la base giratoria ajustando la perilla firmemente.

⚠️ AVISO: Antes de girar la base, asegúrese de subir completamente la empuñadura.



► 1. Palanca de bloqueo 2. Perilla 3. Palanca de liberación 4. Marcador

Gire la perilla en el sentido inverso al de las manecillas del reloj para desbloquear la base giratoria. Gire la perilla mientras presiona hacia abajo la palanca de bloqueo para mover la base giratoria. Alinee el marcador con su ángulo deseado en la escala y luego apriete la perilla.

NOTA: Si oprime la palanca de liberación, usted podrá mover la base giratoria sin tener que mantener presionada hacia abajo la palanca de bloqueo. Apriete la perilla hasta su posición deseada.

Esta sierra de inglete emplea la función de tope de seguridad. Usted puede ajustar el ángulo de inglete izquierdo o derecho rápidamente en 0°, 15°, 22,5°, 31,6°, 45°, y 60°. Para utilizar esta función, mueva la base giratoria cerca de su ángulo de tope de seguridad deseado mientras presiona hacia abajo la palanca de bloqueo. Luego suelte la palanca de bloqueo y mueva la base giratoria hacia adelante hasta que ésta quede bloqueada.

Ajuste del ángulo de bisel

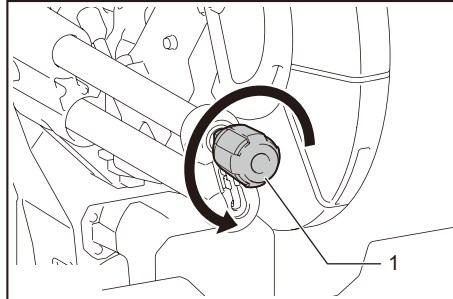
AVISO: Retire siempre las guías laterales superiores y la prensa vertical antes de ajustar el ángulo de bisel.

AVISO: Cuando cambie los ángulos de bisel, asegúrese de posicionar adecuadamente los paneles de corte, tal como se explica en la sección "Paneles de corte".

AVISO: Al inclinar el disco de la sierra, asegúrese de levantar la empuñadura por completo.

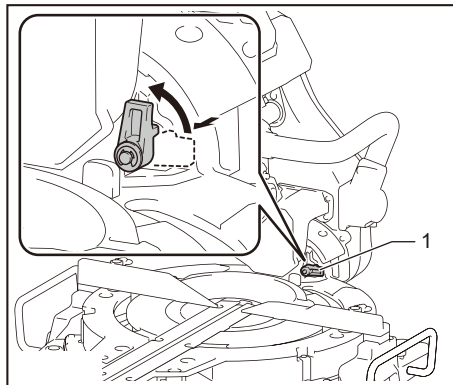
AVISO: No apriete el pomo con demasiada fuerza. El hacerlo podría causar una avería en el mecanismo de bloqueo del ángulo de bisel.

1. Gire el pomo en el soporte de corredera en sentido inverso al de las manecillas del reloj.



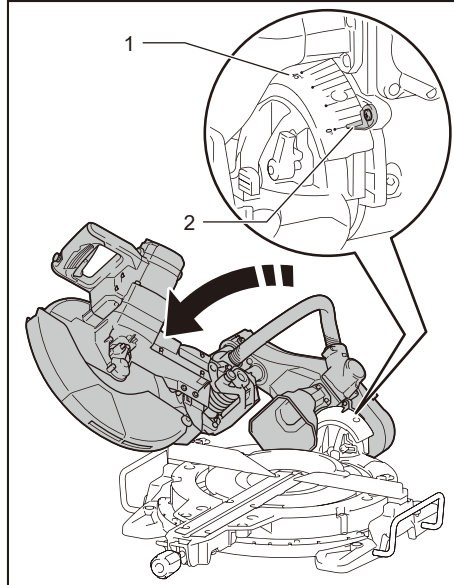
► 1. Pomo

2. Jale y gire la palanca de la aldabilla a la posición que se muestra en la ilustración.



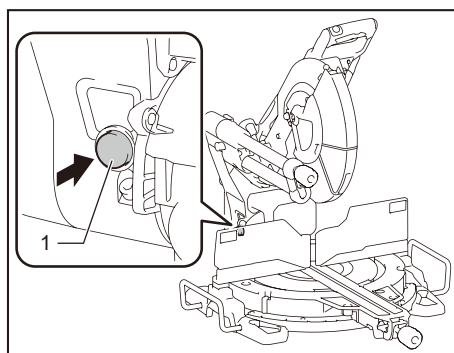
► 1. Palanca de la aldabilla

3. Ajuste el marcador en el ángulo que desee en la escala moviendo el carro y luego apriete el pomo.



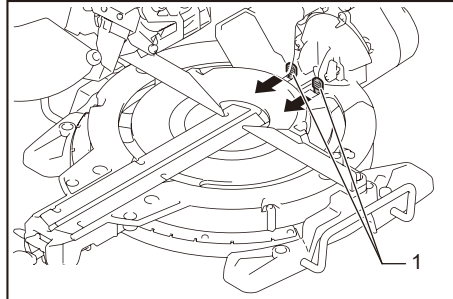
► 1. Escala del ángulo de bisel 2. Marcador

Para inclinar el carro a la derecha, incline el carro ligeramente a la izquierda y luego inclínelo a la derecha mientras presiona hacia abajo el botón de liberación.



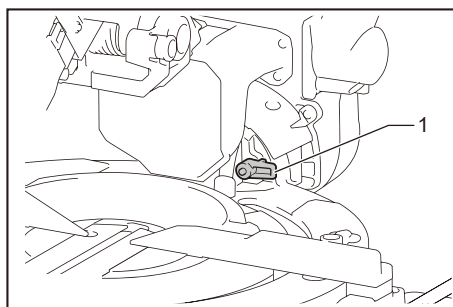
► 1. Botón de liberación

Si realiza un corte en bisel mayor de 45°, mueva el carro mientras desliza la palanca de liberación hacia la parte delantera de la herramienta. Usted puede realizar un corte en bisel de hasta 48°.



► 1. Palanca de liberación

Esta sierra de inglete emplea la función de tope de seguridad. Usted puede ajustar rápidamente el ángulo tanto del lado derecho como del izquierdo en 22,5° y 33,9°. Coloque la palanca de la aldabilla en la posición que se muestra en la ilustración e incline el carro. Para cambiar el ángulo, jale la palanca de la aldabilla e incline el carro.

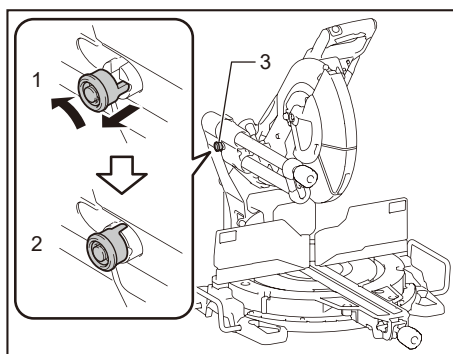


► 1. Palanca de la aldabilla

⚠PRECAUCIÓN: Después de cambiar el ángulo de bisel, asegure siempre el pomo.

Bloqueo de deslizamiento

Para bloquear el movimiento de deslizamiento del carro, empuje el carro hacia la guía lateral hasta que se detenga. Jale la clavija de retención y gírela 90°.



► 1. Posición desbloqueada 2. Posición bloqueada 3. Clavija de retención

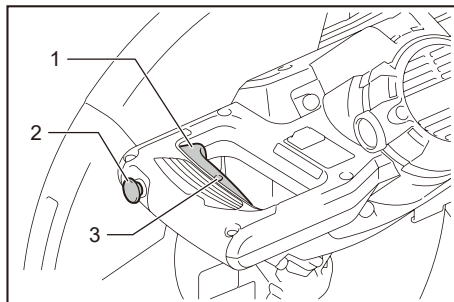
Accionamiento del interruptor

⚠ADVERTENCIA: Antes de conectar la herramienta, verifique siempre que el gatillo interruptor se accione debidamente y que regrese a la posición de apagado cuando lo suelte. No jale fuertemente el gatillo interruptor sin presionar el botón de desbloqueo. Esto podría dañar el interruptor. Usar una herramienta con un interruptor que no funciona adecuadamente puede resultar en pérdida del control ocasionando graves lesiones a la persona.

⚠ADVERTENCIA: NUNCA use la herramienta sin un gatillo interruptor completamente funcional. Cualquier herramienta con un interruptor que no funcione correctamente es SUMAMENTE PELIGROSA y debe ser reparada antes de continuar su uso o podría causar lesiones personales graves.

⚠ADVERTENCIA: NUNCA inhabilite el botón de desbloqueo manteniéndolo presionado con cinta adhesiva o mediante otro método. El uso de un interruptor con un botón de desbloqueo inhabilitado puede ocasionar una operación accidental y lesiones personales graves.

⚠ADVERTENCIA: NUNCA use la herramienta si se activa simplemente al jalar el gatillo interruptor sin que haya presionado el botón de desbloqueo. El uso de un interruptor que requiere reparación puede ocasionar una operación accidental y lesiones personales graves. Lleve la herramienta a un centro de servicio Makita para las reparaciones apropiadas ANTES de continuar su uso.



► 1. Gatillo interruptor 2. Botón de desbloqueo
3. Orificio para el candado

El botón de desbloqueo es suministrado para evitar jalar accidentalmente el gatillo interruptor. Para encender la herramienta, presione el botón de desbloqueo y jale el gatillo interruptor. Para detenerla, suelte el gatillo interruptor.

El gatillo interruptor cuenta con un orificio para insertar un candado para el bloqueo de la herramienta.

⚠ADVERTENCIA: No utilice un candado con un fuste o cable de menos de 6,35 mm (1/4") de diámetro. Un fuste o cable menor podría no bloquear la herramienta adecuadamente en la posición de apagado, ocasionando una operación accidental que podría causar lesiones personales graves.

Freno eléctrico

La herramienta está equipada con un freno eléctrico para el disco. Si la herramienta falla constantemente en detener el disco tras soltar el gatillo interruptor, lleve la herramienta a mantenimiento a un centro de servicio Makita.

⚠PRECAUCIÓN: El sistema de frenado del disco no es un sustituto del protector del disco. Nunca use la herramienta sin un protector funcional del disco. El uso de un disco sin el protector puede ocasionar graves lesiones personales.

Función eléctrica

Control de velocidad constante

La herramienta está equipada con un control electrónico de velocidad que ayuda a mantener una velocidad de rotación constante del disco aun estando bajo carga. Una velocidad de rotación constante del disco dará como resultado un corte muy suave.

Función de inicio suave

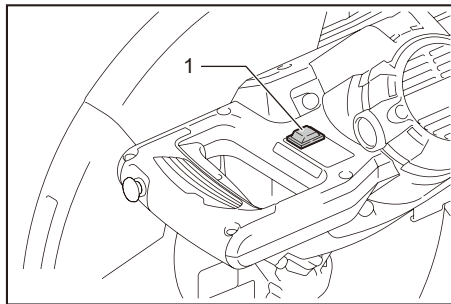
Esta función permite un arranque suave de la herramienta limitando la torsión durante la puesta en marcha.

Acción del rayo láser

Para el modelo LS1219L únicamente

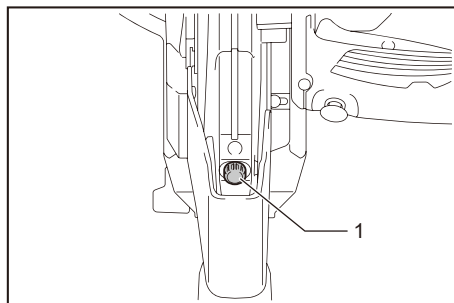
⚠PRECAUCIÓN: Nunca fije la mirada en el rayo láser. Mirar directamente al rayo láser podría lastimar sus ojos.

Para encender el rayo láser, oprima la posición superior (1) del interruptor. Para apagar el rayo láser, oprima la posición inferior (0) del interruptor.



► 1. Interruptor para el láser

La línea de láser puede ser cambiada ya sea al lado izquierdo o derecho del disco de la sierra girando el tornillo de ajuste tal como se muestra a continuación.



► 1. Tornillo de ajuste

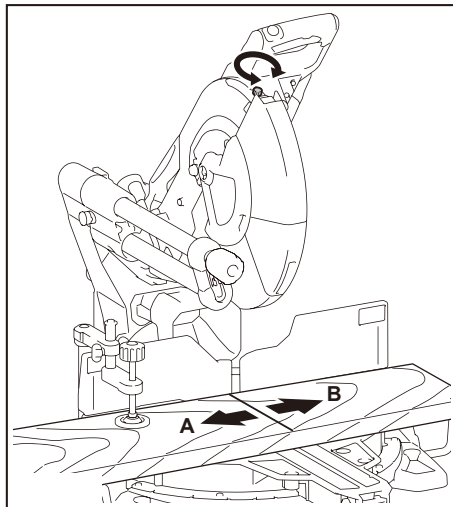
1. Afloje el tornillo de ajuste girándolo en sentido inverso al de las manecillas del reloj.
2. Con el tornillo de ajuste aflojado, deslice el tornillo de ajuste a la derecha o la izquierda tan lejos como llegue.
3. Apriete el tornillo de ajuste firmemente en la posición donde deje de deslizarse.

NOTA: La línea de láser viene ajustada de fábrica de manera que está posicionada dentro de 1 mm (0,04") desde la superficie lateral del disco (posición de corte).

NOTA: Cuando la línea de láser parezca tenue y difícil de percibir a causa de la luz directa del sol, reubique el área de trabajo en un lugar donde haya menos luz directa del sol.

Alineación de la línea de láser

Alinee la línea de corte en su pieza de trabajo con la línea de láser.



A) Cuando desee obtener el tamaño correcto del lado izquierdo de la pieza de trabajo, cambie la línea de láser a la izquierda del disco.

B) Cuando desee obtener el tamaño correcto del lado derecho de la pieza de trabajo, cambie la línea de láser a la derecha del disco.

NOTA: Utilice el elemento auxiliar de madera contra la guía lateral cuando alinee la línea de corte con la línea de láser en la parte lateral de la guía lateral en el corte compuesto (ángulo de bisel de 45° y ángulo de inglete derecho de 45°).

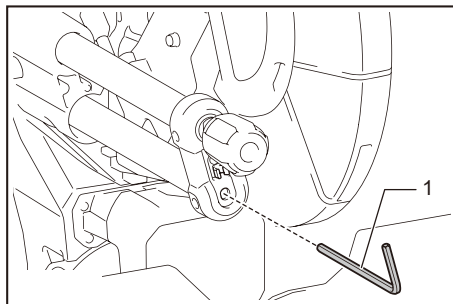
MONTAJE

⚠ADVERTENCIA: Asegúrese siempre de que la herramienta haya sido apagada y desconectada antes de realizar algún trabajo en la herramienta.

El no apagar y desconectar la herramienta podría ocasionar lesiones personales graves.

Almacenamiento de la llave Allen (hexagonal)

Cuando no la utilice, guarde la llave hexagonal como se muestra en la figura para evitar que se pierda.



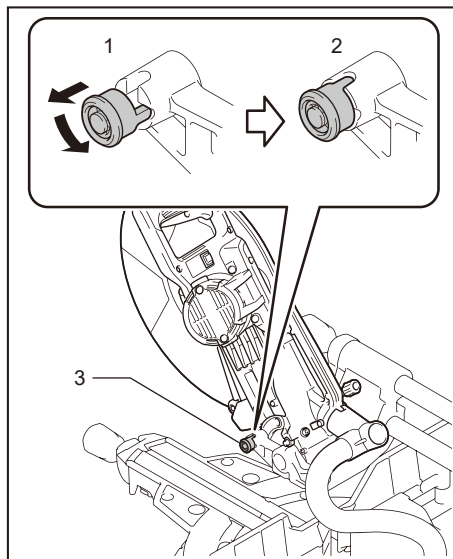
► 1. Llave Allen (hexagonal)

Extracción e instalación del disco de la sierra

⚠ADVERTENCIA: Siempre asegúrese de que la herramienta haya sido apagada y desconectada antes de instalar o extraer el disco. El encendido accidental de la herramienta puede resultar en lesiones personales graves.

⚠ADVERTENCIA: Utilice únicamente la llave suministrada por Makita para instalar o extraer el disco. El no utilizar la llave podría ocasionar un apriete excesivo o insuficiente del perno de cabeza hexagonal y provocar lesiones personales graves.

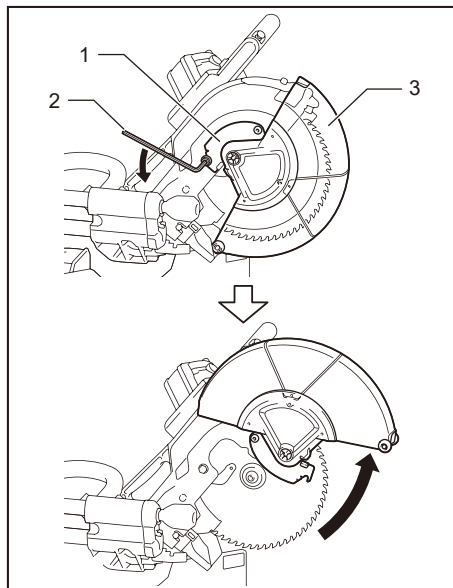
Bloquee siempre el carro con la posición levantada cuando extraiga e instale el disco. Jale la clavija de retención y gírela 90° con el carro levantado.



- 1. Posición desbloqueada 2. Posición bloqueada
3. Clavija de retención

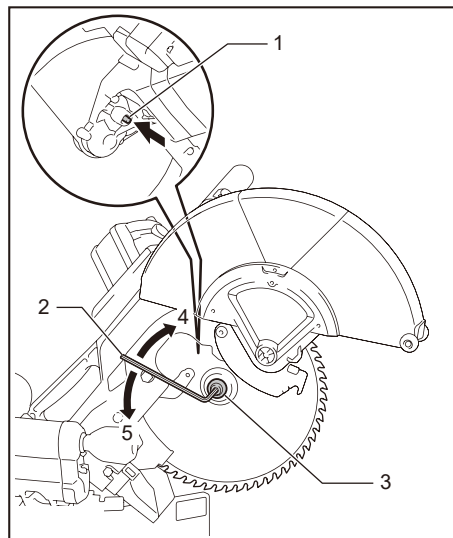
Extracción del disco

Afloje el perno de cabeza hexagonal que sujeta la cubierta central usando la llave hexagonal. Levante el protector del disco y la cubierta central.



- 1. Cubierta central 2. Llave hexagonal 3. Protector del disco

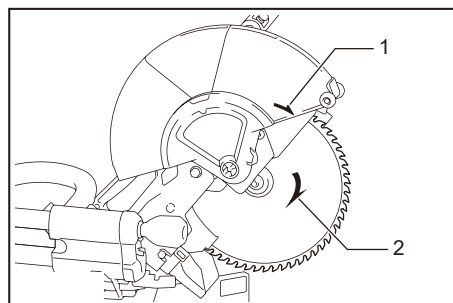
Presione el bloqueo del eje para bloquear el eje y use la llave hexagonal para aflojar el perno de cabeza hexagonal. Luego retire el perno de cabeza hexagonal, la brida exterior y el disco.



- 1. Bloqueo del eje 2. Llave hexagonal 3. Perno de cabeza hexagonal (rosca hacia la izquierda)
4. Aflojar 5. Apretar

Instalación del disco

Instale el disco cuidadosamente en el eje, asegurándose de que la dirección de la flecha en la superficie del disco coincida con la dirección de la flecha en la caja del disco.

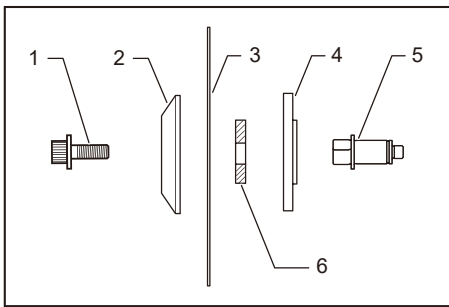


- 1. Flecha en la caja del disco 2. Flecha en el disco

Instale la brida exterior y el perno de cabeza hexagonal. Apriete el perno de cabeza hexagonal en sentido inverso al de las manecillas del reloj usando la llave hexagonal mientras presiona el bloqueo del eje.

Bolsa recolectora de polvo

El uso de la bolsa recolectora de polvo permite realizar operaciones de corte limpias y facilita la recolección de polvo. Para colocar la bolsa recolectora de polvo, retire la manguera de extracción de polvo en la herramienta y conecte la bolsa recolectora de polvo.



- 1. Perno de cabeza hexagonal 2. Brida exterior 3. Disco de la sierra 4. Brida interior 5. Eje 6. Anillo

AVISO: Si la brida interior es extraída, asegúrese de instalarla en el eje con su protuberancia orientada hacia afuera del disco. Si la brida es instalada incorrectamente, ésta rozará contra la máquina.

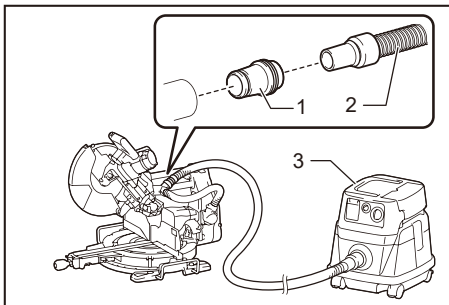
Regrese el protector del disco y la cubierta central a su posición original. Luego apriete el perno de cabeza hexagonal en el sentido de las manecillas del reloj para asegurar la cubierta central. Desbloquee la clavija de retención para liberar el carro de la posición levantada. Baje la empuñadura para asegurarse de que el protector del disco se mueva adecuadamente. Asegúrese de que el bloqueo del eje haya liberado el eje antes de hacer el corte.

⚠ADVERTENCIA: Antes de montar el disco en el eje, asegúrese siempre de instalar el anillo correcto para el orificio del eje del disco que desea utilizar entre las bridas interior y exterior.

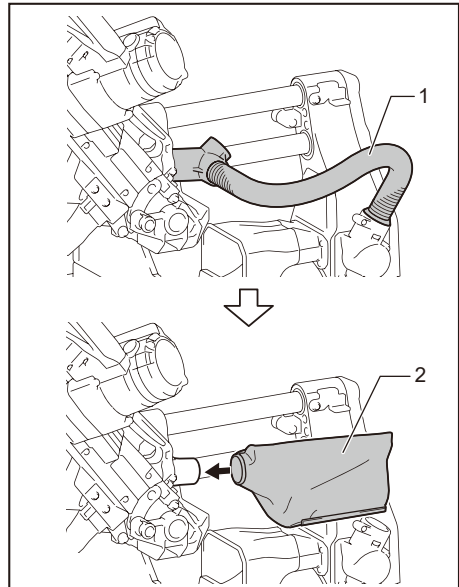
El uso de un anillo incorrecto para el orificio del eje puede ocasionar un montaje inadecuado del disco provocando que éste se mueva y vibre excesivamente, pudiendo causar a su vez la pérdida de control durante la operación y lesiones personales graves.

Conexión de una aspiradora

Cuando desee realizar una operación de corte limpia, conecte una aspiradora Makita a la boquilla para polvo usando los manguitos delanteros 24 (accesorios opcionales).

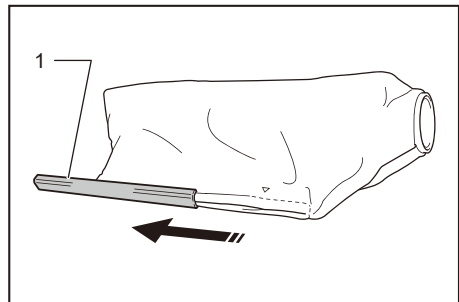


- 1. Manguitos delanteros 24 2. Manguera 3. Aspiradora



- 1. Manguera de extracción de polvo 2. Bolsa recolectora de polvo

Cuando la bolsa recolectora de polvo se haya llenado casi a la mitad, retírela de la herramienta y abra el cierre. Vacíe el contenido de la bolsa recolectora de polvo golpeándola ligeramente a fin de remover las partículas adheridas en el interior que pudieran dificultar la recolección más adelante.



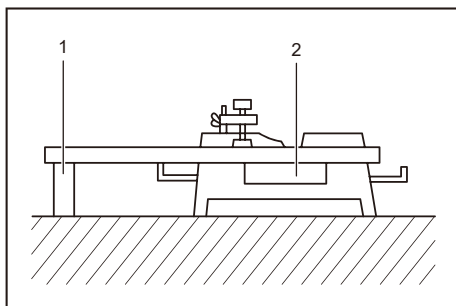
- 1. Cierre

Aseguramiento de la pieza de trabajo

⚠ADVERTENCIA: Es sumamente importante asegurar siempre la pieza de trabajo de manera correcta usando un tipo adecuado de prensa o topes para moldura de corona. El no hacerlo podría ocasionar lesiones personales graves y causar daños a la herramienta y/o la pieza de trabajo.

⚠ADVERTENCIA: Tras una operación de corte, no levante el disco hasta que éste se haya detenido por completo. Levantar un disco que aún se encuentra girando puede causar lesiones personales graves y daños a la pieza de trabajo.

⚠ADVERTENCIA: Cuando corte una pieza de trabajo que sea más larga que la base de apoyo de la sierra, el material deberá apoyarse sobre toda su longitud más allá de la base de apoyo y a la misma altura de ésta a fin de mantenerlo nivelado. Un apoyo adecuado de la pieza de trabajo ayudará a evitar que el disco se trabe ocasionando un posible retroceso brusco que podría causar lesiones personales graves. No dependa solamente de las prensas vertical y/u horizontal que fijan la pieza de trabajo. Las piezas delgadas tienden a pandearse. Apoye la pieza de trabajo sobre su longitud completa para evitar que el disco se trabe, así como un posible RETROCESO BRUSCO.



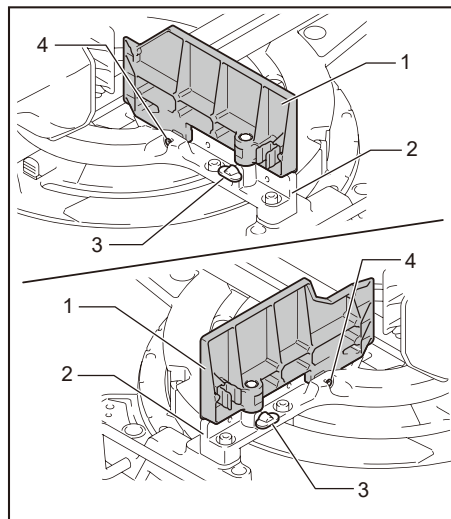
► 1. Apoyo 2. Base giratoria

Guías laterales

⚠ADVERTENCIA: Antes de operar la herramienta, asegúrese de que la guía superior esté firmemente asegurada.

⚠ADVERTENCIA: Antes de realizar un corte en bisel, asegúrese de que ninguna de las piezas de la herramienta, en especial el disco, haga contacto con las guías superior e inferior cuando baje y levante totalmente la empuñadura en cualquier posición y al desplazar el carro a través de su rango completo de recorrido. Si la herramienta o el disco llegaran a hacer contacto con la guía, podría producirse un retroceso brusco o algún movimiento inesperado del material ocasionando lesiones personales graves.

Utilice las guías superiores para apoyar el material más arriba de las guías inferiores. Inserte la guía superior en el orificio de la guía inferior y apriete el tornillo de fijación.

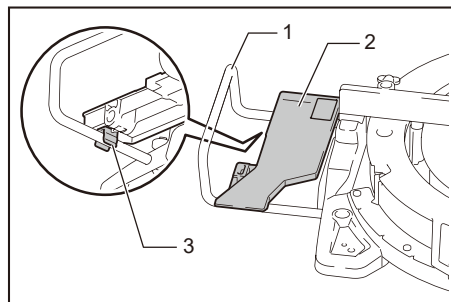


► 1. Guía superior 2. Guía inferior 3. Tornillo de fijación 4. Tornillo de ajuste

AVISO: Las guías inferiores vienen fijadas a la base de fábrica. No quite las guías inferiores.

AVISO: Si la guía superior sigue estando suelta después de apretar el tornillo de fijación, gire el tornillo de ajuste para cerrar el espacio. El tornillo de ajuste viene ajustado de fábrica. No tiene que usarlo a menos que se requiera.

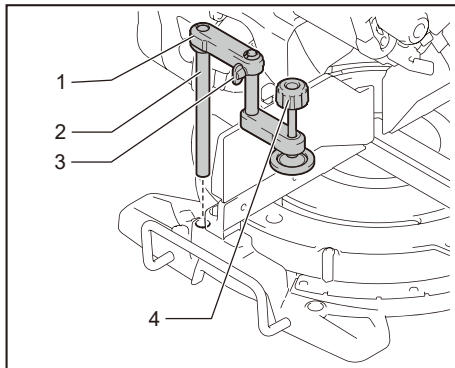
Usted puede guardar las guías superiores en el soporte cuando no las utilice. Use la horquilla en la guía superior para sujetarla en el soporte.



► 1. Soporte 2. Guía superior 3. Horquilla

Prensa vertical

⚠ADVERTENCIA: La pieza de trabajo deberá estar firmemente sujeta contra la base giratoria y la guía lateral con la prensa durante todas las operaciones. Si la pieza de trabajo no queda debidamente asegurada contra la guía, el material podría desplazarse durante la operación de corte ocasionando daños al disco, y salir disparado causando la pérdida de control y lesiones personales graves.



► 1. Brazo de la prensa 2. Varilla de la prensa 3. Tornillo de fijación 4. Seguro de la prensa

La prensa vertical se puede instalar en dos posiciones, ya sea del lado izquierdo o derecho de la base. Inserte la varilla de la prensa en el orificio de la base.

Posicione el brazo de la prensa según el grosor y la forma de la pieza de trabajo y asegúrelo apretando el tornillo. Si el tornillo de fijación hace contacto con el carro, instálelo en el lado opuesto del brazo de la prensa. Asegúrese de que ninguna pieza de la herramienta haga contacto con la prensa al bajar por completo la empuñadura. Si alguna pieza hace contacto con la prensa, vuelva a posicionar la prensa.

Presione la pieza de trabajo en forma horizontal contra la guía lateral y la base giratoria. Coloque la pieza de trabajo en la posición de corte deseada y asegúrela con firmeza ajustando el seguro de la prensa.

NOTA: Para un ajuste rápido de la pieza de trabajo, gire el seguro de la prensa 90° en sentido inverso al de las manecillas del reloj para poder moverlo hacia arriba y hacia abajo. Una vez ajustada la pieza de trabajo, gire el seguro de la prensa en el sentido de las manecillas del reloj para asegurarla.

Prensa horizontal

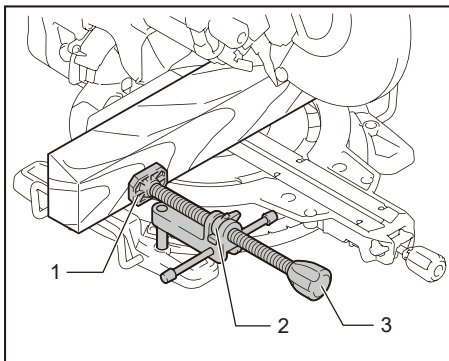
Accesorio opcional

⚠ADVERTENCIA: Gire siempre la tuerca de la prensa en el sentido de las manecillas del reloj hasta que la pieza de trabajo quede firmemente asegurada. Si la pieza de trabajo no queda debidamente asegurada, el material podría desplazarse durante la operación de corte ocasionando daños al disco, y salir disparado causando la pérdida de control y lesiones personales graves.

⚠ADVERTENCIA: Utilice siempre la prensa horizontal cuando corte piezas de trabajo delgadas, tales como zócalos, contra la guía.

⚠PRECAUCIÓN: Cuando corte una pieza de trabajo con un grosor de 20 mm (13/16") o menos, asegúrese de usar un bloque espaciador para asegurar la pieza de trabajo.

La prensa horizontal se puede instalar en dos posiciones, ya sea del lado izquierdo o derecho de la base. Cuando realice cortes en inglete de 22,5° o más, instale la prensa horizontal en el lado opuesto a la dirección en la que la base giratoria vaya a girar.



► 1. Placa de la prensa 2. Tuerca de la prensa 3. Seguro de la prensa

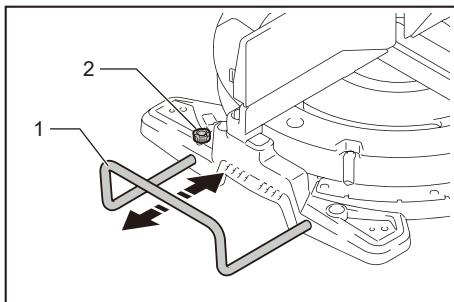
Si gira la tuerca de la prensa en sentido inverso al de las manecillas del reloj, la prensa se liberará y podrá desplazarse rápidamente hacia adentro y hacia afuera. Para sujetar la pieza de trabajo, empuje el seguro de la prensa hacia adelante hasta que la placa de la prensa haga contacto con la pieza de trabajo y gire la tuerca de la prensa en el sentido de las manecillas del reloj. Luego gire el seguro de la prensa en el sentido de las manecillas del reloj para asegurar la pieza de trabajo.

NOTA: El ancho máximo de la pieza de trabajo que puede asegurarse con la prensa horizontal es de 228 mm (9").

Soportes

⚠ADVERTENCIA: Apoye siempre una pieza de trabajo de gran tamaño de tal forma que esté nivelada con la superficie de la base giratoria para un corte preciso y para evitar una pérdida peligrosa del control de la herramienta. Un apoyo adecuado de la pieza de trabajo ayudará a evitar que el disco se trabe ocasionando un posible retroceso brusco que podría causar lesiones personales graves.

Para sostener piezas de trabajo largas de forma horizontal, la herramienta cuenta con soportes a ambos lados. Afloje los tornillos y extienda los soportes a una longitud adecuada para sostener la pieza de trabajo. Luego apriete los tornillos.



► 1. Soporte 2. Tornillo

OPERACIÓN

⚠ADVERTENCIA: Asegúrese de que el disco no esté haciendo contacto con la pieza de trabajo u otro material antes de activar el interruptor. Encender la herramienta mientras el disco esté haciendo contacto con la pieza de trabajo puede ocasionar retrocesos bruscos y lesiones personales graves.

⚠ADVERTENCIA: Tras una operación de corte, no levante el disco hasta que éste se haya detenido por completo. Levantar un disco que aún se encuentra girando puede causar lesiones personales graves y daños a la pieza de trabajo.

⚠ADVERTENCIA: No realice ningún ajuste en la herramienta, tal como mover la perilla, el pomo y las palancas, mientras el disco está girando. El hacer ajustes mientras el disco está girando podría ocasionar lesiones personales graves.

AVISO: Antes de usar la herramienta, asegúrese de desbloquear la clavija de retención y liberar la empuñadura de la posición hacia abajo.

AVISO: No haga excesiva presión sobre la empuñadura mientras corta. Demasiada fuerza podría sobrecargar el motor y/o disminuir la eficacia del corte. La fuerza ejercida sobre la empuñadura debe ser sólo la necesaria para realizar un corte parejo sin disminuir de manera significativa la velocidad del disco.

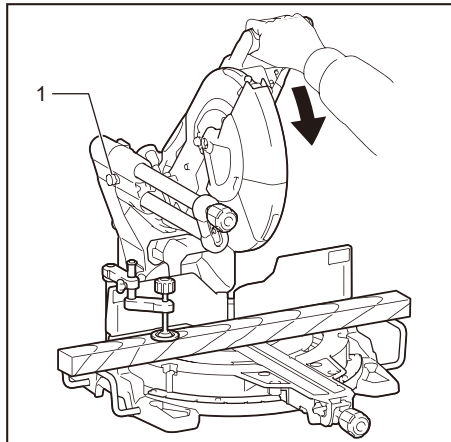
AVISO: Presione suavemente la empuñadura para realizar el corte. Si la empuñadura es oprimida con fuerza, o si aplica presión lateral, el disco vibrará y dejará una marca (marca de sierra) en la pieza de trabajo y la precisión del corte se verá perjudicada.

AVISO: Cuando realice un corte por deslizamiento, empuje suavemente el carro hacia la guía lateral sin detenerse. Si el carro se detiene durante el corte, quedará una marca en la pieza de trabajo y la precisión de dicho corte se verá afectada.

Corte con prensa

⚠ADVERTENCIA: Bloquee siempre el movimiento de deslizamiento del carro cuando realice un corte con prensa. El cortar sin haberlo bloqueado podría causar un retroceso brusco ocasionando lesiones personales graves.

Las piezas de trabajo de hasta 92 mm (3-5/8") de alto y 183 mm (7-1/4") de ancho pueden ser cortadas de la siguiente manera.



► 1. Clavija de retención

1. Empuje el carro hacia la guía lateral hasta que se detenga y bloquéelo con la clavija de retención.
2. Asegure la pieza de trabajo con el tipo adecuado de prensa.
3. Encienda la herramienta sin que el disco haga contacto alguno y espere a que éste adquiera velocidad completa antes de bajar la empuñadura.

4. Luego baje lentamente la empuñadura a la posición completamente hacia abajo para realizar el corte en la pieza de trabajo.

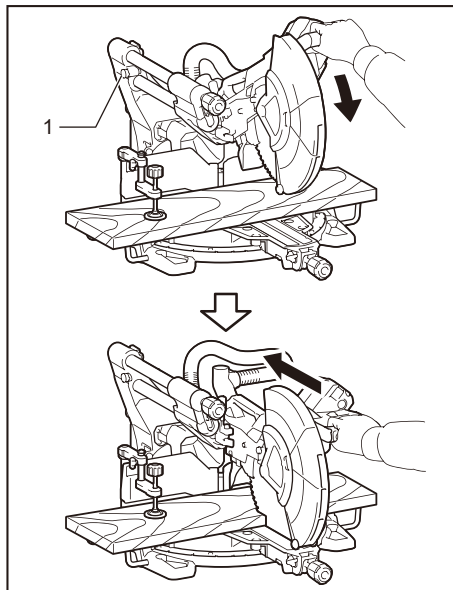
5. Una vez finalizado el corte, apague la herramienta y espere hasta que el disco se haya detenido por completo antes de regresar el disco a su posición elevada.

Corte por deslizamiento (empuje) (corte de piezas de trabajo anchas)

⚠ADVERTENCIA: Siempre que realice un corte por deslizamiento, jale primero el carro por completo hacia usted y presione la empuñadura completamente hacia abajo, y luego empuje el carro hacia la guía lateral. Nunca inicie el corte con el carro sin haberlo jalado completamente hacia usted. Si realiza cortes por deslizamiento sin haber jalado el carro completamente hacia usted, podrían generarse retrocesos bruscos inesperados causando lesiones personales graves.

⚠ADVERTENCIA: Nunca intente realizar un corte por deslizamiento mientras jala el carro hacia usted. Jalar el carro hacia usted mientras se realiza un corte puede ocasionar retrocesos bruscos inesperados causando lesiones personales graves.

⚠ADVERTENCIA: Nunca realice cortes por deslizamiento con la empuñadura bloqueada en la posición hacia abajo.



► 1. Clavija de retención

1. Desbloquee la clavija de retención para que el carro pueda deslizarse libremente.
2. Asegure la pieza de trabajo con el tipo adecuado de prensa.
3. Jale el carro por completo hacia usted.

4. Encienda la herramienta sin que el disco haga contacto alguno y espere hasta que ésta alcance la velocidad máxima.

5. Presione hacia abajo la empuñadura y **empuje el carro hacia la guía lateral y a través de la pieza de trabajo.**

6. Una vez finalizado el corte, apague la herramienta y **espere hasta que el disco se haya detenido por completo** antes de regresar el disco a su posición elevada.

Corte en inglete

Consulte la sección "Ajuste del ángulo de inglete" descrita anteriormente.

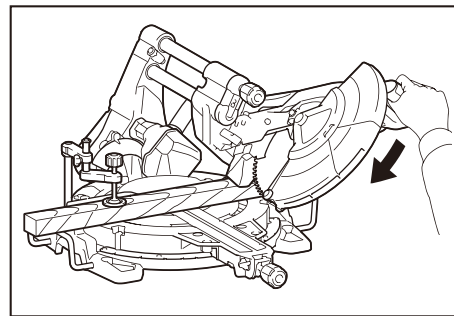
Corte en bisel

⚠ADVERTENCIA: Una vez que haya ajustado el disco para realizar un corte en bisel, asegúrese de que el carro y el disco puedan desplazarse libremente a través del rango completo del corte previsto antes de operar la herramienta. La interrupción del trayecto del carro o disco durante la operación de corte puede ocasionar retrocesos bruscos causando lesiones personales graves.

⚠ADVERTENCIA: Mientras realiza cortes en bisel, mantenga las manos fuera de la ruta del disco. El ángulo del disco puede confundir al operador respecto a la ruta actual del disco mientras se realiza el corte haciendo que tenga contacto con el disco lo cual causará lesiones personales graves.

⚠ADVERTENCIA: El disco no deberá levantarse hasta que se haya detenido por completo. El fragmento cortado de una pieza de trabajo durante un corte en bisel podría quedar colocado contra el disco. Si el disco se eleva mientras está girando, el fragmento cortado podría ser proyectado por el disco causando que se fragmente u ocasione lesiones personales graves.

AVISO: Al presionar la empuñadura hacia abajo, hágalo paralelamente con el disco. Si se aplica fuerza de manera perpendicular a la base giratoria o si la dirección de la presión es modificada durante el corte, la precisión del corte se verá afectada.



1. Retire la guía superior del lado donde vaya a inclinar el carro.
2. Desbloquee la clavija de retención.
3. Ajuste el ángulo de bisel conforme al procedimiento explicado en la sección "Ajuste del ángulo de bisel". Luego apriete el pomo.
4. Asegure la pieza de trabajo con una prensa.
5. Jale el carro por completo hacia usted.
6. Encienda la herramienta sin que el disco haga contacto alguno y espere hasta que ésta alcance la velocidad máxima.
7. Baje suavemente la empuñadura hasta la posición completamente hacia abajo aplicando presión paralelamente con el disco y **empuje el carro hacia la guía lateral para cortar la pieza de trabajo**.
8. Una vez finalizado el corte, apague la herramienta y **espere hasta que el disco se haya detenido por completo** antes de regresar el disco a su posición completamente elevada.

Corte compuesto

El corte compuesto es un proceso en el que el ángulo de bisel se hace al mismo tiempo en el que el ángulo de inglete está siendo cortado en la pieza de trabajo. El corte compuesto puede realizarse en el ángulo que se muestra en la tabla.

Ángulo de inglete	Ángulo de bisel
Izquierdo y derecho 0° - 45°	Izquierdo y derecho 0° - 45°

Cuando realice un corte compuesto, consulte las explicaciones de "Corte con prensa", "Corte por deslizamiento (empuje)", "Corte en inglete" y "Corte en bisel".

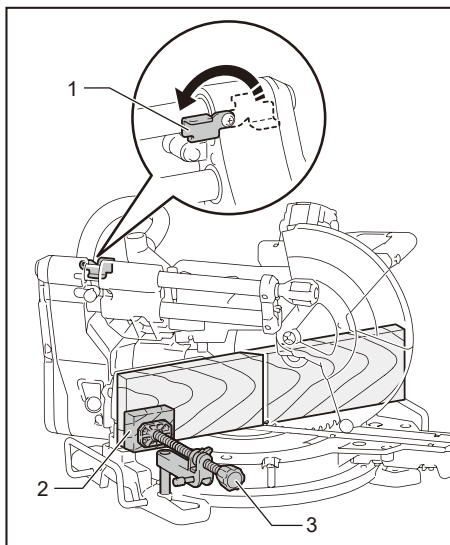
Corte de zócalos

⚠PRECAUCIÓN: Asegúrese de usar la prensa horizontal (accesorio opcional) al cortar el zócalo.

⚠PRECAUCIÓN: Cuando corte una pieza de trabajo con un grosor de 20 mm (13/16") o menos, asegúrese de usar un bloque espaciador para asegurar la pieza de trabajo.

Cuando corte el zócalo en un ángulo de inglete de 45°, enganche la palanca de tope para evitar que la caja del disco haga contacto con el zócalo. Esto mantendrá una distancia entre el zócalo y la caja del disco al empujar el carro completamente hacia adelante.

Consulte la sección ESPECIFICACIONES para ver la capacidad de corte para zócalos.

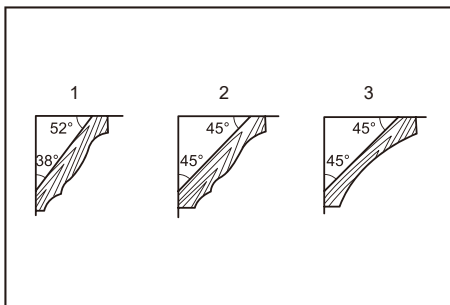


► 1. Palanca del tope 2. Bloque espaciador 3. Prensa horizontal

Corte de molduras corona y cóncava

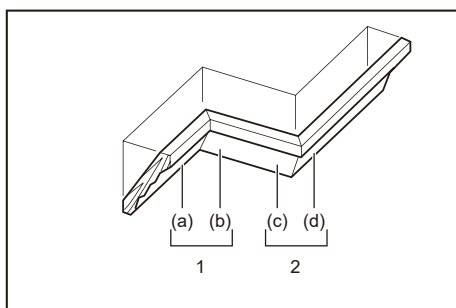
Las molduras corona y cóncava pueden ser cortadas con una sierra de inglete telescópica, colocando las molduras sobre la base giratoria.

Existen dos tipos comunes de molduras corona y un tipo de moldura cóncava; moldura corona de ángulo de pared de 52/38°, moldura corona de ángulo de pared de 45° y moldura cóncava de ángulo de pared de 45°.



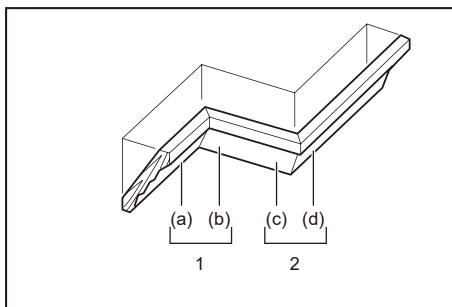
► 1. Moldura tipo corona de 52/38° 2. Moldura tipo corona de 45° 3. Moldura tipo cóncava de 45°

Existen juntas de molduras corona y molduras cóncavas que se realizan para ser insertadas en rincones "Internos" de 90° ((a) y (b) en la figura) y rincones "Externos" de 90° ((c) y (d) en la figura).

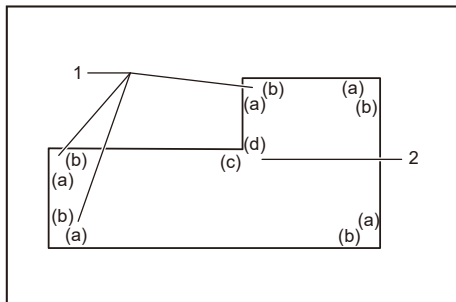


1. Rincón interno 2. Rincón externo

En caso de corte en bisel izquierdo



1. Rincón interno 2. Rincón externo



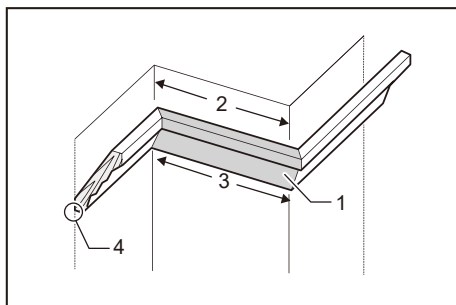
1. Rincón interno 2. Rincón externo

Tabla (A)

-	Posición de la moldura en la figura	Ángulo de bisel		Ángulo de inglete	
		Tipo de 52/38°	Tipo de 45°	Tipo de 52/38°	Tipo de 45°
Para rincón interno	(a)	Izquierda 33,9°	Izquierda 30°	Derecha 31,6°	Derecha 35,3°
	(b)			Izquierda 31,6°	Izquierda 35,3°
Para rincón externo	(c)			Derecha 31,6°	Derecha 35,3°
	(d)				

Medición

Mida el ancho de la pared y ajuste la anchura de la pieza de trabajo de acuerdo con éste. Siempre asegúrese de que el ancho del borde de contacto con la pared de la pieza de trabajo sea el mismo que la longitud de la pared.



► 1. Pieza de trabajo 2. Anchura de la pared
3. Anchura de la pieza de trabajo 4. Borde de contacto con la pared

Siempre haga pruebas de corte con varias piezas a fin de verificar los ángulos de la sierra.

Cuando corte molduras corona y cóncava, fije el ángulo de bisel y el ángulo de inglete tal como se indica en la tabla (A), y posicione las molduras en la parte superior de la base de la sierra tal como se indica en la tabla (B).

Tabla (B)

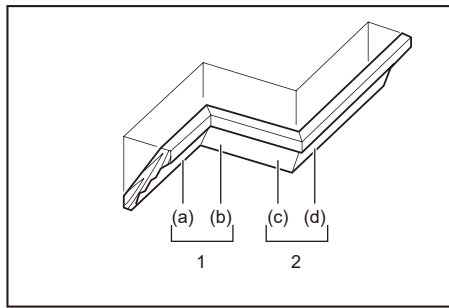
-	Posición de la moldura en la figura	Borde de la moldura contra la guía lateral	Pieza terminada
Para rincón interno	(a)	El borde de contacto con el techo deberá estar contra la guía lateral.	La pieza terminada estará del lado izquierdo del disco.
	(b)	El borde de contacto con la pared deberá estar contra la guía lateral.	
Para rincón externo	(c)	El borde de contacto con el techo deberá estar contra la guía lateral.	La pieza terminada estará del lado derecho del disco.
	(d)	El borde de contacto con el techo deberá estar contra la guía lateral.	

Ejemplo:

En caso de cortar una moldura tipo corona de 52/38° para la posición (a) en la figura de arriba:

- Incline y asegure la posición del ángulo de bisel a 33,9° a la IZQUIERDA.
- Ajuste y asegure la posición del ángulo de inglete a 31,6° a la DERECHA.
- Coloque la moldura corona con la superficie ancha de la parte trasera (oculta) sobre la base giratoria con el BORDE DE CONTACTO CON EL TECHO apoyado sobre la guía lateral de la sierra.
- La pieza terminada a ser utilizada siempre debe estar del lado IZQUIERDO del disco luego de terminado el corte.

En caso de un corte en bisel derecho



1. Rincón interno 2. Rincón externo

Tabla (A)

-	Posición de la moldura en la figura	Ángulo de bisel		Ángulo de inglete	
		Tipo de 52/38°	Tipo de 45°	Tipo de 52/38°	Tipo de 45°
Para rincón interno	(a)	Derecha 33,9°	Derecha 30°	Derecha 31,6°	Derecha 35,3°
	(b)			Izquierda 31,6°	Izquierda 35,3°
Para rincón externo	(c)			Derecha 31,6°	Derecha 35,3°
	(d)			Derecha 31,6°	Derecha 35,3°

Tabla (B)

-	Posición de la moldura en la figura	Borde de la moldura contra la guía lateral	Pieza terminada
Para rincón interno	(a)	El borde de contacto con la pared deberá estar contra la guía lateral.	La pieza terminada estará del lado derecho del disco.
	(b)	El borde de contacto con el techo deberá estar contra la guía lateral.	
Para rincón externo	(c)	El borde de contacto con la pared deberá estar contra la guía lateral.	La pieza terminada estará del lado izquierdo del disco.
	(d)	El borde de contacto con la pared deberá estar contra la guía lateral.	

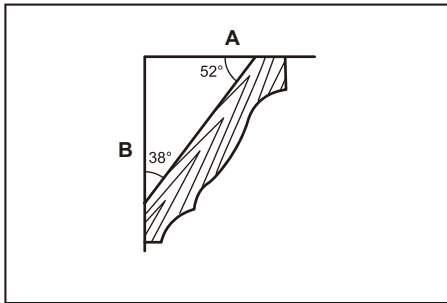
Ejemplo:

En caso de cortar una moldura tipo corona de 52/38° para la posición (a) en la figura de arriba:

- Incline y asegure la posición del ángulo de bisel a 33,9° a la DERECHA.
- Ajuste y asegure la posición del ángulo de inglete a 31,6° a la DERECHA.
- Coloque la moldura de corona con la superficie ancha de la parte trasera (oculta) hacia abajo sobre la base giratoria con el BORDE DE CONTACTO CON LA PARED apoyado contra la guía lateral en la sierra.
- La pieza terminada que se va a utilizar siempre deberá estar del lado DERECHO del disco una vez realizado el corte.

Ajustes del ángulo de inglete y de bisel

De la pared al ángulo de la moldura corona: 52°/38°



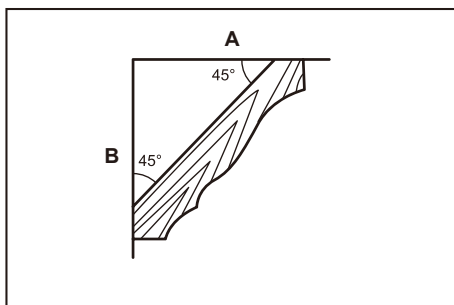
	1	2	3
△ 60	43.0	46.8	
61	42.8	46.3	
62	42.5	45.7	
63	42.2	45.1	
64	41.9	44.6	
65	41.7	44.0	
66	41.4	43.5	
67	41.1	42.9	
68	40.8	42.4	
69	40.5	41.9	
70	40.2	41.3	
71	39.9	40.8	
72	39.6	40.3	
73	39.3	39.8	
74	39.0	39.2	
75	38.7	38.7	
76	38.4	38.2	
77	38.1	37.7	
78	37.8	37.2	
79	37.4	36.8	
80	37.1	36.3	
81	36.8	35.8	
82	36.5	35.3	
83	36.2	34.8	
84	35.8	34.4	
85	35.5	33.9	
86	35.2	33.4	
87	34.9	33.0	
88	34.5	32.5	
89	34.2	32.1	
△ 90	33.9	31.6	
91	33.5	31.2	
92	33.2	30.7	
93	32.8	30.3	
94	32.5	29.9	
95	32.2	29.4	
96	31.8	29.0	
97	31.5	28.6	
98	31.1	28.2	
99	30.8	27.7	
100	30.4	27.3	

	1	2	3
101	30.1	26.9	
102	29.7	26.5	
103	29.4	26.1	
104	29.0	25.7	
105	28.7	25.3	
106	28.3	24.9	
107	28.0	24.5	
108	27.6	24.1	
109	27.2	23.7	
110	26.9	23.3	
111	26.5	22.9	
112	26.1	22.6	
113	25.8	22.2	
114	25.4	21.8	
115	25.0	21.4	
116	24.7	21.0	
117	24.3	20.7	
118	23.9	20.3	
119	23.6	19.9	
△ 120	23.2	19.6	
121	22.8	19.2	
122	22.5	18.8	
123	22.1	18.5	
124	21.7	18.1	
125	21.3	17.8	
126	21.0	17.4	
127	20.6	17.1	
128	20.2	16.7	
129	19.8	16.4	
130	19.5	16.0	
131	19.1	15.7	
132	18.7	15.3	
133	18.3	15.0	
134	17.9	14.6	
135	17.6	14.3	
136	17.2	14.0	
137	16.8	13.6	
138	16.4	13.3	
139	16.0	13.0	
140	15.6	12.8	

	1	2	3
141	15.3	12.3	
142	14.9	12.0	
143	14.5	11.6	
144	14.1	11.3	
145	13.7	11.0	
146	13.3	10.7	
147	12.9	10.3	
148	12.5	10.0	
149	12.2	9.7	
△ 150	11.8	9.4	
151	11.4	9.0	
152	11.0	8.7	
153	10.8	8.4	
154	10.2	8.1	
155	9.8	7.8	
156	9.4	7.5	
157	9.0	7.1	
158	8.6	6.8	
159	8.3	6.5	
160	7.9	6.2	
161	7.5	5.9	
162	7.1	5.6	
163	6.7	5.3	
164	6.3	4.9	
165	5.9	4.6	
166	5.5	4.3	
167	5.1	4.0	
168	4.7	3.7	
169	4.3	3.4	
170	3.9	3.1	
171	3.5	2.8	
172	3.2	2.5	
173	2.8	2.2	
174	2.4	1.8	
175	2.0	1.5	
176	1.6	1.2	
177	1.2	0.9	
178	0.8	0.6	
179	0.4	0.3	
△ 180	0.0	0.0	

A Lado del techo B Lado de la pared

1. Ángulo de la pared (grados) 2. Ángulo de bisel (grados) 3. Ángulo de inglete (grados)



	1	2	3
Δ 60		37.8	50.8
61		37.5	50.2
62		37.3	49.6
63		37.1	49.1
64		36.8	48.5
65		36.6	48.0
66		36.4	47.4
67		36.1	46.9
68		35.9	46.4
69		35.6	45.8
70		35.4	45.3
71		35.1	44.8
72		34.9	44.2
73		34.6	43.7
74		34.4	43.2
75		34.1	42.7
76		33.9	42.1
77		33.6	41.6
78		33.3	41.1
79		33.1	40.6
80		32.8	40.1
81		32.5	39.6
82		32.3	39.1
83		32.0	38.6
84		31.7	38.1
85		31.4	37.7
86		31.1	37.2
87		30.9	36.7
88		30.6	36.2
89		30.3	35.7
∠ 90		30.0	35.3
91		29.7	34.8
92		29.4	34.3
93		29.1	33.9
94		28.8	33.4
95		28.5	32.9
96		28.2	32.5
97		27.9	32.0
98		27.6	31.6
99		27.3	31.1
100		27.0	30.7

	1	2	3
101		26.7	30.2
102		26.4	29.8
103		26.1	29.4
104		25.8	28.9
105		25.5	28.5
106		25.2	28.1
107		24.9	27.6
108		24.6	27.2
109		24.2	26.8
110		23.9	26.3
111		23.6	25.9
112		23.3	25.5
113		23.0	25.1
114		22.7	24.7
115		22.3	24.3
116		22.0	23.8
117		21.7	23.4
118		21.4	23.0
119		21.0	22.6
∠ 120		20.7	22.2
121		20.4	21.8
122		20.0	21.4
123		19.7	21.0
124		19.4	20.6
125		19.1	20.2
126		18.7	19.8
127		18.4	19.4
128		18.1	19.0
129		17.7	18.6
130		17.4	18.2
131		17.1	17.9
132		16.7	17.5
133		16.4	17.1
134		16.0	16.7
135		15.7	16.3
136		15.4	15.9
137		15.0	15.6
138		14.7	15.2
139		14.3	14.8
140		14.0	14.4

	1	2	3
141		13.7	14.1
142		13.3	13.7
143		13.0	13.3
144		12.6	12.9
145		12.3	12.6
146		11.9	12.2
147		11.6	11.8
148		11.2	11.5
149		10.9	11.1
∠ 150		10.5	10.7
151		10.2	10.4
152		9.8	10.0
153		9.5	9.6
154		9.2	9.3
155		8.8	8.9
156		8.5	8.5
157		8.1	8.2
158		7.8	7.8
159		7.4	7.5
160		7.1	7.1
161		6.7	6.7
162		6.4	6.4
163		6.0	6.0
164		5.6	5.7
165		5.3	5.3
166		4.9	5.0
167		4.6	4.6
168		4.2	4.3
169		3.9	3.9
170		3.5	3.5
171		3.2	3.2
172		2.8	2.8
173		2.5	2.5
174		2.1	2.1
175		1.8	1.8
176		1.4	1.4
177		1.1	1.1
178		0.7	0.7
179		0.4	0.4
∠ 180		0.0	0.0

A Lado del techo B Lado de la pared

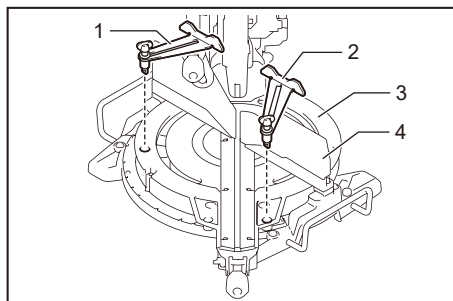
1. Ángulo de la pared (grados) 2. Ángulo de bisel (grados) 3. Ángulo de inglete (grados)

Topes para moldura de corona

Accesorio opcional

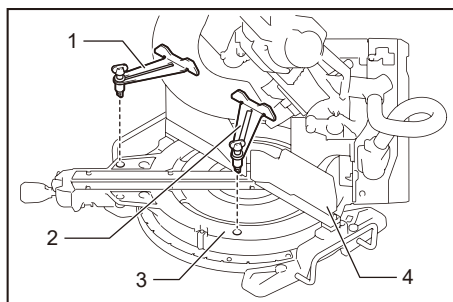
Los topes para moldura de corona permiten cortar más fácilmente una moldura de corona sin tener que inclinar el disco de la sierra. Instáloselos en la base giratoria tal como se muestra en las ilustraciones.

A un ángulo de inglete de 45° derecho



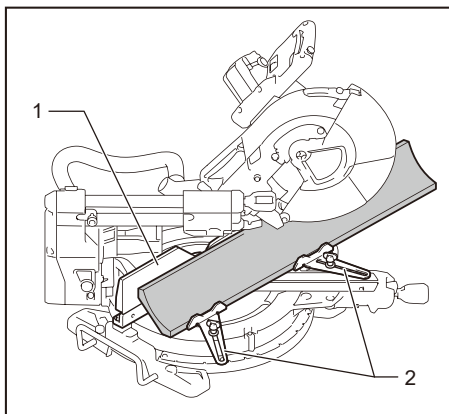
- 1. Tope para moldura de corona I 2. Tope para moldura de corona D 3. Base giratoria 4. Guía lateral

A un ángulo de inglete de 45° izquierdo

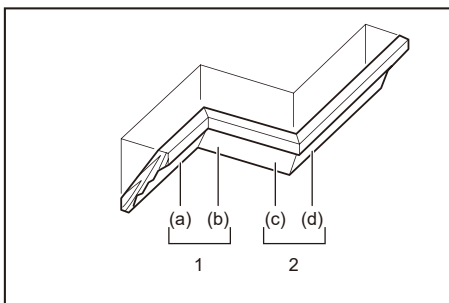


- 1. Tope para moldura de corona I 2. Tope para moldura de corona D 3. Base giratoria 4. Guía lateral

Coloque la moldura de corona con el BORDE DE CONTACTO CON LA PARED apoyado contra la guía lateral y el BORDE DE CONTACTO CON EL TECHO apoyado contra los topes para moldura de corona tal como se muestra en la ilustración. Ajuste los topes para moldura de corona según el tamaño de la moldura de corona. Apriete los tornillos para asegurar los topes para moldura de corona. Consulte la tabla (C) para ver el ángulo de inglete.



- 1. Guía lateral 2. Tope para moldura de corona

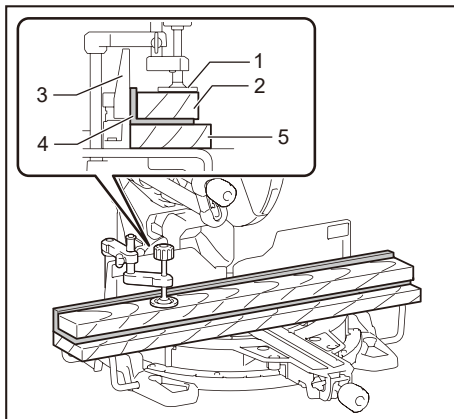


1. Rincón interno 2. Rincón externo

Tabla (C)

-	Posición de la moldura en la figura	Ángulo de inglete	Pieza terminada
Para rincón interno	(a)	Derecha 45°	Se conserva el lado derecho del disco
	(b)	Izquierda 45°	Se conserva el lado izquierdo del disco
Para rincón externo	(c)		Se conserva el lado derecho del disco
	(d)	Derecha 45°	Se conserva el lado izquierdo del disco

Corte de extrusión de aluminio



- 1. Prensa 2. Bloque espaciador 3. Guía lateral
4. Extrusión de aluminio 5. Bloque espaciador

Cuando asegure extrusiones de aluminio, utilice bloques espaciadores o piezas de desecho tal como se muestra en la figura para evitar la deformación del aluminio. Utilice un lubricante de corte cuando corte la extrusión de aluminio para evitar la acumulación de material de aluminio en el disco.

⚠ ADVERTENCIA: Nunca intente cortar extrusiones de aluminio gruesas o redondas. Las extrusiones de aluminio gruesas o redondas pueden ser difíciles de asegurar y la pieza de trabajo podría soltarse durante la operación de corte ocasionando la pérdida de control y lesiones personales graves.

Elemento auxiliar de madera

⚠ ADVERTENCIA: Use tornillos para fijar el elemento auxiliar de madera a la guía lateral. Los tornillos deberán colocarse de tal forma que las cabezas de éstos queden por debajo de la superficie del elemento auxiliar de madera para que no interfieran con la ubicación de la pieza de trabajo. Una mala alineación de la pieza de trabajo puede causar movimiento inesperado durante la operación de corte, el cual puede resultar en pérdida del control y en lesiones personales graves.

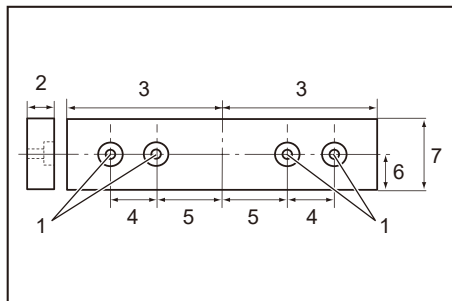
⚠ PRECAUCIÓN: Use una pieza recta de madera con un grosor uniforme para el elemento auxiliar de madera.

⚠ PRECAUCIÓN: Para poder cortar completamente a través de piezas de trabajo con una altura de 107 mm a 120 mm (4-1/4" a 4-3/4"), deberá usarse un elemento auxiliar de madera en la guía lateral. El elemento auxiliar de madera mantendrá un espacio entre la pieza de trabajo y la guía permitiendo que el disco efectúe un corte más profundo.

AVISO: Una vez que el elemento auxiliar de madera esté colocado, no gire la base giratoria si la empuñadura está abajo. Si lo hace, el disco y/o el elemento auxiliar de madera podrían dañarse.

El uso de elementos auxiliares de madera ayuda a realizar el corte de las piezas de trabajo libre de astillas. Acople un elemento auxiliar de madera a la guía lateral utilizando los orificios en la guía lateral y tornillos de 6 mm (1/4").

Observe la figura donde se muestran las dimensiones para el elemento auxiliar de madera sugerido.



- 1. Orificio 2. Más de 15 mm (9/16") 3. Más de 270 mm (10-5/8") 4. 90 mm (3-1/2") 5. 145 mm (5-3/4") 6. 19 mm (3/4") 7. 115 mm - 120 mm (4-1/2" - 4-3/4")

EJEMPLO Cuando corte piezas de trabajo de 115 mm (4-1/2") y 120 mm (4-3/4") de alto, utilice un elemento auxiliar de madera con el siguiente grosor.

Ángulo de inglete	Grosor del elemento auxiliar de madera	
	115 mm (4-1/2")	120 mm (4-3/4")
0°	20 mm (13/16")	38 mm (1-1/2")
Izquierda y derecha 45°	15 mm (9/16")	25 mm (1")
Izquierda y derecha 60°	15 mm (9/16")	25 mm (1")

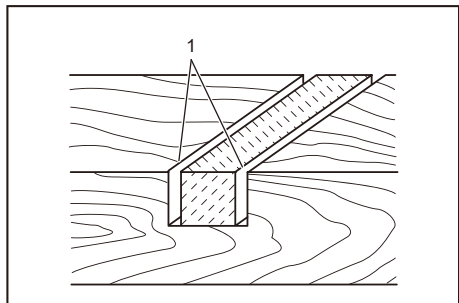
Corte de ranuras

⚠ ADVERTENCIA: No intente realizar este tipo de corte al usar un tipo de disco más ancho o discos para corte de ranuras. Intentar realizar un corte de ranura con un disco más ancho o con discos para cortes tipo ranura podría ocasionar resultados inesperados en el corte, así como retrocesos bruscos que resulten en lesiones personales graves.

⚠ ADVERTENCIA: Asegúrese de regresar el brazo de retención a la posición original al realizar un tipo de corte que no sea de ranura. Intentar realizar un corte con el brazo de retención en la posición incorrecta podría ocasionar resultados inesperados en el corte, así como retrocesos bruscos que resulten en lesiones personales graves.

Para realizar un corte de ranuras, haga lo siguiente:

1. Ajuste el límite inferior del disco con el tornillo de ajuste y el brazo de retención para restringir la profundidad de corte del disco. Consulte la sección "Brazo de retención" descrita anteriormente.
2. Tras ajustar la posición del límite inferior del disco, haga dos cortes paralelos a todo lo largo del ancho de la pieza de trabajo usando un corte por deslizamiento (empujando).



► 1. Corte de ranura con disco

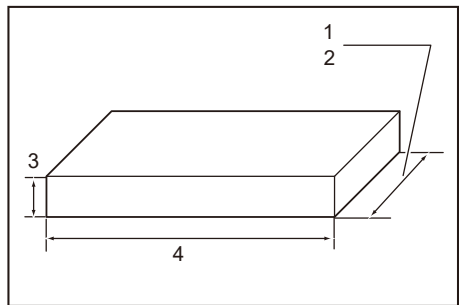
3. Retire el material de la pieza de trabajo que haya quedado en las ranuras con un cincel.

Técnica de capacidades de corte de ancho máximo especiales

La capacidad de corte de ancho máximo de esta herramienta puede lograrse siguiendo los pasos a continuación:

Para el corte de ancho máximo de esta herramienta, consulte la sección ESPECIFICACIONES bajo el título "Capacidades de corte especiales".

1. Ajuste la herramienta a un ángulo de inglete de 0° o 45° y asegúrese de que la base giratoria esté bloqueada. (Consulte la sección "Ajuste del ángulo de inglete").
2. Retire temporalmente las guías superiores tanto derecha como izquierda y colóquelas a un lado.
3. Corte una plataforma en las dimensiones que se indican en la ilustración usando un material plano de 38 mm (1-1/2") de grueso, tal como madera, madera contrachapada o madera prensada.

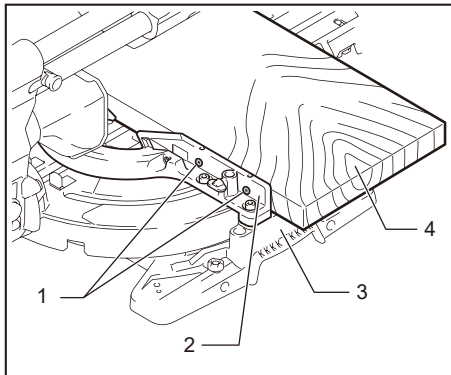


► 1. Ángulo de inglete de 0°: Más de 450 mm (17-3/4") 2. Ángulo de inglete de 45°: Más de 325 mm (12-3/4") 3. 38 mm (1-1/2") 4. Más de 760 mm (30")

ADVERTENCIA: Asegúrese de utilizar un material plano como plataforma. Un material que no sea plano podría moverse durante la operación de corte ocasionando un retroceso brusco y lesiones personales graves.

NOTA: La capacidad máxima de corte en altura se reducirá en la misma cantidad que el grosor de la plataforma.

4. Coloque la plataforma en la herramienta de manera que se extienda de igual forma sobre cada lado de la base de la herramienta. Asegure la plataforma a la herramienta usando cuatro tornillos para madera de 6 mm (1/4") a través de los cuatro orificios en las guías inferiores.



► 1. Tornillos (dos de cada lado) 2. Guía inferior 3. Base 4. Plataforma

ADVERTENCIA: Asegúrese de que la plataforma esté colocada de manera plana contra la base de la herramienta y firmemente asegurada a las guías inferiores usando los cuatro orificios suministrados para los tornillos. El no asegurar la plataforma de manera adecuada podría provocar el movimiento y un posible retroceso brusco ocasionando lesiones personales graves.

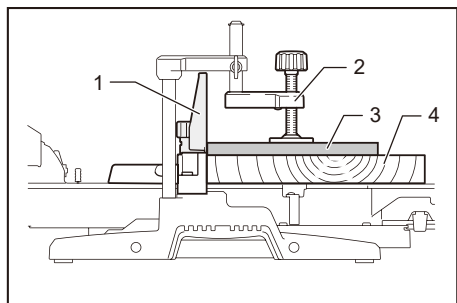
ADVERTENCIA: Asegúrese de que la herramienta esté firmemente montada sobre una superficie estable y plana. El no montar y asegurar la herramienta adecuadamente podría ocasionar la inestabilidad de ésta ocasionando la pérdida de control y/o que se cayera provocando lesiones personales graves.

5. Instale ambas guías superiores en la herramienta.

ADVERTENCIA: No utilice la herramienta sin las guías superiores instaladas. Las guías superiores proporcionan el soporte adecuado requerido para cortar la pieza de trabajo. Si la pieza de trabajo no cuenta con el soporte adecuado, ésta podría moverse provocando una posible pérdida de control, un retroceso brusco y lesiones personales graves.

6. Coloque la pieza de trabajo que va a cortar sobre la plataforma asegurada a la herramienta.

7. Asegure la pieza de trabajo firmemente contra las guías superiores con una prensa antes de cortar.



► 1. Guía superior 2. Prensa vertical 3. Pieza de trabajo 4. Plataforma

8. Realice un corte lentamente a través de la pieza de trabajo de acuerdo con la operación titulada “Corte por deslizamiento (empuje) (corte de piezas de trabajo anchas).”

⚠ADVERTENCIA: Asegúrese de que la pieza de trabajo esté asegurada con la prensa y haga el corte lentamente. El no seguir esta indicación podría causar que la pieza de trabajo se moviera ocasionando un posible retroceso brusco y lesiones personales graves.

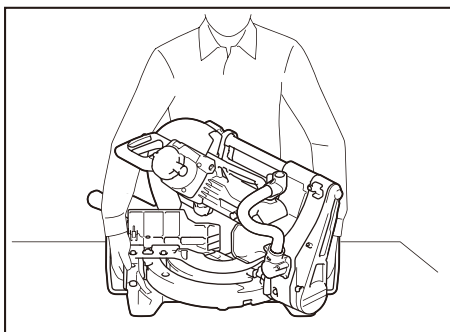
⚠ADVERTENCIA: Tenga presente que la plataforma podría ablandarse tras varios cortes en distintos ángulos de inglete. Si la plataforma se ablanda debido a múltiples cortes de la sierra en el material, la plataforma deberá ser reemplazada. Si la plataforma ablandada no es reemplazada, esto podría causar que la pieza de trabajo se moviera durante el corte, ocasionando un posible retroceso brusco y lesiones personales graves.

Transporte de la herramienta

Antes de transportar la sierra de inglete, asegúrese de que esté desconectada y que todas las piezas móviles estén aseguradas. Verifique siempre lo siguiente:

- Que la herramienta esté desconectada.
- Que el carro esté posicionado en un ángulo de bisel de 0° y asegurado.
- Que el carro se haya bajado y bloqueado.
- Que el carro se haya deslizado por completo hacia la guía lateral y bloqueado.
- Que la base giratoria esté posicionada totalmente en el ángulo de inglete derecho y asegurada.
- Que los soportes estén guardados y asegurados.

Transporte la herramienta sosteniendo ambos lados de su base tal como se muestra en la ilustración.



⚠ADVERTENCIA: La clavija de retención para la elevación del carro debe usarse únicamente para fines de transporte y almacenamiento y no para ninguna operación de corte. El uso de la clavija de retención para operaciones de corte puede causar un movimiento inesperado del disco de la sierra resultando en retrocesos bruscos y lesiones personales graves.

⚠PRECAUCIÓN: Asegúrese siempre de que todas las partes móviles se encuentran fijas antes de transportar la herramienta. Durante el transporte de la herramienta, el desplazamiento o deslizamiento de alguna de sus partes podría provocar la pérdida de control o equilibrio ocasionando lesiones personales.

MANTENIMIENTO

⚠ADVERTENCIA: Asegúrese siempre de que la herramienta esté apagada y desconectada antes de realizar cualquier trabajo de inspección o mantenimiento. El no apagar y desconectar la herramienta podría ocasionar lesiones personales graves a causa de un arranque accidental.

⚠ADVERTENCIA: Asegúrese de que el disco esté afilado y limpio para una operación óptima y segura. Intentar realizar cortes con un disco no afilado y/o sucio puede causar retrocesos bruscos y resultar en lesiones personales graves.

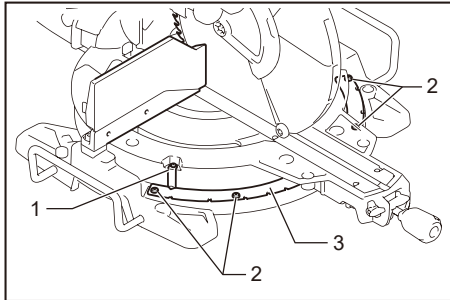
AVISO: Nunca use gasolina, bencina, diluyente (tíner), alcohol o sustancias similares. Puede que esto ocasione grietas o descoloramiento.

Ajuste del ángulo de corte

Esta herramienta ya viene cuidadosamente ajustada y alineada de fábrica, pero una manipulación descuidada podría afectar la alineación. Si su herramienta no está adecuadamente alineada, haga lo siguiente:

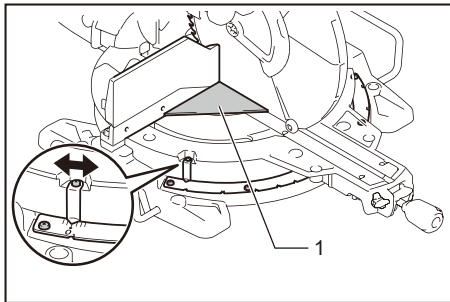
Ángulo de inglete

Baje la empuñadura por completo y bloquéela en la posición hacia abajo usando la clavija de retención. Empuje el carro hacia la guía lateral. Afloje la perilla y los tornillos que fijan el marcador y la escala del ángulo de inglete.



- 1. Tornillo en el marcador 2. Tornillos en la escala del ángulo de inglete 3. Escala del ángulo de inglete

Ajuste la base giratoria en la posición de 0° usando la función de tope de seguridad. Cuadre el lado del disco con la cara de la guía lateral usando una regla triangular o escuadra. Mientras los mantiene cuadrados, apriete los tornillos en la escala del ángulo de inglete. Después, alinee los marcadores (tanto el derecho como el izquierdo) con la posición de 0° en la escala del ángulo de inglete y luego apriete el tornillo en el marcador.

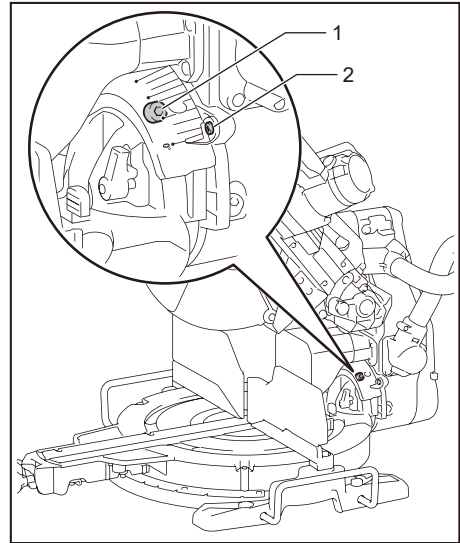


- 1. Regla triangular

Ángulo de bisel

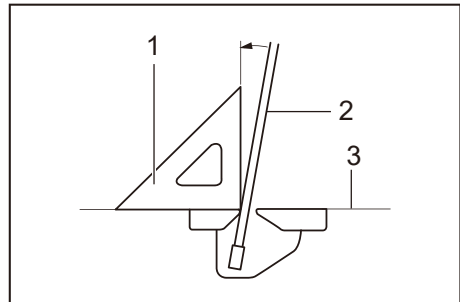
Ángulo de bisel de 0°

Empuje el carro hacia la guía lateral y bloquee el movimiento de deslizamiento usando la clavija de retención. Baje la empuñadura por completo y bloquéela en la posición hacia abajo usando la clavija de retención y luego afloje el pomo. Gire el pomo de ajuste a 0° dos o tres revoluciones en sentido inverso al de las manecillas del reloj para inclinar el disco hacia la derecha.



- 1. Perno de ajuste a 0° 2. Tornillo

Cuadre cuidadosamente el lado del disco con la parte superior de la base giratoria usando una regla triangular, escuadra, etc., y girando el pomo de ajuste a 0° en el sentido de las manecillas del reloj. Luego apriete el pomo firmemente para asegurar el ángulo de 0° previamente ajustado.



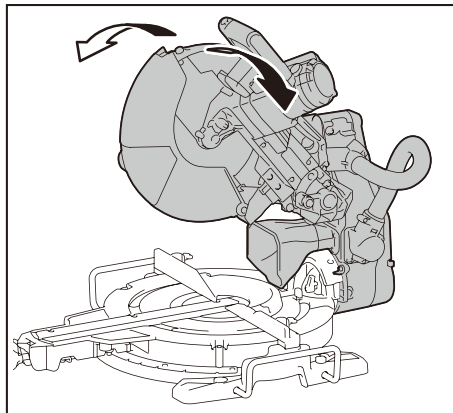
- 1. Regla triangular 2. Disco de la sierra 3. Parte superior de la base giratoria

Verifique nuevamente que el lado del disco cuadre con la parte superior de la base giratoria. Afloje el tornillo en el marcador. Alinee el marcador con la posición de 0° en la escala del ángulo de bisel y luego apriete el tornillo.

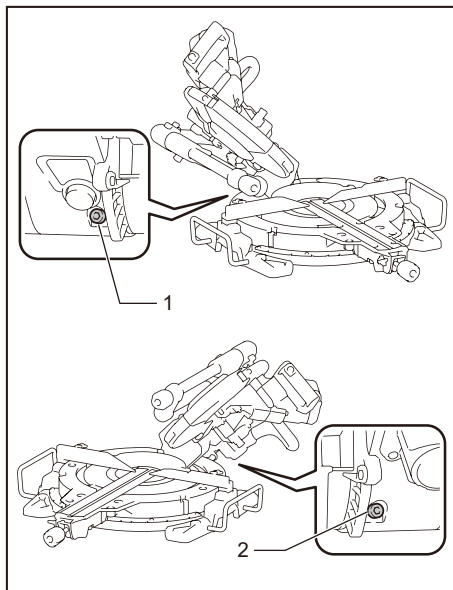
Ángulo de bisel de 45°

AVISO: Antes de ajustar el ángulo de bisel de 45°, termine de ajustar el ángulo de bisel de 0°.

Afloje el pomo e incline el carro completamente hacia el lado que desee verificar. Compruebe que el marcador indique la posición de 45° en la escala del ángulo de bisel.



De no ser así, alinéelo con la posición de 45° girando el perno de ajuste en el lado opuesto de la escala del ángulo de bisel.



► 1. Perno de ajuste a 45° a la izquierda 2. Perno de ajuste a 45° a la derecha

Ajuste de la posición de la línea de láser

Para el modelo LS1219L únicamente

⚠ADVERTENCIA: Para ajustar la línea de láser la herramienta deberá estar conectada. Tenga sumo cuidado de no encender la herramienta durante el ajuste. El encendido accidental de la herramienta puede resultar en lesiones personales graves.

⚠PRECAUCIÓN: Nunca dirija la mirada directamente al rayo láser. La exposición directa de los ojos al rayo podría causar daños serios a su vista.

AVISO: Verifique regularmente la posición de la línea de láser para una mayor precisión.

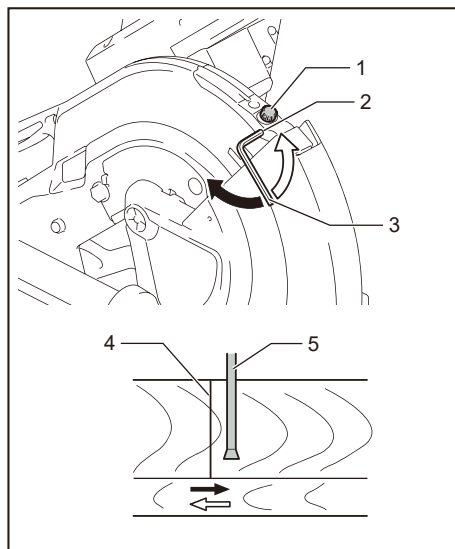
AVISO: Tenga cuidado de los impactos en la herramienta. Esto podría causar que la línea de láser se desalineara o provocar daños al láser acortando su vida útil.

AVISO: Lleve la herramienta a reparar a un centro de servicio autorizado de Makita en caso de haber alguna falla en la unidad láser.

El rango móvil de la línea de láser se determina mediante los tornillos de ajuste de rango a ambos lados. Realice los procedimientos de seguimiento para modificar la posición de la línea de láser.

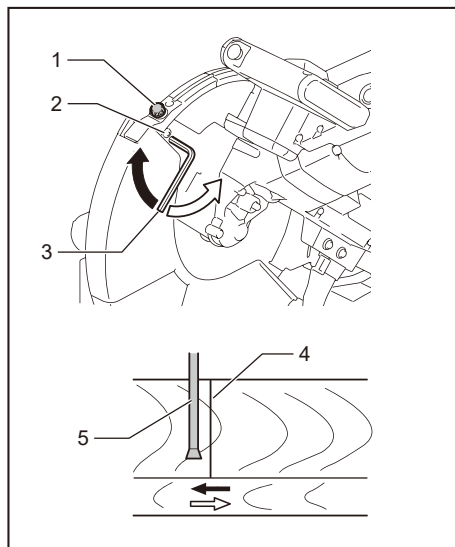
1. Desconecte la herramienta.
2. Trace una línea de corte en la pieza de trabajo y colóquela en la base giratoria. En este momento, no asegure la pieza de trabajo con una prensa o dispositivo similar.
3. Baje la empuñadura y alinee la línea de corte con el disco de la sierra.
4. Regrese la empuñadura a la posición original y asegure la pieza de trabajo con la prensa vertical de manera que la pieza de trabajo no se desplace de la posición previamente determinada.
5. Conecte la herramienta y encienda el interruptor para el láser.
6. Afloje el tornillo de ajuste. Para dirigir la línea de láser lejos del disco, gire los tornillos de ajuste de rango en sentido inverso al de las manecillas del reloj. Para dirigir la línea de láser cerca del disco, gire el tornillo de ajuste de rango en el sentido de las manecillas del reloj.

Ajuste de la línea de láser del lado izquierdo del disco



- 1. Tornillo de ajuste 2. Tornillo de ajuste de rango
3. Llave hexagonal 4. Línea de láser 5. Disco de la sierra

Ajuste de la línea de láser del lado derecho del disco



- 1. Tornillo de ajuste 2. Tornillo de ajuste de rango
3. Llave hexagonal 4. Línea de láser 5. Disco de la sierra

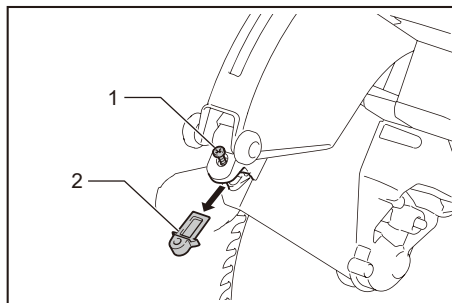
7. Deslice el tornillo de ajuste a la posición en la que la línea de láser se dirija a la línea de corte y luego apriételo.

NOTA: El rango móvil de la línea de láser está ajustado de fábrica dentro de 1 mm (0,04") desde la superficie lateral del disco.

Limpieza del lente de luz láser

Para el modelo LS1219L únicamente

La luz láser es difícil de visualizar si el lente para la luz láser se llega a ensuciar. Limpie el lente para la luz láser periódicamente.



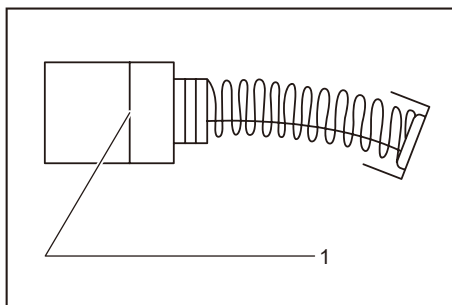
- 1. Tornillo 2. Lente

Desconecte la herramienta. Afloje el tornillo y saque el lente. Limpie el lente con cuidado usando un paño suave húmedo.

AVISO: No retire el tornillo que fija el lente. Si el lente no sale, afloje el tornillo todavía más.

AVISO: No utilice disolventes ni limpiadores a base de petróleo en el lente.

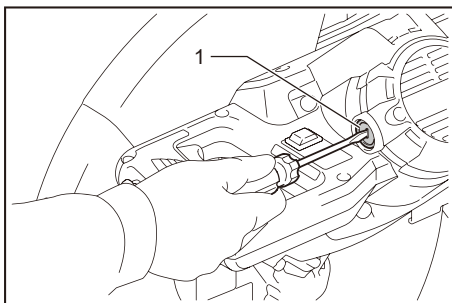
Reemplazo de las escobillas de carbón



- 1. Marca límite

Retire e inspeccione las escobillas de carbón regularmente. Sustitúyalas cuando se hayan gastado hasta la marca límite. Mantenga las escobillas de carbón limpias y de forma que entren libremente en los portaescobillas. Ambas escobillas de carbón deberán reemplazarse al mismo tiempo. Use únicamente escobillas de carbón idénticas.

Use un destornillador para retirar las tapas de los portaescobillas. Retire las escobillas de carbón desgastadas, inserte las nuevas y asegure las tapas de los portaescobillas.



► 1. Tapa del portaescobillas

Después de sustituir las escobillas, conecte la herramienta y haga el rodaje de las escobillas poniendo a funcionar la herramienta sin carga durante alrededor de 10 minutos. Luego verifique la herramienta mientras esté en marcha y la operación del freno eléctrico cuando suelte el gatillo interruptor. Si el freno eléctrico no está funcionando correctamente, lleve la herramienta a reparación a un centro de servicio Makita.

Luego del uso

Luego de utilizar la herramienta, limpie los restos de astillas y polvo con un paño o similar. Mantenga el protector del disco limpio de acuerdo con las instrucciones proporcionadas en la sección "Protector del disco". Lubrique las partes deslizantes con aceite para máquinas a fin de evitar que se oxiden.

Para mantener la SEGURIDAD y FIABILIDAD del producto, las reparaciones, y cualquier otra tarea de mantenimiento o ajuste deberán ser realizadas en centros de servicio autorizados o de fábrica Makita, empleando siempre repuestos Makita.

ACCESORIOS OPCIONALES

⚠ADVERTENCIA: Estos accesorios o aditamentos Makita están recomendados para utilizarse con su herramienta Makita que se especifica en este manual. El uso de cualquier otro accesorio o aditamento puede ocasionar lesiones personales graves.

⚠ADVERTENCIA: Use los accesorios o aditamentos Makita solamente para su propósito designado. El uso inapropiado de un accesorio o aditamento puede causar lesiones personales graves.

Si necesita cualquier ayuda para más detalles en relación con estos accesorios, pregunte a su centro de servicio local Makita.

- Discos de la sierra de acero y puntas de carburo
- Prensa vertical
- Prensa horizontal
- Conjunto de topes para moldura de corona
- Bolsa recolectora de polvo

- Regla triangular
- Llave hexagonal
- Llave hexagonal (para el modelo LS1219L)

NOTA: Algunos de los artículos en la lista pueden incluirse en el paquete de la herramienta como accesorios estándar. Éstos pueden variar de país a país.

GARANTÍA LIMITADA DE MAKITA

Ésta Garantía no aplica para México

Consulte la hoja de la garantía anexa para ver los términos más vigentes de la garantía aplicable a este producto. En caso de no disponer de esta hoja de garantía anexa, consulte los detalles sobre la garantía descritos en el sitio web de su país respectivo indicado a continuación.

Estados Unidos de América: www.makitatools.com

Canadá: www.makita.ca

Otros países: www.makita.com

WARNING

Some dust created by power sanding, sawing, grinding, drilling, and other construction activities contains chemicals known to the State of California to cause cancer, birth defects or other reproductive harm. Some examples of these chemicals are:

- lead from lead-based paints,
- crystalline silica from bricks and cement and other masonry products, and
- arsenic and chromium from chemically-treated lumber.

Your risk from these exposures varies, depending on how often you do this type of work. To reduce your exposure to these chemicals: work in a well ventilated area, and work with approved safety equipment, such as those dust masks that are specially designed to filter out microscopic particles.

< Sólo en los Estados Unidos >

ADVERTENCIA

Algunos polvos creados por el lijado, aserrado, esmerilado, taladrado y otras actividades de la construcción contienen sustancias químicas reconocidas por el Estado de California como causantes de cáncer, defectos de nacimiento y otros peligros de reproducción. Algunos ejemplos de estos productos químicos son:

- plomo de pinturas a base de plomo,
- sílice cristalino de ladrillos y cemento y otros productos de albañilería, y
- arsénico y cromo de maderas tratadas químicamente.

El riesgo al que se expone varía, dependiendo de la frecuencia con la que realice este tipo de trabajo. Para reducir la exposición a estos productos químicos: trabaje en un área bien ventilada y póngase el equipo de seguridad indicado, tal como las máscaras contra polvo que están especialmente diseñadas para filtrar partículas microscópicas.

Makita Corporation

3-11-8, Sumiyoshi-cho,
Anjo, Aichi 446-8502 Japan

www.makita.com

885618A943
LS1219-1
EN, FRCA, ESMX
20170810