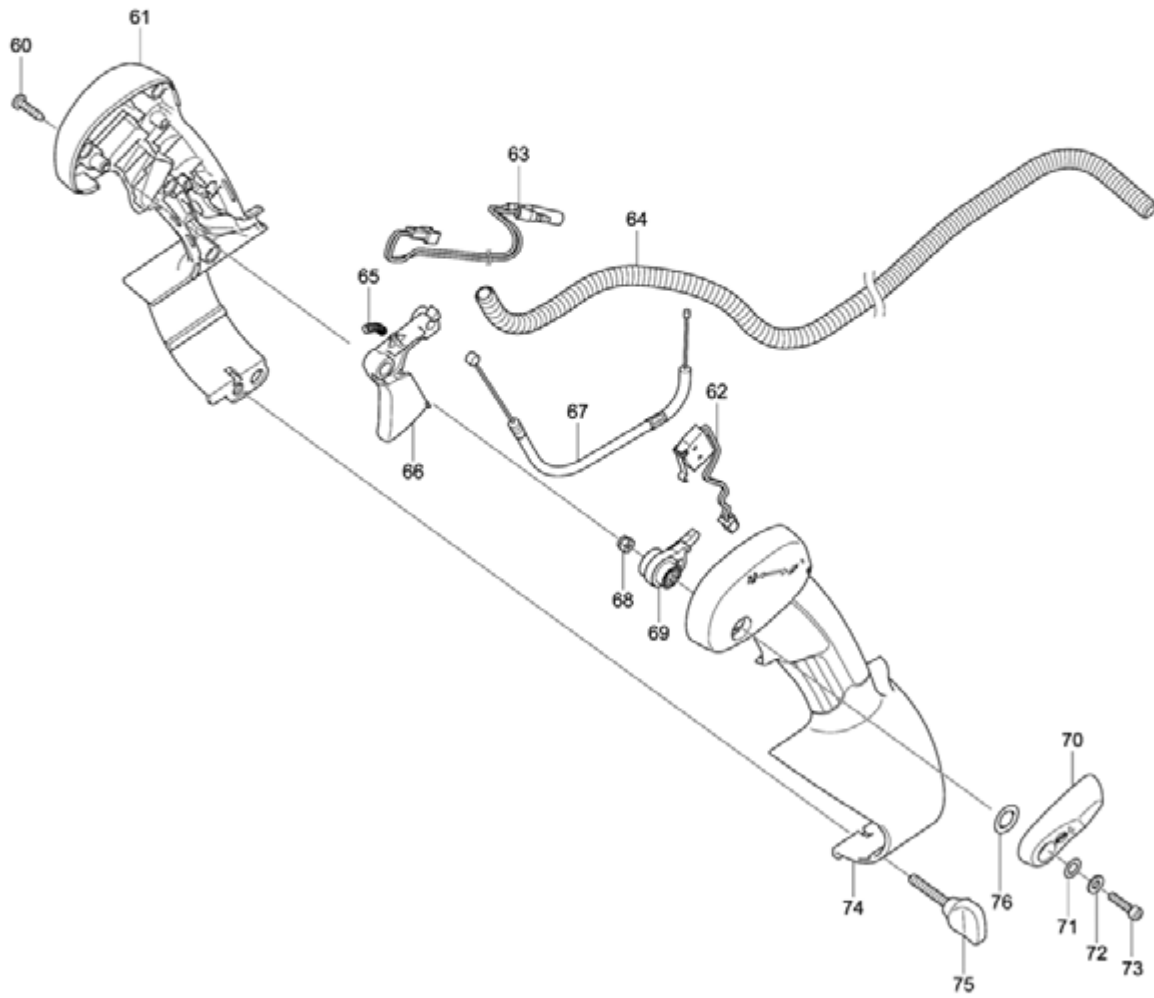
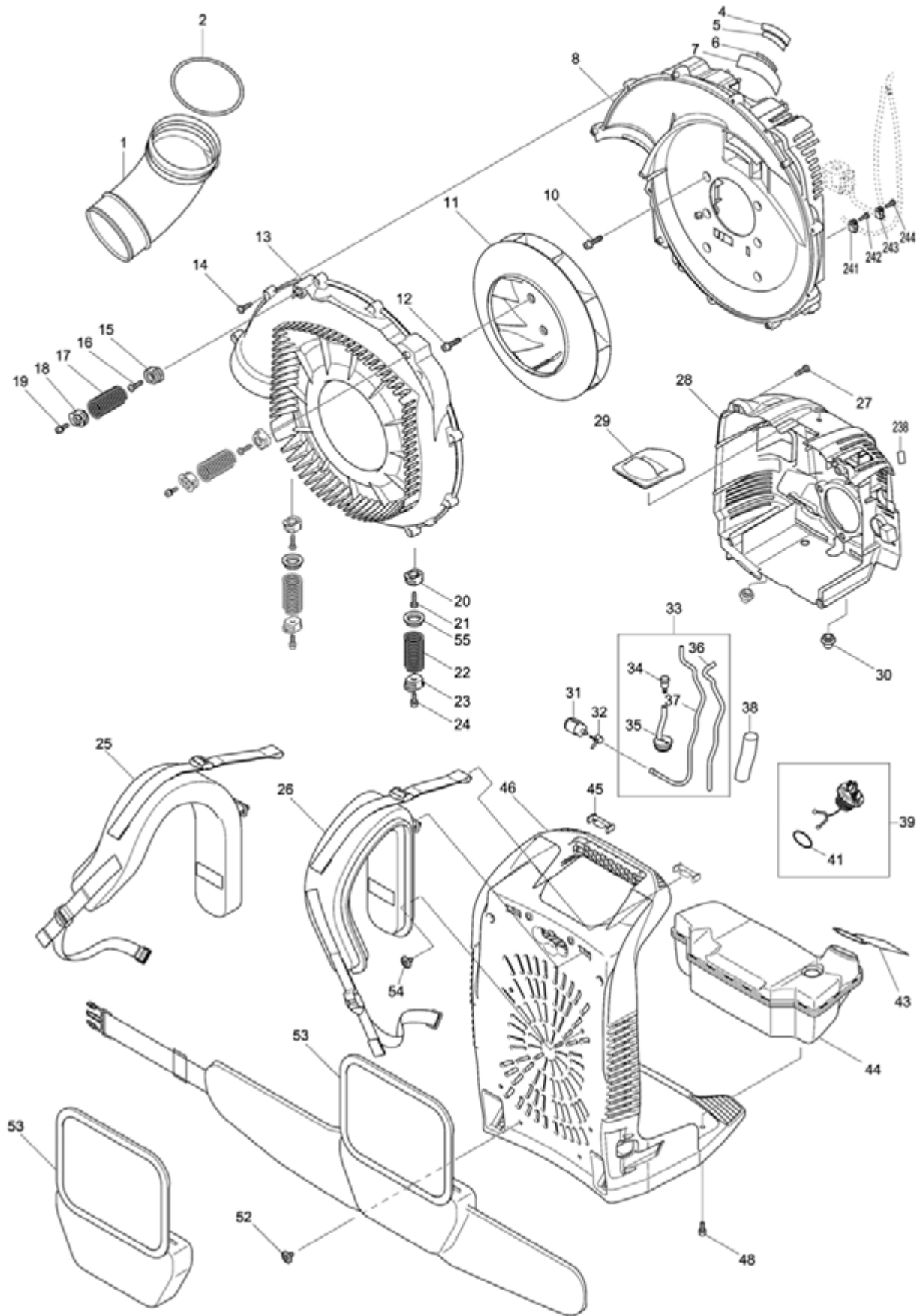


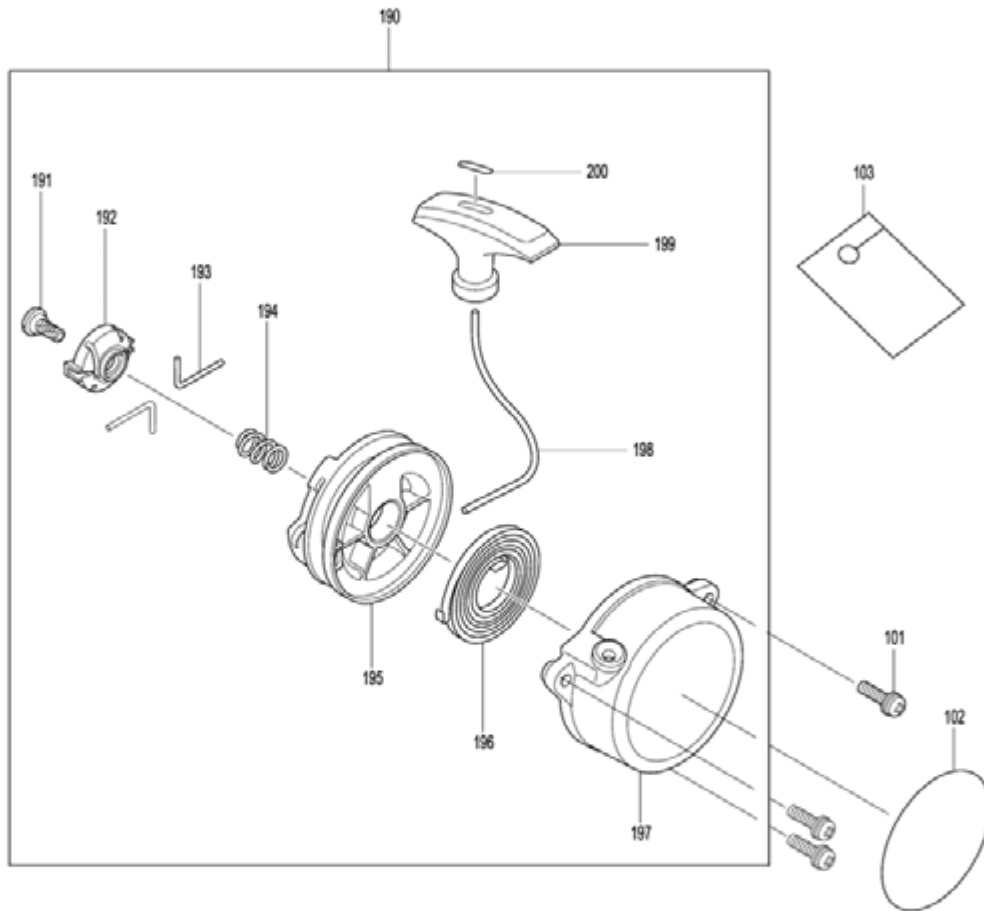
Model No.EB7660TH PETROL BLOWER



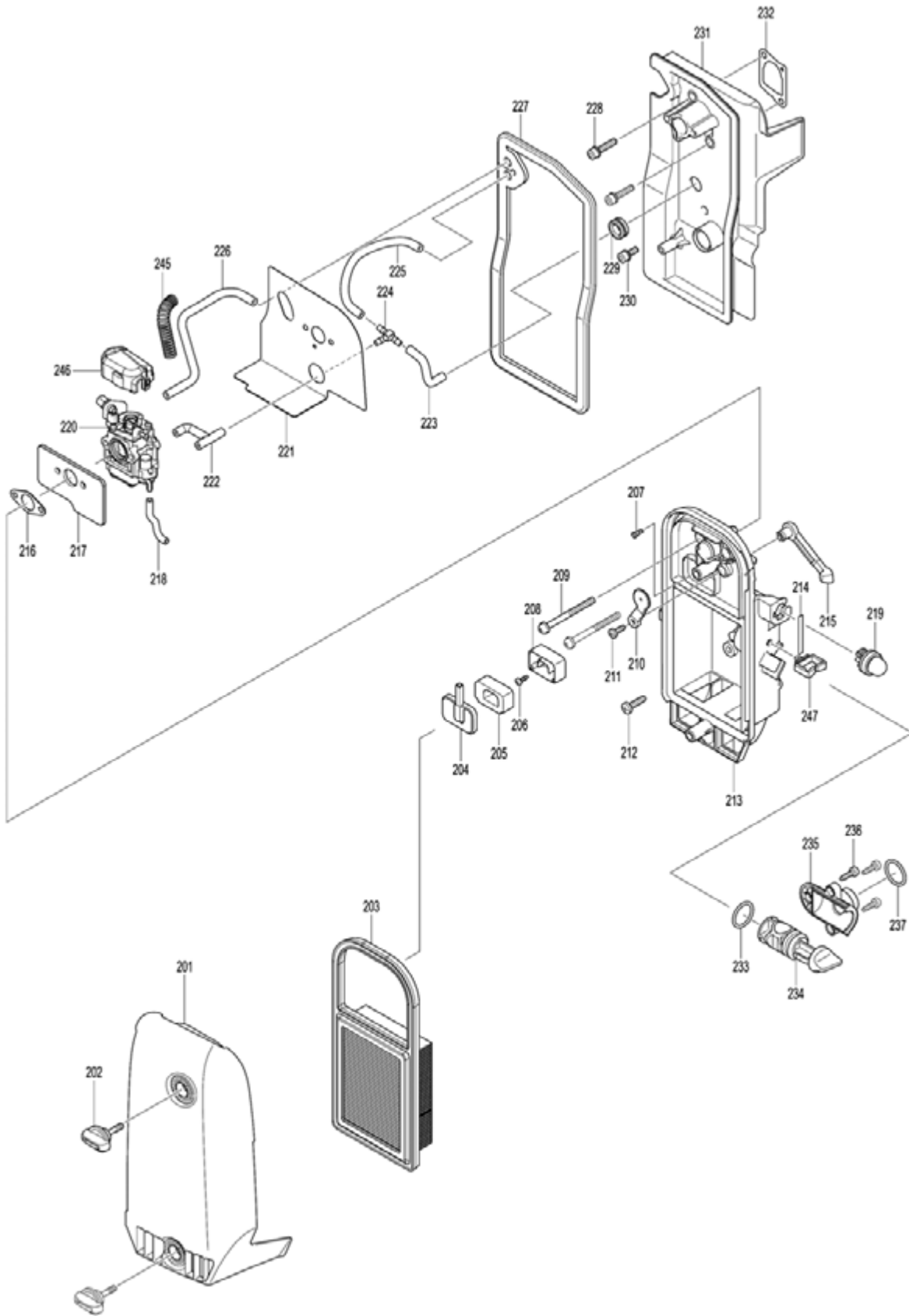
Model No.EB7660TH PETROL BLOWER



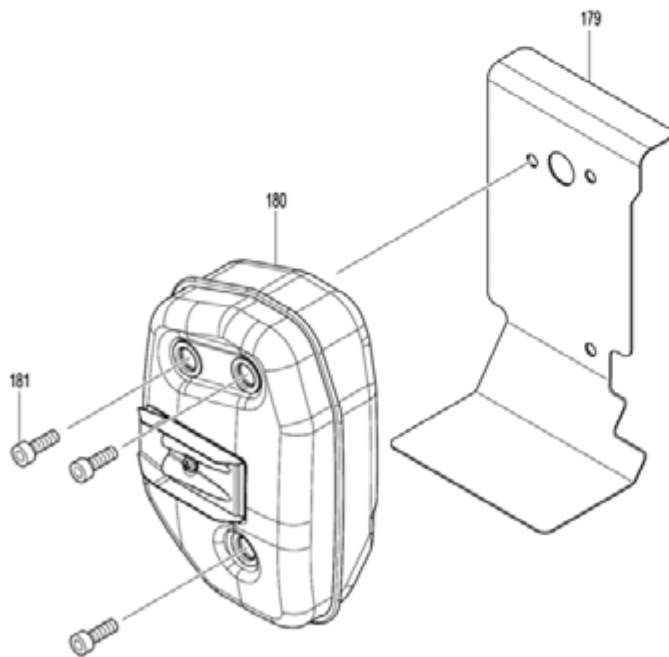
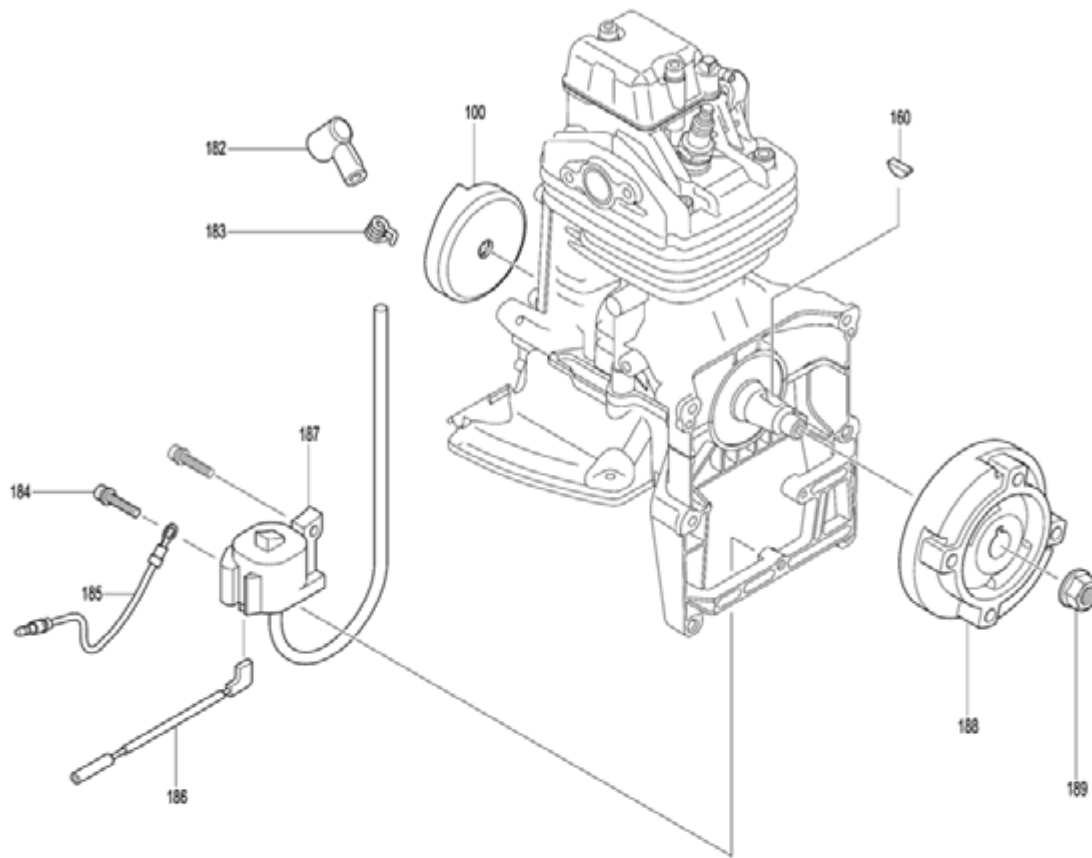
Model No.EB7660TH PETROL BLOWER



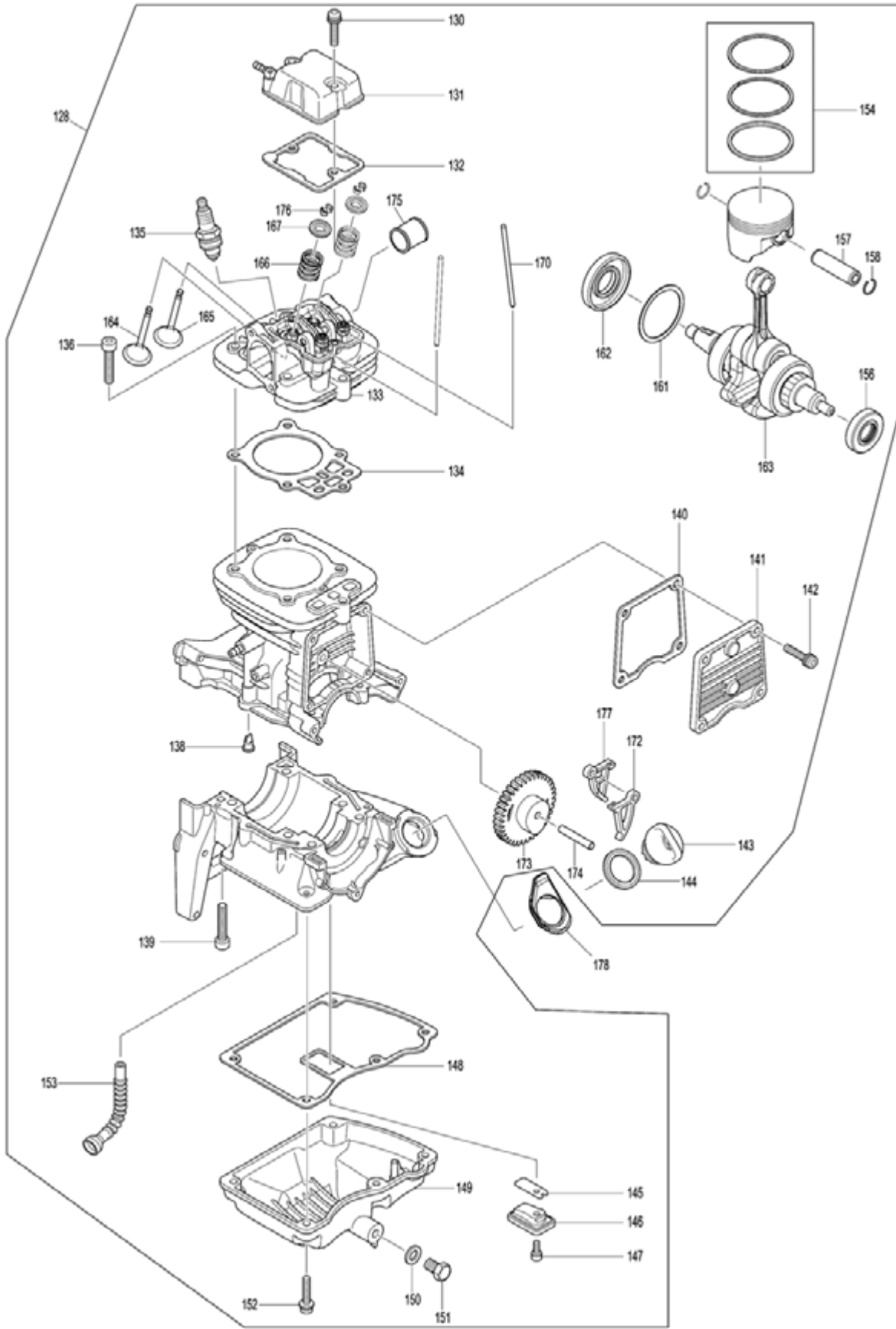
Model No.EB7660TH PETROL BLOWER



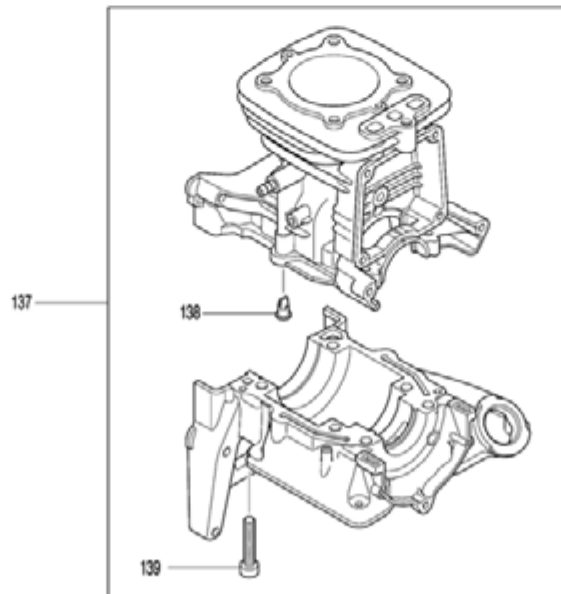
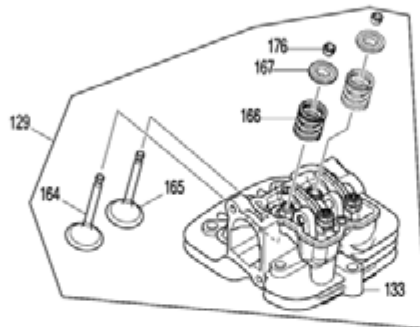
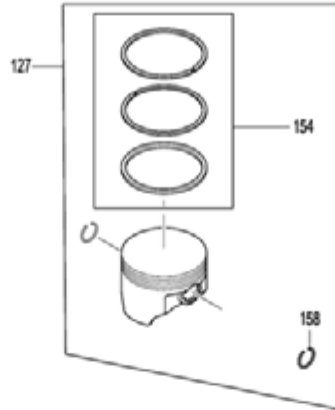
Model No.EB7660TH PETROL BLOWER



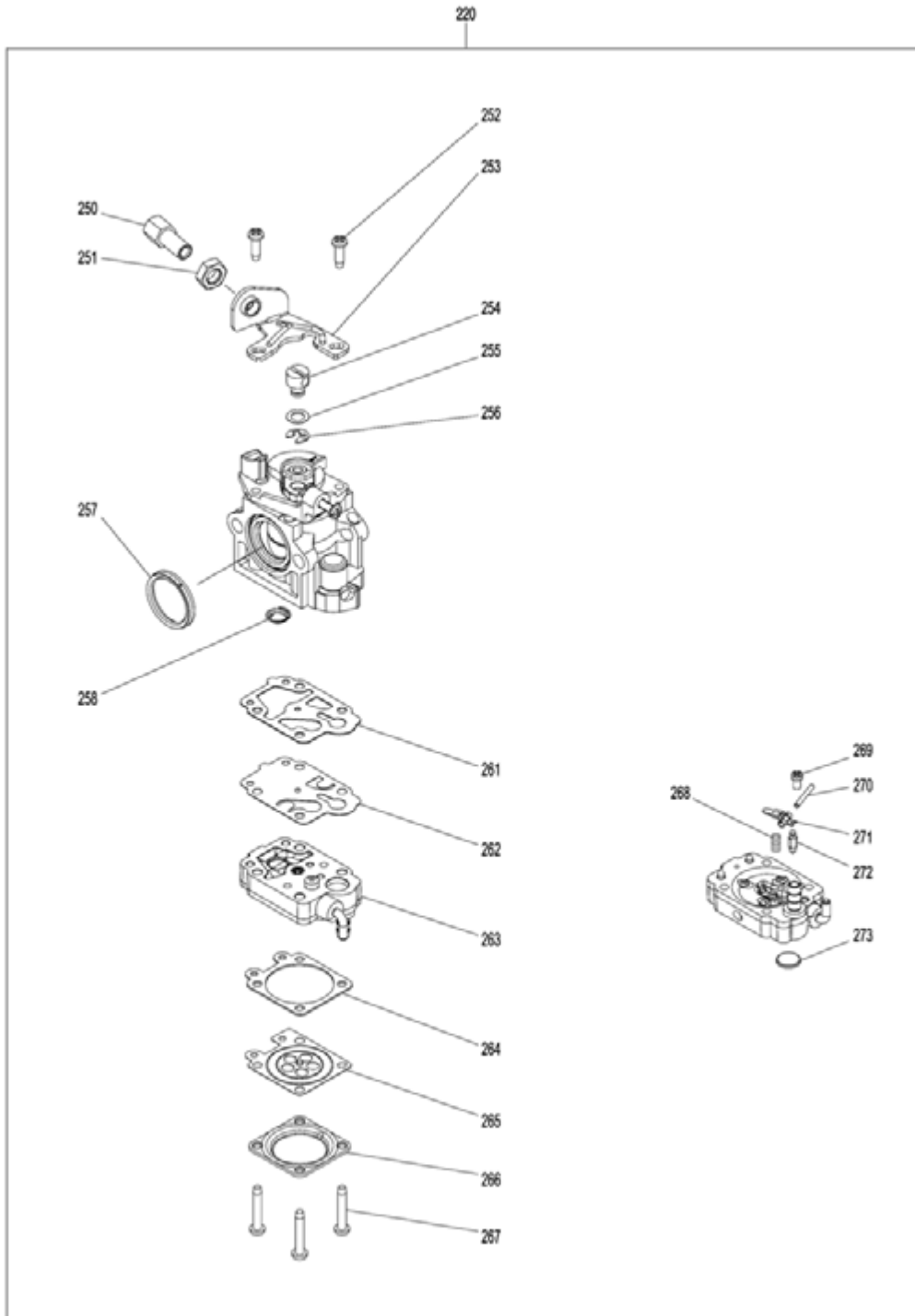
Model No.EB7660TH PETROL BLOWER



Model No.EB7660TH PETROL BLOWER



Model No.EB7660TH PETROL BLOWER



Model No.EB7660TH PETROL BLOWER

| Item | Parts No. | Description | I/C | Qty | New/Old | Opt. 1 | Opt. 2 | Note |
|-------|-----------|--------------------------|-----|-----|---------|--------|--------|------|
| 001 | 412144-8 | ELBOW | | 1 | | | | |
| 002 | 213645-7 | O RING 93 | | 1 | | | | |
| 005 | 803T61-7 | CAUTION LABEL | | 1 | | | | |
| 006 | 801D19-4 | SERIAL NO. LABEL | | 1 | | | | |
| 008 | 456398-7 | FRONT VOLUTE CASE | | 1 | | | | |
| 010 | 922343-9 | H.S.H.BOLT M6X25 WITH WR | | 6 | | | | |
| 011 | 240152-7 | FAN 250 | | 1 | | | | |
| 012 | 922343-9 | H.S.H.BOLT M6X25 WITH WR | | 4 | | | | |
| 013 | 456620-2 | REAR VOLUTE CASE | | 1 | | | | |
| 014 | 266420-0 | TAPPING SCREW 5X20 | | 11 | | | | |
| 015 | 454903-4 | SPRING HOLDER A | | 2 | | | | |
| 016 | 266420-0 | TAPPING SCREW 5X20 | | 2 | | | | |
| 017 | 232304-4 | COMPRESSION SPRING 22 | | 2 | | | | |
| 018 | 454904-2 | SPRING HOLDER B | | 2 | | | | |
| 019 | 922223-9 | H.S.H.BOLT M5X16 WITH WR | | 2 | | | | |
| 020 | 454903-4 | SPRING HOLDER A | | 2 | | | | |
| 021 | 266420-0 | TAPPING SCREW 5X20 | | 2 | | | | |
| 022 | 232305-2 | COMPRESSION SPRING 22 | | 2 | | | | |
| 023 | 454904-2 | SPRING HOLDER B | | 2 | | | | |
| 024 | 922223-9 | H.S.H.BOLT M5X16 WITH WR | | 2 | | | | |
| 025 | 161534-9 | BAND L COMPLETE | | 1 | * | | | |
| 025-1 | 162501-7 | BAND L COMPLETE | O | 1 | | | | |
| 026 | 161535-7 | BAND R COMPLETE | | 1 | * | | | |
| 026-1 | 162502-5 | BAND R COMPLETE | O | 1 | | | | |
| 027 | 266420-0 | TAPPING SCREW 5X20 | | 4 | | | | |
| 028 | 143809-8 | ENGINE COVER COMPLETE | | 1 | | | | |
| C10 | 898343-0 | CAUTION LABEL | | 1 | | | | |
| 029 | 424619-5 | PLUG COVER | | 1 | | | | |
| 030 | 424620-0 | DAMPER | | 2 | | | | |
| 031 | 163532-9 | FILTER | | 1 | | | | |
| 032 | 345920-4 | HOSE CLAMP | | 1 | | | | |
| 033 | 126138-4 | FUEL TUBE ASSEMBLY | | 1 | | | | |
| D10 | | INC. 34-37 | | | | | | |
| 034 | 168396-6 | BREATHER | | 1 | | | | |
| 035 | 424505-0 | FUEL GROMMET | | 1 | | | | |
| 036 | 412120-2 | FUEL TUBE 3-370 | | 1 | | | | |
| 037 | 412114-7 | FUEL TUBE 3-370 | | 1 | | | | |
| 038 | 422137-7 | TUBE GUARD 20-102 | | 1 | | | | |
| 039 | 140831-6 | TANK CAP COMPLETE | | 1 | * | | | |
| D10 | | INC. 41 | | | * | | | |
| 039-1 | 140H45-5 | TANK CAP COMPLETE | O | 1 | | | | |
| D10 | | INC. 41 | | | | | | |

Please order the parts with part number.

Print Date 27/3/2020

Model No.EB7660TH PETROL BLOWER

| Item | Parts No. | Description | I/C | Qty | New/Old | Opt. 1 | Opt. 2 | Note |
|-------|------------|-----------------------------|-----|-----|---------|--------|--------|------|
| 041 | 213831-0 | O-RING 29.5 | | 1 | * | | | |
| 041-1 | 213080-9 | O RING 29.5 | O | 1 | | | | |
| 043 | 898428-2 | CAUTION PLATE | | 1 | | | | |
| 044 | 142427-9 | FUEL TANK COMPLETE | | 1 | | | | |
| 045 | 454905-0 | BAND HOLDER | | 2 | | | | |
| 046 | 454894-9 | FRAME | | 1 | | | | |
| 048 | 922223-9 | H.S.H.BOLT M5X16 WITH WR | | 2 | | | | |
| 052 | 6672500300 | LOCK RIVET | | 4 | * | | | |
| 052-1 | 458158-3 | RIVET 6 | O | 4 | | | | |
| 053 | 196956-4 | HIP BELT SET | | 1 | * | | | |
| 053-1 | 199239-1 | HIP BELT SET | < | 1 | | | | |
| 054 | 6672500300 | LOCK RIVET | | 2 | * | | | |
| 054-1 | 458158-3 | RIVET 6 | O | 2 | | | | |
| 055 | 424678-9 | RUBBER RING 25 | | 2 | | | | |
| 060 | 266326-2 | TAPPING SCREW 4X18 | | 5 | | | | |
| 061 | 187804-8 | LEVER CASE SET | | 1 | * | | | |
| C10 | 252898-3 | INSERT NUT M5-7 | | 1 | * | | | |
| D10 | | INC. 74 | | | * | | | |
| 061-1 | 187804-8 | LEVER CASE SET | O | 1 | * | | | |
| D10 | | INC. 74 | | | * | | | |
| 061-2 | 187804-8 | LEVER CASE SET | O | 1 | | | | |
| D10 | | INC. 74 | | | | | | |
| 062 | 638642-6 | SWITCH UNIT | | 1 | | | | |
| 063 | 632C07-2 | LEAD UNIT | | 1 | | | | |
| 064 | 456895-3 | CORRUGATE TUBE | | 1 | | | | |
| 065 | 231469-9 | COMPRESSION SPRING 4 | | 1 | | | | |
| 066 | 454899-9 | THROTTLE LEVER A | | 1 | | | | |
| 067 | 168843-7 | CONTROL CABLE | | 1 | | | | |
| 068 | 252126-6 | HEX. LOCKING NUT M4-7 | | 1 | | | | |
| 069 | 454924-6 | THROTTLE LINK | | 1 | | | | |
| 070 | 454900-0 | THROTTLE LEVER B | | 1 | | | | |
| 071 | 253903-9 | WAVE WASHER 6 | | 1 | | | | |
| 072 | 267010-2 | FLAT WASHER 5 | | 1 | | | | |
| 073 | 922132-2 | HEX. SOCKET HEAD BOLT M4X18 | | 1 | | | | |
| 074 | 187804-8 | LEVER CASE SET | | 1 | * | | | |
| C10 | 252898-3 | INSERT NUT M5-7 | | 1 | * | | | |
| D10 | | INC. 61 | | | * | | | |
| 074-1 | 187804-8 | LEVER CASE SET | O | 1 | * | | | |
| D10 | | INC. 61 | | | * | | | |
| 074-2 | 187804-8 | LEVER CASE SET | O | 1 | | | | |
| D10 | | INC. 61 | | | | | | |
| 075 | 265762-9 | THUMB SCREW M5X30 | | 1 | | | | |

Please order the parts with part number.

Print Date 27/3/2020

Model No.EB7660TH PETROL BLOWER

| Item | Parts No. | Description | I/C | Qty | New/Old | Opt. 1 | Opt. 2 | Note |
|-------|------------|-----------------------------|-----|-----|---------|--------|--------|------|
| 076 | 253052-2 | FLAT WASHER 12 | | 1 | | | | |
| 090 | 282025-8 | HOSE CLAMP 100 | | 1 | | | | |
| 091 | 454934-3 | FLEXIBLE PIPE | | 1 | | | | |
| 092 | 282025-8 | HOSE CLAMP 100 | | 1 | | | | |
| 093 | 168832-2 | SWIVEL PIPE COMPLETE | | 1 | * | | | |
| 093-1 | 161653-1 | SWIVEL PIPE COMPLETE | O | 1 | | | | |
| 094 | 456400-6 | CABLE HOLDER | | 1 | | | | |
| 100 | 5975500000 | PULLEY | | 1 | * | | | |
| 100-1 | 161599-1 | PULLEY | O | 1 | | | | |
| 101 | 911233-1 | PAN HEAD SCREW M5X20 | | 3 | | | | |
| 102 | 808X24-2 | EB7660TH MODEL NO. LABEL | | 1 | | | | |
| 103 | 819430-2 | CAUTION TAG | | 1 | | | | |
| 127 | 198209-7 | PISTON SET | | 1 | | | | |
| D10 | | INC. 154,158 | | | | | | |
| 128 | 198211-0 | SHORT BLOCK SET | | 1 | * | | | |
| 128-1 | 199132-9 | SHORT BLOCK SET | S | 1 | | | | |
| 129 | 198224-1 | CYLINDER HEAD SET | | 1 | | | | |
| D10 | | INC. 133,164-167,176 | | | | | | |
| 130 | 922253-0 | H.S.H.BOLT M5X30 WITH WR | | 2 | | | | |
| 131 | 141771-1 | ROCKER COVER COMPLETE | | 1 | * | | | |
| 131-1 | 144766-3 | ROCKER COVER COMPLETE | S | 1 | | | | |
| 132 | 5971500900 | ROCKER COVER GASKET | | 1 | | | | |
| 133 | 123557-5 | CYLINDER HEAD ASSEMBLY | | 1 | | | | |
| 134 | 442167-2 | CYLINDER HEAD GASKET | | 1 | | | | |
| 135 | 168652-4 | SPARK PLUG | | 1 | | | | |
| 136 | 265566-9 | HEX SOCKET HEAD BOLT M6X30 | | 5 | | | | |
| 137 | 198210-2 | CYLINDER BLOCK SET | | 1 | | | | |
| D10 | | INC. 138,139 | | | | | | |
| 138 | 424201-0 | CHECK VALVE | | 2 | | | | |
| 139 | 922352-8 | HEX. SOCKET HEAD BOLT M6X30 | | 6 | | | | |
| 140 | 442168-0 | CAM GEAR GASKET | | 1 | | | | |
| 141 | 318725-5 | CAM GEAR COVER | | 1 | | | | |
| 142 | 266813-1 | H.S.H.BOLT M5X16 WITH WR | | 4 | * | | | |
| 142-1 | 922223-9 | H.S.H.BOLT M5X16 WITH WR | O | 4 | | | | |
| 143 | 452047-4 | OIL CAP | | 1 | | | | |
| 144 | 424343-0 | GASKET | | 1 | | | | |
| 145 | 346083-9 | LEAD VALVE | | 1 | | | | |
| 146 | 319395-3 | RETAINER PLATE | | 1 | | | | |
| 147 | 0119049980 | SOCKET HEAD BOLT M4X10 | | 1 | * | | | |
| 147-1 | 922117-8 | HEX. SOCKET HEAD BOLT M4X12 | O | 1 | | | | |
| 148 | 5976500100 | OIL CASE GASKET | | 1 | | | | |

Please order the parts with part number.

Print Date 27/3/2020

Model No.EB7660TH PETROL BLOWER

| Item | Parts No. | Description | I/C | Qty | New/Old | Opt. 1 | Opt. 2 | Note |
|-------|------------|-----------------------------|-----|-----|---------|--------|--------|------|
| 149 | 319008-6 | OIL CASE | | 1 | | | | |
| 150 | 346452-4 | GASKET | | 1 | | | | |
| 151 | 921412-3 | HEX. BOLT M8X12 | | 1 | | | | |
| 152 | 922243-3 | HEX. SOCKET HEAD BOLT M5X25 | | 5 | | | | |
| 153 | 5936500600 | TUBE,OIL | | 1 | | | | |
| 154 | 197040-8 | PISTON RING SET | | 1 | | | | |
| 156 | 213091-4 | OIL SEAL 17 | | 1 | | | | |
| 157 | 326039-8 | PISTON PIN | | 1 | | | | |
| 158 | 233995-4 | RING SPRING 12 | | 2 | | | | |
| 160 | 254001-2 | WOODRUFF KEY 4 | | 1 | | | | |
| 161 | 267448-1 | FLAT WASHER 41 | | 1 | | | | |
| 162 | 213090-6 | OIL SEAL(L) | | 1 | | | | |
| 163 | 143972-7 | CRANK SHAFT COMPLETE | | 1 | * | | | |
| 163-1 | 127539-9 | CRANKSHAFT ASSEMBLY | O | 1 | | | | |
| 164 | 326691-2 | INTAKE VALVE | | 1 | | | | |
| 165 | 326692-0 | EXHAUST VALVE | | 1 | | | | |
| 166 | 234212-5 | COMPRESSION SPRING 11 | | 2 | | | | |
| 167 | 331966-6 | RETAINER | | 2 | | | | |
| 170 | 256526-2 | PUSH ROD | | 2 | | | | |
| 172 | 310715-4 | CAM LIFTER L | | 1 | | | | |
| 173 | 5973002002 | CAMGEAR ASSY | | 1 | * | | | |
| 173-1 | 126622-9 | CAMGEAR ASSEMBLY | < | 1 | | | | |
| 174 | 256200-2 | PIN 5 | | 1 | | | | |
| 175 | 331937-3 | EXHAUST PORT SPACER | | 1 | | | | |
| 176 | 331967-4 | COTTER | | 4 | | | | |
| 177 | 313267-4 | CAM LIFTER R | | 1 | | | | |
| 178 | 424621-8 | OIL GUARD | | 1 | | | | |
| 179 | 346979-4 | MUFFLER GASKET | | 1 | | | | |
| 180 | 161408-4 | MUFFLER | | 1 | | | | |
| C10 | 911108-4 | PAN HEAD SCREW M4X8 | | 1 | | | | |
| 181 | 266771-1 | SOCKET HEAD BOLT M6X18 | | 3 | | | | |
| 182 | 424105-6 | PLUG CAP | | 1 | | | | |
| 183 | 324891-8 | PLUG CAP SPRING | | 1 | | | | |
| 184 | 0119049970 | SOCKET HEAD BOLT M4X20 | | 2 | * | | | |
| 184-1 | 922138-0 | H.S.H.BOLT M4X20 WITH WR | O | 2 | | | | |
| 185 | 632G44-0 | LEAD UNIT | | 1 | | | | |
| 186 | 638710-5 | LEAD WIRE | | 1 | | | | |
| 187 | 5977001010 | IGNITION COIL | | 1 | * | | | |
| 187-1 | 161837-1 | IGNITION COIL | O | 1 | | | | |
| 188 | 5977001020 | FLYWHEEL COMPL | | 1 | * | | | |
| 188-1 | 319170-7 | FLYWHEEL | < | 1 | | | | |
| 189 | 264054-3 | FLANGE NUT M10 | | 1 | | | | |

Please order the parts with part number.

Print Date 27/3/2020

Model No.EB7660TH PETROL BLOWER

| Item | Parts No. | Description | I/C | Qty | New/Old | Opt. 1 | Opt. 2 | Note |
|-------|------------|---------------------------------|-----|-----|---------|--------|--------|------|
| 190 | 126165-1 | RECOIL | | 1 | | | | |
| D10 | | INC. 191-200 | | | | | | |
| 191 | 266585-8 | TAPPING SCREW 5X12 | | 1 | | | | |
| 192 | 424516-5 | COLLAR | | 1 | | | | |
| 193 | 326200-7 | SWING ARM | | 2 | | | | |
| 194 | 234257-3 | FRICITION SPRING | | 1 | | | | |
| 195 | 441075-4 | REEL | | 1 | | | | |
| 196 | 232262-4 | SPIRAL SPRING | | 1 | * | | | |
| 196-1 | SG00000014 | SPIRAL SPRING | O | 1 | | | | |
| 197 | 141649-8 | STARTER CASE COMPLETE | | 1 | | | | |
| 198 | 444043-6 | STARTER ROPE | | 1 | | | | |
| 199 | 424361-8 | STARTER KNOB | | 1 | | | | |
| 200 | 424360-0 | ROPE STOPPER | | 1 | | | | |
| 201 | 456618-9 | AIR CLEANER COVER | | 1 | | | | |
| 202 | 251481-3 | THUMB SCREW M5X20 | | 2 | | | | |
| 203 | 424809-0 | AIR CLEANER ELEMENT | | 1 | | | | |
| 204 | 162346-3 | SEPARATOR PLATE | | 1 | | | | |
| 205 | 352020-3 | SEPARATOR MESH | | 1 | | | | |
| 206 | 266404-8 | TAPPING SCREW BIND 3X14 | | 1 | | | | |
| 207 | 424316-3 | CHECK VALVE | | 2 | | | | |
| 208 | 453865-3 | SEPARATOR CASE | | 1 | | | | |
| 209 | 251486-3 | PAN HEAD SCREW M5X55 WITH WR | | 2 | | | | |
| 210 | 454910-7 | CHOKE PLATE | | 1 | | | | |
| 211 | 266192-7 | TAPPING SCREW 4X14 | | 1 | | | | |
| 212 | 266420-0 | TAPPING SCREW 5X20 | | 1 | | | | |
| 213 | 456399-5 | AIR CLEANER CASE | | 1 | | | | |
| 214 | 851W17-2 | SERIAL NO. LABEL | | 1 | | | | |
| 215 | 454902-6 | CHOKE LEVER | | 1 | | | | |
| 216 | 5233504200 | CARBURETOR GASKET | | 1 | | | | |
| 217 | 346991-4 | PLATE 31 | | 1 | | | | |
| 218 | 412112-1 | TUBE 3-60 | | 1 | | | | |
| 219 | 168398-2 | PRIMER PUMP | | 1 | | | | |
| 220 | 161487-2 | CARBURETOR | | 1 | | | | |
| D10 | | INC. 250-258,261-273 | | | | | | |
| 221 | 424830-9 | CARBURETOR GASKET | | 1 | | | | |
| 222 | 424823-6 | PIPE | | 1 | | | | |
| 223 | 422127-0 | TUBE 3-55 | | 1 | | | | |
| 224 | 452952-5 | HOSE JOINT | | 1 | | | | |
| 225 | 412121-0 | TUBE 3-130 | | 1 | | | | |
| 226 | 422126-2 | TUBE 3-160 | | 1 | * | | | |
| 226-1 | 422222-6 | TUBE 3-190 | S | 1 | | | | |
| 227 | 424831-7 | INSULATOR SEAL | | 1 | | | | |

Please order the parts with part number.

Print Date 27/3/2020

Model No.EB7660TH PETROL BLOWER

| Item | Parts No. | Description | I/C | Qty | New/Old | Opt. 1 | Opt. 2 | Note |
|-------|------------|--------------------------------|-----|-----|---------|--------|--------|------|
| 228 | 266749-4 | HEX. S.H.B. M5X25 WITH WR | | 2 | | | | |
| 229 | 424623-4 | GROMMET | | 1 | | | | |
| 230 | 0119059490 | SOCKET HEAD BOLT M5X14 (W,SW) | | 1 | | | | |
| 231 | 142926-1 | INSULATOR COMPLETE | | 1 | | | | |
| 232 | 161583-6 | INSULATOR GASKET | | 1 | | | | |
| 233 | 213261-5 | O RING 17 | | 1 | | | | |
| 234 | 454911-5 | ICING VALVE | | 1 | | | | |
| 235 | 454912-3 | ICING VALVE COVER | | 1 | | | | |
| 236 | 266192-7 | TAPPING SCREW 4X14 | | 3 | | | | |
| 237 | 213261-5 | O RING 17 | | 1 | | | | |
| 239 | 805X41-3 | SOUND 111DB LABEL | | 1 | | | | |
| 241 | 687055-8 | STRAIN RELIEF | | 1 | | | | |
| 242 | 266192-7 | TAPPING SCREW 4X14 | | 1 | | | | |
| 243 | 687055-8 | STRAIN RELIEF | | 1 | | | | |
| 244 | 266192-7 | TAPPING SCREW 4X14 | | 1 | | | | |
| 245 | 457060-7 | CORRUGATE TUBE | | 1 | | | | |
| 246 | 456401-4 | CARBURETOR COVER | | 1 | | | | |
| 247 | 451825-9 | CLAMP | | 1 | | | | |
| 250 | 266795-7 | ADJUST SCREW | | 1 | | | | |
| 251 | 264065-8 | CABLE ADJUST NUT M6 | | 1 | | | | |
| 252 | 266704-6 | PAN HEAD SCREW M3X10 | | 2 | | | | |
| 253 | 346491-4 | BRACKET CABLE | | 1 | | | | |
| 254 | 325922-6 | SWIVEL | | 1 | | | | |
| 255 | 413140-9 | WASHER | | 1 | | | | |
| 256 | 257964-1 | STOP RING E-3 | | 1 | | | | |
| 257 | 424444-4 | PACKING RING | | 1 | | | | |
| 258 | 234183-6 | CONICAL COMPRESSION SPRING 5-9 | | 1 | | | | |
| 261 | 442155-9 | PUMP GASKET | | 1 | | | | |
| 262 | 168575-6 | PUMP DIAPHRAGM | | 1 | * | | | |
| 262-1 | WJ00009599 | PUMP DIAPHRAGM | O | 1 | | | | |
| 263 | 141672-3 | PUMP BODY ASSEMBLY | | 1 | | | | |
| 264 | 442183-4 | METERING DIAPHRAGM GASKET | | 1 | | | | |
| 265 | 168620-7 | METERING DIAPHRAGM | | 1 | | | | |
| 266 | WJ00021158 | METERING DIAPHRAGM COVER | | 1 | | | | |
| 267 | WJ00096325 | SCREW | | 4 | | | | |
| 268 | WJ00983160 | SPRING | | 1 | | | | |
| 269 | WJ00096424 | SCREW | | 1 | | | | |
| 270 | WJ00014477 | METERING LEVER PIN | | 1 | | | | |
| 271 | WJ00016648 | LEVER | | 1 | | | | |
| 272 | WJ00008282 | INLET NEEDLE VALVE | | 1 | | | | |

Please order the parts with part number.

Print Date 27/3/2020

Model No.EB7660TH PETROL BLOWER

| Item | Parts No. | Description | I/C | Qty | New/Old | Opt. 1 | Opt. 2 | Note |
|------|------------|----------------------|-----|-----|---------|--------|--------|------|
| 273 | WJ00014070 | INLET SCREEN | | 1 | | | | |
| A01 | 782239-4 | BOX WRENCH 16 | | 1 | | | | |
| A02 | 783019-1 | DRIVER | | 1 | | | | |
| A03 | 831304-7 | ACCESSORY BAG | | 1 | | | | |
| A04 | 195532-1 | OIL BOTTLE SET | | 1 | | | | |
| A05 | 196911-6 | FLAT NOZZLE 90 SET | | 1 | | | | |
| A06 | 197722-2 | END NOZZLE 90-68 SET | | 1 | | | | |
| A07 | 197723-0 | LONG PIPE 90 SET | | 1 | | | | |

Please order the parts with part number.

Print Date 27/3/2020