

RYOBI®

RCP1225

ORIGINAL INSTRUCTIONS
TRADUCTION DES INSTRUCTIONS ORIGINALES
ÜBERSETZUNG DER ORIGINALANLEITUNG
TRADUCCIÓN DE LAS INSTRUCCIONES ORIGINALES
TRADUZIONE DELLE ISTRUZIONI ORIGINALI
VERTALING VAN DE ORIGINELE INSTRUCTIES
TRADUÇÃO DAS INSTRUÇÕES ORIGINAIS
OVERSÆTTELSE AF DE ORIGINALE INSTRUKTIONER
ÖVERSÄTTNING AV DE URSPRUNGLIGA INSTRUKTIONERNA
ALKUPERÄISTEN OHJEIDEN SUOMENNO
OVERSETTELSE AV DE ORIGINALE INSTRUKSJONENE
ПЕРЕВОД ОРИГИНАЛЬНЫХ ИНСТРУКЦИЙ
TŁUMACZENIE INSTRUKCJI ORYGINALNEJ
PŘEKLAD ORIGINÁLNÍCH POKYNŮ
AZ EREDETI ÚTMUTATÓ FORDÍTÁSA
TRADUCEREA INSTRUCȚIUNILOR ORIGINALE
TULKOTS NO ORIGINĀLĀS INSTRUKCIJAS
ORIGINALIŲ INSTRUKCIJŲ VERTIMAS
ORIGINAALJUHENDI TÖLGE
PRIJEVOD ORIGINALNIH UPUTA
PREVOD ORIGINALNIH NAVODIL
PREKLAD ORIGINÁLNYCH POKYNOV
ПРЕВОД ОТ ОРИГИНАЛНИТЕ ИНСТРУКЦИИ

EN
FR
DE
ES
IT
NL
PT
DA
SV
FI
NO
RU
PL
CS
HU
RO
LV
LT
ET
HR
SL
SK
BG



- Important!** It is essential that you read the instructions in this manual before assembling, maintaining and operating the product.
- Attention!** Il est essentiel que vous lisiez les instructions contenues dans ce manuel avant d'assembler, d'entretenir et d'utiliser le produit.
- Achtung!** Es ist wichtig, dass Sie vor Zusammenbau, Wartung und Benutzung des Produktes die Anweisungen in dieser Anleitung lesen.
- ¡Atención!** Resulta fundamental que lea este manual de instrucciones antes de realizar el montaje, el mantenimiento y de utilizar este producto
- Attenzione!** E' importante leggere le istruzioni contenute nel presente manuale prima di montare il prodotto, svolgere le operazioni di manutenzione sullo stesso e metterlo in funzione.
- Let op!** Het is van essentieel belang dat u de instructies in deze gebruiksaanwijzing leest voor u het product monteert, onderhoudt en gebruikt.
- Atenção!** É fundamental que leia as instruções deste manual antes da montagem, manutenção e operação do aparelho.
- OBS!** Det er vigtigt, at man læser instrukserne i denne brugsanvisning, inden man samler, vedligeholder og betjener produktet.
- Observera!** Det är viktigt att du läser instruktionerna i manualen före montering, användning och underhåll av produkten.
- Huomio!** On tärkeää, että luet tämän käsikirjan ohjeet ennen tuotteen kokoamista, huoltoa ja käyttöä.
- Advarsel!** Det er viktig at du leser instruksjonene i denne manualen før sammensetning, vedlikehold og bruk av produktet
- Внимание!** Необходимо прочитать инструкции в данном руководстве перед сборкой, обслуживанием и эксплуатацией этого изделия.
- Uwaga!** Koniecznie należy przeczytać instrukcje zawarte w tym podręczniku przed montażem, obsługą oraz konserwacją produktu.
- Důležitost upozornění!** Neinstalujte, neprovádějte údržbu ani nepoužívejte tento výrobek dříve, než si přečtete pokyny uvedené v tomto návodu.
- Figyelem!** Fontos, hogy a termék összeszerelése, karbantartása és használata előtt elolvassa a kézikönyvben található utasításokat.
- Atenție!** Este esențial să citiți instrucțiunile din acest manual înainte de asamblare, efectuarea întreinerii și operarea produsului.
- Uzmanību!** Ir svarīgi izlasīt šīs rokasgrāmatas instrukcijas pirms uzstādīšanas, apkopes un precēs darbināšanas.
- Dėmesio!** Prieš surenkant, prižiūrint ir naudojam gaminį, būtina perskaityti šiame vadove pateiktus nurodymus.
- Tähtis!** Enne masina kokkupanekut, hooldamist ja kasutama hakkamist tuleb käesolevas juhendis esitatud juhised kindlasti läbi lugeda.
- Upozorenje!** Vrlo je važno da ste prije sklapanja, održavanja i rada s ovim proizvodom pročitali upute u ovom priručniku.
- Pomembno!** Pomembno je da pred montažo vzdrževanjem in uporabo tega izdelka preberete navodila v tem prročniku.
- Upozornenie!** Je dôležité, aby ste si pred montážou, údržbou a obsluhou produktu prečítali pokyny v tomto návode.
- Важно!** Исключительно важно е да прочетете инструкциите в настоящото ръководство, преди да преминете към сглобяване, поддръжка или работа с продукта.

Subject to technical modification | Sous réserve de modifications techniques | Technische Änderungen vorbehalten | Bajo reserva de modificaciones técnicas | Con riserva di eventuali modifiche tecniche | Technische wijzigingen voorbehouden | Com reserva de modificações técnicas | Med forbehold for tekniske ændringer | Med förbehåll för tekniska ändringar | Tekniset muutokset varataan | Med forbehold om tekniske endringer | могут быть внесены технические изменения | Z zastrzeżeniem modyfikacji technicznych | Změny technických údajů vyhrazeny | A műszaki módosítás jogát fenntartjuk | Sub rezerva modificațiilor tehnice | Pataram tiesības mainīt tehniskos raksturlielumus | Pasilikant teisę daryti techninius pakeitimus | Tehnilised muudatused võimalikud | Podloženo tehničkim promjenama | Tehnične spremembe dopuščene | Právo na technické zmeny je vyhradené | Подлежи на технически модификации

INTENDED USE

Safety, performance, and dependability have been given top priority in the design of your electric cultivator.

The product is only intended for use outdoors by a standing operator walking with the product. For safety reasons, the product must be adequately controlled by using two-handed operation at all times.

The product is designed for cultivating or loosening soil in an open domestic garden area. The maximum working depth of the product is 19.5 cm.

The product should never be operated with the wheels off the ground. It should not be ridden on. The product should only be used as described in this manual and should not be used for any other purpose.

GENERAL SAFETY WARNINGS

⚠ WARNING

When using the product, the safety rules must be followed. For your own safety and that of bystanders, please read these instructions before operating the product. Please keep the instruction safe for later use.

⚠ WARNING

The product is not intended to be used by children or persons with reduced physical, mental or sensory capabilities. Children should be adequately supervised to ensure they do not play with the product.

⚠ WARNING

Some regions have regulations that restrict the use of the product. Check with your local authority for advice.

TRAINING

- Never allow children or people unfamiliar with these instructions to use the product. Local regulations may restrict the age of the operator.
- Read the instructions carefully. Be familiar with all controls and the proper use of the product.
- Keep bystanders, children and pets 15 m

away from the area of operation. Stop the product if anyone enters the area.

- Never use the product when you are tired, ill or under the influence of alcohol, drugs or medicine.
- Keep in mind that the operator or user is responsible for accidents or hazards occurring to other people or their property.

ELECTRICAL SAFETY

- Power plugs must match the outlet. Never modify the plug in any way. Do not use any adapter plugs with earthed (grounded) power tools. Unmodified plugs and matching outlets will reduce risk of electric shock.
- Avoid body contact with earthed or grounded surfaces, such as pipes, radiators, ranges and refrigerators. There is an increased risk of electric shock if your body is earthed or grounded.
- Do not operate the product when there is a risk of lightning.
- Do not expose the product to rain or wet conditions. Water entering an appliance will increase the risk of electric shock.
- Electrical power should be supplied via a residual current device (RCD) with a tripping current of not more than 30 mA.
- Before every use, examine the power cord for damage. If there are signs of damage, it must be replaced by a qualified person at an authorised service centre to avoid a hazard. Always uncoil the power cord during use, coiled cables can overheat.
- If you need to use an extension cable ensure it is suitable for outdoor use and has a current capacity sufficient to supply your product. The extension cord cable should be marked with either "H05 RN-F" or "H05VV-F". Check it before every use for damage. Always uncoil it during use because coiled cables can overheat. Damaged extension cables should not be repaired, they should be replaced with an equivalent type.
- Do not use the product if the electric cables are damaged or worn.
- If the power cord or extension cable becomes damaged during use, disconnect from the power supply immediately. Do not touch the electric cables until the power

EN
FR
DE
ES
IT
NL
PT
DA
SV
FI
NO
RU
PL
CS
HU
RO
LV
LT
ET
HR
SL
SK
BG

supply has been disconnected.

- Make sure the power cord is positioned so that it cannot be damaged by the tines and will not be stepped on, tripped over or otherwise subjected to damage or stress.
- Never pull by the power cord to disconnect from the power supply.
- Keep the power cord away from heat, oil and sharp edges.
- Make sure voltage is correct for your product. A nameplate on the product indicates the product's voltage. Never connect the product to an AC voltage that differs from this voltage.

PREPARATION

- Wear full eye and hearing protection while operating the product.
- Hearing protection may restrict the operators ability to hear warning sounds, pay particular attention to potential hazards around and inside the working area.
- Wear heavy long trousers, sturdy anti-slip footwear and gloves. Do not wear loose clothing, short trousers, jewellery of any kind. Do not operate while barefoot or wearing open sandals.
- Secure long hair so it is above shoulder level to prevent entanglement in moving parts.
- Before use and after any impact, check that there are no damaged parts. A defective switch or any part that is damaged or worn should be properly repaired or replaced by an authorised service centre in order to avoid a hazard.
- Never operate the product unless all guards, deflectors and handles are properly and securely attached.
- Check tines before each use. Replace the tine assemblies with new ones when necessary. Worn tines invite poor performance and overload of the motor.
- Consider the environment in which you are working on. Keep the working area free from wires, sticks, stones and debris that if struck by the tines, can become thrown objects.

CULTIVATOR SAFETY WARNINGS

- Wear a face filter in dusty conditions to reduce the risk of injury associated with the inhalation of dust.
- Use the product across the face of slopes, never up and down. Exercise extreme caution when changing direction on slopes.
- Exercise extreme caution when reversing or pulling the product towards you.
- Never pick up or carry the product while the motor is running.
- Do not operate the product near underground electric cables, telephone lines, pipes, or hoses.
- Use the product only in daylight or good artificial light.
- Keep proper footing and balance at all times, especially on slopes.
- Do not walk backwards when using the product.
- Walk, never run with the product.
- Do not use the product near drop-offs, ditches, excessively steep slopes, or embankments. Poor footing could cause a slip and fall accident.
- Exercise extreme caution when working on difficult soil. If the soil is very hard, water a few days before cultivation.
- Avoid working the soil when soggy or wet. Wait a day or two after heavy rain for the ground to dry.
- Keep hands and feet away from the rotating tines at all times and especially when switching on the motor.
- Beware of objects thrown by the rotating tines. Clear debris like small stones, gravel and other foreign objects from the work area before starting operation. Wires or string may become entangled with the rotating tines.
- Beware, the tines continue to rotate after the motor is switched off.
- Switch off and disconnect from the power supply and wait for all moving parts to stop before:
 - servicing
 - leaving the product unattended
 - cleaning your product or clearing a blockage

- changing accessories
 - checking for any damage after hitting an object
 - checking for any damage if the product starts to vibrate abnormally
 - performing maintenance
- Always ensure that ventilation openings are kept clear of debris.
 - Make sure that all the protective devices are fitted and in good condition.
 - Do not modify the product in any way as this may increase the risk of injury to yourself or others.

▲ CAUTION

The product may bounce upward and/or jump forward if the tines strike extremely hard packed soil, frozen ground, or buried obstacles such as large stones, roots and stumps.

▲ CAUTION

Before moving the product from one area to another switch off the motor and wait for the tines to come to a complete stop. Be careful not to let the tines touch the ground while moving the product. The tines as well as the product itself may be damaged even if the motor is switched off.

OPERATING TIPS

- To reduce the risk of injury from contact with the moving parts or from thrown objects, the operator must stand behind the handlebar. Never stand to the side or forward of the handlebars whilst the product is in operation.
- Always wear eye protection. Always wear non-slip safety footwear when operating the product.
- Whilst the product will cut and help clear underground vegetation and roots, the tines could become tangled in heavy vegetation or stubble above ground. Clear the area to be cultivated with a brushcutter or other similar means and prepare the ground by removing any large debris (e.g., stones, bricks, and metal poles) from the surface.

- Keeping hands and feet away from the tines, start the motor with the tines slightly above the ground surface by pressing the switch lock followed by the on/off switch. Whilst securely holding the handlebars, lower the tines onto the ground. The product may try to pull itself forward at this point depending upon the hardness of the ground. Resist the pull of the product to go forward, and the tines should start to bury themselves into the ground. If they do not, use a reverse-and-forward (about 20 cm is sufficient) or a slight rocking-up-and-down motion of the handlebar to assist the tines to get to their working depth.
- You may alter the depth in the ground of the tines by moving the wheels closer to or further from the tines. Once the tines are in the ground to the depth required, slowly move the product forward, letting the motor do the work. If the tines strike some object too hard to move or cut, the product may raise its height as the tines try to pass over the obstruction. Stop the product and allow the tines to cease all movement before attempting to investigate or remove the obstruction.
- If the ground to be cultivated is hard or dry, it is better to water the ground, but don't soak it completely and allow time for the water to penetrate the ground and for the excess to drain away before attempting to cultivate.

TRANSPORTATION AND STORAGE

- For storage, always disconnect from power supply and wind cable.
- Stop the product and allow it to cool down before storing or transporting.
- Clean all foreign material from the product. Store it in a cool dry and well-ventilated place that is inaccessible to children. Keep away from corrosive agents such as garden chemicals and de-icing salts. Do not store outdoors.
- Wipe the tines with oil or spray them with silicone lubricant to prevent rusting. Beware of sharp or damaged edges on tines.
- Oil all visible moving parts. Do not remove the motor cover.
- For transportation, secure the product against movement or falling to prevent injury to persons or damage to the product.

EN
FR
DE
ES
IT
NL
PT
DA
SV
FI
NO
RU
PL
CS
HU
RO
LV
LT
ET
HR
SL
SK
BG

- Do not carry the product by the guard. Only hold or carry the product by the handlebar or front handle.

MAINTENANCE

⚠ WARNING

Use only original manufacturer's replacement parts, accessories and attachments. Failure to do so can cause possible injury, poor performance and may void your warranty.

⚠ WARNING

Before inspecting, cleaning or servicing the product, unplug the power cord and wait for all moving parts to stop. Failure to follow these instructions can result in serious personal injury or property damage.

Avoid using solvents when cleaning plastic parts. Most plastics are susceptible to damage from various types of commercial solvents and may be damaged by their use. Use clean cloths to remove dirt, dust, oil, grease, etc.

⚠ WARNING

Do not at any time let brake fluids, gasoline, petroleum-based products, penetrating oils, etc., come in contact with plastic parts. They contain chemicals that can damage, weaken or destroy plastic.

⚠ WARNING

The tines are sharp. Use caution and wear heavy duty gloves when fitting, replacing, cleaning or checking bolt security.

- After each use, clean the body and handles of the product with a soft dry cloth, and clean the debris from the tines with a stiff brush.
- Check all nuts, bolts and screws at frequent intervals for proper tightness to ensure the product is in safe working condition.
- Only the parts shown on the replacement part list are intended to be repaired or replaced by the customer. All other parts should be replaced at an authorised service centre.

RESIDUAL RISKS

Even when the product is used as prescribed, it is still impossible to completely eliminate certain residual risk factors. The following hazards may arise during use and the operator should pay special attention to avoid the following:

- Contact with tines.
- Injury caused by vibration. Hold the product by designated handles and restrict working time and exposure.
- Exposure to noise can cause hearing injury. Wear ear protection and limit exposure.
- Eye injury due to flying debris. Wear eye protection at all times.

RISK REDUCTION

It has been reported that vibrations from hand-held products may contribute to a condition called Raynaud's Syndrome in certain individuals. Symptoms may include tingling, numbness and blanching of the fingers, usually apparent upon exposure to cold. Hereditary factors, exposure to cold and dampness, diet, smoking and work practices are all thought to contribute to the development of these symptoms. There are measures that can be taken by the operator to possibly reduce the effects of vibration:

- Keep your body warm in cold weather. When operating the product wear gloves to keep the hands and wrists warm. It is reported that cold weather is a major factor contributing to Raynaud's Syndrome.
- After each period of operation, exercise to increase blood circulation.
- Take frequent work breaks. Limit the amount of exposure per day.

If you experience any of the symptoms of this condition, immediately discontinue use and see your doctor about these symptoms.

⚠ WARNING

Injuries may be caused, or aggravated, by prolonged use of a tool. When using any tool for prolonged periods, ensure you take regular breaks.

KNOW YOUR PRODUCT

See page 137.

1. Handle
2. On/off switch
3. On/off switch lock
4. Power cord
5. Motor control cable
6. Power cord retainer
7. Motor control cable retainer
8. Front handle
9. Inner tine
10. Outer tine
11. Wheel
12. Drag stake
13. Handlebar knob

SYMBOLS ON THE PRODUCT



Read and understand all instructions before operating the product, follow all warnings and safety instructions.



Wear ear protection.



Wear eye protection.



Remove plug from the mains immediately before maintenance or if cable is damaged, cut or entangled.



Beware of thrown or flying objects. Keep all bystanders, especially children and pets, at least 15 m away from the operating area



Keep feet and hands away from rotating tines



Keep the supply flexible cord away from the cutting tines.



Waste electrical products should not be disposed of with household waste. Please recycle where facilities exist. Check with your local authority or retailer for recycling advice.



Conforms to all regulatory standards in the country in the EU where the product is purchased.



EurAsian Conformity Mark



Guaranteed sound power level is 93 dB.

The following signal words and meanings are intended to explain the levels of risk associated with the product:

The following signal words and meanings are intended to explain the levels of risk associated with the product.

⚠ DANGER

Indicates an imminently hazardous situation, which, if not avoided, will result in death or serious injury.

⚠ WARNING

Indicates a potentially hazardous situation, which, if not avoided, could result in death or serious injury.

⚠ CAUTION

Indicates a potentially hazardous situation, which, if not avoided, may result in minor or moderate injury.

CAUTION

Without safety alert symbol
Indicates a situation that may result in property damage.

SYMBOLS IN THIS MANUAL



Connect to power outlet.



Disconnect from power outlet.



Parts or accessories sold separately



Note



Warning

UTILISATION PRÉVUE

La plus grande priorité a été donnée à la sécurité, aux performances et à la fiabilité de votre motobineuse électrique lors de sa conception.

Ce produit est prévu pour n'être utilisé qu'à l'extérieur par un opérateur se tenant debout et marchant avec le produit. Pour des raisons de sécurité, le produit doit être en permanence contrôlé des deux mains.

Ce produit a été conçu pour labourer ou émietter la terre dans le cadre d'un jardin particulier de plein air. La profondeur maximale de travail du produit est de 19.5 cm.

Le produit ne doit jamais être utilisé sans que les roues ne touchent le sol. On ne doit pas monter dessus pour se faire tracter. Ce produit ne doit être utilisé que de la façon décrite dans ce manuel, il ne doit pas être utilisé dans un autre but.

AVERTISSEMENTS GÉNÉRAUX DE SÉCURITÉ

▲ AVERTISSEMENT

Suivez les règles de sécurité lorsque vous utilisez le produit. Pour votre sécurité et celle des passants, veuillez lire ces instructions avant d'utiliser le produit. Veuillez conserver les instructions en lieu sûr pour vous-y reporter dans le futur.

▲ AVERTISSEMENT

Ce produit ne doit pas être utilisé par des enfants ou par des personnes aux capacités physiques, sensorielles ou mentales diminuées. Les enfants doivent être bien surveillés afin de s'assurer qu'ils ne jouent pas avec le produit.

▲ AVERTISSEMENT

La législation de certaines régions restreint l'utilisation du produit. Contactez les autorités locales pour obtenir des conseils.

ENTRAÎNEMENT

- Ne laissez jamais les enfants ou les personnes non familiarisées avec ces instructions utiliser le produit. Les lois locales peuvent imposer un âge minimum

à l'opérateur.

- Lisez attentivement les instructions. Familiarisez-vous avec les commandes du produit ainsi qu'avec son utilisation correcte.
- Gardez les passants, les enfants et les animaux éloignés d'au moins 15 m de l'aire de travail. Arrêtez le produit lorsque quiconque pénètre dans l'environnement de travail.
- N'utilisez jamais le produit lorsque vous êtes fatigué, malade, ou sous l'influence de l'alcool, de drogues ou de médicaments.
- Gardez à l'esprit que l'opérateur est responsable des accidents qui arrivent aux autres personnes présentes dans sa propriété.

SÉCURITÉ ÉLECTRIQUE

- Les fiches secteur doivent correspondre à la prise de courant. Ne modifiez jamais la fiche secteur d'aucune façon. N'utilisez pas d'adaptateurs avec les outils électriques reliés à la terre. L'utilisation de fiches secteur non modifiées et adaptées à la prise de courant réduit le risque de décharge électrique.
- Evitez que votre corps entre en contact avec des surfaces reliées à la terre, telles que des tuyaux, radiateurs, cuisinières et réfrigérateurs. Le risque de décharge électrique est accru si votre corps est électriquement relié à la terre.
- N'utilisez pas le produit en cas de risque d'éclair.
- N'exposez pas ce produit à la pluie ou à des conditions humides. La pénétration d'eau dans un appareil augmente le risque de décharge électrique.
- L'appareil doit être alimenté par l'intermédiaire d'un disjoncteur différentiel d'une sensibilité minimale de 30mA.
- Avant chaque utilisation, vérifiez que le câble d'alimentation n'est pas endommagé. En cas de signe de dommages, faites procéder à son remplacement par une personne qualifiée ou par un service après-vente agréé afin d'éviter tout danger. Déroulez toujours le câble d'alimentation en cours d'utilisation, les câbles enroulés sont susceptibles de surchauffer.
- Si vous devez utiliser une rallonge

électrique, assurez-vous qu'elle est prévue pour une utilisation à l'extérieur et que sa capacité en courant est suffisante pour alimenter votre produit. Le câble de la rallonge électrique doit porter la mention "H05 RN-F" ou "H05 VV-F". Vérifiez l'absence de dommages avant chaque utilisation. Le câble d'alimentation doit toujours être déroulé pendant utilisation, les câbles enroulés étant susceptibles de surchauffer. Les rallonges endommagées ne doivent pas être réparées, elles doivent être remplacées par un modèle équivalent.

- N'utilisez pas le produit si le câble électrique est endommagé ou usé.
- Au cas où le câble d'alimentation ou la rallonge seraient endommagés en cours d'utilisation, débranchez immédiatement l'alimentation électrique. Ne touchez pas les câbles électriques avant d'avoir coupé l'alimentation en courant.
- Assurez-vous que le câble chemine de façon qu'il ne puisse pas être endommagé par les fraises et que l'on ne puisse pas marcher dessus ou se prendre les pieds dedans, et qu'il ne puisse pas être forcé ou endommagé.
- Ne débranchez jamais le câble d'alimentation en tirant dessus.
- Gardez le câble d'alimentation éloigné de la chaleur, des graisses et des bords coupants.
- Assurez-vous que la tension secteur est adaptée à votre produit. La tension de service est indiquée sur une plaque signalétique présente sur le produit. Ne branchez jamais le produit sur une source de courant dont la tension est différente de sa tension nominale.

PRÉPARATION

- Portez une protection auditive et oculaire totale lorsque vous utilisez ce produit.
- Une protection auditive est susceptible de réduire la capacité de l'opérateur à entendre les bruits d'alerte, soyez donc particulièrement attentif aux risques potentiels à l'intérieur et aux alentours de la zone de travail.
- Portez des pantalons longs et solides, des chaussures antidérapantes et des gants. Ne portez pas de vêtements amples, de pantalons courts ou de bijoux d'aucune

sorte. N'utilisez pas le produit pieds nus ou avec des sandales ouvertes.

- Attachez les cheveux longs au-dessus du niveau des épaules afin d'éviter qu'ils ne se prennent dans les parties en mouvement.
- Avant utilisation et après tout impact, vérifiez qu'aucun élément n'est endommagé. Un interrupteur défectueux ou toute autre pièce endommagée ou usée doit être correctement remplacée ou réparée par un service après-vente agréé afin d'éviter tout danger.
- N'utilisez jamais le produit sans que toutes les protections, tous les déflecteurs et toutes les poignées soient bien en place et bien verrouillés.
- Vérifiez les fraises avant chaque utilisation. Remplacez l'ensemble des fraises par des neuves lorsque cela est nécessaire. Des fraises usées sont peu performantes et surchargent le moteur.
- Tenez compte de l'environnement de travail. Gardez l'environnement de travail exempt de câbles, bâtons, pierres et débris qui pourraient se voir transformer en projectiles s'ils venaient à être pris dans les fraises.

AVERTISSEMENTS DE SÉCURITÉ RELATIFS À LA MOTOBINEUSE

- Portez un masque facial en conditions poussiéreuses pour éviter toute blessure due à l'inhalation des poussières.
- Utilisez le produit en travers des pentes, jamais de haut en bas. Redoublez de vigilance lorsque vous changez de direction sur une pente.
- Soyez particulièrement prudent lors du changement de sens de rotation ou lorsque vous tirez le produit vers vous.
- Ne transportez ni ne soulevez jamais le produit lorsque son moteur tourne.
- N'utilisez pas le produit à proximité de câbles électriques, de câbles téléphoniques, de conduites ou de tuyaux enterrés.
- Travailler uniquement à la lumière du jour ou dans une lumière artificielle de bonne qualité.
- Gardez un bon appui et un bon équilibre en permanence, particulièrement dans les pentes.

EN
FR
DE
ES
IT
NL
PT
DA
SV
FI
NO
RU
PL
CS
HU
RO
LV
LT
ET
HR
SL
SK
BG

- Ne reculez pas lors de l'utilisation du produit.
- Marchez, ne courez jamais avec le produit.
- N'utilisez pas le produit à proximité des à-pics, des fossés, des fortes pente, ou des talus. Un mauvais appui sur le sol peut entraîner une glissade et une chute et causer un accident.
- Soyez particulièrement prudent lorsque vous travaillez sur un sol difficile. Si le sol est très dur, arrosez-le quelques jours avant de le labourer.
- Évitez de travailler un sol mouillé ou détremé. Laissez le sol sécher un jour ou deux après une forte pluie.
- Gardez à tout moment vos pieds et vos mains éloignés des fraises en rotation, en particulier lors de la mise en marche du moteur.
- Prenez garde aux objets projetés par les fraises en rotation. Dégagez la zone de travail des débris tels que petites pierres, gravier et autres objets étrangers avant de commencer le travail. Des câbles ou de la ficelle pourraient s'emmêler dans les fraises en rotation.
- Prenez garde, les fraises continuent de tourner une fois le moteur coupé.
- Arrêtez le produit, débranchez-le du courant et attendez que toutes les pièces en mouvement se soient arrêtées avant de :
 - réparations
 - laisser le produit sans surveillance
 - nettoyage de votre produit ou dégagement de la cause d'un blocage.
 - changer un accessoire
 - vérifier tout dommage éventuel après avoir heurté un objet
 - vérifier tout dommage éventuel au cas où le produit se mettrait à vibrer de façon anormale
 - opérations d'entretien
- Assurez-vous que les ouïes de ventilation sont en permanence exemptes de débris.
- Assurez-vous que tous les dispositifs de protection sont en place et en bon état.
- Ne modifiez le produit en aucune façon, vous augmenteriez les risques de blessures occasionnées aux autres et à

vous-même.

▲ MISE EN GARDE

Le produit est susceptible de rebondir vers l'arrière et de sauter vers l'avant au cas où les fraises entreraient en contact avec un sol extrêmement dur et compact, gelé, ou avec des objets enterrés tels que grosses pierres, racines ou souches.

▲ MISE EN GARDE

Avant de déplacer le produit d'un endroit à un autre, arrêtez le moteur et attendez l'arrêt complet des fraises. Prenez garde de ne pas laisser les fraises entrer en contact avec le sol lorsque vous déplacez le produit. Les fraises ainsi que le produit lui-même pourraient être endommagées, même si le moteur est coupé.

CONSEILS D'UTILISATION

- Pour réduire le risque de blessures dues à l'entrée en contact avec les pièces en mouvement ou à la projection d'objets, l'opérateur doit se tenir derrière le guidon. Ne vous tenez jamais à côté du guidon ni en avant de celui-ci pendant que le produit est en fonctionnement.
- Portez toujours une protection oculaire. Portez toujours des chaussures antidérapantes lorsque vous utilisez le produit.
- Bien que le produit soit conçu pour couper et aider à éliminer la végétation dans le sol et les racines, les fraises sont susceptibles de s'emmêler dans la végétation ou de surgir hors du sol. Dégagez la surface à cultiver à l'aide d'une débroussailleuse ou autre moyen similaire et préparez le sol en retirant les gros débris (par ex. pierres, briques, et poteaux métalliques) de la surface.
- Tout en tenant vos mains et vos pieds éloignés des fraises, démarrez le moteur avec les fraises légèrement au-dessus de la surface du sol en enfonçant le verrouillage d'interrupteur avant d'appuyer sur l'interrupteur marche/arrêt. Tout en maintenant fermement le guidon, abaissez les fraises vers le sol. Il est possible que le produit se propulse vers l'avant à ce

moment là, en fonction de la dureté du sol. Résistez à la traction du produit, ce qui devrait provoquer l'enfoncement des fraises dans le sol. Si ce n'est pas le cas, alternez marche avant et marche arrière (sur une distance d'environ 20 cm qui devrait être suffisante) ou effectuez un léger mouvement de basculement de haut en bas avec le guidon pour aider les fraises à atteindre leur profondeur de travail.

- Vous pouvez jouer sur la profondeur de travail des fraises dans le sol en rapprochant ou en éloignant les roues des fraises. Une fois les fraises dans le sol à la profondeur requise, faites doucement avancer le produit vers l'avant, en laissant le moteur faire le travail. Si les fraises heurtent un objet trop dur à faire bouger ou à couper, il est possible que le produit se soulève pendant que les fraises tentent de passer l'obstacle. Arrêtez le produit et laissez les fraises cesser tout mouvement avant de tenter d'examiner ou de retirer l'obstacle.
- Si le sol à labourer est dur ou sec, il est préférable d'arroser le sol, mais évitez de le tremper complètement et laissez le temps à l'eau de pénétrer dans le sol et à l'excès d'eau de s'évacuer avant de tenter de labourer.

TRANSPORT ET STOCKAGE

- Avant stockage, toujours débrancher l'alimentation et enrrouler le rallonge.
- Arrêtez le produit et laissez-le refroidir avant de le ranger ou de le transporter.
- Débarrassez l'appareil de tous les corps étrangers. Rangez la en un endroit frais, sec et correctement ventilé, hors de portée des enfants. Ne la rangez pas à proximité d'agents corrosifs tels que produits chimiques de jardinage ou sels de dégel. Ne rangez pas à l'extérieur.
- Passez un chiffon imbibé d'huile sur les fraises ou vaporisez-les avec un produit au silicone pour les empêcher de rouiller. Prenez garde aux bords coupants ou endommagés des fraises.
- Huilez toutes les pièces mobiles apparentes. Ne retirez pas le capot moteur.
- Pour le transport, attachez le produit pour l'empêcher de bouger ou de tomber, afin d'éviter toute blessure et tout dommage

matériel.

- Ne transportez pas le produit en le saisissant par le carter de protection. Ne maintenez ou transportez le produit qu'à l'aide du guidon ou de la poignée avant.

ENTRETIEN

⚠ AVERTISSEMENT

N'utilisez que des pièces détachées et accessoires d'origine constructeur. Le non respect de cette précaution peut entraîner de mauvaises performances, des blessures, et annuler votre garantie.

⚠ AVERTISSEMENT

Avant de vérifier, de nettoyer, ou d'entretenir le produit, débranchez le câble d'alimentation et attendez que toutes les parties en mouvement se soient arrêtées. Le non respect de ces consignes peut entraîner de graves blessures ou d'importants dégâts matériels.

Évitez d'utiliser des solvants pour nettoyer les parties en plastique. La plupart des plastiques sont susceptibles d'être endommagés par un grand nombre de solvants du commerce. Utilisez des chiffons propres pour retirer la saleté, les poussières, l'huile, la graisse, etc.

⚠ AVERTISSEMENT

Ne laissez jamais du liquide de frein, de l'essence, des produits pétroliers, des huiles pénétrantes, etc. entrer en contact avec les parties en plastique. Ces produits chimiques contiennent des substances qui peuvent endommager, fragiliser ou détruire le plastique.

⚠ AVERTISSEMENT

Les fraises sont très affûtées. Soyez particulièrement prudent et portez des gants solides lorsque vous les mettez en place, lorsque vous les remplacez, lorsque vous les nettoyez ou lorsque vous vérifiez le bon serrage de ses boulons.

- Après chaque utilisation, nettoyez le corps et les poignées du produit à l'aide d'un chiffon sec et doux, et retirez les débris des

fraises à l'aide d'une brosse dure.

- Maintenir tous les écrous, boulons et vis serrés afin de garantir que le matériel est en état de fonctionner en sécurité.
- Seuls les éléments mentionnés dans la liste des pièces détachées peuvent être remplacés ou réparés par le client. Toutes les autres pièces doivent être remplacées par un service après-vente agréé.

RISQUES RÉSIDUELS

Même lorsque le produit est utilisé selon les prescriptions, il reste impossible d'éliminer totalement certains facteurs de risque résiduels. Les dangers suivants risquent de se présenter en cours d'utilisation et l'utilisateur doit faire particulièrement attention afin d'éviter ce qui suit :

- Entrée en contact avec les fraises.
- Blessures dues aux vibrations. Maintenez le produit par les poignées destinées à cet effet et limitez le temps de travail et d'exposition.
- L'exposition au bruit peut provoquer des pertes d'audition. Portez une protection auditive et limitez le temps d'exposition.
- Blessures oculaires dues aux débris volants. Portez en permanence une protection oculaire.

RÉDUCTION DES RISQUES

Il a été reporté que les vibrations engendrées par les outils à main peuvent contribuer à l'apparition d'un état appelé le Syndrome de Raynaud chez certaines personnes. Les symptômes peuvent comprendre des fourmillements, un engourdissement et un blanchiment des doigts, généralement par temps froid. Des facteurs héréditaires, l'exposition au froid et à l'humidité, le régime alimentaire, le tabagisme et les habitudes de travail peuvent contribuer au développement de ces symptômes. Certaines mesures peuvent être prises par l'utilisateur pour aider à réduire les effets des vibrations:

- Gardez votre corps au chaud par temps froid. Lorsque vous utilisez le produit, portez des gants afin de garder vos mains et vos poignets au chaud. Le temps froid est considéré comme un facteur contribuant très largement à l'apparition du Syndrome de Raynaud.

- Après chaque session de travail, pratiquez des exercices qui favorisent la circulation sanguine.
- Faites des pauses fréquentes. Limitez la quantité d'exposition journalière.

Si vous ressentez l'un des symptômes associés à ce syndrome, arrêtez immédiatement le travail et consultez votre médecin pour lui en faire part.

⚠ AVERTISSEMENT

L'utilisation prolongée d'un outil est susceptible de provoquer ou d'aggraver des blessures. Assurez-vous de faire des pauses de façon régulière lorsque vous utilisez tout outil de façon prolongée.

APPRENEZ À CONNAÎTRE VOTRE PRODUIT

Voir page 137.

1. Poignée
2. Bouton poussoir marche
3. Verrouillage d'interrupteur marche/arrêt
4. Câble d'alimentation
5. Câble de commande du moteur
6. Accroche de câble d'alimentation
7. Attache de câble de commande du moteur
8. Poignée avant
9. Fraise intérieure
10. Fraise extérieure
11. Roué
12. Éperon
13. Bouton de guidon

SYMBOLES APPLIQUÉS SUR LE PRODUIT



Lisez et comprenez toutes les instructions avant d'utiliser le produit, respectez tous les avertissements et toutes les instructions de sécurité.



Portez une protection auditive



Portez une protection oculaire



Débranchez immédiatement la fiche secteur avant l'entretien ou si le câble est endommagé, coupé ou emmêlé.



Prenez garde à la projection d'objets au sol et dans les airs. Gardez tous les passants, en particulier les enfants et les animaux, éloignés d'au moins 15 m de distance de la zone de travail.



Éloignez vos mains et vos pieds des fraises en rotation



Gardez le câble électrique souple fourni à l'écart des fraises.



Les produits électriques hors d'usage ne doivent pas être jetés avec les ordures ménagères. Recyclez-les par l'intermédiaire des structures disponibles. Contactez les autorités locales pour vous renseigner sur les conditions de recyclage.



Cet outil est conforme à l'ensemble des normes réglementaires du pays de l'UE où il a été acheté.



Marque de qualité EurAsian



Le niveau de puissance sonore garanti est 93 dB.

Les signaux et mots suivants sont destinés à indiquer le niveau de risque associé au produit :

⚠ DANGER

Situation potentiellement dangereuse qui, si l'on n'y prend garde, peut entraîner la mort ou des blessures graves.

⚠ AVERTISSEMENT

Situation potentiellement dangereuse qui, si l'on n'y prend garde, peut entraîner la mort ou des blessures graves.

⚠ MISE EN GARDE

Situation potentiellement dangereuse qui, si l'on n'y prend garde, peut entraîner des blessures moyennes ou légères.

MISE EN GARDE

Sans symbole d'alerte de sécurité
Indique une situation pouvant entraîner des dommages matériels.

SYMBOLES DE CE MANUEL



Branchez sur le secteur



Débranchez du secteur



Pièces détachées et accessoires vendus séparément



REMARQUE:



AVERTISSEMENT

- EN
- FR
- DE
- ES
- IT
- NL
- PT
- DA
- SV
- FI
- NO
- RU
- PL
- CS
- HU
- RO
- LV
- LT
- ET
- HR
- SL
- SK
- BG

VORGESEHENE VERWENDUNG

Sicherheit, Leistung und Zuverlässigkeit hatten oberste Priorität bei der Entwicklung Ihres elektrischen Kultivators.

Das Produkt ist ausschließlich zur Verwendung im Freien vorgesehen wobei der Benutzer aufrecht mit dem Produkt geht. Aus Sicherheitsgründen muss das Produkt immer mit beiden Händen geführt werden.

Das Produkt wurde zum Kultivieren und Auflockern von Boden in einem offenen, häuslichen Gartenbereich entwickelt. Die maximale Arbeitstiefe des Produktes beträgt 19.5 cm.

Das Produkt sollte niemals mit vom Boden gehobenen Rädern benutzt werden. Darauf darf nicht geritten werden. Das Produkt darf nur wie in dieser Bedienungsanleitung beschrieben benutzt werden und für keinen anderen Zweck benutzt werden.

ALLGEMEINE SICHERHEITSWARNUNGEN

⚠️ WARNUNG

Die Sicherheitsregeln müssen befolgt werden, wenn dieses Produkt benutzt wird. Lesen Sie für Ihre eigene Sicherheit und die von Außenstehenden diese Anweisungen bevor Sie das Produkt benutzen. Bitte bewahren Sie die Anweisungen zum späteren Nachschlagen auf.

⚠️ WARNUNG

Dieses Produkt ist nicht für Kinder oder Personen mit verminderten physischen, geistigen oder sensorischen Fähigkeiten geeignet. Kinder müssen ausreichend beaufsichtigt werden, so dass gewährleistet ist, dass sie nicht mit dem Produkt spielen.

⚠️ WARNUNG

In einigen Regionen können Vorschriften die Benutzung dieses Produkts einschränken. Lassen Sie sich von Ihrer örtlichen Behörde beraten.

UNTERWEISUNG

- Erlauben Sie niemals Kindern oder Personen, die mit diesen Anweisungen

nicht vertraut sind, das Produkt zu benutzen. Die lokale Gesetzgebung regelt das Mindestalter des Benutzers.

- Lesen Sie die Anweisungen sorgfältig durch. Machen Sie sich mit den Bedienelementen und dem ordnungsgemäßen Gebrauch des Produktes vertraut.
- Halten Sie Zuschauer, Kinder und Haustiere 15 m von dem Arbeitsbereich fern. Stoppen Sie das Produkt, wenn jemand diesen Bereich betritt.
- Arbeiten Sie niemals mit dem Produkt, wenn Sie müde oder krank sind, oder unter dem Einfluss von Alkohol, Drogen oder Medikamenten stehen.
- Vergessen Sie nie, dass der Benutzer verantwortlich ist für Unfälle und Gefahren die an Eigentum Fremder oder an anderen Personen entstehen könnte.

ELEKTRISCHE SICHERHEIT

- Der Netzstecker muss in die Steckdose passen. Den Stecker niemals auf irgendeine Weise modifizieren. Verwenden Sie mit geerdeten Elektrowerkzeugen niemals Übergangsstecker. Nicht-modifizierte Stecker und passende Steckdosen reduzieren das Risiko von Stromschlägen.
- Vermeiden Sie Körperkontakt mit geerdeten Oberflächen, wie Rohren, Heizkörpern, Küchenherden und Kühlschränken. Es besteht ein erhöhtes Stromschlagrisiko wenn Ihr Körper geerdet ist.
- Benutzen Sie das Produkt nicht, wenn die Gefahr von Blitzschlag besteht.
- Setzen Sie dieses Produkt nicht Regen oder feuchten Bedingungen aus. Ein Eindringen von Wasser in ein Gerät erhöht die Gefahr eines Stromschlags.
- Die Stromversorgung sollte über eine Fehlerstromschutzeinrichtung mit einem Auslösestrom von nicht mehr als 30 mA angeschlossen werden.
- Überprüfen Sie das Netzkabel vor jeder Benutzung auf Schäden. Wenn das Netzkabel beschädigt ist, muss es von einer qualifizierten Person in einem autorisierten Kundendienst ersetzt werden, um Sicherheitsgefährdungen zu vermeiden. Entrollen Sie bei der Benutzung immer das Netzkabel, aufgerollte Kabel können überhitzen.

- Wenn Sie ein Verlängerungskabel benutzen müssen, stellen Sie sicher, dass es für den Einsatz im Freien geeignet ist und ausreichend für die Strombelastung Ihres Produktes ist. Das Verlängerungskabel sollte entweder mit "H05 RN-F" oder "H05 VV-F" gekennzeichnet sein. Überprüfen Sie es vor jeder Benutzung auf Schäden. Entrollen Sie es immer, da aufgewickelte Kabel überhitzen können. Beschädigte Verlängerungskabel dürfen nicht repariert werden, sie sollten durch einen gleichwertigen Typ ersetzt werden.
- Verwenden Sie das Produkt nicht falls die Stromkabel beschädigt oder abgenutzt ist.
- Trennen Sie sofort die Stromversorgung, wenn das Netzkabel oder Verlängerungskabel beim Einsatz beschädigt wird. Berühren Sie nicht die Stromkabel bis die Stromversorgung getrennt ist.
- Stellen Sie sicher, dass das Stromkabel so liegt das es nicht von den Zinken beschädigt wird, man nicht darauf tritt, darüber stolpert, oder es auf andere Weise Beschädigungen und Belastungen ausgesetzt wird.
- Ziehen Sie niemals das Netzkabel um die Stromversorgung zu trennen.
- Halten Sie das Netzkabel fern von Hitze, Öl, und scharfen Kanten.
- Stellen Sie sicher, dass die Spannung für Ihr Produkt richtig ist. Ein Typenschild auf dem Produkt zeigt die Spannung des Produktes an. Schließen Sie das Produkt niemals an eine andere als diese an.

VORBEREITUNG

- Tragen Sie bei Einsatz dieses Geräts vollen Augen- und Gehörschutz.
- Gehörschutz kann die Fähigkeit des Benutzers Warntöne zu hören einschränken, achten Sie besonders auf mögliche Gefahren in der Nähe und in dem Arbeitsbereich.
- Tragen Sie eine lange, feste Hose, rutschfeste Sicherheitsschuhe und Handschuhe. Tragen Sie keine weite Kleidung, kurze Hosen oder irgendwelchen Schmuck. Niemals Barfuß oder mit offenen Sandalen benutzen.
- Binden Sie lange Haare zurück, so dass diese sich über Schulterhöhe befinden um

zu verhindern, dass sie sich in beweglichen Teilen verfangen.

- Überprüfen Sie vor jeder Benutzung und nach jedem Schlag, dass keine Teile beschädigt sind. Ein defekter Schalter oder ein anderes Teil, das beschädigt oder abgenutzt ist, muß durch den autorisierten Kundendienst ordnungsgemäß repariert oder ausgetauscht werden, um eine Gefahr zu vermeiden.
- Bedienen Sie das Produkt niemals ohne dass alle Schutzvorrichtungen, Abweiser und Griffe ordnungsgemäß und sicher befestigt sind.
- Prüfen Sie die Zinken vor jedem Gebrauch. Ersetzen Sie die Zinken mit neuen, wenn erforderlich. Abgenutzte Zinken liefern schlechte Leistung und überlasten den Motor.
- Achten Sie auf die Umgebung in der Sie arbeiten. Halten Sie den Arbeitsbereich frei von Drähten, Stöcken, Steinen und Unrat, die emporgeschleudert werden können, wenn sie von den Zinken getroffen werden.

KULTIVATOR SICHERHEITSWARNUNGEN

- Tragen Sie bei staubigen Bedingungen einen Atemschutz um Gesundheitsgefährdungen durch das Einatmen von Staub zu verringern.
- Benutzen Sie das Produkt quer zu Hängen, niemals auf- oder abwärts. Seien Sie besonders vorsichtig wenn Sie die Richtung am Hang ändern. Es könnte schwerer Schaden entstehen, wenn dies nicht eingehalten wird.
- Seien Sie äußerst vorsichtig, wenn Sie sich rückwärts bewegen, oder das Produkt zu sich ziehen.
- Heben oder tragen Sie niemals das Produkt mit laufendem Motor.
- Arbeiten Sie mit dem Produkt nicht in der Nähe von erdverlegten Elektrokabeln, Telefonkabeln, Rohren oder Schläuchen.
- Benutzen Sie das Produkt nur bei Tageslicht oder gutem Kunstlicht.
- Sorgen Sie jederzeit für einen festen Stand und ein gute Balance, besonders auf Böschungen.
- Gehen Sie nicht rückwärts, wenn Sie das Produkt benutzen.

- Führen Sie die Maschine nur im Schritttempo.
- Verwenden Sie den Kultivator nicht am Rand von Abhängen, Gräben, übermäßigen Steigungen oder Böschungen. Passen Sie bitte auf Sie könnten hinfallen.
- Seien Sie extrem vorsichtig, wenn Sie auf schwierigerem Boden arbeiten. Falls das Erdreich sehr hart sein sollte, wässern Sie es einige Tage vor dem Kultivieren.
- Vermeiden Sie es, Erdreich zu bearbeiten, wenn es feucht oder nass ist. Warten Sie nach schweren Regenfällen ein oder zwei Tage bis der Boden wieder trocken ist.
- Halten Sie Hände und Füße immer von den drehenden Zinken fern, vor allem beim Einschalten des Motors.
- Achten Sie auf Objekte die durch die drehenden Zinken geschleudert werden können. Entfernen Sie allen Unrat, wie kleine Steine, Kies und andere Fremdkörper von dem Arbeitsbereich, bevor Sie die Arbeit beginnen. Drähte oder Schnüre können in den drehenden Zinken verwickelt werden.
- Vorsicht, die Zinken drehen sich weiter, nachdem der Motor ausgeschaltet ist.
- Schalten Sie aus und trennen die Stromversorgung und warten bis alle drehenden Teile gestoppt sind, bevor Sie:
 - Instandhaltungsarbeiten durchführen
 - Das Produkt unbeaufsichtigt lassen
 - Ihr Produkt reinigen oder Blockierungen entfernen.
 - Zubehörteile wechseln
 - Auf Schäden überprüfen nachdem ein Gegenstand getroffen wurde
 - Auf Schäden überprüfen wenn das Produkt ungewöhnlich vibriert
 - Wartungsarbeiten durchführen
- Stellen immer sicher, dass die Belüftungsöffnungen frei von Ablagerungen sind.
- Vergewissern Sie sich, dass die Schutzvorrichtungen angebracht sind und sich in einem guten Zustand befinden.
- Verändern Sie das Produkt nicht auf irgendeine Weise, das kann die Verletzungsgefahr für Sie und andere erhöhen.

⚠ VORSICHT

Das Produkt kann unerwartet nach oben ausschlagen oder nach vorne springen, wenn die Zinken auf extrem hartes, verdichtetes Erdreich, gefrorenen Untergrund oder unterirdische Hindernisse wie große Steine, Wurzeln oder Stümpfe stößt.

⚠ VORSICHT

Schalten Sie den Motor aus und warten bis die Zinke vollständig gestoppt sind, bevor Sie das Produkt von einem Bereich zum anderen bewegen. Seien Sie vorsichtig und lassen die Zinken nicht den Boden berühren, während Sie das Produkt bewegen. Die Zinken und das Produkt selbst können beschädigt werden, auch wenn der Motor ausgeschaltet ist.

TIPPS ZUM BETRIEB

- Damit die Gefahr von Verletzungen durch Kontakt mit den beweglichen Teilen oder geschleuderten Gegenständen verringert ist, muss der Benutzer hinter dem Lenkgriff stehen. Stehen Sie niemals an der Seite oder vor dem Lenkgriff während das Produkt in Betrieb ist.
- Tragen Sie immer einen Augenschutz. Tragen Sie immer rutschfeste Sicherheitsschuhe wenn Sie das Produkt bedienen.
- Während das Produkt Pflanzen und Wurzeln im Boden schneidet und wegräumt, können die Zinken in großen Pflanzen oder Stoppeln auf dem Boden verwickelt werden. Räumen Sie den zu kultivierenden Bereich mit einem Freischneider oder ähnlichem Gerät und bereiten Sie den Boden vor indem Sie große Teile (z.B. Steine, Ziegelsteine und Metallstangen) von der Oberfläche entfernen.
- Halten Sie Hände und Füße von den Zinken fern, starten Sie den Motor mit den Zinken etwas über dem Boden, indem Sie die Einschaltsperrle und dann den An/Aus Schalter drücken. Während Sie den Lenkgriff halten, senken Sie die Zinken auf den Boden. Das Produkt kann versuchen an diesem Punkt nach vorne zu ziehen, je nach Härte des Bodens. Widerstehen

Sie dem Zug des Produktes nach vorne und die Zinken sollten anfangen sich in den Boden zu graben. Wenn sie das nicht tun, benutzen Sie eine rückwärts - vorwärts Bewegung (ungefähr 20 cm sind genug) oder eine leichte aufwärts - abwärts Bewegung an dem Lenkgriff, um den Zinken zu helfen ihre Arbeitstiefe zu erlangen.

- Sie können die Tiefe der Zinken in dem Boden verändern, indem Sie die Räder näher an oder weiter von den Zinken bewegen. Nachdem die Zinken in der erforderlichen Tiefe im Boden sind, bewegen Sie das Produkt langsam nach vorne und lassen den Motor die Arbeit machen. Wenn die Zinken einen Gegenstand treffen der zu hart zum Bewegen oder Schneiden ist, kann das Produkt sich heben, während die Zinken über das Hindernis wandern. Stoppen Sie das Produkt und lassen die Zinken vollständig stoppen, bevor Sie die Blockierung untersuchen oder entfernen.
- Wenn der zu kultivierende Boden hart oder trocken ist, ist es besser den Boden zu wässern, aber durchnässen Sie ihn nicht vollständig und lassen Sie das Wasser den Boden ganz durchdringen und überschüssiges Wasser ablaufen, bevor Sie anfangen zu kultivieren.

TRANSPORT UND LAGERUNG

- Zur Lagerung immer vom Stromnetz trennen und das Netzkabel aufrollen.
- Stoppen Sie die Maschine und lassen sie abkühlen, bevor Sie sie lagern oder transportieren.
- Entfernen Sie alle Fremdkörper vom Produkt. Lagern Sie das Gerät an einem trockenen und gut belüfteten Ort, der Kindern keinen Zugang bietet. Das Produkt von korrodierend wirkenden Stoffen, wie Gartenchemikalien und Enteisungssalzen, fernhalten. Nicht im Freien lagern.
- Ölen Sie die Zinken zum Schutz vor Rost ein oder besprühen Sie sie mit einem Silikonschmiermittel. Achten Sie auf scharfe oder beschädigte Kanten an den Zinken.
- Schmieren Sie alle sichtbaren beweglichen Teile. Entfernen Sie nicht die Motorabdeckung.
- Sichern Sie das Produkt beim Transport

gegen Bewegung oder fallen, um Verletzungen und Beschädigung des Produktes zu verhindern.

- Tragen Sie das Produkt nicht am Kabel oder der Schutzabdeckung. Halten oder tragen Sie das Produkt nur an dem Lenkgriff oder vorderen Griff.

WARTUNG UND PFLEGE

⚠ WARNUNG

Verwenden Sie ausschließlich original Ersatzteile, Zubehör und Aufsätze des Herstellers. Nichtbefolgung kann mögliche Verletzungen oder schlechte Leistung verursachen und Ihre Garantie ungültig machen.

⚠ WARNUNG

Trennen Sie vor dem Untersuchen, Reinigen oder Warten des Produktes den Stecker von der Stromquelle und warten Sie ab, bis alle sich bewegenden Teile angehalten haben. Bei Nichteinhaltung dieser Hinweise besteht die Gefahr schwerer Verletzungen oder Materialschäden.

Vermeiden Sie beim Reinigen der Plastikteile den Einsatz von Lösungsmitteln. Die meisten Plastikteile können durch den Gebrauch der handelsüblichen Solventien beschädigt werden, was sich auch auf ihre Leistung auswirken kann. Verwenden Sie saubere Tücher um Verunreinigungen wie Staub, Öl, Schmierstoffe usw. zu entfernen.

⚠ WARNUNG

Lassen Sie niemals Bremsflüssigkeiten, Benzine, Produkte auf Erdölbasis, Rostlöser usw. mit den Plastikteilen in Kontakt geraten. Diese chemischen Produkte enthalten Substanzen, die den Kunststoff beschädigen, schwächen oder zerstören können.

⚠ WARNUNG

Die Zinken sind scharf. Seien Sie vorsichtig und tragen Sie feste Handschuhe, wenn Sie Montieren, Austauschen, Reinigen oder den Sitz von Schrauben überprüfen.

- Reinigen Sie nach jeder Benutzung das Gehäuse und die Griffe des Produktes mit einem weichen, trockenen Tuch und reinigen Sie den Schmutz mit einer groben Bürste von den Zinken
- Überprüfen Sie Bolzen, Muttern und Schrauben immer wieder ob alles fest angezogen ist so dass das Produkt in einem sicheren Zustand ist.
- Nur die in der Ersatzteilliste aufgeführten Teile sind zur Reparatur oder den Austausch durch den Kunden vorgesehen. Alle anderen Teile müssen durch einen autorisierten Kundendienst ausgetauscht werden.

RESTRISIKEN:

Sogar wenn das Produkt wie vorgeschrieben benutzt wird, ist es unmöglich ein gewisses Restrisiko vollständig zu beseitigen. Die folgenden Gefahren können bei der Benutzung entstehen, und der Benutzer sollte besonders auf folgende Punkte achten:

- Kontakt mit Zinken.
- Durch Vibrationen verursachte Verletzungen. Halten Sie das Produkt an den dafür vorgesehenen Griffen und schränken Sie die Arbeitszeit und Belastung ein.
- Lärm kann zu Gehörschäden führen. Tragen Sie einen Gehörschutz und schränken Sie die Belastung ein.
- Augenverletzungen aufgrund von fliegendem Schmutz. Tragen Sie immer einen Augenschutz.

RISIKOVERRINGERUNG

Vibrationen von in der Hand gehaltenen Produkten können bei einigen Personen zu einem Zustand, der Raynaud-Syndrom genannt wird, führen. Symptome sind u.a. Kribbeln, Taubheitsgefühl und episodische Weißfärbung der Finger und treten normalerweise bei Kälte auf. Man geht davon aus, dass ererbte Faktoren, Kälte und Feuchtigkeit, Essgewohnheiten, Rauchen und Arbeitsweise zur Entwicklung dieser Symptome beitragen. Der Anwender kann Maßnahmen ergreifen, um die Auswirkungen der Vibrationen möglicherweise zu verringern:

- Halten Sie den Körper bei Kälte warm. Tragen Sie beim Betrieb des Gerätes

Handschuhe, um Hände und Handgelenke warm zu halten. Berichten zu Folge ist kaltes Wetter ein wesentlicher Faktor, der zum Raynaud Syndrom beiträgt.

- Betätigen Sie sich nach jedem Einsatz körperlich, um den Blutkreislauf zu steigern.
- Machen Sie regelmäßig Pausen. Beschränken Sie die Beanspruchung pro Tag.

Sollten bei Ihnen Symptome dieses Zustands auftreten, stellen Sie unverzüglich den Betrieb ein und suchen Sie in Hinsicht auf die Symptome einen Arzt auf.

⚠ WARNUNG

Verletzungen können durch lange Benutzung eines Werkzeugs entstehen oder verschlimmert werden. Machen Sie regelmäßig Pause, wenn Sie ein Werkzeug für lange Zeit benutzen.

MACHEN SIE SICH MIT IHREM PRODUKT VERTRAUT

Siehe Seite 137.

1. Griff
2. Ein-/Ausschalter
3. Einschaltsperr
4. Stromkabel
5. Motor-Steuerkabel
6. Netzkabelhalter
7. Kabelhalterung für Motorkontrolle
8. Vorderer Haltegriff
9. Innerer Zinken
10. Äußerer Zinken
11. Rad
12. Zugstange
13. Knebelmutter für Griff

SYMBOLE AUF DEM PRODUKT



Lesen und verstehen Sie alle Anweisungen, bevor Sie das Produkt benutzen, befolgen Sie alle Warnungen und Sicherheitsanweisungen.



Tragen Sie einen Gehörschutz



Tragen Sie einen Augenschutz



Trennen Sie vor
Wartungsarbeiten den Stecker
sofort vom Stromnetz, oder
falls das Kabel beschädigt,
geschnitten oder verwickelt ist.



Achten Sie auf geschleuderte
oder fliegende Objekte. Halten
Sie alle Zuschauer, besonders
Kinder und Haustiere,
mindestens 15 m von dem
Arbeitsbereich fern.



Füße und Hände von
rotierenden Zinken fern halten.



Halten Sie das Netzkabel von
dem Zinken fern.



Elektrische Geräte sollten nicht
mit dem übrigen Müll entsorgt
werden. Bitte entsorgen Sie
diese an den entsprechenden
Entsorgungsstellen. Wenden
Sie sich an die örtliche Behörde
oder Ihren Händler, um
Auskunft über die Entsorgung
zu erhalten.



Dieses Gerät entspricht allen
gesetzlichen Normen des
Landes der europäischen
Union, in dem es gekauft
wurde.



EurAsian Konformitätszeichen.



Der garantierte
Schalleistungspegel beträgt
93 dB.

Die folgenden Signalwörter und –bedeutungen
sollen den mit diesem Produkt verbundenen
Risikograd veranschaulichen:

⚠ GEFAHR

Weist auf eine unmittelbare gefährliche
Situation hin, die bei Missachtung zu Tod
oder ernsthafter Verletzung führen kann.

⚠ WARNUNG

!Weist auf eine mögliche gefährliche
Situation hin, die bei Missachtung zu Tod
oder ernsthafter Verletzung führen kann.

⚠ VORSICHT

!Weist auf eine mögliche gefährliche
Situation hin, die bei Missachtung zu einer
leichten oder mittleren Verletzung führen
kann.

VORSICHT

Ohne Sicherheitswarnsymbol
Bezeichnet eine Situation die zu
Sachbeschädigungen führen kann.

**SYMBOLE IN DIESER
BEDIENUNGSANLEITUNG**



Anschließen an das Stromnetz



Trennen vom Stromnetz



Teile oder Zubehör getrennt
erhältlich



HINWEIS:



WARNUNG

USO PREVISTO

Seguridad, desempeño y fiabilidad han sido las prioridades en el diseño del arado eléctrico.

El producto se destina sólo a una utilización en el exterior por un operador en pie, caminando con el producto. Por razones de seguridad, la herramienta debe controlarse de forma adecuada utilizando las dos manos en todo momento.

El producto se ha diseñado para cultivar o soltar suelo en un área de jardín doméstico. La profundidad máxima de marcha del aparato es de 19.5 cm.

El aparato nunca se debe operar sin que las ruedas estén apoyadas en el suelo. No se debe montar. El aparato sólo se debe utilizar según el descrito en el presente manual y no se debe utilizar a cualquier otro fin.

ALERTA DE SEGURIDAD GENERAL

⚠ ADVERTENCIA

Al utilizar el producto, deben seguirse las normas de seguridad. Por su propia seguridad y la de los que le rodean, lea estas instrucciones antes de utilizar el producto. Guarde las instrucciones para usarlas en el futuro.

⚠ ADVERTENCIA

Este producto no debe ser utilizado por niños o personas con discapacidad física, mental o sensorial. Los niños deben estar adecuadamente supervisados para asegurarse de que no juegan con el producto.

⚠ ADVERTENCIA

Algunas regiones tienen normas que limitan el uso del producto. Consulte con su autoridad local para obtener información.

APRENDIZAJE

- Nunca permita que niños o personas no familiarizadas con las instrucciones utilicen este producto. Las regulaciones locales pueden restringir la edad del operario.
- Lea las instrucciones cuidadosamente. Familiarícese con los mandos y con la

correcta utilización del aparato.

- Mantenga a los transeúntes, a los niños y a los animales a 15 m de distancia de la zona de operación. Apague el aparato si alguien entra en el área.
- No utilice el producto cuando esté cansado, enfermo o bajo la influencia del alcohol, las drogas o medicamentos.
- Tenga presente que el operario o usuario es responsable de los accidentes o riesgos que le puedan ocurrir a otras personas o a su propiedad.

SEGURIDAD ELÉCTRICA

- Los enchufes deben ser adecuados para la toma de corriente. No modifique el enchufe de ninguna manera. No utilice ningún adaptador con herramientas eléctricas conectadas a tierra. Utilizar enchufes sin modificar y tomas correspondientes reducirán el riesgo de descargas eléctricas.
- Evite el contacto corporal con superficies conectadas a tierra, como tuberías, radiadores, estufas y refrigeradores. Existe un mayor riesgo de descargas eléctricas si su cuerpo está conectado a tierra.
- Não utilize o produto quando existe risco de relâmpagos.
- No exponga este producto a la lluvia o humedad. Si entra agua en el aparato, esto aumentará el riesgo de descargas eléctricas.
- El suministro eléctrico debería efectuarse mediante un dispositivo de corriente residual (RDC) con una corriente activa no superior a 30 mA.
- Antes de cada uso, examine el cable para ver si está dañado. Caso existan señales de daños, este debe sustituirse por un técnico calificado en un centro de asistencia autorizado para evitar peligros. Desenrolle siempre el cable durante el uso, los cables enrollados pueden sobrecalentarse.
- Si necesita utilizar una extensión, compruebe que es adecuada en uso en el exterior y que tiene una capacidad de corriente suficiente para alimentar el aparato. El cable de prolongación deberá llevar la marca "H05 RN-F" o "H05 VV-F". Antes de cada uso compruebe que no hay daños. Mantenga siempre los cables desenrollados mientras los utiliza ya que los cables enrollados pueden

sobrecalentarse. Los alargadores no deben repararse, deben sustituirse por otros que sean equivalentes.

- No utilizar el producto si los cables eléctricos están dañados o desgastados.
- Si el cable de alimentación o el cable extensor resultan dañados durante el uso, desconectar del suministro eléctrico inmediatamente. No tocar los cables eléctricos hasta que se haya desconectado el suministro eléctrico.
- Asegúrese de que el cable de alimentación está situado de tal manera que no puede dañarse por cortes de los dientes y no se pisará, estorbará ni estará sometido a daños o molestias.
- No tire del cable de alimentación para desconectarlo del suministro eléctrico.
- Mantenga el cable eléctrico lejos de fuentes de calor, aceite y bordes afilados.
- Asegúrese de que el voltaje es adecuado para su producto. Una placa de identificación en el producto indica el voltaje del producto. No conecte el producto a un voltaje de CA que no se corresponda con su voltaje.

PREPARACIÓN

- Use gafas de protección total para los ojos y oídos al utilizar este producto.
- Los protectores para los oídos pueden limitar la capacidad de los operadores para oír sonidos de advertencia. Preste especial atención a los peligros potenciales alrededor y dentro de la zona de trabajo.
- Utilice pantalones largos y pesadas, calzado protector antideslizante y guantes. No utilice ropas anchas, pantalones cortos ni joyas de cualquier tipo. No opere el aparato descalzo ni con zapatos abiertos.
- Recoja el cabello largo para que quede por encima del nivel de los hombros y evitar así que se enmarañe en cualquier pieza móvil.
- Antes de su uso y después de algún golpe, compruebe que no hay piezas dañadas. Los interruptores o piezas averiados o desgastados deben repararse o sustituirse debidamente por un centro de asistencia autorizado de modo a evitar peligros.
- Nunca use el producto excepto si todas las protecciones, deflectores y mangos están

unidos de forma correcta y segura.

- Verifique las puntas antes de cada utilización. Sustituya las puntas por nuevas siempre que necesario. Puntas desgastadas son una invitación a un desempeño débil y a una sobrecarga del motor.
- Preste especial atención al entorno en el que está trabajando. Mantenga la zona de trabajo libre de cables, palos, piedras y suciedad que, si son golpeados por los dientes, puedan convertirse en objetos lanzados.

AVISOS DE SEGURIDAD DEL ARADO

- Use una máscara de filtro en condiciones en las que haya mucho polvo para reducir el riesgo de lesiones asociadas con la inhalación de polvo.
- Utilice el aparato en la superficie de cuestras, nunca hacia arriba ni abajo. Tenga mucho cuidado cuando cambie de dirección en las cuestras.
- Extreme las precauciones al girar o tirar del producto hacia usted.
- Nunca levante ni transporte el aparato con el motor en marcha.
- No accione el producto cerca de cables eléctricos subterráneos, líneas telefónicas, tuberías o mangueras.
- Utilice el aparato sólo con luz diurna o con una buena luz artificial.
- Manténganse bien apoyado y equilibrado en todas las circunstancias, especialmente en cuestras.
- No camine hacia atrás mientras use este producto.
- Camine, no corra con el producto.
- No utilice el aparato cerca de zonas descendientes, zanjas, pendientes excesivamente pronunciadas o terraplenes. Una mala pisada podrá causar resbalones y accidentes de caídas.
- Tenga extremo cuidado al trabajar en suelo difícil. Si el suelo es muy duro, riegue durante unos días antes de cultivar.
- Evite trabajar el suelo cuando esté empapado o mojado. Espere un día o dos después de fuertes lluvias para que el suelo se seque.
- Mantenga las manos y los pies alejados de

los dientes giratorios en todo momento y especialmente al encender el motor.

- Tenga cuidado con objetos que se puedan proyectar por las puntas en rotación. Limpie la suciedad como pequeñas piedras, gravilla y otros objetos extraños de la zona de trabajo antes de empezar a operar. Hilos y cables se pueden enmarañar en las puntas giratorias.
- Tenga cuidado; los dientes siguen rotando después de apagar el motor.
- Desconecte, saque el enchufe de la alimentación eléctrica y espere hasta que todas las piezas móviles paren antes de:
 - mantenimiento
 - dejar el producto desatendido
 - limpieza y desobstrucción de bloqueo de su producto
 - cambiar accesorios
 - comprobar si hay daños después de golpear un objeto
 - comprobar si hay daños en caso de que el producto empiece a vibrar de un modo anormal
 - realizar operaciones de mantenimiento
- Asegúrese siempre de que las aberturas de ventilación estén libres de residuos.
- Asegúrese de que todos los dispositivos de protección están instalados y en buenas condiciones.
- No modifique, de ninguna manera, el producto, ya que puede aumentar el riesgo de lesionarse usted o de lesionar a los demás.

▲ ADVERTENCIA

El producto puede saltar y/o avanzar si las puntas tocan en un suelo compacto, suelo congelado o obstáculos enterrados, como piedras grandes, raíces o estacas.

▲ ADVERTENCIA

Antes de transportar el aparato de un área a otra apague el motor y espere que las puntas se detengan por completo. Tenga cuidado para que las puntas no toquen en el suelo mientras transporta el aparato. Tanto las puntas como el aparato se pueden dañar incluso con el motor apagado.

CONSEJOS DE FUNCIONAMIENTO

- Para disminuir los riesgos de lesiones provocadas por el contacto con las piezas móviles o por objetos proyectados, el operador debe mantenerse por detrás de la asa. Nunca se debe quedar al lado ni en frente de las asas con el aparato en marcha.
- Utilice siempre dispositivos de protección ocular. Utilice siempre calzado de seguridad antideslizante mientras opera el aparato.
- Mientras el aparato corta y ayuda a limpiar vegetación y raíces del subsuelo, las puntas se pueden enmarañar en vegetación densa o resistente en el suelo. Limpie el área a cultivar con un cortador o de otro modo similar y prepare el suelo removiendo cualesquier detritos de mayores dimensiones (por ejemplo, piedras, ladrillos y pedazos de metal) de la superficie.
- Manteniendo las manos y los pies alejados de las puntas, ponga el motor en marcha con las puntas ligeramente por encima del suelo, presionando el bloqueo del interruptor y o interruptor encendido/apagado. Mientras segura firmemente en las asas, baje las puntas al suelo. El aparato puede intentar avanzar solo en este punto, dependiendo de la dureza del suelo. Resista a la fuerza de avance del aparato y las puntas empezarán a enterrarse en el suelo. Si esto no ocurre, utilice un movimiento de retroceso y avance (unos 20 cm serán suficientes) o de subir y bajar ligeramente con el asa para que las puntas consigan la profundidad de trabajo.
- Puede cambiar la profundidad en el suelo de las puntas, moviendo las ruedas para más cerca o más lejos de las puntas. Cuando las puntas están en la profundidad de suelo deseada, empuje lentamente el aparato en frente, dejando que el motor haga el trabajo. Si las puntas atingen algún objeto demasiado duro para ser movido o cortado, el aparato puede bajar a medida que las puntas intentan pasar por encima de la obstrucción. Detenga el aparato y espere que las puntas cesen todos los movimientos antes de investigar o remover la obstrucción.
- Si el suelo a cultivar es duro o seco, será

mejor mojarlo sin dejarlo completamente ensoñado y dejar pasar algún tiempo para que el agua penetre la tierra de modo a que el exceso se drene antes de intentar cultivar.

TRANSPORTE Y ALMACENAMIENTO

- Para su almacenamiento, desconectar siempre del suministro eléctrico y enrollar el cable.
- Pare el producto y deje que se enfríe antes de guardarla o transportarla.
- Limpie todo el material extraño que pueda permanecer en el producto. Guarde en una zona seca y bien ventilada, a la que no puedan acceder los niños. Evite el contacto con agentes corrosivos tales como productos químicos de jardinería o sales descongelantes. No almacenar al aire libre.
- Limpie los dientes con aceite o con lubricante de silicona para evitar la oxidación. Tenga atención a puntas afiladas o dañificadas.
- Lubrifique todas las piezas móviles visibles. No quite la cubierta del motor.
- Para el transporte, asegure el producto para que no se mueva ni se caiga y evitar así lesionar a alguien o dañar el producto.
- No transporte el aparato sujetándolo por la protección. Sujete o transporte el aparato sujetando sólo en el asa o en el asa pega frontal.

MANTENIMIENTO

⚠ ADVERTENCIA

Utilice sólo piezas y accesorios de recambio originales del fabricante. Si no lo hace podría ocurrir un mal funcionamiento, podrían producirse daños o podría quedar anulada la garantía.

⚠ ADVERTENCIA

Antes de la inspección, limpieza o mantenimiento del producto, desconecte el cable de alimentación y espere a que todas las piezas móviles se detengan. El incumplimiento de estas instrucciones puede ocasionar heridas graves o importantes daños materiales.

Evite el uso de disolventes para limpiar las piezas de plástico. La mayoría de los plásticos son susceptibles a daños de varios tipos de solventes comerciales y pueden dañarse por su uso. Use un paño limpio para limpiar la suciedad, polvo, aceite, grasa, etc. de la herramienta.

⚠ ADVERTENCIA

No permita en ningún momento que las piezas de plástico entren en contacto con líquido de frenos, gasolina, productos derivados del petróleo, aceites penetrantes, etc. Estos productos químicos contienen sustancias que pueden deteriorar, debilitar o destruir el plástico.

⚠ ADVERTENCIA

Las puntas son afiladas. Tenga cuidado y use guantes pesados al encajar, substituir, limpiar o comprobar el tornillo de seguridad.

- Tras cada utilización, limpie el cuerpo y las asas del aparato con un paño seco y limpie los detritos de las puntas con una escoba rija.
- Verifique a intervalos frecuentes si todas las tuercas, pernos y tornillos están apretados apropiadamente para asegurarse de que el producto esté en buenas condiciones de trabajo.
- Sólo las piezas que aparecen en la lista de piezas pueden ser reparadas o sustituidas por el cliente. Todas las demás piezas deberían ser sustituidas en un centro de servicio autorizado.

RIESGOS RESIDUALES:

Incluso cuando se utiliza el producto según las instrucciones, sigue siendo imposible eliminar por completo ciertos factores de riesgo residuales. Pueden surgir los siguientes riesgos durante el uso y el operador debe prestar especial atención para evitar lo siguiente:

- Contacto con puntas.
- Lesiones por vibración. Sujete el producto por los mangos destinados al efecto y limite el tiempo de funcionamiento y de exposición.
- La exposición al ruido puede causar

pérdidas de audición. Use protección para los oídos y limite el tiempo de exposición.

- Lesiones oculares provocadas por detritos proyectados. Use siempre protección para los ojos.

REDUCCIÓN DEL RIESGO

Se ha demostrado que las vibraciones provenientes de productos que se sostienen con las manos pueden contribuir a la aparición de una enfermedad denominada Síndrome de Raynaud en determinados individuos. Los síntomas pueden incluir hormigueo, entorpecimiento y decoloración de los dedos, generalmente aparentes cuando tiene lugar una exposición al frío. Se considera que los factores hereditarios, exposición al frío y a la humedad, dieta, tabaquismo y prácticas de trabajo contribuyen al desarrollo de estos síntomas. Existen medidas que pueden ser tomadas por el operador para reducir los efectos de vibración:

- Mantenga su cuerpo caliente durante el tiempo frío. Al manipular el producto, utilice guantes para mantener las manos y las muñecas calientes. Hay informes que indican que el tiempo frío es un gran factor que contribuye al síndrome de Raynaud.
- Después de cada período de funcionamiento, realice ejercicios para aumentar la circulación sanguínea.
- Haga pausas de trabajo frecuentes. Limite la cantidad de exposición por día.

Si siente alguno de los síntomas de esta enfermedad, interrumpa inmediatamente el uso y consulte a su médico estos síntomas.

⚠ ADVERTENCIA

El uso prolongado de una herramienta puede causar o agravar lesiones. Al utilizar cualquier herramienta durante períodos prolongados asegúrese de tomar descansos regulares.

CONOZCA SU PRODUCTO

Véase la página 137.

1. Mango
2. Interruptor Marcha
3. Cierre del interruptor de encender/apagar (On/Off)
4. Cable de alimentación

5. Cable de control del motor
6. Retentor del cable eléctrico
7. Retentor do cabo de controlo del motor
8. Mango delantero
9. Diente interior
10. Diente exterior
11. Rueda
12. Estaca de arrastre
13. Botón del asa

SÍMBOLOS EN EL PRODUCTO



Lea y comprenda todas las instrucciones antes de manipular el producto, respete las advertencias y las instrucciones de seguridad.



Use protección auditiva



Utilice protección ocular



Retire el enchufe de la corriente inmediatamente antes de realizar cualquier mantenimiento o si el cable está dañado, cortado o enredado.



Tenga cuidado con los objetos volátiles o lanzados. Mantenga a todos los espectadores, especialmente a los niños y las mascotas, por lo menos a 15 metros de la zona de trabajo.



Mantenga los pies y las manos lejos de los dientes giratorios.



Mantenga el cable flexible alejado de las puntas de corte.



Los productos eléctricos de desperdicio no deben desecharse con desperdicios caseros. Por favor recíclelos donde existan dichas instalaciones. Compruebe con su autoridad local o minorista para reciclar.



Esta herramienta responde a todas las normas reglamentarias del país de la UE donde se ha comprado.



Certificado EAC de conformidad



El nivel de potencia sonora garantizado es de 93 dB.

Lo siguientes símbolos y sus significados pretenden explicar los niveles de riesgo asociados a este producto.

⚠ PELIGRO

Indica una situación potencialmente peligrosa que, de no evitarse, puede ocasionar la muerte o heridas de gravedad.

⚠ ADVERTENCIA

Indica una situación peligrosa que, de no evitarse, puede ocasionar la muerte o heridas de gravedad.

⚠ ADVERTENCIA

Indica una situación potencialmente peligrosa que, de no evitarse, puede ocasionar heridas leves.

ADVERTENCIA

Sin símbolo de alerta de seguridad

Indica una situación que puede causar daños en las cosas.

SÍMBOLOS EN ESTE MANUAL



Conectar a la toma de corriente



Desconectar de la toma de corriente



Las piezas o accesorios se venden por separado



OBSERVACIÓN:



ADVERTENCIA

- EN
- FR
- DE
- ES**
- IT
- NL
- PT
- DA
- SV
- FI
- NO
- RU
- PL
- CS
- HU
- RO
- LV
- LT
- ET
- HR
- SL
- SK
- BG

UTILIZZO RACCOMANDATO

E' stata data massima priorità a sicurezza, prestazioni e affidabilità nel design di questo motocoltivatore elettrico.

Il prodotto è disegnato per essere utilizzato all'esterno da un operatore in posizione eretta che cammina dietro al motocoltivatore. Per ragioni di sicurezza, l'utensile deve essere adeguatamente controllato utilizzando sempre due mani.

Il prodotto è disegnato per coltivare o arare la terra in un'area adibita a giardino domestico. La profondità di lavorazione massima del prodotto è di 19.5 cm.

Il prodotto non deve essere messo in funzione con le ruote fuori del terreno. Non salire sul prodotto. Utilizzare il prodotto solo come descritto nel presente manuale e non utilizzarlo per altri scopi.

AVVERTENZE GENERALI DI SICUREZZA

⚠ AVVERTENZA

Quando si utilizza questo prodotto, seguire eventuali norme di sicurezza. Per la propria sicurezza e per la sicurezza degli osservatori, leggere queste istruzioni prima di mettere in funzione il prodotto. Conservare le istruzioni per eventuali utilizzi futuri.

⚠ AVVERTENZA

Prodotto non inteso per essere utilizzato da bambini o persone con ridotte capacità fisiche, mentali o sensoriali. Supervisionare adeguatamente i bambini per assicurarsi che non giochino con il prodotto.

⚠ AVVERTENZA

Alcune regioni hanno norme che limitano l'utilizzo del prodotto. Rivolgersi alle autorità locali per eventuali consigli.

UTILIZZO

- Non lasciare che bambini o persone che non conoscono le istruzioni lo utilizzino. Leggi locali possono limitare l'età dell'operatore.
- Leggere attentamente le istruzioni. Familiarizzare con tutti i controlli e con

l'utilizzo corretto del prodotto.

- Tenere osservatori, bambini e animali ad almeno 15 metri di distanza dall'area delle operazioni. Arrestare il prodotto nel caso in cui eventuali osservatori entrino nell'area di lavoro.
- Non utilizzare il prodotto se stanchi, malati o sotto l'influenza di alcool, droghe o medicinali.
- Ricordare che l'operatore sarà responsabile di eventuali lesioni o danni a persone o cose.

SICUREZZA ELETTRICA

- Le prese dell'alimentazione devono essere compatibili con la spina. Non modificare la spina in alcun modo. Non utilizzare spine adattatrici con elettroutensili con messa a terra (presa di terra). Spine non modificate e prese corrispondenti ridurranno il rischio di scosse elettriche.
- Evitare il contatto del corpo con superfici con messa a terra come tubi, radiatori, piani cottura e refrigeratori. Rischio aumentato di scosse elettriche se il corpo viene collegato con messa a terra.
- Non mettere in funzione il prodotto in caso di fulmini.
- Non esporre il prodotto a pioggia o umidità. Si aumenterà il rischio di scosse elettriche nel caso in cui l'acqua entri nel dispositivo.
- La corrente elettrica dovrà essere fornita attraverso un dispositivo di corrente residua (RCD) con una corrente di scatto non superiore a 30 mA.
- Prima di ogni utilizzo, controllare il cavo dell'alimentazione per evidenziare eventuali danni. In caso di danni, far sostituire da personale qualificato presso un centro servizi autorizzato per evitare di correre rischi. Srotolare sempre il cavo prima dell'uso, cavi arrotolati possono surriscaldarsi.
- Nel caso in cui si abbia bisogno di una prolunga assicurarsi che la stessa sia adatta all'utilizzo in esterni e abbia una capacità di corrente sufficiente per alimentare il prodotto. La prolunga dovrà essere marcata con "H05 RN-F" o "H05 VV-F". Controllare che l'utensile non presenti danni prima di ogni utilizzo. Srotolarlo sempre durante l'utilizzo dal momento che i cavi arrotolati potranno surriscaldarsi.



Cavi di prolughe danneggiati non devono essere riparati, devono essere sostituiti con un tipo equivalente.

- Non utilizzare il prodotto se i cavi elettrici sono stati danneggiati o sono consumati.
- Se il cavo dell'alimentazione o la prolunga vengono danneggiati durante l'utilizzo scollegarli immediatamente dall'alimentazione. Non toccare i cavi elettrici prima che l'alimentazione non sia stata scollegata.
- Assicurarsi che il cavo dell'alimentazione sia posizionato in modo da non essere danneggiato dai denti della macchina e che l'operatore non vi inciampi, né vi rimanga impigliato, né il cavo sia soggetto a danni o stress.
- Non collegare mai l'utensile tirando il cavo dalla presa.
- Tenere il cavo lontano da fonti di calore, olio ed angoli appuntiti.
- Assicurarsi che il voltaggio sia corretto per il prodotto. Una targhetta sul prodotto indica il voltaggio del prodotto. Non collegare il prodotto a voltaggio AC diverso dal voltaggio del presente prodotto.

PREPARAZIONE

- Indossare occhiali e cuffie di protezione mentre si utilizza questo prodotto.
- Le cuffie di protezione potranno limitare la capacità di ascoltare avvertenze e rumori, prestare quindi particolare attenzione a rischi potenziali attorno e all'interno dell'area di lavoro.
- Indossare pantaloni lunghi, calzature antiscivolo e guanti. Non indossare abiti con parti svolazzanti, pantaloni corti, né gioielli di alcun genere. Non mettere in funzione calzari o mentre si indossano sandali aperti.
- Assicurare i capelli lunghi al di sopra delle spalle per evitare che rimangano impigliati nelle parti in movimento.
- Prima dell'utilizzo e dopo ogni impatto, controllare che non vi siano parti danneggiate. Un interruttore difettoso o qualsiasi altra parte danneggiata o consumata dovranno essere correttamente riparati o sostituiti da un centro servizi autorizzato per evitare di correre rischi.
- Non mettere mai in funzione il prodotto a

meno che tutti gli schermi, i deflettori e i manici siano correttamente e saldamente montati.

- Controllare i denti prima di ogni utilizzo. Sostituire il gruppo denti con un nuovo gruppo quando necessario. Denti consumati non garantiscono prestazioni ottimali e potranno sovraccaricare il motore.
- Tenere sempre in considerazione l'ambiente all'interno del quale si sta lavorando. Mantenere l'area di lavoro pulita, rimuovendo cavi, bastoni, pietre e detriti incastrati tra i denti, tali materiali potranno altrimenti trasformarsi in proiettili.

COLTIVATORE AVVERTENZE DI SICUREZZA

- In caso di polvere indossare una maschera per ridurre il rischio di lesioni associato all'inalazione di polvere.
- Sui pendii procedere sempre in diagonale e mai in direzione verticale. Fare estrema attenzione quando si cambia direzione sui pendii.
- L'operatore dovrà fare estrema attenzione quando inverte la direzione o quando spinge il prodotto verso di sé.
- Non alzare né trasportare il prodotto con il motore in funzione.
- Non mettere in funzione il prodotto accanto a cavi elettrici sotterrati, cavi telefonici, fili o tubi.
- Utilizzare il prodotto solo alla luce del giorno o con una buona illuminazione artificiale.
- Mantenere sempre equilibrio e stabilità, soprattutto su pendii.
- Non camminare all'indietro quando si utilizza l'utensile.
- Camminare, non correre mai con il prodotto.
- Non utilizzare il prodotto vicino a dirupi, avvallamenti, pendii eccessivamente ripidi o argini. Una mancanza di equilibrio potrà provocare cadute o far scivolare.
- Fare estrema attenzione quando si lavora su terreni difficili. Se il terreno è molto duro, ammorbidirlo innaffiandolo alcuni giorni prima delle operazioni di lavoro.
- Evitare di lavorare la terra se umida o bagnata. Attendere uno o due giorni



per lasciare asciugare eventuali piogge abbondanti.

- Tenere sempre mani e piedi lontani dai denti rotanti soprattutto quando si accende il motore.
- Fare attenzione agli oggetti che potranno essere scagliati in aria dai denti rotanti. Rimuovere i detriti come piccole pietre, sassolini e simili dall'area di lavoro prima di avviare le operazioni. Cavi o fili potranno rimanere impigliati nei denti rotanti.
- Fare attenzione, i denti potranno continuare a ruotare dopo che il motore è stato spento.
- Spegnerne e scollegare dall'alimentazione e attendere che tutte le parti si siano fermate prima di:
 - assistenza
 - Lasciare il prodotto incustodito
 - Pulire il prodotto o rimuovere un eventuale blocco
 - Cambio accessori
 - Controllare eventuali danni dopo aver colpito un oggetto
 - Controllare eventuali danni se il prodotto inizia a vibrare eccessivamente
 - Svolgere le operazioni di manutenzione
- Assicurarsi che le griglie di ventilazione siano pulite e rimuovere eventuali materiali di scarto rimasti intrappolati.
- Assicurarsi che tutti i dispositivi di protezione siano stati inseriti e siano in buone condizioni.
- Non modificare il prodotto in alcun modo dal momento che ciò potrà aumentare il rischio di lesioni a se stessi e agli altri.

⚠ ATTENZIONE

Il prodotto potrà scattare in avanti e/o rimbalzare in avanti se i denti colpiscono terreno molto duro, terreno ghiacciato o ostacoli sotterrati come pietre grandi, radici e ceppi.

⚠ ATTENZIONE

Prima di spostare il prodotto da una zona all'altra, spegnere il motore e attendere che i denti si siano completamente arrestati. Fare attenzione a non far entrare in contatto denti e pavimenti mentre si sposta il prodotto. I denti e il prodotto stesso potranno essere danneggiati se il motore viene spento.

CONSIGLI DI FUNZIONAMENTO

- Per ridurre il rischio di lesioni da contatto con le parti in movimento o da oggetti scagliati dall'utensile, l'operatore deve rimanere dietro l'utensile. Non posizionarsi mai lateralmente o davanti all'utensile mentre il prodotto è in funzione.
- Indossare sempre occhiali di protezione. Indossare sempre calzature di sicurezza anti-scivolo mentre si mette in funzione il prodotto.
- Mentre il prodotto taglia e aiuta a rimuovere vegetazione e radici sotterrate, i denti potranno rimanere impigliati nella vegetazione fitta o nelle stoppie. Pulire la zona da coltivare con un decespugliatore o altri utensili simili e preparare il terreno rimuovendo eventuali detriti (come pietre, mattoni e aste in metallo) dalla superficie.
- Tenere mani e piedi lontani dai denti, avviare il motore con i denti leggermente distanti dalla superficie premendo il blocco interruttore e quindi premendo l'interruttore acceso/spento. Reggendo saldamente il manubrio, abbassare i denti verso il terreno. Il prodotto potrà cercare di scattare in avanti a questo punto a seconda della durezza del terreno. Resistere alla spinta in avanti del dispositivo, i denti inizieranno a spingersi nel terreno. Nel caso in cui ciò non si verifichi, spingere indietro e in avanti (20 cm saranno sufficienti) o dondolare a destra e sinistra l'utensile dal manubrio per aiutare i denti a entrare nel terreno.
- E' possibile alterare la profondità di scavo dei denti spostando le ruote più vicino o più lontano ai denti. Quando i denti raggiungono la profondità desiderata nel terreno, spostare il prodotto leggermente in avanti, facendo in modo che il motore faccia tutto il lavoro. Se i denti colpiscono un oggetto troppo duro per spostarsi o tagliare, l'utensile potrà alzarsi di livello

per permettere ai denti di superare ciò che ne ostruisce il passaggio. Arrestare il prodotto e lasciare che i denti smettano di muoversi prima di controllare il dispositivo o rimuovere l'eventuale ostruzione.

- Se il terreno da coltivare è duro o secco, è meglio innaffiarlo, ma non bagnarlo troppo e lasciare che l'acqua penetri nello stesso e che l'acqua in eccesso si asciughi prima di tentare di coltivarlo.

TRASPORTO E RIPONIMENTO

- Scollegare dall'alimentazione e arrotolare il cavo prima di riporre l'utensile.
- Arrestare l'utensile e lasciarlo raffreddare prima di riporlo o trasportarlo.
- Rimuovere eventuali materiali di scarto dal prodotto. Riporre in un luogo asciutto e ben ventilato non accessibile ai bambini, tenerlo a distanza da agenti corrosivi, come le sostanze chimiche per il giardinaggio e il fondente chimico. Non riporre all'esterno.
- Pulire i denti con olio o spruzzarvi sopra lubrificante al silicone per evitare che arrugginiscano. Fare attenzione a denti con estremità affilate o danneggiate.
- Oliare tutte le parti visibili in movimento. Non rimuovere il coperchio del motore.
- Per trasportare il prodotto, assicurarne da eventuali movimenti o cadute per evitare lesioni a persone o danni al prodotto.
- Non trasportare il prodotto dal dispositivo di protezione. Trasportare o trascinare il prodotto dal manico o dal manico anteriore.

MANUTENZIONE

⚠ AVVERTENZA

Utilizzare solo parti di ricambio, accessori e dispositivi originali della ditta produttrice. In caso contrario si potranno causare lesioni, prestazioni basse e la garanzia verrà invalidata.

⚠ AVVERTENZA

Prima di svolgere le operazioni di controllo, pulizia o manutenzione del prodotto, scollegare il cavo dell'alimentazione e attendere che tutte le parti si siano arrestate. La mancata osservanza di queste norme può provocare gravi lesioni o notevoli danni materiali.

Evitare di utilizzare solventi quando si puliscono le parti in plastica. La maggior parte dei materiali plastici è soggetta a danni di vario tipo da solventi commerciali e può essere danneggiata dal contatto con gli stessi. Utilizzare un panno pulito per rimuovere tracce di sporco, polvere, olio, grasso ecc.

⚠ AVVERTENZA

Evitare che sostanze come sostanze per freni, benzina, prodotti a base di petrolio, oli penetranti, ecc. entrino in contatto con parti in plastica. Tali prodotti chimici contengono sostanze che possono danneggiare, indebolire o distruggere la plastica.

⚠ AVVERTENZA

I denti sono affilati. Fare attenzione e indossare guanti da lavoro quando si svolgono le operazioni di montaggio, sostituzione, pulizia o quando si controlla la sicurezza del bullone.

- Dopo ogni utilizzo, pulire la sede del dispositivo con un panno morbido e asciutto, e rimuovere i detriti dai denti con una spazzola dura.
- Controllare frequentemente dadi, bulloni e viti, verificando che siano stati assicurati correttamente per fare in modo che il prodotto garantisca condizioni di lavoro ottimali.
- Solo le parti indicate sulla lista dei ricambi possono essere riparate o sostituite dall'operatore. Tutte le parti devono essere sostituite da un centro servizi autorizzato.

RISCHI RESIDUI:

Anche quando il prodotto viene utilizzato come indicato, è impossibile eliminare completamente alcuni fattori di rischio residuo. Si potranno correre i seguenti rischi durante

l'utilizzo e l'operatore dovrà fare particolare attenzione per evitare quanto segue:

- Contatto con i denti.
- Lesioni causate da vibrazioni. Reggere il prodotto dai manici e limitare i tempi di utilizzo e l'esposizione.
- L'esposizione al rumore può causare lesioni all'udito. Indossare cuffie di protezione e limitare l'esposizione.
- Lesioni agli occhi causate da detriti scagliati dall'utensile. Indossare sempre protezioni per gli occhi.

RIDUZIONE DEL RISCHIO

Le vibrazioni ai prodotti manuali possono contribuire a causare una condizione che si chiama Sindrome di Raynaud in alcune persone. I sintomi, comprendenti formicolio, intorpidimento e perdita di colore alle dita, si verificano di solito quando ci si espone al freddo. Fattori ereditari, esposizione a freddo e umidità, una dieta scorretta, fumo e condizioni di lavoro non sicure potranno contribuire allo sviluppo di questi sintomi. È possibile prendere delle precauzioni per ridurre le vibrazioni:

- Tenere il corpo al caldo a basse temperature. Quando si utilizza il prodotto indossare guanti per tenere le mani e i polsi caldi. Le basse temperature contribuiscono a causare la Sindrome di Raynaud.
- Dopo aver utilizzato l'utensile per un certo periodo, fare degli esercizi per stimolare la circolazione del sangue.
- Fare spesso delle pause. Limitare la quantità di esposizione giornaliera.

Nel caso in cui si provino i sintomi di questa condizione, interrompere immediatamente l'utilizzo dell'utensile e consultare un dottore.

⚠ AVVERTENZA

Il prolungato utilizzo dell'utensile potrà causare o aggravare lesioni. Quando si utilizza questo utensile per periodi di tempo prolungati, assicurarsi di fare sempre delle pause regolari.

FAMILIARIZZARE CON IL PRODOTTO

Vedere pagina 137.

1. Manico

2. Pulsante di messa in funzione
3. Dispositivo di blocco interruttore acceso/spento
4. Cavo di alimentazione
5. Cavo di controllo motore
6. Dispositivo di blocco cavo di alimentazione
7. Dispositivo di blocco cavo di controllo motore
8. Manico anteriore
9. Dente interno
10. Dente esterno
11. Ruota
12. Gruppo trazione
13. Manopola manubrio

SIMBOLI SUL PRODOTTO



Leggere e comprendere tutte le istruzioni prima di mettere in funzione il prodotto, seguire tutte le istruzioni e le avvertenze di sicurezza.



Indossare cuffie di protezione



Indossare dispositivi di protezione occhi



Rimuovere la spina dalla presa immediatamente prima di svolgere le operazioni di manutenzione o se il cavo è danneggiato, tagliato o impigliato.



Fare attenzione ad oggetti scagliati o lanciati dall'utensile. Tenere lontani tutti gli osservatori, soprattutto bambini e animali, ad almeno 15 m dalla zona di funzionamento.



Tenere mani e piedi lontani dai denti rotanti.



Tenere il cavo flessibile dell'alimentazione lontano dai denti di taglio.



I prodotti elettrici non devono essere smaltiti con i rifiuti domestici. Vi sono strutture per smaltire tali prodotti. Informarsi presso il proprio Comune o rivenditore di sicurezza per smaltire adeguatamente tali rifiuti.



Questo apparecchio è conforme a tutte le norme vigenti nel paese dell'UE in cui è stato acquistato.



Marchio di conformità EurAsian



Il livello garantito di potenza sonora è di 93 dB.



NOTA:



AVVERTENZA

Le parole e i messaggi di avvertimento spiegano i livelli di rischio associato con il prodotto.

PERICOLO

Indica una situazione pericolosa che, se non evitata attentamente, potrà causare gravi lesioni alla persona o morte.

AVVERTENZA

Indica una situazione potenzialmente pericolosa che, se non evitata attentamente, potrà causare gravi lesioni alla persona o morte

ATTENZIONE

Indica una situazione potenzialmente pericolosa che, se non evitata attentamente, potrà causare lesioni minori o moderate alla persona.

ATTENZIONE

Senza simbolo di allerta di sicurezza
Indica una situazione che potrà risultare in gravi danni a cose.

SIMBOLI NEL PRESENTE MANUALE



Collegare alla presa dell'alimentazione



Scollegare dalla presa dell'alimentazione



Parti o accessori venduti separatamente

VOORGESCHREVEN GEBRUIK

Veiligheid, prestaties en betrouwbaarheid kregen de hoogste prioriteit bij het ontwerp van uw elektrische cultivator.

Het product is uitsluitend bedoeld voor buitenshuis gebruik door een rechtopstaande bediener die met het product wandelt. Omwille van veiligheidsredenen moet het product correct worden bediend door steeds twee handen te gebruiken.

Het product is ontworpen voor het cultiveren of losmaken van grond in een open tuin. De maximale bedrijfsdiepte van het product is 19,5 cm.

Het product mag nooit worden gebruikt met de wielen van de grond. U mag niet op het product rijden. Het product mag uitsluitend worden gebruikt, zoals beschreven in deze handleiding en mag niet worden gebruikt voor een andere doelstelling.

ALGEMENE VEILIGHEIDSWAARSCHUWINGEN

⚠ WAARSCHUWING

Wanneer u het product gebruikt, moeten de veiligheidsregels worden opgevolgd. Voor uw eigen veiligheid en deze van omstanders, dient u deze instructies te lezen voor u het product gebruikt. Bewaar de instructies op een veilige plaats voor later gebruik.

⚠ WAARSCHUWING

Het product is niet geschikt voor gebruik door kinderen of personen met verminderde fysieke, mentale of zintuigelijke vermogens. Kinderen moeten onder toezicht staan om ervoor te zorgen dat ze niet met het product spelen.

⚠ WAARSCHUWING

Enkele regio's hebben regels die het gebruik van het product beperken. Raadpleeg uw lokale autoriteit voor advies.

OPLEIDING

- Laat kinderen of personen die niet vertrouwd zijn met deze instructies, het product gebruiken. De plaatselijke

wetgeving kan beperkingen opleggen i.v.m. de leeftijd van de bediener.

- Lees zorgvuldig de instructies. Wees vertrouwd met alle bedieningen en het correct gebruik van het product.
- Houd omstaanders, kinderen en huisdieren op tenminste 15 m afstand van het werkgebied. Leg het product stil als iemand het werkgebied betreedt.
- Gebruik het product nooit als u moe of ziek bent of onder de invloed van alcohol, drugs of medicijnen staat.
- Hou er rekening mee dat de bediener of gebruiker verantwoordelijk is voor ongevallen of gevaren t.o.v. anderen of hun eigendom.

ELEKTRISCHE VEILIGHEID

- De stekker moet overeenkomen met de contactdoos. Wijzig de stekker nooit. Gebruik geen adapters met gearde elektrische werktuigen. Niet-gewijzigde stekkers en overeenkomstige contactdozen zullen het risico op elektrische schok verminderen.
- Vermijd lichaamscontact met een geaard oppervlak, zoals buizen, radiatoren, kookfornuizen en koelkasten. Er bestaat een verhoogd risico voor elektrische schokken als uw lichaam is geaard.
- Gebruik het product niet als er een kans op bliksem bestaat.
- Stel het product niet bloot aan regen of natte omstandigheden. Water dat in het apparaat binnensijpelt verhoogt het risico voor elektrische schok.
- Elektrische stroom moet via een aardlekschakelaar (RCD) worden geleverd met een uitschakelstroom van niet meer dan 30 mA.
- Voor elk gebruik controleert u het stroomsnoer op schade. Als er tekenen van schade zijn, moet het door een gekwalificeerde deskundige in een geautoriseerd onderhoudscentrum worden vervangen om mogelijke gevaren te vermijden. Ontrol het stroomsnoer altijd tijdens gebruik, opgerolde snoeren kunnen oververhitten.
- Als u een verlengsnoer moet gebruiken, zorg er dan voor dat dit geschikt is voor buitenshuis gebruik en dat het stroomvermogen voldoende is om

uw product van stroom te voorzien. Het verlengsnoer moet gemarkeerd zijn met "H05 RN-F" of "H05 VV-F". Controleer voor elk gebruik op schade. Laat tijdens gebruik altijd afrollen omdat opgerolde kabels kunnen oververhitten. Beschadigde verlengsnoeren mogen niet worden hersteld, maar moeten door een gelijkwaardig type worden vervangen.

- Gebruik het product niet als de elektrische kabels beschadigd of versleten zijn.
- Als het stroom- of verlengsnoer tijdens het gebruik beschadigd raakt, dient u het onmiddellijk van de stroomtoevoer te ontkoppelen. Raak de elektrische kabels niet aan tot de stroomtoevoer werd ontkoppeld.
- Zorg ervoor dat het stroomsnoer zo is geplaatst dat het niet kan worden beschadigd door de schoepen, men er niet kan over stappen, struikelen of het op een andere manier onderhevig is aan schade of belasting.
- Trek nooit aan het stroomsnoer om van de stroomtoevoer te ontkoppelen.
- Houd het stroomsnoer weg van hitte, olie en scherpe randen.
- Zorg ervoor dat de spanning correct is voor uw product. Een naamplaatje op het product duidt de spanning van het product aan. Verbind het product nooit met een AC-spanning die verschilt van deze spanning.

VOORBEREIDING

- Draag volledige gezichts- en gehoorbescherming terwijl u het product bedient.
- Gehoorbescherming kan de mogelijkheid van de bediener om waarschuwingsgeluiden te horen, beperken. Wees bijzonder aandachtig voor mogelijke gevaren rond en op de werkplaats.
- Draag een zware, lange broek, stevige antislipschoenen en handschoenen. Draag geen losse kledij, korte mouwen of juwelen. Gebruik de machine niet blootsvoets of met open sandalen.
- Maak lang haar vast boven schouderhoogte om te voorkomen dat het verstrikt raakt in de bewegende delen.
- Voor gebruik en na elke impact controleert u op beschadigde onderdelen. Een defecte

schakelaar of een ander onderdeel dat beschadigd of versleten is, moet deskundig worden hersteld of vervangen door een geautoriseerd onderhoudscentrum om gevaren te voorkomen.

- Gebruik het product nooit tenzij alle beschermers, deflectoren en handvatten correct en stevig zijn bevestigd.
- Controleer de schoepen voor elk gebruik. Vervang de schoepen door nieuwe exemplaren indien nodig. Versleten schoepen leiden tot verminderde prestaties en overbelasting van de motor.
- Houd rekening met de omgeving waarin u werkt. Houd het werkgebied vrij van draden, stokken, stenen en afval dat kan worden weggeslingerd wanneer het in contact komt met de schoepen.

CULTIVATOR VEILIGHEIDSWAARSCHUWINGEN

- Draag een gezichtsfilter in stofferige omstandigheden om het risico op letsels, die verbonden zijn met het inademen van stof, te verminderen.
- Gebruik het product langs een helling, nooit op een neer. Wees uiterst voorzichtig wanneer u op een helling van richting verandert.
- Wees uiterst voorzichtig wanneer u achteruit rijdt of het product naar u toe trekt.
- Hef het product nooit op of draag het nooit terwijl de motor draait.
- Gebruik het product niet in de omgeving van ondergrondse elektriciteitskabels, telefoonlijnen, buizen of leidingen.
- Gebruik het product uitsluitend bij daglicht of goede kunstmatige verlichting.
- Sta op een stevige ondergrond en bewaar steeds het evenwicht, in het bijzonder op hellingen.
- Stap niet achteruit terwijl u het product gebruikt.
- Wandel altijd, loop nooit met het product.
- Gebruik het product niet in de buurt van afstelplaatsen, dijken, zeer steile hellingen of bermen. Een slechte houvast kan ertoe leiden dat u uitglijdt en valt.
- Wees uiterst voorzichtig wanneer u werkt op moeilijke bodem. Als de bodem heel hard is, geeft u enkele dagen voor het

EN
FR
DE
ES
IT
NL
PT
DA
SV
FI
NO
RU
PL
CS
HU
RO
LV
LT
ET
HR
SL
SK
BG

cultiveren wat water.

- Vermijd werken op een drassige of natte grond. Wacht een of twee dagen na hevige regenval zodat de bodem kan drogen.
- Houd handen en voeten steeds weg van de draaischoepen, in het bijzonder wanneer u de motor inschakelt.
- Pas op voor voorwerpen die door de draaischoepen worden weggeslingerd. Verwijder afval, zoals kleine stenen, grind en andere vreemde voorwerpen uit het werkgebied voor u begint te werken. Draden of kabels kunnen in de draaischoepen verstrikt raken.
- Let op dat de schoepen blijven draaien nadat de motor is uitgeschakeld.
- Schakel de stroom uit en trek de stekker uit het stopcontact en wacht tot alle bewegende onderdelen zijn stilgevallen voor:
 - onderhoud
 - het product onbeheerd achterlaten
 - uw product reinigen of een blokkering vrijmaken
 - accessoires vervangen
 - controleer op schade nadat u een voorwerp hebt geraakt
 - controleer op schade als het product abnormaal begint te trillen
 - onderhoud uitvoeren
- Zorg er altijd voor dat de ventilatie-openingen vrij blijven van afval.
- Zorg ervoor dat alle beschermvoorzieningen zijn gemonteerd en zich in goede staat bevinden.
- Wijzig het product niet aangezien dit het risico op letsels voor uzelf en anderen kan verhogen.

⚠ LET OP

Het product kan omhoog en/of vooruit springen als de schoepen in contact komen met een extreem harde bodem, een bevroren bodem of begraven obstakels, zoals grote stenen, wortelen en stempen.

⚠ LET OP

Voor u het product van de ene naar de andere plaats verplaatst, schakelt u de motor uit en wacht u tot de schoepen volledig zijn stilgevallen. Wees voorzichtig dat de schoepen niet met de bodem in contact komen terwijl u het product verplaatst. De schoepen en het product zelf kunnen beschadigd raken, zelfs als de motor is uitgeschakeld.

BEDRIJFSTIPS

- Om het risico op letsels door contact met de bewegende onderdelen of weggeslingerde voorwerpen te vermijden, moet de bediener achter het handvat staan. Sta nooit naast of voor het handvat terwijl het product in bedrijf is.
- Draag altijd gehoorbescherming. Draag altijd antislipschoenen wanneer u het product bedient.
- Terwijl het product ondergrondse vegetatie en wortelen doorsnijdt en helpt opruimen, kunnen de schoepen in dichte vegetatie of bovengrondse stempen verstrikt raken. Maak het gebied dat moet worden gecultiveerd vrij met behulp van een struikruimer of een gelijkaardig werktuig en bereid de bodem voor door grote stukken afval (vb. stenen, bakstenen en metalen palen) te verwijderen.
- Houd handen en voeten weg van de schoepen, start de motor terwijl de schoepen een klein beetje boven de bodem hangen door op de vergrendelschakelaar te drukken, gevolgd door de aan-/uitschakelaar. Laag de schoepen tot op de bodem zakken terwijl u de handvatten stevig vasthoudt. Het product kan op dit moment proberen zichzelf vooruit te trekken, afhankelijk van de hardheid van de bodem. Weersta de trek van het product om vooruit te gaan en de schoepen moeten zich in de bodem beginnen te begraven. Als dit niet gebeurt, gaat u heen en weer (ongeveer 20 cm is voldoende) of duwt u het handvat lichtjes op en neer om de schoepen naar hun werkdiepte te helpen.
- U kunt de diepte van de schoepen in de bodem wijzigen door de wielen dichter of verder van de schoepen te plaatsen. Als de schoepen zich op de vereiste diepte in de

bodem bevinden, beweegt u het product langzaam vooruit en laat u de motor zijn werk doen. Als de schoepen voorwerp raken of doorsnijden dat te hard is, kan het product omhoog schieten terwijl de schoepen proberen over de obstructie te rijden. Leg het product stil en laat de schoepen volledig stilvallen voor u de obstructie onderzoekt of verwijdert.

- Als de te cultiveren bodem hard of droog is, is het beter om de bodem van water te voorzien zonder daarbij het water volledig in de bodem te laten indringen, en de bodem de tijd te geven om het water op te nemen, waarbij overtollig water wordt weggedraineerd voor u probeert te cultiveren

TRANSPORT EN OPSLAG

- Ontkoppel de machine altijd van de stroomtoevoer en rol de kabel op als u de machine bewaart.
- Leg het product stil en laat het afkoelen voor u het opbergt of transporteert.
- Verwijder alle vreemde voorwerpen van het product. Bewaar op een koele, droge en goed geventileerde plaats die niet toegankelijk is voor kinderen. Houd corrosieve producten, zoals tuinchemicaliën en strooizout uit de buurt van het apparaat. Bewaar niet buitenshuis.
- Wrijf de schoepen in met olie of besproei ze met smeermiddel op basis van silicone om roest te voorkomen. Wees voorzichtig voor scherpe of beschadigde randen op schoepen.
- Smeer alle zichtbare bewegende onderdelen met olie in. Verwijder het motordeksel niet.
- Voor transport beveilig u het product tegen bewegingen of vallen om letsels of schade aan het product te voorkomen.
- Draag het product niet aan de beschermer. Draag het product uitsluitend aan het handvat of het voorste handvat en houd het ook uitsluitend daar vast.

ONDERHOUD

⚠ WAARSCHUWING

Gebruik uitsluitend originele vervangonderdelen, accessoires en voorzetstukken van de fabrikant. Als u dit niet doet, kan dit mogelijk ietsels of slechte prestaties veroorzaken waardoor uw garantie kan vervallen.

⚠ WAARSCHUWING

Voor u het product inspecteert, reinigt of onderhoudt, trekt u de stekker uit de contactdoos en wacht u tot alle bewegende onderdelen zijn stilgevallen. Het niet opvolgen van deze aanwijzingen kan resulteren in ernstig lichamelijk letsel of grote materiële schade.

Vermijd het gebruik van oplosmiddelen wanneer u kunststof onderdelen schoonmaakt. De meeste soorten plastic zijn gevoelig voor schade, veroorzaakt door verschillende soorten commerciële oplosmiddelen en kunnen door hun gebruik worden beschadigd. Gebruik schone doeken om vuil, stof, olie, vet, etc. te verwijderen.

⚠ WAARSCHUWING

Laat op geen elk moment remvloeistoffen, benzine, producten op petroleumbasis, penetrerende oliën, etc. in contact komen met kunststof onderdelen. Deze chemicaliën bevatten namelijk stoffen die kunststof kunnen beschadigen, verzwakken of aantasten.

⚠ WAARSCHUWING

De schoepen zijn scherp. Wees voorzichtig en draag zware handschoenen wanneer u de veiligheidsbout installeert, vervangt, reinigt of controleert.

- Na elk gebruik, reinigt u het lichaam en de handvatten van het product met een zachte, droge doek en verwijdert u het afval van de schoepen met een stijve borstel.
- Controleer regelmatig of alle moeren, bouten en vijzen goed zijn vastgemaakt om zeker te zijn dat het product veilig kan worden gebruikt.

- Alleen de onderdelen die in de vervangonderdelenlijst zijn opgenomen, zijn bedoeld om door de klant te worden hersteld of vervangen. Alle andere onderdelen moeten door een geautoriseerd onderhoudscentrum worden vervangen.

RESTRISICO'S

Zelfs wanneer het product zoals voorgeschreven wordt gebruikt, is het nog steeds onmogelijk om bepaalde restrisico's volledig te elimineren. De volgende gevaren kunnen ontstaan tijdens het gebruik en de bediener moet bijzondere aandacht hebben om de volgende situaties te voorkomen:

- Contact met de schoepen.
- Letsels veroorzaakt door trillingen. Houd het product uitsluitend vast aan de handvatten en beperk de bedrijfs- en blootstellingstijd.
- Blootstelling aan geluid kan gehoorletsels veroorzaken. Draag gehoorbescherming en beperk de blootstelling.
- Gezichtsletsels door rondvliegend afval. Draag altijd gezichtsbescherming.

RISICOBEPERKING

Trillingen door handbediende producten kunnen in bepaalde gevallen bijdragen tot het Fenomeen van Raynaud. Symptomen kunnen ondermeer tintelingen, gevoelloosheid en bleek worden van de vingers omvatten, wat normaal gezien duidelijk wordt bij blootstelling aan koude. Erfelijke factoren, blootstelling aan koude en vocht, dieet, roken en werkroutine kunnen allemaal bijdragen tot de ontwikkeling van deze symptomen. Er kunnen door de bediener maatregelen worden genomen om de gevolgen van de trillingen te beperken:

- Houd bij koud weer uw lichaam warm. Draag handschoenen terwijl u het product gebruikt om de handen en polsen warm te houden. Men neemt aan dat koud weer een belangrijke factor is die bijdraagt tot het Syndroom van Raynaud.
- Doe oefeningen om de bloeddoorstroming te bevorderen na elke periode van gebruik.
- Neem regelmatig een pauze. Beperk het aantal uren dat u per dag wordt blootgesteld.

Wanneer u enige van de symptomen van deze aandoening ervaart, stop dan onmiddellijk

met het gebruik van het toestel en raadpleeg uw dokter

⚠ WAARSCHUWING

Letsels kunnen worden veroorzaakt of ernstiger worden door verlengd gebruik van een werktuig. Als u een werktuig gedurende langere periodes gebruikt, neem dan regelmatig pauze.

KEN UW PRODUCT

Zie pagina 137.

1. Handvat
2. Drukknop aan
3. Aan-/uitschakelaar
4. Stroomsnoer
5. Motorbesturingskabel
6. Stroomsnoerhouder
7. Motorbedieningskabelhouder
8. Voorste handvat
9. Binnenste schoep
10. Buitenste schoep
11. Wiel
12. Sleeppiket
13. Handvatknop

SYMBOLEN OP HET PRODUCT



Lees en begrijp alle instructies voor u het product bedient, volg alle waarschuwingen en veiligheidsinstructies.



Draag gehoorbescherming



Draag gezichtsbescherming



Trek de stekker uit de contactdoos onmiddellijk voor onderhoud of als het snoer is beschadigd, doorgesneden of verstrikt.



Houd rekening met weggeslingerde of rondvliegende voorwerpen. Houd alle omstanders, in het bijzonder kinderen en huisdieren, op tenminste 15m afstand van het werkgebied.



Houd voeten en handen weg van de draaischoepen



Houd het flexibele voedings snoer weg van de schoepen.



Elektrisch afval mag niet samen met ander huishoudafval worden weggegooid. Gelieve te recyclen indien de mogelijkheid bestaat. Neem contact op met uw lokaal bestuur of handelaar om advies te krijgen over recyclage.



Dit apparaat voldoet aan alle geldende normen van Lid-Staat van de Europese Unie waar het werd gekocht.



EurAsian-symbool van overeenstemming.



Het gegarandeerd geluidsniveau bedraagt 93 dB.

SYMBOLLEN IN DEZE GEBRUIKSAANWIJZING



Met een contactdoos verbinden



Trek uit de contactdoos



Onderdelen of accessoires afzonderlijk verkocht



OPMERKING:



WAARSCHUWING

EN
FR
DE
ES
IT
NL
PT
DA
SV
FI
NO
RU
PL
CS
HU
RO
LV
LT
ET
HR
SL
SK
BG

De volgende signaalwoorden en betekenissen zijn bedoeld om de gevaarniveaus die met het product zijn verbonden, te verklaren:

GEVAAR

Wijst op een gevaarlijke situatie die, als ze niet wordt voorkomen, dodelijk kan zijn of ernstige verwondingen kan veroorzaken.

WAARSCHUWING

Wijst op een mogelijks gevaarlijke situatie die, als ze niet wordt voorkomen, dodelijk kan zijn of ernstige verwondingen kan veroorzaken.

LET OP

Wijst op een mogelijks gevaarlijke situatie die, als ze niet wordt voorkomen, kleine of middelmatige verwondingen kan veroorzaken.

LET OP

Zonder veiligheidswaarschuwingssymbool
Wijst op een situatie die kan leiden tot materiële schade.

USO PREVISTO

Segurança, desempenho e fiabilidade foram as prioridades na concepção da alfaia eléctrica.

O produto destina-se apenas a utilização no exterior por um operador em pé, a caminhar com o produto. Por razões de segurança, o aparelho tem que ser adequadamente controlado através da operação com as duas mãos em todos os momentos.

O produto foi concebido para cultivar o solo numa área de jardim doméstico. A profundidade máxima de funcionamento do aparelho é de 19,5 cm.

O aparelho nunca deve ser operado sem as rodas estarem apoiadas no chão. Não deve ser montado. O aparelho só deve ser utilizado conforme descrito no presente manual e não deve ser utilizado para qualquer outro fim.

AVISOS GERAIS DE SEGURANÇA

⚠ ADVERTÊNCIA

Ao utilizar o produto, devem seguir-se as normas de segurança. Para a sua própria segurança e a dos que o rodeiam, leia estas instruções antes de utilizar o produto. Guarde as instruções para usá-las no futuro.

⚠ ADVERTÊNCIA

O produto não deve ser utilizado por crianças nem por pessoas com capacidades físicas, mentais ou sensoriais reduzidas. As crianças devem ser mantidas sob vigilância adequada para se garantir que não brincam com o produto.

⚠ ADVERTÊNCIA

Algumas regiões têm normas que limitam o uso do produto. Consulte a sua autoridade local para obter informação.

FORMAÇÃO

- Nunca permita que crianças ou pessoas que não estejam familiarizadas com estas instruções utilizem o produto. A legislação local pode restringir a idade do operador.
- Leia as instruções com atenção. Familiarize-se com todos os controlos e a utilização adequada do aparelho.

- Mantenha os transeuntes, as crianças e os animais a 15 m de distância da zona de operação. Desligue o aparelho se alguém entrar na área.
- Não utilize o produto quando estiver cansado, doente ou sob a influência do álcool, drogas ou medicamentos.
- Mantenha em mente que o operador ou o utilizador é responsável pelos acidentes ou perigos que ocorrem a outras pessoas ou à sua propriedade.

SEGURANÇA ELÉCTRICA

- As ligações devem ser adequadas para a tomada de corrente. Nunca altere a ficha seja de que maneira for. Não use quaisquer fichas adaptadoras com ferramentas de ligação com terra. As fichas não modificadas e tomadas compatíveis reduzirão o risco de choque eléctrico.
- Evite o contacto do corpo com superfícies com ligação terra ou enterradas, tais como tubos, radiadores, fogões e frigoríficos. Há um aumento do risco de choque eléctrico se o seu corpo estiver ligado à terra.
- Não utilize o produto quando existe risco de relâmpagos.
- Não exponha este produto à chuva ou humidade elevada. Se entrar água no aparelho, isto aumentará o risco de descargas eléctricas.
- O fornecimento eléctrico deveria efectuar-se através de um dispositivo de corrente residual (RDC) com uma corrente activa não superior a 30 mA.
- Antes de cada uso, examine o cabo para ver se está danificado. Caso existam sinais de danos, este deve ser substituído por um técnico qualificado num centro de assistência autorizado para evitar perigos. Desenrole sempre o cable durante o uso, os cabos enrolados podem sobreaquecer.
- Caso precise utilizar uma extensão, assegure-se que esta é adequada para uso no exterior e que tem uma capacidade de corrente suficiente para alimentar o aparelho. O cabo de prolongamento deverá levar a marca "H05 RN-F" ou "H05 VV-F". Antes de cada uso verifique que não há danos. Mantenha sempre os cabos desenrolados enquanto os utiliza porque os cabos enrolados podem sobreaquecer. Os alargadores não devem ser reparados,

devem ser substituídos por outros que sejam equivalentes.

- Não utilizar o produto se os cabos eléctricos estiverem danificados ou desgastados.
- Se o cabo de alimentação ou o cabo de extensão se danificarem durante o uso, desligar imediatamente do fornecimento eléctrico. Não tocar nos cabos eléctricos até se ter desligado o fornecimento eléctrico.
- Assegure-se de que o cabo de alimentação está situado de tal maneira que não pode ser danificado ou cortado pelo dentes e que não se pisará, estorvará nem estará submetido a danos ou incómodos.
- Não pegue no cabo de alimentação para desligá-lo do fornecimento eléctrico.
- Mantenha o cabo eléctrico afastado do calor, óleo e pontas afiadas.
- Assegure-se de que a voltagem é adequada para o seu produto. Uma placa de identificação no produto indica a voltagem do produto. Não ligue o produto a uma voltagem de CA que não corresponda à sua voltagem.

PREPARAÇÃO

- Use óculos de protecção total para os olhos e ouvidos ao utilizar este produto.
- Os protetores para os ouvidos podem limitar a capacidade dos operadores para ouvir sons de alerta. Preste especial atenção aos perigos potenciais à volta e dentro da zona de trabalho.
- Use calças compridas e pesadas, calçado protetor antideslizante e luvas. Não use roupas largas, calças curtas nem joias de qualquer tipo. Não opere o aparelho descalço nem com sandálias abertas.
- Prenda o cabelo comprido para que fique acima do nível dos ombros para evitar que fique emaranhado em peças móveis.
- Antes do seu uso e após qualquer impacto, comprove que não há peças danificadas. Os interruptores ou peças avariados ou desgastados devem ser devidamente reparados ou substituídos por um centro de assistência autorizado de modo a evitar perigos.
- Nunca opere com o produto a menos que todas as proteções, deflectores e cabos estejam unidos de forma correta e segura.

- Verifique as pontas antes de cada utilização. Substitua as pontas por novas sempre que necessário. Pontas desgastadas são um convite a um fraco desempenho e a uma sobrecarga do motor.
- Tenha em conta o ambiente em que está a trabalhar. Mantenha a zona de trabalho livre de cabos, paus, pedras e sujidade que, se forem atingidos pelos dentes, podem converter-se em objetos lançados.

AVISOS DE SEGURANÇA DA ALFAIA

- Use uma máscara de filtro de rosto em condições de poeira para reduzir o risco de lesão associada à inalação de pó.
- Utilize o aparelho na superfície de encostas, nunca para cima, nem para baixo. Tenha extrema cautela ao mudar de direcção nas inclinações.
- Seja extremamente cauteloso ao recuar ou puxar o produto em direcção a si próprio.
- Nunca levante nem transporte o aparelho com o motor em funcionamento.
- Não opere o produto próximo de cabos eléctricos, linhas de telefone, canos ou mangueiras subterrâneos.
- Utilize o aparelho apenas com luz diurna ou com uma boa luz artificial.
- Mantenha-se bem apoiado e equilibrado em todas as circunstâncias, especialmente em encostas.
- Não ande para enquanto usa este produto.
- Ande, nunca corra com o produto.
- Não utilize o aparelho perto de declives, valas, zonas de inclinação excessiva ou aterros. Um fraco equilíbrio pode causar um acidente em que escorrega e cai.
- Tenha extremo cuidado ao trabalhar em solo difícil. Caso o solo seja muito duro, regue alguns dias antes de cultivar.
- Evite trabalhar o solo quando este estiver empapado ou molhado. Espere um dia ou dois após uma chuva forte para que a terra seque.
- Mantenha as mãos e os pés afastados dos dentes rotativos em todos os momentos e especialmente ao ligar o motor.
- Tenha cuidado com objetos que possam ser projetados pelas pontas em rotação. Limpe a sujidade como pequenas pedras, gravilha e outros objetos estranhos da zona

de trabalho antes de começar a operar. Fios e cabos podem ficar emaranhados nas pontas rotativas.

- Cuidado, os dentes continuam a funcionar após o motor ser desligado.
- Desligue, retire a ficha da alimentação elétrica e espere até que todas as peças móveis parem antes de:
 - manutenção
 - deixar o produto sem vigilância
 - limpeza do seu produto e desobstrução de bloqueio.
 - mudar acessórios
 - comprovar se há danos depois de bater num objecto
 - comprovar se há danos caso o produto comece a vibrar de um modo anormal
 - realizar operações de manutenção
- Assegure-se sempre que as aberturas de ventilação se mantêm desobstruídas de detritos.
- Assegure-se que todos os dispositivos de proteção estão bem encaixados e em boas condições.
- Não modifique, de forma nenhuma, o produto, porque pode aumentar o risco de lesionar-se ou os demais.

⚠ ADVERTÊNCIA

O produto pode saltar e/ou avançar se as pontas tocarem em solo compacto, solo congelado ou obstáculos enterrados, como pedras grandes, raízes ou estacas.

⚠ ADVERTÊNCIA

Antes de transportar o aparelho de uma área para outra desligue o motor e espere que as pontas parem completamente. Tenha cuidado para que as pontas não toquem no solo enquanto transporta o aparelho. Tanto as pontas como o aparelho podem ser danificados mesmo com o motor desligado.

DICAS DE FUNCIONAMENTO

- De modo a diminuir os riscos de lesões provocadas pelo contacto com as peças móveis ou por objetos projetados, o operador deve manter-se por trás da

pega. Nunca se deve ficar ao lado nem à frente das pegas com o aparelho em funcionamento.

- Use sempre protecção para os olhos. Utilize sempre calçado de segurança antidesslizante quando operar o aparelho.
- Enquanto o aparelho corta e ajuda a limpar vegetação e raízes do subsolo, as pontas podem ficar emaranhadas em vegetação densa ou resistente no solo. Limpe a área a cultivar com um cortador ou de outro modo semelhante e prepare o solo removendo quaisquer detritos de maiores dimensões (por exemplo, pedras, tijolos e pedaços de metal) da superfície.
- Mantendo as mãos e os pés afastados das pontas, coloque o motor em funcionamento com as pontas ligeiramente acima do solo, pressionando o bloqueio do interruptor e o interruptor ligado/desligado. Enquanto segura firmemente nas pegas, baixe as pontas para o solo. O aparelho pode tentar avançar sozinho neste ponto, dependendo da dureza do solo. Resista à força de avanço do aparelho e as pontas começarão a enterrar-se no solo. Caso isto não aconteça, utilize um movimento de recuo e avanço (cerca de 20 cm será suficiente) ou de levantar e baixar ligeiramente com a pega de modo a ajudar as pontas a conseguirem a profundidade de trabalho.
- Pode alterar a profundidade no solo das pontas, movendo as rodas para mais perto ou mais longe das pontas. Quando as pontas estiverem na profundidade de solo desejada, empurre lentamente o aparelho para a frente, deixando que o motor faça o trabalho. Se as pontas atingirem algum objeto demasiado rijo para ser movido ou cortado, o aparelho pode levantar-se à medida que as pontas tentam passar por cima da obstrução. Pare o aparelho e espere que as pontas cessem todos os movimentos antes de investigar ou remover a obstrução.
- Se o solo a cultivar for duro ou seco, será melhor molhá-lo sem o deixar completamente ensopado e deixar passar algum tempo para que a água penetre na terra de modo a que o excesso seja drenado antes de o tentar cultivar.

TRANSPORTE E ARMAZENAMENTO

- Para o seu armazenamento, desligar sempre do fornecimento eléctrico e enrolar o cabo.
- Pare o produto e deixe arrefecer antes de guardá-la ou transportá-la.
- Limpe todos os materiais estranhos do produto. Guarde-o num local fresco e seco e bem ventilado a que as crianças não consigam aceder. Mantenha-o afastado de substâncias corrosivas, tais como produtos químicos utilizados em jardinagem e sais de descongelação. Não armazenar ao ar livre.
- Limpe os dentes com óleo ou pulverize-os com lubrificante de silicone para prevenir a oxidação. Tenha atenção a pontas afiadas ou danificadas.
- Lubrifique todas as peças móveis visíveis. Não remova a tampa do motor.
- Para o transporte, segure o produto para não se mover nem cair e evitar assim lesionar alguém ou danificar o produto.
- Não transporte o aparelho segurando-o pela proteção. Segure ou transporte o aparelho segurando apenas na pega ou na pega frontal.

MANUTENÇÃO

⚠ ADVERTÊNCIA

Utilize apenas peças de substituição, acessórios e encaixes do fabricante original. A inobservância desta indicação pode causar um fraco desempenho, possíveis lesões e poderá anular a sua garantia.

⚠ ADVERTÊNCIA

Antes de inspecionar, limpar ou efetuar manutenções no produto, desconecte o cabo de alimentação e espere que todas as peças móveis parem. O incumprimento destas instruções pode ocasionar ferimentos graves ou estragos materiais importantes.

Evite usar solventes ao limpar as peças de plástico. A maioria dos plásticos é susceptível de sofrer danos de vários tipos de solventes comerciais e podem ser danificados pelo seu uso. Use panos limpos para remover a

sujidade, a poeira, o óleo, a gordura, etc.

⚠ ADVERTÊNCIA

Nunca, em qualquer momento, deixe que fluidos de travagem, gasolina, produtos petrolíferos, óleos de perfuração, etc., entrem em contacto com as peças de plástico. Estas substâncias contêm produtos químicos que podem danificar, enfraquecer ou destruir o plástico.

⚠ ADVERTÊNCIA

As pontas são afiadas. Tenha cuidado e use luvas pesadas ao encaixar, substituir, limpar ou verificar o parafuso de segurança.

- Após cada utilização, limpe o corpo e as pegas do aparelho com um pano seco e limpe os detritos das pontas com um escova rija.
- Verifique todas as porcas, pregos e parafusos com intervalos frequentes para confirmar a tensão apropriada e se certificar que o produto está em condições seguras de funcionamento.
- Apenas as peças que são indicadas na lista de peças de substituição se destinam a ser reparadas ou substituídas pelo cliente. Todas as outras peças devem ser substituídas num centro de assistência autorizado.

RISCOS RESIDUAIS:

Mesmo quando se utiliza o produto segundo as instruções, continua a ser impossível eliminar por completo certos fatores de risco residuais. Podem surgir os seguintes riscos durante o uso e o operador deve prestar especial atenção para evitar o seguinte:

- Contacto com pontas.
- Lesões por vibração. Segure o produto pelos cabos destinados para o efeito e limite o tempo de funcionamento e de exposição.
- A exposição ao ruído pode provocar perda de audição. Use proteção para os ouvidos e limite o tempo de exposição.
- Lesões oculares provocadas por detritos projetados. Use sempre proteção para os olhos.

REDUÇÃO DO RISCO

Foi reportado que as vibrações que derivam de produtos que se seguram com as mãos podem contribuir para uma doença designada Síndrome de Raynaud em determinados indivíduos. Os sintomas podem incluir formigueiro, entorpecimento e empalidecimento dos dedos, habitualmente visível aquando da exposição ao frio. Estima-se que os factores hereditários, exposição ao frio e humidade, dieta, tabagismo e práticas de trabalho contribuem todos para o desenvolvimento destes sintomas. Existem medidas que podem ser tomadas pelo operador para possivelmente reduzir os efeitos da vibração:

- Mantenha o seu corpo quente durante o tempo frio. Ao operar o produto, use luvas para manter as mãos e os pulsos quentes. Encontra-se reportado que o tempo frio é um grande factor que contribui para o Síndrome de Raynaud.
- Após cada período de operação, exercite para aumentar a circulação sanguínea.
- Faça pausas frequentes no trabalho. Limite o tempo de exposição por dia.

Caso sinta algum dos sintomas desta doença, interrompa de imediato a sua utilização e consulte o seu médico sobre estes sintomas.

⚠ ADVERTÊNCIA

O uso prolongado de uma ferramenta pode causar o agravar lesões. Ao usar qualquer ferramenta durante períodos prolongados, assegure-se que faz intervalos regulares.

CONHEÇA O SEU APARELHO

Ver a página 137.

1. Manípulo
2. Botão de premir Liga
3. Fecho do interruptor de ligar/desligar (On/Off)
4. Cabo de alimentação
5. Cabo de controlo do motor
6. Retentor do cabo elétrico
7. Retentor do cabo de controlo do motor
8. Pega frontal
9. Dente interior
10. Dente exterior
11. Roda
12. Suporte de arrasto

40 | Português

13. Botão da pega

SÍMBOLOS NO PRODUTO



Leia e compreenda todas as instruções antes de manipular o produto, respeite os alertas e as instruções de segurança.



Use protecção para os ouvidos



Usar protecção para os olhos



Retire a ficha da corrente de imediato antes da manutenção ou caso o cabo esteja danificado, cortado ou enredado.



Tenha cuidado com os objectos voláteis ou lançados. Mantenha todos os espectadores, especialmente crianças e animais de estimação, a pelo menos 15 m da área de funcionamento.



Mantenha os pés e as mãos afastados dos dentes em rotação



Mantenha o cabo flexível afastado das pontas de corte.



Os aparelhos eléctricos antigos não devem ser eliminados juntamente com o lixo doméstico. Recicle onde existem instalações para o efeito. Verifique com as suas Autoridades Locais ou revendedor para obter informações sobre reciclagem.



Esta ferramenta obedece a todas as normas regulamentares do país da UE onde foi comprada.



Marca de conformidade EurAsian.



O nível de potência sonora garantido é de 93 dB.

As seguintes palavras de sinal e significados destinam-se a explicar os níveis de risco associados a este produto:

⚠ PERIGO

Indica uma situação perigosa iminente, que, se não evitada, poderá resultar em morte ou ferimentos graves.

⚠ ADVERTÊNCIA

Indica uma situação potencialmente perigosa, que, se não evitada, poderá conduzir à morte ou graves lesões.

⚠ ADVERTÊNCIA

Indica uma situação potencialmente perigosa, que, se não evitada, poderá resultar em pequenas ou moderadas lesões.

ADVERTÊNCIA

Sem símbolo de alerta de segurança
Indica uma situação que pode resultar em danos de propriedade.

EN
FR
DE
ES
IT
NL
PT
DA
SV
FI
NO
RU
PL
CS
HU
RO
LV
LT
ET
HR
SK
BG

SÍMBOLOS NESTE MANUAL



Ligar à tomada de corrente



Desligar da tomada de corrente



As peças ou acessórios vendem-se separadamente



NOTA:



ADVERTÊNCIA

TILTÆNKT ANVENDELSESFØRMÅL

Sikkerhed, ydelse og driftssikkerhed har fået topprioritet i designet af din elektriske kultivator.

Dette produkt er kun beregnet til brug udendørs af en operatør, som går med produktet. Af sikkerhedshensyn skal produktet altid kontrolleres omhyggeligt ved at fastholde det med begge hænder.

Produktet er designet til kultivering eller løsning af jord i et åbent, privat haveområde. Produktets maksimale arbejdsdybde er 19.5 cm.

Produktet må aldrig benyttes, hvis hjulene ikke hviler på jorden. Man må ikke køre/ride på produktet. Produktet må kun benyttes som beskrevet i denne brugsanvisning og må ikke benyttes til andre formål.

GENERELLE SIKKERHEDSADVARSLER

⚠ ADVARSEL

Når produktet anvendes, skal sikkerhedsreglerne efterleves. Af hensyn til egen og andres sikkerhed skal man læse denne brugsanvisning, inden produktet anvendes. Disse sikkerhedsregler skal opbevares med henblik på senere brug.

⚠ ADVARSEL

Produktet er ikke beregnet til at blive benyttet af børn eller personer med nedsatte fysiske, mentale eller sensoriske evner. Børn bør holdes under tilstrækkelig opsyn, så man er sikker på, at de ikke leger med produktet.

⚠ ADVARSEL

Nogle områder har regler, som begrænser brugen af produktet. Forhør dig hos de lokale myndigheder.

UDDANNELSE

- Lad aldrig børn eller personer uden kendskab til denne brugsanvisning bruge produktet. Lokale love kan have indflydelse på den tilladte brugerage.
- Læs brugsanvisningen omhyggeligt. Sørg for at blive fortrolig med betjeningsselementerne samt korrekt brug af produktet.

- Tilskuere, børn og kæledyr skal have en sikkerhedsafstand på mindst 15 m til arbejdsområdet. Stop produktet, hvis uvedkommende kommer ind i området.
- Du må aldrig bruge produktet, når du er træt, syg eller under påvirkning af alkohol, narkotika eller medicin.
- Husk det er brugeren selv der er ansvarlig for ulykker eller farer andre folk bliver udsat for.

ELEKTRISK SIKKERHED

- Elværktøjets elstik skal passe til stikkontakten. Elstikket må aldrig modificeres på nogen som helst måde. Undlad brug af adapterstik til jordede (stelforbundne) elværktøjer. Umodificerede elstik og passende elnetkontakter reducerer faren for elektrisk stød.
- Undgå kropskontakt med jordede eller stelforbundne overflader som fx rør, radiatorer, komfurer og køleskabe. Der er forøget risiko for elektrisk stød, hvis din krop er forbundet med jord eller stel.
- Produktet må ikke benyttes, hvis der er fare for tordenvejr.
- Dette produkt må ikke udsættes for regn eller fugt. Hvis der trænger vand ind i et produkt, øges faren for elektrisk stød.
- Strømmenskaltilføres via et fejlstrømsmodul (RCD) med en udløsestrøm på max 30 mA.
- Inden hver brug skal man kontrollere elkablet for evt. beskadigelser. Hvis det opviser tegn på skader, skal det udskiftes af en autoriseret person på et autoriseret servicecenter for at undgå farlige situationer. Elkablet skal altid ruller helt ud under brug; oprullede kabler kan blive overophedet.
- Hvis man skal bruge en forlængerledning, skal man sikre sig, at den er velegnet til udendørs brug og har en mærkekapacitet, der er tilstrækkelig til at forsyne produktet. Forlængerledningen skal være mærket med enten "H05 RN-F" eller "H05 VV-F". Skal kontrolleres for skader inden hver brug. Kablet skal altid ruller helt ud, da oprullede kabler kan blive overophedet. Beskadede forlængerkabler må ikke repareres, men skal udskiftes med en tilsvarende type.
- Produktet må ikke anvendes, hvis de elektriske kabler er beskadiget eller slidte.

- Hvis strømforsyningskabler eller forlængerkablet bliver beskadiget under brug, skal strømforsyningen afbrydes øjeblikkeligt. Undgå at røre ved elektriske kabler, før strømforsyningen er blevet afbrudt.
- Kontrollér, at strømforsyningskablet er positioneret, så det ikke kan blive beskadiget af knivene, så ingen træder på det eller falder over det, eller så det ikke på anden måde udsættes for skade eller belastning.
- Træk aldrig i selve kablet, når stikket skal trækkes ud af kontakten.
- Hold strømforsyningsledningen på afstand af varme, olie og skarpe kanter.
- Kontrollér, at spændingen passer til produktet. En navneplade på produktet indikerer enhedens spænding. Produktet må aldrig sluttes en til vekselstrømsspænding, der afviger fra denne spænding.

FORBEREDELSE

- Benyt fuldt øjen- og høreværn under arbejde med dette produkt.
- Høreværn kan begrænse brugerens evne til at høre advarselslyde; vær derfor særligt opmærksom på potentielle risici omkring og i arbejdsområdet.
- Benyt kraftige lange benklæder, robust skridsikkert beskyttelsesfodtøj og -handsker. Undlad at bære løstsiddende tøj, korte bukser eller smykker af enhver art. Produktet må ikke betjenes barfodet eller med åbne sandaler.
- Langt hår skal bindes op over skulderniveau, så det ikke risikerer at vikles sig ind i bevægelige dele.
- Inden ibrugtagning og efter enhver ydre påvirkning skal man kontrollere, at der ikke findes beskadigede dele. En defekt kontakt eller en del, som er blevet beskadiget eller slidt, skal repareres ordentligt eller udskiftes på et autoriseret serviceværksted for at undgå farlige situationer.
- Produktet må aldrig benyttes, før alle skærme, deflektorer og håndtag er fastgjort ordentligt og sikkert.
- Kontrollér knivene inden brug. Udskift knivmodulerne med nye efter behov. Slidte knive medfører dårlig ydelse og overbelastning af motoren.

- Tag højde for det aktuelle arbejdsmiljø. Hold arbejdsområdet ryddet for ledninger, pinde, sten og affald, som ved kontakt med knivene kan blive til udslyngede genstande.

SIKKERHEDSADVARSLER FOR KULTVATOR

- Benyt ansigtsmaske i støvede omgivelser for at reducere risikoen for personskader som følge af inhalering af støv.
- Kør produktet på tværs af skråninger, aldrig op og ned. Udvis stor forsigtighed når græsslåmaskinen vendes på bakker.
- Vær yderst forsigtig, når produktet vendes eller trækkes hen mod dig.
- Løft eller bær aldrig produktet med kørende motor.
- Produktet må ikke benyttes i nærheden af nedgravede elledninger, telefonledninger, rør eller slanger.
- Brug produktet i dagslys eller god kunstig belysning.
- Sørg for altid at have godt fodfæste og god balance, især på skråninger.
- Undgå at gå baglæns under brug af produktet.
- Gå med produktet - løb aldrig.
- Undgå at bruge produktet nær skrænter, grøfter, meget stejle skåninger eller diger. Dårligt fodfæste kan føre til tab af balance og faldulykker.
- Udvis ekstrem forsigtighed, når der arbejdes i vanskelige jordforhold. Hvis jorden er meget hård, kan man vande den et par dage inden kultivering.
- Undgå at arbejde i mudret eller våd jord. Efter kraftigt regnvejr bør man vente en dag eller to, til jorden er tør.
- Hold altid hænder og fødder på afstand af de roterende knive, ikke mindst når motoren startes.
- Pas på bortslyngede objekter fra roterende knive. Fjern affald som små sten, ral og andre fremmedlegemer fra arbejdsområdet, inden arbejdets start. Ledninger og snore kan blive viklet ind i de roterende knive.
- Vær opmærksom på, at knivene fortsætter med at rotere, efter at motoren er slukket.
- Sluk produktet, og kobl det fra

EN
FR
DE
ES
IT
NL
PT
DA
SV
FI
NO
RU
PL
CS
HU
RO
LV
LT
ET
HR
SL
SK
BG

strømforsyningen, og afvent, til alle bevægelige dele er stoppet, inden:

- servicering
 - at efterlade produktet uden opsyn
 - rengøring af produktet eller eliminering af en blokering.
 - Udsiftning af tilbehør
 - kontrol for evt. skader efter kollision med et objekt
 - kontrol for evt. skader, hvis produktet begynder at vibrere unormalt
 - udførelse af vedligeholdelsesarbejde
- Sørg altid for, at ventilationsåbningerne er fri for affald.
 - Kontrollér, at alt beskyttelsesudstyr er monteret og i god stand.
 - Undgå at ændre ved produktet på nogen måde; dette kan øge risikoen for at skade sig selv eller andre.

⚠ PAS PÅ

Produktet kan blive kastet op og/eller springe fremad, hvis knivene rammer noget meget hårdt, komprimeret jord, frossen undergrund eller nedgravede forhindringer som fx store sten, rødder eller træstubbe.

⚠ PAS PÅ

Inden man flytter produktet fra det ene område til det næste, skal man slukke motoren og afvente, til knivene er standset fuldstændigt. Pas på, at knivene ikke rører ved jorden, mens produktet flyttes. Både knivene og selve produktet kan blive beskadiget, selv om motoren er slukket.

BRUGSTIPS

- For at reducere risikoen for personskader i forbindelse med bevægelige dele eller udslyngede objekter skal operatøren befinde sig bag styret. Man aldrig stå ved siden af eller foran styret, mens produktet benyttes.
- Brug altid øjenværn. Brug altid skridsikket fodtøj ved brug af dette produkt.
- Mens produktet skærer og bidrager til at rydde underjordisk vegetation og rødder, kan knivene blive viklet ind i tung vegetation eller stubbe over jorden. Ryd

først det område, der skal kultiveres, med en buskrydder eller lignende, og forbered jorden ved at fjerne alle større stykker affald (fx sten, mursten og metalstænger) fra overfladen.

- Hold hænder og fødder væk fra knivene, start motoren med knivene hævet lidt over jordoverfladen ved først at trykke på kontaktlåsen og derefter på tænd/sluk-kontakten. Men man holder godt fast i styret, sænker man knivene ned på jorden. På dette tidspunkt kan produktet kan forsøge at trække sig selv fremad afhængig af jordens hårdhedsgrad. Når du kæmper imod produktets forsøg på at trække sig selv fremad, begynder knivene at grave sig ned i jorden. Gør de ikke det, kan man bevæge produktet frem og tilbage (ca. 20 cm er tilstrækkeligt) eller vugge det let op og ned med styret for derved at hjælpe knivene med at grave sig ned til den ønskede arbejdsdybde.
- Man kan ændre knivenes dybde i jorden ved at flytte hjulene tættere på eller længere væk fra knivene. Når først knivene har den ønskede dybde i jorden, bevæger man langsomt produktet fremad og lader motoren gøre arbejdet. Hvis knivene rammer et objekt, der er for hårdt til enten at flytte eller sønderrive, risikerer man, at produktet løfter sig, når knivene forsøger at overvinde forhindringen. Stop produktet, og afvent, til knivene er helt stoppet, inden der gøres forsøg på at undersøge eller fjerne forhindringen.
- Hvis den jord, der skal kultiveres, er hård eller tør, er det en god ide at vande jorden, men uden at gennembløde den fuldstændigt, og give vandet tid til at trænge ned i jorden, og til at det overskydende vand kan løbe væk, inden man starter kultiveringen.

TRANSPORT OG OPBEVARING

- Opbevaring skal altid ske med afbrudt strømforsyning op oprullet kabel.
- Stop produktet, og lad det køle af, inden den opbevares eller transporteres.
- Afrens alle fremmedlegemer fra produktet. Opbevar den på et køligt, tørt og godt ventileret sted utilgængeligt for børn. Opbevar motorsaven på afstand af ætsende midler som f.eks. havekemikalier

og optøningssalt. Må ikke opbevares uendørs.

- Tør fræserknivene af med olie, eller spray dem med silikone-smøremiddel, så de beskyttes mod rustangreb. Pas på skarpe eller beskadigede kanter på tænderne.
- Alle synlige, bevægelige dele skal smøres. Undlad at fjerne motorhjælmen.
- Til transport skal man sikre produktet, så den ikke kan bevæge sig eller vælte; dette for at forebygge personskader eller skader på produktet.
- Undlad at bære produktet i skærmen. Produktet må kun holdes og bæres i styret eller forhåndtaget.

VEDLIGEHOLDELSE

⚠ ADVARSEL

Brug kun originale reservedele, ekstraudstyr og tilbehør fra producenten. I modsat fald er der fare for personskader, dårlig maskinydelse og annullering af garantien.

⚠ ADVARSEL

Inden inspektion, rengøring eller servicering af produktet skal stikket trækkes ud af lysnetkontakten, og man skal vente, til alle bevægelige dele er standset. Hvis disse regler ikke overholdes, kan man komme alvorligt til skade eller forårsage betydelige materielle skader.

Undgå brug af opløsningsmidler til rengøring af plastdele. De fleste typer plastic kan tage skade ved brug af forskellige opløsemidler. Snavs, støv, olie, fedt, mv., fjernes med rene klude.

⚠ ADVARSEL

Sørg for, at bremsevæske, benzin, petroleumsbaserede produkter, penetreringsolie, mv., aldrig kommer i kontakt med plastdele. Disse kemiske produkter indeholder stoffer, som kan beskadige, mørne eller ødelægge plastmaterialet.

⚠ ADVARSEL

Knivene er skarpe. Vær forsigtig, og benyt kraftige handsker, når du monterer, udskifter, rengør eller kontrollerer boltsikkerheden.

- Efter hver brug skal man rengøre selve produktet og dets håndtag med en blød tør klud og fjerne jordresterne fra knivene med en stiv børste.
- Tjek ofte alle møtrikker, bolte og skruer om de sidder godt fast, og sørg for at produktet fungerer ordentligt.
- Kun de dele, der fremgår af reservedelslisten, må repareres eller udskiftes af kunden selv. Alle andre dele skal udskiftes på et autoriseret servicecenter.

UUNDGÅELIGE RISICI

Selv om produktet anvendes som foreskrevet, er det stadig umuligt at eliminere visse uundgåelige risikofaktorer fuldstændigt. Følgende risici kan opstå under brug, og operatøren bør være særligt opmærksom for at undgå følgende:

- Kontakt med knivene.
- Personskader forårsaget af vibration. Hold produktet i de hertil indrettede håndtag, og begræns arbejdstiden og eksponeringen.
- Eksponering for støj kan medføre høreskader. Benyt høreværn, og begræns eksponering.
- Øjenskader pga. flyvende affaldsstykker. Der skal altid benyttes øjenværn.

RISIKOREDUKTION

Der er rapporteret om, at vibrationer fra håndholdte produkter kan være medvirkende til en lidelse kaldet Raynauds syndrom hos visse personer. Symptomerne herpå kan være prikken, følelsesløshed og blegning af fingrene, der normalt viser sig ved kuldepåvirkning. Faktorer som arvelighed, udsættelse for kulde og fugt, kost, rygning og arbejdsvaner menes alle at medvirke til udviklingen af disse symptomer. Der findes forholdsregler, som operatøren kan træffe for at begrænse påvirkningen fra vibrationer:

- Hold kroppen varm i koldt vejr. Brug handsker, så hænder og vrister holdes varme under arbejdet. Der er rapporteret

om, at koldt vejr er en væsentlig faktor til Raynauds syndrom.

- Motionér efter hver arbejdsperiode for at øge blodcirkulationen.
- Hold hyppige arbejdspauser. Begræns eksponeringen for vibrationer pr. dag.

Hvis du mærker nogen af symptomerne på denne tilstand, skal du straks ophøre med arbejdet og søge læge.

⚠ ADVARSEL

Længere tids brug af et værktøj kan forårsage - eller forværre - personskader. Når man bruger et værktøj i længere perioder ad gangen, skal man huske at holde hyppige pauser.

KEND PRODUKTET

Se side 137.

1. Håndtag
2. Tænd/sluk-kontakt
3. Tænd/Sluk-kontaktlås
4. Elledning
5. Motorstyre-kabel
6. Holder til strømforsyningskabel
7. Motorstyre-kabel-holder
8. Forhåndtag
9. Indre kniv
10. Ydre kniv
11. Hjul
12. Jordspyd
13. Styrknap

SYMBOLER PÅ PRODUKTET



Alle vejledninger skal læses og forstås, inden produktet benyttes; følg alle advarsler og sikkerhedsinstrukser.



Bær høreværn



Benyt øjenværn



Træk omgående stikket ud af lysnetkontakten, hvis kablet beskadiges, skæres over eller sammenfiltres.



Pas på udslyngede eller flyvende objekter. Sørg for, at tilskuere (især børn og dyr) er mindst 15 m fra arbejdsområdet.



Hold fødder og hænder på afstand af roterende knive.



Hold det fleksible strømforsyningskabel på afstand af knivene.



Elektriske affaldsprodukter bør ikke afskaffes sammen med husholdningsaffald. Genbrug venligst hvor faciliteterne tillader dette. Tjek med din lokale kommune eller forhandler for genbrugsråd.



Dette redskab overholder alle lovkraft og standarder i det EU-land, hvor det er købt.



EurAsian-overensstemmelsesmærke



Det garanterede lydeffektniveau er 93 dB(A).

Formålet med nedenstående signalord og betydninger er at tydeliggøre risikoniveauet i forbindelse med produktet:

⚠ FARE

Indikerer en meget farlig situation, som hvis ikke undgås, kan føre til alvorlige skader og i værste fald døden.

⚠ ADVARSEL

Indikerer en potentielt farlig situation, som hvis ikke undgås, kan føre til alvorlige skader og i værste fald døden.

⚠ PAS PÅ

Indikerer en potentielt farlig situation, som hvis ikke undgås, kan føre til mindre eller moderate skader.

PAS PÅ

Uden sikkerhedsadvarselssymbol
Indikerer en situation, som kan medføre materiel skade.

SYMBOLER I DENNE BRUGSANVISNING



Tilslut til stikkontakt



Træk stikket ud af stikkontakten



Dele eller tilbehør, der sælges separat



BEMÆRK:



ADVARSEL

EN
FR
DE
ES
IT
NL
PT
DA
SV
FI
NO
RU
PL
CS
HU
RO
LV
LT
ET
HR
SL
SK
BG

ANVÄNDNINGSSOMRÅDE

Säkerhet, prestanda och pålitlighet har alltid varit högsta prioritet vid design av elektrisk kultivator.

Produkten är enbart avsedd för utomhusbruk av användare som går med produkten. Av säkerhetsskäl ska produkten hela tiden kontrolleras med båda händerna.

Produkten är avsedd för att bruka och luckra upp jord på ett öppet trädgårdsområde. Max arbetsdjup för produkten är 19.5 cm.

Produkten får inte användas när inte hjulen är på marken. Rid inte på produkten. Produkten får enbart användas enligt beskrivning i denna bruksanvisning och inte för andra ändamål.

ALLMÄNNA SÄKERHETSFORESKRIFTER

⚠ VARNING

När man använder apparaten måste säkerhetsföreskrifterna följas För din egen, och andra närvarandes säkerhet, läs alltid dessa instruktioner innan du använder produkten Förvara instruktionerna på säker plats.

⚠ VARNING

Produkten är inte avsedd för användning av barn eller personer med fysiska, mentala eller emotionella funktionshinder. Barn ska alltid övervakas så att de inte leker med produkten.

⚠ VARNING

I vissa regioner finns regleringar som begränsar användning av produkten. Ta kontakt med lokala myndigheter för information.

UTBILDNING

- Låt aldrig barn eller personer som inte känner till dessa instruktioner använda maskinen. Lokala regler kan åldersbegränsa användningen av gräsklipparen.
- Läs igenom instruktionerna noga. Bekanta dig med reglagen och rätt användning av produkten.
- Håll åskådare, barn och husdjur på minst 15 meters avstånd. Stoppa produkten om

någon kommer i närheten.

- Använd aldrig produkten om du är trött, sjuk eller påverkad av alkohol, droger eller medicin.
- Kom ihåg att användaren är ansvarig för olyckor och faror som uppstår för andra människor och deras egendom.

ELECTRICAL SAFETY

- Elverktygets kontakt måste passa i uttaget. Modifiera inte kontakten på något sätt. Använd inga adapterkontakter med jordade kraftverktyg. Omodifierade kontakter och matchande uttag minskar risken för elektrisk stöt.
- Undvik kroppskontakt med jordade ytor, som exempelvis rör, element, spis och kylskåp. Det föreligger en förhöjd risk för elektrisk stöt om din kropp är jordad.
- Använd inte produkten om det finns risk för åskväder.
- Exponera inte produkten för regn eller våta förhållanden. Om vatten kommer in i maskinen ökar risken för elektrisk stöt.
- El bör komma ifrån en apparat med residual krets (RCD) med en utlösande strömstyrka ej överstigande 30 mA.
- Kontrollera alltid elkabeln före användning. Om det finns tecken på skada ska den bytas ut av utbildad tekniker på godkänt servicecenter för att undvika skaderisk. Rulla ut kabeln före användning, hoprullad kabel kan överhettas.
- Om du måste använda förlängningskabel ska du kontrollera att den är för utomhusbruk och har tillräcklig kapacitet för att fungera med verktyget. Förlängningskabeln ska vara märkt med antingen "H05 RN-F" eller "H05 VV-F". Kontrollera så det inte finns några skador inför varje användning. Rulla ut kabeln under användning, hoprullad kabel kan överhettas. Skadade förlängningskablar får inte repareras, de ska ersättas med motsvarande typ.
- Använd inte produkten om kablarna är skadade eller slitna.
- Om el-kabeln eller försägningsladden skadas när den används, måste man genast koppla ur väggurtaget. Rör inte vid el-kablarna förrän väggkontakten är urkopplad
- Se till att kabeln är placerad så att den

inte kan skadas under arbetet och att ingen kliver på den, ingen snubblar på den och kabeln inte på något sätt utsätts för påfrestningar.

- Dra aldrig ur kontakten ur väggen genom att dra i sladden.
- Håll el-kabeln borta från värme, olja och skarpa kanter.
- Kontrollera att spänningen är korrekt för produkten. På en skylt på produkten anges strömstyrkan (volt). Koppla aldrig produkten till en växelströmsstyrka som skiljer från denna.

FÖRBEREDELSE

- Använd alltid ögon- och hörselskydd vid användning av produkten.
- Hörselskydd kan begränsa användarens möjlighet att höra varningsljud, var extra noga med potentiella faror kring och inom arbetsområdet.
- Använd grova långa byxor, halksäkra skyddsskor och arbetshandskar. Bär inte löst sittande kläder, korta byxor eller smycken av något slag. Använd inte utrustningen barfota eller med öppna sandaler.
- Sätt upp hår som är längre än till axlarna så att det inte trasslas in i rörliga delar.
- Kontrollera före användning och efter påverkan att det inte finns några skadade delar. Ett defekt reglage eller någon del som är skadad eller sliten ska repareras eller ersättas av godkänt servicecenter för att undvika skaderisk.
- Använd inte maskinen om inte alla skydd, avvisare och handtag är korrekt och ordentligt monterade.
- Kontrollera tänderna före användning. Byt ut tänderna mot nya vid behov. Slitna tändar ger dålig prestanda och överbelastar motorn.
- Tänk alltid på omgivningen där du arbetar. Håll arbetsområdet fritt från vajrar, pinnar, stenar och skräp som kan träffas av tänderna och flyga iväg.

VIKTIGA SÄKERHETSVARNINGAR FÖR KULTIVATOR

- Använd ansiktsskydd i dammiga förhållanden för att minska skaderisk förknippad med inandning av damm.

- Använd produkten tvärs lutningar, aldrig upp och ner. Var extremt försiktig när du byter riktning i en slutning.
- Var extremt försiktig vid backning eller då maskinen dras i riktning mot dig.
- Lyft aldrig upp och bär produkten när motorn är i gång.
- Använd inte produkten nära nedgrävda elkablar, telefonlinjer, rörledningar eller slangar.
- Använd enbart produkten i dagsljus eller i bra elljus.
- Se till att hela tiden ha bra fotfäste och balans, speciellt i lutningar.
- Gå inte baklänges när produkten används.
- Gå alltid, spring inte med produkten.
- Använd inte produkten vid höjdskillnader, diken, alltför branta lutningar eller kullar. Dåligt fotfäste kan resultera i halkningsolyckor.
- Var extremt försiktig vid arbete i "svår" jord. Om jorden är mycket fast kan du vattna den ett par dagar innan den brukas.
- Arbeta inte om jorden är lerig eller våt. Vänta ett par dagar efter mycket regn så att jorden torkar upp.
- Håll alltid händer och fötter på avstånd från de roterande tänderna, speciellt när motorn slås på.
- Se upp för föremål som kastas i väg av de roterande tänderna. Rensa bort skräp som småstenar, grus och andra främmande föremål från arbetsområdet innan arbetet påbörjas. Vajrar eller tråd kan trasslas in i de roterande tänderna.
- Tänderna fortsätter att rotera när motorn har stängts av.
- Stoppa produkten och koppla från strömmen, se till att alla rörliga delar har stoppat helt före:
 - service
 - att lämna produkten utan tillsyn
 - rengöring eller rensning av ett stopp
 - byte av tillbehör
 - efter att ha slagit i något skall man kontrollera ev. skador
 - kontrollera ev. skador om produkten börjar vibrera onormalt
 - Underhåll

- Säkerställ alltid att ventilationshålen är öppna och fria från smuts.
- Se till att alla skyddsanordningar sitter ordentligt och är i gott skick.
- Modifiera inte produkten på något sätt, det kan öka risken för skador på dig själv eller andra.

⚠ PÅMINNELSE

Produkten kan studsas uppåt och/eller hoppa framåt om tänderna tar tag i hårt packad jord, frusen jord eller nedgrävda föremål som stora stenar, rötter och stubbar.

⚠ PÅMINNELSE

Innan produkten flyttas till ett nytt område ska motorn stängas av och tänderna ska stanna helt. Var försiktig så att inte tänderna tar i marken vid flyttning av produkten. Tänderna och själva produkten kan skadas även om motorn är avstängd.

TIPS FÖR ANVÄNDNING

- För att minska skaderisken med roterande delar eller kringkastade föremål ska användaren alltid befinna sig bakom handtaget. Stå aldrig vid sidan eller framför handtaget när produkten används.
- Bär alltid ögonskydd. Bär halksäkra skor när du använder produkten.
- Även om produkten skär av och hjälper till att rensa vegetation under marken kan den trasslas in i växtlighet ovan marken. Rensa området som ska brukas med en röjsåg eller liknande och förbered arbetsområdet genom att ta bort större skräp (som stenar, tegel och metallstavar) från ytan.
- Håll händer och fötter på säkert avstånd från tänderna, starta motorn med tänderna lite ovanför marken genom att trycka på strömbrytarlåset och därefter strömbrytaren. Håll ordentligt tag i handtaget och sänk långsamt ned tänderna i marken. Produkten kan vid detta tillfälle försöka att dra i väg framåt beroende på hur hård marken är. Håll emot produktens drag så tar tänderna tag i jorden och börjar gräva sig framåt. Om de inte gör så kan du gunga fram och bak (cirka 20 cm räckel) eller upp och ned med handtaget för att hjälpa tänderna komma ned till

arbetsdjupet.

- Du kan ändra arbetsdjupet genom att flytta hjulen närmare eller längre bort från tänderna. När tänderna är i marken på rätt djup rör du långsamt produkten framåt och låter motorn göra arbetet. Om tänderna slår i alltför hårda föremål som inte kan flyttas eller skäras kanske produkten höjs så att tänderna går över föremålet. Stoppa produkten och låt tänderna stoppa helt innan du undersöker eller tar bort hindret.
- Om jorden som ska brukas är hård eller torr är det bättre att vattna men inte så att jorden blir lerig och låt vattnet penetrera jorden och överflödet dränera bort innan du brukar jorden.

TRANSPORT OCH FÖRVARING

- Vid förvaring skall den alltid vara urkopplad från väggurtaget och kabeln upprullad
- Stoppa produkten och låt den svalna före transport eller förvaring.
- Ta bort allt främmande material från produkten. Förvara den svalt och välventilerat på en plats där barn inte kan komma åt den. Förvara på avstånd från frätande medel, t.ex. trädgårdskemikalier och vägsalt. Förvara den inte utomhus.
- Torka av tänderna med olja eller spraya dem med silikonmörjmedel för att de inte ska rosta. Var försiktig med vassa eller skadade kanter på tänder.
- Olja alla rörliga delar. Ta inte bort motorkåpan.
- Vid transport ska produkten säkras mot rörelser eller fallande för att förhindra personskadorna eller att produkten skadas.
- Bär aldrig produkten i skyddet. Håll eller bär produkten enbart i handtaget eller främre handtaget.

UNDERHÅLL

⚠ VARNING

Använd enbart ersättningsdelar och tillbehör från tillverkaren. Om inte kan det eventuellt orsaka skador, sämre resultat och kan upphäva garantin.

⚠ VARNING

Före översyn, rengöring eller service av produkten ska strömkabeln kopplas från och alla delar ska ha stoppat. Underlåtenhet att följa dessa föreskrifter kan försäkra allvarliga kroppsskador eller stora materiella skador.

Undvik att använda lösningsmedel vid rengöring av plastdelar. De flesta plasterna är mottagliga för skador från olika varianter av kommersiella lösningsmedel och kan skadas om sådana används. Använd en ren och torr trasa för att avlägsna smuts, damm, olja, fett, osv.

⚠ VARNING

Låt aldrig bromsvätska, bensin, bensinbaserade produkter, penetrerande oljor, etc., komma i kontakt med plastdelarna. Dessa ämnen innehåller kemiska produkter som kan skada, försvaga eller förstöra plasten.

⚠ VARNING

Tänderna är vassa. Var extremt försiktig och använd grova arbetshandskar vid montering, byte eller kontroll av mutter.

- Efter varje användning ska produkten och handtaget rengöras med en mjuk, torr trasa samt skrapa rensas bort med en hård borste.
- För att vara säker på att produkten är säker att använda, kontrollera alla muttrar, bultar och skruvar regelbundet för att säkerställa att de är åtdragna ordentligt.
- Bara de delar som finns på listan med utbytesdelar är avsedda att repareras eller bytas ut av kunden. Alla andra delar ska bytas ut på auktoriserat servicecenter.

KVARSTÅENDE RISKER

Även om produkten används enligt instruktionerna går det inte att eliminera alla eventuella riskfaktorer. Följande risker kan uppstå vid användning och operatören ska vara extra uppmärksam för att undvika följande:

- Kontakt med tänderna.
- Skada orsakad av vibration. Håll produkten

i de avsedda handtagen och begränsa arbetstid och exponering.

- Exponering för buller kan orsaka hörselskador. Använd hörselskydd och begränsa exponeringen.
- Ögonskador på grund av kringkastade föremål. Använd alltid lämpligt ögonskydd.

RISKMINSKNING

Det finns rapporter om att vibrationer från handhållna produkter kan bidra till ett tillstånd som kallas Raynauds syndrom för vissa personer. Symptomen brukar vara att det sticker i fingrarna och att de domnar bort; fingrarna kan också bli vita, särskilt vid kyla. Årftliga faktorer, kyla och fukt, diet, rökning och arbetsrutiner tros alla bidra till att orsaka dessa symptom. Det finns förebyggande åtgärder som du kan vidta för att försöka minska vibrationernas påverkan:

- Håll dig varm när du arbetar i kallt väder. Använd handskar för att hålla händer och handleder varma under användning. Kyla har rapporterats som en viktig del i utvecklandet av Raynauds syndrom.
- Träna och rör på dig efter varje användningstillfälle för att öka blodcirkulationen.
- Ta ofta pauser från arbetet. Begränsa tiden du utsätter dig varje dag.

Upphör omedelbart om du upplever några av dessa symptom och uppsök din läkare.

⚠ VARNING

Risk för person- eller slitageskador vid användning av verktyget under lång tid. Om verktyget används under längre perioder krävs regelbundna pauser.

LÄR KÄNNA PRODUKTEN

Se sida 137.

1. Handtag
2. Omkopplare av/på
3. Strömbrytarlås
4. Strömsladd
5. Motorkontrollkabel
6. Elkabelhållare
7. Hållare för motorkontrollkabel
8. Främre handtag
9. Innettänder
10. Yttertänder

EN
FR
DE
ES
IT
NL
PT
DA
SV
FI
NO
RU
PL
CS
HU
RO
LV
LT
ET
HR
SL
SK
BG

11. Hjul
12. Dragstake
13. Handtagsvred

SYMBOLER PÅ PRODUKTEN



Läs igenom och var införstådd med alla instruktioner före användning av produkten, var uppmärksam på alla varningar och säkerhetsinstruktioner.



Använd hörselskydd



Bär ögonskydd



Koppla bort kontakten från elnätet direkt före underhåll eller om kabeln skulle vara skadad, avklippt eller tilltrasslad.



Se upp med kringkastade eller flygande föremål. Håll alla åskådare, barn och husdjur på minst 15 meters avstånd från arbetsområdet.



Håll fötter och händer borta från roterande tänder



Håll elkabeln borta från skärtänderna.



Gamla elektroniska produkter ska inte kastas med hushållssoporna. Återvinn där sådana faciliteter finns. Kontrollera med din lokala myndighet eller säljaren för att få återvinningstips.



Detta verktyg uppfyller alla standarder i de EU-länder där det kan köpas.



EurAsian överensstämmelsesymbol.



Garanterad ljudnivå är 93 dB.

att beskriva risknivåer associerade med produkten:

FARA

Indikerar en överhängande farlig situation som kan, om den inte undviks, resultera i dödsfall eller allvarlig skada.

VARNING

Indikerar en potentiellt farlig situation som kan, om den inte undviks, resultera i dödsfall eller allvarlig skada.

PÅMINNELSE

Indikerar en potentiellt farlig situation som kan, om den inte undviks, resultera i mindre eller medelstora skador.

PÅMINNELSE

Utän säkerhetssymbol

Visar på en situation som kan orsaka skada på egendom.

SYMBOLER I MANUALEN



Koppla den till ett väggurtag



Urkoppling från väggurtag



Delar och utrustning säljs separat



ANMÄRKNING:



VARNING

Följande signalord och betydelser är avsedda

KÄYTTÖTARKOITUS

Sähkökäyttöisen kultivaattorin suunnittelussa on pidetty etusijalla turvallisuutta, suorituskykyä ja luotettavuutta.

Tuote on tarkoitettu vain ulkokäyttöön käyttäjän kävellessä tuotteen kanssa. Turvallisuussyistä tuotteen on oltava asianmukaisesti hallinnassa ja käyttäjän on pideltävä sitä aina kaksin käsin.

Tuote on suunniteltu maan kultivointiin tai löysentämiseen avoimessa kotipuutarhassa. Tuotteen suurin työsyvyys on 19.5 cm.

Tuotetta ei saa koskaan käyttää sen pyörien ollessa irti maasta. Sillä ei saa ratsastaa. Tuotetta saa käyttää ainoastaan tässä käyttöoppaassa kuvatulla tavalla, eikä sitä saa käyttää muihin tarkoituksiin.

YLEISET TURVALLISUUSVAROITUKSET

⚠ VAROITUS

Noudata turvallisuussääntöjä tuotetta käyttäessäsi. Oman ja sivullisten turvallisuuden vuoksi, lue nämä ohjeet ennen tuotteen käynnistämistä. Säilytä ohjeet tulevaa käyttöä varten.

⚠ VAROITUS

Tuotetta ei ole tarkoitettu lasten eikä sellaisten ihmisten käytettäväksi, joiden ruumiin, aistien tai mielen suorituskyky on heikentynyt. Lapsia on pidettävä asianmukaisesti silmällä, jotta he eivät pääse leikkimään tuotteella.

⚠ VAROITUS

Joillain alueilla vallitsee säädöksiä, jotka rajoittavat tämän tuotteen käyttöä. Pyydä paikallisilta viranomaisilta neuvoa.

KOULUTUS

- Älä anna lasten tai käyttöohjeita tuntemattomien ihmisten käyttää laitetta. Paikalliset säädökset saattavat asettaa rajoituksia käyttäjän iälle.
- Lue ohjeet huolella. Opi käyttämään kaikkia ohjaimia ja laitetta asianmukaisesti.
- Pidä sivulliset, lapset ja lemmikit 15 metrin etäisyydellä työalueesta. Sammuta tuote, jos alueelle tulee joku.

- Älä koskaan käytä tuotetta väsyneenä, sairaana tai alkoholin, huumeiden tai lääkkeiden vaikutuksen alaisena.
- Muista, että ruohonleikkurin käyttö on vastuunalainen vahingoista ja vaurioista, jotka hän aiheuttaa muille ihmisille ja heidän omaisuuksilleen.

SÄHKÖTURVALLISUUS

- Pistokkeen on sovittava pistorasiaan. Älä koskaan muunna pistoketta millään tavalla. Älä käytä maadoitettujen sähkötyökalujen kanssa minkäänlaisia sovittipistokkeita. Alkuperäiset pistokkeet ja niitä vastaavat pistorasiat pienentävät sähköiskun vaaraa.
- Älä kosketa maadoitettuihin pintoihin, kuten putkiin, lämpöpattereihin, helioihin tai jääkaappeihin. Jos ruumiisi on maadoitettu, sähköiskun vaara on suurempi.
- Älä käytä tuotetta paikassa, jossa on salamaniskun vaara.
- Älä altista tuotetta sateelle tai kosteudelle. Veden pääsy laitteeseen lisää sähköiskun vaaraa.
- Virtalähteessä tulee olla jäännösvirtalaitte (RCD), jonka trippausvirta on enintään 30 mA.
- Tarkista virtajohto aina ennen käyttöä. Jos löytyy mitään merkkejä vaurioitumisesta, pätevän henkilön on vaihdettava se valtuutetussa huollossa, jotta vältytään vaurioilta. Avaa aina johto kääröltä ennen käyttöä; kääriyty johdot voivat ylikuumentua.
- Jos sinun on käytettävä jatkojohtoa, varmista että se soveltuu ulkokäyttöön ja että sen luokitus riittää tuotteelle. Jatkojohdossa tulisi olla merkintä "H05 RN-F" tai "H05 VV-F". Tarkista se vaurioiden varalta ennen jokaista käyttökertaa. Avaa aina se kääröltä ennen käyttöä, koska kääriyty johdot voivat ylikuumentua. Vaurioituneita jatkojohtoja ei saa korjata vaan ne tulee vaihtaa vastaavan tyyppiisiin.
- Älä käytä tuotetta, jos sähköjohto on vioittunut tai kulunut.
- Jos virtajohto tai jatkojohto vioittuu käytön aikana, irrota se heti virtalähteestä. Älä kosketa sähköjohtoja, ennen kuin virta on katkaistu.
- Varmista, että virtajohto sijaitsee siten, että piikit eivät voi vahingoittaa sitä ja että sen päälle ei astuta eikä siihen kompastuta

eikä se muuten vioitu tai rasitu.

- Älä koskaan irrota laitetta pistorasiasta vetämällä virtajohdosta.
- Älä päästä virtajohtoa koskettamaan kuumuuden lähteitä, öljyä tai teräviä reunoja.
- Tarkista, että jännite on tuotteelle oikea. Tuotteen jännite ilmoitetaan sen nimikyltissä. Älä koskaan kytke tuotetta tästä jännitteestä poikkeavaan vaihtovirtaan.

VALMISTELUT

- Käytä tuotetta käyttäessäsi täysii suojalaseja ja kuulosuojaimia.
- Kuulosuojaimet voivat heikentää käyttäjän kykyä kuulla varoitusääniä; ole erityisen tarkkaavainen vaaratilanteiden suhteen työalueen ympärillä ja sisällä.
- Käytä paksuja housuja, kestäviä liukastussuojattuja jalkineita ja käsineitä. Älä käytä löysiä vaatteita, shortseja tai minkäänlaisia koruja. Älä käytä laitetta paljasjaloin tai avosandaaleissa.
- Sido pitkät hiukset hartioiden yläpuolelle, jotta ne eivät pääse tarttumaan liikkuviin osiin.
- Tarkista ennen käyttöä ja aina iskun jälkeen, että laitteessa ei ole vioittuneita osia. Valtuutetun huoltopisteen on korjattava tai vaihdettava viallinen kytkin tai muu vahingoittunut tai kulunut osa asianmukaisesti, jotta vältyt vaaroilta.
- Älä koskaan käytä tuotetta ilman, että kaikki suojukset, hihnat, ohjauslevyt ja kädensijat on kiinnitetty tukevasti.
- Tarkista piikit ennen jokaista käyttökertaa. Vaihda piikkikokoonpanot uusiin tarvittaessa. Kuluneet piikit heikentävät suorituskykyä ja ylikuormittavat moottoria.
- Pidä työympäristö mielessä. Pidä työalue vapaana johdoista, kepeistä, kivistä ja roskista, jotka saattavat sinkoutua piikkien osuessa niihin.

KULTIVAATORIN TURVALLISUUSVAROITUKSET

- Käytä pölyisissä paikoissa hengityssuodatinta, jotta pölyn hengittämisestä aiheutuvat riskit pienenevät.

- Käytä tuotetta rinteessä poikittain, ei ylös ja alas. Ole erityisen varovainen vaihtaessasi suuntaa rinteessä.
- Ole erittäin varovainen, kun peruutat tai vedät tuotetta itseäsi kohden.
- Älä koskaan nosta tai kannata tuotetta moottorin käydessä.
- Älä käytä tuotetta maanalaisten sähköjohtojen, puhelinkaapeleiden, putkien tai letkujen läheisyydessä.
- Käytä tuotetta ainoastaan päivänvalossa tai hyvässä keinovalossa.
- Säilytä aina kunnollinen jalansija ja tasapaino, erityisesti rinteissä.
- Älä kävele takaperin tuotetta käyttäessäsi.
- Kävele, älä koskaan juokse käyttäessäsi tuotetta.
- Älä käytä tuotetta jyrkän teiden, oijen, hyvin jyrkkien rinteiden tai töyräiden lähellä. Jos saatta huonon jalansijan, voit liukastua, kaatua ja loukkaantua.
- Ole erittäin varovainen työskennellessäsi hankalan maaperän kanssa. Jos maaperä on erittäin kovaa, kastele se muutama päivä ennen kultivointia.
- Älä muokkaa maata, joka on märkä tai mutainen. Anna maan kuivua päivän, pari rankkasateen jälkeen.
- Pidä kädet ja jalat aina kaukana pyörivistä piikeistä, erityisesti moottoria käynnistäessäsi.
- Varo pyörivistä piikeistä sinkoutuvia kappaleita. Siivoa työalueelta roskat, kuten pienet kivet, sora ja muut vieraskappaleet, ennen käytön aloittamista. Johdot ja narut voivat sotkeutua pyöriin piikkeihin.
- Varo – piikit jatkavat pyörimistä moottorin sammuttamisen jälkeen.
- Sammuta laite ja irrota pistoke ja anna kaikkien liikkuvien osien pysähtyä, ennen kuin teet seuraavia:
 - huolto
 - tuotteen jättäminen valvomatta
 - ennen tuotteen puhdistamista tai tukoksen poistamista.
 - lisävarusteiden vaihtaminen
 - vaurioiden tarkistaminen esineeseen osumisen jälkeen
 - vaurioiden tarkistaminen, jos tuote alkaa

täristä epänormaalisti

- huolto
- Pidä aina huoli siitä, että tuuletusaukoissa ei ole roskia.
- Varmista, että laitteessa on kaikki suojaimet ja että ne ovat hyvässä kunnossa.
- Älä tee tuotteeseen mitään muunnoksia; se lisäksi loukkaantumisen vaaraa sinulle ja muille.

▲ HUOMAUTUS

Tuote saattaa ponnahtaa ylöspäin ja/ tai singota eteenpäin, jos piikit iskeytyvät kovaksi pakkautuneeseen tai jäiseen maahan tai maanalaiseen esteeseen, kuten suureen kiveen, juureen tai kantoon.

▲ HUOMAUTUS

Sammuta moottori ja odota, että piikit pysähtyvät, ennen kuin siirrä tuotetta paikasta toiseen. Varo, että piikit eivät kosketa maata, kun siirrä tuotetta. Piikit ja tuote voivat vioittua, vaikka moottori olisikin sammuksissa.

KÄYTTÖVINKKEJÄ

- Käyttäjän on seisottava ohjaustangon takana, jotta liikkuviin osiin koskettamisesta tai sinkoutuneista kappaleista aiheutuva loukkaantumisen vaara olisi pienempi. Älä koskaan seiso ohjaustangon vieressä tai edessä tuotteen ollessa käynnissä.
- Käytä aina suojalaseja. Käytä aina liukastussuojattuja jalkineita käyttäessäsi tuotetta.
- Vaikka tuote leikkaa ja raivaa maanalaisia kasvistoa ja juuristoa, piikit saattavat sotkeutua paksuun maanpäälliseen kasvistoon tai sänkeen. Raivaa kultivoitava alue pensasleikkurilla tai vastaavalla laitteella ja valmistele maa keräämällä suuret roskat (kuten kivet, tiilet ja metallitangot) pois sen pinnalta.
- Pidä kädet ja jalat kaukana piikeistä ja käynnistä moottori pidellen piikkejä hieman maanpinnan yläpuolella painamalla virtalukkoa ja sitten virtapainiketta. Pitele ohjaustangosta tukevasti kiinni ja laske piikit maahan. Tuote voi yrittää vetää itseään eteenpäin, riippuen maan

kovuudesta. Estä tuotetta liikkumasta eteenpäin; piikkien kuuluisi tällöin uppoutua maahan. Jos näin ei käy, siirtele laitetta edestakaisin (noin 20 cm:n matkan tulisi riittää) tai keinuta sitä hieman ylös ja alas ohjaustangolla auttaaksesi piikkejä saavuttamaan työsyvyys.

- Voit säätää piikkien uppoamaa siirtämällä pyöriä lähemmäs piikkejä tai kauemmas niistä. Kun piikit ovat maassa oikealla syvyydellä, liikuta tuotetta hitaasti eteenpäin ja anna moottorin tehdä työnsä. Jos piikit iskeytyvät esineeseen, joka on liian kova liikutettavaksi tai leikattavaksi, tuote voi nousta ylöspäin piikkien pyrkiessä ylittämään esteen. Sammuta tuote ja anna piikkien lakata liikkumasta, ennen kuin yrität tutkia tilannetta tai poistaa estettä.
- Jos kultivoitava maa on kovaa tai kuivaa, se kannattaa kastella, mutta älä kuitenkaan kastele sitä liikaa; anna veden tunkeutua maahan ja liian veden valua pois ennen kultivoinnin jatkamista.

KULJETUS JA VARASTOITAESSA

- Irrota virtalähde ja kiedo johto kelaksi ennen varastointia.
- Sammuta tuote ja anna sen jäähtyä riittävästi ennen varastointia tai kuljetusta.
- Puhdista laitteesta kaikki vieraat materiaalit. Varastoi laite viileään, kuivaan ja hyvin tuuletettuun paikkaan, jossa lapset eivät pääse siihen käsiksi. Pidä poissa syövyttäviltä aineilta kuten puutarhakemikaaleilta ja jäänsulatussuolalta. Älä säilytä ulkona.
- Pyyhi piikit öljyllä tai ruiskuta niihin silikonivoiteluainetta estääksesi ruostumisen. Varo piikkien teräviä ja vaurioituneita reunoja.
- Öljyä kaikki näkyvissä olevat liikkuvat osat. Älä irrota moottorin suojusta.
- Kiinnitä tuote kuljetettaessa siten, että se ei pääse liikkumaan tai kaatumaan, jotta välttyä loukkaantumisilta ja vaurioilta.
- Älä kannu tuotetta suojusta. Pitele tai kannu tuotetta ainoastaan ohjaustangosta tai etukahvasta.

EN
FR
DE
ES
IT
NL
PT
DA
SV
FI
NO
RU
PL
CS
HU
RO
LV
LT
ET
HR
SL
SK
BG

HUOLTO

⚠ VAROITUS

Käytä ainoastaan alkuperäisiä valmistajan tuottamia varaosia, lisälaitteita ja lisävarusteita. Tämän noudattamatta jättäminen voi johtaa loukkaantumiseen ja huonoon tulokseen ja voi mitätöidä takuun.

⚠ VAROITUS

Ennen kuin tarkastat, puhdistat tai huollat tuotteen, irrota virtapistoke virtalähteestä ja anna kaikkien liikkuvien osien pysähtyä. Näiden ohjeiden laiminlyönti voi aiheuttaa vakavia vammoja ja suuria materiaalisia vahinkoja.

Älä puhdista muoviosia liuottimilla. Suurin osa muoveista ei siedä markkinoilla olevia määrättyjä liuotteita, jotka vahingoittavat niitä. Poista lika, pöly, öljy, rasva tms. puhtailla rievuilla.

⚠ VAROITUS

Älä koskaan päästä jarrunesteitä, bensiniä, öljytuotteita, läpäiseviä öljyjä tms. kosketuksiin muoviosien kanssa. Nämä kemialliset aineet voivat vaurioittaa, heikentää tai tuhota muovin.

⚠ VAROITUS

Piikit ovat teräviä. Ole varovainen ja käytä paksuja käsineitä asettaessasi pulttia paikoilleen ja asentaessasi tai puhdistaessasi sitä ja tarkistaessasi sen kireyttä.

- Puhdista tuotteet runko ja kahvat pehmeällä, kuivalla liinalla ja poista roskat piikeistä kovalla harjalla jokaisen käyttökerran jälkeen.
- Varmista aina, että ruuvit ja mutterit ovat tiukasti kiinni, jotta tuote olisi aina turvallinen ja käyttövalmis.
- Ainoastaan varaosaluettelon osat on tarkoitettu asiakkaan korjattaviksi tai vaihdettaviksi. Valtuutetun huollon on vaihdettava kaikki muut osat.

KÄYTTÖÖN LIITTYVÄT RISKIT

Vaikka tuotetta käytettäisiin ohjeiden mukaisesti, ei ole mahdollista täysin eliminoida tiettyjä käyttöön liittyviä riskitekijöitä. Käytössä voi aiheutua seuraavia vaaroja, ja käyttäjän tulee kiinnittää erityistä huomiota niiden välttämiseen:

- Kosketus piikkeihin.
- Tärinän aiheuttama vamma. Pitele tuotetta aina kahvoista ja rajoita työaikaa sekä altistumista.
- Liian kova melu voi aiheuttaa kuulovamman. Käytä suojalaseja ja rajoita altistumista.
- Silmävamma sinkoilevien roskien takia. Käytä aina suojalaseja.

RISKIEN VÄHENTÄMINEN

Raporttien mukaan käsikäyttöisten tuotteiden tärinä voi joidenkin kohdalla myötävaikuttaa Raynaud's Syndromen (Raynaudin oireen) ilmenemiseen. Oireita ovat pistely, turtuus ja sormien kalpeneminen, yleensä kylmässä ilmassa. Perinnölliset tekijät, kylmyys ja kosteus, ruokavalio, tupakointi sekä työtavat voivat kaikki myötävaikuttaa näiden oireiden ilmenemiseen. Käyttäjä voi ehkäistä tärinän aiheuttamia vaikutuksia seuraavasti:

- Pidä itsesi lämpimänä kylmällä säällä. Käytä tuotteen käytön aikana käsineitä, jotta kätesi ja ranteesi pysyvät lämpöisinä. Raporttien mukaan kylmä ilma on tärkeä tekijä Raynaud's Syndromen (Raunaudin oireiden) ilmenemisessä.
- Harjoita kunkin käyttöjakson jälkeen liikuntaa, jotta verenkierto lisääntyisi.
- Pidä työn aikana säännöllisesti taukoja. Rajoita päivittäisen tärinän määrää.

Jos mitään yllä mainittuja oireita ilmenee, lopeta heti laitteen käyttö ja kerro oireista lääkärille.

⚠ VAROITUS

Laitteen pitkittynyt käyttö voi aiheuttaa tai vaikeuttaa vammoja. Kun käytät mitä tahansa laitetta pitkiä aikoja, muista pitää säännöllisiä taukoja.

TUNNE TUOTTEESI

Katso sivu 137.

1. Kädensija

2. Virtakytkin
3. Virtalukko
4. Virtajohto
5. Moottorin ohjauskaapeli
6. Virtajohdon pidike
7. Moottorin hallintakaapelin kiinnike
8. Etukädensija
9. Sisempi piikki
10. Ulompi piikki
11. Pyörä
12. Vetopaalu
13. Ohjaustangon nappi

TUOTTEESSA OLEVAT SYMBOLIT



Lue ja ymmärrä kaikki ohjeet ennen tuotteen käyttöä ja noudata kaikkia varoituksia ja turvallisuusohjeita.



Käytä kuulosuojaimia



Käytä silmäsuojaimia



Jos johto vioittuu, katkeaa tai sokeutuu, irrota se heti pistokkeesta ennen sen huoltoa.



Varo sinkoutuneita ja muita lentäviä esineitä. Pidä kaikki sivulliset vähintään 15 metrin päässä toiminta-alueelta – erityisesti lapset ja lemmikit.



Pidä jalat ja kädet kaukana pyörivistä piikeistä.



Pidä sähköjohto kaukana piikeistä.



Käytöstä poistettavia sähkölaitteita ei pidä hävittää talousjätteiden mukana. Ne on mahdollisuuksien mukaan pantava kiertoon. Kierrätysohjeita antavat kunnan viranomaiset ja vähittäiskauppiat.



Tämä työkalu on sen EU-maan kaikkien sääntömääräisten standardien mukainen, josta se on ostettu.



EurAsian-vaatimusten mukaisuusmerkki.



Taattu äänenteho on 93 dB.

Seuraavien merkien tarkoitus on selittää, miten vakava riski tuotteeseen liittyy.

⚠ VAARA

Ilmaisee välitöntä vaaratilannetta, joka ellei sitä vältetä, johtaa kuolemaan tai vakavaan loukkaantumiseen.

⚠ VAROITUS

Ilmaisee potentiaalisen vaaratilanteen, joka ellei sitä vältetä, johtaa kuolemaan tai vakavaan loukkaantumiseen.

⚠ HUOMAUTUS

Ilmaisee potentiaalisen vaaratilanteen, joka ellei sitä vältetä, saattaa johtaa pienempään tai keskivaikeaan loukkaantumiseen.

HUOMAUTUS

Ilman turvallisuusvaroitusymbolia ilmoittaa tilanteesta, jossa omaisuutta saattaa vaurioitua.

TÄMÄN KÄSIKIRJAN SYMBOLIT



Kytke pistorasiaan



Irrota pistorasiasta



Osat ja lisävarusteet on hankittava erikseen



HUOMAUTUS:



VAROITUS

TILTENKT BRUK

Sikkerhet, ytelse og pålitelighet er gitt førsteprioritet ved konstruksjonen av din elektriske jordfreser.

Produktet er kun ment for bruk utendørs av en operatør som går bak produktet. Av sikkerhetsmessige årsaker må produktet holdes under kontroll ved alltid å holde det med to hender.

Produktet er konstruert for fresing eller løsning av jord i et åpent privat haveområde. Maksimum arbeidsdybde for produktet er 19.5 cm.

Produktet må aldri brukes med hjulene hevet fra bakken. Det må aldri rides på. Produktet må bare brukes som beskrevet i denne manualen, og må aldri brukes i noen annen hensikt.

GENERELLE SIKKERHETSADVARSLER

⚠ ADVARSEL

Når produktet brukes må sikkerhetsreglene følges. Les disse instruksjonene før du tar i bruk produktet for din egen sikkerhet og sikkerheten til personer som befinner seg i nærheten. Ta godt vare på instruksjonene for framtidig referanse!

⚠ ADVARSEL

Dette produktet er ikke ment å bli brukt av barn eller personer med nedsatte fysiske, mentale eller sensoriske evner. Barn må ha riktig tilsyn for å sikre at de ikke leker med produktet.

⚠ ADVARSEL

Noen regioner har bestemmelser som begrenser bruk av dette produktet. Spør de lokale myndigheter for råd.

OPPLÆRING

- Ikke tillat at barn eller personer som ikke er kjent med brukermanualen bruke produktet. Lokale forskrifter kan begrense en alder av operatøren.
- Les instruksjonsmanualen nøye. Gjør deg kjent med alle kontrollene og korrekt bruk av produktet.
- Hold tilskuere, barn og kjæledyr 15 m unna

arbeidsområde. Stopp produktet når noen kommer inn på området hvor produktet brukes.

- Ikke bruk utstyret når du er sliten, syk eller under påvirkning av alkohol, narkotika eller medisiner som kan påvirke reaksjonsevne og dømmekraft.
- Husk at operatøren eller brukeren er ansvarlig for uhell og farer som andre personer og deres eiendom får påført.

ELEKTRISK SIKKERHET

- Strømpluggene må passe til kontaktene. Foreta aldri noen form for endringer av støpslet. Ikke bruk noen form for adapterstøpsel til jordet elektrisk verktøy. Umodifiserte støpsler og passende stikkontakter vil redusere risikoen for elektrisk støt.
- Unngå kroppskontakt med jordede overflater, som vannrør, radiatorer, kokeapparater og kjøleaggregater. Det er økt risiko for elektrisk støt dersom kroppen din har kontakt med jord.
- Ikke bruk produktet dersom det er fare for lynnedslag.
- Ikke utsett produktet for regn eller høy fuktighet. Vann som trenger inn i apparatet vil øke risikoen for elektrisk støt.
- Utstyret må få strøm fra en elektrisk kurs med jordfeilbryter som ikke overstiger 30 mA.
- Før hver bruk skal strømledningen sjekkes for skader. Hvis det er tegn til skade må ledningen erstattes av en kvalifisert person ved et autorisert servicesenter for å unngå fare. Rull alltid ut ledningen under bruk for sammenrullede ledninger kan bli overopphetet.
- Hvis du trenger å bruke en skjøteledning må du påse at kabelen egner seg for utendørs bruk og at kapasiteten tilfredsstiller produktets behov. Skjøteledningen må være merket med enten "H05 RN-F" eller "H05 VV-F". Sjekk for skader før hver bruk. Rull alltid ut ledningen under bruk for sammenrullede ledninger kan bli overopphetet. Skader på skjøteledninger må ikke repareres med skiftes ut med tilsvarende type ledning.
- Ikke bruk produktet dersom den elektriske kabelen er slitt eller skadet.

- Hvis den elektriske ledningen blir skadet under bruk må støpslet umiddelbart trekkes ut av den elektriske kontakten. Ikke berør den elektriske kabelen før støpslet er trukket ut av den elektriske kontakten.
- Påse at strømledningen er plassert slik at den ikke vil bli skadet av tindene eller trått på, snublet i eller på annen måte komme til skade eller bli belastet.
- Ikke trekk i ledningen for å frigjøre støpslet fra stikkkontakten.
- Hold ledningen vekke fra varme, olje og skarpe kanter.
- Påse at spenningen stemmer med det som angis for produktet. En navneplate på produktet viser produktets spenning. Tilkoble aldri utstyret til en elektrisk kontakt med en spenning som skiller seg fra produktets.

KLARGJØRING

- Ha på deg passende vernebriller og hørselvern når du bruker produktet.
- Hørselvern kan begrense operatørens evne til å høre varsellyder, vær spesielt oppmerksom på potensielle farer rund og på innsiden av arbeidsområde.
- Bruk tykke langbukser, støvler og hansker. Ikke bruk løstsittende klær, kortbukser eller smykker av noe slag. Ikke bruk produktet uten sko eller med åpne sandaler.
- Sørg for at langt hår ikke når lenger ned en til skuldrene for å hindre at det kan fanges opp av roterende deler.
- Før bruk og etter hvert slag, sjekk for skadede deler. En ødelagt bryter eller deler som er skadet eller slitt må repareres forsvarlig eller skiftes ut av et autorisert servicesenter for å unngå risiko for skader.
- Ikke bruk produktet dersom ikke alle vern, avvisere og håndtak er på plass og forsvarlig festet.
- Sjekk fresertindene før hver gangs bruk. Erstatt tindehøter med nye når det er behov. Slitte tinner kan bidra til dårlige ytelser og overbelastning av motoren.
- Vurder miljøet der du arbeider. Hold arbeidsområdet fritt for ståltråd, pinner, steiner og annet avfall som kan treffes av tindene og bli kastet ut.

SIKKERHETSADVARSLER FOR

- Bruk ansiktsmaske med filter ved arbeid i støvete miljøer for å redusere risikoen for skader som følge av innånding av støv.
- Arbeid langs en skråning, aldri opp og ned. Vær meget forsiktig når du skifter retning i en skråning.
- Utvis ekstrem forsiktighet når du rygger eller trekker produktet mot deg.
- Løft aldri opp eller bær produktet mens motoren går.
- Ikke bruk produktet i nærheten av nedgravde elektriske kabler, telefonledninger, rør eller slanger.
- Bruk klipperen i dagslys eller i godt kunnslys.
- Stå støtt og vær til enhver tid i balanse.
- Ikke gå baklengs når du bruker produktet.
- Gå, løp aldri med maskinen.
- Ikke bruk produktet nær terrengfall, grøfter, meget bratte skråninger eller fyllinger. Dårlig fotfeste kan føre til at du sklir og faller.
- Utvis ekstrem forsiktighet når det arbeides med vanskelig jord. Hvis jorden er svært hard bør den behandles med vann i noen dager før bearbeidingen begynner.
- Unngå å arbeide med jord som er våt eller gjennombløt. Vent en dag eller to etter kraftig regnvær for å gi jorden tid til å tørke opp.
- Hold til enhver tid hender og føtter vekke fra tindene, spesielt når motoren startes.
- Vær oppmerksom på gjenstander som kan kastes av roterende tinner. Fjern avfall som småstein, grus og andre fremmedlegemer fra arbeidsområde før du begynner med jobben. Ståltråd, tau og hyssing kan bli fanget opp av roterende tinner.
- Tindene fortsetter å rotere etter at motoren er slått av.
- Slå av, trekk ut den elektriske kontakten og vent til alle bevegelige deler har stanset før:
 - det utføres servicearbeid
 - etterlater produktet uten tilsyn
 - rens produktet eller rens en blokkering
 - skifte av tilbehør
 - se etter skader dersom verktøyet har

EN
FR
DE
ES
IT
NL
PT
DA
SV
FI
NO
RU
PL
CS
HU
RO
LV
LT
ET
HR
SL
SK
BG

truffet en gjenstand

- se etter skader dersom produktet begynner å vibrere kraftig
- gjennomfører vedlikehold
- Sørg alltid for at avfall ikke tetter ventilasjonspaltene.
- Påse at alt beskyttende utstyr er montert og er i god stand.
- Ikke modifier produktet på noen måte idet dette kan øke risikoen for skade på deg selv eller andre.

▲ FORSIKTIGHETSREGEL

Produktet kan hoppe opp og/eller bykse framover dersom tindene treffer hardpakket eller frossen jord eller gjenstander som store stener, røtter og biter av grener.

▲ FORSIKTIGHETSREGEL

Før produktet flyttes fra ett område til et annet må motoren slås av og det må ventes til alle tinder har stoppet helt. Sørg for at tindene ikke får kontakt med underlaget mens produktet flyttes. Tindene og selve produktet kan bli påført skade selv om motoren er slått av.

BRUKERTIPS

- For å redusere risikoen for skade fra kontakt med bevegelige deler eller gjenstander som kastes ut må operatøren stå bak styrehåndtakene. Stå aldri på siden av eller foran styrehåndtakene mens produktet arbeider.
- Bruk alltid øyebeskyttelse. Bruk alltid vernesko med glisikker såle når du bruker produktet.
- Mens produktet vil kutte og bidra til å fjerne bakkenær vegetasjon og røtter vil tindene kunne bli viklet inn i kraftig vegetasjon og stubber over bakkenivå. Rengjør området som skal kultiveres med en krattkutter eller tilsvarende verktøy og klargjør bakken ved å fjerne avfall som stein, murstein og metallstenger fra overflaten.
- Hold hender og føtter vekke fra tindene, start motoren med tindene svakt hevet over bakken ved å trykke inn bryterlåsen fulgt av på/av-bryteren. Mens du holder et fast grep i styrehåndtakene senkes tindene ned på

bakken. Produktet vil kunne gjøre forsøk på å trekke seg selv framover avhengig av hardheten på jorden som skal bearbeides. Sørg for at denne bevegelsen hindres slik at tindene kan begynne å grave seg ned i bakken. Hvis produktet ikke begynner å frese opp jorden kan du hjelpe til ved å kjøre produktet framover og bakover (ca 20 cm er tilstrekkelig) eller foreta en svak vuggebevegelse opp og ned slik at tindene får tak i jorden som skal bearbeides og kommer ned til korrekt arbeidsdybde.

- Du kan endre dybden tindene graver seg ned ved å flytte hjulene nærmere eller lenger unna tindene. Så snart tindene er i bakken på ønsket dybde beveg produktet sakte framover mens man lar motoren gjøre arbeidet. Hvis tindene treffer gjenstander som er for harde til å kappe over eller flytte vil produktet kunne heve seg når tindene forsøker å passere hindringen. Stopp produktet og la tindene stoppe helt før du gjør forsøk på å fjerne hindringen.
- Hvis bakken som skal kultiveres er hard eller tørr er det en fordel å vanne, men ikke la jorden bli gjennomvåt, og gi vannet tid til å trenge ned i bakken og at overflødig vann renner vekk før det gjøres forsøk på å frese opp jorden.

TRANSPORT OG LAGRING

- Ved lagring må støpslet alltid trekkes ut av kontakten og ledningen kveiles opp.
- Slå av produktet og la det kjøles ned før lagring eller transport.
- Fjern alle fremmedelementer fra produktet. Lagres på et kjølig, tørt og godt ventilert sted som er utilgjengelig for barn. Hold den borte fra korrosive materialer, så som ugressmidler og veisalt. Ikke oppbevar utendørs.
- Tørk tindene med olje eller spray med silikonsmøring for å hindre rustdannelse. Se opp for skadede eller skarpe kanter på tindene.
- Smør alle synlige bevegelige deler. Ikke fjern motordekslet.
- Ved transport må produktet sikres mot å komme i bevegelse eller falle for å unngå skade på personer, ting eller på produktet.
- Ikke bær maskinen i skjoldet. Produktet må

kun bæres i styrehåndtaket eller det fremre håndtaket.

VEDLIKEHOLD

⚠ ADVARSEL

Bruk kun produsentens originale reservedeler, tilleggsutstyr og påsatser. Dersom dette ikke følges, kan det forårsake personskader, dårlig funksjon og kan annullere garantien din.

⚠ ADVARSEL

Før du inspiserer, rengjør eller foretar arbeider på produktet må det elektriske støpslet trekkes ut av stikkkontakten og alle bevegelige deler ha stanset. Hvis disse forskriftene ikke overholdes, kan det medføre alvorlige skader og betydelige materielle skader.

Unngå bruk av løsemidler når du rengjør plastdelene. De fleste plastikkstoffene vil bli skadet dersom forskjellige tilgjengelige løsemiddel brukes på gressklipperen. Bruk rene kluter til å fjerne skitt, støv, olje og fett, etc.

⚠ ADVARSEL

Ikke på noe tidspunkt må du la bremsevæske, bensin, petroleumsbaserte produkter, rustopløsende oljer og lignende komme i kontakt med plastdelene. Slike kjemiske produkter inneholder stoffer som kan skade, svekke eller ødelegge plasten.

⚠ ADVARSEL

Tindene er skarpe. Vis varsomhet og bruk tykke arbeidshansker når du monterer, skifter, rengjør og sjekker innfestingen av tindene.

- Etter hver gangs bruk må produktet rengjøres med en myk og tørr klut; fjern urenheter fra tindene med en stiv børste.
- Kontroller all mutter, bolter og skruer med jevne mellomrom at de er skrudd fast for å sikre at produktet er i driftssikker stand.
- Bare deler som finnes på delelisten er ment reparert eller skiftet av eieren. Alle andre deler må skiftes av et autorisert

servicesenter.

GJENVÆRENDE RISIKO

Selv om utstyret brukes som beskrevet er det ikke mulig å unngå enhver gjenværende risiko. Følgende faresituasjoner kan oppstå ved bruk, og operatøren må legge spesielt vekt på å unngå følgende:

- Kontakt med tindene.
- Personskade på grunn av vibrasjon. Hold produktet i angitte håndtak og begrens arbeidstid og eksponering.
- Eksponering for støv kan føre til hørselskader. Bruk hørselvern og begrens eksponeringen.
- Øyeskader som følge av flygende gjenstander. Bruk til enhver tid øyebeskyttelse.

FAREREDUKSJON

Det foreligger rapporter om at vibrasjoner fra håndholdt verktøy for enkelte personer kan bidra til en tilstand som kalles Raynauds Syndrome. Symptomene kan omfatte følelseløshet og gjøre fingrene bleke, vanligvis synlig ved eksponering til lave temperaturer. Arvelige faktorer, eksponering mot lave temperaturer og fuktighet, diett, røyking og arbeidspraksis blir alle ansett for å kunne bidra til å utvikle disse symptomene. Brukeren kan iverksette tiltak for mulig å redusere virkningene av vibrasjonene:

- Hold kroppen din varm i kaldt vær. Bruk hansker og hold hender og håndledd varme ved bruk av produktet. Det er rapportert at kaldt vær er en viktig faktor som bidrar til Raynauds Syndrome.
- Etter hver arbeidsperiode bør det utføres øvelser for å øke blodsirkulasjonen.
- Ta ofte pauser fra arbeidet som utføres. Begrens mengden av eksponering pr. dag.

Hvis du opplever noen av symptomene på denne tilstanden må du øyeblikkelig avbryte arbeidet og oppsøke en lege med disse symptomene.

⚠ ADVARSEL

Hvis man bruker verktøyet for lenge av gangen, kan det føre til eller forverre allerede eksisterende personskade. Når du bruker et verktøy over en lenger tidsperiode, husk å ta regelmessige pauser.

KJENN PRODUKTET DITT

Se side 137.

1. Håndtak
2. Av/PÅ-bryter
3. På/Av-bryterlås
4. Elektrisk ledning
5. Motor kontrollkabel
6. Spole for elektrisk kabel
7. Holder for kabel for motorstyring
8. Fremre håndtak
9. Indre tinder
10. Ytre tinder
11. Hjul
12. Trekkstang
13. Håndtakknott

SYMBOLER PÅ PRODUKTET



Les og forstå alle instruksjoner før du tar i bruk produktet, følg alle advarsler og sikkerhetsanvisninger.



Bruk hørselsvern



Bruk øyebeskyttelse



Fjern øyeblikkelig støpslet fra stikkkontakten dersom ledningen skades eller kappes av.



Vær oppmerksom på utkastede eller flygende gjenstander. Hold tilskuere, spesielt barn og dyr, på god avstand, det vil si minst 15 meter fra arbeidsområdet



Hold føtter og hender vekk fra roterende tinder



Hold strømledningen vekk fra fresetindene.



Avfall fra elektriske produkter skal ikke kastes sammen med husholdningsavfall. Vennligst resirkulervedeksisterende avfallsbehandlingssted. Undersøk hos dine lokale myndigheter eller forhandler for råd om resirkulering.



Dette verktøyet overholder samtlige standarder i det EU-landet det er kjøpt i.



EurAsian Konformitetstegn.



Garantert lydeffektnivå er 93 dB.

Følgende signalord og meninger har til hensikt å forklare graden av risiko forbundet med bruken av dette produktet.

⚠ FARE

Indikerer en øyeblikkelig farlig situasjon, som, hvis ikke unngås, kan resultere i død eller alvorlig personskade.

⚠ ADVARSEL

Indikerer en potensiell farlig situasjon, som, hvis ikke unngås, kan resultere i død eller alvorlig personskade.

⚠ FORSIKTIGHETSREGEL

Indikerer en potensiell farlig situasjon, som, hvis ikke unngås, kan resultere i mindre eller moderat personskade.

FORSIKTIGHETSREGEL

Uten sikkerhetsvarselsymbol

Indikerer en situasjon som kan føre til skade på eiendom.

SYMBOLER I DENNE MANUALEN



Tilkoble til strømkontakten



Ta ut av strømkontakten



Deler eller tilbehør solgt separat



MERK:



ADVARSEL

- EN
- FR
- DE
- ES
- IT
- NL
- PT
- DA
- SV
- FI
- NO**
- RU
- PL
- CS
- HU
- RO
- LV
- LT
- ET
- HR
- SL
- SK
- BG

НАЗНАЧЕНИЕ

При разработке этого электрического культиватора особое внимание уделялось безопасности, производительности и надежности.

Изделие предназначено только для использования на открытом воздухе, при этом оператор должен перемещаться с изделием, ходя по земле. Из соображений безопасности всегда необходимо эксплуатировать инструмент, управляя им двумя руками.

Изделие предназначено для культивации или рыхления почвы на открытом приусадебном участке. Максимальная рабочая глубина изделия 19,5 см.

Во время эксплуатации изделия запрещается поднимать его над землей. Запрещается ездить на нем. Используйте данное устройство только по его прямому назначению в соответствии с данным руководством.

ОБЩИЕ ПРАВИЛА БЕЗОПАСНОСТИ

⚠ ОСТОРОЖНО

При использовании устройства необходимо соблюдать правила техники безопасности. В целях собственной безопасности и безопасности наблюдающих лиц перед использованием устройства прочитайте приведенные в данном руководстве инструкции. Сохраняйте эту инструкцию для дальнейшего использования.

⚠ ОСТОРОЖНО

Данное устройство не предназначено для использования детьми или лицами с ограниченными физическими, психическими или сенсорными возможностями. Не допускайте того, чтобы дети играли с этим устройством.

⚠ ОСТОРОЖНО

В некоторых регионах существуют правила, ограничивающие использование этого продукта. Проконсультируйтесь с местными органами власти.

ОБУЧЕНИЕ

- Никогда не позволяйте детям или людям, незнакомым с этими инструкциями, использовать данное изделие. Местные инструкции могут ограничить возраст оператора.
- Внимательно прочтите данные инструкции. Ознакомьтесь с элементами управления и правилами эксплуатации изделия.
- Не допускайте прохожих, детей и домашних животных ближе чем на 15 м от рабочей зоны. Остановите устройство, если кто-то войдет в рабочую зону.
- Не работайте с изделием, если вы утомлены, больны, находитесь в состоянии алкогольного, наркотического опьянения или под воздействием лекарственных средств.
- Иметь в виду, что оператор или пользователь ответственны за несчастные случаи или опасности, встречающиеся другим людям или их собственности.

ЭЛЕКТРОБЕЗОПАСНОСТЬ

- Вилка должна соответствовать розетке. Не подвергайте вилку кабеля каким-либо изменениям. Не используйте какие-либо переходники с электроинструментами с заземляющим проводом. Использование оригинальных штепсельных вилок и соответствующих розеток предотвращает опасность поражения электрическим током.
- Не допускайте контакта частей тела с поверхностями заземленных предметов, таких как трубы, радиаторы отопления, кухонные плиты, холодильники. При соприкосновении частей тела человека с заземленными участками возрастает опасность поражения электрическим током.
- Не используйте устройство, если может начаться гроза.
- Не допускайте попадания влаги на изделие и не используйте его во влажной атмосфере. Попадание влаги в устройство может привести к выходу его из строя или поражению электрическим током.
- Электропитание на устройство должно

подаваться через устройство защитного отключения (RCD) с силой тока размыкания не более 30 мА.

- Перед каждым использованием проверьте шнур питания на наличие повреждений. Если имеются признаки повреждения шнура питания, то во избежание опасности он должен быть заменен квалифицированным специалистом в авторизованном сервисном центре. Всегда разматывайте шнур питания во время эксплуатации устройства, гибкие кабели могут перегреваться.
- Если необходимо использовать удлинительный шнур, убедитесь, что он подходит для использования вне помещений, и допустимый ток достаточен для питания изделия. Удлинительный шнур должен быть маркирован «H05 RN-F» или «H05 VV-F». Проверяйте это перед каждым использованием на предмет повреждений. Всегда разматывайте его во время эксплуатации устройства, потому что спиральные шнуры могут перегреваться. Поврежденные удлинители не подлежат ремонту, их следует заменять аналогичным устройством.
- Не используйте изделие, если его электрический кабель поврежден или износился.
- Если во время использования произошло повреждение кабеля питания или удлинительного кабеля, незамедлительно отсоедините его от сети питания. Не прикасайтесь к электрическому кабелю, пока он не будет отключен от источника питания.
- Убедитесь, что шнур питания расположен так, что невозможно на него наступить, споткнуться об него, повредить культиваторной лапой или каким-либо иным способом.
- Запрещается тянуть за кабель питания, чтобы отключить его от сети.
- Не раскладываете кабель питания вблизи источников тепла, емкостей с маслом и острых предметов.
- Убедитесь, что напряжение является правильным для вашего изделия. В паспортной табличке изделия

указано его номинальное напряжение. Запрещается подключать устройство к сети переменного тока, напряжение которой отличается от указанного.

ПОДГОТОВКА

- Используйте надежные приспособления для защиты глаз и органов слуха при работе с продуктом.
- Средства защиты органов слуха могут ограничить операторам способность слышать предупреждающие сигналы или обратить особое внимание на потенциальные опасности вокруг и внутри рабочей зоны.
- Работайте в прочных длинных брюках, специальной нескользкой обуви и перчатках. Не допускается ношение слишком свободной одежды, коротких брюк, ювелирных изделий. Запрещается эксплуатировать изделие без обуви или в открытых сандалиях.
- Соберите длинные волосы выше плеч, чтобы предотвратить их попадание в движущиеся части.
- Перед использованием устройства или после него убедитесь, что в нем нет поврежденных деталей. Неисправный выключатель или любые иные поврежденные детали должны быть надлежащим образом отремонтированы или заменены в авторизованном сервисном центре во избежание опасности.
- Никогда не эксплуатируйте изделие, если все защитные приспособления, отражатели и ручки не будут правильно и надежно закреплены.
- Проверяйте культиваторные лапы перед каждым использованием. Замените культиваторные лапы новыми при необходимости. Изношенные лапы приводят к снижению производительности и перегрузки двигателя.
- Проверьте рабочую зону. Уберите из этой зоны провода, палки, камни и мусор, которые могут быть отброшены при попадании в культиваторные лапы.

ПРЕДОСТЕРЕЖЕНИЯ ОТНОСИТЕЛЬНО БЕЗОПАСНОГО ПОЛЬЗОВАНИЯ КУЛЬТИВАТОРОМ

- Носите респиратор в пыльных условиях, чтобы уменьшить риск получения травмы, связанный с вдыханием пыли.
- Двигайтесь с изделием поперек поверхности склонов, но не вверх и не вниз. Осуществлять чрезвычайное предостережение при изменении направления на склонах.
- Будьте предельно осторожны при движении назад или подтягивании изделия к себе.
- Не поднимайте и не несите изделие с работающим двигателем.
- Не используйте изделие вблизи подземных электрических кабелей, телефонных линий, труб или шлангов.
- Эксплуатируйте изделие только при дневном свете или хорошем искусственном освещении.
- Сохраняйте устойчивое положение, особенно на склонах.
- Запрещается пятиться при эксплуатации продукта.
- Эксплуатируя устройство, всегда ходите спокойно.
- Не используйте устройство вблизи обрывов, рвов, очень крутых склонов или насыпей. Бедная опора может причинять несчастный случай промаха и падения.
- Проявляйте крайнюю осторожность при работе на плотной почве. Если почва очень твердая, полейте ее за нескольких дней до культивации.
- Не занимайтесь обработкой влажной почвы. Подождите день или два после сильного дождя, чтобы земля высохла.
- Не допускайте попадания рук и ног в зону работы культиваторных лап, особенно при запуске двигателя.
- Остерегайтесь предметов, отбрасываемых вращающимися лапами. Удалите мусор, такой как мелкие камни, гравий и другие посторонние предметы, из рабочей зоны до начала работы. Провода или шнуры могут запутаться во вращающихся культиваторных лапах.

- Учитывайте, что культиваторные лапы продолжают вращаться после выключения двигателя.
- Выключите изделие, отсоедините его от источника электропитания и дождитесь остановки всех движущихся деталей, перед выполнением следующих операций:
 - обслуживание
 - Оставление изделия без присмотра
 - очистка продукта или устранение забивания
 - Замена принадлежностей
 - Проверка на наличие повреждений после столкновения с предметами
 - Проверка на наличие повреждений, если изделие начнет необычно вибрировать
 - Выполнение технического обслуживания
- Всегда проверяйте устройство на отсутствие грязи в вентиляционных отверстиях.
- Убедитесь, что все защитные устройства установлены и исправны.
- Запрещается каким-либо образом изменять изделие, так как это может привести к травмам оператора или окружающих лиц.

⚠ ПРЕДОСТЕРЕЖЕНИЕ

Изделие может подпрыгнуть вверх и/или дернуться вперед, если культиваторные лапы ударят по очень твердой уплотненной почве, мерзлому грунту или таким предметам, как большие камни, корни и пни.

⚠ ПРЕДОСТЕРЕЖЕНИЕ

Прежде чем переместить изделие с одного места на другое, выключите двигатель и дождитесь полной остановки культиваторных лап. Будьте осторожны и не позволяйте культиваторным лапам касаться земли во время перемещения изделия. Культиваторные лапы, а также само изделие могут быть повреждены, даже если двигатель выключен.

СОВЕТЫ ПО ЭКСПЛУАТАЦИИ

- Чтобы уменьшить риск получения травмы в результате соприкосновения с движущимися частями или отброшенными предметами, оператор должен стоять за рукояткой. Никогда не стойте сбоку или перед рукояткой, когда изделие работает.
- Всегда надевайте средства защиты зрения. Во время эксплуатации изделия всегда носите специальную нескользкую обувь.
- В то время как изделие будет использоваться для отрезания и удаления подземной растительности и корней, культиваторные лапы могут запутаться в густой растительности. Очищайте участок, предназначенный для культивации, кусторезом или иными аналогичными средствами и подготавливайте почву, удаляя с поверхности любой крупный мусор (например, камни, кирпичи и металлические столбы).
- Держите руки и ноги подальше от культиваторных лап, запускайте двигатель, когда культиваторные лапы находятся слегка над поверхностью земли, нажимая блокировочный переключатель, а затем выключатель Вкл./Выкл. Крепко держа рукоятку, опустите культиваторные лапы на землю. В этот момент изделие может податься вперед в зависимости от твердости грунта. Удерживайте изделие от броска вперед, и культиваторные лапы должны начать закапываться в землю. Если этого не произойдет, подвигайте культиватор вперед-назад (достаточно хода около 20 см) или слегка покачайте рукоятку вверх-вниз, чтобы помочь культиваторным лапам погрузиться на свою рабочую глубину.
- Вы можете изменять глубину погружения культиваторных лап в землю, перемещая колеса ближе или дальше от лап. После того как культиваторные лапы погрузятся в землю на требуемую глубину, медленно двигайте изделие вперед, позволяя двигателю выполнять культивацию. Если культиваторные лапы ударятся о какой-то твердый предмет, который

невозможно переместить или разрезать, изделие может подняться во время преодоления препятствия. Остановите изделие и дождитесь полной остановки культиваторных лап перед попыткой найти или удалить препятствие.

- Если обрабатываемый грунт твердый или сухой, рекомендуется полить землю, но не слишком интенсивно, и дайте воде впитаться в почву, прежде чем начать обработку.

ТРАНСПОРТИРОВКА И ХРАНЕНИЕ

- При хранении устройства всегда отключайте его от сети питания и сматывайте его кабель.
- Остановите изделие, дайте ему остыть перед постановкой на хранение или транспортировкой.
- Очистите устройство от всех посторонних материалов. Храните его в прохладном, сухом, хорошо проветриваемом и недоступном для детей месте. Не держите бензопилу рядом с коррозионными веществами, такими как садовые химикаты или размораживающая соль. Не храните на открытом воздухе.
- Протрите культиваторные лапы маслом или нанесите на них силиконовую смазку для предотвращения коррозии. Будьте предельно внимательными с острыми или поврежденными концами лап.
- Смажьте все видимые движущиеся части. Не снимайте крышку двигателя.
- Для транспортировки закрепите устройство так, чтобы оно не могло перемещаться или упасть во избежание травмирования персонала или повреждения устройства.
- Не переносите изделие, держа его за защитные приспособления. Держите или носите изделие только за рукоятку или переднюю ручку.

EN
FR
DE
ES
IT
NL
PT
DA
SV
FI
NO
RU
PL
CS
HU
RO
LV
LT
ET
HR
SL
SK
BG

ТЕХНИЧЕСКОЕ ОБСЛУЖИВАНИЕ

▲ ОСТОРОЖНО

Используйте только оригинальные запчасти, аксессуары и насадки от производителя. Невыполнение этого требования может привести к травме, к снижению производительности и к аннулированию гарантии.

▲ ОСТОРОЖНО

Перед проверкой, чисткой или обслуживанием изделия отсоедините шнур питания и дождитесь остановки всех движущихся частей. Несоблюдение настоящих правил техники безопасности ведет к тяжелым травмам и крупному материальному ущербу.

При очистке пластмассовых деталей не допускается использовать растворители. Большинство пластмасс восприимчиво, чтобы повредиться от различных типов коммерческих растворителей и может быть повреждено их использованием. Для очистки от грязи, пыли, масла, смазки и т.п. используйте протирочную тряпку.

▲ ОСТОРОЖНО

Не допускайте взаимодействия тормозных жидкостей, бензина, нефтепродуктов, пропиточных масел и т.п. с пластмассовыми деталями. Эти химикаты содержат вещества, которые могут испортить, ослабить или разрушить пластмассу.

▲ ОСТОРОЖНО

Культиваторные лапы острые. Будьте предельно осторожны и выполняйте установку, замену, очистку и проверку затяжки болтов в защитных перчатках.

- После каждого использования протирайте корпус и ручки изделия мягкой сухой тканью, а также очищайте культиваторные лапы от грязи жесткой щеткой.
- Проверить все болты, задвижки, и винты, через короткие интервалы, на надлежащую плотность, чтобы

убедиться, что изделие находится в безопасном, рабочем состоянии.

- Только детали, указанные в списке запасных частей, могут быть отремонтированы или заменены покупателем. Все остальные детали должны заменяться авторизованным сервисным центром.

БУДЬТЕ ВСЕГДА ОСТОРОЖНЫ

Даже когда изделие используют согласно инструкциям, невозможно полностью устранить факторы риска. Следующие опасные факторы могут возникнуть в ходе использования, и оператор должен обращать особое внимание, чтобы избежать следующих опасностей:

- Контакт с культиваторными лапами.
- Травмы, вызываемые вибрацией. Держите изделие только за предназначенные для этого ручки и соблюдайте рабочий режим.
- Воздействие шума может привести к повреждению слуха. Носите устройства защиты слуха и ограничивайте продолжительность шумового воздействия.
- Повреждение глаз летящим мусором. Обязательно носите устройства для защиты глаз.

СНИЖЕНИЕ РИСКА

Сообщалось, что вибрация ручных электроинструментов у отдельных лиц может способствовать состоянию, которое называется синдром Рейно. К симптомам могут относиться покалывание, онемение и побеление пальцев (как при переохлаждении). Считают, что наследственные факторы, охлаждение и влажность, диета, курение и практический опыт способствуют развитию этих симптомов. Ниже приводятся меры, которые может принять оператор для снижения воздействия вибрации:

- Одевайтесь теплее в холодную погоду. При эксплуатации изделия носите перчатки, чтобы сохранить руки и запястья в тепле. Считается, что холодная погода является основным фактором, способствующим возникновению болезни Рейно (Raynaud's Syndrome).

- После каждого этапа работы выполните упражнения для усиления кровообращения.
- Чаще делайте перерывы в работе. Сократите длительность ежедневного пребывания на открытом воздухе.

При появлении каких-либо из указанных симптомов сразу же прекратите работу и обратитесь по их поводу к врачу.

⚠ ОСТОРОЖНО

Слишком продолжительное использование инструмента может привести к травме. При использовании инструмента в течение длительного времени делайте регулярные перерывы.

ИЗУЧИТЕ УСТРОЙСТВО

См. стр. 137.

1. Рукоятка
2. Выключатель ВКЛ/ВЫКЛ
3. Выключатель Вкл./Выкл.
4. Кабель питания
5. Управляющий кабель двигателя
6. Держатель шнура питания
7. Держатель кабеля дистанционного управления двигателем
8. Передняя ручка
9. Внутренняя культиваторная лапа
10. Внешняя культиваторная лапа
11. Колеса
12. Стойка регулировки глубины
13. Фиксатор рукоятки

УСЛОВНЫЕ ОБОЗНАЧЕНИЯ НА



Внимательно прочитайте все инструкции перед началом работы с продуктом, соблюдайте все предупреждения и инструкции по безопасности.



Следует надевать средства защиты органов слуха



Используйте средства защиты органов зрения



Извлеките вилку из розетки перед проведением технического обслуживания, или если шнур питания поврежден, порезан или запутан.



Помните об опасности, которую представляют собой отбрасываемые устройством или вылетающие из-под него предметы. Не допускайте приближения посторонних лиц, особенно детей и домашних животных к рабочей зоне ближе чем на 15 м



Держите ноги и руки подальше от вращающихся культиваторных лап



Держите гибкий шнур питания подальше от режущих культиваторных лап.



Отработанная электротехническая продукция должна уничтожаться вместе с бытовыми отходами. Утилизируйте, если имеется специальное техническое оборудование. По вопросам утилизации проконсультируйтесь с местным органом власти или предприятием розничной торговли.



Настоящий инструмент отвечает всем официальным стандартам страны ЕС, в которой он был приобретен.



Знак Евразийского Соответствия



Гарантируемый уровень звуковой мощности составляет 93 дБ.

Следующие сигнальные слова и значения предназначены для того, чтобы объяснить уровень риска, связанного с этим изделием:

⚠ **ОПАСНО**

Указывает неизбежно опасную ситуацию, которая, если не избежать, кончится смертельным или серьезным ущербом.

⚠ ОСТОРОЖНО

Указывает потенциально опасную ситуацию, которая, если не избежать, может кончиться смертельным или серьезным ущербом.

⚠ ПРЕДОСТЕРЕЖЕНИЕ

Указывает потенциально опасную ситуацию, которая, если не избежать, может кончиться малым или уменьшенным ущербом.

ПРЕДОСТЕРЕЖЕНИЕ

Употребляется без предупреждающего знака

Указывает на ситуацию, которая может привести к повреждению имущества.

УСЛОВНЫЕ ОБОЗНАЧЕНИЯ В ДАННОМ РУКОВОДСТВЕ.



Подключение к сетевой розетке



Отсоединение от сетевой розетки



Детали или принадлежности, приобретаемые отдельно



ПРИМЕЧАНИЕ:



ОСТОРОЖНО

PRZEZNACZENIE

W przypadku tego elektrycznego kultywatora zwrócono szczególną uwagę na zapewnienie bezpieczeństwa, wysokiej wydajności oraz niezawodności.

Produkt jest przeznaczony do użytku wyłącznie na zewnątrz pomieszczeń przy obsłudze na stojąco przez idącego operatora. Ze względów bezpieczeństwa produkt musi być odpowiednio kontrolowany – należy przez cały czas trzymać go obiema rękoma.

Produkt jest przeznaczony do kultywacji lub wrzuszania ziemi w ogrodach domowych. Maksymalna głębokość robocza zapewniana przez produkt wynosi 19.5 cm.

Produkt nigdy nie może być używany, gdy koła nie mają kontaktu z ziemią. Nie wolno na nim jeździć. Produkt może być wyłącznie używany zgodnie z opisem zawartym w tym podręczniku i nie wolno używać go do innych celów.

OGÓLNE OSTRZEŻENIA DOTYCZĄCE BEZPIECZEŃSTWA

⚠ OSTRZEŻENIE

Podczas używania tego urządzenia należy przestrzegać odpowiednich zasad bezpieczeństwa. Aby zapewnić bezpieczeństwo sobie i osobom postronnym, przed przystąpieniem do użytkowania urządzenia należy zapoznać się z niniejszą instrukcją. Należy zachować te instrukcje do wykorzystania w przyszłości.

⚠ OSTRZEŻENIE

Produkt ten nie jest przeznaczony do użytkowania przez dzieci lub osoby o ograniczonych zdolnościach fizycznych, umysłowych lub sensorycznych. Należy dopilnować, aby dzieci nie bawiły się produktem.

⚠ OSTRZEŻENIE

W niektórych regionach obowiązują przepisy ograniczające używanie produktu. Informacje na ten temat można uzyskać w lokalnych urzędach.

SZKOLENIE

- Nigdy nie wolno pozwalać obsługiwać tego produktu dzieciom ani osobom nieznającym tych instrukcji. Przepisy lokalne mogą ograniczać dopuszczalny wiek operatora.
- Przeczytać uważnie wszystkie instrukcje. Należy zapoznać się z przyrządami sterowania oraz zasadami prawidłowej obsługi produktu.
- Osoby postronne, dzieci i zwierzęta muszą znajdować się w odległości przynajmniej 15 metrów od miejsca pracy. Jeśli na obszarze znajduje się inna osoba, należy zatrzymać produkt.
- Nigdy nie wolno używać produktu, gdy użytkownik jest zmęczony lub pod wpływem alkoholu, narkotyków lub leków.
- Należy pamiętać, że operator lub użytkownik jest odpowiedzialny za spowodowanie wypadku lub zagrożenia bezpieczeństwa osób i mienia.

ZASADY BEZPIECZEŃSTWA DOTYCZĄCE OBSŁUGI URZĄDZEŃ ELEKTRYCZNYCH

- Wtyczka musi pasować do gniazda elektrycznego. Nie wolno modyfikować wtyczek w żaden sposób. Nie wolno używać żadnych przejściówek do podłączania urządzeń posiadających przewód zasilania z uziemieniem. Stosowanie oryginalnych wtyczek i dopasowanych gniazd sieciowych zmniejsza ryzyko porażenia prądem.
- Unikać kontaktu ciała z powierzchniami uziemionymi lub podłączonymi do bieguna zerowego, np. rury, instalacje grzewcze i chłodnicze. Kontakt ciała z masą lub uziemieniem zwiększa ryzyko porażenia prądem.
- Nie używać produktu, jeśli spodziewane są wyładowania atmosferyczne.
- Nie narażać tego produktu na działanie deszczu lub wody. Woda dostająca się do urządzenia stwarza zagrożenie porażenia prądem.
- Urządzenie powinno być zasilane przez wyłącznik różnicowo-prądowy (RCD), o prądzie zadziałania nie większym niż 30 mA.
- Przed każdym użyciem należy sprawdzić, czy przewód zasilający nie jest uszkodzony. W przypadku stwierdzenia oznak

EN
FR
DE
ES
IT
NL
PT
DA
SV
FI
NO
RU
PL
CS
HU
RO
LV
LT
ET
HR
SK
SL
BG

uszkodzenia należy oddać urządzenie do naprawy wykwalifikowanemu specjalście do autoryzowanego punktu serwisowego, aby uniknąć zagrożenia. Zawsze należy rozwijać zwinięty przewód zasilający podczas użycia, ponieważ zwinięte przewody mogą się przegrzać.

- Jeśli konieczne jest użycie przedłużacza, należy upewnić się, że nadaje się on do stosowania na zewnątrz pomieszczeń oraz że ma parametry (moc podłączonych urządzeń) umożliwiające podłączenie danego produktu. Przedłużacz powinien mieć oznaczenie „H05 RN-F” lub „H05 VV-F”. Sprawdzić przed każdym użyciem, czy nie ma uszkodzeń. Zawsze należy rozwijać go podczas użytkowania, ponieważ zwinięte kable mogą ulec przegrzaniu. Nie wolno naprawiać uszkodzonych przedłużaczy. Należy wymienić je na produkt o takich samych parametrach.
- Nie używać produktu w przypadku uszkodzenia lub zużycia przewodu zasilającego.
- W przypadku, gdy podczas pracy dojdzie do uszkodzenia przewodu zasilającego lub przedłużacza, urządzenie należy niezwłocznie odłączyć od zasilania. Nie dotykać przewodów elektrycznych dopóki urządzenie jest podłączone do zasilania.
- Należy upewnić się, że przewód zasilający jest umieszczony w taki sposób, że nie można go uszkodzić zębami maszyny, nie zostanie nadepnięty, zaczepony lub uszkodzony lub narażony w inny sposób.
- Nie ciągnąć za przewód zasilania w celu wyjęcia wtyczki z gniazda.
- Przewód zasilania trzymać z dala od źródeł ciepła, oleju i ostrych krawędzi.
- Należy upewnić się, że produkt jest zasilany odpowiednim napięciem. Napięcie zasilania tego produktu podano na tabliczce znamionowej. Nie podłączać urządzenia do zasilania prądem AC o napięciu innym niż znamionowe.

PRZYGOTOWANIE

- Należy nosić pełne zabezpieczenie oczu i uszu podczas obsługi produktu.
- Środki ochrony słuchu mogą ograniczyć zdolność operatora do usłyszenia dźwięków ostrzegawczych. W związku z tym należy zachować szczególną

ostrożność na miejscu pracy oraz w jego pobliżu.

- Założyć grube, długie spodnie, antypoślizgowe obuwie ochronne i rękawice. Nie należy nosić luźnego ubrania, krótkich spodenek ani żadnej biżuterii. Nie obsługiwać maszyny na bosą lub w sandałach z odkrytymi palcami.
- Długie włosy należy związać, aby znajdowały się powyżej ramion i aby nie zostały pochwycone przez maszynę.
- Przed użyciem oraz po jakimkolwiek uderzeniu należy sprawdzić, czy żadna część nie jest uszkodzona. Uszkodzony przełącznik lub inna uszkodzona lub zużyta część muszą być odpowiednio naprawione lub wymienione przez autoryzowany punkt serwisowy w celu wyeliminowania zagrożenia.
- Nigdy nie wolno używać produktu, jeśli jakakolwiek osłona, deflektor lub uchwyt nie są prawidłowo i dobrze zamocowane.
- Przed każdym użyciem należy sprawdzić zęby. W razie potrzeby należy wymienić zespoły zębów na nowe. Zużyte zęby wpływają na obniżenie wydajności pracy oraz przeciążenie silnika.
- Należy uwzględnić warunki panujące w miejscu pracy. Na miejscu pracy nie mogą znajdować się druty, przewody, patyki, kamienie ani gruz, ponieważ w przypadku uderzenia przez zęby mogą zostać odrzucone.

KULTYWATOR – OSTRZEŻENIA DOTYCZĄCE BEZPIECZEŃSTWA

- W przypadku dużego zapylenia należy nosić maskę twarzową, aby uniknąć podrażnienia dróg oddechowych.
- Produkt należy prowadzić w poprzek zbocza, a nie pod górę lub z góry. Zachować szczególną ostrożność podczas zmiany kierunku jazdy na pochyłym terenie.
- Należy zachować szczególną ostrożność podczas cofania lub ciągnięcia produktu do siebie.
- Nigdy nie wolno podnosić ani przenosić produktu, gdy silnik pracuje.
- Nie należy używać produktu w pobliżu podziemnych kabli elektrycznych, linii telefonicznych, rur lub węży.
- Produkt należy obsługiwać wyłącznie przy

światle dziennym lub przy odpowiednim sztucznym oświetleniu.

- Zawsze należy dbać o prawidłowe oparcie nóg oraz o zachowanie równowagi, szczególnie na zboczach.
- Podczas używania produktu nie należy chodzić do tyłu.
- Czynności robocze należy wykonywać chodząc, nigdy nie należy biegać.
- Nie używać produktu w pobliżu urwisk, rowów, zbyt stromych zboczy lub nabrzeży. Brak pewnego oparcia dla stóp grozi poślizgiem i upadkiem.
- W przypadku pracy z ciężką ziemią należy zachować szczególną ostrożność. Jeśli ziemia jest bardzo zbita, przed kultywacją należy podlewać ją przez kilka dni.
- Należy unikać obróbki rozmokniętej lub mokrej ziemi. Po ulewnym deszczu należy odczekać jeden lub dwa dni przed rozpoczęciem pracy.
- Nie wolno w żadnym momencie zbliżać rąk ani nóg do obracających się zębów, a szczególnie podczas włączania silnika.
- Należy zwrócić uwagę na objekty odrzucane przez obracające się zęby. Przed rozpoczęciem pracy należy usunąć małe kamienie, gruz oraz inne obce objekty z miejsca pracy. Druty lub sznurki mogą zostać pochwycone przez obracające się zęby.
- Uwaga, zęby nadal obracają się po wyłączeniu silnika.
- Wyłączyć i odłączyć urządzenie od źródła zasilania oraz należy odczekać, aż wszystkie ruchome części całkowicie się zatrzymają.
 - serwisowanie
 - pozostawianie produktu bez nadzoru
 - czyszczenie produktu lub usuwanie zablokowanego obiektu
 - wymiana akcesoriów
 - kontrola uszkodzeń po uderzeniu obiektu
 - kontrola uszkodzeń w przypadku, gdy produkt wpada w nietypowe drgania
 - konserwacja
- Otwory wentylacyjne należy utrzymywać w stanie wolnym od zanieczyszczeń.
- Należy upewnić się, że wszystkie

zabezpieczenia są zamontowane i znajdują się w dobrym stanie.

- Nie należy w żaden sposób modyfikować produktu; może to spowodować większe ryzyko obrażeń ciała operatora lub innych osób.

⚠ UWAGA

Produkt może odskoczyć do przodu oraz/ lub do góry, jeśli zęby uderzą w bardzo twardą bryłę ziemi, zamrzniętą ziemię lub zakopane objekty, takie jak duże kamienie, korzenie lub pnie.

⚠ UWAGA

Przed przeniesieniem produktu z jednego miejsca na drugie należy wyłączyć silnik i odczekać aż zęby zatrzymają się całkowicie. Należy zwrócić uwagę, aby zęby nie dotykały ziemi podczas przenoszenia produktu. Może dojść do uszkodzenia zębów jak również produktu, nawet jeśli silnik jest wyłączony.

WSKAZÓWKI ROBOCZE

- Aby ograniczyć ryzyko urazów ciała na skutek kontaktu z ruchomymi częściami lub odrzucanymi obiektami, operator musi stać za uchwytem. Nigdy nie należy stać z boku lub przed uchwytem podczas pracy produktu.
- Zawsze nosić okulary ochronne. Podczas obsługi produktu zawsze należy nosić antypoślizgowe obuwie robocze.
- Gdy produkt będzie ciął i usuwał podziemne rośliny oraz korzenie, zęby mogą zaplątać się w części roślin znajdujące się nad ziemią. Obszar przeznaczony do kultywacji należy oczyścić podkaszarką lub innym podobnym narzędziem oraz należy przygotować grunt, usuwając duże objekty (np. kamienie, cegły, metalowe słupki).
- Należy uruchomić silnik, zwracając uwagę, aby ręce i nogi znajdowały się z dala od zębów; zęby powinny znajdować się nieco nad powierzchnią ziemi – w tym celu należy nacisnąć blokadę przycisku oraz przycisk wł./wył. Trzymając mocno uchwyt, należy obniżyć zęby na ziemię. W zależności od twardości ziemi produkt może na tym etapie wyrwać się do przodu. Należy

przytrzymać produkt, aby nie wyrwał się do przodu, tak aby zęby zaczęły wkopywać się w ziemię. Jeśli zęby nie wkopują się, należy wykonywać ruchy do przodu i do tyłu (wystarczy 20 cm) lub równomierne ruchy lekko w górę i dół, aby pomóc zębom wkopać się w ziemię.

- Aby zmienić głębokość pracy zębów w gruncie, należy zbliżyć lub oddalić koła od zębów. Gdy zęby znajdują się w ziemi na wymaganej głębokości, należy powoli popchnąć produkt do przodu, pozwalając, aby silnik kontrolował ruch maszyny. Jeśli zęby zbyt mocno uderzają w jakieś obiekty, produkt może unieść się z ziemi, ponieważ zęby będą próbowały ominąć przeszkodę. Należy zatrzymać produkt i odczekać, aż zęby przestaną się poruszać, a następnie sprawdzić lub usunąć przeszkodę.
- Jeśli kultywowana ziemia jest twarda lub sucha, najlepszym rozwiązaniem jest podlanie ziemi; jednak nie należy zmoczyć jej zbyt mocno oraz należy odczekać, aż woda wniknie w ziemię; przed kultywacją należy odprowadzić stojącą wodę.

TRANSPORT I PRZECHOWYWANIE

- Przed odłożeniem urządzenia w miejsce przechowywania, należy je odłączyć od zasilania i zwinać przewód zasilający.
- Przed schowaniem lub transportem produktu należy zatrzymać go i odczekać, aż ostygnie.
- Usunąć z produktu wszelkie zanieczyszczenia. Należy przechowywać urządzenie w chłodnym, suchym i dobrze wentylowanym miejscu, które jest niedostępne dla dzieci. Nie chowajcie jej w pobliżu czynników żrących, takich jak ogrodowe produkty chemiczne czy sole odmrażające. Nie przechowywać na zewnątrz.
- Przetrzyj zęby olejem lub smarem silikonowym w aerozolu, aby zabezpieczyć je przed rdzą. Należy uważać na ostre lub uszkodzone krawędzie zębów.
- Naoliwić wszystkie widoczne ruchome części. Nie zdejmuj osłony silnika.
- W przypadku transportu produktu należy zabezpieczyć go przed przemieszczaniem się lub upadkiem, aby nie dopuścić do obrażeń ciała lub uszkodzenia urządzenia.

- Nie należy przenosić produktu, trzymając za osłonę. Produkt można trzymać lub przenosić, wyłącznie trzymając za uchwyt lub przednią rączkę.

KONSERWACJA

⚠ OSTRZEŻENIE

Należy stosować wyłącznie oryginalne części zamienne, akcesoria oraz przystawki producenta. W przeciwnym razie może dojść do obrażeń ciała, niskiej wydajności oraz do unieważnienia gwarancji.

⚠ OSTRZEŻENIE

Przed sprawdzeniem, czyszczeniem lub serwisowaniem produktu należy odłączyć przewód zasilający i odczekać aż wszystkie ruchome części zatrzymają się. Nie zastosowanie się do tych zaleceń może spowodować ciężkie obrażenia ciała lub duże straty materialne.

Unikać stosowania rozpuszczalników do czyszczenia plastikowych części. Większość plastików jest wrażliwa na rozmaite rozpuszczalniki dostępne w handlu i może ulec uszkodzeniu przez ich stosowanie. Do usuwania brudu, kurzu, oleju, smaru itp. należy używać czystej szmatki.

⚠ OSTRZEŻENIE

Nie wolno dopuścić do kontaktu plastikowych części z płynem hamulcowym, benzyną, produktami ropopochodnymi, olejami penetrującymi itp. Substancje te zawierają produkty chemiczne, które mogłyby uszkodzić, osłabić lub zniszczyć plastik.

⚠ OSTRZEŻENIE

Zęby są ostre. Przy montażu, wymianie, czyszczeniu lub kontroli dokręcenia śrub należy zachować szczególną ostrożność i nosić grube rękawice ochronne.

- Po każdym użyciu należy wyczyścić korpus oraz uchwyty produktu miękką suchą szmatką oraz usunąć zabrudzenia z zębów za pomocą twardej szczotki.
- Systematycznie sprawdzać, czy wszystkie

nakrętki, wkręty i śruby są dobrze dokręcone, aby upewnić się, że produkt jest w bezpiecznym stanie.

- Jedynie części wyszczególnione na liście części zamiennych mogą być naprawiane lub wymieniane przez klienta. Wszystkie pozostałe części muszą być wymieniane w autoryzowanym punkcie serwisowym.

RYZIKO ZWIĄZANE Z UŻYTKOWANIEM:

Nawet jeśli produkt jest używany zgodnie z zaleceniami, nadal nie jest możliwe wyeliminowanie określonych czynników ryzyka. Następujące zagrożenia mogą wystąpić podczas używania urządzenia i operator powinien zwracać szczególną uwagę na poniższe punkty:

- Kontakt z zębami.
- Urazy ciała spowodowane przez wibracje. Należy trzymać produkt za odpowiednie uchwyty oraz stosować się do zaleceń dotyczących czasu pracy i narażenia.
- Narażenie na hałas może spowodować utratę słuchu. Należy nosić środki ochrony uszu oraz ograniczyć poziom narażenia.
- Występuje ryzyko spowodowane odrzucanymi obiektami. Stosować przez cały czas środki ochrony oczu.

OGRANICZENIE RYZYKA

Znane są przypadki wywołania u niektórych osób objawu Raynauda spowodowanego wibracjami produktu. Typowe objawy to mrowienie, drętwienie i blednięcie palców, widoczne zwykle po wystawieniu na działanie zimna. Uważa się, że czynniki dziedziczne, wystawienie na działanie zimna i wilgoci, dieta, palenie papierosów i przyjęte zwyczaje przyczyniają się do rozwoju tych objawów. Istnieją środki zaradcze, które może podjąć operator narzędzia, aby zmniejszyć efekt wibracji:

- Zadbaj w niskich temperaturach o ciepłotę własnego ciała, zakładając odpowiednie ubranie. Podczas obsługi produktu należy nosić rękawice, aby dłonie i nadgarstki były ciepłe. Wiadomo, że niskie temperatury są główną przyczyną powstawania objawu Raynauda.
- Podczas przerw w pracy należy wykonywać ćwiczenia poprawiające krążenie krwi..
- Podczas pracy robić częste przerwy.

Ograniczyć ekspozycję w ciągu dnia.

W razie doświadczenia dowolnego z wymienionych objawów, należy niezwłocznie zaprzestać użytkowania tego urządzenia i skontaktować się z lekarzem.

⚠ OSTRZEŻENIE

Długotrwałe użytkowanie narzędzia może spowodować obrażenia ciała lub nasilić dolegliwości zdrowotne. W przypadku używania narzędzia przed dłuższy czas należy pamiętać o regularnych przerwach.

ZAPOZNAJ SIĘ ZE SWOIM PRODUKTEM

Patrz str. 137.

1. Rękojeść
2. Wylłącznik WŁĄCZENIE/WYŁĄCZENIE
3. Blokada przełącznika wł./wył.
4. Przewód zasilania
5. Kabel sterujący silnika
6. Zaczep przewodu zasilającego
7. Uchwyt kabla sterującego silnika
8. Przedni uchwyt
9. Ząb wewnętrzny
10. Ząb zewnętrzny
11. Koło
12. Kołek ciągu
13. Pokrętko uchwytu

SYMBOLE PRODUKTU



Należy przeczytać i zrozumieć wszystkie instrukcje przed rozpoczęciem obsługi produktu oraz przestrzegać wszystkich ostrzeżeń i instrukcji dotyczących bezpieczeństwa.



Nosić środki ochrony słuchu



Zakładać środki ochrony wzroku



Przed rozpoczęciem czynności konserwacyjnych lub jeśli przewód jest uszkodzony, przecięty lub splątany, należy odłączyć wtyczkę od źródła zasilania.

EN
FR
DE
ES
IT
NL
PT
DA
SV
FI
NO
RU
PL
CS
HU
RO
LV
LT
ET
HR
SL
SK
BG



Uwaga na odrzucone przedmioty. Wszystkie osoby postronne, a szczególnie dzieci i zwierzęta, muszą znajdować się w odległości przynajmniej 15 metrów od miejsca pracy.



Nie zbliżać rąk ani nóg do obracających się zębów



Elastyczny przewód zasilający musi znajdować się w bezpiecznej odległości od zębów.



Zużyte produkty elektryczne nie powinny być utylizowane z odpadami domowymi. Prosimy poddawać recyklingowi w odpowiednich miejscach. Informacje o właściwych metodach recyklingu można uzyskać u władz lokalnych lub sprzedawcy.



Narzędzie to spełnia wymogi wszystkich norm reglamentacji kraju UE, w którym było ono zakupione.



Znak zgodności EurAsian



Maksymalny poziom natężenia hałasu wynosi 93 dB.

Następujące wyrażenia i znaczenia wyrażają poziom zagrożenia związanego z tym produktem:

⚠ NIEBEZPIECZEŃSTWO

Wskazuje na realne zagrożenie, które może spowodować śmierć lub poważne zranienie, jeżeli się nie uniknie tego niebezpieczeństwa.

⚠ OSTRZEŻENIE

Wskazuje na potencjalne zagrożenie, które może spowodować śmierć lub poważne zranienie, jeżeli się nie uniknie tego niebezpieczeństwa.

⚠ UWAGA

Wskazuje na potencjalne zagrożenie, które może spowodować mniejsze lub bardziej poważne zranienie, jeżeli się nie uniknie

tego niebezpieczeństwa.

UWAGA

Bez symbolu ostrzeżenia
Sytuacja, która może grozić uszkodzeniem mienia.

SYMBOLE W TYM PODRĘCZNIKU



Podłączyć do gniazda zasilania



Odłączyć z gniazda zasilania



Części lub akcesoria sprzedawane oddzielnie



OBJAŚNIENIE:



OSTRZEŻENIE

ZAMÝŠLENÉ POUŽITÍ

Bezpečnost, výkon a spolehlivost byli hlavní prioritou při návrhu vašeho elektrického kultivátoru.

Tento výrobek je určen pouze pro venkovní používání stojící obsluhou jdoucí s výrobkem. Z bezpečnostních důvodů se musí výrobek vždy řádně obsluhovat oběma rukama.

Výrobek je určen pro kultivaci nebo kypření půdy na venkovní domácí zahradě. Maximální pracovní hloubka výrobku je 19.5 cm.

Výrobek se nesmí provozovat s koly nad zemí. Nemělo by se na něm jezdit. Výrobek by měl být používán pouze, jak je popsáno v této příručce a neměl by se používat pro žádné jiné účely.

VŠEOBECNÁ BEZPEČNOSTNÍ VAROVÁNÍ

⚠ VAROVÁNÍ

Při používání výrobku musí být dodrženy bezpečnostní předpisy. Pro vaši vlastní bezpečnost i bezpečnost kolemjdoucích si přečtěte tento návod k obsluze. Uchovejte si prosím bezpečnostní pokyny pro budoucí použití.

⚠ VAROVÁNÍ

Tento nástroj není určen pro používání osobami, včetně dětí, pokud jsou jejich fyzické, pohybové nebo mentální schopnosti sníženy. Dohlédněte, aby si děti se spotřebičem nehrály.

⚠ VAROVÁNÍ

Místní předpisy mohou omezovat použití výrobku. Ověřte si u svého orgánu místní správy toto nařízení.

ZAŠKOLENÍ

- Nenechteje děti nebo osoby neseznámené s těmito pokyny pracovat s výrobkem. Místní předpisy mohou omezovat dobu obsluhy.
- Návod si pečlivě přečtěte. Seznamte se všemi ovládacími a řádným používáním výrobku.
- Všechny přihlízející, zvláště děti a zvířata

udržujte 15 m mimo pracovní oblasti. Zastavte výrobek, pokud někdo vstoupí do pracovního prostoru výrobku.

- Výrobek nepoužívejte, pokud jste unavení, nemocní nebo pod vlivem drog, alkoholu či léků.
- Uživatel nebo obsluha tohoto zahradnického nástroje je zodpovědná za nehody nebo nebezpečí způsobená na jiné osobě nebo jejich majetku.

ELEKTRICKÁ BEZPEČNOST

- Elektrické zástrčky musí být shodné s elektrickou zásuvkou. Nepokoušejte se zástrčku jakýmkoliv způsobem upravovat. Nepoužívejte žádný adaptér zástrček se zemněným (uzemněným) elektricky poháněným nástrojem. Neupravené zástrčky a shodné zásuvky snižují nebezpečí elektrického úrazu.
- Předcházejte tělesnému kontaktu s uzemněnými nebo zemněnými povrchy, například trubkami, radiátory, sporáky a lednicemi. Je zde zvýšené nebezpečí zásahu elektrickým proudem, pokud je vaše tělo zemněno nebo uzemněno.
- Neprovodujte zařízení, pokud hrozí nebezpečí bouřek a blesků.
- Nevystavujte tento přístroj dešti nebo vlhkým podmínkám. Voda vnikající do zařízení zvyšuje nebezpečí elektrického úrazu.
- Elektrické zařízení musí být napájeno přes proudový chránič s reziduálním proudem nepřesahujícím 30 mA.
- Před každým použitím zkontrolujte napájecí kabel na poškození. Pokud jeví známky poškození, je nutná výměna kvalifikovanou osobou v pověřeném servisním středisku, aby se předešlo nebezpečí. Během používání kabel plně rozviňte, smotaný kabel se může přehřívat.
- Pokud potřebujete použít prodlužovací kabel, ujistěte se, že je vhodný pro venkovní použití a má dostatečnou proudovou kapacitu pro napájení výrobku. Prodlužovací kabel by měl být označen buď „H05 RN-F“ nebo „H05 VV-F“. Před každým použitím vizuálně prohlédněte na poškození. Během používání kabel plně rozviňte, smotaný kabel se může přehřívat. Poškozené napájecí kabely se nesmí opravovat, vždy vyměňte za stejný typ.

- Výrobek nepoužívejte, pokud jsou elektrické kabely poškozené nebo opotřebené.
- Dojde-li během používání k poškození napájecího nebo prodlužovacího kabelu, zařízení odpojte ihned od elektrické sítě. Nedotýkejte se elektrických kabelů, dokud není napájecí kabel odpojen od sítě.
- Ujistěte se, zda je kabel umístěn tak, aby se nepoškodil kypřicími noži, tedy aby se po něm nešlapalo, neklopýtalo se o něj a aby nebyl jiným způsobem vystaven možnému poškození či namáhání.
- Nikdy netahejte za napájecí kabel, chcete-li jej odpojit od elektrické sítě.
- Dávejte pozor, aby se napájecí kabel nedostal do kontaktu s horkem, olejem nebo ostrými hranami.
- Zkontrolujte, zda je napětí napájecí soustavy vhodné pro výrobek. Štítek s názvem výrobku udává pracovní napětí zařízení. Nikdy nepřipojujte produkt ke střídavému napětí, které se liší od tohoto napětí.

PŘÍPRAVA

- Při práci s výrobkem používejte kompletní ochranu zraku a sluchu.
- ochrana sluchu může zabraňovat obsluze slyšet varovné zvuky, buďte tedy opatrní – okolo a v pracovní oblasti jsou možná nebezpečí.
- Noste silné dlouhé kalhoty, neklouzavou obuv a rukavice. Nenoste volný oděv, kraťasy nebo jakékoliv šperky. S výrobkem nepracujte, pokud máte obuty sandály s otevřenou špičkou, nebo pokud jste bosí.
- Dlouhé vlasy si svažte nad rameny, aby se nemohly zaplést do pohyblivých částí.
- Před pracemi s nástrojem a po nárazu zkontrolujte možné poškození dílů. Pokud je spínač nebo nějaká část poškozena či opotřebená, musí se řádně opravit nebo vyměnit pověřeným servisním střediskem za účelem zabránění nebezpečí.
- Nikdy výrobek neprovodíte, dokud nejsou všechny chrániče, vodičí plechy a rukojeti řádně a bezpečně připojeny.
- Před každým používáním zkontrolujte kypřicí nože Vyměňte v případě potřeby sestavy kypřících nožů za nové. Opotřebená kypřicí nože vedou ke snížení výkonu a přetížení motoru.

- Berte ohled na prostředí, ve kterém pracujete. Z pracovní oblasti odstraňujte dráty, kameny a předměty, které po styku s nástrojem mohou být odmrštěny.

KULTIVÁTOR - BEZPEČNOSTNÍ UPOZORNĚNÍ

- V prašných prostředích noste respirátor pro snížení nebezpečí poranění spojených s vdechováním prachu.
- Na strmých svazích používejte výrobek po vrstevnicích, nikdy ve směru nahoru a dolů. Je třeba opatrnosti, když měníte směr na svahu.
- Je třeba velké opatrnosti, když výrobek tlačíte nebo vracíte směrem k sobě.
- Nikdy výrobek nepřevracíte ani nepřenášejte, pokud je motor v chodu.
- Nepoužívejte výrobek v blízkosti mělce uložených elektrických kabelů, telefonních linek, trubek nebo hadic.
- Používejte výrobek pouze ve dne nebo v dobrém umělém osvětlení.
- Udržujte řádné postavení a rovnováhu po celou dobu práce, především na svazích.
- Nechoďte pospět, když výrobek používáte.
- S výrobkem nikdy neběhejte, ale choďte.
- Neseďte v blízkosti srázů, prudkých svahů, příkopů nebo hrází. Nedostatečné postavení může způsobit uklouznutí a pád.
- Dbejte zvýšené opatrnosti při práci v obtížně obdělávatelné půdě. Pokud je půda velmi tvrdá, postříkejte ji vodou několik dní před kultivací.
- Vyhněte se půdě, která je bažinatá nebo mokrá. Počkejte den nebo dva po silném dešti na vysušení zeminy.
- Mějte ruce i nohy vždy mimo rotující kypřicí nože, obzvláště, když zapínáte motor.
- Vyhýbejte se odmršťovaným předmětům kypřicími noži. Odstraňte z pracovní oblasti předměty jako malé kameny, štěrk a další cizí předměty před započetím práce. Do rotujících kypřících nožů se mohou namotat dráty nebo struna.
- Pozor, kypřicí nože rotují i po vypnutí motoru.
- Vypněte a odpojte od elektrické sítě a počkejte, až se všechny pohyblivé části se zastaví před:

- servis
 - ponechání výrobku bez dozoru
 - čištění výrobku nebo odstranění ucpávek
 - výměna příslušenství
 - kontrola případného poškození po nárazu do předmětu
 - kontrola případného poškození, pokud začne výrobek nezvykle vibrovat
 - provádění údržby
- Vždy zajistěte, aby ventilační otvory nebyly ničím zataraseny.
 - Ujistěte se, že jsou všechna ochranná zařízení upevněna a v dobrém stavu.
 - Výrobek nijak neupravujte, může to zvýšit nebezpečí poranění jak sebe samého, tak i ostatních.

▲ VAROVÁNÍ

Uvědomte si, že během používání může výrobek vyskočit nahoru anebo odskočit vpřed, pokud nože zaberou do velmi tvrdé, udusané půdy, zmrznuté zeminy nebo zahrabaných překážek, například velké kameny, kořeny nebo pařezy.

▲ VAROVÁNÍ

Před přemístěním produktu z jedné oblasti do druhé vypněte motor a počkejte, až se kypřicí nože úplně zastaví. Dávejte pozor, aby se kypřicí nůž nedotýkal půdy země při pohybu výrobku. Kypřicí nože i samotný výrobek se mohou poškodit, i když je motor vypnutý.

RADY K PROVOZU

- Chcete-li snížit riziko zranění při styku s pohyblivými částmi, nebo odhazování předmětů, musí obsluha stát za říditky. Nikdy nestůjte stranou nebo před říditky, když je výrobek v provozu.
- Vždy noste ochranu očí. Vždy noste neklouzavou bezpečnostní obuv, když používáte tento výrobek.
- Během řezání a odklízení podzemní vegetace a kořenů se mohou kypřicí nože zamotat do pevné vegetace nebo strniště nad zemí. Vyčistěte oblast, která má být kultivována křovinořezem nebo jiným

obdobným způsobem a připravit půdu tak, že se odstraní větší nečistoty (např. kameny, cihly a kovové tyče) z povrchu.

- Mějte ruce a nohy mimo dosah kypřících nožů, spusťte motor s kypřicími noži lehce nad povrchem terénu a to stisknutím zámků spínače a následně spínačem zapnuto/vypnuto. Když bezpečně držíte říditka, spusťte kypřicí nože na půdu. Výrobek se může v tomto okamžiku pokusit pohnout směrem vpřed v závislosti na tvrdosti půdy. Odolávejte tahu výrobku směřujícího kupředu, kypřicí nože by se měly začít zahrabávat do půdy. Pokud tomu tak není, popojedte vpřed a zpět (cca 20 cm postačí) nebo mírně zahoupejte říditky nahoru a dolů, abyste pomohly kypřicí nože uvést do jejich pracovní hloubky.
- Můžete měnit hloubku kypřících nožů v půdě pohybem kol blíže či dále od kypřících nožů. Jakmile jsou kypřicí nože v půdě v požadované hloubce, pomalu výrobek posouvejte vpřed, nechejte motor dělat práci. Pokud kypřicí nože udeří do nějakého předmětu příliš tvrdého pro pohyb nebo přeřezání, může výrobek zvýšit svou výšku, aby se kypřicí nože dostaly přes překážku. Zastavte výrobek a nechejte kypřicí nože zastavit veškerý pohyb před pokusem o nalezení či odstranění překážky.
- V případě, že je půda určená ke kultivaci tvrdá nebo suchá, je dobré půdu navlhčit, ale ne zcela rozmáčet; dejte čas vodě proniknout do půdy a přebytek nechejte odtéci před pokusem o kultivaci.

TRANSPORT A SKLADOVÁNÍ

- Před uskladněním vždy zařízení odpojte od sítě a kabel sviňte.
- Před skladováním a transportem nechejte výrobek vždy zastavit a vychladnout.
- Odstraňte z výrobku všechny cizí materiál. Ukládejte v chladných, suchých a dobře větraných prostorech, které nejsou přístupné dětem. Nářadí neuskładňujte v blízkosti žiravých látek, jako například v blízkosti zahrádkářských nebo zahradnických chemických přípravků nebo soli na zimní sypaní komunikací. Neskladujte mimo budovu.
- Naneste na kypřicí nože olej nebo je postříkejte silikonovým mazivem, abyste

zabránili rezivění. Dejte si pozor na ostré nebo poškozené hrany na ozubci.

- Namažte olejem všechny viditelné pohyblivé části. Nesundávejte kryt motoru.
- Při transportu výrobku zajistěte proti pohybum nebo pádu, abyste zabránili poranění osob nebo poškození výrobku.
- Výrobek nepřeházejte za kryt. Pouze výrobek držte nebo noste za řídítká nebo přední rukojeť.

ÚDRŽBA

⚠ VAROVÁNÍ

Používejte pouze originální příslušenství, doplňky a náhradní díly výrobce. Zanedbání může zapříčinit možné poranění, slabý výkon a může dojít ke ztrátě záruky.

⚠ VAROVÁNÍ

Před prohlídkou, čištěním nebo údržbou výrobku odpojte napájecí kabel a počkejte, až se všechny pohyblivé díly zastaví. Nedodržení tohoto pokynu může způsobit vážné zranění nebo materiální škody.

Vyhňte se používání rozpouštědel, když čistíte plastové díly. Mnoho plastů je citlivých na poškození různými typy komerčních rozpouštědel a mohou být jimi poškozeny. Používejte čisté utěrky pro odstranění nečistot, prachu, oleje, mastnoty, atd.

⚠ VAROVÁNÍ

Nikdy nenechte přijít brzdové kapaliny, petrolej, výrobky založené na petroleji, pronikavé oleje, atd. do kontaktu s plastovými součástmi. Tyto výrobky obsahují chemikálie, které mohou poškodit, oslabit nebo zničit plastové části, případně snížit jejich životnost.

⚠ VAROVÁNÍ

Kypřicí nože jsou velmi ostré. Buďte velmi opatrní a noste silné rukavice při výměně, čištění, upevňování či kontrole zajištění šroubu.

- Po každém použití očistěte těleso a rukojeť výrobku měkkým a suchým hadříkem a

očistěte zbytky z kypřících nožů tvrdým kartáčem.

- Zkontrolujte všechny šrouby, matice v častých intervalech na řádné utažení, aby se zajistilo, že výrobek bude pracovat v bezpečných pracovních podmínkách.
- Pouze součásti zobrazené na seznamu náhradních součástí jsou určeny k opravě nebo výměně zákazníkem. Všechny ostatní součásti smí vyměnit pověřené servisní středisko.

ZBYTKOVÁ RIZIKA

Dokonce, i když se výrobek provozuje jak je předepsáno, je stále nemožné zcela eliminovat veškeré zbytkové rizikové faktory. Následující nebezpečí mohou nastat při používání; vyhybejte se:

- Kontakt s kypřicími noži.
- Poranění způsobené vibracemi. Držte výrobek za rukojeť určené k držení a práci provádějte po omezenou dobu.
- Vystavování hluku může způsobit poškození sluchu. Noste ochranu sluchu a omezte vystavení.
- Poranění zraku odletujícím materiálem. Vždy noste adekvátní ochranu zraku.

SNÍŽENÍ RIZIKA

Bylo zjištěno, že vibrace z ručních pracovních nástrojů mohou u některých osob přispívat ke stavu tzv. Raynaud's Syndrome (Raynaudovu syndromu). Mezi jeho příznaky patří brnění, necitlivost a zbledení prstů, patrné obvykle po pobytu v chladu. Vědci se domnívají, že k rozvinutí těchto příznaků přispívají dědičné faktory, pobyt v chladu a vlhku, strava, kouření a pracovní návyky. Uživatel může omezit případné působení vibrací použitím vhodných opatření:

- Za chladného počasí se teple oblečte. Při práci s výrobkem si navlékněte rukavice, abyste udrželi ruce a zápěstí v teple. Bylo zjištěno, že chladné počasí je hlavním faktorem přispívajícím k Raynaud's Syndrome (Raynaudovu syndromu).
 - Během práce si v pravidelných intervalech zacvičte, abyste zvýšili krevní oběh.
 - Zařazujte časté pracovní přestávky. Omezte dobu práce za den.
- Jakmile pocítíte některý z výše uvedených

příznaků tohoto syndromu, okamžitě přerušte práci a vyhledejte lékaře.

VAROVÁNÍ

Poranění mohou být způsobena, či zhoršena, prodlouženým používáním nástroje. Když používáte jakýkoliv nástroj delší dobu, dělejte pravidelně přestávky.

POZNEJTE SVŮJ NÁSTROJ

Viz strana 137.

1. Rukojeť
2. Spínač ZAPNUTO/VYPNUTO
3. Zámek spínače On/Off (zapnuto/vypnuto)
4. Napájecí kabel
5. Řídící kabel motoru
6. Úchyt napájecího kabelu
7. Držák řídicího kabelu motoru
8. Přední rukojeť
9. Vnitřní kypřicí nůž
10. Vnější kypřicí nůž
11. Kolo
12. Zásuvný valník
13. Šroub řídítek

SYMBOLY NA VÝROBKU



Řádně si návod přečtěte, porozumějte veškerým pokynům a dodržujte všechny bezpečnostní pokyny a bezpečnostní varování.



Noste ochranu sluchu



Noste ochranu očí



Vydejte ihned zástrčku z elektrické zásuvky, jakmile zjistíte poškození, požezání nebo zamotání.



Dávejte pozor na odmrštěné nebo odletující předměty. Všechny přihlížející, zvláště děti a zvířata udržujte ve vzdálenosti alespoň 15 m od pracovní oblasti.



Udržujte ruce a nohy mimo rotující nože.



Udržujte pružný napájecí kabel mimo oblast kypřicí nože.



Odpad elektrických výrobků se nesmí likvidovat v domovním odpadu. Recyklujte prosím na sběrných místech. Ptejte se u místních úřadů nebo prodejce na postup při recyklaci.



Toto nářadí je v souladu se všemi normami a předpisy platnými v zemi EU, ve které bylo zakoupeno.



Euroasijská značka shody



Zaručená hladina akustického výkonu je 93 dB.

Následující signální slova a významy jsou vhodné pro vysvětlení úrovní nebezpečí spojených s tímto výrobkem.

NEBEZPEČÍ

Označuje bezprostředně rizikovou situaci, které je třeba předejít, jinak bude jejím následkem smrt nebo vážné zranění.

VAROVÁNÍ

Označuje možnou rizikovou situaci, které je třeba předejít, jinak jejím následkem může být smrt nebo vážné zranění.

VAROVÁNÍ

Označuje možnou rizikovou situaci, které je třeba předejít, jinak jejím následkem může být smrt nebo vážné zranění.

VAROVÁNÍ

Bez symbolu bezpečnostní výstrahy
Určuje situaci, která může mít za následek vážné poškození.

SYMBOLY V NÁVODU



Zapojení do elektrické zásuvky



Odpojení od elektrické sítě



Díly nebo příslušenství jsou v
prodeji samostatně



POZNÁMKA:



VAROVÁNÍ

RENDELTETÉSSZERŰ HASZNÁLAT

Az elektromos talajlazító tervezésekor a biztonság, a teljesítmény és a megbízhatóság voltak a legfontosabb szempontok.

A termék csak kültéri, a termékkel együtt mozgó kezelő általi használatra készült. Biztonsági okokból a terméket mindig kétkézes műveletekkel kell irányítani.

A termék a talaj forgatására vagy lazítására szolgál nyílt háztáji kerti területeken. A termék maximális munkamélysége 19.5 cm.

A termék nem működtethető, ha a kerekek nincsenek a talajon. Tilos ráülni. A termék csak a kézikönyvben meghatározott célra használható, és nem használható semmilyen más célra.

ÁLTALÁNOS BIZTONSÁGI FIGYELMEZTETÉSEK

▲ FIGYELMEZTETÉS

A termék használatakor a biztonsági szabályokat be kell tartani. A saját és mások biztonsága érdekében kérjük, olvassa el ezt az útmutatót a termék használatára előtt. Tartsa meg a kézikönyvet, hátha a későbbiekben szüksége lehet rá.

▲ FIGYELMEZTETÉS

Ezt a terméket nem használhatják gyerekek és korlátozott fizikai, érzékelési vagy mentális képességekkel rendelkező személyek. A gyerekekre oda kell figyelni, nehogy játsszanak a termékkel.

▲ FIGYELMEZTETÉS

Egyes régiókban olyan előírások érvényesek, amelyek korlátozzák a termék használatát. További információért forduljon a helyi önkormányzathoz.

GYAKORLÁS

- Ne hagyja, hogy gyerekek vagy a termék használatát nem ismerő felnőttek használják a terméket. A helyi előírások korlátozhatják a kezelő életkorát.
- Figyelmesen olvassa el az utasításokat. Legyen tisztában a termék kezelőszerveivel és a helyes használatával.

- A nézelődőket, gyerekeket és a háziállatokat tartsa 15 m távolságban a munkaterülettől. Állítsa le a terméket, ha bárki belép a területre.
- Soha ne használja a terméket, ha fáradt, beteg, alkohol, tudatmódosítók, illetve gyógyszerek hatása alatt áll.
- Jegyezze meg, hogy a kezelő vagy a felhasználó felelős a más embereknek vagy tulajdonuknak okozott veszélyekért vagy balesetekért.

ELEKTROMOS BIZTONSÁG

- A dugasznak illeszkednie kell az aljzathoz. Semmilyen módon ne módosítsa a dugaszt. A földelt elektromos gépekhez ne használjon adapter dugaszt. A nem módosított és illeszkedő dugasz csökkenti az áramütés kockázatát.
- Kerülje az érintkezést földelt felületekkel, mint például csövekkel, radiátorokkal és hűtőkkel. Megnöveli az áramütés kockázatát, ha a teste földeltté válik.
- Ne használja a terméket, ha villámlás veszélye áll fenn.
- Ne tegye ki a terméket esőnek vagy nedves környezet hatásának. A készülékbe bejutó víz növeli az áramütés kockázatát.
- A készüléket egy 30 mA-nél nem nagyobb kioldóáramú áram-védőkapcsolóval (RCD) kell felszerelni.
- Minden használat előtt sérülés tekintetében vizsgálja át a tápkábelt. Ha sérülés jelei látszanak, a veszély elkerülése érdekében egy képzett szakemberrel vagy hivatalos szervizközpontban kell kicseréltetni. Használatkor mindig tekerje szét a tápkábelt, a feltekert kábelek túlhevülhetnek.
- Ha hosszabbító kábelt kell használnia, ügyeljen arra, hogy az kültéri használatra alkalmas és a termék meghajtásához elégséges teljesítményű legyen. A hosszabbító kábelnek „H05 RN-F” vagy „H05 VV-F” jelöléssel kell rendelkeznie. Sérülés tekintetében minden használat előtt vizsgálja meg. Használatkor mindig tekerje szét, mert a feltekert kábelek túlhevülhetnek. A sérült hosszabbító kábeleket tilos megjavítani, azokat azonos típusúra kell kicserélni.
- Ne használja a terméket ha az elektromos kábelek károsodtak vagy elhasználódtak.

- Ha használat közben a tápkábel vagy a hosszabbító kábel megsérül, azonnal húzza ki a kábelt az elektromos hálózati aljzatról. Na érintse meg az elektromos kábeleket, amíg a gép nincs kihúzva a hálózatról.
- Ügyeljen rá, hogy a tápkábel úgy legyen elvezetve, hogy azt ne vágják el a kapák, arra ne lépjenek rá, ne botoljanak el benne, és más módon se károsítsák vagy feszítsék meg.
- A hálózatról való leválasztásakor soha ne a tápkábelt húzza.
- Hőtől, olajtól és éles szélektől tartsa távol a tápkábelt.
- Ellenőrizze, hogy a hálózati feszültség megfelelő a termékhez. A termék működési feszültsége az adattáblán van feltüntetve. A terméket ne csatlakoztassa olyan váltóáramú feszültséghez, amely különbözik ettől a feszültségtől.

ELŐKÉSZÜLET

- Viseljen teljes szem- és fülvédőt a termék használata közben.
- A hallásvédő korlátozhatja a kezelőket, hogy meghallják a figyelmeztető hangjelzéseket, ezért különösen figyeljenek oda a munkaterületen és akörül fennálló potenciális veszélyekre.
- Viseljen vastag anyagból készült hosszú nadrágot, erős csúszásmentes lábbelit és kesztyűt. Ne vegyen fel laza ruhát, rövidnadrágot, illetve semmilyen ékszert. Ne használja a terméket mezítláb vagy nyitott szandálban.
- Ha hosszú a haja, azt a vállvonal felett rögzítse, nehogy beakadjon valamilyen mozgó alkatrészbe.
- Használat előtt és amennyiben a gépet bármilyen behatás éri, ellenőrizze, hogy az alkatrészek nem sérültek. A hibás kapcsolókat vagy bármilyen más sérült vagy elhasználódott alkatrészt a veszély elkerülése érdekében egy hivatalos szervizközpontban kell megjavíttatni vagy kicseréltetni.
- Soha ne működtesse a terméket, amíg nincs minden védőburkolat, terelőlemez és fogantyú megfelelően felszerelve és rögzítve.
- Minden használat előtt ellenőrizze a

kapákat. Ha szükséges, cserélje ki a kapaszerelvényt újra. Az elhasználódott kapák gyenge teljesítményt biztosítanak, és túlterhelik a motort.

- Vizsgálja át a környezetet, ahol dolgozik. A munkaterületet tisztítsa meg a drótdaraboktól, fadaraboktól, kövektől és más hulladéktól, melyek a kapákba ütközve kivetődhetnek.

TALAJLAZÍTÓ BIZTONSÁGI FIGYELMEZTETÉSEK

- Poros körülmények között viseljen arcmaszkot, hogy csökkentse a por beszívásából eredő sérülések veszélyét.
- A leejtőkön keresztbe használja a terméket, soha ne felfelé és lefelé haladva. A leejtőn való irányváltás közben legyen különösen óvatos.
- Különleges figyelemmel járjon el, amikor megfordítja vagy maga felé húzza a terméket.
- Ne emelje fel és ne szállítsa a terméket működő motorral.
- Ne működtesse a terméket föld alatti elektromos kábelek, telefonvonalak, csövek és tömlők közelében.
- Nappal vagy jó mesterséges megvilágításnál használja a terméket.
- Mindig tartson megfelelő testtartást és egyensúlyt, különösen a leejtőkön.
- Ne lépjen hátrafelé a termék használata közben.
- Gyalogoljon, és soha ne fusson a termékkel.
- Ne használja a terméket mélyedések, árkok, túlzottan meredek lejtők vagy töltések közelében. A nem stabil tartás csúszási vagy esési balesetet okozhat.
- A nehéz talajokon való munka közben legyen különösen óvatos. Ha a talaj túl kemény, locsolja meg néhány nappal a talajlazítás előtt.
- Kerülje az ázott vagy nedves talaj megmunkálását. Nagy esőzés után várjon egy-két napot, hogy a talaj kiszáradjon.
- A kezét és lábát minden esetben, de különösen a motor bekapcsolásakor, tartsa távol a forgó kapáktól.
- Ügyeljen a forgó kapák által kivetett tárgyakra. A használat megkezdése előtt

tisztítsa le a hulladékot, például a kisebb köveket, kavicsot és más idegen tárgyakat a munkaterületről. A vezetékek vagy szálak beakadhatnak a forgó kapákba.

- Vigyázzon, a kapák a motor leállítása után tovább forognak.
- A következők előtt kapcsolja ki a gépet és húzza ki a hálózatból, és várjon az összes forgó rész megállására:
 - szervizelés
 - a termék felügyelet nélkül hagyása
 - a termék tisztítása vagy eltömődés megszüntetése
 - tartozékok cseréje
 - egy tárgy eltalálása után vizsgálja meg, hogy nincsenek-e rajta sérülések
 - Ellenőrizze, hogy a termék nem sérült-e meg, ha a vágó túlzottan vibrálni kezd
 - karbantartás végrehajtása
- Mindig ügyeljen rá, hogy semmi ne maradjon a szellőzőnyílásokban.
- Ellenőrizze, hogy minden védőeszköz fel van szerelve és jó működési állapotban van.
- Semmilyen módon ne változtassa meg a terméket, mert azzal növelheti a saját maga vagy mások sérülésének veszélyét.

▲ FIGYELEMFELHÍVÁS

A termék bármikor felugorhat és/vagy előreugorhat, ha a kapák különösen kemény, rögös talajba, fagyott földbe vagy rejtett akadályba, például nagyméretű kövekbe, gyökerekbe vagy tönkőbe ütköznek.

▲ FIGYELEMFELHÍVÁS

A termék egyik helyről egy másikra való mozgatása előtt kapcsolja ki a motort, és várjon a kapák teljes megállásáig. A termék szállítása közben ügyeljen rá, hogy a kapák ne érjenek a talajhoz. A kapák, valamint maga a termék is károsodhat, még akkor is, ha a motor ki van kapcsolva.

TIPPEK A HASZNÁLATHOZ

- A forgó részek vagy az eldobott tárgyak miatti sérülésveszély csökkentése érdekében a kezelőnek a fogantyúrúd

mögött kell állnia. Ne álljon a fogantyúrúd oldalához vagy elé, miközben a termék használatban van.

- Mindig viseljen védőszemüveget. A termék használatakor mindig viseljen csúszásmentes biztonsági lábbelit.
- Amikor a termék átvágja és segít megtisztítani aljnövényzetet és a gyökereket, a kapák belegabalyodhatnak a talajmenti sűrű aljnövényzetbe vagy tarlóba. Egy bozótvégővel vagy más hasonló szerszámmal tisztítsa meg a megművelendő területet, és készítse elő a talajt a nagyméretű tárgyak (pl. kövek, téglák vagy fémoszlopok) eltávolításával a talajfelszínről.
- A kezeit és a lábait tartsa távol a kapáktól, a motort úgy indítsa be, hogy a kapák némileg a talaj fölött legyenek, és nyomja be a kapcsolóreteszt és utána a be/ki kapcsolót. Miközben erősen tartja a fogantyút, engedje le a kapákat a talajra. Ezen a ponton a talaj keménységétől függően a termék megpróbálhatja előre felé húzni magát. Visszahúzással akadályozza meg a termék előrehaladását, amikor a kapák elkezdik bevájni magukat a talajba. Ha mégsem, előre-hátra mozgatással (kb. 20 cm eléréséig) vagy a fogantyúrúd enyhe fel-le irányú ringató mozgatásával segítsen, hogy a kapák elérjék a munkamélységet.
- Módosíthatja a kapák munkamélységét a kerekek kapákhöz közelebb vagy távolabb helyezésével. Amikor a kapák a talajban a kívánt mélységben vannak, lassan mozgassa előre a terméket, és hagyja, hogy a motor tegye a dolgát. Ha a kapák olyan tárgyat találnak el, amelyet nehéz elmozdítani vagy elválni, a termék felemelkedhet, mivel a kapák megpróbálnak áthaladni az akadály felett. Állítsa le a terméket, és hagyja megállni a kapákat, mielőtt megpróbálja felderíteni vagy eltávolítani az akadályt.
- Ha a megművelendő talaj kemény vagy száraz, jobb, ha a művelés előtt megöntözi a talajt, de ne áztassa el teljesen; hagyjon időt, hogy a talaj elszívja a vizet és a felesleg valamerre elfolyjon.

SZÁLLÍTÁS ÉS TÁROLÁS

- A tároláshoz mindig válassza le a hálózatról és tekerje fel a kábelt.
- Szállítás és tárolás előtt állítsa le és hagyja lehűlni a terméket.
- Minden idegen anyagtól tisztítsa meg a terméket. Hűvös, száraz és jól szellőztetett, gyerekektől elzárt helyiségben tárolja. Ne tárolja olyan oxidálószeres közelében, mint pl. kerti munkáknál használatos vegyszerek vagy jégmentesítő sók. Ne tárolja a szabadban.
- Törölje át olajjal vagy fújja le szilikon kenőanyaggal a kapákat a rozsdásodás megelőzése érdekében. Vigyázzon az éles vagy sérült élű kapákkal.
- Olajozza meg az összes látható mozgó alkatrészt. Ne vegye le a motor burkolatát.
- Szállításkor rögzítse a terméket elmozdulás és leesés ellen, hogy elkerülje a sérüléseket és a termék sérülését.
- Ne szállítsa a terméket a védőburkolatánál fogva. Csak a markolatnál vagy az elülső fogantyúnál fogva tartsa vagy szállítsa a terméket.

KARBANTARTÁS

▲ FIGYELMEZTETÉS

Csak a gyártó eredeti cserealkatrészeit, tartozékait és szereléseit használja. Ennek figyelmen kívül hagyása gyenge motorteljesítményt, esetleges sérülést és a jótállás elvesztését okozhatja.

▲ FIGYELMEZTETÉS

A termék átvizsgálása, tisztítása vagy szervizelése előtt húzza ki a tápkábelt, és várja meg, amíg a mozgó alkatrészek megállnak. Ezeknek az előírásoknak a be nem tartása súlyos testi sérüléssel járó baleseteket és jelentős anyagi károkat idézhet elő.

A műanyag részek tisztításakor tartózkodjon a tisztítószerek használatától. A legtöbb műanyag érzékeny a különböző típusú kereskedelmi oldószerekre és azok használata esetén károsodhat. Egy tiszta ruhát használjon a kosz, por, olaj, kenőzsír, stb. eltávolítására.

86 | Magyar

▲ FIGYELMEZTETÉS

A műanyag részek semmilyen körülmények között nem érintkezhetnek fékolajjal, benzinnel, petróleum alapú termékekkel, beszívódó olajokkal stb. Ezen anyagok olyan vegyületeket tartalmaznak, amelyek károsíthatják, meggyengíthetik vagy tönkretelhetik a műanyagot.

▲ FIGYELMEZTETÉS

A kapák élesek. Óvatosan járjon el, és viseljen nehéz igénybevételekre tervezett kesztyűt a felszerelésükkor, cseréljükör, tisztításükkor vagy a csavarok ellenőrzésekor.

- Egy puha, száraz ruhával minden használat után tisztítsa meg a termék házát és fogantyúit, és egy kemény kefével tisztítsa meg a kapákat a lerakódásoktól.
- Gyakori időközönként ellenőrizze a csavaranyák, csavarok és fejescsavarok megfelelő meghúzását, hogy a termék biztonságos üzemi állapotban legyen.
- A vásárló csak a cserealkatrész listán lévő alkatrészeket javíthatja vagy cserélheti ki. Minden más alkatrészt egy hivatalos szervizközpontban kell kicseréltetni.

FENNMARADÓ KOCKÁZAT

Még a termék rendeltetésszerű használata esetén sem lehet teljesen kiküszöbölni minden kockázati tényezőt. A gép használata során a következő veszélyek merülhetnek fel, és a kezelőnek különösen oda kell figyelnie az alábbiak elkerülésére:

- Kapákkal való érintkezés.
- A vibráció sérüléseket okozhat. A terméket az arra szolgáló fogantyúknál tartsa, és korlátozza a munkaidőt és a vibrációnak való kitettséget.
- A zajnak való kitettség halláskárosodást okozhat. Viseljen hallásvédőt és korlátozza a zajnak való kitettséget.
- A repülő hulladék okozta szemsérülés. Mindig viseljen szemvédőt.

KOCKÁZATCSÖKKENTÉS

Arról számoltak be, hogy a kéziszerszámok használata során fellépő vibráció bizonyos

személyeknél hozzájárulhat az úgynevezett Raynaud-szindróma (Raynaud's Syndrome) nevű állapot kialakulásához. A tünetei lehetnek: az ujjak zsibbadása, elfehéredése, szúrások érzése, amelyek hidegnek kitéve gyakran felerősödnek. Az öröklődő tényezők, a hidegnek kitétség és verejtékezés, a diéta, a dohányzás és munka közben alkalmazott fogások valószínűleg mind hozzájárulhatnak ezen tünetek megjelenéséhez. A vibráció hatásainak csökkentése érdekében a kezelőnek be kell tartani az alábbi óvintézkedéseket:

- Hideg időben tartsa melegen a testét. A termék használatakor viseljen kesztyűt a kéz és a csukló melegen tartásához. Arról számoltak be, hogy a hideg időjárásnak fontos szerepe van a Raynaud-szindróma kialakulásában.
- Bizonyos időtartamú használat után mindig végezzen gyakorlatokat a vérkeringés javításához.
- Gyakran tartson munkaszünetet. Korlátozza a napi munkaidőt.

Ha ezen állapot bármelyik tünetét tapasztalja, azonnal hagyja abba a munkát, és tájékoztassa az orvosát a tünetekről.

⚠ FIGYELMEZTETÉS

Injuries may be caused, or aggravated, by prolonged use of a tool. Ha a gépet hosszú időn át kell használnia, tartson gyakran szünetet.

ISMERJE MEG A TERMÉKET

Lásd 137. oldal.

1. Fogantyú
2. BE/KI kapcsoló gomb
3. Be/ki kapcsolóretesz
4. Tápkábel
5. Motor vezérlőkábele
6. Tápkábel tartó
7. Motor vezérlőkábelének tartója
8. Elülső fogantyú
9. Belső kapa
10. Külső kapa
11. Kerék
12. Vonórúd
13. Fogantyú gombja

SZIMBÓLUMOK A TERMÉKEN



A termék használata előtt olvassa el és értse meg a kezelési útmutatóban leírtakat, és tartsa be az összes figyelmeztető és biztonsági utasítást.



Viseljen fülvédőt



Viseljen védőszemüveget



Karbantartás előtt, vagy a kábel sérülése, átvágása vagy beakadása esetén azonnal húzza ki a tápkábelt az elektromos hálózathoz.



Figyeljen a kivetett vagy repülő tárgyakra. Az összes nézelődő, különösen a gyerekek és a háziállatok, legyenek legalább 15 m-es távolságra a használati területtől.



A kezét és a lábát tartsa távol a forgó kapáktól.



A rugalmas csatlakozókábelt tartsa távol a vágókapáktól.



A kiselejtezett elektromos termékeket nem szabad a háztartási hulladékkal együtt kidobni. Ezeket újra kell hasznosítani, ha van rá lehetőség. Az újrahasonosítással kapcsolatban érdeklődjön a helyi önkormányzatnál vagy a termék forgalmazójánál.



Ez a szerszám minden, a vásárlás európai uniós országában hatályos szabványnak megfelel.



Eurázsiai megfelelőségi jelzés.



Garantált hangteljesítményszint: 93 dB.

EN
FR
DE
ES
IT
NL
PT
DA
SV
FI
NO
RU
PL
CS
HU
RO
LV
LT
ET
HR
SL
SK
BG

A következő jelölőszavak és jelölések arra szolgálnak, hogy megmagyarázzák a termékkel kapcsolatos veszélyességi szinteket:

⚠ VESZÉLY

Egy bekövetkező veszélyes helyzetet jelez, ami, ha nem előzik meg, halált vagy komoly sérülést eredményez.

⚠ FIGYELMEZTETÉS

Egy potenciálisan bekövetkező veszélyes helyzetet jelez, amit, ha nem előznek meg, halált vagy komoly sérülést eredményezhet.

⚠ FIGYELEMFELHÍVÁS

Egy potenciálisan veszélyes helyzetet jelez, ami, ha nem előzik meg, kisebb vagy mérsékelt sérülést eredményezhet.

FIGYELEMFELHÍVÁS

Biztonsági figyelmeztető szimbólum nélkül
Egy olyan helyzetet jelez, ami anyagi kárt eredményezhet.

A KÉZIKÖNYVBEN HASZNÁLT SZIMBÓLUMOK



Csatlakoztassa egy elektromos hálózati aljzathoz



Húzza ki az elektromos hálózati aljzathból



Külön értékesített alkatrészek és kiegészítők



MEGJEGYZÉS:



FIGYELMEZTETÉS

UTILIZARE PREVĂZUTĂ

Siguranței, performanței și încrederii i-au fost acordate priorități maxime în proiectarea cultivatorului Dvs electric.

Produsul este destinat doar pentru folosire exterioară de către un operator în picioare și pășind împreună cu produsul. Pentru motive de siguranță, acest produs trebuie să fie controlat adecvat prin folosirea tot timpul a operațiunilor cu ambele mâini.

Produsul este proiectat pentru cultivarea sau aratul solului în cadrul grădinilor din curte. Adâncimea maximă de operare a produsului este de 19.5 cm.

Produsul nu trebuie niciodată operat cu roțile desprinse de sol. Nu puteți să vă suiți pe el. Produsul trebuie să fie folosit așa cum este descris în acest manual și nu trebuie folosit pentru alte scopuri.

AVERTISMENTE GENERALE PRIVIND SIGURANȚA

▲ AVERTISMENT

Atunci când utilizează produsul, normele de siguranță trebuie să fie respectate. Pentru siguranța dumneavoastră și a trecătorilor, vă rugăm să citiți aceste instrucțiuni înainte de utilizarea produsului. Vă rugăm păstrați instrucțiunile în siguranță pentru o folosire ulterioară.

▲ AVERTISMENT

Produsul nu este destinat a fi folosit de către copii sau persoane cu capacități fizice, mintale sau senzoriale reduse. Copiii trebuie să fie supravegheați adecvat pentru a vă asigura că nu se joacă cu produsul.

▲ AVERTISMENT

Anumite regiuni au reglementări ce restricționează folosirea produsului. Pentru sfaturi întrebați autoritățile dvs. locale.

INSTRUIRE

- Nu lăsați niciodată copii sau persoanele nefamiliarizate cu aceste instrucțiuni să folosească produsul. Reglementările locale pot restricționa vârsta operatorului.

- Citiți instrucțiunile cu atenție. Familiarizați-vă cu toate comenzile și folosirea corespunzătoare a produsului.
- Țineți trecătorii, copiii și animalele de companie la 15 metri depărtare de zona de operare. Oprii produsul dacă cineva intră în zonă.
- Nu folosiți niciodată produsul când sunteți oboseți, bolnav sau sub influența alcoolului, drogurilor sau medicamentelor.
- Rețineți că operatorul sau utilizatorul este responsabil pentru accidente sau pericolul ce pot avea loc asupra altor persoane sau proprietăți lor.

SIGURANȚĂ ELECTRICĂ

- Ștecherile trebuie să se potrivească cu prizele. Nu modificați niciodată ștecărul în nici un fel. Nu folosiți niciodată adaptoare de ștecăr cu uneltele electrice cu împământare. Ștecărele nemodificate și prizele potrivite reduc riscul de electrocutare.
- Evitați contactul corpului cu suprafețele conectate la împământare, precum țevi, radiatoare, reșouri, mașini de gătit și frigider. Există un risc crescut de electrocutare când corpul dumneavoastră are contact cu împământarea.
- Nu operați produsul când există risc de fulgere.
- Nu expuneți produsul la ploaie sau condiții de umiditate. Pătrunderea apei în aparat va crește riscul electrocutării.
- Energia electrică trebuie să fie furnizată printr-un dispozitiv pentru curent rezidual (RCD) cu un curent de declanșare de nu mai mult de 30 mA.
- Înainte de fiecare folosire, verificați de defecte cablul de alimentare. Dacă există semne de deteriorare, el trebuie înlocuit de către o persoană calificată la un centru service autorizat pentru a evita pericolul. Desfășurați întotdeauna cablul de alimentare, cablurile înfășurate pot să se supraîncalzească.
- Dacă trebuie să folosiți un cablu prelungitor, asigurați-vă că este potrivit pentru uzul exterior și are o capacitate suficientă de curent pentru a alimenta produsul Dvs. Cablul prelungitor trebuie să fie marcat fie "H05 RN-F", fie "H05 VV-F". Verificați înainte de fiecare folosire să nu fie deteriorat. Desfășurați întotdeauna

EN
FR
DE
ES
IT
NL
PT
DA
SV
FI
NO
RU
PL
CS
HU
RO
LV
LT
ET
HR
SL
SK
BG

cablul în timpul folosirii întrucât cablurile nedesfășurate se pot supraîncălzi. Cablurile prelungitoare deteriorate nu trebuie reparate, ele trebuie înlocuite cu un model echivalent.

- Nu utilizați produsul în cazul în care cablurile electrice sunt deteriorate sau uzate.
- În cazul în care cablul de alimentare sau cablu de extensie se deteriorează în timpul utilizării, deconectați de la sursa de alimentare imediat. Nu atingeți cablurile electrice până când sursa de alimentare nu este deconectată.
- Asigurați-vă că poziționarea cablului de alimentare este în așa fel încât nu va fi deteriorat de cuțite și nu se va păși peste ele, nu se va putea împiedica de el sau va fi supus deteriorării sau tensionării lui.
- Nu trageți niciodată de cablul de alimentare pentru a deconecta de la sursa de alimentare.
- Păstrați cablul departe de căldură, ulei sau margini ascuțite.
- Asigurați-vă că tensiunea este corectă pentru produsul Dvs. O etichetă de pe produs indică tensiunea produsului. Nu conectați produsul la o tensiune de curent alternativ care diferă de această tensiune.

PREGĂTIRE

- Purtați protecție completă a ochilor și urechilor în timpul operării produsului.
- Protecția auzului ar putea împiedica operatorului capacitatea de a auzi sunete de avertizare, să acorde atenție specială potențialelor pericole din jurul său sau înăuntrul zonei de lucru.
- Purtați pantaloni lungi rezistenți, încălțăminte robustă antiderapantă și mănuși. Nu purtați haine largi, pantaloni scurți și bijuterii de niciun fel. Nu operați produsul dacă sunteți desculț sau dacă purtați sandale.
- Prindeți părul lung deasupra umerilor pentru a preveni prinderea lui de părțile în mișcare.
- Înainte de folosire și după fiecare impact, verificați să nu existe părți/piese deteriorate. Un întrerupător defect sau orice altă parte ce e defectă sau uzată trebuie corespunzător reparată sau înlocuită la un

centru service autorizat pentru a evita un pericol.

- Nu operați niciodată produsul fără a avea toate apărătorile, deflectoarele și mânerele corespunzător atașate și fixate.
- Verificați cuțitele înainte de fiecare folosire. Înlocuiți ansamblul de cuțite cu altele noi atunci când e necesar. Cuțitele uzate cauzează o performanță scăzută și suprasolicită motorul.
- Luați în considerare ambientul în care lucrați. Mențineți zona de lucru liberă de cabluri electrice, bețe, pitere și resturi ce pot fi înșepenite în cuțite, ele pot deveni obiecte aruncate.

CULTIVATORUL AVERTIZĂRI DE SIGURANȚĂ

- Purtați o mască de față cu filtru în condiții de praf pentru a reduce riscul de vătămare asociat cu inhalarea de praf.
- Folosiți produsul de-a latul pantelor, niciodată în jos și în susul ei. Acordați atenție maximă atunci când schimbați direcția pe pantă.
- Exerțiți maximă atenție atunci când dați înapoi sau trageți produsul înspre Dvs.
- Nu ridicați și nu purtați produsul când motorul funcționează.
- Nu operați produsul în vecinătatea cablurilor electrice îngropate, a firelor de telefon, a țevilor sau furtunelor.
- Folosiți produsul doar pe lumina zilei sau pe lumină artificială puternică.
- Mențineți un sprijin pe picioare și echilibru corespunzător întotdeauna, în special pe pante.
- Nu pășiți înapoi atunci când folosiți produsul.
- Pășiiți, nu alergați niciodată cu produsul.
- Nu folosiți produsul lângă pante abrupte, șanțuri, zone extrem de înclinate sau diguri. Echilibrul fragil pe picioare poate cauza alunecarea sau căderea.
- Exerțiți maximă atenție când lucrați pe un sol dificil. Dacă solul este foarte tare, udați-l cu câteva zile înaintea aratului.
- Evitați lucrul când solul este ud sau îmbibat cu apă. Așteptați o zi sau două după o ploaie puternică ca solul să se usuce.

- Țineți întotdeauna mâinile și picioarele ferite de cuțitele în rotire în special când porniți motorul.
- Fiți atent la obiectele aruncate de cuțitele în rotire. Curățați resturile precum pietre mici, pietriș și alte obiecte străine din zona de lucru înainte de începerea operării. Cablurile sau firele pot să fie prinse de cuțitele în rotire.
- Fiți atent, cuțitele continuă să se rotească după ce motorul a fost oprit.
- Opriți și deconectați-l de la priza de curent și așteptați ca toate părțile în mișcare să se oprească înainte de a:
 - revizia
 - lăsarea produsului fără supraveghere
 - curățarea produsului dvs sau înlăturarea unui blocaj
 - schimbarea accesoriilor
 - verificare pentru orice daune după lovirea unui obiect
 - verificare pentru orice daune în cazul în care produsul începe să vibreze anormal
 - efectuarea întreținerii
- Asigurați-vă întotdeauna că deschiderile de ventilație nu sunt acoperite de resturi.
- Asigurați-vă că toate dispozitivele de protecție sunt montate și sunt în stare bună.
- Nu modificați produsul în niciun fel întrucât acest lucru crește riscul de vătămare a Dvs sau a celorlalți.

⚠ ATENȚIE

Produsul poate să salte în sus și/sau înainte dacă cuțitele lovesc o bucată de sol extrem de tare, sol înghețat sau obstacole îngroapate precum pietre, rădăcini sau cioturi de copaci.

⚠ ATENȚIE

Înainte de mutarea produsului dintr-o zonă în alta opriți motorul și așteptați ca cuțitele să se oprească complet. Fiți atent și nu lăsați cuțitele să atingă solul în timpul mutării produsului. Cuțitele precum și produsul pot fi deteriorate chiar dacă motorul este oprit.

SFATURI DE OPERARE

- Pentru a reduce riscul de vătămare din contactul cu părțile în mișcare sau cu cel a obiectelor aruncate, operatorul trebuie să stea în spatele ghidonului. Nu stați niciodată în partea laterală sau în fața ghidonului cât timp produsul este în funcțiune.
- Purtați întotdeauna ochelari de protecție. Purtați întotdeauna încălțăminte antiderapantă atunci când operați produsul.
- În timp ce produsul va tăia și va ajuta la degajarea vegetației din subsol și a rădăcinilor, cuțitele pot să fie înțepenite de vegetația deasă sau de miriștea deasupra solului. Curățați zona ce doriți s-o arăți cu un aparat de tuns gardul viu sau aparate similare și pregătiți solul prin îndepărtarea resturilor mari (de ex pietre, cărămizi, stâlpi de metal) de la suprafață.
- Ținând mâinile și picioarele ferite de cuțite, porniți motorul cu cuțitele ușor deasupra solului prin apăsarea întrerupătorului de blocare urmat de întrerupătorul pornit/oprit. În timp ce țineți fix ghidonul, coborâți cuțitele înspre sol. În acest punct produsul ar putea să se traga pe el înspre înainte în funcție de cat de tare e solul. Rezistați acestei trageri a produsului de a merge în față, și cuțitele vor trebui să înceapă să se îngroape în sol. Dacă se întâmplă acest lucru, folosiți o mișcare înainte-înapoi (este suficient în jur de 20 de cm) sau o mișcare ușoară de ridicare-coborâre a ghidonului pentru a asista cuțitele în a ajunge la adâncimea de lucru.
- Puteți modifica adâncimea în sol a cuțetelor prin mutarea roților mai aproape sau mai departe de cuțite. Odată ce cuțitele sunt în sol la adâncimea cerută, împingeți lent produsul înspre înainte, lăsând ca motorul să-și facă treaba. În cazul în care cuțitele lovesc un obiect prea greu de mutat sau tăiat, produsul ar putea să se ridice pe măsură ce cuțitele vor încerca să treacă de obstacol. Opriți produsul și lăsați cuțitele să se oprească din mișcare înainte de a verifica sau îndepărta obstacolul.
- Dacă solul ce va fi arat este prea tare sau uscat, este mai bune să udați solul, dar nu-l îmbibați complet și apoi permiteți apei să pătrundă în sol iar excesul de apă să se scurgă înainte de a încerca să arăți.

EN
FR
DE
ES
IT
NL
PT
DA
SV
FI
NO
RU
PL
CS
HU
RO
LV
LT
ET
HR
SL
SK
BG

TRANSPORTAREA ȘI DEPOZITAREA

- Pentru depozitare, deconectați întotdeauna de la sursa de alimentare și înfășurați cablul.
- Opriti produsul și lăsați-l să se răcească înainte de a-l depozita sau transporta.
- Curățați toate materialele străine din produs. Depozitați-l într-un loc răcoros, uscat și bine aerisit ce este inaccesibil copiilor. Nu-l depozitați în apropiere de agenți corozivi cum ar fi produși chimici de grădinarit sau săruri antigel. Nu depozitați în aer liber.
- Ștergeți cuțitele cu ulei sau pulverizați lubrifiant cu silocon pentru a preveni ruginirea lor. Fiți atent la marginile deteriorate sau ascuțite ale cuțitelor.
- Ungeți cu ulei toate părțile în mișcare vizibile. Nu îndepărtați capaculș motorului.
- Pentru transportare, fixați produsul să nu se miște sau cadă pentru a preveni vătămarea persoanelor sau deteriorarea produsului.
- Nu purtați produsul de apărătoare. Țineți sau cărați produsul doar de ghidon sau mânerul frontal.

ÎNȚEȚINEREA

⚠ AVERTISMENT

Folosiți doar piese de schimb, accesorii și atasamente originale ale producătorului Neurmarea acestora poate cauza posibilă vătămare, slaba funcționare și ar putea anula garanția.

⚠ AVERTISMENT

Înainte de inspectare, curățare sau efectuarea service-lui produsului, deconectați cablul electric de la priză și așteptați ca toate părțile în mișcare să se oprească. Nerespectarea acestor măsuri poate provoca răni grave sau daune materiale considerabile.

Evitați să folosiți solvenți pentru curățarea pieselor din plastic. Majoritatea pieselor din plastic sunt susceptibile să se deterioreze de la tipurile diferite de solvenți comerciali și pot fi deteriorate. Utilizați cârpe curate pentru a îndepărta praful, uleiul, vaselina etc.

92 | Română

⚠ AVERTISMENT

Nu lăsați deloc lichidul de frână, benzina, produsele pe bază de petrol, uleiurile penetrante etc., să intre în contact cu piesele din plastic. Aceste produse chimice conțin substanțe care pot afecta, slăbi sau distruge plasticul.

⚠ AVERTISMENT

Cuțitele sunt ascuțite. Folosiți atenție și purtați mănuși rezistente când montați, înlocuiți, curățați sau verificați șurubul de siguranță.

- După fiecare folosire, curățați corpul și mânerul produsului cu o cârpă moale și uscată, și curățați resturile de pe cuțite cu o perie tare.
- Verificați toate piulițele, suruburile la intervale frecvente de timp ca să fie corespunzător strânse pentru a vă asigura că produsul este în stare de lucru în siguranță.
- Doar părțile arătate în lista cu piese de schimb sunt destinate a fi reparate sau înlocuite de către client. Toate celelalte părți trebuie să fie înlocuite la un centru service autorizat.

RISCURI REZIDUALE

Chiar dacă produsul este folosit așa cum a fost prescris, este totuși imposibil să se elimine complet anumiți factori de risc reziduali. Următoarele pericole pot apărea în timpul folosirii și operatorul trebuie să acorde o atenție specială pentru a evita următoarele:

- Contactul cu cuțitele.
- Vătămare cauzată de vibrație. Țineți produsul de mânerul proiectat și restricționați timpul și expunerea de lucru.
- Expunerea la zgomot poate cauza vătămarea auzului. Purtați protecție pentru auz și limitați expunerea.
- Vătămare a ochilor datorată resturilor aruncate. Purtați întotdeauna protecție pentru ochi.

REDUCEREA RISCULUI

A fost raportat faptul că vibrațiile de la produsele ținute în mână ar putea să

contribuie la la anumite persoane la starea numită sindromul lui Raynaud. Simptomele pot include furnicăture, amorțeală și albirea degetelor, care apare, de obicei, după expunerea la frig. Factori ereditari, expunerea la frig și umiditate, dieta, fumatul și practicile de muncă contribuie la dezvoltarea acestor simptome. Există măsurători care pot fi efectuate de către operator pentru a reduce efectele de vibrațiilor:

- Păstrați-vă temperatura corporală ridicată pe vreme rece. Când operați produsul purtați mănuși pentru a menține calde mâinile și încheieturile. S-a constatat că vremea rece este un factor major care contribuie la sindromul Raynaud.
- După fiecare perioadă de operare, trebuie făcute exerciții pentru a crește circulația sângelui.
- Trebuie făcute pauze la intervale de timp regulate. Limitați expunerea zilnică.

Dacă sunt experimentate oricare dintre simptomele acestei afecțiuni, trebuie întreruptă utilizarea și consultat un medic.

⚠ AVERTISMENT

Pot fi cauzate sau agravate vătămrile de la folosirea prelungită a aparatului. Atunci când folosiți o sculă pentru perioade prelungite, asigurați-vă că luați pauze regulate.

CUNOAȘTEȚI-VĂ PRODUSUL

Vezi pagina 137.

1. Mâner
2. Întrerupător PORNIT/OPRIT
3. Întrerupător pornit/oprit de blocare.
4. Cordon de alimentare
5. Cablu de control motor
6. Dispozitiv de retenție a cablului electric.
7. Dispozitiv de retenție a comenzii motorului
8. Mâner anterior
9. Cuțit interior
10. Cuțit exterior
11. Roată
12. Brăzdar
13. Buton rotativ ghidon

SIMBOLURILE DE PE PRODUS.



Citiți și înțelegeți toate instrucțiunile înainte de operarea produsului, urmați toate avertizările și instrucțiunile de siguranță.



Purtați protecție pentru urechi



Purtați întotdeauna ochelari de protecție



Scoateți ștecherul din priză imediat înaintea întreținerii sau în cazul în care cablul electric este deteriorat, tăiat sau încălzit.



Feriți-vă de obiecte proiectate sau în zbor. Țineți toți trecătorii, în special copiii și animalele de companie la cel puțin 15 metri de zona de operare.



Țineți mâinile și picioarele ferite de cuțitele în rotire.



Țineți cablul de alimentare flexibil ferit de cuțite.



Deșeurile produselor electrice nu trebuie scum înlăturate împreună cu deșeurile casnice. Vă rugăm reciclați acolo unde există facilități. Verificați la autoritatea dvs locală sau la vânzător pentru sfaturi privind reciclarea.



Acest aparat este conform cu ansamblul normelor reglementare din țara din UE în care a fost cumpărat.



Marcaj de conformitate EurAsian.



Nivelul de putere sonoră garantat este de 93 dB.

Următoarele cuvinte de semnalizare sunt destinate a explica nivelele de risc asociate

cu acest produs:

⚠ PERICOL

Indică o situație periculoasă iminentă, care dacă nu este evitată va cauza decesul sau vătămarea gravă.

⚠ AVERTISMENT

Indică o situație periculoasă iminentă, care dacă nu este evitată poate rezulta în deces sau vătămarea gravă.

⚠ ATENȚIE

Indică o situație potențial periculoasă, care dacă nu este evitată poate cauza vătămarea moderată sau ușoară.

ATENȚIE

Fără a simbolul de alertă privind siguranța
Indică o situație care poate duce la pagube materiale.

SIMBOLURI DIN ACEST MANUAL



Conectarea la priză



Deconectați de la priză



Piese sau accesorii vândute separat



OBSERVAȚIE:



AVERTISMENT

PAREDŽĒTAIS LIETOJUMS

Drošība, sniegums un uzticamība ir augstākā prioritāte jūsu jaunajā elektriskajā kultivatorā.

Produktu var izmantot tikai ārā esošs stāvošs operators, kas pārvietojas ar precī. Drošības apsvērumu dēļ ierīcei vienmēr jābūt pienācīgi kontrolētai, izmantojot abas rokas.

Prece ir paredzēta kultivēšanai vai augsnes iridināšanai, atklātā piemājas dārzā. Preces maksimālais darba dziļums ir 19,5 cm.

Precī nekad nedrīkst darbināt ar paceltiem riteņiem. Uz tās nedrīkst braukt. Precī drīkst izmantot tikai tā, kā aprakstīts šajā rokasgrāmatā un to nedrīkst izmantot citiem mērķiem.

VISPĀRĪGIE DROŠĪBAS BRĪDINĀJUMI

▲ BRĪDINĀJUMS

Izmantojot ierīci, izpildiet drošības noteikumus. Pirms darba uzsākšanas Jūsu un blakusstāvētāju drošības dēļ, lūdzu, izlasiet šos norādījumus. Lūdzu, saglabājiet instrukciju vēlākai izmantošanai.

▲ BRĪDINĀJUMS

Ierīce nav paredzēta bērniem vai cilvēkiem ar samazinātām fiziskām, garīgām spējām vai maņu kustību traucējumiem. Nepieciešams pienācīgi uzmanīt bērnus, lai nodrošinātu, ka tie nespēlējas ar ierīci.

▲ BRĪDINĀJUMS

Dažos reģionos pastāv noteikumi, kas ierobežo preces lietošanu. Vērsieties pie atbildīgajām amatpersonām pēc padoma.

APMĀCĪBA

- Nekad neļaujiet bērniem vai personām, kas nav iepazinušās ar instrukcijām, izmantot precī. Vietos īstatymai gali apriboti jrengimo operatoriaus amziu.
- Uzmanīgi izlasiet norādījumus. Iepazīstieties ar visām vadībām un pareizu preces izmantošanu.
- Pārlicinieties, ka tuvumā stāvošie -bēni un dzīvnieki ir 15 m attālumā un jūsu darbošanās vietas. Ja kāds ienāk zonā, apturiet precī.

- Nekad neizmantojiet produktu, kad esat noguris, slims vai alkohola, narkotiku vai medikamentu iespaidā.
- Turēkīte omenyje, kad operatorius arba vartotojas yra atsakingas už nelaimingus atsitikimus arba kitiems asmenims ar jų turtui sukeltą pavojų..

ELEKTRODROŠĪBA

- Kontakttdakšai ir jābūt tādai pašai kā elektrības izejai. Nekad nepārveidojiet kontakttdakšus. Sazemētiem elektroinstrumentiem nelietojiet pārejas ligzdas. Nepārveidotās kontakttdakšas un atbilstošās kontaktligzdas samazinās elektriskā trieciena risku.
- Nepieļaujiet ķermeņa kontaktu ar sazemētām virsmām, piemēram, caurulēm, radiatoriem, pavardiem un saldētavām. Ja jūsu ķermenis ir sazemēts, pastāv palielināts elektriskā trieciena risks.
- Nedarbiniet produktu, ja pastāv zibens iesperšanas risks.
- Nepakļaujiet precī lietum vai slapjiem apstākļiem. Ūdenim iekļūstot iekārtā, palielināsies risks saņemt elektriskās strāvas triecienu.
- Elektriskā enerģija jāpiegādā caur strāvas noplūdes automātslēdzi (RCD) ar atslēgšanas strāvu, kas nepārsniedz 30 mA.
- Pirms katras lietošanas reizes pārbaudiet, vai strāvas vads nav bojāts. Ja ir bojājuma pazīmes, labojumus jāveic kvalificētai personai pilnvarotā pakalpojumu centrā, lai izvairītos no briesmām. Lietošanas laikā vienmēr attīniet strāvas vadu, satīti vadi var pārkarst.
- Ja jums nepieciešams izmantot pagarinātāju, nodrošiniet, ka tas ir piemērots izmantošanai ārā un tā strāvas kapacitāte ir atbilstoša, lai apgādātu jūsu precī. Pagarinātājauklai ir jābūt apzīmētai ar "H05 RN-F" vai "H05 VV-F" Pirms katras lietošanas reizes, pārbaudiet, vai tas nav bojāts. Izmantošanas laikā, pilnībā attīniet kabeli jo satīti kabeļi var pārkarst. Bojātu vada pagarinātāju nedrīkst labot, to jānomaina pret līdzvērtīgu.
- Nelietojiet izstrādājumu, ja elektriskais kabelis ir bojāts vai nolietojies.
- Ja elektrības vads vai pagarinātāja kabelis darba laikā tiek bojāts, nekavējoties

atvienojiet to no strāvas avota. Nepieskarieties elektriskajiem kabeliem, kamēr nav atvienota enerģijas piegāde.

- Pārliecinieties, ka strāvas vads ir novietots tā, lai to nevar bojāt tapas un uz tā nevarētu uzkāpt, paklupt aiz tā, vai kā citādi bojāt vai traumēt.
- Atvienojot no enerģijas avota, nekad nevelciet aiz elektriskā vada.
- Turiet elektrības vadu prom no siltuma avota, eļļas un asām šķautnēm.
- Pārliecinieties, ka spriegums atbilst jūsu precī. Izstrādājuma spriegums norādīts uz izstrādājuma nosaukuma plāksnītes. Nekad nepievienojiet ierīci cita sprieguma vērtības maiņspriegumam.

SAGATAVOŠANA

- Darbinot precī, valkājiet pilnus acu un ausu aizsargus.
- Dzirdes aizsargs var apgrūtināt operatora spēju dzirdēt brīdinājuma skaņas, veltiet īpašu uzmanību potenciālām briesmām darba zonā un tās apkārtnē.
- Valkājiet izturīgas garās bikses, pasargājošus neslīdošus apavus un cimdus. Nevalkājiet vaļīgas drēbes, īsas bikses, jebkāda veida rotaslietas. Nedarbiniet ar kailām kājām vai valkājiet atvērtas sandales.
- Nostipriniet garus matus tā, lai tie ir virs plecu līmeņa, lai novērstu sapīšanas kustīgajās daļās.
- Pirms lietošanas un pēc jebkura trieciena, pārbaudiet, vai nav bojātu daļu. Deflektoru slēdzi vai ikvienu bojātu vai nolietotu daļu nepieciešams attiecīgi salabot vai nomainīt pilnvarotā pakalpojumu centrā, lai izvairītos no riskiem.
- Nekad nedarbiniet produktu, ja vien visi aizsargi, deflektori un rokturi ir pareizi un droši pievienoti.
- Pirms katras lietošanas reizes pārbaudiet tapas. Nomainiet tapas montāžas ar jaunām, kad nepieciešams. Nolietotās tapas rada sliktu sniegumu un motora pārslodzi.
- Apzinieties vidi, kurā jūs strādājat. Rūpējieties, lai darba zonā nebūtu stieplu, žagaru, akmeņu un atkritumu, kas iesprūstot tapās, var kļūt par mestiem priekšmetiem.

KULTIVATORA DROŠĪBAS BRĪDINĀJUMI

- Putekļainos apstākļos nēsājiet sejas masku, lai samazinātu savainojumu risku, kas saistīts ar putekļu ieelpošanu.
- Lietojiet precī paralēli nogāzēm, nekad no augšas uz leju. Būkite itin atsargūs ant šļaiņķ keisdamī kryptj.
- Ievērojet īpašu piesardzību, kad braucat atpakaļ gaitā vai velkat precī uz sevi.
- Nekad nepaceliet vai nesiet precī, kamēr darbojas motors.
- Nedarbiniet precī pie pazemes elektrības kabeliem, telefonu līnijām, cauruļvadiem vai šļūtenēm.
- Izmantojet precī tikai dienas gaismā vai labā mākslīgā apgaismojumā.
- Vienmēr rūpējeties, lai saglabātu atbilstošu pamatu un līdzsvaru, īpaši nogāzēs.
- Lietojot šo precī, nestaigājet atmuguriski.
- Ejiet, nekad neskrieniet ar precī.
- Nelietot izstrādājumu bedru, grāvju, pārlieki stāvu nogāžu vai krasta malu tuvumā. Galite paslysti ir pargriūti.
- Ievērojet īpašu piesardzību, kad strādājet uz sarežģītas augsnes. Ja augsne ir ļoti cieta, palaistiet to dažas dienas pirms kultivēšanas.
- Izvairieties strādāt augsnē, kad tā ir piemirkusi vai slapja. Pēc spēcīga lietus pagaidiet dienu vai divas, lai zeme izžūtu.
- Visu laiku turiet rokas un kājas pa gabalu no rotējošas tapas un īpaši, kad ieslēdzat motoru.
- Uzmanieties no rotējošo tapu mestiem priekšmetiem. Pirms darba uzsākšanas attīriet darba zonu no maziem akmeņiem, grants un citiem svešiem priekšmetiem. Stieples vai žagari var sapīties rotējošās tapās.
- Uzmanieties, tapas turpina rotēt pēc motora izslēgšanas.
- Izslēdziet un atvienojiet no strāvas padeves un pagaidiet, kamēr visas kustīgās daļas apstājas pirms:
 - apkope
 - izstrādājuma atstāšana bez uzraudzības
 - preces tīrīšana vai nosprostojuma atbrīvošana
 - maināmi piederumi

- ierīces pārbaude pēc sitiena pa priekšmetu
- ja izstrādājums sāk neparasti vibrēt, pārbaudiet, vai tas nav bojāts
- apkopes veikšana
- Vienmēr pārliecinieties, ka ventilācijas atveres ir tīras no netīrumiem.
- Pārliecinieties, ka visas aizsargierīces ir pievienotas un labā stāvoklī.
- Nepārveidojiet precī, jo tas var palielināt savainojumu risku jums un citiem.

▲ UZMANĪBU

Prece var palekties uz augšu un/vai uz priekšu, ja tapas saskaras ar ārkārtīgi cietu augsni, sasalušu zemi vai apraktiem šķēršļiem kā lieli akmeņi, saknes un celmi.

▲ UZMANĪBU

Pirms preces pārvietošanas no vietas zonas uz citu, izslēdziet motoru un pagaidiet kamēr tapas pilnībā apstājas. Esiet uzmanīgi, lai neļautu tapām saskarties ar zemi, pārvietošanas laikā. Tapas un prece var tikt bojāta pat, ja motors ir izslēgts.

DARBĪBAS PADOMI

- Lai samazinātu ievainojumu risku, saskaroties ar kustīgajām daļām vai mestiem priekšmetiem, lietotājam jāstāv aiz preces. Nekad nestāviet blakus vai pirms preces, kamēr prece darbojas.
- Vienmēr lietojiet aizsargbrilles. Vienmēr valkājiet neslīdošus drošus apavus, darbojoties ar precī.
- Lai gan prece nogriezīsies un palīdzēs attīrīt pazems veģetāciju un saknes, tapas var sapīties spēcīgajā veģetācijā vai virszemes daļās. Attīriet kultivējamo zonu, izmantojot zaru griežēju vai citus līdzekļus un sagatavojiet zemi, noņemot lielus atkritumus (piem., akmeņus, ķieģeļus un metāla stubus) no virsmas.
- Turiet rokas un kājas pa gabalu no tapām, iedarbiniet motoru ar tapām nedaudz virs zemes, nospiežot bloķēšanas slēdzi un ieslēgšanas/izslēgšanas slēdzi. Kamēr droši turat rokturis, pazeminiet tapas zemē. Prece šajā brīdī var censties sevi vilkt uz priekšu, atkarībā no zemes cietības. Apturiet preces vilcienu un tapām vajadzētu sākt ieburties zemē. Ja tā nenotiek, izmantojiet atpakaļ un uz priekšu (apmēram 20 cm ir pietiekami) vai nedaudz paceliet uz augšu un uz leju rokturi, lai palīdzētu tapām sasniegt savu darba dziļumu.
- Jūs varat mainīt tapu dziļumu zemē, pārvietojot riteņus tuvāk vai tālāk no tapām. Kad tapas ir zemē līdz nepieciešamajam dziļumam, lēnām pārvietojiet precī uz priekšu, ļaujot motoram veikt darbu. Ja tapas saskaras ar kādu, kas priekšmetu pārāk ciets, lai to pārvietotu vai sagrieztu, prece var pacelties, jo tapas mēģinās padot tālāk šķērslī. Apstādiniet precī un ļaujiet tapām pārtraukt kustību pirms veicat izmeklēšanu vai noņemat šķērslī.
- Ja kultivējamā zeme ir cieta vai sausa, labāk to aplejiet, taču pilnībā neizmērcējiet un atļaujiet ūdenim iesūkties zemē un aizplūst pirms mēģināt

TRANSPORTĒŠANA UN UZGLABĀŠANA

- Glabāšanas laikā vienmēr atvienojiet kabeli no strāvas avota un satiniet.
- Apturiet precī un ļaujiet tai atdzist pirms noglabāšanas vai transportēšanas.
- Notīriet visus svešķermeņus no izstrādājuma. Uzglabājiet to vēsā, sausā un labi vēdinātā vietā, kurai nevar piekļūt bērni. Neglabājiet to vietā, kur tuvumā atrodas korozīvas vielas, piemēram dārza darbos izmantojamas ķīmikālijas vai atsaldēšanai domāta sāls. Neuzglabājiet ārpus telpām.
- Noslaukiet tapas ar eļļu vai apsmidziniet tās ar silīcija lubrikantu, lai novērstu rūšēšanu. Uzmanieties no bojātām malām uz tapām.
- Eļļojiet visas redzamās kustīgās daļas. Nenoņemiet motora pārsegu.
- Transportējot, nostipriniet precī, lai tā nekustētos vai nenokristu, lai novērstu personu savainojumus vai bojājumus precei.
- Nenesiet precī aizsarga. Turiet vai nesiet precī tikai ar vadības roktura vai priekšējā roktura.

EN
FR
DE
ES
IT
NL
PT
DA
SV
FI
NO
RU
PL
CS
HU
RO
LV
LT
ET
HR
SL
SK
BG

APKOPE

▲ BRĪDINĀJUMS

Lietojiet tikai oriģinālās ražotāja rezerves daļas, piederumus un uzgaļus. Pretējā gadījumā var tikt radīti ievainojumi un parādīts slikts sniegums, kā arī var tikt anulēta garantija.

▲ BRĪDINĀJUMS

Pirms produkta pārbaudes, tīrīšanas vai apkopes atvienojiet strāvas vadu un pagaidiet, kamēr visas kustīgās daļas apstājas. Ja šos noteikumus neievēro, tad ir iespējamas smagas traumas vai ievērojami materiālie zaudējumi.

Tirot plastmasas detaļas, nelietojiet šķīdinātājus. Komerciniai tirpikļai lengvai pažeidžia daugelį plastikinių dalių paviršiu ir gali jas apgadinti. Lietojiet tīru audumu, lai notīrītu netīrumus, putekļus, smērvielas u.c.

▲ BRĪDINĀJUMS

Neļaujiet bremžu šķidrums, benzīnam, naftas produktiem, smērvielām u.c. saskarties ar plastmasas detaļām. Ķīmikālijas var sabojāt, novājināt vai iznīcināt plastmasas detaļas.

▲ BRĪDINĀJUMS

Tapas ir asas. Esiet uzmanīgi un valkājiet izturīgus cimdus, kas pievienojāt, nomaināt, tīrīt vai pārbaudāt skrūves drošību.

- Pēc katras lietošanas, tīriet preces korpusu un rokturus ar mitstu sausu drānu un notīriet netīrumus no tapām ar cietu birsti.
- Regulāri pārbaudiet visus uzgriežņus, stiprinājumus un skrūves, lai pārliecinātos, ka tās ir cieši pievilktas un izstrādājums ir drošā darba stāvoklī.
- Pircējs var veikt tikai nomaināmo daļu sarakstā minēto labošanu vai nomaiņu. Visas citas daļas ir jānomaina pilnvarotam pakalpojumu centra,

OBJEKTĪVIE RISKI

Pat ka prece ir lietotā kā noteikts, nav iespējams pilnībā novērst noteiktus riska

faktorus. Turpmāk norādītie riski var rasties lietošanas laikā un operatoram īpaša uzmanība jāpievērš, lai izvairītos no turpmāk minētā:

- Saskare ar tapām.
- Vibrācijas radīts ievainojums. Turiet precī aiz paredzētajiem rokturiem un ierobežojiet darba laiku, un pakļaušanu.
- Saskarsme ar troksni var radīt dzirdes traucējumus. Valkājiet ausu aizsargu un ierobežojiet saskarsmi.
- Acu savainojumi lidojošu atkritumu dēļ. Vienmēr nēsājiet acu aizsardzību.

RISKA SAMAZINĀŠANA

Ir ziņots, ka rokās turamu preču vibrācijas dažām personām var veicināt „Reino sindromu”. Simptomi var ietvert pirkstu tinkšķēšanu, nejutīgumu un nobālēšanu, parasti aukstā laikā. Tiek uzskatīts, ka tradicionālie faktori, aukstums un mitrums, uzturs, smēķēšana un darba prakse sekmē šo simptomu attīstību. Operators var veikt pasākumus, lai iespējami samazinātu vibrācijas efektu:

- Aukstā laikā ķermenim jābūt siltam. Kad darbināt precī valkājiet cimdus, lai rokas un plaukstu locītavas būtu siltas. Ir pētījumi, ka auksts laiks ir galvenais faktors, kas veicina Reino sindromu.
- Ik pēc laika apturiet darbu un veiciet vingrinājumus, kas uzlabo asins cirkulāciju.
- Strādājot jābūt biežiem pārtraukumiem. Ierobežojiet iedarbības ilgumu dienā.

Ja jūs izjūtat kādu no šiem simptomiem, nekavējoties apturiet ierīces lietošanu un sazinieties ar ārstu par šiem simptomiem.

▲ BRĪDINĀJUMS

Ilgstoša preces lietošana var radīt ievainojumus vai pasliktināt jau esošos. Ilgstoši lietojot jebkuru instrumentu, pārliecinieties, ka tiek veikti regulāri pārtraukumi.

PAZĪSTIET SAVU IERĪCI

Skatīt 137. lappusi

1. Rokturis
2. Slēdzis “ieslēgšana”/“apturēšana”
3. Ieslēgšanas/izslēgšanas slēdža svira

4. Strāvas vads
5. Motora vadības kabelis
6. Strāvas vada aizture
7. Motora vadības vada aizture
8. Priekšējais rokturis
9. Iekšējā tapa
10. Ārējā tapa
11. Ritenis
12. Vilkšanas stienis
13. Roktura slēdzis

UZ PRECES ESOŠIE SIMBOLI



Pirms preces darbināšanas izlasiet un izprotiet visus norādījumus, ievērojiet visus brīdinājumus un drošības norādījumus.



Lietojiet dzirdes aizsargus



Valkājiet acu aizsargaprīkojumu



Izņemiet spraudni no padeves tieši pirms apkopes vai ja vads ir bojāts, sagriezts vai sapinies.



Sargieties no izmestiem vai lidojošiem priekšmetiem. Rūpējieties, lai visi tuvumā stāvošie, īpaši bērni un dzīvnieki atrastos vismaz 15 m attālumā no darba zonas



Turiet rokas un kājas pa gabalu no rotējošām tapām



Parūpējieties, lai ierīces elastīgais vads neatrastos pie griešanas tapām.



Izlietotie elektroprodukti nedrīkst tikt izmesti kopā ar mājsaimecības atkritumiem. Lūdzu, nododiet tos attiecīgajās atk ār tās izmantošanas vietās. Sazinieties ar savu vietējo varas pārstāvi vai izplatītāju, lai noskaidrotu, kur iespējama atkārtota pārstrāde.



Darbarīks atbilst visām normām ES valstī, kurā tas ir iegādāts.



EurAsian atbilstības marķējums.



Garantētais skaņas jaudas līmenis ir 93 dB.

Šādi signālvārdi un nozīmes ir paredzētas, lai izskaidrotu ar precīzī saistītā riska līmeņus:

⚠ BĪSTAMI

Norāda draudošo bīstamo situāciju, kas, ja no tās neizvairās, var novest pie nāves vai nopietnas traumas.

⚠ BRĪDINĀJUMS

Norāda potenciālo bīstamo situāciju, kas, ja no tās neizvairās, var novest pie nāves vai nopietnas traumas.

⚠ UZMANĪBU

Norāda potenciālo bīstamo situāciju, kas, ja no tās neizvairās, var novest pie nelielas vai vidējas traumas.

UZMANĪBU

Bez drošības brīdinājuma apzīmējuma Norāda uz situāciju, kas var radīt īpašuma bojājumus.

SIMBOLI ŠAJĀ ROKASGRĀMATĀ



Pievienojiet enerģijas avotam



Atvienojiet no enerģijas avota



Atsevišķi nopērkamās daļas vai piederumi



PIEZĪME:



BRĪDINĀJUMS

NAUDOJIMO PASKIRTIS

Projektuojant elektrinį kultivatorių, didžiausias prioritetas suteiktas saugai, eksploatacinėms savybėms ir patikimumui.

Gaminys skirtas naudoti lauke, jį valdant stacioniai, einant. Saugos sumetimais, gaminys turi būti tinkamai valdomas visada dirbant abiem rankomis.

Gaminys skirtas kultivuoti arba purenti dirvą atviraime namų daržo plote. Maksimalus darbinis purenimo gaminio gylis yra 19.5 cm.

Gaminio jokiū būdu negalima naudoti, jeigu ratukai nesiekia žemės. Juo negalima važinėti. Gaminį reikia naudoti tik pagal šiame vadove pateiktus nurodymus ir tik pagal paskirtį.

BENDRIEJI SAUGOS ĮSPĖJIMAI

▲ ĮSPĖJIMAS

Būtina laikytis saugos reikalavimų naudojantis šiuo produktu. Dėl savo pačių ir šalia esančių asmenų saugumo, perskaitykite šias instrukcijas prieš pradėdami dirbti prietaisu. Šias instrukcijas reikia išsaugoti ateičiai.

▲ ĮSPĖJIMAS

Krūmapjovės negali naudoti vaikai ar asmenys su fiziniais, psichiniais ar jutiminiais sutrikimais. Vaikus reikia tinkamai prižiūrėti, kad jie nežaistų su krūmapjove.

▲ ĮSPĖJIMAS

Kai kuriuose regionuose taisyklės riboja įrenginio naudojimą. Kreipkitės patarimo į vietos įstaigą.

APMOKYMAS

- Šiogaminio jokiū būdu negalima leisti naudoti vaikams ar asmenims, nesusipažinusiems su šiomis instrukcijomis. Vietos įstatymai gali apriboti įrenginio operatoriaus amžių.
- Atidžiai perskaitykite instrukcijas. Būtina susipažinti su gaminio valdymo įtaisais ir tinkamo naudojimo nurodymais.
- Pašaliniai asmenys, vaikai ir gyvūnai turi būti 15 m atstumu nuo genėjimo vietos. Į apdirbamą plotą įėjus pašaliniam asmeniui, gaminį reikia sustabdyti.

- Gaminio jokiū būdu negalima naudoti pavargus, sergant ar apsvaigus nuo alkoholio, narkotinių medžiagų ar vaistų.
- Turėkite omenyje, kad operatorius arba vartotojas yra atsakingas už nelaimingus atsitikimus arba kitiems asmenims ar jų turtui sukeltą pavojų.

ELEKTROS SAUGA

- Maitinimo kištukai turi atitikti lizdą. Niekada nekeiskite kištuko. Su įžemintais (įžeminimo) elektriniais įrankiais niekada nenaudokite kištukų adapterių. Nepakeisti kištukai ir atitinkantys lizdai sumažina elektros smūgio pavojų.
- Stenkitės nesiliesti prie įžemintų ar įžeminimo paviršių (vamzdžių, radiatorių, grandinių / viryklių, šaldytuvų). Įžeminus savo kūną, padidės elektros smūgio pavojus.
- Nenaudokite gaminio, jeigu gali žaibuoti.
- Gaminio negalima naudoti ar laikyti lietuje ar drėgmėje. Į įrenginį patekęs vanduo padidina elektros smūgio pavojų.
- Elektros maitinimas turi būti paduodamas per prietaisą su srovės atjungimo (RCD), kurio išsijungimo srovės riba neturi būti didesnė, nei 30 mA.
- Kiekvieną kartą prieš naudojant įrenginį, būtina patikrinti, ar nepažeistas maitinimo laidas. Jeigu yra pažeidimo požymių, siekiant išvengti pavojaus laidą įgalotame techninės priežiūros centre turi pakeisti kvalifikuotas specialistas. Naudojant, maitinimo laidą reikia išvynioti: susukti į ritę laidai gali perkaisti.
- Jei reikia jungti pailginimo laidą, šis laidas turi būti tinkamas naudoti lauko sąlygomis, o srovė atitikti gaminio maitinimo parametrus. Pailginimo laidas turi būti paženklintas „H05 RN-F“ arba „H05 VV-F“. Prieš kiekvieną naudojimą patikrinkite, ar krūmapjovė nepakenkta. Naudojant, būtinai išvynioti laido ritę, nes susukti laidai gali perkaisti. Pažeistų pailginimo laidų nereikia taisyti: juos reikia keisti tolygiaus tipo laidais.
- Nenaudokite gaminio, jei elektros laidai apgadinti ar nusidėvėję.
- Jei maitinimo laidas ar prailginimo laidas naudojamosi metu būtų apgadintas, jį kuo skubiau išjunkite iš maitinimo lizdo. Nelieskite maitinimo laidų tol, kol

neišjungsite maitinimo iš lizdo.

- Maitinimo laidas turi būti ištiestas tokios padėties, kad jo nepažeistų akėtvirbaliai, ant jo nebūtų galima užminti, užkliūti ar kitaip pažeisti ar suspausti.
- Niekada netraukite už maitinimo laido norėdami prietaisą išjungti iš maitinimo.
- Saugokite maitinimo laidą nuo karščio, alyvos ir aštrių briaunų.
- Elektros įtampa turi atitikti gaminio parametrus. Pavadinimo plokštelėje ant gaminio nurodoma prietaiso įtampa. Niekada nejunkite produkto prie AC įtampos šaltinio, kurio skirtinga įtampa.

PARUOŠIMAS

- Naudodami šį įrenginį, dėvėkite pilną akių ir klausos apsaugą.
- Klausos apsauga gali riboti operatoriaus gebėjimą išgirsti įspėjamuosius garsus, kreipti konkretų dėmesį į potencialius pavojus aplink darbo plotą ir pačiame plote.
- Būtina mūvėti ilgus kelnes, avėti tvirtą, neslidžią avalynę ir mūvėti pirštines. Negalima dėvėti dukšlių drabužių, šortų ir papuošalų. Gaminio negalima naudoti basiems ar dėvint atvirus sandalus.
- Ilgus plaukus reikia susegti virš pečių lygio, kad neįsipaizintų į judančias dalis.
- Prieš naudodami įrenginį ir po bet kokio jo sutrenkimo patikrinkite, ar nėra pakenktų dalių. Siekiant išvengti pavojų, sugedusį jungiklį ar pažeistas arba susidėvėjusias dalis reikia tinkamai sutaisyti arba pakeisti; šiuos darbus turi atlikti įgalioto techninės priežiūros centro personalas.
- Gaminio jokių būdu negalima naudoti, jeigu nėra tinkamai pritvirtinti apsauginiai įtaisai, kreiptuvai ir rankenos.
- Prieš kiekvieną naudojimą reikia patvirtinti akėtvirbalius. Kai būtina, akėtvirbalius reikia pakeisti naujais. Dėl susidėvėjusių akėtvirbalių pablogėja gaminio eksploatacinės savybės ir perkraunamas variklis.
- Reikia atsižvelgti į darbo aplinkos ypatybes. Darbo aplinkoje negali mėtytis laidai, pagaliai, akmenys ir nuolaužos, kurios įstrigę tarp akėtvirbalių, ištykšta į visas puses.

KULTIVATORIAUS SAUGOS ĮSPĖJIMAI

- Dirbant dulketomis sąlygomis, reikia dėvėti apsauginį veido skydelį, kad į kvėpavimo takus nepatektų dulkių.
- Šlaituose gaminį reikia stumti skersai, jokių būdu ne aukštyn ir žemyn šlaito. Būkite itin atsargūs ant šlaitų keisdami kryptį.
- Gaminį stumiant atbula eiga arba traukiant reikia būti ypatingai atsargiems.
- Jokių būdu negalima kelti gaminio ar jį nešti veikiant varikliui.
- Gaminio negalima naudoti arti požeminių laidų, telefono linijų, vamzdžių ar žarnų.
- Gaminį galima naudoti tik dienos šviesoje arba esant geram dirbtiniam apšvietimui.
- Visada turi būti išlaikyta tinkama kojų atrama ir pusiausvyra, ypač stovint ant šlaito.
- Pjaudami, neikite atbulomis.
- Naudojant gaminį reikia eiti, jokių būdu nebėgti.
- Nenaudokite prietaiso arti skardžių, griovių, lapai stačių šlaitų ar pylimų. Galite paslysti ir pargriūti.
- Dirbant sunkiai įdirbamą dirvą, reikia būti ypatingai atsargiems. Jeigu dirva labai kieta, kelios dienos prieš kultivuojant ją reikia palaistyti.
- Reikia vengti dirbti tižią ar drėgną dirvą. Po liūtis reikia palaukti dieną ar kelias dienas, kol dirva pradžius.
- Rankas ir kojas reikia laikyti atokiai nuo besisukančių akėtvirbalių, ypač įjungiant variklį.
- Reikia saugotis nuolaužų, ištykstančių iš po besisukančių akėtvirbalių. Prieš pradėdami darbą, iš darbo ploto pašalinkite nuolaužas, tokias kaip nedideli akmenukai, žvyras ir kiti pašaliniai daiktai. Į besisukančius akėtvirbalius gali įsipaizinti laidai ar lynas.
- Būkite atsargūs; išjungus variklį akėtvirbaliai dar kurį laiką sukasi.
- Išjunkite įrenginį ir atjunkite jį nuo maitinimo, palaukite, kol judamosios dalys visiškai sustos, tik tada:
 - aptarnavimas
 - gaminio palikimas be priežiūros
 - įrenginio valymas arba kamščių naikinimas

EN
FR
DE
ES
IT
NL
PT
DA
SV
FI
NO
RU
PL
CS
HU
RO
LV
LT
ET
HR
SL
SK
BG

- priedų keitimas
- patikrinkite, ar prietaisas neapgadintas po sutrenkimo į kitą daiktą
- patikrinkite šį gaminį dėl apgadavimo, jei jis pradeda neįprastai vibruoti
- techninės priežiūros atlikimas
- Visada patikrinkite, ar ventiliavimo angos nėra užsikūlusios atliekomis.
- Visi apsauginiai įtaisai turi būti sumontuoti ir geros būklės.
- Gaminio joku būdu negalima modifikuoti, nes tai didina pavojų susižeisti arba sužeisti kitus.

⚠ ATSARGIAI

Akėtvirbaliams atsitrenkus į ypatingai tvirtai sutankintą (kieta) dirvą, sušalusį gruntą ar didelius akmenis, šaknis ir kelmus, gaminys gali smarkiai atšokti nuo dirvos ir (arba) pašokti į priekį.

⚠ ATSARGIAI

Prieš perkeliant gaminį iš vieno ploto į kitą, reikia išjungti variklį ir palaukti, kol akėtvirbaliai visiškai liausis sukęsi. Perkeliant gaminį reikia stebėti, kad akėtvirbaliai neliestų grunto. Akėtvirbalius kaip ir patį gaminį galima apgadinti net jeigu variklis išjungtas.

NAUDOJIMO PATARIMAI

- Kad pavojus susižeisti palietus judančias dalis ar ištiškus nuolaužoms būtų kuo mažesnis, naudojant gaminį, būtina stovėti už vairalazdės. Kai gaminys veikia, joku būdu negalima stovėti greta jo arba priešais vairalazdę.
- Visada dėvėkite akių apsaugos priemones. Naudojant gaminį būtina avėti neslidžią avalynę.
- Gaminiai pjaunant ir raunant po žeme esančius augalus bei šaknis, akėtvirbaliai gali įspainioti tankioje augmenijoje arba ražienose po žeme. Prieš kultivuojant, plotą reikia išvalyti krūmapjove ar panašiu įtaisu ir paruošti dirvą nuo jos paviršiaus pašalinant stambesnius pašalinius objektus (pvz., akmenis, plytas ir metalo strypus).

- Rankas ir kojas laikydami atokiai nuo akėtvirbalių, paspausdami jungiklio užraktą ir jį/išj. jungiklį, paleiskite variklį; paleidžiant variklį, akėtvirbaliai turi šiek tiek nesiekti grunto. Tvirtai laikydami vairalazdes, nuleiskite akėtvirbalius ant žemės. Jeigu dirva labai kieta, nuleidžiant akėtvirbalius gaminys gali truktelėti į priekį. Stenkitės gaminį sulaukyti, kad netruknelėtų į priekį ir akėtvirbaliai turėtų įsirausti į dirvą. Jeigu akėtvirbaliai neįsirausia į dirvą, truktelėkite kultivatorių atgal ir pirmyn (pakanka apie 20 cm) arba truputį palinguokite vairalazdę aukštin ir žemyn, kad akėtvirbaliai įsiraustų į darbinį gylį.
- Akėtvirbalių gylį grunte galima kaitalioti pastumiant ratukus arčiau arba toliau nuo akėtvirbalių. Akėtvirbaliams įsirausęs dirvoje į reikiamą gylį, lėtai pastumkite gaminį į priekį, kad variklis atliktų savo funkciją. Akėtvirbaliams atsitrenkus į pernelyg kieta daiktą, kad būtų galima judėti ar pjauti, gaminys gali pasikelti, kad akėtvirbaliai pravažiuotų kliūtį iš viršaus. Sustabdykite gaminį ir palaukite, kol akėtvirbaliai liausis judėti; tik tada aiškinkitės, į kokią kliūtį jie atsitrenkė arba mėginkite tą kliūtį pašalinti.
- Jeigu dirva, kurią ketinama kultivuoti, pernelyg kieta ar sausa, ją patartina palaistyti, tačiau nereikia jos laistyti gausiai, kad nepatiltų; taip pat prieš pradendant kultivuoti dirvą, reikia palaukti, kol vanduo prasiskverbs giliau, o perteklius išdžius.

GABENIMAS IR LAIKYMAS

- Prietaisą laikykite visada išjungę iš maitinimo lizdo ir suvynioję laidą.
- Prieš padedant į sandėlį arba išgabenant, kultivatorių reikia sustabdyti ir palaukti, kol jis atšals.
- Nuo įrankio nuvalykite visas pašalines medžiagas. Laikykite vėsoje, sausoje, gerai vėdinamoje ir vaikams nepasiekiamoje vietoje. Nelaikykite jo arti nuo tokių koroziją sukeliančių reagentų kaip cheminės sodininkystės medžiagos arba druskos, naudojamos prieš apledėjimą. Nelaikykite lauke.
- Kad akėtvirbaliai nerūdytų, juos reikia nušluostyti alyva suvilgyta skiaute arba nupurkšti silikono tepalu. Saugokitės aštrių ar pažeistų akėtvirbalių briaunų.

- Sutepkite alyva visas matomas judamąsias dalis. Nenuimkite variklio gaubto.
- Ruošiant gabenimui, gaminį reikia įtvirtinti, kad nejudėtų arba nenukristų, taip apsaugant žmones nuo sužeidimų ir gaminį nuo apgadinių.
- Gaminio negalima nešti paėmus už apsauginio įtaiso. Gaminį galima laikyti ar nešti tik paėmus už vairalazdės arba priekinės rankenos.

PRIEŽIŪRA

▲ ĮSPĖJIMAS

Keitimui naudokite tik originalias gamintojo atsargines dalis. Neoriginalios dalys gali būti sužeidimų ir įrenginio blogo veikimo priežastis, ir dėl to gali būti anuliuotas garantinis pažymėjimas.

▲ ĮSPĖJIMAS

Prieš gaminį apžiūrint, valant ar atliekant priežiūros darbus, reikia išjungti maitinimo laidą iš tinklo ir palaukti, kol visos judančios dalys sustos. Šių nurodymų nesilaikymas gali tapti sunkių sužalojimų ar didelių materialinių nuostolių priežastimi.

Valydami plastikinės detales, nenaudokite tirpiklių. Komerciniai tirpikliai lengvai pažeidžia daugelį plastikinių dalių paviršių ir gali jas apgadinti. Valydami purvą, dulkes, tepalus, alyvas ir t. t., naudokite švarias šluostes.

▲ ĮSPĖJIMAS

Neleiskite stabdžių skysčiams, benzinui, naftos produktams, persisunkiantiems tepalams ir kt. susiliesti su plastikinėmis dalimis. Juose yra chemikalų, kurie gali sugadinti, pažeisti arba susilpninti plastiką.

▲ ĮSPĖJIMAS

Akėtvirbaliai aštrūs. Montuojant, keičiant dalis, valant ar tikrinant varžtų įsukimo tvirtumą, reikia būti atsargiems ir mūvėti patvarias pirštines.

- Kiekvieną kartą gaminį panaudojus reikia nuvalyti jo korpusą ir rankenas minkšta sausa audinio skiaute, o visus nešvarumus nuo akėtvirbalių nušveisti standžiu šepetiu.

- Dažnai tikrinkite visas veržles, varžtus ir sraigtus, ar jie tvirtai laikosi ir ar gaminyje yra saugios darbo būklės stovyje.
- Naudotojas savarankiškai gali taisyti ar keisti tik atsarginių dalių sąrašė nurodytas dalys. Kitas dalis gali keisti tik įgalioto techninės priežiūros centro personalas.

ŠALUTINIAI PAVOJAI

Net naudojant gaminį pagal nurodymus, neįmanoma visiškai atmesti visų pavojaus veiksnių. Naudojant gaminį gali kilti toliau išvardinti pavojai ir naudotojas turi kreipti ypatingą dėmesį, kad jų išvengtų:

- Sąlytis su akėtvirbaliais.
- Vibracijos sukeltas sužalojimas. Laikyti gaminį už tam skirtų rankenų ir riboti darbo laiką bei buvimą sveikatai žalingoje aplinkoje.
- Ilgai būnant triukšme, galima pakenkti klausą. Dėvėkite akių apsaugą ir ribokite poveikio trukmę.
- Akių traumos dėl ištiškusių nuolaužų. Būtinai dėvėti akių apsaugą.

RIZIKOS MAŽINIMAS

Nustatyta, kad rankinių įtaisų keliamo vibracija kai kuriems asmenims paskatina Reino sindromo vystymąsi. Šios ligos požymiai yra pirštų dilgčiojimas, nutirpimas ir pabalimas, paprastai pasireiškiantis nuo šalčio. Šie simptomai vystosi dėl paveldimų veiksnių, nesisaugant nuo šalčio ir drėgmės, dėl mitybos, rūkymo ir darbo praktikos. Operatorius gali imtis šių priemonių, kurios gali sumažinti vibracijos poveikį:

- Apsirenkite kuo šilčiau šaltu oru. Naudojant gaminį, reikia mūvėti pirštines, kad plaštakos ir riešai neatšaltų. Turime pranešimų, kad Raynaud sindromas labiausiai vystosi nuo šalto oro sąlygų.
- po darbo kiekvieną kartą pasportuokite, kad pagerėtų kraujotaka;
- dažnai darykite darbo pertraukas. Atribokite darbo laikotarpį per dieną.

Jei jums pasireiškia kokie nors šios būklės simptomai, nedelsdami nutraukite darbą ir kreipkitės į gydytoją.

⚠ ĮSPĖJIMAS

Ilgiau naudojant, įrankis kelia sužeidimų pavojų ir apsunkina darbą. Ilgiau naudojant įrankius, reikia reguliariai daryti pertraukas.

PAŽINKITE SAVO GRANDININĮ PJŪKLĄ

Žr. 137 psl.

1. Rankena
2. ĮJUNGIMO/IŠJUNGIMO jungiklis
3. Įj./išj. jungiklio užraktas
4. Maitinimo laidas
5. Variklio valdymo droselis
6. Maitinimo laido fiksatorius–laikiklis
7. Variklio valdymo laido fiksatorius–laikiklis
8. Priekinė rankena
9. Vidinis akėtvirbalis
10. Išorinis akėtvirbalis
11. Ratas
12. Sunkių akėčių valkties mietas
13. Vairalazdės mygtukas–galvelė

SIMBOLIAI ANT ĮRENGINIO



Prieš naudodami įrenginį, atidžiai perskaitykite instrukcijas, laikykitės įspėjimų ir saugos nurodymų.



Wear ear protection



Dėvėkite apsauginius akinius



Prieš atliekant priežiūros darbus arba jeigu laidas pažeistas, įpjautas ar įsinarpliojęs, reikia nedelsiant ištraukti kištuką iš elektros maitinimo tinklo.



Saugokitės išmetamų arba skrendančių objektų. Visi pašaliniai asmenys, ypač vaikai ir naminiai gyvūnai, turi būti ne arčiau kaip 15 m nuo darbo vietos.



Kojos ir rankos turi būti atokiai nuo besisukančių akėtvirbalių.



Lankstusis maitinimo laidas turi būti atokiai nuo pjaunančių akėtvirbalių.



Elektrinių produktų atliekos neturi būti metamos kartu su namų ūkio atliekomis. Prašome perdirbkite jas ten, kur yra tokios perdirbimo bazės. Dėl perdirbimo patarimo kreipkitės į savo vietinę savivaldybę ar pardavėją.



Šis prietaisas atitinka visas reglamentuotas normas ES šalies, kur jis buvo nupirktas.



„EurAsian“ atitikties ženklas.



Garantuotas garso galios lygis yra 93 dB.

Toliau pateikti signaliniai žodžiai skirti paaikškinti rizikos, susijusios su gaminiu, lygius:

⚠ PAVOJUS

Reiškia ypač pavojingą padėtį, kurios neišvengus bus patirti sunkūs ar net mirtini sužeidimai.

⚠ ĮSPĖJIMAS

Reiškia potencialiai pavojingą situaciją, kurios neišvengus galimi sunkūs ar net mirtini sužeidimai.

⚠ ATSARGIAI

Reiškia potencialiai pavojingą situaciją, kurios neišvengus galimi lengvi ar vidutinio sunkumo sužeidimai.

ATSARGIAI

Be įspėjamųjų simbolių
Reiškia nuosavybės žalos tikimybę.

SIMBOLIAI VADOVE



Pajunkite į maitinimo lizdą



Išjunkite iš maitinimo lizdo



Detalės arba priedai yra parduodami atskirai



PASTABA:



ĮSPĖJIMAS

EN
FR
DE
ES
IT
NL
PT
DA
SV
FI
NO
RU
PL
CS
HU
RO
LV
LT
ET
HR
SL
SK
BG

OTSTARBEKOHANE KASUTAMINE

Elektrilise kultivaatori konstrueerimisel on peaeesmärgiks olnud toote ohutus, tootlikkus ja töökindlus.

Kultivaator on ette nähtud kasutamiseks vaid väljaspool ruume püstiseisva operaatori poolt edasi lükatuna. Ohutuse tagamiseks peab saagi kasutamise ajal kogu aeg hoidma kahe käega.

Kultivaator on ette nähtud pinnase kultiveerimiseks ja kobestamiseks koduaia avamaal. Kultivaatori maksimaalne töösügavus on 19.5 cm.

Kultivaatorit ei tohi kunagi nii kasutada, et rattad on maapinna kohal. Ärge astuge kultivaatori peale. Kultivaatorit tuleb kasutada selles kasutusjuhendis kirjeldatud viisil, seda ei tohi kasutada mingiks muuks otstarbeks.

OHUTUSE ÜLDEESKIRJAD

⚠ HOIATUS

Seadme kasutamisel tuleb järgida ohutusreegleid. Teie ja kõrvalseisjatele ohutuse tagamiseks lugege käesolevad juhised enne seadme kasutamist läbi. Hoidke juhend edaspidiseks kasutamiseks alles.

⚠ HOIATUS

Seade ei ole ette nähtud kasutamiseks laste või nende isikute poolt, kellel on piiratud füüsilised, vaimsed või sensoorsed võimed. Laste järele tuleb piisavalt valvata, et nad seadmega ei mängiks.

⚠ HOIATUS

Mõnedes piirkondades on seadused, mis piiravad selle toote kasutamist. Lisateavet saate kohalikust omavalitsusest.

VÄLJAÕPE

- Ärge laske kultivaatorit kasutada lastel ega neil, kes ei ole käesoleva juhendiga tutvunud. Kohalikud regulatsioonid võivad seada kasutaja vanusele piiranguid.
- Lugege juhised hoolikalt läbi. Õppige tundma kõiki seadme juhtseadiseid ja kasutusnõudeid.
- Hoidke kõik kõrvalseisjad, lapsed ja

lemmikloomad tööalalt vähemalt 15 meetri kaugusele. Kui keegi tööpiirkonda siseneb, siis seisake kultivaator.

- Ärge kasutage kultivaatorit väsinuna või haigena ega siis, kui olete uimastite, alkoholi või ravimite mõju all.
- Pidage meeles, et operaator või kasutaja on vastutav õnnetuste või ohuolukordade eest, mis võivad puudutada teisi inimesi või nende vara.

ELEKTRIOHUTUS

- Toitepistikud peavad pistikupessa sobima. Ärge püüdke pistiku konstruktsiooni mingil moel muuta. Ärge ühendage maanduskontaktiga (kordusmaandusega) elektritööriistu elektrivõrku läbi vahepistmike. Pistiku ja pistikupesa konstruktsiooni muutmise korral tekib elektrilöögi oht.
- Hoiduge kehalisest kontaktist maandatud pindadega, näiteks torud, radiaatorid, elektripliidid ja külmikud. Kehaosade maandamisel suureneb elektrilöögi saamise oht.
- Ärge kasutage toodet kui on äikese oht.
- Ärge jätke kultivaatorit vihma kätte või märga kohta. Vee sattumisel seadme sisemusse suureneb elektrilöögi saamise oht.
- Elektriline tööriist tuleb ühendada vooluvõrku läbi rikkevoolu-kaitseüliliiti (RCD), mille rakendumisvoolu tugevus on maksimaalselt 30 mA.
- Enne iga kasutuskorda kontrollige toitejuhe üle vigastuste suhtes. Kui on vigastumise märke, tuleb ohu vältimiseks see asendada heakskiidetud teeninduskeskuses pädeva elektrikri poolt. Kerige toitejuhe alati lahti, sest kokku keeratud juhe võib üle kuumeneda.
- Kui teil on vaja kasutada pikendusjuhet, veenduge et see on välistingimuste jaoks sobiv ja teie tööriista jaoks piisava ristlõikega. Pikenduskaablitel peab olema markeering "H05 RN-F" või "H05 VV-F". Kontrollige seda enne iga kasutamist vigastuste suhtes. Kerige see alati lahti, sest kokku keeratud juhe võib üle kuumeneda. Ärge hakake vigastatud pikendusjuhet parandama, vaid asendage teise sobivat tüüpi juhtmega.
- Kui kahtlustate, et elektrijuhe on mingil

moel vigastada saanud, siis ärge toodet kasutage.

- Kui toitejuhe või pikendusjuhe saab kasutamise ajal vigastada, ühendage seade toitevõrgust kohe välja. Ärge puudutage elektrijuhtmeid enne, kui toide on lahti ühendatud.
- Veenduge, et toitejuhe asetseb nii, et see ei saa lõiketerade poolt vigastada, sellele ei saa peale astuda, komistada ja see ei saa mingil muul viisil vigastada ega sattuda tõmbepingele alla.
- Ärge kunagi ühendage toitejuhet lahti sellest tõmmates.
- Hoidke toitejuhe eemal kuumusest, õlist ja teravatest servadest.
- Veenduge, et võrgupinge vastab seadmel kasutatavale pingele. Toote tehasesildil on näidatud kasutatav pingevahemik. Ärge mingil juhul ühendage seadet AC-võrku, millel on sellest erinev pinge.

ETTEVALMISTUSTOIMINGUD

- Kandke selle seadme kasutamisel kaitseprille ja kõrvaklappe.
- Kuulmiskaitse võib piirata kasutaja võimet kuulda hoiatussignaale, seetõttu pöörake tähelepanu tööpiirkonnas ja selle ümbruses olevatele ohtudele.
- Kandke tugevast riidest pikki pükse, tugevaid mittelibisevaid jalanõusid ja kindaid. Ärge kandke lõtvu riideid, lühikesi pükse ega mingeid ehteid. Ärge kasutage kultivaatorit paljajalu ega kandke lahtisi sandaale.
- Kinnitage pikad juuksed õlgadest kõrgemale, et vältida nende takerdumist liikuvate osade vahele.
- Enne töötamise alustamist kontrollige, et seadme osad ei ole vigastatud. Vigastatud lüliti ja vigastatud või kulumud osad tuleb lasta heakskiidetud hoolduskeskuses parandada või asendada, et vältida ohtusid.
- Ärge hakake masinat enne kasutama, kui olete veendunud, et kõik kaitsed, suunajad ja käepidemed on õigesti ja ohutult kinnitatud.
- Enne kasutamise alustamist tuleb lõiketerad üle kontrollida. Asendage vajadusel lõiketerade komplektid uutega. Kulumud lõiketerad halvendavad tootlust ja mootori ülekoormust.

- Arvestage keskkonnaga, milles te töötate. Hoidke töökoht vaba traatidest, vaiadest, kividest ja prahist, mis võivad lõiketeradega kokku puutudes välja paiskuda.

KULTIVAATORI OHUTUSE ÜLDEESKIRJAD

- Tolmustes tingimustes töötamisel kandke tolumaski, et vähendada tolmu sissehingamisest põhjustatud tervisekahjustusi.
- Töötamisel suunduge piki kallakut, mitte aga üles või alla. Olge ülimalt ettevaatlik, kui muudate kallakul olles suunda.
- Tagurpidi liikudes või kultivaatorit tõmmates olge äärmiselt ettevaatlik.
- Ärge mingil juhul mootori töötamise ajal kultivaatorit üles tõstke ega kandke.
- Ärge kasutage kultivaatorit maa-aluste elektrikaablite, telefoniliinide, torude ja voolikute läheduses.
- Kasutage kultivaatorit ainult päevalguses või hästivalgustatud kohas.
- Hoidke end pidevalt jalgadel ja tasakaalus, eriti kallakul.
- Ärge liikuge seadme kasutamisel selg ees.
- Töötage kõnnikiirusel, ärge masinaga jookske.
- Ärge püüdke niita järsakute ja kraavide serval või suurel kaldel ja teetammidel. Halb jalgade asend võib põhjustada libisemist ja kukkumist.
- Olge raskel pinnasel töötamisel äärmiselt ettevaatlik. Kui pinnas on väga kõva, siis niisutage seda mõned päevad enne kultiveerimist.
- Vältige töötamist kui pinnas on märg. Pärast suurt vihma laske pinnasel paar päeva kuivada.
- Hoidke käed ja jalad pöörlevatest lõiketeradest eemal, jälgige seda eriti mootori käivitamise ajal.
- Hoidke eemale pöörlevate lõiketerade poolt ülespaisatud esemete eest. Enne töö alustamist puhastage tööpiirkond väikestest kividest, kruusast ja muust lahtisest materjalist. Traadid ja nõõrid võivad takerduda pöörlevatesse lõiketeradesse.
- Ettevaatust; lõiketerad jätkavad pöörlemist ka siis, kui mootor on välja lülitatud.

EN
FR
DE
ES
IT
NL
PT
DA
SV
FI
NO
RU
PL
CS
HU
RO
LV
LT
ET
HR
SL
SK
BG

- Lülitage toitepinge välja ja võtke pistik pistikupesast välja ning oodake liikuvate osade seiskumist enne järgmisi toiminguid.
 - teenindamine
 - toote jätmisel järelevalveta
 - puhastamine ja ummistuse kõrvaldamine
 - lisatarvikute vahetamine
 - kõikide vigastuste ülekontrollimine pärast lööki mõne eseme vastu
 - kõikide vigastuste ülekontrollimine kui toode hakkab ebanormaalselt vibreerima
 - hooldustööde tegemine
- Veenduge, et ventilatsiooniavad on kogu aeg prahist puhtad.
- Veenduge, et kõik ohutusseadised on paigaldatud ja heas seisundis.
- Ärge muutke seadme konstruktsiooni mingil moel, sellega suurendate iseenda ja kõrvalseisjate kehavigastuste ohtu.

▲ ETTEVAATUST

Seade võib ootamatult üles pörkuda või edasi hüpata kui lõiketera satub vastu väga kõva ja paakunud või külmunud pinnast või vastu takistust, näiteks suured kivid, puujuured või -tüükad.

▲ ETTEVAATUST

Enne seadme teisaldamist lülitage seadme mootor välja ja oodake kuni lõiketerad lõplikult seiskuvad. Olge seadme liigutamisel ettevaatlik, et mitte lasta lõikerasid maapinda puudutada. Isegi väljalülitatud mootori korral võite end vastu lõiketerasid või vastu kultivaatorit vigastada.

TÖÖVÕTTED

- Juht peab asuma juhtraua taga, et vähendada vigastumise ohtu liikuvate osade või neilt väljapaiskuvate objektidega. Ärge mingil juhul viibige töötamise ajal seadme küljel või juhtrauast eespool.
- Kandke alati silmakaitsevahendeid. Kandke selle seadme kasutamisel alati libisemiskindlaid turvajalatsaid.
- Maa-alustest taimeosade ja juurtest puhastamisel võivad tugevad kasvud

ning maapealsed tüükad lõiketerade külge kinni jääda. Puhastage kultiveeritav ala võsatriimmeriga või muude sarnaste vahenditega ja valmistage pind ette suurest prahist (nt kivid, tellised ja metallpostid) puhastamisega.

- Hoidke käed ja jalad lõiketeradest eemal ja käivitage mootor lukustit ja sisse-/väljalülitamise lüliti vajutades, hoides lõiketerad maapinna kohal. Hoidke juhtrauast kindlalt kinni ja langetage lõiketerad maapinnale. Sellel hetkel võib kultivaator püüda end edasi vedada, sõltuvalt maapinna kõvadusest. Hoidke kultivaatorit edasi liikumise eest, lõiketerad hakkavad kaevama end maapinna sisse. Kui seda ei juhtu, liigutage kultivaatorit edasi-tagasi (piisab umbest 20 cm) või tehke juhtrauaga kergeid edasi-tagasi ja üles-alla liikumisi, et aidata lõiketeradel saavutada töösügavus.
- Saate muuta lõiketerade töösügavust, kui liigutate rattaid lõiketeradele lähemale või kaugemale. Kui lõiketerad on pinnases soovitud sügavusel, lükake kultivaatorit aeglaselt edasi ja lastes mootoril töötada. Kui lõiketerad pörkuvad vastu objekti, mida on liiga raske liigutada või läbi lõigata, võib kultivaator üles tõusta, sest lõiketerad püüavad liikuda üle takistuse. Seisake mootor ja laske lõiketeradel liikumine lõpetada, enne kui hakkate takistust uurima või eemaldama.
- Kui kultiveeritav maapind on liiga kõva või kuiv, oleks hea maapinda niisutada, kuid ärge leotage seda täielikult läbi ja laske veel maapinda imbuda ning liigveel ära voolata, enne kui kultiveerimist alustate.

TRANSPORTIMINE JA HOIUSTAMINE

- Hoiustamise ajaks ühendage seade toitevõrgust välja ja kerige juhe kokku.
- Enne hoiule paneku või teisaldamise alustamist seisake mootor.
- Puhastage seade kõikidest võõrkehadest. Hoidke kuivas ja hästi ventileeritud kohas, mis on lastele juurdepääsmatu. Hoidke kettsaagi eemal söövitavatest ainetest nagu aiakemikaalid ja jäätõrjevahendid. Ärge hoiustage õues.
- Lõiketerade roostetamise vältimiseks pühkige need õlise lapiga üle või pihustage siikoonõli. Olge ettevaatlik teravate ja

- vigastatud piide suhtes.
- Õlitage kõik nähtavad liikuvad osad. Ärge võtke mootorikatet maha.
- Vedamise ajal tõkestage kultivaator liikuma hakkamise ja alla kukkumise vastu, et vältida kehavigastusi ja masinaosade kahjustamist.
- Ärge kandke kultivaatorit juhtmest hoides. Ärge tõstke või kandke kultivaatorit juhttraust või eesmisest käepidemest.

HOOLDUS

⚠ HOIATUS

Kasutage ainult tootja originaalvaruosi, tarvikuid ja tööorganeid. Selle nõude eiramine võib põhjustada, kehavigastuse, tootluse languse ja teile antud garantii tühistamise.

⚠ HOIATUS

Enne masina kontrollimist, puhastamist või hooldamist võtke pistik välja ja oodake kõikide liikuvate osade seiskumist. Nende ohutuseeskirjade mittejärgimine võib kaasa tuua raskeid kehavigastusi või vara kahjustamise.

Vältige plastosade puhastamisel lahustite kasutamist. Enamik plastikuid on erinevat tüüpi poes müüdavate lahuste kahjustuste suhtes altid ja võivad saada neid kasutades kahjustatud. Mustusest, tolmust, õlist, määrdest jne puhastamiseks kasutage puhast riidelappi.

⚠ HOIATUS

Ärge laske plastosadel mitte mingil juhul sattuda kokkupuutesse auto pidurivedeliku, bensiini, bensiinipõhiste toodete, immutusõlidega või muude samalaadsete vedelikega. Kemikaalid võivad kahjustada, nõrgendada või hävitada plastiku.

⚠ HOIATUS

Lõiketerad on teravad. Olge nende paigaldamise, asendamise ja kinnituspoldi kinnituse kontrollimise ajal väga ettevaatlik ning kandke tugevdatud kaitsekindaid.

- Pärast iga kasutuskorda pühkige seadme korpus ja käepidemed pehme kuiva lapiga puhtaks ning puhastage lõiketerad jäiga harjaga.
- Kontrollige kõiki mutreid, polte ja kruvisid sagedaste intervallidega õige pinguloleku suhtes, et veenduda toote ohutus töökorras olemises.
- Kasutaja tohib vahetada või parandada ainult neid osi, mis on varuosade loetelus tähistatud. Kõiki muid osi tohib vahetada ainult volitatud hoolduskeskuses.

JÄÄKRISKID

Isegi siis, kui kultivaatorit kasutatakse kirjeldatud viisil, ei ole võimalik kõrvaldada kõiki jääkriskide mõjureid. Töötamise ajal võivad tekkida järgmised ohud, millele operaator peab pöörama erilist tähelepanu.

- Kokkupuude lõiketeradega.
- Vibratsioonist põhjustatud kehavigastus. Hoidke kultivaatorit kinni selleks ette nähtud käepidemetest ja piirake tööaega ning vibratsiooniga kokkupuudet.
- Tugev müra võib põhjustada kuulmiskahjustuse. Kandke kuulmiskaitsevahendeid ja piirake müraga kokkupuudet.
- Silmade vigastamise oht lendavast prahist. Kandke alati silmakaitsevahendeid.

RISKI ALANDAMINE

Teadaolevalt võib käsitööriistade kasutamine põhjustada mõnedel inimestel seisundit, mida nimetatakse Raynaud' sündroomiks. Sümptomidena võib ilmneda sõrmede tuimus ja valkjaks muutumine, mis tavaliselt ilmneb külmas töötamisel. Nende sümptomite puhul tuleb hoiduda külmast ja niiskusest, dieedist ning suitsetamisest ja kasutada õigeid töövõtteid. Vibratsiooni mõju vähendamiseks tuleb rakendada järgmisi abinõusid.

- Külma ilmaga hoidke oma keha soe. Kandke kindaid, et hoida oma käed ja randmed soojad. Uuringud näitavad, et Raynaud's Syndrome ilmneb põhiliselt külma ilmaga.
- Pärast külmas töötamist tehke harjutusi, et verevarustust kiirendada.
- Tehke regulaarselt töövaheaegasid. Piirake tööperioodi pikkust.

Kui ilmnevad haigustunnused, lõpetage kohe töö ja pöörduge arsti poole.

⚠ HOIATUS

Seadme pikaajalisel kasutamisel võite saada kehavigastusi ja varasemad vigastused võivad süveneda. Seadme kasutamisel pika aja jooksul tuleb teha korralisi vaheaegasid.

ÕPPIGE OMA TOODET TUNDMA

Vt leht 137.

1. Käepide
2. SISSE/VÄLJA lüliti
3. Sisse-/väljalülitamise lukusti
4. Toitejuhe
5. Mootori juhtimiskaabel
6. Toitejuhtme hoidik
7. Mootori juhtkaabli kinniti
8. Eesmine käepide
9. Seesmine lõiketera
10. Äärmine lõiketera
11. Ratas
12. Pidurduspii
13. Juhtraua nupp

MASINAL OLEVAD SÜMBOLID



Enne seadmega töö alustamist lugege kõik juhised hoolikalt läbi ja pidage kinni hoiatustest ja ohutusega seotud juhistest.



Kandke kuulmiskaitsevahendeid



Kandke silmakaitsevahendeid



Kui toitejuhe on vigastatud, sellel on sisselõikeid või see on keerdus, siis ühendage pistik vooluvõrgust enne parandamist kohe lahti.



Hoiduge ülespaisatud ja lendavate esemete eest. Hoidke kõik kõrvalseisjad, eriti lapsed ja lemmikloomad tööalalt vähemalt 15 meetri kaugusele.



Hoidke jalad ja käed pöörlevatest lõikeorganitest eemale.



Hoidke painduv toitejuhe lõiketeradest eemal.



Mittekasutatavaid elektritooteid ei tohi visata olmejäätmete hulka. Vaid tuleb viia vastavasse kogumispunkti. Vajadusel küsige sellekohast nõu oma edasimüüjalt või vastavalt kohaliku omavalitsuse institutsioonilt.

Vastab kõigile eeskirjadele EL-i liikmesriigis, kus toode on ostetud.



Euraasia vastavusmärk.



Garanteeritud helivõimsuse tase on 93 dB.

Järgnevad märksõnad ja selgitused on mõeldud selle toote kasutamisega seotud riskitasemete kirjeldamiseks.

⚠ OHT.

Viitab kohe tekkivale ohtlikule situatsioonile, mis, kui ei väldita, lõpeb surma või tõsise vigastusega.

⚠ HOIATUS

Viitab võimalikule ohtlikule situatsioonile, mis, kui ei väldita, võib lõppeda surma või tõsise vigastusega.

⚠ ETTEVAATUST

Viitab võimalikule ohtlikule situatsioonile, mis, kui ei väldita, võib lõppeda väiksemate või keskmiste vigastusega.

ETTEVAATUST

Ilma hoiatussümbolita
Osutab olukorrale, mis võib põhjustada varakahju.

KASUTUSJUHENDI SÜMBOLID



Ühendage pistikupessa



Võtke pistikupesast välja



Eraldi ostetavad osad või
tarvikud



MÄRKUS.



HOIATUS

EN

FR

DE

ES

IT

NL

PT

DA

SV

FI

NO

RU

PL

CS

HU

RO

LV

LT

ET

HR

SL

SK

BG

NAMJENA

U razvoju ovog električnog kultivatora dati su maksimalni prioriteta sigurnosti, performansama i pouzdanosti.

Ovaj proizvod namijenjen je samo za korištenje na otvorenom od strane operatera koji hoda s proizvodom. Zbog sigurnosnih razloga, proizvod mora biti adekvatno upravljivan pomoću dvije ruke u svakom trenutku.

Proizvod je namijenjen za kultiviranje i popuštanja tla na otvorenom domaćem vrtu. Maksimalna radna dubina proizvoda je 19.5 cm.

proizvod nikada ne smije raditi s podignutim kotačim od tla. Ne smije se voziti na njemu. Proizvod treba koristiti samo na način opisan u ovom priručniku i ne smije se koristiti u druge svrhe.

OPĆA SIGURNOSNA PRAVILA

⚠ UPOZORENJE

Prilikom korištenja proizvoda moraju se slijediti sigurnosna pravila. Radi vaše i sigurnosti ostalih promatrača, molimo vas da prije rada s proizvodom pročitate ove upute. Molimo vas da čuvate ovu uputu radi kasnijeg korištenja.

⚠ UPOZORENJE

Ovaj proizvod nije namijenjen za korištenje od strane djece ili osoba sa smanjenim fizičkim, psihičkim ili mentalnim mogućnostima. Djecu je potrebno odgovarajuće nadzirati kako bi se osiguralo da se ne igraju s proizvodom.

⚠ UPOZORENJE

Neke regije imaju pravila koja ograničavaju korištenje proizvoda. Provjerite kod lokalnih tijela za savjet.

OBUKA

- Nikada nemojte dopustiti korištenje proizvoda djeci ili osobama koje nisu upoznate s uputama. Moguće je da lokalni propisi propisuju starosnu dob rukovatelja.
- Pažljivo pročitaite upute. Upoznajte se sa svim upravljačkim elementima i pravilnim korištenjem proizvoda.

- Držite promatrače, djecu i kućne ljubimce 15 m dalje od područja rada. Zaustavite proizvod ako bilo tko uđe u područje rada.
- Nemojte raditi s proizvodom kad ste umorni, bolesni ili pod utjecajem alkohola, droga ili lijekova.
- Imajte na umu da je rukovatelj ili korisnik odgovoran za nezgode ili opasnosti koje nastanu drugim osobama ili njihovoj imovini.

ELEKTRIČNA SIGURNOST

- Utikači moraju odgovarati utičnici. Nikada nemojte modificirati utikače ni na koji način. Nemojte koristiti nikakve adapter utikače s uzemljenim električnim alatima. Originalni utikači i odgovarajuće utičnice smanjuju opasnost od strujnog udara.
- Izbjegavajte kontakt tijela s uzemljenim površinama poput cijevi, radijatora, štednjaka i hladnjaka. Ako je vaše tijelo uzemljeno, povećava se opasnost od strujnog udara.
- Nemojte raditi s proizvodom kada postoji opasnost od munja.
- Nemojte proizvod izlagati kiši ili vlažnim uvjetima. Ulazak vode u uređaj povećava opasnost od strujnog udara.
- Napajanje treba biti putem FID sklopke (RCD uređaj) s prorađnom strujom ne većom do 30 mA.
- Prije svakog korištenja, provjerite kabel za napajanje na oštećenje. Ako postoje znakovi oštećenja, mora ga zamijeniti kvalificirana osoba u ovlaštenu servisnom centru kako bi se izbjegla opasnost. Uvijek odmotajte kabel za napajanje tijekom korištenja, namotani kabel može se ugrijati.
- Ako trebate koristiti produžni kabel, osigurajte da je prikladan za korištenje na otvorenom i da ima dovoljan kapacitet za napajanje proizvoda. Produžni kabel treba imati oznaku „H05 RN-F“ ili „H05 VV-F“. Prije svakog korištenja provjerite na oštećenja. Uvijek odmotajte kabel za napajanje tijekom korištenja jer se namotani kabel može pregrijati. Oštećene produžne kabele ne treba popravljati, treba ih zamijeniti s odgovarajućim tipom.
- Nemojte koristiti proizvod ako su električni kabeli oštećeni ili istrošeni.
- Ako se kabel napajanja ili produžni

kabel oštetiti tijekom korištenja, odmah ga odspojite iz napajanja. Nemojte dodirivati električne kabele dok napajanje nije isključeno.

- Provjerite je li kabel za napajanje pravilno pozicioniran tako da ne može biti oštećen noževima i da se na njega ne može stati, zapeti ili drugim predmetima oštetiti ili naprezati.
- Nikada ne povlačite za kabel kako biste ga odspojili iz napajanja.
- Držite kabel za napajanje podalje od topline, ulja i oštrih rubova.
- Provjerite da li je točno napajanje za vaš proizvod. Nazivna pločica na proizvodu naznačuje napon proizvoda. Nikada ne priključujte proizvod na AC napon koji se razlikuje od ovog napona.

PRIPREMA

- Kada radite s ovim proizvodom nosite zaštitu za oči i sluh.
- Zaštita za sluh može ograničiti sposobnost operatera da čuje zvukove upozorenja, obratite posebnu pozornost na moguće opasnosti u okolini i unutar radnog područja.
- Uvijek nosite duge hlače, zaštitnu obuću protiv klizanja i rukavice. Nemojte nositi široku odjeću, kratke hlače ili nakit bilo kakve vrste. Nemojte raditi bos ili u otvorenim sandalama.
- Osigurajte dugu kosu na način da je iznad razine ramena kako biste spriječili zahvaćanje u pokretne dijelove.
- Prije korištenja i nakon svakog udara provjerite da nema oštećenih dijelova. Prekidač u kvaru ili bilo koji dio da je oštećen ili istrošen trebali biste pravilno popraviti ili zamijeniti od strane ovlaštenog servisnog centra kako biste izbjegli opasnosti.
- Nikada ne radite s proizvodom ako svi štitnici, deflektori i ručke nisu pravilno i čvrsto priključeni.
- Prije svakog korištenja provjerite noževe. Zamijenite sklopove noževa s novim kad je to potrebno. Istrošeni noževi dovode do slabe učinkovitosti i preopterećenja motora.
- Uzmite u obzir okružje u kojem radite. Radno područje držite čistim od žica, štapova, kamenja i ostataka koji ako se

zaglave mogu postati leteći predmeti.

SIGURNOSNA UPOZORENJA ZA KULTIVATOR

- U prašnjavim uvjetima nosite masku za lice s filtrom kako biste smanjili opasnost od ozljeda vezanih uz udisanje prašine.
- Koristite proizvod uzduž kosine nikada gore i dolje. Posebnu pozornost obratite kada mijenjate smjer na kosini.
- Budite osobito pažljivi kada vraćate ili povlačite proizvod prema sebi.
- Nikada ne podižite ili ne nosite proizvod dok motor radi.
- Nemojte raditi s proizvodom u blizini podzemnih električnih kabela, telefonskih linija, cijevi ili crijeva.
- Koristite proizvod po danjem svjetlu ili pri dobroj umjetnoj rasvjeti.
- Cijelo vrijeme držite pravilno uporište i ravnotežu, posebice na kosinama.
- Kada koristite proizvod ne hodajte unatrag.
- Hodajte, nikada nemojte trčati s proizvodom.
- Nemojte koristiti proizvod pored kosina, jaraka, previše stepenastih kosina ili nasipa. Loša obuća može izazvati klizanje ili pad.
- Budite osobito pažljivi kada radite na teškom tlu. Ako je tlo vrlo tvrdo, natapajte ga nekoliko dana prije kultiviranja.
- Izbjegavajte raditi na tlu koje je vlažno ili mokro. Nakon jake kiše pričekajte dan ili dva da se tlo osuši.
- Držite ruke i stopala cijelo vrijeme dalje od rotirajućih noževa, a posebice kad uključujete motor.
- Čuvajte se odbačenih premeta od rotirajućih noževa. Očistite malene ostatke poput kamenčića, grumena i drugih stranih predmeta iz radnog područja prije rada. Žice ili flaks se mogu upetljati s rotirajućim noževima.
- Imajte na umu da se noževi nastavljaju okretati nakon što je motor isključen.
- Isključite i odspojite iz napajanja i pričekajte da se svi pokretni dijelovi zaustave prije:
 - servisiranje
 - ostavljanje proizvoda bez nadzora

- čišćenje proizvoda ili čišćenje blokada
- promjena dodatnog pribora
- provjerite za bilo kakvo oštećenje nakon odbacivanja predmeta
- provjerite za bilo kakvo oštećenje ako proizvod počne abnormalno vibrirati
- izvođenje održavanja
- Osigurajte da su ventilacijski otvori uvijek čisti od krhotina.
- Provjerite da li su svi uređaji za zaštitu postavljeni i u dobrom stanju.
- Ne modificirajte proizvod na bilo koji način, ovo može povećati opasnost od ozljede za vas i druge.

▲ UPOZORENJE

Imajte na umu da ako noževi udare u izuzetno tvrdu, gomilu tla, smrznutu zemlju ili zakopane ostatke kao što su veliko kamenje, korijeni ili panjevi, proizvod može neočekivano odskočiti i/ili poskočiti prema naprijed.

▲ UPOZORENJE

Prije premiještanja proizvoda s jednog područja na drugo isključite motor i pričekajte da se noževi potpuno zaustave. Pazite da noževi ne dodiruju tlo prilikom premiještanja proizvoda. Noževi kao i sam proizvod mogu biti oštećeni čak iako je motor isključen.

SAVJETI ZA RAD

- Za smanjenje opasnosti od ozljeda od kontakta s pokretnim dijelovima ili od bačenim predmetima, operator mora stajati iza upravljača. Nikada nemojte stajati sa strane ili ispred upravljača dok je proizvod u pogonu.
- Uvijek nosite zaštitna sredstva za oči. Prilikom rada s proizvodom uvijek nosite zaštitnu obuću protiv klizanja.
- Dok će proizvod rezati i pomoći očistiti podzemnu vegetaciju i korijenje, noževi se mogu upetljati u teškim vegetacijama ili panjeve iznad tla. Očistite površinu koja se kultivira s trimenom ili drugim sličnim sredstvom i pripremite teren uklanjanjem svih veliki ostataka (npr, kamenje, cigle i

metalni stupovi) s površine.

- Držite ruke i noge dalje od noževa, pokrenite motor sa noževima malo iznad površine tla pritiskom na prekidač zaključavanja te potom sklopku za uključivanje/isključivanje. Istovremeno čvrsto držeći upravljač, spustite noževe na tlo. U ovoj točki proizvod se može pokušati sam izvući prema naprijed, ovisno o tvrdoći tla. Oduprite se povlačenju proizvoda prema naprijed, a noževi se trebaju početi zakopati u zemlju. Ako ne, koristite guranje natrag/naprijed (oko 20 cm je dovoljno) ili neznatno ljuljajte gore/dolje upravljač kako bi pomogli noževima doći do svoje radne dubine.
- Možete mijenjati dubinu noževa u tlu pomicanjem kotača bliže ili dalje od noževa. Nakon što su zupci u zemlji do potrebne dubine, polako pomičite proizvod prema naprijed, puštajući motor da radi. Ako noževi udare u neki predmet koji se teško pomiče ili reže, proizvod može podići svoju visinu kao bi zupci pokušali preći preko prepreke. Zaustavite proizvod i dopustiti noževima da se zaustave prije nego što pokušate istražiti ili ukloniti prepreku.
- Ako je zemlja koju kultivirate teška ili suha, bolje je da navodnite zemlju, ali ne potpuno i pustite dovoljno vremena vodi da prođe uzemlju, a višak odvodite prije pokušaja kultiviranja.

PRIJEVOZ I SKLADIŠTENJE

- Za skladištenje uvijek isključite napajanje i namotajte kabel.
- Zaustavite proizvod i omogućite mu da se ohladi prije skladištenja ili prijevoza.
- Očistite svaki strani materijal s uređaja. Skladištite ga na suhom i dobro ventiliranom mjestu koje nije pristupačno djeci. Nemojte ju ostavljati u blizini korozivnih agenasa kao ni vrtnih kemijskih proizvoda i soli za odmrzavanje. Ne ostavljajte na otvorenom.
- Obrišite noževe s uljem ili ih pošpricajte sa sredstvom za podmazivanje na bazi silikona kako biste spriječili hrđanje. Pazite se oštih ili oštećenih rubova noževa.
- Nauljite sve vidljive dijelove. Nemojte skinuti poklopac motora.
- Za prijevoz, osigurajte uređaj protiv pomicanja ili pada kako biste spriječili

povrede osoba ili oštećenja na uređaju.

- Nemojte nositi proizvod držeći ga za štitnik. Držite ili nosite proizvod samo za upravljač ili prednu ručku.

ODRŽAVANJE

⚠ UPOZORENJE

Koristite samo originalne zamjenske dijelove, dodatni pribor i priključke od proizvođača. Nepoštivanje ovih uputa može dovesti do mogućih ozljeda, loše učinkovitosti i može dovesti do poništenja jamstva.

⚠ UPOZORENJE

Prije pregledavanja, čišćenja ili servisiranja proizvoda, odspojite utikač iz izvora napajanja i čekajte da se svi pokretni dijelovi zaustave. Nepoštivanje ove upute može dovesti do teških tjelesnih ozljeda ili velike materijalne štete.

Prilikom čišćenja plastičnih dijelova izbjegavajte koristiti kemijska sredstva. Većina plastičnih dijelova osjetljiva je na oštećenje različitim vrstama komercijalnih vrsta otapala i mogu se ošteti njihovom uporabom. Za uklanjanje prljavštine, prašine, ulja, masnoće itd., koristite čistu krpu.

⚠ UPOZORENJE

Nikada ne dopustite kontakt plastičnih dijelova s tekućinom za kočnice, benzinom, proizvodima na bazi petroleja, sredstvima za odmašćivanje, idr. Ti kemijski proizvodi sadrže tvari koje mogu oštetiti, oslabiti ili uništiti plastiku.

⚠ UPOZORENJE

Noževi su oštri. Budite pažljivi i nosite zaštitne rukavice kada postavljate, zamijenjujete, čistite ili provjeravate sigurnost vijaka.

- Nakon svakog korištenja, očistite kućište i ručke proizvoda sa suhom mekom krpom i očistite ostatke s noževa s čeličnom četkom.
- Često provjeravajte sve matice i zavrtnje da li su dobro pritegnuti kako biste bili

sigurni da je proizvod u sigurnom radnom stanju.

- Samo dijelovi koji su prikazani na popisu zamjenskih dijelova su namijenjeni da budu popravljivi ili zamijenjeni od strane korisnika. Svi drugi dijelovi trebaju biti zamijenjeni od strane ovlaštenog servisnog centra.

OSTALE OPASNOSTI:

Čak i kad je proizvod korišten kao što je prethodno opisano, još uvijek nije moguće potpuno isključiti ostale čimbenike opasnosti. Može doći do sljedećih opasnosti tijekom korištenja i operater mora obratiti posebnu pozornost kako bi izbjegao sljedeće:

- Kontakt s noževima.
- Ozljede uzrokovane vibracijom. Držite proizvod za označene ručke i ograničite radno vrijeme i izloženost.
- Izlaganje buci može izazvati povredu sluha. Nosite zaštitu za sluh i ograničite izloženost.
- Ozljede oka zbog letećih khotina. Cijelo vrijeme nosite sredstva za zaštitu očiju.

SMANJENJE OPASNOSTI

Prijavljeno je da vibracije proizvoda koje se drži u ruci kod određenih pojedinaca mogu doprinijeti stanju pod nazivom Raynaud's Syndrome. Simptomi mogu uključivati trnce, ukočenost i bjelinu prstiju, obično uočljivo po izlaganju hladnoći. Smatra se da nasljedne osobine, izlaganje hladnoći i vlazi, dijeta, pušenje i radni postupci pridonose razvoju ovih simptoma. Postoje mjere koje operator može poduzeti kako bi smanjio moguće učinke vibracije:

- Održavajte svoje tijelo toplim u hladnim vremenskim uvjetima. Kad radite s proizvodom nosite rukavice kako biste ruke i zglobove održavali toplima. Prijavljeno je da je hladnoća glavni čimbenik koji doprinosi Raynaud's Syndrome.
- Nakon svakog perioda rada vježbajte kako biste povećali cirkulaciju krvi.
- Uzimajte česte stanke u radu. Ograničite količinu izlaganja po danu.

Ako osjetite neke od simptoma ovog stanja, odmah prekinite korištenje i obratite se svome liječniku vezano uz ove simptome.

EN
FR
DE
ES
IT
NL
PT
DA
SV
FI
NO
RU
PL
CS
HU
RO
LV
LT
ET
HR
SL
SK
BG

⚠ UPOZORENJE

Povrede mogu biti uzrokovane ili zadobivene produljenim korištenjem alata. Kada koristite bilo koji alat dulje vremena, osigurajte da uzimate povremene stanke.

UPOZNAJTE SVOJ PROIZVOD

Pogledajte stranicu 137.

1. Ručka
2. Sklopka za UKLJUČIVANJE/
ISKLJUČIVANJE
3. Sklopka za ON/OFF (Uklj./isklj.)
4. Kabel za napajanje
5. Kabel upravljanja motorom
6. Držać kabela za napajanje
7. Držać kabela za upravljanja motorom
8. Prednja ručka
9. Unutarnji nož
10. Vanjski nož
11. Kotač
12. Trn
13. Gumb na upravljaču

SIMBOLI NA PROIZVODU



Pročitajte i razumite sve upute prije rada s proizvodom, slijedite sva upozorenja i sigurnosne upute.



Nosite zaštitu za sluh



Nosite sredstva za zaštitu očiju



Ako je kabel oštećen, prerezan ili zaglavljen, odmah uklonite utikač iz utičnice prije održavanja.



Čuvajte se odbačenih ili letećih predmeta. Držite sve promatrače naročito djecu i kućne ljubimce, na udaljenosti najmanje 15 m od radnog područja.



Držite ruke i stopala dalje do rotirajućih noževa



Držite dalje fleksibilni kabel za napajanje od noževa za rezanje.



Otpadni električni proizvodi ne treba da se odlažu s otpadom iz domaćinstva. Molimo da reciklirate gdje je to moguće. Potražite savjet od lokalnih vlasti ili prodavca kako reciklirati.



Ovaj alat usklađen je sa svim normama i propisima zemlje Europske unije u kojoj je kupljen.



EurAsian znak konformnosti.



Jamčena razina zvučne snage 93 dB.

Sljedeće signalne riječi i značenja namijenjeni su objašnjenju razina opasnosti koje su vezane uz ovaj proizvod:

⚠ OPASNOST

Ukazuje na neposrednu opasnu situaciju, koja, ukoliko se ne izbjegne, može rezultirati smrću ili opasnim povredama

⚠ UPOZORENJE

Ukazuje na moguću opasnu situaciju, koja, ukoliko se ne izbjegne, može rezultirati smrću ili opasnim povredama

⚠ UPOZORENJE

Ukazuje na moguću opasnu situaciju, koja, ukoliko se ne izbjegne, može rezultirati manjim ili blažim povredama

UPOZORENJE

Bez sigurnosnog simbola upozorenja
Naznačuje situaciju koja može rezultirati oštećenjem imovine.

SIMBOLI U OVOM PRIRUČNIKU



Priključite u utičnicu za napajanje



Isključite iz utičnice za napajanje



Dijelovi ili pribor prodan odvojeno



НАПОМЕНА:



УПОЗОРЕНЈЕ

EN
FR
DE
ES
IT
NL
PT
DA
SV
FI
NO
RU
PL
CS
HU
RO
LV
LT
ET
HR
SL
SK
BG

NAMEN UPORABE

Pri snovanju tega električnega kultivatorja smo največ pozornosti namenili varnosti, učinkovitosti in zanesljivosti.

Izdelek je namenjen le za uporabo na prostem, pri uporabi pa mora upravljavec hoditi. Iz varnostnih razlogov morate izdelek v vsakem trenutku imeti pod nadzorom z obema rokama.

Izdelek je namenjen samo obdelovanju ali rahljanju zemlje na odprtem domačem vrtu. Maksimalna delovna globina izdelka je 19,5 cm.

Izdelka nikoli ne smete upravljati tako, da so kolesa dvignjena od tal. Vedno se mora voziti na kolesih. Izdelek uporabljajte samo, kot je opisano v teh navodilih, in ga ne uporabljajte za kakršen koli drug namen.

SPLOŠNA VARNOSTNA OPOZORILA

⚠ OPOZORILO

Med uporabo stroja upoštevajte varnostna navodila. Za svojo varnost in varnost drugih oseb preberite ta navodila pred uporabo izdelka. Shranite navodila za poznejšo uporabo.

⚠ OPOZORILO

Izdelek ni namenjen za uporabo s strani otrok ali oseb z zmanjšanimi fizičnimi, duševnimi ali senzoričnimi zmožnostmi. Otroke nenehno primerno nadzorujte, da se ne bodo igrali z napravo.

⚠ OPOZORILO

Predpisi nekaterih regij omejujejo uporabo tega izdelka. Za nasvet se obrnite na lokalne oblasti.

URJENJE

- Nikoli ne pustite, da bi izdelek uporabljali otroci ali osebe, ki niso seznanjene s temi navodili za uporabo. Lokalni predpisi se morda nanašajo tudi na minimalno starost upravitelja.
- Pazljivo preberite navodila. Seznanite se z vsemi krmilnimi elementi in pravilno uporabo izdelka.
- Prisotni, otroci in živali naj bodo vsaj 15 m

oddaljeni od delovnega območja. Ugasnite izdelek, če kdo vstopi v območje.

- Izdelka nikoli ne uporabljajte, če ste utrujeni, bolni ali pod vplivom alkohola, drog ali zdravil.
- Pomnite, da je upravitelj oz. uporabnik odgovoren za nesreče ali nevarnosti, ki se pripetijo ostalim ljudem ali njihovi lastnini.

ELEKTRIČNA VARNOST

- Vtiči električnih orodij se morajo prilegati vtičnicam. Vtiča nikoli in na noben način ne smete spreminjati. Z ozemljenimi električnimi orodji ne uporabljajte adapterjev vtiča. Nespremenjeni vtiči in ustrezne vtičnice zmanjšajo tveganje električnega udara.
- Izogibajte se telesnemu stiku z ozemljenimi površinami, kot so cevi, radiatorji, kühalniki in hladilniki. Če je vaše telo ozemljeno, obstaja povečano tveganje električnega udara.
- Izdelka ne uporabljajte, kadar obstaja nevarnost strele.
- Izdelka ne izpostavljajte dežju ali vlagi. Voda, ki vstopi v napravo, zviša tveganje za električni udar.
- Napajanje naprave mora imeti napravo za rezidualni tok (RCD), tok naj ne presega 30 mA.
- Pred vsako uporabo preverite, če je napajalni kabel poškodovan. Če obstajajo znaki poškodb, mora kabel zamenjati usposobljena oseba v pooblaščen servisni službi, da se izognete tveganjem. Kadar izdelek uporabljate, vedno odvijte napajalni kabel; zaviti kabli se lahko pregrejejo.
- Če potrebujete podaljšek za električni kabel, se prepričajte, da je primeren za uporabo na prostem in ima zadostno kapaciteto toka za vaš izdelek. Električni podaljšek mora biti označen z oznako »H05 RN-F« ali »H05 VV-F«. Pred vsako uporabo preverite, ali je izdelek poškodovan. Kadar izdelek uporabljate, vedno odvijte kable, saj se drugače lahko pregrejejo. Poškodovane podaljševalne kable ne smete popravljati, temveč jih zamenjajte s kablom enakovredne vrste.
- Če opazite, da so električni kabli poškodovani ali obrabljeni, izdelka ne uporabljajte.

- Če se napajalni kabel ali podaljšek med uporabo poškodujeta, ju takoj odklopite iz napajanja. Ne dotikajte se električnih kablov, dokler napajanje ni izključeno.
- Pazite, da je električni kabel speljan tako, da ga rezila ne morejo poškodovati in ga ne bo nihče pohodil, se obenj spotaknil ali da bo kakor koli drugače izpostavljen poškodbam ali obremenitvam.
- Ko odstranjujete vtičnik iz vtičnice, nikoli ne vlecite za napajalni kabel.
- Kabel držite proč od vročine, olja ali ostrih robov.
- Prepričajte se, da napetost ustreza vašemu izdelku. Imenska ploščica na izdelku prikazuje napetost izdelka. Nikoli ne priklaplajte izdelka na izmenično napetost, drugačno od navedene.

PRIPRAVA

- Pri uporabi izdelka vedno nosite popolno zaščito za oči in sluh.
- Zaščita za sluh lahko poslabša zmožnost upravljavca, da bi slišal opozorila, zato bodite posebej pozorni na potencialne nevarnosti na delovnem območju in okoli njega.
- Nosite trpežne dolge hlače, čvrsto obutev, ki ne drsi, in rokavice. Ne nosite ohlapnih oblačil, kratkih hlač ali kakršnega koli nakita. Izdelka ne uporabljajte, če ste bos ali nosite odprte sandale.
- Dolge lase si spnite nad rameni in tako preprečite njihovo ujetje v premikajoče se dele.
- Pred uporabo in po vsakem udarcu se prepričajte, da ni poškodovanih delov. Okvarjeno stikalo ali drug del, ki je poškodovan ali obrabljen, morate ustrezno popraviti ali zamenjati pri pooblaščenem serviserju.
- Izdelka nikoli ne uporabljajte, če vse zaščite, ščitniki in ročaji niso pravilno in čvrsto nameščeni.
- Pred vsako uporabo preverite rezila. Po potrebi zamenjajte sklop rezil z novim. Zaradi obrabljenih rezil je delovanje slabše in motor je preobremenjen.
- Upoštevajte okolje, v katerem delate. Na delovnem območju ne sme biti žic, palic, kamenja ali drugih predmetov, ki bi lahko leteli naokrog, če bi jih zadela rezila.

KULTIVATOR VARNOSTNA OPOZORILA

- V okolju z veliko prahu uporabljajte obrazno masko, saj tako zmanjšate tveganje za poškodbe, ki bi nastale zaradi vdihavanja prahu.
- Na pobočjih se premikajte prečno, nikoli gor in dol. Pri menjavanju smeri na pobočjih bodite še posebej previdni.
- Bodite še posebej pazljivi pri premikanju vzvratno ali ko vlečete izdelek proti sebi.
- Nikoli ne dvigujte ali prenašajte izdelka med delovanjem motorja.
- Ne uporabljajte izdelka v bližini podzemnih električnih kablov, telefonskih linij ali cevi.
- Izdelek uporabljajte samo pri dnevni svetlobi ali dobri osvetlitvi.
- Vedno stojte trdno in stabilno, zlasti na pobočjih.
- Kadar uporabljate ta izdelek, ne hodite vzvratno.
- Pri uporabi izdelka vedno hodite, nikoli ne tecite.
- Izdelka ne uporabljajte v bližini nagibov, jarkov, izredno strmih pobočij ali nabrežij. Slaba obutev lahko povzroči zdrs in nesrečo.
- Pri delu na težki zemlji bodirte zelo pazljivi. Če je zemlja zelo trda, jo nekaj dni pred obdelovanjem zalivajte.
- Izogibajte se oranju zemlje, kadar je ta namočena ali mokra. Po deževju počakajte dan ali dva, da se tla osušijo.
- Roke in noge imejte vedno proč od vrtljivih rezil, zlasti pri servisiranju motorja.
- Pazite na predmete, ki jih odmetavajo vrtljiva rezila. Z delovnega območja odstranite ostanke, kot so kamenčki, gramoz in drugi tujki, preden začnete z delom. Žice ali vrvice se lahko ujamejo v vrtljiva rezila.
- Pazite, po izklopu motorja se vrtljiva rezila še naprej vrtijo.
- Izključite napravo in jo odklopite iz električnega omrežja ter počakajte, da se vsi deli ustajajo, preden:
 - servisiranje
 - pustiti izdelek brez nadzora
 - čiščenje izdelka in odpravljanje blokade
 - menjava dodatkov

EN
FR
DE
ES
IT
NL
PT
DA
SV
FI
NO
RU
PL
CS
HU
RO
LV
LT
ET
HR
SL
SK
BG

- preverjanje glede poškodb, ko zadenete predmet
- preverjanje glede poškodb, če izdelek začne neobičajno vibrirati
- vzdrževanje
- Poskrbite, da bodo prezračevalne odprtine vedno proste.
- Prepričajte se, da so vse zaščitne naprave nameščene in v dobrem stanju.
- Izdelka na noben način ne spreminjajte, saj bi s tem povečali tveganje za poškodbe sebe in tretjih oseb.

⚠ POZOR

Izdelek lahko nepričakovano skoči navzgor in/ali naprej, če zobovje naleti na izjemno trdo in nakopičeno zemljo, zmrznjena tla ali zakopane ovire, kot so večji kamni, korenine in štrclji.

⚠ POZOR

Preden izdelek prestavite iz enega območja v drugega ugasnite motor in počakajte, da se rezila popolnoma ustavijo. Pazite, da se rezila ne bodo dotikala tal, medtem ko izdelek prestavljate. Rezila in izdelek sam se lahko poškodujejo, tudi če je motor ugasnjen.

NAPOTKI ZA UPORABO

- Da zmanjšate tveganje poškodb zaradi dotika premikajočih se delov ali zaradi delov, ki odletijo od izdelka, stojite za krmilom. Nikoli ne stojte ob strani ali pred krmilom, medtem ko je izdelek v delovanju.
- Vedno nosite zaščito za oči. Vedno nosite zaščitno obutev, ki ne drsi, kadar upravljate izdelek.
- Medtem ko izdelek reže in pomaga čistiti podzemeljsko rastlinje in korenine, se lahko rezila v močno rastlinje zapletejo ali strnišče nad zemljo. Območje, ki ga boste obdelovali, očistite z obrezovalnikom ali drugim podobnim orodjem in pripravite tla, tako da odstranite večje ovire (npr. kamne, opeke, kovinske palice) s površine.
- Pazite, da se z rokami in stopali ne boste približevali rezilom, ter zaženite motor, ko so rezila nekoliko nad tlemi, tako da pritisnete zaklep stikala in nato stikalo za vklop/izklop. Medtem ko čvrsto držite ročaje, spustite rezila na tla. Izdelek se lahko sedaj poskuša potegniti naprej, odvisno od trdote tal. Preprečite, da bi se izdelek potegnil naprej, in rezila se morajo začeti vklopavati v tla. Če se ne, izdelek premikajte nekoliko naprej in nazaj (20 cm zadostuje) ali rahlo zibajte krmilo gor in dol, da pomagata rezilom, da pridejo na delovno globino.
- Globino rezil v tleh lahko spremenite, tako da kolesa premaknete bližje ali dlje od rezil. Ko so rezila na želeni globini v tleh, izdelek počasi premikajte naprej, tako da pustite, da motor opravi svoje delo. Če rezila zadenejo ob nekaj, česar ne morejo premakniti ali presekat, se izdelek dvigne, ko rezila poskušajo priti čez oviro. Ustavite izdelek in počakajte, da se rezila popolnoma ustavijo, preden se lotite preverjanja ali odstranjevanja ovire.
- Če so tla, ki jih boste obdelali, trda ali suha, je bolj, da jih zalijete, vendar ne popolnoma namočite, in počakate, da voda prodre v tla in da odvečna voda odteče, preden začnete z obdelovanjem.

TRANSPORT IN SHRANJEVANJE

- Pred shranjevanjem vedno izključite iz napajanja in zvijte kabel.
- Ustavite izdelek in pustite, da se ohladi, preden ga shranite ali prevažate.
- Očistite vse tujke z izdelka. Shranite jo na suhem in dobro prezračenem mestu, ki ni na dosegu otrok. Hranite proč od jedkih sredstev, kot so kemikalije za vrtnarjenje in soli za odmrzovanje. Ne shranjujte na prostem.
- Obrišite rezila z oljem ali po njih razpršite silikonsko mazivo in tako preprečite rjavenje. Pazite na ostre ali poškodovane robov na rezilih.
- Namažite vse vidne premične dele. Ne odstranjujte pokrova motorja.
- Za transport zavarujte izdelek pred premiki ali padci, da preprečite poškodbe oseb ali izdelka.
- Izdelka ne prenašajte tako, da ga držite za varovalo. Izdelek nosite ali prenašajte samo za krmilo ali sprednji ročaj.

VZDRŽEVANJE

⚠ OPOZORILO

Uporabljajte le originalne rezervne dele in dodatke, ki jih priporoča proizvajalec. V nasprotnem primeru naprava lahko slabo deluje, povzroči poškodbe, garancija pa ne velja več.

⚠ OPOZORILO

Pred pregledovanjem, čiščenjem ali servisiranjem izdelka odklopite napajalni kabel in počakajte, da se vsi premikajoči deli ustavijo. Če ne boste upoštevali teh navodil, lahko pride do težke telesne poškodbe ali materialne škode.

Pri čiščenju plastičnih delov se izogibajte toplom. Večina plastičnih delov je zelo dovzetna za poškodbe s strani različnih vrst raztopil. Za odstranjevanje prahu, umazanije, olja, masti itd. uporabite čiste krpe.

⚠ OPOZORILO

Zavorna tekočina, gorivo, izdelki na osnovi nafte, prodirajoče olje ipd. nikoli ne smejo priti v stik s plastičnimi deli. Kemikalije lahko poškodujejo, oslabijo ali uničijo plastiko.

⚠ OPOZORILO

Rezila so ostra. Bodite previdni in nosite močne zaščitne rokavice, kadar nameščate, menjate, čistite ali preverjate pritrditve elementov na izdelku.

- Po vsaki uporabi očistite ohišje in ročaje izdelka z mehko suho krpo in očistite ostanke z rezil s trdo krtačko.
- Pogosto preverjajte, ali so vse matice in vijaki dobro priviti in tako zagotovite varno delovno stanje izdelka.
- Stranka lahko popravi ali sama zamenja le dele, ki so navedeni na seznamu delov za zamenjavo. Vse druge dele sme zamenjati ali popraviti le pooblaščen servisni center.

REZIDUALNA TVEGANJA:

Tudi če izdelek uporabljate tako, kot je predpisano, še vedno ne moremo izključiti določenih preostalih dejavnikov tveganja.

Med uporabo se lahko pojavijo naslednje nevarnosti, upravljaavec pa naj bo pozoren na naslednje:

- Dotikanje rezil.
- Poškodbe zaradi vibracij. Izdelek držite za temu namenjene ročaje ter omejite čas uporabe in izpostavljenosti.
- Izpostavljenost hrupu lahko povzroči poškodbo sluha. Nosite zaščito za sluh in omejite izpostavljenost.
- Poškodbe oči, zaradi delcev, ki odletijo. Vedno nosite zaščito za oči.

ZMANJŠANJE TVEGANJA

Ugotovljeno je bilo, da lahko pri nekaterih posameznikih vibracije ročnih orodij povzročijo Raynaudov sindrom. Simptomi so lahko mravljinca, otrplost in pobledele prsti, kar je običajno vidno, kadar je oseba izpostavljena mrazu. Dedni dejavniki, izpostavljenost mrazu in vlagi, dieta, kajenje in delovne navade naj bi pripomogle k razvoju teh simptomov. Za zmanjšanje učinkov vibracij lahko upravljaavec upošteva naslednja navodila:

- Poskrbite, da bo vaše telo na mrazu toplo. Med upravljanjem nosite rokavice in tako ohranjate toploto vaših dlani in zapestij. Kot poročajo, je mraz glavni dejavnik, ki prispeva k Raynaudovemu sindromu.
- Po vsakem obdobju upravljanja naprave telovadite in tako pospešite krvni obtok.
- Pogosto si vzemite odmor. Omejite dnevno količino izpostavljenosti.

Če zaznavate kakršne koli simptome takšnega stanja, takoj prenehajte z uporabo naprave in se o simptomih posvetujte z zdravnikom.

⚠ OPOZORILO

Daljša uporaba orodja lahko privede do poškodb ali pa so poškodbe lahko hujše. Kadar orodje uporabljate dalj časa, si večkrat vzemite odmor.

SPOZNAJTE SVOJ IZDELEK

Glejte stran 137

1. Ročaj
2. Stikalo za vklop/izklop
3. Zaklep stikala za vklop/izklop
4. Napajalni kabel
5. Kabel za nadzor motorja

EN
FR
DE
ES
IT
NL
PT
DA
SV
FI
NO
RU
PL
CS
HU
RO
LV
LT
ET
HR
SL
SK
BG

6. Držalo napajalnega kabla
7. Držalo kabla za nadzor motorja
8. Sprednji ročaj
9. Notranje rezilo
10. Zunanje rezilo
11. Kolo
12. Vlečni drog
13. Gumb na krmilu

SIMBOLI NA IZDELKU



Pred uporabo izdelka morate prebrati in razumeti vsa navodila, upoštevati vsa opozorila in varnostne napotke.



Wear ear protection



Nosite zaščito za oči



Pred vzdrževanjem oziroma če je kabel poškodovan, prerezan ali zavozlan, takoj izvlecite vtič iz glavnega omrežja.



Pazite na izvržene ali leteče predmete. Prisotni (še posebej otroci in živali) naj bodo med obratovanjem oddaljeni vsaj 15 m od delovnega območja.



Roke in noge držite proč od gibljivega zobovja.



Upogljivi napajalni kabel držite proč od rezil.



Odpadne električne izdelke odlagajte skupaj z ostalimi gospodinjskimi odpadki. Reciklažo opravljajte na predpisanih mestih. Za reciklažni nasvet se obrnite na lokalne oblasti.



Ustreza vsem predpisanim standardom v državi članici EU, kjer je bil kupljen izdelek.



EurAsian oznaka o skladnosti.



Zajamčena raven zvočne moči je 93 dB.

Naslednje besedne oznake in njihovi pomeni služijo za razlago stopnje tveganja pri uporabi izdelka.

⚠ NEVARNOST

Označuje neizbežno tvegano stanje, ki če se ji ne izognete lahko povzroči smrt ali resno poškodbo.

⚠ OPOZORILO

Označuje morebitno tvegano stanje, ki če se ji ne izognete lahko povzroči smrt ali resno poškodbo.

⚠ POZOR

Označuje morebitno tvegano stanje, ki če se mu ne izognete lahko povzroči manjšo ali srednje resno poškodbo.

POZOR

Brez simbola za varnostno opozorilo Prikazuje situacijo, ki lahko povzroči materialno škodo.

SIMBOLI V TEM PRIROČNIKU



Priključite v vtičnico



Izključite iz vtičnice



Deli ali dodatki so na prodaj ločeno



OPOMBA:



OPOZORILO

ÚČEL POUŽITIA

Pri navrhovaní tohto produktu boli najvyššou prioritou bezpečnosť, výkon a spoľahlivosť.

Tento produkt je určený len na použitie v exteriéri a obsluhujúcou osobou v kráčajúcou v stoji. Z bezpečnostných dôvodov sa musí tento produkt primerane ovládať neustále oboma rukami.

Tento produkt je určený na kultiváciu alebo kyprenie pôdy v otvorených domácich záhradných priestoroch. Maximálna pracovná hĺbka produktu je 19,5 cm.

Produkt sa nikdy nesmie obsluhovať, keď kolieska nie sú na zemi. Nesmie sa na ňom jazdiť. Produkt možno používať len podľa popisu v tomto návode a nesmie sa používať pre žiadny iný účel.

VŠEOBECNÉ BEZPEČNOSTNÉ VÝSTRAHY

▲ VAROVANIE

Pri používaní tohto produktu sa musia dodržiavať bezpečnostné zásady. Pre vašu vlastnú bezpečnosť a bezpečnosť okolostojacích osôb si pred použitím produktu prečítajte tento návod. Odložte si návod na neskoršie použitie.

▲ VAROVANIE

Produkt nie je určený na použitie deťmi alebo osobami so zníženými fyzickými, duševnými alebo zmyslovými schopnosťami. Deti musia byť pod primeraným dozorom, aby sa nemohli s produktom hrať.

▲ VAROVANIE

Niektoré regióny majú nariadenia, ktoré obmedzujú použitie produktu. Poradte sa s miestnym úradom.

ŠKOLENIE

- Nikdy nedovoľte používať produkt deťom ani osobám, ktoré nie sú oboznámené s týmto návodom. Miestne platné predpisy môžu obmedzovať dobu použitia kosačky.
- Pozorne si prečítajte pokyny. Oboznámte sa s ovládacími prvkami a správnu obsluhu produktu.

- Okolostojace osoby, deti a domáce zvieratá, musia stáť min. 15 m od pracovného priestoru. Ak nejaká osoba vstúpi do pracovného priestoru, zastavte produkt.
- Nikdy nepoužívajte produkt, keď ste unavení, chorí alebo pod vplyvom, alkoholu, drog alebo liekov.
- Užívateľ alebo obsluha stroja sú zodpovední za nehody alebo škody na majetku a za nebezpečenstvo vzniknuté pri prevádzke stroja.

ELEKTRICKÁ BEZPEČNOSŤ

- Elektrické zástrčky musia zodpovedať zásuvke. Zástrčku nikdy žiadnym spôsobom neupravujte. S uzemnenými mechanickými nástrojmi nepoužívajte rozdvojnú zásuvku. Použitím neupravených zástrčiek a zodpovedajúcich zásuviek sa znižuje riziko úrazu elektrickým prúdom.
- Vyhnite sa telesnému kontaktu s uzemnenými povrchmi, napríklad rúrami, radiátormi, sporákmi a chladničkami. Ak je vaše telo uzemnené, hrozí vysoké riziko úrazu elektrickým prúdom.
- Nepoužívajte produkt, keď hrozí riziko blesku.
- Nevystavujte produkt dažďu ani mokrému prostrediu. Voda, ktorá vnikne do zariadenia, zvyšuje riziko úrazu elektrickým prúdom.
- Elektrické napájanie musí byť privádzané cez zariadenie pre zvyškový prúd s vypínacím prúdom maximálne 30 mA.
- Pred použitím skontrolujte napájací kábel, či nie je poškodený. Pri akýchkoľvek známkach poškodenia ich musí vymeniť kvalifikovaná osoba v autorizovanom servisnom centre, aby nevzniklo riziko. Pri použití vždy odviňte napájací kábel, lebo zvinuté káble sa môžu prehrievať.
- Ak potrebujete použiť predĺžovací kábel, dbajte na to, aby bol vhodný na použitie v exteriéri a mal prúdovú kapacitu dostatočnú na napájanie vášho produktu. Predĺžovací kábel musí mať označenie „H05 RN-F“ alebo „H05 VV-F“. Pred každým použitím skontrolujte, či nedošlo k poškodeniu. Pri použití ho vždy odviňte, lebo zvinuté káble sa môžu prehrievať. Poškodené predĺžovacie káble sa nesmú opravovať, ale vymeniť za ekvivalentný typ.

EN
FR
DE
ES
IT
NL
PT
DA
SV
FI
NO
RU
PL
CS
HU
RO
LV
LT
ET
HR
SL
SK
BG

- Produkt nepoužívajte, ak sú elektrické káble poškodené alebo opotrebované.
- Ak sa napájací kábel alebo predlžovací kábel pri používaní poškodia, okamžite ich odpojte z elektrickej siete. Nedotýkajte sa elektrických káblov, kým predtým neodpojíte elektrickú sieť.
- Dbajte na to, aby bol napájací kábel umiestnený tak, aby ho nebolo možné poškodiť hrotmi a aby naň nikto nestúpil, nezakopol oň, ani ho inak nepoškodil alebo nenamáhal.
- Nástroj nikdy neodpájajte z elektrickej siete ťahaním za napájací kábel.
- Napájací kábel nedávajte do blízkosti tepla, oleja alebo ostrých okrajov.
- Skontrolujte, či je napätie správne pre váš produkt. Firemný štítok na produkte uvádza napätie jednotky. Zariadenie nikdy nepripájajte k striedavému napätiu inému, ako je uvedené napätie.

PRÍPRAVA

- Pri práci s týmto zariadením používajte chrániče zraku a sluchu.
- Tepelná ochrana môže obmedziť schopnosť obsluhujúceho počuť výstražné zvuky, venovať primeranú pozornosť nebezpečenstvám v okolí pracoviska i na ňom.
- Noste pevné dlhé nohavice, pevnú nešmyklavú obuv a rukavice. Nenoste oblečenie voľného strihu, krátke rukávy ani bižutériu žiadneho druhu. Nepoužívajte produkt, keď ste bosí alebo obutí v otvorených sandáloch.
- Dlhé vlasy zaistíte, aby boli nad úrovňou pliec a nedošlo tak k ich zamotaniu do pohyblivých dielov.
- Pred použitím a po každom náraze skontrolujte, či nie sú nejaké diely poškodené. Chybný spínač či akýkoľvek iný diel, ktorý je poškodený alebo opotrebovaný, je potrebné náležite opraviť alebo vymeniť v autorizovanom servisnom zariadení, aby nevzniklo riziko.
- Nikdy nepoužívajte produkt, kým nie sú správne a bezpečne nasadené všetky ochranné kryty, odchyľovače a rukoväte.
- Pred každým použitím skontrolujte hroty. V prípade potreby nahraďte súpravy hrotov za nové. Opatrebované hroty spôsobia

nedostatočnú výkonnosť a preťaženie motora.

- Berte ohľad na prostredie, v ktorom pracujete. Z pracoviska odstráňte všetky drôty, drevka, kamene a sutinu, ktoré by sa mohli pri zásahu hrotmi vymrštiť.

KULTIVÁTOR – BEZPEČNOSTNÉ VÝSTRAHY

- V prašnom prostredí noste tvárovú masku, znížite tak riziko poranenia v dôsledku vdychnutia prachu.
- Produkt požívajte na svahoch krížom, nikdy nie nahor a nadol. Ak meníte smer, buďte veľmi opatrní.
- Pri obracaní alebo ťahaní produktu smerom k sebe buďte mimoriadne opatrní.
- Produkt nikdy nedvíhajte ani neprenášajte, keď motor beží.
- Nepoužívajte produkt v blízkosti podzemných elektrických káblov,, telefónnych liniek, rúr alebo hadíc.
- Produkt používajte len na dennom svetle alebo pri dostatočnom umelom osvetlení.
- Neustále zachovávajte pevnú oporu nôh a rovnováhu, najmä na svahoch.
- Pri používaní produktu nekráčajte dozadu.
- S produktom vždy kráčajte, nikdy nebežte.
- Produkt nepoužívajte v blízkosti prudkých svahov, priekop, veľmi strmých svahov alebo násypov. Nedostatočne stabilný postoj môže byť príčinou ukľznutia a pádu.
- Pri práci na náročnej pôde buďte veľmi opatrní. Ak je pôda veľmi tvrdá, niekoľko dní pred kultiváciou polievajte.
- Nepracujte s pôdou, keď je premočená alebo mokrá. Po silnom daždi počkajte deň-dva, kým zem vyschne.
- Ruky a nohy nikdy nedávajte do blízkosti otáčajúcich sa hrotov, najmä pri zapínaní motora.
- Pozor na objekty vymrštené otáčajúcimi sa hrotmi. Pred začatím práce odstráňte z pracoviska kamenky, štrk a ostatné cudzie predmety. Do otáčajúcich sa hrotov sa môžu zamotať vodiče alebo vlákno.
- Pozor, hroty pokračujú v otáčaní aj po vypnutí motora.
- Vypnite motor a odpojte produkt z elektrickej siete a počkajte, kým sa otáčajúce sa časti

nezastavia, predtým ako:

- servis
 - ponechanie produktu bez dozoru
 - čistenie produktu alebo odstránenie upchatia
 - výmena príslušenstva
 - skontrolujte akékoľvek poškodenie po zásahu objektom
 - skontrolujte akékoľvek poškodenie, ak produkt začne neštandardne vibrovať
 - vykonávanie údržby
- Vždy skontrolujte, či vetracie otvory nie sú upchaté úlomkami.
 - Skontrolujete, či sú všetky ochranné zariadenia nasadené a v dobrom stave.
 - Produkt žiadnym spôsobom neupravujte, inak zvýšite riziko poranenia – vás alebo iných osôb.

▲ VÝSTRAHA

Produkt môže odskakovať nahor alebo poskakovať dopredu, ak hroty narazia na mimoriadne tvrdú ujazdenú pôdu, zamrznutú zem alebo zapaďnuté prekážky, ako sú veľké kamene, korene a pne.

▲ VÝSTRAHA

Pred presúvaním produktu z jedného miesta na iné vypnite motor a počkajte, kým sa hroty úplne nezastavia. Dbajte na to, aby sa hroty nedotýkali zeme, keď sa produkt presúva. Hroty, ako aj samotný produkt, sa môžu poškodiť, a keď je motor vypnutý.

RADY NA OBSLUHU

- Na zníženie rizika poranenia následkom kontaktu s pohybujúcimi sa dielmi alebo s vymrštenými predmetmi musí obsluhujúci stáť za rukoväťou. Nikdy nestojte na boku alebo pred rukoväťami, keď je produkt v prevádzke.
- Vždy používajte chrániče zraku. Pri práci s produktom vždy používajte nešmykľavú ochrannú obuv.
- Keď produkt reže a pomáha čistiť podzemnú vegetáciu a korene, hroty sa môžu zamať do silnej vegetácie alebo strniska nad zemou. Vyčistite priestor, ktorý chcete kultivovať, pomocou krovinozezu či

iného podobného zariadenia a pripravte zem odstránením všetkej prípadnej väčšej sutiny (ako sú kamene, tehly a kovové tyčky) z povrchu.

- Nedávajte ruky ani nohy do blízkosti hrotov a naštartujte motor s hrotmi pomaly nad povrchom zeme stlačením poistného spínača a následne hlavného spínača. Zatiaľ čo pevne držíte rukoväť, spustíte hroty do zeme. Produkt sa v tomto momente môže pokúšať ťahať sám dopredu, v závislosti od tvrdosti zeme. Odolávajte snahe produktu ťahať sa dopredu a hroty by sa mali začať samé vnárať do zeme. Ak k tomu nedôjde, pomocou spätného a dopredného pohybu (stačí približne 20 cm) alebo mierne hojďavému pohybu rukoväte nahor a nadol pomôžte hrotom dostať sa do pracovnej hĺbky.
- Hĺbku hrotov v zemi môžete zmeniť pohybovaním koliesok bližšie alebo ďalej od hrotov. Keď už sú hroty v zemi v požadovanej hĺbke, pomaly pohybujte produktom dopredu a nechajte motor, nech vykonáva prácu. Ak hroty narazia na nejaký predmet, ktorý je príliš tvrdý na to, aby ho posunuli alebo prerezali, produkt sa môže nadvihnúť, ako sa hroty pokúsia prejsť ponad prekážku. Predtým, ako sa pokúsíte zistiť alebo odstrániť prekážku, zastavte produkt a počkajte, kým sa hroty úplne nezastavia.
- Ak je zem, ktorú chcete kultivovať, tvrdá alebo suchá, predtým, ako sa ju pokúsíte kultivovať, je ju lepšie namočiť, ale nezamočte ju úplne a počkajte, kým voda prenikne do zeme zvyšok vyschne.

PREPRAVA A SKLADOVANIE

- Pred skladovaním vždy odpojte od elektrickej siete a navíňte kábel.
- Pred uskladnením alebo prepravou zastavte produkt a nechajte ho vychladnúť.
- Odstráňte zo zariadenia všetky cudzie materiály. Odložte ho na suché a dobre vetrané miesto, na ktoré nemajú prístup deti. Náradie neuskladňujte v blízkosti žieravých látok, ako napríklad v blízkosti záhradníckych chemických prípravkov alebo soli na zimný posyp komunikácií. Neskladujte v exteriéri.
- Natrieť hroty olejom alebo ich nasprejovať silikónovým mazivom, aby nedochádzalo k

hrdzaveniu. Dávajte pozor na ostré alebo poškodené okraje hrotov.

- Všetky viditeľné pohyblivé diely naolejujte. Neodstraňujte kryt motora.
- Pri preprave zaistíte produkt pred pohybom alebo pádom, aby nedošlo k poraneniu osôb alebo poškodeniu produktu.
- Produkt neprenášajte za ochranný kryt. Produkt prenášajte len za rukuvať alebo prednú rúčku.

ÚDRŽBA

⚠ VAROVANIE

Používajte len originálne náhradné diely, príslušenstvo a nástavce výrobcu. V opačnom prípade môže dôjsť k možnému poraneniu, nedostatočnému výkonu a strate platnosti záruky.

⚠ VAROVANIE

Pred kontrolou, čistením alebo servisom produktu odpojte elektrický kábel a počkajte, kým sa zastavia všetky pohybujúce sa diely. Nedodržanie týchto pokynov môže spôsobiť vážne zranenia alebo poškodenie majetku.

Pri čistení plastových dielov nepoužívajte rozpúšťadlá. Vela plastov je citlivých na poškodenie rôznymi typmi komerčných rozpúšťadiel a môžu byť nimi poškodené. Na odstránenie špiny, prachu, oleja, maziva a pod. použite čisté tkaniny.

⚠ VAROVANIE

Dbajte na to, aby do kontaktu s plastovými dielmi nikdy nepišli do kontaktu brzdové kvapaliny, benzín, ropné produkty, prenikavé oleje a pod. Chemikálie môžu poškodiť, oslabiť či zničiť plast.

⚠ VAROVANIE

Hroty sú ostré. Pri montáži, výmene, čistení alebo kontrole zaistenia maticových skrutiek buďte opatrní a používajte pevné rukavice.

- Po každom použití vyčistíte telo a rukuvať produktu suchou tkaninou a pomocou tvrdej kefy vyčistíte sútinu z hrotov.
- Skontrolujte všetky skrutky, matice v

častých intervaloch či sú riadne utiahnuté, aby sa zaistila bezpečná prevádzka produktu.

- Len diely vyobrazené na zozname náhradných dielov sú určené na opravu alebo výmenu zákazníkom. Všetky ostatné diely môže vymieňať len autorizované servisné centrum.

ZVYŠKOVÉ RIZIKÁ:

Aj keď sa nástroj používa podľa predpisu, nie je možné eliminovať určité zvyškové rizikové faktory. Pri použití vznikajú nasledujúce riziká a obsluhujúca osoba musí venovať zvláštnu pozornosť, aby nedošlo k nasledovnému:

- Kontakt s hrotmi.
- Zranenie spôsobené vibráciami. Produkt držte za rukuvať na to určené a obmedzte pracovný čas a expozíciu.
- Vystavovanie hluku môže spôsobiť poranenie sluchu. Používajte ochranu sluchu a obmedzte expozíciu.
- Poranenie zraku následkom odletujúcej sutiny. Neustále používajte ochranu zraku.

OBMEDZENIE RIZIKA

Boli hlásené prípady, kedy vibrácie z ručných produktov u niektorých osôb prispeli k stavu nazývanému Raynaudov syndróm. K symptómom patria: trpnutie, znecitlivenie a blednutie prstov, zvyčajne zjavné po vystavení zime. Je známe, že k vývoju týchto symptómov prispievajú: dedičné faktory, vystavovanie zime a vlhkosti, diéta, fajčenie a pracovné návyky. Opatrenia, ktoré môže vykonať obsluhujúca osoba na možné zníženie účinkov vibrácií:

- V studenom počasí udržiavajte svoje telo v teple. Pri práci s produktom noste rukavice, aby ste mali ruky a zápästia v teple. Boli hlásené prípady, kedy hlavným faktorom prispievajúcim k Raynaudovmu syndrómu bolo studené počasie.
- Po každom určitom časovom úseku prevádzky cvičte, aby ste zlepšili krvný obeh.
- Počas práce si doprajte časté prestávky. Obmedzte počet vystavení za deň.

Ak zistíte ktorýkoľvek zo symptómov tohto stavu, okamžite prerušte používanie zariadenia, navštívte svojho lekára a povedzte mu o symptómoch.

⚠ VAROVANIE

Pri dlhodobom alebo zvýšenom používaní môže dôjsť k zraneniam. Pri používaní nástroja príliš dlhé obdobia si vždy doprajte pravidelné prestávky.

OBOZNÁMTE SA S VAŠIM PRODUKTOM

Pozrite stranu 137.

1. Rúčka
2. Spínač na zapnutie/vypnutie
3. Poistka hlavného spínača
4. Napájací kábel
5. Ovládací kábel motora
6. Držiak napájacieho kábla
7. Pridržiavač ovládacieho kábla motora
8. Predná rukoväť
9. Vnútorý hrot
10. Vonkajší hrot
11. Koleso
12. Ťahací stĺp
13. Tlačidlo rukoväte

SYMBOLY NA PRODUKTE



Pred použitím produktu si s porozumením prečítajte všetky pokyny a dodržiavajte výstražné a bezpečnostné upozornenia.



Používajte chrániče sluchu



Používajte chrániče zraku



Ak sa kábel poškodí, pretrhne alebo zamotá a bezprostredne pred vykonaním údržby odpojte zástrčku z elektrickej siete.



Pozor na vyvrátené alebo odletujúce objekty. Všetky okolostojace osoby (najmä deti a domáce zvieratá) musia stáť minimálne 15 m od miesta práce



Ruky ani nohy nedávajte do blízkosti otáčajúcich sa hrotov



Ohybný napájací kábel nedávajte do blízkosti rezacích hrotov.



Opotrebované elektrické zariadenia by ste nemali odhadzovať do domového odpadu. Prosíme o recykláciu ak je možné. Kontaktujte miestne úrady, alebo predajcu pre viac informácií ohľadom ekologického spracovania.



Vyhovuje všetkým regulačným normám v krajine EU, v ktorej bol výrobok zakúpený.



Euroázijská značka zhody



Garantovaná hladina akustického výkonu je 93 dB.

Nasledujúce signálne slová a významy slúžia na vysvetlenie úrovni rizika súvisiacich s produktom:

⚠ NEBEZPEČENSTVO

Označuje bezprostredne nebezpečnú situáciu, ktorá môže vyústiť v smrť, alebo vážne zranenie.

⚠ VAROVANIE

Označuje potenciálne nebezpečnú situáciu, ktorá môže vyústiť v smrť, alebo vážne zranenie.

⚠ VÝSTRAHA

Označuje potenciálne nebezpečnú situáciu, ktorá môže vyústiť v ľahké, alebo stredne ťažké zranenie.

VÝSTRAHA

Bez symbolu bezpečnostného alarmu
Označuje situáciu, ktorá môže zapríčiniť poškodenie majetku.

SYMBOLY V TOMTO NÁVODE



Pripojte do elektrickej zásuvky



Odpojte z elektrickej zásuvky

EN
FR
DE
ES
IT
NL
PT
DA
SV
FI
NO
RU
PL
CS
HU
RO
LV
LT
ET
HR
SL
SK
BG



Diely alebo príslušenstvo
predávané samostatne



POZNÁMKA:



VAROVANIE

ПРЕДНАЗНАЧЕНИЕ

Безопасността, производителността и надеждността са аспектите, на които е отделен най-голям приоритет при проектирането на вашия електрически култиватор.

Този продукт е предназначен за използване само на открито и от оператор, който е заел изправена позиция на тялото, докато върви с продукта. От съображения за безопасност този продукт трябва по всяко време да бъде управляван и контролиран стабилно с две ръце.

Продуктът е предназначен за култивиране или разрохкване на почвата в открити домашни градини. Максималната работна дълбочина на продукта е 19.5 см.

Никога не трябва да се работи с продукта, ако колелата му не са в контакт със земната повърхност. Не бива да се катерите върху продукта. Продуктът трябва да се използва както е описано в настоящото ръководство, а използването му за всякакви други цели е противопоказано.

ОБЩИ ПРЕДУПРЕЖДЕНИЯ ЗА БЕЗОПАСНОСТ

▲ ПРЕДУПРЕЖДЕНИЕ

При използване на продукта трябва да се спазват правилата за безопасност. За осигуряване на вашата безопасност и тази на страничните наблюдатели прочетете тези инструкции, преди да работите с продукта. Съхранявайте ръководството на сигурно място, за да можете да го ползвате и по-късно.

▲ ПРЕДУПРЕЖДЕНИЕ

Продуктът не е предназначен за използване от деца или от лица с намалени физически, сетивни или умствени способности. Децата трябва да бъдат внимателно надзирани, за да се гарантира, че не си играят с продукта.

▲ ПРЕДУПРЕЖДЕНИЕ

В някои региони действат наредби, които ограничават употребата на продукта. За съвети се обръщайте към местните власти.

ОБУЧЕНИЕ

- Никога не позволявайте продуктът да бъде използван от деца или от лица, непознати с настоящите инструкции. Местните наредби могат да налагат ограничения за възрастта на оператора.
- Прочете инструкциите внимателно. Запознайте се с всички контроли и с правилния начин за използване на продукта.
- Дръжте всички странични наблюдатели, деца и домашни животни на разстояние поне 15 метра от работната зона. Спрете продукта, ако някой навлезе в работната зона.
- Никога не използвайте продукта, ако сте уморени, болни или под влиянието на алкохол, наркотични вещества или лекарства.
- Трябва да знаете, че операторът или потребителят е отговорен за причиняването на злополуки или щети на други лица или имущество.

ЕЛЕКТРИЧЕСКА БЕЗОПАСНОСТ

- Щепселът на инструмента трябва да е съвместим с контакта. В никакъв случай не внасяйте изменения в конструкцията на щепсела. Когато работите със занулен електрически инструменти, не използвайте адаптери за щепсела. Използването на оригиналните щепсели и контакти намалява риска от токов удар.
- Избягвайте допир със заземени повърхности, като тръби, радиатори, печки и хладилници. Когато тялото ви е заземено, рискът от възникване на токов удар е по-голям.
- Не работете с продукта, когато има риск от мълнии.
- Не излагайте продукта на дъжд или влажни условия. Проникването на вода в уреда повишава риска от токов удар.
- Уредът трябва да бъде захранван чрез

EN
FR
DE
ES
IT
NL
PT
DA
SV
FI
NO
RU
PL
CS
HU
RO
LV
LT
ET
HR
SK
BG

прекъсвач за защитно изключване, пропускащ ток не повече от 30 mA.

- Преди употреба огледайте захранващия кабел за повреди. Ако има следи от повреди, той трябва да бъде подменен от квалифицирано лице в оторизиран сервизен център, за да се избегне възникването на опасности. Винаги развивайте захранващия кабел преди употреба; навитите кабели могат да прегреят.
- Ако е необходимо да използвате удължаващ кабел, проверете дали той е подходящ за работа на открито или дали токовият му капацитет е достатъчен за захранване на вашия продукт. Удължаващият кабел трябва да има маркировка „H05 RN-F“ или „H05 VV-F“. Проверявайте го за повреди преди всяка употреба. Винаги развивайте кабела при работа, защото неразвитите кабели могат да прегреят. Повредените удължителни кабели не трябва да се поправят, а да се сменят с такива от еквивалентен тип.
- Не използвайте продукта, ако електрическите кабели са повредени или износени.
- Ако кабелът се повреди по време на работа, незабавно го разкачете от електричеството. Не докосвайте електрическите кабели, докато не бъде изключен захранващия източник.
- Внимавайте захранващия кабел да не е оставен на места, където може да бъде повреден от култиваторните лапи, настъпен, прегазен или изложен по друг начин на повреда или напрежение.
- Никога не дърпайте захранващия кабел, за да изключите инструмента от електричеството.
- Дръжте захранващия кабел далече от топлина, масло и остри предмети.
- Уверете се, че използваното напрежение е правилно за вашия продукт. На табелката с характеристиките на продукта, можете да видите напрежението му. Никога не свързвайте уреда към променлив ток с различно от посоченото напрежение.

ПОДГОТОВКА

- Носете пълна защитна екипировка за очите и слуха ви, когато боравите с продукта.
- Възможно е антифоните да ограничат способността на оператора да чува предупредителни звуци; отнасяйте се изключително внимателно по отношение на потенциални рискове както в работната зона, така и извън нея.
- Носете здрави дълги панталони, стабилни неплъзгащи се обувки и ръкавици. Не носете широки дрехи, шорти или каквито и да било бижута. Не работете с продукта, ако сте боси или носите отворени сандали.
- Дългата коса трябва да бъде прибрана на ниво над раменете, за да се избегне нейното заплитане в движещите се части.
- Преди употреба и след всяко въздействие проверете дали няма повредени части. Всички дефектни, повредени или износени превключватели и части трябва да се ремонтират или подменят в оторизиран сервизен център, за да се избегне възникването на опасности.
- Никога не работете с продукта, докато всички предпазители, отклонители и ръкохватки не са прикрепени правилно и стабилно.
- Проверявайте култиваторните лапи преди всяка употреба. Подменяйте култиваторните лапи с нови, ако това е необходимо. Износените култиваторни лапи влошават производителността и натоварват прекомерно мотора.
- Преценявайте средата, в която ще работите. Поддържайте работната зона чиста от жици, пръчки, камъни и отломки, които могат да отхвърчат при евентуален контакт с култиваторните лапи.

ПРЕДУПРЕЖДЕНИЯ ЗА БЕЗОПАСНА РАБОТА С КУЛТИВАТОРА

- При работа в прашни условия носете филтърна маска, за да се намали опасността от заболявания на дихателните пътища в следствие на вдишването на прах.



- Върху наклонени терени работете с продукта направо спрямо повърхността, никога нагоре и надолу. Бъдете особено бдителни при смяна на посоката на наклона.
- Бъдете изключително внимателни, когато обръщате или издърпвате продукта към Вас.
- Никога не вдигайте и не носете продукта, докато моторът му работи.
- Не работете с продукта в близост до подземни електрически кабели, телефонни линии, тръби и напоителни маркучи.
- Използвайте продукта само на дневна светлина или при добро изкуствено осветление.
- Винаги стъпвайте стабилно и пазете равновесие, особено ако работите върху наклонени повърхности.
- Не ходете назад, докато използвате продукта.
- Вървете, никога не тичайте с продукта.
- Не използвайте уреда в близост до насипи, канавки, прекалено стръмни повърхности или диги. Нестабилността по време на работа може да доведе до подхлъзване и падане.
- Бъдете особено внимателни, когато работите върху труднообработваема почва. Ако почвата е много твърда, я полейте с вода няколко дни преди култивирането.
- Избягвайте обработването на почвата, ако тя е влажна или мокра. Изчакайте ден или два след силен дъжд, за да може почвата да изсъхне.
- Винаги пазете ръцете и краката си далече от въртящите се култиваторни лапи, особено при включването на мотора.
- Внимавайте за предмети, които могат да отхвъркнат от въртящите се култиваторни лапи. Почистете отпадъците като малки камъни, чакъл и други чужди обекти от работната зона, преди да започнете работа. Във въртящите се култиваторни лапи могат да се заплетат жици или влакна.
- Внимавайте, защото култиваторните лапи продължават да се въртят след

спиране на мотора.

- Спирайте продукта и го изключвайте от захранването, след което изчаквайте пълното спиране на всички движещи се части, преди да:
 - обслужване
 - оставяне на продукта без надзор
 - почистване на продукта или отстраняване на препятствия
 - смяна на принадлежности
 - проверка за повреда след удяране на обект
 - проверка за повреда, ако продуктът започне да вибрира необичайно
 - извършване на профилактика
- Винаги проверявайте дали по вентилационните отвори има отпадък.
- Уверете се, че всички защитни устройства са монтирани и са в добро състояние.
- Не модифицирайте продукта по никакъв начин, защото това може да доведе до нараняване на вас или на други хора.

EN
FR
DE
ES
IT
NL
PT
DA
SV
FI
NO
RU
PL
CS
HU
RO
LV
LT
ET
HR
SL
SK
BG



▲ ВНИМАНИЕ

Продуктът може неочаквано да подскочи нагоре и/или напред, ако култиваторните лапи ударят прекалено твърда и суха почва, замръзнала повърхност или заровени предмети, като например големи камъни, корени или пънове.



▲ ВНИМАНИЕ

Когато премествате продукта от едно място на друго, винаги изключвайте мотора и изчаквайте култиваторните лапи да спрат напълно движението си. Когато премествате продукта, не позволявайте на култиваторните лапи да се влечат по земята. Култиваторните лапи и самият продукт могат да се повредят дори ако моторът е изключен.

СЪВЕТИ ЗА РАБОТА С ПРОДУКТА

- Операторът трябва да стои зад ръкохватния лост, за да намали риска от нараняване при евентуален контакт с движещите се части или при отхвърчане на предмет. Никога не стойте отстрани



или пред ръкохватния лост, докато продуктът работи.

- Винаги носете защитни очила. Когато работите с продукта, винаги носете неплъзгащи се предпазни обувки.
- Продуктът прорязва и помага за изчистването на подземна растителност и корени, но култиваторните лапи могат да се заплетат в гъстата растителност или в плевелите над земята. Почистете зоната за култивиране с хросторез или с друго подобно средство и подгответе почвата, като премахнете всички големи отпадъци (напр. камъни, тухли, метални тръби) от работното пространство.
- Докато пазите крайниците си от култиваторните лапи, стартирайте мотора чрез натискане на превключвателния фиксатор и на копчето за включване/изключване, като в този момент култиваторните лапи трябва леко да бъдат повдигнати над земната повърхност. Спуснете култиваторните лапи върху земята, докато същевременно придържате здраво ръкохватния лост. В този момент, в зависимост от твърдостта на почвата, продуктът може да се опита да тръгне напред. Задръжте продукта и не му позволявайте да потегли напред, а култиваторните лапи ще започнат да се зариват в земята. Ако те не го направят, преместете продукта напред-назад (около 20 см е достатъчно разстояние) или леко задвижете ръкохватния лост нагоре-надолу – това ще спомогне на култиваторните лапи да достигнат необходимата работна дълбочина.
- Можете да регулирате дълбочината на култиваторните лапи, като премествате колелата по-близо или по-далече от тях. След като култиваторните лапи се зарият в земята до желаната дълбочина, внимателно задвижете продукта напред, като оставите моторът да си свърши работата. Ако култиваторните лапи се ударят в прекалено твърд предмет, който не може да бъде отместен или прорязан, продуктът може да повдигне височината си в опит да прекара лапите над препятствието. Спрете продукта и изчакайте пълното спиране на култиваторните лапи, преди да преминете към инспектиране или

отстраняване на препятствието.

- Ако почвата за култивиране е твърда или суха, по-добре предварително я полейте с вода, като внимавате да не я наводните прекомерно; изчакайте водата да се просмуче в почвата и да се оттече от повърхността, преди да започнете с култивирането.

ТРАНСПОРТИРАНЕ И СЪХРАНЕНИЕ

- За съхранение винаги изключвайте от електрическата мрежа и навивайте кабела.
- Спрете продукта и го изчакайте да се охладят, преди да го транспортирате или приберете за съхранение.
- Почистете продукта от всички чужди частици. Съхранявайте я на хладно, сухо и добре проветрявано място, което е недостъпно за деца. Не го оставяйте в близост до корозивни материали като градински химикали или соли за размразяване. Не съхранявайте на открито.
- Изтрийте култиваторните лапи с масло или ги напръскайте със силиконова смазка, за да предотвратите ръждясването им. Внимавайте за остри или повредени ръбове на култиваторните лапи.
- Смажете всички видими движещи се части. Не махайте капака на мотора.
- Когато транспортирате продукта, го обезопасете така, че да не може да се движи или да падне, защото това може да доведе до евентуални наранявания на хора или повреди по продукта.
- Не носете продукта, държейки го за предпазителя. Дръжте продукта само за ръкохватния лост или за предната ръкохватка, когато се налага да го вдигате или носите.

ПОДДРЪЖКА

▲ ПРЕДУПРЕЖДЕНИЕ

Използвайте само оригинални резервни части, аксесоари и приставки от производителя. В противен случай може да се влоши работата на инструмента или да получите тежки контузии, а гаранцията ви ще стане невалидна.

▲ ПРЕДУПРЕЖДЕНИЕ

Преди да извършвате дейности по поддръжка, почистване или обслужване на продукта, изключвайте захранващия кабел и изчакайте пълното спиране на всички движещи се части. При неспазване на тези указания може да се причинят тежки телесни повреди и сериозни материални щети.

Избягвайте използването на разтворители при почистването на пластмасовите части. Повечето пластмаси са чувствителни към различни видове разтворители и може да се повредят при използването на такива. Използвайте чисти парцали, за да премахнете кал, прах, масло, грес и т.н.

▲ ПРЕДУПРЕЖДЕНИЕ

В никакъв случай не позволявайте пластмасовите части да влизат в контакт със спирачни течности, нефтени продукти, проникващи масла и т.н. Те съдържат химически вещества, които могат да повредят, отслабят или разрушат пластмасата.

▲ ПРЕДУПРЕЖДЕНИЕ

Култиваторните лапи са много остри. Бъдете внимателни и носете здрави предпазни ръкавици, когато затягате, подменяте, почиствате или инспектирате болтовете.

- След всяка употреба на продукта почиствайте корпуса и ръкохватките с мека и суха кърпа, след което премахвайте отпадъците от култиваторните лапи с помощта на твърда четка.
- Периодично проверявайте дали всички

гайки, болтове и винтове са правилно затегнати, за да сте сигурни, че продуктът е в изправност.

- Само частите, които са посочени в списъка с резервни части, могат да бъдат ремонтирани или подменени от клиента. Всички останали части трябва да бъдат подменени в оторизиран сервизен център.

НЕПРЕДВИДЕНИ РИСКОВЕ.

Дори когато продуктът се използва по предназначение, е невъзможно напълно да се ограничи влиянието на определени рискови фактори. Описаните по-долу опасности могат да възникнат по време на работа, като операторът трябва да внимава за избягването на следното:

- Контакт с култиваторните лапи.
- Нараняване, причинено от вибрация. Дръжте продукта за предназначенияте ръкохватки и ограничавайте времето за работа.
- Излагането на шум може да доведе до увреждане на слуха. Носете антифони и ограничете излагането.
- Наранявания на очите в следствие на летящи отломки. По всяко време носете защитни средства за очите.

ΜΕΙΩΣΗ ΚΙΝΔΥΝΟΥ

Установено е, че вибрациите, произвеждани от ръчноуправляеми продукти, могат да предизвикат у някои лица заболяване, наречено Синдром на Рейнолд (Raynaud's Syndrome). Симптомите може да включват изтръпване, схващане и избледняване на пръстите, обикновено се забелязват при излагане на студ. Смята се, че наследствените фактори, излагането на студ и влага, диетите, пушенето и някои работни навици допринасят за развитието на тези симптоми. Могат да се вземат някои мерки, които могат да се предприемат от оператора, за да се намалят ефектите от вибрациите:

- Поддържайте телесната температура в студено време. Когато работите с продукта, носете ръкавици, за да поддържате ръцете и китките си топли. Според изследвания главният фактор, допринасящ за развитието на Raynaud's Syndrome, е студено време.

EN
FR
DE
ES
IT
NL
PT
DA
SV
FI
NO
RU
PL
CS
HU
RO
LV
LT
ET
HR
SL
SK
BG

- Правете упражнения за активизиране на кръвообращението след всеки работен цикъл.
- Редовно излизайте в почивка. Ограничете излагането на вибрации на ден.

При поява на някой от симптомите на това заболяване, незабавно прекратете употребата на инструмента и посетете лекар.

⚠ ПРЕДУПРЕЖДЕНИЕ

Продължителното използване на инструмента може да доведе до наранявания или влошаване. При използване на инструмента за продължителни периоди от време правете чести почивки.

ОПОЗНАЙТЕ ВАШИЯ ПРОДУКТ

Вж. страница 137.

1. Ръкохватка
2. Превключвател ПУСКАНЕ/СПИРАНЕ
3. Превключвателен фиксатор за включване/изключване
4. Захранващ кабел
5. Кабел за управление на двигателя
6. Държач на захранващия кабел
7. Държач на кабела за управление на мотора
8. Предна ръкохватка
9. Вътрешна култиваторна лапа
10. Външна култиваторна лапа
11. Колело
12. Регулируема стойка
13. Врътка на ръкохватния лост

СИМВОЛИ НА ПРОДУКТА



Прочетете и осмислете всички указания, преди да започнете работа с продукта; спазвайте всички предупреждения и инструкции за безопасност.



Носете антифони



Носете защитни средства за очи



Незабавно изключете щепсела от електрическата мрежа, ако кабелът е повреден, срязан или заплетен, както и преди да извършвате дейности по поддръжка.



Внимавайте за изхвърлени или летящи обекти. Не допускайте странични наблюдатели, особено деца и домашни животни, на по-малко от 15 м от работната зона.



Дръжте краката и ръцете си далече от въртящите се култиваторни лапи.



Дръжте захранващия кабел далече от режещите култиваторни лапи.



Електрическите уреди не трябва да се изхвърлят заедно с битовите отпадъци. Рециклирайте, където има възможност. Обърнете се за съвет по рециклирането към местните власти или разпространителите.



Тази машина е в съответствие с нормативната уредба на държавата от ЕС, където е била закупена.



EurAsian знак за съответствие.



Гарантираното ниво на шум е 93 dB.

Следните сигнални думи и техните съответни значения обясняват нивата на опасност, свързани с употребата на този продукт:

⚠ ОПАСНОСТ

Указва неминуемо опасна ситуация, която ако не бъде избегната, ще доведе до сериозни наранявания или смърт.

⚠ ПРЕДУПРЕЖДЕНИЕ

Указва потенциално опасна ситуация,

която ако не бъде избегната, може да доведе до сериозни наранявания или смърт.

⚠ ВНИМАНИЕ

Указва потенциално опасна ситуация, която ако не бъде избегната, може да доведе до дребни или средни наранявания.

ВНИМАНИЕ

Без предупредителен символ за безопасност

Указва ситуация, която може да доведе до имуществени щети.

СИМВОЛИ В НАСТОЯЩОТО РЪКОВОДСТВО



Свържете към електрически контакт.



Изключете от електрическия контакт



Частите или принадлежностите се продават отделно

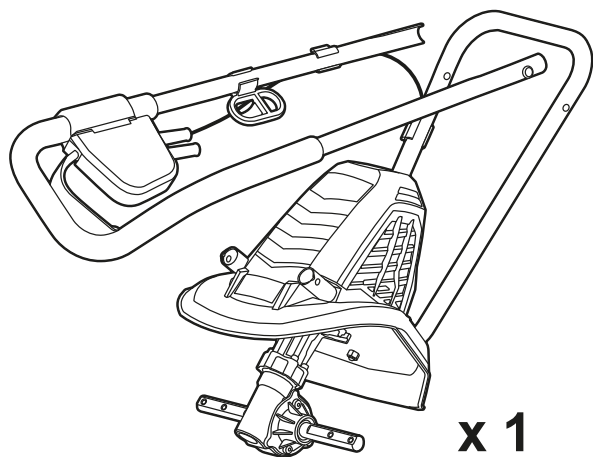


ЗАБЕЛЕЖКА:



ПРЕДУПРЕЖДЕНИЕ

EN
FR
DE
ES
IT
NL
PT
DA
SV
FI
NO
RU
PL
CS
HU
RO
LV
LT
ET
HR
SL
SK
BG



x 1

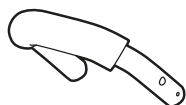


x 2



x 2

x 1



x 1

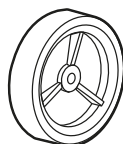
⊙ x 2



x 2



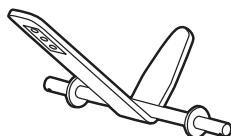
x 2



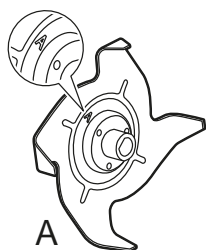
x 2



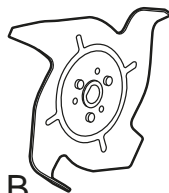
x 1



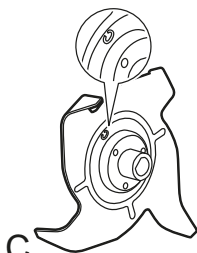
x 1



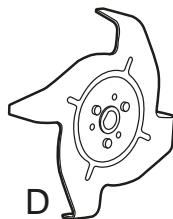
A



B

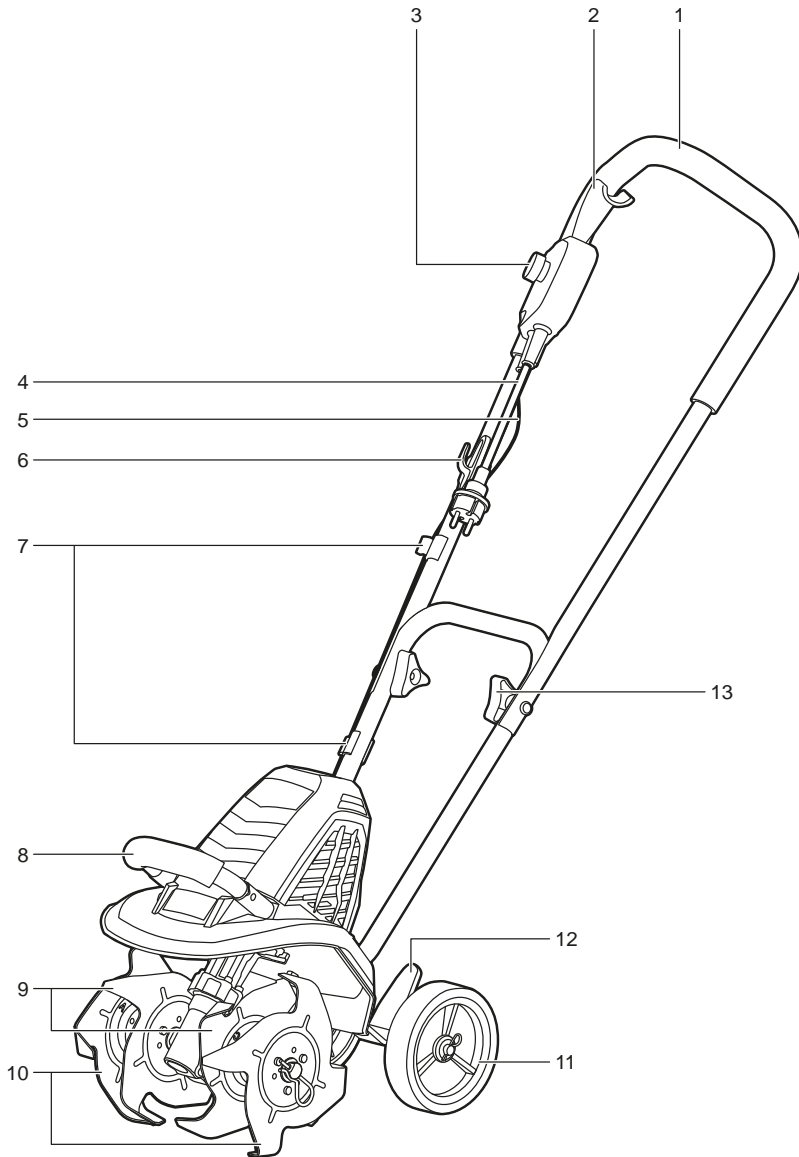


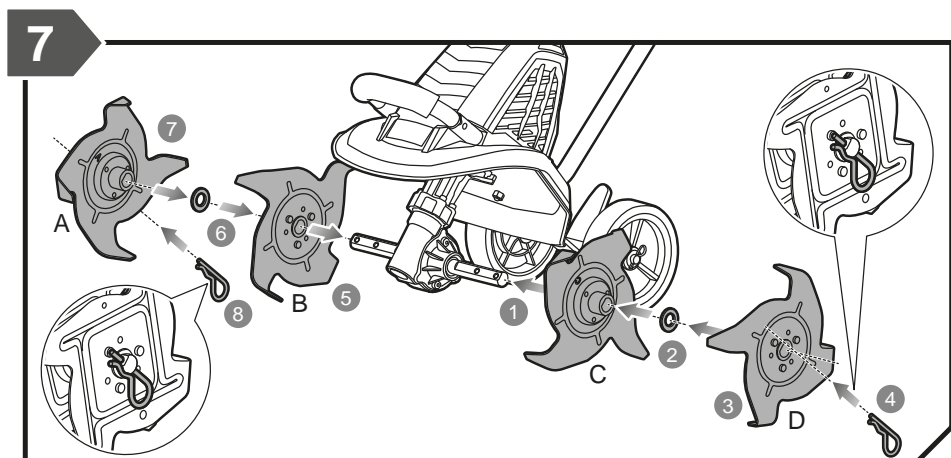
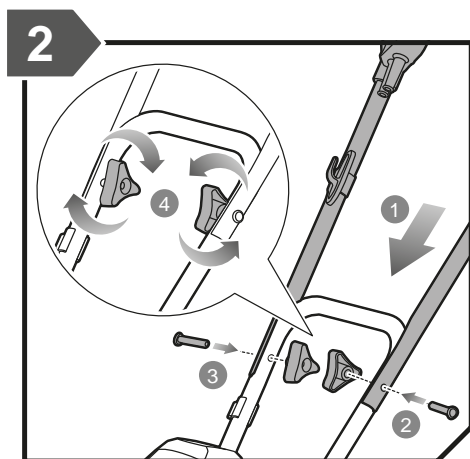
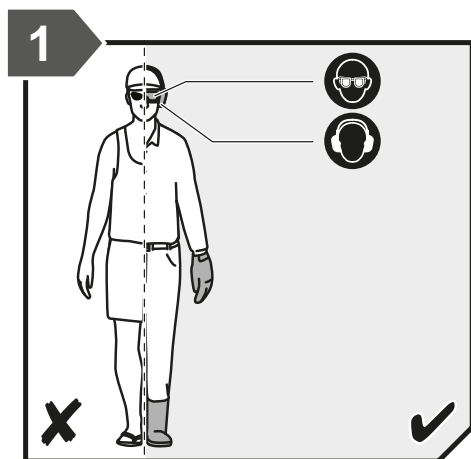
C

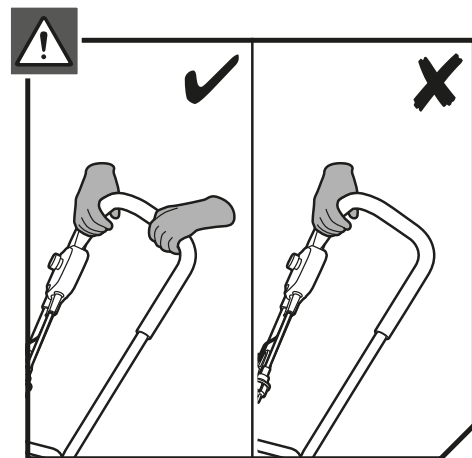
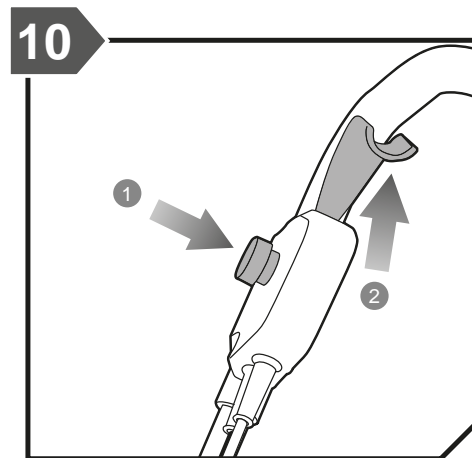
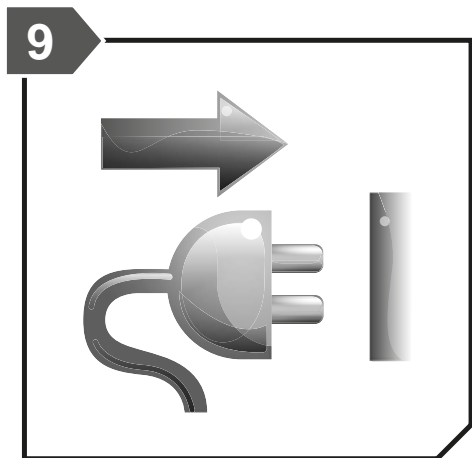
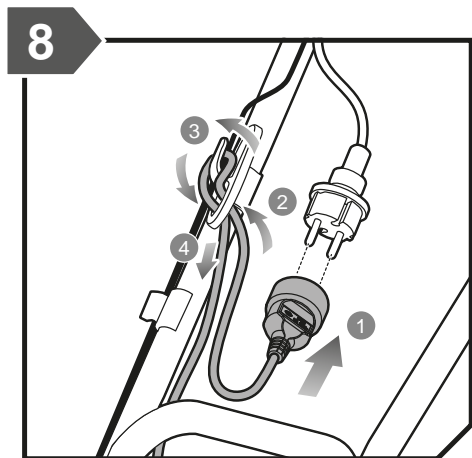
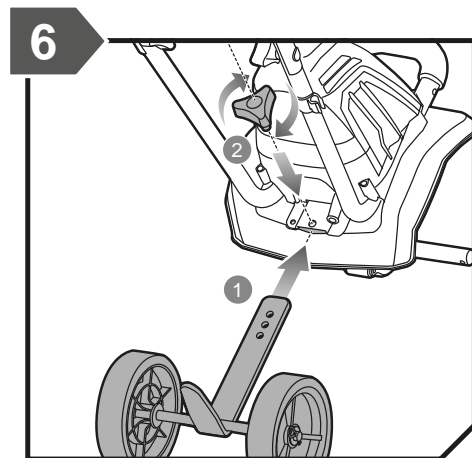
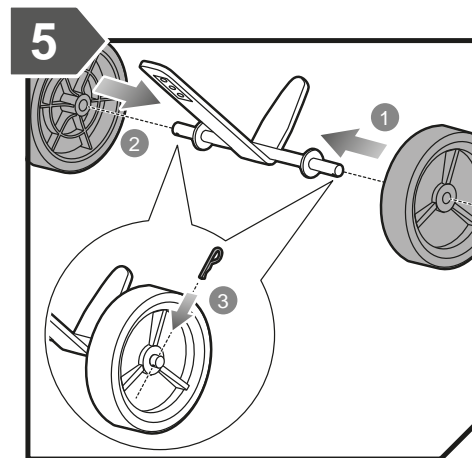
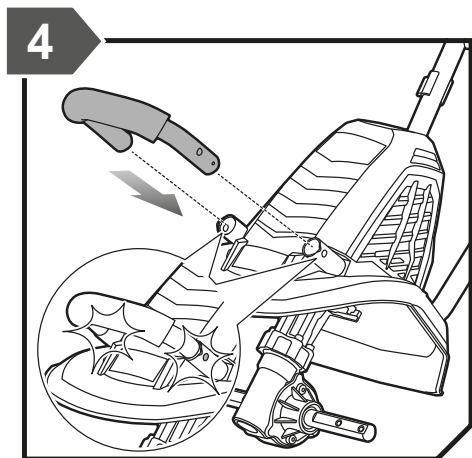
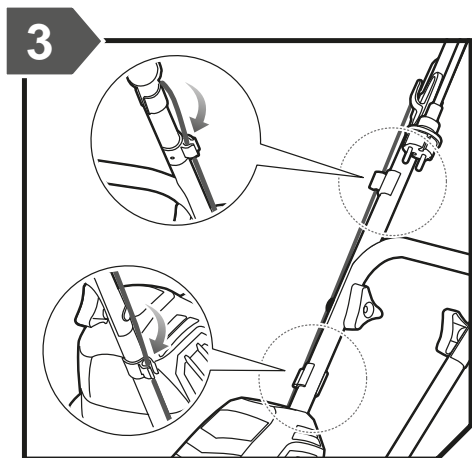


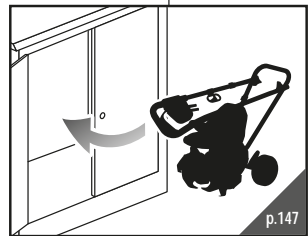
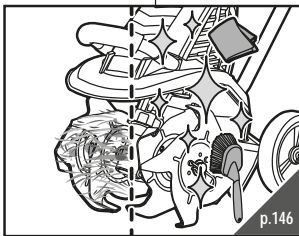
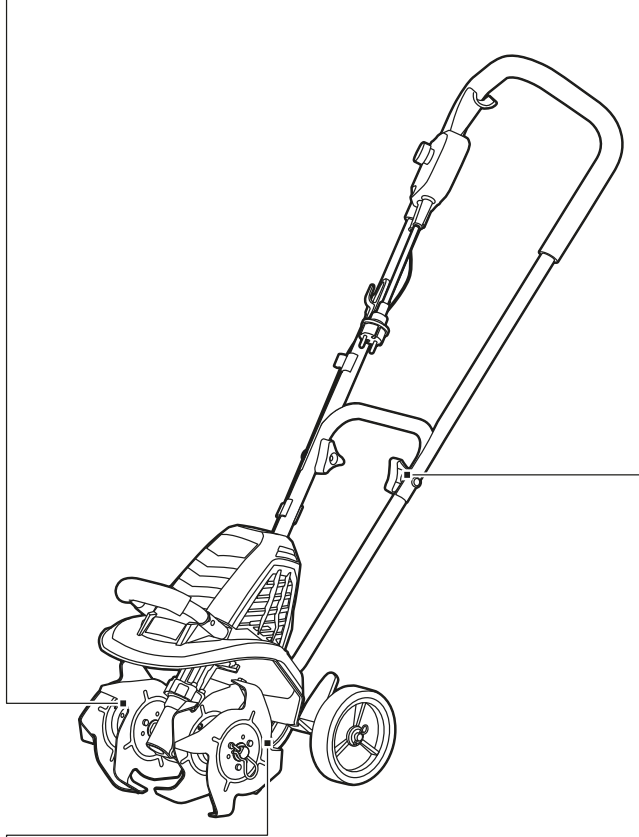
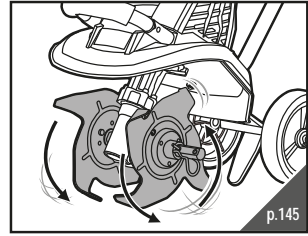
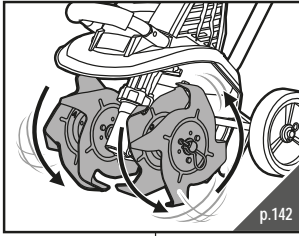
D

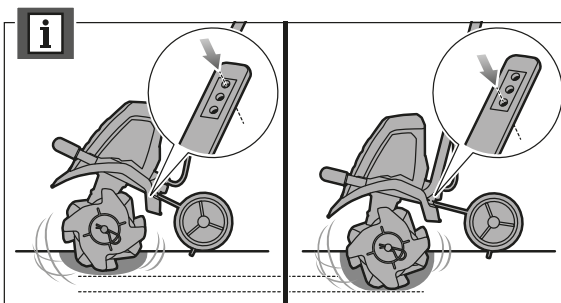
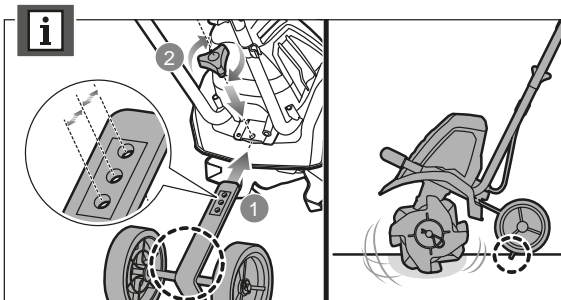
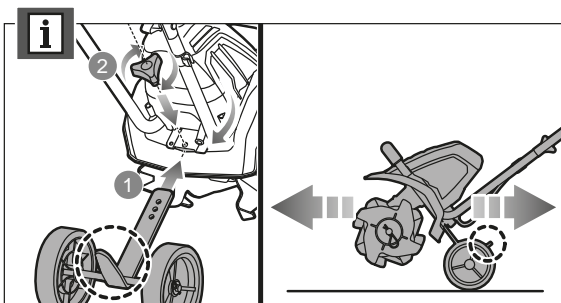
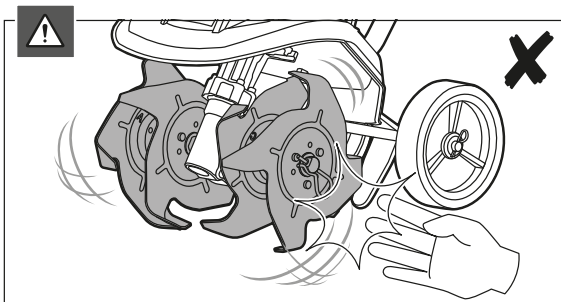
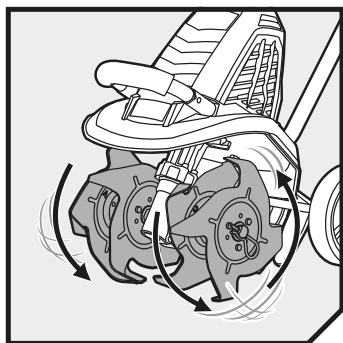
x 1

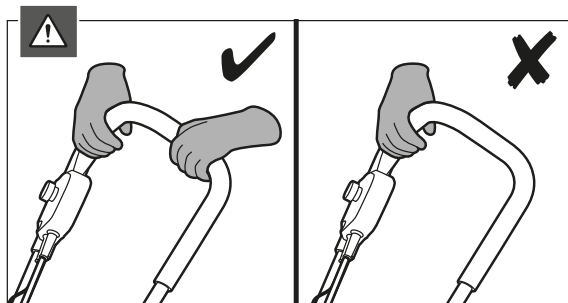
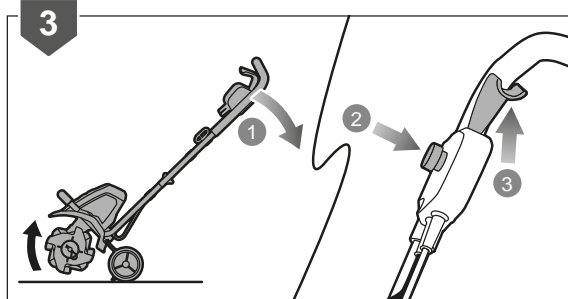
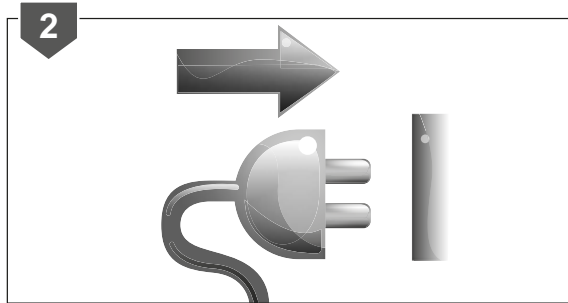
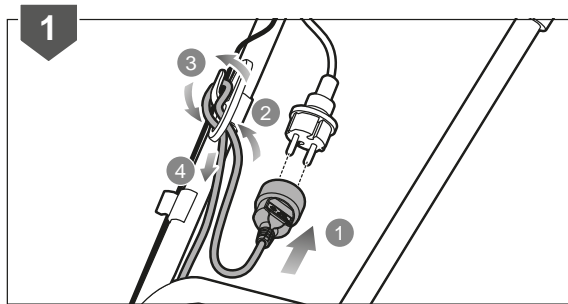


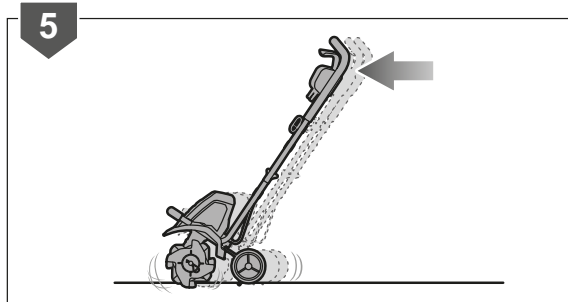
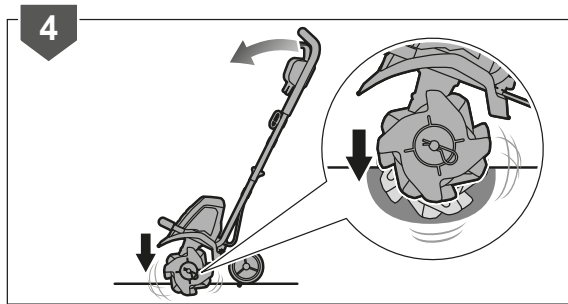


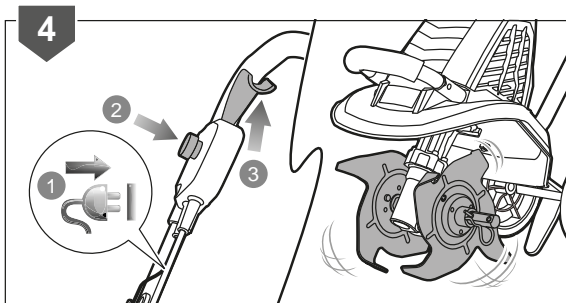
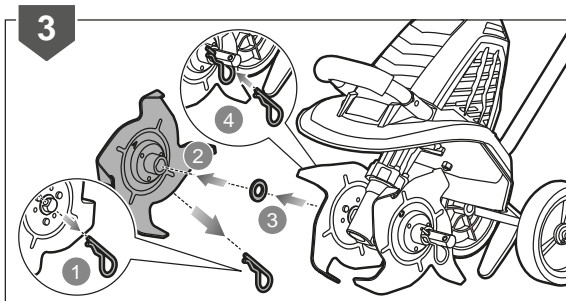
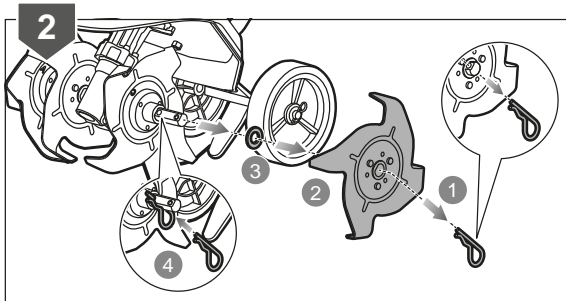
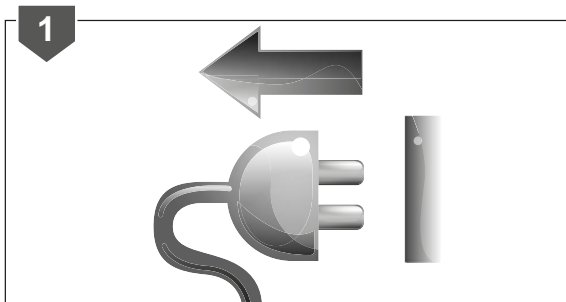
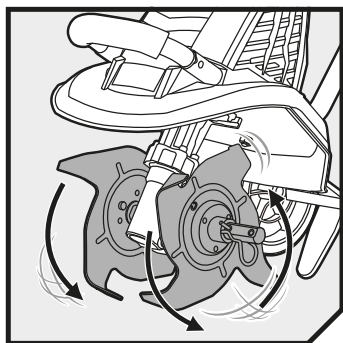


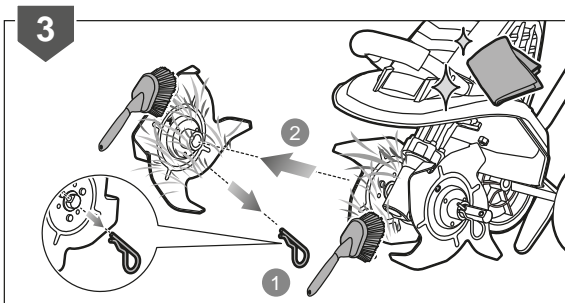
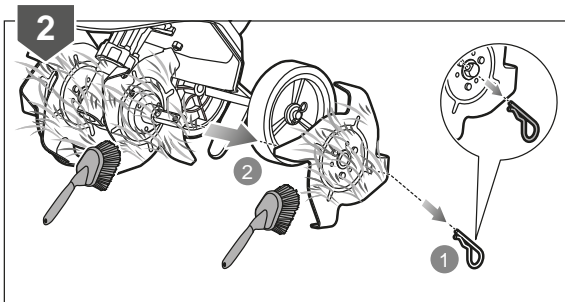
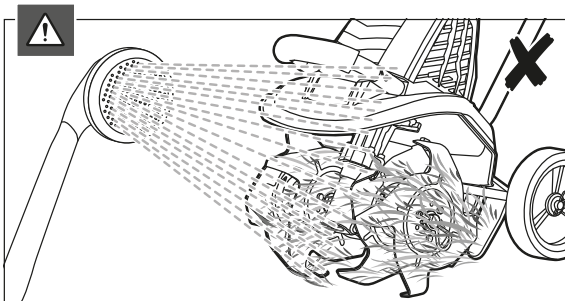
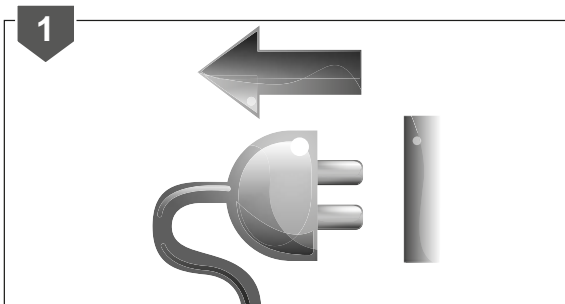
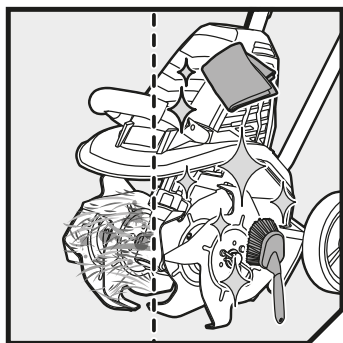


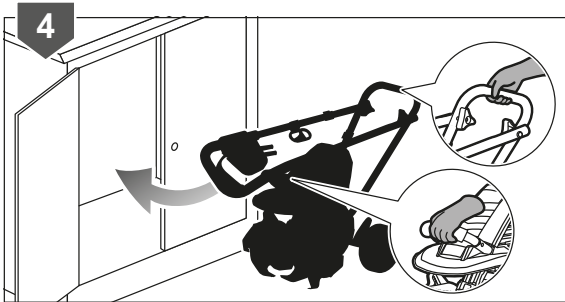
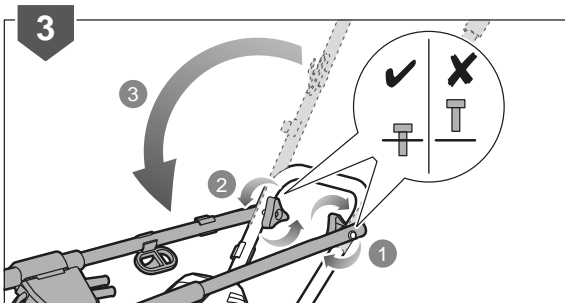
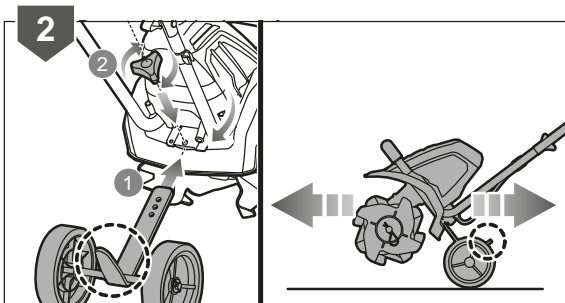
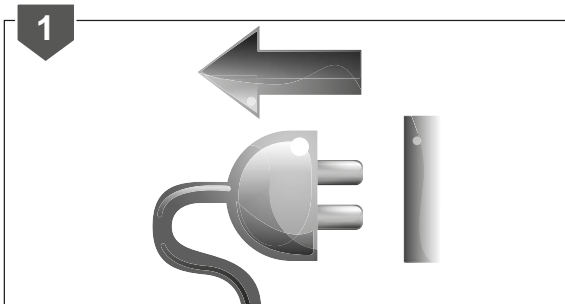
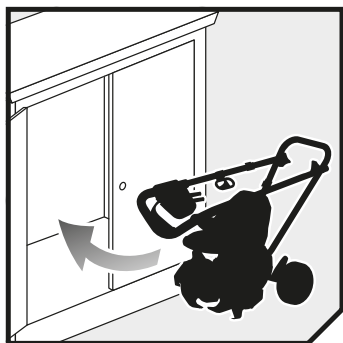












20150302v1

English	Français	Deutsch	Español	Italiano	Nederlands
Product specifications	Caractéristiques produit	Produkt-Spezifikationen	Especificaciones del producto	Caratteristiche del prodotto	Productgegevens
Electric cultivator	Motobineuse électrique	Elektrischer Kultivator	Arado eléctrico	Motocoltivatore elettrico	Elektrische cultivator
Rated power	Puissance nominale	Nennaufnahmeleistung	Potencia clasificada	Alimentazione	Vermogen
Rated voltage	Tension nominale	Nennspannung	Tensión nominal	Voltaggio nominale	Toegekende spanning
No-load speed	Vitesse de rotation	Leerlaufdrehzahl	Velocidad sin carga	Velocità senza carico	Snelheid zonder lading
Maximum working width	Largeur maximale de travail	Maximale Arbeitsbreite	Anchura máxima admisible	Amplezza massima di funzionamento	Maximale werkdiepte
Vibration level (in accordance with EN 709:1997+A4:2009)	Niveau de vibrations (selon EN 709:1997+A4:2009)	Vibrationsgrad (gemäß EN 709:1997+A4:2009)	Nivel de vibración (de acuerdo con EN 709:1997+A4:2009)	Livello di vibrazioni (in accordo con la direttiva EN 709:1997+A4:2009)	Trillingsniveau (in overeenstemming met EN 709:1997+A4:2009)
Right handle	Poignée droite	Rechter griff	Empuñadura derecha	Manico destro	Rechter handgreep
Left handle	Poignée gauche	Linker griff	Empuñadura izquierda	Manico sinistro	Linker handgreep
Uncertainty of measurement	Incertitude de la mesure	Unsicherheit der Messung	Incertidumbre de medición	Incertezza della misurazione	Onzekerheid bij meting
Noise emission level (in accordance with EN 709:1997+A4:2009)	Niveau d'émission sonore pondéré A au niveau de l'opérateur	Geräuschemission (gemäß EN 709:1997+A4:2009)	Nivel de emisión de ruido (de acuerdo con EN 709:1997+A4:2009)	Livello di emissione rumorì (in accordo con la direttiva EN 709:1997+A4:2009)	Niveau geluidsemissie (in overeenstemming met EN 709:1997+A4:2009)
A-weighted sound pressure level at operator's position	Niveau de pression sonore pondéré A au niveau de l'opérateur	A-bewerteter Schalldruckpegel an der Position des Benutzers	Nivel de presión sonora ponderado A en la posición del operario	Livello di pressione sonora ponderata A alla posizione dell'operatore	A-gewogen geluidsrukniveau bij positie van gebruiker
Uncertainty of measurement	Incertitude de la mesure	Unsicherheit der Messung	Incertidumbre de medición	Incertezza della misurazione	Onzekerheid bij meting
A-weighted sound power level	Niveau de puissance sonore pondéré-A	A-bewerteter Schalleistungspegel	Nivel de potencia acústica ponderada en A	Livello di potenza sonora pesato A	A-gewogen geluidsniveau
Uncertainty of measurement	Incertitude de la mesure	Unsicherheit der Messung	Incertidumbre de medición	Incertezza della misurazione	Onzekerheid bij meting
Weight	Poids	Gewicht	Peso	Peso	Gewicht
Replacement part	Pièces de Rechange	Ersatzteile	Piezas de repuesto	Parti di ricambio	Vervangonderdelen
Tine (A)	Fraise (A)	Zinken (A)	Diente (A)	Dente (A)	Schoep (A)
Tine (B)	Fraise (B)	Zinken (B)	Diente (B)	Dente (B)	Schoep (B)
Tine (C)	Fraise (C)	Zinken (C)	Diente (C)	Dente (C)	Schoep (C)
Tine (D)	Fraise (D)	Zinken (D)	Diente (D)	Dente (D)	Schoep (D)
Wheel hitch pin	Goupille d'attelage de roue	Rad-Steckbolzen	Clavija de enganche de la rueda	Perno di aggancio ruote	Wieltrekpen
Tine hitch pin	Goupille d'attelage de fraise	Zinken-Steckbolzen	Clavija de enganche de la punta	Perno di aggancio denti	Trekschoeppen

Português	Dansk	Svenska	Suomi	Norsk	Русский	
Características do aparelho	Produktspecifikationer	Produktspecifikationer	Tuotteen tekniset tiedot	Produktspecificasjoner	Характеристики изделия	
Alfaia elétrica	Elektrisk kultivator	Elektrisk kultivator	Sähkökäyttöinen kultivaattori	Elektrisk jordfreser	Электрокультиватор	
Potência nominal	Strøm	Effekt	Moottoriteho	Oppgitt ytelse	Номинальная сила	1150 W
Tensão nominal	Mærkespænding	Spänning	Nimellisjännite	Nominell spenning	Номинальное напряжение	230-240V ~ 50 Hz
Velocidade sem carga	Tomgangshastighed	Hastighet utan belastning	Nopeus ilman kuormaa	Tomgangshastighet	Холостая скорость	340 min ⁻¹
Largura máxima admissível	Max arbejdsbredde	Max arbetsbredd	Suurin työleveys	Maksimum arbeidsbredde	Максимальная рабочая ширина	25 cm
Nível de vibração (em conformidade com EN 709:1997+A4:2009)	Vibrationsniveau (iht. EN 709:1997+A4:2009)	Vibrationsnivå (enligt EN 709:1997+A4:2009)	Tärinätao (standardin EN 709:1997+A4:2009 mukaisesti)	Vibrasjonsnivå (iht. EN 709:1997+A4:2009)	Уровень вибрации (в соответствии с EN 709:1997+A4:2009)	
Punho direito	Højre håndtag	Höger handtag	Oikea kahva	Høyre håndtak	Правой ручки	3,2 m/s ²
Punho esquerdo	Venstre håndtag	Vänster handtag	Vasen kahva	Venstre håndtak	Левой ручки	3,3 m/s ²
Incerteza de medições	Målingsusikkerhed	Osäkerhet i mätningar	Mittausten epätarkkuus	Usikkerhet ved måling	Погрешность измерения	1,5 m/s ²
Nível de emissão de ruído (em conformidade com EN 709:1997+A4:2009)	Støjemissionsniveau (iht. EN 709:1997+A4:2009)	Bullernivå (enligt EN 709:1997+A4:2009)	Melutaso (standardin EN 709:1997+A4:2009 mukaisesti)	Støyemissionsnivå (iht. EN 709:1997+A4:2009)	Уровень шума (в соответствии с EN 709:1997+A4:2009)	
Nível de pressão sonora ponderada A na posição do operador	A-vægtet lydtrykniveau ved operatørens position	A-viktad ljudtrycksnivå vid operatörsplats	A-painotettu käyttäjään kohdistuva äänenpainetaso	Støynivåvektning ved operatørens posisjon	Амплитудно-взвешенный уровень звукового давления в рабочем месте оператора	79,7 dB(A)
Incerteza de medições	Målingsusikkerhed	Osäkerhet i mätningar	Mittausten epätarkkuus	Usikkerhet ved måling	Погрешность измерения	2,5 dB
Nível de potência sonora ponderada A	A-vægtet lydeffektniveau	A-vägd lydeffektnivå	A-painotettu äänenteho	A-vektet lydeffektnivå	Уровень А-взвешенной звуковой мощности	90,2 dB(A)
Incerteza de medições	Målingsusikkerhed	Osäkerhet i mätningar	Mittausten epätarkkuus	Usikkerhet ved måling	Погрешность измерения	0,76 dB
Peso	Vægt	Vikt	Paino	Vekt	Вес	13,6 kg
Peças de substituição	Reserve dele	Utbytesdelar	Varaosat	Erstatningsdeler	Запасные части	
Dente (A)	Kniv (A)	Tänderna (A)	Piikki (A)	Tinder (A)	Культиваторная лапа (A)	099717001003
Dente (B)	Kniv (B)	Tänderna (B)	Piikki (B)	Tinder (B)	Культиваторная лапа (B)	099717001004
Dente (C)	Kniv (C)	Tänderna (C)	Piikki (C)	Tinder (C)	Культиваторная лапа (C)	099717001005
Dente (D)	Kniv (D)	Tänderna (D)	Piikki (D)	Tinder (D)	Культиваторная лапа (D)	099717001006
Cavilha de engate da roda	Hjul-låsestift	Låsprint, hjul	Pyörän sokka	Pinne for feste av hjul	Сцепной штырь колеса	099717001001
Cavilha de engate da ponta	Kniv-låsestift	Låsprint, tand	Piikin sokka	Pinne for feste av tinder	Сцепной штырь культиваторной лапы	099717001002

Polski	Čeština	Magyar	Română	Latviski	Lietuviškai
Parametry techniczne	Technické údaje produktu	Termék műszaki adatai	Specificațiile produsului	Produkta specifikācijas	Gaminio techninės savybės
Kultywator elektryczny	Elektrický kultivátor	Elektromos talajlazító	Cultivator electric	Elektriskais kultivators	Elektrinis kultivatorius
Moc znamionowa	Jmenovitý výkon	Névleges teljesítmény	Putere nominală	Nominālā jauda	Nominalus galinumas
Napięcie znamionowe	Jmenovitě napětí	Névleges feszültség	Tensiunea nominală	Nominālais spriegums	Nominali įtampa
Prędkość obrotowa bez obciążenia	Rychlost naprázdno	Üresjárati fordulatszám	Viteză fără sarcină	Greitis be apkrovimo	Greitis be apkrovimo
Maksymalna szerokość pracy	Maximální pracovní šířka	Maximális munkaszélesség	Lățime maximă de lucru	Maksimālais darba platums	Maksimalus darbinis plotis
Poziom drgań (zgodnie z normą EN 709:1997+A4:2009)	Úroveň vibrací (v souladu s EN 709:1997+A4:2009)	Vibrációs szint (az EN 709:1997+A4:2009 szerint)	Nivelul vibrațiilor (în conformitate cu EN 709:1997+A4:2009)	Vibrācijas līmenis (saskaņā ar EN 709:1997+A4:2009)	Vibracijos lygis (pagal EN 709:1997+A4:2009 standartą)
Uchwyt prawy	Pravá rukojeť	Jobb oldali fogantyú	Măner dreapta	Labais rokturis	Dešinė rankena
Uchwyt lewy	Levá rukojeť	Bal oldali fogantyú	Măner stânga	Kreisais rokturis	Kairė rankena
Niepewność pomiaru	Nejistota měření	Mérés bizonytalansága	Incertitudine a măsurării.	Mērījuma mainīgums	Matmenų paklaida
Poziom emisji hałasu (zgodnie z normą EN 709:1997+A4:2009)	Hladina emise hluku (v souladu s EN 709:1997+A4:2009)	Zajkibocsátási szint (az EN 709:1997+A4:2009 szerint)	Nivel emisie zgomot (în conformitate cu EN 709:1997+A4:2009)	Trokšņa emisijas līmenis (saskaņā ar EN 709:1997+A4:2009)	Triukšmo emisijų norma (pagal EN 709:1997+A4:2009 standartą)
Poziom ciśnienia akustycznego w pozycji operatora	Hladina akustického tlaku vážená funkcií A v poloze obsluhy	A-súlyozott hangteljesítményszint a kezelő helyén	Un nivel de presiune al sunetului mai tare la poziția operatorului.	Lietotāja pozīcijā ir ar A novērtēts skaņas spiediena līmenis.	A lygio svertis garso slėgis operatoriaus padėtyje.
Niepewność pomiaru	Nejistota měření	Mérés bizonytalansága	Incertitudine a măsurării.	Mērījuma mainīgums	Matmenų paklaida
A-ważony poziom natężenia hałasu	Hladina akustického výkonu vážená funkcií A	A-súlyozott hangteljesítményszint	Nivel de putere acustică ponderată A	A-līmeņa skaņas jaudas līmenis	A svertisinis garso galios lygis
Niepewność pomiaru	Nejistota měření	Mérés bizonytalansága	Incertitudine a măsurării.	Mērījuma mainīgums	Matmenų paklaida
Ciężar	Hmotnost	Gépsúly	Greutate	Svars	Svoris
Części zamienne	Náhradní díly	Cserealkatrészek	Piese de schimb	Rezerves daļas	Atsarginės detalės
Ząb (A)	Kypřící nůž (A)	Kapa (A)	Cuțit (A)	Tapa (A)	Akėtvirbalis (A)
Ząb (B)	Kypřící nůž (B)	Kapa (B)	Cuțit (B)	Tapa (B)	Akėtvirbalis (B)
Ząb (C)	Kypřící nůž (C)	Kapa (C)	Cuțit (C)	Tapa (C)	Akėtvirbalis (C)
Ząb (D)	Kypřící nůž (D)	Kapa (D)	Cuțit (D)	Tapa (D)	Akėtvirbalis (D)
Sworzeń sprzęgu koła	Závlačka kola	Kerék biztosítószeg	Cui de prindere roată	Riteņa viras rēdze	Rato priekabos kaištis
Sworzeń sprzęgu zęba	Závlačka kypřičiho nože	Kapa biztosítószeg	Cui de prindere cuțit	Tapas viras rēdze	Akėtvirbalio priekabos kaištis

Eesti	Hrvatski	Slovensko	Slovenčina	България	
Toote tehnilised andmed	Specifikacije proizvoda	Specifikacije izdelka	Špecifikácie produktu	Технически характеристики	
Elektrikultivaator	Električni kultivator	Električni kultivator	Elektrický kultivátor	Електрически култиватор	
Nimivõimsus	Nazivna snaga	Omejena moč	Menovitý výkon	Номинална мощност	1150 W
Nimipinge	Nazivni napon	Nazivna napetost	Menovité napätie	Номинален волтаж	230-240V ~ 50 Hz
Tühikäigukirus	Brzina bez opterećenja	Hitrost neobremenjenega motorja	Rýchlosť naprázdno	Скорост в ненатоварен режим	340 min ⁻¹
Maksimaalne töölaius	Maksimalna radna širina	Maksimalna delovna širina	Maximálna pracovná šírka	Максимална работна ширина	25 cm
Vibratsioonitase (vastavalt standardile EN 709:1997+A4:2009)	Razina vibracije (u skladu s EN 709:1997+A4:2009)	Raven vibracij (v skladu s standardom EN 709:1997+A4:2009)	Úroveň vibrácií (podľa normy EN 709:1997+A4:2009)	Ниво на вибрация (в съответствие с EN 709:1997+A4:2009)	
Parempoolne käepide	Desna ručica	Desni ročaj	Pravá rukoväť	Дясната ръкохватка	3,2 m/s ²
Vasakpoolne käepide	Lijeva ručica	Levi ročaj	Ľavá rukoväť	Лявата ръкохватка	3,3 m/s ²
Mõõtmismääramatus	Neodređenost mjerenja	Negotovost meritev	Nespoľahlivosť meraní	Несигурност на измерването	1,5 m/s ²
Müraemissiooni tase (vastavalt standardile EN 709:1997+A4:2009)	Razina emitirane buke (u skladu s EN 709:1997+A4:2009)	Raven emisij hrupa (v skladu s standardom EN 709:1997+A4:2009)	Úroveň emisii hluku (podľa normy EN 709:1997+A4:2009)	Ниво на шумова емисия (в съответствие с EN 709:1997+A4:2009)	
A-kaalutud müraemissiooni rõhu tase operatoori töökohtal	A-ponderirana razina zvočnog tlaka u položaju operatera	A-izmerjena raven zvočnega tlaka pri položaju upravljalca	Vážená A hladina akustického tlaku na pozícii obsluhujúcej osoby.	Равнище A на нивото на шумовото налягане на мястото на оператора.	79,7 dB(A)
Mõõtmismääramatus	Neodređenost mjerenja	Negotovost meritev	Nespoľahlivosť meraní	Несигурност на измерването	2,5 dB
A-kaalutud helivõimsuse tase	Ponderirana razina zvučne snage	A-izmerjena raven zvočne moči	Vážená A hladina akustického výkonu	Ниво на силата на шума с равнище A	90,2 dB(A)
Mõõtmismääramatus	Neodređenost mjerenja	Negotovost meritev	Nespoľahlivosť meraní	Несигурност на измерването	0,76 dB
Kaal	Težina	Teža	Hmotnosť	Тегло	13,6 kg
Asendusosad	Zamjena dijelova	Nadomestni deli	Náhradné diely	Резервни части	
Lõiketera (A)	Nož (A)	Rezilo (A)	Hrot (A)	Култиваторна лапа (A)	099717001003
Lõiketera (B)	Nož (B)	Rezilo (B)	Hrot (B)	Култиваторна лапа (B)	099717001004
Lõiketera (C)	Nož (C)	Rezilo (C)	Hrot (C)	Култиваторна лапа (C)	099717001005
Lõiketera (D)	Nož (D)	Rezilo (D)	Hrot (D)	Култиваторна лапа (D)	099717001006
Ratta vedrutihvt	Zatik za zglobnu vezu za kolač	Varnostni zatič kolesa	Kolík s háčikom (pre koleso)	Осигурителен шифт за колелото	099717001001
Lõiketera vedrutihvt	Zatik za zglobnu vezu za nož	Varnostni zatič rezila	Kolík s háčikom (pre hrot)	Осигурителен шифт за култиваторната лапа	099717001002

EN GUARANTEE

In addition to any statutory rights resulting from the purchase, this product is covered by a guarantee as stated below.

1. The guarantee period is 24 months for consumers and commences on the date when the product was purchased. This date has to be documented by an invoice or other proof of purchase. The product is designed and dedicated to consumer and private use only. So there is no guarantee provided in case of professional or commercial use.
2. There is, in some cases (i.e. promotion, range of tools), a possibility to extend the warranty period over the period described above using the registration on the www.ryobitools.eu website. The eligibility of the tool is clearly displayed in stores and/or on packaging. The end user needs to register his/her newly-acquired tools online within 8 days from the date of purchase. The end user may register for the extended warranty in his country of residence if listed on the online registration form where this option is valid. Furthermore, end users must give their consent to the storage of the data which are required to enter online and they have to accept the terms and conditions. The registration confirmation receipt, which is sent out by e-mail, and the original invoice showing the date of purchase will serve as proof of the extended warranty. Your statutory rights remain unaffected.
3. The guarantee covers all defects of the product during the warranty period due to defaults in workmanship or material at the purchase date. The guarantee is limited to repair and/or replacement and does not include any other obligations including but not limited to incidental or consequential damages. The warranty is not valid if the product has been misused, used contrary to the instruction manual, or being incorrectly connected. This guarantee does not apply to
 - any damage to the product that is the result of improper maintenance
 - any product that has been altered or modified
 - any product where original identification (trade mark, serial number) markings have been defaced, altered or removed
 - any damage caused by non-observance of the instruction manual
 - any non CE product
 - any product which has been attempted to be repaired by a non-qualified professional or without prior authorization by Techtronic Industries
 - any product connected to improper power supply (amps, voltage, frequency)
 - any product used with inappropriate fuel mixture (fuel, oil, percentage of oil)
 - any damage caused by external influences (chemical, physical, shocks) or foreign substances
 - normal wear and tear of spare parts
 - inappropriate use, overloading of the tool
 - use of non-approved accessories or parts
 - carburettor after 6 months, carburettor adjustments after 6 months
 - components (parts and accessories) subject to natural wear and tear, including but not limited to bump knobs, drive belts, clutch, blades of hedge trimmers or lawn mowers, harness, cable throttle, carbon brushes, power cord, tines, felt washers, hitch pins, blower fans, blower and vacuum tubes, vacuum bag and straps, guide bars, saw chains, hoses, connector fittings, spray nozzles, wheels, spray wands, inner reels, outer spools, cutting lines, spark plugs, air filters, gas filters, mulching blades, etc.
4. For servicing, the product must be sent or presented to a RYOBI authorized service station listed for each country in the following list of service station addresses. In some countries your local RYOBI dealer undertakes to send the product to the RYOBI service organisation. When sending a product to a RYOBI service station, the product should be safely packed without any dangerous contents such as petrol, marked with sender's address and accompanied by a short description of the fault.
5. A repair/replacement under this guarantee is free of charge. It does not constitute an extension or a new start of the guarantee period. Exchanged parts or tools become our property. In some countries delivery charges or postage will have to be paid by the sender.
6. This guarantee is valid in the European Community, Switzerland, Iceland, Norway, Liechtenstein, Turkey and Russia. Outside these areas, please contact your authorized RYOBI dealer to determine if another warranty applies.

AUTHORISED SERVICE CENTRE

To find an authorised service centre near you, visit <http://uk.ryobitools.eu/header/service-and-support/service-agents>.

FR GARANTIE

En plus des droits statutaires liés à l'achat, ce produit est couvert par une garantie telle que décrite ci-dessous.

1. La durée de la garantie accordée au consommateur est de 24 mois à partir de la date d'achat. Cette date doit être authentifiée par une facture ou tout autre preuve d'achat. Le produit a été conçu en vue d'une utilisation strictement privée. Aucune garantie ne s'applique donc en cas d'utilisation professionnelle ou commerciale.
2. Il existe, dans certains cas (par exemple promotion, gamme d'outils), une possibilité d'étendre la période de garantie au-delà de la période précédemment décrite en utilisant le formulaire d'enregistrement présent sur le site Internet www.ryobitools.eu. L'éligibilité d'un outil est clairement affichée dans les points de vente et/ou sur l'emballage. L'utilisateur final doit enregistrer son/ses outil(s) nouvellement acheté(s) en ligne dans les 8 jours qui suivent la date d'achat. L'utilisateur a la possibilité de s'enregistrer pour l'extension de garantie dans son pays de résidence si celui-ci est listé dans le formulaire d'enregistrement en ligne où cette option est valide. L'utilisateur final doit donner son consentement pour l'enregistrement des données requises pour accéder au site et doit accepter les termes et conditions. La confirmation d'enregistrement, envoyée par courrier électronique, ainsi que la facture originale mentionnant la date d'achat serviront de preuve de l'extension de garantie. Vos droits statutaires restent inchangés.
3. La garantie couvre les défauts des pièces et de main d'oeuvre du produit pendant la période de garantie à partir de la date d'achat. La garantie n'inclut aucune autre obligation, tel que, mais sans s'y limiter, les dommages accessoires ou indirects. La garantie est non valable en cas de mauvaise utilisation du produit, d'utilisation contraire aux instructions du mode d'emploi, ou en cas de branchement incorrect. Cette garantie ne s'applique pas pour :
 - tout dommage au produit résultant d'un mauvais entretien
 - tout produit ayant été altéré ou modifié
 - tout produit dont les marquages originaux d'identification (marque, numéro de série) ont été dégradés, altérés ou retirés
 - tout dommage causé par le non-respect des instructions du mode d'emploi
 - tout produit non CE
 - tout produit ayant subi une tentative de réparation par du personnel non qualifié ou sans autorisation préalable de Techtronic Industries
 - tout produit raccordé à une alimentation secteur non conforme (ampérage, voltage, fréquence)
 - tout produit utilisé avec un mélange inapproprié (essence, huile, pourcentage d'huile)
 - tout dommage causé par des influences extérieures (chimiques, physiques, chocs) ou par des substances étrangères
 - l'usure normale des pièces consommables
 - une utilisation inappropriée, une surcharge de l'outil
 - l'utilisation de pièces ou accessoires non agréés
 - les carburateurs après plus de 6 mois à compter de la date d'achat, également les réglages du carburateur après plus de 6 mois à compter de la date d'achat
 - les composants (pièces et accessoires) sujets à une usure naturelle, incluant de façon non exhaustive les têtes de fil à frapper, les courroies de transmission, les embrayages, les lames des taille-haies ou des tondeuses à gazon, les harnais, les câbles d'accélérateur, les charbons, les cordons d'alimentation, les fraises de cultivateurs, les rondelles feutre, les goupilles de fraise, les turbines et lame de broyage des souffleurs, les tubes de soufflage et d'aspiration des souffleurs, les sacs de souffleurs et leurs lanières, les guides-chaîne, les chaînes de tronçonneuses, les tuyaux et raccords, les buses et lances de nettoyeurs haute pression, les roues, les recharges de fil des têtes de coupe, les têtes de coupe, le fil de coupe, les bougies d'allumage, les filtres à air, les filtres à essence, etc.
4. Si le produit doit être réparé, envoyez-le à un service après-vente agréé RYOBI dont vous trouverez ci-dessous la liste pour chaque pays. Dans certains pays, votre revendeur RYOBI se chargera d'envoyer le produit à un centre de réparation RYOBI. Lorsque vous envoyez un produit à un service après-vente RYOBI, celui-ci doit être correctement emballé, sans contenir aucun produit dangereux tel que de l'essence, et vous devez indiquer votre adresse ainsi qu'une courte description du problème.
5. Une réparation / un remplacement sous garantie est gratuit(e). Ceci ne constituera pas une extension de garantie ni un nouveau départ de la période de garantie. Les pièces ou les outils remplacés deviennent notre propriété. Dans certains pays, les frais de port devront être assumés par l'expéditeur.
6. Cette garantie est valable au sein de l'Europe, de la Suisse, de l'Islande, de la Norvège, du Liechtenstein, de la Turquie, de la Russie. En dehors de ces zones, veuillez contacter votre distributeur agréé RYOBI pour déterminer si une autre garantie s'applique.

SERVICE APRÈS-VENTE AGRÉÉ

Pour trouver le service après-vente agréé le plus proche, rendez-vous sur <http://fr.ryobitools.eu/header/service-and-support/service-agents>.



DE GARANTIE

Zusätzlich zu den aufgrund des Kaufs entstehenden gesetzlichen Rechten, ist dieses Produkt von der unten aufgeführten Garantie abgedeckt.

- Die Garantiezeit für Endverbraucher beträgt 24 Monate für und beginnt ab dem Kaufdatum des Produktes. Dieses Datum muss durch eine Rechnung oder einen anderen Kaufbeleg dokumentiert sein. Das Produkt ist ausschließlich für den Privatgebrauch entwickelt und bestimmt. Deshalb wird keine Garantie im Fall von professionellem oder kommerziellem Einsatz angeboten.
- In einigen Fällen (z.B. Promotion, auf eine bestimmte Produktpalette oder auf bestimmte Produkte begrenzt) besteht die Möglichkeit die Garantiezeit über den oben genannten Zeitraum, durch Registrierung auf der Webseite www.ryobitools.eu, zu verlängern. Der verlängerte Garantieanspruch für ein bestimmtes Produkt wird deutlich in den Geschäften und/oder auf der Verpackung des Produktes gezeigt. Der Endverbraucher muss seine neu gekauften Produkte innerhalb von 8 Tagen ab Kaufdatum registrieren. Der Endverbraucher kann sich für die erweiterte Garantie im Land seines permanenten Wohnsitzes registrieren, wenn diese Möglichkeit in dem Online-Formular gegeben ist. Des weiteren müssen die Endverbraucher ihr Einverständnis zur Speicherung der online angegebenen Daten geben und die Geschäftsbedingungen annehmen. Die per E-Mail verschickte Bestätigung der Registrierung und die Originalrechnung mit Kaufdatum dienen als Nachweis für die verlängerte Garantie. Ihre gesetzlichen Rechte bleiben unangetastet.
- Die Garantie deckt während der Garantiezeit ab Kaufdatum alle Produktmängel aufgrund von Material- oder Herstellungsmängeln ab. Diese Garantie ist auf Reparatur und/oder Ersatz beschränkt und enthält keine weitere Verpflichtungen einschließlich aber nicht beschränkt auf beiläufige oder resultierende Schäden. Die Garantie ist nicht gültig, wenn das Produkt missbräuchlich oder entgegen der Bedienungsanleitung benutzt, oder falsch angeschlossen wurde. Diese Garantie gilt nicht für:
 - Jegliche Schäden die an dem Produkt aufgrund falscher Wartung entstehen.
 - Jedes Produkt das verändert oder modifiziert wurde.
 - Jedes Produkt an dem die originale Identifizierung (Markenzeichen, Seriennummer) verunstaltet, verändert oder entfernt wurden.
 - Jede Beschädigung die durch Nichtbeachtung der Bedienungsanleitung verursacht wurde.
 - Jedes Produkt ohne CE Zeichen.
 - Jedes Produkt das von einer unqualifizierten Person oder ohne vorherige Genehmigung von Techtronic Industries versucht wurde zu reparieren.
 - Jedes Produkt das an eine falsche Stromversorgung (Ampere, Spannung, Frequenz) angeschlossen wurde.
 - Jedes Produkt das mit einer falschen Treibstoffmischung (Treibstoff, Öl, Prozentanteil von Öl) betrieben wurde.
 - Jede Beschädigung die von äußeren Einflüssen (chemisch, physisch, Stöße) oder fremden Substanzen verursacht wurde.
 - Normaler Verschleiß und Abnutzung von Ersatzteilen.
 - Zweckwidrige Benutzung, Überlastung des Werkzeugs.
 - Benutzung von nicht zugelassenem Zubehör oder Teilen.
 - Den Vergaser nach 6 Monaten, die Vergasereinstellung nach 6 Monaten.
 - Teile (Teile und Zubehörteile) die normale Verschleiß unterliegen, einschließlich aber nicht beschränkt auf Fadenköpfe, Antriebsriemen, Kupplungen, Kingen von Heckenschneidern oder Rasenmähern, Gurtzeug, Gaszügen, Kohlebürsten, Netzkabel, Zinken, Filzunterlegscheiben, Anhängstifte, Gebläse, Gebläse- und Saugschläuche, Saugbeutel und Riemen, Führungsschienen, Sägeketten, Schläuche, Anschlüsse, Sprühdüsen, Räder, Sprühlanzen, innere Rollen, äußere Spulen, Schneidfläden, Zündkerzen, Luftfilter, Treibstofffilter, Mulchmesser usw.
- Zur Wartung muss das Produkt eingeschickt werden oder einem für jedes Land in der folgenden Liste aufgeführten autorisierten RYOBI Kundendienst gebracht werden. In einigen Ländern schickt Ihr örtlicher RYOBI Händler das Produkt an den RYOBI Kundendienst. Wenn ein Produkt an den RYOBI Kundendienst geschickt wird, sollte es sicher verpackt werden, ohne gefährlichen Inhalt, wie Treibstoff, mit der Absenderadresse versehen sein und eine kurze Beschreibung des Fehlers enthalten.
- Reparatur/Ersatz unter dieser Garantie sind kostenfrei. Das stellt keine Verlängerung oder Neustart der Garantiezeit dar. Ausgewechselte Teile oder Werkzeuge treten in unseren Besitz über. In einigen Ländern müssen Lieferkosten oder Postgebühren von dem Absender getragen werden.
- Diese Garantie gilt in der Europäischen Gemeinschaft, Schweiz, Island, Norwegen, Lichtenstein, Türkei und Russland. Bitte kontaktieren Sie Ihren autorisierten RYOBI-Händler, um herauszufinden ob eine andere Gewährleistung außerhalb dieser Gebiete gültig ist.

AUTORISIERTER KUNDENDIENST

Besuchen Sie <http://de.ryobitools.eu/header/service-and-support/service-agents>, um einen autorisierten Kundendienst in Ihrer Nähe zu finden.

ES GARANTÍA

Además de cualquier derecho estatutario derivado de la compra, este producto está cubierto con la siguiente garantía.

- El período de garantía es de 24 meses para los consumidores y comienza a partir de la fecha de compra del producto. Esta fecha debe demostrarse con una factura u otra prueba de compra. El producto está diseñado y destinado al consumidor y únicamente para uso privado. Por tanto, no se ofrece ninguna garantía en caso de uso profesional o comercial.
- En algunos casos (como promociones o un conjunto de herramientas) existe la posibilidad de ampliar el período de garantía hasta el período descrito anteriormente mediante el registro en el sitio www.ryobitools.eu. La elegibilidad de la herramienta se muestra claramente en las tiendas o en el embalaje. El usuario final debe registrar sus herramientas recién adquiridas en línea en los 8 días siguientes a la fecha de compra. El usuario final podrá registrarse para ampliar la garantía en su país de residencia si éste aparece en el formulario de registro en línea en que esta opción es válida. Además, los usuarios finales deben dar su consentimiento para que se guarden los datos que se solicitan para entrar en línea y aceptar los términos y condiciones. El recibo de la confirmación de registro, que se enviará por correo electrónico, y la factura original que muestre la fecha de compra servirán como prueba de la ampliación de la garantía. Sus derechos estatutarios permanecerán intactos.
- La garantía cubre, durante el período de garantía, todos los defectos del producto que se deban a fallos de la mano de obra o a fallos del material en la fecha de compra. La garantía tiene un límite de reparación o sustitución y no incluye ninguna otra obligación se deba a, aunque sin limitarse a ello, daños accidentales o incidentales. La garantía no es válida si se ha hecho un uso inadecuado del producto, si no se ha usado siguiendo el manual de instrucciones o si se ha conectado incorrectamente. Esta garantía no se aplica a:
 - cualquier daño del producto derivado de un mantenimiento inadecuado
 - cualquier producto que haya sido alterado o modificado
 - cualquier producto en el que las marcas de identificación originales (marca comercial, número de serie) hayan sido borradas, modificadas o eliminadas
 - cualquier daño causado por el incumplimiento del manual de instrucciones
 - cualquier producto que no sea CE
 - cualquier producto que haya intentado reparar un profesional no cualificado o sin una autorización previa de Techtronic Industries
 - cualquier producto conectado a un suministro eléctrico inadecuado (amperios, tensión, frecuencia)
 - cualquier producto utilizado con una mezcla de combustible inadecuada (combustible, aceite, porcentaje de aceite)
 - cualquier daño causado por influencias externas (de productos químicos, daños físicos, descarga eléctrica) o sustancias extrañas
 - desgaste o rotura normal de las piezas de repuesto
 - uso inadecuado, sobrecarga de la herramienta
 - uso de accesorios o piezas no homologados
 - carburador después de 6 meses, ajustes del carburador después de 6 meses
 - componentes (piezas y accesorios) sujetos a un desgaste o rotura natural, incluyendo, aunque sin limitarse a ello, las perillas de las bombas, correas de transmisión, embrague, cuchillas de cortasetos o cortacésped, arnés, acelerador, escobillas de carbón, cable de alimentación, horquillas, arandelas de fieltro, pasadores de enganche, ventiladores, tubos de ventilador y de vacío, correas y bolsas de vacío, barras de guía, sierras de cadena, mangueras, accesorios de conexión, boquillas pulverizadoras, ruedas, varas rociadoras, carretes interiores y exteriores, hilos de corte, bujías, filtros de aire, filtros de gas, cuchillas de trituración, etc.
- Para el servicio, el producto debe enviarse o entregarse en un punto de servicio técnico autorizado RYOBI enumerado para cada país en la siguiente lista de direcciones de servicio técnico. En algunos países su distribuidor local RYOBI se encarga de enviar el producto a la organización del servicio de RYOBI. Al enviar un producto a un punto de servicio técnico RYOBI, el producto debe embalsarse de forma segura sin que contenga ninguna sustancia peligrosa como petróleo, debe llevar la dirección del remitente e ir acompañado de una breve descripción del fallo.
- Una reparación/sustitución dentro de esta garantía se realiza de forma gratuita. No constituye una ampliación ni un reinicio del período de garantía. Las piezas o herramientas que se cambian pasan a ser de nuestra propiedad. En algunos países los gastos de envío o del franqueo deberá pagarlos el remitente.
- Esta garantía es válida en la Comunidad Europea, Suiza, Islandia, Noruega, Lichtenstein, Turquía y Rusia. Fuera de estas zonas, póngase en contacto con su distribuidor autorizado RYOBI para determinar si se aplica otra garantía.

SERVICIO TÉCNICO AUTORIZADO

Para encontrar el servicio técnico autorizado más cercano, visite <http://uk.ryobitools.eu/header/service-and-support/service-agents>.



IT GARANZIA

Oltre ai legittimi diritti derivanti dall'acquisto del prodotto, quest'ultimo è coperto da garanzia come indicato nei seguenti punti.

- Il periodo di garanzia per il consumatore è di 24 mesi ed ha inizio dalla data in cui il prodotto è stato acquistato. Questa data deve essere documentata da una ricevuta o da altra prova d'acquisto. Il prodotto è stato designato e progettato solo per l'utilizzo privato del consumatore. La garanzia viene invalidata in caso di utilizzo professionale o commerciale.
- In alcuni casi (per esempio promozioni e gamme di prodotti) esiste la possibilità di estendere il periodo di garanzia oltre il periodo indicato sopra registrandosi sul sito web www.ryobitools.eu. L'idoneità del prodotto a rievolvere tale estensione viene indicata chiaramente nei punti vendita e/o sull'imballo. L'utente finale deve registrare il suo prodotto appena acquistato online entro 8 giorni dalla data d'acquisto. L'utente finale può accedere all'offerta nel suo paese quando la stessa è valida e qualora si sia registrato online. Inoltre, gli utenti finali devono dare il proprio consenso all'archiviazione dei dati che si inseriscono online indicando che i termini e le condizioni sono stati accettati. La ricezione della conferma della registrazione verrà inviata via email e la fattura originale indicante la data d'acquisto verrà utilizzata come prova della garanzia estesa. I diritti legittimi dell'utente rimarranno invariati.
- La garanzia copre tutti i difetti di fabbricazione del prodotto durante il periodo di garanzia a causa di guasti di fabbricazione o di materiale alla data di acquisto. La garanzia è limitata alla riparazione e/o alla sostituzione e non include altri obblighi compreso ma non limitato a danni incidentali o consequenziali. La garanzia non è valida se il prodotto non è stato utilizzato come indicato nel manuale di istruzioni o se è stato collegato in maniera non corretta. La garanzia non si applica a:
 - qualsiasi danno al prodotto che sia il risultato di una scorretta manutenzione
 - qualsiasi prodotto che sia stato alterato o modificato
 - qualsiasi prodotto sul quale l'identificazione originale (marchio registrato, numero di serie) sia stata resa illeggibile, sia stata danneggiata o alterata
 - qualsiasi danno causato dalla non osservanza del manuale d'istruzioni
 - qualsiasi prodotto non contrassegnato con il marchio CE
 - qualsiasi prodotto che una persona non qualificata abbia tentato di riparare o che si è tentato di riparare senza l'autorizzazione delle Techntronisnoc Industries
 - qualsiasi prodotto collegato a un'alimentazione non corretta (per amp, voltaggio, frequenza)
 - qualsiasi prodotto utilizzato con la miscela scorretta di carburante (carburante, olio, percentuale d'olio)
 - qualsiasi danno causato da agenti esterni (chimici, fisici o shock) o da sostanze estranee
 - normale usura di parti di ricambio
 - utilizzo non appropriato, sovraccaricamento di utensili
 - utilizzo non approvato di accessori o parti
 - carburatore dopo 6 mesi, regolazioni al carburatore dopo 6 mesi
 - componenti (parti e accessori) soggetti alla normale usura, compreso ma non limitato a manopole di avviamento a spinta, cinghie di trasmissione, frizione, lame di sfondatori o tagliaerba, cablaggio, cavo dell'acceleratore, spazzole al carbonio, cavi dell'alimentazione, lancette, rondelle in feltro, perni di aggancio, ventole del soffiatore, tubi del soffiatore e dell'aspirapolvere, sacchetti e cinghie dell'aspirapolvere, barre di guida, catene della motosega, tubi, raccordi del connettore, ugelli a spruzzo, ruote, bacchette a spruzzo, bobine interne, bobine esterne, fili di taglio, candele, filtri dell'aria, filtri del gas, lame di triturazione, ecc.
- Per servizi di manutenzione, il prodotto dovrà essere mandato o presentato presso un punto di servizio clienti autorizzato RYOBI indicato nella seguente lista. In alcune nazioni il rivenditore RYOBI si occuperà di inviare il prodotto al più vicino servizio clienti Ryobi. Quando si invia un prodotto a un servizio clienti RYOBI, il prodotto dovrà essere correttamente imballato senza eventuali contenuti pericolosi quali carburanti, e contrassegnato con l'indirizzo della persona che lo ha inviato e accompagnato da una breve descrizione del problema riscontrato.
- Si garantisce una riparazione/sostituzione gratuita quando il prodotto è coperto da garanzia. Questa sostituzione o riparazione non costituisce una estensione o un nuovo inizio di un periodo di garanzia. Le parti o utensili cambiati sono di proprietà della ditta. In alcune nazioni i costi di consegna o invio dovranno essere pagati dalla persona che spedisce.
- Questa garanzia è valida all'interno della Comunità Europea, in Svizzera, Islanda, Norvegia, Liechtenstein, Turchia e Russia. Al di fuori di queste aree, si prega di contattare il proprio gestore autorizzato RYOBI per determinare se si applica un'altra garanzia.

CENTRO SERVIZI AUTORIZZATO

Per individuare il più vicino centro servizi autorizzato, visitare il sito <http://uk.ryobitools.eu/header/service-and-support/service-agents>.

NL GARANTIE

Bovenop de statutaire rechten als gevolg van de aankoop, wordt dit product gedekt door een garantie, zoals deze hieronder wordt beschreven.

- De garantieperiode bedraagt 24 maanden voor consumenten en begint vanaf de datum waarop het product werd aangekocht. Deze datum moet worden gedocumenteerd door een factuur of ander aankoopbewijs. Het product is uitsluitend ontworpen en bedoeld voor particuliere gebruikers. De garantie vervalt bij professioneel of commercieel gebruik.
- In enkele gevallen (vb. promotie, gereedschapsaanbod) bestaat er een mogelijkheid om de garantieperiode te verlengen met dezelfde periode als deze hierboven beschreven met behulp van de registratie op de website www.ryobitools.eu. Of het product al of niet in aanmerking komt, is duidelijk aangegeven in winkels en/of de verpakking. De eindgebruiker dient zijn/haar nieuw werktuig binnen de 8 dagen na de aankoopdatum online registreren. De eindgebruiker kan zich aanmelden voor de uitgebreide garantie in zijn verblijfsland als dit op het online registratieformulier is opgenomen wanneer deze optie geldig is. Bovendien moet de eindgebruiker zijn toestemming geven om informatie te gebruiken die nodig is om toegang te krijgen tot de website en dient de algemene voorwaarden te accepteren. Het ontvangstbewijs van dit registratieformulier, dat via e-mail wordt verzonden, en de originele factuur die de aankoopdatum vermeldt dienen als bewijs van de uitgebreide garantie. Uw statutaire rechten blijven onveranderd.
- De garantie dekt alle defecten van het product gedurende de garantieperiode als gevolg van fouten in het werk of materiaal op de aankoopdatum. De garantie is beperkt tot de reparatie en/of vervanging en omvat geen andere verplichtingen waaronder, maar niet beperkt tot, incidentele of gevolgschade. De garantie is niet geldig als het product werd misbruikt, in tegenspraak met de gebruiksaanwijzing werd gebruikt of foutief werd verbonden. Deze garantie geldt niet voor:
 - schade aan het product als gevolg van foutief onderhoud
 - als het product op enigerlei wijze werd gewijzigd
 - als originele markeringen ter identificatie (handelsmerk, serienummer) van het product werden verwijderd of gewijzigd
 - voor schade als gevolg van het niet in acht nemen van deze gebruiksaanwijzing
 - een niet EC-product
 - een product, waaraan een niet-gekwalificeerde vakman reparaties uitvoerde of waaraan reparaties werden uitgevoerd zonder voorafgaande toestemming van Techntron Industries
 - een product dat werd aangesloten aan een foutieve krachtbron (amps, spanning, frequentie)
 - een product dat met een ongeschikt brandstofmengsel (brandstof, olie, oliepercentage) werd gebruikt
 - schade veroorzaakt door externe invloeden (chemische, fysieke schokken) of vreemde stoffen
 - normale slijtage van reserve-onderdelen
 - foutief gebruik, overbelasting van het werktuig
 - gebruik van niet-goedgekeurde accessoires of onderdelen
 - de carburator na 6 maanden, carburatorinstellingen na 6 maanden
 - componenten (onderdelen en accessoires) die onderworpen zijn aan slijtage, met inbegrip van, maar niet beperkt tot stookknoppen, aandrijfriemen, koppeling, snijbladen van heggentrimmers of grasmaaimachines, harnassen, versnellingskabels, koolborstels, stroom snoeren, tanden, vilttringen, trekpenen, ventilatoren, blazer- en vacuümbuizen, stofzuigzakken en -riemen, geleiders, zaagkettingen, slangen, connectoren, sproeimonden, wielen, sproeiërs, inwendige spoelen, uitwendige spoelen, maaijlijnen, boogjes, luchtfilters, gasfilters, struikruimbladen, etc.
- Voor onderhoud moet het product naar een geautoriseerd RYOBI-onderhoudsstation worden gestuurd of gebracht. Een lijst met de adressen van deze stations per land is hier opgenomen. In bepaalde landen verzendt uw plaatselijke RYOBI-verdeler het product naar de RYOBI-onderhoudsorganisatie. Als een product naar een RYOBI-onderhoudsstation wordt gezonden, moet het product veilig zijn verpakt zonder gevaarlijke inhoud, zoals benzine, met aanduiding van het adres van de verzender en met inbegrip van een korte beschrijving van de fout.
- Een reparatie/vervangend onder deze garantie is gratis. Dit heeft geen gevolgen voor de duur van deze garantie of betekent niet dat de garantie wordt verlengd of opnieuw begint. Vervangen onderdelen of werktuigen worden onze eigendom. In bepaalde landen moeten verzendings- of leveringskosten door de verzender worden betaald.
- Deze garantie is geldig in de Europese Unie, Zwitserland, IJsland, Noorwegen, Liechtenstein, Turkije en Rusland. Buiten deze landen neemt u contact op met uw geautoriseerde RYOBI-verdeler om te bepalen of er een andere garantie geldig is.

GEAUTORISEERD ONDERHOUDSCENTRUM

Om een geautoriseerd onderhoudscentrum in uw buurt te vinden, surf u naar <http://uk.ryobitools.eu/header/service-and-support/service-agents>.

PT GARANTIA

Além de qualquer direito estatutário derivado da compra, este produto está coberto com a seguinte garantia.

- O período de garantia é de 24 meses para os consumidores e começa a partir da data de compra do produto. Esta data deve ser comprovada com uma factura ou outra prova de compra. O produto foi desenhado e destinado ao consumidor e apenas para uso privado. Portanto, não se oferece qualquer garantia em caso de uso profissional ou comercial.
- Em alguns casos (como promoções ou um conjunto de ferramentas) existe a possibilidade de ampliar o período de garantia até ao período descrito anteriormente através do registo no website www.ryobitools.eu. A elegibilidade da ferramenta mostra-se claramente nas lojas ou na embalagem. O utilizador final deve registar as suas ferramentas recém-adquiridas on-line nos 8 dias seguintes à data de compra. O utilizador final poderá registar-se para ampliar a garantia no seu país de residência se este aparecer no formulário de registo on-line em que esta opção é válida. Além disso, os utilizadores finais devem dar o seu consentimento para se guardarem os dados que se solicitam para entrar on-line e aceitar os termos e condições. A confirmação de registo, que será enviada por correio electrónico, e a factura original que mostre a data de compra servirão como prova da ampliação da garantia. Os seus direitos estatutários permanecerão intactos.
- A garantia cobre, durante o período de garantia, todos os defeitos do produto que se devam a falhas da mão-de-obra ou a falhas do material na data de compra. A garantia tem um limite de reparação ou substituição e não inclui qualquer outra obrigação que se deva a, embora sem se limitar a tal, danos acidentais ou incidentais. A garantia não é válida se se fez um uso inadequado do produto, se não se usou seguindo o manual de instruções ou se foi ligado incorrectamente. Esta garantia não se aplica a:
 - qualquer dado do produto derivado de uma manutenção inadequada
 - qualquer produto que tenha sido alterado ou modificado
 - qualquer produto em que as marcas de identificação originais (marca comercial, número de série) tenham sido apagadas, modificadas ou eliminadas
 - qualquer dano causado por incumprimento do manual de instruções
 - qualquer produto que não seja CE
 - qualquer produto que um profissional não qualificado tenha tentado reparar ou sem uma autorização prévia de Techtronic Industries
 - qualquer produto ligado a um fornecimento eléctrico inadequado (ampérios, tensão, frequência)
 - qualquer produto utilizado com uma mistura de combustível inadequada (combustível, óleo, percentagem de óleo)
 - qualquer dano causado por influências externas (de produtos químicos, danos físicos, descarga eléctrica) ou substâncias estranhas
 - desgaste ou ruptura normal das peças de substituição
 - uso inadequado, sobrecarga da ferramenta
 - uso de acessórios ou peças não homologadas
 - carburador após 6 meses, ajustes do carburador após 6 meses
 - componentes (peças e acessórios) sujeitos a um desgaste ou ruptura natural, incluindo, embora sem se limitar a tal, os botões de embate, correias de transmissão, embraiagem, lâminas de corta-arbustos ou corta-relvas, arneses, acelerador, escovas de carvão, cabo de alimentação, forquilhas, anilhas de feltro, passadores de gancho, ventiladores, tubos de ventilador e de vácuo, correias e bolsas de vácuo, barras de guia, serras de cadeia, mangueiras, acessórios de ligação, boquilhas pulverizadoras, rodas, varas bormifadoras, carretes interiores e exteriores, fios de corte, velas, filtros de ar, filtros de gás, lâminas de trituração, etc.
- Para o serviço, o produto deve ser enviado ou entregue num ponto de serviço técnico autorizado RYOBI enumerado para cada país na seguinte lista de moradas de serviço técnico. Em alguns países o seu distribuidor local RYOBI encarrega-se de enviar o produto para a organização do serviço de RYOBI. Ao enviar um produto a um ponto de serviço técnico RYOBI, o produto deve ser embalado de forma segura sem que contenha qualquer substância perigosa como petróleo, deve levar a morada do remetente e ir acompanhado de uma breve descrição da falha.
- Uma reparação/substituição dentro desta garantia realiza-se de forma gratuita. Não constitui uma ampliação nem um reinício do período de garantia. As peças ou ferramentas que se alterem passam a ser da nossa propriedade. Em alguns países os gastos de envio ou da franquia deverá pagá-los o remetente.
- Esta garantia é válida na Comunidade Europeia, Suíça, Islândia, Noruega, Liechtenstein, Turquia e Rússia. Fora destas zonas, entre em contacto com o seu distribuidor autorizado RYOBI para determinar se se aplica outra garantia.

CENTRO DE ASSISTÊNCIA AUTORIZADO

Para encontrar um centro de assistência autorizado próximo de si, visite <http://uk.ryobitools.eu/header/service-and-support/service-agents>.

DA GARANTI

Ud over de lovbestemte rettigheder ved køb, er dette produkt dækket af en garanti som angivet nedenfor.

- Garantien er 24 måneder for forbrugerne og træder i kraft den dato, hvor produktet bliver købt. Denne dato skal dokumenteres af en faktura eller andet købsbevis. Produktet er designet og beregnet til privat brug. Så der er ingen garanti i tilfælde af erhvervs-mæssig brug.
- Der er i visse tilfælde (f.eks. kampagner eller udvalgt produkter) mulighed for at forlænge garantien i perioden beskrevet ovenfor ved at registrere produktet på www.ryobitools.dk. Betingelserne af produktet vises tydeligt i butikker og / eller på emballagen. Slutbruger kan registrere hans/hendes nyhvervede produkter online indenfor 8 dage fra købsdatoen. Slutbruger kan tilmelde sig den udvidede garanti i sit bopælsland, hvis det er opført på den online tilmeldingsformular. Desuden skal slutbrugere give deres samtykke til lagring af de data, der er nødvendige for at komme ind på nettet, og de er nødt til at acceptere vilkår og betingelser. Kitteringen på modtagelsen af registreringerne, som udsendes via e-mail, og den originale faktura, der angiver købsdatoen, fungerer som bevis på den udvidede garanti. Dine lovbestemte rettigheder forbliver uændret.
- Garantien dækker alle fejl ved produktet i løbet af garantiperioden, som kan føres tilbage til fabrikkens- eller materialefejl på købsdatoen. Garantien begrænser sig til reparation og/eller udførelse af omfatter ikke andre forpligtelser inklusiv, men ikke begrænset til, skader eller følgeskader. Garantien er ikke gyldig, hvis produktet har været udsat for misbrug, anvendelse i strid med brugsanvisningen eller har været tilsuttet forkeret. Denne garanti dækker ikke:
 - Enhver skade på produktet som følge af ukorrekt vedligeholdelse
 - Ethvert produkt, som er blevet ændret eller modificeret
 - Ethvert produkt, hvor de originale identifikationsmærker (varemærke, serienummer) er blevet ødelagt, ændret eller fjernet
 - Enhver skade, der skyldes manglende overholdelse af brugsanvisningen
 - Ethvert produkt uden CE-mærkning
 - Ethvert produkt, som har været udsat for forsøg på reparation af en uautoriseret fagmand eller uden accept fra Techtronic Industries
 - Ethvert produkt, der har været sluttet til forkert strømforsyning (ampere, spænding, frekvens)
 - Ethvert produkt, der har været anvendt med forkert brændstofblandning (brændstof, olie, olieforhold)
 - Enhver skade, der skyldes udefra kommende påvirkninger (kemisk, fysisk, stød) eller fremmedlegemer
 - Normal slitage på reservedele
 - Forkert anvendelse, overbelastning af produktet
 - Brug af ikke-godkendt tilbehør eller (reserve)dele
 - Karburator efter 6 måneder, karburatorjusteringer efter 6 måneder
 - komponenter (dele og tilbehør), der har været udsat for naturlig slitage, inklusive, men ikke begrænset til, afstandsknopper, drivremme, kobling, klinger på hækklippere eller plæneklippere, seler, gaskabel, kulbrøster, strømforsyningskabel, knive, filtknive, låsestifte, blæseventilatorer, blæse- og indsugningsrør, sugesege og stropper, styresværd, savkæder, slanger, tilslutningsfittings, sprøjtedyser, hjul, sprøjtetave, indvendige hjul, udvendige spoler, skæretråd, tændrør, luftfilter, gasfilter, bioklip-klinger, mv.
- Til servicering skal produktet indleveres til eller forevies og autoriseret RYOBI serviceværksted for det pågældende land. I nogle lande vil din lokale RYOBI-forhandler sende produktet til RYOBI's serviceorganisation. Når et produkt indleveres til et RYOBI serviceværksted, skal det emballeres forsvarligt uden farligt indhold (som f.eks. benzin), være forsynet med afsenderadresse og ledsaget af en kort beskrivelse af fejlen.
- Reparation/udskiftning i henhold til denne garanti er gratis. Den medfører ikke forlængelse eller ny start af garantiperioden. Udskiftede dele eller værktøjer overgår til vores ejendom. I nogle lande skal leveringsomkostninger eller porto betales af afsenderen.
- Denne garanti er gyldig i EU, Schweiz, Island, Norge, Liechtenstein, Tyrkiet og Rusland. Uden for disse områder bedes man venligst kontakte sin autoriserede RYOBI-forhandler for at få opklaret, om evt. andre garantier er gældende.

AUTORISEREDE SERVICEVÆRKSTEDER

Find nærmeste autoriserede serviceværksted på <http://dk.ryobitools.eu/header/service-and-support/service-agents>.

SV GARANTI

Förutom de lagstadgade rättigheter som följer köpet omfattas denna produkt av en garanti som anges nedan.

- Garantitiden är 24 månader för konsumenter och börjar den dag då produkten köptes. Detta datum måste kunna dokumenteras av en faktura eller annat inköpsbevis. Produkten är utformad och avsedd för konsumenter och ska endast användas för privat bruk. Det innebär att ingen garanti lämnas vid yrkesmässigt eller kommersiell användning.
- I vissa fall (t.ex. marknadsföring, sortiment av verktyg), finns det en möjlighet att förlänga garantitiden under den period som beskrivs ovan genom registrering på hemsidan www.ryobitools.eu. De verktyg det gäller för framgår tydligt i butiker och/eller på förpackningen. Slut användaren måste registrera sitt nyinköpta verktyg på nätet inom 8 dagar från inköpsdatum. Slut användaren kan registrera sig för den utökade garantitiden i sitt hemland om det framgår på registreringsformuläret online där detta alternativ är giltigt. Dessutom måste slut användarna ge sitt samtycke till lagring av de uppgifter som krävs för att komma in på nätet och de måste godkänna villkoren. Registreringens mottagningsbevis som skickas ut via e-post och den ursprungliga fakturan som visar inköpsdatum fungerar som bevis på förlängd garanti. Dina lagstadgade rättigheter påverkas inte.
- Garantin täcker alla fel på produkten under garantitiden som beror på fel i utförande eller material vid inköpsdatumet. Garantin är begränsad till reparation och/eller utbyte och inkluderar inte några andra åtgärder, inklusive men inte begränsat till oförutsedda skador eller följdskador. Garantin gäller inte om produkten har använts på fel sätt, använts på ett sätt som inte följer användarhandboken eller som har anslutits på ett felaktigt sätt. Denna garanti gäller inte för:
 - skador på produkten som beror på felaktigt underhåll
 - om produkten har ändrats eller modifierats
 - en produkt där den ursprungliga identifieringen (varumärke, serienummer) har förstörts, ändrats eller tagits bort
 - skador som orsakas av att användarhandboken inte har följts
 - alla produkter som inte följer CE-bestämmelser
 - en produkt som är icke-kvalificerad yrkesperson eller en person som inte har behörighet från Technronic Industries har försökt att reparera
 - en produkt som ansluts till eluttaget (ampere, spänning, frekvens) på fel sätt
 - en produkt som används med olämplig bränsleblandning (bränsle, olja, procent av olja)
 - skador som orsakas av yttre påverkan (kemiska, fysikaliska, stötar) eller främmande ämnen
 - normalt slitage av reservdelar
 - felaktig användning, överbelastning av verktyget
 - användning av icke-godkända tillbehör eller delar
 - förgasare efter 6 månader, justering av förgasare efter 6 månader
 - komponenter (delar och tillbehör) med förbehåll för normalt slitage, inklusive men inte begränsat till stötknappar, drivremmar, koppling, blad av häcksaxar eller gräsklippare, sele, kabelhållare, kolborstar, nätkabel, pinnar, filbrickor, hitchkopplingar, blåsfäktar, fläkt- och vakuumsör, vakuumsvaska och remmar, ledskenor, sägkedjor, slangar, anslutningar, sprutmunstycken, hjul, sprayanordningar, inre spolar, yttre spolar, skärande linjer, tändstift, luftfilter, gasfilter, märktäckningsblad, osv.
- För service, måste produkten skickas eller presenteras till en RYOBI-godkänd servicestation som anges för varje land i följande lista med adresser. I vissa länder ombesörjer den lokala RYOBI-återförsäljaren att skicka produkten till RYOBI-serviceorganisationen. När en produkt skickas till en RYOBI-servicestation, ska produkten förpackas på ett säkert sätt utan farligt innehåll som bensin, märkt med avsändarens adress tillsammans med en kort som beskriver felet.
- En reparation/utbyte som sker under denna garanti är gratis. Den utgör inte en förlängning eller en ny start på garantitiden. Utbyts delar eller verktyg blir vår egendom. I vissa länder måste leveranskostnader eller porto betalas av avsändaren.
- Denna garanti gäller i EU, Schweiz, Island, Norge, Liechtenstein, Turkiet och Ryssland. Utanför dessa områden ska du kontakta din auktoriserade RYOBI-återförsäljare för att avgöra om en annan garanti gäller.

AUKTORISERAT SERVICECENTER

Du hittar närmaste auktoriserade servicecenter genom att gå till <http://uk.ryobitools.eu/header/service-and-support/service-agents>.

FI TAKUU

Hankinnasta kotivien laillisten oikeuksien lisäksi tätä tuotetta hallitsee alla kuvattu takuu.

- Takuukausi on 24 kuukautta kuluttajille ja alkaa tuotteen ostopäivästä. Tämän päivän on oltava merkitty kuittiin tai muuhun todisteeseen hankinnasta. Tämä tuote on suunniteltu ja tarkoitettu ainoastaan kuluttajien yksityiskäyttöön. Ammatti- ja kaupalliseen käyttöön ei näin ollen ole takuuta.
- Joissain tapauksissa (kuten tarjoukset, laitesarjat) takuukaudesta voidaan pidentää kuvattua kautta pidemmäksi rekisteröimällä tuote osoitteessa www.ryobitools.eu. Takuun pidentämishoidollisuus ilmoitetaan selkeästi kaupassa ja/tai pakkauksessa. Loppukäyttäjän on rekisteröitävä uusi laitteensa online 8 päivän sisällä sen hankkimisesta. Loppukäyttäjää voi rekisteröityä saadakseen jatkettua takuun asuinmaassaan, jos se mainitaan online-rekisteröintilomakkeessa. Lisäksi, loppukäyttäjän on annettava suostumuksensa tallentaa syötetyt tiedot online, ja hänen on hyväksyttävä ehdot. Sähköpostitse lähetettävä rekisteröintivahvistus ja alkuperäinen kuitti, josta ilmenee hankintapäivä, toimivat todisteena takuun jatkamisesta. Lailliset oikeutesi eivät muutu.
- Takuu kattaa takuuaikana kaikki tuotteen viat, jotka johtuvat valmistus- tai materiaaliavista hankintapäivänä. Takuu rajoittuu korjaukseen ja/ tai vaihtoon eikä sisällä mitään muita velvoitteita, mukaan lukien mm. suunnaistai ja seuraamukselliset vauriot. Takuu ei ole voimassa, jos tuotteen on väärinkäytetty tai käytetty käyttöoppaan vastaisesti tai se on kytketty virheellisesti. Takuu ei kata seuraavia:
 - tuotteelle koituneet vahingot, jotka johtuvat virheellisestä ylläpidosta
 - tuote, jota on muunneltu
 - tuote, jossa alkuperäiset tunnisteet (tavaramerkki, sarjanumero) ovat turmeltuneet tai niitä on muutettu tai ne on poistettu
 - käyttöoppaan laiminlyönnistä johtuvat vauriot
 - ei-CE-tuotteet
 - tuotteet, jotka on yritetty korjata ei-pätevä asentaja tai jonka korjaukselle ei ole saatu Technronic Industriesiltä hyväksyntää etukäteen
 - tuotteet, jotka on kytketty vääranlaiseen virtalähteeseen (virta, jännite, taajuus)
 - tuote, jossa on käytetty virheellistä polttoaineseosta (polttoaine, öljy, öljyn osuus)
 - vauriot, jotka johtuvat ulkoisista syistä (kemikaalit, fyysiset tekijät, iskut) tai vieraista aineista
 - normaali varaosien kuluminen
 - virheellinen käyttö, laitteen ylikuormitus
 - muiden kuin hyväksytyjen lisävarusteiden ja osien käyttö
 - kaasutin 6 kuukauden jälkeen, kaasuttimen säätö 6 kuukauden jälkeen
 - komponentit (osat ja lisävarusteet), joihin kohdistuu luonnollista kulumista, mukaan lukien mm. napautusnupit, vetohihnat, kytin, pensastrimmereiden ja ruohonleikkurien terät, valjaat, kaapelikaasutin, hiilijarhat, virtajohto, piikit, huopavälilevyt, sokat, puhaltimet, puhallin- ja imuputket, pölynimurin pussit ja hihnat, terälevyt, teräketjut, leikut, liittimet, suuttimet, pyörät, suihkuputket, sisäkelat, ulkoiset kelat, leikkuusimat, sytytystulpat, ilmansuodattimet, polttoainesuodattimet, silppuriterät jne.
- Huollon saaminen edellyttää, että tämä tuote lähetetään tai vietään RYOBI:n valtuuttamaan huoltoon, jotka luettelaa maittain seuraavassa huoltojen osoiteluettelossa. Joissain maissa paikallinen RYOBI-jälleenmyyjä hoitaa tuotteen lähettämisen RYOBI-huoltoon. Kun tuote lähetetään RYOBI-huoltoon, se on pakattava turvallisesti ilman mitään vaarallista sisältöä, kuten bensiniä, siihen on merkittävä lähettäjän osoite ja sen mukana on lähetettävä vian kuvaus.
- Tämän takuun puitteissa tapahtuva korjaaminen/vaihto on ilmaista. Se ei merkitse takuujakson jatkamista tai uuden kauden alkua. Vaihdetuista osista ja laitteista tulee meidän omaisuuttamme. Joissain maissa lähettäjän on maksettava toimituskulut tai postimaksu.
- Tämä takuu on voimassa Euroopan Yhteisössä, Sveitsissä, Islannissa, Norjassa, Liechtensteinissa, Turkissa ja Venäjällä. Jos olet näiden alueiden ulkopuolella, ota yhteys valtuutettuun RYOBI-jälleenmyyjään, joka voi kertoa, onko joku muu takuu voimassa.

VALTUUTETTU HUOLTO

Voit etsiä lähimmän valtuutetun huollon sivulta <http://fi.ryobitools.eu/header/service-and-support/service-agents>.

NO GARANTI

I tillegg til enhver lovbestemt rettighet som følge av dette kjøpet er dette produktet dekket av en garanti som beskrevet nedenfor.

- Garantitiden er 24 måneder for forbrukere, og starter på produktets kjøpsdato. Denne datoen må dokumenteres av faktura eller annet kjøpsbevis. Produktet er konstruert og beregnet på forbrukere og kun privat bruk. Det gis ingen garanti ved profesjonell eller kommersiell bruk.
- Det er, i noen tilfeller, (dvs. markedsføring, serie av verktoy), mulig å utvide garantitiden ut over den perioden som er nevnt ovenfor ved bruk av registrering på nettstedet www.ryobitools.eu. Verktoyets garantiberettigelse vises klart i butikkene og/eller på emballasjen. Sluttbruker må registrere sitt nylig innkjøpte verktoy på nettet innen 8 dager etter kjøpsdatoen. Sluttbruker kan registrere seg for utvidet garanti i det landet hvor vedkommende bor hvis dette landet er ført opp på nettregistreringsskjemaet hvor dette alternativet er gyldig. Sluttbruker må også gi sin tillatelse til lagring av de data som er påkrevet å registrere på nettet, og må akseptere vilkår og betingelser. Registreringsbekreftelsen, som sendes som epost, og den originale kvitteringen som viser kjøpsdatoen, vil gjelde som bevis på den utvidede garantien. Dine lovbestemte rettigheter vil fortsatt gjelde.
- Garantien gjelder alle defekter på produktet i garantitiden som følge av feil på arbeid eller materialer på kjøpsdatoen. Garantien er begrenset til reparasjon og/eller utskifting av produktet, og inkluderer ingen annen forpliktelser, inklusive men ikke begrenset til tilfeldige eller direkte eller indirekte følgeskader. Garantien gjelder ikke dersom produktet er misbrukt, brukt i strid med brukermanualens instruksjoner eller vært feilaktig tilkoblet. Denne garantien gjelder ikke:
 - enhver skade på produktet som følge av utilstrekkelig vedlikehold
 - et produkt som er endret eller modifisert
 - ethvert produkt hvor original identifikasjonsmerker (varemerke, serienummer) er tildekket, endret eller fjernet
 - enhver skade som følge av at instruksjoner i brukermanualen ikke er fulgt
 - ethvert ikke-CE-produkt
 - ethvert produkt som er forsøkt reparert av en ukvalifisert person, eller uten forutgående tillatelse av Techtronic Industries
 - ethvert produkt som er tilkoblet uriktig strømkilde (ampere, spenning, frekvens)
 - ethvert produkt som er brukt med feil drivstoffblandning (drivstoff, olje, prosentvis andel olje)
 - enhver skade forårsaket av eksterne påvirkninger (kjemiske, fysiske eller slag) eller fremmede substanser
 - normal slitasje på reservedeler
 - feilaktig bruk, overbelastning av verktøyet
 - bruk av ikke godkjent tilbehør eller reservedeler
 - forgasser etter 6 måneder, forgasserjusteringer etter 6 måneder
 - komponenter (deler og tilbehør) gjenstand for naturlig slitasje, inklusive men ikke begrenset til dunkeknotter, drivreimer, clutch, kniver på hekklippere eller gressklippere, seler, gasswire, karbonbørster, elektriske ledninger, tenner, filt-pakninger, skalfinner, blåsevifter, blåse- og sugeslang, oppsamlingsposer, motorsagsverd, sagkjeder, slanger, tilkoblingsdeler, sprøytedyser, hjul, sprøytetaster, innvendige ruller, utvendige spoler, klippesnorer, tennplugg, luftfiltere, gassfiltere, opppakkingsblader, etc.
- For ettersyn og reparasjoner må produktet leveres til et RYOBI- autorisert servicecenter ført opp for det enkelte land i følgende liste av servicestasjonsadresser. I noen land vil din lokale RYOBI-forhandler sørge for å sende produktet til RYOBI's serviceorganisasjon. Når et produkt sendes til en RYOBI servicestasjon må produktet være forsvarlig emballert uten farlig innhold som bensin, merket med senders navn og adresse og medsendt en kort beskrivelse av feilen.
- En reparasjon/utskifting i henhold til denne garantien er gratis. Den representerer ikke en forlengelse av garantiperioden eller en ny start på garantiperioden. Utskiftede deler eller verktøy blir vår eiendom. I noen land vil leveringskostnader eller porto måtte betales av sender.
- Denne garantien er gyldig i EU, Sveits, Island, Norge, Liechtenstein, Tyrkia og Russland. Utenfor disse områdene ber vi om at du kontakter en autorisert Ryobi-forhandler for å finne ut om en annen garanti gjelder.

AUTORISERT SERVICECENTER

For å finne et autorisert servicecenter i nærheten, gå til <http://no.ryobitools.eu/header/service-and-support/service-agents>.

RU ГАРАНТИЯ

В дополнение к законным правам, вытекающим из факта покупки, на данный продукт распространяются следующие гарантийные обязательства.

- Гарантийный период составляет 24 месяца для покупателей и начинается с даты приобретения продукта. Дата приобретения подтверждается документально товарным чеком или другим доказательством покупки. Данный продукт предназначен для использования только в личных целях. Гарантия не предоставляется в случае профессионального или коммерческого использования данного продукта.
- В некоторых случаях (например, при продвижении продукта, приобретении некоторых видов инструментов) возможно продление гарантийного срока при регистрации продукта на веб-сайте www.ryobitools.eu. Применимость продукта разъясняется в магазинах при продаже и/или на упаковке продукта. Конечному пользователю следует зарегистрировать вновь приобретенный инструмент через Интернет в течение 8 дней с даты покупки. Конечный пользователь может зарегистрировать продукт для получения расширенной гарантии в стране проживания, если данная возможность предоставляется интернет-формой регистрации. Также, конечный пользователь должен дать свое согласие на хранение данных, требуемых при заполнении формы через Интернет, и принять условия соглашения. Уведомление о продлении регистрации, отправляемое по электронной почте, и оригинальный товарный чек с датой покупки служат доказательством расширенной гарантии. Законные права потребителя при этом остаются в силе.
- Данная гарантия распространяется на все дефекты продукта, связанные с производственным браком или браком материалов в момент приобретения, в течение гарантийного периода. Данная гарантия ограничивается ремонтом и/или заменой и не включает другие обязательства, в том числе, связанные с побочным или косвенным ущербом. Гарантия недействительна в случае ненадлежащего использования, использования с нарушением инструкций руководства по эксплуатации или неправильного подключения продукта. Гарантия недействительна, если:
 - повреждение продукта вызвано ненадлежащим техническим обслуживанием
 - продукт подвергся изменениям или был модифицирован
 - оригинальная маркировка (товарный знак, заводской номер) неудобочитаема, изменена или удалена
 - повреждение вызвано несоблюдением инструкций данного руководства
 - отсутствует маркировка CE
 - была попытка отремонтировать продукт неквалифицированным лицом или без предварительного согласования с компанией Techtronic Industries
 - продукт подключался к ненадлежащему источнику питания (ненадлежащая сила тока, напряжение, частота)
 - продукт использовался с неподходящей топливной смесью (топливо, масло, процент содержания масла)
 - повреждение вызвано внешним воздействием (химические, физические, удары) или посторонними веществами
 - это связано с нормальным износом заменяемых деталей
 - это связано с ненадлежащим использованием, перегрузкой инструмента
 - это связано с использованием нерекондованных принадлежностей или деталей
 - карбюратор использовался свыше 6 месяцев, регулировка карбюратора после 6 месяцев
 - компоненты (детали и принадлежности) подверженные естественному износу, в том числе, колпачки, приводные ремни, муфта, режущие полотна шпалерных ножей или газокосилок, крепежные ремни, тросик дроссельной заслонки, угольные щетки, кабель питания, фрезы, фетровые прокладки, шпильки, крыльчатки, выпускные и всасывающие трубы, мешок для мусора и ремешки, пыльные шины, пыльные щетки, шланги, соединительные фитинги, распылительные насадки, колеса, распылители, внутренние бобины, внешние бобины, режущие струны, свечи зажигания, воздушные фильтры, газовые фильтры, механизмы для мульчирования и т.п.
- Для проведения технического обслуживания продукт следует представить в официальный центр технического обслуживания компании RYOBI в соответствии со списком по каждой стране. В некоторых странах дилерам компании RYOBI требуется пересылка продукта в соответствующий сервисный центр компании RYOBI. При отправке продукта в центр технического обслуживания RYOBI, продукт следует упаковать надлежащим образом без содержания любых опасных веществ (таких как бензин) с указанием адреса отправителя и кратким описанием неисправности.
- Ремонт/замена продукта по условиям данной гарантии осуществляются бесплатно. В данном случае не предусмотрено продление срока гарантии или начало нового гарантийного периода. Заменяемые детали или инструмент становятся собственностью компании. В некоторых странах оплата доставки и почтовые расходы ложатся на отправителя.
- Данная гарантия действительна в странах ЕС, Швейцарии, Исландии, Норвегии, Лихтенштейне, Турции и России. Для получения информации о применении данной гарантии в других регионах обращайтесь с официальному дилеру компании RYOBI.

УПОЛНОМОЧЕННЫЙ СЕРВИСНЫЙ ЦЕНТР

Чтобы найти ближайший уполномоченный сервисный центр, обратитесь к веб-сайту <http://uk.ryobitools.eu/header/service-and-support/service-agents>.

PL GWARANCJA

Opócz wszelkich praw ustawowych wynikających z zakupu, ten produkt jest objęty gwarancją jak podano poniżej.

- Okres gwarancji wynosi 24 miesiące dla konsumentów i rozpoczyna się w dniu, w którym produkt został zakupiony. Ta data musi być udokumentowana przez fakturę lub inny dowód zakupu. Produkt został zaprojektowany i jest przeznaczony wyłącznie do użytku konsumencijskiego i prywatnego. W związku z tym gwarancja nie jest udzielana w przypadku zastosowań profesjonalnych i komercyjnych.
- Nie ma, w niektórych przypadkach (promocja tj. zakres narzędzi), możliwość przedłużenia okresu gwarancji w okresie opisanym powyżej przy rejestracji na stronie internetowej www.ryobitools.eu. Kwalifikowalność narzędzia jest wyraźnie określona w sklepach oraz/lub na opakowaniu. Użytkownik końcowy musi zarejestrować swoje nowe zakupione narzędzia online w ciągu 8 dni od daty zakupu. Użytkownik końcowy może zarejestrować się w celu rozszerzenia gwarancji w swoim kraju zamieszkania, jeśli jest on wymieniony w formularzu rejestracji online, kiedy ta opcja jest ważna. Ponadto użytkownicy końcowi muszą wyrazić zgodę na przechowywanie danych, które są wymagane do zalogowania online oraz muszą zaakceptować regulamin. Otrzymanie potwierdzenia rejestracji, które jest wysyłane na adres e-mail oraz oryginalna faktura z podaną datą zakupu będą służyły jako dowód przedłużonej gwarancji. Twoje prawa ustawowe pozostają nienaruszone.
- Gwarancja obejmuje wszystkie wady produktu w okresie gwarancyjnym, spowodowane usterkami w wykonaniu lub materiale w chwili nabycia. Gwarancja jest ograniczona do naprawy oraz/lub wymiany i nie obejmuje żadnych innych obowiązków w tym m.in. odpowiedzialności za szkody przypadkowe lub wtórne. Gwarancja nie jest ważna, jeśli produkt był użytkowany w niewłaściwy sposób, był wykorzystywane w sposób niezgodny z instrukcją obsługi lub był nieprawidłowo podłączony. Ta gwarancja nie obejmuje:
 - uszkodzenia produktu, które jest wynikiem nieprawidłowej konserwacji
 - produktu, który został przerobiony lub zmodyfikowany
 - produktu, w którym zmniejszono, zmieniono lub usunięto oryginalne oznaczenia (nazwę handlową, numer seryjny)
 - uszkodzeń spowodowanych nieprzestrzeganiem instrukcji obsługi
 - produktu bez certyfikatu CE
 - produktu, który był naprawiany przez niewykwalifikowaną osobę lub bez uprzedniej autoryzacji firmy Technich Industries
 - produktu podłączonego do nieprawidłowego źródła zasilania (napięcie, napięcie, częstotliwość)
 - produktu używanego z nieprawidłową mieszanką paliwa (paliwo, olej, zawartość procentowa oleju)
 - uszkodzeń spowodowanych przez przez czynniki zewnętrzne (chemiczne, fizyczne, uderzenia) lub obec substancje normalnego zużycia części zamiennych
 - niewłaściwego użytkownika, przecięcia narzędzia
 - stosowania niezatwierdzonych akcesoriów lub części
 - gaźnika po 6 miesiącach, regulacji gaźnika po 6 miesiącach
 - elementów (części i akcesoriów) podlegających naturalnemu zużyciu, m.in. galek odbojnikowych, pasów napędowych, sprężla, ostrego noża do żywopłotów lub kosiarzek, uprząży, przepustnicy, szcotek węglowych, przewodu zasilającego, zębów, podkładek filcowych, sworzní zaczepu, wentylatorów dmuchawy, przewodów dmuchawy i podciśnieniowych, worków próżniowych i pasków, prowadnic, łańcuchów piłarki, przewodów, mocowań złączy, dyszy rozpylających, kółek, lancy rozpylających kat., dmuchawy, dmuchawy i rury próżniowe, torbki próżniowe i paski, prowadnice, bębnowe wewnętrznych, szpul zewnętrznych, żyłki tnącej, świec zapłonowych, filtrów powietrza, filtrów gazu, ostroży do ściółkowania itp.
- W celu serwisowania produktu należy wysłać lub okazać w autoryzowanym centrum serwisowym RYOBI wymienionym dla każdego kraju na poniższej liście adresów stacji serwisowych. W niektórych krajach lokalny dealer firmy RYOBI zobowiązuje się wysłać produkt do centrum serwisowego firmy RYOBI. W przypadku wysyłki produktu do centrum serwisowego RYOBI, produkt należy dobrze zapakować, bez umieszczania żadnych niebezpiecznych rzeczy, tj. paliwa i oznaczyć adresem nadawcy oraz krótkim opisem usterki.
- Naprawa/wymiana w ramach tej gwarancji jest bezpłatna. Nie stanowi to przedłużenia lub nowego rozpoczęcia okresu gwarancji. Wymieniane części lub narzędzia stają się naszą własnością. W niektórych krajach koszty wysyłki lub pocztowe będą musiały być opłacone przez nadawcę.
- Ta gwarancja obowiązuje na terytorium Wspólnoty Europejskiej, Szwajcarii, Islandii, Norwegii, Liechtenstein, Turcji i Rosji. Poza tymi obszarami należy skontaktować się z autoryzowanym dealerem RYOBI aby sprawdzić, czy dostępna jest jeszcze inna gwarancja.

AUTORYZOWANY PUNKT SERWISOWY

Najbliższy autoryzowany punkt serwisowy można wyszukać w witrynie internetowej <http://uk.ryobitools.eu/header/service-and-support/service-agents>.

CS ZÁRUKA

Navíc k zákonným právům, které vznikají nákupem, je k výrobku poskytována záruka.

- Záruka je období 24 měsíců pro spotřebitele a začíná běžet datem nákupu produktu. Toto datum musí být zadokumentováno fakturou nebo jiným důkazem o koupi. Tento výrobek je určen a vyhrazen jen pro domácí a soukromé používání. Záruka se tedy neposkytuje pro profesionální ani komerční používání.
- Existuje, v některých případech (tj. propagace, určité nástroje), možnost prodloužení doby záruky nad výše uvedené období pomocí registrace na stránkách www.ryobitools.eu. Vhodnost nástroje je jasně vyobrazena v prodejních a/nebo na obalu. Koncový uživatel musí zaregistrovat své nové pořízené nástroje online během 8 dní od data nákupu. Koncový uživatel se může zaregistrovat k prodloužení doby záruky v zemi jeho trvalého bydliště, pokud je uvedeno v online registračním formuláři, kde je tato možnost platná. Navíc musí koncový uživatel poskytnout souhlas s uchováním údajů, které jsou zapotřebí do online registru a musí přijmout podmínky smlouvy. Přijetí potvrzení o registraci, odeslané e-mailem, a originální faktura udávající datum nákupu slouží jako důkaz prodloužené záruky. Vaše zákonná práva zůstávají nedotčena.
- Záruka pokrývá veškeré vady produktu během záruky způsobené vadami při zpracování nebo v materiálu v době nákupu. Záruka se omezuje na opravu a/nebo výměnu a nezahrnuje žádné jiné závazky včetně, ale ne omezeně na související nebo následné škody. Záruka neplatí, pokud, pokud se produkt nesprávně používal, používal v rozporu s návodem nebo byl nesprávně zapojen. Záruku nelze uplatnit v následujících případech:
 - jakákoliv škoda na výrobku v důsledku nesprávné údržby
 - jakýkoliv výrobek byl pozměněn či modifikován
 - jakýkoliv výrobek, kde byly původní identifikační značky (obchodní značka, výrobní číslo) odstraněny, pozměněny či modifikovány
 - jakákoliv škoda způsobená nedodržením návodu k obsluze
 - výrobek nemá značku CE
 - každý výrobek, kde došlo k pokusu jej opravit nekvalifikovanou osobou nebo bez předchozího souhlasu společnosti Technich Industries
 - každý výrobek byl připojen nesprávnému napájení (proud, napětí, frekvence)
 - každý výrobek, který se používal s nesprávnou palivovou směsí (palivo, olej, podíl oleje)
 - veškeré škody byly způsobeny externími vlivy (chemické, fyzické, nárazy) či cizími látkami
 - běžné opotřebení a spotřebení náhradní díly
 - nevhodné používání, přetěžování nástroje
 - použití neschválených doplňků nebo dílů
 - karburátor po 6 měsících, seřízení karburátoru po 6 měsících
 - komponenty (díly a doplňky) podléhající běžnému opotřebení, včetně, ale ne omezeně, nárazových tláček, hnacích řemenů, spojky, noží plotostřihů či sekaček trávy, postroje, lanka škrtící klapky, uhlikových kartáčů, napájecího kabelu, plechů, plstěných podložek, závlaček, ventilátorů fukaru, hadic fukaru a vysavače, vaku vysavače a popruhu, vodičů lišt, pilových řetězů, hadic, spojovacích tvarovek, rozprašovačích trysek, kol, stříkací trubice, vnitřních, vnějších cívek, sekacích strun, zapalovačích svíček, vzduchových filtrů, spalinyových filtrů, umlčovacích nožů atd.
- Pro servis výrobku je třeba zaslat nebo předložit pověřenému servisnímu středisku RYOBI dle seznamu adres servisních středisek. V některých zemích váš místní prodejce RYOBI provádí odeslání výrobku servisní organizaci RYOBI. Při zasílání výrobku servisnímu středisku RYOBI by se měl výrobek bezpečně zabalit bez nebezpečného obsahu jako benzín, označit adresu odesílatele a přiložit list krátkým popisem vady.
- Oprava/výměna během záruky je bezplatná. Neznamená prodloužení ani začátek nového záručního období. Vyměněné díly či nástroje se stávají naším vlastnictvím. V některých zemích doručení či poštovné platí odesílatel.
- Záruka je platná v Evropské unii, Švýcarsku, Islandu, Norsku, Lichtenštejnsku, Turecku a Rusku. U ostatních oblastí prosím kontaktujte pověřeného prodejce RYOBI pro upřesnění, zda platí jiná záruka.

POVĚŘENÉ SERVISNÍ STŘEDISKO

Pro nalezení nejbližšího pověřeného servisního střediska navštivte <http://uk.ryobitools.eu/header/service-and-support/service-agents>.

HU GARANCIA

A vásárlással összefüggő esetleges törvényi adta jogok mellett a termékre az alábbiakban részletezett garancia vonatkozik.

- A garancia időtartama a fogyasztók számára 24 hónap, ami a termék megvásárlásának napjától számítódik. Ezt a dátumot számlával vagy a vásárlást igazoló más dokumentummal kell igazolni. A terméket kizárólag a vevő által, személyes célokra való használatra terveztek és készítették. Ezért a garancia nem vonatkozik a profil általi vagy üzleti célokra való használatra.
- Egyes esetekben (pl. promóció, bizonyos termékcsaládok) lehetőség van a garancia időtartamának a fent leírt garanciaperióduson túli meghosszabbítására a www.ryobitools.eu webhelyen történő regisztrációval. Az, hogy egy adott gép jogosult-e erre, egyértelműen fel van tüntetve a boltokban és/vagy a csomagoláson. A végfelhasználónak a vásárlás napjától számított 8 napon belül regisztrálnia kell az újonnan beszerzett gépet. A végfelhasználó a kiterjesztett garanciáért a lakóhelye szerinti országban regisztrálhat, ha az szerepel az online regisztrációs űrlapon. Emellett a végfelhasználónak hozzá kell járulnia az online belépéshez szükséges adatai tárolásához és el kell fogadnia a szerződési feltételeket. A regisztráció e-mailben küldött visszaigazolása, valamint a vásárlást igazoló eredeti számla szolgálnak a kiterjesztett garancia érvényesítésére. A törvényi adta jogai nem sérülnek.
- A garancia a garancia időtartama alatt a termék összes olyan hibájára kiterjed, amelyek a vásárlás napján is fennálló gyártási vagy anyaghiba miatt következnek be. A garancia javításra és/vagy cseréire korlátozódik, és nem tartalmaz további kötelezettséget, beleértve, de nem kizárólag a véletlenszerű vagy következetes károkra vonatkozó kötelezettségeket sem. A garancia nem érvényes a termék helytelen használatára, a használati utasításban leírtakkal ellentétes használatra vagy hibás csatlakoztatásra esetén. A garancia nem vonatkozik a következőkre:
 - a termék helytelen karbantartásból eredő esetleges károsodásokra
 - átalakított vagy módosított termékekre
 - olyan termékre, melyen az eredeti azonosító jelöléseket (védjegy, sorozatszám) megrongálták, átalakították vagy eltávolították
 - a használati utasítás be nem tartásával összefüggő károkokra
 - a CE minősítéssel nem rendelkező termékekre
 - a nem képzett szakember által vagy a Techtronic Industries előzetes jóváhagyása nélkül javított termékekre
 - a nem megfelelő tápforrásokhoz (áramerősség, feszültség, frekvencia) csatlakoztatott termékekre
 - a nem megfelelő üzemanyag-keverékekkel (üzemanyag, olaj, olajarány) használt termékekre
 - külső hatások (vegyi, fizikai, ütés) vagy idegen anyagok által okozott károsodásokra
 - a cserealkatrészek normál kopására és elhasználódására
 - helytelen használatra, a szerszám túlterhelésére
 - nem jóváhagyott tartozékok vagy alkatrészek használatára
 - a karburátorra 6 hónap elteltével, a karburátor beállítására 6 hónap elteltével
 - Természetes elhasználódásnak és kopásnak kitett összetevőkre (alkatrészek és tartozékok), beleértve de nem kizárólag az ütközőgombokra, hajtószijakra, tengelykapcsolóra, sóvényvágó vagy fűnyíró késeire, vezetékkötegekre, gázkábelekre, szénkefákra, tápkábelre, kapákra, nemez alátétkarikákra, sasszegekre, fűvágó ventilátoraira, fűvő és vákuumszivókra, szívózsákokra és szijjakra, lánccsoportokra, fűrészlánccokra, tömlőkre, csatlakozásokra, szűrőfejekre, kerekre, lándzsákra, belső orsókra, külső orsókra, vágószálakra, gyújtógyertyákra, légszűrőkre, üzemanyagszűrőkre, tömörítő kapákra stb.
- A szervizeléshez a terméket el kell küldeni vagy be kell mutatni valamelyik hivatalos RYOBI szervizközpontban, melyek elérhetősége az egyes országokban az alábbiakban van megadva. Egyes országokban a RYOBI kereskedő vállalja, hogy elküldi a terméket a RYOBI szervizbe. A terméknek a RYOBI szervizállomásra való küldésekor a termék biztonságosan be kell csomagolni, mindenféle veszélyes anyagot, pl. üzemanyagot el kell távolítani belőle, meg kell adni a feladó címét és a hiba rövid leírását.
- A garancia keretében végzett javítás/cseréje ingyenes. Ugyanakkor ez nem jelenti a garancia időtartamának kiterjesztését vagy új garanciaperiódus kezdetét. A kicserélt alkatrészek vagy szerszámgepek a mi tulajdonunkban maradnak. Egyes országokban a szállítási vagy a postaköltségeket a feladó fizeti.
- Ez a garancia az Európai Közösségben, Svájcban, Izlandon, Norvégiában, Liechtensteinben, Törökországban és Oroszországban érvényes. Ezen területeken kívül az érvényes garancia-feltételeket illetően lépjen kapcsolatba a hivatalos RYOBI forgalmazóval.

HIVATALOS SZERVIZKÖZPONT

A legközelebbi hivatalos szervizközpont megtalálásához látogasson el a <http://uk.ryobitools.eu/header/service-and-support/service-agents>

RO GARANȚIE

În plus față de alte drepturi stabilite prin lege, produsul este acoperit de o garanție ce este menționată mai jos.

- Perioada de garanție este de 24 de luni pentru consumatori și începe de la data la care produsul a fost achiziționat. Această dată trebuie să fie dovedită de o factură sau altă dovadă de cumpărare. Produsul este proiectat și dedicat pentru consumatori și doar pentru uz privat. Ca urmare nu există nicio garanție asigurată în caz de folosire profesională sau comercială.
- Există, în anumite cazuri (de ex. promoții, game de produse) o posibilitate de a prelungi perioada de garanție peste perioada descrisă mai sus folosind înregistrarea pe site-ul www.ryobitools.eu. Eligibilitatea aparatului este afișată clar în magazin și/sau ambalaj. Utilizatorul final se poate înregistra pentru o garanție extinsă în țara sa de reședință dacă e listată pe formularul de înregistrare online acolo unde opțiunea este validă. Mai mult, utilizatorul final trebuie să-și dea consimțământul cu privire la păstrarea datelor ce sunt cerute a fi introduse online și trebuie să accepte termenii și condițiile. Notificarea de confirmare a înregistrării, ce este trimisă prin email, și factura originală ce arată data achiziționării vor servi ca dovadă a garanției extinse. Drepturile dvs stabilite rămân neafectate.
- Garanția acoperă toate defectele produsului în timpul perioadei de garanție cauzate de defecte din procesul de producție sau ale materialului la data achiziționării. Garanția este limitată la reparație și/sau înlocuire și nu include alte obligații incluzând dar nelimitându-se la pagube incidentale sau secundare. Garanția nu este validă dacă produsul a fost folosit greșit, folosit contrar instrucțiunilor din manual sau a fost conectat incorect. Această garanție nu se aplică la:
 - orice defecțiune a produsului ca rezultat a întreținerii necorespunzătoare
 - orice produs ce a fost schimbat sau modificat
 - orice produs unde marculaj original de identificare (marcă comercială, număr serie) a fost deteriorat, schimbat sau modificat
 - orice defecțiune cauzată de nerespectarea manualului de instrucțiuni
 - orice produs non CE
 - orice produs care a fost încercat să fie reparat de către o persoană necalificată sau fără autorizare în prealabil de către Techtronic Industries
 - orice produs conectat necorespunzător la sursa de curent (amperi, voltaj, frecvență)
 - orice produs folosit cu amestec necorespunzător de combustibil (combustibil, ulei, procentaj de ulei)
 - orice defecțiune cauzată de influențe externe (chimice, fizice, șocuri) sau substanțe străine
 - uzura normală a pieselor de schimb
 - folosire necorespunzătoare, suprasolicitare a sculei
 - folosire de accesorii și părți neaprobate
 - carburator după 6 luni, reglări ale carburatorului după 6 luni
 - componente (părți și accesorii) subiect a uzurii naturale, incluzând dar nelimitându-se la butoane rotative, curele de distribuție, ambreiaj, lame ale aparatelor de bordurat și tuns iarba, hamuri, cabluri de accelerație, perii de carbon, cabluri electrice, diși ale furcii, șaibe de pâslă, ventilatoare și tuburi de absorbție, sac vacuum și chingi, bare de ghidare, ferăstraie cu lanț, furtune, fittinguri de conectare, vergele de pulverizat, duze de pulverizat, roți, vergele de pulverizat, bobine interioare, bobine exterioare, fire pentru tăiat, buji, filtre de aer, filtre de gaz, lame protectoare, etc
- Pentru service, produsul trebuie să fie trimis sau prezentat la un punct service RYOBI autorizat listat pentru fiecare țară în următoarea listă cu adrese ale punctelor service. În anumite țări reprezentantul dvs local RYOBI se angajează să trimită produsul la un punct de service RYOBI. Atunci când se trimite un produs la un punct service RYOBI, produsul trebuie să fie împachetat cu grijă fără a conține produse periculoase precum benzină, marcat cu adresa expeditorului și însoțit de o scurtă descriere a defecțiunii.
- Repararea/inlocuirea în timpul garanției este fără niciun cost. Nu constituie o prelungire sau un nou început a perioadei de garanție. Părțile sau aparatele schimbate devin proprietatea noastră. În anumite țări taxele de expediere trebuie să fie plătite de către expeditor.
- Garanția este valabilă în Uniunea Europeană, Elveția, Islanda, Norvegia, Lichtenstein, Turcia și Rusia. În afara acestor zone, va rugăm contactați reprezentantul dvs local autorizat RYOBI pentru a determina dacă se aplică altă garanție.

CENTRU DE SERVICE AUTORIZAT

Pentru a găsi un centru de service autorizat lângă dvs., vizitați <http://uk.ryobitools.eu/header/service-and-support/service-agents>.

LV GARANTĪJA

Papildus visām likumā paredzētajām tiesībām saistībā ar iegādi šim izstrādājumam ir turpinājumā izklāstīta garantija.

1. Garantijas periods patērētājiem ir 24 mēneši, un tas sākas izstrādājuma iegādes dienā. Šim datumam ir jābūt dokumentātam rēķinā vai citā iegādi apliecināošā dokumentā. Šis izstrādājums ir izgatavots un paredzēts vienīgi patērētājam un privātai lietošanai. Profesionālas vai komerciālas lietošanas gadījumā garantija nav spēkā.
2. Atsevišķos gadījumos (piem., akcija, vairāki instrumenti) pastāv iespēja pagarināt garantijas periodu virs Seiti minētā perioda, reģistrējot to www.ryobitools.eu vietnē. Instrumenta pielietojums ir skaidri norādīts veikalos un/vai uz iepakojuma. Lietotājiem ir jāreģistrē sevi jauniegūtie instrumenti tiešsaistē 8 dienu laikā no iegādes datuma. Lietotājs var reģistrēties pagarinātajai garantijai savā dzīvesvietas valstī, ja tā ir norādīta tiešsaistes reģistrācijas veidlapā, kur pieejama šī iespēja. Turklāt lietotājiem ir jāievada dati tiešsaistē, jādod piekrišana šo datus uzglabāšanai un jāpiekrīt noteikumiem. Saņemtais reģistrācijas apstiprinājums, kas izsūtīts pa e-pastu, un rēķina oriģināls, kurā redzams iegādes datums, ir pagarinātās garantijas pierādījums. Jūsu likumā paredzētās tiesības netiek ietekmētas.
3. Garantija attiecas uz visiem izstrādājuma bojājumiem, kas radušies garantijas perioda laikā iegādes dienā esošo izgatavošanas vai materiāla defektu dēļ. Garantija ir ierobežota līdz remontam un/vai nomaigai un neietver citus pienākumus, ieskaitot, bet neaprobežojoties ar neaustu vai netiesīgu zaudējumiem. Garantija nav spēkā, ja izstrādājums ir lietots nepareizi vai neievērojot rokasgrāmatas norādījumus vai tīcis nepareizi savienots. Garantija netiecas uz:
 - izstrādājuma bojājumiem, kas radušies nepareizas apkopes dēļ;
 - izstrādājumiem, kas tikuši pielāgoti vai pārveidoti;
 - izstrādājumiem, kuru oriģinālais identifikācijas marķējums (preču zīme, sērijas numurs) tīcis sabojāts, pārveidots vai noņemts;
 - bojājumiem, kurus izraisījuši rokasgrāmatas norādījumu neievērošana;
 - izstrādājumiem bez CE marķējuma;
 - izstrādājumiem, kurus ir mēģinājis remontēt nekvalificēts speciālists vai kuri remontēti bez Technonic Industries atļaujas;
 - izstrādājumiem, kas tikuši pīvienoti neatbilstoši energopadevei (apmēri, spriegums, frekvence);
 - izstrādājumiem, kuros izmantotas nepareizas degvielas maisījums (degviela, eļļa, eļļas daudzums);
 - bojājumiem, kurus izraisījis ārēja iedarbība (ķīmiska, fiziska, triecieni) vai svešas vielas;
 - normālu detaļu nolietojumu un nodilumu;
 - instrumentu nepareizu lietošanu, pārslodzi;
 - neapstiprinātu detaļu un piederumu lietošanu;
 - karburatoru pēc 6 mēnešiem, karburatora regulējumiem pēc 6 mēnešiem;
 - komponentiem (detaļām un piederumiem), kas ir pakļauti dabiskam nodilumam un nolietojumam, ietverot, bet neaprobežojoties ar darbināšanas pogām, piedziņas siksnām, dzīvzoga trimeru un zāles plāvēju asmeņiem, plecu turētāju, kabeļa droseļi, oglekļa sukām, elektrības vadu, tapām, filca starplikām, sakabes tapām, pūtēja ventilatoriem, pūtēja un vakuuma caurulēm, vakuuma maisiem un lencēm, virzošajiem stieņiem, zāģa ķēdēm, šļūtenēm, savienotāja stiprinājumiem, smidzināšanas sprauslēm, riteniem, smidzināšanas nūjām, iekšējiem rulljiem, ārējām spļēm, griešanas auklām, aizdedzes svēcēm, gaisa filtriem, gāzes filtriem, mulčēšanas asmeņiem u. c.;
4. Ja nepieciešams veikt remontu, izstrādājums jānosūta vai jānodod RYOBI pilnvarotam servisa centram, kas norādīts pie attiecīgās valsts servisa centru adresu sarakstā. Atsevišķās valstīs vietējais RYOBI dīleris uzņemas nosūtīt izstrādājumu RYOBI servisa organizācijai. Nosūtīt izstrādājumu RYOBI servisa centram, izstrādājumam jābūt droši iepakotam bez bīstama satura, piemēram, degvielas, marķētam ar sūtītāja adresi un kopā ar īsu aprakstu par defektu.
5. Remonts/nomaigā šīs garantijas ietvaros ir bez maksas. Tas nepagarina un neuzsāk jaunu garantijas periodu. Nomainītās detaļas un instrumenti nonāk mūsu īpašumā. Atsevišķās valstīs piegādes maksa un pasta izdevumi jāsedz sūtītājam.
6. Šī garantija ir derīga Eiropas Kopienā, Šveicē, Islandē, Norvēģijā, Līhtenšteinā, Turcijā un Krievijā. Ārpus šiem reģioniem, lūdzu, sazināties ar savu pilnvaroto RYOBI dīleri, lai noskaidrotu, vai ir spēkā cita garantija.

AUTORIZĒTS APKALPOŠANAS CENTRS

Lai atrastu tuvāko autorizēto apkalpošanas centru, apmeklējiet <http://uk.ryobitools.eu/header/service-and-support/service-agents>.

LT GARANTĪJA

Be ištatymais nustatytų teisių, įgyjamų nusipirkus šį produktą, produktui taikoma toliau nurodyta garantija.

1. Pirkėjams galiojantis garantinis periodas yra 24 mėnesiai ir prasideda nuo produkto pirkimo datos. Data turi būti nurodyta sąskaitoje-faktūroje arba kitame pirmąjį įrodančiame dokumente. Produktas sukurtas ir skirtas tik naudotojui ir tik asmeniniam naudojimui. Todėl garantija netaikoma produktą naudojančiam profesionaliam ar komerciniam tikslais.
2. Kai kuriais atvejais yra galimybė pratęsti garantinį laikotarpį iki toliau nurodyto laikotarpio, prieš tai užsiregistravus www.ryobitools.eu svetainėje. Įrankio tinkamumo aiškiai parodytas parduotuvsė ir (arba) ant pakuotės. Galutinai naudotojas turi užregistruoti savo naujai įsigytus įrankius internetu per 8 dienas nuo jų pirkimo datos. Galutinai naudotojas gali užsiregistruoti dėl garantijos pratęsimo savo šalyje, jei ši pateikta registracijos internetu formoje, kurioje galimas šis pasirinkimas. Be to, galutinai naudotojai privalo duoti savo sutikimą laikyti duomenis, kuriuos reikia įvesti internete, ir jie turi sutikti su sąlygomis ir nuostatomis. Registracijos patvirtinimo pranešimas, išsiunčiamas el. paštu, ir originali sąskaita faktūra, kurioje nurodyta pirkimo data, įrodo pratęstą garantiją. Jūsų įstatymuose nustatytoms teisėms nebūs pakenkta.
3. Garantiniu laikotarpiu garantija taikoma visiems produkto trūkumams, atsiradusiems dėl prastos darbo kokybės arba prastų produkto medžiagų pirkimo dieną. Garantija taikoma tik taisymsi ir (arba) pakeitimui ir ji neenumatyti jokiu tik įspareigijomai, įskaitant, bet neapsiribojant atsitiktine ar susijusia žala. Garantija negalioja produktą netinkamai naudojanč, priešingai vadove nurodytoms instrukcijoms, arba netinkamai prijungus. Garantija netaikoma šiais atvejais:
 - produktui padarytai žalai netinkamai atliekant produkto techninę priežiūrą;
 - pakeistam arba modifikuotam produktui;
 - bet kokiems produktams, kurių originalios identifikacijos (prekės ženklas, serijos numeris) žymės buvo sugadintos, pakeistos ar pašalintos;
 - bet kokiai žalai, patirtai nesilaikant naudojimo vadovo;
 - bet kokiame CE nepaženkintame produktui;
 - bet kokiame produkte, kurį bandė taisyti nekvalifikuotas specialistas, arba iš anksto negavus „Technonic Industries“ leidimo;
 - bet kokiame produkte, įjungtam į netinkamą maitinimo tinklą (amperai, įtampa, dažnis);
 - bet kokiame produkte, naudojamam su netinkamu degalų mišiniumi (degalai, alyva, alyvos procentinis kiekis);
 - bet kokiai žalai, kilusiai dėl išorinio poveikio (cheminis, fizinis poveikis, smūgiai) arba pašalinii medžiagų;
 - įprastam atsarginių dalių dėvėjimuisi;
 - produktą netinkamai naudojant arba jį perkrovus;
 - naudojant nepatvirtintus priedus arba dalis;
 - karbiuratoriu po 6 mėnesių, karbiuratoriaus reguliavimui po 6 mėnesių;
 - komponentams (dalims ir priedams), kurie dėvisi savaime, įskaitant, bet neapsiribojant iškiliais mygtukai, diržinėmis pavaromis, sankaba, gyvatrosės žirklių arba vejos pjovimo mašinų asmeņimis, diržais, kabelio droseļiu, anglies šepetėliais, maitinimo laidu, virbams, veltinio poveržlėmis, traukimo kaiščiais, pūtimo ventilatoriais, pūstuvu ir siurblio vamzdžiais, siurblio maišeliu ir dirželiais, kreipiamaisiais strypais, pjūklo grandinėms, žarnelėms, jungtimis, purkštukais, ratais, purškimo lazdelemis, vidiniais suktais, išorinėms ritėms, mulčintuvais, uždegimo žvakėms, oro filtrais, dujų filtrais, mulčiavimo asmeņimis ir t. t.;
4. Norint atlikti techninį aptarnavimą, produktą reikia nusiųsti arba pristatyti į vieną iš RYOBI įgaliotų techninio aptarnavimo punktų, esančių kiekvienoje šalyje toliau pateiktame aptarnavimo punktų adresų sąrašė. Kai kuriose šalyse jūsų vietinis RYOBI pardavėjas gali nusiųsti produktą į RYOBI techninio aptarnavimo punktą. Siunčiant produktą į RYOBI techninio aptarnavimo punktą, produktą reikia saugiai supakuoti, prieš tai iš jo pašalinus pavojingas medžiagas, pavyzdžiui, benzina, nurodyti siuntėjo adresą ir pridėti trumpą gėdimo aprašymą.
5. Pagal šią garantiją taisyms ar keitimo darbai atliekami nemokamai. Garantijoje nenumatytas garantijos pratėsimas ar naujo garantinio laikotarpio pradėjimas. Pakeistos dalys arba įrankiai tampa mūsų nuosavybe. Kai kuriose šalyse pristatymo ar siuntimo paštu išlaidas turi padengti siuntėjas.
6. Ši garantija taikoma Europos bendrijoje, Šveicarijoje, Islandijoje, Norvegiijoje, Lichtenšteine, Turkoijoje ir Rusijoje. Kitose šalyse kreipkitės į savo įgaliotą RYOBI pardavėją, norėdami sužinoti, ar taikoma kita garantija.

ĮGALIOTAS TECHINIS PRIEŽIŪROS CENTRAS

Jei norite surasti įgaliotą techninės priežiūros centrą netoli Jūsų, apsilankykite interneto svetainėje <http://uk.ryobitools.eu/header/service-and-support/service-agents>.

ET GARANTI

Lisaks ostu puhul kaasnevate seadusjärgsetele õigustele kehtib tootele allpool esitatud tingimustega garanti.

- Ostja poolt ostetud tootele on kehtestatud garantiiperiood 24 kuud ja see hakkab kehtima toote ostmise kuupäeval. See kuupäev on märgitud arvele või muule ostu tõendavale dokumendile. Toode on ette nähtud ostjale ainult isiklikuks kasutamiseks. Kui toodet kasutatakse ametialastel või ärilistel eesmärkidel, siis garanti ei kehti.
- Mõnel juhul (nt reklaam, seadmete seeria) on võimalik pikendada garantiiperioodi pikemaks ajaks kui ülal mainitud, kui kasutatakse registreerimist veebisaidil www.ryobitools.eu kaudu. Registreerimise tingimused on välja pandud kauplustesse ja/või on pakendil. Lõppkasutaja peab oma uued tööriistad veebis registreerima 8 päeva jooksul alates ostukuupäevast. Lõppkasutaja võib registreerida end pikendatud garantiis oma asukohamaal, kui see on esitatud veebis registreerimise loendil, seal kus see valik on olemas. Peale selle, lõppkasutajad peavad andma nõusoleku enda andmete salvestamiseks, mida vajatakse veebi siseneamiseks ja nõustuma esitatud tingimustega. Pikendatud garanti kehtivust tõendab e-postiga saadetud registreerimise kinnitusteade ja algupärane arve, millel on ostukuupäev. Teie seadusjärgsed õigused jäävad mõjutamata.
- Garanti kehtib kõikidele ostukuupäevast kehtima hakkaval garantiiperioodil ilmenud rikete suhtes, mis on tingitud töötemis- või materjalvigadest. Garanti on piiratud remondi ja/või asendamisega ja ei sisalda muid kohustusi, kuid mitte ainult, kaasneva või tuleneva kahju eest. Garanti ei kehti, kui toodet on väärkasutatud, kasutusjuhendis nimetatud ostarbele mittevastavalt kasutatud või toode on ebaõigesti ühendatud. See garanti ei rakendu järgmistel juhtudel:
 - tootel on mingi vigastus, mis on põhjustatud ebaõigest kasutamisest,
 - toodet on mingil viisil ümber ehitatud või muudetud,
 - toote algupärane tuvastusmarkering (kaubamärk, seerianumber) on kahjustatud, ümber tehtud või eemaldatud,
 - tootel on mingi vigastus, mis on tingitud kasutusjuhendi mittejälgimisest,
 - toode ei ole CE-märgisega,
 - toodet on püüdnud parandada ebapädev spetsialist või seda on tehtud ilma Techtronic Industries volitusteta,
 - toode on ühendatud selleks mitteettenähtud elektritöevõrguga (väär voolu tugevus, pinge või sagedus),
 - tootes on kasutatud mitteettenähtud kütusesegu (kütus, õli, väär õli vahetor),
 - tootel on vigastus välismõjudest (keemilised või füüsilised mõjud või löögid),
 - toote varuosadel ilmneb tavapärane kulumine,
 - toodet on ebaõigesti kasutatud või üle koormatud,
 - tootel on kasutatud mitteettenähtud tarvikuid või osi,
 - toote karburaator pärast 6 kuu möödumist, toote karburaatori sätteid pärast 6 kuu möödumist,
 - toote koosteosadel (osad ja tarvikud) ilmneb tavapärane kulumine järgmistel detailidel (kuid mitte ainult): etteandepuud, ajamirhmad, sidur, hekilõikuri või muruniiduki terad, rakmed, gaasitross, süsinikharjad, toitejuhe, piid, viltseibid, vedrutihvid, puhumisventilaatorid, puhuri ja imuri torud, imisüsteemi kotid ja ribad, juhtvardad, saeketid, voolikud, ühendusliitmikud, düüsid, rattad, puhustustorud, sisetruumid, välispuolid, lõikejõhvid, süüteküünlad, õhufiltrid, gaasifiltrid, multismitsterad jne.
- Hooldamiseks tuleb toode saata või tuua mõnda RYOBI volitatud hoolduspunkti, mis on esitatud loendis iga riigi jaoks ja milles on hoolduspunkti aadressid. Mõnes riigis kohustub RYOBI edasimüüja saama toote RYOBI hooldusasutusse. Kui toode saadetakse RYOBI hooldusasutusse, tuleb toode turvaliselt ära pakkida ilma, et sellesse jääks ohtlikku sisu, näiteks bensiin ja pakendile tuleb märkida saatja aadress ja riike lühikirjeldus.
- Selle garanti alusel tehtud remont/asendus on tasuta. Sellega ei kaasne garantiiperioodi pikenedmine või uue garantiiperioodi algus. Asendatud osad ja tööriistad jäävad meie omandusse. Mõnes riigis tuleb saate- või postikulud tasuda saatja poolt.
- See garanti kehtib Euroopa Liidus, Šveitsis, Islandil, Norras, Liechtensteinis, Türgis ja Venemaal. Väljaspool neid riike võtke ühendust Ryobi volitatud edasimüüjaga, et teada saada teistsuguste garantiide kehtivust.

VOLITATUD HOOLDUSKESKUS

Oma volitatud hoolduskeskuse leiate veebisaidil <http://uk.ryobitools.eu/header/service-and-support/service-agents>.

HR JAMSTVO

U dodatku svih zakonskih prava koja proizilaze kao rezultat kupnje, ova proizvod pokriven je jamstvom kao što je utvrđeno u nastavku.

- Jamstveno razdoblje je 24 mjeseca za korisnike, a započinje na datum kupnje proizvoda. Ovak datum treba biti dokumentiran računom ili nekim drugim dokazom o kupnji. Proizvod je dizajniran i namijenjen samo za korisnike i osobno korištenje. Stoga nema omeđenoj jamstava u slučaju profesionalnog ili komercijalnog korištenja.
- U nekim slučajevima (primjerice promocije, paleta alata) postoji mogućnost produženog jamstvenog razdoblja preko gore navedenog razdoblja korištenjem registracije na web mjestu www.ryobitools.eu. Sukladnost alata jesno je prikazana u trgovini i/ili na pakiranju. Krajnji korisnik treba registrirati svoje novo pribavljene alate na mreži unutar 8 dana od datuma kupnje. Krajnji korisnik može se registrirati za produženo trajanje jamstva u svojoj zemlji stanovanja ako je navedena na mrežnom obrascu za registraciju gdje je ova opcija valjana. Nadalje, krajnji korisnici moraju dati svoje odobrenje za spremanje podatka koji su potrebni za unos na mreži i moraju prihvatiti uvjete i odredbe. Primitak potvrde o registraciji, koja se šalje e-poštom i originalni račun koji prikazuje datum kupnje služe kao dokaz produženog jamstva. Vaša zakonska prava ostaju nepromijenjena.
- Jamstvo pokriva sve kvarove proizvoda tijekom jamstvenog razdoblja zbog pogreški u izradi ili materijalu na datum kupnje. Jamstvo je ograničeno na popravak i/ili zamjenu i ne uključuje nikakve druge obveze uključujući no ne ograničavajući se na slučajne ili posljedne štete. Jamstvo nije valjano ako je proizvod pogrešno korišten, korišten suprotno od korisničkog priručnika ili je nepravilno priključen. Ovo jamstvo se ne primjenjuje na:
 - svako oštećenje proizvoda koje je rezultat nepravilnog održavanja
 - svaki proizvod koji je izmijenjen ili modificiran
 - svaki proizvod gdje su originalne identifikacijske oznake (zaštitni znak, serijski broj) izbrisane, zamijenjene ili uklonjene
 - svako oštećenje uzrokovano nepridržavanjem korisničkog priručnika
 - svaki proizvod koji nije CE
 - svaki proizvod koji je pokušao popraviti nekvalificirani profesionalac ili bez prethodnog odobrenja od strane Techtronic Industries
 - svaki proizvod priključen na nepravilno napajanje energijom (amperji, napon, frekvencija)
 - Svaki proizvod korišten s neodgovarajućom mješavinom (gorivo, ulje, postotak ulja)
 - svako oštećenje uzrokovano vanjskim utjecajima (kemijsko, fiziko, udar) ili stranim stvarima
 - normalno trošenje i habanje rezervnih dijelova
 - nepravilno korištenje, preopterećenje alata
 - korištenje neodobrenog dodatnog pribora ili dijelova
 - rasplinjača nakon 6 mjeseci, podešavanje rasplinjača nakon 6 mjeseci
 - komponente (dijelovi i dodatni pribor) koji su predmet prirodnog trošenja i habanja, uključujući no ne ograničavajući se na gumbce za otpuštanje, pogonske remene, spojku, oštrice trimera za grmlje ili kosilicu, kope, sajle gasa, ugljene četke, kabele za napajanje, noževe, podloške, ztike za zglobovne veze, ventilatore pihalice, cijevi za ispuhivanje i usisavanje, vakuumske vrećice i trake, vodilice, lance pile, crijeva, priključne elemente, mlaznice za raspršivanje, kotače, kopljica za raspršivanje, unutarnje kolote, vanjske kaleme, fiksne, svječice, filtre za zrak, filtre za plin, oštrice za usitrjavanje itd.
- Za servisiranje, proizvod se mora poslati ili predati ovlaštenoj stanici za servis tvrtke RYOBI navedenoj za svaku zemlju u sljedećem popisu adresa stanica za servis. U nekim zemljama vaša lokalni RYOBI zastupnik obavezan je poslati proizvod u servisnu organizaciju tvrtke RYOBI. Prilikom slanja proizvoda u stanicu za servis tvrtke RYOBI, proizvod treba biti sigurno pakiran bez ikakvog opasnog sadržaja poput bencina, s označenom adresom pošiljatelja i pripadajućim kratkim opisom pogreške.
- Popravak/zamjena pod ovim jamstvom se ne naplaćuje. Ne produžuje zakonsko ili ne započinje novo jamstveno razdoblje. Zamijenjeni dijelovi ili alati postaju naše vlasništvo. U nekim zemljama pošiljatelj plaća poštarinu.
- Ovo jamstvo je valjano u Europskoj zajednici, Švicarskoj, Islandu, Norveškoj, Litvenštajnu, Turskoj i Rusiji. Izvan ovih područja molimo vas da kontaktirate vašeg ovlaštenog zastupnika tvrtke RYOBI kako biste odredili ako se primjenjuje druga jamstva.

OVLAŠTENI SERVISNI CENTAR

Za pronalazjenje ovlaštenog servisnog centra pored vas posjetite <http://uk.ryobitools.eu/header/service-and-support/service-agents>.

SL GARANCIJA

Poleg kakršnih koli zakonskih pravic, ki jih pridobite z nakupom, za ta izdelek velja tudi garancija, kot je opisano spodaj.

- Garancijsko obdobje je 24 mesecev za potrošnike in se začne z datumom nakupa. Ta datum mora biti dokumentiran z računom ali drugim dokazilom o nakupu. Izdelek je namenjen in posvečen le potrošniški in zasebni uporabi. Zato garancija ne velja za profesionalno ali komercialno uporabo.
- V nekaterih primerih (npr. promocija, obseg orodij) obstaja možnost podaljšanja garancijskega obdobja prek zgoraj opisanega obdobja, kar je mogoče storiti z registracijo na spletnem mestu www.ryobitools.eu. Namen orodja je jasno označen v trgovinah in/ali na embalaži. Končni uporabnik mora svoje novo orodje registrirati prek spleta v 8 dneh od datuma nakupa. Končni uporabnik se lahko registrira za podaljšano garancijo v svoji državi, kjer ima stalno prebivališče, če je država vključena na seznam in obrazcu za registracijo, kjer je ta možnost veljavna. Poleg tega mora končni uporabnik odobriti shranjevanje podatkov, ki so potrebni za spletni vstop, in morajo sprejeti pogoje in določila. Potrldilo o registraciji, ki se pošlje po e-pošti, ter originalni račun, na katerem je naveden datum nakupa, veljata kot dokazilo o podaljšani garanciji. Vaše zakonske pravice ostanejo nespremenjene.
- Garancija krije vse okvare izdelka med garancijskim obdobjem zaradi napak v izdelavi ali materialu na datum nakupa. Garancija je omejena na popravilo/zamenjavo in ne vključuje drugih obveznosti, med drugim ne vključuje obveznosti zaradi nenamerne ali posledične škode. Garancija ni veljavna, če je bil izdelek zlorabljen, uporabljen v nasprotju z navodili za uporabo ali nepravilno priključen. Garancija ne velja:
 - za kakršno koli poškodbo izdelka, ki je posledica neprimernega vzdrževanja,
 - če je bil izdelek spremenjen ali modificiran,
 - če so originalne identifikacijske oznake (blagovna znamka, serijska številka) na izdelku poškodovane, spremenjene ali odstranjene,
 - če je do poškodbe prišlo zaradi neupoštevanja navodil za uporabo,
 - za katere koli izdelke, ki niso skladni z oznako CE,
 - če je izdelek poskusil opraviti neusposobljen strokovnjak ali brez predhodne odobritve družbe Techtron Industries,
 - če je bil izdelek priključen na neustrezno električno omrežje (jakost, napetost, frekvenca),
 - če je bil izdelek uporabljen z neustrezno mešanico goriva (gorivo, olje, odstotek olja),
 - če je do poškodbe prišlo zaradi zunanjih vplivov (kemični, fizični, udarci) ali tujih snovi,
 - za normalno obrabo nadomestnih delov,
 - neustrezne uporabe, preobremenitve orodja,
 - uporabe neodobrenih dodatkov ali delov,
 - za uplinjač po 6 mesecih, prilagoditve uplinjača po 6 mesecih,
 - za sestavne dele (dele in dodatke), ki so podvrženi normalni obrabi, med drugim za vzmetne gumbe, pogonske jermene, sklopko, rezila obrezovalnikov ali kosilnic, nosilni trak, kabelske dušilke, karbonskih krtačk, napajalnega kabla, zobovje, polstene podložke, varnostne zatiče, ventilatorje, puhalne in sesalne cevi, sesalne vreče in trakovce, vodila, verige za žage, gibljive cevi, nastavke priključkov, pršilne šobe, kolesa, pršilne palice, notranje kolute, zunanja vretena, rezalne nitke, vzglajne svečke, zračne filtre, plinske filtre, drobilna rezila itd.,
- Za servisiranje je treba izdelek poslati ali prinesiti v pooblaščen servisni center RYOBI, ki je za vsako državo naveden na naslednjem seznamu z naslovi servisnih centrov. V nekaterih državah pošiljanje izdelka servisnemu centru RYOBI prevzame lokalni trgovec z izdelki RYOBI. Za pošiljanje servisnemu centru RYOBI mora biti izdelek varno zapakiran, brez kakršnih koli nevarnih snovi, npr. gorivo, označen z naslovom pošiljatelja, priložen pa mora biti kratek opis napake.
- Popravilo/nadomestilo v sklopu te garancije je brezplačno. Ne pomeni podaljšanja ali novega začetka garancijskega obdobja. Zamenjani deli ali orodja postanejo naša last. V nekaterih državah mora stroške pošiljanja ali dostave poravnati pošiljatelj.
- Ta garancija je veljavna v Evropski skupnosti, Švici, na Islandiji, Norveškem, v Liechtensteinu, Turčiji in Rusiji. Izven teh področij stopite v stik s pooblaščenim trgovcem RYOBI, da ugotovite, ali velja katera druga garancija.

POOBLAŠČEN SERVISNI CENTER

Pooblaščen servisni center blizu vas poiščite na <http://uk.ryobitools.eu/header/service-and-support/service-agents>.

SK ZÁRUKA

Okrem zákonných práv vyplývajúcich zo zakúpenia je tento produkt pokrytý zárukou, ako je uvedené nižšie.

- Záručná doba pre spotrebiteľov je 24 mesiacov a začína dňom zakúpenia produktu. Tento datum musí byť zdokumentovaný faktúrou alebo iným dokladom o kúpe. Tento produkt je navrhnutý a určený len na spotrebiteľné a osobné použitie. Takže v prípade profesionálneho alebo komerčného použitia neplatí žiadna záruka.
- V niektorých prípadoch (napr. reklamná akcia, rad produktov) existuje možnosť predĺženia záručnej doby nad dobu uvedenú vyššie pomocou registrácie na webovej stránke www.ryobitools.eu. Spôsobilosť nástroja je zreteľne zobrazená v obchodoch a ba obale. Koncový používateľ si musí zaregistrovať svoje novonadobudnuté nástroje online do 8 dní odo dňa zakúpenia. Koncový používateľ sa môže zaregistrovať za účelom získania predĺženej záruky vo svojej krajine, ak je uvedená v online registračnom formulári, kde je táto možnosť platná. Okrem toho musia koncoví používatelia poskytnúť súhlas k uloženiu údajov, ktoré sa zadávajú online a musia súhlasiť so zmluvnými podmienkami. Doklad s potvrdením o registrácii, ktorý posielame prostredníctvom e-mailu a originál faktúry s uvedeným dátumom zakúpenia slúžia ako dôkaz predĺženej záruky. Vaše zákonné práva ostávajú nedotknuté.
- Táto záruka pokrýva všetky poruchy produktu počas záručnej doby, ktoré vznikli následkom nedostatkov vo vypracovaní alebo materiáli v deň zakúpenia. Táto záruka je obmedzená na opravu alebo výmenu a nezahŕňa ďalšie povinnosti, napríklad vedľajšie alebo následné škody. Táto záruka je neplatná, ak bol produkt požívaný nesprávne, používaný v rozpore s návodom na použitie alebo nesprávne pripojený. Táto záruka sa nevzťahuje na:
 - akékoľvek poškodenie produktu, u ktorého došlo následkom nesprávnej údržby
 - akýkoľvek produkt, ktorý bol pozmenený alebo upravený
 - akýkoľvek produkt, na ktorom boli poškodené pozmenené alebo odstránené originálne identifikačné znaky (obchodná známka, sériové číslo)
 - akékoľvek poškodenie spôsobené následkom nedodržania návodu na použitie
 - akýkoľvek produkt iný ako CE
 - akýkoľvek produkt, o ktorého opravu sa pokúšal nequalifikovaný odborník alebo v prípade opravy bez predchádzajúceho oprávnenia od spoločnosti Techtron Industries
 - akýkoľvek produkt pripojený k nesprávnejmu napájaciemu zdroju (prúd, napätie, frekvencia)
 - akýkoľvek produkt používaný s nevhodnou palivovou zmesou (palivo, olej, percento oleja)
 - akékoľvek poškodenie spôsobené vonkajšími vplyvmi (chemické, fyzické, nárazy) alebo cudzími látkami
 - bežné opotrebenie náhradných dielov
 - nesprávne používanie a preťažovanie nástroja
 - používanie neschváleného príslušenstva alebo dielov
 - karburátor po 6 mesiacoch, úpravy karburátora po 6 mesiacoch
 - komponenty (diely a príslušenstvo), ktoré podliehajú prirodzenému opotrebeniu, napríklad pružinové tlačidlá, hnacie remene, spojka, ostria strihača živého plotu alebo kosačky trávy, postroj, ťahadlo škrtiacej klapky, uhlíkové kefky, napájací kábel, končeky, plstené podložky, koľky s háčikom, ventilátory dýchadla, rúrky dýchadla a vysávača, vrecko a remene vysávača, vodiace líšty, pilové rezače, hadice, konektorové armatúry, rozprašovacie trysky, kolieska, striekacie tyče, vnútorné navijaky, vonkajšie cievky, rezné drôty, zapalovacie svečky, vzduchové filtre, benzínové filtre, mulčovacie ostria a pod.
- Na servis sa musí produkt odoslať alebo predložiť autorizovanému servisnému centru RYOBI uvedenému pre každú krajinu v nasledujúcom zozname adries servisných staníc. V niektorých krajinách pošle produkt do servisnej organizácie RYOBI váš miestny predajca produktov RYOBI. Pri odosielaní produktu do servisnej stanice RYOBI musí byť produkt bezpečne zabalený bez akéhokoľvek nebezpečného obsahu, napríklad paliva, označený adresou odosielateľa a musí byť k nemu priložený krátky popis poruchy.
- Oprava či výmena v rámci tejto záruky je bezplatná. Nevýplvja z nej predĺženie či nový začiatok záručnej doby. Výmenené diely alebo nástroje sa stávajú našim majetkom. V niektorých krajinách doručovací poplatok alebo poštovné platí odosielateľ.
- Táto záruka je platná v Európskej únii, Švajčiarsku, na Islande, v Nórsku, Lichtenštajnsku, Turecku a Rusku. Mimo týchto oblastí kontaktujte autorizovaného predajcu spoločnosti Ryobi, u ktorého zistíte, či platí nejaká iná záruka.

AUTORIZOVANÉ SERVISNÉ CENTRUM

Ak chcete nájsť najbližšie autorizované servisné centrum, navštívte stránku <http://uk.ryobitools.eu/header/service-and-support/service-agents>.

BG ГАРАНЦИЯ

В допълнение към законоустановените права, произтичащи от покупката, този продукт е обхванат от гаранцията, както е изложено по-долу.

1. Гаранционният срок е 24 месеца за клиенти и започва да тече от деня на закупуване на продукта. Тази дата трябва да се докаже с фактура или друго доказателство за покупка. Продуктът е изработен и предназначеният само за потребителска и лична употреба. Следователно не се дава гаранция в случай на използване от професионалисти или с търговска цел.
2. В някои случаи (като промоция, гама инструменти) съществува възможност за удължаване на гаранционния срок след изтичането на описания тук чрез регистрация на уеб сайта www.ryobitools.eu. Дали инструментът отговаря на условията за такова удължаване, ясно показано в магазини и/или върху опаковката. Крайният потребител трябва да регистрира своите новопридобити инструменти онлайн в рамките на 8 дни от датата на покупка. Крайният потребител може да се регистрира за удължена гаранция в държавата си на пребиваване, ако е посочена във формуляра за онлайн регистрация като място, където тази опция е валидна. Освен това крайните потребители трябва да дадат съгласието си за съхранение на данните, които са задължителни за ползване онлайн, и трябва да приемат общите условия. Полученото потвърждение за регистрация, изпратено по имейл, и оригиналната фактура, показваща датата на покупка, ще служат като доказателство за удължената гаранция. Законоустановените Ви права остават незасегнати.
3. Гаранцията покрива всички дефекти на продукта по време на гаранционния срок, които се дължат на проблеми в изработката или материалите към момента на покупката. Гаранцията е ограничена до ремонт и/или замяна и не включва други задължения, включително, но не само, случайни или закономерни щети. Гаранцията е невалидна, ако продуктът е използван неправилно или в противоречие с ръководството с инструкции, както и ако е свързан неправилно. Тази гаранция не важи за:
 - щети по продукта в резултат на неправилна профилактика;
 - продукти, които са били изменени или модифицирани;
 - продукт, при който оригиналните маркировки за идентификация (търговска марка, сериен номер) са изтрети, променени или премахнати;
 - повреда, причинена от неспазване на ръководството с инструкции;
 - продукт без CE маркировка;
 - продукт, за който е направен опит за ремонт от некавалифициран специалист или без предварително разрешение от Techtronic Industries;
 - продукт, свързан към неподходящо електрозахранване (ампераж, волтаж, честота);
 - продукт, използван с неподходяща горивна смес (гориво, масло, процент масло);
 - щети, причинени от външни влияния (химични, физични, удари) или чужди вещества;
 - нормално износване на резервни части;
 - неподходяща употреба, претоварване на инструмента;
 - използване на неодобриени аксесоари или части;
 - карбуратора след 6 месеца, настройки на карбуратора след 6 месеца;
 - компоненти (част и аксесоари), подложени на естествено износване, включително, но не само, копчета за тласкане, задвижващи ремъци, съединител, остриета на ножници за жив плет, косачки, самар, кабелен дросел, карбонови четки, захранващ кабел, остриета, филцови шайби, осигурителни шифтове, вентилатори на уреди за обдуване, тръби за обдуване и всмукване, торба за отпадъци и ремъци, водеща шина, вериги за триони, маручки, фитинги на конектори, дюзи, колела, пръскалки, въздушни и външни махари, режещо влакно, запалителни свещи, въздушни филтри, горивни филтри, остриета за мулчиране и т.н.
4. За обслужване продуктът трябва да се изпрати или занесе на оторизиран сервиз на RYOBI, посочен за всяка държава в следния списък с адреси на сервиси. В някои държави местният търговец на RYOBI поема да изпрати продукта до сервизен център на RYOBI. При изпращане на продукт до сервиз на RYOBI продуктът трябва да е опакован безопасно без опасно съдържание, като бензин, да е маркиран с адреса на подателя и придружен от кратко описание на повредата.
5. Ремонтът или замяната по силата на тази гаранция са безплатни. Те не водят до удължаване или подновяване на гаранционния срок. Сменените части или инструменти стават наша собственост. В някои държави таксите за доставка или изпращане трябва да се платят от подателя.
6. Тази гаранция е валидна в Европейската общност, Швейцария, Исландия, Норвегия, Лихтенщайн, Турция и Русия. Извън тези области се свържете с упълномощения търговец на RYOBI, за да се установи дали са приложими други гаранции.

УПЪЛНОМОЩЕН СЕРВИЗЕН ЦЕНТЪР

За да намерите упълномощен сервизен център близо до вас, посетете <http://uk.ryobitools.eu/header/service-and-support/service-agents>.

EN EC DECLARATION OF CONFORMITY

Techtronic Industries GmbH
Max-Eyth-Straße 10, 71364 Winnenden, Germany

Herewith we declare that the product

Electric Cultivator
Brand: Ryobi
Model number: RCP1225
Serial number range: 44437801000001 - 44437801999999

is in conformity with the following European Directives and harmonised standards
2006/42/EC, 2004/108/EC, 2000/14/EC, 2005/88/EC, 2011/65/EU,
EN 60335-1:2012+A11:2014, EN 709:1997+A4:2009,
EN 55014-1:2006+A1:2009+A2:2011, EN 55014-2:1997+A1:2001+A2:2008,
EN 61000-3-2:2014, EN 61000-3-3:2013, EN 62233:2008, EN 50581:2012

Measured sound power level: 90.2 dB (A)
Guaranteed sound power level: 93 dB (A)
Conformity assessment method to Annex VI Directive 2000/14/EC amended by 2005/88/EC.

The notified body involved:
Société Nationale de Certification et d'Homologation (Notified Body 0499)
11, route de Luxembourg L-5230 Sandweiler

Andrew John Eyre (BEng, CEng, MIET)
Vice President, Regulatory & Safety
Winnenden, Mar. 18, 2015

Authorised to compile the technical file:
Alexander Krug, Managing Director
Techtronic Industries GmbH
Max-Eyth-Straße 10, 71364 Winnenden, Germany

CE

DE EG KONFORMITÄTSERKLÄRUNG

Techtronic Industries GmbH
Max-Eyth-Straße 10, 71364 Winnenden, Germany

Hiermit erklären wir, dass die Produkte

Elektrischer Kultivator
Marke: Ryobi
Modellnummer: RCP1225
Seriennummernbereich: 44437801000001 - 44437801999999

mit den folgenden europäischen Richtlinien und harmonisierten Normen übereinstimmt
2006/42/EC, 2004/108/EC, 2000/14/EC, 2005/88/EC, 2011/65/EU,
EN 60335-1:2012+A11:2014, EN 709:1997+A4:2009,
EN 55014-1:2006+A1:2009+A2:2011, EN 55014-2:1997+A1:2001+A2:2008,
EN 61000-3-2:2014, EN 61000-3-3:2013, EN 62233:2008, EN 50581:2012

Gemessener Schalleistungspegel: 90.2 dB (A)
Garantierter Schalleistungspegel: 93 dB (A)
Konformitätsbeurteilungsmethode zu Anhang VI Richtlinie 2000/14/EC wie durch 2005/88/EC.

Benannte Stelle:
Société Nationale de Certification et d'Homologation (Benannte Stelle 0499)
11, route de Luxembourg L-5230 Sandweiler

Andrew John Eyre (BEng, CEng, MIET)
Vizepräsident, Vorschriften und Sicherheit
Winnenden, Mar. 18, 2015

Autorisiert die technische Datei zu erstellen:
Alexander Krug, Geschäftsführer
Techtronic Industries GmbH
Max-Eyth-Straße 10, 71364 Winnenden, Germany

CE

FR DÉCLARATION DE CONFORMITÉ CE

Techtronic Industries GmbH
Max-Eyth-Straße 10, 71364 Winnenden, Germany

Déclarons par la présente que le produit

Motobuseuse électrique
Marque: Ryobi
Numéro de modèle: RCP1225
Étendue des numéros de série: 44437801000001 - 44437801999999

est conforme aux Directives Européennes et Normes Harmonisées suivantes
2006/42/EC, 2004/108/EC, 2000/14/EC, 2005/88/EC, 2011/65/EU,
EN 60335-1:2012+A11:2014, EN 709:1997+A4:2009,
EN 55014-1:2006+A1:2009+A2:2011, EN 55014-2:1997+A1:2001+A2:2008,
EN 61000-3-2:2014, EN 61000-3-3:2013, EN 62233:2008, EN 50581:2012

Niveau de puissance sonore mesuré: 90.2 dB (A)
Niveau de puissance sonore garanti: 93 dB (A)
Méthode d'évaluation de conformité de l'annexe VI Directive 2000/14/EC modifiée 2005/88/EC.

Organisme notifié impliqué:
Société Nationale de Certification et d'Homologation (L'organisme notifié 0499)
11, route de Luxembourg L-5230 Sandweiler

Andrew John Eyre (BEng, CEng, MIET)
Vice-Président, Réglementation & Sécurité
Winnenden, Mar. 18, 2015

Autorisé à rédiger le dossier technique:
Alexander Krug, Directeur Général
Techtronic Industries GmbH
Max-Eyth-Straße 10, 71364 Winnenden, Germany

CE

ES DECLARACIÓN EC DE CONFORMIDAD

Techtronic Industries GmbH
Max-Eyth-Straße 10, 71364 Winnenden, Germany

Por la presente declaramos que los productos

Arado eléctrico
Marca: Ryobi
Número de modelo: RCP1225
Intervalo del número de serie: 44437801000001 - 44437801999999

se encuentra en conformidad con las siguientes Directivas Europeas y normas armonizadas

2006/42/EC, 2004/108/EC, 2000/14/EC, 2005/88/EC, 2011/65/EU,
EN 60335-1:2012+A11:2014, EN 709:1997+A4:2009,
EN 55014-1:2006+A1:2009+A2:2011, EN 55014-2:1997+A1:2001+A2:2008,
EN 61000-3-2:2014, EN 61000-3-3:2013, EN 62233:2008, EN 50581:2012

Nivel de potencia acústica medido: 90.2 dB (A)
Nivel de potencia acústica garantizado: 93 dB (A)
Método de evaluación de conformidad con el anexo VI Directiva 2000/14/EC modificada por la 2005/88/EC.

El organismo notificado implicado:
Société Nationale de Certification et d'Homologation (Organismo notificado 0499)
11, route de Luxembourg L-5230 Sandweiler

Andrew John Eyre (BEng, CEng, MIET)
Vicepresidente, Director General de Normativa y Seguridad
Winnenden, Mar. 18, 2015

Autorizado para elaborar la ficha técnica:
Alexander Krug, Administrador Ejecutivo
Techtronic Industries GmbH
Max-Eyth-Straße 10, 71364 Winnenden, Germany

CE

IT DICHIARAZIONE DI CONFORMITÀ EC

Techtronic Industries GmbH
Max-Eyth-Straße 10, 71364 Winnenden, Germany

Si dichiara con la presente che il prodotto

Motocoltivatore elettrico
Marca: Ryobi
Numero modello: RCP1225
Gamma numero seriale: 44437801000001 - 44437801999999

è conforme alle seguenti Direttive Europee e ai seguenti standard armonizzati
2006/42/EC, 2004/108/EC, 2000/14/EC, 2005/88/EC, 2011/65/EU,
EN 60335-1:2012+A11:2014, EN 709:1997+A4:2009,
EN 55014-1:2006+A1:2009+A2:2011, EN 55014-2:1997+A1:2001+A2:2008,
EN 61000-3-2:2014, EN 61000-3-3:2013, EN 62233:2008, EN 50581:2012

Livello di potenza acustica misurato: 90,2 dB (A)

Livello di potenza sonora garantita: 93 dB (A)

Metodo di valutazione sulla conformità all'allegato VI Direttiva 2000/14/EC
modificata con la 2005/88/EC.

Ente notificato responsabile:

Société Nationale de Certification et d'Homologation (L'ente notificato 0499)
11, route de Luxembourg L-5230 Sandweiler

Andrew John Eyre (BEng, CEng, MIET)
Vice-Presidente, Dipartimento Regolazioni & Sicurezza
Winnenden, Mar. 18, 2015

Autorizzato per compilare il file tecnico:

Alexander Krug, Direttore Amministrativo
Techtronic Industries GmbH
Max-Eyth-Straße 10, 71364 Winnenden, Germany

PT DECLARAÇÃO EC DE CONFORMIDADE

Techtronic Industries GmbH
Max-Eyth-Straße 10, 71364 Winnenden, Germany

Pelo presente declaramos que os produtos

Alfaia elétrica
Marca: Ryobi
Número do modelo: RCP1225
Intervalo do número de série: 44437801000001 - 44437801999999

se encontra em conformidade com as seguintes Directivas Europeias e normas
harmozizadas

2006/42/EC, 2004/108/EC, 2000/14/EC, 2005/88/EC, 2011/65/EU,
EN 60335-1:2012+A11:2014, EN 709:1997+A4:2009,
EN 55014-1:2006+A1:2009+A2:2011, EN 55014-2:1997+A1:2001+A2:2008,
EN 61000-3-2:2014, EN 61000-3-3:2013, EN 62233:2008, EN 50581:2012

Nível de potência sonora medido: 90,2 dB (A)

Nível de potência sonora garantido: 93 dB (A)

Método de avaliação de conformidade para o anexo VI Directiva 2000/14/EC
alterada por 2005/88/EC.

O organismo notificado envolvido:

Société Nationale de Certification et d'Homologation (Organismo notificado 0499)
11, route de Luxembourg L-5230 Sandweiler

Andrew John Eyre (BEng, CEng, MIET)
Vice-Presidente, Regulamentação & Segurança
Winnenden, Mar. 18, 2015

Autorizado para compilar o ficheiro técnico:

Alexander Krug, Administrador Executivo
Techtronic Industries GmbH
Max-Eyth-Straße 10, 71364 Winnenden, Germany

NL EC CONFORMITEITSVERKLARING

Techtronic Industries GmbH
Max-Eyth-Straße 10, 71364 Winnenden, Germany

Hierbij verklaren wij dat het product

Elektrische cultivator
Merk: Ryobi
Modelnummer: RCP1225
Serienummerbereik: 44437801000001 - 44437801999999

is in overeenstemming met de volgende Europese Richtlijnen en geharmoniseerde
normen

2006/42/EC, 2004/108/EC, 2000/14/EC, 2005/88/EC, 2011/65/EU,
EN 60335-1:2012+A11:2014, EN 709:1997+A4:2009,
EN 55014-1:2006+A1:2009+A2:2011, EN 55014-2:1997+A1:2001+A2:2008,
EN 61000-3-2:2014, EN 61000-3-3:2013, EN 62233:2008, EN 50581:2012

Gemeten geluidsniveau: 90,2 dB (A)

Gegarandeerd geluidsniveau: 93 dB (A)

Evaluatiemethode conformiteit volgens bijlage VI Richtlijn 2000/14/EC gewijzigd
door 2005/88/EC.

Betrokken aangemelde keuringsinstantie:

Société Nationale de Certification et d'Homologation (De aangemelde instantie
0499)

11, route de Luxembourg L-5230 Sandweiler

Andrew John Eyre (BEng, CEng, MIET)
Vice-president, Regelgeving en Veiligheid
Winnenden, Mar. 18, 2015

Afgevaardigde voor het samenstellen van de technische fiche:

Alexander Krug, Directeur
Techtronic Industries GmbH
Max-Eyth-Straße 10, 71364 Winnenden, Germany

DA EC OVERENSSTEMMELSESEKSLÆRING

Techtronic Industries GmbH
Max-Eyth-Straße 10, 71364 Winnenden, Germany

Vi erklærer hermed, at produktet

Elektrisk kultivator
Brand: Ryobi
Modelnummer: RCP1225
Serienummerområde: 44437801000001 - 44437801999999

er i overensstemmelse med følgende EU-direktiver og harmoniserede standarder

2006/42/EC, 2004/108/EC, 2000/14/EC, 2005/88/EC, 2011/65/EU,
EN 60335-1:2012+A11:2014, EN 709:1997+A4:2009,
EN 55014-1:2006+A1:2009+A2:2011, EN 55014-2:1997+A1:2001+A2:2008,
EN 61000-3-2:2014, EN 61000-3-3:2013, EN 62233:2008, EN 50581:2012

Målt støjniveau: 90,2 dB (A)

Garanteret støjniveau: 93 dB (A)

Overensstemmelsesvurderingsmetode til bilag VI Direktiv 2000/14/EC ændret ved
2005/88/EC.

Den relevante godkendelsesinstans:

Société Nationale de Certification et d'Homologation (Relevant godkendelsesinstans
0499)

11, route de Luxembourg L-5230 Sandweiler

Andrew John Eyre (BEng, CEng, MIET)
Vicepræsident, Regler og Sikkerhed
Winnenden, Mar. 18, 2015

Bemyndiget til at udarbejde det tekniske kartotek:

Alexander Krug, Administrerende Direktør
Techtronic Industries GmbH
Max-Eyth-Straße 10, 71364 Winnenden, Germany

(SV) EC-KONFORMITETSDEKLARATION

Techtronic Industries GmbH
Max-Eyth-Straße 10, 71364 Winnenden, Germany

Härmed deklarerar vi att produkterna

Elektrisk kultivator
Märke: Ryobi
Modellnummer: RCP1225
Serienummerintervall: 44437801000001 - 44437801999999

är i enlighet med följande EU-direktiv och harmoniserade standarder

2006/42/EC, 2004/108/EC, 2000/14/EC, 2005/88/EC, 2011/65/EU,
EN 60335-1:2012+A11:2014, EN 709:1997+A4:2009,
EN 55014-1:2006+A1:2009+A2:2011, EN 55014-2:1997+A1:2001+A2:2008,
EN 61000-3-2:2014, EN 61000-3-3:2013, EN 62233:2008, EN 50581:2012

Uppmätt ljudeffektnivå: 90,2 dB (A)
Garanterad ljudeffektnivå: 93 dB (A)
Konformitetsbedömning gjord enligt metod i VI Direktiv 2000/14/EC samt tillägg
i 2005/88/EC.

Meddelandet gäller:
Société Nationale de Certification et d'Homologation (Myndigheten 0499)
11, route de Luxembourg L-5230 Sandweiler

Andrew John Eyre (BEng, CEng, MIET)
Vice President, Regelverk och Säkerhet
Winnenden, Mar. 18, 2015

Godkänd att sammanställa den tekniska filen:
Alexander Krug, VD
Techtronic Industries GmbH
Max-Eyth-Straße 10, 71364 Winnenden, Germany

CE

(NO) EC-SAMSVARERKLÆRING

Techtronic Industries GmbH
Max-Eyth-Straße 10, 71364 Winnenden, Germany

Herved erklærer vi at produktet

Elektrisk jordfreser
Märke: Ryobi
Modellnummer: RCP1225
Serienummerse: 44437801000001 - 44437801999999

er i samsvar med følgende europeiske direktiver og harmoniserte standarder

2006/42/EC, 2004/108/EC, 2000/14/EC, 2005/88/EC, 2011/65/EU,
EN 60335-1:2012+A11:2014, EN 709:1997+A4:2009,
EN 55014-1:2006+A1:2009+A2:2011, EN 55014-2:1997+A1:2001+A2:2008,
EN 61000-3-2:2014, EN 61000-3-3:2013, EN 62233:2008, EN 50581:2012

Målt lydteffektivnivå: 90,2 dB (A)
Garantert lydteffektivnivå: 93 dB (A)
Metode for vurdering av konformitet til Tillegg VI Direktiv 2000/14/EC endret ved
2005/88/EC.

Involvert meddelelsesorgan:
Société Nationale de Certification et d'Homologation (Teknisk kontrollorgan 0499)
11, route de Luxembourg L-5230 Sandweiler

Andrew John Eyre (BEng, CEng, MIET)
Visepresident, Forskifter og Sikkerhet
Winnenden, Mar. 18, 2015

Autorisert til å sette sammen den tekniske filen:
Alexander Krug, Administrerende Direktør
Techtronic Industries GmbH
Max-Eyth-Straße 10, 71364 Winnenden, Germany

CE

(FI) EC-SÄÄNNÖSTEN NOUDATTAMINEN

Techtronic Industries GmbH
Max-Eyth-Straße 10, 71364 Winnenden, Germany

Ilmoitamme täten, että tuotteet

Sähkökäyttöinen kultivaattori
Tuotemerkki: Ryobi
Mallinumero: RCP1225
Sarjanumeralue: 44437801000001 - 44437801999999

noudattaa seuraavia EU-direktiivejä ja harmonoituja standardeja

2006/42/EC, 2004/108/EC, 2000/14/EC, 2005/88/EC, 2011/65/EU,
EN 60335-1:2012+A11:2014, EN 709:1997+A4:2009,
EN 55014-1:2006+A1:2009+A2:2011, EN 55014-2:1997+A1:2001+A2:2008,
EN 61000-3-2:2014, EN 61000-3-3:2013, EN 62233:2008, EN 50581:2012

Mitattu äänenteho: 90,2 dB (A)
Taattu ääniteho: 93 dB (A)
Säännösten noudattaminen tarkastettu direktiivin 2000/14/EC liitteen VI mukaisesti
muunnettu direktiivillä 2005/88/EC.

Ilmoituselin:
Société Nationale de Certification et d'Homologation (Ilmoittava elin 0499)
11, route de Luxembourg L-5230 Sandweiler

Andrew John Eyre (BEng, CEng, MIET)
Varatoimitusjohtaja, Säästösten mukaisuus ja Turvallisuus
Winnenden, Mar. 18, 2015

Valtuutettu kokoamaan tekninen tiedosto:
Alexander Krug, Toimitusjohtaja
Techtronic Industries GmbH
Max-Eyth-Straße 10, 71364 Winnenden, Germany

CE

(RU) ЗАЯВЛЕНИЕ О СООТВЕТВИИ ТРЕБОВАНИЯМ ЕС

Techtronic Industries GmbH
Max-Eyth-Straße 10, 71364 Winnenden, Germany

Настоящим мы заявляем, что данный продукт

Электрокультиватор
Марка: Ryobi
Номер модели: RCP1225
Диапазон заводских номеров: 44437801000001 - 44437801999999

соответствует требованиям следующих Директив ЕС и согласованных стандартов

2006/42/EC, 2004/108/EC, 2000/14/EC, 2005/88/EC, 2011/65/EU,
EN 60335-1:2012+A11:2014, EN 709:1997+A4:2009,
EN 55014-1:2006+A1:2009+A2:2011, EN 55014-2:1997+A1:2001+A2:2008,
EN 61000-3-2:2014, EN 61000-3-3:2013, EN 62233:2008, EN 50581:2012

Измеренный уровень звуковой мощности: 90,2 dB (A)
Гарантируемый уровень звуковой мощности: 93 dB (A)
Способ оценки соответствия, приложение VI к директиве 2000/14/EC с
изменениями 2005/88/EC.

Уведомляемый участвующий орган:
Société Nationale de Certification et d'Homologation (Нотифицированная
организация 0499)
11, route de Luxembourg L-5230 Sandweiler

Andrew John Eyre (BEng, CEng, MIET)
Вице-Президент По Технике Безопасности И Стандартам
Winnenden, Mar. 18, 2015

Лицо, ответственное за подготовку технической документации:
Alexander Krug, Директор
Techtronic Industries GmbH
Max-Eyth-Straße 10, 71364 Winnenden, Germany

CE

PL DEKLARACJA ZGODNOŚCI EC

Techtronic Industries GmbH
Max-Eyth-Straße 10, 71364 Winnenden, Germany

Niniejszym deklarujemy, że produkt

Kultywator elektryczny
Marka: Ryobi
Numer modelu: RCP1225
Zakres numerów seryjnych: 44437801000001 - 44437801999999

jest zgodny z następującymi dyrektywami europejskimi i zharmonizowanymi normami

2006/42/EC, 2004/108/EC, 2000/14/EC, 2005/88/EC, 2011/65/EU,
EN 60335-1:2012+A11:2014, EN 709:1997+A4:2009,
EN 55014-1:2006+A1:2009+A2:2011, EN 55014-2:1997+A1:2001+A2:2008,
EN 61000-3-2:2014, EN 61000-3-3:2013, EN 62233:2008, EN 50581:2012

Zmierzony poziom natężenia hałasu: 90,2 dB (A)
Maksymalny poziom natężenia hałasu: 93 dB (A)
Metoda ocena zgodności zgodnie z aneksem VI Dyrektywa 2000/14/EC zmieniona przez dyrektywę 2005/88/EC.
Zaangażowany organ do powiadomienia:
Société Nationale de Certification et d'Homologation (Jednostka notyfikowana 0499)
11, route de Luxembourg L-5230 Sandweiler

Andrew John Eyre (BEng, CEng, MIET)
Wiceprezes ds. Zgodności Prawnej i Bezpieczeństwa
Winnenden, Mar. 18, 2015

Osoba upoważniona do sporządzenia dokumentu technicznego:
Alexander Krug, Dyrektor Zarządzający
Techtronic Industries GmbH
Max-Eyth-Straße 10, 71364 Winnenden, Germany

CE

HU EC MEGFELELŐSÉGI NYILATKOZAT

Techtronic Industries GmbH
Max-Eyth-Straße 10, 71364 Winnenden, Germany

Ezúton kijelentjük, hogy a termék

Elektromos talajlazító
Márka: Ryobi
Típuszám: RCP1225
Sorozatszám tartomány: 44437801000001 - 44437801999999

megfelel az alábbi Európai Irányelvek és harmonizált szabványok vonatkozó rendelkezéseinek

2006/42/EC, 2004/108/EC, 2000/14/EC, 2005/88/EC, 2011/65/EU,
EN 60335-1:2012+A11:2014, EN 709:1997+A4:2009,
EN 55014-1:2006+A1:2009+A2:2011, EN 55014-2:1997+A1:2001+A2:2008,
EN 61000-3-2:2014, EN 61000-3-3:2013, EN 62233:2008, EN 50581:2012

Mért hangteljesítményszint: 90,2 dB (A)
Garantált hangteljesítményszint: 93 dB (A)
A megfelelőségi értékelési eljárás a 2000/14/EC irányelv VI. függeléke szerint történt által módosított 2005/88/EC irányelv.
A közreműködő tanúsító testület:
Société Nationale de Certification et d'Homologation (A következő tanúsító testület 0499)
11, route de Luxembourg L-5230 Sandweiler

Andrew John Eyre (BEng, CEng, MIET)
Alelnök, Megfelelőségi és Biztonsági Területek
Winnenden, Mar. 18, 2015

A műszaki dokumentáció összeállítására felhatalmazott:
Alexander Krug, Ügyvezető Igazgató
Techtronic Industries GmbH
Max-Eyth-Straße 10, 71364 Winnenden, Germany

CE

CS PROHLÁŠENÍ O SHODĚ EC

Techtronic Industries GmbH
Max-Eyth-Straße 10, 71364 Winnenden, Germany

Tímto prohlašujeme, že výrobek

Elektrický kultivátor
Značka: Ryobi
Číslo modelu: RCP1225
Rozsah sériových čísel: 44437801000001 - 44437801999999

že tento výrobek je v souladu s evropskými a harmonizovanými standardy

2006/42/EC, 2004/108/EC, 2000/14/EC, 2005/88/EC, 2011/65/EU,
EN 60335-1:2012+A11:2014, EN 709:1997+A4:2009,
EN 55014-1:2006+A1:2009+A2:2011, EN 55014-2:1997+A1:2001+A2:2008,
EN 61000-3-2:2014, EN 61000-3-3:2013, EN 62233:2008, EN 50581:2012

Změřená hladina akustického výkonu: 90,2 dB (A)
Zaručená hladina akustického výkonu: 93 dB (A)
Soulad s metodou určování pro přílohu VI směrnice 2000/14/EC upravená 2005/88/EC.
Upozorněte patřičný orgán:
Société Nationale de Certification et d'Homologation (Úředně oznámený orgán 0499)
11, route de Luxembourg L-5230 Sandweiler

Andrew John Eyre (BEng, CEng, MIET)
Viceprezident, Normy a Bezpečnost
Winnenden, Mar. 18, 2015

Pověření ke kompilaci technického souboru:
Alexander Krug, Generální Ředitel
Techtronic Industries GmbH
Max-Eyth-Straße 10, 71364 Winnenden, Germany

CE

RO DECLARAȚIE DE CONFORMITATE EC

Techtronic Industries GmbH
Max-Eyth-Straße 10, 71364 Winnenden, Germany

Prin prezenta, declarăm că produsul

Cultivator electric
Marcă: Ryobi
Număr serie: RCP1225
Gamă număr serie: 44437801000001 - 44437801999999

este în conformitate cu următoarele Directive Europene și standarde armonizate

2006/42/EC, 2004/108/EC, 2000/14/EC, 2005/88/EC, 2011/65/EU,
EN 60335-1:2012+A11:2014, EN 709:1997+A4:2009,
EN 55014-1:2006+A1:2009+A2:2011, EN 55014-2:1997+A1:2001+A2:2008,
EN 61000-3-2:2014, EN 61000-3-3:2013, EN 62233:2008, EN 50581:2012

Nivelul măsurat al puterii acustice: 90,2 dB (A)
Nivelul garantat al puterii acustice: 93 dB (A)
Metoda de evaluare a conformității cu Anexa VI Directiva 2000/14/EC modificată prin 2005/88/EC.
Organismul de notificare implicat:
Société Nationale de Certification et d'Homologation (Organismul notificat 0499)
11, route de Luxembourg L-5230 Sandweiler

Andrew John Eyre (BEng, CEng, MIET)
Vicepreședintele, Reglementare & Siguranță
Winnenden, Mar. 18, 2015

Autorizat să completeze fișa tehnică:
Alexander Krug, Director General
Techtronic Industries GmbH
Max-Eyth-Straße 10, 71364 Winnenden, Germany

CE

LV EC ATBILSTĪBAS DEKLARĀCIJA

Techtronic Industries GmbH
Max-Eyth-Straße 10, 71364 Winnenden, Germany

Ar šo paziņojam, ka produkti

Elektriskais kultivators
Zīmols: Ryobi
Modeļa numurs: RCP1225
Sērijas numura intervāls: 44437801000001 - 44437801999999

atbilst šādām Eiropas direktīvām un saskaņotajiem standartiem
2006/42/EC, 2004/108/EC, 2000/14/EC, 2005/88/EC, 2011/65/EU,
EN 60335-1:2012+A11:2014, EN 709:1997+A4:2009,
EN 55014-1:2006+A1:2009+A2:2011, EN 55014-2:1997+A1:2001+A2:2008,
EN 61000-3-2:2014, EN 61000-3-3:2013, EN 62233:2008, EN 50581:2012

Izmērītās skaņas jaudas līmenis: 90,2 dB (A)
Garantētais skaņas intensitātes līmenis: 93 dB (A)

Atbilstības novērtēšanas metode pielikumam VI Direktīvai 2000/14/EC labota
2005/88/EC.
Iesaistītā pilnvarotā iestāde:
Société Nationale de Certification et d'Homologation (Pilnvarotā iestāde 0499)
11, route de Luxembourg L-5230 Sandweiler

Andrew John Eyre (BEng, CEng, MIET)
Viceprezidents, Darba Drošības Noteikumi
Winnenden, Mar. 18, 2015

Pilnvarots sastādīt tehnisko failu:
Alexander Krug, Izpilddirektors
Techtronic Industries GmbH
Max-Eyth-Straße 10, 71364 Winnenden, Germany



ET EC VASTAVUSDEKLARĀTSIOON

Techtronic Industries GmbH
Max-Eyth-Straße 10, 71364 Winnenden, Germany

Kinnitame, et see toode

Elektrikultivaator
Mark: Ryobi
Mudeli number: RCP1225
Seerianumbri vahemik: 44437801000001 - 44437801999999

vastab järgmistele Euroopa direktiividele ja harmoniseeritud standarditele
2006/42/EC, 2004/108/EC, 2000/14/EC, 2005/88/EC, 2011/65/EU,
EN 60335-1:2012+A11:2014, EN 709:1997+A4:2009,
EN 55014-1:2006+A1:2009+A2:2011, EN 55014-2:1997+A1:2001+A2:2008,
EN 61000-3-2:2014, EN 61000-3-3:2013, EN 62233:2008, EN 50581:2012

Mõõdetud heliivõimsuse tase: 90,2 dB (A)
Garanteeritud heliivõimsuse tase: 93 dB (A)
Vastavushindamine vastavalt lisale VI direktiivis 2000/14/EC muudetud direktiiviga
2005/88/EC.

Kontrolliga seotud teavitatud asutus:
Société Nationale de Certification et d'Homologation (tunnustatud asutus 0499)
11, route de Luxembourg L-5230 Sandweiler

Andrew John Eyre (BEng, CEng, MIET)
Asepresident Standardiseerimise Ja Ohutuse Alal
Winnenden, Mar. 18, 2015

Tehnilise faili koostamiseks volitatud isik:
Alexander Krug, Tegevdirektor
Techtronic Industries GmbH
Max-Eyth-Straße 10, 71364 Winnenden, Germany



LT EC ATITIKTIES DEKLARACIJA

Techtronic Industries GmbH
Max-Eyth-Straße 10, 71364 Winnenden, Germany

Mes pareiškiame, kad šie produktai

Elektrinis kultivatorius
Prekės ženklas: Ryobi
Modelio numeris: RCP1225
Serijsinio numerio diapazonas: 44437801000001 - 44437801999999

pagamintas laikantis toliau nurodytųjų Europos Direktivų ir darniųjų standartų
2006/42/EC, 2004/108/EC, 2000/14/EC, 2005/88/EC, 2011/65/EU,
EN 60335-1:2012+A11:2014, EN 709:1997+A4:2009,
EN 55014-1:2006+A1:2009+A2:2011, EN 55014-2:1997+A1:2001+A2:2008,
EN 61000-3-2:2014, EN 61000-3-3:2013, EN 62233:2008, EN 50581:2012

Išmatuotas akustinis lygis: 90,2 dB (A)
Garantuotas akustinis lygis: 93 dB (A)
Atitikties įvertinimo metodas pagal direktivos 2000/14/EC, VI Priedą su patalposmis
2005/88/EC.

Išraukta notifikuoti įstaiga:
Société Nationale de Certification et d'Homologation (Notifikuoti įstaiga 0499)
11, route de Luxembourg L-5230 Sandweiler

Andrew John Eyre (BEng, CEng, MIET)
Kontrolės Ir Saugos Viceprezidentas
Winnenden, Mar. 18, 2015

Ilgaiotais sudaryti techninį failą:
Alexander Krug, Generalinis Direktorius
Techtronic Industries GmbH
Max-Eyth-Straße 10, 71364 Winnenden, Germany



HR EC IZJAVA O USKLADENOSTI

Techtronic Industries GmbH
Max-Eyth-Straße 10, 71364 Winnenden, Germany

Ovime izjavljujemo da su proizvodi

Električni kultivator
Marka: Ryobi
Broj modela: RCP1225
Raspon serijskog broja: 44437801000001 - 44437801999999

usklađen sa sljedećim Europskim Direktivama i usklađenim normama
2006/42/EC, 2004/108/EC, 2000/14/EC, 2005/88/EC, 2011/65/EU,
EN 60335-1:2012+A11:2014, EN 709:1997+A4:2009,
EN 55014-1:2006+A1:2009+A2:2011, EN 55014-2:1997+A1:2001+A2:2008,
EN 61000-3-2:2014, EN 61000-3-3:2013, EN 62233:2008, EN 50581:2012

Izmjerena razina zvučne snage: 90,2 dB (A)
Jamčena razina zvučne snage: 93 dB (A)
Metoda procjene usklađenosti prema Dodatku VI Direktive 2000/14/EC navedeno
u 2005/88/EC.

Uključena oznaka broja tijela:
Société Nationale de Certification et d'Homologation (Nadležno tijelo 0499)
11, route de Luxembourg L-5230 Sandweiler

Andrew John Eyre (BEng, CEng, MIET)
Potpredsjednik za Pravila i Sigurnost
Winnenden, Mar. 18, 2015

Ovlašten da sastavi tehničku datoteku:
Alexander Krug, Direktor Upravljanja
Techtronic Industries GmbH
Max-Eyth-Straße 10, 71364 Winnenden, Germany



SL IZJAVA EC O SKLADNOSTI

Techtronic Industries GmbH
Max-Eyth-Straße 10, 71364 Winnenden, Germany

Izjavljamo, da je izdelek

Električni kultivator
Znamka: Ryobi
Številka modela: RCP1225
Razpon serijskih števil: 44437801000001 - 44437801999999

v skladu s sledečimi evropskimi direktivami in harmoniziranimi standardi

2006/42/EC, 2004/108/EC, 2000/14/EC, 2005/88/EC, 2011/65/EU,
EN 60335-1:2012+A11:2014, EN 709:1997+A4:2009,
EN 55014-1:2006+A1:2009+A2:2011, EN 55014-2:1997+A1:2001+A2:2008,
EN 61000-3-2:2014, EN 61000-3-3:2013, EN 62233:2008, EN 50581:2012

Izmerjena raven zvočne moči: 90,2 dB (A)

Zajamčena raven zvočne moči: 93 dB (A)

Način ugotavljanja skladnosti z aneksom VI direktive 2000/14/EC ki je bila spremljena z 2005/88/EC.

Priglašeni organ:

Société Nationale de Certification et d'Homologation (Priglašeni organ 0499)
11, route de Luxembourg L-5230 Sandweiler

Andrew John Eyre (BEng, CEng, MIET)
Podpredsednik, Zakonodajne In Varnostne Zadeve
Winnenden, Mar. 18, 2015

Pooblaščen oseba za sestavo tehnične dokumentacije:

Alexander Krug, Izvršni Direktor
Techtronic Industries GmbH
Max-Eyth-Straße 10, 71364 Winnenden, Germany

BG ЕС ДЕКЛАРАЦИЯ НА ЗА СЪОТВЕТСТВИЕ

Techtronic Industries GmbH
Max-Eyth-Straße 10, 71364 Winnenden, Germany

С настоящето декларираме, че продуктите

Електрически култиватор
Марка: Ryobi
Номер на модела: RCP1225
Обхват на серийни номера: 44437801000001 - 44437801999999

отговаря на следните директиви на ЕС и хармонизирани стандарти

2006/42/EC, 2004/108/EC, 2000/14/EC, 2005/88/EC, 2011/65/EU,
EN 60335-1:2012+A11:2014, EN 709:1997+A4:2009,
EN 55014-1:2006+A1:2009+A2:2011, EN 55014-2:1997+A1:2001+A2:2008,
EN 61000-3-2:2014, EN 61000-3-3:2013, EN 62233:2008, EN 50581:2012

Измерено ниво на шум: 90,2 dB (A)

Гарантирано ниво на шум 93 dB (A)

Метод за оценяване на съответствието с приложение VI Директива 2000/14/EC, изменена от 2005/88/EC.

Отговорен нотифициращ орган:

Société Nationale de Certification et d'Homologation (Нотифициран орган 0499)
11, route de Luxembourg L-5230 Sandweiler

Andrew John Eyre (BEng, CEng, MIET)
Вицепрезидент, Правни Услуги И Безопасност
Winnenden, Mar. 18, 2015

Упълномощено лице за съставяне на техническия файл:

Alexander Krug, Изпълнителен Директор
Techtronic Industries GmbH
Max-Eyth-Straße 10, 71364 Winnenden, Germany

SK PREHLÁSENIE O ZHODE EC

Techtronic Industries GmbH
Max-Eyth-Straße 10, 71364 Winnenden, Germany

Týmto vyhlasujeme, že výrobok

Električný kultivátor
Značka: Ryobi
Číslo modelu: RCP1225
Rozsah sériových čísiel: 44437801000001 - 44437801999999

je v súlade s nasledujúcimi Európskymi smernicami a harmonizovanými normami

2006/42/EC, 2004/108/EC, 2000/14/EC, 2005/88/EC, 2011/65/EU,
EN 60335-1:2012+A11:2014, EN 709:1997+A4:2009,
EN 55014-1:2006+A1:2009+A2:2011, EN 55014-2:1997+A1:2001+A2:2008,
EN 61000-3-2:2014, EN 61000-3-3:2013, EN 62233:2008, EN 50581:2012

Nameraná úroveň hluku: 90,2 dB (A)

Garantovaná úroveň hluku: 93 dB (A)

Spôsob určenia zhody podľa Dodatku VI Smernica 2000/14/EC doplnená o 2005/88/EC.

K ohlasovaným úradom patria:

Société Nationale de Certification et d'Homologation (Oboznámený orgán 0499)
11, route de Luxembourg L-5230 Sandweiler

Andrew John Eyre (BEng, CEng, MIET)
Viceprezident, Regulácia a Bezpečnosť
Winnenden, Mar. 18, 2015

Oprávnená osoba na zostavenie technického súboru:

Alexander Krug, Generálny Riaditeľ
Techtronic Industries GmbH
Max-Eyth-Straße 10, 71364 Winnenden, Germany



Techtronic Industries GmbH
Max-Eyth-Straße 10,
71364 Winnenden, Germany

20150302v1