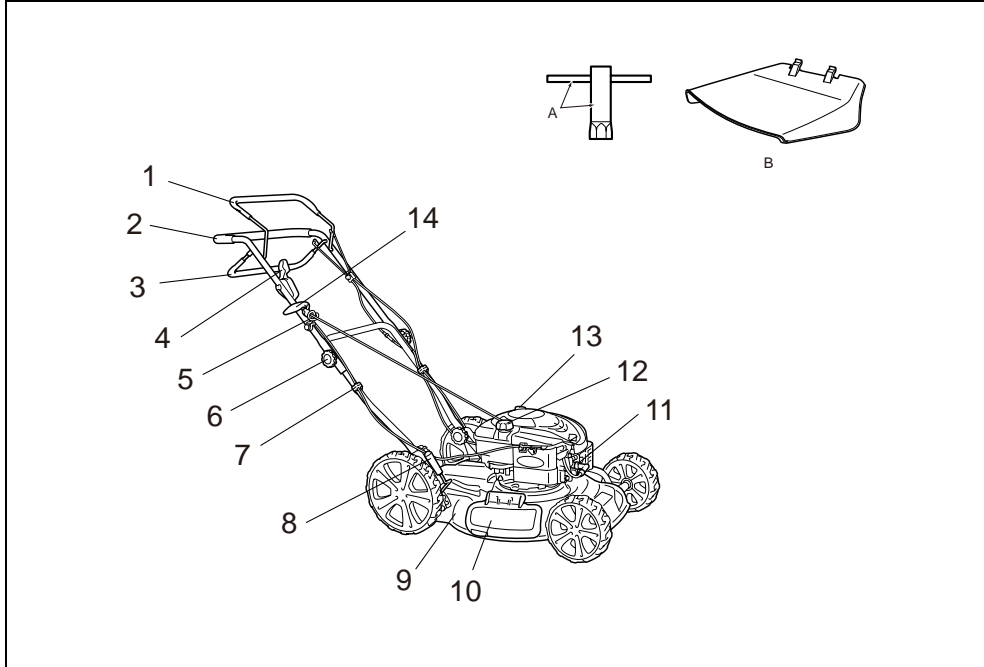




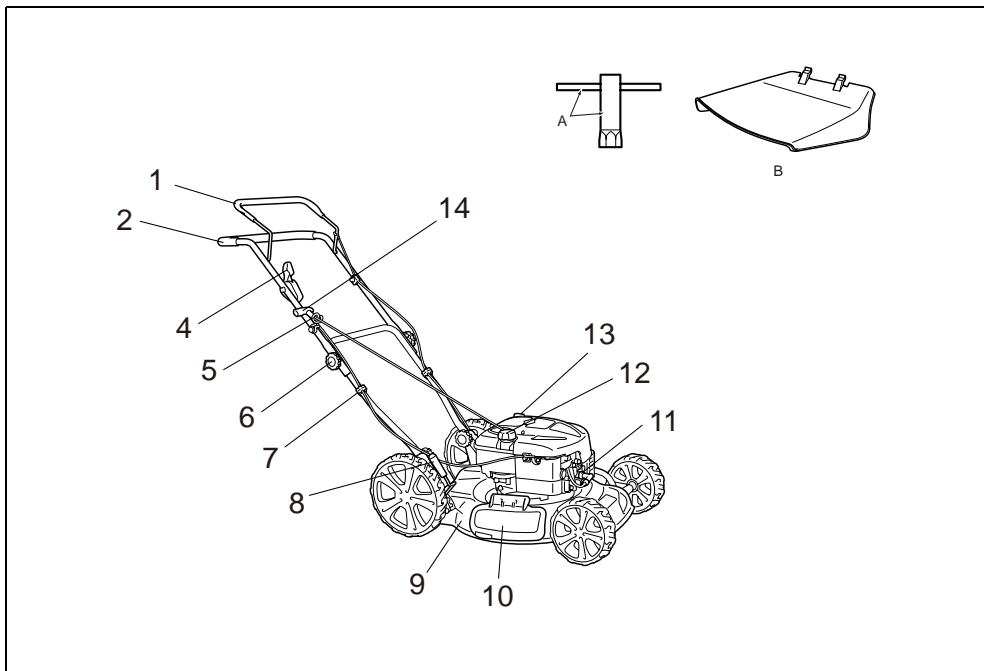
GB	Petrol Lawn Mower	Instruction manual
F	Tondeuse thermique	Manuel d'instructions
D	Benzin-Rasenmäher	Betriebsanleitung
I	Rasaerba con motore a benzina	Istruzioni per l'uso
NL	Grasmaaier met benzinemotor	Gebruiksaanwijzing
E	Cortadora de césped a gasolina	Manual de instrucciones
P	Cortador de Grama a Gasolina	Manual de instruções
DK	Benzinplæneklipper	Brugsanvisning
GR	Βενζινοκίνητο Χλοοκοπτικό	Οδηγίες χρήσης
TR	Benzinli Çim Bıçme Makinesi	Kullanım kılavuzu
S	Bensindriven gräsklippare	Bruksanvisning
N	Bensindrevet gressklipper	Bruksanvisning
FIN	Bensiinikäyttöinen ruohonleikkuri	Käyttöohje
LV	Benzīna zāles pļaujmašīna	Instrukciju rokasgrāmata
LT	Benzininė žolijaprovė	Naudojimo instrukcija
EE	Bensiinimootoriga muruniiduk	Kasutusjuhend
RUS	Бензогазонокосилка	Инструкция по эксплуатации
UA	Бензинова газонокосарка	Інструкція з експлуатації
PL	Spalinowa kosiarka do trawy	Instrukcja obsługi
RO	Mașină de tuns iarba pe bază de benzină	Manual de instrucțiuni
HU	Benzinmotoros fűnyíró	Használati utasítás
SK	Benzínová kosačka	Návod na obsluhu
CZ	Benzínová sekačka na trávu	Návod k obsluze

PLM5120

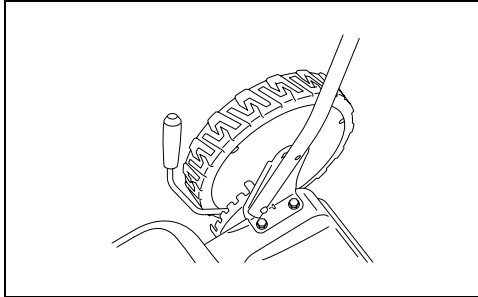
PLM5121



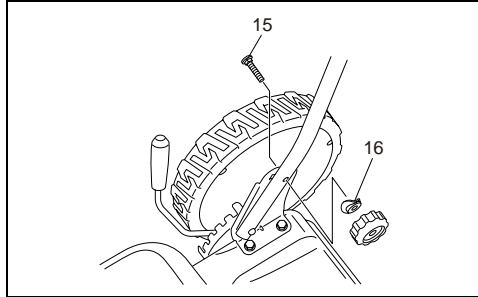
1A PLM5121



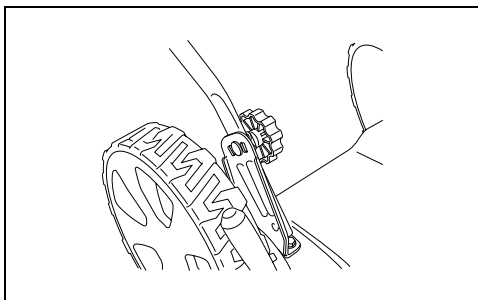
1B PLM5120



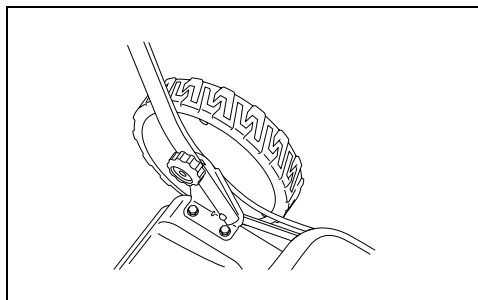
2A



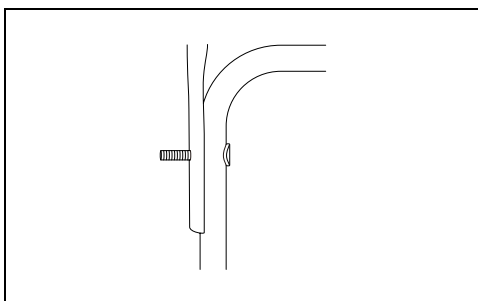
2B



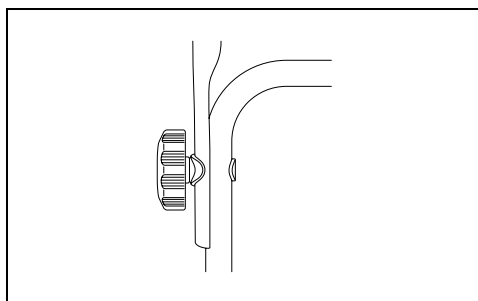
2C



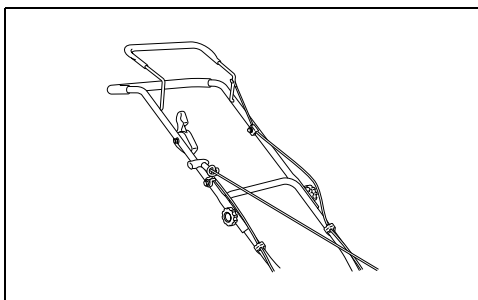
2D



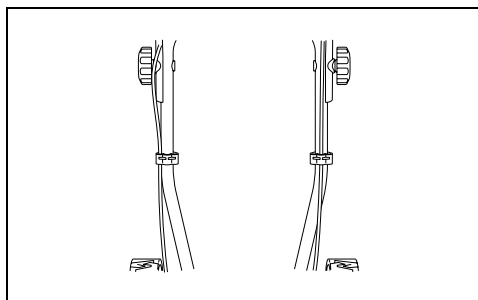
2E



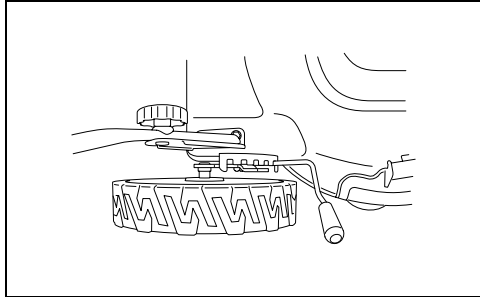
2F



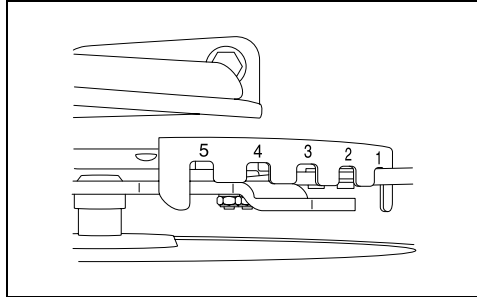
2G



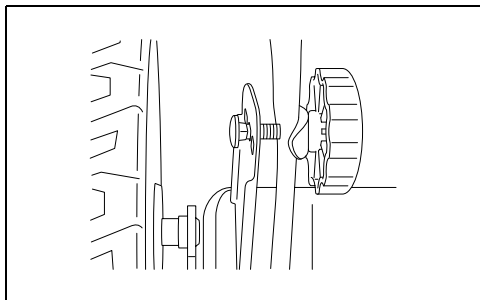
2H



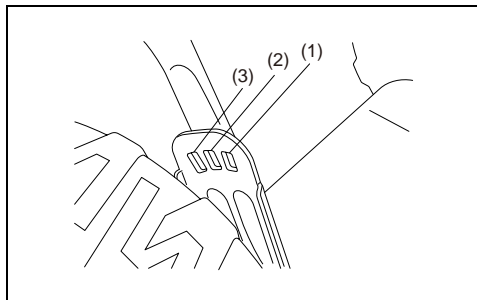
3A



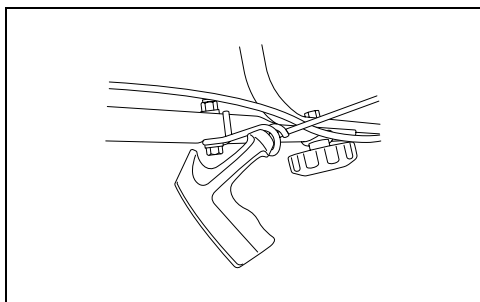
3B



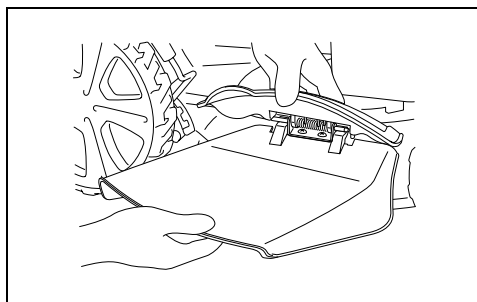
4A



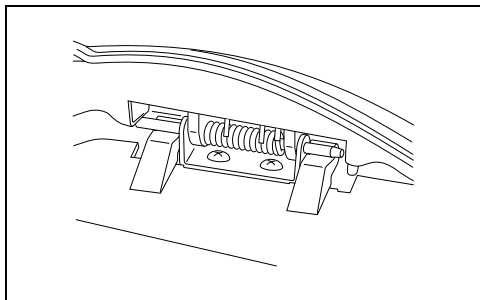
4B



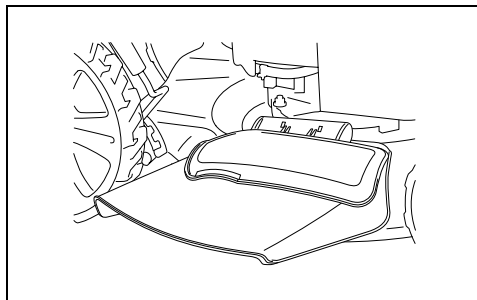
5



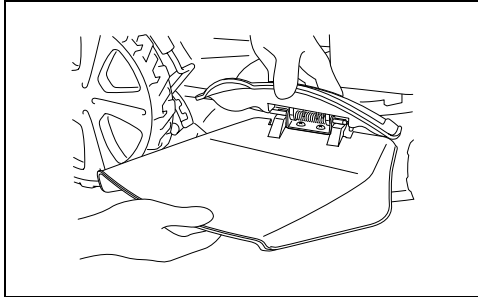
6A



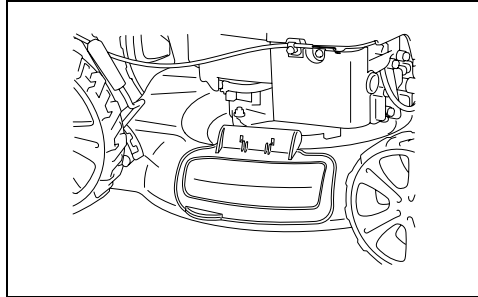
6B



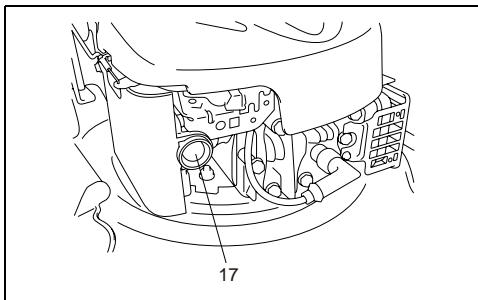
6C



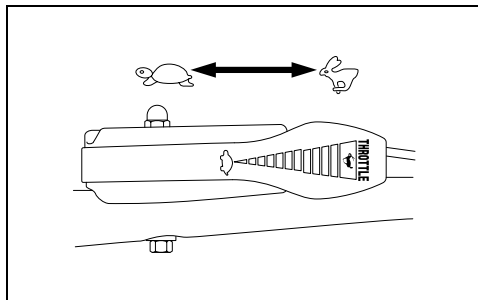
7A



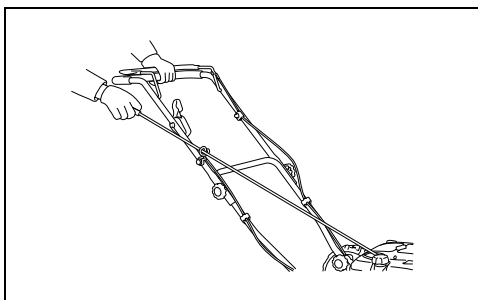
7B



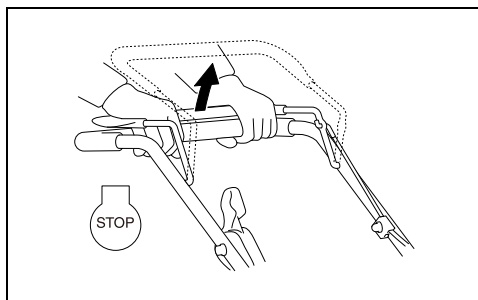
8A



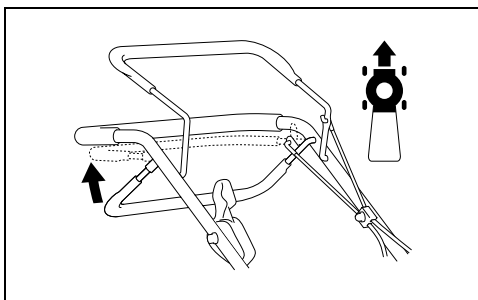
8B



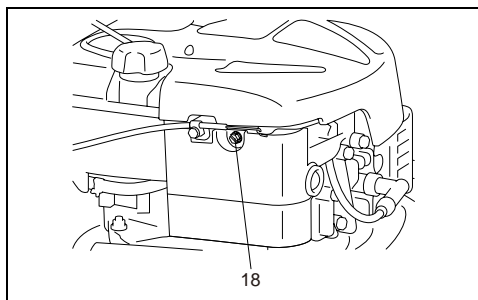
8C



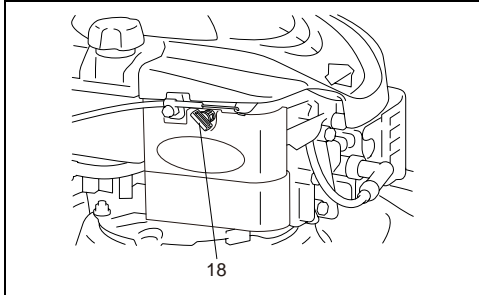
8D



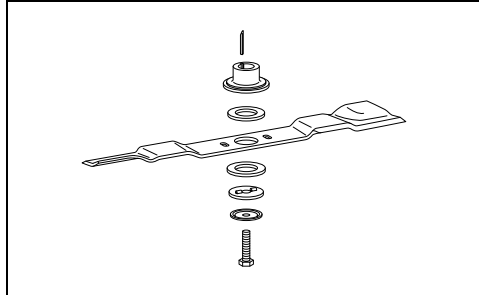
9



10A PLM5120



10B PLM5121



11

Explanation of general view

- | | | |
|------------------------------|---------------------------|--------------------|
| 1. Brake control handle | 7. Cable clamp | 13. Oil cap |
| 2. Upper handle | 8. Height adjusting lever | 14. Starter handle |
| 3. Self-drive control handle | 9. Deck | 15. Bolt |
| 4. Choke lever | 10. Sideward flap | 16. Washer |
| 5. Rope guide | 11. Spark plug | 17. Primer bulb |
| 6. Locking knob | 12. Fuel cap | 18. Screw |



WARNING:

For your own safety please read this manual before attempting to operate your new unit. Failure to follow instructions can result in serious personal injury. Spend a few moments to familiarize yourself with your mower before each use.



Caution: Engine hot.

1. SYMBOLS MARKED ON THE PRODUCT



Read operator's manual.



Keep bystanders away.



Pay more attention to the operator's hands and feet to avoid injury.



Fuel is flammable, keep fire away. Do not add fuel with running machine.



Toxic fumes; Don't operate inside house.



When mowing, please wear the glasses and ear plugs to defend the operator himself.



When repairing, please pick up the spark plug and then repair it according to the operational manual.

2. GENERAL SAFETY RULES



WARNING: When using petrol tools, basic safety precautions, including the following, should always be followed to reduce the risk of serious personal injury and/or damage to the unit. Read all these instruction before operating this product and retain these instructions for future reference.



WARNING: This machine produces an electromagnetic field during operation. This field may under some circumstances interfere with active or passive medical implants. To reduce the risk of serious or fatal injury, we recommend persons with medical implants to consult their physician and the medical implant manufacturer before operating this machine.

Training

- Read the instructions carefully. Be familiar with the controls and the proper use of the equipment.
- Never allow children or people unfamiliar with these instructions to use the lawn mower. Local regulations can restrict the age of the operator.
- Never mow while people, especially children, or pets are nearby.
- Keep in mind that the operator or user is responsible for accidents or hazards occurring to other people or their property.

Preparation

- While mowing, always wear substantial footwear and long trousers. Do not operate the equipment when barefoot or wearing open sandals.
- Thoroughly inspect the area where the equipment is to be used and remove all objects which can be thrown by the machine.
- **WARNING-** Petrol is highly flammable.
 - Store fuel in containers specifically designed for this purpose.
 - Refuel outdoors only and do not smoke while refueling.
 - Add fuel before starting the engine. Never remove the cap of the fuel tank or add petrol while the engine is running or when the engine is hot.

- If petrol is spilled, do not start the engine but move the machine away from the area of spillage and avoid creating any source of ignition until petrol vapors have dissipated.
- Replace all fuel tank and container caps securely.
- Replace faulty silencers.
- Before using, always visually inspect to see that the blades, blade bolts and cutter assembly are not worn or damaged. Replace worn or damaged blades and bolts in sets to preserve balance.

Operation

- Do not operate the engine in a confined space where dangerous carbon monoxide fumes can collect.
- Mow only in daylight or in good artificial light.
- Avoid operating the equipment in wet grass, where feasible.
- Always be sure of your footing on slopes.
- Walk, never run.
- For wheeled rotary machines, mow across the face of slopes, never up and down.
- Exercise extreme caution when changing direction on slopes.
- Do not mow excessively steep slopes.
- Use extreme caution when reversing or pulling the lawn mower towards you.
- Stop the blade(s) if the lawn mower has to be tilted for transportation when crossing surfaces other than grass, and when transporting the lawn mower to and from the area to be mowed.
- Never operate the lawn mower with defective guards, or without safety devices, for example deflectors and/or grass catchers, in place.
- Do not change the engine governor settings or overspeed the engine.
- Disengage all blades and drive clutches before starting the engine.
- Start the engine carefully according to instructions and with feet well away from the blade(s).
- Do not tilt the lawn mower when starting the engine.
- Do not start the engine when standing in front of the discharge chute.
- Do not put hands or feet near or under rotating parts. Keep clear of the discharge opening at all times.
- Never pick up or carry a lawn mower while the engine is running.
- Stop the engine and disconnect the spark plug wire, make sure that all moving parts have come to a complete stop and, where a key is fitted remove the key:
 - Before clearing blockages or unclogging chute.
 - Before checking, cleaning or working on the lawn mower.
 - After striking a foreign object. Inspect the lawn mower for damage and make repairs before restarting and operating the lawn mower.
 - If lawn mower starts to vibrate abnormally (check immediately).
- Stop the engine and disconnect the spark plug wire, make sure that all moving parts have come to a complete stop and, where a key is fitted remove the key:
 - Whenever you leave the lawn mower.
 - Before refueling.

- Reduce the throttle setting during engine shut down and, if the engine is provided with a shut-off valve, turn the fuel off at the conclusion of mowing.

Maintenance and storage

- Keep all nuts, bolts and screws tight to be sure the equipment is in safe working condition.
- Never store the equipment with petrol in the tank inside a building where fumes can reach an open flame or spark.
- Allow the engine to cool before storing in any enclosure.
- To reduce the fire hazard, keep the engine, silencer, battery compartment and petrol storage area free of grass, leaves, or excessive grease.
- Check the grass catcher frequently for wear or deterioration.
- Replace worn or damaged parts for safety.
- If the fuel tank has to be drained, this should be done outdoors.



WARNING: Do not touch rotating blade.



WARNING: Refuel in a well ventilated area with the engine stopped.

3. PARTS DESCRIPTION (Fig. 1A & 1B)

Including

- A: Spark plug wrench
- B: Discharge channel

4. TECHNICAL DATA

Model	PLM5121	PLM5120
Engine type	B&S675EX Series, ReadyStart, 126T	B&S625E Series, 122T
Self-Propelled	Yes	No
Engine Displacement	190 cm ³	190 cm ³
Blade Width	510 mm	510 mm
Rated Speed	2,800/min	2,800/min
Fuel Tank Capacity	1.0 L	1.0 L
Net Weight	31.7 kg	28 kg
Height adjustment:	25-70 mm, 5 adjustment	
L _{pA} (SPL) at the site of the user (k = 3 dB (A))	79.2 dB (A)	78.9 dB (A)
Guaranteed Sound Power level L _{WA}	98 dB (A)	98 dB (A)
Vibration (k = 1.5 m/s ²)	2.305 m/s ²	2.056 m/s ²

5. ASSEMBLY

5-1 ASSEMBLY THE FOLDING HANDLE

1. Fix the lower handlebars into the unit body with locking knobs as shown. (Fig. 2A, Fig. 2B, Fig. 2C, Fig. 2D)
2. Connect the upper handle and the lower handle with the locking knob. (Fig. 2E, Fig. 2F, Fig. 2G)
3. Attach the cable-clamp to the position shown and then attach the cable. (Fig. 2H)

6. ADJUSTMENT OF CUTTING HEIGHT

Apply outward pressure to disengage lever from rack. Move lever forward or back to adjust height. The height (the blade to the ground) can be adjusted from 25 mm (1 position: the lowest position) to 70 mm (5 position: the highest position), 5 height positions. (Fig. 3A, Fig. 3B).

Stop mower and disconnect spark plug cable before changing mower cutting height.



WARNING: Make this adjustment only when the blade is stopped.

7. ADJUSTMENT FOR AN APPROPRIATE HEIGHT (Fig. 4A, Fig. 4B)

1. Back out the locking knobs which fixed the lower handle, refer to Fig. 4A.
2. Refer to Fig. 4B move the lower handle up and down, adjust it to the proper height.
There are 3 adjusting heights to be chosen on this type of lawn mower; at position 1 height is highest., at position 3 height is the lowest.
3. Adjusting to the proper height, then fix the lower handle by the locking knobs.



WARNING: The left side and right side of lower handle must adjust to the same height.

8. STARTER HANDLE (Fig. 5)

Move the starter handle from the engine to the rope guide.

9. "2 IN 1"

9-1 RESETTING FOR SIDE DISCHARGE MOWING

1. Lift sideward flap for side discharge. (Fig. 6A)
2. Mount the discharge guide for side discharge on the support pin of the sideward flap. (Fig. 6A, Fig. 6B)
3. Lower the sideward flap- the flap lies on the discharge channel. (Fig. 6C)



Only when motor and cutter are at standstill!

9-2 MULCHING MOWER

What is mulching?

When mulching, the grass is cut in one working step, then finely chopped and returned to the grass strip as natural fertilizer.

Hints for mulch-mowing:

- Regular cut-back by max. 2 cm from 6 cm to 4 cm grass height.
- Use a sharp cutting knife
- Do not mow wet grass
- Set max. motor speed
- Only move at working pace
- Regularly clean mulching wedge, housing inner side and mowing blade



WARNING: Only with a stopped motor and standstill cutter.

1. Raise the sideward flap and remove the discharge channel. (Fig. 7A, Fig. 7B)

- The sideward flap automatically closes the discharge opening on the housing by mean of spring force.
- Regularly clean the sideward flap and discharge opening from grass rest and stuck dirt.

10. OPERATING INSTRUCTIONS

10-1 BEFORE STARTING

Service the engine with gasoline and oil as instructed in the separate engine manual packed in your mower. Read instructions carefully.



WARNING: Petrol is highly flammable.

Store fuel in containers specifically designed for this purpose.

Refuel outdoors only, before starting the engine and do not smoke while refueling or handling fuel.

Never remove the cap of the fuel tank or add petrol while the engine is running or when the engine is hot.

If petrol is spilled, do not attempt to start the engine but move the machine away from the area of spillage and avoid creating any source of ignition until petrol vapors have dissipated.

Replace all fuel tanks and container caps securely.

Before tipping the lawn mower to maintain the blade or drain oil, remove fuel from tank.



WARNING: Never fill fuel tank indoors, with engine running or until the engine has been allowed to cool for at least 15 minutes after running.

10-2 TO START ENGINE AND ENGAGE BLADE

- The unit is equipped with a rubber boot over the end of the spark plug, make certain the metal loop on the end of the spark plug wire (inside the rubber boot) is fastened securely over the metal tip on the spark plug.
- For PLM5121:

When starting cool or warm engine, turn throttle choke lever at anywhere between “☺” position to “☹” position. When operating, turn throttle choke lever to “☹” position. (Fig. 8B)
- For PLM5120:

When starting cool, press the primer bulb 3-5 times before starting the engine, turn throttle choke lever to “☺” position.

When starting warm engine and operating, turn throttle choke lever to “☹” position. (Fig. 8A, Fig. 8B)
- Standing behind the unit grasp the brake control handle and hold it against the upper handle as shown in Fig. 8C.
- Grasp the starter handle as shown Fig. 8C and pull up rapidly. Return it slowly to the rope guide bolt after engine starts.

Release the brake control handle to stop the engine and blade. (Fig. 8D)



Start the engine carefully according to instructions and with feet well away from the blade.



Do not tilt the lawn mower when starting the engine. Start the mower on a level surface, free of high grass or obstacles.



Keep hands and feet away from the rotating parts. Do not start the engine when standing in front of the discharge opening.

10-3 OPERATION PROCEDURES

During operation, tightly hold the brake handle with both hands.



NOTE: During operation, when the brake handle is released, the engine will stop and thus stopping the lawn mower from operating.

10-4 TO STOP ENGINE



CAUTION: The blade continues to rotate for a few seconds after the engine is shut off.

- Release the brake control handle to stop the engine and blade.
- Disconnect and ground the spark plug wire as instructed in the separate engine manual to prevent accidental starting while equipment is unattended.

10-5 CONNECTION FOR AUTO MOVE

For PLM5121

Grip the Self-drive control handle, the lawn mower will move forward automatically with about 3.6 km/h (Fig. 9), release the self-drive handle, the lawn mower will stop move.



CAUTION: Your mower is designed to cut normal residential grass of a height no more than 250 mm. Do not attempt to mow through unusually tall dry or wet grass (e.g., pasture) or piles of dry leaves. Debris may build up on the mower deck or contact the engine exhaust presenting a potential fire hazard.

10-6 FOR THE BEST RESULTS WHEN MOWING

Clear lawn of debris. Be sure that the lawn is clear of stones, sticks, wire or other foreign objects which could be accidentally thrown out by the mower in any direction and cause serious personal injury to the operator and others as well as damage to property and surrounding objects. Do not cut wet grass. For effective mowing do not cut wet grass because it tends to stick to the underside of the deck preventing proper mowing of the grass clippings. Cut no more than 1/3 the length of the grass. The recommended cut for mowing is 1/3 the length of the grass. Ground speed will need to be adjusted so the clippings can be dispersed evenly into the lawn. For

especially heavy cutting in thick grass it may be necessary to use one of the slowest speeds in order to get a clean well mowed cut. When mowing long grass you may have to cut the lawn in two passes, lowering the blade another 1/3 of the length for the second cut and perhaps cutting in a different pattern than was used the first time. Overlapping the cut a little on each pass will also help to clean up any stray clippings left on the lawn. The mower should always be operated at full throttle to get the best cut and allow it to do the most effective job of mowing. Clean underside of deck. Be certain to clean the underside of the cutting deck after each use to avoid a build-up of grass, which would prevent proper mulching. Mowing leaves. The mowing of leaves can also be beneficial to your lawn. When mowing leaves make sure they are dry and are not laying too thick on the lawn. Do not wait for all the leaves to be off the trees before you mow.



WARNING: If you strike a foreign object, stop the engine. Remove wire from spark plug, thoroughly inspect the mower for any damage and repair the damage before restarting and operating the mower. Extensive vibration of the mower during operation is an indication of damage. The unit should be promptly inspected and repaired.

10-7 DECK

The underside of the mower deck should be cleaned after each use to prevent a buildup of grass clippings, leaves, dirt or other matter. If this debris is allowed to accumulate, it will invite rust and corrosion, and may prevent proper mulching. The deck may be cleaned by tilting the mower and scraping clean with a suitable tool (make certain the spark plug wire is disconnected).

11. MAINTENANCE INSTRUCTIONS

SPARK PLUG

Use only original replacement spark plug. For best results, replace the spark plug every 100 hours of use.

12. LUBRICATION INSTRUCTIONS



CAUTION: DISCONNECT SPARK PLUG BEFORE SERVICING.

1. WHEELS-Lubricate the ball bearings in each wheel at least once a season with a light oil.
2. ENGINE-Follow engine manual for lubrication instructions.
3. BLADE CONTROL-Lubricate the pivot points on the blade control handle and the brake cable at least once a season with light oil. The blade control must operate freely in both directions.

13. CLEANING



CAUTION: Do not hose engine. Water can damage engine or contaminate the fuel system.

1. Wipe deck with dry cloth.
2. Hose under deck by tilting the mower so that the spark plug is up.

13-1 ENGINE AIR CLEANER



CAUTION: Do not allow dirt or dust to clog the air filter foam element. The engine air cleaner element must be serviced (cleaned) after 25 hours normal mowing. The foam element must be serviced regularly if the mower is used in dry dusty conditions. (Refer to ENGINE OWNER'S MANUAL)

To CLEAN AIR FILTER

1. Remove screw. (Fig. 10A, Fig. 10B)
2. Remove cover.
3. Wash filter element in soap water. **DO NOT USE GASOLINE!**
4. Air dry filter element.
5. Place a few drops of SAE30 oil on the foam filter and squeeze tightly to remove any excess oil.
6. Reinstall filter.



NOTE: Replace filter if frayed, torn, damaged or unable to be cleaned.

13-2 CUTTING BLADE



CAUTION: Be sure to disconnect and ground the spark plug wire before working on the cutting blade to prevent accidental engine starting. Protect hands by using heavy gloves or a rag to grasp the cutting blades. Tip mower as specified in separate engine manual. Remove the hex bolt and washer which hold the blade and blade adapter to the engine crankshaft. Remove the blade and adapter from the crankshaft.



WARNING: Periodically inspect the blade adapter for cracks, especially if you strike a foreign object. Replace when necessary.

For best results your blade should be sharp. The blade may be retargeted by removing it and either grinding or filing the cutting edge keeping as close to the original bevel as possible. It is extremely important that each cutting edge receives an equal amount of grinding to prevent an unbalanced blade. Improper blade balance will result in excessive vibration causing eventual damage to the engine and mower. Be sure to carefully balance blade after sharpening. The blade can be tested for balance by balancing it on a round shaft screwdriver. Remove metal from the heavy side until it balances evenly. Before reassembling the blade and the blade adapter to the unit, lubricate the engine crankshaft and the inner surface of the blade adapter with light oil. Install the blade adapter on the engine crankshaft. Refer to Fig. 11. Place the blade with the part number facing away from the adapter. Align the washer over the blade and insert the hex bolt. Tighten the hex bolt to the torque listed below:

13-3 BLADE MOUNTING TORQUE

Center Bolt 40Nm-50Nm, to insure safe operation of your unit. ALL nuts and bolts must be checked periodically for correct tightness.

After prolonged use, especially in sandy soil conditions, the blade will become worn and lose some of the original shape. Cutting efficiently will be reduced and the blade should be replaced. Replace with an approved factory replacement blade only. Possible damage resulting from blade unbalance condition is not the responsibility of the manufacturer.

When you change the blade, you must use the original type marked on the blade (MAKITA 263001826) (for order the blade, pls. contact your local dealer or call our company).



WARNING: Do not touch rotating blade.

13-4 ENGINE

Refer to the separate engine manual for engine maintenance instructions.

Maintain engine oil as instructed in the separate engine manual packed with your unit. Read and follow instructions carefully.

Service air cleaner as per separate engine manual under normal conditions.

Clean every few hours under extremely dusty conditions. Poor engine performance and flooding usually indicates that the air cleaner should be serviced.

To service the air cleaner, refer to the separate engine manual packed with your unit.

The spark plug should be cleaned and the gap reset once a season. Spark plug replacement is recommended at the start of each mowing season; check engine manual for correct plug type and gap specifications.

Clean the engine regularly with a cloth or brush. Keep the cooling system (blower housing area) clean to permit proper air circulation which is essential to engine performance and life. Be certain to remove all grass, dirt and combustible debris from muffler area.

14. STORAGE INSTRUCTIONS (OFF SEASON)

The following steps should be taken to prepare lawn mower for storage.

1. Empty the tank after the last mowing of the season.
 - a) Empty the petrol tank with a suction pump.



CAUTION: Do not drain the petrol in closed rooms, in close proximity of open fire, etc. Do not smoke! Petrol fumes can cause explosion or fire.

- b) Start the engine and let it run until it has used up all remaining petrol and stalls.
 - c) Remove the spark plug. Use an oilcan to fill approx. 20 ml oil into the combustion chamber. Operate the starter to evenly distribute the oil in the combustion chamber. Replace the spark plug.
2. Clean and grease the lawn mower carefully as described above under "Lubrication".
 3. Slightly grease the cutter to avoid corrosion.

4. Store the lawn mower in a dry, clean and frost-protected place, out of reach of unauthorized persons.



CAUTION: The engine must have completely cooled down before storing the lawn mower.



NOTE:

- When storing any type of power equipment in an unventilated or material storage shed, care should be taken to rust-proof the equipment. Using a light oil or silicone, coat the equipment, especially cables and all moving parts.
- Be careful not to bend or kink cables.
- If the starter rope becomes disconnected from rope guide on handle, disconnect and ground the spark plug wire, Depress the blade control handle and pull the starter rope out from engine slowly. Slip the starter rope into the rope guide bolt on handle.

Transport

Turn the engine off. Ensure not to bend or damage the cutter when pushing the lawn mower over obstacles.

15. TROUBLES SHOOTING

PROBLEM	PROBABLE CAUSE	CORRECTIVE ACTION
Engine does not start.	Throttle choke not in the correct position for the prevailing conditions.	Move throttle choke to correct position.
	Fuel tank is empty.	Fill tank with fuel: refer to ENGINE OWNER'S MANUAL.
	Air cleaner element is dirty.	Clean air cleaner element: refer to ENGINE OWNER'S MANUAL.
	Spark plug loose.	Tighten spark plug to 25-30 Nm.
	Spark plug wire loose or disconnected from plug.	Install spark plug wire on spark plug.
	Spark plug gap is incorrect.	Set gap between electrodes at 0.7 to 0.8 mm.
	Spark plug is defective.	Install new, correctly gapped plug: refer to ENGINE OWNER'S MANUAL.
	Carburetor is flooded with fuel.	Remove air cleaner element and pull starter rope continuously until carburetor clears itself and install air cleaner element.
	Faulty ignition module.	Contact the service agent.
Engine difficult to start or loses power.	Dirt, water, or stale fuel tank.	Drain fuel and clean tank. Fill tank with clean, fresh fuel.
	Vent hole in fuel tank cap is plugged.	Clean or replace fuel tank cap.
	Air cleaner element is dirty.	Clean air cleaner element.
Engine operates erratically.	Spark plug is defective.	Install new, correctly gapped plug: refer to ENGINE OWNER'S MANUAL.
	Spark plug gap is incorrect.	Set gap between electrodes at 0.7 to 0.8 mm.
	Air cleaner element is dirty.	Clean air cleaner element: refer to ENGINE OWNER'S MANUAL.
Engine idles poorly.	Air cleaner element is dirty.	Clean air cleaner element: refer to ENGINE OWNER'S MANUAL.
	Air slots in engine shroud are blocked.	Remove debris from shots.
	Cooling fins and air passages under engine blower housing are blocked.	Remove debris from cooling fins and air passages.
Engine skips at high speed.	Gap between electrodes of spark plug is too close.	Set gap between electrodes at 0.7 to 0.8 mm.
Engine overheats.	Cooling air flow is restricted.	Remove any debris from slots in shroud, blower housing, air passages.
	Incorrect spark plug.	Install RJ19LMC spark plug and cooling fins on engine.
Mower vibrates abnormally.	Cutting assembly is loose.	Tighten blade.
	Cutting assembly is unbalanced.	Balance blade.

16. WARRANTY

This product is warranted in accordance with legal regulations for a 12 months period effective from the date of purchase by the first user.

This warranty covers all material or production failures, it does not include defects from normal wear & tear parts, such as bearings, brushes, cables, plugs or accessories like drills, drill bits, saw blades etc.; damage or defects resulting from abuse, accidents or alterations; nor the costs for transport.

We reserve the right to reject any claim where the purchase cannot be verified or when it is clear that the product was not maintained properly. (Clean ventilation slots, carbon brushes serviced regularly.)

Your purchase ticket must be kept as proof for date of purchase.

Your un-dismantled tool must be returned to your dealer in an acceptably clean state, in its original blow molded case if applicable to unit, accompanied by your proof of purchase.

17. ENVIRONMENT

Should your machine need replacement after extended use, do not put it in the domestic waste but dispose of it in an environmentally safe way.

18. EC DECLARATION OF CONFORMITY

(For European countries only)

We Makita Corporation as the responsible manufacturer declare that the following Makita machine(s):

Designation of Machine: Petrol Lawn Mower

Model No./ Type: PLM5120, PLM5121

Specifications: See "4. TECHNICAL DATA"

are of series production and

Conforms to the following European Directives:

2004/108/EC, 2006/42/EC, 2000/14/EC&2005/88/EC

And are manufactured in accordance with the following standards or standardised documents:

EN ISO 14982, EN836

The technical documentation is kept by our authorized representatives in Europe who is:

Makita International Europe Ltd.

Michigan Drive, Tongwell,

Milton Keynes, Bucks MK15 8JD, England

The conformity assessment procedure required by

Directive 2000/14/EC was in Accordance with Annex V.

Notified Body:

TÜV SÜD Industrie Service GmbH

Westendstraße 199, 80686 München, Deutschland

Identification Number: 0036

Model: PLM5120

Measured Sound Power level: 92.3 dB (A)

Guaranteed Sound Power level: 98 dB (A)

Model: PLM5121

Measured Sound Power level: 92.4 dB (A)

Guaranteed Sound Power level: 98 dB (A)

30.11.2011



Tomoyasu Kato

Director

Makita Corporation

3-11-8, Sumiyoshi-cho,

Anjo, Aichi, JAPAN

- | | | |
|--------------------------------|------------------------------------|-------------------------|
| 1. Guidon de contrôle de frein | 7. Clip de maintien | 13. Bouchon d'huile |
| 2. Guidon supérieur | 8. Levier de réglage de la hauteur | 14. Guidon de démarrage |
| 3. Guidon d'autopropulsion | 9. Plateau | 15. Boulon |
| 4. Levier de l'étrangleur | 10. Volet latéral | 16. Rondelle |
| 5. Guide câble | 11. Bougie d'allumage | 17. Poire d'amorçage |
| 6. Bouton de verrouillage | 12. Capuchon du carburant | 18. Vis |

**AVERTISSEMENT :**

Pour votre sécurité, veuillez lire ce manuel avant de faire fonctionner votre nouvelle machine. Le non-respect des instructions peut provoquer des blessures graves. Prenez du temps pour vous familiariser avec la tondeuse avant chaque utilisation.

1. SYMBOLES MARQUÉS SUR LE PRODUIT

Lisez le manuel d'instructions.



Ménagez un périmètre de sécurité.



Soyez attentifs aux mains et aux pieds de l'opérateur pour éviter toute blessure.



Le carburant est inflammable, tenir éloigné des flammes. N'ajoutez pas de carburant lors du fonctionnement de la machine.



Fumées toxiques, n'utilisez pas à l'intérieur.



Lorsque vous tondez, portez des lunettes et des bouchons d'oreilles pour votre sécurité.



Lors de la réparation, relevez la bougie d'allumage, puis réparez-la conformément au manuel d'instructions.



Attention : le moteur chauffe.

2. CONSIGNES DE SÉCURITÉ GÉNÉRALES

AVERTISSEMENT : Lors de l'utilisation d'outils à essence, des précautions de sécurité de base, notamment celles qui suivent, doivent être respectées pour réduire le risque de blessures graves et/ou de dégâts matériels. Lisez toutes ces instructions avant d'utiliser le produit et conservez-les pour votre information future.



AVERTISSEMENT : Cet appareil produit un champ électromagnétique pendant son fonctionnement. Dans certains cas, ce champ peut perturber les implants médicaux actifs ou non. Pour réduire les risques de blessures graves ou mortelles, il est recommandé aux personnes porteuses d'implants médicaux de consulter leur médecin ainsi que le fabricant de l'implant médical avant d'utiliser cette machine.

Formation

- Lisez les instructions attentivement. Familiarisez-vous aux commandes et à l'utilisation correcte de l'équipement.
- Ne laissez pas des enfants ou des personnes ne connaissant pas ces instructions utiliser la tondeuse thermique. Les réglementations locales peuvent limiter l'âge de l'opérateur.
- N'utilisez jamais la tondeuse lorsque des personnes, particulièrement des enfants, ou des animaux se trouvent à proximité.
- Gardez à l'esprit que l'opérateur ou l'utilisateur est responsable des accidents ou blessures arrivant à d'autres personnes ou à leurs biens.

Préparation

- Pendant la tonte, portez toujours des chaussures résistantes et des pantalons longs. N'utilisez pas le matériel lorsque vous êtes pieds nus ou en sandales.
- Inspectez minutieusement toute la zone à tondre et éliminez tout objet qui pourrait être projeté par la machine.
- AVERTISSEMENT -** L'essence est extrêmement inflammable :

- stockez le carburant dans des conteneurs conçus particulièrement à cet effet.
- remettez du carburant à l'extérieur uniquement et ne fumez pas pendant ce temps.
- ajoutez le carburant avant de démarrer le moteur. Ne retirez jamais le capuchon du réservoir de carburant et n'ajoutez pas d'essence lorsque le moteur tourne ou qu'il chauffe.
- si de l'essence coule, n'essayez pas de démarrer le moteur mais éloignez l'appareil de la zone où l'essence a coulé et évitez de faire des étincelles jusqu'à dissipation des vapeurs d'essence.
- revissez fermement tous les capuchons du réservoir et du conteneur.
- Remplacez les pots d'échappement défectueux.
- Avant l'utilisation, procédez toujours à une vérification générale pour vous assurer que les lames, les boulons de lame et l'ensemble de coupe ne sont ni usés ni endommagés. Remplacez les lames et boulons endommagés ou usés par lots complets pour préserver le bon équilibre.

Fonctionnement

- Ne faites pas tourner le moteur dans un lieu confiné, en raison de la possibilité de dangereuses émanations de monoxyde de carbone.
- Tondez uniquement à la lumière du jour ou dans une lumière artificielle de bonne qualité.
- Évitez de tondre de l'herbe mouillée, si possible.
- Assurez vos pas dans les pentes.
- Marchez, ne courez jamais.
- Pour les machines rotatives à roues, tondez les pentes dans le sens transversal, jamais en montant ou en descendant.
- Soyez particulièrement prudent lors des changements de direction sur les terrains en pente.
- Ne coupez pas l'herbe sur des pentes excessivement raides.
- Faites particulièrement attention lorsque la tondeuse doit être tirée vers vous.
- Arrêtez la/les lame(s) si la tondeuse thermique doit être inclinée pour le transport, lorsque vous traversez des zones sans herbe et lors des déplacements entre les surfaces à tondre.
- N'utilisez jamais la tondeuse si ses protecteurs sont endommagés, ou en l'absence de dispositifs de sécurité, comme le déflecteur ou le sac de ramassage.
- Ne changez pas les réglages du gouverneur du moteur et ne forcez pas le moteur.
- Désengagez les lames et les vitesses avant de démarrer le moteur.
- Faites attention lorsque vous démarrez le moteur, conformez-vous aux instructions et assurez-vous que vos pieds sont éloignés de la/des lame(s).
- Lorsque vous démarrez le moteur, n'inclinez pas la tondeuse.
- Ne démarrez pas le moteur lorsque vous êtes devant la goulotte d'éjection.
- Ne placez pas vos mains ou vos pieds à proximité ou sous des pièces qui tournent. Restez en permanence éloigné de l'ouverture d'éjection.
- Ne soulevez ni ne transportez jamais une tondeuse dont le moteur est en fonctionnement.

- Arrêtez le moteur et débranchez le câble de la bougie d'allumage, assurez-vous que les pièces mobiles sont complètement arrêtées et, si une clé est utilisée pour le moteur, retirez-la :
 - avant toute opération de retrait d'obstruction ou de débouchage de la goulotte.
 - avant toute opération de vérification, de nettoyage ou de réparation de la tondeuse.
 - après avoir heurté un objet étranger. Inspectez la tondeuse pour vérifier si elle est endommagée. Effectuez les réparations nécessaires avant toute nouvelle utilisation de la tondeuse.
 - si la tondeuse commence à vibrer de manière anormale (vérification immédiate).
- Arrêtez le moteur et débranchez le câble de la bougie d'allumage, assurez-vous que les pièces mobiles sont complètement arrêtées et, si une clé est utilisée pour le moteur, retirez-la :
 - lorsque vous vous éloignez de la tondeuse.
 - avant toute manutention.
- Réduisez la vitesse lors de l'arrêt du moteur et, si le moteur est équipé d'une soupape d'arrêt, arrêtez l'alimentation en carburant à la fin de la tonte.

Maintenance et stockage

- Maintenez tous les écrous, boulons et vis serrés afin d'assurer des conditions d'utilisation sûres.
- Ne rangez jamais un appareil avec de l'essence dans le réservoir dans un bâtiment où des fumées peuvent s'enflammer ou provoquer des étincelles.
- Laissez le moteur refroidir avant de ranger l'appareil.
- Pour réduire le danger de combustion, débarrassez le moteur, le pot d'échappement, le compartiment de la batterie et la zone de stockage d'essence de toute impureté telle qu'herbe, feuille ou graisse.
- Vérifiez fréquemment que le sac de ramassage ne présente aucune trace d'usure ou de détérioration.
- Remplacez les pièces usées ou endommagées pour des raisons de sécurité.
- Le cas échéant, vidangez le réservoir de carburant en extérieur.



AVERTISSEMENT : Ne touchez pas la lame en mouvement.



AVERTISSEMENT : Remettez du carburant dans un lieu bien ventilé et assurez-vous que le moteur est arrêté.

3. DESCRIPTION DES PIÈCES (Fig. 1A et 1B)

Notamment

A : Clé de bougie d'allumage
B : Canal d'éjection

4. CARACTÉRISTIQUES TECHNIQUES

Modèle	PLM5121	PLM5120
Type de moteur	Série B&S675EX, ReadyStart, 126T	Série B&S625E, 122T
Autopropulsé	Oui	N°
Déplacement du moteur	190 cm ³	190 cm ³
Largeur de la lame	510 mm	510 mm
Régime nominal	2 800/min	2 800/min
Volume du réservoir de carburant	1,0 l	1,0 l
Poids net	31,7 kg	28 kg
Réglage de la hauteur :	25-70 mm, 5 réglages	
L _{pA} (SPL) sur le site de l'utilisateur (k = 3 dB (A))	79,2 dB (A)	78,9 dB (A)
Niveau de puissance sonore garantie L _{WA}	98 dB (A)	98 dB (A)
Vibration (k = 1,5 m/s ²)	2,305 m/s ²	2,056 m/s ²

5. ASSEMBLAGE

5-1 ASSEMBLAGE DU GUIDON REPLIABLE

1. Fixez le bas du guidon au châssis avec les boutons de verrouillage, tel qu'illustré. (Fig. 2A, Fig. 2B, Fig. 2C, Fig. 2D)
2. Fixez le guidon supérieur et le guidon inférieur avec le bouton de verrouillage. (Fig. 2E, Fig. 2F, Fig. 2G)
3. Placez le clip de maintien à la position indiquée, puis fixez le câble. (Fig. 2H)

6. RÉGLAGE DE LA HAUTEUR DE COUPE

Pour sortir le levier du rail, appliquez une pression vers l'extérieur. Pour régler la hauteur, avancez le levier vers l'avant ou vers l'arrière.

La hauteur (entre la lame et le sol) peut être réglée entre 25 mm (position 1 : la plus basse) et 70 mm (position 5 : la plus haute), 5 positions de hauteur. (Fig. 3A, Fig. 3B). Arrêtez la tondeuse et débranchez le câble de la bougie d'allumage avant de modifier la hauteur de coupe de la tondeuse.



AVERTISSEMENT : Ne procédez à ce réglage que lorsque la lame est arrêtée.

7. RÉGLAGE POUR UNE HAUTEUR CORRECTE (Fig. 4A, Fig. 4B)

1. Faites ressortir les boutons de verrouillage retenant le guidon inférieur, reportez-vous à la Fig. 4A.
2. Reportez-vous à la Fig. 4B, déplacez le guidon inférieur vers le haut et vers le bas, puis réglez-le selon la bonne hauteur.

Il est possible de choisir entre 3 réglages de hauteur sur ce type de tondeuse thermique ; la position 1 est la plus haute, la position 3 est la plus basse.

3. Procédez au réglage selon la bonne hauteur, puis fixez le guidon inférieur à l'aide des boutons de verrouillage.



AVERTISSEMENT : Vous devez régler le côté gauche et le côté droit du guidon inférieur selon la même hauteur.

8. GUIDON DE DÉMARRAGE (Fig. 5)

Déplacez le guidon de démarrage du moteur vers le guide câble.

9. « 2 EN 1 »

9-1 RÉINITIALISATION POUR UNE TONTE AVEC DÉCHARGE LATÉRALE

1. Soulevez le volet latéral pour l'éjection latérale. (Fig. 6A)
2. Installez le guide d'éjection pour l'éjection latérale sur la broche de soutien du volet latéral. (Fig. 6A, Fig. 6B).
3. Baisser le volet latéral - le volet repose sur le canal d'éjection. (Fig. 6C)



Uniquement lorsque le moteur et la lame sont à l'arrêt !

9-2 TONDEUSE HACHEUSE

Qu'est-ce que le hachage ?

Lors du hachage, l'herbe est tout d'abord coupée, puis finement coupée et retournée avant d'être remise par terre pour faire office d'engrais naturel.

Conseils relatifs à ce processus :

- Une coupe régulière de 2 cm au maximum entraîne une hauteur de l'herbe de 4 cm à 6 cm.
- Utilisez une lame aiguisée.
- Ne tondez pas d'herbe mouillée.
- Réglez le moteur sur la vitesse maximale.

- Ne curez pas.
- Nettoyez régulièrement la hache, l'intérieur du châssis et la lame de tonte.

 **AVERTISSEMENT** : Ne faites cela qu'avec un moteur et une lame à l'arrêt.

1. Relevez le volet latéral et retirez le canal d'éjection. (Fig. 7A, Fig. 7B).
 - Le volet latéral ferme automatiquement l'ouverture d'éjection sur la carrosserie à l'aide d'un ressort.
 - Nettoyez régulièrement le volet latéral et l'ouverture d'éjection afin de retirer les résidus d'herbe et la saleté collée.

10. INSTRUCTIONS D'UTILISATION

10-1 AVANT LE DÉMARRAGE

Refaites les niveaux d'huile et d'essence du moteur conformément aux instructions du manuel du moteur fourni avec la tondeuse. Lisez attentivement les instructions.

 **AVERTISSEMENT** : L'essence est extrêmement inflammable.

Stockez le carburant dans des conteneurs conçus particulièrement à cet effet.


Ne mettez de l'essence qu'en extérieur, avant de démarrer le moteur et ne fumez pas lorsque vous manipulez de l'essence.

Ne retirez jamais le capuchon du réservoir de carburant et n'ajoutez pas d'essence lorsque le moteur tourne ou qu'il chauffe.



Si de l'essence coule, n'essayez pas de démarrer le moteur mais éloignez l'appareil de la zone où l'essence a coulé et évitez de faire des étincelles jusqu'à dissipation des vapeurs d'essence.


Revissez fermement tous les capuchons du réservoir et du conteneur.

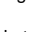
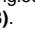
Avant de basculer la tondeuse pour assurer l'entretien de la lame ou effectuer la vidange, siphonnez le carburant.


 **AVERTISSEMENT** : Ne remplissez jamais le réservoir en intérieur, lorsque le moteur fonctionne ou avant qu'il n'ait eu le temps de refroidir pendant au moins 15 minutes.


10-2 DÉMARRAGE DU MOTEUR ET ENGAGEMENT DE LA LAME


1. L'extrémité de la bougie d'allumage est recouverte d'une protection en caoutchouc, assurez-vous que la boucle métallique située au bout du câble de la bougie (dans la protection) est fermement fixée sur l'embout métallique de la bougie d'allumage.
- 2.1. Pour le modèle PLM5121 : Lorsque vous démarrez le moteur à froid ou à chaud, tournez le levier de l'étrangleur des gaz n'importe où entre la position «  » et la position «  ». Lorsque le moteur fonctionne, tournez le

levier de l'étrangleur des gaz sur la position «  ». (Fig. 8B)

- 2.2. Pour le modèle PLM5120 : Lorsque vous démarrez à froid, appuyez entre 3 et 5 fois sur la poire d'amorçage avant de démarrer le moteur, tournez le levier de l'étrangleur des gaz sur la position «  ». Lorsque vous démarrez le moteur à chaud et qu'il fonctionne déjà, tournez le levier de l'étrangleur des gaz en position «  ». (Fig. 8A, Fig. 8B).
3. Debout derrière l'appareil, attrapez le guidon de contrôle de frein et maintenez-le contre le guidon supérieur, comme illustré dans la Fig. 8C.
4. Attrapez le guidon de démarrage comme illustré à la Fig. 8C et tirez brièvement dessus. Ramenez-le doucement vers le boulon du guide câble après démarrage du moteur. Pour arrêter le moteur et la lame, relâchez le guidon de contrôle de frein. (Fig. 8D)


 Démarrez le moteur attentivement, conformément aux instructions et en vous assurant que vos pieds sont éloignés de la/des lame(s).

 Lorsque vous démarrez le moteur, n'inclinez pas la tondeuse. Démarrez la tondeuse sur une surface plane, sans herbes hautes ni obstacles.


 Gardez vos mains et vos pieds éloignés des pièces pivotantes. Ne démarrez pas le moteur lorsque vous êtes devant la goulotte d'éjection.

10-3 PROCÉDURES DE FONCTIONNEMENT

Lors du fonctionnement, tenez fermement et à deux mains le guidon de frein.

 **REMARQUE** : En fonctionnement, lorsque vous relâchez le guidon de frein, le moteur s'arrête et par conséquent la tondeuse thermique également.

10-4 ARRÊT DU MOTEUR

 **ATTENTION** : Après l'arrêt du moteur, la lame continue à tourner pendant quelques secondes.

1. Pour arrêter le moteur et la lame, relâchez le guidon de contrôle de frein.
2. Débranchez le câble de la bougie d'allumage et placez-le sur le sol conformément aux instructions du manuel du moteur, pour éviter un démarrage accidentel.

10-5 RACCORDEMENT POUR LE DÉPLACEMENT AUTOMATIQUE

Pour le modèle PLM5121

Appuyez sur le guidon d'autopropulsion pour faire avancer la tondeuse thermique automatiquement d'environ 3,6 km/h (Fig. 9). Relâchez le guidon

d'adapté l'appareil pour que la tondeuse thermique cesse d'avancer.

adapté (assurez-vous que le câble de la bougie d'allumage est débranché).



ATTENTION : Votre tondeuse est prévue pour couper de la pelouse normale dont la hauteur ne dépasse pas 250 mm.

Ne tentez pas de tondre de l'herbe haute et sèche ou mouillée (par exemple, un pré) ou des amas de feuilles sèches. Des débris peuvent s'accumuler sur le plateau ou entrer en contact avec l'échappement du moteur, présentant un risque d'incendie potentiel.

10-6 POUR DES RÉSULTATS OPTIMAUX LORS DE LA TONTE

Débarrassez le gazon de tout débris. Vérifiez que le gazon est exempt de cailloux, bâtons, câbles et autres corps étrangers qui risqueraient d'être projetés et de provoquer des blessures graves ou d'endommager les objets avoisinants. Ne tondez pas d'herbe mouillée. Pour une tonte efficace, ne coupez pas d'herbe mouillée car elle a tendance à coller au dessous du plateau, ce qui nuit à l'efficacité de la tonte. Ne coupez pas plus d'1/3 de la hauteur de l'herbe. La coupe conseillée pour la tonte est d'1/3 de la hauteur de l'herbe. Vous devrez régler la vitesse par rapport au sol pour que les herbes coupées soient dispersées de façon homogène. Pour une coupe intensive, par exemple avec de l'herbe épaisse, il peut être nécessaire d'utiliser l'une des vitesses les plus lentes pour obtenir un résultat propre. Lorsque vous tondez de l'herbe haute, il est possible que vous deviez procéder en deux fois, en abaissant la lame d'1/3 de hauteur supplémentaire pour votre deuxième passage et peut-être en ne suivant pas le même trajet que pour la première coupe. Si deux coupes successives se chevauchent, les touffes restantes sont éliminées. Vous devez toujours utiliser la tondeuse à pleins gaz pour obtenir un résultat optimal et des plus efficaces. Nettoyez le dessous du plateau. Assurez-vous de nettoyer le dessous du plateau après chaque utilisation pour éviter que l'herbe ne s'y accumule, se qui nuirait au hachage. Tonte de feuilles. Pour un beau terrain, vous pouvez tondre les feuilles. Assurez-vous que les feuilles sont sèches et qu'elles ne sont pas en couche trop épaisse. N'attendez pas que toutes les feuilles soient tombées des arbres avant de tondre.



AVERTISSEMENT : Si vous heurtez un objet, arrêtez le moteur. Retirez le câble de la bougie d'allumage, inspectez soigneusement la tondeuse et réparez les éventuels dégâts avant de poursuivre l'utilisation. Une vibration excessive de la tondeuse est un signe de dégât. L'appareil doit être rapidement inspecté et réparé.

10-7 PLATEAU

Le dessous du plateau doit être nettoyé après chaque utilisation pour éviter l'accumulation d'herbe, de feuilles, de saleté ou d'autre matière. Si des débris s'accumulent, l'appareil risque de se corroder et de rouiller, ce qui peut nuire à l'efficacité du hachage. Pour nettoyer le plateau, inclinez la tondeuse et grattez le plateau avec un outil

11. INSTRUCTIONS DE MAINTENANCE

BOUGIE D'ALLUMAGE

N'utilisez que des bougies de remplacement d'origine. Pour des résultats optimaux, remplacez la bougie d'allumage toutes les 100 heures d'utilisation.

12. INSTRUCTIONS DE LUBRIFICATION



ATTENTION : DÉBRANCHEZ LA BOUGIE D'ALLUMAGE AVANT TOUTE OPÉRATION DE MAINTENANCE.

1. ROUES-Lubrifiez les roulements à billes de chaque roue au moins une fois par an avec une huile à faible viscosité.
2. MOTEUR-Pour des instructions de lubrification, conformez-vous au manuel du moteur.
3. GUIDON D'ARRÊT-Lubrifiez les pivots du guidon d'arrêt au moins une fois par an avec une huile à faible viscosité. Le guidon doit pouvoir se déplacer dans tous les sens.

13. NETTOYAGE



ATTENTION : N'arrosez pas le moteur. L'eau risque d'endommager le moteur ou de contaminer le système de carburant.

1. Nettoyez le plateau avec un chiffon sec.
2. Aspergez le dessous du plateau en saoulant la tondeuse de sorte que la bougie d'allumage soit orientée vers le haut.

13-1 FILTRE À AIR



ATTENTION : Ne laissez pas de la saleté ou des poussières obstruer la mousse du filtre à air. La maintenance (nettoyage) du filtre à air doit être effectuée après 25 heures de tonte normale. L'élément en mousse doit être entretenu régulièrement si la tondeuse est utilisée dans des conditions de poussière extrême (consultez le MANUEL DE L'UTILISATEUR DU MOTEUR).

NETTOYAGE DU FILTRE À AIR

1. Retirez la vis. (Fig. 10A, Fig. 10B).
2. Retirez le capot.
3. Nettoyez le filtre à l'eau savonneuse. **N'UTILISEZ PAS D'ESSENCE !**
4. Séchez le filtre à l'air.
5. Placez quelques gouttes d'huile SAE30 dans le filtre à mousse et secouez-le légèrement pour retirer l'excès d'huile.
6. Remontez le filtre.



REMARQUE : Remplacez le filtre s'il est ébréché, endommagé ou que vous ne pouvez pas le nettoyer.

13-2 LAME



ATTENTION : Assurez-vous de débrancher le câble de la bougie d'allumage et de le poser sur le sol avant d'effectuer des opérations de maintenance sur la lame et évitez tout démarrage accidentel du moteur. Protégez vos mains avec des gants épais ou attrapez les lames avec un chiffon. Inclinez la tondeuse comme spécifié dans le manuel du moteur. Retirez le boulon hexagonal et la rondelle qui fixent la lame et l'adaptateur de lame au vilebrequin. Retirez la lame et l'adaptateur du vilebrequin.



AVERTISSEMENT : Inspectez régulièrement l'adaptateur de lame pour vérifier l'absence de fissures, particulièrement si vous heurtez un objet étranger. Le cas échéant, remplacez-le.

Pour des résultats optimaux, assurez-vous que la lame est aiguisée. La lame peut être affûtée ; il suffit de la retirer et de l'aiguiser en essayant de conserver le biseau d'origine. Pour éviter un déséquilibre, il est primordial que toutes les extrémités de coupe soient limées de façon équivalente. Un mauvais équilibre des lames peut provoquer des vibrations excessives, ce qui risque d'endommager le moteur et la tondeuse. Assurez-vous de bien équilibrer les lames après l'affûtage. Pour tester l'équilibre de la lame, placez-la sur un tournevis courbe. Retirez l'excédent du métal du côté lourd jusqu'à obtention de l'équilibrage.

Avant de remonter la lame et l'adaptateur de lame sur l'appareil, lubrifiez le vilebrequin du moteur et la surface intérieure de l'adaptateur de lame avec une huile à faible viscosité. Installez l'adaptateur de lame sur le vilebrequin du moteur. Consultez la **Fig. 11**. Placez la lame avec son numéro de pièce orientée à l'opposé de l'adaptateur. Alignez la rondelle sur la lame et insérez le boulon hexagonal. Serrez le boulon hexagonal au couple répertorié ci-dessous :

13-3 COUPLE DE MONTAGE DE LA LAME

Boulon central : 40 Nm-50 Nm, pour assurer le bon fonctionnement de votre unité. TOUS les écrous et boulons doivent être inspectés régulièrement pour vérifier qu'ils sont bien serrés.

Après une utilisation prolongée, particulièrement sur des sols sableux, la lame peut s'user et perdre sa forme d'origine. L'efficacité de coupe diminue et la lame doit être remplacée. Ne remplacez la lame qu'avec une lame approuvée. Le fabricant décline toute responsabilité relative aux dégâts résultant d'un mauvais équilibrage de la lame.

Lorsque vous changez la lame, vous devez utiliser une lame du même type que celui d'origine (MAKITA 263001826) (pour commander cette lame, contactez votre fournisseur local ou appelez-nous).



AVERTISSEMENT : Ne touchez pas la lame en mouvement.

13-4 MOTEUR

Consultez le manuel du moteur pour connaître les instructions de maintenance du moteur. Conformez-vous au manuel du moteur fourni avec l'appareil pour connaître les opérations de maintenance de l'huile du moteur. Lisez soigneusement les instructions et suivez-les.

Réparez le filtre à air conformément aux préconisations du manuel du moteur.

Nettoyez-le régulièrement si vous utilisez l'appareil dans des conditions particulièrement poussiéreuses. De mauvaises performances et un noyage du moteur indiquent en général que le filtre à air doit être réparé.

Pour ce faire, consultez le manuel du moteur fourni avec l'appareil.

La bougie d'allumage doit être nettoyée et l'espace doit être vérifié une fois par an. Le remplacement de la bougie d'allumage est conseillé au début de chaque saison de tonte ; consultez le manuel du moteur pour connaître les bonnes spécifications d'espace et de type de bougie. Nettoyez régulièrement le moteur avec un chiffon ou une brosse. Gardez le système de refroidissement (ventilateur) propre pour permettre une bonne circulation de l'air, ce qui est essentiel aux performances et à la durée de vie du moteur. Assurez-vous de retirer toutes les herbes, la saleté et les débris de combustible du pot d'échappement.

14. INSTRUCTIONS DE STOCKAGE (HORS SAISON)

Les étapes suivantes doivent être respectées pour préparer la tondeuse au stockage.

1. Videz le réservoir après la dernière tonte de la saison.
 - a) Videz le réservoir d'essence à l'aide d'une pompe aspirante.



ATTENTION : Ne purgez pas l'essence dans une pièce fermée, à proximité immédiate d'une flamme, etc. Ne fumez pas ! Les vapeurs d'essence peuvent provoquer une explosion ou un incendie.

- b) Démarrez le moteur et laissez-le tourner jusqu'à ce qu'il ait brûlé toute l'essence et qu'il cale.
 - c) Retirez la bougie. À l'aide d'une burette d'huile, versez environ 20 ml d'huile dans la chambre de combustion. Actionnez le démarreur pour répartir uniformément l'huile dans la chambre de combustion. Remplacez la bougie.
2. Nettoyez et graissez soigneusement la tondeuse, comme décrit ci-dessus dans la section « Lubrification ».
 3. Pour éviter la corrosion, graissez légèrement la lame.
 4. Rangez la tondeuse dans un lieu sec, propre, à l'abri du gel et hors de portée des personnes non autorisées.



ATTENTION : Avant de ranger la tondeuse, veuillez à ce que le moteur ait complètement refroidi.



REMARQUE :

- Lorsque vous stockez n'importe quel type d'équipement énergétique dans un endroit de stockage non ventilé, vous devez prendre des précautions pour protéger l'équipement contre la rouille. Recouvrez l'équipement, et particulièrement ses câbles et pièces mobiles, d'une couche d'huile à faible viscosité ou de silicone.
- Faites attention à ne pas plier ou pincer les câbles.
- Si le câble du démarreur se débranche du guide câble du guidon, débranchez le câble de la bougie d'allumage et posez-le sur le sol, appuyez sur le guidon d'arrêt et sortez doucement le câble du démarreur du moteur. Faites glisser le câble du démarreur dans le boulon du guide câble du guidon.

Transport

Coupez le moteur. Veuillez à ne pas plier ni endommager la lame lorsque vous poussez la tondeuse sur des obstacles.

15. DÉPANNAGE

PROBLÈME	CAUSE POSSIBLE	ACTION CORRECTRICE
Le moteur ne démarre pas.	La cale du papillon des gaz n'est pas dans la position adaptée aux conditions.	Mettez-la dans la bonne position.
	Le réservoir de carburant est vide.	Remplissez-le : consultez le MANUEL DE L'UTILISATEUR DU MOTEUR.
	L'élément du filtre à air est encrassé.	Nettoyez-le : consultez le MANUEL DE L'UTILISATEUR DU MOTEUR.
	La bougie d'allumage est desserrée.	Resserrez-la à 25 - 30 Nm.
	Le câble de la bougie d'allumage est desserré ou débranché.	Remontez-le sur la bougie d'allumage.
	L'espace de la bougie d'allumage est incorrect.	Réglez l'espace entre les électrodes afin qu'il soit compris entre 0,7 et 0,8 mm.
	La bougie d'allumage est défectueuse.	Installez une nouvelle bougie, en respectant l'espace préconisé : consultez le MANUEL DE L'UTILISATEUR DU MOTEUR.
	Le carburateur est noyé.	Retirez l'élément du filtre à air et tirez plusieurs fois sur le câble du démarreur jusqu'à ce que le carburateur se vide, puis remontez l'élément du filtre à air.
	Le module d'allumage est défectueux.	Contactez l'agent d'entretien.
Le moteur a du mal à démarrer ou perd de la puissance.	Le réservoir de carburant est encrassé, éventé ou de l'eau s'y trouve.	Purgez le carburant et nettoyez le réservoir. Refaites le niveau avec du carburant propre.
	L'échappement du capuchon du réservoir de carburant est branché.	Nettoyez le capuchon du réservoir de carburant ou remplacez-le.
	L'élément du filtre à air est encrassé.	Nettoyez-le.
Le moteur fonctionne mal.	La bougie d'allumage est défectueuse.	Installez une nouvelle bougie, en respectant l'espace préconisé : consultez le MANUEL DE L'UTILISATEUR DU MOTEUR.
	L'espace de la bougie d'allumage est incorrect.	Réglez l'espace entre les électrodes afin qu'il soit compris entre 0,7 et 0,8 mm.
	L'élément du filtre à air est encrassé.	Nettoyez-le : consultez le MANUEL DE L'UTILISATEUR DU MOTEUR.
Mauvais ralenti du moteur.	L'élément du filtre à air est encrassé.	Nettoyez-le : consultez le MANUEL DE L'UTILISATEUR DU MOTEUR.
	Les prises d'air du flasque du moteur sont obstruées.	Débarrassez-les des débris.
	Les ailettes de refroidissement et passages d'air situés sous le ventilateur du moteur sont bloqués.	Débarrassez-les des éléments qui les bloquent.
À grande vitesse, le moteur tressaute.	L'espace entre les électrodes des bougies est trop étroit.	Réglez l'espace entre les électrodes afin qu'il soit compris entre 0,7 et 0,8 mm.
Le moteur surchauffe.	Le flux d'air de refroidissement est restreint.	Retirez les éventuels débris se trouvant dans les fentes du flasque, du boîtier du ventilateur et des passages d'air.
	Mauvaise bougie d'allumage.	Montez une bougie d'allumage et des ailettes de refroidissement RJ19LMC sur le moteur.
La tondeuse tremble anormalement.	L'ensemble de coupe est lâche.	Resserrez la lame.
	L'ensemble de coupe est déséquilibré.	Équilibrez la lame.

16. GARANTIE

Ce produit est garanti conformément aux réglementations locales pour une période de 12 mois à compter de la date d'achat par le premier utilisateur.

Cette garantie couvre tous les défauts matériels ou de construction, elle n'inclut pas les défauts liés à l'usure normale des pièces, comme les roulements, les brosses, les câbles, les bougies ou les accessoires de type forets, trépan, lames de scie, etc. ; tout dommage ou défaut dû à une mauvaise utilisation, à des accidents ou à des altérations ni les coûts de transport.

Nous nous réservons le droit de refuser toute réclamation si l'achat ne peut pas être vérifié ou quand qu'il est clair que le produit n'a pas été correctement entretenu. (Prises d'air propres, balais de carbone entretenus régulièrement.)

Vous devez conserver votre ticket de caisse, qui fait office de preuve d'achat.

Vous devez retourner votre outil non démonté à votre revendeur dans un état de propreté acceptable, dans son étui moulé-soufflé d'origine le cas échéant, accompagné de votre preuve d'achat.

17. ENVIRONNEMENT

Si votre machine doit être remplacée après une utilisation prolongée, ne la jetez pas avec les ordures ménagères mais mettez-la au rebut dans le respect de l'environnement.

18. DÉCLARATION DE CONFORMITÉ CE

(Pour les pays d'Europe uniquement)

Nous, Makita Corporation, en tant que fabricant responsable, déclarons que la ou les machines Makita suivantes :

Nom de la machine : Tondeuse thermique

N° de modèle/Type : PLM5120, PLM5121

Spécifications : Voir la section « 4. CARACTÉRISTIQUES TECHNIQUES »

sont fabriquées en série et

sont conformes aux directives européennes

suivantes :

2004/108/CE, 2006/42/CE, 2000/14/CE&2005/88/CE

et sont produites conformément aux normes ou documents de normalisation suivants :

EN ISO 14982, EN836

La documentation technique est disponible auprès de nos représentants en Europe qui sont :

Makita International Europe Ltd.

Michigan Drive, Tongwell,

Milton Keynes, Bucks MK15 8JD, Angleterre

La procédure d'évaluation de la conformité requise par la directive 2000/14/CE est conforme à l'annexe V.

Organisme notifié :

TÜV SÜD Industrie Service GmbH

Westendstraße 199, 80686 München, Allemagne

Numéro d'identification : 0036

Modèle : PLM5120

Niveau de puissance sonore mesurée : 92,3 dB (A)

Niveau de puissance sonore garantie : 98 dB (A)

Modèle : PLM5121

Niveau de puissance sonore mesurée : 92,4 dB (A)

Niveau de puissance sonore garantie : 98 dB (A)

30.11.2011



Tomoyasu Kato

Directeur

Makita Corporation

3-11-8, Sumiyoshi-cho,

Anjo, Aichi, JAPAN

Erklärung der Gesamtdarstellung

- | | | |
|--------------------------|-------------------------------|--------------------------|
| 1. Bremsregelgriff | 7. Kabelklemme | 13. Öldeckel |
| 2. Oberer Griff | 8. Hebel für Höheneinstellung | 14. Startergriff |
| 3. Selbstfahr-Regelgriff | 9. Boden | 15. Schraube |
| 4. Gashebel | 10. Seitliche Klappe | 16. Unterlegscheibe |
| 5. Seilführung | 11. Zündkerze | 17. Anlasseinspritzpumpe |
| 6. Feststellknopf | 12. Tankdeckel | 18. Schraube |



WARNUNG:

Lesen Sie zu Ihrer eigenen Sicherheit dieses Handbuch vor der Aufnahme des Betriebs Ihres neuen Geräts durch. Werden die folgenden Anweisungen nicht befolgt, besteht die Gefahr schwerer Verletzungen. Nehmen Sie sich vor jeder Verwendung ein wenig Zeit, sich mit Ihrem Mäher vertraut zu machen.



Achtung: Motor ist heiß.

2. ALLGEMEINE SICHERHEITSGESETZE



WARNUNG: Bei der Verwendung von Benzinwerkzeugen müssen Sie stets grundlegende Sicherheitsmaßnahmen befolgen, einschließlich der folgenden, um das Risiko von schweren Verletzungen und/oder Schäden am Gerät zu verringern. Lesen Sie vor der Inbetriebnahme dieses Produkts alle Anweisungen durch, und bewahren Sie diese zum späteren Nachschlagen auf.



WARNUNG: Während des Betriebs erzeugt diese Maschine ein elektromagnetisches Feld. Unter bestimmten Umständen kann dieses Feld Auswirkungen auf aktive oder passive medizinische Implantate haben. Zur Verminderung der Gefahr ernsthafter oder tödlicher Verletzungen empfehlen wir Personen mit medizinischen Implantaten, sich vor der Bedienung dieses Geräts an einen Arzt oder den Hersteller des medizinischen Implantats zu wenden.

Einarbeitung

- Lesen Sie alle Anweisungen aufmerksam durch. Machen Sie sich mit der Bedienung und der ordnungsgemäßen Verwendung des Mähers vertraut.
- Erlauben Sie Kindern und Personen, die diese Anleitungen nicht kennen, NIEMALS den Gebrauch des Rasenmähers. Das Mindestalter für den Benutzer ist möglicherweise durch geltende Gesetze und Bestimmungen geregelt.
- Mähen Sie niemals, wenn Personen, vor allem Kinder, oder Haustiere in der Nähe sind.
- Beachten Sie, dass der Bediener für Unfälle mit oder Gefahren für andere Personen oder deren Eigentum verantwortlich ist.

Vorbereitung

- Tragen Sie während des Mähens stets festes Schuhwerk und lange Hosen. Mähen Sie nicht barfuß oder mit leichten Sandalen.
- Überprüfen Sie sorgfältig das zu mähende Gelände und entfernen Sie alle Gegenstände, die von dem Mäher weggeschleudert werden können.

1. SYMBOLE AM PRODUKT



Lesen Sie die Bedienungsanleitung.



Halten Sie umstehende Personen fern.



Achten Sie beim Bedienen vor allem auf Ihre Hände und Füße, um Verletzungen zu vermeiden.



Kraftstoffe sind brennbar. Kein Feuer! Füllen Sie Kraftstoff nicht bei laufendem Motor nach.



Giftige Dämpfe! Kein Betrieb im Innenbereich.



Tragen Sie beim Mähen Schutzbrille und Ohrstöpsel, um sich selbst zu schützen.



Ziehen Sie vor Reparaturarbeiten die Zündkerze heraus und nehmen Sie anschließend die Reparatur anhand der Bedienungsanleitung vor.

- **WARNUNG:** Benzin ist leicht entzündlich.
 - Lagern Sie Benzin ausschließlich in dafür vorgesehenen Kanistern.
 - Füllen Sie Benzin nur im Freien nach und rauchen Sie nicht dabei.
 - Füllen Sie Benzin vor dem Starten des Motors nach. Entfernen Sie niemals die Tankkappe und füllen Sie Benzin nach, wenn der Motor läuft oder heiß ist.
 - Falls Benzin ausläuft, starten Sie den Motor nicht, sondern bewegen Sie den Mäher aus diesem Bereich heraus und vermeiden Sie strengsten jede Art von Zündung, bis der Benzindampf verfliegen ist.
 - Setzen Sie alle Deckel für den Benzintank und Kanister wieder fest auf.
- Tauschen Sie defekte Schalldämpfer aus.
- Führen Sie vor jedem Gebrauch eine Sichtprüfung der Schneidklingen, Schrauben und Schnitteinheit auf Verschleiß und Beschädigungen durch. Tauschen Sie verschlissene oder beschädigte Schneidklingen und Schrauben nur satzweise aus, um eine Unwucht zu vermeiden.

Bedienung

- Betreiben Sie den Motor nicht in Innenräumen, wo sich gefährliches Kohlenmonoxid ansammeln kann.
- Mähen Sie ausschließlich bei Tageslicht oder ausreichendem Kunstlicht.
- Vermeiden Sie, wenn möglich, den Betrieb des Mähers in feuchtem Gras.
- Achten Sie auch an Hängen immer auf einen sicheren Stand.
- Gehen Sie beim Mähen, rennen Sie niemals beim Mähen.
- Mähen Sie bei Walzenmähern quer zum Hang, niemals nach oben und unten.
- Seien Sie besonders vorsichtig, wenn Sie die Richtung am Hang ändern.
- Mähen Sie nicht an Hängen mit übermäßiger Neigung.
- Seien Sie besonders vorsichtig, wenn Sie den Mäher wenden oder zu sich heranziehen.
- Stoppen Sie die Schneidklinge(n), wenn der Mäher beim Transport geneigt werden muss, z. B. beim Überqueren von Flächen, die kein Rasen sind, oder beim Transport von und zum zu mähenden Gelände.
- Verwenden Sie den Mäher niemals mit defekten oder ohne Schutzvorrichtungen, beispielsweise ohne Schutzbleche und/oder Grasfänger.
- Ändern Sie niemals die Einstellung des Dieselmotorreglers oder überlasten Sie den Motor nicht.
- Kuppeln Sie alle Schneidklingen und Antriebskupplungen aus, bevor Sie den Motor starten.
- Starten Sie den Motor vorsichtig entsprechend den Anweisungen und mit ausreichendem Abstand zwischen den Füßen und Schneidklingen.
- Kippen Sie Rasenmäher nicht, wenn Sie den Motor starten.
- Starten Sie den Motor nicht, wenn Sie vor der Auswurföffnung stehen.
- Halten Sie weder Hände noch Füße in die Nähe oder unter rotierende Teile. Achten Sie jederzeit auf ausreichenden Abstand zur Auswurföffnung.
- Heben oder tragen Sie einen Rasenmäher niemals mit laufendem Motor.

- Stoppen Sie in folgenden Situationen den Motor und ziehen Sie das Zündkabel ab, vergewissern Sie sich, dass alle sich bewegenden Teile zum völligen Stillstand gekommen sind und entfernen Sie, falls vorhanden, den Schlüssel.
 - Vor dem Lösen von Blockierung oder Reinigen des Auswurfs.
 - Vor dem Prüfen, Reinigen oder Arbeiten am Rasenmäher.
 - Nach dem Anschlagen an Fremdkörper. Überprüfen Sie den Rasenmäher auf Beschädigungen und nehmen Sie ggf. Reparaturen vor, bevor Sie den Rasenmäher wieder starten und den Betrieb fortsetzen.
 - Falls der Rasenmäher ungewöhnlich zu vibrieren beginnt (sofort überprüfen).
- Stoppen Sie in folgenden Situationen den Motor und ziehen Sie das Zündkabel ab, vergewissern Sie sich, dass alle sich bewegenden Teile zum völligen Stillstand gekommen sind und entfernen Sie, falls vorhanden, den Schlüssel.
 - Wenn Sie den Rasenmäher verlassen.
 - Vor dem Auftanken.
- Verringern Sie die Gashebeleinstellung, während der Motor aus ist und, falls der Motor mit einem Rückschlagventil ausgestattet ist, leiten Sie das Benzin aus dem Ende des Rasenmähers.

Wartung und Lagerung

- Überprüfen Sie, dass alle Muttern, Bolzen und Schrauben stets festgezogen sind, um sichere Arbeitsbedingungen zu gewährleisten.
- Lagern Sie die Maschine niemals mit Benzin im Tank im Inneren eines Gehäuses, wo Dämpfe an offene Flammen oder Funken gelangen können.
- Lassen Sie den Motor abkühlen, bevor Sie ihn abdecken.
- Zu Minderung der Brandgefahr müssen Sie Motor, Schalldämpfer, Akkufach und Lagerbereich des Benzins frei von Gras, Blättern und übermäßiger Schmiere halten.
- Überprüfen Sie den Grasfänger häufig auf Verschleiß oder Zerstörung.
- Ersetzen Sie verschlissene oder beschädigte Teile zu Ihrer Sicherheit.
- Falls der Benzintank geleert werden muss, sollten Sie dies im Freien tun.



WARNUNG: Berühren Sie niemals eine rotierende Schneidklinge.



WARNUNG: Füllen Sie Benzin in einem gut belüfteten Bereich bei angehaltenem Motor nach.

3. BESCHREIBUNG DER BAUTEILE (Abb. 1A und 2B)

Einschließlich

A: Schlüssel für Zündkerzenstecker

B: Auswurfkanal

4. TECHNISCHE DATEN

Modell	PLM5121	PLM5120
Motorartyp	B&S675EX-Serie, ReadyStart, 126T	B&S625E-Serie, 122T
Selbstantrieb	Ja	Nein
Motorhubraum	190 cm ³	190 cm ³
Schneidklingenbreite	510 mm	510 mm
Nennrehzahl	2.800 U/min	2.800 U/min
Fassungsvermögen Kraftstofftank	1,0 l	1,0 l
Nettogewicht	31,7 kg	28 kg
Höheneinstellung:	25 – 70 mm in 5 Stufen	
L _{pA} (Schalldruckpegel) auf Benutzerseite (k = 3 dB (A))	79,2 dB (A)	78,9 dB (A)
Garantierter Schalleistungspegel L _{WA}	98 dB (A)	98 dB (A)
Schwingungen (k = 1,5 m/s ²)	2,305 m/s ²	2,056 m/s ²

5. MONTAGE

5-1 MONTIEREN DES KLAPPBAREN GRIFFS

1. Befestigen Sie die untere Lenkerstange am Mäher mit den Feststellknäufen, wie in der Abbildung dargestellt. (**Abb. 2A, Abb. 2B, Abb. 2C, Abb. 2D**)
2. Verbinden Sie oberen Griff und unteren Griff mit dem Feststellknäuf. (**Abb. 2E, Abb. 2F, Abb. 2G**)
3. Befestigen Sie die Kabelklemme in der abgebildeten Position und befestigen Sie anschließend das Kabel. (**Abb. 2H**)

6. ANPASSEN DER SCHNEIDHÖHE

Drücken Sie nach außen, um den Hebel vom Gestell zu lösen. Bewegen Sie den Hebel vor und zurück, um die Höhe einzustellen.

Die Höhe (Schneidklinge über dem Boden) kann zwischen 25 mm (1. Position: die niedrigste Position) und 70 mm (5. Position: die höchste Position) in 5 Höhenpositionen eingestellt werden. (**Abb. 3A, Abb. 3B**).

Stoppen Sie den Mäher und ziehen Sie das Zündkerzenkabel ab, bevor Sie die Schnitthöhe ändern.



WARNUNG: Nehmen Sie diese Einstellung nur bei angehaltener Schneidklinge vor.

7. ANPASSEN AUF EINE GEEIGNETE HÖHE (Abb. 4A, Abb. 4B)

1. Ziehen Sie die Verriegelungsknöpfe heraus, mit denen der untere Griff befestigt ist (siehe **Abb. 4A**).
2. Bewegen Sie den unteren Griff entsprechend **Abb. 4B** nach oben und unten und stellen Sie den Griff auf die richtige Höhe ein.
Bei diesem Rasenmäher stehen 3 Einstellhöhen zur

Verfügung: Position 1 mit der höchsten Höhe und Position 3 mit der niedrigsten Höhe.

3. Stellen Sie die gewünschte Höhe ein und befestigen Sie den unteren Griff mit Hilfe der Verriegelungsknöpfe.



WARNUNG: Die linke Seite und die rechte Seite des unteren Griffs müssen auf dieselbe Höhe eingestellt sein.

8. STARTERGRIF (Abb. 5)

Bewegen Sie den Startgriff vom Motor zum Seilführung.

9. „2 IN 1“

9-1 RÜCKSTELLEN FÜR DAS MÄHEN MIT SEITLICHEM AUSWURF

1. Heben Sie die seitliche Klappe für den seitlichen Auswurf an. (**Abb. 6A**)
2. Montieren Sie die Auswurführung für den seitlichen Auswurf am Aufhängebolzen der seitlichen Klappe. (**Abb. 6A, Abb. 6B**)
3. Senken Sie die seitliche Klappe – die Klappe liegt auf dem Auswurfkanal. (**Abb. 6C**)



Nur bei gestopptem Motor und stillstehendem Schnittmesser!

9-2 MULCHMÄHER

Was ist Mulchen?

Beim Mulchen wird das Gras in einem einzigen Arbeitsschritt geschnitten, anschließend fein gehäckselt und als natürlicher Dünger wieder auf den Rasen ausgeworfen.

Tipps zum Mulchmähen:

- Mähen Sie regelmäßig bei einer Grashöhe von 6 cm um 2 cm auf eine Grashöhe von 4 cm ab.
- Verwenden Sie ein scharfes Schnittmesser.
- Mähen Sie kein feuchtes Gras.

- Stellen Sie die maximale Motordrehzahl ein.
- Bewegen Sie sich nur im Arbeitstempo.
- Reinigen Sie den Mulchkeil, das Gehäuseinnere und die Schneidklinge regelmäßig.



WARNUNG: Nur bei gestopptem Motor und stillstehendem Schnittmesser.

1. Heben Sie die seitliche Klappe und nehmen Sie den Auswurfkanal ab. (**Abb. 7A, Abb. 7B**)
 - Die seitliche Klappe schließt über eine Feder automatisch die Auswurföffnung am Gehäuse.
 - Reinigen Sie regelmäßig die seitliche Klappe und die Auswurföffnung von Grasresten und festsitzendem Dreck.

10. BEDIENUNGSANWEISUNGEN

10-1 VOR DEM STARTEN

Füllen Sie Benzin und Öl für den Motor nach, wie in dem separaten Motorhandbuch zu Ihrem Mäher aufgeführt. Lesen Sie alle Anweisungen aufmerksam.



WARNUNG: Benzin ist leicht entzündlich.

Lagern Sie Benzin ausschließlich in dafür vorgesehenen Kanistern.

Füllen Sie Benzin nur im Freien nach, bevor Sie den Motor starten und rauchen Sie nicht dabei.

Entfernen Sie niemals die Tankkappe und füllen Sie Benzin nach, wenn der Motor läuft oder heiß ist.

Falls Benzin ausläuft, starten Sie den Motor nicht, sondern bewegen Sie den Mäher aus diesem Bereich heraus und vermeiden Sie strengstens jede Art von Zündung, bis der Benzindampf verfliegen ist.

Setzen Sie alle Deckel für den Benzintank und Kanister wieder fest auf.

Entfernen Sie das Benzin aus dem Tank, bevor Sie den Rasenmäher kippen, um die Schneidklinge zu warten oder Öl abzulassen.



WARNUNG: Tanken Sie niemals im Inneren nach, bei laufendem Motor oder bei noch heißen Motor; lassen Sie den Motor mindestens 15 Minuten nach dem Betrieb abkühlen.

10-2 SO STARTEN SIE DEN MOTOR UND SETZEN SIE DIE SCHNEIDKLINGE EIN

1. Der Mäher ist mit einer Gummimanschette über dem Ende des Zündkerzensteckers ausgestattet, damit die Metallschlaufe am Ende des Zündkerzenkabels (in der Gummimanschette) sicher über der Metallspitze des Zündkerzensteckers befestigt ist.
- 2.1. Für PLM5121:
Wenn Sie den Motor kalt oder warm starten, drehen Sie den Gashebel zwischen die Position „↶“ und die Position „↷“. Drehen Sie während des Betriebs den Gashebel in die Position „↸“.
(**Abb. 8B**)

2.2. Für PLM5120:

Drücken Sie beim Kaltstart die Anlassenspritzpumpe 3 bis 5 Mal, bevor Sie den Motor starten, und drehen Sie den Gashebel in die Position „↶“.
Drehen Sie beim warmen Starten und Betreiben des Motors den Gashebel in die Position „↷“.
(**Abb. 8A, Abb. 8B**)

3. Greifen Sie hinter dem Mäher stehend den Bremsregelgriff und halten Sie ihn gegen den oberen Griff (siehe **Abb. 8C**).
4. Greifen Sie den Startergriff, wie in **Abb. 8C** dargestellt und ziehen Sie ihn schnell nach oben. Bringen Sie ihn langsam nach den Starten des Motors zum Seilführungsbolzen zurück.
Lassen Sie den Bremsregelgriff los, um den Motor und das Schnittblatt zu stoppen. (**Abb. 8D**)



Starten Sie den Motor vorsichtig entsprechend den Anweisungen und mit ausreichendem Abstand zwischen Füßen und Schneidklinge.



Kippen Sie Rasenmäher nicht, wenn Sie den Motor starten. Starten Sie den Mäher auf einer ebenen Fläche ohne hohes Gras oder Hindernisse.



Halten Sie Ihre Hände und Füße von beweglichen Teilen fern. Starten Sie den Motor nicht, wenn Sie vor der Auswurföffnung stehen.

10-3 BEDIENUNG

Halten Sie den Bremsgriff während des Betriebs stets mit beiden Händen fest.



HINWEIS: Wenn Sie den Bremsgriff während des Betriebs loslassen, stoppen der Motor und daher auch der Rasenmäher.

10-4 SO STOPPEN SIE DEN MOTOR



ACHTUNG: Nach dem Stopp des Motors dreht sich die Schneidklinge für einige Sekunden weiter.

1. Lassen Sie den Bremsregelgriff los, um den Motor und die Schneidklinge zu stoppen.
2. Ziehen Sie das Zündkerzenkabel ab und erden Sie es, wie in dem separaten Motorhandbuch beschrieben, um ein versehentliches Starten des Motors eines unbeaufsichtigten Mähers zu verhindern.

10-5 SELBSTFAHREN

Für PLM5121

Erfassen Sie den Selbstfahrgriff. Daraufhin bewegt sich der Rasenmäher selbsttätig mit einer Geschwindigkeit von ca. 3,6 km/s (**Abb. 9**) vorwärts; bei Loslassen des Selbstfahrgriffs stoppt der Rasenmäher seine Fahrt.



ACHTUNG: Dieser Rasenmäher ist für das Mähen von in Wohngebieten üblichem Rasen mit einer Höhe von max. 250 mm vorgesehen. Verwenden Sie diesen Rasenmäher nicht zum Mähen von ungewöhnlich hohem und trockenem oder feuchtem Gras (z. B. von Weidewiesen) oder zum Mähen durch Laubhaufen. Anderenfalls kann es zum Anstauen von Gras und Laub am Boden des Mähers kommen oder Gras und Laub können mit dem Auspuff in Kontakt kommen und sich entzünden.

10-6 FÜR BESTE ERGEBNISSE BEIM MÄHEN

Lesen Sie Fremdkörper vom Rasen ab. Vergewissern Sie sich, dass keine Steine, Stöcke, Kabel oder Fremdkörper auf dem Rasen herumliegen, die versehentlich vom Mäher in eine beliebige Richtung herausgezogen werden und schwere Verletzungen des Bedieners oder anderer Personen oder Sachschäden verursachen könnten. Mähen Sie kein feuchtes Gras. Mähen Sie für ein effektives Mähen kein feuchtes Gras, da dies zum Klumpen an der Bodenunterseite neigt und ein richtiges Mähen des Grasschnitts verhindert. Schneiden Sie nicht mehr als 1/3 der Grashöhe ab. Für das Mähen wird das Abmähen von 1/3 der Grashöhe empfohlen. Die Vorschubgeschwindigkeit muss so angepasst werden, dass der Grasschnitt gleichmäßig auf den Rasen ausgeworfen werden kann. Vor allem beim Schneiden von dickem Gras wird eine der langsamsten Geschwindigkeiten genutzt werden müssen, um einen sauberen, gut gemähnten Schnitt zu erhalten. Beim Mähen von langem Gras müssen Sie den Rasen möglicherweise in zwei Durchgängen mähen; mähen Sie im ersten Durchgang 1/3 der Grashöhe ab und im zweiten Durchgang ein weiteres Drittel und möglicherweise in einem anderen Verlaufsmuster. Durch leichtes Überlappen jedes Durchgangs können Sie alle vereinzelt, auf dem Rasen verbliebenen Schnitte bereinigen. Der Mäher sollte stets bei Vollgas betrieben werden, um den besten Schnitt zu erhalten und ein effektives Mähen zu erreichen. Reinigen Sie die Bodenunterseite. Reinigen Sie nach jeder Verwendung die Bodenunterseite, um die Ansammlung von Gras zu vermeiden, wodurch ein ordentliches Mulchen verhindert werden könnte. Mähen von Blättern: Das Mähen von Blättern kann für Ihren Rasen auch von Vorteil sein. Vergewissern Sie sich vor dem Mähen von Blättern, dass diese trocken sind und nicht zu dick auf dem Rasen liegen. Warten Sie nicht, bis alle Blätter von den Bäumen gefallen sind, bevor Sie mähen.



WARNUNG: Falls der Mäher auf einen Fremdkörper schlägt, stoppen Sie den Motor. Ziehen Sie das Kabel vom Zündkerzenstecker, überprüfen Sie den Mäher gründlich auf Beschädigungen und reparieren Sie Schäden, bevor Sie den Mäher neu starten und weiter betreiben. Übermäßige Vibrationen des Mähers während des Betriebs sind Anzeichen eines Schadens. Der Mäher sollte umgehend überprüft und repariert werden.

10-7 BODEN

Die Unterseite des Mäherbodens muss nach jeder Verwendung gereinigt werden, um ein Ansammeln von Grasschnitt, Blättern, Schmutz oder anderen Materialien zu verhindern. Falls sich Fremdkörper ansammeln können, wird Rost und Oxydation begünstigt, und ein ordentliches Mulchen möglicherweise verhindert. Möglicherweise müssen Sie zum Reinigen des Bodens den Mäher kippen und mit einem geeigneten Werkzeug sauber kratzen. (Ziehen Sie auf jeden Fall den Zündkerzenstecker ab!)

11. WARTUNGSANWEISUNGEN

ZÜNDKERZENSTECKER

Verwenden Sie für den Zündkerzenstecker nur originale Ersatzteile. Tauschen Sie für beste Ergebnisse den Zündkerzenstecker aller 100 Betriebsstunden aus.

12. SCHMIERUNGSANWEISUNGEN



ACHTUNG: TRENNEN SIE VOR WARTUNGSARBEITEN DEN ZÜNDKERZENSTECKER AB.

1. RÄDER: Schmieren Sie die Kugellager in jedem Rad mindestens 1x in der Saison mit einem Leichtöl.
2. MOTOR: Halten Sie sich an die Schmierungsanweisungen im Motorhandbuch.
3. SCHNEIDKLINGENREGELUNG: Schmieren Sie die Drehpunkte am Schneidklingenregelgriff und Bremskabel mindestens 1x in der Saison mit einem Leichtöl. Die Schneidklingenregelung muss in beide Richtungen frei beweglich sein.

13. REINIGUNG



ACHTUNG: Spritzen Sie den Motor nicht ab. Wasser kann den Motor beschädigen und das Kraftstoffsystem verunreinigen.

1. Reiben Sie den Boden mit einem trockenen Tuch ab.
2. Spritzen Sie den Unterboden des Mähers ab, indem Sie den Mäher so kippen, dass der Zündkerzenstecker oben ist.

13-1 MOTORENLUFTREINIGER



ACHTUNG: Erlauben Sie nicht, dass Dreck und Schmutz den Luftfilter verschmutzt. Das Luftreinigererelement des Motors muss nach 25 Stunden normalen Mähens gereinigt werden. Das Schaumstoffelement muss regelmäßig gereinigt werden, wenn der Mäher in trockenen und staubigen Bedingungen verwendet wird. (Siehe MOTORHANDBUCH)

SO REINIGEN SIE DEN LUFTFILTER

1. Entfernen Sie die Schraube. (Abb. 10A, Abb. 10B)
2. Entfernen Sie die Abdeckung.
3. Waschen Sie das Filterelement in Seifenwasser.

VERWENDEN SIE KEIN BENZIN.

- Lassen Sie das Luftreinigungsselement an der Luft trocknen.
- Geben Sie einige Tropfen SAE30-Öl auf den Schaumfilter und quetschen Sie überschüssiges Öl aus.
- Setzen Sie den Filter wieder ein.



HINWEIS: Tauschen Sie den Filter aus, falls dieser ausgefranst, verschlissen, beschädigt oder nicht zu reinigen ist.

13-2 SCHNEIDKLINGE



ACHTUNG: Trennen und erden Sie auf jeden Fall den Zündkerzenstecker, bevor Sie an der Schneidklinge arbeiten, um ein versehentliches Starten des Motors zu verhindern. Schützen Sie Ihre Hände mit Handschuhen oder einem Lappen, wenn Sie die Schneidklingen anfassen. Kippen Sie den Mäher, wie in dem separaten Motorhandbuch angegeben. Entfernen Sie die Sechskantschraube, die die Schneidklinge und den Schneidklingenadapter auf der Motorwelle hält. Entfernen Sie die Schneidklinge und den Adapter von der Welle.



WARNUNG: Überprüfen Sie regelmäßig den Schneidklingenadapter auf Risse, vor allem, wenn Sie einen Fremdkörper gestreift haben. Tauschen Sie bei Bedarf aus. Für beste Ergebnisse sollte die Schneidklinge scharf sein. Sie können die Schneidklinge nachschärfen, entfernen Sie sie dazu und schleifen oder feilen Sie die Schnittkante so nah wie möglich an der originalen Abfasung nach. Es ist extrem wichtig, dass jede Schnittkante gleichmäßig abgetragen wird, um eine Schneidklingenunwucht zu vermeiden. Eine Schneidklingenunwucht führt zu übermäßigen Schwingungen und eventueller Beschädigung von Motor und Mäher. Wuchten Sie die Schneidklinge nach dem Schärfen sorgfältig aus. Balancieren Sie die Schneidklinge dafür auf dem runden Teil eines Schraubendrehers. Entfernen Sie Material von der schwereren Seite, bis die Schneidklinge in der Balance ist. Schmieren Sie vor der Wiedermontage der Schneidklinge und des Schneidklingenadapters die Motorwelle und die Innenfläche des Schneidklingenadapters mit Leichtöl. Setzen Sie den Schneidklingenadapter auf die Welle. Siehe **Abb. 11**. Setzen Sie die Schneidklinge mit der Teilenummer weg vom Adapter zeigend auf. Richten Sie die Unterlegscheibe über der Schneidklinge aus und setzen Sie die Sechskantschraube auf. Ziehen Sie die Sechskantschraube mit dem angegebenen Drehmoment an.

13-3 MONTAGEDREHMOMENT FÜR DIE SCHNEIDKLINGE

Mittelschraube: 40 – 50 Nm; um einen sicheren Betrieb Ihrer Maschine zu gewährleisten, müssen ALLE Muttern und Bolzen regelmäßig auf festen Sitz überprüft werden. Nach einer längeren Verwendung, vor allem bei sandigen Böden, verschleißt die Schneidklinge und verliert ihre

ursprüngliche Schärfe. Ein effizientes Mähen wird vermindert und die Schneidklinge muss ausgetauscht werden. Nehmen Sie als Austausch ausschließlich eine genehmigte Ersatzschneidklinge. Mögliche Schäden aufgrund einer Schneidklingenunwucht liegen nicht in der Verantwortlichkeit des Herstellers. Wenn Sie die Schneidklinge tauschen, müssen Sie den auf der Schneidklinge angegebenen Originaltyp wieder verwenden (MAKITA 263001826) (für die Bestellung der Schneidklinge wenden Sie sich an Ihren Händler vor Ort oder rufen in unserem Unternehmen an).



WARNUNG: Berühren Sie niemals eine rotierende Schneidklinge.

13-4 MOTOR

Schlagen Sie im separaten Motorhandbuch die Wartungsanweisungen für den Motor nach. Wechseln Sie das Motoröl wie in dem separaten Motorhandbuch zu Ihrem Mäher aufgeführt. Lesen Sie alle Anweisungen aufmerksam durch und befolgen Sie diese. Warten Sie den Luftreiniger unter normalen Bedingungen, wie im separaten Motorhandbuch angegeben. Reinigen Sie diese unter extrem staubigen Bedingungen alle paar Stunden. Schlechte Motorleistung und Absaufen weisen gewöhnlich auf eine fällige Wartung des Luftreinigers hin. Warten Sie den Luftreiniger wie in dem separaten Motorhandbuch zu Ihrem Mäher aufgeführt. Der Zündkerzenstecker muss sauber sein und der Abstand sollte 1x pro Saison eingestellt werden. Ein Austausch des Zündkerzensteckers wird zu Beginn jeder Mähseason empfohlen. Den korrekten Steckertyp und die Abstandsdaten finden Sie im Motorhandbuch. Reinigen Sie den Motor regelmäßig mit einem Tuch oder einer Bürste. Halten Sie das Kühlsystem (Bereich des Gebläsegehäuses) sauber, um die richtige Luftzirkulation zu gewährleisten, die für die Leistung und die Lebenszeit des Motors wichtig ist. Entfernen Sie Gras, Schmutz und entflammbare Fremdkörper aus dem Schalldämpferbereich.

14. LAGERUNGSANWEISUNGEN (AUSSERHALB DER SAISON)

Die folgenden Schritte sollten unternommen werden, um den Rasenmäher auf eine Lagerung vorzubereiten.

- Leeren Sie den Tank nach dem letzten Mähen der Saison.
 - Leeren Sie den Benzintank mit einer Ansaugpumpe.



ACHTUNG: Lassen Sie das Benzin nicht in geschlossenen Räumen, in unmittelbarer Nähe von Feuer usw. ab. Rauchen Sie nicht. Benzindämpfe können zu einer Explosion oder einem Brand führen.

- Starten Sie den Motor und lassen Sie ihn laufen, bis alles verbliebene Benzin verbraucht ist und er stehen bleibt.
- Entfernen Sie die Zündkerze Füllen Sie mit einer Ölkanne ca. 20 ml Öl in die Verbrennungskammer.

Betätigen Sie den Starter, um das Öl gleichmäßig in der Verbrennungskammer zu verteilen. Setzen Sie die Zündkerze wieder ein.

2. Reinigen und schmieren Sie den Rasenmäher sorgfältig, wie unter „Schmierung“ beschrieben.
3. Schmieren Sie die Schneidfläche leicht zur Vermeidung von Korrosion.
4. Bewahren Sie den Rasenmäher in einem trockenen, sauberen und frostgeschützten Raum außerhalb der Reichweite unautorisierter Personen auf.



ACHTUNG: Der Motor muss vor der Lagerung völlig abgekühlt sein.



HINWEIS:

- Wenn Antriebsaggregate jeglichen Typs in einem unbelüfteten oder Materiallagerhaus gelagert werden, achten Sie auf einen Rostschutz der Maschine. Tragen Sie ein Leichtöl oder Silikon auf die Maschine auf, vor allem auf Kabel und alle sich bewegenden Teile.
- Achten Sie darauf, Kabel nicht zu biegen oder zu knicken.
- Falls das Starterseil von der Seilführung am Griff abgetrennt wird, ziehen Sie das Zündkerzenkabel ab und erden Sie es. Drücken Sie den Schneidklingenregelgriff und ziehen Sie das Starterseil langsam aus dem Motor. Schieben Sie das Starterseil in den Seilführungsbolzen am Griff.

Transport

Schalten Sie den Motor aus. Stellen Sie beim Schieben des Rasenmähers über Hindernisse sicher, dass die Klinge nicht verbogen oder beschädigt wird.

15. PROBLEMBEHEBUNG

PROBLEM	MÖGLICHE URSACHE	KORREKTURMASSNAHME
Motor startet nicht.	Gashebel nicht in der richtigen Position für die vorherrschenden Bedingungen.	Bewegen Sie den Gashebel in die richtige Position.
	Benzintank ist leer.	Füllen Sie Benzin nach. Siehe MOTORHANDBUCH.
	Luftreinigungselement ist verschmutzt.	Reinigen Sie das Luftreinigungselement. Siehe MOTORHANDBUCH.
	Zündkerzenstecker ist lose.	Ziehen Sie den Zündkerzenstecker mit einem Moment von 25 bis 30 Nm fest.
	Zündkerzenkabel ist lose oder vom Stecker abgetrennt.	Bringen Sie das Zündkerzenkabel am Zündkerzenstecker an.
	Abstand der Zündkerze ist nicht korrekt.	Stellen Sie den Abstand zwischen den Elektroden auf 0,7 bis 0,8 mm ein.
	Zündkerzenstecker ist defekt.	Bauen Sie einen neuen Stecker mit korrektem Abstand ein. Siehe MOTORHANDBUCH.
	Vergaser ist mit Benzin abgesoffen.	Entfernen Sie das Luftreinigungselement und ziehen Sie das Starterseil kontinuierlich, bis der Vergaser sich selbst leert und setzen Sie das Luftreinigungselement wieder ein.
	Defektes Zündungsmodul.	Wenden Sie sich an den Kundendienst.
Motor kann nur schwierig gestartet werden oder verliert an Leistung.	Schmutz, Wasser oder abgestandenes Benzin im Tank.	Lassen Sie das Benzin ab und reinigen Sie den Tank. Füllen Sie sauberes und frisches Benzin nach.
	Belüftungsloch im Benzintankdeckel ist verstopft.	Reinigen Sie den Tankdeckel oder ersetzen Sie ihn.
	Luftreinigungselement ist verschmutzt.	Reinigen Sie das Luftreinigungselement.
Motor läuft unstet.	Zündkerzenstecker ist defekt.	Bauen Sie einen neuen Stecker mit korrektem Abstand ein. Siehe MOTORHANDBUCH.
	Abstand der Zündkerze ist nicht korrekt.	Stellen Sie den Abstand zwischen den Elektroden auf 0,7 bis 0,8 mm ein.
	Luftreinigungselement ist verschmutzt.	Reinigen Sie das Luftreinigungselement. Siehe MOTORHANDBUCH.
Motorleerlauf zu gering.	Luftreinigungselement ist verschmutzt.	Reinigen Sie das Luftreinigungselement. Siehe MOTORHANDBUCH.
	Luftschlitz in Motorabdeckung sind blockiert.	Entfernen Sie die Fremdkörper aus den Schlitzen.
	Kühlrippen und Luftdurchgänge unter dem Gebläsegehäuse des Motors sind blockiert.	Entfernen Sie die Fremdkörper aus den Kühlrippen und Luftdurchgängen.
Motor setzt bei hoher Drehzahl aus.	Anstand zwischen Elektroden des Zündsteckers ist zu eng.	Stellen Sie den Abstand zwischen den Elektroden auf 0,7 bis 0,8 mm ein.
Motor überhitzt.	Kühlluftstrom ist eingeschränkt.	Entfernen Sie alle Fremdkörper aus den Schlitzen in der Abdeckung, Gebläsegehäuse und Luftdurchgängen.
	Fehlerhafter Zündkerzenstecker.	Bauen Sie einen Zündkerzenstecker RJ19LMC und Kühlrippen am Motor ein.
Mäher vibriert abnormal.	Schnittbaugruppe ist lose.	Ziehen Sie die Schneidklinge fest.
	Schnittbaugruppe ist nicht ausgewuchtet.	Wuchten Sie die Schneidklinge aus.

16. GARANTIE

Für dieses Produkt gilt eine Garantie gemäß den rechtlichen Bestimmungen für einen Zeitraum von 12 Monaten ab dem Kaufdatum des ersten Benutzers. Diese Garantie umfasst alle Material- oder Fertigungsfehler; sie umfasst keine Defekte, wie normale Abnutzung und Verschleißteile, wie Lager, Bürsten,

Kabel, Stecker oder Zubehörteile, wie Bohrer, Bohrkronen, Sägeblätter usw.; Schäden oder Defekte, die sich aus Missbrauch, Unfällen oder Veränderungen ergeben; die Kosten für den Transport sind ebenfalls nicht enthalten.

Wir behalten uns das Recht vor, beliebige Ansprüche abzulehnen, wenn der Erwerb nicht verifiziert werden kann oder wenn klar ist, dass das Erzeugnis nicht

ordnungsgemäß gewartet wurde. (Regelmäßige
Reinigung der Belüftungsschlitze, Wartung der
Kohlebürsten.)
Bewahren Sie Ihren Kassenbeleg als Nachweis für das
Erwerbsdatum auf.
Sie müssen Ihr unzerlegtes Werkzeug an Ihren Händler in
einem annehmbar sauberen Zustand, in seinem
originalen Formetui zusammen mit Ihrem Kaufbeleg
zurückgeben.

17. UMWELT

Sollte Ihre Maschine nach langem Gebrauch
ausgetauscht werden, geben Sie diese nicht zum
Hausmüll, sondern entsorgen Sie sie umweltfreundlich
und sicher.

18. EG- KONFORMITÄTSERKLÄRUNG

(Nur für europäische Länder)

**Wir, Makita Corporation als verantwortlicher
Hersteller, erklären, dass das/die folgende/n Gerät/
Geräte der Marke Makita:**

Bezeichnung des Geräts/der Geräte: Benzin-
Rasenmäher

Nummer / Typ des Modells: PLM5120, PLM5121

Technische Daten: Siehe „4. TECHNISCHE DATEN“
in Serienfertigung hergestellt wird/werden und

**den folgenden Richtlinien der Europäischen Union
genügt/genügen:**

2004/108/EG, 2006/42/EG,
2000/14/EG&2005/88/EG

Außerdem werden die Geräte gemäß den folgenden
Standards oder Normen gefertigt:

EN ISO 14982, EN836

Die technische Dokumentation erfolgt durch unseren
Bevollmächtigten in Europa:

Makita International Europe Ltd.
Michigan Drive, Tongwell,
Milton Keynes, Bucks MK15 8JD, England

Das Verfahren zur Konformitätsbewertung, vorgesehen in
2000/14/EG, erfolgte in Übereinstimmung mit Anhang V.

Benannte Stelle:

TÜV SÜD Industrie Service GmbH
Westendstraße 199, 80686 München, Deutschland
Kennnummer der benannten Stelle: 0036

Modell: PLM5120

Gemessener Schalleistungspegel: 92,3 dB (A)

Garantierter Schalleistungspegel: 98 dB (A)

Modell: PLM5121

Gemessener Schalleistungspegel: 92,4 dB (A)

Garantierter Schalleistungspegel: 98 dB (A)

30.11.2011



Tomoyasu Kato
Direktor
Makita Corporation
3-11-8, Sumiyoshi-cho,
Anjo, Aichi, JAPAN

Spiegazione della vista generale

- | | | |
|---------------------------------------|-----------------------------------|---------------------------------------|
| 1. Impugnatura di comando del freno | 5. Guida della corda | 12. Tappo del serbatoio di carburante |
| 2. Impugnatura superiore | 6. Manopola di blocco | 13. Tappo dell'olio |
| 3. Impugnatura di controllo semovenza | 7. Gancio fermacavo | 14. Impugnatura di avviamento |
| 4. Leva del dispositivo di avviamento | 8. Leva di regolazione in altezza | 15. Bullone |
| | 9. Corpo | 16. Rondella |
| | 10. Aletta laterale | 17. Pompa di innesco |
| | 11. Candela | 18. Vite |

**AVVERTENZA:**

Per ragioni di sicurezza, l'operatore deve leggere il presente manuale prima di azionare la nuova unità. Il mancato rispetto delle istruzioni può condurre a gravi infortuni. Dedicate qualche istante ad acquisire dimestichezza con il rasaerba prima di ogni uso.



Attenzione: il motore è caldo.

1. SIMBOLI SUL PRODOTTO

Consultare il manuale dell'operatore.



Tenere a distanza gli osservatori.



Prestare particolare attenzione a mani e piedi dell'operatore per evitare infortuni.



Il carburante è infiammabile; conservarlo a distanza di sicurezza dalle fiamme. Non aggiungere carburante quando la macchina è in funzione.



Fumi tossici; non utilizzare al chiuso.



Durante la rasatura, indossare occhiali e tappi per le orecchie a scopo di protezione.



Durante la riparazione, togliere la candela e procedere alla riparazione attenendosi al manuale di istruzioni.

2. NORME GENERALI DI SICUREZZA

AVVERTENZA: Durante l'uso di macchine a benzina, è necessario adottare tutte le precauzioni di base per la sicurezza, comprese quelle indicate di seguito, per ridurre il rischio di gravi infortuni e/o danni all'unità. Leggere tutte le istruzioni prima di azionare il prodotto e conservarle per successive consultazioni.



AVVERTENZA: La macchina produce un campo elettromagnetico quando è in uso. In alcune circostanze il campo potrebbe interferire con impianti medicali attivi o passivi. Per ridurre il rischio di incidenti gravi o mortali, si raccomanda alle persone con impianti medicali di consultare il proprio medico e il produttore dell'impianto medicale prima di utilizzare questa macchina.

Addestramento

- Leggere attentamente le istruzioni. Acquisire familiarità con i comandi e con l'uso corretto della macchina.
- Non permettere che il rasaerba venga utilizzato da bambini o da persone che non abbiano dimestichezza con le presenti istruzioni. Le leggi locali possono fissare un'età minima per l'utilizzatore.
- Non utilizzare il rasaerba in presenza di persone, in particolare bambini, o animali nelle vicinanze.
- Tenere presente che l'operatore o l'utilizzatore è responsabile di incidenti o pericoli che possono riguardare altre persone o le loro proprietà.

Preparazione

- Durante la rasatura, indossare sempre calzature robuste e pantaloni lunghi. Non azionare la macchina a piedi scalzi o con sandali aperti.
- Ispezionare a fondo l'area in cui dovrà essere utilizzato la macchina e rimuovere tutti gli oggetti che potrebbero essere scagliati dalla macchina.
- **AVVERTENZA:** La benzina è altamente infiammabile.
 - Conservare il carburante in contenitori appositamente progettati per questo scopo.
 - Eseguire il rifornimento all'aperto e non fumare durante il rifornimento.

- Aggiungere il carburante prima di avviare il motore. Non rimuovere il tappo del serbatoio di carburante e non aggiungere benzina mentre il motore è in funzione o se il motore è caldo.
- In caso di fuoriuscite di benzina, non avviare il motore, ma allontanare la macchina dall'area della fuoriuscita ed evitare di creare fonti di accensione fino alla completa dissipazione dei vapori della benzina.
- Riapplicare correttamente i tappi del serbatoio di carburante e del contenitore.
- Sostituire le marmitte difettose.
- Prima dell'uso, ispezionare visivamente la macchina per controllare che le lame, i bulloni e il gruppo di taglio non siano usurati o danneggiati. Sostituire le lame e i bulloni usurati o danneggiati in gruppi per mantenere l'equilibratura.

Funzionamento

- Non azionare il motore in uno spazio limitato, dove potrebbero raccogliersi i pericolosi fumi del monossido di carbonio.
- Utilizzare il rasaerba solamente alla luce del giorno o con buona luce artificiale.
- Se possibile, evitare di utilizzare l'apparecchiatura su erba bagnata.
- Accertarsi sempre del proprio punto d'appoggio sui terreni in pendenza.
- Camminare, senza correre.
- Per le macchine dotate di ruote, procedere in senso trasversale rispetto ai pendii.
- Prestare la massima attenzione ai cambi di direzione sui pendii.
- Non utilizzare il rasaerba su pendii eccessivamente ripidi.
- Prestare particolare attenzione durante i cambi di direzione o quando si tira il rasaerba verso di sé.
- Fermare la lama (o le lame) se il rasaerba deve essere inclinato per il trasporto, nell'attraversare superfici non erbose e quando il rasaerba viene trasportato da o verso l'area che deve essere tagliata.
- Non azionare mai il rasaerba se le protezioni sono difettose oppure in assenza di dispositivi di sicurezza, ad esempio i deflettori e/o i sacchi raccogliherba.
- Non cambiare le impostazioni di funzionamento del motore e non sovraccaricare il motore.
- Disinnescare la frizione della lama e di azionamento prima di avviare il motore.
- Avviare attentamente il motore, attenendosi alle istruzioni e tenendo i piedi a distanza dalle lame.
- Non inclinare il rasaerba durante l'avviamento del motore.
- Non avviare il motore rimanendo in piedi davanti al convogliatore di scarico.
- Non avvicinare mani e piedi alle parti rotanti o alle aree sottostanti. Rimanere sempre lontani dall'apertura di scarico.
- Non sollevare o trasportare il rasaerba quando il motore è in funzione.
- Spegnerlo il motore e scollegare il filo della candela, assicurarsi che tutte le parti in movimento si siano completamente fermate e, se presente, rimuovere la chiave:

- Prima di avviare il motore o disinfestare il convogliatore.
- Prima di controllare, pulire o intervenire sul rasaerba.
- Dopo aver colpito un corpo estraneo. Verificare eventuali danni sul rasaerba ed effettuare le necessarie riparazioni prima di usare nuovamente la macchina.
- Se il rasaerba inizia a vibrare in modo anomalo (eseguire un controllo immediato).
- Spegnerlo il motore e scollegare il filo della candela, assicurarsi che tutte le parti in movimento si siano completamente fermate e, se presente, rimuovere la chiave:
 - Quando si lascia il rasaerba incustodito.
 - Prima del rifornimento.
- Ridurre l'impostazione dell'acceleratore durante lo spegnimento del motore e, se il motore è dotato di una valvola di intercettazione, chiudere l'ingresso del carburante alla fine della rasatura.

Manutenzione e conservazione

- Mantenere serrati dadi, bulloni e viti per garantire che l'apparecchiatura sia in condizioni di funzionamento sicure.
- Non conservare un'apparecchiatura il cui serbatoio contenga benzina all'interno di un edificio in cui i fumi possono entrare a contatto con fiamme libere o scintille.
- Attendere il raffreddamento del motore prima di conservare la macchina al chiuso.
- Per ridurre il pericolo di incendi, rimuovere dal motore, dalla marmitta, dal vano batteria e dal serbatoio di benzina eventuali residui di erba, foglie o grasso in eccesso.
- Controllare di frequente il sacco raccogliherba per verificarne l'usura o il deterioramento.
- Sostituire le parti usurate o danneggiate per garantire la sicurezza.
- Se fosse necessario svuotare il serbatoio di carburante, svolgere l'operazione all'aperto.



AVVERTENZA: Non toccare le lame in rotazione.



AVVERTENZA: Eseguire il rifornimento in un'area ventilata a motore spento.

3. DESCRIZIONE DELLE PARTI (Fig. 1A e 1B)

Compresi

A: Chiave della candela

B: Canale di scarico

4. DATI TECNICI

Modello	PLM5121	PLM5120
Tipo di motore	Serie B&S675EX, ReadyStart, 126T	Serie B&S625E, 122T
Semovente	Sì	No
Cilindrata del motore	190 cm ³	190 cm ³
Larghezza della lama	510 mm	510 mm
Velocità nominale	2.800/min	2.800/min
Capacità del serbatoio di carburante	1,0 L	1,0 L
Peso netto	31,7 kg	28 kg
Regolazione in altezza:	25-70 mm, 5 regolazioni	
L _{pA} (SPL) presso la sede dell'operatore (k = 3 dB (A))	79,2 dB (A)	78,9 dB (A)
Livello di potenza acustica L _{wA}	98 dB (A)	98 dB (A)
Vibrazione (k = 1,5 m/s ²)	2,305 m/s ²	2,056 m/s ²

5. MONTAGGIO

5-1 MONTAGGIO DELL'IMPUGNATURA RIEPIGABILE

1. Fissare i manubri inferiori al corpo dell'unità utilizzando le manopole di blocco, come illustrato nella figura. (Fig. 2A, Fig. 2B, Fig. 2C, Fig. 2D)
2. Collegare l'impugnatura superiore e l'impugnatura inferiore alla manopola di blocco. (Fig. 2E, Fig. 2F, Fig. 2G)
3. Fissare il fermacavo nella posizione illustrata e collegare il cavo. (Fig. 2H)

6. REGOLAZIONE DELL'ALTEZZA DI TAGLIO

Applicare una pressione verso l'esterno per sganciare la leva dal binario. Spostare la leva avanti o indietro per regolare l'altezza.

L'altezza (della lama al suolo) può essere regolata da 25 mm (posizione 1: posizione più bassa) a 70 mm (posizione 5 : posizione più alta), per 5 posizioni di altezza. (Fig. 3A, Fig. 3B).

Spegnere il rasaerba e scollegare il filo della candela prima di cambiare l'altezza di taglio della macchina.



AVVERTENZA: Effettuare questa regolazione solo quando la lama è completamente ferma.

7. REGOLAZIONE DELL'ALTEZZA APPROPRIATA (Fig. 4A, Fig. 4B)

1. Rilasciare le manopole di blocco che fissano l'impugnatura inferiore, come indicato nella Fig. 4A.
2. Come indicato nella Fig. 4B, muovere l'impugnatura inferiore in alto e in basso, regolandola fino a raggiungere l'altezza appropriata. Questo tipo di rasaerba prevede 3 altezze di

regolazione a scelta; l'altezza massima è in posizione 1, la minima in posizione 3.

3. Regolare l'altezza appropriata, quindi fissare l'impugnatura inferiore con le manopole di blocco.



AVVERTENZA: Il lato destro e il lato sinistro dell'impugnatura inferiore devono essere regolati alla stessa altezza.

8. IMPUGNATURA DI AVVIAMENTO (Fig. 5)

Spostare l'impugnatura di avviamento dal motore alla guida della corda.

9. "2 IN 1"

9-1 REIMPOSTAZIONE PER LA RASATURA CON SCARICAMENTO LATERALE

1. Sollevare l'aletta laterale per scaricamento laterale. (Fig. 6A)
2. Montare la guida per scaricamento laterale sul perno di supporto dell'aletta laterale. (Fig. 6A, Fig. 6B)
3. Abbassare l'aletta laterale (l'aletta si trova sul canale di scarico). (Fig. 6C)



Eseguire l'operazione solo quando il motore è arrestato e la macchina non sta tagliando.

9-2 RASAERBA PER PACCIAMATURA

Che cos'è la pacciamatura

Durante la pacciamatura, l'erba viene tagliata in un singolo passaggio, quindi viene tritata finemente e riversata sulla striscia di terreno per essere usata come fertilizzante naturale.

Suggerimenti per la rasatura con pacciamatura:

- Taglio standard di max. 2 cm per altezza erba da 6 cm a 4 cm.
- Utilizzare una lama di taglio affilata.

- Non utilizzare il rasaerba sull'erba bagnata.
- Impostare il regime massimo del motore.
- Procedere esclusivamente al normale ritmo di lavoro.
- Pulire regolarmente il cuneo di pacciamatura, i lati interni dell'alloggiamento e la lama di rasatura.



AVVERTENZA: Eseguire l'operazione solo quando il motore è completamente spento e la lama è ferma.

1. Alzare l'aletta laterale e rimuoverla per scaricare il canale. (Fig. 7A, Fig. 7B)
 - L'aletta laterale chiude automaticamente l'apertura di scaricamento sull'alloggiamento grazie alla forza della molla.
 - Pulire regolarmente l'aletta laterale e l'apertura di scaricamento dall'erba residua e dalle incrostature di sporco.

10. ISTRUZIONI PER L'USO

10-1 PRIMA DELLA MESSA IN FUNZIONE

Rifornire il motore di benzina e olio come indicato nel manuale del motore in dotazione con il rasaerba. Leggere attentamente le istruzioni.



AVVERTENZA: La benzina è altamente infiammabile.

Conservare il carburante in contenitori progettati specificamente per questo scopo. Eseguire il rifornimento all'aperto, prima di avviare il motore, e non fumare durante il rifornimento o mentre si maneggia il carburante.

Non rimuovere il tappo del serbatoio di carburante e non aggiungere benzina mentre il motore è in funzione o se il motore è caldo.

In caso di fuoriuscite di benzina, non avviare il motore, ma allontanare la macchina dall'area della fuoriuscita ed evitare di creare fonti di accensione fino alla completa dissipazione dei vapori della benzina.

Riapplicare correttamente i tappi del serbatoio di carburante e del contenitore.

Prima di inclinare il rasaerba per eseguire la manutenzione della lama o per drenare l'olio, rimuovere il carburante dal serbatoio.



AVVERTENZA: Non riempire il serbatoio di carburante in ambienti chiusi, con il motore in funzione o se non sono trascorsi almeno 15 minuti dall'ultimo utilizzo per consentire il raffreddamento del motore.

10-2 AVVIARE IL MOTORE E INNESTARE LA LAMA

1. L'unità è dotata di un mantice in gomma all'estremità della candela; assicurarsi che l'anello in metallo all'estremità del filo della candela (all'interno del mantice in gomma) sia serrato correttamente sulla punta in metallo della candela.
- 2.1. Per PLM5121:
Per l'avvio a freddo o a caldo, portare l'impugnatura

di avviamento tra la posizione "☞" e la posizione "☛". Durante l'uso, portare l'impugnatura di avviamento in posizione "☛". (Fig. 8B)

- 2.2. Per PLM5120:
Per l'avvio a freddo, premere la pompa di innesco 3-5 volte prima di avviare il motore, portare l'impugnatura di avviamento in posizione "☛". Per l'avvio a caldo e durante l'uso, portare l'impugnatura di avviamento nella posizione "☛" (Fig. 8A, Fig. 8B)
3. Rimanendo dietro l'unità, afferrare l'impugnatura di comando del freno e tenerla contro l'impugnatura superiore, come mostrato nella Fig. 8C.
4. Afferrare l'impugnatura di avviamento come mostrato nella Fig. 8C e tirarla rapidamente verso l'alto. Riportarla lentamente verso il bullone della guida della corda dopo l'avviamento del motore. Rilasciare l'impugnatura di comando del freno per spegnere il motore e fermare la lama. (Fig. 8D)



Avviare attentamente il motore, attenendosi alle istruzioni e tenendo i piedi a distanza dalla lama.



Non inclinare il rasaerba durante l'avviamento del motore. Avviare il rasaerba su una superficie in piano, in cui non vi siano erba alta e ostacoli.



Tenere mani e piedi lontano dalle parti in rotazione. Non avviare il motore rimanendo in piedi davanti all'apertura di scarico.

10-3 PROCEDURE OPERATIVE

Durante l'uso, tenere saldamente l'impugnatura di comando del freno con entrambe le mani.



NOTA: Durante l'uso, se si rilascia l'impugnatura di comando del freno, il motore si spegne e il rasaerba smette di funzionare.

10-4 PER SPEGNERE IL MOTORE



ATTENZIONE: La lama continua a ruotare per qualche secondo dopo lo spegnimento del motore.

1. Rilasciare l'impugnatura di comando del freno per spegnere il motore e fermare la lama.
2. Per evitare l'avviamento accidentale dell'apparecchiatura incustodita, scollegare e collegare a terra il filo della candela, come indicato nel manuale del motore.

10-5 COLLEGAMENTO PER SEMOVENZA

Per PLM5121

Afferrando l'impugnatura di controllo semovenza, il rasaerba avanzerà automaticamente alla velocità di circa 3,6 km/h (Fig. 9); rilasciando l'impugnatura di semovenza, il rasaerba si fermerà.



ATTENZIONE: Il rasaerba è progettato per tagliare l'erba di un normale prato domestico di altezza non superiore ai 250 mm.

Non tentare di utilizzare su erba, asciutta o bagnata, particolarmente alta (ad esempio, foraggio) o su cumuli di foglie secche. I residui possono accumularsi sul corpo del rasaerba o venire a contatto con i gas di scarico del motore, con conseguente pericolo di incendio.

10-6 PER MIGLIORI RISULTATI DURANTE LA RASATURA

Eliminare eventuali detriti dal prato. Assicurarsi che sul prato non siano presenti pietre, bastoni, fili o altri corpi estranei che potrebbero essere accidentalmente scagliati dal rasaerba in qualsiasi direzione, causando gravi infortuni all'operatore e ad altre persone, nonché danni alle cose e agli oggetti circostanti. Non tagliare l'erba bagnata. Per una rasatura efficace, evitare di tagliare l'erba bagnata che tende ad aderire alla parte inferiore del corpo della macchina, impedendo una corretta rasatura dell'erba tagliata. Non tagliare l'erba per più di 1/3 della sua lunghezza. La profondità di taglio consigliata per la rasatura è pari a 1/3 della lunghezza dell'erba. La velocità a terra deve essere regolata in modo che l'erba tagliata possa spargersi in modo uniforme sul prato. Per il taglio di erba particolarmente spessa potrebbe essere necessario utilizzare una delle velocità più basse per ottenere una rasatura corretta. Durante la rasatura di erba lunga, potrebbe essere necessario tagliare il prato in due passaggi, abbassando la lama di un altro terzo della lunghezza dell'erba per il secondo taglio e magari procedendo in una direzione diversa rispetto al primo taglio. Sovrapporre leggermente il taglio ad ogni passaggio per ripulire eventuali frammenti rimasti sul prato. Il rasaerba deve essere sempre utilizzato alla massima accelerazione per ottenere il taglio migliore e consentire una rasatura efficace. Pulire la parte inferiore del corpo della macchina. Pulire la parte inferiore del corpo di taglio dopo ogni utilizzo per evitare accumuli d'erba che impedirebbero una pacciamatura corretta. Rasatura di foglie. Anche la rasatura delle foglie può risultare vantaggiosa per il prato. Durante questo tipo di rasatura, assicurarsi che le foglie siano asciutte e che lo strato sul prato non sia troppo spesso. Non attendere la caduta di tutte le foglie dagli alberi prima di eseguire la rasatura.



AVVERTENZA: Nel caso venisse colpito un corpo estraneo, spegnere il motore, staccare il filo della candela, ispezionare scrupolosamente il rasaerba alla ricerca di danni ed eventualmente riparare il danno prima di rimettere in funzione il rasaerba. Un'eccessiva vibrazione del rasaerba durante l'uso è indice di danni. L'unità deve essere prontamente ispezionata e riparata.

10-7 CORPO

Il lato inferiore del corpo del rasaerba deve essere pulito dopo ogni utilizzo per evitare l'accumulo di frammenti di erba, foglie, sporcizia e altri corpi estranei. Un accumulo di residui può portare alla ruggine e alla corrosione, impedendo una corretta pacciamatura. Il corpo può essere pulito inclinando il rasaerba e raschiandolo con un

coltello adatto (assicurarsi che il filo della candela sia scollegato).

11. ISTRUZIONI PER LA MANUTENZIONE

CANDELA

Sostituire solo con candele originali. Per i migliori risultati, sostituire la candele ogni 100 ore di funzionamento

12. ISTRUZIONI PER LA LUBRIFICAZIONE



ATTENZIONE: SCOLLEGARE LA CANDELA PRIMA DI ESEGUIRE LA MANUTENZIONE.

1. RUOTE - Lubrificare i cuscinetti a sfera di ogni ruota almeno una volta per stagione, utilizzando un olio leggero.
2. MOTORE - Attenersi alle istruzioni per la lubrificazione nel manuale del motore.
3. CONTROLLO DELLA LAMA - Lubrificare i perni sull'impugnatura di controllo della lama e il cavo del freno almeno una volta per stagione, utilizzando un olio leggero. Il controllo della lama deve funzionare liberamente in entrambe le direzioni.

13. PULIZIA



ATTENZIONE: Non lavare il motore. L'acqua può danneggiare il motore o contaminare l'impianto di combustione.

1. Pulire il corpo con un panno asciutto.
2. Lavare la parte inferiore del corpo inclinando il rasaerba in modo che la candela sia in alto.

13-1 FILTRO DELL'ARIA DEL MOTORE



ATTENZIONE: Evitare che sporcizia e polvere ostruiscano l'elemento in gommapiuma del filtro dell'aria. Il filtro dell'aria del motore deve essere sottoposto a manutenzione (pulizia) ogni 25 ore di rasatura normale. L'elemento in gommapiuma deve essere sottoposto a manutenzione periodica se il rasaerba è utilizzato in ambienti asciutti molto polverosi (Consultare il MANUALE DEL MOTORE).

PER PULIRE IL FILTRO DELL'ARIA

1. Rimuovere le vite. (Fig. 10A, Fig. 10B)
2. Rimuovere il coperchio.
3. Lavare l'elemento filtrante in acqua e sapone. **NON UTILIZZARE BENZINA.**
4. Lasciare asciugare all'aria l'elemento filtrante.
5. Versare alcune gocce di olio SAE30 sul filtro in gommapiuma e strizzarlo bene per rimuovere l'olio in eccesso.
6. Riapplicare il filtro.



NOTA: Il filtro deve essere sostituito se è sfilacciato, lacerato, danneggiato o se non può essere pulito

13-2 LAMA DI TAGLIO



ATTENZIONE: Per evitare l'avvio accidentale del motore, staccare e collegare a terra il filo della candela prima di intervenire sulla lama di taglio. Proteggere le mani utilizzando guanti spessi o stracci per afferrare le lame di taglio. Inclinare il rasoerba come specificato nel manuale del motore. Rimuovere il bullone esagonale e la rondella che fissano la lama e l'adattatore della lama all'albero a gomiti del motore. Rimuovere la lama e l'adattatore dall'albero a gomiti.



AVVERTENZA: Ispezionare periodicamente l'adattatore della lama per ricercare eventuali crepe, in particolare se è stato colpito un corpo estraneo. Sostituire se necessario.

Per i migliori risultati la lama deve essere affilata. Per affilare la lama è possibile rimuoverla e molare o limare il tagliente mantenendo il più possibile la smussatura originale. È particolarmente importante che ogni tagliente riceva una molatura identica per evitare che la lama non sia bilanciata. Un'equilibratura errata della lama può comportare la comparsa di vibrazioni eccessive in grado di danneggiare il motore e il rasoerba. Bilanciare attentamente la lama dopo l'affilatura. L'equilibratura della lama può essere verificata bilanciandola su un cacciavite a manico rotondo. Rimuovere il metallo dal lato più pesante fino a ottenere l'equilibrio. Prima di rimontare la lama e l'adattatore della lama sull'unità, lubrificare l'albero a gomiti del motore e la superficie interna dell'adattatore della lama con olio leggero. Inserire l'adattatore della lama sull'albero a gomiti. Vedere la **Fig. 11**. Posizionare la lama con il numero di componente rivolto nella direzione opposta rispetto all'adattatore. Allineare la rondella alla lama e inserire il bullone esagonale. Serrare il bullone esagonale alla coppia riportata di seguito:

13-3 COPPIA DI MONTAGGIO DELLA LAMA

Bullone centrale 40Nm-50Nm, per assicurare un funzionamento sicuro dell'unità. È necessario controllare periodicamente TUTTI i dadi e i bulloni per verificare che siano serrati correttamente.

A seguito di un uso prolungato, in particolare se il terreno è sabbioso, la lama si usura e perde la sua forma originale. L'efficienza di taglio si riduce ed è necessario sostituire la lama. Eseguire la sostituzione solo con una lama approvata dalla fabbrica. Eventuali danni derivanti da una condizione di squilibrio della lama non potranno essere imputati al produttore.

Durante la sostituzione della lama, utilizzare il tipo originale indicato sulla lama stessa (MAKITA 263001826). Per ordinare la lama, rivolgersi al rivenditore di zona o contattare l'azienda.



AVVERTENZA: Non toccare le lame in rotazione.

13-4 MOTORE

Consultare il manuale del motore per avere istruzioni sulla manutenzione del motore.

Eseguire la manutenzione dell'olio motore come indicato nel manuale del motore in dotazione con l'unità. Leggere e seguire attentamente le istruzioni.

In condizioni normali, eseguire la manutenzione del filtro dell'aria come indicato nel manuale del motore.

Eseguire la pulizia ogni poche ore in ambienti particolarmente polverosi. La riduzione delle prestazioni del motore e l'ingolfamento solitamente indicano la necessità di procedere alla manutenzione del filtro dell'aria.

Per eseguire la manutenzione del filtro dell'aria, consultare il manuale del motore in dotazione con l'unità.

Una volta per stagione è necessario pulire la candela e ripristinare il gap. Si consiglia di sostituire la candela all'inizio di ogni stagione di rasatura; consultare il manuale del motore per conoscere il tipo di candela necessario e le specifiche sul gap.

Pulire regolarmente il motore con un panno o un pennello.

Mantenere pulito l'impianto di raffreddamento (area di alloggiamento del soffiante) per consentire una corretta ventilazione, fondamentale per le prestazioni e la durata del motore. Rimuovere tutta l'erba, la sporcizia e i residui combustibili dall'area della marmitta.

14. ISTRUZIONI PER LA CONSERVAZIONE (FUORI STAGIONE)

Eseguire le operazioni indicate di seguito per preparare il rasoerba prima di riporlo.

1. Svuotare il serbatoio dopo l'ultima rasatura di stagione.
 - a) Svuotare il serbatoio della benzina con una pompa aspirante.



ATTENZIONE: Non svuotare il serbatoio della benzina in ambienti chiusi, in prossimità di fiamme libere, ecc. Non fumare. I vapori della benzina possono causare incendi o esplosioni.

- b) Avviare il motore e lasciarlo acceso fino a consumare tutta la benzina residua, facendolo entrare in stallo.
- c) Staccare la candela. Versare da una lattina circa 20 ml d'olio nella camera di combustione. Azionare il motorino di avviamento per distribuire uniformemente l'olio nella camera di combustione. Sostituire la candela.
2. Pulire e ingrassare il rasoerba con attenzione, come descritto precedentemente nella sezione "Lubrificazione".
3. Ingrassare leggermente la lama per prevenire la corrosione.
4. Riporre il rasoerba in un luogo asciutto, pulito e al riparo dal gelo, fuori dalla portata di persone non autorizzate.



ATTENZIONE: Prima di riporre il rasaerba, lasciar raffreddare completamente il motore.



NOTA:

- Durante la conservazione di qualsiasi tipo di apparecchiatura elettrica in un ambiente non ventilato o in una rimessa per materiali, prendere le precauzioni necessarie per impedire la comparsa di ruggine sull'apparecchiatura. Rivestire l'apparecchiatura con un olio leggero o con del silicone, prestando particolare attenzione ai cavi e a tutte le parti in movimento.
- Evitare di piegare o attorcigliare i cavi.
- Se la corda di avviamento si stacca dalla guida della corda sull'impugnatura, scollegare e collegare a terra il filo della candela, premere l'impugnatura di controllo della lama ed estrarre lentamente la corda di avviamento dal motore. Inserire la corda di avviamento nel bullone della guida della corda sull'impugnatura.

Trasporto

Spegnere il motore. Assicurarsi di non piegare o danneggiare la lama quando si spinge il rasaerba sopra degli ostacoli.

15. RISOLUZIONE DEI PROBLEMI

PROBLEMA	CAUSA PROBABILE	INTERVENTO RISOLUTIVO
Il motore non si avvia.	La leva di regolazione dell'acceleratore non è in posizione corretta per le condizioni dominanti.	Spostare la leva di regolazione dell'acceleratore nella posizione corretta.
	Il serbatoio di carburante è vuoto.	Riempire il serbatoio di carburante: consultare il MANUALE DEL MOTORE.
	Il filtro dell'aria è sporco.	Pulire il filtro dell'aria: consultare il MANUALE DEL MOTORE.
	La candela è allentata.	Serrare la candela a 25-30 Nm.
	Il filo della candela è allentato o scollegato dalla candela.	Collegare il filo della candela alla candele.
	Il gap della candela non è corretto.	Impostare il gap tra gli elettrodi su una distanza compresa tra 0,7 e 0,8 mm.
	La candela è difettosa.	Installare una candela nuova, con un'apertura corretta: consultare il MANUALE DEL MOTORE.
	Il carburatore è ingolfato dal carburante.	Rimuovere il filtro dell'aria e tirare la corda di avviamento in modo continuo fino a pulire il carburatore, quindi inserire nuovamente il filtro dell'aria.
Il motore si avvia con difficoltà o perde potenza.	Il modulo di accensione è difettoso.	Contattare l'addetto all'assistenza.
	Nel serbatoio di carburante sono presenti sporcizia, acqua o residui stantii.	Drenare il carburante e pulire il serbatoio. Riempire il serbatoio con carburante nuovo.
	L'apertura di ventilazione nel tappo del serbatoio di carburante è ostruita.	Pulire o sostituire il tappo del serbatoio di carburante.
Il motore funziona in modo incostante.	Il filtro dell'aria è sporco.	Pulire il filtro dell'aria.
	La candela è difettosa.	Installare una candela nuova, con un'apertura corretta: consultare il MANUALE DEL MOTORE.
	Il gap della candela non è corretto.	Impostare il gap tra gli elettrodi su una distanza compresa tra 0,7 e 0,8 mm.
Il minimo del motore è insufficiente.	Il filtro dell'aria è sporco.	Pulire il filtro dell'aria: consultare il MANUALE DEL MOTORE.
	Le aperture di ventilazione nel pannello del motore sono ostruite.	Rimuovere i residui dalle aperture.
	Le alette di raffreddamento e le aperture di ventilazione sotto l'alloggiamento del soffiante del motore sono bloccate.	Rimuovere i residui dalle alette di raffreddamento e dalle aperture di ventilazione.
Il motore salta a velocità elevate.	Il gap tra gli elettrodi della candela è troppo basso.	Impostare il gap tra gli elettrodi su una distanza compresa tra 0,7 e 0,8 mm.
Il motore si surriscalda.	Il flusso dell'aria di raffreddamento è limitato.	Rimuovere eventuali residui dalle aperture dei pannelli, dall'alloggiamento del soffiante e dalle aperture di ventilazione.
	La candela non è corretta.	Inserire una candela RJ19LMC con alette di raffreddamento sul motore.
Il rasoerba vibra in modo anomalo.	Il gruppo di taglio è allentato.	Serrare la lama.
	Il gruppo di taglio è sbilanciato.	Equilibrare la lama.

16. GARANZIA

Questo prodotto è garantito in base alle disposizioni giuridiche per un periodo di 12 mesi a partire dalla data di acquisto da parte del primo utente.

La presente garanzia copre tutti i difetti rilevanti o di produzione; non comprende i danni di pezzi normalmente soggetti a usura e rottura, come cuscinetti, spazzole, cavi, spine o accessori come trapani, punte, lame, ecc, danni o

difetti derivanti da un uso scorretto, incidenti o alterazioni, né i costi di trasporto.

Il produttore si riserva il diritto di rifiutare qualsiasi reclamo in cui l'acquisto non possa essere verificato o quando è chiaro che il prodotto non sia stato mantenuto correttamente (fessure di ventilazione pulite, spazzole al carbonio sottoposte a manutenzione periodica, ecc.)
Lo scontrino deve essere conservato come prova della data di acquisto.

Lo strumento deve essere restituito al rivenditore non smontato, in condizioni di pulizia accettabili, nella sua custodia originale modellata ad aria se applicabile all'unità, accompagnato dalla prova di acquisto.

Modello: PLM5121

Livello di potenza acustica misurato: 92,4 dB (A)

Livello di potenza acustica garantito: 98 dB (A)

30.11.2011



Tomoyasu Kato
Direttore

Makita Corporation
3-11-8, Sumiyoshi-cho,
Anjo, Aichi, JAPAN

17. AMBIENTE

Se dopo un uso prolungato fosse necessario sostituire la macchina, non gettarla nei rifiuti domestici ma smaltirla in maniera ecocompatibile.

18. DICHIARAZIONE DI CONFORMITÀ CE

(Solo per i paesi europei)

Makita Corporation, in qualità di produttore responsabile, dichiara che le macchine Makita indicate di seguito:

Denominazione della macchina: Rasaerba con motore a benzina

N. modello / Tipo: PLM5120, PLM5121

Caratteristiche tecniche: Vedere "4. DATI TECNICI" appartengono a una produzione in serie e sono

conformi alle seguenti direttive europee:

2004/108/EC, 2006/42/EC, 2000/14/EC&2005/88/EC

Sono inoltre prodotti in conformità con le normative o i documenti standardizzati riportati di seguito:

EN ISO 14982, EN836

La documentazione tecnica è conservata dal rappresentante autorizzato in Europa, vale a dire:

Makita International Europe Ltd.

Michigan Drive, Tongwell,

Milton Keynes, Bucks MK15 8JD, Inghilterra

La procedura di valutazione della conformità richiesta dalla direttiva 2000/14/EC è stata effettuata secondo quanto specificato nell'allegato V.

Ente competente:

TÜV SÜD Industrie Service GmbH

Westendstraße 199, 80686 München, Germania

Numero identificativo: 0036

Modello: PLM5120

Livello di potenza acustica misurato: 92,3 dB (A)

Livello di potenza acustica garantito: 98 dB (A)

Verklaring van het onderdelenoverzicht

1. Remhendel	7. Snoerklem	13. Olievuldop
2. Bovenste handgreep	8. Maaihoogteregelhefboom	14. Trekstarthandgreep
3. Aandrijfhendel	9. Maaidek	15. Bout
4. Chokehendel	10. Zijklep	16. Ring
5. Koordgeleider	11. Bougie	17. Brandstofhandpomp
6. Vergrendelknop	12. Brandstoftankdop	18. Schroef



WAARSCHUWING:

Lees, voor uw eigen veiligheid, deze gebruiksaanwijzing voordat u uw nieuwe gereedschap gaat gebruiken. Als de aanwijzingen niet worden nageleefd kan dat tot ernstig persoonlijk letsel leiden. Besteed voor elk gebruik enige tijd om uzelf vertrouwd te maken met de grasmaaier.



Let op: Motor is heet.

1. VERKLARING VAN DE SYMBOLEN OP HET PRODUCT



Lees de gebruiksaanwijzing.



Houd omstanders uit de buurt.



Besteed als gebruiker extra aandacht aan handen en voeten om letsel te voorkomen.



Benzine is brandbaar, blijf uit de buurt van open vuur. Als de motor draait mag geen benzine worden bijgevuld.



Giftige dampen! Niet binnenshuis gebruiken.



Draag ter bescherming van de gebruiker tijdens het maaien een veiligheidsbril en gehoorbescherming.



Maak de bougiekabel los voordat u reparaties, zoals beschreven in de gebruiksaanwijzing, uitvoert.

2. ALGEMENE VEILIGHEIDSVOORSCHRIFTEN



WAARSCHUWING: Bij gebruik van gereedschap met een verbrandingsmotor moeten altijd de algemene veiligheidsvoorzieningen worden opgevolgd om het risico van ernstig persoonlijk letsel en/of schade aan het gereedschap te verminderen. Lees deze gebruiksaanwijzing voordat u deze grasmaaier gaat gebruiken en bewaar deze gebruiksaanwijzing om hem later te kunnen raadplegen.



WAARSCHUWING: Dit gereedschap produceert tijdens gebruik een elektromagnetisch veld. Dit veld kan onder bepaalde omstandigheden de werking van actieve of passieve medische implantaten hinderen. Om het risico van ernstig persoonlijk en fataal letsel te verminderen, adviseren wij personen met medische implantaten hun arts en de fabrikant van het implantaat te raadplegen alvorens dit gereedschap te bedienen.

Aanwijzingen

- Lees de gebruiksaanwijzingen zorgvuldig. Zorg dat u vertrouwd bent met de bedieningsknoppen en de juiste omgang met het gereedschap.
- Laat in geen geval kinderen of personen die deze gebruiksaanwijzing niet gelezen hebben de grasmaaier gebruiken. De leeftijd van de gebruiker kan landelijk gereguleerd zijn.
- Gebruik de grasmaaier in geen geval als er personen, met name kinderen of dieren in de buurt zijn.
- Denk eraan dat de bediener of gebruiker van de grasmaaier aansprakelijk is voor ongevallen en onvoorziene gebeurtenissen die personen of hun eigendommen kunnen overkomen.

Vorbereidingen

- Draag tijdens het maaien altijd stevige schoenen en een lange broek. Gebruik de grasmaaier niet met blote voeten of met open sandalen.
- Controleer het gehele terrein dat u wilt maaien grondig en verwijder alles wat door het gereedschap kan worden weggeslingerd.
- **WAARSCHUWING** - Benzine is bijzonder brandbaar.

- Bewaar brandstof in speciaal daarvoor bestemde jerrycans.
 - Vul alleen benzine bij in de open lucht en rook daarbij niet.
 - Vul benzine bij voordat u de motor start. Verwijder nooit de brandstofvuldop en vul nooit benzine bij terwijl de motor draait of wanneer de motor warm is.
 - Als benzine wordt gemorst, mag u niet proberen de motor te starten, maar moet de grasmaaier worden verwijderd van de plaats waar de benzine gemorst is, en mag de motor niet worden gestart voordat de benzine verdampt is.
 - Plaats de doppen stevig terug op de brandstoftank en jerrycan.
 - Vervang defecte geluiddempers.
 - Voer vóór gebruik altijd een visuele controle uit of het maaimes, de mesbout of het maimechanisme versleten of beschadigd is. Vervang het versleten of beschadigd maaimes en mesbout altijd samen, om onbalans te voorkomen.
- Voordat u een verstuiving opheft of voordat u het uitwerpkanaal leegt.
 - Voordat u de grasmaaier controleert, reinigt of er werkzaamheden aan gaat verrichten.
 - Na het raken van een vreemd voorwerp. Controleer of de grasmaaier beschadigd is en laat deze indien nodig repareren voordat u de grasmaaier opnieuw gaat starten en gebruiken.
 - Als de grasmaaier op ongebruikelijke manier begint te trillen (onmiddellijk controleren).
- Schakel de motor uit en maak de bougiekabel los, wacht tot de draaiende delen volledig tot stilstand zijn gekomen en, indien aanwezig, verwijder de sleutel.
 - Iedere keer als u de grasmaaier onbeheerd achterlaat.
 - Voordat u brandstof bijvult.
 - Zet de gashendel terug vóórdat u de motor uitschakelt en indien de motor is voorzien van een brandstofkraan, moet deze na het maaien worden dicht gezet.

Onderhoud en opslag

- Zorg ervoor dat alle bouten en de schroeven stevig vastgedraaid zijn om er zeker van te zijn dat het gereedschap altijd op een veilige manier gebruiksklaar is.
- Zet de grasmaaier niet met brandstof in de brandstoftank in een ruimte waar de brandstofdampen in aanraking kunnen komen met vlammen of vonken.
- Laat de motor afkoelen vóórdat u de grasmaaier opbergt.
- Om het brandgevaar zoveel mogelijk te beperken moet u de motor, de geluiddemper, de accubak en de brandstoftank vrijhouden van gras, bladeren of overtollig vet.
- Controleer regelmatig de grasopvangzak op slijtage en beschadigingen.
- Vervang veiligheidshalve versleten of beschadigde delen.
- Als de brandstoftank moet worden geleegd, moet u dit in de open lucht doen.



WAARSCHUWING: Raak het draaiende maaimes niet aan.



WAARSCHUWING: Vul de brandstoftank bij in een goed geventileerde ruimte terwijl de motor is uitgeschakeld.

3. BESCHRIJVING VAN DE ONDERDELEN (zie afb. 1A en 1B)

Bijgeleverd:

A: Bougiesleutel

B: Uitwerpkanaal

Bediening

- Laat de verbrandingsmotor niet draaien in een gesloten ruimte waarin gevaarlijke koolmonoxidedampen zich kunnen ophopen.
- Werk alleen bij daglicht of bij goed kunstlicht.
- Gebruik de grasmaaier bij voorkeur niet wanneer het gras nat is.
- Zorg er op een helling altijd voor dat u stevig staat.
- Loop rustig, nooit te snel.
- Maai met cirkelmaaiers met wielen een helling altijd in de dwarsrichting en nooit van boven naar beneden.
- Ga altijd uiterst voorzichtig te werk bij het veranderen van richting op een helling.
- Maai niet op bijzonder steile hellingen.
- Pas goed op als u de grasmaaier achteruit laat rijden of naar u toe haalt.
- Het maaimes moet stilstaan wanneer de grasmaaier bij het vervoeren moet worden gekanteld, wanneer de grasmaaier over een oppervlak waar geen gras groeit moet worden verplaatst en bij het vervoer naar en van een te maaien gedeelte.
- Gebruik de grasmaaier nooit met defecte afschermingen of zonder veiligheidsvoorzieningen zoals een achterklep en/of grasopvangzak.
- Verander de regelafstellingen van de motor niet en laat het toerental van de motor niet buitengewoon hoog oplopen.
- Schakel alle maaimessen en de aandrijving uit voordat u de motor start.
- Start de motor zorgvuldig zoals aangegeven in de gebruiksaanwijzing en blijf met uw voeten steeds op voldoende afstand van het maaimes.
- Tijdens het starten van de motor mag de grasmaaier niet worden gekanteld.
- Start de motor niet als u voor het uitwerpkanaal staat.
- Kom niet met uw handen of voeten in de buurt van of onder draaiende delen. Blijf altijd uit de buurt van de uitwerpopening.
- De grasmaaier nooit optillen of dragen wanneer de motor loopt.
- Schakel de motor uit en maak de bougiekabel los, wacht tot de draaiende delen volledig tot stilstand zijn gekomen en, indien aanwezig, verwijder de sleutel.

4. TECHNISCHE GEGEVENS

Model	PLM5121	PLM5120
Motortype	B&S675EX-serie, ReadyStart, 126T	B&S625E-serie, 122T
Zelfrijdend	Ja	Nee
Cilinderinhoud	190 cm ³	190 cm ³
Maaibreedte	510 mm	510 mm
Nominaal toerental	2.800/min	2.800/min
Inhoud brandstoftank	1,0 liter	1,0 liter
Nettogewicht	31,7 kg	28 kg
Maaihogteregeling:	25-70 mm, 5 stappen	
L _{PA} (SPL) ter plaatse van de gebruiker (k = 3 dB (A))	79,2 dB (A)	78,9 dB (A)
Gegarandeerd geluidsvermogensniveau L _{WA}	98 dB (A)	98 dB (A)
Trillingen (k = 1,5 m/s ²)	2,305 m/s ²	2,056 m/s ²

5. DE ONDERDELEN MONTEREN

5-1 DE INKLAPBARE HANDGREEP MONTEREN

1. Bevestig het onderste gedeelte van de handgreep aan het chassis met de vergrendelknoppen, zoals afgebeeld (zie afb. 2A, afb. 2B, afb. 2C en afb. 2D).
2. Zet de bovenste handgreep op de onderste handgreep vast met de vergrendelknop (zie afb. 2E, afb. 2F en afb. 2G).
3. Bevestig de snoerklem op de aangegeven plaats en maak daarna het snoer vast (zie afb. 2H).

6. MAAIHOOGTE INSTELLEN

Duw de hefboom naar buiten om hem uit de huidige stand te halen. Beweeg de hefboom naar voren of achteren om de maaihogte in te stellen.

De hoogte (van maaimes tot grond) kan worden ingesteld van 25 mm (stand 1: de laagste stand) tot 70 mm (stand 5: de hoogste stand) in 5 hoogtestanden. (zie afb. 3A en afb. 3B).

Schakel de grasmaaier uit en maak de bougiekabel los voordat u de maaihogte verandert.



WAARSCHUWING: Wijzig de instelling alleen als het maaimes stil staat.

7. DE BEDIENINGSHOOGTE INSTELLEN (zie afb. 4A en afb. 4B)

1. Draai de vergrendelknoppen los waarmee de onderste handgreep is bevestigd (zie afb. 4A).
 2. Beweeg de onderste handgreep omhoog of omlaag om de gewenste bedieningshoogte in te stellen (zie afb. 4B).
- Er zijn 3 instelhoogten waaruit kan worden gekozen op dit type grasmaaier, waarbij instelling 1 de hoogste stand is en instelling 3 de laagste stand is.

3. Stel de gewenste bedieningshoogte in en zet daarna de onderste handgreep vast met de vergrendelknoppen.



WAARSCHUWING: De linker- en rechterkant van de onderste handgreep moeten op dezelfde hoogtestand worden ingesteld.

8. TREKSTARHANDGREEP (zie afb. 5)

Verplaats de trekstarhandgreep van de motor naar de koordgeleider.

9. "2-IN-1"

9-1 INSTELLEN OP MAAIEN MET ZIJUITWORP

1. Til de zijklep voor zijuitworp op (zie afb. 6A).
2. Monteer de zijuitworpgeleider op de bevestigingspen van de zijklep (zie afb. 6A en afb. 6B).
3. Laat de zijklep zakken tot op het zijuitworpkanaal (zie afb. 6C).



WAARSCHUWING: Alleen met een uitgeschakelde motor en stilstaand maaimes.

9-2 MULCHMAAIER

Wat is mulchen?

Bij mulchen wordt het gras eerst gemaaid, vervolgens uiterst fijn versnipperd, en tenslotte in het gras teruggeblazen als natuurlijke meststof.

Tips voor mulchmaaien:

- Maai het gras regelmatig met maximaal 2 cm van 6 cm naar 4 cm grashoogte.
- Gebruik een scherp maaimes.
- Maai geen nat gras.
- Gebruik het maximale motortoerental.
- Duw de grasmaaier met een rustige werksnelheid.

- Maak regelmatig de mulztein, binnenzicht, binnenkant van de behuizing en het maaimes schoon.



WAARSCHUWING: Alleen met een uitgeschakelde motor en stilstaand maaimes.

1. Til de zijklep op om het zijuitworpkanaal te verwijderen (zie afb. 7A en afb. 7B).
 - Door veerkracht gaat de zijklep automatisch omlaag en zodat de zijuitworpopening in het maaidek wordt afgesloten.
 - Verwijder regelmatig grasresten en aangekoekt vuil vanaf de zijklep en vanuit de zijuitworpopening.

10. BEDIENINGSINSTRUCTIES

10-1 VOOR DE MOTOR TE STARTEN

Vul de brandstoftank en olietank bij zoals aangegeven in de aparte gebruiksaanwijzing voor de motor, die bij de grasmaaier is geleverd. Lees de gebruiksaanwijzingen zorgvuldig.



WAARSCHUWING: Benzine is bijzonder brandbaar.

Bewaar brandstof in speciaal daarvoor bestemde jerrycans.

Vul brandstof alleen bij in de open lucht en voordat de motor wordt gestart, en rook niet tijdens het bijvullen of hanteren van brandstof.

Verwijder nooit de brandstofvuldop en vul nooit benzine bij terwijl de motor draait of wanneer de motor warm is. Als brandstof is gemorst, mag u niet proberen de motor te starten, maar moet de grasmaaier worden verwijderd van de plaats waar de brandstof is gemorst, en mag de motor niet worden gestart voordat de brandstof verdampt is. Plaats de doppen stevig terug op de brandstoftank en jerrycan.

Voordat u de grasmaaier kantelt voor onderhoud van het maaimes of voor aftappen van de olie, moet u de brandstoftank volledig leegmaken.



WAARSCHUWING: In geen geval mag u brandstof bijvullen in een gebouw, terwijl de motor draait of als het afkoelen van de motor na draaien korter heeft geduurd dan 15 minuten.

10-2 DE MOTOR STARTEN EN HET MAAIMES INSCHAKELLEN

1. Bij deze grasmaaier zit het uiteinde van de bougie een rubberen mof. Zorg ervoor dat de metalen huls aan het uiteinde van de bougiekabel (binnenin de rubberen mof) goed vastzit op de metalen elektrode van de bougie.
- 2.1. Voor PLM5121:
Bij het starten van een koude of warme motor, moet u de gas-chokehendel ergens tussen de stand "☞" en de stand "☞☛" zetten. Tijdens gebruik moet de gas-chokehendel in de stand "☞☛" staan (zie afb. 8B).

2.2. Voor PLM5120:

Bij het starten van een koude motor, moet u de brandstofhandpomp 3 tot 5 keer indrukken voordat u de motor start, en zet daarbij de gas-chokehendel in de stand "☞☛".

Bij het starten van een warme motor, moet u de gas-chokehendel in de stand "☞☛" zetten (zie afb. 8A en afb. 8B).

3. U gaat achter het gereedschap staan, pakt de remhendel vast en houdt deze tegen de bovenste handgreep, zoals afgebeeld in **zie afb. 8C**.
4. Pak de trekstarthandgreep vast, zoals afgebeeld in **zie afb. 8C**, en trek deze snel naar u toe. Plaats de handgreep na het starten van de motor rustig terug tegen de koordgeleider.
Als u de remhendel loslaat, slaat de motor af en stopt het maaimes vanzelf (**zie afb. 8D**).



Start de motor zorgvuldig zoals aangegeven in de gebruiksaanwijzing en blijf met uw voeten steeds op voldoende afstand van het maaimes.



Tijdens het starten van de motor mag de grasmaaier niet worden gekanteld. Start de grasmaaier op een vlakke ondergrond zonder hoog gras of obstakels.



Houd uw handen en voeten uit de buurt van draaiende delen. Start de motor niet als u voor de uitworpopening staat.

10-3 TIJDENS HET GEBRUIK

Houd tijdens het gebruik de remhendel met beide handen stevig vast.



OPMERKING: Als u tijdens het gebruik de remhendel loslaat, zal de motor afslaan waardoor de grasmaaier stopt.

10-4 DE MOTOR STOPPEN



LET OP: Het maaimes draait na het uitschakelen van de motor nog enkele seconden door.

1. Als u de remhendel loslaat, slaat de motor af en stopt het maaimes vanzelf.
2. Maak de bougiekabel los en aard deze zoals aangegeven in de aparte gebruiksaanwijzing voor de motor om per ongeluk starten te voorkomen als de grasmaaier onbeheerd achtergelaten wordt.

10-5 ZELFAANDRIJVING

Voor PLM5121

Duw de aandrijfhendel tegen de bovenste handgreep, de grasmaaier begint automatisch naar voren te rijden met ongeveer 3,6 km/h (**zie afb. 9**). Laat de aandrijfhendel los en de grasmaaier stopt met rijden.




LET OP: Uw grasmaaier is bedoeld om normaal tuingras te maaien met een maximale lengte van 250 mm.

Probeer niet in onbruikbaarelijk hoog droog of nat gras (bijvoorbeeld een weiland) of een berg droge bladeren te maaien. Afval kan zich ophopen op het maaidek of in aanraking komen met de motoruitlaat waardoor mogelijk brandgevaar ontstaat.

10-6 VOOR HET BESTE MAAIRESULTAAT

Verwijder afval van het gazon. Zorg dat het gazon vrij is van stenen, stokken, draadstukken of andere vreemde voorwerpen die per ongeluk door de grasmaaier in alle richtingen weggeslingerd kunnen worden en niet alleen ernstig persoonlijk letsel voor de gebruiker of anderen, maar ook schade aan eigendommen en voorwerpen in de buurt tot gevolg kunnen hebben. Maai geen nat gras. Maaien gaat het best als het gras niet nat is omdat het anders aan de onderkant van het maaidek gaat plakken en daardoor het maaien wordt gehinderd. Maai niet meer dan 1/3 van de graslengte. Voor maaien wordt aangeraden het gras 1/3 van de lengte korter te maaien. De voorwaartse snelheid moet zodanig aangepast worden dat het versnipperde gras gelijkmatige over het gazon wordt verdeeld. Speciaal tijdens het zwaar maaien van dik gras kan het nodig zijn om de laagste snelheid te gebruiken om de grassprietten schoon en goed te maaien. Als het gras langer is kunt u het gazon in twee fasen maaien door de maaihoogte nog een keer met 1/3 van de graslengte te verlagen en misschien in een andere richting te maaien dan de eerste keer. Door toepassing van een kleine overlapping op elk maaipad kunt u de eventueel op het gazon achtergebleven grassprietten opruimen. De motor moet altijd op het hoogste toerental draaien voor het beste maaieresultaat en om zo effectief mogelijk te maaien. Maak de onderkant van het maaidek schoon. Zorg dat de onderkant van het maaidek na elk gebruik wordt schoongemaakt om ophoping van grasresten te voorkomen waardoor een goed mulchresultaat wordt gehinderd. Bladeren maaien. Het maaien van bladeren kan uw gazon ten goede komen. Als u bladeren gaat maaien, moet u zorgen dat ze droog zijn en niet in een dikke laag op het gazon liggen. Wacht niet tot alle bladeren van de bomen zijn gevallen voordat u gaat maaien.

 **WAARSCHUWING:** Schakel de motor uit na het raken van een vreemd voorwerp. Maak de bougiekabel los, controleer de grasmaaier grondig op beschadigingen en herstel de beschadiging voordat u de grasmaaier opnieuw gaat starten en gebruiken. Buitensporige trillingen in de grasmaaier kunnen op een beschadiging duiden. De grasmaaier moet onmiddellijk worden nagekeken en gerepareerd.

10-7 MAAID EK

De onderkant van het maaidek moet na elk gebruik worden schoongemaakt om ophoping van grasresten, bladeren, vuil of anders te voorkomen. Als dit vuil kan ophopen, krijgen roest en corrosie vrij baan en zal goed mulchen niet mogelijk zijn. Het maaidek kan schoongemaakt worden door de grasmaaier te kantelen en schoon te schrapen met een toepasselijk gereedschap (zorg dat de bougiekabel is losgemaakt).

11. ONDERHOUD

BOUGIE

Gebruik voor vervanging alleen originele bougies. Het beste is om de bougie na 100 bedrijfsuren te vervangen.

12. SMERING



LET OP: MAAK DE BOUGIEKABEL LOS VOORDAT U ONDERHOUDSWERKZAAMHEDEN GAAT UITVOEREN.

1. WIELEN - Smeer de kogellagers in elk wiel minstens een keer per seizoen met lichte olie.
2. MOTOR - Volg de aanwijzingen voor het smeren in de gebruiksaanwijzing voor de motor op.
3. REMHENDEL - Smeer de draaipunten van de stophandgreep en de stopkabel minstens een keer per seizoen met lichte olie. De remhendel moet ongehinderd heen en weer kunnen bewegen.

13. SCHOONMAKEN



LET OP: Spuit geen water op de motor. Water kan schade toebrengen aan de motor en het brandstofsysteem vervuilen.

1. Veeg het maaidek schoon met een droge doek.
2. Spuit de onderkant van het maaidek schoon nadat de grasmaaier zodanig is gekanteld dat de bougie naar boven is gericht.

13-1 MOTORLUCHTFILTER



LET OP: Zorg dat vuil of stof het schuimrubberen filterelement niet kan verstoppen. Het motorluchtfilterelement moet worden onderhouden (schoongemaakt) na 25 bedrijfsuren normaal maaien. Het schuimrubberen filterelement moet regelmatig schoongemaakt worden wanneer de grasmaaier onder droge en stoffige omstandigheden wordt gebruikt. (Raadpleeg de GEBUIKSAANWIJZING VOOR DE MOTOR.)

LUCHTFILTER SCHOONMAKEN

1. Verwijder de schroef (zie afb. 10A en afb. 10B).
2. Verwijder de bovenkap.
3. Was het filterelement met water en zeep. **GEBUIK GEEN BENZINE!**
4. Droog het element in de open lucht.
5. Plaats een paar druppels SAE30-olie op het schuimrubberen filterelement en knijp het stevig samen om het overschot aan olie te verwijderen.
6. Plaats het filter terug.



OPMERKING: Vervang het filter als het is gerafeld, gescheurd of beschadigd, of als het niet meer kan worden schoongemaakt.

13-2 MAAIMES



LET OP: Maak de bougiekabel los en aard deze voordat u aan het maaimes gaat werken om per ongeluk starten te voorkomen. Bescherm uw handen door werkhandschoenen te dragen of een doek te gebruiken als u het maaimes vastpakt. Kantel de grasmaaier zoals aangegeven in de aparte gebruiksaanwijzing voor de motor. Verwijder de zeskantbout en ring waarmee het maaimes en bijbehorende adapter op de uitgaande as van de motor zijn bevestigd. Verwijder het maaimes en de adapter vanaf de uitgaande as van de motor.



WAARSCHUWING: Controleer regelmatig de maaimesadapter op scheuren, vooral na het raken van een vreemd voorwerp. Vervang indien nodig. Voor het beste resultaat moet het maaimes scherp zijn. Het maaimes kan weer scherp worden gemaakt door het te verwijderen en de snijkant te slijpen of te vijlen, waarbij de originele snijhoek zo goed mogelijk gehandhaafd moet blijven. Het is uitermate belangrijk dat elke snijkant evenveel wordt geslepen om te voorkomen dat het maaimes in onbalans raakt. Een onjuiste balans van het maaimes veroorzaakt sterke trillingen dat weer kan leiden tot eventuele schade aan de motor en grasmaaier. Zorg dat het maaimes zorgvuldig uitgebalanceerd wordt na het slijpen. De balans van het maaimes kan worden gecontroleerd door het op de ronde steel van een schroevendraaier te balanceren. Verwijder een beetje materiaal van het zwaardere gedeelte totdat de balans weer is hersteld.

Voordat het maaimes en de adapter weer op de grasmaaier gemonteerd worden, smeert u de uitgaande as van de motor en de binnenkant van de maaimesadapter met een lichte olie. Monteer de maaimesadapter op de uitgaande as van de motor. Raadpleeg **afb. 11**. Monteer het maaimes met het onderdeelnummer afgekeerd van de adapter. Leg de ring op juiste wijze op het maaimes en steek de zeskantbout erdoor. Draai de zeskantbout vast met een draaikoppel, zoals hieronder aangegeven:

13-3 DRAAIKOPPEL VOOR MAAIMES

Draai de centrale bout aan met een koppel van 40 Nm tot 50 Nm om verzekerd te zijn van een veilige werking van het gereedschap. Alle moeren en bouten moeten regelmatig nagekeken worden of ze nog goed vastzitten. Na langdurig gebruik, vooral op ondergronden met veel zand, zal het maaimes slijten en zijn oorspronkelijke vorm verliezen. Het maaien gaat steeds slechter en het maaimes moet worden vervangen. Vervang het alleen met een origineel MAKITA-vervangingsonderdeel. De fabrikant is niet verantwoordelijk voor eventuele schade die veroorzaakt wordt door de onbalans van het maaimes. Bij vervanging van het maaimes moet u gebruikmaken een origineel vervangingsonderdeel waarvan het nummer is aangegeven op het maaimes (MAKITA 263001826) (het maaimes kunt u bestellen bij uw plaatselijke dealer of door telefonisch contact op te nemen met ons bedrijf).



WAARSCHUWING: Raak het draaiende maaimes niet aan.

13-4 MOTOR

Raadpleeg de aparte gebruiksaanwijzing voor de motor voor aanwijzingen met betrekking tot motoronderhoud. Behandel de motorolie zoals aangegeven in de aparte gebruiksaanwijzing voor de motor dat bij de grasmaaier is geleverd. Lees en volg de instructies zorgvuldig. Onderhoud onder normale omstandigheden het luchtfilter zoals aangegeven in de aparte gebruiksaanwijzing voor de motor.

Bij zeer stoffige omstandigheden moet het steeds na enkele uren schoongemaakt worden. Slechte motorprestaties en het verzuipen van de motor zijn meestal aanwijzingen dat het luchtfilter onderhouden moet worden.

Raadpleeg de aparte gebruiksaanwijzing voor de motor die bij de grasmaaier is geleverd, voor het onderhoud van het luchtfilter.

Een keer per seizoen moet de bougie worden schoongemaakt en de elektrodenafstand opnieuw worden ingesteld. Het wordt aangeraden om aan het begin van elk maaiseizoen de bougie te vervangen. Raadpleeg de aparte gebruiksaanwijzing voor de motor voor het juiste bougietype en specificatie van de elektrodenafstand. Maak de motor regelmatig schoon met een doek of borstel. Houd het koelsysteem (ventilatorbehuizing) schoon om een goede luchtcirculatie te realiseren die essentieel is voor het vermogen en de levensduur van de motor. Zorg dat al het gras, vuil en brandbare rommel rondom de geluidemper is verwijderd.

14. OPBERGEN (BUITEN HET SEIZOEN)

De volgende stappen moet u nemen om de grasmaaier voor te bereiden om hem op te bergen.

1. Maak de brandstoftank leeg na de laatste maaibeurt van een seizoen.
 - a) Maak de brandstoftank leeg met een zuigpomp.



LET OP: Tap de benzine niet af in een afgesloten vertrek, in de buurt van open vuur, terwijl u rookt, enz. Benzinedampen kunnen een explosie of brand veroorzaken.

- b) Start de motor en laat deze draaien tot alle resterende benzine is opgebruikt en afslaat.
 - c) Verwijder de bougie. Gebruik een oliekannetje om ongeveer 20 ml olie in de verbrandingskamer te gieten. Bedien de starter zodat de olie in de verbrandingskamer gelijkmatig wordt verdeeld. Plaats de bougie terug.
2. Reinig en smeer de grasmaaier zorgvuldig zoals hierboven beschreven onder "Smeren".
 3. Smeer het maaimes licht in om roesten te voorkomen.
 4. Berg de grasmaaier op in een droge, schone en vorstvrije ruimte, buiten het bereik van onbevoegde personen.



LET OP: De motor moet volledig afgekoeld zijn voordat u de grasmaaier mag opbergen.



OPMERKING:

- Bij opbergen van elk gereedschap met een verbrandingsmotor in een schuur die niet is geventileerd of waarin materialen worden opgeslagen, moet u zorgen dat het gereedschap tegen roest beschermd wordt. Smeer het gereedschap, met name de snoeren en alle bewegende delen, met een lichte olie of silicone.
- Pas op dat u de snoeren niet buigt of knikt.
- Als het startkoord is losgeschoten uit de koordgeleider op de handgreep, moet u de bougiekabel losmaken en aarden, de stophandgreep intrekken en het startkoord langzaam uit de motor trekken. Schuif het startkoord in de koordgeleider op de handgreep.

Vervoer

Schakel de motor uit. Zorg ervoor dat het maaimes niet wordt verbogen of beschadigd wanneer u de grasmaaier over obstakels duwt.

15. PROBLEMEN OPLOSSEN

PROBLEEM	MOGELIJKE OORZAAK	OPLOSSING
Motor start niet.	Gashendel staat in de huidige omstandigheden niet in de juiste stand.	Gashendel in de juiste stand duwen.
	Brandstoftank is leeg.	Vul de brandstoftank met brandstof: Raadpleeg de GEBRUIKSAANWIJZING VOOR DE MOTOR.
	Luchtfilterelement is vuil.	Luchtfilterelement schoonmaken: Raadpleeg de GEBRUIKSAANWIJZING VOOR DE MOTOR.
	Bougie zit los.	Bougie met een draaikoppel van 25 tot 30 Nm vastdraaien.
	Bougiekabel zit los of is losgeraakt van de bougie.	Bougiekabel op de bougie bevestigen.
	Elektrodenafstand van de bougie is niet correct.	Elektrodenafstand op 0,7 tot 0,8 mm instellen.
	Bougie is defect.	Nieuwe bougie met de juiste elektrodenafstand plaatsen: Raadpleeg de GEBRUIKSAANWIJZING VOOR DE MOTOR.
	Carburateur is verzopen met benzine.	Luchtfilterelement verwijderen, voortdurend aan het startkoord trekken totdat de carburateur leeg is en daarna een nieuw luchtfilterelement plaatsen.
Motor is moeilijk te starten of verliest vermogen.	Defecte ontstekingsmodule.	Neem contact op met een servicecentrum.
	Vuil, water of oude brandstof in de brandstoftank.	Tap de brandstoftank af en reinig deze. Vul de brandstoftank met schone, nieuwe brandstof.
	Het ventilatiegatje in de brandstoftankdop zit verstopt.	Reinig of vervang de brandstoftankdop.
Motor draait onregelmatig.	Luchtfilterelement is vuil.	Luchtfilterelement schoonmaken.
	Bougie is defect.	Nieuwe bougie met de juiste elektrodenafstand plaatsen: Raadpleeg de GEBRUIKSAANWIJZING VOOR DE MOTOR.
	Elektrodenafstand van de bougie is niet correct.	Elektrodenafstand op 0,7 tot 0,8 mm instellen.
Motor draait slecht stationair.	Luchtfilterelement is vuil.	Luchtfilterelement schoonmaken: Raadpleeg de GEBRUIKSAANWIJZING VOOR DE MOTOR.
	Luchtsleuven in de motorafdekking zijn verstopt.	Vuil uit de sleuven verwijderen.
	Koelribben en luchtwegen onder de ventilatorbehuizing van de motor zijn verstopt.	Vuil van de koelribben en luchtwegen verwijderen.
Motor slaat over bij een hoog toerental.	Afstand tussen elektroden van de bougie is te klein.	Elektrodenafstand op 0,7 tot 0,8 mm instellen.
Oververhitte motor.	Koelluchtstroom geblokkeerd.	Alle vuil uit de sleuven van de motorafdekking, ventilatorbehuizing en luchtwegen verwijderen.
	Bougie verkeerd.	RJ19LMC-bougie en koelribben op de motor monteren.
Grasmaaier trilt buitensporig.	Maaimes zit los.	Maaimes vastzetten.
	Maaimes is in onbalans.	Maaimes uitbalanceren.

16. GARANTIE

Op dit product wordt garantie gegeven in overeenstemming met de wettelijke regelgeving gedurende een periode van 12 maanden die ingaat op de dag van aanschaf door de eerste gebruiker. Deze garantie dekt alle materiaal- en productiefouten, maar niet de defecten als gevolg van normale slijtageden, zoals lagers, borstels, kabels, stekkers en

accessoires zoals boren, boorbits, zaagbladen, enz., niet de schade en defecten als gevolg van misbruik, ongelukken en wijzigingen, en niet de kosten van verzending.

Wij behouden het recht voor een garantieclaim af te wijzen in het geval de aanschaf niet kan worden geverifieerd of het duidelijk is dat het product niet naar behoren is onderhouden (schone ventilatieopeningen, regelmatig onderhouden koolborstels).

De kassabon moet worden bewaard als bewijs van de aanschafdatum.

Uw niet-gedemonteerde gereedschap moet in redelijk schone toestand worden geretourneerd naar uw dealer in zijn oorspronkelijke, blaasgevormde koffer, indien van toepassing op het product, vergezeld van het bewijs van aanschaf.

17. MILIEU

Wanneer uw gereedschap na langdurig gebruik vervangen moet worden, moet u het niet bij het huisvuil zetten, maar moet u het op een milieuverantwoorde wijze verwerken.

18. EU-VERKLARING VAN CONFORMITEIT

(Alleen voor Europese landen)

Wij, Makita Corporation, als de verantwoordelijke fabrikant, verklaren dat de volgende Makita-machine(s):

Aanduiding van de machine: Grasmaaier met benzinemotor

Modelnr./Type: PLM5120 en PLM5121

Technische gegevens: Zie "4. TECHNISCHE GEGEVENS"

in serie zijn geproduceerd en

Voldoen aan de volgende Europese richtlijnen:

2004/108/EC, 2006/42/EC,

2000/14/EC en 2005/88/EC

En zijn gefabriceerd in overeenstemming met de volgende normen of genormaliseerd document:

EN ISO 14982, EN836

De technische documentatie wordt bewaard door onze erkende vertegenwoordigers in Europa, te weten:

Makita International Europe Ltd.

Michigan Drive, Tongwell,

Milton Keynes, Bucks MK15 8JD, Engeland

De conformiteitsbeoordelingsprocedure vereist door

Richtlijn 2000/14/EC was in Overeenstemming met Annex V.

Officiële instantie:

TÜV SÜD Industrie Service GmbH

Westendstraße 199, 80686 München, Duitsland

Identificatienummer: 0036

Model: PLM5120

Gemeten geluidsvermogeniveau: 92,3 dB (A)

Gegarandeerd geluidsvermogeniveau: 98 dB (A)

Model: PLM5121

Gemeten geluidsvermogeniveau: 92,4 dB (A)

Gegarandeerd geluidsvermogeniveau: 98 dB (A)

30.11.2011



Tomoyasu Kato
Directeur

Makita Corporation
3-11-8, Sumiyoshi-cho,
Anjo, Aichi, JAPAN

Explicación de los dibujos

- | | | |
|---------------------------------------|--------------------------------|---------------------------------|
| 1. Mango de control de los frenos | 7. Acoplamiento del cable | 14. Mango del motor de arranque |
| 2. Mango superior | 8. Palanca de ajuste de altura | 15. Perno |
| 3. Mango de control de autopropulsión | 9. Cubierta | 16. Arandela |
| 4. Palanca del estrangulador | 10. Tapa lateral | 17. Cebador |
| 5. Guía de la cuerda | 11. Bujía | 18. Tornillo |
| 6. Pomo de bloqueo | 12. Tapa de combustible | |
| | 13. Tapa de aceite | |



ADVERTENCIA

Por su propia seguridad, lea este manual antes de intentar usar la nueva unidad. Si no sigue las instrucciones puede sufrir graves lesiones personales. Dedique unos momentos a familiarizarse con la cortadora de césped a gasolina antes de cada uso.



Precaución: Motor caliente.

1. SÍMBOLOS MARCADOS EN EL PRODUCTO



Lea el manual del operario



Mantenga alejadas a las personas circundantes.



Preste más atención a las manos y los pies del operario para evitar lesiones.



El combustible es inflamable, manténgalo alejado del fuego. No añada combustible con la máquina en funcionamiento.



Humos tóxicos; no la utilice en un espacio cerrado.



Cuando corte, utilice gafas y tapones para los oídos para protegerse.



Durante las reparaciones, retire la bujía y realice las reparaciones de acuerdo con el manual de operaciones.

2. NORMAS GENERALES DE SEGURIDAD



ADVERTENCIA: Cuando se utilicen herramientas a gasolina, siempre deben tomarse precauciones de seguridad para reducir el riesgo de lesiones personales graves y/o daños en la unidad. Lea todas las instrucciones antes de utilizar este producto y guárdelas para futuras consultas.



ADVERTENCIA: Esta máquina crea un campo electromagnético durante su funcionamiento. En ciertas circunstancias este campo puede interferir con implantes médicos activos o pasivos. Para reducir el riesgo de lesiones graves o fatales, se recomienda a las personas con implantes médicos que consulten con su doctor y el fabricante del implante médico antes de utilizar esta máquina.

Formación

- Lea las instrucciones atentamente. Familiarícese con los controles y el uso correcto del equipo.
- Nunca deje que los niños o personas que no estén familiarizadas con estas instrucciones utilicen la cortadora de césped a gasolina. Las normas locales pueden restringir la edad del operario.
- Nunca corte césped mientras haya cerca personas, especialmente niños, o animales.
- Tenga en cuenta que el operario o el usuario es responsable de los accidentes o situaciones de peligro que se produzcan para otras personas o su propiedad.

Preparativos

- Mientras corte césped, utilice calzado robusto y pantalones largos. No utilice el equipo cuando esté descalzo o calce sandalias abiertas.
- Inspeccione minuciosamente dónde se va a usar el equipo y retire todos los objetos que puedan salir despedidos de la máquina.
- **ADVERTENCIA-** La gasolina es muy inflamable.
 - Almacene el combustible en contenedores diseñados específicamente para ese propósito.

- Reposte únicamente en exteriores y no fume durante el repostaje.
- Añada combustible antes de poner en marcha el motor. Nunca retire la tapa del depósito de combustible ni añada gasolina mientras el motor esté funcionando o cuando el motor esté caliente.
- Si se derrama gasolina, no intente poner en marcha el motor, aleje la máquina del área del derrame y no cree ninguna fuente de ignición hasta que se hayan disipado los vapores.
- Vuelva a colocar las tapas del depósito de combustible y del contenedor y fíjelas.
- Sustituya los silenciadores defectuosos.
- Antes del uso, inspeccione visualmente las cuchillas para asegurarse de que los pernos de la cuchilla o el conjunto del cortador no estén gastados o dañados. Sustituya los pernos y las cuchillas gastadas o dañadas en conjuntos para conservar el equilibrio.

Funcionamiento

- No haga funcionar el motor en un espacio cerrado en el que se puedan acumular los peligrosos vapores de monóxido de carbono.
- Corte el césped solamente de día o con una buena luz artificial.
- No utilice el equipo con césped húmedo cuando sea posible.
- Asegúrese siempre de que mantiene un buen equilibrio en pendientes.
- Camine, nunca corra.
- Para máquinas giratorias con ruedas, corte césped de un lado a otro, nunca arriba y abajo
- Tenga el máximo cuidado cuando cambie de dirección en pendientes.
- No corte césped en pendientes con una inclinación excesiva.
- Tenga el máximo cuidado cuando invierta la marcha o tire de la cortadora de césped a gasolina hacia usted.
- Detenga la cuchilla si la cortadora de césped a gasolina debe inclinarse para su transporte cuando cruce superficies que no sean césped, y cuando la transporte desde y hacia el área en la que debe cortarse el césped.
- Nunca utilice la cortadora de césped a gasolina con protecciones defectuosas o sin instalar dispositivos de seguridad, por ejemplo deflectores y/o recogedores de césped.
- No cambie los ajustes del regulador del motor ni lo haga funcionar a un régimen demasiado elevado.
- Desembrague todos los engranajes del motor y las cuchillas antes de poner en marcha el motor.
- Ponga en marcha el motor con cuidado, de acuerdo con las instrucciones, y mantenga los pies alejados de las cuchillas.
- No incline la cortadora de césped a gasolina cuando ponga en marcha el motor.
- No ponga en marcha el motor cuando permanezca delante del transportador de salida.
- No coloque las manos o los pies cerca o debajo de las piezas que giran. Manténgase alojado de la abertura de salida en todo momento.
- Nunca alce o transporte la cortadora de césped a gasolina mientras el motor esté en funcionamiento.

- Detenga el motor y desconecte el cable de la bujía, asegúrese de que todas las partes en movimiento se hayan detenido por completo y retire la llave si la hay:
 - Antes de despejar atascos o desbloquear el conducto de salida.
 - Antes de comprobar, limpiar o trabajar en la cortadora de césped a gasolina.
 - Después de golpear un objeto extraño. Compruebe si la cortadora de césped a gasolina está dañada y realice las reparaciones antes de volver a poner en marcha la cortadora de césped a gasolina y utilizarla.
 - Si la cortadora de césped a gasolina empieza a vibrar de modo anómalo (compruébela inmediatamente).
- Detenga el motor y desconecte el cable de la bujía, asegúrese de que todas las partes en movimiento se hayan detenido por completo y retire la llave si la hay:
 - Cuando deje la cortadora de césped a gasolina desatendida.
 - Antes de repostar.
- Suelte el acelerador durante el apagado y, si el motor cuenta con una válvula de cierre, corte el combustible cuando acabe de cortar el césped.

Mantenimiento y almacenamiento

- Mantenga todas las tuercas, los pernos y los tornillos apretados para asegurarse de que el equipo está en un estado seguro de funcionamiento.
- Nunca almacene el equipo con gasolina en el depósito dentro de un edificio en el que los vapores puedan llegar a una llama o una chispa.
- Deje que el motor se enfríe antes de almacenarlo en cualquier contenedor.
- Para reducir el riesgo de incendio, mantenga el motor, el silenciador, el compartimento de la batería y el área de almacenamiento de gasolina libres de césped, hojas o un exceso de grasa.
- Compruebe el recogedor de césped frecuentemente en busca de desgastes o deterioros.
- Reemplace las piezas gastadas o dañadas por su seguridad.
- Si se debe purgar el depósito de combustible, debe realizarse al aire libre.



ADVERTENCIA: No toque la cuchilla en movimiento.



ADVERTENCIA: Reposte en un área bien ventilada con el motor apagado.

3. DESCRIPCIÓN DE LAS PIEZAS (Fig. 1A y 1B)

Incluyendo

- A: Llave para bujías
- B: Canal de descarga

4. DATOS TÉCNICOS

Modelo	PLM5121	PLM5120
Tipo de motor	Serie B&S675EX, ReadyStart, 126T	Serie B&S625E, 122T
Autopropulsado	Sí	No
Cilindrada del motor	190 cm ³	190 cm ³
Ancho de la cuchilla	510 mm	510 mm
Velocidad nominal	2.800/min	2.800/min
Capacidad del depósito lleno	1,0 L	1,0 L
Peso neto	31,7 kg	28 kg
Ajuste de altura:	25-70 mm, 5 ajustes	
L _{pA} (SPL) en el emplazamiento del usuario (k = 3 dB (A))	79,2 dB (A)	78,9 dB (A)
Nivel de potencia de sonido garantizado L _{WA}	98 dB (A)	98 dB (A)
Vibración (k = 1,5 m/s ²)	2,305 m/s ²	2,056 m/s ²

5. MONTAJE

5-1 MONTAJE DEL MANGO DE PLEGADO

1. Fije los manillares inferiores al chasis de la unidad con los pomos de bloqueo tal y como se muestra. (Fig. 2A, Fig. 2B, Fig. 2C, Fig. 2D)
2. Conecte el mango superior y el mango inferior con el pomo de bloqueo. (Fig. 2E, Fig. 2F, Fig. 2G)
3. Fije el acoplamiento del cable en la posición que se muestra y acople el cable. (Fig. 2H)

6. AJUSTE DE LA ALTURA DE CORTE

Ejercer una presión hacia fuera para desenganchar la palanca del bastidor. Mueva la palanca hacia delante o hacia atrás para ajustar la altura.

La altura (de la cuchilla respecto al suelo) se puede ajustar desde 25 mm (posición 1: la posición más baja) hasta 70 mm (posición 5: la posición más alta), 5 posiciones de altura. (Fig. 3A, Fig. 3B).

Detenga la cortadora de césped a gasolina y desconecte el cable de la bujía antes de cambiar la altura de corte de la cortadora.



ADVERTENCIA: Realice el ajuste únicamente cuando se haya detenido la cuchilla.

7. AJUSTE DE UNA ALTURA ADECUADA (Fig. 4A, Fig. 4B)

1. Tire hacia atrás de los pomos de bloqueo que fijaban el mango inferior, consulte la Fig. 4A.
2. Consulte la Fig. 4B, suba y baje el mango inferior y ajústelo en la altura correcta.
Se puede elegir entre tres ajustes de altura en este tipo de cortadora de césped a gasolina; la posición 1 es la más alta, la posición 3 es la más baja.

3. Ajuste la altura correcta y fije el mango inferior mediante los pomos de bloqueo.



ADVERTENCIA: El lado izquierdo y el lado derecho del mango inferior se deben ajustar en la misma altura.

8. MANGO DEL MOTOR DE ARRANQUE (Fig. 5)

Mueva el mango del motor de arranque del motor a la guía de la cuerda.

9. “2 EN 1”

9-1 REAJUSTE PARA EL CORTE DE CÉSPED CON DESCARGA LATERAL

1. Levante la tapa lateral para la descarga lateral (Fig. 6A)
2. Monte la guía de descarga para la descarga lateral en el pasador de soporte de la tapa lateral. (Fig. 6A, Fig. 6B)
3. Baje la tapa lateral; la tapa descansará sobre el canal de descarga. (Fig. 6C)



¡Sólo cuando el motor y la cuchilla de corte están detenidos!

9-2 CORTADORA DE CÉSPED A GASOLINA CON MULCHING

¿Qué es el mulching?

Cuando realice la operación de mulching, el césped se cortará en un paso y después se triturará en fragmentos muy pequeños y se devolverá a la tira de césped como fertilizante natural.

Consejos para el corte de césped con mulching:

- Corte normal de un máximo de 2 cm de una altura de césped de 6 cm a 4 cm.
- Use una cuchilla de corte afilada

- No corte césped húmedo
- Ajuste la velocidad de motor máxima
- Desplácese solamente al paso de trabajo
- Limpie regularmente la cuña para mulching, el lado interior del chasis y la cuchilla de corte de césped



ADVERTENCIA: Sólo con el motor detenido y la cortadora detenida por completo.

1. Levante la tapa lateral y retire el canal de descarga. (Fig. 7A, Fig. 7B)
 - La tapa lateral cierra automáticamente la abertura de descarga del alojamiento mediante la fuerza del muelle.
 - Limpie periódicamente la tapa lateral y la abertura de descarga de restos de césped y suciedad incrustada.

10. INSTRUCCIONES DE FUNCIONAMIENTO

10-1 ANTES DE EMPEZAR

Reposte gasolina y aceite en el motor tal y como se indica en el manual de instrucciones del motor que se incluye por separado con la cortadora de césped a gasolina. Lea las instrucciones atentamente.



ADVERTENCIA: La gasolina es muy inflamable.

Almacene el combustible en contenedores diseñados específicamente para ese propósito.

Reposte solamente al aire libre, antes de poner en marcha el motor y no fume mientras repostas o manipula el combustible.

Nunca retire la tapa del depósito de combustible ni añada gasolina mientras el motor está funcionando o cuando el motor esté caliente.

Si se derrama gasolina, no intente poner en marcha el motor, aleje la máquina del área del derrame y no cree ninguna fuente de ignición hasta que se hayan disipado los vapores.

Vuelva a colocar las tapas del depósito de combustible y del contenedor y fijelas.

Antes de inclinar la cortadora de césped a gasolina para realizar el mantenimiento de la cuchilla o drenar el aceite, retire el combustible del depósito.



ADVERTENCIA: Nunca rellene el depósito de combustible en un recinto cerrado, con el motor funcionando o cuando el motor no se haya dejado enfriar durante 15 minutos como mínimo tras su uso.

10-2 PARA PONER EN MARCHA EL MOTOR Y ENGRANAR LA CUCHILLA

1. La unidad está equipada con un capuchón de goma sobre el extremo de la bujía, asegúrese de que el bucle metálico del cable de la bujía (dentro del capuchón de goma) esté fijado firmemente en la punta metálica de la bujía.

- 2.1. Para PLM5121: Cuando ponga en marcha un motor frío o templado, gire la palanca del estrangulador del acelerador hasta cualquier posición entre "☞" y "☛". Durante las operaciones, coloque la palanca del estrangulador del acelerador en la posición "☛". (Fig. 8B)
- 2.2. Para PLM5120: Cuando se ponga en marcha en frío, pulse el cebador de 3 a 5 veces antes de poner en marcha el motor y gire la palanca del estrangulador del acelerador hasta la posición "☞". Cuando ponga en marcha el motor en caliente y durante las operaciones, gire la palanca del estrangulador del acelerador en la posición "☛". (Fig. 8A, Fig. 8B)
3. Colóquese detrás de la unidad, agarre el mango de control del freno y sujételo contra el mango superior, como se muestra en la Fig. 8C.
4. Sujete el mango del motor de arranque como se muestra en la Fig. 8C y tire de él rápidamente. Devuélvalo lentamente al perno de guía de la cuerda después de que el motor se haya puesto en marcha. Suelte el mango de control de freno para detener el motor y la cuchilla. (Fig. 8D)



Ponga en marcha el motor con cuidado de acuerdo con las instrucciones y mantenga los pies alejados de la cuchilla.



No incline la cortadora de césped a gasolina cuando ponga en marcha el motor. Ponga en marcha la cortadora de césped a gasolina en una superficie plana, sin césped alto ni obstáculos.



Mantenga las manos y los pies alejados de las partes giratorias. No ponga en marcha el motor cuando permanezca delante de la abertura de salida.

10-3 PROCEDIMIENTOS DE UTILIZACIÓN

Durante el uso, sujete firmemente el mango de control de freno con ambas manos.



NOTA: Durante el uso, cuando se suelte el mango de control de freno, el motor se detendrá y, por lo tanto, se detendrá la cortadora de césped a gasolina.

10-4 PARA DETENER EL MOTOR



PRECAUCIÓN: La cuchilla sigue girando durante unos segundos después de apagar el motor.

1. Suelte el mango de control de freno para detener el motor y la cuchilla.
2. Desconecte y conecte a tierra el cable de la bujía tal y como se indica en el manual del motor para evitar la puesta en marcha accidental mientras el equipo está desatendido.

10-5 CONEXIÓN PARA EL MOVIMIENTO AUTOMÁTICO

Para PLM5121

Agarre el mango de control de autopropulsión, la cortadora de césped a gasolina avanzará automáticamente con una velocidad aproximada de 3,6 km/h (Fig. 9). Si suelta el mango del interruptor, la cortadora de césped a gasolina se detendrá.



PRECAUCIÓN: La cortadora de césped a gasolina se ha diseñado para cortar césped normal de zonas residenciales de una altura no superior a 250 mm. No intente cortar césped inusualmente alto o césped húmedo (p. ej. una zona de pastura) o montones de hojas secas. Se pueden acumular restos en la cubierta de la cortadora de césped a gasolina o pueden entrar en contacto con la salida de gases del motor y provocar un riesgo de incendio.

10-6 PARA OBTENER LOS MEJORES RESULTADOS DURANTE LA OPERACIÓN DE CORTE DE CÉSPED

Limpie el césped de escombros. Asegúrese de que el césped esté libre de piedras, palos, cables u otros objetos extraños que pudieran salir despedidos accidentalmente de la cortadora de césped a gasolina en cualquier dirección y que podrían provocar lesiones personales graves al operario y a terceros, así como a la propiedad y objetos circundantes. No corte césped húmedo Para lograr una operación de corte de césped eficaz, no corte césped húmedo, ya que tiende a adherirse a la parte inferior de la cubierta, lo que impide una operación de corte de césped correcta del césped cortado. No corte más de 1/3 de la longitud del césped. El corte recomendado para la operación de corte de césped es de 1/3 de la longitud del césped. La velocidad de desplazamiento se deberá ajustar para que el césped cortado se disperse uniformemente sobre el terreno. Para los cortes especialmente pesados en césped grueso, puede ser necesario usar una de las velocidades más lentas para obtener un corte con la operación de corte de césped bien realizada. Cuando realice la operación de corte de césped sobre césped largo, quizás deba cortar el césped en dos pasadas, bajando la cuchilla otro 1/3 de la longitud para el segundo corte y quizás deba cortar en un patrón diferente del que se utilizó por primera vez. Un solapamiento ligero del corte en cada pasada también ayudará a eliminar los recortes de césped compactados que hayan quedado en el césped. La cortadora de césped a gasolina siempre se debe utilizar con el acelerador al máximo para obtener el mejor corte y permitir que se realice el trabajo de corte de césped más efectivo posible. Limpie la parte inferior de la cubierta. Asegúrese de limpiar la parte inferior de la cubierta de corte después de cada uso para evitar la acumulación de césped, que impediría una operación de mulching correcta. Corte de hojas. La operación de corte de hojas también puede ser beneficiosa para el césped. Cuando realice la operación de corte de hojas, asegúrese de que estén secas y que no estén apiladas a demasiada altura

sobre el césped. No espere a que caigan todas las hojas de los árboles antes de realizar la operación de corte.



ADVERTENCIA: Si golpea un objeto extraño, detenga el motor. Retire el cable de la bujía, inspeccione detenidamente la cortadora de césped a gasolina en busca de daños y repárelos antes de volver a poner en marcha y usar la cortadora de césped a gasolina. Una vibración importante de la cortadora de césped a gasolina durante el uso es un indicador de daños. La unidad debe inspeccionarse y repararse inmediatamente.

10-7 CUBIERTA

La parte inferior de la cubierta de la cortadora de césped a gasolina debe limpiarse después de cada uso para evitar la acumulación de césped cortado, hojas, suciedad u otras materias. Si se permite la acumulación de residuos, se favorecerá la aparición de óxido y la corrosión y se puede impedir la realización correcta de mulching. Para limpiar la cubierta incline la cortadora de césped a gasolina y rasque la suciedad con una herramienta adecuada (asegúrese de que el cable de la bujía esté desconectado).

11. INSTRUCCIONES DE MANTENIMIENTO

BUJÍA

Utilice solamente bujías de recambio originales. Para lograr los mejores resultados, sustituya la bujía cada 100 horas de uso.

12. INSTRUCCIONES DE LUBRICACIÓN



PRECAUCIÓN: DESCONECTE LA BUJÍA ANTES DE CUALQUIER TAREA DE MANTENIMIENTO.

1. RUEDAS-Lubrique los cojinetes de cada rueda, como mínimo una vez cada temporada, con un aceite ligero.
2. MOTOR-Siga las instrucciones de lubricación del manual del motor.
3. CONTROL DE LA CUCHILLA-Lubrique los puntos de giro del mango de control de la cuchilla y el cable del freno con aceite ligero como mínimo una vez cada temporada. El control de la cuchilla debe funcionar libremente en ambas direcciones.

13. LIMPIEZA



PRECAUCIÓN: No lave el motor con una manguera. El agua puede dañar el motor o contaminar el sistema de combustible.

1. Seque la cubierta con un paño seco.
2. Lave con una manguera debajo de la cubierta, inclinando la cortadora de césped a gasolina de forma que la bujía esté hacia arriba.

13-1 FILTRO DE AIRE DEL MOTOR



PRECAUCIÓN: No permita que el polvo o la suciedad obstruyan el elemento de espuma de filtro de aire. El elemento de filtro de aire del motor debe revisarse (limpiarse) tras 25 horas de corte normal. El elemento de espuma debe revisarse regularmente si la cortadora de césped a gasolina se utiliza en condiciones de polvo en un ambiente seco. (Consulte el MANUAL DEL PROPIETARIO DEL MOTOR)

Para LIMPIAR EL FILTRO DEL AIRE

1. Retire el tornillo. (Fig. 10A, Fig. 10B)
2. Retire la cubierta.
3. Lave el elemento de filtro con agua jabonosa. **¡NO UTILICE GASOLINA!**
4. Deje secar el elemento de filtro.
5. Ponga unas pocas gotas de aceite SAE30 en el filtro de espuma y apriételo bien para eliminar cualquier exceso de aceite.
6. Vuelva a instalar el filtro.



NOTA: Sustituya el filtro si está desgastado, rasgado, dañado o si no se puede limpiar.

13-2 CUCHILLA DE CORTE



PRECAUCIÓN: Asegúrese de desconectar el cable de la bujía y conectarlo a tierra antes de realizar trabajos en la cuchilla de corte para evitar la puesta en marcha accidental del motor. Proteja las manos usando guantes gruesos o un trapo para agarrar las cuchillas de corte. Incline la cortadora de césped a gasolina tal y como se indica en el manual del motor que se incluye por separado. Extraiga el perno hexagonal y la arandela que sujetan la cuchilla y el adaptador de la cuchilla al cigüeñal del motor. Retire la cuchilla y el adaptador del cigüeñal.



ADVERTENCIA: Inspeccione periódicamente el adaptador en busca de grietas, especialmente si ha golpeado un objeto extraño. Sustitúyalo cuando sea necesario.

Para lograr los mejores resultados, la cuchilla debe estar afilada. Para volver a afilar la cuchilla, quítela y afílaela o límela manteniendo el borde de corte lo más parecido posible al bisel original. Es muy importante que cada borde de corte sea amolado por igual para evitar que la cuchilla esté desequilibrada. Un equilibrio incorrecto de la cuchilla provocará un exceso de vibración y daños al motor y la cortadora de césped a gasolina. Tenga cuidado de equilibrar la cuchilla tras volver a afilarla. Se puede probar el equilibrio de la cuchilla colocándola en equilibrio sobre el eje de un destornillador. Rebaje metal del lado pesado hasta que esté bien equilibrada. Antes de volver a montar la cuchilla y el adaptador de la cuchilla en la unidad, lubrique el cigüeñal del motor y la superficie interior del adaptador de la cuchilla con aceite ligero. Instale la cuchilla y el adaptador del cigüeñal. Consulte la Fig. 11. Coloque la cuchilla con el número de pieza en el lado opuesto al adaptador. Alinee la arandela con la cuchilla e inserte el perno hexagonal. Apriete el

perno hexagonal con el par de apriete que se indica más abajo:

13-3 PAR DE APRIETE DE MONTAJE DE LA CUCHILLA

Perno central, 40 Nm-50 Nm, para garantizar el funcionamiento seguro de la unidad. Debe comprobarse el correcto apriete de TODAS las tuercas y TODOS los pernos.

Tras un uso prolongado, especialmente en condiciones de suelo arenoso, la cuchilla se gastará y perderá parte del afilado original. La eficacia del corte se verá reducida y la cuchilla se deberá sustituir. Sustitúyala únicamente con una cuchilla de recambio aprobada de fábrica. Los posibles daños resultantes del estado de desequilibrio de la cuchilla no son responsabilidad del fabricante. Cuando cambie la cuchilla, debe usar el tipo original marcado en ella (MAKITA 263001826) (para realizar el pedido de una cuchilla, póngase en contacto con su distribuidor local o llame a nuestra compañía).



ADVERTENCIA: No toque la cuchilla en movimiento.

13-4 MOTOR

Consulte las instrucciones de mantenimiento del motor en el manual del motor que se proporciona por separado. Mantenga el aceite del motor tal y como se indica en el manual del motor que se incluye por separado con su unidad. Lea y siga las instrucciones atentamente. Realice un mantenimiento del filtro de aire de acuerdo con el manual del motor que se proporciona por separado, bajo condiciones normales. Límpielo cada pocas horas en condiciones de polvo extremo. Un mal rendimiento del motor y un ahogo del mismo suelen indicar que debería realizarse el mantenimiento del filtro del aire.

Para realizar el mantenimiento del filtro del aire, consulte el manual del motor que se proporciona con la unidad. La bujía debe limpiarse y su holgura se debe reajustar una vez por temporada. Se recomienda sustituir la bujía al principio de cada temporada de corte de césped; compruebe las especificaciones de holgura y el tipo correcto de bujía en el manual del motor. Limpie el motor regularmente con un paño o un cepillo. Mantenga el sistema de refrigeración (área de alojamiento del ventilador) limpio para permitir una correcta circulación del aire, que es esencial para el rendimiento y la duración del motor. Asegúrese de quitar todo el césped, la suciedad y los restos de combustible del área del silenciador.

14. INSTRUCCIONES DE ALMACENAMIENTO (FUERA DE TEMPORADA)

Deben seguirse estos pasos para preparar la cortadora de césped a gasolina para su almacenamiento.

1. Vacíe el depósito después de la última sesión de corte de césped.
 - a) Vacíe el depósito de combustible con una bomba de succión.



PRECAUCIÓN: No drene el combustible en habitaciones cerradas, cerca de fuego abierto, etc. ¡No fume! Los vapores del combustible pueden causar una explosión o un incendio.

- b) Ponga en marcha el motor y déjelo funcionando hasta que se haya agotado el combustible y se cale.
 - c) Extraiga la bujía Utilice una lata de aceite para llenar aprox. 20 ml de aceite en la cámara de combustión. Accione el motor de arranque para distribuir uniformemente el aceite en la cámara de combustión. Sustituya la bujía
2. Limpie y engrase la cortadora de césped a gasolina con cuidado tal y como se describe debajo de "Lubricación".
 3. Engrase ligeramente la cortadora para evitar la corrosión.
 4. Almacene la cortadora de césped a gasolina en un lugar seco, limpio y fuera del alcance de personas no autorizadas.



PRECAUCIÓN: El motor debe haberse enfriado por completo antes de almacenar la cortadora de césped a gasolina.



NOTA:

- Cuando almacene cualquier tipo de equipo con motor en una nave de almacenamiento de material o sin ventilar, tenga cuidado de proteger el equipo contra la oxidación. Recubra el equipo, especialmente los cables y las piezas móviles, con aceite ligero o silicona.
- Tenga cuidado de no doblar o rizar los cables.
- Si la cuerda del motor de arranque se desconecta de la guía de cuerda del mango, desconecte el cable de la bujía y conéctelo a tierra, suelte el mango de control de la cuchilla y tire de la cuerda del motor de arranque ligeramente para extraerla del motor. Deslice la cuerda del motor de arranque en el perno de guía de la cuerda del mango.

Transporte

Apague el motor. Asegúrese de no doblar o dañar la cuchilla de corte cuando empuje la cortadora de césped a gasolina por encima de obstáculos.

15. SOLUCIÓN DE PROBLEMAS

PROBLEMA	CAUSA PROBABLE	ACCIÓN CORRECTORA
El motor no se enciende.	El tope del acelerador no está en la posición correcta para las condiciones predominantes.	Mueva el tope del acelerador a la posición correcta.
	El depósito de combustible está vacío.	Llene el depósito con combustible: consulte el MANUAL DEL PROPIETARIO DEL MOTOR.
	El elemento de filtro de aire está sucio.	Limpie el elemento de filtro de aire: consulte el MANUAL DEL PROPIETARIO DEL MOTOR.
	Bujía floja.	Apriete la bujía a 25 - 30 Nm.
	Cable de la bujía flojo o desconectado de la bujía.	Coloque el cable de la bujía en la bujía.
	La holgura de la bujía es incorrecta.	Ajuste la holgura entre los electrodos entre 0,7 y 0,8 mm.
	La bujía es defectuosa.	Instale una bujía nueva y con la holgura correcta: consulte el MANUAL DEL PROPIETARIO DEL MOTOR.
	El carburador está inundado de combustible.	Retire el filtro de aire y tire de la correa del motor de arranque hasta que el carburador se limpie e instale el elemento de filtro.
El motor tiene dificultades para ponerse en marcha o pierde potencia.	Módulo de ignición defectuoso.	Póngase en contacto con el agente de servicio técnico.
	El contenido del depósito de combustible está sucio, tiene agua o está caducado.	Drene el combustible y limpie el depósito. Llene el depósito con combustible nuevo y limpio.
	El orificio de ventilación del depósito de combustible está obstruido.	Limpie o sustituya la tapa del depósito de combustible.
El motor funciona de forma errática.	El elemento de filtro de aire está sucio.	Limpie el elemento de filtro de aire.
	La bujía es defectuosa.	Instale una bujía nueva y con la holgura correcta: consulte el MANUAL DEL PROPIETARIO DEL MOTOR.
	La holgura de la bujía es incorrecta.	Ajuste la holgura entre los electrodos entre 0,7 y 0,8 mm.
Bajo ralentí del motor.	El elemento de filtro de aire está sucio.	Limpie el elemento de filtro de aire: consulte el MANUAL DEL PROPIETARIO DEL MOTOR.
	Las ranuras de aire del compartimento del motor están bloqueadas.	Retire los residuos de las ranuras.
	Las aletas de ventilación y los conductos de aire debajo del alojamiento del ventilador del motor están bloqueados.	Retire los residuos de las aletas de ventilación y de los conductos de aire.
El motor da sacudidas a alta velocidad.	La holgura entre los electrodos de la bujía es demasiado estrecha.	Ajuste la holgura entre los electrodos entre 0,7 y 0,8 mm.
El motor se recalienta.	El flujo de aire de refrigeración está obstruido.	Retire cualquier residuo de las ranuras del alojamiento del ventilador y los conductos de aire.
	Bujía incorrecta.	Instale una bujía RJ19LMC y aletas de refrigeración en el motor.
La cortadora de césped a gasolina vibra de forma anómala.	El conjunto de corte está suelto.	Apriete la cuchilla.
	El conjunto de corte está desequilibrado.	Equilibre la cuchilla.

16. GARANTÍA

Este producto tiene una garantía acorde con la ley, para un período de 12 meses efectivo desde la fecha de compra por parte del primer usuario.

Esta garantía cubre todos los defectos de los materiales o de fabricación, no incluye defectos del uso y desgaste normal de las piezas tales como cojinetes, casquillos, cables, bujías o accesorios como taladros, puntas de taladro, cuchillas de sierras, etc.; daños o defectos

resultantes de un mal trato, accidente o modificaciones y tampoco cubre los costes de transporte.

Nos reservamos el derecho de rechazar cualquier reclamación cuando la compra no se pueda comprobar o cuando esté claro que no se realizó un mantenimiento correcto del producto. (Limpieza de las ranuras de ventilación, mantenimiento periódico de las escobillas de carbón.)

Debe conservarse el tique de compra como comprobante de la fecha de compra.

La herramienta sin desmontar se debe entregar al distribuidor en un estado de limpieza aceptable, en su caja original moldeada pos soplado si se aplica a la unidad, acompañada por el comprobante de la compra.

Modelo: PLM5121

Nivel de potencia sonora medido: 92,4 dB (A)

Nivel de potencia sonora garantizado: 98 dB (A)

30.11.2011



Tomoyasu Kato
Director

Makita Corporation
3-11-8, Sumiyoshi-cho,
Anjo, Aichi, JAPAN

17. ENTORNO

Si la máquina debe sustituirse tras un uso extensivo, no la deseche con los residuos domésticos, sino de una forma segura para el medioambiente.

18. DECLARACIÓN DE CONFORMIDAD DE LA CE

(Sólo para los países europeos)

Nosotros, Makita Corporation, en calidad de fabricante responsable, declaramos que las siguientes máquinas Makita:

Designación de la máquina: Cortadora de césped a gasolina

Nº de modelo/ Tipo: PLM5120, PLM5121

Especificaciones: Consulte "4. DATOS TÉCNICOS" son de producción serie y

Cumplen con las siguientes Directivas europeas:

2004/108/CE, 2006/42/CE,

2000/14/CE y 2005/88/CE

Y se han fabricado de acuerdo con los siguientes estándares o documentos estandarizados:

EN ISO 14982, EN836

La documentación técnica la conserva nuestro representante autorizado en Europa, que es:

Makita International Europe Ltd.

Michigan Drive, Tongwell,

Milton Keynes, Bucks MK15 8JD, Inglaterra

El procedimiento de evaluación de conformidad requerido por la Directiva 2000/14/CE se realizó de acuerdo con el anexo V.

Organismo notificado:

TÜV SÜD Industrie Service GmbH

Westendstraße 199, 80686 München, Deutschland

Número de identificación: 0036

Modelo: PLM5120

Nivel de potencia sonora medido: 92,3 dB (A)

Nivel de potencia sonora garantizado: 98 dB (A)

Descrição geral

- | | | |
|--|------------------------------------|-------------------------------|
| 1. Pega de controlo do travão | 7. Grampo do cabo | 14. Pega do motor de arranque |
| 2. Pega superior | 8. Alavanca de regulação da altura | 15. Parafuso |
| 3. Pega de controlo de avanço automático | 9. Carenagem | 16. Anilha |
| 4. Alavanca do afogador | 10. Alheta lateral | 17. Botão de escorvagem |
| 5. Guia do cabo | 11. Vela de ignição | 18. Parafuso |
| 6. Manípulo de bloqueio | 12. Tampão de combustível | |
| | 13. Tampão de óleo | |



AVISO:

Para a sua segurança, leia este manual antes de tentar operar a unidade nova. O incumprimento das instruções pode resultar em ferimentos pessoais graves. Familiarize-se com o cortador de grama antes de cada utilização.



Precaução: Motor quente.

1. SÍMBOLOS MARCADOS NO PRODUTO



Leia o manual de utilizador.



Mantenha as pessoas afastadas.



Preste mais atenção às mãos e pés do utilizador para evitar ferimentos.



O combustível é inflamável, mantenha-o afastado do fogo. Não abasteça combustível com a máquina em funcionamento.



Fumos tóxicos; Não utilizar dentro de casa.



Quando transportar, use os óculos e tampões para os ouvidos para proteger o próprio utilizador.



Quando reparar, retire a vela de ignição e, de seguida, repare-a de acordo com o manual de operações.

2. REGRAS GERAIS DE SEGURANÇA



AVISO: Quando utilizar ferramentas a gasolina, devem ser sempre cumpridas as precauções de segurança básicas, incluindo as que se seguem, de forma a reduzir o risco de ferimentos pessoais graves e/ou danos na unidade. Leia todas as instruções antes de utilizar este produto e guarde estas instruções para referência futura.



AVISO: Esta máquina produz um campo electromagnético durante o funcionamento. Em certas circunstâncias, este campo pode interferir com implantes médicos activos ou passivos. Para reduzir o risco de ferimentos graves ou fatais, é aconselhável que as pessoas com implantes médicos consultem o seu médico e o fabricante do implante antes de utilizar esta máquina.

Formação

- Leia atentamente as instruções. Familiarize-se com os controlos e a utilização adequada do equipamento.
- Nunca permita que crianças ou pessoas não familiarizadas com estas instruções utilizem o cortador de grama. As regulamentações locais podem restringir a idade do operador.
- Nunca corte relva com pessoas, especialmente, crianças ou animais por perto.
- Lembre-se que o operador ou o utilizador é responsável pelos acidentes ou perigos que ocorrem a outras pessoas ou à sua propriedade.

Preparação

- Durante o corte, use sempre calçado adequado e calças longas. Não utilize o equipamento descalço ou usando sandálias abertas.
- Inspeccione minuciosamente a área onde vai utilizar o equipamento e retire todos os objectos que podem ser projectados pela máquina.
- AVISO- A gasolina é altamente inflamável.
 - Guarde o combustível em recipientes especificamente concebidos para esta finalidade.

- Apenas abasteça a não fume durante o abastecimento.
- Abasteça de combustível antes de ligar o motor. Nunca retire o tampão do depósito de combustível ou abasteça de combustível enquanto o motor está em funcionamento ou quando o motor está quente.
- Se a gasolina for derramada, não tente ligar o motor, afaste a máquina da área de derrame e evite criar qualquer fonte de ignição até os vapores de gasolina se dissiparem.
- Substitua com segurança todos os tampões de depósitos de combustível e de recipientes.
- Substitua os silenciadores avariados.
- Antes de utilizar, inspecione sempre visualmente para se certificar de que as lâminas, parafusos das lâminas e o conjunto do cortador não estão gastos ou danificados. Substitua as lâminas e parafusos gastos e danificados por conjuntos para preservar o equilíbrio.

Funcionamento

- Não ligue o motor num espaço reduzido onde fumos de monóxido de carbono perigosos podem acumular-se.
- Corte a relva apenas durante o dia ou com uma boa luz artificial.
- Evite operar o equipamento na relva molhada, quando possível.
- Certifique-se de que tem sempre um bom apoio de pés nos declives.
- Caminhe, nunca corra.
- Para máquinas com rodas, corte a relva nos declives na transversal, nunca para cima e para baixo.
- Tenha muito cuidado quando mudar de direcção nos declives.
- Não corte a relva em declives com uma inclinação excessiva.
- Tenha muito cuidado quando recuar ou puxar o cortador de grama na sua direcção.
- Pare a(s) lâmina(s) se o cortador de grama tiver de ser inclinado para transporte quando atravessar superfícies que não relva e quando transportar o cortador de grama de e para a área a cortar.
- Nunca opere o cortador de grama com protecções defeituosas ou sem dispositivos de segurança, por exemplo, deflectores e/ou colectores de relva, em posição.
- Não altere as definições do regulador do motor nem utilize o motor a velocidades exageradas.
- Desengrene todas as embraiagens da lâmina e da transmissão antes de ligar o motor.
- Ligue cuidadosamente o motor de acordo com as instruções e com os pés afastados da(s) lâmina(s).
- Não incline o cortador de grama quando liga o motor.
- Não ligue o motor quando se encontrar em frente ao canal de escoamento.
- Não coloque as mãos ou os pés perto ou debaixo das peças rotativas. Mantenha-se sempre afastado da abertura de descarga.
- Nunca desloque ou transporte um cortador de grama com o motor em funcionamento.
- Pare o motor e desligue o fio da vela de ignição, certifique-se de que todas as peças móveis pararam por completo e retire a chave do seu local:

Manutenção e armazenamento

- Mantenha todas as porcas e parafusos apertados para se certificar de que o equipamento se encontra em bom estado.
- Nunca guarde o equipamento com gasolina no depósito dentro de um edifício onde os fumos possam alcançar chamas livres ou faíscas.
- Aguarde que o motor arrefeça antes de guardar num local qualquer.
- Para reduzir os perigos de incêndio, mantenha a área de armazenamento do motor, silenciador, compartimento da bateria e gasolina isenta de relva, folhas ou massa lubrificante excessiva.
- Verifique frequentemente o colector de relva por desgaste e deterioração.
- Por razões de segurança, substitua as peças gastas ou danificadas.
- Se o depósito de combustível tiver de ser drenado, isto pode executado no exterior.



AVISO: Não toque na lâmina rotativa.



AVISO: Abasteça com combustível numa área bem ventilada com o motor desligado.

3. DESCRIÇÃO DAS PEÇAS (Fig. 1A e 1B)

Incluindo

- A: Chave de vela de ignição
- B: Canal de descarga

4. DADOS TÉCNICOS

Modelo	PLM5121	PLM5120
Tipo de motor	Série B&S675EX, ReadyStart, 126T	Série B&S625E, 122T
Automotriz	Sim	Não
Deslocamento do motor	190 cm ³	190 cm ³
Largura da lâmina	510 mm	510 mm
Velocidade nominal	2.800/min	2.800/min
Capacidade depósito combustível	1,0 L	1,0 L
Peso líquido	31,7 kg	28 kg
Regulação da altura:	25-70 mm, 5 regulações	
L _{pA} (SPL) no local do utilizador (k = 3 dB (A))	79,2 dB (A)	78,9 dB (A)
Nível de potência sonora garantida L _{WA}	98 dB (A)	98 dB (A)
Vibração (k = 1,5 m/s ²)	2,305 m/s ²	2,056 m/s ²

5. MONTAGEM

5-1 MONTAR A PEGA REBATÍVEL

1. Fixe as barras de direcção inferiores no corpo da unidade com os manípulos de bloqueio, conforme mostrado. (Fig. 2A, Fig. 2B, Fig. 2C, Fig. 2D)
2. Ligue a pega superior e a pega inferior com o manípulo de bloqueio. (Fig. 2E, Fig. 2F, Fig. 2G)
3. Instale o grampo do cabo na posição mostrada e, de seguida, instale o cabo. (Fig. 2H)

6. REGULAÇÃO DA ALTURA DE CORTE

Aplique pressão para fora para desengatar a alavanca da armação. Desloque a alavanca para a frente ou para trás para ajustar a altura.

A altura (da lâmina ao solo) pode ser ajustada de 25 mm (posição 1: a posição mais baixa) a 70 mm (posição 5: a posição mais alta), 5 posições de altura. (Fig. 3A, Fig. 3B).

Desligue o cortador de grama e o cabo da vela de ignição antes de alterar a altura de corte do cortador de grama.



AVISO: Efectue apenas esta regulação quando a lâmina está parada.

7. AJUSTE PARA UMA ALTURA ADEQUADA (Fig. 4A, Fig. 4B)

1. Recue os manípulos de bloqueio que fixavam a pega inferior, consulte a Fig. 4A.
2. Consulte a Fig. 4B, desloque a pega inferior para cima e para baixo, ajuste-a à altura adequada. Existem 3 alturas ajustáveis a escolher neste tipo de cortador de grama; na posição 1 é a altura mais alta, na posição 3 é a altura mais baixa.
3. Ajustar à altura adequada, de seguida, fixe a pega inferior através dos manípulos de bloqueio.



AVISO: O lado esquerdo e direito da pega inferior têm de ser ajustados à mesma altura.

8. PEGA DO MOTOR DE ARRANQUE (Fig. 5)

Desloque a pega do motor de arranque do motor para o guia do cabo.

9. “2 EM 1”

9-1 RECONFIGURAR PARA CORTE COM DESCARGA LATERAL

1. Levante a alheta lateral para descarga lateral. (Fig. 6A)
2. Monte o guia de descarga para descarga lateral no pino de suporte da alheta lateral. (Fig. 6A, Fig. 6B)
3. Baixe a alheta lateral - a alheta assenta no canal de descarga. (Fig. 6C)



Apenas quando o motor e o cortador estão parados!

9-2 CORTADOR DE GRAMA “MULCHING”

O que é o “mulching”?

Quando fizer o “mulching”, a relva é cortada numa só passagem, de seguida, é cortada finamente e devolvida à faixa de relva como um fertilizante natural.

Conselhos para o corte “mulching”:

- Corte normal por 2 cm, no máximo, de 6 cm a 4 cm de altura da relva.
- Utilize uma faca de corte afiada
- Não corte relva molhada
- Defina a velocidade máxima do motor
- Desloque-se apenas ao ritmo de trabalho
- Limpe regularmente a barra de “mulching”, lado interior da estrutura e lâmina de corte



AVISO: Apenas com um motor desligado e cortador parado.

1. Levante a alheta lateral e remova o canal de descarga. (Fig. 7A, Fig. 7B)
 - A alheta lateral fecha automaticamente a abertura de descarga na armação através de molas.
 - Limpe regularmente a alheta lateral e a abertura de descarga de restos de relva e sujidade presa.

10. INSTRUÇÕES DE FUNCIONAMENTO

10-1 ANTES DA UTILIZAÇÃO

Faça a manutenção do motor com gasolina e óleo conforme indicado no manual do motor separado e embalado com o cortador de grama. Leia atentamente as instruções.



AVISO: A gasolina é altamente inflamável.

Guarde o combustível em recipientes especificamente concebidos para esta finalidade. Apenas abasteça no exterior, antes de ligar o motor e não fume durante o abastecimento ou manuseamento de combustível.

Nunca retire o tampão do depósito de combustível ou abasteça de combustível enquanto o motor está em funcionamento ou quando o motor está quente.

Se a gasolina for derramada, não tente ligar o motor, afaste a máquina da área de derrame e evite criar qualquer fonte de ignição até os vapores de gasolina se dissiparem.

Substitua com segurança todos os tampões de depósitos de combustível e de recipientes.

Antes de virar o cortador de grama para fazer a manutenção da lâmina ou drenar óleo, retire combustível do depósito.



AVISO: Nunca abasteça o depósito de combustível no interior, com o motor em funcionamento ou antes do motor ter arrefecido durante, no mínimo, 15 minutos após a utilização.

10-2 PARA LIGAR O MOTOR E ENGATE A LÂMINA

1. A unidade está equipada com uma tampa de borracha sobre a extremidade da vela de ignição, certifique-se de que o aro metálico na extremidade do fio da vela de ignição (no interior da tampa de borracha) está bem apertado na ponta de metal na vela de ignição.
- 2.1. Para PLM5121:
Ao ligar um motor frio ou quente, coloque a alavanca do afogador entre a posição "☞" e a posição "☛". Durante a utilização, rode a alavanca do afogador para a posição "☛". (Fig. 8B)
- 2.2. Para PLM5120:
Ao ligar a frio, pressione o botão de escorvagem 3-5 vezes antes de ligar o motor, rode a alavanca do afogador para a posição "☛".

Quando ligar o motor quente e utilizá-lo, rode a alavanca do afogador para a posição "☛".

(Fig. 8A, Fig. 8B)

3. Coloque-se atrás da unidade, agarre a pega de controlo do travão e segure-a contra a pega superior como mostrado na Fig. 8C.
4. Agarre a pega do motor de arranque como mostrado Fig. 8C e puxe-a rapidamente para cima. Regresse-a lentamente ao parafuso do guia do cabo após o arranque do motor. Solte a pega de controlo do travão para desligar o motor e a lâmina. (Fig. 8D)



Ligue cuidadosamente o motor de acordo com as instruções e com os pés afastados da lâmina.



Não incline o cortador de grama quando liga o motor. Ligue o cortador de grama numa superfície nivelada, isenta de relva alta e obstáculos.



Afaste as mãos e os pés das peças em movimento. Não ligue o motor quando se encontrar em frente à abertura de descarga.

10-3 PROCEDIMENTOS DE FUNCIONAMENTO

Durante o funcionamento, segure bem a pega de controlo do travão com ambas as mãos.



NOTA: Durante o funcionamento, quando a pega de controlo do travão é solta, o motor irá desligar-se fazendo com que o cortador de grama pare de funcionar.

10-4 PARA DESLIGAR O MOTOR



PRECAUÇÃO: A lâmina continua a rodar durante alguns segundos após o motor ser desligado.

1. Solte a pega de controlo do travão para desligar o motor e a lâmina.
2. Desligue e ligue o fio da vela de ignição à terra conforme indicado no manual do motor separado para evitar arranques acidentais quando o equipamento não é supervisionado.

10-5 LIGAÇÃO PARA DESLOCAÇÃO AUTOMÁTICA

Para PLM5121

Agarre a pega de controlo de avanço automático, o cortador de grama irá deslocar-se automaticamente para a frente com cerca de 3,6 km/h (Fig. 9), solte a pega de avanço automático, o cortador de grama irá parar.



PRECAUÇÃO: O seu cortador de grama destina-se a cortar relva normal com uma altura inferior a 250 mm.

Não tente cortar relva invulgarmente alta ou molhada (por exemplo, pastagens) ou pilhas de folhas secas. Os detritos podem acumular-se na carenagem do cortador

de grama ou entra em contacto com o sistema de escape do motor, resultando num potencial risco de incêndio.

10-6 PARA OBTER OS MELHORES RESULTADOS AO EFECTUAR O CORTE DA RELVA

Elimine os detritos da relva. Certifique-se de que a relva está isenta de pedras, paus, cabos ou outros objectos estranhos que podem ser acidentalmente projectados pelo cortador de grama, em qualquer direcção, e causar ferimentos pessoais graves no utilizador e outras pessoas, assim como danos na propriedade e nos objectos envolventes. Não corte relva molhada. Para um corte de relva eficaz, não corte relva molhada porque esta tende a aderir ao lado inferior da carenagem, evitando um corte de relva adequado das aparas da relva. Não corte mais do que 1/3 do comprimento da relva. O corte recomendado para o corte de relva é 1/3 do comprimento da relva. A velocidade terá de ser ajustada para que as aparas possam ser dispersas uniformemente na relva. Para um corte particularmente duro na relva espessa, pode ser necessário usar uma das velocidades mais lentas de modo a obter um corte de relva bem efectuado. Quando efectuar o corte de relva na relva longa, pode ter que cortar a relva em duas passagens, baixando a lâmina mais 1/3 do comprimento para o segundo corte e talvez cortando num padrão diferente do padrão utilizado pela primeira vez. Sobrepor um pouco o corte em cada passagem fará com que tenha de limpar quaisquer aparas na relva. O cortador de grama deve ser sempre utilizado à velocidade máxima para obter o melhor corte e permitir a realização de um corte de relva mais eficaz. Limpe a parte inferior da carenagem. Certifique-se de que limpa a parte inferior da carenagem de corte após cada utilização para evitar uma acumulação de relva, o que resultaria num mau "mulching". Cortar folhas. O corte de folhas também pode ser benéfico para a sua relva. Quando efectuar o corte de folhas, certifique-se de que estas estão secas e não são demasiado espessas. Não aguarde que todas as folhas caiam das árvores antes de efectuar o corte.



AVISO: Se colidir contra um objecto estranho, desligue o motor. Retire o fio da vela de ignição, inspecione minuciosamente o cortador de grama por quaisquer danos e repare os danos antes de reiniciar e utilizar o cortador de grama. A vibração excessiva do cortador de grama durante o funcionamento é uma indicação de danos. A unidade deve ser inspecionada e reparada imediatamente.

10-7 CARENAGEM

A parte inferior da carenagem do cortador de grama deve ser limpa após cada utilização para evitar uma acumulação de aparas de relva, folhas, sujidade ou outras substâncias. Se permitir a acumulação destes detritos, irá provocar ferrugem e corrosão e pode impedir a realização de um "mulching" adequado. A carenagem pode ser limpa inclinando o cortador de grama e raspando com uma ferramenta adequada (certifique-se de que o fio da vela de ignição está desligado).

11. INSTRUÇÕES DE MANUTENÇÃO

VELA DE IGNIÇÃO

Utilize apenas velas de ignição de reposição originais. Para obter os melhores resultados, substitua a vela de ignição a cada 100 horas de utilização.

12. INSTRUÇÕES DE LUBRIFICAÇÃO



PRECAUÇÃO: DESLIGUE A VELA DE IGNIÇÃO ANTES DA MANUTENÇÃO.

1. **RODAS** - Lubrifique os rolamentos de esferas em cada roda, no mínimo, uma vez por época com um óleo leve.
2. **MOTOR** - Siga o manual do motor para as instruções de lubrificação.
3. **CONTROLO LÂMINA** - Lubrifique os pontos de base na pega de controlo da lâmina e no cabo do travão, no mínimo, uma vez por época com óleo leve. O controlo da lâmina tem de operar livremente em ambas as direcções.

13. LIMPEZA



PRECAUÇÃO: Não lave o motor com uma mangueira. A água pode danificar o motor ou contaminar o sistema de combustível.

1. Limpe a carenagem com um pano seco.
2. Lave com uma mangueira a parte inferior da carenagem inclinando o cortador de grama de modo a que a vela de ignição esteja para cima.

13-1 FILTRO DE AR DO MOTOR



PRECAUÇÃO: Não permita que a sujidade ou o pó obstruam o elemento de espuma do filtro de ar. O filtro de ar do motor tem de ser mantido (limpo) após 25 horas de corte normal. O elemento de espuma tem de ser limpo regularmente se o cortador de grama for utilizado em condições poeirentas e secas. (Consulte MANUAL DO PROPRIETÁRIO DO MOTOR)

Para LIMPAR FILTRO DE AR

1. Retire o parafuso. (Fig. 10A, Fig. 10B)
2. Retire a tampa.
3. Lave o filtro em água com sabão. **NÃO UTILIZE GASOLINA!**
4. Ventile o filtro até secar.
5. Coloque algumas gotas de óleo SAE30 no filtro de espuma e aperte bem para remover qualquer excesso de óleo.
6. Instale novamente o filtro.



NOTA: Substitua o filtro se estiver desgastado, rasgado, danificado ou impossível de limpar.

13-2 LÂMINA DE CORTE



PRECAUÇÃO: Certifique-se de que desliga e liga o fio da vela de ignição à terra antes de trabalhar na lâmina de corte para evitar arranques acidentais do motor. Proteja as mãos utilizando luvas robustas ou um pano para agarrar as lâminas de corte. Vire o cortador de grama conforme especificado no manual do motor separado. Retire o parafuso e anilha sextavados que fixam a lâmina e o adaptador da lâmina à cambota do motor. Retire a lâmina e adaptador da cambota.



AVISO: Inspeccione periodicamente o adaptador da lâmina por fissuras, especialmente se chocar contra um objecto estranho. Substitua quando necessário. Para obter os melhores resultados, as lâminas devem estar afiadas. A lâmina pode ser afiada removendo-a e chanfrando ou limando a extremidade de corte mantendo o mais idêntico possível com o ângulo original. É extremamente importante que cada extremidade de corte receba uma quantidade igual de chanfragem para evitar uma lâmina irregular. Um lâmina irregular irá resultar na vibração excessiva causando eventuais danos no motor e no cortador de grama. Certifique-se de que equilibra bem a lâmina após afiar. Pode testar o equilíbrio da lâmina equilibrando-a numa chave de fendas de eixo redondo. Retire metal do lado pesado até ficar equilibrada. Antes de montar a lâmina e o adaptador da lâmina na unidade, lubrifique a cambota do motor e a superfície interior do adaptador da lâmina com óleo leve. Instale o adaptador de lâmina na cambota do motor. Consulte a **Fig. 11**. Coloque a lâmina com o número da peça na direcção oposta do adaptador. Alinhe a anilha sobre a lâmina e introduza o parafuso sextavado. Aperte o parafuso sextavado ao binário listado abaixo:

13-3 BINÁRIO DE MONTAGEM DA LÂMINA

Parafuso central 40Nm-50Nm, para garantir um funcionamento seguro da sua unidade. TODAS as porcas e parafusos têm de ser verificados periodicamente por um aperto correcto.

Após a utilização prolongada, especialmente em condições de solo arenoso, a lâmina irá ficar desgastada e perder a forma original. A eficiência de corte irá diminuir e a lâmina deve ser substituída. Substitua apenas por uma lâmina de reposição aprovada pela fábrica. Os possíveis danos resultantes do estado de desequilíbrio da lâmina não são da responsabilidade do fabricante. Quando substitui a lâmina, tem de utilizar o tipo original marcado na lâmina (MAKITA 263001826) (para encomendar a lâmina, contacte o fornecedor local ou a nossa empresa).



AVISO: Não toque na lâmina rotativa.

13-4 MOTOR

Consulte o manual do motor separado para as instruções de manutenção do motor.

Faça a manutenção do óleo conforme indicado no manual do motor separado e embalado com a unidade. Leia atentamente e cumpra as instruções.

Faça a manutenção do filtro de ar conforme o manual do motor separado, sob condições normais.

Limpe em intervalos de poucas horas sob condições extremamente poeirentas. Um desempenho fraco do motor e inundação indica, normalmente, que deve efectuar a manutenção do filtro de ar.

Para fazer a manutenção do filtro de ar, consulte o manual do motor separado e embalado com a unidade. A vela de ignição deve ser limpa e a folga calibrada uma vez por época. A substituição da vela de ignição é recomendada no início de cada época de corte; verifique o manual do motor para o tipo de vela e especificações de folga correctos.

Limpe o motor regularmente com um pano ou escova. Mantenha o sistema de arrefecimento (área da estrutura do ventilador) limpo para permitir uma circulação adequada do ar, que é essencial para o desempenho e vida útil do motor. Certifique-se de que retira toda a relva, sujidade e detritos de combustível da área do silenciador.

14. INSTRUÇÕES DE ARMAZÉNAMENTO (FORA DE ÉPOCA)

Os passos seguintes devem ser seguidos para preparar o cortador de grama para armazenamento.

1. Esvazie o depósito após o último corte da estação.
 - a) Esvazie o depósito de gasolina com uma bomba de aspiração.



PRECAUÇÃO: Não drene a gasolina em espaços fechados, perto de chamas abertas, etc. Não fume! Os vapores da gasolina podem causar explosões ou incêndios.

- b) Ligue o motor e deixe-o em funcionamento até gastar a gasolina restantes e parar.
 - c) Retire a vela de ignição. Utilize uma galheta de óleo para encher aprox. 20 ml de óleo na câmara de combustão. Utilize o motor de arranque para distribuir uniformemente o óleo na câmara de combustão. Substitua a vela de ignição.
2. Limpe e lubrifique o cortador de grama com cuidado como descrito acima em "Lubrificação".
 3. Lubrifique ligeiramente o cortador para evitar corrosão.
 4. Guarde o cortador de grama num local seco, limpo e protegido do gelo, fora do alcance de pessoas não autorizadas.



PRECAUÇÃO: O motor tem de arrefecer por completo antes de guardar o cortador de grama.



- NOTA:**
- Ao guardar qualquer tipo de equipamento eléctrico numa barraca não ventilada ou de armazenamento de material, deve ter cuidado para proteger o equipamento contra a ferrugem. Utilizando um óleo

leve ou silicone, revista o equipamento, especialmente cabos e todas as peças móveis.

- Tenha cuidado para não dobrar ou torcer cabos.
- Se o cabo do motor de arranque se desligar do guia do cabo na pega, desligue e ligue o fio da vela de ignição à terra. Pressione a pega de controlo da lâmina e retire o cabo do motor de arranque do motor lentamente. Introduza o cabo do motor de arranque no parafuso do guia do cabo na pega.

Transporte

Desligue o motor. Certifique-se de que não dobra nem danifica o cortador quando empurrar o cortador de grama sobre obstáculos.

15. RESOLUÇÃO DE PROBLEMAS

PROBLEMA	CAUSA PROVÁVEL	AÇÃO DE CORRECÇÃO
O motor não arranca.	Manipulo do ar do acelerador na posição incorrecta para as condições predominantes.	Desloque o manipulo do ar do acelerador para a posição correcta.
	O depósito de combustível está vazio.	Abasteça o depósito com combustível: consulte MANUAL DO PROPRIETÁRIO DO MOTOR.
	O filtro de ar está sujo.	Limpe o filtro de ar: consulte MANUAL DO PROPRIETÁRIO DO MOTOR.
	Vela de ignição solta.	Aperte a vela de ignição a 25-30 Nm.
	Fio da vela de ignição solto ou desligado da vela.	Instale o fio da vela de ignição na vela de ignição.
	A folga da vela de ignição está incorrecta.	Defina a folga entre os eléctrodos de 0,7 a 0,8 mm.
	Vela de ignição defeituosa.	Instale uma vela nova com uma folga correcta. consulte MANUAL DO PROPRIETÁRIO DO MOTOR.
	O carburador está encharcado de combustível.	Retire o filtro de ar e puxe o cabo do motor de arranque continuamente até o carburador se limpar autonomamente e instale o filtro de ar.
	Módulo de ignição avariado.	Contacte o agente de assistência.
Dificuldade do motor em arrancar ou perde potência.	Sujidade, água ou depósito de combustível deteriorado.	Purgue o combustível e limpe o depósito. Abasteça o depósito com combustível novo e limpo.
	O orifício de ventilação no tampão do depósito de combustível está obstruído.	Limpe ou substitua o tampão do depósito de combustível.
	O filtro de ar está sujo.	Limpe o filtro de ar.
O motor funciona irregularmente.	Vela de ignição defeituosa.	Instale uma vela nova com uma folga correcta. consulte MANUAL DO PROPRIETÁRIO DO MOTOR.
	A folga da vela de ignição está incorrecta.	Defina a folga entre os eléctrodos de 0,7 a 0,8 mm.
	O filtro de ar está sujo.	Limpe o filtro de ar: consulte MANUAL DO PROPRIETÁRIO DO MOTOR.
Fraco ralenti do motor.	O filtro de ar está sujo.	Limpe o filtro de ar: consulte MANUAL DO PROPRIETÁRIO DO MOTOR.
	As ranhuras de ar na blindagem do motor estão obstruídas.	Retire os detritos das ranhuras.
	As alhetas de arrefecimento e as passagens de ar na estrutura do ventilador do motor estão obstruídas.	Retire os detritos das alhetas de arrefecimento e das passagens de ar.
O motor salta a alta velocidade.	A folga entre os eléctrodos da vela de ignição é demasiado próxima.	Defina a folga entre os eléctrodos de 0,7 a 0,8 mm.
O motor sobreaquece.	O caudal de ar de arrefecimento é limitado.	Retire quaisquer detritos das ranhuras na blindagem, estrutura do ventilador e passagens de ar.
	Vela de ignição incorrecta.	Instale a vela de ignição RJ19LMC e as alhetas de arrefecimento no motor.
O cortador de grama vibra anormalmente.	O conjunto de corte está solto.	Aperte a lâmina.
	O conjunto de corte está desequilibrado.	Equilibre a lâmina.

16. GARANTIA

Este produto está sob garantia de acordo com a legislação durante um período de 12 meses a partir da data de compra do primeiro utilizador. Esta garantia abrange todas as falhas do material ou de produção, não inclui defeitos devido a peças de desgaste normal, como rolamentos, escovas, cabos, fichas ou

acessórios como brocas, lâminas etc.; danos ou defeitos resultantes de abuso, acidentes ou alterações; nem os custos de transporte.

Reservamo-nos o direito de rejeitar qualquer reclamação na qual a compra não possa ser verificada ou quando é óbvio que o produto não teve uma manutenção adequada. (Ranhuras de ventilação limpas, escovas de carvão com manutenção regular.)

O recibo tem de ser guardado com prova da data de compra.

A sua ferramenta não desmontada tem de ser devolvida ao fornecedor num estado aceitavelmente limpo, na caixa original, se aplicável à unidade, acompanhada pelo comprovativo de compra.

17. AMBIENTE

Caso a máquina necessite de ser substituída após utilização prolongada, não a coloque no lixo doméstico e elimine-a de forma segura para o ambiente.

18. DECLARAÇÃO DE CONFORMIDADE CE

(Apenas para os países europeus)

Nós, a Makita Corporation, como fabricante responsável, declaramos que a(s) máquina(s) Makita seguinte(s):

Designação da máquina: Cortador de Grama a Gasolina
Nº/Tipo de modelo: PLM5120, PLM5121
Especificações: Consulte "4. DADOS TÉCNICOS"
são de produção em série e

Está em conformidade com as directivas europeias seguintes:

2004/108/EC, 2006/42/EC, 2000/14/EC&2005/88/EC

E são fabricadas de acordo com as normas e documentos padronizados seguintes:

EN ISO 14982, EN836

A documentação técnica é mantida pelo nosso representante autorizado na Europa, que é:

Makita International Europe Ltd.
Michigan Drive, Tongwell,
Milton Keynes, Bucks MK15 8JD, Inglaterra

O procedimento de avaliação da conformidade requisitado pela Directiva 2000/14/EC estava em conformidade com o anexo V.

Corpo notificado:

TÜV SÜD Industrie Service GmbH
Westendstraße 199, 80686 München, Alemanha
Número de identificação: 0036

Modelo: PLM5120

Nível de potência sonora medida: 92,3 dB (A)

Nível de potência sonora garantida: 98 dB (A)

Modelo: PLM5121

Nível de potência sonora medida: 92,4 dB (A)

Nível de potência sonora garantida: 98 dB (A)

30.11.2011



Tomoyasu Kato
Director
Makita Corporation
3-11-8, Sumiyoshi-cho,
Anjo, Aichi, JAPAN

Forklaring til generel oversigt

- | | | |
|-------------------------|-----------------------|------------------|
| 1. Bremsekontrolhåndtag | 7. Kabelklemme | 13. Oliedæksel |
| 2. Øverste håndtag | 8. Højdejusteringsarm | 14. Starthåndtag |
| 3. Kørehåndtag | 9. Klippeskjold | 15. Bolt |
| 4. Chokerhåndtag | 10. Sidelænsflap | 16. Skive |
| 5. Gennemføring | 11. Tændrør | 17. Spædebold |
| 6. Låsegreb | 12. Brændstofdæksel | 18. Skrue |

**ADVARSEL:**

For din egen sikkerheds skyld skal du læse denne brugsanvisning igennem, inden du anvender din nye enhed. Hvis du ikke følger instruktionerne, kan det medføre alvorlig personskade. Brug nogle få øjeblikke på at lære plæneklipperen at kende hver gang inden brug.

1. SYMBOLER PÅ PRODUKTET

Læs brugsanvisningen.



Hold andre tilstedeværende på afstand.



Vær meget opmærksom på hænder og fødder for at undgå personskader.



Brændstof er letantændeligt, så hold afstand til åben ild. Påfyld ikke brændstof på en kørende maskine.



Giftige dampe. Må ikke anvendes indendørs.



Under græsklipning skal operatøren anvende beskyttelsesbriller og ørepropper for at beskytte sig selv.



Ved reparation skal tændrøret fjernes først, og derefter skal reparationen udføres i henhold til brugsanvisningen.



Forsigtig: Motoren er varm.

2. GENERELLE SIKKERHEDSREGLER

ADVARSEL: Ved anvendelse af benzindrevne maskiner skal de grundlæggende forholdsregler, inklusive de følgende, altid overholdes for at reducere risikoen for personskade og/eller beskadigelse af enheden. Læs alle disse instruktioner inden anvendelse af dette produkt og gem instruktionerne, så du altid har dem.



ADVARSEL: Denne maskine frembringer et elektromagnetisk felt under anvendelsen. Dette felt kan under visse omstændigheder interferere med aktive eller passive medicinske implantater. For at reducere risikoen for alvorlige eller fatale skader anbefaler vi, at personer med medicinske implantater konsulterer deres læge og producenten af de medicinske implantater inden anvendelse af denne maskine.

Træning

- Læs omhyggeligt instruktionerne igennem. Gør dig bekendt med betjeningen og den korrekte anvendelse af udstyret.
- Lad aldrig børn eller personer, som ikke har kendskab til disse instruktioner, anvende plæneklipperen. Lokale bestemmelser kan sætte begrænsninger for brugerens alder.
- Klip aldrig græs mens der er personer, især børn, eller kæledyr i nærheden.
- Vær opmærksom på, at operatøren eller brugeren er ansvarlig for ulykker eller farlige situationer, der måtte opstå mod andre personer eller deres ejendele.

Forberedelse

- Bær altid robust fodtøj og lange bukser under plæneklipning. Anvend ikke maskinen med bare fødder eller åbne sandaler.
- Gennemgå grundigt det område hvor maskinen skal anvendes, og fjern alle de genstande der kan blive kastet ud af maskinen.
- ADVARSEL-** Benzin er meget brandfarligt.
 - Opbevar brændstof i beholdere, som er særligt beregnet til dette formål.

- Påfyld kun brændstof udendørs og ryg ikke under påfyldningen.
- Påfyld brændstof inden start af motoren. Tag aldrig dækslet af brændstofftanken eller påfyld benzin, mens motoren kører, eller når motoren er varm.
- Hvis der spildes benzin, skal du ikke forsøge at starte motoren, men flytte maskinen væk fra det sted, hvor der blev spildt, og undgå alt der kan være kilde til antændelse, indtil benzindampene er fordampet.
- Husk at skrue dæksler ordentligt på alle brændstofftanke og beholdere.
- Udskift defekte støjdæmpere.
- Inden brug skal du altid se efter slid eller skader på knivene, knivboltene og knivmonteringen. Udskift slidte eller beskadigede knive og bolte sætvis for at opretholde balancen.

Betjening

- Anvend ikke motoren på et indelukket sted, hvor der kan ophobes farlige kullitedampe.
- Klip kun græs i dagslys eller under god kunstig belysning.
- Undgå at anvende maskinen i vådt græs, hvor det er muligt.
- Sørg altid for et godt fodfæste på skråninger.
- Gå, løb aldrig.
- Med kørende roterende maskiner skal klipningen foregå på tværs af skråninger og aldrig op og ned.
- Vær meget forsigtig ved retningsændringer på skråninger.
- Klip ikke græs på meget stejle skråninger.
- Vær meget forsigtig, når du bakker eller trækker plæneklipperen ind mod dig selv.
- Stop kniven(e) hvis plæneklipperen skal vippes af hensyn til transport over andre overflader end græs, eller når plæneklipperen transporteres til og fra det område, hvor der skal klippes græs.
- Benyt aldrig plæneklipperen, hvis beskyttelseskærmene er beskadiget eller uden påmonteret sikkerhedsudstyr som f.eks. deflektorer og/eller græsopsamlere.
- Du skal ikke ændre ikke motorens regulatorindstillinger eller køre motoren hurtigere end anbefalet.
- Afbryd alle knive og drivkoblinger inden start af motoren.
- Start motoren forsigtigt i henhold til instruktionerne og med fødderne på god afstand af kniven(e).
- Du skal ikke vippe plæneklipperen, når motoren startes.
- Start ikke motoren, mens du står foran græsudkastet.
- Stik ikke hænder eller fødder ind i nærheden af eller under roterende dele. Hold dig altid væk fra udkastningsåbningen.
- Løft eller bær aldrig en plæneklipper, mens motoren kører.
- Stands motoren og afbryd tændrørskablet, sørg for at alle bevægelige dele er fuldstændigt stoppet og fjern nøglen i tilfælde af, at der anvendes en nøgle:
 - Inden fjernelse af hindringer eller rensning af græsudkastet.
 - Inden kontrol, rengøring eller arbejde på plæneklipperen.

- Efter du har ramt et fremmedlegeme. Kontroller plæneklipperen for skader og udfør reparationer inden start eller betjening af plæneklipperen.
- Hvis plæneklipperen begynder at vibrere unormalt (kontroller straks).
- Stands motoren og afbryd tændrørskablet, sørg for at alle bevægelige dele er fuldstændigt stoppet og fjern nøglen i tilfælde af, at der anvendes en nøgle:
 - Når du forlader plæneklipperen.
 - Inden påfyldning af brændstof.
- Reducer gasindstillingen under nedlukning af motoren og sluk for brændstoffet efter endt plæneklipping, hvis motoren er udstyret med en lukkeventil.

Vedligeholdelse og opbevaring

- Sørg for, at alle møtrikker, bolte og skruer er strammet, så maskinen altid er klar til brug.
- Opbevar aldrig maskiner med benzin i tanken inde i en bygning, hvor dampe kan komme i kontakt med åben ild eller gnister.
- Lad motoren køle af, inden den opbevares på et aflukket sted.
- For at reducere brandrisikoen skal motoren, støjdæmperen, batterirummet og benzinopbevaringsområdet holdes fri for græs, blade og overdrevet meget smøremiddel.
- Kontroller jævnligt græsopsamleren for slid eller beskadigelse.
- Udskift slidte eller beskadigede dele af sikkerhedshensyn.
- Hvis brændstofftanken skal tømmes, skal dette udføres udendørs.



ADVARSEL: Rør ikke ved roterende knive.



ADVARSEL: Påfyld brændstof på et sted med god ventilation og med motoren standset.

3. BESKRIVELSE AF DELE (Fig. 1A og 1B)

Indeholdende

A: Tændrørsnøgle

B: Udkastningskanal

4. TEKNISKE DATA

Model	PLM5121	PLM5120
Motorstype	B&S675EX-serien, ReadyStart, 126T	B&S625E-serien, 122T
Selvdrevet	Ja	Nej
Motorvolumen	190 cm ³	190 cm ³
Knivbredde	510 mm	510 mm
Nominel hastighed	2.800/min.	2.800/min.
Kapacitet for brændstoftank	1,0 l	1,0 l
Nettovægt	31,7 kg	28 kg
Højdejustering:	25-70 mm, 5 justeringer	
L _{pA} (SPL) på brugerens plads (k = 3 dB (A))	79,2 dB (A)	78,9 dB (A)
Garanteret lydeffektniveau L _{wA}	98 dB (A)	98 dB (A)
Vibration (k = 1,5 m/s ²)	2,305 m/s ²	2,056 m/s ²

5. MONTERING

5-1 MONTERING AF FOLDEHÅNDTAGET

1. Fastgør de nederste håndtagsstænger til maskinen med låsegrebene som vist. (Fig. 2A, Fig. 2B, Fig. 2C, Fig. 2D)
2. Tilslut det øverste håndtag til det nederste håndtag vha. låsegrebet. (Fig. 2E, Fig. 2F, Fig. 2G)
3. Monter kabelklemmen på den viste position og monter derefter kablet. (Fig. 2H)

6. JUSTERING AF KLIPPEHØJDE

Tryk udad for at løsne armen fra tandstangen. Flyt armen fremad eller bagud for at justere højden.

Højden (fra kniven til jorden) kan justeres fra 25 mm (1 position: den laveste position) til 70 mm (5 position: den højeste position), 5 højdepositioner. (Fig. 3A, Fig. 3B).

Stand plæneklipperen og afbryd tændrørskablets forbindelse, inden du ændrer plæneklipperens klippehøjde.



ADVARSEL: Foretag kun denne justering, mens kniven er stoppet.

7. JUSTERING TIL EN PASSENDE HØJDE (Fig. 4A, Fig. 4B)

1. Se Fig. 4A og skru de låsegreb ud, der fastgør det nederste håndtag.
2. Se Fig. 4B og flyt det nederste håndtag op og ned for at justere det på den passende højde. Der kan vælges mellem 3 højdejusteringer på denne type plæneklipper. På position 1 er højden størst, og på position 3 er højden lavest.
3. Juster ind på den passende højde og fastgør derefter det nederste håndtag med låsegrebene.



ADVARSEL: Det nederste håndtags venstre og højre side skal være justeret ind på den samme højde.

8. STARTHÅNDTAG (Fig. 5)

Flyt starthåndtaget fra motoren til gennemføringen.

9. "2 | 1"

9-1 INDSTILLING TIL SIDEUDKASTNINGSKLIPNING

1. Løft sidelænsflappen for sideudkast. (Fig. 6A)
2. Monter udkastlederen for sideudkast på støttepinden på sidelænsflappen. (Fig. 6A, Fig. 6B)
3. Sænk sidelænsflappen - flappen ligger på udkastningskanalen. (Fig. 6C)



Kun når motoren og kniven er standset!

9-2 MULCHING-PLÆNEKLIPPER

Hvad er mulching?

Ved mulching (bioklip) klippes græsset i første arbejdsstrin, derefter findeles det og returneres til græsplænen som naturlig gødning.

Tips angående mulching (bioklip):

- Regelmæssig klipning af maks. 2 cm fra 6 cm til 4 cm højt græs.
- Brug en skarp kniv
- Klip ikke i vådt græs
- Indstil på maksimal motorhastighed
- Gå kun frem i gå-tempo
- Rens jævnligt mulching-kilen, indersiden af huset og kniven



ADVARSEL: Kun med en standset motor og stoppet kniv.

1. Løft sidelænsflappen og fjern udkastningskanalen. (Fig. 7A, Fig. 7B)

- Sidelænsflappen lukker automatisk græsudkastet på huset vha. en fjedermekanisme.
- Rens jævnlgt sidelænsflappen og græsudkastet for græsrester og fastsiddende snavs.

Slip bremsekontrolhåndtaget for at standse motoren og kniven. (Fig. 8D)



Start motoren forsigtigt i henhold til instruktionerne og med fødderne på god afstand af kniven.



Du skal ikke vippe plæneklipperen, når motoren startes. Start plæneklipperen på et jævnt underlag, fri for højt græs eller andre hindringer.



Hold hænder og fødder på afstand af de roterende dele. Start ikke motoren, mens du står foran græsudkastet.

10. BETJENINGSINSTRUKTIONER

10-1 INDEN DU STARTER

Fyld benzin og olie på motoren som anvist i den separate motorvejledning, der kom sammen med plæneklipperen. Læs omhyggeligt instruktionerne igennem.



ADVARSEL: Benzin er meget brandfarligt.

Opbevar brændstof i beholdere, som er særligt beregnet til dette formål.

Påfyld kun brændstof udendørs, inden du starter motoren, og undlad at ryge, mens du påfylder eller håndterer brændstof.

Tag aldrig dækslet af brændstoftanken eller påfyld benzin, mens motoren kører, eller når motoren er varm.

Hvis der spildes benzin, skal du ikke forsøge at starte motoren, men flytte maskinen væk fra det sted, hvor der blev spildt, og undgå alle antændelseskilder indtil benzindampene er fordampet.

Husk at skrue dæksler ordentligt på alle brændstoftanke og beholdere.

Inden du vipper plæneklipperen for at vedligeholde kniven eller tømme olien af, skal du tømme tanken for brændstof.



ADVARSEL: Fyld aldrig brændstof på brændstoftanken indendørs, med motoren kørende, eller før motoren har fået lov til at køle af i mindst 15 minutter efter brug.

10-2 START AF MOTOR OG AKTIVERING AF KNIV

1. Enheden er udstyret med en gummihætte over tændrøret. Sørg for at metalstroppen på tændrørskablet (inde i gummihætten) er ordentligt fastgjort på tændrørets metalspids.
 - 2.1. For PLM5121:

Når du starter en kold eller varm motor, skal du sætte chokerhåndtaget på et sted mellem "☞" - positionen og "☞☞" - positionen. Under anvendelse skal du sætte chokerhåndtaget på "☞☞" - positionen. (Fig. 8B)
 - 2.2. For PLM5120:

Når du starter en kold motor, skal du trykke på spædebolden 3-5 gange, inden du starter motoren, og sætte chokerhåndtaget hen på "☞" - positionen. Når du starter en varm motor og begynder anvendelse, skal du dreje chokerhåndtaget over på "☞☞" - positionen. (Fig. 8A, Fig. 8B)
3. Mens du står bag ved enheden, skal du gribe fat i bremsekontrolhåndtaget og holde det ind mod det øverste håndtag som vist i Fig. 8C.
4. Grib fat i starthåndtaget som vist i Fig. 8C og træk det hurtigt op. Før det langsomt tilbage til gennemføringsbolten efter motoren er startet.

10-3 BETJENINGSPROCEDURER

Under anvendelse skal du holde godt fast i bremsekontrolhåndtaget med begge hænder.



BEMÆRK: Hvis bremsekontrolhåndtaget slippes under anvendelsen, standser motoren, og derfor stopper plæneklipperen med at køre.

10-4 SÅDAN STANDSES MOTOREN



FORSIGTIG: Kniven fortsætter med at rotere nogle få sekunder, efter motoren er slukket.

1. Slip bremsekontrolhåndtaget for at standse motoren og kniven.
2. Afbryd og jord tændrørskablet som anvist i den separate motorvejledning for at forhindre utilsigtet start, mens maskinen ikke er under opsyn.

10-5 AKTIVERING AF SELVTRÆK

For PLM5121

Plæneklipperen begynder at bevæge sig automatisk fremad med ca. 3,6 km/s (Fig. 9), når du griber om kørehåndtaget, og standser, når du slipper kørehåndtaget.



FORSIGTIG: Din plæneklipper er designet til at klippe almindeligt havegræs, der ikke er højere end 250 mm.

Forsøg ikke at klippe gennem ualmindelig højt tørt eller vådt græs (f.eks. en græsmark) eller bunker af tørre blade. De afklippede materialer kan ophobes på klippeskjoldet eller komme i kontakt med motorudstødningen og udgøre en potentiel brandrisiko.

10-6 SÅDAN OPNÅS DE BEDSTE GRÆSKLIPNINGSRISULTATER

Ryd græsplænen for affald. Sørg for at græsplænen er fri for sten, grene, ståltråd eller andre fremmedlegemer, der eventuelt ved et uheld kan blive slynget ud af plæneklipperen i en hvilken som helst retning og forvolde alvorlig personskade på operatøren og andre, såvel som skader på materiel og omkringliggende genstande. Klip ikke vådt græs. For at opnå en effektiv klipping af græsset

ikke klippe vådt græs, da det har tendens til at sætte sig fast i klippeskjoldet og forhindre ordentlig klipping af det afklippede græs. Klip ikke mere end 1/3 af græssets længde. Den anbefalede græsklipning er 1/3 af græssets længde. Hastigheden over jorden skal justeres, sådan at de afklippede stykker kan fordeles jævnt ind på plænen. Især ved kraftig klipping af tykt græs kan det være nødvendigt at bruge en af de laveste hastigheder for at få et rent, fint klip. Ved klipping af langt græs er du muligvis nødt til at klippe plænen af to omgange, hvor du sænker kniven med endnu en 1/3 af længden ved andet klip og eventuelt klipper græsset i et andet mønster, end det der blev anvendt første gang. En lille smule overlappning af klippet for hver gang, hjælper også med til at fjerne eventuelt spredte afklippede rester, der ligger tilbage på plænen. Plæneklipperen bør altid anvendes ved fuld gas for at få det rene snit og give maskinen mulighed for at udføre den bedst mulige klipping. Rens undersiden af klippeskjoldet. Sørg for at rense undersiden af klippeskjoldet hver gang efter brug for at undgå en ophobning af græs, hvilket ellers forhindrer ordentlig mulching. Klipping af blade. Klipping af blade kan også være godt for din græsplæne. Ved klipping af blade skal du sørge for, at de er tørre, samt at der ikke ligger et alt for tykt lag på græsplænen. Du skal ikke vente til alle bladene er faldet af træerne, før du udfører klipping.



ADVARSEL: Hvis du støder på et fremmedlegeme, skal motoren standses. Fjern kablet fra tændrøret og efterse plæneklipperen nøje for skader, og reparer skaden inden du starter og anvender plæneklipperen igen. Hvis plæneklipperen vibrerer voldsomt under anvendelse, kan det være et tegn på beskadigelse. Enheden bør straks efterses og repareres.

10-7 KLIPPESKJOLD

Undersiden af plæneklipperens klippeskjold bør renses hver gang efter brug for at forhindre ophobning af afklippede græsrester, blade, snavs eller andre materialer. Hvis de afklippede rester får lov til at ophobe sig, medvirker det til rust- og korrosionsdannelse og kan forhindre ordentlig mulching. Klippeskjoldet kan renses ved at vippe plæneklipperen og skrabe det rent med et passende værktøj (sørg for at tændrørskablets forbindelse er afbrudt).

11. VEDLIGEHOLDELSESINSTRUKTIONER

TÆNDRØR

Udskift kun med originale tændrør. Du opnår det bedste resultat ved at udskifte tændrøret efter hver 100 timers brug.

12. SMØREINSTRUKTIONER



FORSIGTIG: ABRYD TÆNDRØRETS FORBINDELSE INDEN EFTERSYN.

1. HJUL-Smør kuglelejerne på hvert hjul mindst én gang i sæsonen med en let olie.

2. MOTOR-Følg motorvejledningen angående instruktioner for smøring.
3. KNIVKONTROL-Smør omdrejningsaksene på knivkontrolhåndtaget og bremsekablet mindst én gang i sæsonen med en let olie. Knivkontrollen skal kunne bevæges frit i begge retninger.

13. RENGØRING



FORSIGTIG: Spul ikke motoren med en vandslange. Vandet kan beskadige motoren og forurene brændstofsystemet.

1. Tør klippeskjoldet af med en tør klud.
2. Spul med en vandslange under klippeskjoldet ved at vippe plæneklipperen, sådan at tændrøret er opad.

13-1 MOTORLUFTFILTER



FORSIGTIG: Sørg for at snavs eller støv ikke tilstopper luftfilterets skumelement. Motorens luftfilterelement skal efterses (renses) efter 25 timers normal plæneklipping. Skumelementet skal efterses regelmæssigt, hvis plæneklipperen anvendes under tørre, støvede forhold. (Se BRUGERVEJLEDNING TIL MOTOR)

SÅDAN RENSES LUFTFILTERET

1. Fjern skruen. (Fig. 10A, Fig. 10B)
2. Fjern dækslet.
3. Vask filterelementet i sæbevand. **BRUG IKKE BENZIN!**
4. Lufttør filterelementet.
5. Put et par dråber SAE30-olie på skumfilteret og vrid det omhyggeligt for at fjerne eventuelt overskud af olie.
6. Monter filteret igen.



BEMÆRK: Udskift filteret hvis det er flosset, flåset, beskadiget eller ikke kan renses.

13-2 KNIV



FORSIGTIG: Sørg for at afbryde og jorde tændrørskablet inden arbejdet med kniven for at forhindre utilsigtet start af motoren. Beskyt hænderne ved at anvende tykke handsker eller en klud, når du griber om knivene. Vip plæneklipperen som anvist i den separate motorvejledning. Fjern sekskantbolten og skiven, der holder kniven og knivadapteren fast på motorens krumtapaksel. Afmonter kniven og adapteren fra krumtapakslen.



ADVARSEL: Efterse regelmæssigt knivadapteren for revner, især hvis du rammer et fremmedlegeme. Udskiftes om nødvendigt. Du opnår de bedste resultater med en skarp kniv. Kniven kan skærpes ved at afmontere den og enten slibe eller file knivsåggen, sådan at den oprindelige smig opretholdes så vidt muligt. Det er ekstremt vigtigt, at hver knivsåg

slibes lige meget for ikke at få en uafbalanceret kniv. En forkeret balanceret kniv medfører voldsomme vibrationer og kan forårsage skade på motoren og plæneklipperen. Sørg for at balancere kniven omhyggeligt efter slibning. Knivens balance kan testes ved at balancere den på en rundskåret skruetrækker. Fjern metal fra den tunge side indtil den balancerer jævnt.

Inden du monterer kniven og knivadapteren på enheden, skal du smøre motorens krumtapaksel og indersiden af knivadapteren med en let olie. Installer knivadapteren på motorens krumtapaksel. Se **Fig. 11**. Placer kniven med delnummeret vendende væk fra adapteren. Placer skiven over kniven og indsæt sekskantbolten. Stram sekskantbolten med det moment, der er anvist nedenfor:

13-3 KNIVMONTERINGSMOMENT

Midterbolt 40Nm-50Nm for at sikre sikker anvendelse af din enhed. ALLE møtrikker og bolte skal regelmæssigt kontrolleres for korrekt tilspænding.

Efter længere brug, især ved sandede jordforhold, bliver kniven slidt og mister noget af den oprindelige form. Effektiviteten af klipningen vil blive reduceres, og kniven bør udskiftes. Udskift kun kniven med en fabriksgodkendt kniv. Eventuelle skader pga. en uafbalanceret kniv er ikke producentens ansvar.

Når du udskifter kniven, skal du anvende den originale type, som er mærket på kniven (MAKITA 263001826) (kontakt din lokale forhandler eller ring til vores firma angående bestilling af en ny kniv).



ADVARSEL: Rør ikke ved roterende knive.

13-4 MOTOR

Se den separate motorvejledning angående instruktioner for motorvedligeholdelse.

Vedligehold motorolien som anvist i den separate motorvejledning, der kom sammen med din enhed. Læs og følg instruktionerne omhyggeligt.

Foretag eftersyn af luftfilteret som anvist i den separate motorvejledning under normale forhold.

Under ekstremt støvede forhold skal det altid renses efter nogle få timers brug. Dårlig motorydelse og drukning af motoren angiver, at luftfilteret bør efterses.

For at foretage eftersyn af luftfilteret skal du se den separate motorvejledning, der kom sammen med din enhed.

Tændrøret skal renses, og afstanden genindstilles én gang i sæsonen. Det anbefales, at udskifte tændrøret i starten af hver klippesæson; se motorvejledningen angående korrekt tændrørstype og afstandsspecifikationer.

Rens jævnligt motoren med en klud eller en børste. Hold afkølingssystemet (blæserhusområdet) rent for at sikre ordentlig luftcirkulation, hvilket er essentielt for motorydelse og -levetid. Sørg for at fjerne alt græs, snavs og brandbart materiale fra lydæmperområdet.

14. OPBEVARINGSINSTRUKTIONER (UDEN FOR SÆSONEN)

Følgende skridt bør tages for at klargøre plæneklipperen til opbevaring.

1. Tøm tanken efter sæsonens sidste klipning.

a) Tøm tanken med en pumpe.



FORSIGTIG: Tøm ikke benzin af i lukkede rum, i nærheden af åben ild osv. Rygning forbudt! Benzindampe kan forårsage eksplosion eller brand.

- Start motoren og lad den køre indtil den har opbrugt al den resterende benzin og standser.
 - Fjern tændrøret. Brug en oliekanne til at fylde ca. 20 ml olie i forbrændingskammeret. Aktivér starteren for at fordele olien jævnt i forbrændingskammeret. Udskift tændrøret.
- Rens og smør plæneklipperen omhyggeligt som beskrevet under "Smøring".
 - Påfør lidt smørelse på kniven for at forhindre rust.
 - Opbevar plæneklipperen på et tørt, rent og frostbeskyttet sted, uden for uautoriserede personers rækkevidde.



FORSIGTIG: Motoren skal være kølet fuldstændigt ned, inden plæneklipperen gemmes væk.



BEMÆRK:

- Ved opbevaring af maskiner i et uventileret skur eller materialeopbevaringsskur skal der sørges for rustforebyggelse af maskinerne. Brug en let olie eller silikoneolie til at lægge en hinde over udstyret, især kabler og alle bevægelige dele.
- Sørg for ikke at bøje eller knække kabler.
- Hvis startsnoren løsner sig fra gennemføringen på håndtaget, skal du afbryde og jorde tændrørskablet, trykke ind på knivkontrolhåndtaget og langsomt trække startsnoren ud fra motoren. Før startsnoren ind i gennemførbolten på håndtaget.

Transport

Sluk for motoren. Sørg for ikke at bøje eller beskadige kniven, når du skubber plæneklipperen over forhindringer.

15. FEJLFINDING

PROBLEM	SANDSYNLIG ÅRSAG	AFHJÆLPNING
Motoren starter ikke.	Gashåndtaget er ikke i den rigtige position under de aktuelle forhold.	Flyt gashåndtaget hen på den rigtige position.
	Brændstoftanken er tom.	Fyld brændstof på tanken: se BRUGERVEJLEDNING TIL MOTOR.
	Luftfilterelementet er beskidt.	Rens luftfilterelementet: se BRUGERVEJLEDNING TIL MOTOR.
	Løst tændrør.	Stram tændrøret til 25-30 Nm.
	Tændrørskablet er løst eller afbrudt fra stikket.	Monter tændrørskablet på tændrørstikket.
	Forkert tændrørsafstand.	Indstil afstanden mellem elektroderne på 0,7 til 0,8 mm.
	Tændrøret er defekt.	Monter et nyt tændrør med korrekt tændrørsafstand. se BRUGERVEJLEDNING TIL MOTOR.
	Karburatoren er druknet i brændstof.	Afmonter luftfilterelementet og fortsæt med at trække i startsnoren indtil karburatoren renser sig selv, og monter derefter luftfilterelementet.
	Defekt tændingsmodul.	Kontakt servicerepræsentanten.
Det er svært at starte motoren, eller den mister kraft.	Snavs, vand eller gammelt brændstof i tanken.	Tøm brændstoffet af og rens tanken. Fyld tanken med rent, frisk brændstof.
	Udluftningshullet i brændstoftankens dæksel er tilstoppet.	Rens eller udskift brændstoftankens dæksel.
	Luftfilterelementet er beskidt.	Rens luftfilterelementet.
Motoren kører ujævnt.	Tændrøret er defekt.	Monter et nyt tændrør med korrekt tændrørsafstand. se BRUGERVEJLEDNING TIL MOTOR.
	Forkert tændrørsafstand.	Indstil afstanden mellem elektroderne på 0,7 til 0,8 mm.
	Luftfilterelementet er beskidt.	Rens luftfilterelementet: se BRUGERVEJLEDNING TIL MOTOR.
Motoren går dårligt i tomgang.	Luftfilterelementet er beskidt.	Rens luftfilterelementet: se BRUGERVEJLEDNING TIL MOTOR.
	Luftåbningerne i motorhuset er blokeret.	Fjern græsrester fra åbningerne.
	Køleribber og luftpassager under motorens blæserhus er blokeret.	Fjern græsrester fra køleribber og luftpassager.
Motoren hopper ved høj hastighed.	Afstanden mellem tændrørets elektroder er for lille.	Indstil afstanden mellem elektroderne på 0,7 til 0,8 mm.
Motoren overopheder.	Gennemstrømningen af køleluft er begrænset.	Fjern eventuelle græsrester fra åbningerne i motorhuset, blæserhuset og luftpassager.
	Forkert tændrør.	Monter RJ19LMC-tændrør og køleribber på motoren.
Plæneklipperen vibrerer unormalt.	Knivmontagen er løs.	Stram kniven.
	Knivmontagen er ikke afbalanceret.	Afbalancer kniven.

16. GARANTI

Dette produkt er garanteret i henhold lovbestemmelser i en 12 måneders periode, der er gældende fra købsdatoen for den første bruger.

Denne garanti dækker alle materiale- eller produktionsfejl, men inkluderer ikke defekter pga. normalt slid af dele som f.eks. kuglelejer, børster, kabler, stik eller tilbehør som f.eks. bor, borebits, savklinger m.v., samt hverken skader eller defekter resulterende fra forkert brug, uheld eller ændringer eller transportomkostningerne.

Vi forbeholder os retten til at fraskrive alle krav, hvor købet ikke kan bekræftes, eller når det er tydeligt, at

produktet ikke er blevet ordentligt vedligeholdt. (Rene ventilationsåbninger, kulbørster regelmæssigt efterset.)

Din købskvittering skal gemmes som bevis på købsdatoen.

Din uadskilte maskine skal returneres til din forhandler i en acceptabel ren tilstand i dens originale formlæste kasse, hvis der følger en med enheden, sammen med dit købsbevis.

17. MILJØ

Skulle din maskine trænge til at blive udskiftet efter lang tids brug, skal den ikke bortskaffes sammen med

husholdningsaffald, men bortskaffes på en miljømæssig sikker måde.

18. EF- OVERENSSTEMMELSESERKLÆRING

(Kun for lande i Europa)

Vi, Makita Corporation, erklærer som ansvarlig producent at følgende Makita-maskine(r):

Maskinens betegnelse: Benzinplæneklipper

Modelnummer/ type: PLM5120, PLM5121

Specifikationer: Se "4. TEKNISKE DATA"

er en produktionsserie og

Overholder følgende europæiske direktiver:

2004/108/EF, 2006/42/EF, 2000/14/EF&2005/88/EF

Og er produceret i overensstemmelse med følgende standarder eller standardiserede dokumenter:

EN ISO 14982, EN836

Den tekniske dokumentation findes hos vores autoriserede repræsentanter i Europa:

Makita International Europe Ltd.

Michigan Drive, Tongwell,

Milton Keynes, Bucks MK15 8JD, England

Den konformitetsvurderingsprocedure, der kræves af

Direktiv 2000/14/EF, blev udført i henhold til appendiks V.

Underrettet organ:

TÜV SÜD Industrie Service GmbH

Westendstraße 199, 80686 München, Tyskland

Identifikationsnummer: 0036

Model: PLM5120

Målt lydeffektniveau: 92,3 dB (A)

Garanteret lydeffektniveau: 98 dB (A)

Model: PLM5121

Målt lydeffektniveau: 92,4 dB (A)

Garanteret lydeffektniveau: 98 dB (A)

30.11.2011



Tomoyasu Kato

Direktør

Makita Corporation

3-11-8, Sumiyoshi-cho,

Anjo, Aichi, JAPAN

- | | | |
|--|--------------------------------|------------------------------|
| 1. Χερούλι χειρισμού φρένου | 7. Σφικτήρας καλωδίου | 14. Χερούλι εκκινήτρια |
| 2. Πάνω χερούλι | 8. Μοχλός ρύθμισης ύψους | 15. Μπουλόνι |
| 3. Χερούλι χειρισμού αυτόματης κίνησης | 9. Πλατφόρμα | 16. Ροδέλα |
| 4. Μοχλός τσοκ | 10. Πτερύγιο πλευρικού θαλάμου | 17. Βολβός πλήρωσης καυσίμου |
| 5. Οδηγός σχαινοίου | 11. Μπουζί | 18. Βίδα |
| 6. Κουμπί ασφάλισης | 12. Τάπα καυσίμου | |
| | 13. Τάπα λαδιού | |



ΠΡΟΕΙΔΟΠΟΙΗΣΗ:

Για την δική σας ασφάλεια παρακαλώ διαβάστε αυτό το εγχειρίδιο πριν προσπαθήσετε να θέσετε σε λειτουργία την καινούργια σας συσκευή. Αν δεν ακολουθήσετε τις οδηγίες μπορεί να προκληθεί σοβαρός προσωπικός τραυματισμός. Αφιερώστε λίγο χρόνο για να εξοικειωθείτε με το χλοοκοπτικό πριν από την κάθε χρήση.

1. ΣΥΜΒΟΛΑ ΠΟΥ ΕΙΝΑΙ ΤΥΠΩΜΕΝΑ ΠΑΝΩ ΣΤΟ ΠΡΟΪΟΝ



Διαβάστε το εγχειρίδιο του χρήστη.



Κρατήστε μακριά τους παρευρισκόμενους.



Δώστε περισσότερη προσοχή στα χέρια και στα πόδια του χειριστή για να αποτρέψετε τον τραυματισμό.



Το καύσιμο είναι εύφλεκτο, κρατήστε μακριά τη φωτιά. Μην προσέχετε καύσιμο όταν λειτουργεί το μηχάνημα.



Τοξικοί ατμοί. Μην το λειτουργείτε μέσα στο σπίτι.



Κατά την κοπή χόρτων, παρακαλώ φοράτε γυαλιά και ωτοασπίδες για την προστασία του χειριστή.



Κατά την επισκευή, παρακαλώ βγάλτε το μπουζί και επισκευάστε σύμφωνα με το εγχειρίδιο οδηγιών.



Προσοχή: Ο κινητήρας είναι ζεστός.

2. ΓΕΝΙΚΟΙ ΚΑΝΟΝΕΣ ΑΣΦΑΛΕΙΑΣ



ΠΡΟΕΙΔΟΠΟΙΗΣΗ: Όταν χρησιμοποιείτε βενζινοκίνητα εργαλεία, πάντοτε πρέπει να ακολουθείτε όλες τις βασικές προφυλάξεις για την ασφάλεια, περιλαμβανομένων αυτών που περιγράφονται στη συνέχεια, για να μειώσετε τον κίνδυνο προσωπικού τραυματισμού και/ή βλάβης της συσκευής. Διαβάστε όλες τις οδηγίες πριν τον χειρισμό αυτού του προϊόντος και κρατήστε τις για μελλοντική αναφορά.



ΠΡΟΕΙΔΟΠΟΙΗΣΗ: Το μηχάνημα αυτό παράγει ένα ηλεκτρομαγνητικό πεδίο κατά τη λειτουργία. Το πεδίο αυτό, υπό ορισμένες συνθήκες, μπορεί να προκαλέσει παρεμβολή σε ενεργά ή παθητικά εμφυτεύματα. Για την μείωση του κινδύνου του σοβαρού ή του θανατηφόρου τραυματισμού, συνηγορούμε στα άτομα με ιατρικά εμφυτεύματα να συμβουλευτούν τον ιατρό τους και τον κατασκευαστή του ιατρικού εμφυτεύματος πριν από τον χειρισμό αυτού του μηχανήματος.

Εκπαίδευση

- Διαβάστε προσεκτικά τις οδηγίες. Εξοικειωθείτε με τα χειριστήρια και την σωστή χρήση του μηχανήματος.
- Ποτέ μην επιτρέψετε την χρήση του χλοοκοπτικού από παιδιά ή από άτομα που δεν γνωρίζουν αυτές τις οδηγίες. Μπορεί να υπάρχει περιορισμός όσον αφορά την ηλικία του χρήστη από την τοπική νομοθεσία.
- Ποτέ να μην κόβετε το γρασίδι όταν βρισκονται κοντά άλλα άτομα, ιδιαίτερα παιδιά ή κατοικίδια ζώα.
- Έχετε κατά νου ότι ο χρήστης ή ο χειριστής είναι υπεύθυνος για τα ατυχήματα ή τους κινδύνους που προκαλούνται στα άλλα άτομα ή στην ιδιοκτησία τους.

Προετοιμασία

- Κατά την κοπή του γρασιδιού πάντοτε να φοράτε ενισχυμένα παπούτσια και μακριά παντελόνια. Μην χειρίζεστε τη συσκευή όταν δεν φοράτε παπούτσια ή όταν φοράτε πέδιλα.
- Επιθεωρήστε σχολαστικά την περιοχή στην οποία θα χρησιμοποιηθεί η συσκευή και απομακρύνετε όλα τα

αντικείμενα τα οποία μπορούν να εκαφρονδοτιστούν από το μηχανήμα.

- **ΠΡΟΕΙΔΟΠΟΙΗΣΗ-** Η βενζίνη είναι πάρα πολύ εύφλεκτη.
 - Αποθηκεύστε το καύσιμο σε δοχεία που είναι ειδικά σχεδιασμένα για αυτό το σκοπό.
 - Ανεφοδιάστε σε εξωτερικό χώρο και να μην καπνίζετε κατά τη διάρκεια του ανεφοδιασμού.
 - Προσθέστε καύσιμο πριν την εκκίνηση του κινητήρα. Ποτέ να μην αφαιρέσετε την τάπα του ρεζερβουάρ καυσίμου ή να προσθέσετε βενζίνη καθώς ο κινητήρας λειτουργεί ή όταν ο κινητήρας είναι ζεστός.
 - Εάν η βενζίνη χυθεί κάτω μην προσπαθήσετε να ξεκινήσετε τον κινητήρα αλλά μετακινήστε το μηχανήμα μακριά από την περιοχή αυτή και αποφεύγετε να δημιουργήσετε την οποιαδήποτε πηγή ανάφλεξης έως ότου εξαιρεφθούν οι ατμοί της βενζίνης.
 - Επανατοποθετήστε καλά όλες τις τάπες του ρεζερβουάρ καυσίμου και των δοχείων.
- Αντικαταστήστε όλους τους σιγαστήρες που έχουν υποστεί βλάβη.
- Πριν από την χρήση, πάντοτε να κάνετε μια οπτική επιθεώρηση για να δείτε ότι δεν έχουν φθαρεί ή έχουν πάθει βλάβη οι λάμες, τα μπουλόνια των λαμών, και το συγκρότημα του κόφτη. Αντικαταστήστε ταυτόχρονα όλες τις λάμες και τα μπουλόνια που έχουν υποστεί φθορά ή ζημία για να διατηρήσετε την ζυγοστάθμιση.

Λειτουργία

- Μην λειτουργήσετε τον κινητήρα σε ένα περιορισμένο χώρο όπου μπορούν να συγκεντρωθούν οι επικίνδυνα ατμοί του μονοξειδίου του άνθρακα.
- Να κόβετε το γρασίδι μόνο κατά τη διάρκεια της ημέρας ή όταν υπάρχει επαρκής τεχνιτός φωτισμός.
- Όπου είναι εφικτό, αποφεύγετε να χρησιμοποιείτε την συσκευή σε υγρό γρασίδι.
- Πάντοτε να κρατάτε καλό βηματισμό στις πλαγιές.
- Περπατάτε, ποτέ να μην τρέχετε.
- Με τα τροχοφόρα περιστροφικά μηχανήματα, κόβετε το γρασίδι κατά πλάτος των επικλινών εδαφών, ποτέ πάνω και κάτω.
- Να δίνετε μεγάλη προσοχή κατά την αλλαγή διεύθυνσης σε επικλινή εδάφη.
- Μην κόβετε γρασίδι σε εδάφη με υπερβολικά μεγάλη κλίση.
- Δώστε μεγάλη προσοχή όταν κάνετε αναστροφή ή όταν τραβείτε το χλοοκοπτικό προς το μέρος σας.
- Σταματήστε τη λάμα(ες) εάν στο χλοοκοπτικό πρόκειται να δοθεί κλίση για να μεταφερθεί πάνω από επιφάνειες στις οποίες δεν υπάρχει γρασίδι, καθώς επίσης και κατά την μετακίνηση του χλοοκοπτικού από και προς την περιοχή στην οποία θα κοπεί το γρασίδι.
- Ποτέ να μην λειτουργείτε το χλοοκοπτικό με ελαττωματικούς προφυλακτήρες ή χωρίς να είναι τοποθετημένες οι συσκευές ασφαλείας, για παράδειγμα οι εκτροπείς και/ή οι συλλέκτες γρασιδιού.
- Μην αλλάξετε τις ρυθμίσεις του ρυθμιστή του κινητήρα ή μην αυξήσετε υπερβολικά την ταχύτητα του κινητήρα.
- Απεμπλέξτε όλες τις λάμες και τους συμπλέκτες μετάδοσης κίνησης πριν ξεκινήσετε τον κινητήρα.

- Ξεκινήστε τον κινητήρα προσεκτικά σύμφωνα με τις οδηγίες και με τα πόδια σας μακριά από τη λάμα(ες).
- Μην δώσετε κλίση στο χλοοκοπτικό κατά την εκκίνηση του κινητήρα.
- Μην ξεκινάτε τον κινητήρα όταν στέκεστε μπροστά από το στόμιο εκφόρτισης.
- Μην βάλτε τα χέρια σας ή τα πόδια σας κοντά ή κάτω από τα περιστρεφόμενα μέρη. Κρατηθείτε πάντοτε μακριά από τα στόμια εκφόρτισης.
- Ποτέ να μην σηκώσετε ή μεταφέρετε το χλοοκοπτικό όταν λειτουργεί ο κινητήρας.
- Σταματήστε τον κινητήρα και αποσυνδέστε το καλώδιο του μπουζί, βεβαιωθείτε ότι όλα τα κινούμενα μέρη έχουν σταματήσει εντελώς, καθώς επίσης όπου υπάρχει τοποθετημένο κλειδί αφαιρέστε το:
 - Πριν από τα ξεμπλοκαρίσματα ή από τον καθαρισμό του στομιού.
 - Πριν από τον έλεγχο, τον καθαρισμό ή την εκτέλεση εργασίας πάνω στο χλοοκοπτικό.
 - Μετά από το κύπημα ενός ξένου αντικειμένου. Επιθεωρήστε το χλοοκοπτικό για την ύπαρξη ζημιών και πραγματοποιήστε τις επιδιορθώσεις πριν την επανεκκίνηση και τη χρήση του.
 - Εάν το χλοοκοπτικό ξεκινήσει να δονείται με μη φυσιολογικό τρόπο (επιθεωρήστε αμέσως).
- Σταματήστε τον κινητήρα και αποσυνδέστε το καλώδιο του μπουζί, βεβαιωθείτε ότι όλα τα κινούμενα μέρη έχουν σταματήσει εντελώς, καθώς επίσης όπου υπάρχει τοποθετημένο κλειδί αφαιρέστε το:
 - Όποτε αφήνετε μόνο του το χλοοκοπτικό.
 - Πριν από τον ανεφοδιασμό με καύσιμο.
- Ελαττώστε τη ρύθμιση του γκαζιού κατά το σβήσιμο του κινητήρα, καθώς επίσης όταν υπάρχει στον κινητήρα μια βαλβίδα διακοπής, διακόψτε την παροχή καυσίμου με την ολοκλήρωση της εργασίας κοπής του γρασιδιού.

Συντήρηση και αποθήκευση

- Διατηρήστε όλα τα παξιμάδια, τα μπουλόνια και τις βίδες σφικτά για να εξασφαλίσετε ότι η συσκευή βρίσκεται σε ασφαλή κατάσταση λειτουργίας.
- Ποτέ μην αποθηκεύσετε τη συσκευή σε ένα κτήριο με τη βενζίνη μέσα στο ρεζερβουάρ, όπου οι αναθυμιάσεις μπορεί να φτάσουν σε μια γυμνή φλόγα ή σε σπινθήρα.
- Αφήστε τον κινητήρα να κρυώσει πριν την αποθήκευση στον οποιοδήποτε κλειστό χώρο.
- Για να ελαττώσετε τον κίνδυνο πρόκλησης πυρκαγιάς, διατηρήστε τον κινητήρα, τον σιγαστήρα, το διαμέρισμα της μπαταρίας και την περιοχή φύλαξης της βενζίνης καθαρά από γρασίδι, φύλλα ή υπερβολικό γράσο.
- Ελέγχετε τακτικά το συλλογέ γρασιδιού για την ύπαρξη φθοράς ή επιδείνωσης της λειτουργίας.
- Για ασφαλεία αντικαθιστάτε τα φθαρμένα ή κατεστραμμένα εξαρτήματα.
- Αν πρέπει να αποστραγγιστεί το ρεζερβουάρ καυσίμου, η ενέργεια αυτή πρέπει να γίνει σε εξωτερικό χώρο.



ΠΡΟΕΙΔΟΠΟΙΗΣΗ: Μην αγγίζετε την περιεστρεφόμενη λάμα.



ΠΡΟΕΙΔΟΠΟΙΗΣΗ: Ανεφοδιάστε σε μια καλά αεριζόμενη περιοχή με τον κινητήρα σταματημένο.

3. ΠΕΡΙΓΡΑΦΗ ΜΕΡΩΝ (Εικ. 1A και 1B)

Συμπεριλαμβανόνται

A: Κλειδί για το μπουζί

B: Κανάλι εκκένωσης

4. ΤΕΧΝΙΚΑ ΔΕΔΟΜΕΝΑ

Μοντέλο	PLM5121	PLM5120
Τύπος κινητήρα	Σειρά B&S675EX, ReadyStart, 126T	Σειρά B&S625E, 122T
Αυτοκινούμενο	Ναι	Όχι
Εκτόπισμα κινητήρα	190 cm ³	190 cm ³
Πλάτος λάμας	510 mm	510 mm
Ονομαστική ταχύτητα	2.800/min	2.800/min
Χωρητικότητα ρεζερβουάρ καυσίμου	1,0 L	1,0 L
Καθαρό βάρος	31,7 kg	28 kg
Ρύθμιση ύψους:	25-70 mm, 5 ρυθμίσεις	
L _{PA} (SPL) στη πλευρά του χρήστη (k = 3 dB (A))	79,2 dB (A)	78,9 dB (A)
Εγγυημένο επίπεδο ηχητικής ισχύος L _{WA}	98 dB (A)	98 dB (A)
Δόνηση (k = 1,5 m/s ²)	2,305 m/s ²	2,056 m/s ²

5. ΣΥΝΑΡΜΟΛΟΓΗΣΗ

5-1 ΣΥΝΑΡΜΟΛΟΓΗΣΗ ΤΟΥ ΑΝΑΔΙΠΛΟΥΜΕΝΗΣ ΧΕΡΟΥΛΙΟΥ

1. Στερεώστε τις κάτω ράβδους οδήγησης πάνω στο κορμό της μονάδας με τα ασφαλιστικά κουμπιά όπως παρουσιάζεται. **(Εικ. 2A, Εικ. 2B, Εικ. 2C, Εικ. 2D)**
2. Συνδέστε το πάνω χερούλι και το κάτω χερούλι με το ασφαλιστικό κουμπί. **(Εικ. 2E, Εικ. 2F, Εικ. 2G)**
3. Τοποθετήστε τον σφιγκτήρα καλωδίου στη θέση που δείχνεται και στη συνέχεια τοποθετήστε το καλώδιο. **(Εικ. 2H)**

6. ΡΥΘΜΙΣΗ ΤΟΥ ΥΨΟΥΣ ΚΟΠΗΣ

Ασκήστε μια πίεση προς τα έξω για να αποσυνδέσετε τον μοχλό από την οδοντωτή βάση στήριξης. Μετακινήστε τον μοχλό προς τα εμπρός ή πίσω για να ρυθμίσετε το ύψος. Το ύψος (η λεπίδα στο έδαφος) μπορεί να ρυθμιστεί από τα 25 mm (θέση 1: η χαμηλότερη θέση) στα 70 mm (θέση 5: η υψηλότερη θέση), 5 θέσεις ύψους. **(Εικ. 3A, Εικ. 3B)**.

Πριν αλλάξετε το ύψος της κοπής του χλοοκοπτικού, σταματήστε το και αποσυνδέσετε το καλώδιο του μπουζί.



ΠΡΟΕΙΔΟΠΟΙΗΣΗ: Η ρύθμιση αυτή πρέπει να γίνεται μόνο όταν η λάμα είναι σταματημένη.

7. ΡΥΘΜΙΣΗ ΓΙΑ ΕΝΑ ΚΑΤΑΛΛΗΛΟ ΥΨΟΣ (Εικ. 4A, Εικ. 4B)

1. Ξεσφίξτε τα ασφαλιστικά κουμπιά που στερεώνουν το κάτω χερούλι, ανατρέξτε στην **Εικ. 4A**.
2. Ανατρέξτε στην **Εικ. 4B**, μετακινήστε το κάτω χερούλι προς τα πάνω και προς τα κάτω, ρυθμίστε το στο κατάλληλο ύψος.
Σε αυτό το είδος του χλοοκοπτικού μπορεί να γίνει επιλογή μεταξύ 3 υψών ρύθμισης. Στη θέση 1 το ύψος είναι το υψηλότερο, στη θέση 3 το ύψος είναι το χαμηλότερο.
3. Μετά την ρύθμιση του κατάλληλου ύψους, στερεώστε το κάτω χερούλι με τα ασφαλιστικά κουμπιά.



ΠΡΟΕΙΔΟΠΟΙΗΣΗ: Η αριστερή και η δεξιά πλευρά του κάτω χερούλιού πρέπει να είναι ρυθμισμένες στο ίδιο ύψος.

8. ΧΕΡΟΥΛΙ ΕΚΚΙΝΗΤΗΡΑ (Εικ. 5)

Μετακινήστε το χερούλι εκκινήτηρα από τον κινητήρα προς τον οδηγό του σκοινιού.

9. “2 ΣΕ 1”

9-1 ΕΠΑΝΑΡΥΘΜΙΣΗ ΓΙΑ ΚΟΠΗ ΓΡΑΣΙΔΙΟΥ ΜΕ ΠΛΕΥΡΙΚΗ ΕΚΦΟΡΤΩΣΗ

1. Ανυψώστε το πτερόνιο του πλευρικού θαλάμου για εκφόρτωση από το πλάι. **(Εικ. 6A)**
2. Στερεώστε τον οδηγό εκφόρτωσης για την πλαινή εκφόρτωση στον πείρο στήριξης του πτερονίου του πλευρικού θαλάμου. **(Εικ. 6A, Εικ. 6B)**
3. Χαμηλώστε το πτερόνιο του πλευρικού θαλάμου- το πτερόνιο βρίσκεται στο κανάλι εκφόρτωσης. **(Εικ. 6C)**



Μόνο όταν ο κινητήρας και ο κόφτης είναι σταματημένοι!

9-2 ΧΛΟΟΚΟΠΤΙΚΟ ΔΗΜΙΟΥΡΓΙΑΣ ΥΠΟΛΕΙΜΑΤΩΝ

Τι σημαίνει κάλυψη εδάφους με υπολείμματα γρασιδιού; Κατά την εργασία δημιουργίας υπολειμμάτων γρασιδιού, το γρασιδί κόβεται από το μηχάνημα στο πρώτο βήμα και στη συνέχεια κόβεται ξανά σε μικρά κομμάτια και επιστρέφει πίσω στη λωρίδα του γρασιδιού στο έδαφος ως φυσικό λίπασμα.

Υποδείξεις για την εργασία δημιουργίας υπολειμμάτων γρασιδιού:

- Κανονική κοπή κατά μεγ. 2 cm από το ύψος γρασιδιού των 6 cm στα 4 cm.
- Χρησιμοποιήστε ένα κοφτερό μαχαίρι
- Μην κόβεται υπολείμματα υγρού γρασιδιού
- Ρυθμίστε τη μέγιστη ταχύτητα του κινητήρα
- Μετακινηθείτε μόνο με το ρυθμό εργασίας
- Καθαρίζετε τακτικά την σφήνα δημιουργίας υπολειμμάτων γρασιδιού, την εσωτερική πλευρά του περιβλήματος και τη λάμα δημιουργίας υπολειμμάτων



ΠΡΟΕΙΔΟΠΟΙΗΣΗ: Μόνο με σταματημένο τον κινητήρα και ακίνητο τον κόφτη.

1. Ανυψώστε το πτερόνιο του πλευρικού θαλάμου και αφαιρέστε το κανάλι εκφόρτωσης. **(Εικ. 7A, Εικ. 7B)**
 - Το πτερόνιο του πλευρικού θαλάμου κλείνει αυτόματα το άνοιγμα εκφόρτωσης στη θήκη μέσω της δύναμης του ελατηρίου.
 - Να καθαρίζετε τακτικά το πτερόνιο του πλευρικού θαλάμου και το άνοιγμα εκφόρτωσης από τα υπολείμματα γρασιδιού και την κολλημένη βρωμιά.

10. ΟΔΗΓΙΕΣ ΛΕΙΤΟΥΡΓΙΑΣ

10-1 ΠΡΙΝ ΑΠΟ ΤΗΝ ΕΚΚΙΝΗΣΗ

Προσθέστε στον κινητήρα βενζίνη και λάδι σύμφωνα με τις οδηγίες που βρίσκονται στο ξεχωριστό εγχειρίδιο του κινητήρα που παρέχεται με το χλοοκοπτικό σας. Διαβάστε προσεκτικά τις οδηγίες.



ΠΡΟΕΙΔΟΠΟΙΗΣΗ: Η βενζίνη είναι πάρα πολύ εύφλεκτη.

Αποθηκεύστε το καύσιμο σε δοχεία που είναι ειδικά σχεδιασμένα για αυτό το σκοπό.

Ανεφοδιάστε μόνο σε εξωτερικό χώρο, πριν την εκκίνηση του κινητήρα και μην καπνίζετε κατά τη διάρκεια του ανεφοδιασμού ή του χειρισμού του καυσίμου.

Ποτέ να μην αφαιρέσετε την τάπα του ρεζερβουάρ καυσίμου ή να προσθέσετε βενζίνη όταν ο κινητήρας λειτουργεί ή όταν ο κινητήρας είναι ζεστός.

Εάν η βενζίνη χυθεί κάτω μην προσπαθήσετε να ξεκινήσετε τον κινητήρα αλλά μετακινήστε το μηχάνημα μακριά από την περιοχή αυτή και αποσύρουμε να δημιουργήσετε την οποιαδήποτε πηγή ανάφλεξης έως ότου εξαλειφθούν οι αιτίες της βενζίνης.

Επανατοποθετήστε καλά όλες τις τάπες του ρεζερβουάρ καυσίμου και των δοχείων.

Πριν δώσετε κλίση στο χλοοκοπτικό για την συντήρηση της λάμας ή την αποστράγγιση του λαδιού, αφαιρέστε το καύσιμο από το ρεζερβουάρ.



ΠΡΟΕΙΔΟΠΟΙΗΣΗ: Ποτέ να μην γεμίζετε το ρεζερβουάρ με καύσιμο σε εσωτερικό χώρο, με τον κινητήρα σε λειτουργία ή εάν ο κινητήρας δεν έχει αφαιρεθεί να κρυώσει για τουλάχιστον 15 λεπτά μετά την λειτουργία του.

10-2 ΓΙΑ ΝΑ ΞΕΚΙΝΗΣΕΤΕ ΤΟΝ ΚΙΝΗΤΗΡΑ ΚΑΙ ΝΑ ΛΕΙΤΟΥΡΓΗΣΕΙ Η ΛΑΜΑ

1. Η συσκευή είναι εφοδιασμένη με μια επένδυση από ελαστικό πάνω στο άκρο του μπουζί, βεβαιωθείτε ότι ο μεταλλικός βρόγχος στο άκρο του καλωδίου του μπουζί (μέσα στην ελαστική επένδυση) είναι στερεωμένος σωστά πάνω στο μεταλλικό άκρο του μπουζί.
- 2.1. Για το PLM5121:
Κατά την εκκίνηση ενός ψυχρού ή θερμού κινητήρα, περιστρέψτε το μοχλό της βαλβίδας του τσοκ σε οποιαδήποτε θέση μεταξύ του “☁” έως “☁☁”. Κατά τη λειτουργία, στρέψτε το μοχλό της βαλβίδας του τσοκ στη θέση “☁☁”. **(Εικ. 8B)**
- 2.2. Για το PLM5120:
Κατά την ψυχρή εκκίνηση, πιέστε το βολβό πλήρωσης καυσίμου 3-5 φορές πριν από την εκκίνηση του κινητήρα, στρέψτε το μοχλό της βαλβίδας του τσοκ στη θέση “☁”. Κατά την εκκίνηση ενός ζεστού κινητήρα και τη λειτουργία του, στρέψτε το μοχλό της βαλβίδας του τσοκ στη θέση “☁☁”. **(Εικ. 8A, Εικ. 8B)**
3. Στέκοντας πίσω από τη συσκευή, πιάστε το χερούλι ελέγχου του φρένου και κρατήστε το έναντι του πάνω χερούλιού όπως δείχνεται στην **Εικ. 8C**.
4. Πιάστε το χερούλι του εκκινητήρα όπως δείχνεται στην **Εικ. 8C** και τραβήξτε γρήγορα προς τα πάνω. Επιστρέψτε το αργά στο μπουλόνι του οδηγού του σχοινιού αφότου ξεκινήσει ο κινητήρας. Αφήστε το χερούλι ελέγχου του φρένου για να σταματήσετε τον κινητήρα και τη λάμα. **(Εικ. 8D)**



Ξεκινήστε τον κινητήρα προσεκτικά σύμφωνα με τις οδηγίες και με τα πόδια σας μακριά από τη λάμα.



Μην δώσετε κλίση στο χλοοκοπτικό κατά την εκκίνηση του κινητήρα. Ξεκινήστε το χλοοκοπτικό σε μια επίπεδη επιφάνεια, εκεί όπου δεν υπάρχει γρασιδί ή άλλα εμπόδια.



Μην πλησιάζετε τα χέρια και τα πόδια σας στα περιστρεφόμενα μέρη. Μην ξεκινάτε τον κινητήρα όταν στέκεστε μπροστά από το στόμιο εκφόρτισης.

10-3 ΔΙΑΔΙΚΑΣΙΕΣ ΛΕΙΤΟΥΡΓΙΑΣ

Κατά τη λειτουργία, κρατήστε το χερούλι ελέγχου του φρένου γερά με τα δυο σας χέρια.



ΣΗΜΕΙΩΣΗ: Κατά τη λειτουργία, όταν ελευθερώσετε το χερούλι ελέγχου του φρένου, θα σταματήσει ο κινητήρας και κατά συνέπεια θα σταματήσει να λειτουργεί το χλοοκοπτικό.

10-4 ΓΙΑ ΝΑ ΣΤΑΜΑΤΗΣΕΤΕ ΤΟΝ ΚΙΝΗΤΗΡΑ



ΠΡΟΣΟΧΗ: Η λάμα συνεχίζει να περιστρέφεται για μερικά δευτερόλεπτα μετά την απενεργοποίηση του κινητήρα.

1. Αφήστε το χερούλι ελέγχου του φρένου για να σταματήσετε τον κινητήρα και τη λάμα.
2. Αποσυνδέστε και γειώστε το καλώδιο του μπουζί σύμφωνα με τις οδηγίες στο ξεχωριστό εγχειρίδιο οδηγιών του κινητήρα για να αποτρέψετε την εκκίνηση της συσκευής όταν την αφήνετε χωρίς επίβλεψη.

10-5 ΣΥΝΔΕΣΗ ΓΙΑ ΤΗΝ ΑΥΤΟΜΑΤΗ ΚΙΝΗΣΗ

Για το PLM5121:

Πιάστε το χερούλι χειρισμού αυτόματης κίνησης, το χλοοκοπτικό θα μετακινήσει αυτόματα προς τα εμπρός με ταχύτητα περίπου 3,6 km/h (Εικ. 9), αφήστε το χερούλι αυτόματης κίνησης, το χλοοκοπτικό θα σταματήσει να κινείται.



ΠΡΟΣΟΧΗ: Το χλοοκοπτικό σας είναι σχεδιασμένο για την κοπή οικιακού γρασιδιού με ύψος όχι μεγαλύτερο από τα 250 mm. Μην προσπαθήσετε τα κόψετε το γρασιδί που έχει μεγάλο ύψος είτε είναι ξηρό ή υγρό (π.χ. σε βοσκότοπο) ή σωρούς από ξερά φύλλα. Υπάρχει κίνδυνος πυρκαγιάς εάν συσσωρευτούν τα αποκόμματα στην πλατφόρμα του χλοοκοπτικού ή έρθουν σε επαφή με την εξάτμιση του κινητήρα.

10-6 ΓΙΑ ΒΕΛΤΙΣΤΑ ΑΠΟΤΕΛΕΣΜΑΤΑ ΚΑΤΑ ΤΗΝ ΚΟΠΗ ΓΡΑΣΙΔΙΟΥ

Καθαρίστε την πρασιά από τα σκουπίδια. Βεβαιωθείτε ότι στην πρασιά δεν υπάρχουν πέτρες, ξύλα, καλώδια ή άλλα ξένα αντικείμενα τα οποία μπορούν να εκτοξευτούν προς τα έξω από το χλοοκοπτικό προς οποιαδήποτε κατεύθυνση και να προκαλέσουν σοβαρό προσωπικό

τραυματισμό στο χειριστή και στα άλλα άτομα καθώς επίσης και την πρόκληση φθοράς στην περιοχή γρασιδιού. Για την αποτελεσματική κοπή γρασιδιού μην κόβετε το γρασιδί όταν είναι υγρό επειδή έχει την τάση να κολλάει στο κάτω μέρος της πλατφόρμας του μηχανήματος και με τον τρόπο αυτό αποτρέπεται η κατάλληλη κοπή των κομματιών του γρασιδιού. Να κόβετε όχι περισσότερο από το 1/3 του ύψους του γρασιδιού. Το συστάσιμο ύψος κοπής γρασιδιού είναι το 1/3 του ύψους του γρασιδιού. Η ταχύτητα του εδάφους πρέπει να προσαρμόζεται ώστε τα κομμάτια να διασπείρονται ομοιόμορφα στην πρασιά. Για μια κοπή με ιδιαίτερο βαρύ φορτίο που απαιτάνται στο πυκνό γρασιδί, μπορεί να είναι απαραίτητη η χρήση μιας πιο αργής ταχύτητας έτσι ώστε να έχετε μια αποτελεσματική κοπή του γρασιδιού. Όταν πρόκειται για γρασιδί που έχει μεγάλο ύψος ενδοχόμενως να απαιτείται η κοπή της πρασιιάς σε δυο φάσεις, χαμηλώνοντας τη λάμα για άλλο 1/3 του μήκους για την δεύτερη κοπή και ίσως με διαφορετικό τρόπο από αυτόν που χρησιμοποιήθηκε στην πρώτη φορά. Η μικρή επικάλυψη της κοπής με το κάθε πέρασμα θα βοηθήσει επίσης στην αφαίρεση των οποιονδήποτε ξεχασμένων κομματιών που έμειναν στην πρασιά. Το χλοοκοπτικό θα πρέπει πάντοτε να λειτουργεί στην πλήρη ταχύτητά του για να επιτευχθεί το βέλτιστο αποτέλεσμα και για να μπορέσει να εκτελέσει την πιο αποτελεσματική κοπή γρασιδιού. Καθαρίστε το κάτω μέρος της πλατφόρμας κοπής του μηχανήματος μετά από κάθε χρήση για να αποφευχθεί η συσσώρευση γρασιδιού, η οποία μπορεί να αποτρέψει την κατάλληλη κοπή υπολειμμάτων. Κοπή φύλλων. Η κοπή των φύλλων μπορεί επίσης να είναι ευεργετική για την πρασιά σας. Κατά την κοπή των φύλλων, φροντίστε ώστε να είναι ξηρά και να μην είναι πολύ πυκνά πάνω στην πρασιά. Μην περιμένετε να πέσουν όλα τα φύλλα από τα δέντρα για να αρχίσετε την κοπή τους.



ΠΡΟΕΙΔΟΠΟΙΗΣΗ: Αν χτυπήσετε κάποιο ξένο αντικείμενο, σταματήστε τον κινητήρα. Αφαιρέστε το καλώδιο από το μπουζί, ελέγξτε καλά το χλοοκοπτικό για την ύπαρξη ζημιών και επισκευάστε την πριν ξεκινήσετε ξανά την λειτουργία του χλοοκοπτικού. Η υπερβολική δόνηση του χλοοκοπτικού κατά τη λειτουργία αποτελεί ένδειξη ζημιάς. Η συσκευή θα πρέπει να επιθεωρηθεί άμεσα και να επισκευαστεί.

10-7 ΠΛΑΤΦΟΡΜΑ

Το κάτω μέρος της πλατφόρμας του χλοοκοπτικού πρέπει να είναι καθαρό μετά από την κάθε χρήση για την αποτροπή συσσώρευσης κομματιών γρασιδιού, φύλλων, βρωμιάς ή άλλου υλικού. Η συσσώρευση αυτών των σκουπιδιών, θα προκαλέσει σκουριά και διάβρωση καθώς επίσης και πιθανώς να αποτρέψει την κατάλληλη δημιουργία των υπολειμμάτων γρασιδιού. Ο καθαρισμός του δαπέδου μπορεί να γίνει δίνοντας μια κλίση στο χλοοκοπτικό και ξύνοντάς το με ένα κατάλληλο εργαλείο (φροντίστε ώστε να είναι αποσυνδεδεμένο το καλώδιο του μπουζί).

11. ΟΔΗΓΙΕΣ ΣΥΝΤΗΡΗΣΗΣ

ΜΠΟΥΖΙ

Χρησιμοποιήστε μόνο αυθεντικό ανταλλακτικό μπουζί. Για βέλτιστα αποτελέσματα, αντικαταστήστε το μπουζί κάθε 100 ώρες λειτουργίας.

12. ΟΔΗΓΙΕΣ ΛΙΠΑΝΣΗΣ



ΠΡΟΣΟΧΗ: ΑΠΟΣΥΝΔΕΣΤΕ ΤΟ ΜΠΟΥΖΙ ΠΡΙΝ ΤΗΝ ΕΝΑΡΞΗ ΤΗΣ ΕΡΓΑΣΙΑΣ ΣΥΝΤΗΡΗΣΗΣ.

1. ΤΡΟΧΟΙ-Λιπάνετε τα ρουλεμάν σε κάθε τροχό τουλάχιστον μια φορά ανά εποχή με λεπτόρρευστο λάδι.
2. ΚΙΝΗΤΗΡΑΣ-Ακολουθήστε τις οδηγίες λίπανσης του εγχειριδίου του κινητήρα.
3. ΧΕΙΡΙΣΤΗΡΙΟ ΛΑΜΑΣ-Λιπάνετε τα σημεία περιστεφής πάνω στο χερούλι χειρισμού της λάμας και στο καλώδιο του φρένου τουλάχιστον μια φορά ανά εποχή με λεπτόρρευστο λάδι. Το χειριστήριο της λάμας πρέπει να λειτουργεί ελεύθερα προς όλες τις διευθύνσεις.

13. ΚΑΘΑΡΙΣΜΟΣ



ΠΡΟΣΟΧΗ: Μην καταβρέχετε τον κινητήρα με λάστιχο. Το νερό μπορεί να προκαλέσει ζημιά στον κινητήρα ή να ρυπάνει το σύστημα του καυσίμου.

1. Σκουπίστε τη πλατφόρμα με ένα στεγνό ύφασμα.
2. Βρέξτε κάτω από τη πλατφόρμα γέρνοντας το χλοοκοπτικό έτσι ώστε το μπουζί να είναι προς τα πάνω.

13-1 ΦΙΛΤΡΟ ΑΕΡΑ ΚΙΝΗΤΗΡΑ



ΠΡΟΣΟΧΗ: Μην αφήσετε τη βρωμιά ή τη σκόνη να βουλώσει τον αφρό του φίλτρου αέρα. Το φίλτρο αέρα του κινητήρα πρέπει να συντηρείται (καθαρίζεται) μετά από 25 ώρες φυσιολογικής κοπής γρασιδιού. Το στοιχείο του φίλτρου πρέπει να συντηρείται κανονικά εάν το χορτοκοπτικό πρόκειται να χρησιμοποιηθεί υπό συνθήκες σκόνης. (Ανατρέξτε στο ΕΓΧΕΙΡΙΔΙΟ ΙΔΙΟΚΤΗΤΗ ΤΟΥ ΚΙΝΗΤΗΡΑ)

Για τον ΚΑΘΑΡΙΣΜΟ ΤΟΥ ΦΙΛΤΡΟΥ ΑΕΡΑ

1. Αφαιρέστε τη βίδα. (Εικ. 10Α, Εικ. 10Β)
2. Αφαιρέστε το κάλυμμα.
3. Πλύνετε το στοιχείο του φίλτρου με σαπουνόνερο.

ΜΗΝ ΧΡΗΣΙΜΟΠΟΙΗΣΤΕ ΒΕΝΖΙΝΗ!

4. Στεγνώστε με αέρα το στοιχείο του φίλτρου.
5. Βάλτε ορισμένες σταγόνες λαδιού SAE30 πάνω στο αφρώδες φίλτρο και πιέστε το ελαφρά για να αφαιρέσετε το τυχόν παραπανίσιο λάδι.
6. Επανατοποθετήστε το φίλτρο.



ΣΗΜΕΙΩΣΗ: Αντικαταστήστε το φίλτρο στην περίπτωση που ξεφτίσει, σχιστεί, καταστραφεί ή που δεν επιδέχεται καθαρισμό.

13-2 ΛΑΜΑ ΚΟΠΗΣ



ΠΡΟΣΟΧΗ: Φροντίστε να αποσυνδέσετε και να γειώσετε το καλώδιο του μπουζί πριν πριν εκτελέσετε κάποια εργασία πάνω στη λάμα κοπής για να αποτρέψετε την τυχαία εκκίνηση του κινητήρα. Προστατεύστε τα χέρια σας χρησιμοποιώντας χοντρά γάντια ή κάποιο πανί για να πιάσετε τις λάμες κοπής. Δώστε κλίση στο χλοοκοπτικό όπως καθορίστηκε στο ξεχωριστό εγχειρίδιο του κινητήρα. Αφαιρέστε το εξάγωνο μπουλόνι και τη φλάντζα που στηρίζουν την λάμα και το προσαρμογέα της λάμας πάνω στον στροφαλοφόρο άξονα του κινητήρα. Αφαιρέστε τη λάμα και το προσαρμογέα από το στροφαλοφόρο άξονα.



ΠΡΟΕΙΔΟΠΟΙΗΣΗ: Περιοδικά να ελέγχετε τον προσαρμογέα της λάμας για ρωγμές, ειδικά εάν χτυπήσετε κάποιο ξένο αντικείμενο. Αντικαταστήστε όταν είναι απαραίτητο.

Για καλύτερα αποτελέσματα, η λάμα σας πρέπει να είναι κοφτερή. Η λάμα μπορεί να επανακεντραριστεί ξανά αφαιρώντας την και τροχίζοντας ή λιμάροντας την άκρη κοπής, διατηρώντας όμως όσο το δυνατόν πλησιέστερα την αρχική της κλίση. Είναι εξαιρετικά σημαντικό η κάθε αιχμή κοπής να λαμβάνει ίσο ποσό τροχίσματος για να αποφευχθεί ο σχηματισμός μιας αζυγοστάθμητης λάμας. Η αζυγοστάθμητη λάμα θα προκαλέσει υπερβολικές δονήσεις που τελικά οδηγούν στη βλάβη του κινητήρα και του χλοοκοπτικού. Φροντίστε να ζυγοσταθμίσετε την λάμα προσεκτικά μετά το ακόνισμα. Η λάμα μπορεί να ελεγχθεί για την ζυγοστάθμισή της κοιτάζοντας την ισοροπία της πάνω σε ένα κατασβίδι με στρογγυλό άξονα. Αφαιρέστε μέταλλο από τη βεριαία πλευρά μέχρι να ισοροπήσει ομοιόμορφα.

Πριν την επανασυναρμολόγηση της λάμας και του προσαρμογέα της λάμας στη συσκευή, λιπαίνετε τον στροφαλοφόρο άξονα του κινητήρα και την εσωτερική επιφάνεια που προσαρμόγεται της λάμας με λεπτόρρευστο λάδι. Εγκαταστήστε τον προσαρμογέα της λάμας στο στροφαλοφόρο άξονα του κινητήρα. Ανατρέξτε στην **Εικ. 11**. Τοποθετήστε τη λάμα με τον αριθμό εξαρτήματος να βλέπει μακριά από τον προσαρμογέα. Ευθυγραμμίστε τη φλάντζα πάνω στη λάμα και εισάγετε το εξάγωνο μπουλόνι. Σφίξτε το εξάγωνο μπουλόνι με ροπή που αναφέρεται παρακάτω.

13-3 ΡΟΠΗ ΣΤΕΡΕΩΣΗΣ ΛΑΜΑΣ

Κεντρικό μπουλόνι 40Nm-50Nm, για τη διασφάλιση της ασφαλούς λειτουργίας της συσκευής σας. ΟΛΑ τα παξιμάδια και τα μπουλόνια πρέπει να ελέγχονται περιοδικά για το σωστό σφίξιμο.

Μετά από παρατεταμένη χρήση, ιδιαίτερα σε αμμώδεις συνθήκες του εδάφους, η λάμα θα φθαρεί και θα χάσει κάποιο από το αρχικό της σχήμα. Η αποτελεσματική κοπή θα μειωθεί και η λάμα πρέπει να αντικατασταθεί.

Αντικαταστήστε μόνο με μια συγκεκριμένη εργοστασιακή ανταλλακτική λάμα. Δεν ευθύνεται ο κατασκευαστής για πιθανές ζημιές που προκύπτουν από μια αζυγοστάθμητη λάμα.

Όταν αλλάζετε τη λάμα, πρέπει να χρησιμοποιήσετε τον αρχικό τύπο που σημειώνεται πάνω στη λάμα (ΜΑΚΙΤΑ 263001826) (για παραγγελία της λάμας, παρακαλούμε

επιπικνωμένες με τον τοπικό οπτιορόσωπο της περιοχής σας ή καλέστε την εταιρεία μας).



ΠΡΟΕΙΔΟΠΟΙΗΣΗ: Μην αγγίζετε την περιστρεφόμενη λάμα.

13-4 ΚΙΝΗΤΗΡΑΣ

Ανατρέξτε στο χωριστό εγχειρίδιο του κινητήρα για οδηγίες συντήρησης του κινητήρα. Διατηρήστε το λάδι του κινητήρα σύμφωνα με τις οδηγίες στο χωριστό εγχειρίδιο του κινητήρα που παρέχεται με τη συσκευή σας. Διαβάστε και ακολουθήστε τις οδηγίες προσεκτικά.

Υπό κανονικές συνθήκες συντηρήστε το φίλτρο αέρα σύμφωνα με το ξεχωριστό εγχειρίδιο του κινητήρα. Καθαρίστε κάθε λίγες ώρες υπό συνθήκες υψηλής σκόνης. Η κακή απόδοση του κινητήρα και το μπουκκωμα του κινητήρα συνήθως υποδηλώνει ότι το φίλτρο αέρα πρέπει να καθαριστεί.

Για το καθάρισμα του φίλτρου αέρα, ανατρέξτε στο ξεχωριστό εγχειρίδιο του κινητήρα που παρέχεται με την συσκευή σας.

Το μπουζί πρέπει να καθαρίζεται και να επαναφέρεται το κενό μία φορά την εποχή. Συστήνεται η αντικατάσταση του μπουζί κατά την έναρξη της κάθε περιόδου κοπής γρασιδιού, ελέγξτε το εγχειρίδιο του κινητήρα για το σωστό τύπο μπουζί και τις προδιαγραφές του κενού. Καθαρίστε τον κινητήρα τακτικά με ένα πανί ή βούρτσα. Κρατήστε το σύστημα ψύξης (χώρος στέγασης ανεμιστήρα) καθαρό για να επιτρέπεται η σωστή κυκλοφορία του αέρα που είναι απαραίτητη για την καλή απόδοση του κινητήρα και τη μεγάλη διάρκεια ζωής του. Φροντίστε να αφαιρέσετε όλο το γρασιδί, τη βρωμιά και τα καιόμενα σκουπίδια από την περιοχή του σιγαστήρα.

14. ΟΔΗΓΙΕΣ ΑΠΟΘΗΚΕΥΣΗΣ (ΕΚΤΟΣ ΕΠΟΧΗΣ)

Τα παρακάτω βήματα θα πρέπει να ληφθούν για την προετοιμασία του χορτοκοπτικού για την αποθήκευσή του.

1. Αδειάστε την δεξαμενή μετά την τελευταία κοπή του γρασιδιού για την εποχή.
 - a) Αδειάστε την δεξαμενή βενζίνης με μια αναρροφητική αντλία.



ΠΡΟΣΟΧΗ: Μην αποστραγγίσετε τη βενζίνη σε κλειστά δωμάτια, κοντά σε γυμνές φλόγες κτλ. Μην καπνίζετα! Οι αναθυμιάσεις της βενζίνης μπορεί να προκαλέσουν έκρηξη ή φωτιά.

- b) Ξεκινήστε τον κινητήρα και αφήστε τον να λειτουργήσει μέχρι να χρησιμοποιήσει όλη την βενζίνη και να σταματήσει.
 - c) Αφαιρέστε το μπουζί. Χρησιμοποιήστε ένα λαδωτήρι για να γεμίσετε με περίπου 20 ml λαδιού τον θάλαμο καύσης. Λειτουργήστε τον κινητήρα για να διανεμηθεί ομοιόμορφα το λάδι μέσα στον θάλαμο καύσης. Επανατοποθετήστε το μπουζί.
2. Καθαρίστε και λιπάνετε προσεκτικά το χλοοκοπτικό όπως περιγράφεται στην ενότητα "Λίπανση".
 3. Γρασάρετε ελαφρώς τον κόπτη για να αποτρέψετε την διάβρωση.

4. Να φυλάσσεται το χλοοκοπτικό σε ένα στεγνό, καθαρό και προστατευμένο από τον παγετό χώρο, μακριά από την πρόσβαση των παιδιών και των μη εξουσιοδοτημένων προσώπων.



ΠΡΟΣΟΧΗ: Ο κινητήρας θα πρέπει να αφαιρεθεί να κρυώσει πριν την αποθήκευση του χλοοκοπτικού.



ΣΗΜΕΙΩΣΗ:

- Κατά την αποθήκευση κάθε είδους μηχανοκίνητης συσκευής σε ένα μη αεριζόμενο χώρο ή σε ένα υπόστεγο αποθήκευσης υλικών, πρέπει να ληφθεί μέριμνα για την προστασία της συσκευής από τη σκουριά. Χρησιμοποιώντας ένα λεπτόρρευστο λάδι ή σιλικόνη, επικαλύψτε τη συσκευή, ιδιαίτερα τα καλώδια και όλα τα κινούμενα μέρη.
- Προσέξτε να μην κάμψετε ή τσακίσετε τα καλώδια.
- Αν αποσυνδεθεί το σχοινί της μίζας από το οδηγό σχοινί στο χερούλι, αποσυνδέστε και γειώστε το καλώδιο του μπουζί, πιέστε το χερούλι ελέγχου της λάμας και τραβήξτε το σχοινί εκκίνησης αργά έξω από τον κινητήρα. Βάλτε το σχοινί του εκκινήτηρα μέσα στο μπουλόνι του σχοινού οδηγού στο χερούλι.

Μεταφορά

Απενεργοποιήστε τον κινητήρα. Φροντίστε ώστε να μην κάμψετε ή προκαλέσετε βλάβη στον κόπτη κατά το στρώξιμο του χλοοκοπτικού πάνω από εμπόδια.

15. ΕΠΙΛΥΣΗ ΠΡΟΒΛΗΜΑΤΩΝ

ΠΡΟΒΛΗΜΑ	ΠΙΘΑΝΗ ΑΙΤΙΑ	ΔΙΟΡΘΩΤΙΚΗ ΚΙΝΗΣΗ
Ο κινητήρας δεν ξεκινά.	Η βαλβίδα του τσοκ δεν βρίσκεται στην σωστή θέση για τις υπάρχουσες συνθήκες.	Μετακινήστε τη βαλβίδα του τσοκ στη σωστή θέση.
	Το ρεζερβουάρ καυσίμου είναι άδειο.	Γεμίστε το ρεζερβουάρ με καύσιμο: ανατρέξτε στο ΕΓΧΕΙΡΙΔΙΟ ΙΔΙΟΚΤΗΤΗ.
	Το φίλτρο αέρα είναι βρώμικο.	Καθαρίστε το φίλτρο αέρα: ανατρέξτε στο ΕΓΧΕΙΡΙΔΙΟ ΙΔΙΟΚΤΗΤΗ.
	Ξεσφιγμένο μπουζί.	Σφίξτε το μπουζί στα 25-30 Nm.
	Χαλαρό καλώδιο μπουζί ή αποσυνδεδεμένο από το μπουζί.	Τοποθετήστε το καλώδιο του μπουζί πάνω στο μπουζί.
	Εσφαλμένο διάκενο στο μπουζί.	Ρυθμίστε το διάκενο ανάμεσα στα ηλεκτρόδια μεταξύ 0,7 και 0,8 mm.
	Ελαττωματικό μπουζί.	Τοποθετήστε ένα καινούργιο με το σωστό διάκενο: ανατρέξτε στο ΕΓΧΕΙΡΙΔΙΟ ΙΔΙΟΚΤΗΤΗ.
	Το καρμπυρατέρ έχει μπουκώσει με καύσιμο.	Αφαιρέστε το φίλτρο αέρα και τραβήξτε το σχοινί της μίζας συνεχώς έως ότου καθαρίσει το καρμπυρατέρ μόνο του και τοποθετήστε ξανά το φίλτρο αέρα.
	Εσφαλμένο στοιχείο ανάφλεξης.	Επικοινωνήστε με τον αντιπρόσωπο του σέρβις.
Δυσκολία στην εκκίνηση του κινητήρα και απώλεια ισχύος.	Βρωμιά, νερό ή παλιό καύσιμο στο ρεζερβουάρ.	Αποστραγγίστε το καύσιμο και καθαρίστε το ρεζερβουάρ. Γεμίστε το ρεζερβουάρ με καθαρό και καινούργιο καύσιμο.
	Έχει βουλώσει η τρύπα εξερισμού στην τάπα του ρεζερβουάρ καυσίμου.	Καθαρίστε ή αντικαταστήστε την τάπα του ρεζερβουάρ καυσίμου.
	Το φίλτρο αέρα είναι βρώμικο.	Καθαρίστε το φίλτρο αέρα.
Ο κινητήρας λειτουργεί ακανόνιστα.	Ελαττωματικό μπουζί.	Τοποθετήστε ένα καινούργιο με το σωστό διάκενο: ανατρέξτε στο ΕΓΧΕΙΡΙΔΙΟ ΙΔΙΟΚΤΗΤΗ.
	Εσφαλμένο διάκενο στο μπουζί.	Ρυθμίστε το διάκενο ανάμεσα στα ηλεκτρόδια μεταξύ 0,7 και 0,8 mm.
	Το φίλτρο αέρα είναι βρώμικο.	Καθαρίστε το φίλτρο αέρα: ανατρέξτε στο ΕΓΧΕΙΡΙΔΙΟ ΙΔΙΟΚΤΗΤΗ.
Ανεπαρκές ρελαντί του κινητήρα.	Το φίλτρο αέρα είναι βρώμικο.	Καθαρίστε το φίλτρο αέρα: ανατρέξτε στο ΕΓΧΕΙΡΙΔΙΟ ΙΔΙΟΚΤΗΤΗ.
	Μπλοκαρισμένα ανοίγματα αέρα στο κάλυμμα του κινητήρα.	Αφαιρέστε τα σκουπίδια από τα ανοίγματα.
	Μπλοκαρισμένα τα ψυκτικά πτερύγια και οι αεραγωγοί κάτω από το περίβλημα του φυσητήρα του κινητήρα.	Αφαιρέστε τα σκουπίδια από τα ψυκτικά πτερύγια και από τους αεραγωγούς.
Ο κινητήρας λειτουργεί ελαττωματικά στις υψηλές στροφές.	Το διάκενο μεταξύ των ηλεκτροδίων του μπουζί είναι πολύ μικρό.	Ρυθμίστε το διάκενο ανάμεσα στα ηλεκτρόδια μεταξύ 0,7 και 0,8 mm.
Ο κινητήρας υπερθερμαίνεται.	Εμποδίζεται η ροή του ψυκτικού αέρα.	Αφαιρέστε τα οποιαδήποτε σκουπίδια από τις τρύπες στο κάλυμμα, στο περίβλημα του φυσητήρα και στους αεραγωγούς.
	Λάθος μπουζί.	Τοποθετήστε το μπουζί RJ19LMC και τα ψυκτικά πτερύγια στον κινητήρα.
Το χλοοκοπτικό δονείται αφύσικα.	Ξεσφιγμένο το σύστημα κοπής.	Σφίξτε τη λάμα.
	Το σύστημα κοπής είναι αζυγοστάμητο.	Ζυγοσταθμίστε τη λάμα.

16. ΕΓΓΥΗΣΗ

Αυτό το προϊόν είναι εγγυημένο, σύμφωνα με τους νομικούς κανονισμούς για μια περίοδο 12 μηνών σε ισχύ από την ημερομηνία αγοράς από τον πρώτο χρήστη.

Η παρούσα εγγύηση καλύπτει όλες τις αστοχίες υλικού ή της κατασκευής, δεν περιλαμβάνει ελαττώματα από την φυσιολογική φθορά, όπως έδρανα, βούρτσες, καλώδια, βύσματα ή εξαρτήματα όπως τρυπάνια, μύτες τρυπανιών, οδοντωτές λάμες κλπ, βλάβη ή ελαττώματα που

προέρχονται από κατάχρηση, ατυχήματα ή μετατροπές, ούτε τα έξοδα για τη μεταφορά.

Διατηρούμε το δικαίωμα της απόρριψης οποιασδήποτε απαίτησης, στην περίπτωση που η αγορά δεν μπορεί να επαληθευτεί ή όταν είναι σαφές ότι δεν έγινε η κατάλληλη συντήρηση στο προϊόν. (Καθαρισμός οπών εξαιρισμού, τακτική συντήρηση ψηκτρών καρβουνακίων.)

Η απόδειξη αγοράς θα πρέπει να φυλάσσεται ως τεκμήριο της ημερομηνίας αγοράς.

Το εργαλείο σας χωρίς να έχει αποσυναρμολογηθεί θα πρέπει να επιστραφεί στον προμηθευτή σας σε μια αποδεκτά καθαρή κατάσταση, μέσα στην αρχική θήκη του χλοοκοπτικού εάν παρέχεται με τη συσκευή, συνοδευόμενο με την απόδειξη αγοράς.

Μοντέλο: PLM5121

Μετρημένο Επίπεδο Ηχητικής Ισχύος: 92,4 dB (A)
Εγγυημένο Επίπεδο Ηχητικής Ισχύος: 98 dB (A)

30.11.2011



Tomoyasu Kato
Διευθυντής
Makita Corporation
3-11-8, Sumiyoshi-cho,
Anjo, Aichi, JAPAN

17. ΠΕΡΙΒΑΛΛΟΝ

Σε περίπτωση που υπάρχει ανάγκη αντικατάστασης του χλοοκοπτικού σας μετά από εκτεταμένη χρήση, μην το απορριψίσετε με τα οικιακά απορρίμματα, αλλά απορριψίστε το με τρόπο ασφαλή για το περιβάλλον.

18. ΕΚ – ΔΗΛΩΣΗ ΠΙΣΤΟΤΗΤΑΣ

(Για τις Ευρωπαϊκές χώρες μόνο)

Η Εταιρία Makita ως υπεύθυνος κατασκευαστής, δηλώνει ότι το παρακάτω μηχάνημα ή μηχανήματα της Makita:

Όνομασία μηχανήματος: Βενζινοκίνητο Χλοοκοπτικό

Αρ. Μοντέλου/ Τύπος: PLM5120, PLM5121

Προδιαγραφές: Δείτε "4. ΤΕΧΝΙΚΑ ΔΕΔΟΜΕΝΑ"

αποτελούν παραγωγή σε σειρά και

Συμμορφώνονται με τις ακόλουθες Ευρωπαϊκές Οδηγίες:

2004/108/ΕΚ, 2006/42/ΕΚ, 2000/14/ΕΚ&2005/88/ΕΚ

Και κατασκευάζονται σύμφωνα με τα παρακάτω πρότυπα ή τυποποιημένα έγγραφα:

EN ISO 14982, EN836

Ο εξουσιοδοτημένος μας αντιπρόσωπος στην Ευρώπη διατηρεί τα τεχνικά έγγραφα, ο οποίος είναι:

Makita International Europe Ltd.

Michigan Drive, Tongwell,

Milton Keynes, Bucks MK15 8JD, England

Η διαδικασία εκτίμησης συμμόρφωσης που απαιτείται από την Οδηγία 2000/14/ΕΚ εκτελέστηκε σύμφωνα με το Παράρτημα V.

Κοινοποιημένος Οργανισμός:

TÜV SÜD Industrie Service GmbH

Westendstraße 199, 80686 München, Deutschland

Αριθμός αναγνώρισης: 0036

Μοντέλο: PLM5120

Μετρημένο Επίπεδο Ηχητικής Ισχύος: 92,3 dB (A)

Εγγυημένο Επίπεδο Ηχητικής Ισχύος: 98 dB (A)

Genel görünüm

- | | | |
|------------------------------------|------------------------|----------------------------|
| 1. Fren kontrol kolu | 7. Kablo kelepçesi | 13. Yağ kapağı |
| 2. Üst tutma kolu | 8. Yükseklik ayar kolu | 14. Çalıştırma kolu |
| 3. Kendinden tahrikli kontrol kolu | 9. Gövde | 15. Cıvata |
| 4. Jikle kolu | 10. Yan kapak | 16. Pul |
| 5. İp kılavuzu | 11. Buji | 17. İlk çalıştırma düğmesi |
| 6. Kilitleme mandalı | 12. Yakıt kapağı | 18. Vida |



UYARI:

Kendi güvenliğiniz için lütfen bu yeni makineyi çalıştırmaya başlamadan önce bu kılavuzu okuyun. Verilen talimatların takip edilmemesi ciddi yaralanmalara neden olabilir. Her kullanımdan önce çim biçme makinenizi tanımak için birkaç dakikanızı ayırın.

1. ÜRÜN ÜZERİNDEKİ SİMGELER



Kullanım kılavuzunu okuyun.



İnsanların yaklaşmasına izin vermeyin.



Yaralanmamak için ellerinize ve ayaklarınıza dikkat edin.



Yakıt alev alabilir, bu nedenle ateşten uzak tutun. Makine çalışırken, yakıt doldurmayın.



Dumanı zehirlidir; bu nedenle makineyi bina içerisinde çalıştırmayın.



Çim biçerken, sağlığınızı korumak için koruyucu gözlük ve kulak tıkacı kullanın.



Onarım çalışmaları sırasında, bujiyi çıkartın ve ardından onarımı kullanım kılavuzuna uygun şekilde gerçekleştirin.



Dikkat: Motor sıcaktır.

2. GENEL GÜVENLİK KURALLARI



UYARI: Benzinli makineler kullanılırken ciddi yaralanma ve/veya makine hasarları risklerinin en aza indirilmesi için mutlaka aşağıda sıralanan talimatlar da dahil tüm temel güvenlik talimatları dikkate alınmalıdır. Makineyi kullanmaya başlamadan önce tüm talimatları okuyun ve daha sonra başvurmak üzere saklayın.



UYARI: Bu makine, çalışma sırasında bir elektromanyetik alan meydana getirir. Bu alan da bazı koşullarda aktif veya pasif tıbbi implantlara etki edebilmektedir. Ciddi yaralanma ve ölüm riskini azaltmak için, tıbbi implantları olan kişilerin bu makineyi çalıştırmadan önce doktorlarına ve tıbbi implant üreticilerine danışmalarını öneriyoruz.

Eğitim

- Talimatları dikkatlice okuyun. Kontrolleri ve makinenin güvenli kullanımını hakkında bilgi sahibi olun.
- Çocukların veya bu talimatları bilmeyen kişilerin çim biçme makinesini kullanmasına izin vermeyin. Bazı ülkelerde kullanıcı yaşını sınırlandıran yönetmelikler uygulanıyor olabilir.
- Çim biçme makinesini kesinlikle insanların, özellikle de çocukların veya evcil hayvanların yakınında çalıştırmayın.
- Yaralanmalar veya mal kayıplarıyla sonuçlanan kazalardan veya tehlikelerden tek başına operatörün veya kullancının sorumlu olacağına dikkat edin.

Hazırlık

- Çim biçerken daima sağlam ayakkabılar ve uzun pantolonlar giyin. Makineyi kesinlikle çıplak ayakla veya ayağınızda terlik veya sandalet varken çalıştırmayın.
- Makinenin kullanılacağı alanı dikkatlice kontrol edin ve makine tarafından fırlatılabilecek nesnelere kaldırmayın.
- UYARI- Benzin yüksek derecede tutuşabilir bir sıvıdır.
 - Yakıtı bu amaçla özel olarak tasarlanmış konteynerlerde saklayın.
 - Yalnızca açık havada yakıt doldurun ve yakıt doldururken sigara içmeyin.

- Yakıt motoru çalıştırdıktan önce doldurun. Motor çalışırken veya motor hala sıcakken kesinlikle yakıt deposu kapağını açmayın veya yakıt doldurmayın.
- Etrafa benzin dökülürse, motoru çalıştırmayın, makineyi benzinin döküldüğü alandan uzak bir yere taşıyın ve benzin buharı dağılına kadar tutuşturucu kaynakları ilgili alandan uzak tutun.
- Tüm yakıt deposu ve konteyner kapaklarını sağlam şekilde sıkın.
- Arızalı susturucuları değiştirin.
- Her kullanımdan önce mutlaka bıçakların, bıçak civatalarının ve kesici tertibatının aşınmamış ve hasarsız olduğundan emin olmak için gerekli kontrolleri gerçekleştirin. Dengeyi korumak için, aşınmış veya hasar görmüş bıçakları ve civataları değiştirin.

Çalıştırma

- Tehlikeli şekilde karbon monoksit buharı birikebileceğinden, makineyi kapalı alanlarda çalıştırmayın.
- Çim biçme makinesini yalnızca gün ışığında veya iyi bir aydınlatmayla çalıştırın.
- Mümkünse, makineyi ıslak çimlerde kullanmaktan kaçının.
- Eğimlerde mutlaka yere sağlam ve dengeli basın.
- Makineyi yürüyerek çalıştırın ve kesinlikle koşmayın.
- Tekerlekli makineler ile eğimli arazide çim biçerken, eğime dik şekilde çalışın, kesinlikle aşağı veya yukarı yürüyerek çalışmayın.
- Eğimli arazide çalışma yönünüzü değiştirirken çok dikkatli olun.
- Çim biçme makinesini aşırı derecede dik eğimli arazide kullanmayın.
- Çim biçme makinesinin yönünü değiştirirken veya kendinize doğru çekerken çok dikkatli olun.
- Çim dışındaki alanlardan geçerken çim biçme makinesinin yatırılması gerekiyorsa ve çim biçme makinesinin biçilecek alana veya biçilecek alandan taşınması sırasında bıçağı (bıçakları) durdurun.
- Muhafazaları hasarlı veya emniyet cihazları, örneğin deflektörleri ve/veya çim hazneleri yerinde olmayan çim biçme makinelerini kesinlikle çalıştırmayın.
- Motor kontrol ayarlarını değiştirmeyin ve motoru çok yüksek devirde çalıştırmayın.
- Motoru çalıştırmadan önce tüm bıçakları ve tahrik kavramalarını çıkartın.
- Motoru, ayaklarınızı bıçaktan (bıçaklardan) uygun uzaklıktayken talimatlara uygun ve dikkatli bir şekilde çalıştırın.
- Motoru çalıştırırken çim biçme makinesini yatırmayın.
- Deşarj oluşunun önünde duruyorken, motoru çalıştırmayın.
- Ellerinizi ve ayaklarınızı hareketli parçalardan uzak tutun. Deşarj açıklığını her zaman temiz tutun.
- Motor çalışırken, çim biçme makinesini kesinlikle kaldırmayın veya taşımayın.
- Motoru durdurun, buji telinin bağlantısını kesin ve tüm hareketli parçaların tamamen durduğundan emin olun ve varsa, takılı olan anahtarları çıkartın.
 - Tıkanıklıkları veya oluktaki birikmeyi temizlemeye başlamadan önce.

- Çim biçme makinesini kontrol etmeye, temizlemeye veya üzerinde herhangi bir işlem yapmaya başlamadan önce.
- Yabancı bir nesneye çarpıldığında. Aşağıdaki durumlarda çim biçme makinesinde hasar olup olmadığını kontrol edin ve makineyi yeniden başlatmadan ve çalıştırmadan önce gerekli onarımları yapın.
- Çim biçme makinesi anormal derecede titreşimli çalışıyorsa (derhal kontrol edin).
- Motoru durdurun, buji telinin bağlantısını kesin ve tüm hareketli parçaların tamamen durduğundan emin olun ve varsa, takılı olan anahtarları çıkartın.
 - Çim biçme makinesinin yanından ayrılacağınızda.
 - Yakıt doldurmadan önce.
- Motor durdurulurken jikle kolu ayarını düşürün ve motorda bir kesme vanası varsa çim biçme işleminden önce yakıtı kesin.

Bakım ve saklama

- Makineyi sürekli olarak güvenli ve çalışır durumda tutmak için tüm somunların, civataların ve vidaların sağlam şekilde sıkıldığından emin olun.
- Makineyi kesinlikle yakıt deposu doluyken bir bina içerisinde saklamayın, aksi takdirde yakıt buharı açık bir alevle temas ederek yangına neden olabilir.
- Kapalı bir yere koymadan önce motorun soğumasını bekleyin.
- Yangın tehlikesini düşürmek için, motordaki, susturucudaki, akü bölümündeki ve benzin deposu alanındaki çimleri, yaprakları veya aşırı gresi temizleyin.
- Çim haznesinde aşınma veya hasar olup olmadığını sık sık kontrol edin.
- Güvenlik nedeniyle aşınmış veya hasarlı parçaları değiştirin.
- Yakıt deposunun boşaltılması gerekiyorsa, bu işlemin dışarıda yapılması gerekir.



UYARI: Hareketli bıçaklara dokunmayın.



UYARI: Yakıt doldurma işlemini iyi havalandırılan bir alanda ve motoru durdurduktan sonra gerçekleştirin.

3. PARÇALARIN TANIMI (Şekil 1A & 1B)

Şunlar dahildir

- A: Buji anahtarı
- B: Deşarj kanalı

4. TEKNİK BİLGİLER

Model	PLM5121	PLM5120
Motor tipi	B&S675EX Serisi, ReadyStart, 126T	B&S625E Serisi, 122T
Otomatik tahrikli	Evet	Hayır
Motor hacmi	190 cm ³	190 cm ³
Bıçak genişliği	510 mm	510 mm
Anma devri	2.800/dak	2.800/dak
Yakıt deposu kapasitesi	1,0 L	1,0 L
Net ağırlık	31,7 kg	28 kg
Yüksek ayarı:	25-70 mm, 5 kademeli	
L _{pA} (SPL) (kullanıcı tarafında) (k = 3 dB (A))	79,2 dB (A)	78,9 dB (A)
Garanti edilen ses gücü seviyesi L _{WA}	98 dB (A)	98 dB (A)
Titreşim (k = 1,5 m/sn ²)	2,305 m/s ²	2,056 m/s ²

5. MONTAJ

5-1 KATLANIR KOLUN TAKILMASI

- Alt tutma demirlerini şekillerde gösterildiği kilitleme mandallarını kullanarak ünite gövdesine sabitleyin. (**Şekil 2A, Şekil 2B, Şekil 2C, Şekil 2D**)
- Üst ve alt tutma kollarını kilitleme mandalı ile bağlayın. (**Şekil 2E, Şekil 2F, Şekil 2G**)
- Kablo kelepçesini şekilde gösterildiği konuma yerleştirin ve ardından kabloyu geçirin. (**Şekil 2H**)

6. KESME YÜKSEKLİĞİNİN AYARLANMASI

Kolu, yukarı doğru çekerek dişli parçadan ayırın. Yüksekliği ayarlamak için kolu ileriye veya geriye çekin. Yükseklik (bıçakla zemin arasındaki mesafe) 25 mm (1. kademe: en düşük konum) ile 70 mm (5. kademe: en yüksek konum) arasında 5 yükseklik kademesinde ayarlanabilir. (**Şekil 3A, Şekil 3B**).

Çim biçme yüksekliğini değiştirmeden önce çim biçme makinesini durdurun ve buji telinin bağlantısını kesin.



UYARI: Bu ayar işlemini mutlaka bıçak durduktan sonra gerçekleştirin.

7. UYGUN YÜKSEKLİK AYARI (Şekil 4A, Şekil 4B)

- Alt kolu sabitleyen kilitleme mandallarını açın. (**Şekil 4A**)
- Alt kolu yukarı ve aşağı hareket ettirerek, uygun yükseklik ayarını gerçekleştirin. (**Şekil 4B**)
Bu tip çim biçme makinelerinde 1. kademe en yüksek konum ve 3. kademe en düşük konum olmak üzere 3 ayar yüksekliği bulunur.
- Uygun yükseklik ayarını gerçekleştirdikten sonra, kilitleme mandalları ile alt kolu tekrar sabitleyin.



UYARI: Alt kolun sol tarafı ile sağ tarafı mutlaka aynı yüksekliğe ayarlanmalıdır.

8. ÇALIŞTIRMA KOLU (Şekil 5)

Çalıştırma kolunu motordan ip kılavuzuna doğru çekin.

9. “2’Sİ 1 ARADA”

9-1 YANDAN BOŞALTMA İÇİN SIFIRLAMA

- Yandan boşaltma için yan kapağı kaldırın. (**Şekil 6A**)
- Yandan boşaltma deşarj kolunu yan kapak üzerindeki destek pimine yerleştirin. (**Şekil 6A, Şekil 6B**)
- Yan kapağı, deşarj kanalı üzerine indirin. (**Şekil 6C**)



Çalışmalar yalnızca motor ve kesici durduktan sonra gerçekleştirilmelidir!

9-2 MALÇ SERME MAKİNESİ

Malç serme işlemi nedir?

Malç serme işlemi yapılırken, bir çalışma aşamasında çim kesilir ve daha sonra ince ince parçalandıktan sonra doğal gübre olarak tekrar serilir.

Malç serme işlemi ile ilgili ipuçları:

- 6 ila 4 cm çim yüksekliğinde maksimum 2 cm'lik düzenli kesimler yapın.
- Keskin bir kesme bıçağı kullanın
- Yaş çimde kesim yapmayın
- Maks. motor devrini ayarlayın
- Yalnızca yürüme hızında kesim yapın
- Malç serme aparatını, muhafazanın iç kısmını ve çim biçme bıçağını düzenli olarak temizleyin



UYARI: Bu işlemleri yalnızca motor ve kesici durduktan sonra gerçekleştirin.

- Yan kapağı kaldırın ve deşarj kanalını çıkartın. (**Şekil 7A, Şekil 7B**)
 - Yan kapak, yay kuvvetiyle otomatik olarak gövdedeki deşarj açıklığını kapatacaktır.
 - Yan kapak ve deşarj açıklığı üzerindeki çim ve yabancı maddeleri düzenli olarak temizleyin.

10. ÇALIŞTIRMA TALİMATLARI

10-1 BAŞLAMADAN ÖNCE

Çim biçme makinesinde takılı olan motorun ayrı verilen kılavuzdaki talimatları takip ederek motora benzin ve yağ koyun. Talimatları dikkatlice okuyun.



UYARI: Benzin yüksek derecede tutuşabilir bir sıvıdır.

Yakıtı bu amaçla özel olarak tasarlanmış konteynerlerde saklayın.

Yalnızca açık havada ve motoru başlatmadan önce yakıt doldurun ve yakıt doldururken sigara içmeyin.

Motor çalışırken veya motor hala sıcakken kesinlikle yakıt deposu kapağını açmayın veya yakıt doldurmayın. Etrafa benzin dökülürse, motoru çalıştırmayın, makineyi benzinin döküldüğü alandan uzak bir yere taşıyın ve benzin buharı dağılına kadar tutuşturucu kaynakları ilgili alandan uzak tutun.

Tüm yakıt deposu ve konteyner kapaklarını sağlam şekilde sıkın.

Bıçakta bakım yapmak veya yağı boşaltmak için çim biçme makinesini yatırmadan önce, depodaki benzini boşaltın.



UYARI: Yakıt deposunu kesinlikle bina içinde, makine çalışırken doldurmayın ve motor durduktan sonra en az 15 dakika motorun soğuması için bekleyin.

10-2 MOTORUN ÇALIŞTIRILMASI VE BİÇAĞIN TAKILMASI

1. Ünitede bujinin ucunda bir kauçuk kapak bulunur, buji telinin ucundaki (kauçuk kapağın içindeki) metal kancanın bujideki metal uca sağlam şekilde takıldığından emin olun.

2.1. PLM5121 için:

Soğuk veya sıcak motor çalıştırılırken, jikle kolunu "☁" konumu ile "☁" konumu arasında bir noktaya getirin. Çalıştırma sırasında, jikle kolunu "☁" konumuna getirin. **(Şekil 8B)**

2.2. PLM5120 için:

Soğuk çalıştırma sırasında, motoru çalıştırmadan önce ilk çalıştırma düğmesine 3-5 defa basın ve jikle kolunu "☁" konumuna getirin. Sıcak bir motoru çalıştırırken ise jikle kolunu "☁" konumuna getirin. **(Şekil 8A, Şekil 8B)**

3. Makinenin arkasına geçtikten sonra, fren kontrol kolunu tutun ve **Şekil 8C'**de gösterildiği gibi üst kola doğru çekin.

4. Çalıştırma kolunu **Şekil 8C'**de gösterildiği gibi tutun ve hızlı bir şekilde yukarıya doğru çekin. Motor çalıştıktan sonra yavaş bir şekilde ip kılavuzu civrasına geri brakin.

Motoru ve bıçağı durdurmak için fren kontrol kolunu brakin. **(Şekil 8D)**



Motoru ayaklarınız bıçaktan uygun uzaklıktayken talimatlara uygun ve dikkatli bir şekilde çalıştırın.



Motoru çalıştırırken çim biçme makinesini yatırmayın. Çim biçme makinesini düz ve üzerinde çim veya başka bir engel bulunmayan bir zemin üzerinde çalıştırın.



Ellerinizi ve ayaklarınızı hareketli parçalardan uzak tutun. Deşarj açıklığının önünde duruyorken, motoru çalıştırmayın.

10-3 ÇALIŞTIRMA PROSEDÜRLERİ

Çalıştırma sırasında, fren kontrol kolunu her iki elinizle sıkıca tutun.



NOT: Çalıştırma sırasında, fren kontrol kolu bırakıldığında, motor duracak ve bu nedenle çim biçme işlemi de kesilecektir.

10-4 MOTORU DURDURMAK İÇİN



DİKKAT: Motor durdurulduktan sonra bıçak birkaç saniye daha dönmeye devam eder.

1. Motoru ve bıçağı durdurmak için fren kontrol kolunu bırakın.
2. Başında değilken, makinenin istemsiz şekilde çalışmasını önlemek için, ayrı verilen motor kılavuzunda açıklanan talimatlara göre buji telinin bağlantısını kesin ve topraklayın.

10-5 OTOMATİK HAREKET BAĞLANTISI

PLM5121 için

Kendinden tahrikli kontrol kolunu çektiğinizde, çim biçme makinesi otomatik olarak yaklaşık 3,6 km/sn hızla ilerlemeye başlayacaktır **(Şekil 9)**; kendinden tahrikli kolu bıraktığınızda ise çim biçme makinesi duracaktır.



DİKKAT: Çim biçme makineniz, 250 mm'yi geçmeyen yüksekliklerdeki normal bahçe çimlerinin kesilmesi için tasarlanmıştır.

Normalden uzun, kuru veya yaş çimleri (örn. otlak) veya kuru yaprak yığınlarını biçmeye çalışmayın. Çim biçme makinesinin gövdesinde pislik birikebilir ve potansiyel bir yangın tehlikesi oluşturacak şekilde motor egzozuna temas edebilir.

10-6 ÇİM BİÇME İŞLEMİ SIRASINDA EN İYİ SONUÇ İÇİN

Biçilecek alandaki yabancı maddeleri temizleyin. Biçilecek alanda çim biçme makinesi tarafından fırlatılabilecek ve operatörün veya diğer kişilerin ciddi şekilde yaralanmasına ve makinenin ve çevredeki eşyaların hasar görmesine neden olabilecek taş, ağaç dalları, tel vs. gibi yabancı maddeler bulunmadığından emin olun. Yaş çimde kesim yapmayın. Çim biçme işleminin etkin şekilde uygulanması için yaş çimde kesim yapmayın, aksi takdirde yaş çim, gövdenin alt tarafına yapıparak, biçilen çimlerin uygun şekilde serilmesini engelleyebilir. Çimim uzunluğunun 1/3'ünden fazlasını kesmeyin. Çim biçme işlemi için önerilen kesim miktarı, çim uzunluğunun

1/3'üdür. Makinenin hareket hızı, kırılan çimler alana eşit şekilde dağıtılabilecek şekilde ayarlanmalıdır. Özellikle, yoğun çimde yapılan kesim işlemlerinde, çim biçme işleminin düzgün yapılabilmesi için en düşük devirlerden birinin kullanılması gerekebilir. Uzun çimde biçme işlemi gerçekleştirilirken, alana iki geçişte biçebilir, ikinci kesimde bıçak uzunluğunu 1/3'ü kadar alçaltabilir ve alana ilk kesimden farklı bir modelde biçebilirsiniz. Kesim yapılan bir önceki şeridin bir miktar üzerinden geçilmesi de yanlış serilmiş çimlerin temizlenmesine yardımcı olacaktır. Çim biçme makinesi, en iyi sonucun elde edilmesi ve çim biçme işleminin en etkin şekilde yapılması için tam açıklıkta çalıştırılmalıdır. Gövdenin alt kısmını temizleyin. Çimlerin birikmesini ve malç serme işleminin uygun şekilde yapılmasını engellemesini önlemek için, her kullanımdan sonra kesme gövdesinin alt kısmının temizlendiğinden emin olun. Yaprakların biçilmesi. Yaprakların biçilmesi de çimlerin için yararlı olabilir. Yaprakları biçerken, yaprakların kuru olmasına ve toprakta çok kalın bir tabaka halinde bulunmamasına dikkat edin. Çim biçme işlemine başlamadan önce, ağaçlardaki tüm yaprakların dökülmesini beklemeyin.



UYARI: Yabancı bir maddeye çarptığınızda, motoru durdurun. Bujideki kabloyu çıkartın, çim biçme makinesinde herhangi bir hasar olup olmadığını dikkatlice kontrol edin ve makineyi yeniden çalıştırmadan önce tespit edilen hasarları onarın. Çalışma sırasında makinenin aşırı titreşimli çalışması hasar olduğunun bir göstergesidir. Bu durumda, makine derhal kontrol edilmeli ve onarılmalıdır.

10-7 GÖVDE

Kırılan çimlerin, yaprakların, pisliklerin ve diğer yabancı maddelerin birikmesinin önlenmesi için, çim biçme makinesinin gövdesinin alt tarafı her kullanımdan sonra temizlenmelidir. Yabancı maddelerin bu şekilde birikmesine izin verilirse, paslanma ve korozyon oluşabilir ve malç serme işlemi doğru şekilde uygulanamayabilir. Gövde, çim biçme makinesini eğilerek ve uygun bir aletle fırçalanarak temizlenebilir (bujı telinin bağlantısının kesildiğinden emin olun).

11. BAKIM TALİMATLARI

BUJİ

Mevcut bujii yalnızca orijinal yedek parçalarla değiştirin. En iyi sonucu elde etmek için, bujii her 100 saatlik kullanımda bir değiştirin.

12. YAĞLAMA TALİMATLARI



DİKKAT: SERVİS İŞLEMİNDEN ÖNCE BUJİYİ ÇIKARTIN.

1. TEKERLEKLER-Her mevsimde en az bir kere tekerleklerdeki biyalı yatakları ince bir yağla yağlayın.
2. MOTOR-Motor kılavuzunda verilen yağlama talimatlarını takip edin.
3. BIÇAK KONTROLÜ-Her mevsimde en az bir kere bıçak kontrol kollunun bağlantı noktalarını ve fren

kablosunu ince bir yağla yağlayın. Bıçak kontrolü mutlaka her iki yönde serbestçe hareket etmelidir.

13. TEMİZLEME



DİKKAT: Motora doğrudan su tutmayın. Su, motora zarar verebilir veya yakıt sistemini kirletebilir.

1. Gövdreyi kuru bir bezle silin.
2. Bujı üstte kalacak şekilde çim biçme makinesini eğdikten sonra gövdenin altına su tutun.

13-1 MOTOR HAVA TEMİZLEYİCİ



DİKKAT: Kir ve tozun hava filtresinin köpük elemanı tıkanmasına izin vermeyin. Motor hava temizleyici bileşeni mutlaka her 25 saatlik normal çalıştırmadan sonra servise alınmalıdır (temizlenmelidir). Çim biçme makinesi kuru ve tozlu koşullarda kullanılıyorsa, köpük elemanı düzenli olarak servise alınmalıdır. (Bkz. MOTOR KULLANMA KILAVUZU)

HAVA FİLTRESİNİ TEMİZLEMEK İÇİN

1. Vidayı sökün. (**Şekil 10A, Şekil 10B**)
2. Kapağı çıkartın.
3. Filtre elemanını sabunlu suyla yıkayın. **BENZİN KULLANMAYIN!**
4. Filtre elemanını havayla kurutun.
5. Köpük filtreye birkaç damla SAE30 yağ uygulayın ve fazla yağı atılması için filtreyi hafifçe sıkın.
6. Filtreyi geri takın.



NOT: Yıpranmış, aşınmış, hasar görmüşse veya temizlenemiyorsa filtreyi değiştirin.

13-2 KESME BIÇAĞI



DİKKAT: Motorun istem dışı şekilde çalışmasını önlemek için, kesme bıçağı üzerinde herhangi bir çalışma yapmadan önce bujı telinin bağlantısının kesildiğinden ve topraklandığından emin olun. Kesme bıçaklarını ağır hizmet tipi eldivenler veya kalın bir bezle tutarak, ellerinizi koruyun. Çim biçme makinesini, ayrı verilen kılavuzda açıklandığı şekilde yatırın. Bıçağı ve bıçak adaptörünü motorun krank miline sabitleyen altı köşeli civatayı ve pulu sökün. Bıçağı ve adaptörü krank milinden çıkartın.



UYARI: Bıçak adaptöründe çatlak olup olmadığını düzenli olarak, özellikle de yabancı bir nesneye çarptıktan sonra kontrol edin. Gerekirse, değiştirin.

En iyi sonucun elde edilmesi için bıçak daima keskin olmalıdır. Bıçak, çıkartılabilir ve orijinal eğime mümkün olduğunca sadık kalınarak kesici kenarı taşlanarak veya bilerek keskinleştirilebilir. Bıçak dengesinin bozulmaması için, her bir kesici kenarın eşit miktarda taşlanması veya bilenmesi oldukça önemlidir. Bıçağın dengesiz olması, aşırı titreşime ve neticesinde motorun ve çim biçme makinesinin bozulmasına veya hasar görmesine neden olabilir. Bileme işleminden sonra

biçağın diklatte içindeki dengelenen emine olun. Yuvarlak bir tornavidaya takılarak biçağın dengede olup olmadığını kontrol edilebilir. Uygun şekilde dengelenene kadar ağır taraftaki metali bileyin.

Bıçağı ve bıçak adaptörünü makineye geri takmadan önce, motorun krank milini ve bıçak adaptörünün iç yüzeyini ince bir yağla yağlayın. Bıçak adaptörünü motor krank miline takın. Bkz. **Şekil 11**. Bıçağı, parça numarası adaptörden uzağa bakacak şekilde yerleştirin. Pulu, bıçakla hizalayın ve altı köşeli civatayı takın. Altı köşeli civatayı aşağıda verilen tork değerine kadar sıkın:

13-3 BIÇAK MONTAJ TORKU

Tüm ünitenin güvenli şekilde çalışmasının garantisi edilmesi için, ortadaki civata 40Nm-50Nm. TÜM somunların ve civataların doğru sıkılıkla olup olmadığını düzenli olarak kontrol edilmesi gerekir.

Makine uzun bir süre, özellikle de kumlu toprak koşullarında kullanılması halinde, bıçak aşınır ve orijinal şeklini bir miktar kaybeder. Bu durumda, kesim performansı düşeceğinden, bıçağın değiştirilmesi gerekir. Bıçağı yalnızca fabrika tarafından onaylanmış bir bıçakla değiştirin. Bıçağın dengesiz olmasından kaynaklanabilecek hasarlardan dolayı üretici sorumlu tutulamayacaktır.

Bıçağı değiştirirken, mutlaka bıçak üzerinde belirtilen orijinal bıçak tipi (MAKITA 263001826) kullanılmalıdır (bıçak siparişi için, mutlaka dağıtıcınıza danışın veya şirketimizi arayın).



UYARI: Hareketli bıçaklara dokunmayın.

13-4 MOTOR

Motorun bakım talimatları için ayrı verilen motor kılavuzuna bakın.

Motor yağını makinenizle birlikte verilen motor kılavuzunda belirtildiği şekilde doldurun ve yenileyin.

Talimatları dikkatli bir şekilde okuyun ve uygulayın. Hava temizleyiciyi ayrı verilen motor kılavuzuna uygun olarak normal koşullarda servise alın.

Çok tozlu koşullarda hava temizleyiciyi her birkaç saatte bir temizleyin. Motor performansının düşük olması ve motorun tıkanması genellikle hava temizleyicinin servise alınması gerektiğini gösterir.

Hava temizleyiciyi servise almak için, makinenizle birlikte verilen ayrı motor kılavuzuna bakın.

Her mevsimde buji temizlenmeli ve boşluk sıfırlanmalıdır.

Her çim biçme sezonundan önce bujinin değiştirilmesi önerilir. Doğru buji tipi ve boşluk değerleri için motor kılavuzuna bakın.

Motoru bir bez parçası veya fırça ile düzenli olarak temizleyin. Motor performansı ve ömrü için oldukça önemli olan, uygun hava devridaimini sağlamak için soğutma sistemini (üfleme muhafaza alanı) daima temiz tutun. Susturucu alanındaki tüm çimin, kirlerin ve tutuşabilir pisliklerin temizlendiğinden emin olun.

14. DEPOLAMA TALİMATLARI (SEZON DIŞI)

Çim biçme makinesinin depoya kaldırılması için aşağıdaki hazırlık adımlarının takip edilmesi gerekir.

1. Sezonun son çim biçme işlemi tamamladıktan sonra depoyu boşaltın.

a) Benzin deposunu bir emme pompası yardımıyla boşaltın.



DİKKAT: Benzin boşaltma işlemi kapalı odalarda, açık aleve yakın yerlerde vs. gerçekleştirmeyin. Çalışma sırasında sigara içilmesine izin vermeyin! Benzin buharları patlamaya veya yangına neden olabilir.

b) Motoru çalıştırın ve kalan tüm benzin tükenene ve motor kendiliğinden durana kadar çalışmasına izin verin.

c) Bujiyi çıkartın. Bir yağdanlık kullanarak yanma hücrelerine yaklaşık 20 ml yağ doldurun. Yağı yanma hücrelerinin tamamına eşit şekilde dağıtmak için marş çalıştırın. Bujiyi değiştirin.

2. Yukarıda "Yağlama" bölümünde açıklandığı gibi çim biçme makinesini dikkatli bir şekilde temizleyin ve yağlayın.

3. Korozyonu önlemek için kesiciyi hafifçe yağlayın.

4. Çim biçme makinesini kuru, temiz ve donmayacak ve makineyi kullanmaya yetkili olmayan kişilerin erişemeyeceği bir yerde saklayın.



DİKKAT: Çim biçme makinesi depoya kaldırılmadan önce motor mutlaka tamamen soğumalıdır.



NOT:

- Herhangi bir elektrikli alet havalandırılmayan bir odaya veya malzeme deposuna kaldırılıyorsa, mutlaka paslanmaya karşı önlem alınmalıdır. Makineyi, özellikle de kablolarını ve hareketli tüm parçalarını ince bir yağ veya silikonla yağlayın.

- Kabloların bükülmemesi veya dolaşmamasına dikkat edin.

- Çalıştırma ipinin koldaki ip kılavuzundan çıkması halinde, buji telinin bağlantısını kesin ve topraklayın, bıçak kontrol koluna bastırın ve çalıştırma ipini motordan yavaşça çekin. Çalıştırma ipini koldaki ip kılavuz civatasına geri takın.

Taşıma

Motoru kapalı konuma getirin. Çim biçme makinesini engeller üzerinden geçerken kesicinin eğilmeyeceğinden veya hasar görmeyeceğinden emin olun.

15. SORUN GİDERME

SORUN	OLASI NEDENİ	DÜZELTİCİ İŞLEM
Motor çalışmıyor.	Mevcut koşullar için jikle kolu doğru konumda değildir.	Jikle kolunu doğru konuma getirin.
	Yakıt deposu boştur.	Yakıt deposunu doldurun: (bkz. MOTOR KULLANMA KILAVUZU).
	Hava temizleyici elemanı kirlidir.	Hava temizleyici elemanını temizleyin: (bkz. MOTOR KULLANMA KILAVUZU).
	Buji gevşektir.	Bujiyi 25-30 Nm değerine kadar sıkın.
	Buji teli gevşektir veya bujiden çıkmıştır.	Buji telini bujiye geri takın.
	Buji boşluğu yanlışır.	Boşluğu elektrotlar arasında 0,7 ila 0,8 mm boşluk olacak şekilde ayarlayın.
	Buji hasarlıdır.	Yeni bir buji takın ve buji boşluğunu doğru şekilde ayarlayın: (bkz. MOTOR KULLANMA KILAVUZU).
	Karbüratör yakıtla dolmuştur.	Hava temizleyici elemanını sökün, çalıştırma ipini karbüratör kendini temizleyinceye kadar art arda çekin ve ardından hava temizleyici elemanını geri takın.
	Ateşleme modülü arızalıdır.	Servis merkezine danışın.
Motor zor çalışıyor veya güç kaybediyor.	Yakıt deposunda kir, su veya uygun olmayan benzin vardır.	Depoyu boşaltın ve temizleyin. Depoyu temiz ve yeni yakıtla doldurun.
	Yakıt deposu kapağındaki havalandırma deliği tıkalıdır.	Yakıt deposu kapağını temizleyin veya değiştirin.
	Hava temizleyici elemanı kirlidir.	Hava temizleyici elemanını temizleyin.
Motor düzensiz şekilde çalışıyor.	Buji hasarlıdır.	Yeni bir buji takın ve buji boşluğunu doğru şekilde ayarlayın: (bkz. MOTOR KULLANMA KILAVUZU).
	Buji boşluğu yanlışır.	Boşluğu elektrotlar arasında 0,7 ila 0,8 mm boşluk olacak şekilde ayarlayın.
	Hava temizleyici elemanı kirlidir.	Hava temizleyici elemanını temizleyin: (bkz. MOTOR KULLANMA KILAVUZU).
Motor rölantide yanlış çalışıyor.	Hava temizleyici elemanı kirlidir.	Hava temizleyici elemanını temizleyin: (bkz. MOTOR KULLANMA KILAVUZU).
	Motor kapağındaki hava delikleri tıkalıdır.	Deliklerdeki pislikleri temizleyin.
	Soğutma kanatları ve motor fanının altındaki hava geçişleri tıkalıdır.	Soğutma kanatlarındaki ve hava geçişlerindeki pisliği temizleyin.
Motor yüksek devirde doğru çalışmıyor.	Buji elektrotları arasındaki boşluk çok azdır.	Boşluğu elektrotlar arasında 0,7 ila 0,8 mm boşluk olacak şekilde ayarlayın.
Motor aşırı ısınıyor.	Soğutma havası debisi yetersizdir	Motor kapağındaki, fan muhafazasındaki ve hava geçişlerindeki deliklerdeki pislikleri temizleyin.
	Buji hatalıdır.	Motora RJ19LMC buji ve soğutma kanatları takın.
Çim biçme makinesi aşırı derecede titreşimli çalışıyor.	Kesme tertibatı gevşektir.	Bıçağı sıkın.
	Kesme tertibatı dengesizdir.	Bıçağı dengeleyin.

16. GARANTİ

Bu ürün, ilk kullanıcıya satış tarihinden itibaren geçerli olmak üzere 12 ay boyunca ilgili yönetmelikler uyarınca garanti kapsamındadır.

Bu garanti tüm malzeme ve üretim hatalarını kapsamaktadır; ancak yataklar, fırçalar, kablolar, fişler vb. gibi parçaların veya matkaplar, matkap uçları, testere bıçakları vb. gibi aksesuarların normal aşınması ve yıpranmasını, yanlış kullanım, kazalar veya izinsiz değişiklikler nedeniyle ortaya çıkan hasarları ve kusurları ve nakliye masraflarını kapsamaz.

Ürünün satın alındığı tarihin belgelenememesi veya ürün bakımının doğru şekilde yapıldığının (Havalandırma delikleri temizlenmeli, karbon fırçaları düzenli olarak bakıma alınmalıdır, vb.) anlaşılabilmesi durumunda, tüm talepleri geri çevirme hakkımız saklıdır.

Ürünü satın aldığınız tarihi belgelemek için mutlaka satış fişini saklayın.

Garanti kapsamındaki makine herhangi bir şekilde sökülmeden ve kabul edilebilir bir temizlikte, ürünün varsa, orijinal kutusunda ve satış fişiyle birlikte dağıtıcıya gönderilmelidir.

17. ÇEVRE

Uzun süre kullanıldıktan sonra makinenin değiştirilmesi gerekirse, makineyi normal ev çöprüyle birlikte atmayın, çevreye zarar vermeyecek bir şekilde bertaraf edin.

18. AT UYGUNLUK BEYANI

(Yalnızca Avrupa ülkeleri için)

Makita Corporation, sorumlu üretici firma olarak, Makita marka makine/makineler ile ilgili şu hususları beyan eder:

Makinenin Adı: Benzinli Çim Biçme Makinesi
Model Numarası / Tipi: PLM5120, PLM5121
Teknik Özellikler: Bkz. "4. TEKNİK BİLGİLER"
seri üretimdir ve

Şu Avrupa Yönergelerine uygundur:

2004/108/EC, 2006/42/EC, 2000/14/EC&2005/88/EC

Ve şu standartlara veya standartlaştırılmış belgelere uygun olarak üretilmiştir:

EN ISO 14982, EN836

Bu teknik doküman aşağıda açık adresi bulunan Avrupa'daki yetkili temsilcimiz tarafından kontrol edilmektedir:

Makita International Europe Ltd.

Michigan Drive, Tongwell,

Milton Keynes, Bucks MK15 8JD, İngiltere

2000/14/EC sayılı Direktif tarafından istenen uygunluk değerlendirme prosedürü, Ek V'e uygundur.

Onaylayan Kurum:

TÜV SÜD Industrie Service GmbH

Westendstraße 199, 80686 München, Almanya

Tanım Numarası: 0036

Model: PLM5120

Ölçülen Ses Gücü düzeyi: 92,3 dB (A)

Garanti Edilen Ses Gücü düzeyi: 98 dB (A)

Model: PLM5121

Ölçülen Ses Gücü düzeyi: 92,4 dB (A)

Garanti Edilen Ses Gücü düzeyi: 98 dB (A)

30.11.2011



Tomoyasu Kato

Müdür

Makita Corporation

3-11-8, Sumiyoshi-cho,

Anjo, Aichi, JAPAN

Förklaring till översikt bilderna

- | | | |
|--|-------------------------|------------------|
| 1. Bromskontrollhandtag | 7. Kabelklämma | 14. Starthandtag |
| 2. Övre handtag | 8. Höjdinställningsspak | 15. Bult |
| 3. Kontrollhandtag för självgående drift | 9. Klippdäck | 16. Bricka |
| 4. Chokereglage | 10. Sidolucka | 17. Primerknapp |
| 5. Styring för startsnöre | 11. Tändstift | 18. Skruv |
| 6. Låsraff | 12. Tanklock | |
| | 13. Oljelock | |

**VARNING:**

Var god och läs igenom bruksanvisningen för din egen säkerhet innan du använder din nya maskin. I annat fall kan det leda till allvarlig personskada. Ägna dig en stund åt att lära dig hur gräsklipparen fungerar före varje användning.

1. SYMBOLER MÄRKTA PÅ PRODUKTEN



Läs igenom bruksanvisningen.



Håll åskådare borta.



Var mer uppmärksam på dina händer och fötter för att undvika olyckor.



Bränsle är lättantändligt, håll det borta från öppen eld. Tanka inte med motorn igång.



Giftiga avgaser. Kör inte motorn inomhus.



Vid klippning, bär skyddsglasögon och öronproppar för att skydda dig själv.



Vid reparation, ta bort tändstiftet och reparera sedan maskinen enligt bruksanvisningen.



Försiktighet! Het motor.

2. ALLMÄNNA SÄKERHETSANVISNINGAR



VARNING: Vid användning av bensindrivna maskiner ska alltid grundläggande säkerhetsföreskrifter, inklusive följande, efterlevas för att minska risken för allvarlig personskada och/eller skada på maskinen. Läs igenom alla dessa anvisningar innan du använder denna produkt och behåll anvisningarna för framtida bruk.



VARNING: Maskinen bildar ett elektromagnetiskt fält omkring sig under användningen. Under vissa förhållanden kan detta fält störa aktiva eller passiva medicinska implantat. För att minska risken för allvarlig eller dödlig skada, rekommenderar vi personer med medicinskt implantat att konsultera sin läkare och tillverkaren av det medicinska implantatet innan de använder maskinen.

Utbildning

- Läs noggrant igenom anvisningarna. Bekanta dig med kontrollerna och den korrekta användningen av utrustningen.
- Låt aldrig gräsklipparen användas av barn eller av personer som inte känner till dessa anvisningar. Lokala bestämmelser kan ange en åldersgräns för användaren.
- Använd aldrig gräsklipparen när personer, speciellt barn, eller djur finns i närheten.
- Glöm inte att användaren är ansvarig för olyckor eller fara gentemot andra personer och deras egendom.

Förberedelse

- Bär alltid kraftiga skor och långbyxor när du klipper gräs. Använd inte utrustningen barfota eller med öppna skor.
- Kontrollera noggrant hela arbetsområdet och ta bort alla föremål som kan kastas iväg av maskinen.
- **VARNING** - Bensin är mycket lättantändligt.
 - Förvara bränsle i specialbehållare som är avsedda för detta ändamål.
 - Tanka endast utomhus och rök inte vid tankningen.

- Tanka innan motorn startas. Ta alltid bort tanklocket eller tanka medan motorn är igång eller när motorn är het.
- Försök inte att starta motorn om du har spillt bensen utan rulla bort maskinen från det området och undvik att skapa någon form av antändning förrän bensenångorna dunstat.
 - Tillslut tanklock och bränslebehållare säkert.
- Byt ut trasiga ljuddämpare.
- Utför alltid en visuell inspektion innan användningen för att kontrollera att knivar, knivbultar och knivmonteringen inte är utnötta eller skadade. Ersätt samtliga utnötta eller skadade knivar och bultar i hela satser så att balansen bibehålls.

Användning

- Kör inte motorn i ett begränsat utrymme där farlig koloxid kan ansamlas.
- Klipp endast i dagsljus eller i god belysning.
- Undvik om det är möjligt att använda utrustningen i vått gräs.
- Se alltid till att ha balans på sluttingar.
- Gå, spring aldrig.
- För hjulförsedda roterande maskiner: klipp tvärs över sluttande terräng, aldrig upp och ner.
- Var särskilt försiktig vid byte av riktning i sluttande terräng.
- Klipp inte på väldigt branta ytor.
- Var särskilt försiktig när du vänder eller drar gräsklipparen emot dig.
- Stoppa kniven/knivarna om gräsklipparen måste lutas för att transporteras över gräsfria ytor och när gräsklipparen transporteras till och från ytan där gräset ska klippas.
- Använd aldrig gräsklipparen med trasiga skyddsanordningar eller utan säkerhetsutrustning som t ex stenskydd och/eller gräsupsamlare.
- Ändra inte inställningen av motorns varvtalsregulator eller övervarva motorn.
- Frikoppla alla kniv- och drivkopplingar innan du startar motorn.
- Starta motorn omsorgsfullt enligt anvisningarna och med fötterna på bra avstånd från kniven/knivarna.
- Luta inte gräsklipparen när du startar motorn.
- Starta inte motorn när du står framför utkastöppningen.
- Placera inte händer och fötter i närheten eller under roterande delar. Stå alltid långt ifrån utkastöppningen.
- Lyft aldrig upp eller bär gräsklipparen med motorn igång.
- Stoppa motorn och lossa tändkabeln, kontrollera att alla rörliga delar har stannat helt och ta bort tändningsnyckeln där det finns en:
 - Innan du tar bort något som fastnat eller rensar utkastrännan.
 - Innan gräsklipparen kontrolleras, rengörs eller något arbete utförs på den.
 - Om du slagit emot ett främmande föremål. Kontrollera gräsklipparen om det uppstått skador och utför reparationer innan gräsklipparen startas om och används på nytt.
 - Om gräsklipparen börjar vibrera onormalt (kontrollera omedelbart).

- Stanna motorn och lossa tändkabeln, kontrollera att alla rörliga delar har stannat helt och ta bort tändningsnyckeln där det finns en:
 - När du lämnar gräsklipparen utan uppsikt.
 - Innan tankning.
- Minska gaspådraget när motorn ska stängas av och, om motorn är försedd med en avstängningsventil, stäng av bränsletillförseln i slutet av klippningen.

Underhåll och förvaring

- Se till att alla muttrar, bultar och skruvar är åtdragna för att alltid bibehålla utrustningen i säkert arbetskick.
- Förvara aldrig utrustningen med bensen i tanken i en byggnad där ångor kan komma i kontakt med öppen eld eller gnistor.
- Låt motorn svalna innan du förvarar den i ett slutet utrymme.
- För att minska brandrisken ska motorn, ljuddämparen, batterikomponenten och utrymmet där bensen förvaras hållas fria från gräs, löv eller för mycket smörjmedel.
- Kontrollera gräsupsamlaren ofta så att den inte är utnött eller försämrad.
- Byt ut utnötta eller skadade delar för säker användning.
- Om bränsletanken måste tömmas ska det göras utomhus.



WARNING: Rör inte roterande kniv.



WARNING: Tanka i ett välventilerat utrymme med motorn avstängd.

3. BESKRIVNING AV DELAR (Fig. 1A och 1B)

Inkluderar

- A: Tändstiftsnyckel
- B: Utkastränna

4. TEKNISK DATA

Modell	PLM5121	PLM5120
Motortyp	B&S675EX Serier, ReadyStart, 126T	B&S625E Serier, 122T
Självgående	Ja	Nej
Slagvolym	190 cm ³	190 cm ³
Knivbredd	510 mm	510 mm
Märkhastighet	2 800/min	2 800/min
Bränsletankvolym	1,0 L	1,0 L
Nettovikt	31,7 kg	28 kg
Höjdinställning:	25-70 mm, 5 lägen	
L _{pA} (SPL) vid användarplatsen (k = 3 dB (A))	79,2 dB (A)	78,9 dB (A)
Garanterad ljudeffektivå L _{WA}	98 dB (A)	98 dB (A)
Vibrationer (k = 1,5 m/s ²)	2,305 m/s ²	2,056 m/s ²

5. MONTERING

5-1 MONTERA DET FÄLLBARA HANDTAGET

1. Fäst de nedre handtagsstängerna i klippdäcket med låsrattarna såsom visas. (Fig. 2A, Fig. 2B, Fig. 2C, Fig. 2D)
2. Fäst handtagets övre och undre del med låsratten. (Fig. 2E, Fig. 2F, Fig. 2G)
3. Fäst kabelklämmaren i angivet läge och sätt sedan fast kabeln. (Fig. 2H)

6. JUSTERING AV KLIPPHÖJDEN

Tryck ut spaken för att frigöra den från stället. Flytta spaken framåt eller bakåt för att justera höjden. Höjden (från kniven till marken) kan justeras från 25 mm (1 läget: det lägsta läget) till 70 mm (5 läget: det högsta läget), 5 höjdlägen. (Fig. 3A, Fig. 3B).
Stanna gräsklipparen och koppla bort tändkabeln innan du ändrar klipphöjden.



WARNING: Utför justeringen endast med stillastående kniv.

7. JUSTERING FÖR EN PASSANDE HÖJD (Fig. 4A, Fig. 4B)

1. Backa ut låsrattarna som fäster det lägre handtaget, se Fig. 4A.
2. Se Fig. 4B flytta det lägre handtaget upp och ned, och justera det till passande höjd.
Det finns 3 justeringshöjder som kan väljas på denna typ av gräsklippare. Vid läge 1 är höjden som högst och vid läge 3 är höjden som lägst.
3. Ställ in passande höjd och fäst sedan det nedre handtaget med låsrattarna.



WARNING: Vänster och höger sida på det lägre handtaget måste ställas in på samma höjd.

8. STARTHANDTAG (Fig. 5)

Flytta starthandtaget från motorn till styrningen för startsnöret.

9. "2 | 1"

9-1 OMJUSTERING FÖR SIDOUTKASTKLIPPNING

1. Lyft upp sidoluckan för sidoutkastet. (Fig. 6A)
2. Montera utkastguiden för sidoutkast på det stödjande stiftet för sidoluckan. (Fig. 6A, Fig. 6B)
3. Fäll ned sidoluckan - luckan vilar på utkastrännan. (Fig. 6C)



Endast när motorn och kniven är stillastående!

9-2 GRÄSKLIPPARE MED BIOKLIPP

Vad är bioklipp?

Vid bioklipp klipps gräset i ett arbetssteg. När det är finhackat går det tillbaka till gräsmattan som naturligt gödningsmedel.

Tips för bioklippning:

- Regelbunden nedklippning av max. 2 cm ger 6 till 4 cm gräshöjd.
- Använd en vass skärkniv
- Klipp inte vått gräs
- Ställ in max. motorhastighet
- Flytta endast i arbetstakt
- Rengör regelbundet bioklippningskilen, insidan av kåpan och klippkniven



WARNING: Endast med en avstängd motor och stillastående kniv.

1. Lyft sidoluckan och ta bort utkastrännan. (Fig. 7A, Fig. 7B)

- Sidoluckan stänger automatiskt utkastöppningen på kåpan med hjälp av fjäderns kraft.
- Rengör regelbundet sidoluckan och utkastöppningen från gräs och smuts som fastnat.



Luta inte gräsklipparen när motorn startas. Starta gräsklipparen på ett plant underlag, fritt från högt gräs och hinder.



Håll händer och fötter borta från roterande delar. Starta inte motorn när du står framför utkastöppningen.

10. ANVÄNDARANVISNINGAR

10-1 FÖRE START

Serva motorn med bensin och olja enligt anvisningarna i den separata bruksanvisningen för motorn som medföljer din gräsklippare. Läs noggrant igenom anvisningarna.



WARNING: Bensin är mycket lättantändligt.

Förvara bränsle i specialbehållare som är avsedda för detta ändamål.

Tanka endast utomhus innan motorn startas och rök inte medan du tankar eller hanterar bränslet.

Ta aldrig bort tanklocket eller tanka bensin medan motorn körs eller när motorn är het.

Försök inte att starta motorn om du har spillt bensin utan rulla bort maskinen från det området och undvik att skapa någon form av antändning förrän bensinångorna dunstat. Tillslut tanklock och bränslebehållare säkert.

Innan du lutar gräsklipparen för att utföra underhåll på kniven eller tömma ut oljan ska bränslet först tömmas ur tanken.



WARNING: Tanka aldrig inomhus, med motorn igång eller förrän motorn har svalnat i minst 15 minuter efter användning.

10-2 STARTA MOTORN OCH KOPPLA IN KNIVEN

1. Maskinen är utrustad med en gummihatt över änden på tändstiftet. Kontrollera att metallöglan på tändkabelns ände (inuti gummihatten) sitter fast ordentligt över metallspetsen på tändstiftet.
- 2.1. För PLM5121:
Vrid chokereglaget till något läge mellan "☁" och "☁☁" vid kall- eller varmstart av motorn. När motorn går, vrid chokereglaget till läget "☁☁". (**Fig. 8B**)
- 2.2. För PLM5120:
Vid kallstart, tryck in primerknappen 3-5 gånger innan motorn startas och vrid chokereglaget till läget "☁☁".
Sätt chokereglaget till läget "☁☁" vid start av varm motor och vid användning. (**Fig. 8A, Fig. 8B**)
3. Stå bakom maskinen och ta tag i bromskontrollhandtaget och håll det emot det övre handtaget, såsom visas i **Fig. 8C**.
4. Ta tag i starthandtaget såsom visas i **Fig. 8C** och dra upp det snabbt. För tillbaka det sakta till styrningsläset efter det att motorn startat.
Släpp bromskontrollhandtaget för att stanna motorn och kniven. (**Fig. 8D**)



Starta motorn omsorgsfullt enligt anvisningarna och med fötterna på bra avstånd från kniven.

10-3 ANVÄNDNINGSPROCEDURER

Håll bromshandtaget hårt med båda händerna under användning.



OBS: När bromshandtaget släpps under användningen, stannar motorn vilket stoppar gräsklipparen för drift.

10-4 STANNA MOTORN



FÖRSIKTIGHET: Kniven fortsätter att rotera i några sekunder efter det att motorn har stängts av.

1. Släpp bromskontrollhandtaget för att stanna motorn och kniven.
2. Lossa och jorda tändkabeln enligt anvisningen i den separata bruksanvisningen för motorn, för att förebygga oavsiktlig start medan utrustningen inte är under uppsikt.

10-5 ANSLUTNING FÖR AUTOMATISK FÖRFLYTTNING

För PLM5121

Ta tag i kontrollhandtaget för självgående drift, gräsklipparen kommer då att automatiskt rulla framåt i cirka 3,6 km/t (**Fig. 9**). När handtaget för självgående drift släpps, stoppar gräsklipparen.



FÖRSIKTIGHET: Din gräsklippare är konstruerad för att klippa vanligt trädgårdsgräs som inte är högre än 250 mm.
Försök inte att klippa mycket högt torrt eller blött gräs (t.ex. betesmark) eller högar av torra löv. Spillror kan byggas upp på klippdäcket eller komma i kontakt med avgasröret och skapa en möjlig brandrisk.

10-6 FÖR BÄSTA RESULTATEN VID KLIPPNING

Rensa gräsmattan från skräp. Kontrollera gräsmattan så att den är fri från stenar, pinnar, kablar eller andra främmande föremål som oavsiktligt kan kastas ut av gräsklipparen i olika riktningar och orsaka användaren eller andra allvarig skada, liksom skada på egendom och omgivande föremål. Klipp inte vått gräs. För effektiv klippning ska gräset inte klippas vått därför att det tenderar att fastna på undersidan av klippdäcket vilket förhindrar korrekt klippning av gräset. Klipp inte mer än 1/3 av gräsets längd. Den rekommenderade klippningen är 1/3 av gräsets längd. Hastigheten måste justeras så att det avklippta gräset fördelas jämnt över gräsmattan. För särskilt tung klippning i tjockt gräs kan det vara nödvändigt att använda en av de långsamma

hastigheterna för att få en ren och bra klippning. Vid klippning av långt gräs måste du kanske klippa gräsmattan i två omgångar och sänka kniven ytterligare 1/3 för den andra klippningen, och kanske klippa i en annan riktning än första gången. Att överlappa klippningen lite varje gång hjälper också till att städa upp spritt avklippt gräs som blivit kvar på gräsmattan. Gräsklipparen ska alltid användas med fullt gaspådrag för att få den bästa klippningen och för att låta den göra det mest effektiva klippjobbet. Rengör undersidan av klippdäcket. Se till att rengöra undersidan av klippdäcket efter varje användning för att undvika att gräs byggs upp, vilket skulle förhindra korrekt bioklippning. Klippning av löv. Klippning av löv kan också vara välgörande för din gräsmatta. Vid klippning av löv är det viktigt att se till att löven är torra och inte ligger i för tjockt lager på gräsmattan. Vänta inte på att alla löven ska ha fällt innan du klipper.



WARNING: Om du slår emot ett främmande föremål, stänga av motorn. Ta bort tändkabeln och inspektera gräsklipparen nogga så att det inte uppstått några skador och reparera eventuellt skada innan du startar om och använder gräsklipparen. Om gräsklipparen vibrerar onormalt under användning tyder det på skada. Maskinen ska omedelbart kontrolleras och repareras.

10-7 KLIPPDÄCK

Undersidan av klippdäcket ska rengöras efter varje användning för att förhindra uppbyggnad av klippt gräs, löv, smuts och annat material. Om dessa spillror tillåts att ansamlas kommer det att bildas rost och anfrätningar samt förhindra korrekt bioklippning. Klippdäcket kan rengöras genom att luta gräsklipparen och skrapa rent med ett passande verktyg (kontrollera att tändkabeln inte är ansluten).

11. UNDERHÅLLSANVISNINGAR

TÄNDSTIFT

Använd endast originaltändstift. Byt ut tändstiftet var 100:e användningstimme för bästa resultat.

12. SMÖRJNINGSANVISNINGAR



FÖRSIKTIGHET: KOPPLA BORT TÄNDKABELN FÖRE SERVICE.

1. HJUL-Smörj kullagren i varje hjul åtminstone en gång per säsong med en tunn olja.
2. MOTOR-Följ smörjanvisningarna i motorns bruksanvisning.
3. KNIVKONTROLL-Smörj leder på knivkontrollhandtaget och bromskabeln åtminstone en gång per säsong med tunn olja. Knivkontrollen måste fungera fritt i båda riktningarna.

13. RENGÖRING



FÖRSIKTIGHET: Spola inte motorn med vattenslang. Vatten kan skada motorn eller kontaminera bränslesystemet.

1. Torka av klippdäcket med en torr trasa.
2. Spola under klipptäcket genom att luta gräsklipparen så att tändstiftet är uppåt.

13-1 MOTORNS LUFTRENARE



FÖRSIKTIGHET: Låt inte smuts eller damm täppa igen luftfiltrets skumplast. Motorns luftrenare måste servas (rengöras) efter 25 timmars normal klippning. Skumplasten måste servas regelbundet om gräsklipparen används under torra och dammiga förhållanden. (se BRUKSANVISNINGEN FÖR MOTORN)

RENGÖRING AV LUFTFILTER

1. Ta bort skruven. (Fig. 10A, Fig. 10B)
2. Ta bort skyddet.
3. Tvätta filtret i tvålsvatten. **ANVÄND INTE BENSIN!**
4. Lufttorka filtret.
5. Sätt några droppar SAE30-olja på luftfiltrets skumplast och krama ihop hårt för att ta bort överskott av olja.
6. Montera tillbaka filtret.



OBS: Byt ut filtret om det är nött, trasigt, skadad eller inte går att rengöra.

13-2 KNIVBLAD



FÖRSIKTIGHET: Se till att koppla bort och jorda tändkabeln innan du utför arbete på knivbladet för att förebygga oavsiktlig start av motorn. Skydda händer genom att använda grova handskar eller en trasa för att ta tag i knivbladen. Luta gräsklipparen enligt anvisning i den separata bruksanvisningen för motorn. Ta bort sexkantsbulten och brickan som fäster kniven och knivadaptern till motorns vevaxel. Ta bort kniven och adaptern från vevaxeln.



WARNING: Kontrollera knivadaptern då och då så att det inte uppstått sprickor, särskilt om du slagit emot ett främmande föremål. Byt ut vid behov.

För bästa resultat ska kniven vara vass. Kniven kan riktas in på nytt genom att ta bort den och antingen slipa eller fila kniveggen och bevara originalvinkeln så bra som möjligt. Det är extremt viktigt att varje klippegg blir lika mycket slipad för att förebygga en obalanserad kniv. Felaktig knivbalans leder till mycket vibrationer som orsakar skada på motorn och gräsklipparen. Se till att noggrant balansera kniven efter slipningen. Kniven kan balanseras genom att balansera den på en rundskaftad skruvmejsel. Ta bort metall från den tunga sidan till den är i balans.

Innan du monterar tillbaka kniven och dess adapter på enheten ska motorns vevaxel och insidan på knivadaptern smörjas med en tunn olja. Montera knivadaptern på

motorns vevaxel. Se **Fig. 11**. Placera kniven med numret för delen riktat bort från adaptern. Placera brickan rakt över hålet i kniven och sätt i sexkantsbulten. Fäst sexkantsbulten till de vridmoment som finns i listan nedan:

13-3 VRIDMOMENT FÖR KNIVMONTERING

Centerbult 40Nm-50Nm, för att försäkra säker användning med din maskin måste ALLA muttrar och bultar kontrolleras periodiskt för korrekt ådragningskraft. Efter långvarig användning, speciellt i sandig jord, kommer kniven att slitas och förlora endel av sin ursprungliga skärpa. Klippningen kommer inte att bli lika effektiv och kniven bör bytas ut. Byt endast ut den mot en fabriksgodkänd reservkniv. Möjlig skada som orsakats av obalanserad kniv går inte under tillverkarens ansvar. När du byter ut kniven måste du använda originaltypen som är märkt på kniven (MAKITA 263001826) (för att beställa kniven, var god och kontakta din lokala återförsäljare eller ring vårt företag).



WARNING: Rör inte roterande kniv.

13-4 MOTOR

Se underhållsanvisningarna i den separata bruksanvisningen för motorn.

Underhåll motoroljan enligt anvisning i en den separata bruksanvisningen för motorn som medföljer din maskin. Läs igenom och följ anvisningarna noggrant.

Serva luftrenaren under normala förhållanden enligt den separata bruksanvisningen för motorn.

Rengör var och varannan timme under extremt dammiga förhållanden. Dålig motorprestanda och överfyllning tyder vanligtvis på att luftrenaren ska servas.

Se den separata bruksanvisningen för motorn som medföljer din maskin för hur luftfiltret ska rengöras. Tändstiftet ska rengöras och elektrodgapet återställas en gång per säsong. Utbyte av tändstift rekommenderas vid varje ny säsongstart. Kontrollera motorns bruksanvisning för korrekt tändstiftssort och anvisningar om elektrodgapet.

Rengör motorn regelbundet med en trasa eller borste. Håll kylsystemet (området kring fläkthuset) rent för att tillåta ordentlig luftcirkulation, vilket är nödvändigt för motorns prestanda och liv. Var säker på att du får bort allt gräs, smuts och brännbara spillror från ljuddämparen.

14. FÖRVARINGSANVISNINGAR (AVSTÄLLNING)

Följande steg ska tas för att förbereda gräsklipparen inför förvaring.

1. Töm tanken efter sista klippningen för säsongen.
 - a) Töm bensintanken med en sugpump.



FÖRSIKTIGHET: Töm inte ut bensinen i ett stängt rum, i närheten av öppen eld etc. Rök inte! Bensinångor kan orsaka explosion eller brand.

- b) Starta motorn och låt den gå tills bensinen tar slut och motorn stannar.

- c) Ta bort tändstiftet. Använd en oljekanna och fyll på med cirka 20 ml olja i förbränningskammaren. Rör på starthandtaget för att sprida oljan jämnt fördelat i förbränningskammaren. Byt ut tändstiftet.
2. Rengör och smörj gräsklipparen noggrant enligt beskrivningen ovan under rubriken "Smörjning".
3. Smörj kniven lätt för att undvika att den rostar.
4. Förvara gräsklipparen på en torr, ren och frostskyddad plats, utom räckhåll för obehöriga.



FÖRSIKTIGHET: Motorn måste ha svalnat helt innan du ställer in gräsklipparen för förvaring.



OB:

- Vid förvaring av någon typ av utrustning i ett oventilerat utrymme eller materialförvaringsbod, ska utrustningen rostskyddas. Täck utrustningen med en tunn olja eller med silikon, speciellt kablar och alla rörliga delar.
- Var försiktig så att du inte böjer eller trasslar till kablarna.
- Om startsnöret hamnar utanför styrningen på handtaget ska du koppla bort och jorda tändkabeln, tryck ner kontrollhandtaget för kniven och sakta dra ut startsnöret från motorn. Låt startsnöret glida in i styrningslåset på handtaget.

Transport

Stäng av motorn. Kontrollera så att du inte böjer eller skadar kniven när du för gräsklipparen över hinder.

15. FELSÖKNING

PROBLEM	SANNOLIK ORSAK	ÅTGÄRD
Motorn startar inte.	Choken är inte i rätt läge för rådande förhållanden.	Flytta choken till rätt läge.
	Bränsletanken är tom.	Fyll tanken med bränsle: se BRUKSANVISNINGEN FÖR MOTORN.
	Luftrenaren är smutsig.	Rengör luftrenaren: se BRUKSANVISNINGEN FÖR MOTORN.
	Tändstiftet är löst.	Dra åt tändstiftet till 25-30 Nm.
	Tändkabeln är lös eller bortkopplad från pluggen.	Montera tändkabeln på tändstiftet.
	Elektroddgapet på tändstiftet är felaktigt.	Sätt gapet mellan elektroderna vid 0,7 till 0,8 mm.
	Trasigt tändstift.	Montera ett nytt, korrekt elektroddgap: se BRUKSANVISNINGEN FÖR MOTORN.
	Förgasaren är översvämmad med bränsle.	Ta bort luftrenaren och dra i startsnöret kontinuerligt tills förgasaren rengör sig själv och montera sedan luftrenaren.
	Felaktigt tändningsmodul.	Kontakta serviceagenten.
Motorn är svårstartad eller verkar svag.	Smutsig, vattenfylld eller sliten bränsletank.	Töm ut bränslet och rengör tanken. Fyll tanken med rent och fräscht bränsle.
	Ventilationshålet i bränsletanklocket är blockerat.	Rengör eller byt ut bränsletanklocket.
	Luftrenaren är smutsig.	Rengör luftrenaren.
Motorn arbetar oregelbundet.	Trasigt tändstift.	Montera ett nytt, korrekt elektroddgap: se BRUKSANVISNINGEN FÖR MOTORN.
	Elektroddgapet på tändstiftet är felaktigt.	Sätt gapet mellan elektroderna vid 0,7 till 0,8 mm.
	Luftrenaren är smutsig.	Rengör luftrenaren: se BRUKSANVISNINGEN FÖR MOTORN.
Motorn går dåligt på tomgång.	Luftrenaren är smutsig.	Rengör luftrenaren: se BRUKSANVISNINGEN FÖR MOTORN.
	Luftsprings i motorhöljet är blockerade.	Ta bort skräp från springorna.
	Kyflänsar och luftpassager under motorns fläkthus är blockerade.	Ta bort skräp från kyflänsarna och luftpassagera.
Motorn hackar vid hög hastighet.	Gapet mellan tändstiftets elektroder är för tätt.	Sätt gapet mellan elektroderna vid 0,7 till 0,8 mm.
Motorn överhettas.	Kylande luftflödet är begränsat.	Ta bort skräp från springorna i höljet, fläkthuset, luftpassagera.
	Felaktigt tändstift.	Montera RJ19LMC-tändstift och kyflänsar på motorn.
Gräsklipparen vibrerar onormalt.	Klippmonteringen är lös.	Dra åt kniven.
	Klippmonteringen är obalanserad.	Balansera kniven.

16. GARANTI

Denna produkt har garanti i enlighet med lagbestämmelser under en 12-månadersperiod som träder i kraft från inköpsdatum gjord av den första köparen.

Denna garanti täcker allt material- och produktionsfel. Den inkluderar inte fel från normalt slitage av delar såsom lager, borstar, kablar, kontakter eller tillbehör såsom borrar, borrbits, sågblad etc., skada eller defekt på grund av ovarsamhet, olyckor eller ändringar, inte heller kostnaderna för transport.

Vi förbehåller oss rätten att avslå krav där köpet inte kan verifieras eller när det är uppenbart att produkten inte har underhållits korrekt. (Rena ventilationssprings, regelbundet servade kolborstar.)

Din inköpsfaktura måste sparas som ett bevis på inköpsdatum.

Din icke isärmonterade maskin måste returneras till din återförsäljare i ett acceptabelt rent skick, i dess originalformtillverkade väska om enheten har en sådan, tillsammans med ditt köpbevis.

17. MILJÖ

Skulle du behöva byta ut din maskin efter långvarig användning får du inte slänga den i hushållssoporna utan avfallshantera den på ett miljövänligt sätt.

18. EU-DEKLARATION OM ÖVERENSSTÄMMELSE

(Gäller endast Europa)

Vi Makita Corporation som ansvarig tillverkare deklarerar härmed att följande maskin(er) från Makita:

Maskinbeteckning: Bensindriven gräsklippare

Modellnr./ typ: PLM5120, PLM5121

Specifikationer: Se "4. TEKNISK DATA"

ingår i serieproduktion och

uppfyller följande Europeiska direktiv:

2004/108/EU, 2006/42/EU,

2000/14/EU och 2005/88/EU

Och är tillverkade enligt följande standarder eller

standardiseringsdokument:

EN ISO 14982, EN836

Den tekniska dokumentationen förs av våra auktoriserade

representanter i Europa som är:

Makita International Europe Ltd.

Michigan Drive, Tongwell,

Milton Keynes, Bucks MK15 8JD, England

Konformitetstestgodkännandet som krävs av direktiv 2000/

14/EU, var i överensstämmelse med Annex V.

Anmält organ:

TÜV SÜD Industrie Service GmbH

Westendstraße 199, 80686 München, Tyskland

Identifikationsnummer: 0036

Modell: PLM5120

Uppmätt ljudeffektnivå: 92,3 dB (A)

Garanterad ljudeffektnivå: 98 dB (A)

Modell: PLM5121

Uppmätt ljudeffektnivå: 92,4 dB (A)

Garanterad ljudeffektnivå: 98 dB (A)

30.11.2011



Tomoyasu Kato

Direktör

Makita Corporation

3-11-8, Sumiyoshi-cho,

Anjo, Aichi, JAPAN

- | | | |
|---------------------------------|----------------------------|------------------|
| 1. Bremsekontrollhåndtak | 7. Kabelklemme | 13. Oljelokk |
| 2. Øvre håndtak | 8. Spak for høydejustering | 14. Starthåndtak |
| 3. Selvkjørende kontrollhåndtak | 9. Deksel | 15. Bolt |
| 4. Chokehendel | 10. Sideklaff | 16. Skive |
| 5. Snorføring | 11. Tennplugg | 17. Startknapp |
| 6. Sperreknapp | 12. Drivstofflokk | 18. Skrue |



ADVARSEL

For din egen sikkerhets skyld må du lese denne bruksanvisningen før du prøver å bruke den nye enheten. Hvis ikke instruksjonene blir fulgt, kan dette føre til alvorlige personskader. Ta deg litt tid til å gjøre deg kjent med gressklipperen før bruk.

1. SYMBOLENE PÅ PRODUKTET



Les bruksanvisningen.



Hold tilskuere unna.



Vær oppmerksom på hender og føtter mens maskinen er i bruk for å unngå personskader.



Drivstoffet er brannfarlig, hold åpen ild borte. Ikke fyll på drivstoff mens motoren er i gang.



Giftige gasser: Ikke bruk maskinen innendørs.



Bruk personlig verneutstyr, som vernebriller og øreplugg, mens gresset klippes.



Ved reparasjonsarbeider, fjern tennpluggen og utfør reparasjonsarbeidet i samsvar med bruksanvisningen.



Forsiktig Motoren er varm.

2. GENERELLE SIKKERHETSREGLER



ADVARSEL:Når du bruker bensindrevet verktøy, må du alltid følge de grunnleggende sikkerhetsanvisningene, inklusive anvisningene nedenfor. Dette vil redusere faren for alvorlige personskader og/eller skader på enheten. Les gjennom hele bruksanvisningen før du tar i bruk dette produktet, og oppbevar bruksanvisningen for fremtidig referanse.



ADVARSEL:Denne maskinen produserer et elektromagnetisk felt under drift. Dette feltet kan i enkelte tilfeller forstyrre aktive eller passive medisinske implantater. For å redusere risikoen for alvorlig eller livsfarlig personskade, anbefaler vi at personer med medisinske implantater forhører seg hos legen og produsenten av det medisinske implantatet før de bruker denne maskinen.

Opplæring

- Les nøye gjennom bruksanvisningen. Gjør deg kjent med kontrollene og sett deg inn i hvordan utstyret fungerer.
- La aldri barn eller personer som ikke er kjent med denne bruksanvisningen, bruke gressklipperen. Lokale bestemmelser kan omfatte aldersgrenser for bruk av utstyret.
- Bruk aldri gressklipperen mens uvedkommende (særlig barn og kjæledyr) er til stede.
- Husk at operatøren eller brukeren er ansvarlig for ulykker eller faresituasjoner som kan oppstå for andre personer eller på deres eiendom.

Forberedelser

- Bruk alltid solid føtøy og lange benklær når du bruker gressklipperen. Ikke bruk utstyret barbeint eller med åpne sandaler.
- Inspiser området hvor utstyret skal brukes grundig, og fjern alle gjenstander som kan slynges utover av maskinen.
- **ADVARSEL** - Bensen er meget brannfarlig.
 - Oppbevar drivstoffet i beholdere som er spesielt beregnet til dette formålet.

- Etterfull drivstoff kun utendørs, og ikke røyk under fylling av drivstoff.
- Fyll på drivstoff før du starter motoren. Du må aldri fjerne lokket på drivstofftanken eller fylle på bensin mens motoren er i gang eller motoren er varm.
- Hvis det søles drivstoff, må du ikke starte motoren, men flytte maskinen bort fra det tilsølte området for å unngå å skape en tennkilde før bensindampen har forsvunnet.
- Sett alle lokkene til drivstofftank og beholder godt på igjen.
- Erstatt defekte lydempere.
- Før bruk må du alltid inspisere maskinen for å sjekke at blader, bladbolter og skjæreverket ikke er slitt eller skadet. Erstatt hele settet av slitte eller skadde blader og bolter for å opprettholde balansen.

Drift

- Ikke start motoren på et innestengt område ettersom farlige karbonmonoksidgasser kan samle seg opp.
- Bruk gressklipperen bare i dagslys eller ved god kunstig belysning.
- Unngå å bruke gressklipperen i vått gress, der det lar seg gjøre.
- Pass på at du har godt fotfeste i skråninger.
- Gå, ikke løp.
- For roterende maskiner med hjul, klipp på tvers av skråninger, aldri oppover og nedover.
- Vær svært forsiktig under endring av retning i skråninger.
- Ikke klipp altfor bratte skråninger.
- Vær uhyre forsiktig når du skal rygge eller trekke gressklipperen mot deg.
- Stans bladet(bladene) hvis gressklipperen må skråstilles for transport når du må krysse andre bakkeunderlag enn gress og når du transporterer gressklipperen til og fra området hvor den skal brukes.
- Du må aldri bruke gressklipperen hvis verneklusene er defekte eller sikkerhetsinnretningene ikke er på plass, for eksempel ledeplater og/eller gressoppsamlere.
- Ikke endre innstillingene på motorens turtallsregulator, og ikke kjør motoren med for stor hastighet.
- Løsne alle inngrep for blader eller drivverk før du starter maskinen.
- Start motoren forsiktig i samsvar med instruksjonene og med føttene godt borte fra bladet/ene.
- Ikke skråstill gressklipperen mens du starter motoren.
- Ikke start motoren mens du står foran utløpsrennen.
- Ikke plasser hender eller føtter nær eller under roterende deler. Hold deg hele tiden borte fra utløpsåpningen.
- Du må aldri løfte eller bære en gressklipper mens motoren er i gang.
- Stopp motoren og kople fra tennpluggledningen, påse at alle bevegelige deler har fullstendig stoppet og, dersom maskinen er utstyrt med nøkkel, fjern nøkkelen:
 - Før du fjerner tilstopninger eller blokkeringer i rennen.
 - Før du kontrollerer, rengjør eller utfører arbeid på gressklipperen.

- Etter at du har slått borti et fremmedlegeme. Inspiser gressklipperen for skade, og reparer før du starter og bruker gressklipperen på nytt.
- Hvis gressklipperen begynner å vibrere unormalt (kontroller umiddelbart).
- Stopp motoren og kople fra tennpluggledningen, påse at alle bevegelige deler har fullstendig stoppet og, dersom maskinen er utstyrt med nøkkel, fjern nøkkelen:
 - Hver gang du forlater gressklipperen.
 - Før du etterfyller drivstoff.
- Reduser gassens innstilling mens motoren slås av og, hvis motoren er utstyrt med en stengeventil, steng drivstofftilførselen etter at klippingen er ferdig.

Vedlikehold og oppbevaring

- Hold alle mutre, bolter og skruer stramt for å sikre at utstyret er i god driftsmessig stand.
- Utstyret må aldri oppbevares innendørs med bensin i tanken, ettersom gasser kan nå en åpen flamme eller gnist.
- La motoren avkjøle seg før gressklipperen plasseres i et lukket rom.
- For å redusere brannfaren skal motoren, lydempere, batterirommet og bensinoppbevaringsområdet holdes fri for gress, løv eller overflødig fett.
- Sjekk gressoppsamlere ofte for slitasje eller skader.
- Erstatt slitte og skadde deler for å øke sikkerheten.
- Hvis drivstofftanken må tappes, skal dette gjøres utendørs.



ADVARSEL: Ikke berør rotendende blader.



ADVARSEL: Fylling av drivstoff skal kun skje i godt ventilt område med motoren avslått.

3. BESKRIVELSE AV DELER (Fig. 1A og 1B)

Inkludert

A: Tennpluggnøkkel

B: Utløpskanal

4. TEKNISKE DATA

Modell	PLM5121	PLM5120
Motortype	B&S675EX-serie, ReadyStart, 126T	B&S625E-serie, 122T
Selvkjørende	Ja	Nei
Motorvolum	190 cm ³	190 cm ³
Bladbredde	510 mm	510 mm
Nominell hastighet	2 800/min	2 800/min
Kapasitet drivstofftank	1,0 l	1,0 l
Nettvekt	31,7 kg	28 kg
Høydejustering:	25-70 mm, 5 justering	
L _{pA} (SPL) på brukerstedet (k = 3 dB (A))	79,2 dB (A)	78,9 dB (A)
Garantert lydeffektnivå L _{wA}	98 dB (A)	98 dB (A)
Vibrasjon (k = 1,5 m/s ²)	2,305 m/s ²	2,056 m/s ²

5. MONTERING

5-1 MONTERING AV FOLDEHÅNDTAKET

1. Fest de nedre håndtakstengene i enhetens hoveddel med sperreknapper som vist. (Fig. 2A, Fig. 2B, Fig. 2C, Fig. 2D)
2. Sett sammen det øvre håndtaket og det nedre håndtaket med sperreknappen. (Fig. 2E, Fig. 2F, Fig. 2G)
3. Fest kabelklemmen til vist posisjon, og fest deretter kabelen. (Fig. 2H)

6. JUSTERING AV SKJÆREHØYDEN

Pålegg trykk utover for å løsne spaken fra tannskiven. Flytt spaken frem eller tilbake for å justere høyden. Høyden (bladet til bakken) kan justeres fra 25 mm (1 posisjon: laveste posisjon) til 70 mm (5 posisjon: høyeste posisjon), 5 høydeposisjoner. (Fig. 3A, Fig. 3B). Stopp gressklipperen og kople fra tennpluggledningen før du endrer gressklipperens skjærehøyde.



ADVARSEL: Denne justeringen må kun foretas når bladet har stoppet.

7. JUSTERING FOR EN PASSENDE HØYDE (Fig. 4A, Fig. 4B)

1. Løsne sperreknappene som fester det nedre håndtaket, se Fig. 4A.
2. Se Fig. 4B for å flytte det nedre håndtaket opp eller ned, juster det til passende høyde. Du kan velge mellom 3 justeringshøyder på denne typen gressklipper, posisjon 1 er høyeste posisjon, posisjon 3 er laveste posisjon.
3. Juster til passende høyde, fest deretter det nedre håndtaket med sperreknappene.



ADVARSEL: Venstre og høyre side må være justert til samme høyde.

8. STARTHÅNDTAK (Fig. 5)

Flytt starthåndtaket fra motoren til snorføringen.

9. "2-I-1"

9-1 INNSTILLING FOR KLIPPING MED SIDEUTLØP

1. Løft sideklaffen for sideutløpet. (Fig. 6A)
2. Monter utløpsrennen for sideutløpet på støttestiften på sideklaffen. (Fig. 6A, Fig. 6B)
3. Senk sideklaffen - klaffen ligger på utløpskanalen. (Fig. 6C)



Kun mens motoren og skjæreverket står stille!

9-2 KOMPOSTERINGSKLIPPING

Hva er kompostering?

Under komposteringsklipping blir gresset klippet i et arbeidstrinn, deretter oppkuttet og ført tilbake til gressplenen som naturlig gjødsel.

Tips for komposteringsklipping:

- Gresset klippes regelmessig maks. 2 cm kortere, fra 6 cm til 4 cm gresshøyde.
- Bruk en skarp skjærekniv
- Ikke klipp vått gress
- Still inn maks. motorhastighet
- Flytt maskinen kun i arbeidstempo
- Rengjør komposteringskile, husets innside og klippebladet



ADVARSEL: Kun når motoren er stoppet og skjæreverket står stille.

1. Løft sideklaffen, og fjern utløpskanalen. (Fig. 7A, Fig. 7B)

- Sideklaffen stenger utløpsåpningen på huset automatisk ved hjelp av fjærkraft.
- Rengjør sideklaffen og utløpsåpningen regelmessig for gressrester og oppsamlet skitt.

10. DRIFTSINSTRUKSER

10-1 FØR START

Vedlikehold motoren med bensin og olje som angitt i den egne bruksanvisningen som fulgte med gressklipperen. Les nøye gjennom instruksjonene.



ADVARSEL: Bensin er meget brannfarlig.

Oppbevar drivstoffet i beholdere som er spesielt beregnet til dette formålet.

Etterfyll drivstoff kun utendørs før motoren startes, og ikke røyk mens du fyller eller håndterer drivstoff.

Du må aldri fjerne lokket på drivstofftanken eller fylle på bensin mens motoren er i gang eller motoren er varm.

Hvis det søles drivstoff, må du ikke starte motoren, men flytte maskinen bort fra det tilsløtte området for å unngå å skape en tennkilde før bensindampen har forsvunnet. Sett alle lokkene til drivstofftank og beholder godt på igjen.

Før du velter gressklipperen for å vedlikeholde bladet eller tappe olje, må drivstoffet fjernes fra tanken.



ADVARSEL: Du må aldri fylle drivstoff i tanken innendørs, mens motoren er i gang eller før motoren har fått avkjølt seg i minst 15 minutter etter drift.

10-2 STARTE MOTOREN OG KOPLE INN BLADET

1. Enheten er utstyrt med en gummihette over enden på tennpluggen. Påse at metallbøylen på enden av tennpluggledningen (inne i gummihetten) er festet sikkert over metallspissen på tennpluggen.
- 2.1. For PLM5121:

Ved start av kald eller varm motor, drei chokehendelen til en posisjon mellom "☞" og "☞☞". Ved drift, drei chokehendelen til posisjonen "☞☞". (Fig. 8B)
- 2.2. For PLM5120:

Ved kaldstart, trykk på startknappen 3-5 ganger før motoren startes. Drei chokehendelen til posisjonen "☞☞".

Ved varmstart og drift, drei chokehendelen til posisjonen "☞☞". (Fig. 8A, Fig. 8B)
3. Stå bak maskinen, grip tak i bremsekontrollhåndtaket og hold det mot det øvre håndtaket som vist i Fig. 8C.
4. Grip tak i starthåndtaket som vist i Fig. 8C, og trekk det raskt opp. Returner det langsomt til snorføringskruen når motoren har startet. Slipp bremsekontrollhåndtaket for å stoppe motoren og bladet. (Fig. 8D)



Start motoren forsiktig i samsvar med instruksjonene og med føttene godt borte fra bladet.



Ikke skråstill gressklipperen mens du starter motoren. Start gressklipperen på et jevnt underlag, fritt for høyt gress eller hindringer.



Hold hendene og føttene borte fra roterende deler. Ikke start motoren mens du står foran utløpsåpningen.

10-3 DRIFTSPROSEDYRER

Hold bremsehåndtaket godt fast med begge hender under drift.



MERK: Under drift vil motoren stoppe når du slipper bremsehåndtaket, slik at gressklipperen stopper.

10-4 STOPPE MOTOREN



FORSIKTIG: Bladet fortsetter å rotere et par sekunder etter at motoren er slått av.

1. Slipp bremsekontrollhåndtaket for å stoppe motoren og bladet.
2. Kople fra og jorde tennpluggledningen som angitt i motorens separate bruksanvisning for å forhindre at motoren kan starte i vanvare mens den er uten tilsyn.

10-5 TILKOPLING FOR AUTOMATISK KJØRING

For PLM5121

Grip tak i det selvkjørende kontrollhåndtaket, gressklipperen vil kjøre forover automatisk med ca. 3,6 km/t (Fig. 9), slipp det selvkjørende håndtaket, og gressklipperen vil stoppe kjøringen.



FORSIKTIG: Gressklipperen er utformet for å klippe normal hageplen med en maksimal gresshøyde på 250 mm.

Ikke forsøk å klippe gjennom uvanlig høyt, vått eller tørt gress (f.eks. beite) eller hauger med tørt løv. Det kan danne seg rester under gressklipperens deksel eller tilstoppe motorens eksossystem og forårsake brannfare.

10-6 FOR BEST MULIG RESULTAT UNDER KLIPPING

Rens plenen for hagerusk. Forsikre deg om at plenen er fri for steiner, greiner, ledninger eller andre fremmedlegemer, som kan bli slynget tilfeldig utover av gressklipperen i alle retninger og forårsake alvorlige personskader for brukeren og andre eller skader på eiendom eller gjenstander i omgivelsene. Ikke klipp vått gress. For effektiv klipping, ikke klipp vått gress, fordi det har en tendens til å feste seg på undersiden av dekeleat og forhindre at gresset klippes skikkelig. Ikke klipp mer enn 1/3 av gressets lengde. Anbefalt skjærehøyde ved gressklipping er 1/3 av gressets lengde.

Opphakkingshastigheten må justeres, slik at avklippet kan fordeles jevnt ned i plenen. For særlig tung klipping i tykt gress kan det være nødvendig å bruke en av de langsomste hastighetene for å få en ren, godt formet klipping. Når du klipper høyt gress, kan det hende at du må klippe plenen i to omganger og senke bladet ytterligere 1/3 av lengden for den andre klippingen og kanskje klippe i et annet mønster enn det du brukte i den første omgangen. Det er også lurt å overlape klippingen i hver omgang for å få med eventuell ujevn klipping som står igjen på plenen. Gressklipperen bør alltid drives med full gass for å få det beste klipperesultatet og for at maskinen skal kunne gi full klippeeffekt. Rengjør dekselets underside. Påse at du rengjør undersiden av dekselet på gressklipperen etter hver gangs bruk for å unngå å gresset samler seg opp, for dette forhindrer skikkelig kompostering. Klippe blader og løv. Plenen din kan også ha godt av at du klipper løvet. Når du klipper løv, må du påse at løvet er tørt og ikke ligger for tykt på plenen. Ikke vent til alle bladene har falt av trærne før du klipper dem.



ADVARSEL: Hvis du støter borti et fremmedlegeme, stopp motoren. Fjern ledningen fra tennpluggen, undersøk gressklipperen grundig for eventuelle skader, og reparer skaden før du starter og bruker gressklipperen igjen. Økt vibrasjon i gressklipperen under drift er et tegn på skade. Da må maskinen øyeblikkelig inspiseres og repareres.

10-7 DEKSEL

Undersiden av dekselet på gressklipperen bør rengjøres etter hver gangs bruk for å forhindre at gressrester, løv, skitt eller annen materie kan samle seg opp. Hvis dette får samle seg opp, vil det føre til rust og korrosjon og kan forhindre skikkelig komposteringsklipping. For å rengjøre under dekselet, vipp gressklipperen over på siden, og skrap undersiden av dekselet rent med et passende verktøy (forsikre deg om at tennpluggledningen er koplet fra).

11. VEDLIKEHOLDSINSTRUKSJONER

TENNPLUGG

Bruk kun original reservedelstennplugg. For best resultat, skift ut tennpluggen etter hver 100. driftstime.

12. SMØREINSTRUKSJONER



FORSIKTIG: KOPLE FRA TENNPLUGGEN FØR VEDLIKEHOLD.

1. HJUL - Smør kulelagrene i hvert hjul med en lett olje minst en gang i sesongen.
2. MOTOR - Følg angivelsene i motorens bruksanvisning for smøring.
3. BLADKONTROLL - Smør leddpunktene på bladets kontrollhåndtak og bremsekabelen med en lett olje minst en gang i sesongen. Bladkontrollen skal kunne bevege seg fritt i begge retninger.

13. RENGJØRING



FORSIKTIG: Ikke bruk vannsprut på motoren. Vannet kan skade motoren eller forurense drivstoffsystemet.

1. Tørk av dekselet med en tørr klut.
2. Sprut vann under dekselet når gressklipperen er skråstilt, slik at tennpluggen vender opp.

13-1 MOTORENS LUFTFILTER



FORSIKTIG: Ikke la skitt eller støv tilstoppe luftfilterets skumelement. Motorens luftfilterelement må vedlikeholdes (rengjøres) etter 25 timers normal gressklipping. Skumelementet må vedlikeholdes regelmessig hvis gressklipperen har vært brukt under tørre, støvede betingelser. (Se MOTORENS BRUKSANVISNING)

RENGJØRE LUFTFILTER

1. Fjern skruen. (Fig. 10A, Fig. 10B)

2. Fjern dekselet.

3. Vask filterelementet i såpevann. **IKKE BRUK BENSIN!**

4. La tørrfilterelementet lufttørke.

5. Påfør et par dråper SAE30-olje på skumfilteret, og press det godt sammen for å fjerne overflødig olje.

6. Sett filteret på plass igjen.



MERK: Skift filteret dersom det er slitt, opprevet, skadet eller ikke lar seg rengjøre.

13-2 SKJÆREBLAD



FORSIKTIG: Pass på at du kople fra og jorder tennpluggledningen før du arbeider på skjærebladet for å unngå at motoren starter i vanvare. Beskytt hendene med kraftige hansker eller en klut når du griper tak i skjærebladene. Vipp gressklipperen over på siden som spesifisert i egen bruksanvisning for motoren. Fjern sekskantskruen og skiven som holder bladet og bladadapteren til motorens veivaksel. Fjern bladet og adapteren fra veivakselen.



ADVARSEL: Inspiser bladadapteren regelmessig for sprekker, spesielt hvis du støter på et fremmedlegeme. Skift ut hvis nødvendig. For best resultat bør bladet være skarpt. Bladet kan vedlikeholdes ved at du fjerner det og enten sliper eller filer skjæreeggen så nært den originale eggen som mulig. Det er uhyre viktig at hver skjæreegg slipes like mye for å hindre at bladet blir ubalansert. Uriktig bladbalanse fører til overdreven vibrasjon, som kan forårsake skade på motoren og gressklipperen. Pass godt på at du balanserer bladet etter sliping. Bladet kan testes for balanse ved å balansere det på en skuttrekker med rundt skaft. Fjern metall fra den tunge siden, til det balanseres jevnt. Før bladet og bladadapteren monteres igjen på maskinen, smør motorens veivaksel og bladadapterens innvendige

flater med en lett olje. Monter bladadapteren på motorens veivaksel. Se **Fig. 11**. Plasser bladet med delenummeret vendt bort fra adapteren. Innrett skiven over bladet, og sett inn sekskantskruen. Stram sekskantskruen til det tiltrekkingsmomentet som er opplistet nedenfor:

13-3 TILTREKINGSMOMENT FOR MONTERING AV BLAD

Senterskrue 40Nm - 50Nm, for å sikre trygg drift av maskinen. ALLE mutre og skruer må kontrolleres regelmessig for korrekt stramming.

Etter lengre tids bruk, særlig i betingelser med mye sand, blir bladet slitt og mister litt av sin opprinnelige form.

Klippingen blir mindre effektiv, og bladet bør skiftes. Bruk kun et nytt blad av godkjent fabrikk ved utskifting.

Produsenten overtar intet ansvar for mulige skader som skyldes forhold som ubalansert blad.

Når du skifter bladet, må du kun bruke original type, merket på bladet (MAKITA 263001826) (for bestilling av blad, kontakt din lokale forhandler eller ring til vårt selskap).



ADVARSEL: Ikke berør rotendende blader.

13-4 MOTOREN

Les motorens egne bruksanvisning for instruksjoner om vedlikehold av motoren.

Etterfyll motorolje som angitt i motorens egne bruksanvisning som fulgte med gressklipperen din. Les og følg instruksjonene nøye.

Vedlikehold luftfilteret under normale betingelser ifølge motorens bruksanvisning.

Rengjør det etter et par timers drift ved ekstremt støvede betingelser. Dårlig motorytelse og overoppfylling er som regel et tegn på at luftfilteret bør vedlikeholdes.

Les i motorens egne bruksanvisning som fulgte med maskinen angående vedlikehold av luftfilteret.

Tennpluggen bør rengjøres og åpningen tilbakestilles en gang i sesongen. Det anbefales å skifte tennplugg ved innledningen til hver klippesesong. Se etter i motorens bruksanvisning for spesifikasjoner om korrekt pluggtype og åpning.

Rengjør motoren regelmessig med en klut eller børste. Hold kjølesystemet (området rundt viftehuset) rent for å tillate skikkelig luftsirkulasjon, som er avgjørende for motorens ytelse og levetid. Påse at du fjerner alt gress, skitt og sotavleiringer fra lydtemperområdet.

14. OPPBEVARINGSINSTRUKSJONER (UTENOM SESONG)

Følgende tiltak bør iverksettes for å klargjøre gressklipperen for oppbevaring.

1. Tøm tanken etter sesongens siste gangs klipping.
 - a) Tøm bensintanken med en sugepumpe.



FORSIKTIG: Ikke tapp ut bensinen i lukket rom, i nærheten av åpen ild osv. Ikke røyk! Bensingasser kan forårsake eksplosjon eller brann.

- b) Start motoren og la den kjøre til den har brukt opp all gjenværende bensin og stopper.

- c) Ta ut tennpluggen. Bruk en oljekanne for å fylle ca. 20 ml olje i forbrenningskammeret. Aktiver starteren for å fordele oljen jevnt i forbrenningskammeret. Sett tennpluggen inn igjen.
2. Rengjør og smør gressklipperen grundig som beskrevet over under "Smøring".
3. Smør skjæreverket lett for å unngå korrosjon.
4. Oppbevar gressklipperen på et tørt, rent og frostbeskyttet sted, utenfor rekkevidde av ikke-autoriserte personer.



FORSIKTIG: Motoren må være fullstendig avkjølt før gressklipperen settes til oppbevaring.



MERK:

- Når du skal lagre et kraftdrevet utstyr i en redskapsbod eller på et sted uten ventilasjon, må du sørge for å beskytte utstyret mot rust. Påfør et tynt lag med silikon eller en lett olje på utstyret, særlig på kabler og alle bevegelige deler.
- Vær forsiktig så du ikke legger kablene i klem eller knekker dem.
- Hvis startsnoren koples fra snorføringen på håndtaket, må du kople fra og jorde tennpluggledningen, trykke ned bladkontrollhåndtaket og trekke startsnoren langsomt ut av motoren. Før startsnoren inn i snorføringsskruen på håndtaket.

Transport

Slå av motoren. Vær forsiktig så du ikke bøyer eller skader skjæreverket når du skyver gressklipperen over hindringer.

15. FEILSØKING

PROBLEM	MULIG ÅRSAK	KORRIGERENDE TILTAK
Motoren starter ikke.	Gasshendelen er ikke i korrekt posisjon for de rådende forholdene.	Flytt gasshendelen til korrekt posisjon.
	Drivstofftanken er tom.	Fyll tanken med drivstoff: se MOTORENS BRUKSANVISNING.
	Luffilterelementet er skittent.	Rengjør luffilterelementet: se MOTORENS BRUKSANVISNING.
	Tennplugg løs.	Stram tennpluggen til 25-30 Nm.
	Tennpluggledningen løs eller ikke koplet til pluggen.	Kople tennpluggledningen på tennpluggen.
	Tennpluggåpningen feil.	Still inn åpningen mellom elektrodene på mellom 0,7 og 0,8 mm.
	Tennpluggen er defekt.	Sett i en ny tennplugg med korrekt åpning: se MOTORENS BRUKSANVISNING.
	Forgasseren er overfylt av drivstoff.	Fjern luffilterelementet og trekk i startsnoren hele tiden til forgasseren tømmer seg, og monter luffilterelementet igjen.
	Feil i tenningsmodul.	Kontakt serviceverksted.
Motoren vanskelig å starte eller taper kraft.	Skitt, vann eller gammelt drivstoff i tanken.	Tapp ut tanken og rengjør den. Fyll tanken med rent, nytt drivstoff.
	Ventilasjonshullet i drivstofftanken er tilstoppet.	Rengjør eller skift ut lokket på drivstofftanken.
	Luffilterelementet er skittent.	Rengjør luffilterelementet.
Motoren går uregelmessig.	Tennpluggen er defekt.	Sett i en ny tennplugg med korrekt åpning: se MOTORENS BRUKSANVISNING.
	Tennpluggåpningen feil.	Still inn åpningen mellom elektrodene på mellom 0,7 og 0,8 mm.
	Luffilterelementet er skittent.	Rengjør luffilterelementet: se MOTORENS BRUKSANVISNING.
Ujevn tomgang.	Luffilterelementet er skittent.	Rengjør luffilterelementet: se MOTORENS BRUKSANVISNING.
	Luftåpningene i motordekselet er blokkert.	Fjern skitt fra åpningene.
	Kjøleribbene og luftinnløpet under motorens viftehus er blokkert.	Fjern skitt fra kjøleribbene og luftinnløpene.
Motoren hopper over takt ved høy hastighet.	Åpningen mellom elektrodene på tennpluggen er for stor.	Still inn åpningen mellom elektrodene på mellom 0,7 og 0,8 mm.
Motoren overopppvarmes.	Kjøleluftstrømmen blokkert.	Fjern all skitt fra åpningene i deksel, viftehus, luftinnløp.
	Ikke korrekt tennplugg.	Monter RJ19LMC-tennplugg og kjøleribber på motoren.
Gressklipperen vibrerer abnormt.	Skjæreverket er løst.	Stram bladet.
	Skjæreverket er ikke i balanse.	Balanser bladet.

16. GARANTI

Dette produktet har en lovbestemt 12 måneders garantiperiode, som starter ved den datoen produktet ble kjøpt av den første kjøperen.

Denne garantien dekker alle materialfeil og produksjonsfeil, den omfatter ikke defekter som skyldes normal slitasje, heller ikke slitasjedeler, som f.eks. lagre, børster, kabler, plugger eller tilbehør, som driller, drillbiter, sagblader osv. eller skader eller feil som skyldes feil bruk, ulykker eller endringer, heller ikke kostnader for transport. Vi forbeholder oss retten til å avvise alle krav i tilfeller hvor kjøpet ikke kan verifiseres eller når det er klart at

produktet ikke er blitt vedlikeholdt korrekt (ventilasjonsåpninger rengjort, karbonbørster vedlikeholdt regelmessig).

Oppbevar kjøpskvitteringen som bevis for kjøpsdatoen. Returner hele verktøyet uten å demontere det til forhandleren din i akseptabelt rengjort stand og i den originale forblåste emballasjen hvis mulig, husk å legge ved kjøpsbeviset.

17. MILJØET

Når maskinens levetid er over og den skal vrakes, skal den ikke kastes sammen med vanlig husholdningsavfall, men skal avfallsbehandles på en miljø sikker måte.

18. EF-SAMSVARSERKLÆRING

(Gjelder bare for land i Europa)

Som ansvarlig produsent, erklærer vi, Makita Corporation, at følgende Makita-maskin(er):

Maskinbetegnelse: Bensindrevet gressklipper

Modellnr./type: PLM5120, PLM5121

Spesifikasjoner: se "4. TEKNISKE DATA"

er serieprodusert og

i samsvar med følgende EU-direktiver:

2004/108/EF, 2006/42/EF,

2000/14/EF og 2005/88/EF

og er produsert i henhold til følgende standarder eller standardiserte dokumenter:

EN ISO 14982, EN 836

Den tekniske dokumentasjonen oppbevares av vår autoriserte representant i Europa, som er:

Makita International Europe Ltd.

Michigan Drive, Tongwell,

Milton Keynes, Bucks MK15 8JD, England

Samsvarsvurderingen som er påkrevd i henhold til direktiv 2000/14/EF, ble utført i samsvar med vedlegg V.

Teknisk kontrollorgan:

TÜV SÜD Industrie Service GmbH

Westendstraße 199, 80686 München, Tyskland

Identifikasjonsnummer: 0036

Modell: PLM5120

Målt lydeffektnivå: 92,3 dB (A)

Garantert lydeffektnivå: 98 dB (A)

Modell: PLM5121

Målt lydeffektnivå: 92,4 dB (A)

Garantert lydeffektnivå: 98 dB (A)

30.11.2011



Tomoyasu Kato

Direktør

Makita Corporation

3-11-8, Sumiyoshi-cho,

Anjo, Aichi, JAPAN

- | | | |
|-------------------------|------------------------------|------------------------|
| 1. Jarrukahva | 7. Johdon pidin | 13. Öljysäiliön korkki |
| 2. Yläkahva | 8. Korkeudensääätökahva | 14. Käynnistinkahva |
| 3. Itsevedon säätökahva | 9. Kotelo | 15. Pultti |
| 4. Kuristinvipu | 10. Sivupoistoaukon läppä | 16. Aluslevy |
| 5. Naruohjain | 11. Syytystulppa | 17. Rikastinpainike |
| 6. Lukitusnappi | 12. Polttoainesäiliön korkki | 18. Ruuvi |

**VAROITUS:**

Luo tämä opas oman turvallisuutesi vuoksi ennen uuden laitteen käyttämistä. Ohjeiden noudattamatta jättämisestä voi aiheutua vakava vamma. Kertaa ruohonleikkurin käyttö ennen kutakin käyttökertaa.



Huomio: Moottori on kuuma.

1. TUOTTEeseen MERKITYY SYMBOLIT

Lue käyttöopas.



Pidä sivulliset loitolla.



Varo, ettei kätesi tai jalkasi joudu vaaraan.



Polttoaine on herkästi syttyvää. Pidä se poissa avotulen läheisyydestä. Älä lisää polttoainetta koneen käydessä.



Myrkyllisiä höyryjä. Älä käytä sisätiloissa.



Käytä ruohonleikkuun aikana suojalaseja ja korvatulppia.



Irrota korjattaessa syytystulppa ja toimi käyttöoppaan ohjeiden mukaisesti.

2. YLEISIÄ TURVAOHJEITA**VAROITUS:** Bensiinikäyttöisiä työkaluja

käytettäessä on vakavan henkilövahingon ja laitteen vioittumisen välttämiseksi aina huolehdittava muun muassa seuraavista perusvaroitomisista. Lue nämä ohjeet kokonaisuudessaan, ennen kuin käytät tuotetta, ja säilytä ne tulevaa tarvetta varten.

**VAROITUS:** Tämä laite tuottaa toimiessaan

sähkömagneettisen kentän. Tämä kenttä voi tietyissä oloissa häiritä aktiivisia tai passiivisia lääketieteellisiä apuvälineitä. Vakavan vammautumisen tai jopa kuoleman vaaran takia suosittelemme, että tällaisia apuvälineitä käyttävät henkilöt varmistavat ennen tämän laitteen käyttämistä lääkäriltään tai apuvälineensä valmistajalta, että laitteen käyttäminen on turvallista.

Käyttöön perehtyminen

- Lue ohjeet huolellisesti. Perehdy laitteen säätimiin ja asianmukaiseen käyttöön.
- Älä anna lasten tai näihin ohjeisiin perehtymättömien henkilöiden käyttää ruohonleikkuria. Paikallisissa määräyksissä saatetaan asettaa laitteen käytölle vähimmäisikäraja.
- Ruohonleikkuria ei saa koskaan käyttää, kun lähistöllä on muita henkilöitä (etenkin lapsia) ja lemmikkieläimiä.
- Muista, että käyttäjä vastaa tapaturmista tai vahingoista, jotka hän aiheuttaa muille ihmisille tai heidän omaisuudelleen.

Valmistelutoimet

- Käytä ruohoa leikatessasi aikana aina tukevia jalkineita ja pitkiä housuja. Älä käytä laitetta paljain jaloin tai avosandaalit jalassa.
- Tutki leikattava alue huolellisesti ja poista kaikki sellaiset esineet ja kappaleet, jotka voivat sinkoutua ruohonleikkurista.
- VAROITUS – Bensiini on erittäin helposti syttyvää.
 - Säilytä polttoaine tarkoitukseen suunnitelluissa astioissa.
 - Tankkaa aina ulkoilmassa äläkä tupakoi tankkauksen aikana.

- Lisää polttoainetta ennen moottorin käynnistämistä. Älä koskaan avaa polttoainesäiliön korkkia tai lisää polttoainetta, kun moottori käy tai on vielä kuuma.
- Jos bensiiniä läikky, älä yritä käynnistää moottoria vaan siirrä kone pois läikkymisalueelta ja vältä syttymislähteiden tuomista sen lähistölle, kunnes bensiinihöyryt ovat haihtuneet.
- Sulje polttoainesäiliöiden ja -astioiden korkit huolellisesti.
- Vaihda vioittuneet äänenvaimentimet.
- Tarkista ennen käyttöä silmämääräisesti, että terät, terien pultit ja leikkauyksikkö eivät ole kuluneet tai vaurioituneet. Vaihda kaikki vioittuneet tai kuluneet terät ja ruuvit yhdellä kertaa.

Käyttö

- Älä käytä moottoria suljetussa tilassa, johon voi kertyä vaarallisia häikäsuja.
- Leikkaa vain päivänvalossa tai kirkaassa keinovalossa.
- Vältä määrän nurmikon leikkaamista mahdollisuuksien mukaan.
- Varmista aina tukeva jalansija, kun leikkaat nurmikkoa rinteessä.
- Kävele, älä juokse.
- Leikkaa nurmikko rinteessä aina poikittaissuuntaan, älä koskaan ylös ja alas.
- Ole erityisen varovainen vaihtaessasi suuntaa rinteessä.
- Älä leikkaa nurmikkoa liian jyrkissä rinteissä.
- Ole erityisen varovainen kääntäessäsi tai vetäessäsi ruohonleikkuria itseäsi kohti.
- Pysäytä terä(t), jos ruohonleikkuria on tarpeen kallistaa ruohottomia alueita ylittettäessä, sekä silloin, kun siirrä sitä leikkattavalle nurmialueelle ja takaisin.
- Älä koskaan käytä ruohonleikkuria, jos suojuukset ovat vioittuneet tai turvalaitteet, kuten kivisuojat ja/tai ruohonkeräimet, eivät ole paikallaan.
- Älä muuta moottorin nopeudensäätimen asetuksia tai käytä moottoria ylikierroksilla.
- Vapauta kaikki terät ja käyttökytkimet ennen moottorin käynnistystä.
- Käynnistä moottori varovaisuutta noudattaen ja ohjeiden mukaisesti ja pidä jalkasi poissa terien ulottuvilta.
- Älä kallista ruohonleikkuria moottoria käynnistäessäsi.
- Älä käynnistä moottoria seisossasi poistokourun edessä.
- Älä pane käsiäsi tai jalkojasi pyörivien osien alle tai lähelle. Jätä poistoaukko aina esteettömäksi.
- Älä nosta tai kuljeta ruohonleikkuria moottorin käydessä.
- Pysäytä moottori ja irrota sytytystulpan johto, varmista, että kaikki liikkuvat osat ovat täysin pysähtyneet ja irrota mahdollinen avain seuraavissa tilanteissa:
 - Ennen tukkeumien selvittämistä tai kourun puhdistamista.
 - Ennen ruohonleikkurin tarkastamista, puhdistamista tai kunnossapitoa.
 - Koneen osuttua vierasesineeseen. Tarkasta ruohonleikkuri vaurioiden varalta ja korjaa mahdolliset viat, ennen kuin käynnistät sen uudelleen.

- Jos ruohonleikkuri alkaa täristä epänormaalisti (tutki heti tämän syy).
- Pysäytä moottori ja irrota sytytystulpan johto, varmista, että kaikki liikkuvat osat ovat täysin pysähtyneet ja irrota mahdollinen avain seuraavissa tilanteissa:
 - Aina, kun poistut ruohonleikkurin luota.
 - Ennen tankkausta.
- Pienennä kaasua moottoria sammuttaessasi. Jos moottorissa on sulkuventtiili, sulje polttoaineen syöttö, kun lopetat leikkaamisen.

Kunnossapito ja säilytys

- Varmista leikkurin käyttöturvallinen kunto tarkistamalla, että kaikki mutterit, pultit ja ruuvit ovat tiukasti kiinni.
- Jos polttoainesäiliössä on polttoainetta, älä säilytä ruohonleikkuria tilassa, jossa höyryt voivat joutua kosketukseen avotulen tai kipinöiden kanssa.
- Anna moottorin jäähtyä, ennen kuin siirrä ruohonleikkurin suljettuun varastoon.
- Vähentääksesi tulipalon vaaraa pidä moottori, äänenvaimennin, akkutila ja polttoaineen säilytysalue puhtaana ruohosta, lehdistä ja ylimääräisestä rasvasta.
- Tarkasta ruohonkeräin säännöllisesti kulumisen ja vaurioiden varalta.
- Vaihda kuluneet tai vioittuneet osat turvallisuussyistä.
- Jos polttoainesäiliö on tarpeen tyhjentää, tee se ulkona.



VAROITUS: Älä koske pyörivään terään.



VAROITUS: Tankkaa hyvin tuuletetussa tilassa moottorin ollessa sammutettuna.

3. OSIEN KUVAUS (kuvat 1A ja 1B)

Mukaan lukien

- A: Sytytystulppa-avain
- B: Poistoaukon ohjain

4. TEKNISET TIEDOT

Malli	PLM5121	PLM5120
Moottorin tyyppi	B&S675EX-sarja, ReadyStart, 126T	B&S625E-sarja, 122T
Itsevetävä	Kyllä	Ei
Moottorin tilavuus	190 cm ³	190 cm ³
Terän leveys	510 mm	510 mm
Nimellisnopeus	2 800/min	2 800/min
Polttoainesäiliön tilavuus	1,0 L	1,0 L
Nettopaino	31,7 kg	28 kg
Korkeuden säätö:	25–70 mm, 5 säätöä	
L _{pA} (SPL) käyttäjän tasolla (k = 3 dB (A))	79,2 dB (A)	78,9 dB (A)
Taattu äänitehotaso L _{WA}	98 dB (A)	98 dB (A)
Tärinä (k = 1,5 m/s ²)	2,305 m/s ²	2,056 m/s ²

5. KOKOAMINEN

5-1 TAITTUVAN KAHVAN KIINNITTÄMINEN

- Kiinnitä alemmat käsikahvat lukitusnupeilla laitteen runkoon kuvassa esitetyllä tavalla (**kuva 2A**, **kuva 2B**, **kuva 2C**, **kuva 2D**).
- Kytke ylempi ja alempi kahva toisiinsa lukitusnupin avulla (**kuva 2E**, **kuva 2F**, **kuva 2G**).
- Kiinnitä johdon pidin kuvassa näkyvään kohtaan ja kiinnitä sitten johto (**kuva 2H**).

6. LEIKKAUSKORKEUDEN SÄÄTÄMINEN

Paina vipu irti säätölovesta. Säädä korkeutta siirtämällä vipua eteen- tai taaksepäin.

Korkeutta (terän etäisyyttä maanpinnasta) voi säätää viiteen eri asentoon välillä 25 mm (asento 1, matalin asento) – 70 mm (asento 5, korkein asento) (**kuva 3A**, **kuva 3B**).

Pysäytä moottori ja irrota sytytystulpan johto ennen leikkauskorkeuden muuttamista.



VAROITUS: Säädä korkeutta vasta sitten, kun terä on pysähtynyt.

7. OIKEAN KORKEUDEN SÄÄTÄMINEN (kuva 4A, kuva 4B)

- Löysää alempaa kahvaa paikallaan pitävää lukitusnuppia (**kuva 4A**).
- Siirrä alempaa kahvaa pystysuunnassa, kunnes korkeus on sopiva (**kuva 4B**).
Tässä ruohonleikkurityypissä on valittavissa kolme eri korkeussäädön asentoa: asento 1 on korkein, asento 3 matalin.
- Säädä korkeus sopivaksi ja kiinnitä alempi kahva sitten paikalleen lukitusnuppien avulla.



VAROITUS: Alemman kahvan vasen ja oikea puoli pitää säätää samaan korkeuteen.

8. KÄYNNISTINKAHVA (kuva 5)

Siirrä käynnistinkahva moottorista naruohjaimen

9. ”2 IN 1”

9-1 SIVUPOISTOAUKON KÄYTTÖÖNOTTO

- Nosta sivupoistoaukon läppä. (**kuva 6A**)
- Kiinnitä sivupoisto-ohjain sivupoistoaukon läpässä olevaan kiinnitystappiin. (**kuva 6A**, **kuva 6B**).
- Laske sivupoistoaukon läppä alas. Läppä makaa poistoaukon ohjaimen päällä. (**kuva 6C**)



Moottorin ja leikkuuterän pitää olla pysähtynyt!

9-2 SILPPUAVA RUOHONLEIKKURI

Mitä silppuaminen tarkoittaa?

Silppuaminen tai bioleikkaus tarkoittaa, että leikattu ruoho hienonnetaan silpuksi, joka palautetaan takaisin nurmikolle luonnonmukaiseksi ravinteeksi.

Vihjeitä silppuamiseen:

- Leikkaa kerrallaan enintään 2 cm, ruohon korkeudesta 6 cm korkeuteen 4 cm.
- Käytä terävää leikkuuterää.
- Älä leikkaa märkää nurmikkoa.
- Käytä moottorin suurinta käyntinopeutta.
- Etene normaalilla työskentelynopeudella.
- Puhdista silppuamiskilla, kotolon sisäpuoli ja leikkuuterä säännöllisin väliajoin



VAROITUS: Moottorin pitää olla sammutettuna ja leikkuuterän pysähtyneenä.

- Nosta sivupoistoaukon läppä ylös ja irrota poistoaukon ohjain. (**kuva 7A**, **kuva 7B**).

- Jousikuormittainen sivupoistoaukon läppä sulkee poistoaukon automaattisesti.
- Puhdista sivupoistoaukon läppä ja sivupoistoaukko säännöllisesti ruohojäämistä ja kurasta.

10. KÄYTTÖ

10-1 ENNEN KÄYNNISTYSTÄ

Lisää polttoainetta ja öljyä ruohonleikkurin mukana toimitettavan erillisen moottorioppaan ohjeiden mukaisesti. Lue ohjeet huolellisesti.



VAROITUS: Bensiini on erittäin helposti syttyvää.

Sääilytä polttoaine tarkoitukseen suunnitelluissa astioissa. Tankkaa aina ulkoilmassa ennen moottorin käynnistämistä äläkä tupakoi tankkauksen tai polttoaineen käsittelyn aikana.

Älä koskaan avaa polttoainesäiliön korkkia tai lisää polttoainetta, kun moottori käy tai on vielä kuuma. Jos bensiiniä läikky, älä yritä käynnistää moottoria vaan siirrä kone pois läikymisalueelta ja vältä syttymislähteiden tuomista sen lähistölle, kunnes bensiinihöyryt ovat haihtuneet.

Sulje polttoainesäiliöiden ja -astioiden korkit huolellisesti. Tyhjennä polttoainesäiliö, ennen kuin kallistat ruohonleikkuria terän huoltoon tai öljynvaihtoa varten.



VAROITUS: Älä koskaan täytä polttoainesäiliötä sisätiloissa, jos moottori käy tai ei ole käytön jälkeen jäähtynyt ainakin 15 minuutin ajan.

10-2 MOOTTORIN KÄYNNISTÄMINEN JA TERÄN KYTKEMINEN TOIMINTAAN

- Sytytystulpan päässä on kuminen hattuu. Varmista, että sytytystulpan johdon päässä (kumihatun sisällä) oleva metallilenkki on tukevasti kiinni sytytystulpan metallikärjessä.
- 2.1. PLM5121: Kun käynnistät kylmän tai kuuman moottorin, käännä kuristin-kaasuvipu johonkin kohtaan symbolien "☁" ja "☁" välillä. Kun käytät laitetta, siirrä kuristin-kaasuvipu symbolin "☁" kohdalle. **(kuva 8B).**
- 2.2. PLM5120: Kun käynnistät kylmän moottorin, paina rikastinnuppia 3–5 kertaa ennen moottorin rikastinpainiketta ja käännä kuristin-kaasuvipu symbolin "☁" kohdalle. Käännä kuristin-kaasuvipu asentoon "☁" lämmennyt moottoria käynnistettäessä ja käytön aikana. **(kuva 8A, kuva 8B).**
3. Seiso ruohonleikkurin takana, tartu jarrukahvaan ja purista sitä yläkahvaa vasten **kuvassa 8C** esitetyllä tavalla.
4. Tartu käynnistinkahvaan **kuvassa 8C** esitetyllä tavalla ja vedä sitä voimakkaasti ylöspäin. Palauta se hitaasti naruohjaimen moottorin käynnistettyä. Vapauta jarrukahva, kun haluat pysäyttää moottorin ja terän. **(kuva 8D).**



Käynnistä moottori varovaisuutta noudattaen ja ohjeiden mukaisesti ja pidä jalkasi poissa terän ulottuvilta.



Älä kallista ruohonleikkuria moottoria käynnistätessäsi. Käynnistä ruohonleikkuri tasaisella alustalla, jossa ei ole korkeaa ruohoa tai muita esteitä.



Pidä kädet ja jalat loitolla pyörivistä osista. Älä käynnistä moottoria seisossasi poistokourun edessä.

10-3 LAITTEEN KÄYTTÄMINEN

Purista jarrukahvaa käytön aikana tiukasti molemmin käsin.



HUOMAUTUS: Kun jarrukahva vapautetaan käytön aikana, moottori pysähtyy, mikä keskeyttää ruohonleikkurin käytön.

10-4 MOOTTORIN PYSÄYTTÄMINEN



HUOMIO: Terä jatkaa pyörimistä muutaman sekunnin ajan moottorin pysäyttämisen jälkeen.

- Vapauta jarrukahva, kun haluat pysäyttää moottorin ja terän.
- Irrota ja maadoita sytytystulpan johto erillisessä moottorioppaassa annettujen ohjeiden mukaisesti, jotta ruohonleikkuri ei pääse käynnistymään vahingossa, kun se jätetään ilman valvontaa.

10-5 AUTOMAATTIAJON LIITÄNTÄ

PLM5121:

Kun puristat itsevedon säätökahvaa, ruohonleikkuri liikkuu eteenpäin noin 3,6 km/s **(kuva 9)**. Ruohonleikkurin liike pysähtyy, kun vapautat itsevedon kahvan.



HUOMIO: Tämä ruohonleikkuri on suunniteltu normaalin, korkeintaan 250 mm:n korkuisen nurmikon leikkuuseen. Älä yritä leikata normaalia pitempää mäkää tai kuivaa ruohoa (esim. laidunta) tai kuivia lehtikasvoja. Leikkuujäte voi kerääntyä ruohonleikkurin koteloon tai joutua kosketuksiin pakoputken kanssa, josta aiheutuu tulipalovaara.

10-6 OHJEITA RUOHON LEIKKAAMISEEN

Poista irtoroskat nurmikolta. Varmista, että nurmikolla ei ole kiviä, oksia, johtoja ja muita vierasesineitä, jotka voivat vahingossa sinkoutua ruohonleikkurista mihin tahansa suuntaan ja aiheuttaa vakavan henkilö- tai omaisuusvahingon. Älä leikkaa mäkää nurmikkoa. Jos ruoho on mäkää, se tarttuu helposti kotelon alle ja estää ruohon tehokkaan leikkaamisen. Leikkaa enintään kolmasosa nurmikon pituudesta. Suositeltu leikkauskorkeus on enintään kolmasosa nurmikon pituudesta. Nopeutta on tarpeen säätää siten, että silputtu ruoho leviää tasaisesti nurmikolle. Jos ruoho on hyvin

paksua, voi olla tarpeen käyttää alhaista nopeutta, jotta leikkausjälki on siisti. Pitkää nurmikkoa leikattaessa voi olla tarpeen tehdä kaksi leikkauskierrosta siten, että jälkimmäisellä kierroksella lasketaan terää edelleen 1/3 alemmas ja mahdollisesti käytetään toisenlaista leikkauskuviota. Kun kukin kierroksista menee hieman päällekkäin edellisen kanssa, nurmikolle mahdollisesti jäänyt leikattu ruoho silppuuntuu siististi pois. Ruohonleikkuria on aina syytä käyttää täydellä kaasulla. Tällä varmistetaan hyvä leikkausjälki ja tehokas leikkaaminen. Puhdistakotelon alapuoli jokaisen käyttökerran jälkeen, jotta sinne ei kerry ruohoa. Kertynyt ruoho estää tehokkaan silppuamisen. Lehtien silppuaminen Lehtien silppuaminen voi olla hyväksi nurmikolle. Varmista lehtiä silputessasi, että ne ovat kuivia ja että niitä ei ole nurmikolla liian paksuna kerroksena. Älä odota kaikkien lehtien putoamista maahan, ennen kuin aloitat silppuamisen.



VAROITUS: Pysäytä moottori, jos leikkuri osuu vierasesineeseen. Irrota sytytystulpan johto, tarkasta ruohonleikkuri huolellisesti vaurioiden varalta ja korjaa mahdolliset vauriot, ennen kuin käynnistät ruohonleikkurin uudelleen. Huomattava käytönaikainen tärinä on merkki vauriosta. Ruohonleikkuri on tällöin tarkastettava ja korjattava viipymättä.

10-7 KOTELO

Ruohonleikkurin kotelon alapuoli on syytä puhdistaa jokaisen käyttökerran jälkeen, jotta sinne ei pääse kertymään paakkuuntunutta ruohoa, lehtiä, likaa tai muuta leikkuijätettä. Kertynyt leikkuijäte voi altistaa ruohonleikkurin ruosteelle ja korroosiolle sekä estää tehokkaan silppuamisen. Kotelo puhdistetaan kallistamalla ruohonleikkuria ja kaapimalla se sitten puhtaaksi sopivalla välineellä (varmistaa, että sytytystulpan johto on irrotettu).

11. KUNNOSSAPITO

SYTYTYSTULPPA

Käytä vain alkuperäisiä vaihtosytytystulppia. Sytytystulppa on syytä vaihtaa 100 käyttötunnin välein.

12. VOITELU



HUOMIO: IRROTA SYTYTYSTULPPA ENNEN HUOLTOA.

1. PYÖRÄT – Voitele jokaisen pyörän kuulalaakerit kevytöljyllä vähintään kerran kesän aikana.
2. MOOTTORIT – Noudata moottorioppaassa annettuja voiteluohjeita.
3. TERÄN SÄÄDIN – Voitele teränsäätökahvan nivelkohdat sekä jarruvaijeri kevytöljyllä vähintään kerran kesän aikana. Terän säätimen tulee liikkua esteettä molempiin suuntiin.

13. PUHDISTUS



HUOMIO: Älä suihkuta moottoria vedellä. Vesi voi vioittaa moottoria ja polttoainejärjestelmää.

1. Pyyhi kotelo kuivalla kankaalla.
2. Suihkuta kotelon alta kallistamalla ruohonleikkuria siten, että sytytystulppa osoittaa ylöspäin.

13-1 MOOTTORIN ILMANPUHDISTIN



HUOMIO: Varmista, ettei lika tai pöly pääse tukkimaan ilmansuodattimen vaahtoelementtiä. Moottorin ilmanpuhdistinelementti pitää huoltaa (puhdistaa) 25 normaalin käyttötunnin jälkeen. Vaahtolementti pitää puhdistaa säännöllisin väliajoin, jos ruohonleikkuria käytetään kuivassa ja pölyisessä ympäristössä (katso lisätietoja moottorin käyttöoppaasta).

ILMANSUODATTIMEN PUHDISTUS

1. Irrota ruuvi. (kuva 10A, kuva 10B).
2. Irrota kansi.
3. Pese suodatinelementti saippuavedellä. **ÄLÄ KÄYTÄ BENSIINIÄ!**
4. Kuivaa suodatinelementti ilmalla.
5. Pane vaahtosuodattimeen muutama pisara SAE30-öljyä ja purista tiukasti niin, että ylimääräinen öljy puristuu pois.
6. Asenna suodatin uudelleen.



HUOMAUTUS: Vaihda suodatin, jos se on hankautunut, repeytynyt tai vioittunut tai jos sitä ei voi puhdistaa

13-2 LEIKKUUTERÄ



HUOMIO: Irrota ja maadoita sytytystulpan johto ennen leikkuuterän huoltamista, jotta moottori ei pääse käynnistymään vahingossa. Suojaa kätesi tarttumalla leikkuuteriin tukevin suojakäsinein tai rievulla. Kallista leikkuria erillisessä moottorioppaassa annettujen ohjeiden mukaisesti. Irrota kuusiopultti ja aluslevy, jotka tukevat terän ja terän sovittimen moottorin kampiakselia vasten. Irrota terä ja sovitin kampiakselista.



VAROITUS: Tarkasta terän sovitin säännöllisin väliajoin ja varsinkin silloin, kun ruohonleikkuri osuu vierasesineeseen. Vaihda tarvittaessa. Terän pitää olla terävä, jotta leikkuijälki olisi paras mahdollinen. Terän voi teroittaa irrottamalla sen ja hiomalla tai viilaamalla leikkuijätettä mahdollisimman tarkoin alkuperäistä viistettä seuraten. Leikkuijätet on tärkeää hioa tasaisesti, jotta terä pysyy tasapainossa. Jos terä jää epätasapainoiseksi, siitä aiheutuva tärinä vahingoittaa lopulta moottoria ja ruohonleikkuria. Varmista terän tasapaino huolellisesti teroittamisen jälkeen. Tasapainon voi tarkistaa asettamalla terän pyöreävirtaisen ruuvitalan päälle. Hio metallia pois painavasta päästä, kunnes terä on tasapainossa.

Voitele moottorin kampiakseli ja terän sovittimen sisäpinta kevytöljyllä, ennen kuin kiinnität terän ja terän sovittimen takaisin paikalleen. Asenna terän sovitin moottorin kampiakseliin. Ks. **kuva 11**. Käännä terä asentoon, jossa osanumero on poispäin sovittimesta. Sovita aluslevy terän päälle ja pane kuusiopultti paikalleen. Kiristä kuusiopultti alla mainittuun arvoon:

13-3 TERÄN KIRISTYSMOMENTTI

Keskipultti 40–50 Nm laitteen turvallisen toiminnan takaamiseksi. KAIKKIEN pulttien ja mutterien kiristystä pitää tarkistaa säännöllisin väliajoin.

Terä kuuluu alkuperäisestä muodostaan, kun ruohonleikkuria käytetään pitkään varsinkin hiekkaisessa ympäristössä. Tällöin leikkuuteho huononee ja terä on syytä vaihtaa. Käytä vain hyväksytyt valmistajan varaosaterää. Valmistaja ei vastaa väärin tasapainotetun terän aiheuttamasta vahingosta.

Tarkista terää vaihtaessasi terän alkuperäinen tyyppi, joka on merkitty terään (MAKITA 263001826). (Ota terää tilatessasi yhteyttä paikalliseen jälleenmyyjään tai meihin.)



VAROITUS: Älä koske pyörivään terään.

13-4 MOOTTORI

Katso moottorin huolto-ohjeet erillisestä moottorioppaasta.

Lisää moottoriöljyä ruohonleikkurin mukana toimitettavan erillisen moottorioppaan mukaisesti. Lue ohjeet huolellisesti ja toimi niiden mukaisesti.

Huolla ilmanpuhdistin normaalioloissa erillisen moottorioppaan ohjeiden mukaisesti.

Puhdista se muutaman tunnin välein, jos ympäristössä on runsaasti pölyä. Moottorin alentunut teho ja vuotaminen on yleensä merkki siitä, että ilmansuodatin on tarpeen puhdistaa.

Huolla ilmanpuhdistin ruohonleikkurin mukana toimitettavan erillisen moottorioppaan mukaisesti.

Sytytystulppa on syytä puhdistaa ja kärkiväli säätää kerran kesässä. Sytytystulpan vaihtaminen on suositeltavaa kesän alussa. Katso sytytystulpan oikea tyyppi ja kärkiväli moottorioppaasta.

Puhdista moottori säännöllisesti kankaalla tai harjalla.

Pidä jäähdytysjärjestelmä (tuulettimen runko) puhtaana, jotta ilma pääsee kiertämään vapaasti. Tämä on tärkeää moottorin tehon ja käyttöiän kannalta. Poista ruoho, lika ja palavat roskat äänenvaimentimen läheisyydestä.

14. SÄILYTYS (TALVIAIKANA)

Toimi seuraavasti, kun viet ruohonleikkurin talvivarastoon.

1. Tyhjennä polttoainesäiliö kauden viimeisen leikkuukerran jälkeen.
 - a) Tyhjennä polttoainesäiliö imupumpulla.



HUOMIO: Älä tyhjennä polttoainesäiliötä suljetussa tilassa, avotulen lähellä jne. Älä tupakoi tyhjennyksen aikana! Bensiinihöyryt voivat aiheuttaa räjähdyksen tai tulipalon.

- b) Käynnistä moottori ja anna sen käydä, kunnes jäljellä oleva polttoaine on kulunut loppuun ja moottori sammuu.
- c) irrota sytytystulppa. Kaada öljykannulla palotilaan noin 20 ml öljyä. Pyöritä moottoria käynnistysmoottorilla, jotta öljy leviää tasaisesti palotilaan. Asenna sytytystulppa takaisin paikalleen.
2. Puhdista ja voitele ruohonleikkuri huolellisesti Voiteluluvussa kerrotulla tavalla.
3. Voitele leikkuuterä kevyesti ruostumisen estämiseksi.
4. Säilytä ruohonleikkuria kuivassa, puhtaassa ja pakkaselta suojatussa paikassa asiattomien henkilöiden ulottumattomissa.



HUOMIO: Anna moottorin jäähtyä täysin ennen ruohonleikkurin varastointia.



HUOMAUTUS:

- Huolehdi riittävästä ruosteestosta aina, kun säilytät moottoroituja välineitä huonolla ilmanvaihdolla varustetussa tilassa tai vajassa. Voitele laite ja erityisesti sen vaijerit ja liikkuvat osat kevytöljyllä tai siliikonilla.
- Varo, että vaijerit eivät taivu tai taitu.
- Jos käynnistinnaru irtoaa kahvan naruohjaimesta, irrota ja maadoita sytytystulpan johto, paina teränsäätökahvasta ja vedä käynnistinnaru hitaasti ulos moottorista. Sovita käynnistinnaru sitten takaisin kahvan naruohjaimen.

Kuljetus

Sammuta moottori. Varo vahingoittamasta leikkuuterää, kun työnnet ruohonleikkuria esteiden yli.

15. VIANMÄÄRITYS

ONGELMA	TODENNÄKÖINEN SYY	KORJAUSTOIMI
Moottori ei käynnisty.	Kaasuvipu ei ole oikeassa asennossa.	Siirrä kaasuvipu oikeaan asentoon.
	Polttoainesäiliö on tyhjä.	Täytä polttoainesäiliö (katso lisätietoja moottorin käyttöoppaasta).
	Ilmanpuhdistinelementti on likainen.	Puhdista ilmanpuhdistinelementti (katso lisätietoja moottorin käyttöoppaasta).
	Sytytystulppa on löysällä.	Kiristä sytytystulppa 25–30 Nm:n tiukkuuteen.
	Sytytystulpan johto on löysällä tai irti tulpasta.	Kiinnitä sytytystulpan johto sytytystulppaan.
	Sytytystulpan kärkiväli on väärä.	Säädä elektrodien kärkiväliksi 0,7–0,8 mm.
	Sytytystulppa on viallinen.	Vaihda tilalle uusi sytytystulppa, jonka kärkiväli on säädetty oikein (katso lisätietoja moottorin käyttöoppaasta).
	Kaasuttimeen tulee liikaa polttoainetta.	Irrota ilmanpuhdistinelementti ja vedä käynnistinnarusta yhtäjaksoisesti, kunnes kaasutin puhdistuu, ja pane ilmanpuhdistinelementti sitten takaisin paikalleen.
Viallinen käynnistyslaite.	Ota yhteyttä huoltoedustajaan.	
Moottorin käynnistäminen on hankalaa, tai sen teho laskee.	Likaa, vettä tai vanhaa polttoainetta polttoainesäiliössä.	Tyhjennä polttoaineesta ja puhdista. Täytä polttoainesäiliö puhtaalla ja tuoreella polttoaineella.
	Polttoainesäiliön korkin ilma-aukko tukossa.	Puhdista tai vaihda polttoainesäiliön korkki.
	Ilmanpuhdistinelementti on likainen.	Puhdista ilmanpuhdistinelementti.
Moottorin toiminnassa on häiriöitä.	Sytytystulppa on viallinen.	Vaihda tilalle uusi sytytystulppa, jonka kärkiväli on säädetty oikein (katso lisätietoja moottorin käyttöoppaasta).
	Sytytystulpan kärkiväli on väärä.	Säädä elektrodien kärkiväliksi 0,7–0,8 mm.
	Ilmanpuhdistinelementti on likainen.	Puhdista ilmanpuhdistinelementti (katso lisätietoja moottorin käyttöoppaasta).
Moottorin tyhjäkäynti on heikkoa.	Ilmanpuhdistinelementti on likainen.	Puhdista ilmanpuhdistinelementti (katso lisätietoja moottorin käyttöoppaasta).
	Moottorikotelon ilma-aukot ovat tukkeutuneet.	Poista lika aukoista.
	Moottorin tuulettimen rungon jäähdytysrivat ja ilmanavat ovat tukkeutuneet.	Poista lika jäähdytysriivoista ja ilmanavista.
Moottori alkaa käydä suurella kierrosluvulla.	Sytytystulpan elektrodien kärkiväli on liian pieni.	Säädä elektrodien kärkiväliksi 0,7–0,8 mm.
Moottori ylikuumentuu.	Jäähdytysilman virtaus on estynyt.	Poista mahdollinen lika moottorikotelon aukoista, puhaltimen rungosta ja ilmanavista.
	Vääränlainen sytytystulppa.	Vaihda moottoriin RJ19LMC-sytytystulppa ja jäähdytysrivat.
Ruohonleikkuri tärisee epänormaalisti.	Leikkaava osa on löysällä.	Kiristä terä.
	Leikkaava osa on epätasapainossa.	Tasapainota terä.

16. TAKUU

Tällä tuotteella on takuu määräysten vaatima 12 kk:n takuu, jonka voimassaolo alkaa siitä päivästä, jolloin ensimmäinen omistaja on ostanut tuotteen. Tämä takuu koskee kaikkia materiaali- ja valmistusvikoja. Se ei koske normaalin kulumisen aiheuttamia vikoja, kuten laakerien, vaijerien, sytytystulppien tai lisävarusteiden (esimerkiksi poran- tai sahanterien)

kulumista, tuotteen väärinkäytöstä aiheutuneita vikoja tai vaurioita eikä kuljetuskustannuksia.

Varaamme oikeuden hylätä takuuvaatimuksen, jos ostotapahtumasta ei ole esittää tosittetta tai jos on ilmeistä että tuotetta ei ole huollettu asianmukaisesti (esimerkiksi ilmanvaihtoaukkoja ei ole puhdistettu tai hiiliharjoja huollettu säännöllisesti).

Ostopäivä on varmennettava ostotositteella.

Tuote on toimitettava jälleenmyyjälle purkamattomana ja riittävässä määrin puhdistettuna alkuperäisessä

ruiskuvalukotelossaan (jos tuotteen mukana toimitettiin sellainen) yhdessä ostotositteen kanssa.

17. YMPÄRISTÖNÄKÖKOHDAT

Jos laite on tarpeen hävittää pitkän käyttöajan jälkeen, älä laita sitä talousjätteeseen vaan hävitä se ympäristön kannalta turvallisella tavalla.

18. EY-VAATIMUSTENMUKAISUUSVAKUUTUS

(Koskee vain Euroopan maita)

Vastuullinen valmistaja Makita Corporation ilmoittaa vastaavansa siitä, että seuraava(t) Makitan valmistama(t) kone(et):

Laitteen tunnistetiedot: Bensiinikäyttöinen ruohonleikkuri

Mallinro/tyyppi: PLM5120, PLM5121

Tekniset tiedot: Katso kohta "4. TEKNISET TIEDOT"

ovat sarjavalmisteisia ja

täyttävät seuraavien eurooppalaisten direktiivien

vaatimukset:

2004/108/EY, 2006/42/EY, 2000/14/EY&2005/88/EY

ja että ne on valmistettu seuraavien standardien tai

standardoitujen asiakirjojen mukaisesti:

EN ISO 14982, EN836

Teknisen dokumentaation ylläpidosta vastaa valtuutettu

Euroopan-edustajamme, jonka yhteystiedot ovat:

Makita International Europe Ltd.

Michigan Drive, Tongwell,

Milton Keynes, Bucks MK15 8JD, England

Direktiivissä 2000/14/EY edellytetty

vaatimustenmukaisuusarviointi tehtiin liitteen V

mukaisesti.

Ilmoitettu laitos:

TÜV SÜD Industrie Service GmbH

Westendstraße 199, 80686 München, Deutschland

Tunnistenumero: 0036

Malli: PLM5120

Mitattu äänitehotaso: 92,3 dB (A)

Taattu äänitehotaso: 98 dB (A)

Malli: PLM5121

Mitattu äänitehotaso: 92,4 dB (A)

Taattu äänitehotaso: 98 dB (A)

30.11.2011



Tomoyasu Kato

Johtaja

Makita Corporation

3-11-8, Sumiyoshi-cho,

Anjo, Aichi, JAPAN

- | | | |
|------------------------------------|-------------------------------|-----------------------------|
| 1. Bremzes kontroles rokturis | 7. Kabeļa skava | 13. Elļas vāciņš |
| 2. Augšējais rokturis | 8. Augstuma regulēšanas svira | 14. Iedarbināšanas rokturis |
| 3. Pašpiedziņas kontroles rokturis | 9. Pamatne | 15. Bultskrūve |
| 4. Jaudas svira | 10. Sānu aizvars | 16. Paplāksne |
| 5. Troses virzītājs | 11. Aizdedzes svece | 17. Aizdedzināšanas kamera |
| 6. Bloķēšanas rokturis | 12. Degvielas vāciņš | 18. Skrūve |



BRĪDINĀJUMS:

Savas drošības nolūkā pirms strādāt ar jauno ierīci, lūdzu, izlasiet šo rokasgrāmatu. Ja netiek ievērotas instrukcijas, var izraisīt nopietnus savainojumus. Pirms katras lietošanas reizes veltiet brīdi, lai pārbaudītu plaujmašīnu.



Uzmanību: Karsts dzinējs.

1. UZ IZSTRĀDĀJUMA ESOŠIE SIMBOLI



Izlasiet lietošanas rokasgrāmatu.



Neļaujiet tuvumā atrasties nepiederošām personām.



Lai nepieļautu ievainojumus, lietotājam jāpievērš uzmanība kāju un roku aizsardzībai.



Degviela ir viegli uzliesmojoša; neuzturieties atklātas liesmas tuvumā. Nepildiet degvielu, kamēr ierīce darbojas.



Toksiski izgarojumi — nestrādājiet iekštelpās.



Operatoram savai aizsardzībai darba laikā jālieto aizsargbrilles un ausu aizbāžņi.



Veicot remontu, izņemiet aizdedzes sveci un veiciet remontu saskaņā ar lietošanas rokasgrāmatu.

2. VISPĀRĒJIE DARBA DROŠĪBAS NOTEIKUMI



BRĪDINĀJUMS: Lietojot ar benzīnu darbināmas ierīces, vienmēr jāievēro drošības norādījumi, tostarp turpmāk minētie, lai mazinātu nopietnu ievainojumu un/vai iekārtas bojājumu risku. Pirms ierīces lietošanas izlasiet šos norādījumus un saglabājiet tos arī turpmākām uzziņām.



BRĪDINĀJUMS: Šī ierīce ekspluatācijas laikā rada elektromagnētisko lauku. Atsevišķos gadījumos šis lauks var ietekmēt aktīvos vai pasīvos medicīniskos implantātus. Lai samazinātu nopietnu vai nāvīgu ievainojumu risku, personām ar medicīniskiem implantātiem pirms ierīces lietošanas mēs iesakām konsultēties ar savu ārstu un medicīnisko implantātu ražotāju.

Apmācība

- Uzmanīgi izlasiet norādījumus. Iepazīstieties ar aprīkojuma vadības iekārtām un pareizu izmantošanu.
- Nepieļaujiet, ka zāles plaujmašīnu izmanto bērni vai cilvēki, kas nepazīst zāles plaujmašīnas izmantošanas norādījumus. Vietējie noteikumi var ierobežot lietotāja vecumu.
- Nekad nepļaujiet, ja tuvumā ir cilvēki, jo īpaši bērni, vai dzīvnieki.
- Nemiet vērā, ka operators vai lietotājs ir atbildīgs par negadījumiem vai apdraudējumu, kas radīts citiem cilvēkiem vai to īpašumam.

Sagatavošana

- Veicot zāles plaušanu, vienmēr valkājiet izturīgus apavus un garās bikses. Nelietojiet aprīkojumu, ja kājās nav apavi vai valkājāt atvērtas sandales.
- Rūpīgi pārbaudiet vietu, kurā izmantosit iekārtu un novāciet visus priekšmetus, ko mašīna varētu izkustināt.
- **BRĪDINĀJUMS** — benzīns ir ļoti viegli uzliesmojošs.
 - glabājiet degvielu tai īpaši paredzētās tvertnēs.
 - uzpildiet degvielu tikai ārpus telpām un pildīšanas laikā nesmēķējiet.

- degvielu uzpildiet pirms dzinēja iedarbināšanas. Nekādā gadījumā neņņemiet degvielas tvertnes vāciņu vai neuzpildiet degvielu, kad dzinējs darbojas vai kad tas ir karsts.
- ja degviela ir izšļakstījusies, neiedarbiniet dzinēju, bet gan pārvietojiet ierīci prom no vietas, kur degviela ir izšļakstījusies, un neveidojiet uzliesmojošus avotus, kamēr benzīna izgarojumi nav izzuduši.
- cieši novietojiet atpakaļ degvielas vāciņu un tvertņu vāciņus.
- Nomainiet bojātus klusinātājus.
- Pirms izmantošanas vienmēr vizuāli pārbaudiet, vai asmeņi, asmeņu bultskrūves un griešanas ierīce nav nodilusi vai bojāta. Lai saglabātu līdzsvaru, nomainiet visu bojātu asmeņu un bultskrūvju komplektu.

Ekspluatācija

- Nedarbiniet dzinēju norobežotā vietā, kur var uzkrāties bīstami oglekļa monoksīda izgarojumi.
- Pļaujiet tikai dienas gaismā vai labā mākslīgā apgaismojumā.
- Kur iespējams, nelietojiet aprīkojumu mitrā zālē.
- Strādājot nogāzē, nodrošiniet stabilu kāju atbalstu.
- Pārvietojieties staigājot, nevis skrienot.
- Izmantojot grozāmu ierīci ar riteņiem, pļaujiet slīpi pāri nogāzei — nekad nepļaujiet uz augšu vai uz leju.
- Mainot virzienu nogāzēs, esiet īpaši uzmanīgi.
- Nepļaujiet pārāk stāvas nogāzes.
- Esiet īpaši uzmanīgi, apgriežot zāles pļaujmašīnu vai velkot to pret sevi.
- Apturiet asmeni/-ņus, ja zāles pļaujmašīna ir jāsagāž, pārvietojot vai šķērsojot segumu, kas nav zāle, kā arī pārvietojot zāles pļaujmašīnu uz pļaušanas vietu un no tās.
- Nekad nelietojiet zāles pļaujmašīnu ar bojātiem aizsargiem, vai ja nav uzstādītas drošības ierīces, piemēram, deflektors un/vai zāles uztvērējs.
- Nomainiet dzinēja uzstādījumus vai nedarbiniet to ar pārlieku lieliem apgriezieniem.
- Pirms dzinēja iedarbināšanas atbrīvojiet visas asmens un piedziņas uznavas.
- Dzinēju iedarbiniet uzmanīgi, saskaņā ar norādījumiem un nestāviet asmens/-ņu tuvumā.
- Iedarbinot dzinēju, nesasveriet zāles pļaujmašīnu.
- Neiedarbiniet dzinēju, ja stāvat izvades teknes tuvumā.
- Nelieciet plaukstas vai pēdas rotējošo detaļu tuvumā vai zem tām. Nekad nestāviet izvades atveres tuvumā.
- Nekad neceliet un nenesiet zāles pļaujmašīnu, ja darbojas dzinējs.
- Apturiet dzinēju un atvienojiet aizdedzes sveces vadu; pārbaudiet, vai visas kustīgās daļas ir pilnībā apstājušās un, ja ierīkota atslēga, to neņemiet:
 - pirms nosprostojumu tīrīšanas vai izlaides teknes tīrīšanas.
 - pirms zāles pļaujmašīnas pārbaudīšanas, tīrīšanas vai strādāšanas ar to.
 - pēc atsišanās pret kādu priekšmetu. Pārbaudiet, vai zāles pļaujmašīnai nav bojājumu un veiciet remontu pirms zāles pļaujmašīnas atkārtotas iedarbināšanas un lietošanas.
 - ja zāles pļaujmašīna sāk neparasti vibrēt (nekavējoties pārbaudiet).

- Apturiet dzinēju un atvienojiet aizdedzes sveces vadu; pārbaudiet, vai visas kustīgās daļas ir pilnībā apstājušās un, ja ierīkota atslēga, to neņemiet:
 - ja atstājat zāles pļaujmašīnu bez uzraudzības.
 - pirms degvielas uzpildes.
- Apturot dzinēju, samaziniet droseles iestatījumu un, ja dzinējs ir apstāts ar izslēgšanas vārstu, pļaušanas beigās izslēdziet degvielas padevi.

Apkope un uzglabāšana

- Vienmēr cieši pieskrūvējiet visus uzgriežņus, bultskrūves un skrūves, lai nodrošinātu iekārtas drošu darba stāvokli.
- Nekad neuzglabājiet ierīci ar benzīnu tvertnē ēkā, kur izgarojumi var saskarties ar atklātu liesmu vai dzirkstelēm.
- Pirms ierīces uzglabāšanas noslēgtā vietā ļaujiet dzinējam atdzist.
- Lai mazinātu ugunsgrēka bīstamību, no dzinēja, klusinātāja, akumulatora nodalījuma un benzīna glabāšanas vietas vienmēr iztīriet zāli, lapas vai lielus netīrumus.
- Regulāri pārbaudiet, vai zāles uztvērējs nav nodilis vai nolietojies.
- Drošības nolūkā nomainiet nodilušas vai nolietotas daļas.
- Ja ir jāizteicina degvielas tvertne, tas jādara ārpus telpām.



BRĪDINĀJUMS: Nepieskarieties rotējošam asmenim.



BRĪDINĀJUMS: Veiciet degvielas uzpildi labi vēdinātā vietā, kad dzinējs ir izslēgts.

3. DAĻU APRAKSTS (1A un 1B att.)

Iekārtas komplektā:

A: aizdedzes sveces uzgriežņu atslēga

B: Izvades kanāls

4. TEHNISKIE DATI

Modelis	PLM5121	PLM5120
Dzinēja tips	Sērija B&S675EX, ReadyStart, 126T	Sērija B&S625E, 122T
Pašpiedziņas	Jā	Nē
Dzinēja darba tilpums	190 cm ³	190 cm ³
Asmens platums	510 mm	510 mm
Nominālais ātrums	2 800/min	2 800/min
Degvielas tvertnes tilpums	1,0 l	1,0 l
Neto svars	31,7 kg	28 kg
Augstuma regulēšana	25-70 mm, 5 stāvokļi	
L _{pA} (skaņas spiediena līmenis) darbavietā (k = 3 dB (A))	79,2 dB (A)	78,9 dB (A)
Garantētais skaņas jaudas līmenis L _{WA}	98 dB (A)	98 dB (A)
Vibrācija (k = 1,5 m/s ²)	2,305 m/s ²	2,056 m/s ²

5. MONTĀŽA

5-1 SALOKĀMĀ ROKTURA MONTĀŽA

- Ar bloķēšanas rokturiem piestipriniet apakšējos stieņus pie ierīces korpusa, kā parādīts. (**2A att., 2B att., 2C att., 2D att.**)
- Savienojiet augšējo rokturi un apakšējo rokturi ar bloķēšanas rokturi. (**2E att., 2F att., 2G att.**)
- Piestipriniet kabeļa skavu attēlā redzamajā vietā un piestipriniet kabeli. (**2H att.**)

6. PĻAUŠANAŠ AUGSTUMA NĒREGULĒŠANA

Lai atbrīvotu sviru no rāmja, nospiediet to uz ārpusi. Virziet sviru uz priekšu vai aizmuguri, lai noregulētu augstumu.

Augstumu (asmens attālumu no zemes) var regulēt no 25 mm (1. stāvoklis: zemākais stāvoklis) līdz 70 mm (5. stāvoklis: augstākais stāvoklis), 5 augstuma stāvokļos. (**3A att., 3B att.**)

Pirms pļaušanas augstuma maiņas apturiet pļaujmašīnu un atvienojiet aizdedzes sveces vadu.



BRĪDINĀJUMS: Šo regulēšanu veiciet tikai pēc asmens pilnīgas apstāšanās.

7. PIEMĒROTA AUGSTUMA NĒREGULĒŠANA (4A att., 4B att.)

- Atskrūvējiet bloķēšanas rokturi, kas fiksē apakšējo rokturi, skatiet **4A att.**
- Skatiet **4B att.**; virzot apakšējo rokturi uz augšu un uz leju, noregulējiet pareizu augstumu. Šim pļaujmašīnas tipam iespējams izvēlēties vienu no 3 regulēšanas stāvokļiem; 1. stāvoklis ir visaugstākais, 3. stāvoklis ir viszemākais.
- Noregulējiet vajadzīgo augstumu un nofiksējiet apakšējo rokturi ar bloķēšanas rokturi.



BRĪDINĀJUMS: Apakšējā roktura kreisajai un labajai pusei jābūt vienādā augstumā.

8. IEDARBINĀŠANAS ROKTURIS (5. att.)

Virziet iedarbināšanas rokturi no dzinēja pie troses virzītāja.

9. „2 FUNKCIJAS 1”

9-1 PĀRVEIDOŠANA PAR PĻAUJMAŠĪNU AR SĀNU IZVADI

- Paceliet sānu aizvaru sānu izvadi. (**6A att.**)
- Piestipriniet izvades virzītāju sānu izvadi pie sānu aizvara atbalsta tapas. (**6A att., 6B att.**)
- Nolaidiet sānu aizvaru tā, lai tas atrodas uz izvades kanāla. (**6C att.**)



Tikai ar izslēgtu motoru un nekustīgu asmeni!

9-2 PĻAUŠANA AR MULČĒŠANU

Kas ir mulčēšana?

Veicot mulčēšanu, zāle vispirms tiek nopļauta, pēc tam sasmalcināta un kā dabiskais mēslojums iestrādāta atpakaļ zālienā.

Padomi pļaušanai ar mulčēšanu:

- regulāri pļaujiet maks. 2 cm no 6 cm līdz 4 cm garas zāles;
- izmantojiet asu griešanas nazi;
- nepļaujiet mitru zāli;
- iestatiet maksimālo dzinēja ātrumu;
- pļaujiet darba ātrumā;
- regulāri tīriet mulčēšanas kļli, korpusa iekšpusi un pļaušanas asmeni.



BRĪDINĀJUMS: Tikai ar izslēgtu motoru un nekustīgu asmeni.

4. Pacieliet sānu aizvaru un noņemiet izvadnes kanālu.
(7A att., 7B att.)
- Sānu aizvars automātiski ar atsperes mehānismu aizver izvades atveri korpusā.
 - No sānu aizvara un izvades atveres regulāri notīriet zāles pārpalikumus un pieķērušos netīrumus.

10. EKSPLUATĀCIJAS NORĀDĪJUMI

10-1 PIRMS DARBA SĀKŠANAS

Piepildiet plaujmašīnu ar benzīnu un eļļu, kā norādīts atsevišķā dzinēja rokasgrāmatā, kas pievienota plaujmašīnai. Rūpīgi izlasiet norādījumus.



BRĪDINĀJUMS: Benzīns ir ļoti viegli uzliesmojošs.

Uzglabājiet degvielu tai īpaši paredzētās tvertnēs. Uzpildiet degvielu tikai ārpus telpām, pirms dzinēja iedarbināšanas; pildot vai pārvietojot degvielu nesmēķējiet.

Nekādā gadījumā nenoņemiet degvielas tvertnes vāciņu vai neuzpildiet degvielu, kad dzinējs darbojas vai kad tas ir karsts.

Ja degviela ir izšakstījusies, neiedarbiniet dzinēju, bet gan pārvietojiet ierīci prom no vietas, kur degviela ir izšakstījusies, un neveidojiet uzliesmojošus avotus, kamēr benzīna izgarojumi nav izzuduši.

Cieši novietojiet atpakaļ degvielas vāciņu un tvertņu vāciņus.

Pirms savvērt zāles plaujmašīnu, lai veiktu asmens apkopi vai iztecinātu eļļu, atbrīvojiet tvertni no degvielas.



BRĪDINĀJUMS: Nekad nepildiet degvielas tvertni iekšelpās, ar ieslēgtu dzinēju, vai kamēr dzinējs pēc ekspluatācijas nav atdzisis vismaz 15 minūtes.

10-2 DZINĒJA IEDARBINĀŠANA UN ASMENS PALAIŠANA

1. Ierīcei virs aizdedzes sveces gala atrodas gumijas apvalks. Pārbaudiet, vai metāla cilpa aizdedzes sveces vada galā (gumijas apvalka iekšpusē) ir cieši piestiprināta virs aizdedzes sveces metāla uzgāja.
- 2.1. Izmantojot PLM5121.
Iedarbinot aukstu vai uzsildītu dzinēju, pagrieziet droseles jaudas sviru tā, lai tā atrodas starp stāvokli „☁” un stāvokli „☁☁”. Eksploatacijas laikā pagrieziet droseles jaudas sviru stāvoklī „☁☁”.
(8B att.)
- 2.2. Izmantojot PLM5120.
Iedarbinot aukstu dzinēju, nospiediet aizdedzināšanas kameru 3-5 reizes pirms dzinēja iedarbināšanas, pagriežot droseles jaudas sviru stāvoklī „☁☁”.
Iedarbinot uzsildītu dzinēju un sākot ar to strādāt, pagrieziet droseles jaudas sviru stāvoklī „☁☁☁”.
(8A att., 8B att.)
3. Stāvot aiz ierīces, satveriet bremzes kontroles rokturi un turiet to pret augšējo rokturi, kā parādīts **8C att.**

4. Satveriet iedarbināšanas rokturi, kā parādīts **8C att.** un strauji to pavelciet. Pēc dzinēja iedarbināšanas lēnām to novietojiet atpakaļ pie troses virzītāja skrūves.
Lai apturētu dzinēju un asmeni, atlaidiet bremzes kontroles rokturi. **(8D att.)**



Dzinēju iedarbiniet uzmanīgi, saskaņā ar norādījumiem un nestāviet asmens tuvumā.



Iedarbinot dzinēju, nesatveriet zāles plaujmašīnu. Plaujmašīnu iedarbiniet uz līdzenas virsmas, uz kuras nav zāles vai priekšmetu.



Netuviniet rokas un kājas rotējošām daļām. Neiedarbiniet dzinēju, ja stāvat izlaides teknes atvēruma tuvumā.

10-3 EKSPLUATĀCIJAS PROCEDŪRAS

Eksploatacijas laikā ar abām rokām cieši turiet bremzes kontroles rokturi.



PIEZĪME: Atlaižot bremzes kontroles rokturi ekspluatācijas laikā, dzinējs apstāsies, un zāles plaujmašīna nedarbosies.

10-4 DZINĒJA APTURĒŠANA



UZMANĪBU: Pēc dzinēja izslēgšanas asmens turpina griezties vairākas sekundes.

1. Lai apturētu dzinēju un asmeni, atlaidiet bremzes kontroles rokturi.
2. Atvienojiet un iezemējiet aizdedzes sveces vadu, kā norādīts atsevišķā dzinēja rokasgrāmatā, lai nepieļautu dzinēja nejausu iedarbināšanu, kad ierīce atstāta bez uzraudzības.

10-5 SAVIENOJUMS AUTOMĀTISKAI KUSTĪBAI

Izmantojot PLM5121

Satverot pašpiedziņas kontroles rokturi, zāles plaujmašīna automātiski virzīsies uz priekšu ar ātrumu apmēram 3,6 km/h **(9. att.)**. Ja atlaidīsiet slēdža rokturi, zāles plaujmašīna apstāsies.



UZMANĪBU: Plaujmašīna ir paredzēta normāla garuma dzīvojamās zonas zāles, kas nav garāka par 250 mm, pļaušanai.

Nemēģiniet pļaut ļoti garu sausu vai mitru zāli (piemēram, ganībās) vai sausu lapu kaudzē. Netīrumi var uzkrāties uz plaujmašīnas pamatnes var saskarties ar dzinēja izplūdes gāzēm, radot potenciālu ugunsgrēka bīstamību.

10-6 LABĀKIEM PĻAUŠANAS REZULTĀTIEM

Attīriet mauriņu no netīrumiem — no mauriņa novāciet akmeņus, žaģarus, stieples un citus priekšmetus, ko plaujmašīna varētu nejausi aizmest kādā virzienā un

izraisīt nopietnus ievainojumus lietotājam citām personām, kā arī bojāt īpašumu un apkārtējos objektus. Nepļaujiet mitru zāli. Lai pļaušana būtu efektīva, nepļaujiet mitru zāli, jo tā pielīp pie pamatnes apakšas, neļaujot pareizi veikt zāles atgriezumam pļaušanu. Nepļaujiet vairāk nekā 1/3 no zāles garuma — ieteicamais zāles garums pļaušanai ir 1/3 no zāles garuma.

Nepieciešams noregulēt pamata ātrumu tā, lai nopļauto zāli varētu vienmērīgi izkaisīt pa mauriņu. Pļaujot sevišķi garu un biezu zāli, var būt nepieciešams izmantot vienu no zemākajiem ātrumiem, lai nodrošinātu vienmērīgu pļaušanu. Pļaujot garu zāli, mauriņu var būt nepieciešams pļaut divas reizes, otro reizi nolaižot asmeni vēl par 1/3 zemāk no zāles garuma, kā arī, iespējams, pļaujot atšķirīgā virzienā nekā pirmo reizi. Katru reizi pļaujot nedaudz pāri iepriekšējai pļaušanas vietai, iespējams arī novākt zāles atgriezumus, kas var būt palikuši uz mauriņa. Pļaujmašīna vienmēr jādarbina pilnā jaudā, lai iegūtu labāko zāles griezumam un nodrošinātu vislabāko pļaušanu. Notīriet pamatnes apakšu — pēc katras izmantošanas reizes notīriet pļaušanas pamatnes apakšu, lai novērstu zāles sakrāšanos, kas neļaus pareizi veikt mulčēšanu. Lapu pļaušana — lapu pļaušana var būt labvēlīga mauriņam. Pļaujot lapas, pārbaudiet, vai tās ir sausas un uz zālāja nav pārāk biezs slānis. Negaidiet, kamēr no kokiem nokritis visas lapas, pirms veikt pļaušanu.



BRĪDINĀJUMS: Ja pļaujmašīna atsitās pret kādu priekšmetu, apturiet dzinēju. No aizdedzes sveces noņemiet vadu, rūpīgi pārbaudiet, vai pļaujmašīnai nav bojājumu un, pirms atkal iedarbināt un lietot pļaujmašīnu, novērsiet bojājumus. Pārmērīga pļaujmašīnas vibrācija ekspluatācijas laikā liecina par bojājumiem. Nekavējoties pārbaudiet ierīci un salabojiet.

10-7 PAMATNE

Pēc katras izmantošanas reizes notīriet pļaujmašīnas pamatnes apakšu, lai novērstu zāles, lapu, netīrumu un citu vielu sakrāšanos. Ja ļauj sakrāties netīrumiem, tas veicina rūsu un koroziju, un neļaus pareizi veikt mulčēšanu. Pamatni var notīrīt, pļaujmašīnu sagāžot un notīrot ar piemērotu instrumentu (pārbaudiet, vai aizdedzes sveces vads ir atvienots).

11. TEHNISKĀS APKOPES NORĀDĪJUMI

AIZDEDES SVECE

Izmantojiet tikai oriģinālo rezerves aizdedzes sveci. Labākiem rezultātiem nomainiet aizdedzes sveci pēc katrām 100 lietošanas stundām.

12. NORĀDĪJUMI EĻĻOŠANAI



UZMANĪBU: VIENMĒR PIRMS APKOPES VEIKŠANAS ATVIENOJIET AIZDEDES SVECI.

1. RITENĪ — vismaz reizi sezonā ar zemas viskozitātes eļļu ieeļļojiet katru riteņa lodīšu gultņus.
2. DZINĒJS — norādījumus eļļošanai meklējiet dzinēja rokasgrāmatā.

3. ASMENS — vismaz reizi sezonā ar zemas viskozitātes eļļu ieeļļojiet griešanās punktus uz asmens kontroles roktura un bremzes trosi. Asmens kontroles rokturim brīvi jāgriežas abos virzienos.

13. TĪRĪŠANA



UZMANĪBU: Neskalojiet dzinēju ar šūteni. Ūdens var sabojāt dzinēju un piesārņot degvielas sistēmu.

1. Noslaukiet pamatni ar sausu lupatiņu.
2. Noskalojiet pamatnes apakšu ar šūteni, sagāžot pļaujmašīnu tā, lai aizdedzes svece atrodas augšā.

13-1 DZINĒJA GAISA FILTRS



UZMANĪBU: Neļaujiet netīrumiem vai putekļiem aizsprostot gaisa filtra filtrējošo elementu. Gaisa filtra elementam jāveic apkope (jātīra) pēc 25 stundām pļaušanas normālos apstākļos. Filtrējošam elementam regulāri jāveic apkope, ja pļaujmašīnu izmanto sausus, putekļainos apstākļos. (Skatiet DZINĒJA LIETOTĀJA ROKASGRĀMATU.)

GAISA FILTRA TĪRĪŠANA

1. Atskrūvējiet skrūvi. (10A att., 10B att.)
 2. Noņemiet vāku.
 3. Nomazgājiet filtra elementu ziepjūdenī.
- NEIZMANTOJIET BENZĪNU!**
4. Filtra elementu nožāvējiet ar gaisu.
 5. Uzpiļiniet dažas lāses SAE30 eļļas uz filtra un cieši saspiediet, lai atbrīvotos no liekās eļļas.
 6. Atliciet filtru atpakaļ.



PIEZĪME: Nomainiet filtru, ja tas ir nodilis, bojāts vai to nevar notīrīt.

13-2 GRIEZĒJASMENS



UZMANĪBU: Lai nepieļautu dzinēja nejašu iedarbināšanu, pirms sākt darbu ar griezējasmēni atvienojiet un iezemējiet aizdedzes sveces vadu. Izmantojiet biezus cimdus, lai aizsargātu rokas, satverot griezējasmēni. Sašķiebiet pļaujmašīnu, kā norādīts atsevišķajā dzinēja rokasgrāmatā. Atskrūvējiet seššķautņu bultskrūvi un uzgriezni, kas piestiprina asmeni un asmens paplāksni pie dzinēja kloķvārpstas. Noņemiet asmeni un turētāju no kloķvārpstas.



BRĪDINĀJUMS: Regulāri pārbaudiet, vai asmens turētājam nav plaisu, jo īpaši, ja pļaujmašīna atsitās pret kādu priekšmetu. Ja nepieciešams, nomainiet. Lai iegūtu labākus rezultātus, asmenim ir jābūt asam. Asmeni var atkārtoti noregulēt, to noņemot un griezējmalu noslīpējot vai novilējot, pēc iespējas ievērojot sākotnējo leņķi. Ļoti svarīgi ir nodrošināt, lai visas griezējmalas būtu vienādi noslīpētas, lai nepieļautu nebalansēta asmens izveidošanos. Nepareizi balansēts asmens radīs pārmērīgu vibrāciju, kas var izraisīt bojājumus dzinējam

1. Pēc pēdējās plaušanas rūpīgi balansējiet asmeni. Asmens balansu var pārbaudīt, to balansējot uz apaļas skrūvgrieža ass. Noņemiet metālu no smagākās puses, līdz asmens ir balansā.

Pirms asmens un asmens adaptera piestiprināšanas pie ierīces, ar zemas viskozitātes eļļu ieeļļojiet dzinēja kloķvārpstas un asmens turētāja iekšējo virsmu. Piestipriniet asmeni turētāju pie dzinēja kloķvārpstas. Skatiet **11. att.** Novietojiet asmeni tā, lai daļas numurs neatrodas paplāksnes pusē. Novietojiet blīvi virs asmens un ievietojiet seššķautņņu skrūvi. Pieskrūvējiet seššķautņņu skrūvi atbilstoši šeit norādītajam griezes momentam.

13-3 ASMENS PIESTIPRINĀŠANAS GRIEZES MOMENTS

Centrējiet bultskrūvi 40Nm-50Nm, lai nodrošinātu ierīces drošu ekspluatāciju. Regulāri jāpārbauda, vai VISI uzgriežņi un skrūves ir pareizi pieskrūvētas.

Pēc ilgstošas lietošanas, jo īpaši, ja augsne ir smilšaina, asmens nodils, un tam vairs nebūs sākotnējās formas. Plaušanas efektivitāte būs samazināta, tādēļ asmens ir jānomaina. Nomainiet tikai pret apstiprinātas rūpnīcas rezerves asmeni. Ražotājs neuzņemas atbildību par iespējamiem bojājumiem, kas radušies no nebalansēta asmens.

Nomainot asmeni, izmantojiet oriģinālo tipu, kas norādīts uz asmens (MAKITA 263001826). (Lai pasūtītu asmeni, lūdzu, sazinieties ar vietējo izplatītāju vai zvaniet mūsu uzņēmumam.)



BRĪDINĀJUMS: Nepieskarities rotējošam asmenim.

13-4 DZINĒJS

Dzinēja apkopes norādījumus skatiet atsevišķā dzinēja rokasgrāmatā.

Piepildiet eļļu, kā norādīts atsevišķā dzinēja rokasgrāmatā, kas pievienota plaujmašīnai. Rūpīgi izlasiet un izpildiet norādījumus.

Gaisa filtru apkopiet, kā norādīts atsevišķā dzinēja rokasgrāmatā attiecībā uz normāliem apstākļiem. Sevišķi putekļainos apstākļos filtriet ik pēc dažām stundām. Slikts dzinēja sniegums un pārplūšana parasti liecina, ka gaisa filtram nepieciešama apkope.

Lai veiktu apkopi gaisa filtram, skatiet atsevišķu dzinēja rokasgrāmatu, kas pievienota plaujmašīnai.

Aizdedzes svece jātīra un sprauga jāregulē reizi sezonā.

Aizdedzes sveci ieteicams nomainīt katras plaušanas sezonas sākumā — dzinēja rokasgrāmatā nosakiet pareizo sveces tipu un spraugas tehniskos datus.

Dzinēju regulāri tīriet ar lupatīņu vai birstīti. Dzesēšanas sistēmu (pūtējventilatora korpusa zonu) uzturiet tīru, lai nodrošinātu pietiekamu gaisa cirkulāciju, kas ir nepieciešama dzinēja sniegumam un kalpošanas ilgumam. No klusinātāja zonas noņemiet zāli, netīrumus un viegli uzliesmojošus materiālus.

14. NORĀDĪJUMI GLABĀŠANAI (PĒC SEZONAS BEIGĀM)

Lai zāles plaujmašīnu sagatavotu glabāšanai, jāveic šādi pasākumi.

1. Pēc pēdējās plaušanas reizes sezonā iztukšojiet tvertni.

a) Degvielas tvertni iztukšojiet ar sūcējsūkni.



UZMANĪBU: Neizlejiet benzīnu slēgtās telpās, tuvu atklātai ugunij u. c. Nesmēķējiet! Benzīna izgarojumi var izraisīt eksploziju vai ugunsgrēku.

b) Iedarbiniet dzinēju un ļaujiet tam darboties, līdz ir izlietots atlikušais benzīns un tas apstājas.

c) Izņemiet aizdedzes sveci. Izņemot eļļas kannu, lai iepildītu 20 ml eļļas degkamerā. Iedarbiniet starteri, lai degkamerā vienmērīgi sadalītu eļļu. Nomainiet aizdedzes sveci.

2. Uzmanīgi notīriet un ieeļļojiet zāles plaujmašīnu, kā aprakstīts sadaļā „Eļļošana”.

3. Viegli ieeļļojiet asmeni, lai novērstu koroziju.

4. Uzglabājiet zāles plaujmašīnu sausā, tīrā un no sala aizsargātā vietā, kur nevar iekļūt nepiederošas personas.



UZMANĪBU: Pirms zāles plaujmašīnas novietošanas glabāšanā ļaujiet dzinējam pilnībā atdzist.



PIEZĪME:

- Ja mehānizētās ierīces glabājat nevēdināmā telpā vai materiālu glabāšanas noliktavā, ierīcēm nepieciešams nodrošināt aizsardzību pret rūsū. Pārklājiet ierīci, jo sevišķi tās kabelus un kustīgās daļas, ar zemas viskozitātes eļļu vai silikonu.

- Uzmanieties, lai nesaliktu un nesamezglotu kabelus.

- Ja iedarbināšanas trose atvienojas no troses virzītāja uz roktura, atvienojiet un iezemējiet aizdedzes sveces vadu, nospiediet asmens kontroles rokturi un lēnām izvelciet iedarbināšanas trosi ārā no dzinēja. Ievietojiet iedarbināšanas trosi troses virzītāja skrūvē uz roktura.

Transportēšana

Izslēdziet dzinēju. Stumjot zāles plaujmašīnu pāri šķēršļiem, nesabojājiet asmeni.

15. PROBLĒMU NOVĒRŠANA

PROBLĒMA	IESPĒJAMĀIS CĒĻONIS	PROBLĒMAS NOVĒRŠANA
Dzinējs nesāk darboties	Drosejaizbīdnis neatrodas apstākļiem atbilstošā stāvoklī	Pārvietojiet drosejaizbīdni pareizā stāvoklī
	Degvielas tvertne ir tukša	Iepildiet tvertnē degvielu — skatiet DZINĒJA LIETOTĀJA ROKASGRĀMATU
	Gaisa filtra elements ir netīrs	Notīriet gaisa filtra elementu — skatiet DZINĒJA LIETOTĀJA ROKASGRĀMATU
	Aizdedzes svece ir vaļīga	Pieskrūvējiet aizdedzes sveci ar 25–30 Nm
	Aizdedzes sveces vads ir vaļīgs vai atvienojies no sveces	Pievienojiet aizdedzes sveces vadu pie aizdedzes sveces
	Aizdedzes sveces sprauga nav pareiza	Spraugu starp elektrodiem noregulējiet no 0,7 līdz 0,8 mm
	Aizdedzes svece ir bojāta	Uzstādiet jaunu sveci ar pareizu spraugas attālumu — skatiet DZINĒJA LIETOTĀJA ROKASGRĀMATU
	Karburatorā ir pārplūdusi degviela	Izņemiet gaisa filtra elementu un nepārtraukti velciet iedarbināšanas trosi, līdz karburators ir attīrīts; pēc tam atlieciet atpakaļ gaisa filtra elementu
	Bojāts aizdedzes modulis	Sazinieties ar servisa pārstāvi.
Dzinēju ir grūti iedarbināt, vai tas zaudē jaudu	Tvertnē ir netīrumi, ūdens vai sastāvējusies degviela	Izteciet degvielu un iztīriet tvertni. Piepildiet tvertni ar tīru, svaigu degvielu
	Degvielas tvertnes vāciņa ventilācijas atvere ir nosprostota	Iztīriet vai nomainiet degvielas tvertnes vāciņu
	Gaisa filtra elements ir netīrs	Notīriet gaisa filtra elementu
Dzinējs darbojas ar pārtraukumiem	Aizdedzes svece ir bojāta	Uzstādiet jaunu sveci ar pareizu spraugas attālumu — skatiet DZINĒJA LIETOTĀJA ROKASGRĀMATU
	Aizdedzes sveces sprauga nav pareiza	Spraugu starp elektrodiem noregulējiet no 0,7 līdz 0,8 mm
	Gaisa filtra elements ir netīrs	Notīriet gaisa filtra elementu — skatiet DZINĒJA LIETOTĀJA ROKASGRĀMATU
Vāji dzinēja tukšgaitas apgrīzieni	Gaisa filtra elements ir netīrs	Notīriet gaisa filtra elementu — skatiet DZINĒJA LIETOTĀJA ROKASGRĀMATU
	Vēdināšanas atveres dzinēja korpusā ir bloķētas	No atverēm notīriet netīrumus
	Dzesēšanas ribas un gaisa plūsmas ceļi zem dzinēja pūtējventilatora korpusa ir bloķēti	Notīriet netīrumus dzesēšanas ribās un gaisa plūsmas ceļos
Lielā ātrumā dzinējs pārlec	Spraugu starp aizdedzes sveces elektrodiem ir pārāk maza	Spraugu starp elektrodiem noregulējiet no 0,7 līdz 0,8 mm
Dzinējs pārkarst	Dzesēšanas gaisa plūsma ir sašaurināta	No atverēm korpusā, pūtējventilatora korpusā, gaisa plūsmas ceļiem iztīriet visus netīrumus
	Nepareiza aizdedzes svece	Dzinējam uzstādiet RJ19LMC aizdedzes sveci un dzesēšanas ribas
Pļaujmašīna neparasti vibrē	Pļaušanas mehānisms ir vaļīgs	Pieskrūvējiet asmeni
	Pļaušanas mehānisms nav balansēts	Balansējiet asmeni

16. GARANTĪJA

Šim izstrādājumam saskaņā ar normatīvajiem aktiem ir nodrošināta garantija 12 mēnešu periodam, sākot ar pirmā pircēja pirkuma veikšanas brīdi. Garantija ietver visus materiāla vai izstrādājuma defektus, taču tā neietver bojājumus normāla nodiluma daļām, piemēram, gultņiem, sukām, kabeļiem vai piederumiem, piemēram, urbjiem, urbju uzgaļiem, zāga asmeņiem u. c.; bojājumus vai defektus, kas rodas no nepareizas

lietošanas, negadījumiem vai pārveidojumiem; kā arī transportēšanas izdevumus.

Mēs paturam tiesības atteikt jebkuru prasību, kurai nav pirkuma pierādījuma, vai ir skaidri saprotams, ka izstrādājums nav bijis pareizi uzturēts. (Regulāri tīriet un apkopiet ventilācijas atveres un ogles sukas.) Saglabājiet pirkuma kvīti kā pierādījumu pirkuma datumam.

Izplatītājam jānodod neizjauktas darbarīks piemēroti notīrīts, tā oriģinālajā pušot-lietajā ietvarā, ja tāds ierīcei ir bijis, pievienojot pirkuma pierādījumu.

17. APKĀRTĒJĀS VIDES AIZSARDŽĪBA

Ja ierīci pēc ilgstošas kalpošanas nepieciešams nomainīt, neizmetiet to māsasaimniecības atkritumos, bet likvidējiet apkārtējai videi nekaitīgā veidā.

18. EK ATBILSTĪBAS DEKLARĀCIJA

(Tikai Eiropas valstīm)

**Uzņēmums „Makita Corporation”, kā atbildīgais
ražotājs paziņo, ka šāds „Makita” instruments:**

Darbarīka nosaukums: Benzīna zāles plaujmašīna
Modeļa Nr./ tips: PLM5120, PLM5121

Specifikācijas: skatiet sadaļā „4. TEHNISKIE DATI”

Ir sērijveida izstrādājums un

Atbilst šādām Eiropas Savienības Direktīvām:

2004/108/EK, 2006/42/EK,

2000/14/EK un 2005/88/EK

Un ražoti saskaņā ar šādiem standartiem vai
normatīvajiem dokumentiem:

EN ISO 14982, EN836

Tehnisko dokumentāciju uztur mūsu pilnvarotais pārstāvis
Eiropā:

Makita International Europe Ltd.

Michigan Drive, Tongwell,

Milton Keynes, Bucks MK15 8JD, Anglija

Atbilstības novērtējuma procedūra, ko nosaka Direktīva
2000/14/EK, veikta atbilstīgi V pielikumam.

Pilnvarotā iestāde:

TÜV SÜD Industrie Service GmbH

Westendstraße 199, 80686 München, Vācija

Identifikācijas numurs: 0036

Modelis PLM5120

Novērtētais skaņas jaudas līmenis: 92,3 dB (A)

Garantētais skaņas jaudas līmenis: 98 dB (A)

Modelis PLM5121

Novērtētais skaņas jaudas līmenis: 92,4 dB (A)

Garantētais skaņas jaudas līmenis: 98 dB (A)

30.11.2011



Tomojasu Kato

Direktors

Makita Corporation

3-11-8, Sumiyoshi-cho,

Anjo, Aichi, JAPAN

Bendrasis aprašymas

- | | | |
|--------------------------------|--------------------------------|------------------------------------|
| 1. Stabdžių valdymo rankena | 7. Kabelio laikiklis | 13. Alyvos pildymo angos dangtelis |
| 2. Viršutinė rankena | 8. Aukščio reguliavimo svirtis | 14. Starterio rankena |
| 3. Saviėigos valdymo rankena | 9. Plokštė | 15. Varžtas |
| 4. Droselinės sklendės svirtis | 10. Šoninė sklendė | 16. Poveržlė |
| 5. Trosu kreiptuvas | 11. Uždegimo žvakė | 17. Inžektorius |
| 6. Fiksavimo rankenėlė | 12. Degalų bako dangtelis | 18. Varžtas |

**ĮSPĖJIMAS**

Savo pačių saugumui prieš pradėdami naudoti šį naują prietaisą, atidžiai perskaitykite šią instrukciją. Nesilaikant šios instrukcijos, galima sunkiai susižeisti. Prieš pradėdami naudoti žoliapjovę, skirkite šiek tiek laiko susipažinti su ja.



Perspėjimas: Variklis labai įkaista.

1. ANT GAMINIO PAŽYMĖTI ŽENKLAI

Perskaitykite vartotojo vadovą.



Neleiskite artyn pašalinių asmenų.



Naudodami žoliapjovę, kreipkite daugiau dėmesio į rankas ir kojas, kad išvengtumėte susižeidimų.



Degalai yra degūs - saugokite nuo ugnies. Nepilkite degalų į veikiančią įrenginį.



Nuodingos išmetamosios dujos; nenaudokite uždaroje patalpose.



Pjaudami žolę, dėvėkite apsauginius akinius ir ausų kištukus.



Atlikdami remonto darbus, ištraukite uždegimo žvakę ir taisykite įrenginį, kaip nurodyta naudojimo instrukcijoje.

2. BENDROSIOS SAUGOS TAISYKLĖS

ĮSPĖJIMAS: Naudodami benzininius įrankius, visuomet laikykitės būtinų saugos priemonių, įskaitant toliau nurodytas, kad sumažintumėte sunkaus susižeidimo ir (arba) žalos įrenginiui pavojų. Prieš pradėdami naudoti šį gaminį, perskaitykite visą instrukciją ir išsaugokite ją, kad galėtumėte ją pasinaudoti vėliau.



ĮSPĖJIMAS: Šis įrenginys darbo metu sukuria elektromagnetinį lauką. Esant tam tikroms sąlygoms, šis laukas gali sutrikdyti aktyvių arba pasyvių medicininių implantų veikimą. Norint sumažinti sunkių arba mirtinų sužeidimų pavojų, rekomenduojame, kad asmenys, turintys medicininių implantų, prieš pradėdami naudoti šį įrenginį, pasitartų su savo fizioterapeutais ir medicininių implantų gamintojais.

Mokymas

- Atidžiai perskaitykite šią instrukciją. Nuodugniai susipažinkite su valdikliais ir kaip tinkamai naudoti šį įrenginį.
- Niekuomet neleiskite, kad šią žoliapjovę naudotų vaikai arba su šia instrukcija nesusipažinę žmonės. Operatoriaus amžius gali būti reglamentuojamas vietinių įstatymų.
- Niekuomet nepjaukite žolės, jei netoliese yra žmonių, ypač vaikų ar naminių gyvūnų.
- Prisiminkite, kad operatorius yra atsakingas už nelaimingus atsitikimus ar nelaimes, atsitikusias kitiems žmonėms arba jų turtui padarytą žalą.

Paruošimas

- Pjaudami žolę, visuomet avėkite tinkamą avalynę ir mūvėkite ilgas kelnes. Nenaudokite šio įrenginio būdami basi ar avėdami atvirus sandalus.
- Kruopščiai apžiūrėkite vietą, kurioje naudosite įrengimą, ir pašalinkite visus odoaktus, kuriuos mašina galėtų nusviesti.
- ĮSPĖJIMAS – Benzinai yra nepaprastai degūs.
 - Laikykite benziną talpose, skirtose specialiai šiam tikslui.

- Degalus į baką pilkite tik lauke ir, pildami degalus, nerūkykite.
- Degalų pilkite prieš užvesdami variklį. Niekuomet neatsukite degalų bako dangtelio ir nepilkite degalų, kai variklis veikia arba kai variklis yra įkaitęs.
- Išsipylus degalams, nebandykite užvesti variklio, tik patraukite mašiną šalin nuo degalų išsiliejimo vietos ir venkite sukurti kokį nors uždegimo šaltinį, kol degalų garai neišsisiklaidys.
- Saugiai užsukite visus degalų bako ir talpyklų dangtelius.
- Pakeiskite sugedusius slopintuvus.
- Prieš pradėdami naudoti žoliaplovę, visuomet apžiūrėkite ir patikrinkite, ar nesusidėvėję ar neapgadinti peiliai, peilių varžtai ir pjoviklio mechanizmas. Pakeiskite visus peilių ir varžtų kompleksus, ne tik susidėvėjusius ar apgadintus peilius ir varžtus, kad būtų išlaikyta pusiausvyra.

Naudojimas

- Nejunkite variklio uždaroje patalpoje, kuriose gali susikaupti pavojingų anglies viendeginio dujų.
- Žolę pjaukite tik dienos metu arba esant geram dirbtiniam apšvietimui.
- Jei įmanoma, venkite pjauti šlapią žolę.
- Dirbdami nuokalnėse, visada tvirtai stovėkite ant žemės.
- Vaikščiokite, o ne bėgiokite.
- Naudodami ratines rotacines mašinas, pjaukite žolę skersai nuokalnių; niekada nepjaukite aukštyr-žemyn.
- Keisdami kryptis nuokalnėse, būkite itin atsargūs.
- Nepjaukite žolės pernelyg stačiose nuokalnėse.
- Būkite itin atsargūs važiuodami atbuline eiga arba traukdami žoliaplovę link savęs.
- Sustabdykite peilį(-ius), jeigu žoliaplovę reikia paversti, kad ją galima būtų perkelti per žolę neapaugusius paviršius, ir gabenant žoliaplovę iš ir į žolės pjovimo vietą.
- Niekada neekspluatuokite žoliaplovės su pažeistais apsauginiais skydais arba be tinkamai sumontuotų saugos įtaisų, pavyzdžiui, kreiptuvų ir (arba) žolės gaudyklių.
- Nekeiskite variklio kontrolės regulatoriaus nustatymų ir neviršykite variklio apsuokų.
- Prieš užvesdami variklį, atjunkite visus peilius ir pavarų sankabas.
- Atsargiai užveskite variklį, kaip nurodyta instrukcijoje; pėdos turi būti pakankamu atstumu nuo peilio (-ių).
- Užvesdami variklį, nepaverskite žoliaplovės.
- Neužveskite variklio stovėdami priešais išmetimo lataką.
- Nekiškite rankų ar kojų artyn prie besisukančių dalių arba po jomis. Visada stovėkite atokiai nuo sniego išmetimo angos.
- Niekada nekelkite ir neneškite žoliaplovės, kai variklis veikia.
- Išjunkite variklį ir atjunkite uždegimo žvakės laidą; palaukite, kol visos judamosios dalys visiškai sustos ir, jei įkištas užvedimo raktelis, ištraukite jį:
 - prieš pradėdami valyti užsikimšimus ar prieš atkimšdami išmetimo lataką,
 - prieš atlikdami žoliaplovės patikrą, valymo arba remonto darbus.

- atsitrenkę į kokį nors daiktą. Prieš vėl užvesdami ir naudodami žoliaplovę, patikrinkite ją, ar nėra gedimų, ir, jei reikia, pataisykite.
- jeigu žoliaplovė pradeda nejprastai vibruoti (patikrinkite nedelsdami).
- Išjunkite variklį ir atjunkite uždegimo žvakės laidą; palaukite, kol visos judamosios dalys visiškai sustos ir, jei įkištas užvedimo raktelis, ištraukite jį:
 - jei tik paliekatė žoliaplovę be priežiūros.
 - prieš pripildami degalų.
- Sumažinkite droselinės sklendės atidarymo nustatymą variklio išlilimo metu, jei variklyje yra įrengtas išjungimo vožtuvas; pabaigę pjauti žolę, išjunkite degalų padavimą.

Techninė priežiūra ir įrenginio saugojimas

- Visos veržlės, varžtai ir sraigtai turi būti tvirtai prisukti, kad būtų užtikrintos saugios įrenginio darbo sąlygos.
- Niekuomet nelaikykite įrenginio, kurio bako yra benzino, patalpoje, kur degalų garai galėtų pasiekti atvirą liepsną ar kibirkštį.
- Prieš pastatydami mašiną bet kokioje uždaroje patalpoje, leiskite varikliui atšalti.
- Norint sumažinti gaisro pavojų, žoliaplovės variklyje, duslintuve, akumulatoriaus bloke ir benzino saugojimo vietoje neturi būti žolės, lapų ar pernelyg daug tepalo.
- Dažnai tikrinkite žolės gaudyklę, ar ji nesusidėvėjusi ir ar tinkamai veikia.
- Saugos sumetimais, pakeiskite susidėvėjusias ar apgadintas dalis.
- Jeigu reikia ištuštinti degalų baką, tai reikia daryti lauke.



ĮSPĖJIMAS: Nelieskite besisukančio peilio.



ĮSPĖJIMAS: Pilkite degalus gerai vėdinamoje vietoje, išjungę variklį.

3. DALIŲ APRAŠYMAS (1A ir 1B pav.)

Įskaitant

- A: uždegimo žvakės veržliaraktis
- B: išmetimo kanalas

4. TECHNINIAI DUOMENYS

Modelis	PLM5121	PLM5120
Variklio tipas	B&S675EX serija, ReadyStart, 126T	B&S625E serija, 122T
Savaeigis	Taip	Ne
Variklio tūris	190 cm ³	190 cm ³
Peilio plotis	510 mm	510 mm
Nominalinis greitis	2 800 /min	2 800 /min
Degalų bako talpa	1,0 L	1,0 L
Grynasis svoris	31,7 kg	28 kg
Aukščio reguliavimas:	25–70 mm, 5 nuostatos	
L _{pA} (SPL) vartotojo darbo vietoje (k = 3 dB (A))	79,2 dB (A)	78,9 dB (A)
Garantuotas garso galios lygis L _{WA}	98 dB (A)	98 dB (A)
Vibracijos emisijos dydis (k = 1,5 m/s ²)	2,305 m/s ²	2,056 m/s ²

5. MONTAVIMAS

5-1 SUDEDAMOS RANKENOS MONTAVIMAS

1. Fiksavimo rankenėlėmis pritvirtinkite apatinės rankenas prie įrenginio korpuso kaip parodyta. (2A pav., 2B pav., 2C pav., 2D pav.)
2. Sujunkite viršutinę ir apatinę rankenas, naudodami fiksavimo rankenėle. (2E pav., 2F pav., 2G pav.)
3. Pritvirtinkite kabelio laikiklį parodytoje padėtyje, tuomet pritvirtinkite kabelį. (2H pav.)

6. ŽOLĖS PJOVIMO AUKŠČIO REGULIAVIMAS

Patraukite išorėn, kad atkabinotumėte svirtį nuo krumpliaštiebio. Stumkite svirtį pirmyn arba atgal, kad nustatytumėte aukštį.

Aukštį (peilio atstumą nuo žemės paviršiaus) galima nustatyti nuo 25 mm (1 padėtis: žemiausia padėtis) iki 70 mm (5 padėtis: aukščiausia padėtis), į 5 aukščio padėtis. (3A pav., 3B pav.)

Prieš keisdami žolės pjovimo aukštį, išjunkite žoliapjovę ir atjunkite uždegimo žvakės laidą.



ISPĖJIMAS: Šį nustatymą galima atlikti tik tada, kai peilis nesisuka.

7. TINKAMO AUKŠČIO NUSTATYMAS (4A pav., 4B pav.)

1. Atlaisvinkite fiksavimo rankenėles, tvirtinančias apatinę rankeną; žr. 4A pav.
2. Žr. 4B pav.; stumkite apatinę rankeną aukštyn arba žemyn, kad nustatytumėte ją tinkamame aukštyje. Šios tipo žoliapjovėje yra 3 aukščio nustatymo padėties; esant 1 padėčiai, aukštis yra didžiausias, o esant 3 padėčiai, aukštis yra mažiausias.
3. Nustatykite tinkamą aukštį, tuomet užfiksuokite apatinę rankeną fiksavimo rankenėlėmis.



ISPĖJIMAS: Kairė ir dešinė apatinės rankenos pusės turi būti nustatytos vienodame aukštyje.

8. STARTERIO RANKENA (5 pav.)

Patraukite starterio rankeną nuo variklio link tros kreiptuvo.

9. „DU VIENAME“

9-1 ŠONINĖS SKLENDEŠ NUSTATYMAS ŽOLĖS IŠMETIMUI Į ŠONĄ

1. Pakelkite šoninę sklendę, kad žolė būtų išmetama į šoną. (6A pav.)
2. Sumontuokite šoninio žolės išmetimo kreiptuvą ant atraminio šoninės sklendės kaiščio. (6A pav., 6B pav.)
3. Nuleiskite šoninę sklendę – sklendę guli ant išmetimo kanalo. (6C pav.)



Tik tada, kai variklis ir pjoviklis nejudą!

9-2 MULČIUOJANTI ŽOLIAPJOVĖ

Kas yra mulčiavimas?

Mulčiuojant, žolė nupjaunama vieno darbo erapo metu, tuomet sukupojama ir išmetama ant nupjauto žolės ruožo kaip natūralios trąšos.

Patarimai dėl mulčiavimo:

- Reguliariai pjaukite žolę, pasirinkdami vis priešingą judėjimo kryptį, maks. po 2 cm, kai žolė yra 6 cm - 4 cm aukščio.
- Naudokite aštrų pjovimo peilį.
- Nepjaukite lapios ols
- Nustatykite maks. variklio apsukas
- Judėkite tik darbuvi tinkamu tempu
- Reguliariai valykite mulčiavimo pleišta, korpuso vidų ir pjovimo peilį



ĮSPĖJIMAS: tik išjungus variklį ir sustojus pjovimo mechanizmui.

1. Pakelkite šoninę sklendę ir nuimkite išmetimo kanalą. (**7A pav., 7B pav.**)
 - Šoninės sklendės spyruoklės jėga automatiškai uždaro korpuse esančią išmetimo angą.
 - Reguliariai valykite šoninę sklendę ir išmetimo angą, kad jose nebūtų žolės likučių ir prilipusio purvo.

10. NAUDOJIMO INSTRUKCIJA

10-1 PRIEŠ PRADEDANT DARBĄ

Atlikite variklio, kuriame yra benzino ir alyvos, remonto darbus, kaip nurodyta atskiroje variklio naudojimo instrukcijoje, pateiktoje su šia žoliapjove. Atidžiai perskaitykite instrukciją.



ĮSPĖJIMAS: Benzinas yra nepaprastai degus.

Laikykite benzina talpose, skirtose specialiai šiam tikslui. Pilkite degalus tik lauke, prieš užvesdami variklį ir, pildami degalus arba juos tvarkydami, nerūkykite. Niekuomet neatsukite degalų bako dangtelio ir nepilkite degalų, kai variklis veikia arba kai variklis yra įkaitęs. Išsipylus degalams, nebandykite užvesti variklio, tik patraukite mašiną šalin nuo degalų išsiliejimo vietos ir venkite sukurti kokių nors uždegimo šaltinį, kol degalų garai neišsisklaidys. Saugiai užsukite visus degalų bako ir talpyklų dangtelius. Prieš paversdami žoliapjovę, norėdami atlikti peilio techninę priežiūrą arba išleisti alyvą, išleiskite degalus iš bako.



ĮSPĖJIMAS: niekada nepildykite bako patalpose, varikliui veikiant, arba po naudojimo nepalaukę bent 15 minučių, kol variklis atvės.

10-2 VARIKLIO UVEDIMAS IR PEILIO JUNGIMAS

1. Įrenginyje ant uždegimo žvakės galo uždėta guminė mova; būtina įsitikinkite, kad uždegimo žvakės laido gale esanti metalinė kilpelė (guminės movos viduje) būtų saugiai uždėta ant uždegimo žvakės metalinio galuko.
- 2.1. Modeliui PLM5121:
Užvesdami šaltą arba šiltą variklį, nustatykite droselinės sklendės svirtį į bet kurią padėtį, nuo padėties „☁“ iki padėties „☁☁“. Dirbdami, nustatykite droselinės sklendės svirtį į padėtį „☁☁“. (**8B pav.**)
- 2.2. Modeliui PLM5120:
Jeigu užvedate šaltą variklį, prieš tai 3–5 kartus paspauskite inžektoriaus mygtuką, o droselinės sklendės svirtį nustatykite į padėtį „☁“.
Užvesdami ir naudodami šiltą variklį, nustatykite droselinės sklendės svirtį į padėtį „☁☁“. (**8A pav., 8B pav.**)

3. Stovėdami už įrenginio, suimkite už stabdžių valdymo rankenos ir laikykite ją prispaudę prieš viršutinės rankenos, kaip parodyta **8C pav.**

4. Paimkite už starterio rankenos kaip parodyta **8C pav.** ir ištraukite ją staigiu judesiu. Varikliui užsivedus, lėtai sugrąžinkite ir užfiksukite ją ant troso kreiptuvo varžto.
Norėdami išjungti variklį ir peilį, atleiskite stabdžių valdymo rankeną. (**8D pav.**)



Atsargiai užveskite variklį, kaip nurodyta instrukcijoje; pėdos turi būti pakankamu atstumu nuo peilio.



Užvesdami variklį, nepaverskite žoliapjovės. Užveskite žoliapjovę ant lygaus paviršiaus, kur nėra žolės ar kokių nors kliūčių.



Laikykite pėdas ir rankas atokiai nuo besisukančių dalių. Neužveskite variklio stovėdami priešais išmetimo lataką angą.

10-3 DARBO EIGA

Dirbdami, tvirtai laikykite stabdžių valdymo rankeną abejomis rankomis.



PASTABA: Darbo metu atleidus stabdžių valdymo rankeną, variklis bus išjungtas ir todėl žoliapjovė neveiks.

10-4 VARIKLIO IŠJUNGIMAS



PERSPĖJIMAS: Išjungus variklį, peilis dar kelias sekundes sukasi.

1. Norėdami išjungti variklį ir peilį, atleiskite stabdžių valdymo rankeną.
2. Atjunkite ir įžeminkite uždegimo žvakės laidą, kaip nurodyta atskiroje variklio naudojimo instrukcijoje, kad išvengtumėte atsitiktinio užvedimo palikus įrenginį be priežiūros.

10-5 AUTOMATINĖS EIGOS ĮJUNGIMAS

Modeliui PLM5121

Paimkite už savieigos valdymo rankenos; žoliapjovė automatiškai ims judėti į priekį maždaug 3,6 km/s greičiu (**9 pav.**); atleidus savieigos rankeną, žoliapjovė sustos.



PERSPĖJIMAS: Ši žoliapjovė skirta pjauti įprastą veją prie namų, kuri yra ne aukštesnė nei 250 mm. Nemėginkite ja pjauti neįprastai aukštos, išdžiūvusios ar šlapios žolės (pvz., ganyklose) ir nesmulkinkite ja sausų lapų krūvų. Ant žoliapjovės dugno gali susikaupti purvo arba ju gali patekti į išmetimo vamzdį, o tai gali sukelti gaisrą.

10-6 KĄ DARYTI, KAD ŽOLĖ BŪTŲ PJAUNAMA GERIAUSIAI

Surinkite nuo vejos šiukšles. Įsitinkinkite, ar ant vejos nėra akmenų, pagalių, laidų ar kitų pašalinių daiktų, kuriuos žoliapjovė gali netyčia pagriebti bei sviesti bet kuria kryptimi ir sukelti sunkių operatoriaus ar kitų asmenų sužeidimų bei padaryti žalos turtui ir aplinkiniams objektams. Nepjaukite šlapios žolės. Norėdami, kad žolė būtų pjaunama veiksmingai, nepjaukite šlapios žolės, nes ji prilimpa prie dugno apačios ir susmulkinta žolė pjaunama netinkamai. Pjaukite ne daugiau nei 1/3 žolės ilgio. Rekomenduojamas žolės pjovimo aukštis – 1/3 žolės ilgio. Reikia pasirinkti tinkamą važiavimo greitį, kad susmulkinta žolė būtų tolygiai paskaidžiama po veją. Esant itin sudėtingoms pjovimo sąlygoms ir tankiai žolei, norint gražiai nupjauti žolę, gali tekti pasirinkti mažiausią važiavimo greitį. Pjaunant aukštą žolę, veją gali tekti pjauti per du kartus, antrą pjovimo metu nuleidžiant peilį dar 1/3 aukščio, ir, galbūt, pjauti priešinga pirmam pjovimui kryptimi. Užgriebiant šiek tiek nupjauto ruožo, taip pat galima švariau nupjauti bet kokius likusius nenupjautos vejos kuokštelius. Norint geriausiai nupjauti žolę, žoliapjovę visuomet reikia naudoti nustačius maksimalias variklio apsakas. Nuvalykite dugno apačią. Po kiekvieno apnaudojimo būtina nuvalykite pjovimo dugno apačią, kad ant jo nesusikaupytų žolė, kuri neleis tinkamai atlikti mulčiavimo. Lapų mulčiavimas. Veja gali būti tręšiama mulčiuojant ir lapus. Mulčiuodami lapus, įsitinkinkite, kad jie yra sausi ir nesukritę ant vejos pernelyg storu sluoksniu. Norėdami mulčiuoti, nelaukite, kol nuo medžių nukris visi lapai.



ĮSPĖJIMAS: Atsitraukę į kokį nors pašalinį daiktą, išjunkite variklį. Ištraukite uždegimo žvakę, kruopščiai patikrinkite žoliapjovę, ar nėra pažeidimų, ir, jei reikia, pataisykite juos prieš vėl užvesdami ir naudodami žoliapjovę. Pernelyg stipri žoliapjovės vibracija darbo metu rodo gedimą. Įrenginį reikia skubiai patikrinti ir pataisyti.

10-7 DUGNAS

Po kiekvieno panaudojimo privaloma nuvalyti žoliapjovę dugno apačią, kad ant jos nesikaupytų susmulkinta žolė, lapai, purvas ar kitos medžiagos. Jeigu ant dugno susikaups purvo, jis sąlygos rūdžių atsiradimą ir koroziją; be to, jis trukdys tinkamai atlikti mulčiavimą. Dugną galima nuvalyti pakreipus žoliapjovę ir nugrاندžius apačią tinkamu įrankiu (tuo metu uždegimo žvakė būtina turi būti atjungta).

11. TECHNINĖS PRIEŽIŪROS INSTRUKCIJA

UŽDEGIMO ŽVAKĖ

Pakeitimui naudokite tik originalią uždegimo žvakę. Norėdami užtikrinti geriausią darbą, keiskite uždegimo žvakę kas 100 darbo valandų.

12. TEPIMO INSTRUKCIJA



PERSPĖJIMAS: ATJUNKITE UŽDEGIMO ŽVAKĘ, PRIEŠ ATLIKdami TECHNINĖS PRIEŽIŪROS DARBUS.

1. RATAI-Patepkite kiekvieno rato rutulinius guolius neklampia alyva bent kartą per sezoną.
2. VARIKLIS-Vadovaukitės variklio naudojimo instrukcija, kaip atlikti variklio tepimą.
3. PEILIŲ VALDIKLIS-Patepkite sukamuosius peilio valdiklio rankenos taškus ir stabdliko kabelį neklampia alyva bent kartą per sezoną. Peilio valdiklį turi būti lengva pasukti abejomis kryptimis.

13. VALYMAS



PERSPĖJIMAS: Neplaukite variklio vadens žarna. Vanduo gali pažeisti variklį arba užteršti degalų sistemą.

1. Nušluostykite dugną sausu skudurėliu.
2. Nuplaukite dugną, pakreipę žoliapjovę taip, kad uždegimo žvakė būtų viršuje.

13-1 VARIKLIO ORO FILTRAS



PERSPĖJIMAS: Neleiskite, kad purvas ar dulksės užkimštų oro filtro poroloninį elementą. Variklio oro filtro elementą reikia techniškai prižiūrėti (išvalyti) kas 25 darbo valandas. Jeigu žoliapjovė naudojama esant sauso oro sąlygoms, kuomet kyla daug dulkių, poroloninį elementą reikia valyti reguliariai. (Žr. VARIKLIO NAUDOJIMO INSTRUKCIJĄ)

NORĖDAMI IŠVALYTI ORO FILTRĄ

1. Atsukite varžtą. (10A pav., 10B pav.)
 2. Nuimkite dangtį.
 3. Išplaukite filtro elementą muiluotame vandenyje.
- NENAUDOKITE BENZINO!**
4. Palaukite, kol oro filtro elementas išdžius.
 5. Užlašinkite ant poroloninio filtro kelis lašus alyvos SAE30; stipriai suspauskite jį, kad pašalintumėte alyvos perteklių.
 6. Vėl sumontuokite filtrą.



PASTABA: Jeigu filtras nusidėvėjęs, suplėšytas arba jo neįmanoma išvalyti, pakeiskite jį nauju.

13-2 PJOVIMO PEILIS



PERSPĖJIMAS: Būtinai atjunkite ir įžeminkite uždegimo žvakės laidą, prieš taisydami pjovimo peilį, kad variklis nebūtų atsitiktinai užvestas. Norėdami suimti peilius, būtinai dėvėkite pirštines arba naudokite skudurėlį. Paverskite žoliapjovę, kaip nurodyta atskiroje variklio naudojimo instrukcijoje. Nuimkite šešiakampį varžtą ir poveržlę, tvirtinančius peilį ir peilio adapterį ant variklio alkūninio veleno. Nuimkite peilį ir jo adapterį nuo alkūninio veleno.



ISPĖJIMAS: Reguliariai tikrinkite peilio adapterį, ar jis neįskilęs, ypač atsirenkę į kokį nors pašalinį daiktą. Jei reikia, pakeiskite jį.

Norint pasiekti geriausių rezultatų, peilis turi būti aštrus. Peilį galima nuimti ir pagalašti jį šlifavimo staklėmis arba dilde, kiek įmanoma išlaikant originalų ašmenų nuožambio kampą. Labai svarbu, kad kiekvienas peilio pjovimo kraštas būtų nugalastas vienodai, kad peilis nebūtų išbalansuotas. Netinkamas peilio balansavimas sukels pernelyg didelę vibraciją, kuri sugadins variklį ir žoliapjovę. Pagalandę, būtinai tinkamai subalansuokite peilį. Peilio balansą galima patikrinti užmovus jį ant apvalaus atsuktuvo galo. Galąskite sunkesnią peilio pusę tol, kol peilis bus tinkamai subalansuotas.

Prieš vėl sumontuodami peilį ir jo adapterį ant įrenginio, patepkite variklio alkūninį veleną ir vidinį peilio adapterio paviršių neklampia alyva. Sumontuokite peilio adapterį ant variklio alkūninio veleno. Žr. **11 pav.** Užmaukite peilį taip, kad jo dalies numeris nebūtų nukreiptas į adapterį. Uždėkite ant peilio poveržę ir įkiškite šešiakampį varžtą. Priveržkite šešiakampį varžtą, naudodami toliau nurodytą sukimo momentą:

13-3 SUKIMO MOMENTAS MONTUOJANT PEILĮ

Sucentruokite varžtą ir priveržkite jį 40Nm–50Nm jėga, kad būtų užtikrintas saugus įrenginio darbas. Būtina reguliariai tikrinti VISAS veržles ir varžtus, ar jie tinkamai priveržti.

Ilgai naudojant įrenginį, ypač smėlėtose vietovėse, peilis nusidėvi ir praranda savo originalią formą. Todėl pjovimo veiksmingumas sumažėja ir peilį reikia pakeisti. Pakeiskite seną peilį tik patvirtintu, originaliu peiliu. Gamintojas neatsako už žalą, patirtą naudojant nesubalansuotą peilį.

Keisdami peilį, privalote naudoti originalų peilį (MAKITA 263001826) (norėdami užsakyti peilį, kreipkitės į vietos atstovą arba skambinkite mūsų bendrovei).



ISPĖJIMAS: Nelieskite besisukančio peilio.

13-4 VARIKLIS

Variklio techninės priežiūros instrukciją žr. atskirtą variklio naudojimo instrukciją.

Tikrinkite variklio alyvą, kaip nurodyta atskiroje variklio naudojimo instrukcijoje, pateiktoje su šia žoliapjove. Atidžiai perskaitykite ir vadovaukitės instrukcija.

Esant įprastoms darbo sąlygoms, valykite oro filtrą, kaip nurodyta atskiroje variklio naudojimo instrukcijoje.

Kylant nepaprastai daug dulkių, valykite filtrą kas kelias darbo valandas. Prastas variklio veikimas ir užliejimas paprastai reiškia, kad reikia išvalyti oro filtrą.

Norėdami išvalyti oro filtrą, žr. atskirtą variklio naudojimo instrukciją, pateiktą kartu su šiuo įrenginiu.

Kartą per sezoną reikia nuvalyti uždegimo žvakę ir pareguliuoti tarpelį tarp žvakės ir kontakto. Sezono pradžioje rekomenduojama pakeisti uždegimo žvakę; žr. variklio naudojimo instrukciją, kurioje nurodyti techniniai duomenys apie tinkamą uždegimo žvakės tipą ir tarpelį. Reguliariai nuvalykite variklį skuduru arba šepėčiu. Aušinimo sistema (ventiliatoriaus korpuso sritys) turi būti

švari, kad būtų užtikrinta tinkama oro cirkuliacija, kuri yra būtina, kad variklis tinkamai veiktų ir ilgai tarnautų. Būtinai nuvalykite nuo duslintuvo žolę, purvą ir degias šiukšles.

14. SAUGOJIMO INSTRUKCIJA (NE SEZONO METU)

Norint paruošti žoliapjovę saugojimui, reikia atlikti šiuos veiksmus:

1. Sezonui pasibaigus, paskutinį kartą panaudoję įrenginį, ištuštinkite jo baką.
 - a) Ištraukite benzinaį iš bako, naudodami siurbimo pompą.
 - b) Užveskite variklį ir palikite jį veikti tol, kol bus išseiktas visas likęs benzinas ir variklis užges.
 - c) Išsukite uždegimo žvakę. Naudodami rankinę tepalinę, pripilkite į degimo kamerą maždaug 20 ml alyvos. Kelis kartus patraukite už starterio rankenos, kad alyva tolygiai pasiskirstytų degimo kameroje. Pakeiskite uždegimo žvakę.
2. Kruopščiai nuvalykite ir patepkite žoliapjovę, kaip aprašyta pirmiau esančiame skyriuje „Tepimas“.
3. Šiek tiek patepkite pjoviklį, kad jis nesurūdytų.
4. Žoliapjovę laikykite sausoje, švarioje, nuo šalčio apsaugotoje, rakinamoje patalpoje.



PERSPĖJIMAS: Nebandykite tuštinti benzino bako uždaroje patalpoje, šalia ugnies ir pan. Nerūkykite! Benzino garai gali sukelti sprogimą arba gaisrą.

- b) Užveskite variklį ir palikite jį veikti tol, kol bus išseiktas visas likęs benzinas ir variklis užges.
- c) Išsukite uždegimo žvakę. Naudodami rankinę tepalinę, pripilkite į degimo kamerą maždaug 20 ml alyvos. Kelis kartus patraukite už starterio rankenos, kad alyva tolygiai pasiskirstytų degimo kameroje. Pakeiskite uždegimo žvakę.

2. Kruopščiai nuvalykite ir patepkite žoliapjovę, kaip aprašyta pirmiau esančiame skyriuje „Tepimas“.
3. Šiek tiek patepkite pjoviklį, kad jis nesurūdytų.
4. Žoliapjovę laikykite sausoje, švarioje, nuo šalčio apsaugotoje, rakinamoje patalpoje.



PERSPĖJIMAS: Prieš pastatant žoliapjovę į vietą, ji privalo būti visiškai atvėsusi.



PASTABA:

- Laikant bet kokį elektrinį įrenginį nevedinamoje patalpoje arba medžiagų sandėlyje, reikia pasirūpinti, kad įrenginys būtų apsaugotas nuo rūdžių. Patepkite įrenginį, ypač kabelius ir visas judamąsias dalis neklampia alyva arba silikonu.
- Būkite atsargūs, kad nesulenktumėte arba nesuraizgtumėte laidų.
- Jeigu starterio lynas atsikabintų nuo tros kreiptuvo, esančio ant rankenos, atjunkite ir įžeminkite uždegimo žvakės laidą, nuspauskite peilio valdymo rankeną ir lėtai ištraukite starterio trosą iš variklio. Užmaukite starterio trosą ant tros kreiptuvo varžto, esančio ant rankenos.

Gabenimas

Išjunkite variklį. Stumdami žoliapjovę pro kliūtis, būkite atsargūs, kad nesulankstytumėte ir nepažeistumėte pjoviklio.

15. GEDIMŲ LOKALIZAVIMAS

PROBLEMA	GALIMA PRIEŽASTIS	ATITAIŠYMAS
Variklis neužsiveda.	Netinkamas droselinės sklendės nustatymas pagal esamas darbo sąlygas.	Nustatykite droselinę sklendę į tinkamą padėtį.
	Tuščias degalų bakas.	Pripilkite baką degalų: žr. VARIKLIO NAUDOJIMO INSTRUKCIJĄ.
	Nešvarus oro filtro elementas.	Išvalykite oro filtro elementą: žr. VARIKLIO NAUDOJIMO INSTRUKCIJĄ.
	Atsilaisvino uždegimo žvakė.	Priveržkite uždegimo žvakę, naudodami 25–30 Nm sukimo momentą.
	Atsilaisvimo arba nukrito uždegimo žvakės laidas.	Uždėkite uždegimo žvakės laidą ant uždegimo žvakės.
	Netinkamas uždegimo žvakės tarpelis.	Tarp elektrodų turi būti 0,7–0,8 mm tarpelis.
	Sudegė uždegimo žvakė.	Sumontuokite naują uždegimo žvakę, tinkamai nustatydami tarpelį tarp elektrodų: žr. VARIKLIO NAUDOJIMO INSTRUKCIJĄ.
	Karbiuratorius užpildytas degalais.	Išimkite oro filtro elementą ir be perstojo traukite už startelio trosą, kol karbiuratorius bus išvalytas, tuomet vėl sumontuokite oro filtro elementą.
	Sugedęs uždegimo modulis.	Kreipkitės į techninio aptarnavimo centrą.
Sunku užvesti variklį arba variklis netenka galios.	Užterštas degalų bakas, bako yra vandens arba degalų nuosėdų.	Išleiskite iš bako degalus ir išvalykite baką. Į degalų baką pripilkite švarius degalus.
	Užsikimšo degalų bako dangtelyje esanti ventiliacijos anga.	Išvalykite arba pakeiskite degalų bako dangtelį.
	Nešvarus oro filtro elementas.	Išvalykite oro filtro elementą.
Variklis veikia netvarkingai.	Sudegė uždegimo žvakė.	Sumontuokite naują uždegimo žvakę, tinkamai nustatydami tarpelį tarp elektrodų: žr. VARIKLIO NAUDOJIMO INSTRUKCIJĄ.
	Netinkamas uždegimo žvakės tarpelis.	Tarp elektrodų turi būti 0,7–0,8 mm tarpelis.
	Nešvarus oro filtro elementas.	Išvalykite oro filtro elementą: žr. VARIKLIO NAUDOJIMO INSTRUKCIJĄ.
Variklis prastai veikia be apkrovų.	Nešvarus oro filtro elementas.	Išvalykite oro filtro elementą: žr. VARIKLIO NAUDOJIMO INSTRUKCIJĄ.
	Užsikimšo variklio gaubte esančio ventiliacijos angos.	Išvalykite angose susikaupusį purvą.
	Užsikimšo variklio aušinimo briaunos ir oro kanalai, esantys po variklio ventiliatoriaus korpusu.	Nuvalykite purvą nuo aušinimo briaunų ir išvalykite oro kanalus.
Esant didelėms apsvokoms, variklis netolygiai veikia.	Per mažas tarpelis tarp uždegimo žvakės elektrodų.	Tarp elektrodų turi būti 0,7–0,8 mm tarpelis.
Perkaista variklis:	Sutrikęs aušinimo oro srautas.	Išvalykite purvą iš gaubte esančių angų, nuo ventiliatoriaus korpuso, oro kanalų.
	Netinkama uždegimo žvakė.	Sumontuokite uždegimo žvakę RJ19LMC ir aušinimo briaunas ant variklio.
Žoliapjovė neįprastai vibruoja.	Atsilaisvino pjovimo mechanizmas.	Priveržkite peilį.
	Nesubalansuotas pjovimo mechanizmas.	Subalansuokite peilį.

16. GARANTIJA

Pagal teisinius reglamentus šiam gaminiui suteikiama 12 mėnesių garantija, kuri įsigalioja nuo pirkimo datos, kai ji įsigyja pirmasis vartotojas.

Šis garantija taikoma visoms medžiagoms arba gamybos defektams, išskyrus dalis, sugedusias dėl įprasto nusidėvėjimo, pavyzdžiui, guolius, šepetėlius, kabelius, kištukus arba tokius priedus kaip gražtai, gražtų galvutės, pjovimo diskai ir pan...; ši garantija negalioja žalai arba defektams dėl netinkamo naudojimo, nelaimingų

atsitikimų arba bandymų keisti gaminio konstrukciją; gabenimo išlaidos nepadengiamos.
Mes pasiliegame teisę atmesti bet kokius ieškinius, jeigu neįmanoma patvirtinti gaminio pirkimo arba kai akivaizdu, jog gaminys nebuvo tinkamai techniškai prižiūrimas. (Reguliariai valykite ventiliacijos angas ir tikrinkite anglinius šepetėlius.)

Privaloma išsaugoti pirkimo čekį kaip pirkimo datos įrodymą.

Neišardytas įrankis privalo būti gražintas atstovui priimtinai švarus, originaliame išlietame dėkle, jeigu įrenginys buvo jame pristatytas, pateikiant pirkimo įrodymą.

Modelis: PLM5121

Nustatytas garso galios lygis: 92,4 dB (A)
Garantuotas garso galios lygis: 98 dB (A)

30.11.2011



Tomoyasu Kato
Direktorius
„Makita Corporation“
3-11-8, Sumiyoshi-cho,
Anjo, Aichi, JAPAN

17. APLINKA

Jeigu po ilgo naudojimo seną įrenginį reikėtų pakeisti nauju, neišmeskite jo kartu su buitinėmis atliekomis; nuvežkite jį į atitinkamą atliekų surinkimo ir perdavimo punktą.

18. EB ATITIKTIES DEKLARACIJA

(Tik Europos šalims)

Mes, bendrovė „Makita Corporation“, būdami atsakingas gamintojas, pareiškiame, kad šis „Makita“ įrenginys (-iai):

Mechanizmo paskirtis: Benzininė žoliapjovė

Modelio Nr./ tipas: PLM5120, PLM5121

Specifikacijos: Žr. skyrių „4. TECHINIAI DUOMENYS“

yra serijinis gaminys ir

atitinka šias Europos direktyvas:

2004/108/EB, 2006/42/EB,

2000/14/EB ir 2005/88/EB

ir yra pagaminti pagal šiuos standartus arba

normatyvinius dokumentus:

EN ISO 14982, EN836

Techninė dokumentacija saugomas pas mūsų įgaliotąjį

atstovą Europoje, kuris yra adresu:

Makita International Europe Ltd.

Michigan Drive, Tongwell,

Milton Keynes, Bucks MK15 8JD, England (Anglija)

Atitikties įvertinimo procedūra, būtina pagal Tarybos

Direktyvą 2000/14/EB, atlikta atsižvelgiant į V priedą.

Paskelbtoji įstaiga:

TÜV SÜD Industrie Service GmbH

Westendstraße 199, 80686 München, Deutschland

(Vokietija)

Identifikacijos numeris: 0036

Modelis: PLM5120

Nustatytas garso galios lygis: 92,3 dB (A)

Garantuotas garso galios lygis: 98 dB (A)

- | | | |
|--------------------------|-----------------------------|----------------------------|
| 1. Turvapiduri hoob | 7. Kaabliklamber | 13. Õli täiteava kork |
| 2. Käepideme ülemine osa | 8. Kõrguse reguleerimishoob | 14. Starteri nõõri käepide |
| 3. Vabajooksu hoob | 9. Korpus | 15. Polt |
| 4. Õhuklapi hoob | 10. Kõigklapp | 16. Seib |
| 5. Nõõri juhik | 11. Süüteküünal | 17. Täitepumba nupp |
| 6. Lukustusnupp | 12. Kütusepaagi kork | 18. Kruvi |

**HOIATUS:**

Lugege käesolev kasutusjuhend iseenda ohutuse tagamiseks enne niiduki kasutamist läbi. Juhiste eiramine võib põhjustada tõsise kehavigastuse. Iga kord, kui hakkate niiduki kasutama, kulutage kõigepealt mõned minutid sellega tutvumiseks.



Ettevaatust: Mootor on kuum.

1. MURUNIIDUKIL OLEVAD SÜMBOLID

Lugege kasutusjuhendit.



Hoidke kõrvalseisjad eemal.



Pöörake töötamise ajal rohkem tähelepanu oma kätele ja jalgadele, et vältida kehavigastusi.



Kütus on tuleohtlik, hoidke tuli sellest eemal. Ärge lisage kütust sel ajal, kui mootor töötab.



Mürgised aarud: ärge käitage mootorit siseruumides.



Palun kandke niitmise ajal kaitseprille ja kõrvaklappe.



Eemaldage süüteküünla piip enne niiduki parandustööde teostamist. Seejärel remontige niiduki vastavalt kasutusjuhendile.

2. PÕHILISED OHUTUSNÕUDED**HOIATUS:** Bensiinimootoriga seadmeid

kasutades tuleb alati järgida peamisi ettevaatusabinõusid, et vähendada tõsise kehavigastuse tekke ja/või seadme kahjustamise ohtu. Lugege kasutusjuhend enne niiduki kasutamist tähelepanelikult läbi ja hoidke see alles, et saaksite seda vajadusel uuesti lugeda.

**HOIATUS:** See masin tekitab töötamise ajal

elektromagnetilise välja. Mõningatel juhtudel võib see väli mõjutada aktiivseid või passiivseid meditsiinilisi implantaate. Soovitame meditsiiniliste implantaatidega isikutel enne antud masina kasutamist pidada tõsise või eluohtliku vigastuse vältimiseks nõu arsti ja meditsiinilise implantaadi tootjaga.

Väljaõpe

- Lugege tähelepanelikult juhiseid. Õppige põhjalikult tundma seadme juhtimiseseid ja niiduki õiget kasutamist.
- Mitte mingil juhul ärge lubage muruniiduki kasutada lastel ega isikutel, kes pole tutvunud käesoleva kasutusjuhendiga. Kohalikud määrused võivad seada piiranguid kasutaja vanusele.
- Ärge kunagi niitke siis, kui läheduses viibivad inimesed (eriti lapsed) või lemmikloomad.
- Pidage meeles, et muruniiduki omanik või kasutaja vastutab teistele isikutele põhjustatud vigastuste või nende varale tekitatud kahjustuste eest.

Ettevalmistus

- Kandke niitmise ajal alati tugevaid jalatseid ja pikki pükse. Ärge töötage niidukiga, kui olete paljajalu või kannate lahtisi sandaale.
- Kontrollige hoolikalt niidetavat ala ja eemaldage sealt kõik esemed, mis võivad niidukile ette jäädes eemalde paiskuda.
- HOIATUS!** Bensiin on väga tuleohtlik.
 - Hoidke kütust selleks ettenähtud mahutites.
 - Lisage kütust ainult välistingimustes ja ärge suitsetage samal ajal.

- Lisage küüst enne mootori käivitamist. Ärge eemaldage küüstepaagilt korki ega lisage sinna küüst, kui mootor töötab või on kuum.
- Kui olete bensini maha loksutanud, siis ärge püüdke mootorit käivitada, vaid viige niiduk sellest piirkonnast eemale ja vältige enne bensiniaurude hajumist kõrvõimalikke süttimiskohti.
- Keerake küüstepaagi ja -mahuti korgid tugevasti kinni.
- Vahetage kahjustunud summutid välja.
- Kontrollige alati enne kasutamist, kas lõiketera, lõiketera poldid ja niiduki korpus pole kulunud või vigastatud. Asendage kulunud või kahjustunud terad ja poldid komplektina välja, et tagada niiduki ühtlane kulumine.

Kasutamine

- Ärge käitage mootorit kinnises ruumis, kuhu võivad koguneda mürgised süsinikmonoksiidi (vingugaas) aarud.
- Niitke ainult päevavalguses või hea tehisvalgustuse korral.
- Võimaluse korral vältige märja muru niitmist.
- Jälgige kallakutel alati, et teil oleks kindel jalgealune.
- Kõndige, ärge jookskes.
- Edasiveoga niidukite puhul niitke kallakutel ristisuunas, mitte kunagi üles-alla suunas.
- Olge kallakutel liikumissuunda muutes äärmiselt ettevaatlik.
- Ärge niitke liiga järskudel kallakutel.
- Olge tagurdamisel või muruniiduki enda poole tõmbamisel äärmiselt ettevaatlik.
- Seisake lõiketera(d), kui muruniidukit tuleb mootori töötamise ajal kallutada, et liikuda üle alade, mis ei ole muruga kaetud, ning siis, kui viite muruniidukit niitmisalale või sealt ära.
- Ärge mitte mingil juhul kasutage muruniidukit, mille kaitsekatted on vigastatud või millel puuduvad ohutusseadised (nt suunaja ja/või rohkoguja peavad olema õigesti paigaldatud).
- Ärge muutke mootori pöörde regulaatori seadistust ning ärge ületage mootori maksimaalselt lubatud pöördeid.
- Vabastage enne niiduki käivitamist kõik lõiketerad ja ajami sidurid.
- Käivitage mootor vastavalt juhistele, hoides jalgu lõiketerast (lõiketeradest) ohutus kauguses.
- Ärge kallutage muruniidukit mootori käivitamise ajal.
- Ärge seisake mootori käivitamise ajal väljaviskerenni ees.
- Ärge pange käsi ja jalgu pöörlevate osade lähedale ega nende alla. Hoidke väljaviskeava alati takistustest puhtana.
- Mitte mingil juhul ärge tõstke ega kandke muruniidukit sel ajal, kui mootor töötab.
- Seisake mootor ja ühendage süüteküünla juhe lahti; veenduge, et kõik liikuvad osad on täielikult seiskunud; ja eemaldage mutrivõti, kui see on niiduki küljes:
 - Enne takistuste eemaldamist muruniidukist või ummistuste kõrvaldamist väljaviskerennist.
 - Enne kontrollimist, puhastamist või mis tahes muude tööde teostamist muruniidukil.
 - Pärast pörkimist vastu võrkeha. Kontrollige, et muruniiduk ei oleks kahjustunud. Teostage enne

niiduki käivitamist ja niitma hakkamist vajalikud parandustööd.

- Kui muruniiduk hakkab ebatavaliselt vibreerima (kontrollige kohe).
- Seisake mootor ja ühendage süüteküünla juhe lahti; veenduge, et kõik liikuvad osad on täielikult seiskunud; ja eemaldage mutrivõti, kui see on niiduki küljes:
 - Alati, kui lahkute muruniiduki juurest.
 - Enne küüste lisamist.
- Vähendage seguklapi ava seadistust mootori väljalülitamise ajal ja juhul, kui mootor on varustatud küüstekraaniga, siis sulgege see niitmise lõpetamisel.

Hooldus ja hoiustamine

- Jälgige, et kõik mutrid, poldid ja kruvid oleksid tugevasti kinni keeratud. Nii tagate niiduki ohutu töötamise.
- Ärge kunagi hoidke niidukit, mille paagis on küüst, suletud ruumis, sest küüstearurud võivad kokku puutuda lahtise tule või sademetega.
- Laske mootoril enne niiduki viimist kinnisesse ruumi maha jahtuda.
- Tuleohu vältimiseks hoidke mootori, summuti, akukorpuse ja bensiniipaagi piirkond rohust, lehtedest ja liigest määrdest puhtana.
- Kontrollige regulaarselt rohkogujat kulumise või vigastuste kindlakstegemiseks.
- Ohutuse tagamiseks vahetage kulunud või kahjustunud osad uute vastu.
- Kui küüstepaak vajab tühjendamist, tuleb seda alati teha välistingimustes.



HOIATUS: Ärge puudutage pöörlevat lõiketera.



HOIATUS: Lisage küüst hästi ventileeritud kohas seisatud mootoriga.

3. MURUNIIDUKI OSADE KIRJELDUS (Joon. 1A ja 1B)

Komplekti kuuluvad

A: Süüteküünlavõti

B: Tühjendusrenn

4. TEHNILISED ANDMED

Mudel	PLM5121	PLM5120
Mootori tüüp	B&S675EX Seeria, ReadyStart, 126T	B&S625E Seeria, 122T
Iseliikuv	Jah	Ei
Mootori töömaht	190 cm ³	190 cm ³
Lõiketera laius	510 mm	510 mm
Nominaalne pöörlemissagedus	2800 p/min	2800 p/min
Kütusepaagi maht	1,0 l	1,0 l
Netokaal	31,7 kg	28 kg
Kõrguse reguleerimine:	25–70 mm, 5 reguleeritavat kõrgust	
L _{PA} (SPL) kasutaja töökohal (k = 3 dB (A))	79,2 dB (A)	78,9 dB (A)
Garanteeritud müratugevuse tase L _{WA}	98 dB (A)	98 dB (A)
Vibratsioon (k = 1,5 m/s ²)	2,305 m/s ²	2,056 m/s ²

5. KOKKUPANEK

5-1 KOKKUPANDAVA KÄEPIDEME MONTEERIMINE

- Kinnitage käepideme alumised osad niiduki korpuse külge lukustusnuppudega, nagu on näidatud. (Joon. 2A, Joon. 2B, Joon. 2C, Joon. 2D)
- Ühendage käepideme ülemine ja alumine osa lukustusnupu abil. (Joon. 2E, Joon. 2F, Joon. 2G)
- Paigaldage kaabliklamber näidatud asendisse ja seejärel kinnitage kaabel. (Joon. 2H)

6. LÕIKEKÕRGUSE REGULEERIMINE

Hoova vabastamiseks hammaste tagant suruge seda väljapoole. Lõikekõrguse reguleerimiseks lükake hooba ette- või tahapoole.

Kõrgust (lõiketerast maapinnani) saab reguleerida 25 mm (1. asend: madalaim asend) kuni 70 mm (5. asend: kõrgeim asend), 5 kõrguse asendit. (Joon. 3A, Joon. 3B).

Jätke niiduk enne lõikekõrguse muutmist seisma ja ühendage süüteküünlaga juhe lahti.



HOIATUS: Lõiketera peab lõikekõrguse reguleerimise ajal olema seisatud.

7. SOBIVA KÕRGUSE REGULEERIMINE (Joon. 4A, Joon. 4B)

- Tõmmake välja lukustusnupud, mis fikseerivad käepideme alumist osa, vt Joon. 4A.
- Vt Joon. 4B, liigutage käepideme alumist osa üles ja alla, seadke see sobivale kõrgusele. Sellist tüüpi muruniidukil saab valida 3 reguleeritavat kõrgust; 1. asendis on kõrgus maksimaalne, 3. asendis on kõrgus minimaalne.
- Reguleerige sobivale kõrgusele ja kinnitage siis käepideme alumine osa lukustusnuppudega.



HOIATUS: Käepideme alumise osa vasak ja parem pool peavad olema reguleeritud samale kõrgusele.

8. STARTERI NÖÖRI KÄEPIDE (Joon. 5)

Viige starteri nõõri käepide mootorist starteri nõõri juhikusse.

9. „KAKS-ÜHES“

9-1 ÜMBERSEADISTAMINE KÜLJELT TÜHJENDAMISEGA NIITMISEKS

- Tõstke külglapp küljelt tühjendamiseks üles. (Joon. 6A)
- Paigaldage tühjendusrenn küljelt tühjendamiseks külglappi tugitihvile. (Joon. 6A, Joon. 6B).
- Langutage külglapp – külglapp toetub tühjendusrennile. (Joon. 6C)



Ainult siis, kui mootor ja lõiketera seisavad!

9-2 MULTŠIMISEGA MURUNIIDUK

Mis on multšimine?

Multšimise puhul rohi kõigepealt lõigatakse, seejärel hekseldatakse peeneks ja juhatakse niidetud rohule loodusliku väetisena tagasi.

Nõuandeid multšimisega niitmiseks:

- Niitke regulaarselt 4 - 6 cm kõrgust muru maks. 2 cm võrra madalamaks;
- Kasutage teravat lõiketera;
- Ärge niitke märga rohtu;
- Seadke mootori pöörlemiskiirus maksimaalseks;
- Niitke ainult normaalses töötempo;
- Puhastage regulaarselt multšimiskilju, korpuse sisemist poolt ja lõiketera.



HOIATUS: Teostage ainult siis, kui mootor on seisatud ja lõiketera ei liigu.

1. Tõstke külglapp üles ja eemaldage tühjendusrenn. (**Joon. 7A, Joon. 7B**).
 - Külglapp sulgeb korpuses oleva tühjendusava vedru abil automaatselt.
 - Puhastage külglappi ja tühjendusava regulaarselt sinna kogunenud murust ja prahist.

10. TÖÖ JUHISED

10-1 ENNE MOOTORI KÄIVITAMIST

Kasutage mootoris ainult sellist bensiini ja õli, nagu on kindlaks määratud eraldi mootori kasutusjuhendis, mis on teie niidukiga kaasa pandud. Lugege tähelepanelikult juhiseid.



HOIATUS: Bensiin on väga tuleohtlik.

Hoidke kütust selleks ettenähtud mahutites. Lisage kütust ainult välistingimustes, tehke seda enne mootori käivitamist ning ärge suitsetage kütuse lisamise või käsitlemise ajal.

Ärge eemaldage kütusepaagilt korki ega lisage sinna kütust, kui mootor töötab või on kuum.

Kui olete bensiini maha loksutanud, siis ärge püüdke mootorit käivitada, vaid viige niiduk sellest piirkonnast eemale ja vältige enne bensiinaurude hajumist kõikvõimalikke süttimisohte.

Keerake kütusepaagi ja -mahuti korgid tugevasti kinni. Lõiketera hooldamiseks või õli välja kallamiseks tühjendage kütusepaak enne muruniiduki kallutamist.



HOIATUS: Ärge kunagi lisage kütust paaki suletud ruumis ega siis, kui mootor töötab. Kui mootor on äsja töötnud, siis oodake enne kütuse lisamist vähemalt 15 minutit.

10-2 MOOTORI KÄIVITAMINE JA LÕIKETERA SISSELÜLITAMINE

1. Niiduki süüteküünal on varustatud kummist piibuga, mis asub süüteküünla peal. Veenduge, et süüteküünla juhtme otsas olev metallist aas (kummist piibu sees) oleks tugevasti kinnitatud süüteküünla metallist otsa peale.
- 2.1. Ainult PLM5121:
Külma või sooja mootori käivitamisel keerake õhuklapi hoob mis tahes asendisse asendi „☞“ ja asendi „☛“ vahel. Töötamise ajal keerake õhuklapi hoob asendisse „☛“. (**Joon. 8B**)
- 2.2. Ainult PLM5120:
Külma käivituse puhul vajutage enne mootori käivitamist 3–5 korda täitepumba nupule ja keerake õhuklapi hoob asendisse „☛“.
Sooja mootori käivitamisel ja töötamise ajal keerake õhuklapi hoob asendisse „☛“. (**Joon. 8A, Joon. 8B**).
3. Seistes muruniiduki taga, haarake kinni turvapiduri hoovast ja hoidke seda vastu käepideme ülemist osa, nagu on näidatud **Joon. 8C**.
4. Haarake kinni starteri nõõri käepidemest, nagu on näidatud **Joon. 8C**, ja tõmmake seda kiiresti. Kui mootor käivitub, juhtige käepide aeglaselt starteri

nõõri juhujuha taga lagi.
Mootori ja lõiketera seiskamiseks vabastage turvapiduri hoob. (**Joon. 8D**)



Käivitage mootor vastavalt juhiste, hoides jalgu lõiketerast ohutus kauguses.



Ärge kallutage muruniidukit mootori käivitamise ajal. Käivitage muruniiduk tasasel pinnal, kus ei ole kõrget rohtu ega takistusi.



Hoidke käed ja jalad eemal pöörlevatest osadest. Ärge seiske mootori käivitamise ajal väljaviskeava ees.

10-3 TÖÖPROTSEDUURID

Hoidke niitmise ajal turvapiduri hooba mõlema käega tugevasti vastu käepidid.



MÄRKUS: Kui turvapiduri hoob niitmise ajal vabastatakse, siis mootor seiskub, peatades seeläbi muruniiduki töö.

10-4 MOOTORI SEISKAMINE



ETTEVAATUST: Lõiketera jääb pärast mootori väljalülitamist mõneks sekundiks pöörlema.

1. Mootori ja lõiketera seiskamiseks vabastage turvapiduri hoob.
2. Ühendage süüteküünla juhe lahti ja maandage see, nagu kaasasolevas mootori kasutusjuhendis on õpetatud, et vältida ootamatut käivitumist sel ajal, kui niiduk on jäetud järelevalveta.

10-5 ÜHENDUS AUTOMAATSE LIIKUMISE JAKKS

Ainult PLM5121

Haarake vabajooksu hoovast ning muruniiduk hakkab automaatselt liikuma edasi kiirusega umbes 3,6 km/h (**Joon. 9**). Laske vabajooksu hoob lahti ning mootor seiskub.



ETTEVAATUST: Teie muruniiduk on mõeldud niitma tavalist elumajade ümber olevat muru, mille kõrgus ei ületa 250 mm.

Ärge üritage niita ebaharilikult kõrget või märga rohtu (nt heinamaad) või niita läbi kuivanud lehekuhjade. Prant võib koguneda niiduki korpusele või puuduta vastu mootori väljalasketoru, mis võib viia tulekahjuni.

10-6 PARIMATE TULEMUSTE SAAVUTAMINE NIITMISEL

Puhastage muru prahist. Veenduge, et murul pole kive, pulkaside, traati või muid võõrkehi, mis võivad lõiketerade külge takerdudes ootamatult mis tahes suunas laiali paiskuda ning põhjustada tõsise kehavigastuse niiduki kasutajale ja teistele isikutele, samuti kahjustada vara ja muid ümbritsevaid esemeid. Ärge niitke märga rohtu. Tõhusamaks niitmiseks ärge niitke märga rohtu, sest see

kipub korpus alumise küljele kleepuma, takistades mahalõigatud rohu õiget niitmist. Ärge niitke korraga maha rohkem kui 1/3 rohu esialgsest kõrgusest. Niitmise puhul on soovitatav maha niita 1/3 rohu esialgsest kõrgusest. Liikumiskiirus tuleks reguleerida selliseks, mis võimaldab tükeldatud rohtu ühtlaselt murule laiali puistata. Eriti tihedat rohu puhul tuleks vajadusel kasutada ühte kõige aeglasematest kiirustest, et saavutada ühtlane hästi niidetud muru. Kui niidate kõrget rohtu, peaksite muru niitma kaks korda, langetades lõiketera teisel niitmisel veel 1/3 võrra esialgsest kõrgusest ning niites võib-olla mõne teise mustri järgi kui esimesel korral. Niiduradade väike kattuvus niitmisel aitab samuti saada ühtlasemat murupinda. Niiduk peaks alati töötama maksimaalsel pöörete arvul, et saavutada parim lõikus ja võimaldada niidukil niita kõige tõhusamalt. Puhastage niiduki korpuse alumist koonust. Puhastage korpuse alumist poolt kindlasti pärast igat kasutamist, et vältida rohu kogunemist, mis võib takistada õiget multsimist. Niitmine läbi lehtede. Lehtede niitmine on samuti kasulik teie murule. Lehtede niitmisel veenduge, et need on kuivad ega paikne rohul liiga paksu kihina. Ärge oodake seni, kuni kõik lehed on puudelt maha langenud, enne kui niitma hakkate.



HOIATUS: Kui niiduk põrkub vastu võõrkeha, seisake mootor. Eemaldage süüteküünlalt juhe, kontrollige niidukit põhjalikult, kas sellel pole kahjustusi, ja enne niiduki uuesti käivitamist teostage vajalikud parandustööd. Niiduki liiga suur vibratsioon töötamise ajal viitab kahjustusele. Niidukit tuleks kohe kontrollida ja remontida.

10-7 KORPUS

Niiduki korpuse alumist poolt tuleks puhastada pärast igat kasutamist, et vältida niidetud rohu, lehtede, mulla ja muude võõrkehade kogunemist. Kui prügil lastakse koguneda, võib see põhjustada korrosiooni ja takistada nõuetekohast multsimist. Korpuse puhastamiseks võib niidukit kallutada ja kraapida seda puhtaks sobiva tööriistaga (kontrollige, et süüteküünla juhe oleks lahti ühendatud).

11. HOOLDUSJUHISED

SÜÜTEKÜÜNAL

Kasutage väljavahetamiseks ainult originaalset süüteküünalt. Parimate tulemuste saavutamiseks vahetage süüteküünal välja iga 100 töötunni järel.

12. MÄÄRIMISJUHISED



ETTEVAATUST: ÜHENDAGE SÜÜTEKÜÜNLA JUHE ENNE HOOLDUST LAHTI.

1. RATTAD. Määrige kõigi rataste kuullaagreid vähemalt üks kord hooaja jooksul kerge õliga.
2. MOOTOR. Järgige mootori kasutusjuhendis antud määrimisjuhiseid.
3. LÕIKETERA JUHTHOOB. Määrige lõiketera juhthoova pöördepunkte ja piduritrossi vähemalt üks kord hooaja jooksul kerge õliga. Lõiketera juhthoob peab mõlemas suunas liikuma vabalt.

13. PUHASTAMINE



ETTEVAATUST: Ärge kasutage mootori puhastamiseks veejuga. Vesi võib mootorit kahjustada või saastada kütusesüsteemi.

1. Puhastage korpust kuiva lapiga.
2. Puhastage niiduki korpuse alumist poolt veejoga, kallutades niidukit niimoodi, et süüteküünal jääb ülespoole.

13-1 MOOTORI ÕHUPUHAСТИ



ETTEVAATUST: Ärge laske mustusel või tolmul ummistada õhufiltri poroloonelementi. Mootori õhupuhaсти elementi tuleb hooldada (puhastada) iga 25 töötunni järel normaalses tingimustes niitmise korral.

Poroloonelementi tuleb hooldada regulaarselt, kui muruniidukit kasutatakse kuivades tolmustes tingimustes. (Vt MOOTORI KASUTUSJUHEND)

ÕHUFILTRI PUHASTAMINE

1. Eemaldage kruvi. (**Joon. 10A, Joon. 10B**).
2. Eemaldage kate.
3. Peske filtri elementi seebivees. **ÄRGE KASUTAGE BENSIINI!**
4. Laske filtri elemendil õhu käes kuivada.
5. Tilgutage poroloonfiltrile mõned tilgad SAE30 õli ja pigistage kõvasti, et liigne õli eemaldada.
6. Paigaldage filter tagasi.



MÄRKUS: Vahetage filter välja, kui see on hõredaks kulunud, rebenenud, muul viisil kahjustunud või siis, kui seda ei saa enam puhastada.

13-2 LÕIKETERA



ETTEVAATUST: Ühendage süüteküünla juhe enne lõiketera kallal töötamist kindlasti lahti ja maandage see, et vältida mootori juhuslikku käivitumist. Kaitske käsi, kandes paksu kindaid või kasutage lõiketerade haaramiseks lappi. Kallutage niidukit niimoodi, nagu kaasasolevas mootori kasutusjuhendis on kindlaks määratud. Eemaldage kuuskantpolt ja seib, mis hoiavad lõiketera ja lõiketera adapterit mootori vāntvõlli küljes kinni. Eemaldage lõiketera ja lõiketera adapter mootori vāntvõlli küljest.



HOIATUS: Kontrollige regulaarselt lõiketera adapterit, et sellel poleks pragusid, eelkõige siis, kui niiduk on põrkunud vastu võõrkeha. Vajadusel vahetage adapter välja.

Parimate tulemuste saavutamiseks peab lõiketera olema terav. Lõiketera saab uuesti teritada. Selleks tuleb see eemaldada ning teritada või viilida lõikeserva, säilitades võimalikult täpse originaalfaasi. Väga tähtis on, et kõiki lõikeservi viilatakse ühtlaselt, vältimaks lõiketera tasakaalustamatust. Lõiketera vale tasakaal põhjustab ülemäärast vibratsiooni, mille tagajärjel võivad tekkida juhuslikud mootoririkked ja niiduki kahjustused. Pärast

lõiketera teritamist tasakaalustage seda hoolikalt. Lõiketera tasakaalu saab kontrollida, tasakaalustades lõiketera ümara varrega kruvikeerajal. Eemaldage metalli raskemalt küljelt, kuni lõiketera tasakaalustub ühtlaselt. Enne lõiketera ja adapteri monteerimist seadme külge, määrige mootori väntvõlli ja lõiketera adapteri sisemist pinda kerge õliga. Paigaldage lõiketera adapter mootori väntvõlli külge. Vt **Joon. 11**. Paigaldage adapter lõiketera sellele küljele, millel pole osa numbrit. Seadke seib lõiketera auguga kohakuti ja sisestage kuuskantpolt. Pingutage kuuskantpolti vastavalt allpool antud pöördemomendile.

13-3 LÕIKETERA MONTEERIMISE PÖÖRDEMOMENT

Pingutage polti pöördemomendini 40 Nm–50 Nm, et tagada seadme ohutu töötamine. Kontrollige regulaarselt, et KÕIK mutrid ja poldid oleksid korralikult kinni keeratud. Pärast pikaajalist töötamist, eriti liivasel pinnal, lõiketera kulub ja kaotab mingil määral oma originaalse kuju. Selle tagajärjel niitmise tõhusus väheneb ning lõiketera tuleks välja vahetada. Kasutage väljavahetamiseks ainult tehase poolt heakskiidetud lõiketera. Tootja ei vastuta lõiketera tasakaalustamatuse tagajärjel tekkinud võivate kahjustuste eest.

Kasutage väljavahetamiseks ainult originaalset lõiketera, mille tüüp on märgitud lõiketerale (MAKITA 263001826) (lõiketera tellimiseks pöörduge kohaliku müügiesindaja poole või helistage meie ettevõttesse).



HOIATUS: Ärge puudutage pöörlevat lõiketera.

13-4 MOOTOR

Lugege mootori hooldusjuhiseid eraldi mootori kasutusjuhendist.

Säilitage mootoriõli vastavalt mootori kasutusjuhendis antud juhiste. Lugege ja järgige juhiseid tähelepanelikult.

Kui töötate muruniidukiga normaalsetes tingimustes, siis hooldage õhupuhastit vastavalt mootori kasutusjuhendis antud juhiste.

Kui töötate väga tolmustes tingimustes, siis puhastage õhupuhastit iga mõne tunni järel. Mootori väike jõudlus ja üleujutus viitavad tavaliselt sellele, et õhupuhastit tuleks hooldada.

Lugege õhupuhastite hooldusjuhiseid teie niidukiga kaasasolevast mootori kasutusjuhendist.

Süüteküünalt tuleks puhastada ja elektroodide vahet reguleerida üks kord hooaja jooksul. Soovitatav on, et vahetaksite süüteküünla välja iga niitmishooaja alguses. Kontrollige mootori kasutusjuhendist õiget süüteküünla tüüpi ja elektroodide vahe tehniisi nõudeid.

Puhastage mootorit regulaarselt lapi või harjaga. Hoidke jahutussüsteem (ventilaatori korpuse piirkond) puhtana, et võimaldada nõuetekohast õhuringlust, mis on oluline mootori jõudluse ja ettenähtud kasutusea säilitamiseks. Eemaldage summuti piirkonnast kindlasti kogu rohi, muld ja tulohtlik prügi.

14. HOIUSTAMISE JUHISED (PÄRAST HOOAJA LÕPPEMIST)

Muruniiduki ettevalmistamisel hoiustamiseks tuleb teostada järgmised toimingud.

1. Kütusepaak tuleb pärast hooaja viimast niitmist tühjaks lasta.
 - a) Tühjendage bensiinipaak imipumba abil.



ETTEVAATUST: Ärge tühjendage masinat bensiinist suletud ruumis, lahtise tule läheduses jne. Ärge suitsetage! Bensiiniaurud võivad põhjustada plahvatuse või tulekahju.

- b) Käivitage mootor ja laske sel töötada seni, kuni kogu bensiin on ära tarbitud ja mootor seiskub.
 - c) Eemaldage süüteküünal. Lisage põlemiskambris õlikannu abil u 20 ml õli. Kasutage õli ühtlaseks jaotumiseks põlemiskambris starterit. Vahetage süüteküünal välja.
2. Puhastage ja määrige muruniidukit hoolikalt, nagu on kirjeldatud osas „Määrimine“.
 3. Määrige veidi ka lõiketera, et vältida roostetamist.
 4. Hoidke muruniidukit kuivas, puhtas, pakase ja kõrvaliste isikute eest kaitsitud kohas.



ETTEVAATUST: Mootor peab enne muruniiduki hoiule panekut olema täiesti maha jahtunud.



MÄRKUS:

- Mis tahes tüüpi masinate või seadmete hoidmisel ventileerimata ruumis või materjalide laos tuleks neid kaitsta roostetamise eest. Kasutage kergest õli või silikooni ning kandke seda seadmele, eelkõige kaablitele ja kõigile liikuvatele osadele.
- Jälgige, et te ei painutaks kaableid ega ajaks neid keerdu.
- Kui starteri nõor eemaldub käepidemel olevast juhikust, ühendage süüteküünla juhe lahti ja maandage see. Vajutage turvapiduri hoob alla ja tõmmake starteri nõor aeglaselt mootorist välja. Libistage starteri nõor käepidemel olevasse juhikusse.

Transportimine

Lülitage mootor välja. Veenduge, et niiduki lükkamisel üle takistuste ei painutataks ega kahjustataks lõiketera.

15. VEAOTSING

PROBLEEM	VÕIMALIK PÕHJUS	VEA KÕRVALDAMINE
Mootor ei käivitu.	Seguklapi asend ei vasta töötingimustele.	Viige seguklapp õigesse asendisse.
	Kütusepaak on tühi.	Lisage paaki kütust. Vt MOOTORI KASUTUSJUHEND.
	Õhupuhasti element on määratud.	Puhastage õhupuhasti elementi. Vt MOOTORI KASUTUSJUHEND.
	Süüteküünal on lahti.	Pingutage süüteküünalt, kasutades pöördemomenti kuni 25–30 Nm.
	Süüteküünla juhe on lahti või süüteküünla küljest lahti ühendatud.	Paigaldage süüteküünla juhe süüteküünlale.
	Süüteküünla elektrodide vahe on vale.	Reguleerige elektrodide vahet, see peab olema 0,7 kuni 0,8 mm.
	Süüteküünal on rikkis.	Paigaldage uus süüteküünal ja seadistage õige elektrodide vahe. Vt MOOTORI KASUTUSJUHEND.
	Karburaator on kütusest ülejutatud.	Eemaldage õhupuhasti element ja tõmmake pidevalt starteri nõõri, kuni karburaator puhastub, ning paigaldage õhupuhasti element.
Süütemoodul on rikkis.	Võtke ühendust hooldusteenindusega.	
Mootorit on raske käivitada või võimsus puudub.	Mustus, vesi või vana kütus kütusepaagis.	Tühjendage kütusepaak ja puhastage see. Täitke paak uue puhta kütusega.
	Kütusepaagi korgi õhuava on tõkestatud.	Puhastage kütusepaagi korki või vahetage see välja.
	Õhupuhasti element on määratud.	Puhastage õhupuhasti elementi.
Mootor töötab ebaühtlaselt.	Süüteküünal on rikkis.	Paigaldage uus süüteküünal ja seadistage õige elektrodide vahe. Vt MOOTORI KASUTUSJUHEND.
	Süüteküünla elektrodide vahe on vale.	Reguleerige elektrodide vahet, see peab olema 0,7 kuni 0,8 mm.
	Õhupuhasti element on määratud.	Puhastage õhupuhasti elementi. Vt MOOTORI KASUTUSJUHEND.
Mootor töötab tühikäigul kehvasti.	Õhupuhasti element on määratud.	Puhastage õhupuhasti elementi. Vt MOOTORI KASUTUSJUHEND.
	Mootorikatte õhuavad on blokeeritud.	Eemaldage prügi õhutusavadelt.
	Mootori ventilaatori korpuse all olevad jahutusribid ja õhutusavad on blokeeritud.	Eemaldage prügi jahutusribidelt ja õhutusavadelt.
Mootor jätab suurel pöörete arvul töötades takte vahele.	Süüteküünla elektrodide vahe on liiga väike.	Reguleerige elektrodide vahet, see peab olema 0,7 kuni 0,8 mm.
Mootor kuumeneb üle.	Jahutusõhu ringlus on tõkestatud.	Eemaldage mootorikatte piludelt, ventilaatori korpusest ja õhutusavadelt igasugune prügi.
	Vale süüteküünal.	Paigaldage süüteküünal RJ19LMC ja jahutusribid mootorile.
Niiduk vibreerib liigselt.	Lõikemehhanism on lahti.	Pingutage lõiketera.
	Lõikemehhanism ei ole tasakaalus.	Tasakaalustage lõiketera.

16. GARANTII

Vastavalt kehtivatele õigusaktidele antakse käesolevale tootele 12 kuu pikkune garantii, mis hakkab kehtima alates toote esimesest ostukuupäevast. Garantii hõlmab kõiki materjalidefektidest ja tootmisvigadest põhjustatud kahjustusi. Garantii alla ei kuulu kahjustused, mis on tingitud selliste osade nagu

laagrite, harjade, kaablite, pistikute või tarvikute (nt puuriotsakud, saeterad jms) normaalsest kulumisest. Garantii alla ei kuulu kahjustused või defektid, mis on tekkinud väärkasutuse, õnnetusjuhtumite või seadme muutmise tagajärjel, samuti transpordikulud. Me jätame endale õiguse lükata tagasi igasuguse nõude, mille puhul ostu ei saa tõendada või mille puhul on selge,

et toodet ei ole hooldatud nõuetekohaselt. (Puhtad ventilatsioonivad, regulaarselt hooldatud süsiharjad jne.) Ostukviitung tuleb ostukuupäeva tõendava dokumendina alles hoida.

Lahtimonteerimata seade tuleb tagastada edasimüüjale. Tagastatud seade peab olema vastuvõetavalt puhtas seisundis, originaalses puhumisvormimismeetodil valmistatud ümbrises (kui on antud seadme puhul asjakohane) ning sellega peab kaasas olema teie ostu tõendav dokument.

17. KESKKOND

Kui peaksite oma muruniiduki pärast pikaajalist kasutamist uue vastu välja vahetama, siis ärge pange vana niidukit olmejäätmete hulka, vaid kõrvaldage see kasutusest keskkonnaohutul viisil.

18. EÜ VASTAVUSDEKLARATSIOON

(Ainult Euroopa riigid)

Makita korporatsiooni vastutava tootjana kinnitame, et alljärgnev(ad) Makita seade (seadmed):

Masina tähistus: Bensini mootoriga muruniiduk

Mudeli nr/tüüp: PLM5120, PLM5121

Tehnilised andmed: vt „4. TEHNILISED ANDMED“

on seeriatoodang ja

vastab järgmiste Euroopa direktiivide nõuetele:

2004/108/EÜ, 2006/42/EÜ,

2000/14/EÜ ja 2005/88/EÜ

Ning on toodetud vastavalt järgmistele standarditele või standardiseeritud dokumentidele:

EN ISO 14982, EN836

Tehnilist dokumentatsiooni hoitakse meie volitatud esindajate käes Euroopas, kelleks on:

Makita International Europe Ltd.
Michigan Drive, Tongwell,

Milton Keynes, Bucks MK15 8JD, Inglismaa

Vastavushindamise protseduur direktiivi 2000/14/EÜ alusel oli kooskõlas V lisaga.

Teavitatud asutus:

TÜV SÜD Industrie Service GmbH

Westendstraße 199, 80686 München, Saksamaa

ID-number 0036

Mudel: PLM5120

Mõõdetud müratugevuse tase: 92,3 dB (A)

Garanteeritud müratugevuse tase: 98 dB (A)

Mudel: PLM5121

Mõõdetud müratugevuse tase: 92,4 dB (A)

Garanteeritud müratugevuse tase: 98 dB (A)

30.11.2011



Tomoyasu Kato

Direktor

Makita Corporation
3-11-8, Sumiyoshi-cho,
Anjo, Aichi, JAPAN

- | | | |
|----------------------------------|-------------------------------|-----------------------|
| 1. Рукоятка управления тормозом | 7. Кабельный зажим | 13. Крышка маслобака |
| 2. Верхняя рукоятка | 8. Рычаг регулировки высоты | 14. Рукоятка стартера |
| 3. Рукоятка управления движением | 9. Основание | 15. Болт |
| 4. Рычаг дросселирования | 10. Боковая заслонка | 16. Шайба |
| 5. Направляющая для троса | 11. Свеча зажигания | 17. Ручка подкачки |
| 6. Рукоятка блокировки | 12. Крышка заливной горловины | 18. Винт |



ПРЕДОСТЕРЕЖЕНИЕ:

Чтобы обеспечить безопасное использование, прочтите это руководство перед началом эксплуатации устройства. Несоблюдение указаний может стать причиной тяжелых травм. Уделите немного времени, чтобы ознакомиться с газонокосилкой перед ее использованием.



Предупреждение: Двигатель горячий.

2. ОБЩИЕ ПРАВИЛА ТЕХНИКИ БЕЗОПАСНОСТИ



ПРЕДОСТЕРЕЖЕНИЕ: При использовании бензиновых инструментов соблюдайте основные правила техники безопасности, включая перечисленные ниже, чтобы снизить риск получения тяжелых травм и/или повреждения устройства. Прочтите все инструкции до начала эксплуатации изделия и сохраните их для последующего использования.



ПРЕДОСТЕРЕЖЕНИЕ: Во время работы данное устройство создает электромагнитное поле. В некоторых случаях это поле может создавать помехи для активных или пассивных медицинских имплантатов. Чтобы уменьшить риск тяжелой или смертельной травмы, перед началом эксплуатации устройства людям с медицинскими имплантатами рекомендуется проконсультироваться с врачом и производителем имплантата.

Обучение

- Внимательно прочитайте инструкции. Ознакомьтесь со всеми органами управления и правилами правильной эксплуатации изделия.
- Не разрешайте детям и лицам, не знакомым с данными инструкциями, пользоваться бензогазонокосилкой. В местном законодательстве могут существовать возрастные ограничения для операторов.
- Запрещается эксплуатировать газонокосилку, если поблизости находятся люди (в особенности дети) или животные.
- Помните, что оператор/пользователь несет ответственность за происшествия и опасные ситуации с другими людьми или их собственностью.

Подготовка

- На время стрижки газона обязательно надевайте прочную обувь и длинные брюки. Не пользуйтесь оборудованием босиком или в открытых сандалиях.

1. МАРКИРОВКИ НА ИЗДЕЛИИ



Прочтите Руководство по эксплуатации.



Не допускайте посторонних к месту работ.



Чтобы избежать травм, оператор должен обращать особое внимание на руки и ноги.



Топливо легко воспламеняется, не подносите к нему огонь. Не доливайте топливо на работающей машине.



Токсичные пары; не эксплуатируйте в помещении.



Во время обработки газона используйте защитные очки и предохранительные наушники.



Во время ремонта извлеките свечу зажигания и затем выполняйте ремонт в соответствии с руководством по эксплуатации.

- Тщательно осмотрите место, где будет использоваться оборудование, и удалите все предметы, которые могут быть отброшены машиной.
- **ПРЕДОСТЕРЕЖЕНИЕ** - Бензин легко воспламеняется.
 - Храните топливо в предназначенных для этого канистрах.
 - Заправляйте бак только вне помещения, не курите во время заправки.
 - Доводите топливо до запуска двигателя. Запрещается снимать крышку топливного бака или доливать бензин при работающем двигателе или если двигатель горячий.
 - Если бензин был пролит, не запускайте двигатель; передвиньте газонокосилку в сторону от места разлива и не создавайте каких-либо источников искр до испарения бензина.
 - Надежно закрывайте крышки топливного бака и канистры.
- Замените неисправные глушители.
- Перед использованием обязательно осмотрите лезвия, болты крепления лезвий и режущий узел на предмет износа и повреждений. Заменяйте изношенные или поврежденные лезвия и болты комплектами, чтобы не допустить нарушения балансировки.

Эксплуатация

- Не включайте двигатель в ограниченном пространстве, где возможно скопление опасных паров угарного газа.
- Стрижку газонов выполняйте только в дневное время или при хорошем искусственном освещении.
- По возможности не используйте оборудование на мокрой траве.
- Соблюдайте осторожность на склонах.
- Передвигайтесь шагом, не бегайте.
- При использовании колесных ротационных машин стрижку склонов выполняйте только поперек, но ни в коем случае не вверх и не вниз по склону.
- Соблюдайте особую осторожность, меняя направление движения на склонах.
- Не выполняйте стрижку чересчур крутых склонов.
- Соблюдайте особую осторожность при движении задним ходом или подтягивая бензогазонокосилку к себе.
- Обязательно выключайте лезвие, если бензогазонокосилку необходимо наклонить для транспортировки по поверхности, отличной от травы, либо при транспортировке бензогазонокосилки к месту эксплуатации и обратно.
- Запрещается эксплуатировать бензогазонокосилку с неисправными ограждениями или без защитных приспособлений, например, дефлекторов или бункера для сбора травы.
- Не меняйте настройки регулятора оборотов двигателя и не превышайте частоту оборотов двигателя.
- Перед запуском двигателя отсоедините все лезвия и муфты привода.

- Включайте двигатель осторожно, в соответствии с инструкциями, ноги при этом должны находиться как можно дальше от лезвий.
- При запуске двигателя не наклоняйте бензогазонокосилку.
- Не включайте двигатель, стоя перед разгрузочным желобом.
- Не помещайте руки или ноги под вращающиеся детали или вблизи них. В любой ситуации не становитесь перед разгрузочным отверстием.
- Не поднимайте и не переносите бензогазонокосилку с работающим двигателем.
- Выключите двигатель и отсоедините провод свечи зажигания, убедитесь, что все движущиеся части полностью остановились, если вставлен ключ - извлеките его:
 - Перед устранением засоров и удалением предметов, закупоривших желоб.
 - Перед проверкой, очисткой или обслуживанием бензогазонокосилки.
 - После удара о посторонний предмет. Осмотрите бензогазонокосилку на предмет повреждений и устраните неисправность, прежде чем включать и эксплуатировать бензогазонокосилку.
 - Если началась ненормальная вибрация бензогазонокосилки (немедленно проверьте).
- Выключите двигатель и отсоедините провод свечи зажигания, убедитесь, что все движущиеся части полностью остановились, если вставлен ключ - извлеките его:
 - оставляя бензогазонокосилку без присмотра.
 - перед заправкой.
- При выключении двигателя уменьшите степень открытия дроссельной заслонки; если двигатель оснащен отсечным клапаном, по окончании стрижки газона выключите подачу топлива.

Обслуживание и хранение

- Все гайки, болты и винты должны быть надежно затянуты - это обеспечит безопасность и работоспособность.
- Не храните оборудование с бензином в баке в помещениях, где пары могут достичь открытого огня или искр.
- Перед постановкой на хранение в помещении дайте двигателю остыть.
- Чтобы уменьшить опасность пожара, храните двигатель, глушитель, отделение для батареи и бензин вдали от мест с травой, листьями или вблизи с большим количеством смазки.
- Периодически проверяйте бункер для сбора травы на предмет износа и снижения эксплуатационных качеств.
- Чтобы обеспечить безопасность, заменяйте изношенные и поврежденные детали.
- Если требуется слить топливо из бака, это следует делать вне помещения.



ПРЕДОСТЕРЕЖЕНИЕ: Не прикасайтесь к вращающемуся лезвию.



ПРЕДОСТЕРЕЖЕНИЕ: Выполняйте заправку только в хорошо проветриваемом помещении при остановленном двигателе.

3. ОПИСАНИЕ ДЕТАЛЕЙ (Рис. 1А и 1В)

Включая:

А: Ключ для свечи зажигания

В: Разгрузочный канал

4. ТЕХНИЧЕСКИЕ ДАННЫЕ

Модель	PLM5121	PLM5120
Тип масла	Серия B&S675EX, ReadyStart, 126T	Серия B&S625E, 122T
Самоходная бензогазонокосилка	Да	Нет
Рабочий объем двигателя	190 см ³	190 см ³
Ширина ножа	510 мм	510 мм
Номинальная скорость	2800/мин	2800/мин
Емкость топливного бака	1,0 л	1,0 л
Вес нетто	31,7 кг	28 кг
Регулировка высоты:	25 - 70 мм, 5 положений	
Уровень звукового давления (L _{pA}) (SPL) со стороны оператора (k = 3 дБ (A))	79,2 дБ (A)	78,9 дБ (A)
Гарантированный уровень звуковой мощности (L _{wA})	98 дБ (A)	98 дБ (A)
Вибрация (k = 1,5 м/с ²)	2,305 м/с ²	2,056 м/с ²

5. СБОРКА

5-1 СБОРКА СКЛАДНОЙ РУКОЯТКИ

1. Вставьте нижние концы рукояток в корпус устройства, при этом стопорные гайки должны быть в указанном положении. (Рис. 2А, Рис. 2В, Рис. 2С, Рис. 2D)
2. Соедините верхнюю и нижнюю рукоятки стопорной гайкой. (Рис. 2Е, Рис. 2F, Рис. 2G)
3. Установите кабельный зажим в указанное положение и присоедините кабель. (Рис. 2H)

6. НАСТРОЙКА ВЫСОТЫ СРЕЗАНИЯ

Нажмите по направлению наружу, чтобы высвободить рычаг из рейки. Переместите рычаг вперед или назад для регулировки высоты.

Высоту (лезвия от земли) можно отрегулировать в диапазоне от 25 мм (1 положение: самое низкое положение) до 70 мм (5 положение: самое высокое положение), 5 положений высоты. (Рис. 3А, Рис. 3В). Прежде чем изменять высоту срезания, выключите газонокосилку и отсоедините провод зажигания.



ПРЕДОСТЕРЕЖЕНИЕ: Выполняйте регулировку только после остановки лезвия.

7. РЕГУЛИРОВКА ВЫСОТЫ (Рис. 4А, Рис. 4В)

1. Выверните рукоятки блокировки, которые фиксируют нижнюю рукоятку, см. Рис. 4А.
2. См. Рис. 4В: переместите нижнюю рукоятку вверх-вниз, чтобы установить нужную высоту. Для данного типа бензогазонокосилки предусмотрено 3 варианта регулировки высоты: в 1 положении высота максимальная, в положении 3 высота минимальная.
3. Установите нужную высоту, затем зафиксируйте нижнюю рукоятку рукоятками блокировки.



ПРЕДОСТЕРЕЖЕНИЕ: Левая и правая стороны нижней рукоятки должны находиться на одинаковой высоте.

8. РУКОЯТКА СТАРТЕРА (Рис. 5)

Переведите рукоятку стартера с двигателя на направляющую троса.

9. “2 В 1”

9-1 ПЕРЕКЛЮЧЕНИЕ НА РЕЖИМ СТРИЖКИ С БОКОВЫМ ВЫБРОСОМ

1. Поднимите боковую заслонку для отвода в сторону. (Рис. 6А)
2. Установите направляющую для отвода в сторону на опорный штифт боковой заслонки. (Рис. 6А, Рис. 6В)
3. Опустите боковую заслонку, чтобы она легла на разгрузочный канал. (Рис. 6С)



Только после полной остановки двигателя и режущего узла!

9-2 ГАЗОКОСИЛКА ДЛЯ МУЛЬЧИРОВАНИЯ

Что такое мульчирование?

При мульчировании трава срезается за один рабочий проход, затем мелко нарезается и возвращается на почву в качестве природного удобрения.

Советы для обработки газонов с мульчированием:

- Обычное уменьшение максимум на 2 см дает высоту травы от 6 до 4 см.
- Используйте острый нож
- Не косите мокрую траву
- Устанавливайте максимальные обороты двигателя
- Переключайтесь только в рабочем темпе
- Регулярно очищайте клин для мульчирования, внутренние поверхности корпуса и лезвие



ПРЕДОСТЕРЕЖЕНИЕ: Только при выключенном двигателе и неподвижном ноже.

1. Поднимите боковую заслонку и снимите разгрузочный канал. (Рис. 7А, Рис. 7В)
 - Боковая заслонка автоматически закроет выпускное отверстие в корпусе посредством пружины.
 - Регулярно очищайте боковую заслонку и выпускное отверстие от остатков травы и грязи.

10. ИНСТРУКЦИИ ПО ЭКСПЛУАТАЦИИ

10-1 ПЕРЕД НАЧАЛОМ РАБОТЫ

Обработайте двигатель бензином и маслом согласно инструкциям в отдельном руководстве по двигателю, которое входит в комплект документации, прилагаемой к газонокосилке. Внимательно прочитайте инструкции.



ПРЕДОСТЕРЕЖЕНИЕ: Бензин легко воспламеняется.

Храните топливо в предназначенных для этого канистрах.

Заправляйте бак только вне помещения, перед запуском двигателя, и не курите во время заправки или погрузочно-разгрузочных операций с топливом. Запрещается снимать крышку топливного бака или доливать бензин при работающем двигателе или если двигатель горячий.

Если бензин был пролит, не запускайте двигатель; передвиньте газонокосилку в сторону от места разлива и не создавайте каких-либо источников искр до испарения бензина.

Надежно закрывайте крышки топливного бака и канистры.

Перед тем как наклонить газонокосилку для обслуживания ножа или слива масла, слейте топливо из бака.



ПРЕДОСТЕРЕЖЕНИЕ: Запрещается заливать топливо в бак в помещении, при работающем двигателе или ранее 15 минут после выключения двигателя.

10-2 ПУСК ДВИГАТЕЛЯ И ВКЛЮЧЕНИЕ НОЖА

1. Свеча зажигания газонокосилки защищена резиновым чехлом; убедитесь, что металлическая петля на конце провода свечи зажигания (внутри резинового чехла) надежно прикреплена к металлическому наконечнику на свече зажигания.
 - 2.1. Для PLM5121:
При пуске холодного или горячего двигателя поверните рычаг воздушной заслонки дросселя в любое положение в диапазоне от “☁” до “☞”. Во время работы поверните рычаг воздушной заслонки дросселя в положение “☞”. (Рис. 8В)
 - 2.2. Для PLM5120:
При пуске холодного двигателя нажмите ручку подкачки 3 - 5 раз перед запуском двигателя, а затем поверните рычаг воздушной заслонки дросселя в положение “☁”.
При пуске горячего двигателя и во время работы рычаг воздушной заслонки дросселя следует установить в положение “☞”. (Рис. 8А, Рис. 8В)
3. Стоя позади устройства, возьмитесь за рукоятку управления тормозом и прижмите ее к верхней рукоятке как показано на Рис. 8С.
4. Возьмитесь за рукоятку стартера как показано на Рис. 8С и резко потяните вверх. После запуска двигателя медленно верните ее на направляющую троса.
Чтобы остановить двигатель и нож, отпустите рукоятку управления тормозом. (Рис. 8Д)



Включайте двигатель осторожно, в соответствии с инструкциями, ноги при этом должны находиться как можно дальше от лезвий.



При запуске двигателя не наклоняйте бензогозокосилку. Включайте газонокосилку на ровной поверхности, свободной от высокой травы или препятствий.



Берегите руки и ноги от вращающихся деталей. Не включайте двигатель, стоя перед разгрузочным отверстием.

10-3 ЭКСПЛУАТАЦИОННЫЕ ПРОЦЕДУРЫ

Во время работы надежно удерживайте рукоятку управления тормозом обеими руками.



ПРИМЕЧАНИЕ: Если во время работы отпустить рукоятку управления тормозом, двигатель выключится, и бензогазонокосилка прекратит работу.

10-4 ВЫКЛЮЧЕНИЕ ДВИГАТЕЛЯ



ПРЕДУПРЕЖДЕНИЕ: Нож продолжает вращаться в течение нескольких секунд после выключения двигателя.

1. Чтобы остановить двигатель и нож, отпустите рукоятку управления тормозом.
2. Отсоедините и заземлите провод зажигания от свечи согласно указаниям в руководстве по эксплуатации двигателя, чтобы предотвратить случайный самопроизвольный пуск устройства.

10-5 СОЕДИНЕНИЕ ДЛЯ АВТОМАТИЧЕСКОГО ДВИЖЕНИЯ

Для PLM5121

Возьмитесь за ручку управления движением, бензогазонокосилка начнет автоматически двигаться вперед со скоростью примерно 3,6 км/ч (Рис. 9). Если отпустить ручку управления движением, бензогазонокосилка остановится.



ПРЕДУПРЕЖДЕНИЕ: Газонокосилка предназначена для скашивания травы на приусадебных участках, высота которой не превышает 250 мм.

Не пытайтесь скашивать слишком высокую, сухую или влажную траву (например, на пастбище) или кучи сухих листьев. Мусор может скопиться в основании газонокосилки или попасть на выпускную систему, что может создать потенциальную угрозу пожара.

10-6 МЕТОДЫ СТРИЖКИ ГАЗОНОВ

Очистите газон от мусора. Убедитесь, что на газоне нет камней, палок, проводов или других инородных предметов, которые могут быть случайно выброшены газонокосилкой, причинив тяжелую травму оператору или посторонним людям, повредить имущество или окружающие предметы. Не косите мокрую траву. Для максимальной эффективности стрижки газона не косите мокрую траву, поскольку она налипает на днище основания и затрудняет стрижку. Срезайте не более 1/3 высоты травы. Рекомендованная высота срезания для газона составляет 1/3 высоты травы. Скорость передвижения следует подобрать таким образом, чтобы срезанная трава равномерно

распределялась по газону. В особо сложных условиях при скашивании толстых стеблей используйте самые низкие скорости, чтобы добиться оптимального скашивания. При скашивании высокой травы может потребоваться скашивание газона в два захода, опустив нож еще на 1/3 при втором заходе. Возможно, при втором заходе нужно будет изменить способ скашивания. Для зачистки отдельных нескашенных участков рекомендуется, чтобы каждый следующий проход немного перекрывал предыдущий. Газонокосилку следует эксплуатировать с максимально открытой дроссельной заслонкой, чтобы добиться наилучшего срезания травы и максимально эффективной стрижки газона. Очищайте днище основания. Обязательно очищайте днище основания после каждого использования, чтобы не допустить скопления травы. Она снижает качество мульчирования. Перемалывание листьев. Перемалывание листьев также полезно для газонов. При перемалывании листьев убедитесь, что они сухие и их слой на газоне не слишком толстый. Не дожидайтесь, пока с деревьев опадут все листья, чтобы начать перемалывание.



ПРЕДОСТЕРЕЖЕНИЕ: Наткнувшись на посторонний предмет, выключите двигатель. Отсоедините провод от свечи зажигания, тщательно осмотрите газонокосилку на предмет повреждений, и устраните повреждения перед повторным запуском и эксплуатацией газонокосилки. Сильная вибрация газонокосилки во время работы является признаком повреждения. Устройство следует незамедлительно осмотреть и отремонтировать.

10-7 ОСНОВАНИЕ

Нижнюю поверхность основания газонокосилки следует очищать после каждого использования, чтобы предотвратить скопление обрезков травы, листьев, грязи и т.п. Если такой мусор будет скапливаться, это приведет к появлению ржавчины и коррозии, и может снизить качество мульчирования. Для очистки основания наклоните газонокосилку и соскребите грязь подходящим инструментом (убедитесь, что провод зажигания отсоединен).

11. ИНСТРУКЦИИ ПО УХОДУ

СВЕЧА ЗАЖИГАНИЯ

Используйте только оригинальные свечи зажигания. Для максимально эффективной работы заменяйте свечу зажигания через каждые 100 часов эксплуатации.

12. ИНСТРУКЦИИ ПО СМАЗКЕ



ПРЕДУПРЕЖДЕНИЕ: ПЕРЕД НАЧАЛОМ ОБСЛУЖИВАНИЯ ОТСОЕДИНИТЕ СВЕЧУ ЗАЖИГАНИЯ.

1. КОЛЕСА - Смазывайте подшипники каждого колеса светлым маслом не реже одного раза в сезон.

2. ДВИГАТЕЛЬ - Следуйте указаниям по смазке, приведенным в руководстве по эксплуатации двигателя.
3. РЕГУЛЯТОР НОЖА - Смазывайте шарниры на рукоятке управления ножом и тормозной трос светлым маслом не реже одного раза в сезон. Регулятор ножа должен свободно перемещаться в обоих направлениях.

13. ОЧИСТКА



ПРЕДУПРЕЖДЕНИЕ: Не мойте двигатель из шланга. Вода может повредить двигатель или проникнуть в топливную систему.

1. Протрите основание сухой тканью.
2. Промывайте днище основания, наклонив газонокосилку так, чтобы свеча зажигания была вверх.

13-1 ВОЗДУШНЫЙ ФИЛЬТР ДВИГАТЕЛЯ



ПРЕДУПРЕЖДЕНИЕ: Не допускайте засорения сменного элемента воздушного фильтра грязью и пылью. Сменный элемент воздушного фильтра двигателя следует обслуживать (прочистить) через каждые 25 часов нормальной эксплуатации. Элемент из пеноматериала необходимо регулярно обслуживать, если газонокосилка используется в сухих пыльных условиях. (См. РУКОВОДСТВО ПО ЭКСПЛУАТАЦИИ ДВИГАТЕЛЯ)

ОЧИСТКА ВОЗДУШНОГО ФИЛЬТРА

1. Извлеките винт. (Рис. 10А, Рис. 10В)
2. Снимите крышку.
3. Промойте элемент воздушного фильтра водой с мылом. **НЕ ИСПОЛЬЗОВАТЬ БЕНЗИН!**
4. Пропустите воздушный фильтр сжатым воздухом.
5. Капните несколько капель масла SAE30 на элемент из вспененного материала и слегка сожмите, чтобы удалить излишек масла.
6. Установите фильтр на место.



ПРИМЕЧАНИЕ: Если фильтр изношен, порван, поврежден или не поддается чистке, его следует заменить.

13-2 НОЖ



ПРЕДУПРЕЖДЕНИЕ: Чтобы не допустить случайного пуска двигателя, обязательно отсоединяйте и заземляйте провод зажигания, прежде чем приступить к обслуживанию ножа. Если нужно взяться за нож, надевайте толстые перчатки или используйте обрезки ткани. Наклоните газонокосилку, как указано в отдельном руководстве по эксплуатации двигателя. Извлеките шестигранный болт с шайбой, которые удерживают нож с адаптером на коленвале двигателя. Отсоедините нож и адаптер от коленвала.



ПРЕДОСТЕРЕЖЕНИЕ: Периодически осматривайте адаптер ножа на предмет трещин, особенно в случае удара о посторонний предмет. При необходимости замените.

Для обеспечения максимально эффективной работы нож должен быть острым. Для изменения траектории ножа его необходимо снять и использовать шлифовальный круг либо напильник для придания ношу формы, как можно более близкой к первоначальной. Очень важно, чтобы режущие края были заточены одинаково, чтобы предотвратить нарушение балансировки ножа. Неправильная балансировка приведет к повышенной вибрации, что станет причиной повреждения двигателя и газонокосилки. Обязательно выполняйте балансировку ножа после заточки. Балансировку ножа можно проверить с помощью отвертки, используемой в качестве оси. Снимайте металл с более тяжелой стороны ножа, пока не добьетесь равномерной балансировки.

Перед установкой ножа и адаптера на газонокосилку смажьте коленвал двигателя и внутренние поверхности адаптера светлым маслом. Установите адаптер ножа на коленвал двигателя. См. Рис. 11. Установите нож стороной с номером детали от адаптера. Установите шайбу на нож и вставьте шестигранный болт. Затяните болт усилием, указанным ниже:

13-3 МОМЕНТ ЗАТЯЖКИ НОЖА

Центральный болт 40 - 50 Нм, для обеспечения безопасной эксплуатации устройства. Необходимо периодически проверять надежность затяжки ВСЕХ гаек и болтов.

После длительного использования, особенно в местностях с песчаной почвой, нож изнашивается и теряет первоначальную форму. Эффективность резки снижается, и нож следует заменить. В качестве замены используйте только ножи заводского производства и рекомендованных марок. Изготовитель не несет ответственность за повреждения, вызванные использованием ножей с неправильной балансировкой.

При замене ножа необходимо использовать оригинальные детали с маркировкой на лезвии (МАКИТА 263001826) (информацию о других ножах можно получить у местного дилера или в нашей компании).



ПРЕДОСТЕРЕЖЕНИЕ: Не прикасайтесь к вращающемуся лезвию.

13-4 ДВИГАТЕЛЬ

Инструкции по уходу за двигателем см. в отдельном руководстве по эксплуатации двигателя.

Замену масла выполняйте в соответствии с указаниями в отдельном руководстве по эксплуатации двигателя, которое входит в комплект поставки вашего устройства. Внимательно прочитайте инструкции и точно выполняйте все указания.

Обслуживайте воздушный фильтр согласно указаниям в отдельном руководстве по эксплуатации двигателя при нормальных условиях.

При эксплуатации в условиях сильного запыления очищайте через каждые несколько часов работы. Падение мощности двигателя и перелив топлива обычно указывают на необходимость очистки воздушного фильтра.

Указания по обслуживанию воздушного фильтра см. в отдельном руководстве по эксплуатации двигателя, которое входит в комплект поставки вашего устройства.

Свечу зажигания следует очищать и регулировать зазор электродов один раз в сезон. Рекомендуется заменять свечу зажигания в начале каждого сезона; тип свечи и зазор электродов см. в руководстве по эксплуатации двигателя.

Регулярно чистите двигатель тканью или щеткой.

Поддерживайте чистоту системы охлаждения (область корпуса вентилятора) для надлежащей циркуляции воздуха. Это обеспечит нормальную работу и продлит срок службы двигателя.

Обязательно удаляйте траву, грязь и горючий мусор из области глушителя.

14. УКАЗАНИЯ ПО ХРАНЕНИЮ (МЕЖДУ СЕЗОНАМИ)

Для подготовки газонокосилки к длительному хранению выполните следующее.

1. Опорожните бак после окончания сезона садовых работ.

а) Слейте бензин из бака с помощью насоса.



ПРЕДУПРЕЖДЕНИЕ: Не сливайте бензин в закрытых помещениях, вблизи от открытого огня и т.п. Не курить! Пары бензина могут вызвать взрыв или возгорание.

б) Запустите двигатель и дайте ему поработать до тех пор, пока он не выработает остатки топлива и не заглохнет.

в) Снимите свечу зажигания. Залейте примерно 20 мл масла в камеру сгорания. Поработайте стартером, чтобы равномерно распределить масло по камере сгорания. Установите на место свечу зажигания.

2. Тщательно очистите и смажьте газонокосилку, как описано в разделе “Смазка”.
3. Слегка смажьте нож, чтобы предотвратить его коррозию.
4. Храните газонокосилку в сухом, чистом, защищенном от морозов месте, вне досягаемости посторонних лиц.



ПРЕДУПРЕЖДЕНИЕ: Перед помещением газонокосилки на хранение двигатель должен полностью остыть.



ПРИМЕЧАНИЕ:

- В случае хранения любого оборудования с силовой установкой в непроветриваемом помещении или на

складе материалов, необходимо принять меры для предотвращения коррозии и ржавчины. Нанесите на оборудование светлое масло или силиконовое масло, особенно на кабели и все подвижные части.

- Не перегибайте и не перекручивайте кабели.
- Если трос стартера отсоединится от направляющей на рукоятке, отсоедините и заземлите провод зажигания, нажмите на рукоятку управляющей частью и медленно вытяните трос стартера из двигателя. Наденьте трос стартера на болт направляющей троса на рукоятке.

Транспортировка

Выключите двигатель. Не допускайте деформации и повреждения ножа при наезде газонокосилки на препятствия.

15. ПОИСК И УСТРАНЕНИЕ НЕИСПРАВНОСТЕЙ

ПРОБЛЕМА	ВОЗМОЖНАЯ ПРИЧИНА	СПОСОБ УСТРАНЕНИЯ
Двигатель не запускается.	Неправильное положение воздушной заслонки для данных условий.	Установите воздушную заслонку в правильное положение.
	Топливный бак пуст.	Залейте топливо в бак: см. РУКОВОДСТВО ПО ЭКСПЛУАТАЦИИ ДВИГАТЕЛЯ.
	Загрязнен фильтрующий элемент воздушного фильтра.	Очистите воздушный фильтр: см. РУКОВОДСТВО ПО ЭКСПЛУАТАЦИИ ДВИГАТЕЛЯ.
	Не затянута свеча зажигания.	Затяните свечу зажигания усилием 25 - 30 Нм.
	Не закреплен или отсоединен провод зажигания.	Установите провод зажигания на свечу.
	Неправильный зазор электродов свечи зажигания.	Установите зазор между электродами свечи 0,7 - 0,8 мм.
	Неисправна свеча зажигания.	Установите новую свечу с правильным зазором электродов: см. РУКОВОДСТВО ПО ЭКСПЛУАТАЦИИ ДВИГАТЕЛЯ.
	Перелив топлива в карбюратор.	Снимите фильтрующий элемент воздушного фильтра и вытягивайте трос стартера до тех пор, пока из карбюратора не сольется излишек топлива, после чего установите воздушный фильтр на место.
Затруднения с пуском двигателя или потеря мощности двигателя.	Грязь, вода в топливе или старое топливо.	Слейте топливо и очистите бак. Залейте в бак чистое, свежее топливо.
	Засорено вентиляционное отверстие в крышке топливном баке.	Очистите или замените крышку топливного бака.
	Загрязнен фильтрующий элемент воздушного фильтра.	Очистите воздушный фильтр.
Неустойчивая работа двигателя.	Неисправна свеча зажигания.	Установите новую свечу с правильным зазором электродов: см. РУКОВОДСТВО ПО ЭКСПЛУАТАЦИИ ДВИГАТЕЛЯ.
	Неправильный зазор электродов свечи зажигания.	Установите зазор между электродами свечи 0,7 - 0,8 мм.
	Загрязнен фильтрующий элемент воздушного фильтра.	Очистите воздушный фильтр: см. РУКОВОДСТВО ПО ЭКСПЛУАТАЦИИ ДВИГАТЕЛЯ.
Неустойчивая работа двигателя на холостых оборотах.	Загрязнен фильтрующий элемент воздушного фильтра.	Очистите воздушный фильтр: см. РУКОВОДСТВО ПО ЭКСПЛУАТАЦИИ ДВИГАТЕЛЯ.
	Заблокированы вентиляционные щели в кожухе двигателя.	Удалите мусор из отверстий.
	Засорены ребра теплоотвода и воздушные каналы под корпусом вентилятора.	Удалите мусор из ребер теплоотвода и воздушных каналов.
Перебои в работе двигателя на высоких оборотах.	Недостаточный зазор между электродами свечи зажигания.	Установите зазор между электродами свечи 0,7 - 0,8 мм.
Перегрев двигателя.	Недостаточный поток воздуха охлаждения.	Удалите мусор из щелей кожуха, корпуса вентилятора и воздушных каналов.
	Свеча зажигания неверного типа.	Установите свечу зажигания Rj19LMC и ребра теплоотвода.
Сильная вибрация газнокосилки.	Не закреплен режущий блок.	Затяните крепление ножа.
	Нарушена балансировка режущего блока.	Выполните балансировку ножа.

16. ГАРАНТИЯ

Гарантия на данное изделие предоставляется в

соответствии с правовыми нормами на срок 12 месяцев с момента приобретения первым владельцем.

Данная гарантия распространяется на все неисправности материалов или производственные дефекты и не распространяется на дефекты деталей вследствие обычного износа и амортизации (такие, как подшипники, щетки, кабели, свечи зажигания или дополнительные принадлежности, такие как сверла, пильные полотна и т.д.), повреждения или дефектов вследствие неправильной эксплуатации, аварий или модификаций и не включает транспортные затраты. Компания сохраняет за собой право на отклонение рекламаций в случае, если факт приобретения не может быть подтвержден или очевидна ненадлежащая эксплуатация устройства. (Вентиляционные отверстия чистые, угольные щетки проходили регулярное обслуживание.) Сохраняйте квитанцию о приобретении в качестве доказательства даты покупки. Собранный инструмент необходимо вернуть дилеру в приемлемом чистом состоянии, в оригинальном кожухе, формованном с раздувом (если применимо для устройства), и с документами для доказательства факта приобретения.

Модель: PLM5120

Измеренный уровень звуковой мощности:
92,3 дБ (А)

Гарантированный уровень звуковой мощности:
98 дБ (А)

Модель: PLM5121

Измеренный уровень звуковой мощности:
92,4 дБ (А)

Гарантированный уровень звуковой мощности:
98 дБ (А)

30.11.2011



Tomoyasu Kato (Томоюшу Като)
Директор
Makita Corporation
3-11-8, Sumiyoshi-cho,
Anjo, Aichi, JAPAN

17. ОКРУЖАЮЩАЯ СРЕДА

Если срок эксплуатации газонокосилки истек и ее требуется заменить, не выбрасывайте ее вместе с бытовыми отходами. Утилизируйте ее безопасным для окружающей среды способом.

18. ДЕКЛАРАЦИЯ О СООТВЕТСТВИИ ЕС

(Только для европейских стран)

Makita Corporation, являясь ответственным производителем, заявляет, что следующие устройства Makita:

Обозначение устройства: Бензогозокосилка
№ модели / тип: PLM5120, PLM5121

Технические характеристики: См. "4. ТЕХНИЧЕСКИЕ ДАННЫЕ"

являются серийными изделиями и

соответствуют следующим директивам ЕС:

2004/108/ЕС, 2006/42/ЕС,

2000/14/ЕС и 2005/88/ЕС

И изготовлены в соответствии со следующими стандартами или нормативными документами:

EN ISO 14982, EN836

Техническая документация хранится у официальных представителей в Европе:

Makita International Europe Ltd.

Michigan Drive, Tongwell,

Milton Keynes, Bucks MK15 8JD, England

Процедура оценки соответствия согласно директиве 2000/14/ЕС была проведена в соответствии с приложением V.

Уполномоченный орган:

TÜV SÜD Industrie Service GmbH

Westendstraße 199, 80686 München, Deutschland

Идентификационный номер: 0036

Пояснення загального виду

- | | | |
|--------------------------------------|----------------------------------|---------------------|
| 1. Ручка керування гальмами | 7. Затискач для кріплення кабелю | 14. Ручка стартера |
| 2. Верхня ручка | 8. Важіль регулювання висоти | 15. Болт |
| 3. Ручка керування самостійним рухом | 9. Корпус | 16. Шайба |
| 4. Важіль дроселювання | 10. Бокова відкидна заслінка | 17. Кнопка підсоосу |
| 5. Фіксатор пускового шнура | 11. Свічка запалювання | 18. Гвинт |
| 6. Фіксуюча рукоятка | 12. Кришка паливного баку | |
| | 13. Кришка для заливання мастила | |



УВАГА:

Для забезпечення Вашої особистої безпеки перед початком роботи з інструментом, будь ласка, прочитайте цю інструкцію з експлуатації. Недотримання цих інструкцій може спричинити серйозні травми. Оглядайте газонокосарку перед кожним використанням.



Застереження: двигун гарячий.

2. ЗАГАЛЬНІ ПРАВИЛА БЕЗПЕКИ



УВАГА: Щоб зменшити ризик серйозного травмування та/або пошкодження пристрою, під час використання бензинових інструментів необхідно суворо дотримуватись основних правил техніки безпеки, включаючи нижченаведені положення. Перед початком роботи з цим інструментом прочитайте усі інструкції і збережіть їх для подальшого використання.



УВАГА: Під час роботи цей пристрій утворює електромагнітне поле. За певних обставин це поле може впливати на активні або пасивні медичні імплантати. Щоб зменшити ризик отримання серйозних та смертельних тілесних ушкоджень, ми рекомендуємо особам з медичними імплантатами перед використанням цього пристрою звернутися до лікаря та виробника медичних імплантатів.

1. МАРКУВАННЯ НА ВИРОБІ



Прочитайте інструкцію з експлуатації.



Тримайте дистанцію від людей.



Під час роботи слідкуйте за руками і ногами, щоб уникнути травм.



Паливо вогнебезпечне, тому тримайтеся подалі від вогню. Не заливайте паливо у працюючий пристрій.



Отруйні гази. Не використовуйте пристрій у приміщенні.



Перед використанням газонокосарки надягайте окуляри і вставляйте вушні затички.



Перед ремонтуванням, будь ласка, викрутіть свічку запалювання, а потім здійсніть ремонт згідно з інструкцією.

Інструктаж користувача

- Уважно прочитайте інструкцію з експлуатації. Ознайомтеся зі всіма засобами керування пристроєм, а також із правилами його належного використання.
- Ніколи не дозволяйте користуватися бензиною газонокосаркою особам, не ознайомленим з цими інструкціями, та дітям. Місцеві норми можуть обмежувати віковий поріг оператора.
- Ніколи не використовуйте газонокосарку, коли інші люди, особливо діти, або домашні тварини знаходяться поблизу.
- Пам'ятайте, що оператор або користувач несе відповідальність за нещасні випадки та створення небезпечних ситуацій, що можуть зашкодити людям та їхньому майну.

Підготовка

- Перед використанням газонокосарки завжди надягайте міцне взуття та довгі штани. Забороняється використовувати інструмент босоніж або у відкритих сандаліях.

- Уважно обстежте роботу ділянку, на якій Ви будете застосовувати пристрій, і позбудьтеся усіх речей, об які пристрій може вдаритися.
- УВАГА! Бензин є легкозаймистою речовиною.
 - Зберігайте паливо у спеціально призначених контейнерах.
 - Заливайте паливо тільки поза приміщенням і не паліть у цей час.
 - Доливайте паливо перед запуском двигуна. Ніколи не знімайте кришку паливного баку і не доливайте бензин під час роботи двигуна або коли двигун гарячий.
 - Якщо бензин пролився, не намагайтеся запустити двигун, а перемістіть пристрій від цього місця і не створюйте джерела займання, доки випари бензину не розвіються.
 - Надійно закрутіть кришку паливного баку і кришку паливного контейнера.
- Замініть несправні глушники.
- Перед використанням завжди візуально перевіряйте, щоб усі ріжучі полотна, болти і деталі ріжучої частини не були зношені або пошкоджені. Завжди замінійте увесь комплект зношених або пошкоджених ріжучих полотен і болтів, щоб зберегти балансування.

Робота

- Не використовуйте інструмент в обмеженому просторі, де може збиратися небезпечний чадний газ.
- Використовуйте газонокосарку тільки за наявності денного світла або при яскравому штучному освітленні.
- За можливості уникайте роботи у мокрій траві.
- Завжди впевнено стійте на всій поверхні підшов.
- Ходіть, ніколи не біжіть.
- Під час використання пристроїв на колесах пересувайте їх поперек похилої поверхні, а не вгору та вниз.
- Будьте надзвичайно уважні, коли Ви змінюєте напрямок руху газонокосарки на похилій поверхні.
- Не використовуйте газонокосарку на дуже крутих схилах.
- Будьте надзвичайно уважні, коли розвертаєте бензинову газонокосарку або тягнете її на себе.
- Зупиніть ріжуче (-і) полотно (-а), якщо потрібно нахилити бензинову газонокосарку та перенести через ділянку, де не росте газон, або з однієї робочої ділянки на іншу.
- Ніколи не використовуйте бензинову газонокосарку із пошкодженими захисними кожухами або без інших захисних пристроїв, наприклад, відбивачів та/або травозбірника.
- Не змінюйте налаштування регулятора обертів двигуна і не перевищуйте допустиму швидкість двигуна.
- Перед запуском двигуна розблокуйте ріжучі полотна та обертальні частини приводного вузла.
- Обережно запустіть двигун згідно з наведеними інструкціями, тримаючи ноги подалі від ріжучого (-их) полотна (-ен).
- Не нахильте бензинову газонокосарку під час запуску двигуна.

- Під час запуску двигуна не стійте напроти жолоба викиду.
- Не наближайте руки та ноги до частин, що обертаються. Завжди тримайтеся на відстані від отвору викиду.
- Ніколи не піднімайте і не переносьте бензинову газонокосарку під час роботи двигуна.
- Завжди зупиняйте двигун і від'єднуйте дріт свічки запалювання та перевіряйте, щоб усі рухомі частини повністю зупинилися, а також витягуйте ключ, якщо він використовувався:
 - перед усуненням блокування або видаленням засмічення із жолоба.
 - перед перевіркою, очищенням або роботою з бензиною газонокосаркою.
 - після удару зі сторонніми предметами; огляньте бензинову газонокосарку на наявність пошкоджень, виконайте необхідний ремонт та тільки після цього продовжуйте роботу.
 - якщо бензинова газонокосарка починає незвично вібрувати (негайно перевірте).
- Завжди зупиняйте двигун і від'єднуйте дріт свічки запалювання та перевіряйте, щоб усі рухомі частини повністю зупинилися, а також витягуйте ключ, якщо він використовувався:
 - коли Ви залишаєте бензинову газонокосарку.
 - перед дозаправленням паливом.
- Під час зупинки двигуна зменште рівень подачі палива, і якщо двигун оснащений відсічним клапаном, вимкніть подачу палива наприкінці роботи.

Технічне обслуговування та зберігання

- Щоб гарантувати безпечну роботу інструмента, перевіряйте надійність затягування всіх гайок, болтів та гвинтів.
- Якщо у баку інструмента залишається бензин, не зберігайте інструмент у приміщенні, де випаровування бензину можуть дістатися до відкритого вогню або іскри.
- Перед зберіганням у закритому просторі зачекайте, доки двигун охолоне.
- Щоб зменшити ризик займання, слідкуйте, щоб у двигуні, глушнику, акумуляторному відсіку та у місці зберігання палива не було трави, листя або надлишку мастила.
- Часто перевіряйте травозбірник на наявність ознак зношення або пошкодження.
- Щоб забезпечити безпечне використання пристрою, замінійте зношені або пошкоджені деталі.
- Зливати паливо з баку слід поза приміщенням.



УВАГА: Не торкайтеся ріжучого полотна, що обертається.



УВАГА: Заливайте паливо, коли двигун зупинений, у місці, яке добре провітрюється.

3. ОПИС ДЕТАЛЕЙ (мал. 1А та 1В)

Включаючи

А: Свічний ключ

В: Канал викиду

4. ТЕХНІЧНІ ДАНІ

Модель	PLM5121	PLM5120
Тип двигуна	Серія B&S675EX, ReadyStart, 126T	Серія B&S625E, 122T
Самохідність	Так	Ні
Робочий об'єм двигуна	190 см ³	190 см ³
Ширина ріжучого полотна	510 мм	510 мм
Номінальна швидкість	2800 об/хв	2800 об/хв
Об'єм паливного баку	1,0 л	1,0 л
Вага нетто	31,7 кг	28 кг
Регулювання висоти:	25–70 мм, 5 положень	
Звуковий тиск (рівень акустичної потужності) у місці знаходження користувача (k = 3 дБ(A))	79,2 дБ(A)	78,9 дБ(A)
Рівень акустичної потужності L _{WA}	98 дБ(A)	98 дБ(A)
Вібрація (k = 1,5 м/с ²)	2,305 м/с ²	2,056 м/с ²

5. ЗБИРАННЯ

5-1 ЗБИРАННЯ СКЛАДАНОЇ РУЧКИ

1. Приєднайте нижні стрижні ручки до корпусу пристрою за допомогою фіксуючих рукояток, як показано на малюнках (мал. 2А, мал. 2В, мал. 2С, мал. 2D).
2. З'єднайте верхню і нижню частини ручки за допомогою фіксуючої рукоятки (мал. 2Е, мал. 2F, мал. 2G).
3. Прикріпіть затискач для кріплення кабелю у положення, що відображено на малюнку, а потім прикріпіть сам кабель (мал. 2Н).

6. РЕГУЛЮВАННЯ ВИСОТИ СКОШУВАННЯ

Натисніть на важіль, щоб витягнути його із зубчастої рейки. Щоб відрегулювати висоту, пересуньте важіль вперед або назад.

Висоту (відстань від ріжучого полотна до землі) можна встановити від 25 мм (1 положення: найнижче положення) до 70 мм (5 положення: найвище положення), 5 положень висоти (мал. 3А, мал. 3В).

Перед зміною висоти скошування зупиніть газонокосарку та від'єднайте дріт свічки запалювання.



УВАГА: Здійснювати регулювання висоти можна тільки тоді, коли ріжуче полотно зупинене.

7. РЕГУЛЮВАННЯ ЗРУЧНОЇ ВИСОТИ РУЧКИ (мал. 4А, мал. 4В)

1. Відкрутіть фіксуючі рукоятки, якими кріпиться нижня частина ручки, як відображено на мал. 4А.
2. Як показано на мал. 4В, пересуньте нижню частину ручки вгору або вниз, щоб відрегулювати зручну висоту.
На бензинових газонокосарках цього типу є 3 положення висоти: положення 1 – найвище, положення 3 – найнижче.
3. Після встановлення зручної висоти знову приєднайте нижню частину ручки за допомогою фіксуючих рукояток.



УВАГА: Висота нижньої частини ручки повинна бути однаково відрегульована справа і зліва.

8. РУЧКА СТАРТЕРА (мал. 5)

Переставте ручку стартера з двигуна до фіксатора пускового шнура.

9. “2 В 1”

9-1 ПЕРЕНАЛАШТУВАННЯ НА БОКОВИЙ ВИКИД ТРАВИ

1. Підніміть бокову відкидну заслінку для бокового викиду (мал. 6А).
2. Приєднайте напрямну для бокового викиду до опорного пальця бокової відкидної заслінки (мал. 6А, мал. 6В).

3. Опустіть бокову відкидну заслінку – заслінка розташується на каналі викиду (мал. 6С).



Тільки за умов, коли двигун і ріжуче полотно повністю зупинені!

9-2 ГАЗОНОКОСАРКА З ФУНКЦІЄЮ МУЛЬЧУВАННЯ

Що таке мульчування?

Під час мульчування трава спочатку скошується, а потім подрібнюється і скидається на скошену смужку у якости природного добрива.

Поради з мульчування:

- Регулярно зрізуйте не більше 2 см, висота трави повинна сягати від 6 см до 4 см
- Ніж повинен бути гострим
- Не скошуйте мокру траву
- Установлюйте двигун на максимальну швидкість
- Не пересувайте газонокосарку занадто швидко
- Регулярно чистьте мульчувальний клин, внутрішню сторону корпусу та ріжуче полотно



УВАГА: Тільки за умов, коли двигун і ріжуче полотно повністю зупинені.

1. Підніміть бокову відкидну заслінку і змініть канал викиду (мал. 7А, мал. 7В).

- Бокова відкидна заслінка автоматично закrije отвір викиду на корпусі завдяки зусиллю пружини.
- Регулярно чистьте бокову відкидну заслінку і отвір викиду від залишків трави і налиплиго броду.

10. ІНСТРУКЦІЇ З ЕКСПЛУАТАЦІЇ

10-1 ПЕРЕД ЗАПУСКОМ

Заправте двигун бензином і мастилом, як вказано в окремій інструкції з експлуатації двигуна, що входить до комплекту Вашою газонокосарки. Уважно прочитайте цю інструкцію з експлуатації.



УВАГА: Бензин є легкозаймистою речовиною.

Зберігайте паливо у спеціально призначених контейнерах.

Заливайте паливо тільки поза приміщенням та перед запуском двигуна; не паліть під час заправлення та роботою з паливом.

Ніколи не знімайте кришку паливного баку і не доливайте бензин під час роботи двигуна або коли двигун гарячий.

Якщо бензин пролився, не намагайтеся запустити двигун, а перемістіть пристрій від цього місця і не створюйте джерела займання, доки випари бензину не розвіються.

Надійно закрутіть кришку паливного баку і кришку паливного контейнера.

Перед тим як перевертати бензинову газонокосарку, щоб почистити ріжуче полотно або злити мастило, злийте паливо з баку.



УВАГА: Ніколи не заливайте паливо у бак, коли двигун працює, а також впродовж хоча б 15 хвилин після його роботи.

10-2 ЗАПУСК ДВИГУНА І РОБОТА РІЖУЧОГО ПОЛОТНА

1. На кінці свічки запалювання є гумова частина; переконайтеся, що металева петля на кінці дроту свічки запалювання (всередині гумової частини) була надійно зчеплена з металевим кінчиком свічки запалювання.

2.1. Для PLM5121:

Перед запуском холодного або теплого двигуна пересуньте важіль дроселювання у будь-яке положення між "☁" і "☁". Під час роботи пересуньте важіль дроселювання у положення "☁" (мал. 8В).

2.2. Для PLM5120:

Перед запуском холодного двигуна натисніть кнопку підсосу 3–5 разів та пересуньте важіль дроселювання у положення "☁". У раз запуску теплого двигуна і впродовж роботи пересуньте важіль дроселювання у положення "☁" (мал. 8А, мал. 8В).

3. Станьте позаду пристрою, візьміться за ручку керування гальмами і притисніть її до верхньої ручки, як показано на мал. 8С.

4. Візьміться за ручку стартера, як показано на мал. 8С, та різко потягніть. Після запуску двигуна повільно поверніть її до фіксатора пускового шнура.

Щоб зупинити двигун і ріжуче полотно, відпустіть ручку керування гальмами (мал. 8D).



Обережно запустіть двигун згідно з наведеними інструкціями, тримаючи ноги подалі від ріжучого полотна.



Не нахилийте бензинову газонокосарку під час запуску двигуна. Запускайте газонокосарку на рівній поверхні без високої трави та будь-яких перешкод.



Руки і ноги слід тримати осторонь від рухомих частин. Під час запуску двигуна не стійте напроти отвору викиду.

10-3 ПРОЦЕДУРА ЕКСПЛУАТАЦІЇ

Під час роботи міцно тримайте ручку гальма обома руками.



ПРИМІТКА: Якщо під час роботи відпустити ручку гальма, двигун зупиниться та бензинова газонокосарка припинить працювати.

10-4 ЗАПИНКА ДВИГУНА



ЗАСТЕРЕЖЕННЯ: Після зупинки двигуна ріжуче полотно продовжуватиме обертатися декілька секунд.

1. Щоб зупинити двигун і ріжуче полотно, відпустіть ручку керування гальмами.
2. Щоб попередити випадковий запуск двигуна, коли пристрій залишається без нагляду, від'єднайте дріт свічки запалювання та положіть його на землю, як вказано в окремій інструкції з експлуатації двигуна.

10-5 НАЛАШТУВАННЯ САМОСТІЙНОГО РУХУ

Для PLM5121

Потягніть ручку керування самостійним рухом, бензинова газонокосарка буде автоматично рухатися вперед зі швидкістю приблизно 3,6 км/год (мал. 9), відпустіть ручку керування самостійним рухом, бензинова газонокосарка зупиниться.



ЗАСТЕРЕЖЕННЯ: Ваша газонокосарка призначена для скошування газонної трави висотою не вище 250 мм.

Не намагайтеся скошувати дуже високу суху та мокру траву (наприклад, на лузі) або збирати купи сухого листа. Залишки можуть накопичуватися на корпусі газонокосарки або потрапити до вихлопного отвору двигуна, що може призвести до пожежі.

10-6 ПОРАДИ ЩОДО ЕФЕКТИВНОГО СКОШУВАННЯ

Очистіть газон від сміття. Перевірте, щоб на газоні не було каміння, гілок, дротів ті інших сторонніх предметів, які газонокосарка може відкинути у будь-якому напрямку і які можуть травмувати оператора та інших людей, а також зашкодити майну та навколишньому оточенню. Не скошуйте мокру траву. Щоб робота була ефективною, не скошуйте мокру траву, тому що вона може налипнути на дно корпусу та завадити скошуванню. Скошуйте траву не більше, ніж на 1/3 її довжини. Скошувати траву рекомендується не більше, ніж на 1/3 довжини. Слід відрегулювати швидкість пересування, щоб настриг рівномірно розсіювався газоном. Для особливо важкого скошування густої трави краще працювати на низькій швидкості, щоб трава на ділянці була рівно скошена. Високу траву краще скошувати за два рази, опустивши під час другого скошування ріжуче полотно ще на 1/3 висоти й змінивши напрям пересування. Під час кожного наступного прогону частково переключайте попередній прогін, щоб на газоні не залишилось окремих бадилин трави. Газонокосарка повинна завжди працювати з максимальною подачею палива, щоб скошування було максимально ефективним. Чистьте дно корпусу. Після кожного використання чистьте дно корпусу, щоб уникнути налипання трави, яке може стати причиною неякісного мультчування. Збирання листя. Можливо, у Вас також з'явиться необхідність зібрати листя на газоні. Перед

збиранням листя переконайтеся, що воно сухе та лежить не занадто товстим шаром. Не чекайте, доки опаде все листя з дерев.



УВАГА: Якщо газонокосарка зачепить сторонній предмет, зупиніть двигун. Від'єднайте дріт від свічки запалювання, уважно обстежте газонокосарку на наявність пошкоджень та полагоdtype її перед наступним використанням. Сильна вібрація під час роботи газонокосарки є ознакою її пошкодження. Негайно обстежте й полагоdtype пристрій.

10-7 КОРПУС

Чистьте дно корпусу після кожного використання газонокосарки, щоб запобігти налипанню трави, листя, бруду та ін. Накопичення таких залишків призведе до появи іржі та корозії, а також завадить належному мультчуванню. Корпус можна почистити, перевернувши газонокосарку і відскобливши дно придатним для цього інструментом (перевірте, щоб дріт свічки запалювання був від'єднаний).

11. ІНСТРУКЦІЇ ЩОДО ТЕХНІЧНОГО ОБСЛУГОВУВАННЯ

СВІЧКА ЗАПАЛЮВАННЯ

Використовуйте для заміни тільки оригінальні свічки запалювання. Для отримання найкращих результатів замініть свічку запалювання через кожні 100 годин роботи.

12. ІНСТРУКЦІЇ ЩОДО ЗМАЩУВАННЯ



ЗАСТЕРЕЖЕННЯ: ПЕРЕД ПРОВЕДЕННЯМ ТЕХНІЧНОГО ОБСЛУГОВУВАННЯ ВІД'ЄДНАЙТЕ СВІЧКУ ЗАПАЛЮВАННЯ.

1. КОЛЕСА – Змащуйте шарикопідшипники у кожному колесі легким мастилом хоча б один раз на сезон.
2. ДВИГУН – Дотримуйтеся інструкції з експлуатації двигуна стосовно його змащування.
3. КЕРУВАННЯ РІЖУЧИМ ПОЛОТНОМ – Змащуйте точки обертання на ручці керування ріжучим полотном і трос гальма легким мастилом хоча б один раз на сезон. Ручка керування ріжучим полотном має вільно працювати в обох напрямках.

13. ЧИЩЕННЯ



ЗАСТЕРЕЖЕННЯ: Не поливайте двигун зі шланга. Вода може пошкодити двигун або забруднити паливну систему.

1. Витирайте корпус сухою ганчіркою.
2. Помийте зі шланга дно корпусу, перевернувши газонокосарку так, щоб свічка запалювання знаходилася вертикально.



ЗАСТЕРЕЖЕННЯ: Слідкуйте за тим, щоб фільтруючий елемент повітряного фільтра не засмітився брудом та пилом. Повітроочисник двигуна треба обслуговувати (чистити) після кожних 25 годин звичайної роботи. Фільтруючий елемент треба обслуговувати регулярно, якщо газонокосарка використовується у сухому пильному середовищі. (Зверніться до ІНСТРУКЦІЇ З ЕКСПЛУАТАЦІЇ ДВИГУНА)

ЧИЩЕННЯ ПОВІТРЯНОГО ФІЛЬТРА

1. Відкрутіть гвинт (мал. 10А, мал. 10В).
2. Зніміть кришку.
3. Помийте фільтруючий елемент у мильній воді. **НЕ ВИКОРИСТОВУЙТЕ БЕНЗИН!**
4. Висушіть фільтруючий елемент на повітрі.
5. Налийте кілька крапель мастила SAE30 на фільтруючий елемент і міцно стисніть його, щоб видалити надлишок мастила.
6. Установіть фільтр.



ПРИМІТКА: Замініть фільтр, якщо він зносився, порвався, пошкодився або його неможливо вимити.

13-2 РІЖУЧЕ ПОЛОТНО



ЗАСТЕРЕЖЕННЯ: Щоб попередити випадковий запуск двигуна, від'єднайте і положіть на землю дрів свічки запалювання перед роботою з ріжучим полотном. Надягайте товсті рукавиці або використовуйте товсту тканину під час роботи з ріжучим полотном. Перевертайте газонокосарку, як вказано в інструкції з експлуатації двигуна. Зніміть болт із шестигранною головкою і шайбу, які приєднують ріжуче полотно та адаптер ріжучого полотна до колінчатого валу двигуна. Від'єднайте ріжуче полотно та адаптер ріжучого полотна від колінчатого валу двигуна.



УВАГА: Періодично оглядайте адаптер ріжучого полотна на наявність тріщин, особливо якщо газонокосарка зачепила сторонній предмет. Замініть його, якщо це необхідно. Для досягнення найкращих результатів ріжуче полотно повинно бути гострим. Ріжуче полотно можна нагострити; для цього його треба зняти і наточити або відшліфувати ріжучий край, намагаючись зберегти первинний кут. Надзвичайно важливо рівномірно нагострити кожний ріжучий край, щоб не порушити балансування ріжучого полотна. Порушення балансування ріжучого полотна може призвести до надмірної вібрації та пошкодження двигуна і газонокосарки. Перевірте точність балансування ріжучого полотна після нагострення. Балансування ріжучого полотна можна перевірити за допомогою викрутки з круглим перерізом. Знімайте метал з важкої сторони, доки не буде встановлена рівновага.

Перед приєднанням ріжучого полотна і адаптера ріжучого полотна до пристрою змастіть колінчатий вал двигуна та внутрішню поверхню адаптера ріжучого полотна легким мастилом. Приєднайте адаптер ріжучого полотна до колінчатого валу двигуна. Див.

мал. 11. Розташуйте ріжуче полотно таким чином, щоб номер деталі знаходився із протилежного боку від адаптера. Сумістіть шайбу із ріжучим полотном і вставте болт із шестигранною головкою. Затягніть болт із шестигранною головкою крутним моментом, що зазначений нижче:

13-3 КРУТНИЙ МОМЕНТ ЗАТЯГУВАННЯ РІЖУЧОГО ПОЛОТНА

Центральний болт 40 Нм–50 Нм для безпечної роботи пристрою. Треба періодично перевіряти затягнення УСІХ гайок і болтів.

Після тривалого використання, особливо в умовах піщаного ґрунту, ріжуче полотно зношується і втрачає первинну форму. Ефективність скошування зменшується і з'являється потреба в заміні ріжучого полотна. Замінійте тільки ріжучим полотном, виготовленим на рекомендованому заводі. Виробник не несе відповідальності за можливі пошкодження внаслідок відсутності балансування ріжучого полотна. Установлюйте тільки оригінальне ріжуче полотно з маркуванням (MAKITA 263001826) (щоб замовити таке ріжуче полотно, зверніться до місцевого дилера або зателефонуйте до нашої компанії).



УВАГА: Не торкайтеся ріжучого полотна, що обертається.

13-4 ДВИГУН

Інформацію щодо технічного обслуговування двигуна можна прочитати в окремій інструкції з експлуатації двигуна.

Змашуйте двигун згідно з інформацією, що вказана в окремій інструкції з експлуатації двигуна, яка входить до комплекту Вашого пристрою. Уважно прочитайте інструкції та дотримуйтеся їх.

За звичайних умов використання проводіть технічне обслуговування повітроочисника згідно з інформацією, що вказана в окремій інструкції з експлуатації двигуна. У разі використання в дуже запиленому середовищі чистьте його через кілька годин роботи. Погана робота двигуна зазвичай означає, що треба провести технічне обслуговування повітроочисника. Інформацію щодо технічного обслуговування повітроочисника можна прочитати в інструкції з експлуатації двигуна, що входить до комплекту Вашого пристрою.

Свічку запалювання та зазор між електродами треба прочищати один раз на сезон. Свічку запалювання рекомендується замінювати на початку кожного сезону роботи; правильний тип свічки і характеристики зазору між електродами можна подивитися в інструкції з експлуатації двигуна.

Регулярно витирайте двигун тканиною або чистьте щіткою. Тримайте чистою охолоджувальну систему (блок вентилятора) для забезпечення належної циркуляції повітря; це необхідно для високої продуктивності та тривалої експлуатації двигуна.

Переконайтеся в тому, що з глушника видалена вся трава, бруд і займисті залишки.

14. ІНСТРУКЦІЇ ЗІ ЗБЕРІГАННЯ (ПІСЛЯ ЗАКІНЧЕННЯ СЕЗОНУ)

Щоб підготувати бензинову газонокосарку для зберігання, треба виконати дії, що зазначені нижче.

1. Спорожніть бак після останнього скошування у сезоні.
 - a) Зробіть це за допомогою відсмоктувального насосу.



ЗАСТЕРЕЖЕННЯ: Не зливайте бензин у зачинених кімнатах, близько від відкритого вогню тощо. Не паліть! Випари бензину можуть спричинити вибух або пожежу.

- b) Запустіть двигун і залиште його працювати, доки не буде використаний увесь бензин, що залишився, і двигун не зупиниться.
 - c) Зніміть свічку запалювання. За допомогою ручної маслянки налейте приблизно 20 мл мастила у камеру згоряння. Запустіть стартер, щоб рівномірно розподілити мастило по камері згоряння. Установіть свічку запалювання.
2. Ретельно почистіть та змастіть бензинову газонокосарку, як вказано в розділі "Змащування".
 3. Злегка змажте ріжуче полотно, щоб уникнути корозії.
 4. Зберігайте бензинову газонокосарку у сухому, чистому, захищеному від холода приміщенні подалі від сторонніх осіб.



ЗАСТЕРЕЖЕННЯ: Бензинову газонокосарку ставити на зберігання треба тільки після того, як двигун повністю охолоне.



ПРИМІТКА:

- У разі зберігання будь-якого обладнання у приміщенні, яке не вентилується або у якому зберігаються інші матеріали, треба захистити обладнання від іржі. Покрийте обладнання, особливо кабелі та усі рухомі частини, легким мастилом або силіконом.
- Не згинайте та не перекручуйте кабелі.
- Якщо пусковий шнур від'єднався від фіксатора на ручці, від'єднайте і помістіть на землю дріт свічки запалювання, послабте ручку керування ріжучим полотном і повільно витягніть пусковий шнур із двигуна. Засуньте пусковий шнур у фіксатор на ручці.

Транспортування

Вимкніть двигун. Не погніть і не пошкодуйте ріжуче полотно під час пересування бензинової газонокосарки через перешкоди.

15. УСУНЕННЯ НЕСПРАВНОСТЕЙ

ПРОБЛЕМА	МОЖЛИВА ПРИЧИНА	ЗАХОДИ З УСУНЕННЯ НЕСПРАВНОСТІ
Двигун не запускається.	Важіль дроселювання знаходиться у неправильному положенні для робочих умов.	Пересуньте важіль дроселювання у правильне положення.
	Паливний бак порожній.	Наповніть бак паливом: зверніться до ІНСТРУКЦІЇ З ЕКСПЛУАТАЦІЇ ДВИГУНА.
	Повітроочисник забруднений.	Почистіть повітроочисник: зверніться до ІНСТРУКЦІЇ З ЕКСПЛУАТАЦІЇ ДВИГУНА.
	Свічка запалювання послаблена.	Затягніть свічку запалювання із крутним моментом у 25–30 Нм.
	Дріт свічки запалювання послаблений або від'єднався від свічки.	Під'єднайте дріт до свічки запалювання.
	Неправильний зазор між електродами свічки запалювання.	Установіть зазор між електродами від 0,7 мм до 0,8 мм.
	Свічка запалювання пошкоджена.	Установіть нову свічку з правильним зазором між електродами: зверніться до ІНСТРУКЦІЇ З ЕКСПЛУАТАЦІЇ ДВИГУНА.
	Карбюратор заповнений паливом.	Зніміть повітроочисник і тягніть пусковий шнур, доки карбюратор не звільниться від палива, потім встановіть повітроочисник.
	Пошкодження в модулі запалювання.	Зверніться до сервісного агента.
Двигун важко запускається або втрачає потужність.	У паливному баку бруд, вода або паливо низької якості.	Злийте паливо та почистіть бак. Заповніть бак чистим свіжим паливом.
	Вентиляційний отвір у кришці паливного баку забруднений.	Почистіть або замініть кришку паливного баку.
	Повітроочисник забруднений.	Почистіть повітроочисник.
Двигун працює нерівномірно.	Свічка запалювання пошкоджена.	Установіть нову свічку з правильним зазором між електродами: зверніться до ІНСТРУКЦІЇ З ЕКСПЛУАТАЦІЇ ДВИГУНА.
	Неправильний зазор між електродами свічки запалювання.	Установіть зазор між електродами від 0,7 мм до 0,8 мм.
	Повітроочисник забруднений.	Почистіть повітроочисник: зверніться до ІНСТРУКЦІЇ З ЕКСПЛУАТАЦІЇ ДВИГУНА.
Поганий холостий хід двигуна.	Повітроочисник забруднений.	Почистіть повітроочисник: зверніться до ІНСТРУКЦІЇ З ЕКСПЛУАТАЦІЇ ДВИГУНА.
	Отвори для повітря у кожусі двигуна заблоковані.	Почистіть отвори від сміття.
	Охолоджувальні пластини і проходи для повітря під корпусом вентилятора двигуна заблоковані.	Почистіть охолоджувальні пластини і проходи для повітря від сміття.
Двигун перескакує на високу швидкість.	Зазор між електродами свічки запалювання замалий.	Установіть зазор між електродами від 0,7 мм до 0,8 мм.
Двигун перегрівається.	Обмежений потік охолоджувального повітря.	Почистіть кожух двигуна, корпус вентилятора, проходи для повітря.
	Неправильна свічка запалювання.	Установіть на двигун свічку запалювання RJ19LMC та охолоджувальні пластини.
Газонокосарка незвично вібрує.	Ріжуче полотно не затягнуте.	Затягніть ріжуче полотно.
	Ріжуче полотно не збалансоване.	Збалансуйте ріжуче полотно.

16. ГАРАНТІЯ

Гарантія на даний виріб поширюється відповідно до правових норм на 12 місяців від дати купівлі першим користувачем.

Ця гарантія покриває усі вади внаслідок неякісного матеріалу або виробництва; вона не поширюється на дефекти від природного зношення і поломки деталей, наприклад, підшипників, щіток, кабелів, свічок запалювання або додаткового приладдя, наприклад, свердел, наконечників, ріжучих полотен пилок тощо; пошкодження або дефекти внаслідок недбалого використання, нещасних випадків або змін будови пристрою; а також вона не поширюється на видатки на транспортування.

Ми залишаємо за собою право відхилити будь-яку претензію, коли факт купівлі неможливо підтвердити або технічне обслуговування пристрою не здійснювалось належним чином (регулярно чистьте вентиляційні отвори, перевіряйте вугільні щітки). Зберігайте чек як доказ дати здійснення купівлі. Пристрій у нерозібраному стані треба повернути Вашому дилеру у якомога чистішому стані, в оригінальній упаковці, якщо така була, з доказом здійснення купівлі.

17. НАВКОЛИШНЄ СЕРЕДОВИЩЕ

Якщо після тривалого використання Вам потрібний новий інструмент, не викидайте старий з домашнім сміттям, а здайте його до спеціального центру прийому старих інструментів.

18. ДЕКЛАРАЦІЯ ПРО ВІДПОВІДНІСТЬ СТАНДАРТАМ ЄС

(Тільки для країн Європи)

Ми, компанія Makita, як відповідальний виробник заявляємо, що наступне обладнання Makita:

Позначення обладнання: Бензинова газонакосарка № моделі/тип: PLM5120, PLM5121

Технічні характеристики: див. розділ "4. ТЕХНІЧНІ ДАНІ"

є серійним виробництвом та.

відповідає таким Європейським директивам:

2004/108/EC, 2006/42/EC, 2000/14/EC&2005/88/EC

та виготовлено відповідно до таких стандартів або стандартизованих документів:

EN ISO 14982, EN836

Технічна документація ведеться нашим уповноваженим представником у Європі:

Makita International Europe Ltd.
Michigan Drive, Tongwell,
Milton Keynes, Bucks MK15 8JD, Англія

Процедура оцінки відповідності, яка вимагається Директивою 2000/14/EC, відбулася згідно з додатком V.

Уповноважений орган:

TÜV SÜD Industrie Service GmbH
Westendstraße 199, 80686 München, Німеччина
Ідентифікаційний номер: 0036

Модель: PLM5120

Вимірний рівень акустичної потужності:
92,3 дБ(А)

Гарантований рівень акустичної потужності:
98 дБ(А)

Модель: PLM5121

Вимірний рівень акустичної потужності:
92,4 дБ(А)

Гарантований рівень акустичної потужності:
98 дБ(А)

30.11.2011



Томоязу Като

Директор

Makita Corporation
3-11-8, Sumiyoshi-cho,
Anjo, Aichi, JAPAN

- | | | |
|-------------------------------|---------------------------------|------------------------|
| 1. Uchwyt sterowania hamulcem | 7. Opaska zaciskowa przewodu | 13. Korek wlewu oleju |
| 2. Górna część uchwytu | 8. Dźwignia regulacji wysokości | 14. Uchwyt rozrusznika |
| 3. Uchwyt wyłącznika napędu | 9. Korpus | 15. Śruba |
| 4. Dźwignia ssania | 10. Kłapa boczna | 16. Podkładka |
| 5. Prowadnica linki | 11. Świeca zapłonowa | 17. Pompka zastrzykowa |
| 6. Pokrętko blokujące | 12. Korek wlewu paliwa | 18. Śruba |

**OSTRZEŻENIE:**

Ze względów bezpieczeństwa należy przeczytać niniejszą instrukcję przed rozpoczęciem eksploatacji nowego urządzenia. Nieprzestrzeganie instrukcji może być przyczyną poważnego wypadku. Należy poświęcić chwilę na zapoznanie się z kosiarką przed rozpoczęciem użytkowania.



Uwaga: Silnik jest gorący.

2. OGÓLNE ZASADY BEZPIECZEŃSTWA

OSTRZEŻENIE: Podczas pracy z urządzeniami spalinywymi należy przestrzegać podstawowych zasad bezpieczeństwa, również tych podanych poniżej, aby zmniejszyć niebezpieczeństwo obrażeń lub szkód materialnych. Należy przeczytać instrukcję przed rozpoczęciem użytkowania urządzenia; trzeba je zachować do przyszłego wykorzystania.



OSTRZEŻENIE: Podczas pracy maszyna wytwarza pole elektromagnetyczne. W pewnych warunkach pole to może zakłócać pracę aktywnych lub pasywnych implantów medycznych. Aby zmniejszyć ryzyko poważnych lub śmiertelnych obrażeń, zalecamy osobom z implantami medycznymi skonsultowanie się z lekarzem i producentem implantów medycznych, przed przystąpieniem do obsługi tej maszyny.

1. SYMBOLE UMIESZCZONE NA URZĄDZENIU

Należy przeczytać instrukcję obsługi.



Osoby postronne nie powinny się zbliżać do kosiarki.



Należy zwracać szczególną uwagę na dłonie i stopy, aby uniknąć obrażeń.



Paliwo jest łatwopalne, nie zbliżać się z otwartym ogniem. Nie wolno uzupełniać paliwa w pracującym urządzeniu.



Toksyczne opary; nie uruchamiać w pomieszczeniach.



Podczas koszenia należy nosić okulary ochronne i zatyczki do uszu.



Podczas naprawy należy wymontować świecę zapłonową, a następnie naprawić ją zgodnie z instrukcją obsługi.

Zaznajomienie się z urządzeniem

- Należy uważnie przeczytać niniejszą instrukcję. Należy również poznać elementy sterujące oraz zasady właściwego użytkowania urządzenia.
- Nie wolno dopuszczać, aby kosiarkę do trawy używały dzieci lub osoby, które nie zapoznały się z niniejszą instrukcją. Lokalne przepisy mogą ograniczać wiek użytkownika narzędzia.
- Nie wolno użytkować kosiarki, gdy w pobliżu znajdują się inne osoby (zwłaszcza dzieci) oraz zwierzęta.
- Należy pamiętać, że operator lub użytkownik odpowiada za wypadki lub niebezpieczeństwa zagrażające innym osobom lub ich mieniu.

Przygotowanie

- Podczas koszenia należy zawsze nosić odpowiednie mocne obuwie i długie spodnie. Nie wolno używać urządzenia, nie mając na stopach obuwia lub nosząc otwarte sandały.
- Należy dokładnie sprawdzić obszar, na którym ma być użytkowane urządzenie i usunąć wszystkie przedmioty, które mogą zostać przez nie wyrzucone.
- OSTRZEŻENIE** - Benzyna jest bardzo łatwopalna.

- Należy ją przechowywać w pojemnikach przeznaczonych do tego celu.
- Paliwo można uzupełniać tylko na wolnym powietrzu; nie wolno palić podczas uzupełniania paliwa.
- Paliwo należy dolać przed uruchomieniem silnika. Nie wolno zdejmować korka wlewu paliwa lub uzupełniać paliwa, gdy silnik pracuje lub gdy jest rozgrzany.
- W przypadku, gdy benzyna zostanie rozlana, nie wolno uruchamiać silnika, ale przesunąć kosiarkę z dala od obszaru pokrytego paliwem oraz zapobiegać powstaniu zapłonu aż do chwili, gdy opary benzyny ulotnią się.
- Należy sprawdzić, czy wszystkie korki wlewu paliwa i innych zbiorników są bezpiecznie założone.
- Wymienić wadliwe tłumiki.
- Przed rozpoczęciem użytkowania należy obejrzeć kosiarkę, aby upewnić się, że noże, śruby mocujące noże oraz układ tnący nie są zużyte lub uszkodzone. W przypadku zużycia lub uszkodzenia noży lub śrub mocujących należy wymienić cały zestaw, aby układ tnący był odpowiednio wyważony.

Obsługa

- Nie wolno użytkować silnika w zamkniętym pomieszczeniu, gdzie mogą gromadzić się niebezpieczne wyziewy tlenku węgla.
- Należy kosić tylko przy świetle dziennym lub odpowiednio silnym sztucznym oświetleniu.
- W miarę możliwości należy unikać koszenia mokrej trawy.
- Podczas pracy na pochyłościach należy pamiętać, aby pewnie stać na podłożu.
- Podczas koszenia należy chodzić, a nie biegać.
- W przypadku kosiarek kołowych, należy kosić zawsze w poprzek pochyłości, nigdy pod górę lub w dół.
- Należy zachować szczególną ostrożność przy zmianie kierunku na pochyłościach.
- Nie wolno kosić pochyłości o bardzo dużym kącie nachylenia.
- Należy zachować najwyższą ostrożność przy cofaniu lub przyciąganiu kosiarki do siebie.
- Należy wyłączyć nóż/noże, w przypadku konieczności przechylenia kosiarki do trawy, aby przebyć powierzchnię inną niż trawa oraz na czas przejazdu do i z obszaru, na którym będzie użytkowana.
- Nie wolno użytkować kosiarki do trawy z uszkodzonymi osłonami lub ze zdjętymi zabezpieczeniami, takimi jak wyrzutnik lub kosz na trawę.
- Nie wolno zmieniać ustawień regulatora silnika lub doprowadzać silnika do nadmiernych obrotów.
- Przed uruchomieniem silnika należy odłączyć wszystkie noże oraz sprzęgła napędu.
- Silnik należy uruchamiać zgodnie z instrukcją, stojąc z dala od noża(y).
- Nie wolno przechylać kosiarki do trawy podczas uruchamiania silnika.
- Nie wolno uruchamiać silnika, stojąc przed wyrzutnikiem.
- Nie wolno zbliżać dłoni ani stóp do wirujących części. Nigdy nie należy stawać przed otworem wyrzutnika.

- Nie wolno podnosić ani przenosić kosiarki do trawy, gdy silnik pracuje.
- W następujących przypadkach należy zatrzymać silnik i odłączyć przewód świecy zapłonowej, upewniając się, że wszystkie części ruchome przestały się poruszać; gdy kosiarka jest wyposażona w kluczyk zapłonu, należy go wyjąć:
 - Przed usuwaniem trawy blokującej nóż lub odblokowaniem wyrzutnika.
 - Przed sprawdzeniem, czyszczeniem lub pracą przy kosiarce do trawy.
 - Po uderzeniu w przeszkodę. Przed ponownym uruchomieniem i eksploatacją kosiarki do trawy, należy sprawdzić ją pod kątem występowania uszkodzeń oraz konieczności przeprowadzenia ewentualnych napraw.
 - Jeśli kosiarka do trawy zaczyna wibrować w nietypowy sposób (należy natychmiast sprawdzić przyczynę).
- W następujących przypadkach należy zatrzymać silnik i odłączyć przewód świecy zapłonowej, upewniając się, że wszystkie części ruchome przestały się poruszać; gdy kosiarka jest wyposażona w kluczyk zapłonu, należy go wyjąć:
 - Zawsze, gdy kosiarka do trawy jest pozostawiana bez nadzoru.
 - Przed uzupełnieniem paliwa.
- Należy zmniejszyć otwarcie przepustnicy podczas wyłączania silnika; jeśli silnik jest wyposażony w zawór odcinający, należy odciąć dopływ paliwa po zakończeniu pracy.

Konserwacja i przechowywanie

- Należy sprawdzić, czy wszystkie nakrętki, wkręty i śruby są dokręcone, co pozwoli utrzymać kosiarkę w odpowiednim stanie technicznym.
- Nie wolno przechowywać urządzenia z paliwem w zbiorniku w pomieszczeniu, gdzie opary paliwa mogą dotrzeć do iskry lub otwartego płomienia.
- Przed odniesieniem urządzenia do pomieszczenia w celu jego przechowywania należy poczekać, aż silnik ostygnie.
- Aby zmniejszyć zagrożenie pożarowe, należy zwracać uwagę, aby silnik, tłumik, przedział akumulatora oraz obszar przechowywania paliwa nie były pokryte trawą, liśćmi lub nadmierną ilością smaru.
- Należy często sprawdzać, czy kosz na trawę nie jest zużyty lub uszkodzony.
- Ze względów bezpieczeństwa należy wymieniać zużyte lub uszkodzone części.
- Jeśli trzeba opróżnić zbiornik paliwa, należy to robić na wolnym powietrzu.



OSTRZEŻENIE: Nie dotykać obracającego się noża.



OSTRZEŻENIE: Paliwo należy uzupełniać w przewiewnym miejscu; silnik musi być wyłączony.

3. OPIS CZĘŚCI (Rys. 1A i 1B)

Zestaw obejmuje:

A: Klucz do świec zapłonowych

B: Wyrzutnik

4. DANE TECHNICZNE

Model	PLM5121	PLM5120
Typ silnika	Seria B&S675EX, ReadyStart, 126T	Seria B&S625E, 122T
Własny napęd	Tak	Nie
Pojemność silnika	190 cm ³	190 cm ³
Szerokość noża	510 mm	510 mm
Prędkość obrotowa	2 800 obr/min	2 800 obr/min
Pojemność zbiornika paliwa	1,0 l	1,0 l
Masa netto	31,7 kg	28 kg
Regulacja wysokości:	25-70 mm, 5-stopniowa	
L _{pA} (SPL) w miejscu pracy (k = 3 dB (A))	79,2 dB (A)	78,9 dB (A)
Poziom mocy akustycznej L _{wA}	98 dB (A)	98 dB (A)
Wibracje (k = 1,5 m/s ²)	2,305 m/s ²	2,056 m/s ²

5. MONTAŻ

5-1 MONTAŻ SKŁADANEGO UCHWYTU

- Przymocować dolne części uchwytu do korpusu przy użyciu pokręteł blokujących, jak to pokazano poniżej. (Rys. 2A, Rys. 2B, Rys. 2C, Rys. 2D)
- Połączyć górną i dolną część uchwytu za pomocą pokrętła blokującego. (Rys. 2E, Rys. 2F, Rys. 2G)
- Umieścić opaskę zaciskową przewodu w miejscu pokazanym na rysunku, a następnie przymocować przewód. (Rys. 2H)

6. REGULACJA WYSOKOŚCI KOSZENIA

Nacisnąć od zewnątrz, aby wyczepić dźwignię z zaczepu. Przesunąć dźwignię w przód lub w tył, aby zmienić wysokość.

Wysokość (noża od podłoża) może być regulowana w zakresie od 25 mm (położenie 1: położenie najniższe) do 70 mm (położenie 5: położenie najwyższe); 5 położenie wysokości koszenia. (Rys. 3A, Rys. 3B).

Przed zmianą wysokości koszenia należy zatrzymać kosiarkę i odłączyć przewód świecy zapłonowej.



OSTRZEŻENIE: Wysokość można regulować tylko wtedy, gdy nóż nie porusza się.

7. USTAWIENIE ODPOWIEDNIEJ WYSOKOŚCI (Rys. 4A, Rys. 4B)

- Odkręcić pokrętła blokujące, mocujące dolną część uchwytu, patrz Rys. 4A.
- Patrz także Rys. 4B i przesunąć dolną część uchwytu w górę lub w dół, ustawiając odpowiednią wysokość.

- W niniejszej kosiarce do trawy dostępne są 3 położenia regulacji wysokości, gdzie położenie 1 jest położeniem najwyższym, a położenie 3 najniższym.
- Po ustawieniu odpowiedniej wysokości należy przymocować dolną część uchwytu za pomocą pokręteł blokujących.



OSTRZEŻENIE: Lewą i prawą stroną dolnej części uchwytu należy ustawić na tej samej wysokości.

8. UCHWYT ROZRUSZNIKA (Rys. 5)

Przesunąć uchwyt rozrusznika od silnika do prowadnicy linki.

9. „2 W 1”

9-1 USTAWIENIE WYRZUTU BOCZNEGO

- Unieść boczną kłapę do wyrzutu bocznego. (Rys. 6A)
- Zamontować prowadnicę wyrzutnika do wyrzutu bocznego na sworzniu bocznej kłapy. (Rys. 6A, Rys. 6B)
- Obniżyć boczną kłapę – kłapa opiera się na wyrzutniku. (Rys. 6C)



Tylko gdy silnik i układ tnący zostały zatrzymane!

9-2 KOSIARKA ROZDRABNIAJĄCA

Co to jest rozdrabnianie?

Podczas rozdrabniania trawa jest ścinana, a następnie drobno szatkowana i rozsypywana na pasie trawy jako nawóz.

Wskazówki dotyczące koszenia z rozdrabnianiem:

- Regularnie przycinać trawę o maks. 2 cm, od 6 do 4 cm.
- Stosować ostry nóż tnący
- Nie kosić wilgotnej trawy
- Ustawić maksymalną prędkość silnika
- Przesuwać kosiarkę z prędkością roboczą
- Regularnie czyścić klin rozdrabniający, wewnętrzną stronę obudowy oraz nóż



OSTRZEŻENIE: Tylko gdy silnik jest wyłączony, a układ tnący zatrzymany.

1. Podnieść boczną kłapę i zdemontować wyrzutnik. (Rys. 7A, Rys. 7B)
 - Sprężyna w bocznej kłapie automatycznie zamknie otwór wyrzutnika w obudowie.
 - Należy regularnie czyścić boczną kłapę i otwór wyrzutnika z resztek trawy i zabrudzeń.

10. INSTRUKCJE UŻYTKOWANIA

10-1 PRZED URUCHOMIENIEM

Należy uzupełniać poziom benzyny i oleju w silniku zgodnie z oddzielną instrukcją obsługi silnika dołączonej do kosiarki. Należy uważnie przeczytać tę instrukcję.



OSTRZEŻENIE: Benzyna jest bardzo łatwopalna.

Należy ją przechowywać w pojemnikach przeznaczonych do tego celu.

Paliwo można uzupełniać tylko na wolnym powietrzu, przed uruchomieniem silnika; nie wolno palić podczas uzupełniania lub przelewania paliwa.

Nie wolno zdejmować korka wlewu paliwa lub uzupełniać paliwa, gdy silnik pracuje lub gdy jest rozgrzany.

W przypadku, gdy benzyna zostanie rozlana, nie wolno uruchamiać silnika, ale przesunąć urządzenie z dala od obszaru pokrytego paliwem oraz zapobiegać wystąpieniu zapłonu, aż do chwili, gdy opary benzyny ulotnią się.

Należy sprawdzić, czy wszystkie korki wlewu paliwa i innych zbiorników są prawidłowo zamocowane.

Przed przechYLENIEM lub obróceniem kosiarki do trawy w celu konserwacji noża lub usunięcia oleju należy opróżnić zbiornik paliwa.



OSTRZEŻENIE: Nie wolno napełniać zbiornika paliwa w zamkniętych pomieszczeniach, przy pracującym silniku; po pracy należy odczekać, aż silnik ochłodzi się przez co najmniej 15 minut po wyłączeniu.

10-2 ABY URUCHOMIĆ SILNIK I ZAŁĄCZYĆ NÓŻ

1. Urządzenie jest wyposażone w gumową fajkę na końcówce świecy zapłonowej; należy się upewnić, że metalowa pętla na końcu przewodu świecy zapłonowej (wewnątrz fajki) jest prawidłowo przymocowana na metalowym styku świecy zapłonowej.

- 2.1. Dla PLM5121:

W przypadku uruchamiania silnika na zimno lub

rozgrzanego, należy ustawić dźwignię przepustnicy w dowolnym położeniu pomiędzy „☁” do położenia „☁☁”. Podczas pracy należy ustawić dźwignię przepustnicy w położeniu „☁☁”. (Rys. 8B)

- 2.2. Dla PLM5120:

W przypadku uruchamiania zimnego silnika, należy w pierwszej kolejności nacisnąć pompkę zastrykową od 3 do 5 razy, a następnie ustawić dźwignię przepustnicy w położeniu „☁”.

W przypadku uruchamiania rozgrzanego silnika i podczas pracy, należy ustawić dźwignię przepustnicy w położeniu „☁☁”. (Rys. 8A, Rys. 8B)

3. Stojąc za urządzeniem należy chwycić uchwyt sterowania hamulcem i przytrzymać go wraz z górną częścią uchwytu, jak pokazano na Rys. 8C.
4. Chwycić uchwyt rozrusznika jak pokazano na Rys. 8C i szybko pociągnąć w górę. Po uruchomieniu silnika powoli cofnąć uchwyt rozrusznika do prowadnicy linki. Zwolnić uchwyt sterowania hamulca, aby zatrzymać silnik i nóż. (Rys. 8D)



Silnik należy uruchamiać zgodnie z instrukcją, stojąc z dala od noża.



Nie wolno przechylać kosiarki do trawy podczas uruchamiania silnika. Uruchomić kosiarkę na równym podłożu, pozbawionym wysokiej trawy lub przeszkód.



Nie zbliżać rąk i stóp do obracających się części. Nie uruchamiać silnika, stojąc przed wyrzutnikiem.

10-3 PROCEDURY OBSŁUGOWE

Podczas pracy należy mocno trzymać uchwyt hamulca obiema rękami.



UWAGA: Gdy podczas pracy uchwyt hamulca zostanie zwolniony, silnik zatrzyma się, co spowoduje wyłączenie kosiarki do trawy.

10-4 ABY ZATRZYMAĆ SILNIK



UWAGA: Nóż obraca się przez kilka sekund po wyłączeniu silnika.

1. Zwolnić uchwyt sterowania hamulca, aby zatrzymać silnik i nóż.
2. Należy odłączyć i uziemić przewód świecy zapłonowej, jak to opisano w oddzielnej instrukcji obsługi silnika, aby zapobiec przypadkowemu rozruchowi, gdy kosiarka jest pozostawiona bez nadzoru.

10-5 ZŁĄCZE NAPĘDU

Dla PLM5121

Chwycić uchwyt wyłącznika napędu – kosiarka do trawy automatycznie ruszy do przodu z prędkością około 3,6 km/h (Rys. 9). Zwolnić uchwyt wyłącznika napędu – kosiarka do trawy zatrzyma się.



UWAGA: Kosiarka jest przeznaczona do koszenia zwykłej trawy ogrodowej o maksymalnej wysokości 250 mm. Nie należy używać jej do koszenia bardzo wysokiej, suchej lub mokrej trawy (np. pastwiska) czy stert suchych liści. Resztki mogą gromadzić się na korpusie kosiarki lub dotknąć wydechu silnika, stwarzając potencjalne zagrożenie pożarowe.

10-6 WSKAZÓWKI DOTYCZĄCE EFEKTYWNEGO ROZDRABNIANIA

Usunąć wszelkie odpadki z trawnika. Sprawdzić, czy na trawniku nie ma kamieni, gałęzi, drutów lub innych przedmiotów, które mogłyby zostać wyrzucone przez kosiarkę w dowolną stronę i spowodować poważne obrażenia u użytkownika lub innych osób, jak również straty materialne i zniszczenia w otoczeniu. Nie kosić wilgotnej trawy. Aby rozdrabnianie było skuteczne, nie można kosić wilgotnej trawy, gdyż przywiera ona do spodniej części korpusu kosiarki, co uniemożliwia prawidłowe rozdrabnianie. Nie ścinać więcej niż 1/3 długości źdźbła. W przypadku rozdrabniania, zaleca się cięcie 1/3 długości źdźbeł trawy. Należy kontrolować prędkość jazdy kosiarki, aby rozdrobniona trawa była równomiernie rozrzucona na trawniku. W przypadku cięcia wyjątkowo gęstej trawy może być konieczne utrzymywanie najniższej prędkości, aby uzyskać prawidłowe cięcie i rozdrabnianie. Przy koszeniu z rozdrabnianiem wysokiej trawy może być konieczne dwukrotne koszenie trawnika; przy drugim koszeniu należy zmniejszyć wysokość cięcia o kolejną 1/3 długości źdźbeł i ewentualnie zmienić trasę koszenia. Zachodzenie na poprzedni pas przy każdym przejściu pozwala usunąć źdźbła pozostałe po poprzednim przejściu. Przy koszeniu z rozdrabnianiem należy całkowicie otworzyć przepustnicę kosiarki, aby uzyskać najlepsze cięcie i aby rozdrabnianie było jak najbardziej efektywne. Oczyszczyć spód korpusu kosiarki. Należy pamiętać, aby czyścić spodnią część korpusu kosiarki po każdym użyciu i zapobiec gromadzeniu się trawy, co uniemożliwia prawidłowe rozdrabnianie. Rozdrabnianie liści. Pozytywny wpływ na trawnik może mieć również rozdrabnianie liści. Przy rozdrabnianiu liści należy sprawdzić, czy są one suche i czy nie zalegają zbyt grubą warstwą na trawniku. Nie należy czekać, aż wszystkie liście spadną z drzew, aby je rozdrobnić.



OSTRZEŻENIE: W przypadku uderzenia w przeszkodę należy zatrzymać silnik. Odłączyć przewód od świecy zapłonowej, dokładnie sprawdzić, czy kosiarka nie jest uszkodzona i naprawić uszkodzenia przed ponownym uruchomieniem i użytkowaniem kosiarki. Nadmierne drgania kosiarki podczas pracy są objawem uszkodzenia. Urządzenie należy natychmiast sprawdzić i naprawić.

10-7 KORPUS

Spodnia część korpusu kosiarki powinna być czyszczona po każdym użyciu, aby zapobiec gromadzeniu się ściętej trawy, liści, ziemi lub innych zabrudzeń. W przypadku nagromadzenia zanieczyszczeń zwiększa się ryzyko

korozji oraz zmniejsza się efektywność rozdrabniania. Korpus można oczyścić po odwróceniu kosiarki, zeskrobując odpowiednim narzędziem (należy sprawdzić, czy przewód świecy zapłonowej jest odłączony).

11. INSTRUKCJA KONSERWACJI

ŚWIECA ZAPŁONOWA

Należy stosować tylko oryginalne świece zapłonowe. Zaleca się wymieniać świece zapłonową co 100 godzin pracy.

12. SMAROWANIE



UWAGA: ODŁĄCZYĆ ŚWIECĘ ZAPŁONOWĄ PRZED ROZPOCZĘCIEM CZYNNOŚCI KONSERWACYJNYCH.

1. KOŁA – przesmarować łożyska kulkowe w każdym kole co najmniej raz w sezonie, używając lekkiego oleju.
2. SILNIK – wskazówki dotyczące smarowania podane zostały w instrukcji silnika.
3. UKŁAD USTAWIENIA NOŻA – przesmarować przegub na uchwyty ustawienia noża i przewódzie hamulcowym co najmniej raz w sezonie, używając lekkiego oleju. Układ ustawienia noża musi przesuwac się swobodnie w obu kierunkach.

13. CZYSZCZENIE



UWAGA: Nie myć silnika przy użyciu węża. Woda może uszkodzić silnik lub zanieczyścić układ paliwowy.

1. Przetrzeć korpus suchą szmatką.
2. Wymyć spodnią część korpusu, przechylając kosiarkę tak, aby świeca zapłonowa była skierowana w górę.

13-1 FILTR POWIETRZA SILNIKA



UWAGA: Nie wolno dopuścić, aby zabrudzenia lub pył zapchały piankowy wkład filtra powietrza. Wkład filtra powietrza musi być konserwowany (czyszczony) po 25 godzinach normalnej eksploatacji. Wkład piankowy musi być regularnie konserwowany, jeśli kosiarka jest użytkowana w suchym i zapyłonym otoczeniu. (Patrz INSTRUKCJA OBSŁUGI SILNIKA)

Aby OCZYŚCIĆ FILTR POWIETRZA

1. Odkręcić śrubę. (Rys. 10A, Rys. 10B)
2. Zdjąć pokrywę.
3. Wymyć wkład filtra w wodzie z mydłem. **NIE UŻYWAĆ BENZYN!**
4. Osuszyć wkład filtra powietrzem.
5. Umieścić kilka kropel oleju SAE30 na wkładzie piankowym i mocno ścisnąć, aby usunąć nadmiar oleju.
6. Ponownie zamontować filtr.



UWAGA: Wymienić filtr, jeśli jest on rozdarty, poszarpany, uszkodzony lub jeśli nie da się go wyczyścić.

13-2 NÓŻ TNĄCY



UWAGA: Należy pamiętać, aby odłączyć i uziemić przewód świecy zapłonowej przed rozpoczęciem konserwacji noża tnącego, co pozwoli zapobiec przypadkowemu uruchomieniu silnika. Należy chronić dłonie, używając wytrzymałych rękawic lub szmatki do pochwylenia noży tnących. Przechylić kosiarkę, jak to opisano w oddzielnej instrukcji silnika. Odkręcić śrubę z łbem sześciokątnym oraz podkładkę, która mocuje nóż oraz uchwyt noża na wale korbowym silnika. Zdemontować nóż oraz uchwyt z wału korbowego.



OSTRZEŻENIE: Okresowo sprawdzać, czy na uchwycie noża nie widać pęknięć, zwłaszcza po napotkaniu przeszkody. Wymienić w razie potrzeby. Aby koszenie było efektywne, nóż musi być ostry. Nóż można ponownie naostrzyć, demontując go i szlifując lub uzupełniając ubytki, starając się zachować kształt oryginalnego noża. Bardzo ważna kwestia to równomierne szlifowanie każdej krawędzi tnącej, dzięki czemu nóż jest dobrze wyważony. Brak wyważenia może spowodować nadmierne drgania, co z kolei powoduje uszkodzenie silnika i kosiarki. Należy pamiętać, aby starannie wyważyć nóż po ostrzeniu. Wyważenie noża można sprawdzić, kładąc go na wkrętaku o zaokrąglonym przęciu. Należy szlifować cięższy koniec noża, aż do uzyskania zadowalającego wyważenia. Przed ponownym zamocowaniem noża i uchwytu noża należy przesmarować lekkim olejem wał korbowy i wewnętrzną powierzchnię uchwytu noża. Zamontować uchwyt noża na wale korbowym silnika. Patrz **Rys. 11**. Umieścić nóż tak, aby numer części był skierowany w stronę przeciwną do uchwytu. Wyosiować podkładkę na nożu i wkręcić śrubę z łbem sześciokątnym. Dokręcić śrubę z łbem sześciokątnym momentem o wartości podanej poniżej.

13-3 MOMENT DOKRĘCENIA NÓŻA

Śrubę środkową należy dokręcić momentem o wartości 40-50 Nm w celu zapewnienia bezpiecznej pracy urządzenia. Należy okresowo sprawdzać WSZYSTKIE śruby i nakrętki pod kątem prawidłowego dokręcenia. Po długiej eksploatacji, zwłaszcza w otoczeniu o dużym zapyleniu, nóż będzie się częściej zużywał i utraci oryginalny kształt. Spowoduje to pogorszenie funkcji koszenia. Nóż należy wymieniać. Nóż należy wymieniać wyłącznie na oryginalny nóż. Za ewentualne straty spowodowane złym wyważeniem noża producent nie odpowiada. Podczas wymiany noża należy stosować oryginalny nóż zgodnie z oznaczeniami na poprzednim nożu (MAKITA 263001826) (aby zamówić nóż, należy skontaktować się z lokalnym przedstawicielem lub skontaktować się bezpośrednio z producentem).



OSTRZEŻENIE: Nie dotykać obracającego się noża.

13-4 SILNIK

Konserwacja silnika opisana jest w oddzielnej instrukcji obsługi silnika.

Wymiana oleju w silniku jest opisana w oddzielnej instrukcji dołączonej do urządzenia. Należy uważnie przeczytać wszystkie instrukcje.

Konserwacja filtra powietrza została opisana w oddzielnej instrukcji obsługi silnika.

W przypadku bardzo dużego zapylenia należy czyścić kosiarkę co kilka godzin. Słaba moc silnika oraz zalewanie to objawy wskazujące na konieczność konserwacji filtra powietrza.

Konserwacja filtra powietrza jest opisana w oddzielnej instrukcji obsługi silnika dołączonej do urządzenia.

Należy raz w sezonie oczyścić świecę zapłonową i ustawić wielkość szczeliny. Zaleca się wymianę świecy zapłonowej na początku każdego sezonu koszenia; należy sprawdzić w instrukcji obsługi silnika, jaki jest właściwy typ świecy oraz wielkość szczeliny.

Należy regularnie czyścić silnik przy użyciu szmatki lub szczotki. Należy utrzymywać układ chłodzenia (obszar obudowy dmuchawy) w czystości, aby zapewnić właściwy obieg powietrza, który jest niezbędny do prawidłowego działania silnika. Należy sprawdzić, czy trawa, ziemia i łatwopalne zanieczyszczenia zostały usunięte z obszaru wokół tłumika.

14. PRZECHOWYWANIE (POZA SEZONEM)

Aby przygotować kosiarkę do przechowywania, należy wykonać następujące czynności:

1. Po ostatnim koszeniu w sezonie należy opróżnić zbiornik paliwa.

a) Można to zrobić za pomocą pompy ssącej.



UWAGA: Nie spuszczać paliwa w zamkniętych pomieszczeniach, w pobliżu otwartego ognia itp. Zabrania się palenia papierosów! Opary paliwa mogą spowodować wybuch lub pożar.

b) Uruchomić silnik i zaczekać, aż zużyje całe pozostałe paliwo i zgaśnie.

c) Wyjąć świecę zapłonową. Używając smarowniczkę, wlać około 20 ml oleju do komory spalania. Pociągnąć za linkę rozrusznika, aby równomiernie rozprowadzić olej w komorze spalania. Włożyć świecę zapłonową.

2. Dokładnie wyczyścić i nasmarować kosiarkę do trawy zgodnie z opisem w punkcie „Smarowanie”.

3. Lekko nasmarować nóż, aby zapobiec korozji.

4. Przechować kosiarkę do trawy w suchym i czystym pomieszczeniu zabezpieczonym przed mrozem, poza zasięgiem osób nieupoważnionych.



UWAGA: Przed odstawieniem kosiarki do trawy w celu jej przechowywania należy zaczekać, aż silnik zupełnie ostygnie.

**UWAGA:**

- W przypadku przechowywania urządzenia elektrycznego w pomieszczeniu bez wentylacji lub w pomieszczeniu gospodarczym należy zabezpieczyć urządzenie przed działaniem korozji. Należy pokryć części urządzeń, zwłaszcza przewody i wszystkie części ruchome, warstwą lekkiego oleju lub silikonu.
- Nie wolno zaginać lub załamywać przewodów.
- Jeśli linka rozrusznika odłączy się od prowadnicy linki na uchwycie, należy odłączyć i uziemić przewód świecy zapłonowej, nacisnąć uchwyt ustawienia noża i powoli wyciągnąć linkę rozrusznika z silnika. Przełożyć linkę rozrusznika przez prowadnicę linki na uchwycie.

Transport

Wyłączyć silnik. Uważać, aby nie wygiąć i nie uszkodzić noża, przejeżdżając kosiarką do trawy nad przeszkodami.

15. ROZWIĄZYWANIE PROBLEMÓW

PROBLEM	PRAWDOPODOBNA PRZYCZYNA	ROZWIĄZANIE
Silnik nie uruchamia się.	Dźwignia przepustnicy w położeniu niewłaściwym dla danych warunków.	Przesunąć dźwignię przepustnicy we właściwe położenie.
	Zbiornik paliwa jest pusty.	Napełnić zbiornik paliwem, patrz INSTRUKCJA OBSŁUGI SILNIKA.
	Wkład filtra powietrza jest zabrudzony.	Oczyszczyć wkład filtra powietrza, patrz INSTRUKCJA OBSŁUGI SILNIKA.
	Obluzowana świeca zapłonowa.	Dokręcić świecę momentem o wartości 25-30 Nm.
	Przewód świecy zapłonowej poluzowany lub odłączony od świecy.	Założyć przewód świecy zapłonowej na świecę.
	Szczelina świecy jest nieprawidłowa.	Ustawić szczelinę pomiędzy elektrodami na 0,7 do 0,8 mm.
	Świeca zapłonowa jest wadliwa.	Zamontować nową świecę zapłonową z prawidłową szczeliną, patrz INSTRUKCJA OBSŁUGI SILNIKA.
	Gaźnik jest zalany paliwem.	Wyjąć wkład filtra powietrza i ciągnąć linkę rozrusznika, aż gaźnik się oczyści; wtedy zamontować wkład filtra powietrza.
Wadliwy moduł zapłonu.	Skontaktować się z serwisem.	
Trudności z uruchomieniem silnika lub spadki mocy.	Zabrudzenia, woda lub zawiesina w paliwie.	Spuścić paliwo i wyczyścić zbiornik. Napełnić zbiornik czystym, świeżym paliwem.
	Otwór napowietrzający w korku wlewu paliwa jest zablokowany.	Oczyszczyć lub wymienić korek zbiornika paliwa.
	Wkład filtra powietrza jest zabrudzony.	Oczyszczyć wkład filtra powietrza.
Silnik pracuje nierówno.	Świeca zapłonowa jest wadliwa.	Zamontować nową świecę zapłonową z prawidłową szczeliną, patrz INSTRUKCJA OBSŁUGI SILNIKA.
	Szczelina świecy jest nieprawidłowa.	Ustawić szczelinę pomiędzy elektrodami na 0,7 do 0,8 mm.
	Wkład filtra powietrza jest zabrudzony.	Oczyszczyć wkład filtra powietrza, patrz INSTRUKCJA OBSŁUGI SILNIKA.
Nieprawidłowe obroty jałowe silnika.	Wkład filtra powietrza jest zabrudzony.	Oczyszczyć wkład filtra powietrza, patrz INSTRUKCJA OBSŁUGI SILNIKA.
	Szczeliny w krycie silnika są zapchane.	Usunąć zabrudzenia ze szczelin.
	Żeberka i szczeliny pod obudową dmuchawy są zablokowane.	Usunąć zabrudzenia z żeberek i szczelin.
Silnik dławi się na wysokich obrotach.	Szczelina pomiędzy elektrodami świecy zapłonowej jest zbyt mała.	Ustawić szczelinę pomiędzy elektrodami na 0,7 do 0,8 mm.
Silnik przegrzewa się.	Ograniczony przepływ powietrza.	Usunąć zanieczyszczenia ze szczelin, obudowy dmuchawy i otworów.
	Nieprawidłowa świeca zapłonowa.	Zamontować świecę zapłonową RJ19LMC i żeberka chłodzące na silniku.
Kosiarka drga w nieprawidłowy sposób.	Poluzowany zespół tnący.	Dokręcić nóż.
	Zespół tnący jest nieprawidłowo wyważony.	Wyważyć nóż.

16. GWARANCJA

Zgodnie z obowiązującymi przepisami prawa produkt ten jest objęty 12-miesięczną gwarancją od daty jego zakupu przez pierwszego użytkownika.

Gwarancja ta obejmuje wszystkie materiały oraz wady produkcyjne. Gwarancją nie są objęte uszkodzenia wynikające z normalnego zużycia części, takich jak

łożyska, szczotki, przewody, wtyczki lub akcesoria typu wiertła, końcówki wiertła, tarcze itp., uszkodzenia lub szkody powstałe w wyniku niewłaściwego użytkowania, wypadków lub wprowadzonych modyfikacji, jak również koszty transportu.

Zastrzegamy sobie prawo do nieprzyjęcia reklamacji, w przypadku braku dowodu potwierdzenia zakupu lub gdy produkt był użytkowany niezgodnie z przeznaczeniem.

(Zaleca się regularne czyszczenie otworów wentylacyjnych oraz szczotek węglowych.)
Zaleca się zachowanie dowodu zakupu w celu potwierdzenia daty zakupu.
Urządzenie należy zwrócić do przedstawiciela w czystym, nierozmontowanym stanie, w oryginalnym, formowanym opakowaniu, o ile znajdowało się ono na wyposażeniu, wraz z dowodem zakupu.

17. OCHRONA ŚRODOWISKA

Jeśli urządzenie wymaga wymiany po długim okresie użytkowania, nie wolno wyrzucać go wraz z odpadami komunalnymi, ale trzeba je zutylizować w sposób przyjazny dla środowiska.

18. DEKLARACJA ZGODNOŚCI WE

(Dotyczy tylko krajów europejskich)
Firma Makita Corporation, jako odpowiedzialny producent, oświadcza niniejszym, że poniższe urządzenia marki Makita:

Oznaczenie maszyny: Spalinowa kosiarka do trawy
Model/typ: PLM5120, PLM5121

Dane techniczne: Patrz „4. DANE TECHNICZNE”
są produkowane seryjnie oraz

spełniają wymagania następujących dyrektyw Unii Europejskiej:

2004/108/WE, 2006/42/WE,
2000/14/WE oraz 2005/88/WE

i są produkowane zgodnie z następującymi normami lub dokumentami normalizacyjnymi:

EN ISO 14982, EN836

Dokumentacja techniczna przechowywana jest przez naszego autoryzowanego przedstawiciela na Europę, którym jest:

Makita International Europe Ltd.
Michigan Drive, Tongwell,
Milton Keynes, Bucks MK15 8JD, Wielka Brytania

Procedura oceny zgodności wymagana przez Dyrektywę 2000/14/WE została przeprowadzona zgodnie z Załącznikiem V.

Jednostka notyfikowana:

TÜV SÜD Industrie Service GmbH
Westendstraße 199, 80686 München, Niemcy
Numer identyfikacyjny: 0036

Model: PLM5120

Zmierzony poziom mocy akustycznej: 92,3 dB (A)

Gwarantowany poziom mocy akustycznej: 98 dB (A)

Model: PLM5121

Zmierzony poziom mocy akustycznej: 92,4 dB (A)

Gwarantowany poziom mocy akustycznej: 98 dB (A)

30.11.2011



Tomoyasu Kato
Dyrektor
Makita Corporation
3-11-8, Sumiyoshi-cho,
Anjo, Aichi, JAPAN

Explicația vederii generale

- | | | |
|---|--|-----------------------|
| 1. Manetă de comandă frână | 7. Clemă de cablu | 13. Capac ulei |
| 2. Mâner superior | 8. Manetă de reglare înălțime | 14. Mâner demaror |
| 3. Mâner de comandă pentru acționare automată | 9. Punte | 15. Bolț |
| 4. Manetă de șoc | 10. Clapetă laterală | 16. Șaibă |
| 5. Ghidaj de cablu | 11. Bujie | 17. Ventil de pornire |
| 6. Bolț de blocare | 12. Capac ștuț de umplere cu combustibil | 18. Șurub |



AVERTISMENT:

Pentru siguranța dumneavoastră, vă rugăm să citiți acest manual înainte de a încerca să utilizați noua dumneavoastră unitate. Nerespectarea instrucțiunilor poate duce la accidentări grave. Familiarizați-vă cu mașina de tuns iarba înainte de fiecare utilizare.



Atenție: Motor fierbinte.

1. SIMBOLURI MARCATE PE PRODUS



Citiți manualul operatorului.



Instruiți persoanele aflate în zonă să păstreze distanța.



Acordați atenție maximă mâinilor și picioarelor, pentru a evita rănilor.



Combustibilul este inflamabil, a se feri de sursele de căldură. Nu adăugați combustibil în timpul operării mașinii.



Fumuri toxice; Nu operați în interior.



La tunderea ierbii, vă rugăm purtați ochelari de protecție și astupătoare de urechi pentru a vă proteja.



La efectuarea reparațiilor, vă rugăm scoateți bujiile și apoi să reparați în conformitate cu manualul operatorului.

2. REGULI GENERALE DE SIGURANȚĂ



AVERTISMENT: Când folosiți mașini pe bază de benzină, trebuie respectate măsurile fundamentale de protecție, inclusiv cele prezentate în continuare, pentru a reduce riscul accidentărilor grave și/sau defectării mașinii. Citiți toate aceste instrucțiuni înainte de operarea acestui produs și păstrați-le pentru referințe viitoare.



AVERTISMENT: Această mașină produce un câmp electromagnetic în timpul operării. În anumite condiții, acest câmp poate intra în interferență cu implanturi medicale active sau pasive. Pentru a reduce riscul accidentelor grave sau fatale, recomandăm ca persoanele cu implanturi medicale să consulte medicul și producătorul implantului medical înainte a opera această mașină.

Instruirea

- Citiți cu atenție instrucțiunile. Familiarizați-vă cu comenzile și cu utilizarea corectă a echipamentului.
- Nu permiteți niciodată copiilor sau persoanelor care sunt nefamiliarizate cu aceste instrucțiuni să utilizeze mașina de tuns iarba pe bază de benzină. Reglementările locale pot restricționa vârsta operatorului.
- Nu folosiți mașina când în apropiere se află copii sau animale de companie.
- Amintiți-vă că utilizatorul este responsabil de accidente sau situațiile neprevăzute antrenate de utilizarea mașinii, cauzate altor persoane sau bunurilor acestora.

Pregătirea

- În timpul folosirii mașinii, purtați întotdeauna o încălțăminte corespunzătoare (solidă) și pantaloni lungi. Nu folosiți mașina cu picioarele goale sau cu sandale.
- Verificați cu atenție zona în care va fi operată mașina și îndepărtați toate obiectele care pot fi expulzate de mașină.
- **AVERTISMENT-** Benzina este extrem de inflamabilă.

- Depozitați combustibilul în recipiente special destinate acestui scop.
- Realimentați cu combustibil doar în interior și nu fumați în timpul realimentării.
- Adăugați combustibilul înainte de a porni motorul. Nu scoateți niciodată capacul rezervorului de combustibil și nu adăugați benzină în timp ce motorul este pornit sau este cald.
- Dacă benzina se varsă, nu încercați să porniți motorul, ci îndepărtați mașina de zona în care a avut loc curgere și evitați crearea oricărei surse de aprindere până la dispararea vaporilor de benzină.
- Remontați corect toate capacele de recipiente, precum și capacul rezervorului de combustibil.
- Înlocuiți amortizoarele defecte.
- Înainte de utilizare, inspectați întotdeauna vizual pentru a verifica dacă lamele, bolțurile de lamă sau ansamblul de cuțite nu sunt uzate sau deteriorate. Înlocuiți toate lamele și bolțurile deteriorate sau uzate pentru a menține echilibrarea mașinii.

Operare

- Nu operați motorul într-un spațiu închis în care pot fi colectate fumuri periculoase de oxid de carbon.
- Operați mașina doar la lumina zilei sau la o lumină artificială puternică.
- Evitați operarea echipamentului pe iarbă udă, dacă acest lucru este posibil.
- Acordați atenție atunci când vă deplasați pe suprafețe înclinate.
- Nu alergați.
- Pentru mașini rotative cu roți, tundeți iarbă de-a lungul pantei, niciodată în sus sau în jos.
- Acordați atenție maximă atunci când schimbați direcția pe suprafețele înclinate.
- Nu tundeți iarbă pe o pantă excesiv de abruptă.
- Acordați o atenție maximă atunci când întoarceți sau trageți mașina de tuns iarbă pe bază de benzină spre dumneavoastră.
- Fixați bine lama(ele) dacă mașina de tuns iarbă pe bază de benzină trebuie înclinată pentru transport, atunci când treceți cu mașina peste suprafețe fără iarbă, sau atunci când transportați mașina de tuns iarbă pe bază de benzină la sau de la locul de tuns iarbă.
- Nu operați niciodată mașina de tuns iarbă pe bază de benzină cu protecțiile defecte, sau fără dispozitivele de siguranță, cum ar fi deflectoarele și/sau separatorul de iarbă.
- Nu modificați setările regulatorului de motor și nu suprațurați motorul.
- Decuplați toate lamele și ambreiajele de acționare înainte de a porni motorul.
- Porniți motorul cu atenție conform instrucțiunilor, cu picioarele la distanță de lamă(e).
- Nu înclinați mașina de tuns iarbă pe bază de benzină la pornirea motorului.
- Nu porniți motorul când vă aflați în fața jgheabului de descărcare.
- Nu apropiați mâinile sau picioarele de componentele rotative. Păstrați permanent distanța față de orificiul de descărcare.
- Nu ridicați și nu transportați mașina de tuns iarbă pe bază de benzină cu motorul în funcțiune.

- Opriți motorul și deconectați conductorul bujiei, asigurați-vă că toate componentele mobile s-au oprit complet și, dacă este prevăzută o cheie, scoateți cheia:
 - Înainte de a elimina blocajele sau a desfunda jgheabul.
 - Înainte de a controla, curăța sau lucra cu mașina de tuns iarbă pe bază de benzină.
 - După ce ați lovit cu mașina un obiect străin. Verificați mașina de tuns iarbă pe bază de benzină pentru a detecta eventuale deteriorări și efectuați reparațiile necesare înainte de a repune în funcțiune și opera mașina de tuns iarbă pe bază de benzină.
 - Dacă mașina de tuns iarbă pe bază de benzină începe să vibreze în mod anormal (verificați imediat).
- Opriți motorul și deconectați conductorul bujiei, asigurați-vă că toate componentele mobile s-au oprit complet și, dacă este prevăzută o cheie, scoateți cheia:
 - De fiecare dată când lăsați nesupravegheată mașina de tuns iarbă pe bază de benzină.
 - Înainte de realimentării.
- Reduceți setarea de accelerație în timpul opririi motorului și, dacă motorul este prevăzut cu o supapă de închidere, opriți alimentarea cu combustibil la finalizarea operațiunii de tundere a ierbii.

Întreținerea și depozitarea

- Mențineți șuruburile, bolțurile și piulițele strânse, pentru a vă asigura că echipamentul este în condiții bune de funcționare.
- Nu depozitați niciodată echipamentul cu benzină în rezervor în clădiri în care fumul pot ajunge la o scântee sau flacără deschisă.
- Permiteți răcirea motorului înaintea depozitării într-o incintă închisă.
- Pentru a reduce pericolul de incendii, feriiți motorul, amortizorul, compartimentul bateriei și zona de depozitare a benzinei de reziduuri, frunze sau unsoare excesivă.
- Controlați frecvent ca separatorul de iarbă să nu fie deteriorat sau uzat.
- Pentru siguranță, înlocuiți componentele defecte sau uzate.
- Dacă rezervorul de combustibil trebuie golit, acest lucru trebuie efectuat în exterior.



AVERTISMENT: Nu atingeți lama rotativă.



AVERTISMENT: Realimentați într-o zonă bine aerisită, cu motorul oprit.

3. DESCRIEREA COMPONENTELOR (Fig. 1A și 1B)

Include

- A: Cheie pentru bujie
- B: Canal de descărcare

4. DATE TEHNICE

Model	PLM5121	PLM5120
Tip motor	Seria B&S675EX, ReadyStart, 126T	Seria B&S625E, 122T
Autopropulsat	Da	Nu
Capacitate cilindrică motor	190 cm ³	190 cm ³
Lățimea lamei	510 mm	510 mm
Turație nominală	2.800/min	2.800/min
Capacitate rezervor carburant	1,0 L	1,0 L
Greutate netă	31,7 kg	28 kg
Reglare înălțime:	25-70 mm, 5 poziții	
L _{pA} (SPL) la poziția utilizatorului (k = 3 dB (A))	79,2 dB (A)	78,9 dB (A)
Nivel presiune sonoră garantat L _{WA}	98 dB (A)	98 dB (A)
Vibrații (k = 1,5 m/s ²)	2,305 m/s ²	2,056 m/s ²

5. ASAMBLARE

5-1 ASAMBLAREA MÂNERULUI PLIABIL

1. Fixați barele de manevrare inferioare în corpul unității cu bolțurile de blocare, în modul indicat. (Fig. 2A, Fig. 2B, Fig. 2C, Fig. 2D)
2. Conectați mânerul superior și mânerul inferior cu bolțul de blocare. (Fig. 2E, Fig. 2F, Fig. 2G)
3. Atașați clema de cablu în poziția indicată și apoi atașați cablul. (Fig. 2H)

6. REGLAREA ÎNĂLȚIMII DE TĂIERE

Aplicați o presiune externă pentru a decupla pârghia de la rack. Mutați pârghia înainte sau înapoi pentru a regla înălțimea.

Înălțimea (lamă față de sol) poate fi reglată de la 25 mm (poziția 1: cea mai joasă poziție) la 70 mm (poziția 5 : cea mai ridicată poziție), 5 poziții de înălțime. (Fig. 3A, Fig. 3B).

Opriti mașina de tuns iarba și deconectați cablul bujei înainte de a modifica înălțimea de tăiere a mașinii.



AVERTISMENT: Efectuați această reglare doar când lama este oprită.

7. REGLARE PENTRU O ÎNĂLȚIME ADECVATĂ (Fig. 4A, Fig. 4B)

1. Scoateți bolțurile de blocare cu care ați fixat mânerul inferior, consultați Fig. 4A.
2. Consultați Fig. 4B, mutați mânerul inferior în sus sau jos, reglați-l la înălțimea corespunzătoare. Există 3 înălțimi de reglare care pot fi alese pentru acest tip de mașină de tuns iarba pe bază de benzină; poziția 1 reprezintă cea mai ridicată înălțime, iar poziția 3 - cea mai joasă.
3. Reglați la înălțimea corectă, apoi fixați mânerul inferior cu bolțurile de blocare.



AVERTISMENT: Partea stângă și partea dreaptă a mânerului inferior trebuie reglate la aceeași înălțime.

8. MÂNER DEMAROR (Fig. 5)

Mutați mânerul demarorului de la motor spre ghidajul de cablu.

9. "2 ÎN 1"

9-1 RESETARE PENTRU TUNDEREA IERBII CU DESCĂRCARE LATERALĂ

1. Ridicați clapeta laterală pentru descărcarea laterală. (Fig. 6A)
2. Montați ghidajul de descărcare pentru descărcare laterală pe știftul de susținere al clapetei laterale. (Fig. 6A, Fig. 6B)
3. Coborâți clapeta laterală - clapeta se poziționează pe canalul de descărcare. (Fig. 6C)



Doar când motorul și cuțitul sunt oprite!

9-2 MAȘINĂ DE TUNS IARBA PENTRU MULCIRE

Ce înseamnă mulcire?

La mulcire, iarba este tăiată într-o etapă de lucru, apoi este mărunțită și returnată pe gazonul de iarba ca fertilizator natural.

Indicații pentru mulcire:

- Scurtare normală cu max. 2 cm, de la o înălțime a ierbii de 6 cm la 4 cm.
- Utilizați un cuțit de tăiere ascuțit
- Nu tundeți iarba udă
- Setati turația maximă a motorului
- Deplasați-vă doar în spațiul de lucru
- Curățați în mod regulat pana de mulcire, partea interioară a carcasei și lama de tăiere



AVERTISMENT: Doar cu motorul oprit și cuțitul staționar.

- Ridicați clapeta laterală și scoateți canalul de descărcare. (Fig. 7A, Fig. 7B)
 - Clapeta laterală închide automat deschiderea de descărcare de pe carcasă prin intermediul forței unui arc.
 - Curățați regulat clapeta laterală și deschiderea de descărcare de resturile de iarbă și reziduurile blocate.

10. INSTRUCȚIUNI DE UTILIZARE

10-1 ÎNAINTEA PORNIRII

Efectuați întreținerea motorului cu benzină și ulei conform instrucțiunilor din manualul de motor separat furnizat cu mașina dumneavoastră de tuns iarba. Citiți cu atenție instrucțiunile.



AVERTISMENT: Benzina este extrem de inflamabilă.

Depozitați combustibilul în recipiente special destinate acestui scop.
Realimentați doar în exterior, înainte de a porni motorul și nu fumați în timpul realimentării sau manipulării combustibilului.
Nu scoateți niciodată capacul rezervorului de combustibil și nu adăugați benzină în timp ce motorul este pornit sau este cald.

Dacă benzina se varsă, nu încercați să porniți motorul, ci îndepărtați mașina de zona în care a avut loc curgerea și evitați crearea oricărei surse de aprindere până la dispararea vaporilor de benzină.

Remontați corect toate capacele de recipiente, precum și capacul rezervorului de combustibil.

Înainte de a înclina mașina de tuns iarba pe bază de benzină pentru întreținerea lamei sau evacuarea uleiului, eliminați combustibilul din rezervor.



AVERTISMENT: Nu alimentați niciodată cu combustibil în interior, cu motorul pornit sau fără a lăsa motorul să se răcească timp de cel puțin 15 minute după operare.

10-2 PENTRU A PORNII MOTORUL ȘI A CUPLA LAMA

- Unitatea este prevăzută cu un manșon din cauciuc peste capătul bujiei, asigurați-vă că bucla metalică de pe capătul conductorului bujiei (din interiorul manșonului din cauciuc) este fixată ferm peste vârful de metal al bujiei.
- Pentru PLM5121:
La pornirea motorului cald sau rece, rotiți maneta de șoc a accelerației la orice poziție între poziția "☁" și poziția "☁➔". În timpul operării, rotiți maneta de șoc a accelerației la poziția "☁➔". (Fig. 8B)
- Pentru PLM5120:
La pornirea motorului la rece, apăsați ventilul de

pornire de 3 - 5 ori înainte de a porni motorul, apoi rotiți maneta de șoc a accelerației la poziția "☁". Când porniți motorul cald și în timpul operării, comutați maneta de șoc a accelerației la poziția "☁➔". (Fig. 8A, Fig. 8B)

- Stând în spatele mașinii, apucați maneta de comandă frână și mențineți poziția acesteia pe mânerul superior, conform Fig. 8C.
- Apucați mânerul demarorului în modul indicat în Fig. 8C și trageți rapid în sus. Readeuceți-l ușor pe bolțul ghidajului de cablu după pornirea motorului. Eliberați maneta de comandă frână pentru a opri motorul și lama. (Fig. 8D)



Porniți motorul cu atenție conform instrucțiunilor, cu picioarele la distanță de lamă.



Nu înclinați mașina de tuns iarba pe bază de benzină la pornirea motorului. Porniți mașina de tuns iarba pe o suprafață plană, fără iarbă înaltă sau obstacole.



Țineți mâinile și picioarele la distanță de componentele care se rotesc. Nu porniți motorul când vă aflați în fața orificiului de descărcare.

10-3 PROCEDURI DE UTILIZARE

În timpul operării, țineți strâns maneta de frână cu ambele mâini.



NOTĂ: În timpul operării, când maneta de frână este eliberată, motorul se va opri, oprindu-se astfel și operarea mașinii de tuns iarba pe bază de benzină.

10-4 PENTRU A OPRI MOTORUL



ATENȚIE: Lama continuă să se rotească timp de câteva secunde după oprirea motorului.

- Eliberați maneta de comandă frână pentru a opri motorul și lama.
- Deconectați și legați la masă conductorul bujiei conform instrucțiunilor din manualul separat al motorului pentru a preveni pornirea accidentală în timp ce motorul este nesupravegheat.

10-5 CONEXIUNE PENTRU MIȘCARE AUTOMATĂ

Pentru PLM5121

Prindeți mânerul de comandă pentru acționare automată, mașina de tuns iarba pe bază de benzină se va deplasa automat înainte cu aproximativ 3,6 km/s (Fig. 9), iar dacă eliberați mânerul pentru acționare automată, mașina de tuns iarba pe bază de benzină se va opri.



ATENȚIE: Mașina dumneavoastră de tuns iarba este concepută pentru a tăia iarbă rezidențială obișnuită, nu mai înaltă de 250 mm.

Nu încercați să tundeți iarbă uscată foarte înaltă sau iarbă umedă (de exemplu, pășune), sau grămezi de frunze uscate. Reziduurile se pot acumula pe puntea mașinii sau pot intra în contact cu țeava de eșapament a motorului, apărând pericolul incendiilor.

10-6 PENTRU OBTINEREA UNOR REZULTATE CÂT MAI BUNE LA TUNDEREA IERBII

Eliberați gazonul de reziduuri. Asigurați-vă că gazonul este liber de pietre, bețe, sârme sau alte obiecte străine care pot fi proiectate accidental de mașina de tuns iarba în orice direcție provocând răni operatorului și altor persoane din apropiere, precum și aducând daune proprietății și obiectelor din jur. Nu tăiați iarbă udă. Pentru o tundere a ierbii cât mai eficientă, nu tăiați iarbă udă, deoarece aceasta are tendința de a se lipi de partea inferioară a punții, împiedicând tunderea corectă a ierbii tăiate. Tăiați iarba pe cel mult 1/3 din lungime. Tăierea recomandată pentru tundere este de 1/3 din lungimea ierbii. Viteza de deplasare va trebui reglată astfel încât bucățile de iarbă tăiată să poate fi distribuite uniform pe gazon. În special pentru tăieri dificile în iarbă deasă, poate fi necesară utilizarea celei mai reduse turații, pentru a obține o tundere corectă și curată. La tunderea ierbii înalte este posibil să fie necesară tunderea peluzei în două ture, coborând lama cu încă 1/3 din lungime pentru cea de-a doua tăiere, precum și tăierea cu un model diferit de cel utilizat la prima tăiere. Suprapunerea unei tăieri cu fiecare trecere va ajuta, de asemenea, la curățarea oricăror bucăți de iarbă rămase pe gazon. Mașina de tuns iarba trebuie întotdeauna operată la accelerație maximă pentru a obține cea mai bună tăiere și pentru a permite o operație de tundere cât mai eficientă. Curățați partea inferioară a punții. Asigurați-vă că ați curățat partea inferioară a punții după fiecare utilizarea pentru a evita acumularea ierbii, care ar putea împiedica o mulcire corespunzătoare. Tunderea frunzelor. Tunderea frunzelor poate fi, de asemenea, benefică pentru gazonul dumneavoastră. La tunderea frunzelor, asigurați-vă că acestea sunt uscate și nu formează un strat prea gros pe gazon. Nu așteptați căderea tuturor frunzelor din copaci înainte de tundere.



AVERTISMENT: Dacă loviți un obiect străin, opriți motorul. Deconectați conductorul de la bujie, inspectați cu atenție mașina de tuns iarba pentru a identifica eventuale defecțiuni și remediați defecțiunea înainte de a reporni și opera mașina de tuns iarba. Vibrațiile excesive ale mașinii de tuns iarba în timpul operării indică un defect. Unitatea trebuie inspectată și reparată prompt.

10-7 PUNTE

Partea inferioară a punții mașinii de tuns iarba trebuie curățată după fiecare utilizare pentru a preveni acumularea bucăților de iarbă tăiată, a frunzelor, mizeriei și altor materii. Dacă aceste reziduuri sunt lăsate să se acumuleze, pot rezulta ruginirea și coroziunea, împiedicând mulcirea corectă. Puntea trebuie curățată prin înclinarea mașinii de tuns iarba și curățarea prin răzuire cu un instrument adecvat (asigurați-vă că ați deconectat conductorul bujiei).

11. INSTRUCȚIUNI DE ÎNTREȚINERE

BUJIE

Utilizați doar o bujie de schimb originală. Pentru cele mai bune rezultate, înlocuiți bujia la fiecare 100 de ore de utilizare.

12. INSTRUCȚIUNI DE LUBRIFIERE



ATENȚIE: DECONECTAȚI BUJIA ÎNAINTE DE EFECTUAREA SERVICIULUI.

1. ROȚI - Lubrifiați rulmenții din fiecare roată cel puțin o dată pe sezon, cu ulei ușor.
2. MOTOR - Consultați manualul motorului pentru instrucțiuni de lubrifiere.
3. CONTROL LAMĂ - Lubrifiați punctele de pivotare de pe maneta de control al lamei și cablul de frână cel puțin o dată pe sezon, cu ulei ușor. Controlul lamei trebuie să opereze liber în ambele direcții.

13. CURĂȚAREA



ATENȚIE: Nu stropiți cu apă motorul. Apa poate duce la defectarea motorului sau poate contamina sistemul de combustibil.

1. Ștergeți puntea cu o cârpă uscată.
2. Stropiți cu apă partea de sub punte ridicând mașina de tuns iarba astfel încât bujia să fie sus.

13-1 FILTRU DE AER MOTOR



ATENȚIE: Nu permiteți acumularea mizerii sau prafului în elementul de spumă al filtrului de aer. Elementul filtrului de aer al motorului trebuie întreținut (curățat) după 25 de ore de utilizare normală a mașinii de tuns iarba. Elementul de spumă trebuie întreținut în mod regulat dacă mașina de tuns iarba este folosită în condiții uscate, cu mult praful. (Consultați MANUALUL PROPRIETARULUI MOTORULUI)

Pentru a CURĂȚA FILTRUL DE AER

1. Demontați șurubul. (Fig. 10A, Fig. 10B)
2. Scoateți capacul.
3. Spălați elementul de filtru în apă cu săpun. **NU FOLOȘIȚI BENZINĂ!**
4. Lăsați elementul de filtru să se usuce la aer.
5. Aplicați câteva picături de ulei SAE30 pe filtrul cu spumă și strângeți ferm pentru a elimina uleiul în exces.
6. Remontați filtrul.



NOTĂ: Înlocuiți filtrul dacă acesta este uzat, rupt, deteriorat sau nu mai poate fi curățat.

13-2 LAMA DE TĂIERE



ATENȚIE: Asigurați-vă că deconectați și legați la masă conductorul bujiei înainte de a lucra pe lama de tăiere, pentru a preveni pornirea accidentală a motorului. Protejați-vă mâinile cu mănuși groase sau cu o cârpă atunci când apucați lamele de tăiere. Înclinați mașina de tuns iarba în modul specificat în manualul separat al motorului. Demontați bolțul hexagonal și șaiba care fixează lama și adaptorul de lamă pe arborele cotit al motorului. Demontați lama și adaptorul de pe arborele cotit.



AVERTISMENT: Inspectați periodic adaptorul de lamă pentru identificarea eventualelor fisuri, în special dacă ați lovit un obiect străin. Înlocuiți dacă este necesar. Pentru cele mai bune rezultate, lama trebuie să fie ascuțită. Lama poate fi recalibrată prin demontarea ei și șlefuirea sau pilirea marginii de tăiere păstrând obicitatea originală pe cât posibil. Este extrem de important ca fiecare margine de tăiere să fie șlefuită în mod egal pentru a evita o lamă dezechilibrată. O lamă neechilibrată va duce la vibrații excesive, cauzând defectarea motorului și a mașinii de tuns iarba. Asigurați-vă că echilibrați cu atenție lama după ascuțire. Echilibrul lamei poate fi testat prin echilibrarea balansarea acesteia pe o șurubelniță de arbore rotundă. Șlefuiți partea mai grea până la o balansare perfectă.

Înainte de reasamblarea lamei și a adaptorului de lamă pe unitate, lubrifiați arborele cotit al motorului și suprafața interioară a adaptorului de lamă cu ulei ușor. Montați adaptorul de lamă pe arborele cotit al motorului. Consultați Fig. 11. Amplasați lama cu numărul de piesă în partea opusă adaptorului. Aliniați șaiba peste lamă și introduceți bolțul hexagonal. Strângeți bolțul hexagonal la cuplul listat mai jos:

13-3 CUPLU DE MONTARE LAMĂ

Bolț central 40 Nm-50 Nm, pentru a garanta operarea în siguranță a unității dumneavoastră. TOATE piulițele și bolțurile trebuie verificate periodic pentru a fi strânse corect.

După o utilizare prelungită, în special în condiții de sol nisipos, lama se va uza și își va pierde din forma originală. Eficiența tăierii se va reduce, iar lama va trebui înlocuită. Înlocuiți doar cu o lamă de schimb aprobată de producător. Posibilele daune rezultate din neechilibrarea lamei nu intră în responsabilitatea producătorului. Când schimbați lama, trebuie să utilizați tipul original marcat pe lamă (MAKITA 263001826) (pentru a comanda lama, vă rugăm să contactați distribuitorul local sau societatea noastră).



AVERTISMENT: Nu atingeți lama rotativă.

13-4 MOTOR

Consultați manualul separat al motorului pentru instrucțiuni de întreținere a motorului. Întrețineți uleiul de motor conform instrucțiunilor din manualul separat al motorului, furnizat împreună cu

unitatea dumneavoastră. Citiți cu atenție și respectați instrucțiunile.

Întrețineți filtrul de aer conform manualului separat al motorului, în condiții de utilizare normală.

Curățați la fiecare câteva ore în condiții cu foarte mult praf. O performanță slabă a motorului și încălzirea acestuia indică, de obicei, faptul că trebuie efectuată întreținerea filtrului de aer.


Pentru întreținerea filtrului de aer, consultați manualul separat al motorului furnizat împreună cu unitatea dumneavoastră.

Bujia trebuie curățată, iar distanța dintre electrozi trebuie resetată o dată pe sezon. Se recomandă înlocuirea bujiei la începerea fiecărui sezon de tundere a ierbii; verificați manualul motorului pentru tipul corect de bujie și specificații privind distanța corectă între electrozi.

Curățați motorul în mod regulat cu o cârpă sau perie. Păstrați sistemul de răcire (zona carcasi ventilatorului) curat pentru a permite o circulare adecvată a aerului, aceasta fiind esențială pentru operarea și durata de viață a motorului. Asigurați-vă că îndepărtați iarba, mizeria și reziduurile de combustibil din zona tobei de eșapament.

14. INSTRUCȚIUNI DE DEPOZITĂRE (ÎN AFARA SEZONULUI)

Pentru a pregăti mașina de tuns iarba pe bază de benzină pentru depozitare urmați pașii de mai jos.

1. Goliți rezervorul după ultima tundere a ierbii din sezonul respectiv.
 - a) Goliți rezervorul de combustibil cu o pompă de aspirație.
 2.  **ATENȚIE:** Nu goliți benzina în încăperi închise, în apropierea unei flăcări deschise etc. Nu fumați! Vaporii de benzină pot cauza explozii sau incendii.
 - b) Porniți motorul și lăsați-l să funcționeze până la consumarea întregii cantități de benzină rămase și până la blocare.
 - c) Demontați bujia. Folosiți un bidon de ulei pentru a umple aproximativ 20 ml de ulei în camera de combustie. Acționați demarorul pentru a distribui uniform uleiul în camera de combustie. Remontați bujia.
3. Curățați și ungeți cu atenție mașina de tuns iarba pe bază de benzină conform descrierii din secțiunea "Lubrifierea" de mai sus.
 4. Ungeți ușor cuțitul pentru a evita coroziunea.
 5. Depozitați mașina de tuns iarba pe bază de benzină într-un loc uscat, curat, protejat împotriva înghețului, ferit de accesul persoanelor neautorizate.



ATENȚIE: Motorul trebuie să se fi răcit complet înainte de depozitarea mașinii de tuns iarba pe bază de benzină.

**NOTĂ:**

- La depozitarea oricărui tip de echipament electric într-o zonă de depozitare a materialelor sau o zonă neventilată, se va asigura protecția echipamentului împotriva coroziunii. Utilizând un ulei ușor sau silicon, acoperiți cu un strat echipamentul, în special cablurile și toate părțile mobile.
- Acordați atenție pentru a nu îndoi sau strivi cablurile.
- În cazul în care cablul demarorului se deconectează de la ghidajul de cablu de pe mâner, deconectați și legați la masă conductorul bujiei, apăsați maneta de comandă frână și trageți încet cablul demarorului din motor. Introduceți cablul demarorului în bolțul de ghidare cablu de pe mâner.

Transport

Oprii motorul. Asigurați-vă că nu îndoiți sau deteriorați cuțitul la împingerea peste obstacole a mașinii de tuns iarba pe bază de benzină.

15. DEPANARE

PROBLEMĂ	CAUZĂ PROBABILĂ	AȚIUNE CORECTIVĂ
Motorul nu pornește.	Maneta de șoc a accelerației nu se află în poziția corectă pentru condițiile date.	Mutați maneta de șoc a accelerației în poziția corectă.
	Rezervorul de combustibil este gol.	Umpleți rezervorul cu combustibil: consultați MANUALUL PROPRIETARULUI MOTORULUI.
	Elementul filtrului de aer este murdar.	Curățați elementul filtrului de aer: consultați MANUALUL PROPRIETARULUI MOTORULUI.
	Bujie desprinsă.	Strângeți bujia la un cuplu de 25-30 Nm.
	Conductor al bujiei desprins sau deconectat de la bujia.	Montați conductorul bujiei pe bujia.
	Distanța între electrozii bujiei este incorectă.	Setați distanța între electrozi la 0,7 - 0,8 mm.
	Bujia este defectă.	Montați o bujia nouă, cu o distanță corectă între electrozi: consultați MANUALUL PROPRIETARULUI MOTORULUI.
	Carburatorul este inundat cu combustibil.	Demontați elementul filtrului de aer și trageți cablul demarorului în mod continuu până când carburatorul se curăță, iar apoi montați elementul filtrului de aer.
	Modul de aprindere defect.	Contactați agentul de service.
Motor dificil de pornit sau motorul pierde putere.	Murdărie sau apă în rezervor sau rezervor de combustibil gol.	Goliți combustibil și curățați rezervorul. Umpleți rezervorul cu combustibil curat, proaspăt.
	Orificiul de aerisire din capacul rezervorului de combustibil este înfundat.	Curățați sau înlocuiți capacul rezervorului de combustibil.
	Elementul filtrului de aer este murdar.	Curățați elementul filtrului de aer.
Motorul funcționează neregulat.	Bujia este defectă.	Montați o bujia nouă, cu o distanță corectă între electrozi: consultați MANUALUL PROPRIETARULUI MOTORULUI.
	Distanța între electrozii bujiei este incorectă.	Setați distanța între electrozi la 0,7 - 0,8 mm.
	Elementul filtrului de aer este murdar.	Curățați elementul filtrului de aer: consultați MANUALUL PROPRIETARULUI MOTORULUI.
Turație de ralanti motor defectuoasă.	Elementul filtrului de aer este murdar.	Curățați elementul filtrului de aer: consultați MANUALUL PROPRIETARULUI MOTORULUI.
	Fantele de aer din mantaua de protecție a motorului sunt blocate.	Eliminați reziduurile din fante.
	Aripiioarele de răcire și căile de aer de sub carcasa ventilatorului motorului sunt blocate.	Eliminați reziduurile din aripiioarele de răcire și căile de aer.
Întrepreri ale motorului la turații mari.	Spațiul dintre electrozii bujiei este prea mic.	Setați distanța între electrozi la 0,7 - 0,8 mm.
Motorul se supraîncălzește.	Fluxul de aer de răcire este obstrucționat.	Eliminați reziduurile din fantele aflate în mantaua de protecție, carcasa ventilatorului, căile de aer.
	Bujie incorectă.	Montați bujia RJ19LMC și aripiioarele de răcire pe motor.
Mașina de tuns iarba vibrează anormal.	Ansamblul de tăiere nu este fixat ferm.	Strângeți lama.
	Ansamblul de tăiere este dezechilibrat.	Echilibrați lama.

16. GARANȚIE

Acest produs este garantat în conformitate cu reglementările legale pentru o perioadă de 12 luni de la data achiziționării de către primul utilizator.

abuz, accidente sau modificări; și nici costurile de

Această garanție acoperă toate defectele de material și de fabricație, dar nu include defecte cauzate de uzura normală și piesele uzate, precum rulmenți, perii, cabluri, bujii sau accesorii precum burghie, vârfuri de burghie, pânze de ferăstrău etc.; daune sau defecțiuni rezultate din transport.

Ne rezervăm dreptul de a respinge orice reclamație în cazul în care achiziționarea nu poate fi verificată sau în cazul în care este evident faptul că produsul nu a fost întreținut în mod corespunzător. (Fante de aerisire curate, perii de cărbune întreținute în mod regulat.) Chitanța de cumpărare trebuie păstrată ca dovadă pentru data de achiziție.

Mașina, fără a fi dezasamblată, trebuie returnată dealerului în stare curată, în cutia turnată originală, dacă mașina a fost livrată în aceasta, însoțită de dovada de cumpărare.

Model: PLM5121

Nivel de putere acustică măsurată: 92,4 dB (A)

Nivel de presiune sonoră garantat: 98 dB (A)

30.11.2011



Tomoyasu Kato

Director

Makita Corporation
3-11-8, Sumiyoshi-cho,
Anjo, Aichi, JAPAN

17. MEDIU

În cazul în care mașina dumneavoastră trebuie înlocuită după o lungă perioadă de utilizare, nu o depuneți la gunoierul menajer și respectați normele de protecție a mediului la depunerea acesteia la deșeurii.

18. DECLARAȚIE DE CONFORMITATE CE

(Doar pentru țările europene)

Subscrisa, Makita Corporation, în calitate de producător responsabil, declară că următoarea (următoarele) unealtă (unele) Makita:

Denumirea utilajului: Mașină de tuns iarba pe bază de benzină

Nr. model/Tip: PLM5120, PLM5121

Specificații: Consultați "4. DATE TEHNICE"

este/sunt produs(e) de serie și

sunt în conformitate cu următoarele Directive

Europene:

2004/108/CE, 2006/42/CE,

2000/14/CE și 2005/88/CE

Și sunt fabricate în conformitate cu următoarele standarde sau documente standardizate:

EN ISO 14982, EN836

Documentația tehnică este în posesia reprezentanților noștri autorizați în Europa, aceștia fiind:

Makita International Europe Ltd.

Michigan Drive, Tongwell,

Milton Keynes, Bucks MK15 8JD, Anglia

Procedura de evaluare a conformității prevăzută de Directiva 2000/14/CE a fost în concordanță cu Anexa V.

Organism notificat:

TÜV SÜD Industrie Service GmbH

Westendstraße 199, 80686 München, Germania

Număr de identificare: 0036

Model: PLM5120

Nivel de putere acustică măsurată: 92,3 dB (A)

Nivel de presiune sonoră garantat: 98 dB (A)

Az általános nézeti rajz magyarázata

- | | | |
|------------------------------|--------------------------|-----------------------|
| 1. Fékkar | 7. Kábelrögzítő bilincs | 13. Olajbetöltő sapka |
| 2. Felső fogantyú | 8. Magasság beállító kar | 14. Indítófogantyú |
| 3. Kerékhajtás kapcsolókarja | 9. Géptest | 15. Csavar |
| 4. Hidegindító kar | 10. Oldalsó billenőfűl | 16. Alátét |
| 5. Kötélvezető | 11. Gyújtógyertya | 17. Szívatógomb |
| 6. Rögzítő gomb | 12. Tanksapka | 18. Csavar |



FIGYELEM:

Saját biztonsága érdekében az új gép használatának megkezdése előtt olvassa el a kezelési utasítást. Ennek elmulasztása súlyos személyi sérülésekhez vezethet. Minden használat előtt szánjon néhány percet a géppel való ismerkedésre.



Vigyázat! A motor felforrósodhat.

1. A TERMÉKEN TALÁLHATÓ JELZÉSEK



Olvassa el a használati utasítást.



A fűnyíró használatakor ne engedjen senkit annak közelébe.



Különösen ügyeljen a kezelő kéz- és lábsérülésének elkerülésére.



Az üzemanyag gyúlékony, ne használjon a közelében nyílt lángot. Járó motorú gépbe ne töltsön üzemanyagot.



A kipufogógáz mérgező; Ne működtesse a gépet zárt térben.



Fűnyírás közben viseljen védőszemüveget és füldugót egészsége védelmében.



Javításkor a gyújtógyertyát a kezelési utasításban ismertetett módon szerelje ki, majd javítást ezután végezzen.

2. ÁLTALÁNOS BIZTONSÁGI RENDSZABÁLYOK



FIGYELEM: Benzinnel működő berendezések használata esetén az esetleges személyi sérülés és anyagi kár elkerülése érdekében mindig tartsa be az alapvető biztonsági rendszabályokat az alábbiakkal együtt. A gép használatának megkezdése előtt olvassa el az összes rá vonatkozó utasítást, és tartsa meg a dokumentációt későbbi használatra.



FIGYELEM: A gép elektromágneses mezőt kelt működés közben. Ez az elektromágneses mező bizonyos körülmények között zavarhatja az emberi szervezetbe beültetett aktív vagy passzív implantátumokat. Az esetleges súlyos vagy halálos következmény elkerülése érdekében javasoljuk, hogy a beültetett implantátummal élő személy a gép használata előtt konzultáljon orvosával és az implantátum gyártójával.

Oktatás

- Az utasításokat figyelmesen olvassa el. Sajátítsa el a gép helyes használatát és kezelőszervek működtetését.
- Soha ne engedje, hogy gyermekek vagy ezen utasításokat nem ismerő személyek használják a fűnyírót. Előfordulhat, hogy a helyi törvények rendelkeznek a kezelő életkorát illetően.
- Ne végezzen fűnyírást, ha emberek – különösen gyermekek – vagy háziállatok tartózkodnak a gép közvetlen közelében.
- Ne feledje, hogy a kezelő, illetve felhasználó felelős a balesetekért, vagy a más személyekkel vagy tulajdonnal szembeni veszélyhelyzetekért.

Előkészületek

- Fűnyírás közben mindig megfelelő lábbelit és hosszú nadrágot viseljen. Ne működtesse a gépet mezít láb vagy nyitott szandálban.
- Alaposan vizsgálja meg azt a területet, ahol a fűnyírót használni szeretné, és távolítsa el minden olyan tárgyat, melyet a gép felkaphat és kidobhat.
- FIGYELEM! – A benzin rendkívül gyúlékony.

- benzint kizárólag erre a célra készített edényben tároljon.
- tankolást ne végezzen zárt térben, és tankolás közben ne dohányozzon.
- még a motor beindítása előtt tankoljon. Soha ne vegye le a tanksapkát, és ne tankoljon járó motor mellett, vagy amíg a motor le nem hűlt.
- ha kifolyt a benzin, ne indítsa be a gépet, hanem tolja arrébb a kiömlés helyéről és kerülje bármely tűzforrás kialakulását, amíg a benzingőzök eloszlanak.
- zárjon vissza biztonságosan minden tanksapkát és benzinkanna fedelet.
- A hibás hangtompítót cserélje le.
- Használat előtt mindig ellenőrizze szemrevételezéssel, hogy a pengék, a penge csavarjai és a vágóegység nem kopott vagy sérült-e. A kopott vagy sérült pengéket és csavarokat a kiegyensúlyozottság megtartása érdekében egyszerre, készletben cserélje.

Üzemeltetés

- Ne működtesse a gépet zárt térben, ahol mérgező szénmonoxid gyűlhet fel.
- Fűnyírást csak nappali fényben, vagy kellő mesterséges megvilágítás mellett végezzen.
- Kerülje a gép nedves fűben való használatát, amennyiben ez lehetséges.
- Lejtőn mindig bizonyosodjon meg lába kellő megtámasztásáról.
- Sétálva haladjon, soha ne fusson.
- A kerékkel ellátott, forgó mozgást végző gépeknél a lejtőn keresztsbe haladjon, ne a lejtés irányában.
- Különösen óvatosan járjon el a lejtőn való irányváltáskor.
- Ne végezzen fűnyírást túl meredek lejtőkön.
- Különösen óvatosan járjon el hátramenetben, illetve amikor a fűnyírót maga felé húzza.
- Várja meg a pengék megállását, ha a fűnyírót egy nem füves területen való áthaladás érdekében meg kell dönteni, illetve amikor a fűnyírót a levágandó területhez/ területről szállítja.
- Ne használja a fűnyírót hibás védőelemekkel, illetve biztonsági eszközök nélkül, például nem felszerelt terelőelemekkel és/vagy fűgyűjtővel.
- Ne módosítsa a motor alapbeállításait, vagy ne pörgesse túl a gépet.
- A motor beindítása előtt oldja ki a pengemeghajtás és menetmeghajtás tengelykapcsolóját.
- Ügyelve lábai épségére indítsa be óvatosan a motort az utasítás szerint.
- A motor indítása közben ne billentse meg a fűnyírót.
- Ne indítsa el a motort, amikor a kidobónyílás előtt áll.
- Ne közelítse kezét és lábát forgó alkatrészekhez. A kidobónyílást mindig tartsa szabadon.
- Járó motorú fűnyírót soha ne emeljen fel, és ne szállítson.
- Állítsa le a motort, és kösse le a gyertyakábel, majd győződjön meg arról, hogy az összes mozgó alkatrész teljesen leállt. Ha a gép kulccsal indítható, vegye ki a kulcsot:
 - mielőtt eltömődést szüntet meg vagy megtisztítja a kidobónyílást.

- ellenőrizés, tisztítás vagy a fűnyíróval való munkavégzés előtt.
- idegen tárggyal ütközést követően. Vizsgálja át a gépet, hogy nem sérült-e meg, és végezze el a szükséges javításokat újbóli elindítás és használat előtt.
- ha a gépen rendellenes vibrációt tapasztal (haladéktalanul ellenőrizze).
- Állítsa le a motort, és kösse le a gyertyakábel, majd győződjön meg arról, hogy az összes mozgó alkatrész teljesen leállt. Ha a gép kulccsal indítható, vegye ki a kulcsot:
 - minden esetben, ha felügyelet nélkül hagyja azt.
 - tankolás előtt.
- A motor leállítás előtt vegye vissza a gázt. Ha a motoron van zárócsap, zárja el a fűnyírást befejeztével.

Karbantartás és tárolás

- A gép biztonságos műszaki állapotának biztosítása érdekében az anyacsavarok és csavarok mindig legyenek meghúzva.
- Ne tárolja a gépet feltöltött benzintartállyal olyan épületen belül, ahol a benzingőzök nyílt lánggal vagy szikrával találkozhatnak.
- Hagyja lehűlni a motort, mielőtt zárt helyen letárolja a gépet.
- A tűzveszély csökkentése érdekében tisztítsa meg a motort, hangtompítót, akkumulátorrekeszt és a benzintartályt minden ráakódott fűtől, levétől és felesleges zsírtól.
- Rendszeresen ellenőrizze a fűgyűjtőt, hogy nem kopott vagy sérült-e.
- A biztonság érdekében cserélje ki a kopott vagy sérült alkatrészeket.
- Az üzemanagyartályt csak nyílt térben őrítse le.



FIGYELEM: Ne érjen a forgó pengéhez.



FIGYELEM: A tankolást jól szellőző helyen, leállított motornál végezze.

3. ALKATRÉSZEK LEÍRÁSA (1A és 1B ábra)

Felsorolás:

- A: Gyertyakulcs
- B: Üritőcsatorna

4. MŰSZAKI ADATOK

Típus	PLM5121	PLM5120
Motor típusa	B&S675EX sorozatú, ReadyStart, 126T	B&S625E sorozatú, 122T
Önjáró	Igen	Nem
Motor hengerűrtartalma	190 cm ³	190 cm ³
Vágási szélesség	510 mm	510 mm
Névleges fordulatszám	2800/perc	2800/perc
Üzemanyagtartály űrtartalma	1,0 L	1,0 L
Nettó tömeg	31,7 kg	28 kg
Magasságállítás:	25–70 mm, 5 fokozatban	
L _{pA} (SPL) a felhasználói telephelyén (k = 3 dB (A))	79,2 dB (A)	78,9 dB (A)
Garantált hangteljesítményszint L _{wA}	98 dB (A)	98 dB (A)
Vibráció (k = 1,5 m/s ²)	2,305 m/s ²	2,056 m/s ²

5. ÖSSZESZERELÉS

5-1 AZ ÖSSZEAHAJTHATÓ TOLÓKAR ÖSSZESZERELÉSE

- Rögzítse a tolókar alsó részeit az egységre a rögzítógombokkal az ábra szerint. **(2A ábra, 2B ábra, 2C ábra, 2D ábra)**
- A tolókar felső és alsó részét a rögzítógombbal erősítse egymáshoz. **(2E ábra, 2F ábra, 2G ábra)**
- Helyezze fel a kábelrögzítő bilincset az ábrán látható pozícióba, majd illessze be a kábelt. **(2H ábra)**

6. A VÁGÁSMAGASSÁG BEÁLLÍTÁSA

Nyomja meg kifelé a kart a kerettől való elemeléshez. A magasság beállításához hajtsa előre vagy hátra a kart. A magasság (a penge a tereptől) beállítható 25 mm (1-es helyzet: a legalsó pozíció) és 70 mm között (5. helyzet: a legmagasabb pozíció), 5 magassági pozícióban. **(3A ábra, 3B ábra)**.

A nyírási magasság beállítása előtt állítsa le a gépet, és kösse le a gyertyakábelt.



FIGYELEM: Ezt a beállítást kizárólag a penge álló helyzetében végezze.

7. A MEGFELELŐ MAGASSÁG BEÁLLÍTÁSA (4A ábra, 4B ábra)

- Távolítsa el a tolókar alsó részét rögzítő gombok csavarjait, lásd **4A ábra**.
- A **4B ábra** szerint, azaz fel-le mozgatva állítsa be a tolókar megfelelő magasságát. Ezen a fűnyírón 3 különböző magasság állítható be; az 1-es pozícióban a legmagasabb, a 3. fokozatban pedig a legalacsonyabb.
- Állítsa be a kívánt magasságot, majd rögzítse a tolókart a rögzítógombokkal.



FIGYELEM: A tolókar bal és jobb oldalát ugyanabba a magasságba kell beállítani.

8. INDÍTÓFOGANTYÚ (5. ábra)

A motorról helyezze át az indítófogantyút a kötélvezetőhöz.

9. „2 AZ 1-BEN”

9-1 ÁTÁLLÍTÁS OLDALSÓ ÜRÍTÉSES FŰNYÍRÁSRA

- Emelje fel az oldalsó kidobónyílás zárófedelét. **(6A ábra)**
- Szerelje fel az oldalsó fűkidobás terelőelemét az oldalsó zárófedél csapjára. **(6A ábra, 6B ábra)**
- Engedje le az oldalsó terelőelemet – a billenőül ráfeszíks az ürítőcsatornára. **(6C ábra)**



Kizárólag akkor végezze az alábbi műveleteket, ha a motor és a vágószerkezet áll!

9-2 MULCSOZÓ FŰNYÍRÓ

Mi a mulcsozás?

Mulcsozáskor a gép első lépésben levágja a fűvet, ami finomra aprítva ezután visszakerül a gyepre, mint természetes trágya.

Tippek a mulcsozó fűnyírásához:

- Rendszeresen, legfeljebb 2 cm-rel nyírja vissza a fűvet, és 4–6 cm magas gyepet hozzon létre.
- Használjon éles vágókést
- Ne nyírjon nedves fűvet
- Állítsa a motort maximális fordulatszámra
- Csak munkasebességgel haladjon
- Rendszeresen tisztítsa a mulcsozó betétet, a ház belső felét és a nyírópengét



FIGYELEM: Kizárólag leállított motor és álló vágószerkezet esetén végezze az alábbiakat.

- Emelje fel az oldalsó billenőfület és vegye le az őrítőcsatornát. **(7A ábra, 7B ábra)**
 - Az oldalsó billenőfül rugóerő hatására automatikusan lezárja a gép házán található oldalsó kidobónyílást.
 - Rendszeresen tisztítsa meg az oldalsó billenőfület és a kidobónyílást a fűmaradékoktól és a rátapadt szennyeződésektől.

10. KEZELÉSI UTASÍTÁSOK

10-1 INDÍTÁS ELŐTT

Ellenőrizze a benzint és olajat, szükség esetén tölts fel a motor fűnyíróhoz mellékelt különálló kezelési utasítása alapján. Az utasításokat figyelmesen olvassa el.



FIGYELEM: A benzin rendkívül gyúlékony.

Benzint kizárólag erre a célra készített edényben tároljon. A tankolást szabad téren végezze, még a motor beindítása előtt. Ne dohányozzon, amíg üzemanyaggal foglalkozik.

Ne vegye le a tanksapkát, és ne tankoljon járó motor mellett, és amíg a motor le nem hűlt.

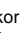
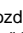
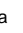

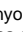
Ha kifolyt a benzin, ne indítsa be a gépet, hanem tolja arrébb a kiömlés helyéről és kerülje bármely tűzforrás kialakulását, amíg a benzingőzök eloszlának. Zárjon vissza biztonságosan minden tanksapkát és benzinkanna fedelet.

Mielőtt a penge karbantartására vagy olajcsere miatt felbillentené a fűnyírót, őrítse le a benzint a tartályból.



FIGYELEM: Ne tankoljon zárt térben, járó motor mellett vagy amíg a motor forró. Használat után hagyja a motort legalább 15 percig hűlni.

10-2 A MOTOR BEINDÍTÁSA ÉS A PENGE ELINDÍTÁSA

- A fűnyíró gyújtógyertyáján gumisapka található. Ellenőrizze, hogy a gyertyakábel végén (a gumisapkán belül) található fémhurok biztonságosan rögzült a gyújtógyertya fémhegyén.
1. a PLM5121-es típushoz:
Hideg vagy meleg motor indításakor mozdítsa hidegindító kart bárhová a „” és „” helyzet között. Üzemeléskor állítsa a hidegindító kart „” pozícióba. **(8B ábra)**
2. a PLM5120-as típushoz:
Hideg indításakor a motor indítása előtt nyomja be a szívatógombot 3–5 alkalommal, és állítsa a hidegindító kart „” pozícióba.
A meleg motor beindításához és a fűnyíráshoz állítsa a hidegindító kart „” pozícióba. **(8A ábra, 8B ábra)**
3. A gép mögött állva húzza meg a fékkart, és tartsa a tolókarhoz húzva, lásd: **8C ábra**.
4. Fogja meg az indítófogantyút a **8C ábra** szerint és gyors mozdulattal húzza fel. Ha a motor beindult, lassan engedje vissza a kart a kötélvezetőhöz.

A motor és a penge leállításához engedje el a fékkart. **(8D ábra)**



Ügyelve lábai épességére, indítsa be nagy körültekintéssel a motort az utasítás szerint.



A motor indítása közben ne billentse meg a fűnyírót. A fűnyírót vízszintes talajon indítsa be, ahol nincs magas fű és egyéb akadály.



Ne közelítsen kezével és lábával a forgó részekhez. Ne indítsa el a motort, amikor a kidobónyílás előtt áll.

10-3 HASZNÁLAT

Fűnyírás közben tartsa szorosan, két kézzel a fékkart.



MEGJEGYZÉS: Ha fűnyíráskor elengedi a fékkart, a motor leáll, így a fűnyíró működését is leállítja.

10-4 A MOTOR LEÁLLÍTÁSA



VIGYÁZAT: A motor leállása után a penge még pár másodpercig tovább forog.

- A motor és a penge leállításához engedje el a fékkart.
- Kösse le, és tesztelje a gyertyakábel a motorhoz tartozó külön utasítás szerint, hogy megelőzhető legyen a felügyelet nélkül hagyott gép véletlen beindítása.

10-5 ÖNJÁRÓ FUNKCIÓ BEKAPCSOLÁSA

a PLM5121-es típushoz

A kerékajtás kapcsolókarját húzza a tolókar felső részéhez, tartsa ott, és a fűnyíró automatikusan megindul előre körülbelül 3,6 km/s sebességgel. **(9. ábra)** Amikor elengedi a kapcsolókart, a fűnyíró megáll.



VIGYÁZAT: A fűnyíró 25 cm-nél nem magasabb, normál állapotú fű levágására szolgál.

Ne vágjon a géppel szokatlanul magas száraz vagy nedves fűvet (pl. rétet), illetve száraz levélhalmot. Növénymaradékok rakódhatnak a géptestre, vagy hozzáérhetnek a gép kipufogójához, ami tűzveszélyes.

10-6 A LEGJOBB EREDMÉNY ELÉRÉSE FŰNYÍRÁSKOR

Távolítsa el a hulladékokat a gyepről. A nyírándó gyepen ne legyen kő, fadarab, huzal vagy egyéb olyan tárgy, amit a fűnyíró bármilyen irányba kidobhat, és ezzel súlyos személyi sérülést okozhat a kezelőnek és a közelben tartózkodó személyeknek, valamint amitől anyagi kár keletkezhet. Ne nyírjon nedves fűvet. A hatékony fűnyírás érdekében ne nyírjon nedves fűvet, mert az a géptest alá ragadhat, ami akadályozza a megfelelő nyírást. A fű hosszának maximum 1/3-át nyírja le. Fűnyíráskor a javasolt vágási hossz a fű hosszának 1/3-a. Válassza

meg úgy a haladási sebességet, hogy a összpaprított fű egyenletesen terüljön el a gyepen. Nagyra nőtt sűrű gyepr nyírások különösen fontos a lassú haladás, hogy a gépnek legyen ideje az egyenletes magasságú vágásra. Hosszúra nőtt fű nyírásakor célszerű két menetben végezni a nyírást: a második menetben nyírja le a fű újabb 1/3-át, lehetőleg az előző menethez képest más irányban. A menetekben kis mértékű átfedés szintén segít az egyenletes és tiszta vágású gyepr kialakításában. A fűnyírót a legjobb vágási eredmény és a hatékony mulcsozás érdekében üzemeltesse mindig teljes gázzal. Tisztítsa meg a géptest alját. Minden fűnyírás után tisztítsa meg a gép alját, mert a lerakódott fű akadályozza a megfelelő mulcsozó aprítást. Levelek vágása. A levelek mulcsozása szintén jót tesz a gyepnek. Csak száraz, a gyepen nem túl vastag rétegben elterülő leveleket dolgozzon fel a fűnyíróval. Ne vágja meg a mulcsozással, hogy az összes levél lehulljon a fákrról.



FIGYELEM: Ha idegen tárgyba ütközött, állítsa le a fűnyírót. Vegye le a gyertyakábelt, és alaposan vizsgálja át a gépet, nem sérült-e meg. Az újraindítás és a munka folytatása előtt javítsa ki az esetleges sérüléseket. A működés közben tapasztalható erős rezgés károsodásra utal. A gépet ilyen esetben azonnal át kell vizsgálni, és meg kell javítani.

10-7 GÉPTEST

Minden használat után tisztítsa le a géptest aljáról a ráakódott fűvet, leveleket, szennyeződést vagy egyéb anyagokat. A felgyűlő, nem letakarított szennyeződés korróziót okozhat, emellett a megfelelő mulcsozó aprítást is gátolja. A tisztításhoz billentse fel a fűnyírót, és kaparja le a szennyeződést egy megfelelő eszközzel (a gyertyakábelt előtte feltétlenül vegye le).

11. KARBANTARTÁSI ÚTMUTATÓ

GYÚJTÓGYERTYA

Csak eredeti pótalkatrész gyújtógyertyát használjon. A legjobb eredmény érdekében minden 100 óra használat után cseréljen gyújtógyertyát.

12. KENÉSI ÚTMUTATÓ



VIGYÁZAT: A KARBANTARTÁSI MUNKÁK MEGKEZDÉSE ELŐTT KÖSSÉ LE A GYERTYAKÁBELT.

1. KEREKEK—Kenje meg a kerekek golyóscsapágyát kis viszkozitású kenőolajjal szezononként legalább egyszer.
2. MOTOR—A kenési utasításokat megtalálja a motor kézikönyvében.
3. PENGEVEZÉRLÉS—Kenje meg a pengevezérlő kar csuklóit és a fékezőkábelt kis viszkozitású kenőolajjal szezononként legalább egyszer. A pengevezérlő karnak mindkét irányban akadálytalanul kell mozognia.

13. TISZTÍTÁS



VIGYÁZAT: Ne mossa a motort vízsugárral. A víz károsíthatja a motort, és elszennyezheti az üzemanyagrendszeret.

1. A géptestet törölje le törülközővel.
2. A gépet felbillentve, hogy a gyújtógyertya felfele nézzen, vízsugárral lemoshatja a gép alját.

13-1 A MOTOR LÉGSZŰRŐJE



VIGYÁZAT: Ügyeljen arra, hogy a légszűrő szivacsbetétjét ne tömítse el por és egyéb szennyeződés. A légszűrőbetétben 25 órányi normál fűnyírás után végezzen karbantartást (tisztítsa ki). Száraz, poros környezetben történő használat esetén a légszűrőbetétet tisztítsa gyakrabban. (lásd a MOTOR KEZELÉSI UTASÍTÁST)

A LÉGSZŰRŐ TISZTÍTÁSA

1. Távolítsa el a csavart. (10A ábra, 10B ábra)
2. Távolítsa el a fedelet.
3. Mossa ki a betétet szappanos vízben. **NE HASZNÁLJON BENZINT!**
4. Szárítsa meg a betétet.
5. Cseppentsen pár csepp SAE30 motorolajat a betétre, majd csavarja ki belőle
6. Szerelje vissza a szűrőbetétet.



MEGJEGYZÉS: Cserélje ki a betétet, ha foszlik, elszakadt, megsérült vagy nem lehet kitisztítani.

13-2 VÁGÓPENGE



VIGYÁZAT: A motor véletlen beindulását megelőzendő, feltétlenül kösse le és testelje a gyertyakábelt, mielőtt a vágópengén dolgozni kezdene. Kezei védelmében viseljen erős védőkesztyűt, vagy fogja meg egy ronggyal a vágópengét. Billentse fel a fűnyírót a motor kézikönyvében ismertetett módon. Távolítsa el a pengét és a penge adapterét a főtengelyhez rögzítő hatlapfejű csavart és alátétet. Szerelje le a pengét és az adaptert a főtengelyről.



FIGYELEM: Ellenőrizze rendszeresen a pengeadaptert repedés szempontjából, különösen, ha a penge idegen tárgynak ütközött. Szükség esetén cserélje ki.

A legjobb eredmény érdekében éles pengével dolgozzon. A pengét a megélezéshez szerelje le, majd az élet az eredeti élszőg kialakításához leginkább megközelítően köszörülje, vagy reszelje élesre. A kiegyensúlyozatlanság elkerülése érdekében rendkívül fontos, hogy a penge minden vágóéle azonos mértékű megmunkálást kapjon. A kiegyensúlyozatlan penge túlzott vibrációt kelt, ami a motor és az egész fűnyíró idő előtti tönkremenetelét okozhatja. Élesítés után gondosan egyensúlyozza ki a pengét. A penge kiegyensúlyozottsága hengeres szárú

csavarhúzóval ellenőrizhető. A nehéző oldalról kőszőrüljön le annyi anyagot, amivel az egyensúly helyreáll.

A penge és a pengeadapter visszazserelése előtt kenje meg a főtengelyt és a pengeadapter belső felületét kis viszkozitással kenőolajjal. Szerelje be a pengeadaptert a motor főtengelyére. Lásd a **11. ábrát**. A pengét a cikkszámával kifele helyezze az adapterre. Illessze az alátétet a pengére, és szerelje be a hatlapfejű csavart. Húzza meg a csavart az előírt nyomatékkal, lásd alább:

13-3 PENGE MEGHÚZÁSI NYOMATÉKA

A középső csavar: 40Nm-50Nm, a gép biztonságos üzemelésének biztosítására. Rendszeresen ellenőrizze az ÖSSZES anya és csavar megfelelően meghúzott állapotát.

Hosszabb használat után, különösen homokos talaj esetén a penge elkophat, elvesztheti eredeti alakját. A vágás hatékonysága csökken, a pengét ki kell cserélni. A pengét csak jóváhagyott gyári pótpengére cserélje. A penge kiegyensúlyozatlanságából eredő esetleges károkkért a gyártó nem vállal felelősséget.

Ha pengét kell cserélni, csak (MAKITA 263001826) jelzéssel ellátott, eredeti pótalkatrészt használjon (pengerendeléshez forduljon a márkakereskedőhöz, vagy hívjon fel bennünket).



FIGYELEM: Ne érjen a forgó pengéhez.

13-4 MOTOR

A motor karbantartási utasításait a motor különálló kézikönyvében megtalálja.

A motorolaj tekintetében járjon el a motor különálló kézikönyvében olvasható utasítások szerint. Olvassa el körültekintően, és kövesse az utasításokat.

A légszűrő karbantartása tekintetében normál körülmények esetén járjon el a motor különálló kézikönyvében olvasható utasítások szerint.

Különösen poros környezetben történő használat esetén néhány óránként tisztítsa ki a légszűrőt. A légszűrő esedékes tisztítását a motor csökkenő teljesítménye és a légszűrő csöpögése jelzi.

A légszűrő karbantartása tekintetében esetén járjon el a motor különálló kézikönyvében olvasható utasítások szerint.

Szezononként egy ízben tisztítsa ki a gyújtógyertyát, és állítsa be az elektródahézagot. Gyújtógyertyát fűnyírási szezon előtt cseréljen; a gyújtógyertya típusát és az elektródahézag értékét megtalálja a motor kézikönyvében.

Tisztítsa meg rendszeresen a motort törlőronggyal vagy kefével. A hűtőrendszert (ventilátorház környéke) tartsa tisztán, hogy biztosítva legyen a motor megfelelő működéséhez és kellően hosszú élettartamához szükséges légáramlás. A kipufogó környékéről mindig távolítsa el a fűvet, szennyeződést és az éghető anyagokat.

14. TÁROLÁS (SZEZONON KÍVÜL)

A fűnyíró megfelelő tárolásához az alábbi lépések szükségesek.

1. A szezonban végzett utolsó fűnyírás után ürítse ki teljesen a benzintartályt.

a) Szívattal ürítse ki a benzintartályt.



VIGYÁZAT: Ne zárt helyiségben, vagy nyílt láng közvetlen közelében eressze le a benzint stb. Tilos a dohányzás! A benzingőzök berobbanhatnak, tüzet okozhatnak.

- b) A benzin leeresztése után indítsa be a motort, és járassa egészen addig, amíg az felhasználja az összes benzint és magától leáll.
 - c) Csavarja ki helyéről a gyújtógyertyát. Olajozókannával töltsön kb. 20 ml olajat az égéstérbe a gyertyafuraton keresztül. Az indítókötél meghúzásával oszlassa el egyenletesen a betöltött olajat az égéstérben. Csavarja vissza helyére a gyújtógyertyát.
2. Alaposan tisztítsa meg és kenje meg a fűnyírót a korábban a „Kenés” pontban ismertetett módon.
 3. A korrózió elkerülésére vékonyan zsírozza be a vágószerkezetet.
 4. Száraz, tiszta, fagymentes, jogosulatlan személyek által nem hozzáférhető helyen tárolja a fűnyírót.



VIGYÁZAT: A fűnyíró tárolóhelyre helyezése előtt hagyja teljesen lehűlni a motort.



MEGJEGYZÉS:

- Ha nem szellőző helyen tárol bármilyen motorral hajtott berendezést, gondot kell fordítani a berendezés rozsdásodás elleni biztosítására. Vonja be vékony réteg szilikonolajjal a berendezéseket, különös tekintettel a bovdenekre és mozgó alkatrészekre.
- Ügyeljen arra, hogy a bovdenek és egyéb kábelek ne törjenek meg, ne csípődjenek be.
- Ha az indítókötél kiakadna a fogantyún található vezetőlől, kösse ki, és testelje a a gyertyakábel, húzza be a pengevezérlő fogantyút, és húzza ki lassan a motorból az indítókötélet. Csúsztassa be a kötelet a fogantyún található kötélvezetőbe.

Szállítás

Állítsa le a motort. Ügyeljen, hogy a fűnyíró akadályokon való áttolása közben ne deformálódjon vagy sérüljön a vágószerkezet.

15. HIBAELHÁRÍTÁS

PROBLÉMA	LEHETSÉGES OK	JAVÍTÓ MŰVELET
A motor nem indul be.	A hidegindító kar nem az indítási feltételeknek megfelelő helyzetben áll.	Állítsa a hidegindító kar a megfelelő helyzetbe.
	Kiürült a benzintank.	Tankolja fel a gépet. lásd a MOTOR KEZELÉSI UTASÍTÁSÁT.
	Elszennyeződött a légszűrőbetét.	Tisztítsa ki a légszűrőbetétet: lásd a MOTOR KEZELÉSI UTASÍTÁSÁT.
	Kilazult a gyújtógyertya.	Húzza meg a gyújtógyertyát 25–30 Nm nyomatékkal.
	A gyertyakábel lelazult, vagy levált a gyertyáról.	Tegye vissza a gyertyakábelt a gyújtógyertyára.
	Nem megfelelő a gyertyahézag.	Állítsa be az elektródák hézagát 0,7–0,8 mm értékűre.
	Hibás a gyújtógyertya.	Szereljen be egy új, megfelelő hézagúra beállított gyújtógyertyát: lásd a MOTOR KEZELÉSI UTASÍTÁSÁT.
	A karburátor túltöltődött benzinnel.	Szerelje ki a légszűrőbetétet, az indítókötél folyamatos használatával forgassa át párszor a motort, hogy karburátor kiszellőzhessen, majd szerelje vissza a légszűrőbetétet.
	Hibás gyújtómodul.	Lépjen kapcsolatba a szerviz képviselőjével.
A motort nehéz beindítani, vagy nincs elég teljesítménye.	Szennyeződés, víz vagy lerakódás a benzintankban.	Újírtse le az üzemanyagot, és tisztítsa ki a tartályt. Tankoljon tiszta, friss benzint.
	Eltömődött a tanksapka szellőzőfurata.	Tisztítsa ki, vagy cserélje le a tanksapkát.
	Elszennyeződött a légszűrőbetét.	Tisztítsa ki a légszűrőbetétet.
A motor egyetlenül működik.	Hibás a gyújtógyertya.	Szereljen be egy új, megfelelő hézagúra beállított gyújtógyertyát: lásd a MOTOR KEZELÉSI UTASÍTÁSÁT.
	Nem megfelelő a gyertyahézag.	Állítsa be az elektródák hézagát 0,7–0,8 mm értékűre.
	Elszennyeződött a légszűrőbetét.	Tisztítsa ki a légszűrőbetétet: lásd a MOTOR KEZELÉSI UTASÍTÁSÁT.
Gyenge az alapjárat.	Elszennyeződött a légszűrőbetét.	Tisztítsa ki a légszűrőbetétet: lásd a MOTOR KEZELÉSI UTASÍTÁSÁT.
	Eltömődtek a motorburkolat szellőzőnyílásai.	Távolítsa el a szennyeződéseket.
	Eltömődtek a hűtőbordák és a légjáratok a léghűtő ház alatt.	Távolítsa el a szennyeződéseket a bordák közül és a légjáratokból.
A motor magas fordulatszámra kihagy.	Túl kicsi a gyertyahézag.	Állítsa be az elektródák hézagát 0,7–0,8 mm értékűre.
Túlmelegszik a motor.	A hűtőlevegő útja elzáródott.	Távolítsa el a szennyeződéseket a bordák közül és a légjáratokból.
	Nem megfelelő a gyertyahézag.	Szereljen be RJ19LMC típusú gyújtógyertyát, és tisztítsa meg a hűtőbordákat.
Rendellenesen vibrál a fűnyíró.	Lelazult a vágópenge.	Húzza meg a pengét.
	A vágópenge kiegyensúlyozatlan.	Egyensúlyozza ki a pengét.

16. JÓTÁLLÁS

A termékre a törvényi előírásoknak megfelelően 12 hónapos jótállás vonatkozik, az első felhasználó vásárlásának napjától kezdődően.

A jótállás vonatkozik valamennyi anyag- illetve gyártási hibára, azonban nem terjed ki az olyan alkatrészek normál elhasználódására és kopására, mint csapágyak, szénkefék, kábelek, dugaszok, vagy olyan tartozékokra, mint fűrók, fűrófejek, fűrészelek, stb.; a nem rendeltetésszerű használatból eredő sérülésekre vagy

hibákra, balesetekre vagy változásokra, továbbá a szállítás költségeire sem.

Fenntartjuk a jogot bármely igény elutasítására, ha a vásárlás nem igazolható vagy amikor nyilvánvaló, hogy a termék nem tartották megfelelően karban (tiszta szellőzőnyílások, szénkefék rendszeres szervize). Vásárlási blokkját meg kell őriznie a vásárlás dátumának igazolására.

Az elfogadhatóan tiszta állapotban lévő szerszámot szétszerelés nélkül kell visszaküldeni a kereskedőhöz,

eredeti burkolatában, mellékelve hozzá a vásárlást igazoló blokkját.

17. KÖRNYEZET

Ha a gép elérte élettartama végét, ne kezelje háztartási hulladékként, selejtezze környezetbarát módon.

18. EK MEGFELELŐSÉGI NYILATKOZAT

(Csak európai országokra vonatkozik)

Mi, a Makita Corporation mint a termék felelős gyártója kijelentjük, hogy az itt megnevezett Makita gép(ek):

Gép megnevezése: Benzinmotoros fűnyíró

Típusz./Típus: PLM5120, PLM5121

Műszaki adatok: Lásd: „4. MŰSZAKI ADATOK”

sorozatgyártásban készül, és

megfelel az alább felsorolt európai irányelvek

előírásainak:

2004/108/EK, 2006/42/EK,

2000/14/EK és 2005/88/EK

és gyártása a következő szabványoknak valamint szabványosított dokumentumoknak megfelelően történik:

EN ISO 14982, EN836

A műszaki dokumentáció Európában a következő

hivatalos képviselőinknél található:

Makita International Europe Ltd.

Michigan Drive, Tongwell,

Milton Keynes, Bucks MK15 8JD, Anglia

A 2000/14/EK irányelv által előírt megfelelőségi auditálási eljárás az V. Melléklet szerint történt.

Tanúsító testület:

TÜV SÜD Industrie Service GmbH

Westendstraße 199, 80686 München, Németország

Azonosítószám: 0036

Típus: PLM5120

Mért hangteljesítményszint: 92,3 dB (A)

Garantált hangteljesítményszint: 98 dB (A)

Típus: PLM5121

Mért hangteljesítményszint: 92,4 dB (A)

Garantált hangteljesítményszint: 98 dB (A)

30.11.2011



Tomoyasu Kato

Igazgató

Makita Corporation

3-11-8, Sumiyoshi-cho,

Anjo, Aichi, JAPAN

Vysvetlenie všeobecného pohľadu

- | | | |
|---------------------------------------|-----------------------------|-----------------------|
| 1. Rukoväť s ovládaním brzdy | 7. Káblová svorka | 14. Rukoväť štartéra |
| 2. Horná rukoväť | 8. Páčka nastavenia výšky | 15. Skrutka |
| 3. Rukoväť ovládania vlastného pohonu | 9. Plošina | 16. Podložka |
| 4. Páčka sytiča | 10. Bočná klapka | 17. Žiarovka štartéra |
| 5. Vodiaci prvok lanka | 11. Zapaľovacia sviečka | 18. Skrutka |
| 6. Poistný otočný gombík | 12. Uzáver palivovej nádrže | |
| | 13. Uzáver olejovej nádrže | |

**VÝSTRAHA:**

Kvôli vlastnej bezpečnosti si prečítajte tento návod skôr, ako sa pokúsite prevádzkovať svoju novú jednotku. Opomenutie dodržiavať pokyny môže mať za následok vážne osobné poranenia. Venujte určitý čas a oboznámte sa pred každým použitím s kosačkou.



Upozornenie: Motor je horúci.

1. SYMBOLY VYZNAČENÉ NA VÝROBKU

Prečítajte si návod na obsluhu.



Zabráňte prístupu okolostojacich.



Viac pozornosti venujte rukám a nohám obsluhy, aby ste predišli poraneniam.



Palivo je horľavé; zabráňte prístupu ohňa. Palivo nepridávajte, keď motor beží.



Jedovaté výpary; neprevádzkujte v interiéri.



Počas kosenia používajte okuliare a ochranu uší s cieľom chrániť samotnú obsluhu.



Počas vykonávania opráv demontujte zapaľovaciu sviečku a následne vykonajte opravu podľa návodu na obsluhu.

2. VŠEOBECNÉ BEZPEČNOSTNÉ PRAVIDLÁ

VÝSTRAHA: Pri používaní benzínového náradia je nutné vždy dodržiavať základné bezpečnostné opatrenia s cieľom znížiť riziko vážnych osobných poranení a/alebo poškodenia jednotky. Všetky tieto pokyny si prečítajte pred prevádzkovaním tejto jednotky a tieto pokyny uschovajte pre možnú potrebu v budúcnosti.



VÝSTRAHA: Toto strojné zariadenie počas svojej prevádzky produkuje elektromagnetické pole. Toto pole môže v niektorých prípadoch ovplyvňovať činnosť aktívnych alebo pasívnych zdravotných implantátov. Aby sa znížilo riziko vážnych alebo smrteľných úrazov, odporúčame osobám, ktoré používajú zdravotné implantáty, aby sa pred prevádzkovaním tohto strojného zariadenia poradili so svojím lekárom alebo s výrobcom zdravotného implantátu.

Zaškolenie

- Tieto pokyny si dôkladne prečítajte. Oboznámte sa s ovládacími a správnym používaním zariadenia.
- Nikdy nedovoľte, aby deti alebo osoby, ktoré neboli oboznámené s týmito pokynmi používali kosačku. Miestne nariadenia môžu obmedzovať vek obsluhy.
- Nikdy nekoste, pokiaľ stojate v blízkosti osoby, hlavne deti, alebo zvieratá.
- Berte do úvahy, že obsluha alebo používateľ je zodpovedný za nehody alebo riziká vzniknulé vo vzťahu k ostatným osobám alebo k ich majetku.

Príprava

- Počas kosenia vždy používajte pevnú obuv a dlhé nohavice. Zariadenie neobsluhujte, pokiaľ ste bosí alebo máte sandále.
- Dôkladne skontrolujte miesto používania zariadenia a odstráňte všetky predmety, ktoré by mohli byť strojom odhodnené.
- VÝSTRAHA – benzín je veľmi horľavý.
 - Palivo skladujte v kontajneroch špeciálne navrhnutých na tento účel.

- Palivo doplňajte v exteriéri a počas dopĺňania paliva nefajčite.
- Palivo doplňajte pred naštartovaním motora. Nikdy nesaťujte uzáver palivovej nádrže ani nepridávajte benzín pokiaľ motor beží, alebo pokiaľ je motor horúci.
- Pokiaľ dôjde k rozliatiu benzínu, nepokúšajte sa naštartovať motor, ale stroj preneste do dostatočnej vzdialenosti od miesta rozliatia a zabráňte vzniku zdroja zapálenia, a to až dokiaľ sa benzínové výpary nerozptýlia.
- Uzáver palivovej nádrže a nádoby bezpečne nasadte naspäť.
- Vymeňte chybné tlmiče.
- Pred používaním vždy vizuálne skontrolujte a presvedčte sa, že čepele, skrutky čepeľí a montážna zostava rezného náradia nie sú opotrebované alebo poškodené. Aby ste zachovali vyváženú, vymieňajte naraz celú sadu opotrebovaných alebo poškodených čepeľí a skrutiek.

Prevádzka

- Motor neprevádzkujte v uzavretom priestore, kde môže dôjsť k nahromadeniu nebezpečných výparov oxidu uhľohatého.
- Koste iba pri dennom svetle alebo pri dobrom umelom osvetlení.
- Pokiaľ je to možné, vyhňte sa prevádzkovanému zariadeniu v mokrej trávě.
- Na svahoch vždy zaujmite stabilný postoj.
- Kráčajte a nikdy nebežte.
- Pokiaľ ide o kolesové rotačné stroje, koste pozdĺž čela svahov a nikdy nie nahor a nadol.
- Pri zmene smeru na svahoch dávajte maximálny pozor.
- Nekoste nadmerne strmé svahy.
- Pri pohybe smerom dozadu alebo pri fahani kosačky k sebe dávajte maximálny pozor.
- Čepeľ(e) zastavte pred sklopením kosačky kvôli prenosu cez netravnaté miesta a pred prenášaním kosačky na a z miesta kosenia.
- Kosačku nikdy nepoužívajte, pokiaľ sú poškodené jej chrániče, alebo bez namontovaných bezpečnostných zariadení, napríklad vychyľovačov a/alebo lapačov trávy.
- Nemeňte nastavenia regulátora motora ani maximálne otáčky motora.
- Pred naštartovaním motora vyradte všetky čepele a spojky pohonu.
- Motor naštartujte bezpečne podľa pokynov, pričom nohu majte v dostatočnej vzdialenosti od čepele(i).
- Kosačku nesklápajte pri štartovaní motora.
- Nespúšťajte motor pokiaľ stojíte pred vyprázdňovacím žľabom.
- Ruky ani nohy nestrkajte do blízkosti alebo pod rotujúce časti. Počas celej doby zabezpečte, aby sa vyprázdňovací otvor nezanášal.
- Nikdy pri spustení motora kosačku nezdvíhajte ani neprenášajte.
- Zastavte motor a odpojte drôt zapalovacej sviečky, presvedčte sa, že všetky pohyblivé časti sa úplne zastavili a pokiaľ je kosačka vybavená kľúčikom, kľúčik vyberte:

- pred odstránením zablokovaná alebo čistením zanesenia žľabu.
- pred vykonávaním kontroly, čistenia zanesenia alebo prácou na kosačke.
- po narazení na cudzí predmet. Pred opätovným naštartovaním a prevádzkovaním kosačky skontrolujte kosačku z pohľadu poškodenia a opravte ju.
- ak kosačka začne neštandardne vibrovať (okamžite skontrolujte).
- Zastavte motor a odpojte drôt zapalovacej sviečky, presvedčte sa, že všetky pohyblivé časti sa úplne zastavili a pokiaľ je kosačka vybavená kľúčikom, kľúčik vyberte:
 - vždy, keď kosačku opúšťate.
 - pred doplnením paliva.
- Počas dobehu motora uberte sýtič a ak je motor vybavený s uzatváracím ventilom, v závere kosenia vypnite prívod paliva.

Údržba a skladovanie

- Všetky matice a skrutky majte dotiahnuté, aby ste mali istotu, že zariadenie je v bezpečnom pracovnom stave.
- Zariadenie nikdy neskladujte s benzínom v nádrži vo vnútri budovy, kde sa výpary môžu dostať k otvorenému ohňu alebo iskre.
- Pred uskladnením na akomkoľvek ohradenom priestore nechajte motor vychladnúť.
- Na zníženie rizika vzniku požiaru motor, tlmíč, priestor na batériu a priestor na skladovanie benzínu majte čisté od trávy, listov alebo prílišného množstva maziva.
- Lapač trávy často kontrolujte z pohľadu opotrebovania alebo poškodenia.
- Opotrebované alebo poškodené súčasti z bezpečnostných dôvodov vymeňte.
- Ak musíte vyprázdniť palivovú nádrž, vykonajte to vonku.



VÝSTRAHA: Nedotýkajte sa rotujúcej čepele.



VÝSTRAHA: Palivo doplňajte na dobre vetranom mieste a pri zastavenom motore.

3. POPIS SÚČASTÍ (Obr. 1A a 1B)

Obsahuje

A: Kľúč na zapalovaciu sviečku

B: Vyprázdňovací kanál

4. TECHNICKÉ ÚDAJE

Model	PLM5121	PLM5120
Typ motora	Séria B&S675EX, ReadyStart, 126T	Séria B&S625E, 122T
S vlastným pohonom	Áno	No
Zdvihový objem motora	190 cm ³	190 cm ³
Šírka čepele	510 mm	510 mm
Menovité otáčky	2800 / min.	2800 / min.
Objem palivovej nádrže	1,0 l	1,0 l
Čistá hmotnosť	31,7 kg	28 kg
Nastavenie výšky:	25 – 70 mm, 5 možností nastavenia	
L _{pA} (SPL) v polohe používateľa (k = 3 dB (A))	79,2 dB (A)	78,9 dB (A)
Garantovaná úroveň akustického výkonu L _{wA}	98 dB (A)	98 dB (A)
Vibrácie (k = 1,5 m/s ²)	2,305 m/s ²	2,056 m/s ²

5. MONTÁŽ

5-1 MONTÁŽ SKLÁPACEJ RUKOVÄTI


- Spodné riadičlá pripevnite k hlavnej časti jednotky pomocou poistných otočných gombíkov, ako je to znázornené. (**Obr. 2A, Obr. 2B, Obr. 2C, Obr. 2D**)
- Hornú rukoväť a dolnú rukoväť spojte poistným otočným gombíkom. (**Obr. 2E, Obr. 2F, Obr. 2G**)
- KáblOVú svorku namontujte do vyobrazenej polohy a pripevnite kábel. (**Obr. 2H**)

6. NASTAVENIE VÝŠKY REZU

Pokiaľ chcete páčku uvoľniť z ozubenia, vyviňte na ňu tlak smerom von. Výšku nastavte posunutím páčky dopredu alebo dozadu.

Výšku (čepeľ od zeme) možno nastaviť od 25 mm (1 poloha: najnižšia poloha) do 70 mm (5 poloha: najvyššia poloha), 5 výškových polôh. (**Obr. 3A, Obr. 3B**).

Pred vykonaním zmeny výšky kosenia zastavte kosačku a odpojte drôt zapalovacej sviečky.

 **VÝSTRAHA:** Toto nastavenie vykonávajúte jedine pri zastavenej čepeľi.

7. NASTAVENIE NA SPRÁVNU VÝŠKU (Obr. 4A, Obr. 4B)

- Vytiahnite poistné otočné gombíky, ktoré fixovali spodnú rukoväť, pozrite si **Obr. 4A**.
- Pozrite si **Obr. 4B**, posúvajte spodnú rukoväť nahor a nadol a nastavte správnu výšku. Pre tento typ kosačky si môžete vybrať 3 výšky nastavenia; v polohe 1 je výška najvyššia, v polohe 3 je výška najnižšia.
- Vykonajte nastavenie správnej výšky a následne upevnite spodnú rukoväť poistnými otočnými gombíkmi.



VÝSTRAHA: Ľavá a pravá strana spodnej rukoväti musia byť nastavené na rovnakú výšku.

8. RUKOVÄŤ ŠTARTÉRA (Obr. 5)

Presuňte rukoväť štartéra od motora k vodiacemu prvku lanka.

9. „2 V 1“

9-1 PRESTAVENIE NA KOSENIÉ S BOČNÝM VYPRÁZDŇOVANÍM

- Zdvihnite bočnú klapku pre bočné vyprázdňovanie. (**Obr. 6A**)
- Na podperný kolík bočnej klapky namontujte vodiaci prvok vyprázdňovania pre bočné vyprázdňovanie. (**Obr. 6A, Obr. 6B**)
- Znížte bočnú klapku – klapka spočíva na vyprázdňovacom kanáli. (**Obr. 6C**)



Jedine pokiaľ sú motor a sečné náradie zastavené!

9-2 MULČOVACIA KOSAČKA

Čo je mulčovanie?

Počas mulčovania je tráva odseknutá v rámci jedného pracovného kroku, následne je najemno posekaná a vrátená do trávniká ako prírodné hnojivo.

Tipy pre kosenie s mulčovaním:

- Vykonajte opakovaný rez o max 2 cm pre dosiahnutie 6 cm až 4 cm výšky trávy.
- Použite ostrý rezný nôž.
- Nekoste mokrú trávu.
- Nastavte maximálne otáčky motora.
- Koste pri pohybe pracovným krokom.
- Pravidelne čistite mulčovaci klin, vnútornú stranu skrine a pohyblivú čepeľ.



VÝSTRAHA: Jedine so zastaveným motorom a zastavenou kosačkou.

- Zdvihnite bočnú klapku a demontujte vyprázdňovací kanál. (**Obr. 7A, Obr. 7B**)
 - Bočná klapka pomocou pružiny automaticky zatvára vyprázdňovací otvor na skrini.
 - Bočnú klapku a vyprázdňovací otvor pravidelne čistite od zvyškov trávy a zachytenej špiny.

10. POKYNY NA PREVÁDZKU

10-1 PRED NAŠTARTOVANÍM

Motor prevádzkujte v spojení s benzínom a olejom podľa pokynov uvedených v samostatnom návode na obsluhu motora, ktorý je priložený k vašej kosačke. Pokyny si starostlivo prečítajte.



VÝSTRAHA: Benzín je veľmi horľavý.

Palivo skladujte v kontajneroch špeciálne navrhnutých na tento účel.

Palivo doplňajte iba v exteriéri a pred spustením motora; počas doplňania ani manipulácie s palivom nefajčite.

Uzáver palivovej nádrže neodoberajte a benzín nedolievajte nikdy počas chodu motora alebo keď je motor horúci.

Pokiaľ dôjde k rozliatiu benzínu, nepokúšajte sa naštartovať motor, ale stroj preneste do dostatočnej vzdialenosti od miesta rozliatia a zabráňte vzniku zdroja zapálenia, a to až dokiaľ sa benzínové výpary nerozptýlia. Všetky uzávery palivových nádrží a nádrží na palivo bezpečne nasadte naspäť.

Pred obrátením kosačky s cieľom údržby čepele alebo vypustenia oleja, vypustite z nádrže palivo.



VÝSTRAHA: Palivo nikdy nedoplňajte v interiéri, pri spustení motora alebo dokiaľ ste nenechali motor vychladnúť počas doby aspoň 15 minút od jeho spustenia.

10-2 SPUSTENIE MOTORA A ZARADENIE ČEPELE

- Jednotka je vybavená gumenou pätkou, ktorá sa nachádza nad koncom zapalovacej sviečky. Presvedčte sa, že kovová slučka na konci drôtu zapalovacej sviečky (vo vnútri gumenej pätky) je bezpečne utiahnutá ku kovovému hrotu zapalovacej sviečky.

2.1. Pre PLM5121:

Pri štartovaní studeného alebo teplého motora otočte páčku sýtiča do ktorejkoľvek polohy medzi polohami „☁“ a „☁☁“. Počas prevádzky otočte páčku sýtiča do polohy „☁☁“. (**Obr. 8B**)

2.2. Pre PLM5120:

Pri štartovaní studeného motora stlačte pred naštartovaním motora 3 – 5 krát žiarovku štartéra a páčku sýtiča otočte do polohy „☁☁“. Pri štartovaní horúceho motora a pri prevádzkovaní otočte páčku sýtiča do polohy „☁☁“. (**Obr. 8A, Obr. 8B**)

- Stojac za jednotkou uchopte rukoväť s ovládaním brzdy a držte ju proti hornej rukováti, ako je to znázornené na **Obr. 8C**.

- Uchopte rukoväť štartéra ako je to znázornené na **Obr. 8C** a silno ju potiahnite. Po naštartovaní motora ju pomaly vráťte do skrutyk vodiaceho prvku lanka. Pokiaľ chcete zastaviť motor a čepeľ, uvoľnite rukoväť s ovládaním brzdy. (**Obr. 8D**)



Motor naštartujte bezpečne podľa pokynov, pričom nohu majte v dostatočnej vzdialenosti od čepele.



Kosačku nesklápaajte pri štartovaní motora. Kosačku štartujte na rovnom povrchu bez výskytu vysokej trávy alebo prekážok.



Zabráňte styku rúk a nôh s rotujúcimi súčastami. Nespúšťajte motor, pokiaľ stojíte pred vyprázdňovacím otvorom.

10-3 PRACOVNÉ POSTUPY

Počas prevádzky pevne oboma rukami držte rukoväť s ovládaním brzdy.



POZNÁMKA: Pokiaľ počas prevádzky uvoľníte rukoväť s ovládaním brzdy, dôjde k zastaveniu motora a tým aj prevádzky kosačky.

10-4 ZASTAVENIE MOTORA



UPOZORNENIE: Po vypnutí motora sa bude čepeľ ešte niekoľko sekúnd otáčať.

- Pokiaľ chcete zastaviť motor a čepeľ, uvoľnite rukoväť s ovládaním brzdy.
- Odpojte a uzemnite drôt zapalovacej sviečky, ako je to uvedené v samostatnom návode na obsluhu motora, čím zabránite náhodnému naštartovaniu počas doby, kedy je zariadenie ponechané bez dozoru.

10-5 SPOJENIE PRE AUTOMATICKÝ POHYB

Pre PLM5121

Uchopte rukoväť pre ovládanie vlastného pohonu; kosačka sa automaticky pohne dopredu pri rýchlosti asi 3,6 km/s (**Obr. 9**); pokiaľ uvoľníte rukoväť ovládania vlastného pohonu, kosačka sa zastaví.



UPOZORNENIE: Vaša kosačka je navrhnutá na sekanie trávy na plochách pri obytných budovách, ktorej výška je do 250 mm.

Nepokúšajte sa kosiť nezvyčajne vysokú suchú alebo mokrú trávu (napr. pastviny) alebo kopy suchého lístia. Na plošine kosačky sa môžu usádzať úlomky alebo môže dôjsť ku kontaktu s motorom s dôsledkom možného rizika požiaru.

10-6 AKO DOSIAHNŤ NAJLEPŠIE VÝSLEDKY POČAS KOSENIA

Vyčistite trávnik od úlomkov. Z trávniku odstráňte kamene, triesky, drôty alebo ďalšie cudzie predmety, ktoré by mohli byť kosačkou náhodne odhodene ktorýmkoľvek smerom a ktoré mohli spôsobiť vážne osobné poranenia obsluhy a ostatných, ako aj poškodenie majetku a okolitých objektov. Nekoste mokrá trávu. Na dosiahnutie účinného kosenia nekoste okrávajúcu trávu, pretože má tendenciu priľnúť na spodnú časť plošiny a zabraňovať v správnom kosení kúsok trávy. Koste na dĺžku nie viac ako 1/3 dĺžky trávy. Odporúčaná výška rezu pre kosenie je 1/3 dĺžky trávy. Rýchlosť pohybu po zemi je potrebné nastaviť tak, aby boli odseknuté kúsok rovnomerne roztrúsené do trávniku. Hlavne pre ťažké kosenie hustej trávy môže byť potrebné použiť jednu za najnižších rýchlostí s cieľom dosiahnuť čisté dobré kosenie. Pri kosení vysokej trávy bude potrebné vykonať kosenie trávniku v dvoch fázach, pričom v prípade druhého kosenia dôjde k zníženiu čepele o ďalšiu 1/3 a možno kosiť aj v inom smere ako ste kosili prvýkrát. Mierne prekryvanie pásov kosenia pri každom prechode kosačkou taktiež dopomôže vyčistiť zabudnuté zvyšky z trávniku. Kosačka by mala byť vždy prevádzkovaná pri plne otvorenom sýtiči s cieľom dosiahnuť najlepší rez a umožniť najefektívnejšie kosenie. Vyčistite spodnú stranu plošiny. Po každom použití vyčistite spodnú stranu plošiny kosačky s cieľom zabrániť koseniu trávy, ktorá by zabránila správne mulčovaniu. Kosenie lístia. Prínosom pre váš trávnik môže byť aj kosenie lístia. Pri kosení lístia sa presvedčte, že lístie je suché a neleží na trávniku vo veľmi hrubej vrstve. Pred kosením nečakajte, dokiaľ zo stromov opadne všetko lístie.



VÝSTRAHA: Po narazení na cudzí predmet zastavte motor. Od zapaľovacej sviečky odpojte drôt, dôkladne skontrolujte kosačku z pohľadu poškodenia a poškodenie opravte pred opätovným naštartovaním a prevádzkovaním kosačky. Nadmerné vibrácie kosačky počas prevádzky indikujú poškodenie. Jednotka by mala byť čo najskôr skontrolovaná a opravená.

10-7 PLOŠINA

Spodná strana plošiny kosačky by mala byť vyčistená po každom použití, aby sa zabránilo usadzovaniu zvyškov trávy, lístia, špiny a ďalších materiálov. Pokiaľ umožníte hromadeniu zvyškov, podporíte tak vznik hrdze a korózie a taktiež zabránite správne mulčovaniu. Plošinu môžete vyčistiť sklopením kosačky a oškriabaním dočista pomocou vhodného nástroja (skontrolujte, že ste najprv odpojili drôt zapaľovacej sviečky).

11. POKYNY PRE ÚDRŽBU

ZAPAĽOVACIA SVIEČKA

Používajte jedine originálnu náhradnú sviečku. Na dosiahnutie najlepších výsledkov vymieňajte zapaľovaciu sviečku raz za 100 hodín používania.

12. POKYNY PRE MAZANIE



UPOZORNENIE: PRED VYKONÁVANÍM SERVISU ODPOJTE ZAPAĽOVACIU SVIEČKU.

1. KOLESÁ – všetky guľôčkové ložiská všetkých kolies namažte ľahkým olejom aspoň raz za sezónu.
2. MOTOR – pokyny pre mazanie nájdete v návode na obsluhu motora.
3. OVLÁDANIE ČEPELE – namažte miesta spojení (čapy) na rukoväti ovládania čepele a brzdovom lanku aspoň raz za sezónu ľahkým olejom. Ovládanie čepele musí fungovať voľne v oboch smeroch.

13. ČISTENIE



UPOZORNENIE: Motor neumývajte hadicou. Voda môže poškodiť motor a znečistiť palivový systém.

1. Plošinu kosačky utrite dosucha tkaninou.
2. Hadicou umyte spodnú časť plošiny kosačky naklonením kosačky tak, aby zapaľovacia sviečka bola hore.

13-1 VZDUCHOVÝ ČISTIČ MOTORA



UPOZORNENIE: Nedovoľte, aby špina alebo prach zanesli penový prvok vzduchového filtra. Servis (vyčistenie) prvku vzduchového filtra motora sa musí vykonávať po 25 hodinách štandardného kosenia. Servis penového prvku sa musí vykonávať pravidelne, pokiaľ sa kosačka používa v suchých prašných podmienkach. (Pozrite si NÁVOD NA OBSLUHU MOTORA)

ČISTENIE VZDUCHOVÉHO FILTRA

1. Odskrutkujte skrutku. (Obr. 10A, Obr. 10B)
 2. Demontujte kryt.
 3. Prvok filtra umyte v saponátovej vode.
- NEPOUŽÍVAJTE BENZÍN!**
4. Prvok filtra nechajte vyschnúť na vzduchu.
 5. Na penový filter kvapnite niekoľko kvapiek oleja SAE30 a dôkladne stlačte s cieľom odstrániť prebytočný olej.
 6. Filter nainštalujte.



POZNÁMKA: Filter vymeňte pokiaľ je roztrhnutý, poškodený alebo pokiaľ ho nemožno vyčistiť.

13-2 REZNÁ ČEPEĽ



UPOZORNENIE: Pred prácou na reznej čepeľi odpojte a uzemnite drôt zapaľovacej sviečky s cieľom predísť náhodnému spusteniu motora. Ruky si chráňte používaním hrubých rukavíc alebo handry, ktorou uchopíte čepele. Kosačku prevrátte, ako je to uvedené v samostatnom návode na obsluhu motora. Odskrutkujte šesťhrannú skrutku a podložku pridržiavajúcu čepeľ a adaptér čepele ku kľukovému hriadeľu motora. Z kľukového hriadeľa demontujte čepeľ a adaptér.



VÝSTRAHA: Adaptér čepele pravidelne kontrolujte z pohľadu prasklín, a to hlavne ak narazíte na cudzí predmet. V prípade potreby vymeňte.

Kvôli dosiahnutiu najlepších výsledkov by mala byť čepeľ ostrá. Čepeľ možno opätovne upraviť po jej demontovaní buď brúsením alebo pilníkovaním reznej hrany, a to pri čo najlepšom zachovaní pôvodného skosenia čepele. Je nesmierne dôležité, aby ste každú reznú hranu obrúsili o rovnaké množstvo materiálu, aby ste tak predišli nevyváženosti čepele. Nesprávne vyváženie čepele bude mať za následok nadmerné vibrácie s dôsledkom eventuálneho poškodenia motora a kosačky. Po naostrení čepeľ dôkladne vyvážte. Vyváženie čepele možno skontrolovať jej vyvážením na skrutkovači s okrúhlou tyčkou. Z hrubšej strany odstráňte kov, a to až dokiaľ nebude čepeľ vyvážená.

Pred opätovným namontovaním čepele a adaptéra čepele na jednotku namažte kľukový hriadeľ motora a vnútorný povrch adaptéra čepele ľahkým olejom. Adaptér čepele nainštalujte na kľukový hriadeľ motora. Pozrite si **Obr. 11**. Čepeľ umiestnite tak, aby číslo súčiastky smerovalo od adaptéra. Nad čepeľ uložte podložku a vložte šesťhrannú skrutku. Šesťhrannú skrutku utiahnite na hodnotu krútiaceho momentu uvedenú nižšie.

13-3 MONTÁŽNY KRÚTIACI MOMENT PRE ČEPEĽ

Stredná skrutka na hodnotu 40 Nm – 50 Nm s cieľom zabezpečiť bezpečnú činnosť jednotky. VŠETKY matice a skrutky musia byť pravidelne kontrolované z pohľadu správneho utiahnutia.

Po dlhodobom používaní hlavne v podmienkach piesčitej pôdy dôjde k opotrebovaniu čepele a k strate časti jej pôvodného tvaru. Dôjde z redukovaniu účinného kosenia a čepeľ bude potrebné vymeniť. Vymeňte jedine za výrobné schválenú náhradnú čepeľ. Možné poškodenie v dôsledku stavu nevyváženosti čepele nie je v zodpovednosti výrobcu.

Pri výmene čepele musíte použiť originálny typ vyznačený na čepeľi (MAKITA 263001826) (pokiaľ si chcete objednať čepeľ, spojte sa so svojím miestnym predajcom, alebo zavolajte na našu spoločnosť).



VÝSTRAHA: Nedotýkajte sa rotujúcej čepele.

13-4 MOTOR

Pokyny ohľadne údržby motora nájdete v samostatnom návode na obsluhu motora.

Motorový olej používajte podľa pokynov v samostatnom návode na obsluhu motora dodávanom s vašou jednotkou. Pokyny si dôkladne prečítajte a dodržiavajte ich.

Servis vzduchového čističa v rámci štandardných podmienok vykonávajte podľa samostatného návodu na obsluhu motora.

V prípade veľmi prašných podmienok čistite stále po niekoľkých hodinách. Slabý výkon motora a jeho zaplavenie sú príznakom toho, že by ste mali vykonať servis vzduchového čističa.

Informácie o vykonávaní servisu vzduchového čističa nájdete v samostatnom návode na obsluhu motora, ktorý je súčasťou balenia vašej jednotky.

Zapaľovaciu sviečku by ste mali vyčistiť a jej iskrište opätovne nastaviť raz za sezónu. Vykonať výmenu zapaľovacej sviečky sa odporúča na začiatku každej sezóny kosenia; informácie o správnom type zapaľovacej sviečky a technické špecifikácie o iskrišti nájdete v návode na obsluhu motora.

Motor pravidelne čistite pomocou tkanina alebo kefy. Chladiaci systém (miesto skrine ventilátora) udržiavajte v čistote, aby ste zabezpečili správnu cirkuláciu vzduchu, ktorá je dôležitá pre výkon a životnosť motora. Z oblasti tímiča výfuku odstraňujte trávu, špinu a horľavé úlomky.

14. POKYNY PRE USKLADNENIE (MIMO SEZÓNY)

Pokiaľ chcete pripraviť kosačku na skladovanie, vykonajte nasledujúce kroky.

- Po poslednom kosení v rámci sezóny vyprázdňte nádrž.
 - Palivovú nádrž vyprázdňte pomocou sacieho čerpadla.



UPOZORNENIE: Benzín nevypúšťajte v uzatvorených miestnostiach, v blízkosti otvoreného ohňa a podobne. Nefajčíte! Benzinové výpary môžu spôsobiť výbuch alebo požiar.

- Naštartujte motor a nechajte ho bežať, dokiaľ sa nespotrebuje všetok benzín a nezastaví sa motor.
 - Zapaľovaciu sviečku demontujte. Pomocou plechovky na olej nalejte do spaľovacej komory asi 20 ml oleja. Pohybovaním štartérom v spaľovacej komore rovnomerne naneste olej. Namontujte zapaľovaciu sviečku.
- Kosačku dôkladne vyčistite a namažte, ako je to popísané v časti „Mazanie“.
 - Abyste predišli korózii, sečné náradie mierne namažte.
 - Kosačku uskladnite na suchom a pred mrazom chránenom mieste mimo dosahu neoprávnených osôb.



UPOZORNENIE: Pre uskladnením kosačky musí motor úplne vychladnúť.



POZNÁMKA:

- Pri skladovaní akéhokoľvek elektrického náradia v nevetranom sklade alebo v sklade na materiál je potrebné pozornosť venovať ochrane náradia proti hrdzi. Pomocou ľahkého oleja alebo silikónu namažte zariadenie, hlavne káble a pohyblivé súčasti.
- Dávajte pozor, aby ste neohli alebo neskrútili káble.
- Pokiaľ dôjde k odpojeniu lanka štartéra od vodiaceho prvku lanka na rukováti, odpojte a uzemnite drôt zapaľovacej sviečky, stlačte rukoväť ovládania čepele a pomaly vytiahnite z motora lanko štartéra. Lanko štartéra zasuňte do skrutky vodiaceho prvku lanka na rukováti.

Preprava

Motor vypnite. Pri tlačení kosačky cez prekážku dávajte pozor, aby nedošlo k ohnuti alebo poškodeniu sečného náradia.

15. RIEŠENIE PROBLÉMOV

PROBLÉM	MOŽNÁ PRÍČINA	NÁPRAVA
Motor nenašartuje.	Škrtiaca klapka nie je v správnej polohe pre aktuálne pretrvávajúce podmienky.	Posuňte škrtiacu klapku do správnej polohy.
	Palivová nádrž je prázdna.	Palivovú nádrž naplňte palivom. Pozrite si NÁVOD NA OBSLUHU MOTORA.
	Prvok vzduchového čističa je špinavý.	Prvok vzduchového čističa vyčistite. Pozrite si NÁVOD NA OBSLUHU MOTORA.
	Zapaľovacia sviečka je uvoľnená.	Zapaľovaciu sviečku utiahnite na hodnotu krútiaceho momentu 25 – 30 Nm.
	Drôt zapaľovacej sviečky je uvoľnený alebo odpojený od sviečky.	Drôt zapaľovacej sviečky nainštalujte na zapaľovaciu sviečku.
	Iskrište zapaľovacej sviečky nie je správne nastavené.	Nastavte iskrište tak, aby štrbina medzi elektródami bola 0,7 až 0,8 mm.
	Zapaľovacia sviečka je chybná.	Nainštalujte novú sviečku so správne nastaveným iskrištom. Pozrite si NÁVOD NA OBSLUHU MOTORA.
	Karburátor je zaplavený palivom.	Demontujte prvok vzduchového čističa a ťahajte nepretržite lanko štartéra, dokiaľ sa karburátor sám nevyčistí; následne nainštalujte prvok vzduchového čističa.
Chybný modul zapaľovania.	Spojte sa so servisným zástupcom.	
Je ťažké naštartovať motor, alebo motor stráca výkon.	Špina, voda alebo uschnutá palivová nádrž.	Palivovú nádrž vypusťte a vyčistite. Nádrž naplňte čistým, čerstvým palivom.
	Vetrací otvor na uzávere palivovej nádrže je upchaný.	Vyčistite alebo vymeňte uzáver palivovej nádrže.
	Prvok vzduchového čističa je špinavý.	Prvok vzduchového čističa vyčistite.
Motor pracuje nepravidelne.	Zapaľovacia sviečka je chybná.	Nainštalujte novú sviečku so správne nastaveným iskrištom. Pozrite si NÁVOD NA OBSLUHU MOTORA.
	Iskrište zapaľovacej sviečky nie je správne nastavené.	Nastavte iskrište tak, aby štrbina medzi elektródami bola 0,7 až 0,8 mm.
	Prvok vzduchového čističa je špinavý.	Prvok vzduchového čističa vyčistite. Pozrite si NÁVOD NA OBSLUHU MOTORA.
Voľnobeh motora je slabý.	Prvok vzduchového čističa je špinavý.	Prvok vzduchového čističa vyčistite. Pozrite si NÁVOD NA OBSLUHU MOTORA.
	Vetracie štrbiny na plášti motora sú zablokované.	Z vývrtov odstráňte úlomky.
	Chladiace rebrá a vzduchové prechody pod skriňou ventilátora motora sú zablokované.	Z chladiacich rebier a vzduchových prechodov odstráňte úlomky.
Motor pri vysokých otáčkach vynecháva.	Štrbina medzi elektródami zapaľovacej sviečky je veľmi malá.	Nastavte iskrište tak, aby štrbina medzi elektródami bola 0,7 až 0,8 mm.
Motor sa prehrieva.	Tok chladiaceho vzduchu je obmedzený.	Odstráňte všetky úlomky z otvorov v plášti, skrine ventilátora a vzduchových prechodov.
	Nesprávna zapaľovacia sviečka.	Na motor nainštalujte zapaľovaciu sviečku RJ19LMC a chladiace rebrá.
Kosačka neštandardne vibruje.	Rezná zostava je uvoľnená.	Utiahnite čepeľ.
	Rezná zostava je nevyvážená.	Čepeľ vyvážite.

16. ZÁRUKA

Na tento výrobok sa vzťahuje 12-mesačná záruka v zmysle zákonných nariadení, pričom platnosť začína plnúť dňom zakúpenia prvým používateľom.

Táto záruka sa vzťahuje na všetky materiálové a výrobné chyby; nevzťahuje sa na chyby v dôsledku štandardného opotrebovania a znehodnotenia dielov, ako sú ložiská, kefy, káble, zástrčky alebo príslušenstvo, ako sú nástavce, vŕtacie nástavce, pilové čepele a pod., na poškodenie alebo chyby v dôsledku nesprávneho používania, nehôd alebo úprava a nevzťahuje sa ani na náklady na prepravu.

Vyhradzujeme si právo odmietnuť každú reklamáciu, kde kúpu nemožno overiť, alebo kde je zrejmé, že v prípade výrobku sa nevykonávala správna údržba. (Čistá vetracie štrbiny a pravidelné vykonávanie servisu uhlíkových kefiiek.)

Ak doklad o dátume zakúpenia je nutné ponechať si príjmový doklad.

Vaše nerozmontované náradie je nutné doručiť predajcovi v prijateľnom čistom stave, v jeho pôvodnom lisovanom obale (ak sa v prípade jednotky používa), spolu s dokladom o kúpe.

Model: PLM5120

Meraná úroveň akustického výkonu: 92,3 dB (A)

Garantovaná úroveň akustického výkonu: 98 dB (A)

Model: PLM5121

Meraná úroveň akustického výkonu: 92,4 dB (A)

Garantovaná úroveň akustického výkonu: 98 dB (A)

30.11.2011



Tomoyasu Kato

Riaditeľ

Makita Corporation

3-11-8, Sumiyoshi-cho,

Anjo, Aichi, JAPAN

17. OCHRANA ŽIVOTNÉHO PROSTREDIA

Pokiaľ chcete po dlhodobom používaní stroja stroj vymeniť za iný, nevyhadzujte ho do domového odpadu, ale ho zneškodnite environmentálne bezpečným spôsobom.

18. VYHLÁSENIE O ZHODE SO SMERNICAMI EURÓPSKEHO SPOLOČENSTVA

(Len pre krajiny Európy)

Naša spoločnosť Makita, ako zodpovedný výrobca vyhlasuje, že nasledujúce strojné zariadenie(a) značky Makita:

Označenie zariadenia: Benzínová kosačka

Č. modelu / typ: PLM5120, PLM5121

Technické špecifikácie: Pozrite si „4. TECHNICKÉ

ÚDAJE“

predstavuje výrobok sériovej výroby

a vyhovuje nasledujúcim európskym smerniciam:

2004/108/ES, 2006/42/ES,

2000/14/ES a 2005/88/ES

a je vyrobené podľa nasledujúcich noriem alebo

standardizovaných dokumentov:

EN ISO 14982, EN836

Technická dokumentácia sa nachádza u našich

autorizovaných zástupcov v Európe, ktorými sú:

Makita International Europe Ltd.

Michigan Drive, Tongwell,

Milton Keynes, Bucks MK15 8JD, Anglicko

Postup posúdenia zhody, ako vyžaduje smernica 2000/14/ES bol zrealizovaný podľa Prílohy V.

Oboznamovaný orgán:

TÜV SÜD Industrie Service GmbH

Westendstraße 199, 80686 München, Nemecko

Identifikačné číslo: 0036

Vysvětlení k celkovému pohledu

- | | | |
|-----------------------------|---------------------------|--------------------------|
| 1. Držadlo ovládání brzdy | 7. Přichytka kabelu | 13. Víčko olejové nádrže |
| 2. Horní držadlo | 8. Páčka nastavení výšky | 14. Rukojeť startéru |
| 3. Držadlo ovládání pojezdu | 9. Kryt | 15. Šroub |
| 4. Páčka plynu | 10. Postranní záklopka | 16. Podložka |
| 5. Vodítko lanka | 11. Zapalovací svíčka | 17. Nastříkovač |
| 6. Pojistný knoflík | 12. Víčko palivové nádrže | 18. Šroub |



VAROVÁNÍ:

Před uvedením nového zařízení do provozu si v zájmu vlastní bezpečnosti nejprve přečtěte tuto příručku. Nedodržení pokynů může vést k vážnému zranění. Před každým použitím se krátce seznámte s ovládáním sekačky.

1. SYMBOLY VYZNAČENÉ NA VÝROBKU



Přečtěte si uživatelskou příručku.



Nepracujte v blízkosti přihlízejících osob.



Obsluha musí dávat pozor na ruce a nohy, aby nedošlo ke zranění.



Palivo je hořlavé, nepřibližujte se k otevřenému ohni. Palivo nenalévejte do spuštěné sekačky.



Benzínové výpary jsou toxické – nepracujte uvnitř budov.



Při sekání používejte brýle a ochranu sluchu.



Při opravě vyjměte zapalovací svíčku a při opravě postupujte podle návodu k o obsluze.



Upozornění: Motor je horký.

2. VŠEOBECNÁ BEZPEČNOSTNÍ PRAVIDLA



VAROVÁNÍ: Při práci s zařízením poháněným spalovacím motorem je vždy třeba dodržovat základní bezpečnostní opatření (včetně níže uvedených). Zamezte tak nebezpečí vážného zranění či poškození zařízení. Před prací se zařízením si přečtěte veškeré pokyny a uchovejte je pro pozdější využití.



VAROVÁNÍ: Při provozu tohoto zařízení vzniká elektromagnetické pole. Toto pole může za určitých okolností rušit činnost aktivních či pasivních lékařských implantátů. Osobám s lékařskými implantáty proto v zájmu omezení nebezpečí vážného poškození zdraví nebo i smrtelného úrazu doporučujeme, aby se před používáním tohoto zařízení poradily s lékařem nebo výrobcem příslušného implantátu.

Příprava

- Pečlivě si přečtěte pokyny. Obeznamte se s ovládacími prvky a správným používáním zařízení.
- Nikdy nedovoďte, aby sekačku obsluhovaly děti nebo osoby neobeznámené s těmito pokyny. Věk obsluhy může být omezen místními předpisy.
- Nikdy nesekejte v blízkosti osob, zvláště pak dětí a domácích zvířat.
- Pamatujte, že za nehody nebo vystavení nebezpečí jiných osob a jejich majetku odpovídá obsluha či uživatel.

Příprava

- Při sekání vždy noste pevnou obuv a dlouhé kalhoty. Se zařízením nepracujte naboso ani v otevřených sandálech.
- Řádně prohlédněte místo, kde budete se zařízením pracovat a odstraňte veškeré předměty, jež mohou být sekačkou odmrštěny.
- **VAROVÁNÍ** – benzín je vysoce hořlavý.
 - Palivo skladujte v nádobách speciálně navržených pro tento účel.
 - Palivo doplňujte pouze venku a při této činnosti nekuřte.

- Palivo doplňujte před spuštěním motoru. Jestliže je sekačka spuštěná nebo pokud je motor horký, nikdy nesnímejte víčko palivové nádrže ani nedoplňujte palivo.
- Při rozliti benzínu se nepokoušejte nastartovat motor, ale přesuňte zařízení z místa politého benzinem a před odpařením paliva dejte pozor, abyste nezpůsobili jeho vznícení.
- Pevně zašroubujte víčko nádrže i víčko nádoby s palivem.
- Pokud je vadný tlumič, vyměňte jej.
- Před prací vždy vizuálně zkontrolujte, zda není opotřebený či poškozený sekací nůž, šrouby nože a sekací sestava. Opotřebený či poškozený nůž se šrouby vyměňujte v celé sadě, abyste zachovali vyváženost.

Provoz

- Nespouštějte motor v omezených prostorách, kde se mohou shromažďovat nebezpečné zplodiny oxidu uhelnatého.
- Sekejte pouze za denního světla nebo při dobrém umělém osvětlení.
- Se zařízením nepracujte pokud možno v mokrém trávě.
- Při práci ve svahu vždy dávejte pozor, kam šlapete.
- Kráčejte – nikdy neběhejte.
- S kolovými sekačkami pojíždějte při sekání po vrstevnicích svahu, nikdy nahoru a dolů.
- Při změně směru ve svahu buďte mimořádně opatrní.
- Nesekejte v příliš strmých svazích.
- Buďte mimořádně opatrní při otáčení nebo tahání sekačky směrem k sobě.
- Při nutnosti naklonění sekačky kvůli transportu s přeježděním jiných než travnatých ploch a při transportu sekačky na pracoviště a z pracoviště vypněte motor pohánějící nůž (nože).
- Nikdy nepracujte se sekačkou s vadnými kryty nebo se sejmутým bezpečnostním zařízením, například bez krytu vyhazovacího kanálu nebo bez sběracího koše.
- Neměňte nastavení regulátoru motoru a motor nepřetěžujte vysokými otáčkami.
- Před spuštěním motoru vypněte všechny spojky nožů a pohonu.
- Motor startujte opatrně podle pokynů a s nohama v dostatečné vzdálenosti od nože (nožů).
- Při spouštění motoru sekačku nenaklápějte.
- Motor nespouštějte, jestliže stojíte před vyhazovacím kanálem.
- Do blízkosti nebo pod rotující díly nestrkejte ruce ani nohy. Vždy se zdržujte mimo dosah otvoru pro boční výhoz.
- Pokud je motor v chodu, sekačku nikdy neberte do rukou a nepřeházejte.
- V následujících situacích vypněte motor, odpojte kabel zapalovací svíčky, ujistěte se, zda se všechny pohyblivé díly zcela zastavily a u modelů vybavených klíčem vyjměte klíč:
 - před uvolňováním zablokování nebo při uvolňování ucpaného vyhazovacího kanálu.
 - před kontrolou, čištěním nebo pracemi na sekačce.
 - po odmrštění cizorodého předmětu – sekačku zkontrolujte, zda není poškozená, a před opětovným

- spuštěním a obnovení práce proveďte případnou opravu.
- jestliže sekačka začne neobvykle vibrovat (provedte okamžitou kontrolu).
- V následujících situacích vypněte motor, odpojte kabel zapalovací svíčky, ujistěte se, zda se všechny pohyblivé díly zcela zastavily a u modelů vybavených klíčem vyjměte klíč:
 - kdykoli se od sekačky vzdálíte.
 - před doplňováním paliva.
- Při vypínání motoru uberte plyn a jestliže je motor vybaven uzavíracím ventilem, uzavřete po skončení sekání přívod paliva.

Údržba a skladování

- Všechny matice, šrouby a vruty udržujte dotažené – zajistěte tak bezpečnou provozuschopnost zařízení.
- Zařízení s benzinem v nádrži nikdy neukládejte v budovách, kde se mohou výpary dostat do kontaktu s otevřeným ohněm či jiskrami.
- Při ukládání v uzavřených prostorách nechte nejprve motor vychladnout.
- V rámci omezení nebezpečí vzniku požáru udržujte motor, tlumič, prostor akumulátoru a místo skladování benzínu čisté a beze zbytků trávy, listů či nadbytečného maziva.
- Často kontrolujte sběrací koš, zda není opotřebený či poškozený.
- V rámci zajištění bezpečnosti poškozené díly vyměňte.
- V případě nutnosti vypuštění palivové nádrže pracujte venku.



VAROVÁNÍ: Nedotýkejte se rotujícího nože.



VAROVÁNÍ: Palivo doplňujte v dobře větraném prostoru a s vypnutým motorem.

3. POPIS SOUČÁSTÍ (Obr. 1A a 1B)

Další součásti

A: Klíč na zapalovací svíčku

B: Vyhazovací kanál

4. TECHNICKÉ ÚDAJE

Model	PLM5121	PLM5120
Typ motoru	Řada B&S675EX, ReadyStart, 126T	Řada B&S625E, 122T
S pojezdem	Ano	Ne
Zdvihový objem motoru	190 cm ³	190 cm ³
Délka nože	510 mm	510 mm
Jmenovité otáčky	2 800/min	2 800/min
Objem palivové nádrže	1 l	1 l
Čistá hmotnost	31,7 kg	28 kg
Výškové nastavení:	25–70 mm, 5 nastavení	
L _{pA} (SPL) v místě obsluhy (k = 3 dB [A])	79,2 dB (A)	78,9 dB (A)
Zaručená hladina akustického výkonu L _{WA}	98 dB (A)	98 dB (A)
Vibrace (k = 1,5 m/s ²)	2,305 m/s ²	2,056 m/s ²

5. MONTÁŽ

5-1 MONTÁŽ SKLÁPĚČÍHO DRŽADLA

- Dolní část držadla upevníte pojistnými knoflíky k plášti jednotky tak, jak je znázorněno (**Obr. 2A, Obr. 2B, Obr. 2C, Obr. 2D**).
- Horní a dolní část držadla spojte pojistným knoflíkem (**Obr. 2E, Obr. 2F, Obr. 2G**).
- Připevněte příchytku kabelu v zobrazené poloze a upevněte kabel (**Obr. 2H**).

6. SEŘÍZENÍ VÝŠKY POKOSU

Zatlačením směrem ven uvolněte páčku ze zářezu. Přesunutím páčky směrem vpřed nebo zpět nastavte výšku.

Výšku (nože od země) lze nastavit do 5 výšek: od 25 mm (1. poloha: nejnižší poloha) do 70 mm (5. poloha: nejvyšší poloha) (**Obr. 3A, Obr. 3B**).

Před změnou výšky pokosu vypněte sekačku a odpojte kabel zapalovací svíčky.



VAROVÁNÍ: Toto nastavení provádějte pouze pokud nůž není v pohybu.

7. NASTAVENÍ SPRÁVNÉ VÝŠKY (Obr. 4A, Obr. 4B)

- Odšroubujte pojistné knoflíky přidržující dolní část držadla, viz **Obr. 4A**.
- Podle **Obr. 4B** nastavte přesunutím dolní části držadla nahoru či dolů správnou výšku.
U tohoto typu sekačky jsou k dispozici 3 nastavení výšky. V poloze 1 je výška maximální a v poloze 3 minimální.
- Po nastavení správné výšky upevněte dolní část držadla pojistnými knoflíky.



VAROVÁNÍ: Levá a pravá strana dolní části držadla musí být nastaveny ve stejné výšce.

8. RUKOJEŤ STARTÉRU (Obr. 5)

Rukojeť startéru přesuňte od motoru k voditku lanka.

9. „2 V 1“

9-1 PŘENASTAVENÍ K SEKÁNÍ S BOČNÍM VÝHOZEM

- Zvedněte postranní záklopku pro boční výhoz (**Obr. 6A**).
- Upevněte nástavec pro boční výhoz na čep postranní záklopky (**Obr. 6A, Obr. 6B**).
- Postranní záklopku spusťte dolů – záklopka leží na vyhovovacím kanálu (**Obr. 6C**).



Pracujte pouze s motorem a sekačím nožem v nečinnosti!

9-2 MULČOVACÍ SEKAČKA

Co je mulčování?

Při mulčování se tráva nejprve usekne a pak se po jemném rozsekání vrací na trávník jako přírodní hnojivo. Rady k mulčovacímu sekání:

- Pravidelně sesekávejte max. 2 cm s ponecháním trávy vysoké 6 až 4 cm.
- Používejte ostrý sekačí nůž.
- Nesekejte mokrou trávu
- Nastavte max. otáčky motoru
- Sekajte pouze v tempu chůze
- Pravidelně čistěte mulčovací klín, vnitřní stranu pláště sekačky a sekačí nůž



VAROVÁNÍ: Pracujte pouze s vypnutým motorem a sekačím nožem v nečinnosti.

- Zvedněte postranní záklopku a sejmete vyhovovací kanál (**Obr. 7A, Obr. 7B**).
 - Síla pružiny postranní záklopky otvor pro boční výhoz v plášti automaticky uzavře.
 - Postranní záklopku a otvor pro boční výhoz pravidelně čistěte od zbytků trávy a nečistot.

10. NÁVOD K OBSLUZE

10-1 NEŽ ZAČNETE

Podle pokynů v samostatné příručce k motoru dodané k sekačce naplňte nádrže motoru benzinem a olejem. Pečlivě si přečtěte pokyny.



VAROVÁNÍ: Benzin je vysoce hořlavý.

Palivo skladujte v nádobách speciálně navržených pro tento účel.

Benzin doplňujte pouze venku před spuštěním motoru a při doplňování či manipulaci s palivem nekuřte.

Jestliže je sekačka spuštěná nebo pokud je motor horký, nikdy nesnímejte víčko palivové nádrže ani nedoplňujte palivo.

Při rozlité benzinu se nepokoušejte nastartovat motor, ale přesuňte zařízení z místa politého benzinem a před odpařením paliva dejte pozor, abyste nezpůsobili jeho vznícení.

Pevně zašroubujte víčko nádrže i víčko nádoby s palivem. Před sklopením sekačky za účelem údržby nože či vypuštění oleje vyprázdněte palivovou nádrž.



VAROVÁNÍ: Palivovou nádrž nikdy nenaplňujte uvnitř budov, se spuštěným motorem ani před vychladnutím motoru po uplynutí alespoň 15 minut po vypnutí.

10-2 SPUŠTĚNÍ MOTORU A ZAHÁJENÍ SEKÁNÍ

1. Zařízení je vybaveno pryžovou prachovkou přetaženou přes konec zapalovací svíčky. Ujistěte se, zda je kovové očko na konci kabelu zapalovací svíčky (uvnitř pryžové prachovky) pevně nasazeno na kovovém konci zapalovací svíčky.

2.1. Model PLM5121:

Při startování studeného či teplého motoru přepněte páčku plynu do libovolného místa mezi polohu „☁“ a polohu „☁“ (Obr. 8B).

2.2. Model PLM5120:

Při studeném startování stiskněte před nastartováním motoru 3–5krát nastříkovač a otočte páčku plynu do polohy „☁“.

Při startování teplého motoru a za provozu přepněte páčku plynu do polohy „☁“ (Obr. 8A, Obr. 8B).

3. Postavte k zadní straně sekačky, uchopte držadlo ovládání brzdy a přitiskněte jej k hornímu držadlu tak, jak je znázorněno na Obr. 8C.

4. Uchopte rukojeť startéru podle Obr. 8C a rychle za ni zatáhněte. Po nastartování motoru vraťte rukojeť pomalu ke šroubu vodítka lanka. Chcete-li vypnout motor a zastavit nůž, uvolněte držadlo ovládání brzdy (Obr. 8D).



Motor startujte opatrně podle pokynů a s nohama v dostatečné vzdálenosti od nože.



Při spuštění motoru sekačku nenaklápejte. Motor startujte na rovné ploše bez vysoké trávy či překážek.



Nepřibližujte ruce ani nohy k rotujícím dílům. Motor nespouštějte, jestliže stojíte před otvorem vyhazovacího kanálu.

10-3 PRACOVNÍ POSTUPY

Během provozu oběma rukama pevně přidržíte držadlo ovládání brzdy.



POZNÁMKA: Při provozu se po uvolnění držadla ovládání brzdy motor zastaví a sekačka přestane pracovat.

10-4 VYPNUTÍ MOTORU



UPOZORNĚNÍ: Po vypnutí motoru se nůž ještě několik vteřin otáčí.

1. Chcete-li vypnout motor a zastavit nůž, uvolněte držadlo ovládání brzdy.
2. Náhodnému spuštění zařízení bez dozoru zamezíte odpojením a uzemněním kabelu zapalovací svíčky tak, jak je uvedeno v samostatném návodu k obsluze motoru.

10-5 SPOJKA POJEZDU

Model PLM5121

Přitáhněte držadlo ovládání pojezdu a sekačka se automaticky rozjede před rychlostí zhruba 3,6 km/h (Obr. 9). Jestliže držadlo ovládání pojezdu pustíte, pojezd sekačky se zastaví.



UPOZORNĚNÍ: Sekačka je navržena k sekání běžných travníků vysokých maximálně 250 mm. Nepokoušejte se sekat mimořádně vysokou a suchou či mokrou travu (např. pastviny) ani hromady suchého listí. V krytu sekačky se může usazovat drt nebo může dojít ke kontaktu s výfukem motoru, což představuje nebezpečí vzniku požáru.

10-6 JAK DOSÁHNOUT NEJLEPŠÍCH VÝSLEDKŮ PŘI SEKÁNÍ

Vyčistěte travník. Ujistěte se, zda nejsou v trávě kameny, klacky, dráty či jiné cizorodé předměty, jež by mohly být sekačkou nechtěně odmrštěny jakýmkoli směrem a mohly tak způsobit vážné zranění obsluhy či jiných osob, anebo škody na majetku a okolních objektech. Nesekejte mokrou travu. Při efektivním sekání není vhodné sekat mokrou travu, jež má tendenci ulpívat na vnitřní straně krytu, kde zamezuje správnému sekání kousků trávy. Nesekejte více než 1/3 délky trávy. Doporučujeme sekat 1/3 výšky trávy. Rychlost je třeba přizpůsobit tak, aby se posekaná tráva rovnoměrně rozptýlila po travníku. Při zvláště náročném sekání husté trávy může být nutné využít co nejpomalejší rychlost, abyste dosáhli čistého a kvalitního výsledku. Při sekání dlouhé trávy bude

právděpodobně třeba sekat trávník ve dvou fázích se spuštěním nože o další 1/3 délky trávy pro druhý stříh a zřejmě i sekání z jiného směru než v předchozí fázi. Důkladnému vysekání celé plochy trávníku rovněž napomůžete mírným překrytím pásů při každém průchodu. Sekačku je třeba používat vždy s plným plynem, čímž dosáhnete nejlepšího stříhu a docílíte maximální efektivity sekání. Vyčistěte spodní stranu krytu. Po každém použití zabezpečte vyčištění spodní strany krytu sekačky, abyste zamezili hromadění trávy, jež by bránila správnému mulčování. Sekání listí. Pro trávník může být prospěšné i sekání listí. Při sekání listí se ujistěte, zda je listí suché a zda na trávníku neleží v příliš silné vrstvě. Se sekáním nečekejte, až ze stromů opadá všechno listí.



VAROVÁNÍ: Jestliže narazíte na cizorodý předmět, vypněte motor. Odpojte kabel od zapalovací svíčky, sekačku důkladně prohlédněte, zda nedošlo k jejímu poškození a před opětovným spuštěním a uvedením do provozu ji nechte opravit. Přílišné vibrace sekačky za provozu jsou známkou poškození. Zařízení je třeba neprodleně prohlédnout a opravit.

10-7 KRYT

Spodní stranu krytu sekačky je třeba po každém použití vyčistit, aby se zamezilo hromadění kousků trávy, listí, nečistot atd. Nahromaděná drť vyvolává korozi, narušuje povrch a může zamezit správnému mulčování. Kryt lze očistit nakloněním sekačky a oškrábáním nečistot vhodným nástrojem (ujistěte se, zda je odpojen kabel zapalovací svíčky).

11. POKYNY K ÚDRŽBĚ

ZAPALOVACÍ SVÍČKA

Používejte pouze originální náhradní zapalovací svíčky. K dosažení nejlepších výsledků vyměňte zapalovací svíčku po každých 100 hodinách práce.

12. POKYNY K MAZÁNÍ



UPOZORNĚNÍ: PŘED PROVÁDĚNÍM ÚDRŽBY ODPOJTE ZAPALOVACÍ SVÍČKU.

1. KOLA – nejméně jednou za sezónu namažte olejem kuličková ložiska v každém kole.
2. MOTOR – pokyny k mazání naleznete v příručce k motoru.
3. OVLÁDÁNÍ NOŽE – alespoň jednou za sezónu promažte olejem kontaktní body držadla ovládání nože a brzdové lanko. Ovládání nože se musí volně pohybovat oběma směry.

13. ČIŠTĚNÍ



UPOZORNĚNÍ: Na motor nestříkejte hadicí. Voda může poškodit motor nebo znečistit palivový systém.

1. Kryt otírejte suchou tkaninou.

2. Hadici můžete opláchnout spodní stranou rypce nakloněním sekačky tak, aby byla zapalovací svíčka nahore.

13-1 VZDUCHOVÝ FILTR MOTORU



UPOZORNĚNÍ: Nedovolte, aby se pěnová vložka vzduchového filtru ucplala nečistotami či prachem. Vzduchový filtr motoru je třeba vyčistit po 25 hodinách běžného provozu. Pokud sekačku používáte v suchých a prašných podmínkách, je třeba pěnovou vložku pravidelně čistit (viz PŘÍRUČKA K MOTORU).

ČIŠTĚNÍ VZDUCHOVÉHO FILTRU

1. Vyjměte šroub (**Obr. 10A, Obr. 10B**).
2. Sejměte kryt.
3. Filtrační vložku vyperte v mýdlové vodě.
NEPOUŽÍVEJTE BENZIN!
4. Filtrační vložku vysušte.
5. Na pěnový filtr kápněte několik kapek oleje SAE30 a pevným stisknutím odstraňte všechny přebytečný olej.
6. Filtr namontujte zpět.



POZNÁMKA: Filtr vyměňte, pokud je prodřený, opotřebovaný, poškozený nebo pokud jej nelze vyčistit.

13-2 SEKACÍ NŮŽ



UPOZORNĚNÍ: Před prováděním prací na sekacím noži se ujistěte, zda jste odpojili a uzemnili zapalovací svíčku, abyste zamezili náhodnému spuštění motoru. Při kontaktu se sekacím nožem si chraňte ruce silnými rukavicemi nebo použijte hadr. Sekačku nakloňte podle pokynů v samostatné příručce k motoru. Odmontujte šroub se šestihrannou hlavou a podložku přidržující nůž s adaptérem nože na hřídeli motoru. Z hřídele sejměte nůž a adaptér.



VAROVÁNÍ: Adaptér nože pravidelně kontrolujte, zda nemá praskliny – zvláště pokud narazíte na cizorodý předmět. V případě nutnosti jej vyměňte.

K dosažení nejlepších výsledků je zapotřebí ostrého nože. Nůž můžete po vyjmutí naostřit broušením či opilováním ostří s co nejpřesnějším zachováním původního zkosení. Při broušení je mimořádně důležité odebrat z každého ostří stejné množství materiálu, abyste uchovali vyváženost nože. Nesprávně vyvážený nůž bude příliš vibrovat a může případně poškodit motor i sekačku. Po naostření zajistěte pečlivě vyvážení nože. Vyváženost nože můžete zkontrolovat nasazením na kulatý dřík šroubováků. Z těžší strany odeberte materiál, až docílíte rovnoměrného vyvážení.

Před namontováním nože s příslušným adaptérem zpět do jednotky namažte hřídel motoru a nitřní plochu adaptéru nože olejem. Na hřídel motoru namontujte adaptér nože. Viz **Obr. 11**. Nůž umístěte číslem dílu směrem od adaptéru. Na noži vyrovnajte podložku a namontujte šroub se šestihrannou hlavou. Šroub se šestihrannou hlavou dotáhněte níže uvedeným momentem:

13-3 UTAHOVACÍ MOMENT PŘI MONTÁŽI NOŽE

Středový šroub 40–50 Nm, k zajištění bezpečného provozu zařízení. Správné dotažení VĚŠKERÝCH matic a šroubů musí být pravidelně kontrolováno.

Po dlouhodobějším používání, zvláště v podmínkách s prašnou půdou, dojde k opotřebení nože a určité ztrátě původního tvaru. Omezí se efektivita sekání a nůž bude třeba vyměnit. Nůž nahradte pouze schváleným továrním výrobkem. Výrobce nenese odpovědnost za možné škody způsobené nevyvážeností nože.

Při výměně je nutné použít originální díl s označením na noži (MAKITA 263001826). Pokud si chcete nůž objednat, obraťte se na místního prodejce nebo zavolejte do naší společnosti.



VAROVÁNÍ: Nedotýkejte se rotujícího nože.

13-4 MOTOR

Pokyny k údržbě motoru naleznete v samostatné příručce k motoru.

Výměnu motorového oleje provádějte podle pokynů v samostatné příručce k motoru dodané k sekačce. Pokyny si přečtěte a pečlivě podle nich postupujte.

Za normálních podmínek čistěte vzduchový filtr podle pokynů v samostatné příručce k motoru.

V mimořádně prašných podmínkách čistěte filtr vždy po několika hodinách. Slabý výkon a přescovávání motoru obvykle naznačují nutnost provedení údržby vzduchového filtru.

Při čištění vzduchového filtru nahlédněte do samostatné příručky k motoru přibalené k sekačce.

Jednou za sezónu je třeba vyčistit zapalovací svíčku a seřídit mezeru mezi elektrodami. Na začátku sezóny doporučujeme provést výměnu zapalovací svíčky.

Informace o správném typu svíčky a vzdálenosti elektrod naleznete v příručce k motoru.

Motor pravidelně čistěte tkaninou nebo kartáčem.

Chladicí systém (oblast pláště ventilátoru) udržujte v čistotě, abyste zajistili správnou cirkulaci vzduchu, jež je nezbytná ke správnému výkonu a dlouhé životnosti motoru. Z oblasti tlumiče odstraňte všechnu trávu, nečistoty a hořlavou drť.

14. POKYNY KE SKLADOVÁNÍ (MIMO SEZÓNU)

V rámci přípravy sekačky ke skladování je zapotřebí provést následující kroky.

1. Po posledním sekání v sezóně vyprázdněte nádrž.
 - a) Pumpičkou odsajte benzín z nádrže.



UPOZORNĚNÍ: Benzín nevypouštějte v uzavřených prostorách, v blízkosti otevřeného ohně atd. Nekuřte! Benzínové výpary mohou způsobit výbuch či požár.

- b) Spusťte motor a nechte jej běžet, dokud nespotřebuje všechn zbyvající benzín a nezastaví se.
- c) Vyšroubujte zapalovací svíčku. Do spalovací komory nalijte olejničkou přibližně 20 ml oleje.

Zatažením za startér zajistíte rovnoměrné promazání spalovací komory. Zašroubujte zpět zapalovací svíčku.

2. Sekačku pečlivě očistěte a promažte podle popisu v části „Pokyny k mazání“.
3. K zamezení vzniku koroze ošetřete tenkou vrstvou maziva i sekací nůž.
4. Sekačku uskladněte mimo dosah neoprávněných osob na suchém a čistém místě chráněném před mrazem.



UPOZORNĚNÍ: Před uskladněním sekačky musí motor zcela vychladnout.



POZNÁMKA:

- Při uskladňování jakéhokoli typu motorového zařízení v nevětraných skladovacích prostorách je třeba zajistit ošetření zařízení proti korozi. Zařízení namažte olejem či silikonem – zvláště pak lanka a pohyblivé díly.
- Dejte pozor, abyste lanka nezohýbali a nezkroutili.
- Jestliže se lanko startéru vyvlékne z vodička lanka na držadle, odpojte a uzemněte zapalovací svíčku, přitáhněte držadlo ovládání nože a pomalu zatáhněte za startovací lanko směrem od motoru. Startovací lanko proveďte ke šroubu vodička lanka na držadle.

Transport

Vypněte motor. Dejte pozor, abyste při tlačení sekačky přes překážky neohnuli či jinak nepoškodili sekací nůž.

15. ODSTRAŇOVÁNÍ PROBLÉMŮ

PROBLÉM	PRAVDĚPODOBNÁ PŘÍČINA	NÁPRAVA
Motor nestartuje.	Páčka plynu není vzhledem k aktuálním podmínkám ve správné poloze.	Páčku plynu přesuňte do správné polohy.
	Palivová nádrž je prázdná.	Naplňte nádrž palivem: viz PŘÍRUČKA K MOTORU.
	Znečištěná vložka vzduchového filtru.	Vyčistěte vložku vzduchového filtru: viz PŘÍRUČKA K MOTORU.
	Povolená zapalovací svíčka.	Zapalovací svíčku dotáhněte momentem 25–30 Nm.
	Kabel zapalovací svíčky je uvolněný nebo odpojený od svíčky.	Na svíčku nasadte kabel zapalovací svíčky.
	Nesprávná vzdálenost elektrod zapalovací svíčky.	Nastavte vzdálenost elektrod na 0,7 až 0,8 mm.
	Vadná zapalovací svíčka.	Namontujte novou svíčku se správně nastavenou vzdáleností elektrod: viz PŘÍRUČKA K MOTORU.
	Karburátor je přesyčený palivem.	Vyjměte vložku vzduchového filtru, taháním za lanko startéru vyprázdněte karburátor a vložku filtru nasadte zpět.
	Závada modulu zapalování.	Obratě se na zástupce servisu.
Startování motoru je obtížené nebo motor ztrácí výkon.	Nečistota, voda nebo zvětralé palivo v nádrži.	Vypusťte palivo a vyčistěte nádrž. Nádrž naplňte čistým a čerstvým palivem.
	Ucpaný ventilační otvor ve víčku palivové nádrže.	Otvor vyčistěte nebo vyměňte víčko palivové nádrže.
	Znečištěná vložka vzduchového filtru.	Vyčistěte vložku vzduchového filtru.
Motor pracuje nepravdělně.	Vadná zapalovací svíčka.	Namontujte novou svíčku se správně nastavenou vzdáleností elektrod: viz PŘÍRUČKA K MOTORU.
	Nesprávná vzdálenost elektrod zapalovací svíčky.	Nastavte vzdálenost elektrod na 0,7 až 0,8 mm.
	Znečištěná vložka vzduchového filtru.	Vyčistěte vložku vzduchového filtru: viz PŘÍRUČKA K MOTORU.
Chybný volnoběh motoru.	Znečištěná vložka vzduchového filtru.	Vyčistěte vložku vzduchového filtru: viz PŘÍRUČKA K MOTORU.
	Ucpané vzduchové šterbiny v krytu motoru.	Šterbiny vyčistěte od nečistot.
	Ucpaná chladicí žebra a vzduchové kanálky pod pláštěm ventilátoru motoru.	Odstraňte nečistoty z chladicích žebek a vzduchových kanálků.
Motor ve vysokých otáčkách vynechává.	Příliš malá mezera mezi elektrodami zapalovací svíčky.	Nastavte vzdálenost elektrod na 0,7 až 0,8 mm.
Motor se přehřívá.	Omezený průtok chladicího vzduchu.	Odstraňte veškeré nečistoty z drážek v krytu, pláště ventilátoru a vzduchových kanálků.
	Nesprávná zapalovací svíčka.	Do motoru namontujte zapalovací svíčku RJ19LMC a chladicí žebra.
Sekačka nezvykle vibruje.	Uvolněná sekací sestava.	Dotáhněte nůž.
	Nevyvážená sekací sestava.	Vyvažte nůž.

16. ZÁRUKA

Na tento výrobek se v souladu s právními předpisy vztahuje 12 měsíční záruční doba s platností počínající dnem zakoupení prvním uživatelem. Záruka se vztahuje na všechny vady materiálu či vady vzniklé při výrobě. Nevztahuje se na vady vzniklé běžným opotřebením dílů jimiž jsou ložiska, uhlíky, kabely, zástrčky či příslušenství (vrtáky, vrtací korunky, pilové kotouče atp.). Záruka se rovněž nevztahuje na škody či

vady vzniklé nesprávným použitím, v důsledku nehod či zásahů do zařízení a neplatí ani pro přepravní náklady. Vyhrazujeme si právo odmítnout veškeré nároky, kde nelze ověřit nákup nebo je zřejmé, že výrobek nebyl správně udržován (pravidelné čištění ventilačních drážek, pravidelný servis uhlíků elektromotoru). Uschovejte si účtenku nutnou k prokázání data nákupu. Nedemontované nářadí musí být spolu s účtenkou vráceno prodejci v přijatelně čistém stavu a v původním

plastovém přepravním kufru (pokud se k jednotce dodává).

17. OCHRANA ŽIVOTNÍHO PROSTŘEDÍ

Bude-li nutno zařízení po delším používání vyměnit, nevyhazujte jej do domovního odpadu, ale zajistěte jeho bezpečnou ekologickou likvidaci.

18. ES PROHLÁŠENÍ O SHODĚ

(Pouze pro evropské země)

Společnost Makita Corporation jako odpovědný výrobce prohlašuje, že níže uvedené zařízení Makita:

Popis zařízení: Benzinová sekačka na trávu

Č. modelu/typ: PLM5120, PLM5121

Technické údaje: Viz část „4. TECHNICKÉ ÚDAJE“

vychází ze sériové výroby

a vyhovuje následujícím evropským směrnicím:

2004/108/ES, 2006/42/ES,

2000/14/ES a 2005/88/ES

a bylo vyrobeno v souladu s následujícími normami či normativními dokumenty:

EN ISO 14982, EN836

Technická dokumentace je k dispozici u našich autorizovaných zástupců v Evropě:

Makita International Europe Ltd.

Michigan Drive, Tongwell,

Milton Keynes, Bucks MK15 8JD, England

Postup posuzování shody vyžadovaný směrnicí 2000/14/ES byl v souladu s přílohou V.

Notifikovaná organizace:

TÜV SÜD Industrie Service GmbH

Westendstraße 199, 80686 München, Německo

Identifikační číslo: 0036

Model: PLM5120

Naměřená hladina akustického výkonu: 92,3 dB (A)

Zaručená hladina akustického výkonu: 98 dB (A)

Model: PLM5121

Naměřená hladina akustického výkonu: 92,4 dB (A)

Zaručená hladina akustického výkonu: 98 dB (A)

30.11.2011



Tomoyasu Kato

Ředitel

Makita Corporation

3-11-8, Sumiyoshi-cho,

Anjo, Aichi, JAPAN

Makita Corporation

Anjo, Aichi, Japan

www.makita.com

PLM5120-23L-1011

ALA