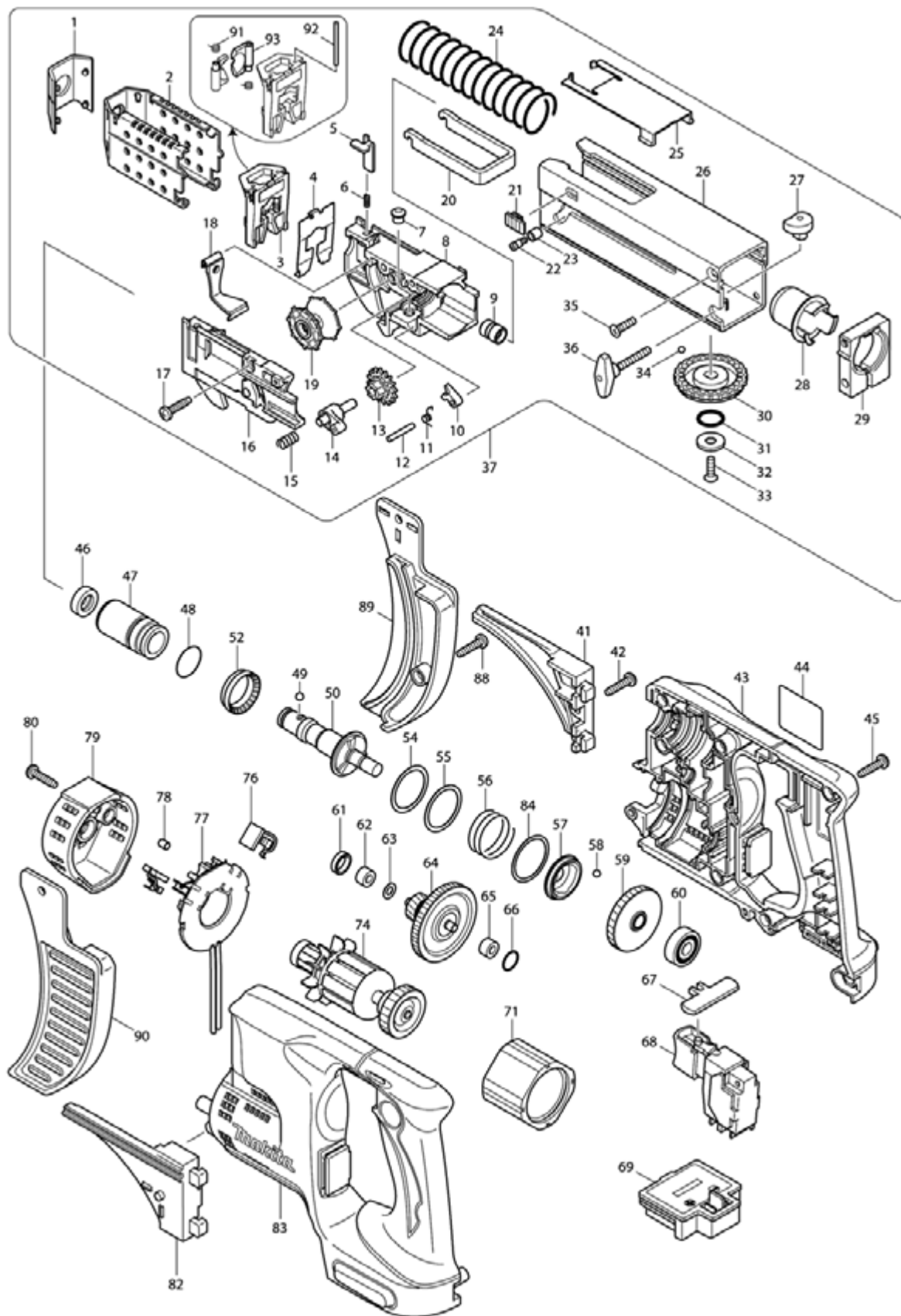


Model No.DFR550 CORDLESS AUTO FEED SCREWDRIVER





Model No.DFR550 CORDLESS AUTO FEED SCREWDRIVER

Item	Parts No.	Description	I/C	Qty	New/Old	Opt. 1	Opt. 2	Note
001	424043-2	CAP		1				
002	345839-7	STOPPER BASE 55		1				
003	140493-0	GUIDE BOX COMPLETE		1				
D10		INC. 4,91,92,93						
004	346269-5	GUARD		1				
005	345837-1	LEVER		2				
006	233211-4	COMPRESSION SPRING 2		2				
007	256451-7	PIN 6		1				
008	450107-6	FEEDER BOX		1	*			
008-1	412963-2	FEEDER BOX	<	1				
009	257685-5	SLEEVE 5		1				
010	310062-3	STOPPER		1				
011	231636-6	TORSION SPRING 4		1				
012	256158-5	PIN 3		1				
013	226344-2	SPUR GEAR 16		1				
014	158374-4	RATCHET ARM COMPLETE		1				
015	233212-2	COMPRESSION SPRING 6		1				
016	158375-2	BOXCOVER COMPLETE		1				
017	265995-6	TAPPING SCREW 4X18		1				
018	162201-9	DUST COVER		1	*			
018-1	162934-6	DUST COVER	>	1				
019	416518-5	WHEEL		1				
020	345838-9	PLATE		1				
021	450111-5	STOPPER		2				
022	265177-0	+SHOULDER FLAT HEAD SCREW M3X5		1				
023	257764-9	SLEEVE 4		1				
024	234031-9	COMPRESSION SPRING 23		1				
025	450114-9	CASING COVER		1				
026	158377-8	CASING 55 COMPLETE		1				
C10	816885-2	INDICATION LABEL		1				
027	310237-4	SHIFTER PIN		1				
028	450110-7	INSULATION SLEEVE		1				
029	318181-9	CLAMPER		1				
030	417056-0	DIAL 42		1				
031	213107-5	O RING 12		1				
032	267201-5	FLAT WASHER 6		1				
033	912117-6	COUNTERSUNK HEAD SCREW M4X12		1				
034	216001-0	STEEL BALL 3.5		1				
035	912117-6	COUNTERSUNK HEAD SCREW M4X12		3				
036	265779-2	THUMB SCREW M4X28		1				
037	195184-8	CASING 55 SET		1				

Please order the parts with part number.

Print Date 26/3/2020

Model No.DFR550 CORDLESS AUTO FEED SCREWDRIVER

Item	Parts No.	Description	I/C	Qty	New/Old	Opt. 1	Opt. 2	Note
D10		INC. 1-36						
041	188309-1	SCREW GUIDE SET		1				
D10		INC. 82						
042	265995-6	TAPPING SCREW 4X18		1				
043	187478-5	HOUSING SET		1				
D10		INC. 83						
044	815R58-2	DFR550 NAME PLATE		1				
045	265995-6	TAPPING SCREW 4X18		9				
046	421467-3	DUST COVER		1				
047	214173-5	PLANE BEARING 14		1				
048	213262-3	O RING 18		1				
049	216001-0	STEEL BALL 3.5		1				
050	324808-1	SPINDLE B		1				
052	421927-5	SLEEVE 20		1				
054	267331-2	FLAT WASHER 25		1				
055	267331-2	FLAT WASHER 25		1				
056	234017-3	COMPRESSION SPRING 25		1				
057	223169-5	CLUTCH CAM C		1				
058	216008-6	STEEL BALL 4		3				
059	226670-9	HELICAL GEAR 48		1				
060	211034-0	BALL BEARING 608		1				
061	165115-1	RUBBER SLEEVE 10		1				
062	214017-9	PLANE BEARING 5		1				
063	253811-4	FLAT WASHER 5		1				
064	154937-4	GEAR COMPLETE 18-44		1				
065	214017-9	PLANE BEARING 5		1				
066	213055-8	O RING 10		1				
067	419304-3	F/R CHANGE LEVER		1				
068	650670-1	SWITCH TG513SBA-2		1				
069	643860-3	TERMINAL		1				
071	638426-2	YOKE UNIT		1				
074	619216-2	ARMATURE		1				
076	194427-5	CARBON BRUSH SET CB-440		1				
077	638433-5	BRUSH HOLDER COMPLETE		1				
C10	231696-8	TORSION SPRING R		1				
C20	231697-6	TORSION SPRING L		1				
078	263032-0	RUBBER PIN 4		2				
079	419307-7	FRONT COVER		1				
080	265995-6	TAPPING SCREW 4X18		2				
082	188309-1	SCREW GUIDE SET		1				
D10		INC. 41						
083	187478-5	HOUSING SET		1				

Please order the parts with part number.

Print Date 26/3/2020

Model No.DFR550 CORDLESS AUTO FEED SCREWDRIVER

Item	Parts No.	Description	I/C	Qty	New/Old	Opt. 1	Opt. 2	Note
D10		INC. 43						
084	267332-0	FLAT WASHER 26		1				
088	265995-6	TAPPING SCREW 4X18		2				
089	188310-6	GUIDE ATTACHMENT SET		1				
D10		INC. 90						
090	188310-6	GUIDE ATTACHMENT SET		1				
D10		INC. 89						
091	233567-5	TORSION SPRING 4		2				
092	268188-4	PIN 2		2				
093	310282-9	GUIDE		2				
094	125809-0	FEEDER BOX ASS'Y		1				
D10		INC. 1-3,5-19,22,23						
A01	281217-6	HOOK		1				
A02	784655-6	+BIT 2-160		3				
A03M	***DC18RC	DC18RC FAST CHARGER		1				
A03Q	***DC18RC	DC18RC FAST CHARGER		1				
A03S	***DC18RC	DC18RC FAST CHARGER		1				
A03T	***DC18RC	DC18RC FAST CHARGER		1				
A04M	194204-5	BATTERY BL1830 SET		2	*			
A04Q	194204-5	BATTERY BL1830 SET		2	*			
A04S	196399-0	BATTERY BL1840 SET		2	*			
A04-1M	194204-5	BATTERY BL1830 SET	O	2	*			
A04-1Q	194204-5	BATTERY BL1830 SET	O	2	*			
A04-1S	196399-0	BATTERY BL1840 SET	O	2	*			
A04-2M	197600-6	BATTERY BL1830B SET	<	2	*			
A04-2Q	197600-6	BATTERY BL1830B SET	<	2	*			
A04-2S	197265-4	BATTERY BL1840B SET	<	2	*			
A04-2T	197280-8	BATTERY BL1850B SET		2	*			
A04-3M	197600-6	BATTERY BL1830B SET	O	2				
A04-3Q	197600-6	BATTERY BL1830B SET	O	2				
A04-3S	197265-4	BATTERY BL1840B SET	O	2				
A04-3T	197280-8	BATTERY BL1850B SET	O	2				
A05M	141352-1	PLASTIC CARRYING CASE COMPLETE		1				
C10	163455-1	LATCH		2				
C20	419360-3	HANDLE		1				
A05Q	142077-0	CONNECTOR P.CASE(TYPE3) COMP.		1				
C10	453974-8	LATCH		4				
A05S	142077-0	CONNECTOR P.CASE(TYPE3) COMP.		1				
C10	453974-8	LATCH		4				
A05T	142077-0	CONNECTOR P.CASE(TYPE3) COMP.		1				

Please order the parts with part number.

Print Date 26/3/2020

Model No.DFR550 CORDLESS AUTO FEED SCREWDRIVER

Item	Parts No.	Description	I/C	Qty	New/Old	Opt. 1	Opt. 2	Note
C10	453974-8	LATCH		4				
A06M	450128-8	BATTERY COVER		1				
A06Q	450128-8	BATTERY COVER		2				
A06S	450128-8	BATTERY COVER		2				
A06T	450128-8	BATTERY COVER		2				
A07Q	837631-0	INNER TRAY		1				
A07S	837631-0	INNER TRAY		1				
A07T	837631-0	INNER TRAY		1				
A08Q	803W96-6	DFR550RFJX PLASTIC CASE LABEL		2				
A08S	804K97-5	DFR550RMJX PLASTIC CASE LABEL		2				
A08T	810P82-8	DFR550RTJX PLASTIC CASE LABEL		2				
A09Q	803W99-0	DFR550RFJX INDICATION LABEL		1				
A09S	804K96-7	DFR550RMJX INDICATION LABEL		1				
A09T	810P81-0	DFR550RTJX INDICATION LABEL		1				
E01	620122-6	CONTROLLER		1				
E02	688172-7	LINE FILTER		2				

Please order the parts with part number.

Print Date 26/3/2020