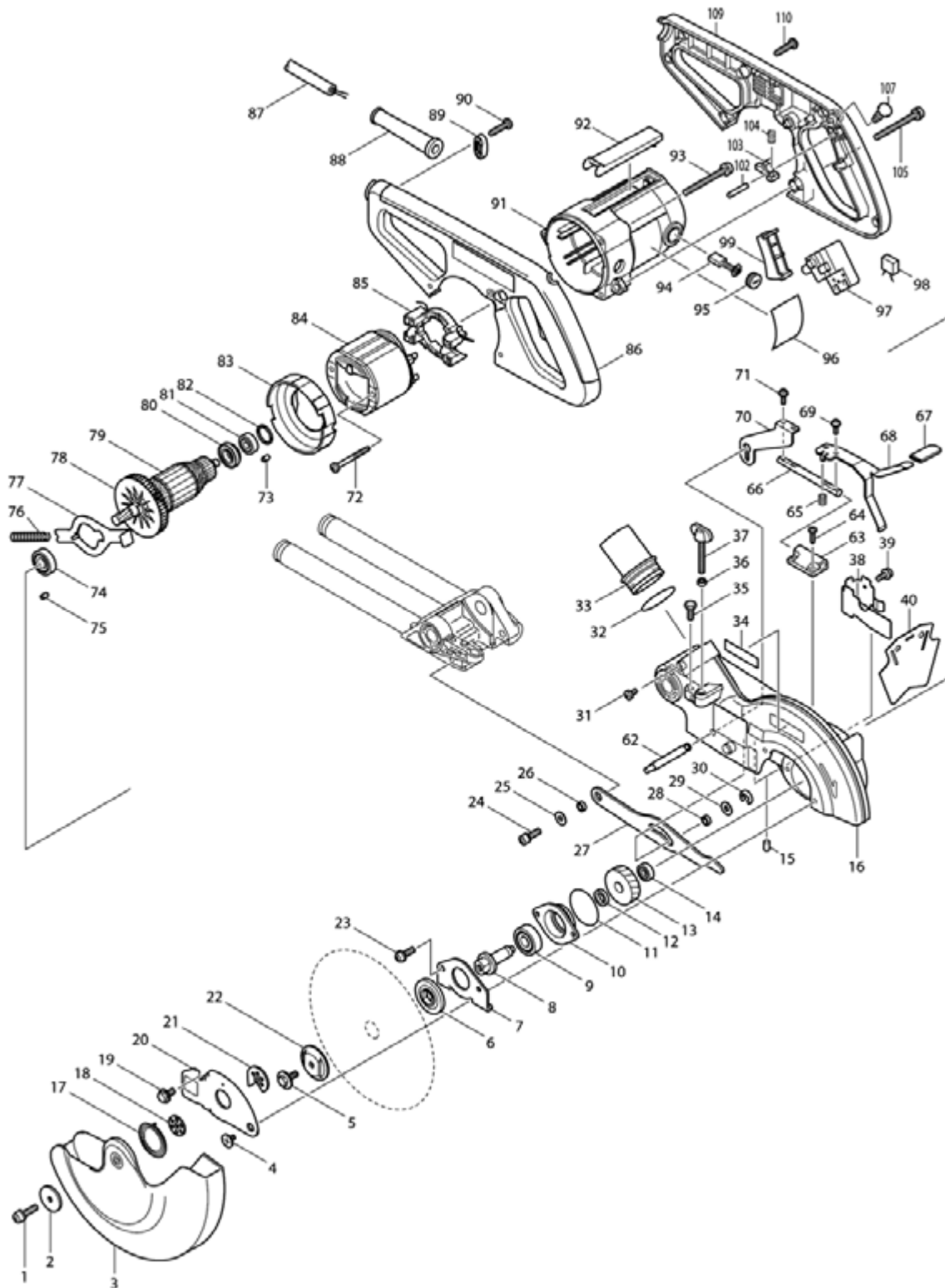
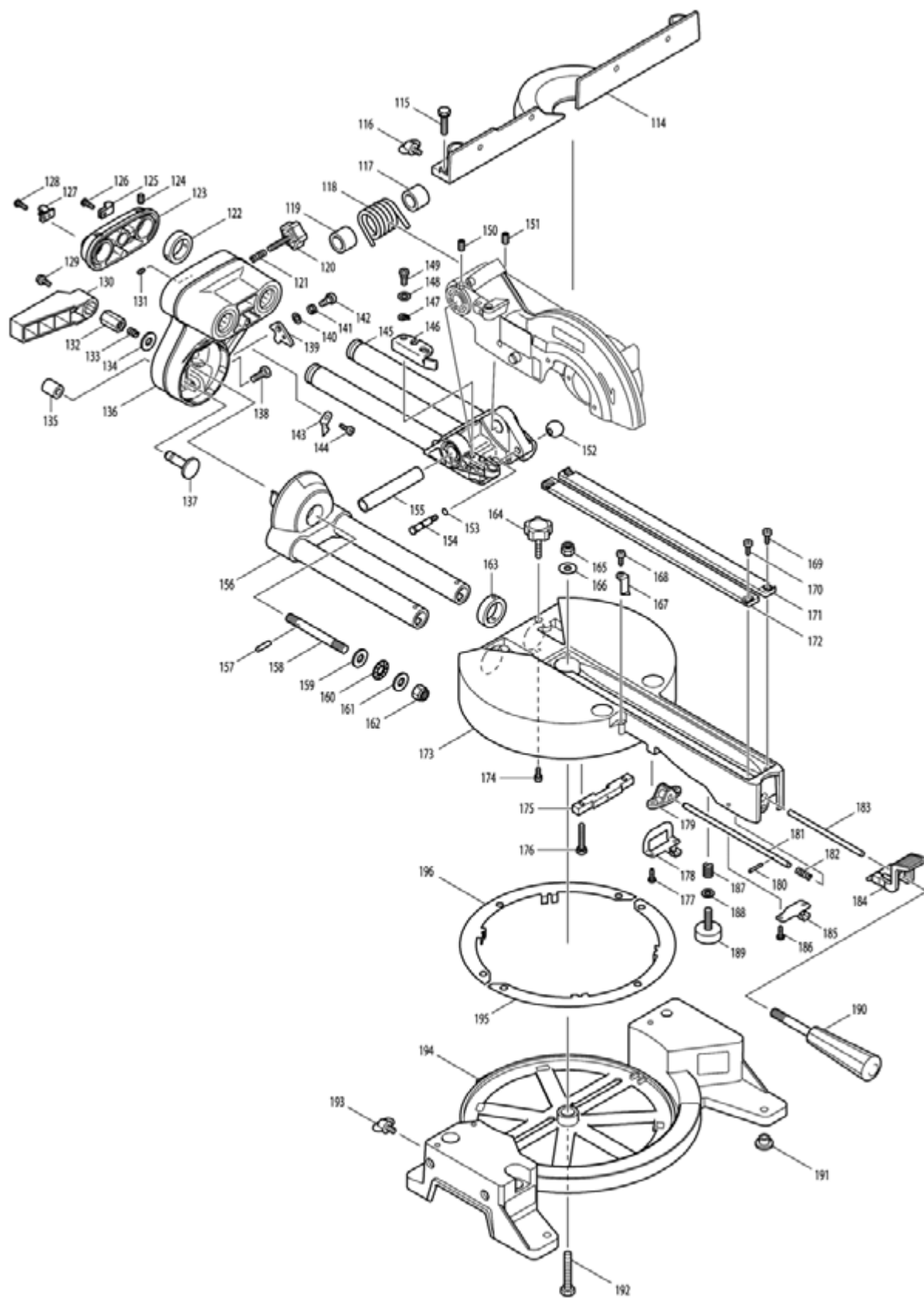


Model No.LS0714 SLIDE COMPOUND SAW 190MM



Model No.LS0714 SLIDE COMPOUND SAW 190MM



Model No.LS0714 SLIDE COMPOUND SAW 190MM

Item	Parts No.	Description	I/C	Qty	New/Old	Opt. 1	Opt. 2	Note
001A	911228-4	PAN HEAD SCREW M5X18		1	*			
001-1A	265491-4	H.S. BUTTON HEAD BOLT M5X16	<	1				
001-1B	265491-4	H.S. BUTTON HEAD BOLT M5X16		1				
002	267136-0	FLAT WASHER 5		1				
003A	418656-9	SAFETY COVER		1	*			
003-1A	419224-1	SAFETY COVER	<	1	*			
003-2A	419944-7	SAFETY COVER	S	1	*			
003-3A	453297-4	SAFETY COVER	<	1	*			
003-3B	458785-6	SAFETY COVER		1				
003-4A	458785-6	SAFETY COVER	<	1				
004	265008-3	+ FLAT HEAD SCREW M5		1				
005A	265461-3	HEX.BOLT M6X18		1	*			
005-1A	266733-9	HEX. S.F.H. BOLT M6X16	<	1				
005-1B	266733-9	HEX. S.F.H. BOLT M6X16		1				
006A	224397-5	INNER FLANGE 40		1	*			
006-1A	224370-5	INNER FLANGE 40	S	1				
006-1B	224370-5	INNER FLANGE 40		1				
007	285715-2	BEARING RETAINER 55		1				
008	323798-5	SPINDLE		1				
009	211129-9	BALL BEARING 6201DDW		1				
010	317037-3	BEARING BOX		1				
011	213565-5	O RING 42		1				
012	257010-0	RING 12		1				
013	226497-7	HELICAL GEAR 47		1				
014	211021-9	BALL BEARING 607LLB		1				
015	263005-3	RUBBER PIN 6		1				
016A	183858-3	BLADE CASE		1	*			
C10	810968-0	CAUTION LABEL		1	*			
C20	817667-5	CAUTION LABEL		1	*			
D10		INC. 15,34,75			*			
016-1A	188248-5	BLADE CASE	<	1	*			
C10	810968-0	CAUTION LABEL		1	*			
C20	817667-5	CAUTION LABEL		1	*			
D10		INC. 15,34,75			*			
016-2A	153951-7	BLADE CASE COMPLETE	O	1				
C10	810968-0	CAUTION LABEL		1				
C20	817667-5	CAUTION LABEL		1				
D10		INC. 15,75						
016-2B	153955-9	BLADE CASE COMPLETE		1				
C10	810968-0	CAUTION LABEL		1				
C20	817667-5	CAUTION LABEL		1				

Please order the parts with part number.

Print Date 31/3/2020

Model No.LS0714 SLIDE COMPOUND SAW 190MM

Item	Parts No.	Description	I/C	Qty	New/Old	Opt. 1	Opt. 2	Note
D10		INC. 15,75						
017	231934-8	SPIRAL SPRING 26		1				
018A	344639-2	CENTER WASHER		1	*			
018-1A	345589-4	CENTER WASHER	S	1				
018-1B	345589-4	CENTER WASHER		1				
019A	265473-6	HEX.BOLT M6X14		1	*			
019-1A	266732-1	HEX. SOCKET HEAD BOLT M6X16	<	1				
019-1B	266732-1	HEX. SOCKET HEAD BOLT M6X16		1				
020	344641-5	CENTER COVER		1				
021A	345410-7	CENTER PLATE		1	*			
021-1A	345585-2	CENTER PLATE	S	1				
021-1B	345585-2	CENTER PLATE		1				
022A	224282-2	OUTER FLANGE 40		1	*			
022-1A	224275-9	OUTER FLANGE 40	S	1				
022-1B	224275-9	OUTER FLANGE 40		1				
023	911223-4	PAN HEAD SCREW M5X16		2				
024	922331-6	HEX. SOCKET HEAD BOLT M6X20		1				
025	253804-1	FLAT WASHER 6		1				
026	257163-5	RING 6		1				
027A	345411-5	LINK PLATE		1	*			
027-1A	154643-1	LINK PLATE COMPLETE	S	1				
027-1B	154643-1	LINK PLATE COMPLETE		1				
028	257163-5	RING 6		1				
029	253804-1	FLAT WASHER 6		1				
030	961018-5	STOP RING E-5		1				
031	266061-2	TAPPING SCREW BIND CT 4X8		1				
032	213460-9	O RING 35		1				
033A	416133-5	DUST NOZZLE		1	*			
033-1A	419277-0	DUST NOZZLE	O	1				
033-1B	419277-0	DUST NOZZLE		1				
034A	819063-3	MAKITA LABEL		1	*			
034-1A	819197-2	MAKITA LOGO LABEL	<	1	*			
035A	265381-1	HEX. BOLT M6X16		1	*			
035-1A	266757-5	HEX. SOCKET HEAD BOLT M6X16	<	1				
035-1B	266757-5	HEX. SOCKET HEAD BOLT M6X16		1				
036A	262001-8	URETHANE RING 5		1	*			
036-1A	262190-9	URETHANE RING 5	<	1				
036-1B	262190-9	URETHANE RING 5		1				
037	265717-4	SCREW M6X43		1				
038A	345438-5	GUARD PLATE		1	*			

Please order the parts with part number.

Print Date 31/3/2020

Model No.LS0714 SLIDE COMPOUND SAW 190MM

Item	Parts No.	Description	I/C	Qty	New/Old	Opt. 1	Opt. 2	Note
038-1A	165414-1	GUARD PLATE COMPLETE	S	1				
038-1B	345438-5	GUARD PLATE		1				
039	911113-1	PAN HEAD SCREW M4X10 WITH WR		1				
040A	423333-0	GUARD		1	*			
040B	424045-8	GUARD		1				
040-1A	421626-9	GUARD	S	1				
062A	324455-8	LOCK PIN		1				
063A	418655-1	ROD HOLDER		1				
064A	266034-5	TAPPING SCREW CT 4X16		2				
065A	231316-4	COMPRESSION SPRING 7		1				
066A	324456-6	ROD 8		1				
067A	421589-9	CAP		1				
068A	345437-7	LOCK LEVER		1	*			
068-1A	345807-0	LOCK LEVER	S	1				
069A	911113-1	PAN HEAD SCREW M4X10 WITH WR		2				
070A	345436-9	LOCK PLATE		1				
071A	911113-1	PAN HEAD SCREW M4X10 WITH WR		2				
072	266046-8	TAPPING SCREW 5X50		2				
073	263002-9	RUBBER PIN 4		1				
074	211101-1	BALL BEARING 6001LLB		1				
075	263002-9	RUBBER PIN 4		1				
076	233092-6	COMPRESSION SPRING 5		1				
077	344642-3	SHAFT LOCK		1				
078	240030-1	FAN 70		1				
079	510061-7	ARMATURE ASS'Y 220V		1				
D10		INC. 74,78,80,81						
080	681644-1	INSULATION WASHER		1				
081	211031-6	BALL BEARING 608LLB		1				
082	261110-0	URETHANE WASHER 18		1				
083	416537-1	BAFFLE PLATE		1				
084A	634353-1	FIELD 220V		1	*			
084-1A	634558-3	FIELD 220V	S	1				
084-1B	634558-3	FIELD 220V		1				
085A	638360-6	SUPPORT COMPLETE		1	*			
086A	183183-2	HANDLE SET		1	*			
C10	810966-4	CAUTION LABEL		1	*			
D10		INC. 109			*			
086-1A	188113-8	HANDLE SET	O	1				
C10	810966-4	CAUTION LABEL		1				
D10		INC. 109						
086-1B	188113-8	HANDLE SET		1				

Please order the parts with part number.

Print Date 31/3/2020

Model No.LS0714 SLIDE COMPOUND SAW 190MM

Item	Parts No.	Description	I/C	Qty	New/Old	Opt. 1	Opt. 2	Note
C10	810966-4	CAUTION LABEL		1				
D10		INC. 109						
087	665870-0	POWER SUPPLY CORD 1.0-2-3.3		1				
088	682540-6	CORD GUARD 9.3-90		1				
089A	687052-4	STRAIN RELIEF		1	*			
089-1A	687124-5	STRAIN RELIEF	O	1				
089-1B	687124-5	STRAIN RELIEF		1				
090	265995-6	TAPPING SCREW 4X18		2				
091	151900-8	MOTOR HOUSING COMPLETE		1				
C10	643708-9	BRUSH HOLDER 5-11		2				
C20	810964-8	CAUTION LABEL		1				
D10		INC. 73						
092	416538-9	UPPER COVER		1				
093	911273-9	PAN HEAD SCREW M5X50		3				
094A	191963-2	CARBON BRUSH CB-303		1				
094-1B	191963-2	CARBON BRUSH CB-303		1				
095A	643750-0	BRUSH HOLDER CAP 7-11		2	*			
095-1A	643515-0	HOLDER CAP 7-11	O	2				
095-1B	643515-0	HOLDER CAP 7-11		2				
096A	860820-2	NAME PLATE LS0714		1	*			
096-1A	862821-6	NAME PLATE LS0714	<	1				
096-1B	855G82-7	LS0714 NAME PLATE		1				
097	651922-3	SWITCH TG71B		1				
098	645105-5	NOISE SUPPRESSOR		1				
099A	416534-7	SWITCH LEVER		1	*			
099B	452130-7	SWITCH LEVER		1				
099-1A	452130-7	SWITCH LEVER	<	1				
102	256098-7	PIN 5		1				
103	416533-9	LOCK OFF LEVER		1				
104	231026-3	COMPRESSION SPRING 4		1				
105	911273-9	PAN HEAD SCREW M5X50		3				
107A	411478-6	SWITCH BUTTON		1	*			
107B	417113-4	SWITCH BUTTON		1				
107-1A	417113-4	SWITCH BUTTON	<	1				
109A	183183-2	HANDLE SET		1	*			
C10	810966-4	CAUTION LABEL		1	*			
D10		INC. 86			*			
109-1A	188113-8	HANDLE SET	O	1				
C10	810966-4	CAUTION LABEL		1				
D10		INC. 86						
109-1B	188113-8	HANDLE SET		1				
C10	810966-4	CAUTION LABEL		1				

Please order the parts with part number.

Print Date 31/3/2020

Model No.LS0714 SLIDE COMPOUND SAW 190MM

Item	Parts No.	Description	I/C	Qty	New/Old	Opt. 1	Opt. 2	Note
D10		INC. 86						
110	265995-6	TAPPING SCREW 4X18		5				
114A	317039-9	GUIDE FENCE		1	*			
114-1A	317948-2	GUIDE FENCE	S	1	*			
114-2A	319191-9	GUIDE FENCE	<	1				
114-2B	319191-9	GUIDE FENCE		1				
114A_A	317039-9	GUIDE FENCE		1				
114A_B	317039-9	GUIDE FENCE		1				
115A	265489-1	HEX. BOLT M6X25		3	*			
115-1A	922344-7	H.S.H.BOLT M6X25 WITH WG	<	3				
115-1B	922344-7	H.S.H.BOLT M6X25 WITH WG		3				
116	251887-5	SCREW M6X10		1				
117	416535-5	SLEEVE 17		1				
118	231638-2	TORSION SPRING 28		1				
119	416535-5	SLEEVE 17		1				
120	251897-2	SCREW M6X33		1				
121	231325-3	COMPRESSION SPRING 6		1				
122	257214-4	RING 26		1				
123	317617-5	PIPE HOLDER		1				
124	266208-8	H.S.SET SCREW(CUP POINT)M6X8		2				
125	687042-7	STRAIN RELIEF		1				
126	266026-4	TAPPING SCREW BIND CT 4X12		1				
127A	416536-3	WRENCH HOLDER		1	*			
127-1A	687045-1	STRAIN RELIEF	X	1				
127-1B	687045-1	STRAIN RELIEF		1				
128A	266026-4	TAPPING SCREW BIND CT 4X12		1	*			
129	911113-1	PAN HEAD SCREW M4X10 WITH WR		1				
130	416006-2	LEVER 100		1				
131	913106-4	SET SCREW M4X8		1				
132	252144-4	HEX. NUT M10-17		1				
133	231266-3	COMPRESSION SPRING 5		1				
134	253024-7	FLAT WASHER 10		1				
135	286236-7	CAP 16		1				
136	153463-0	ARM COMPLETE		1				
137	324295-4	RELEASE PIN		1				
138A	265381-1	HEX. BOLT M6X16		2	*			
138-1A	266757-5	HEX. SOCKET HEAD BOLT M6X16	<	2				
138-1B	266757-5	HEX. SOCKET HEAD BOLT M6X16		2				
139	345299-3	STOPPER PLATE		1				
140	253726-5	FLAT WASHER 6		1				

Please order the parts with part number.

Print Date 31/3/2020

Model No.LS0714 SLIDE COMPOUND SAW 190MM

Item	Parts No.	Description	I/C	Qty	New/Old	Opt. 1	Opt. 2	Note
141	231663-3	TORSION SPRING 8		1				
142	265113-6	+PAN HEAD SCREW M5		1				
143	343678-9	POINTER		1				
144	266026-4	TAPPING SCREW BIND CT 4X12		1				
145	153462-2	FRONT ARM COMPLETE		1				
146	344643-1	STOPPER ARM		1				
147	253948-7	WAVE WASHER 8		1				
148	253835-0	FLAT WASHER 8		1				
149	251267-5	+ PAN HEAD SCREW M6		1				
150	251961-9	H.S.SET SCREW(FLAT POINT)M6X10		1				
151	251961-9	H.S.SET SCREW(FLAT POINT)M6X10		1				
152	271601-3	KNOB 20		1				
153	213021-5	O RING 5		1				
154	324183-5	STOPPER PIN		1				
155A	331350-5	PIN 16-90		1	*			
155-1A	331350-5	PIN 16-90	O	1				
155-1B	331350-5	PIN 16-90		1				
156	153482-6	ARM HOLDER COMPLETE		1				
C10	816392-5	BEVEL SCALE LABEL		1				
157	256100-6	PIN 5		1				
158	266320-4	SCREW M10		1				
159	253024-7	FLAT WASHER 10		1				
160	216413-7	THRUST NEEDLE CAGE 1024		1				
161	253024-7	FLAT WASHER 10		1				
162	252130-5	HEX. LOCK NUT M10-17		1				
163	257214-4	RING 26		1				
164	251897-2	SCREW M6X33		1				
165	252105-4	HEX. LOCK NUT M8-13		1				
166	253731-2	FLAT WASHER 8		1				
167	416355-7	INDICATION PLATE		1				
168	266026-4	TAPPING SCREW BIND CT 4X12		1				
169	266026-4	TAPPING SCREW BIND CT 4X12		2				
170	266026-4	TAPPING SCREW BIND CT 4X12		2				
171	417993-8	KERF BOARD		1				
172	417993-8	KERF BOARD		1				
173A	153464-8	TURN BASE COMPLETE		1	*			
C10	211376-2	LINEAR BALL BEARING 2560		2	*			
C20	262077-5	FELT RING 25		4	*			
C30	263005-3	RUBBER PIN 6		1	*			
C40	344638-4	CAP 35		2	*			

Please order the parts with part number.

Print Date 31/3/2020

Model No.LS0714 SLIDE COMPOUND SAW 190MM

Item	Parts No.	Description	I/C	Qty	New/Old	Opt. 1	Opt. 2	Note
C50	817283-3	CAUTION LABEL		2	*			
173-1A	154659-6	TURN BASE COMPLETE	S	1	*			
C10	211376-2	LINEAR BALL BEARING 2560		2	*			
C20	262077-5	FELT RING 25		4	*			
C30	263005-3	RUBBER PIN 6		1	*			
C40	344638-4	CAP 35		2	*			
C50	817283-3	CAUTION LABEL		2	*			
173-1B	140H16-2	TURN BASE COMPLETE		1				
C10	211376-2	LINEAR BALL BEARING 2560		2				
C20	262077-5	FELT RING 25		4				
C30	263005-3	RUBBER PIN 6		1				
C40	344638-4	CAP 35		2				
C50	813L22-1	CAUTION LABEL		2				
173-2A	140H16-2	TURN BASE COMPLETE	<	1				
C10	211376-2	LINEAR BALL BEARING 2560		2				
C20	262077-5	FELT RING 25		4				
C30	263005-3	RUBBER PIN 6		1				
C40	344638-4	CAP 35		2				
C50	813L22-1	CAUTION LABEL	<	2				
174	922111-0	HEX. SOCKET HEAD BOLT M4X10		1				
175	153580-6	SQUARE ROD COMPLETE		1				
C10	263005-3	RUBBER PIN 6		1				
176	925251-3	HEX.BOLT M5X30		2				
177	266034-5	TAPPING SCREW CT 4X16		2				
178	344601-7	LOCK PLATE		1				
179	317616-7	PIN HOLDER		1				
180	256158-5	PIN 3		1				
181	324288-1	LOCK PIN		1				
182	231325-3	COMPRESSION SPRING 6		1				
183	324289-9	ROD 6		1				
184	416450-3	LOCK LEVER		1				
185	345272-3	LOCK LEVER PLATE		1				
186	266034-5	TAPPING SCREW CT 4X16		2				
187	231418-6	COMPRESSION SPRING 9		1				
188	253731-2	FLAT WASHER 8		1				
189A	266296-5	ADJUST BOLT M8X27		1	*			
189-1A	266432-3	ADJUST BOLT M8X27	O	1				
189-1B	266432-3	ADJUST BOLT M8X27		1				
190	273515-2	GRIP 32		1				
191	286212-1	CAP 20		5				
192	921472-5	HEX. BOLT M8X50		1				
193A	251887-5	SCREW M6X10		2	*			

Please order the parts with part number.

Print Date 31/3/2020

Model No.LS0714 SLIDE COMPOUND SAW 190MM

Item	Parts No.	Description	I/C	Qty	New/Old	Opt. 1	Opt. 2	Note
193B	911318-3	P.H.SCREW M6X14 WITH WR		2				
193-1A	911318-3	P.H.SCREW M6X14 WITH WR	<	2				
194	153949-4	BASE COMPLETE		1				
C10	816339-9	MITER SCALE PLATE		1				
C20	810965-6	CAUTION LABEL		1				
195	344646-5	SLIDE PLATE		1				
196	344646-5	SLIDE PLATE		1				
197A	231690-0	TORSION SPRING 8		1				
198A	911114-9	PAN HEAD SCREW M4X10		1				
199A	345649-2	GUARD		1	*			
199-1A	346550-4	GUARD	<	1				
A01A	122523-9	DUST BAG ASS'Y		1	*			
C10	410602-8	FASTENER		1	*			
A01-1A	122852-0	DUST BAG ASS'Y	O	1				
C10	410602-8	FASTENER		1				
A01-1B	122852-0	DUST BAG ASS'Y		1				
C10	410602-8	FASTENER		1				
A02	122571-8	VICE ASS'Y		1				
C10	316938-2	WISE ARM		1				
C20	251887-5	SCREW M6X10		1				
C30	322313-2	WISE ROD		1				
C40	265733-6	THUMB SCREW M10X60		1				
C50	253804-1	FLAT WASHER 6		1				
C60	343651-9	WISE PLATE		1				
C70	251370-2	+ PAN HEAD SCREW M5		1				
A03A	411478-6	SWITCH BUTTON		2	*			
A04	762001-3	TRIANGULAR RULE		1				
A05	322312-4	HOLDER		2				
A06A	B-03866	T.C.T.SAW BLADE 190X20X24		1				
A06-1B	B-03866	T.C.T.SAW BLADE 190X20X24		1				
A07A	782223-9	SOCKET WRENCH		1	*			
A07-1A	783203-8	HEX. WRENCH 5	X	1				
A07-1B	783203-8	HEX. WRENCH 5		1				
A09B	127056-9	HOLDER ASSEMBLY		2				
C10	265785-7	THUMB SCREW M5X10		4				
C20	265917-6	ADJUST BOLT M8X42		4				
E03A	345808-8	SUB LEVER		1				
E04A	911113-1	PAN HEAD SCREW M4X10 WITH WR		2				
E05A	135466-6	GUARD ASS'Y		1	*			
D10		INC. 38,40,197,198,199			*			
E05-1A	135511-7	GUARD ASS'Y	<	1				
D10		INC. 38,40,197,198,199						

Please order the parts with part number.

Print Date 31/3/2020

Model No.LS0714 SLIDE COMPOUND SAW 190MM

Item	Parts No.	Description	I/C	Qty	New/Old	Opt. 1	Opt. 2	Note
E07A	142810-0	SUB FENCE COMPLETE		1				
E07B	142810-0	SUB FENCE COMPLETE		1				
E08A	252014-7	HEX. LOCK NUT M6-10		1				
E08B	252014-7	HEX. LOCK NUT M6-10		1				
E09A	266061-2	TAPPING SCREW BIND CT 4X8		1				
E09B	266061-2	TAPPING SCREW BIND CT 4X8		1				
E10A	345359-1	SUB FENCE PLATE		1				
E10B	345359-1	SUB FENCE PLATE		1				
E11A	912357-6	COUNTERSUNK HEAD SCREW M6X35		1				
E11B	912357-6	COUNTERSUNK HEAD SCREW M6X35		1				
E12A	253804-1	FLAT WASHER 6		1				
E12B	253804-1	FLAT WASHER 6		1				

Please order the parts with part number.

Print Date 31/3/2020