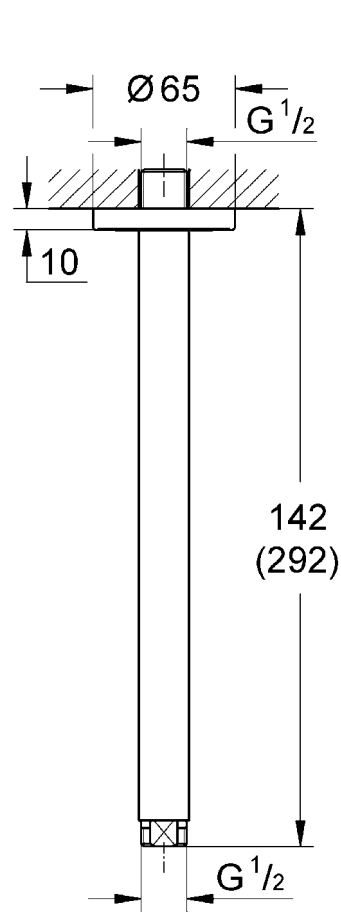
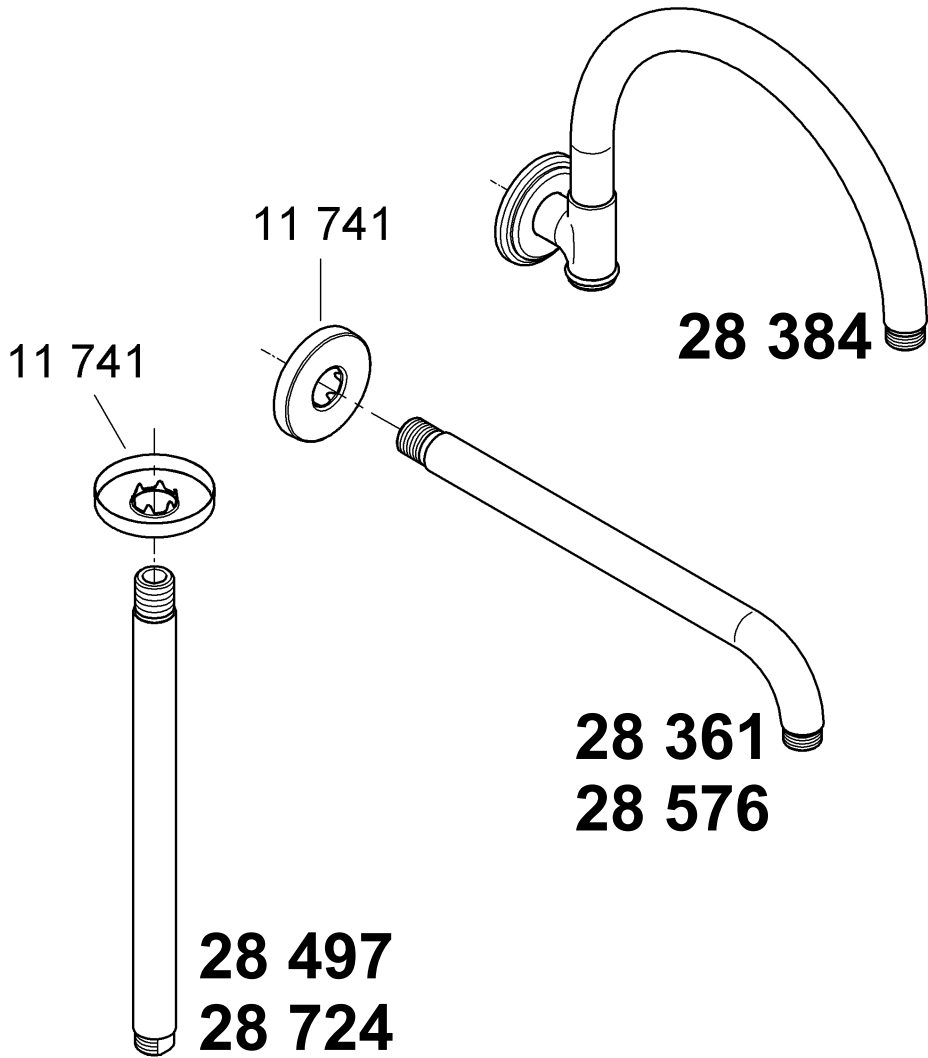
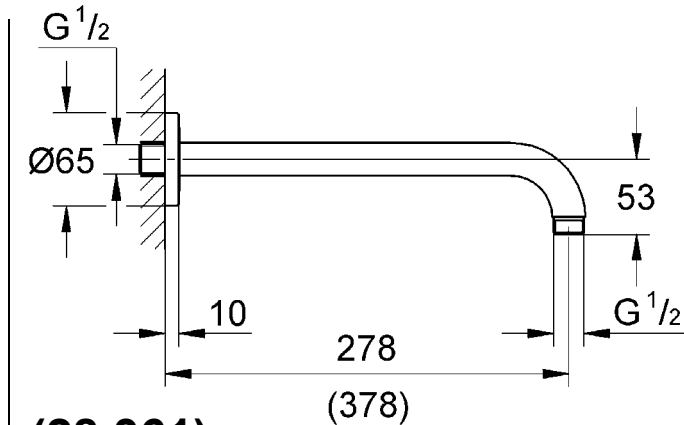




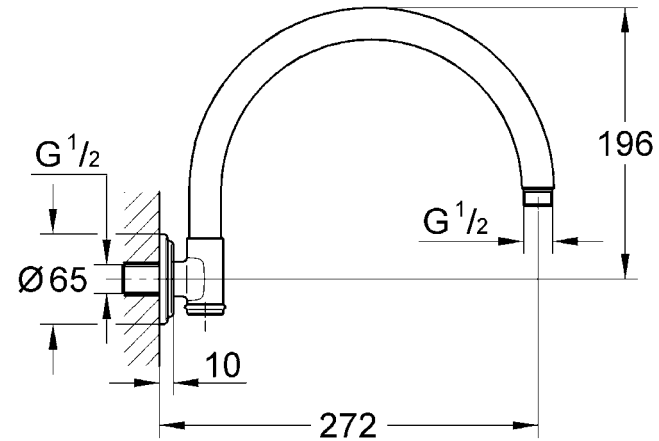
ENJOY WATER®



(28 497)
28 724



(28 361)
28 576

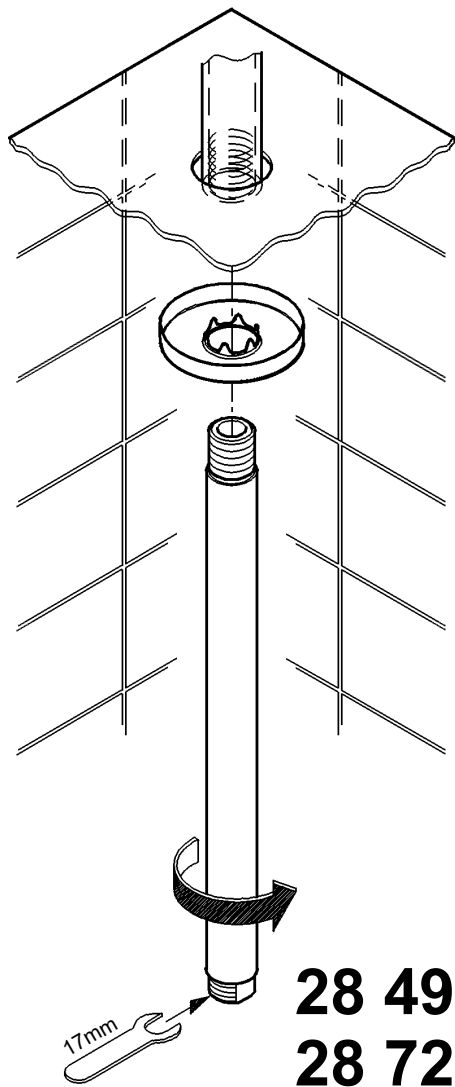


28 384

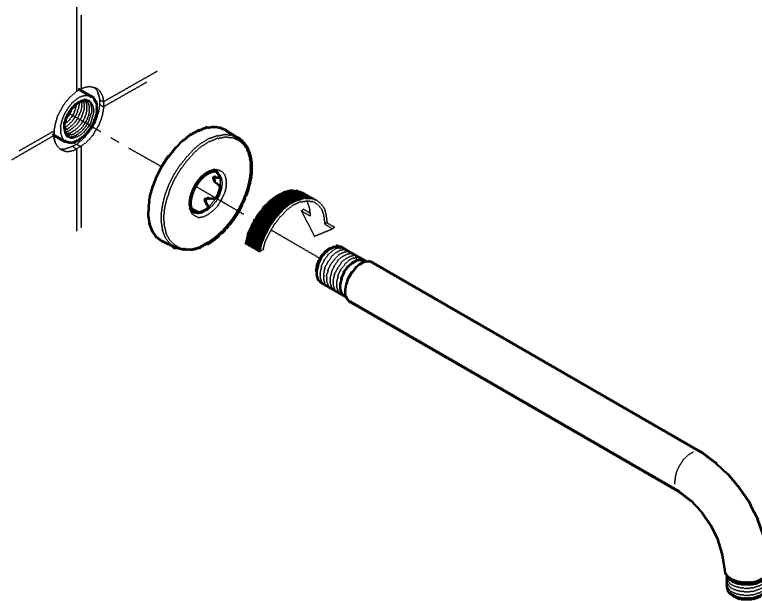
94.234.431/ÄM 202540/07.07

GROHE

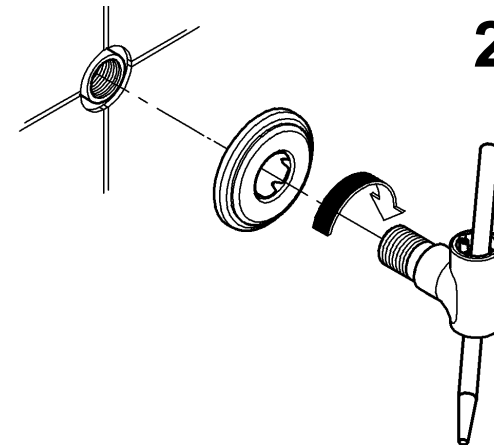
ENJOY WATER®



28 497
28 724



28 361
28 576



1.

