

# GSH 51 - MTH 510 (50.9 cm<sup>3</sup>) - GSH 56 - MTH 560 (54.5 cm<sup>3</sup>)

**GB** OPERATOR'S INSTRUCTION BOOK

**F** MANUEL D'UTILISATION ET D'ENTRETIEN

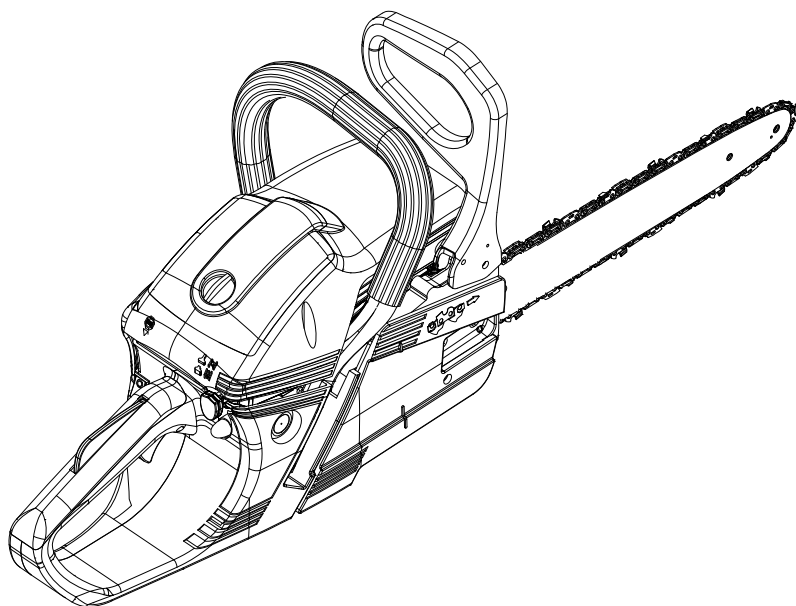
**E** MANUAL DE INSTRUCCIONES

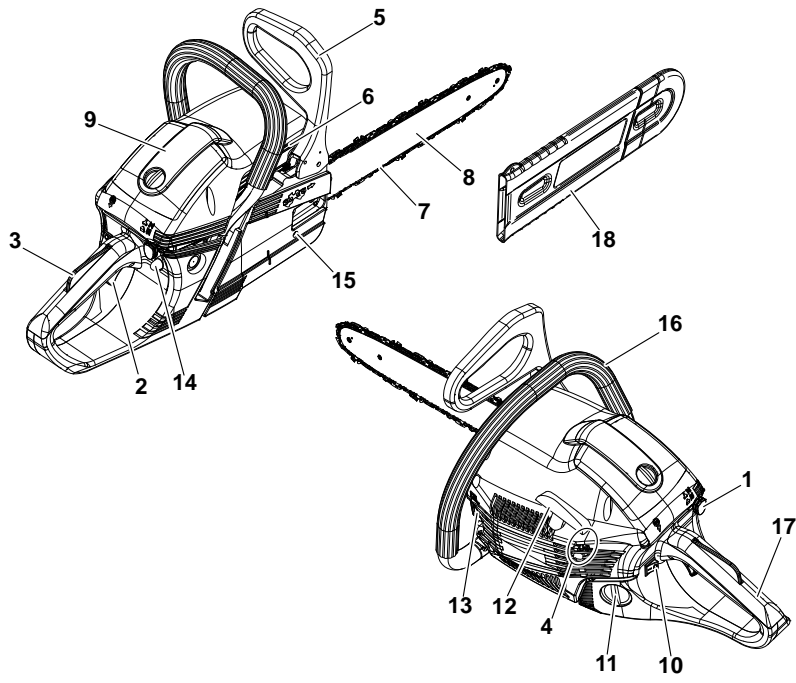
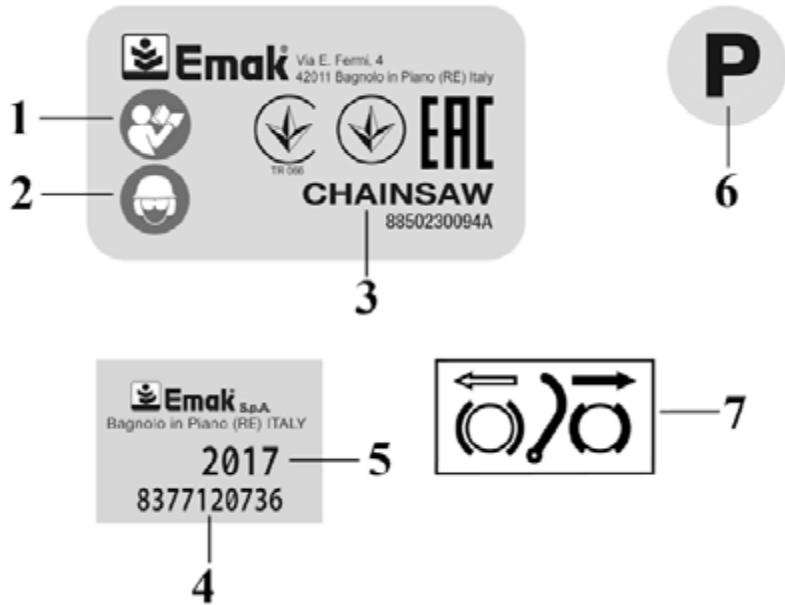
**RUS** РУКОВОДСТВО ПО ЭКСПЛУАТАЦИИ

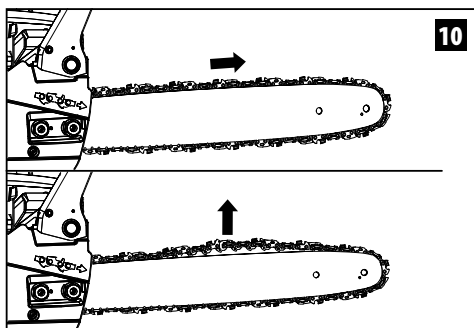
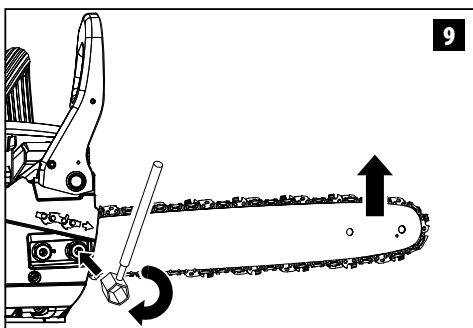
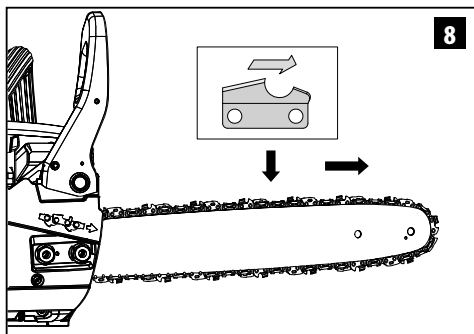
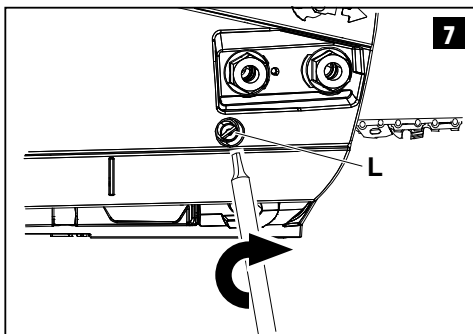
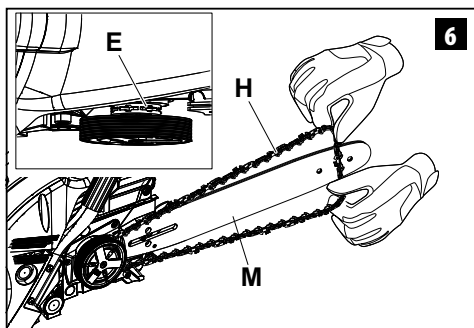
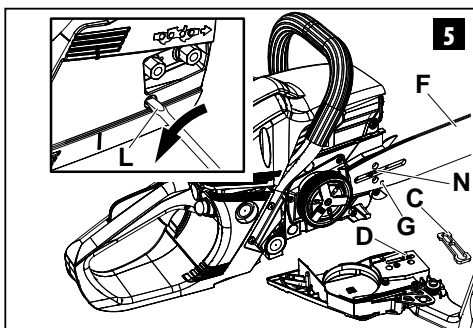
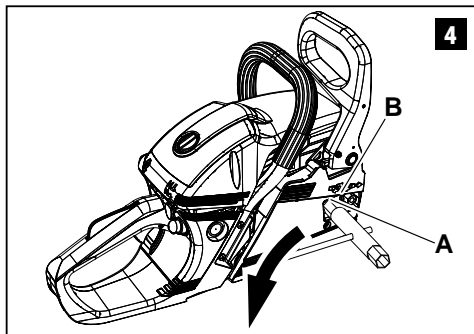
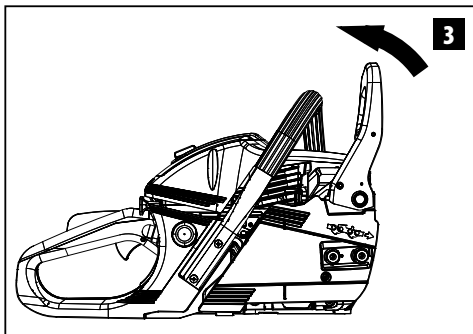
**UK** ІНСТРУКЦІЇ З ЕКСПЛУАТАЦІЇ Й ТЕХНІЧНОГО ОБСЛУГОВУВАННЯ

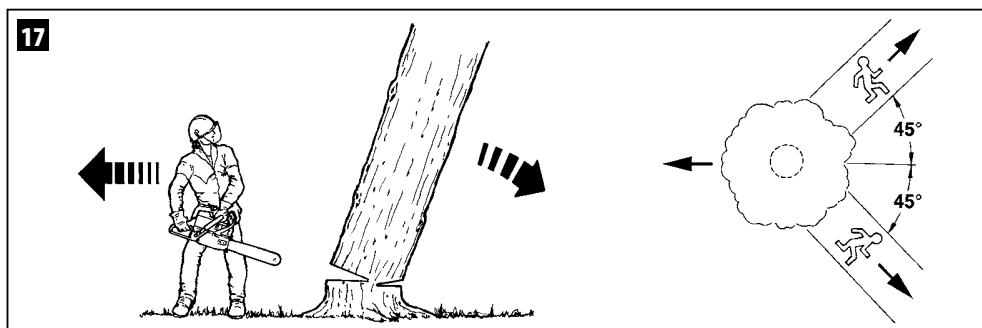
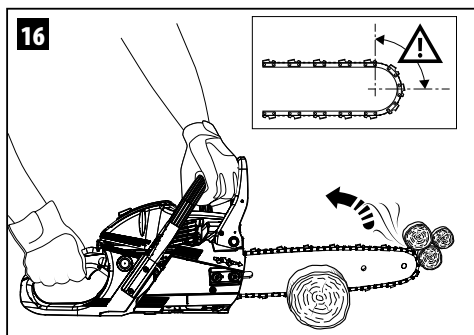
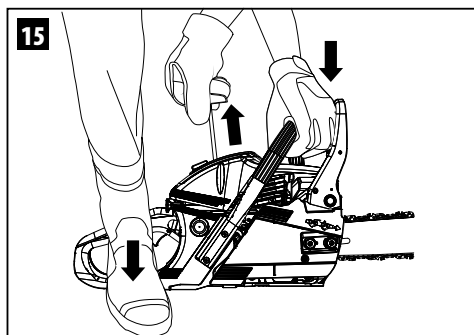
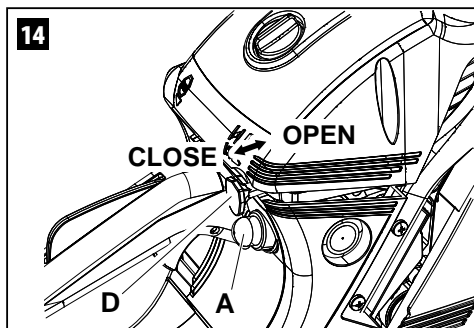
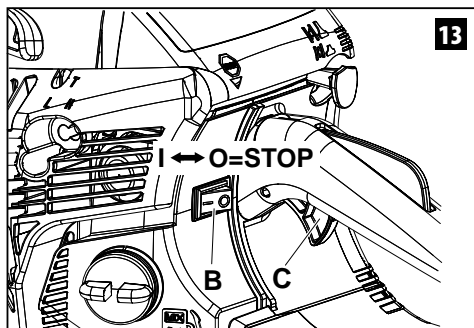
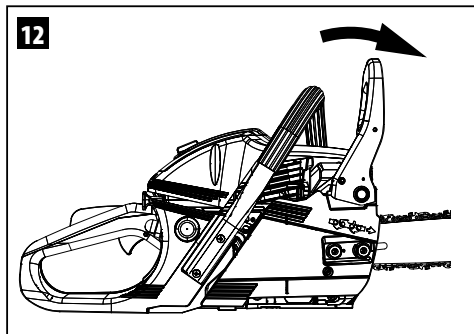
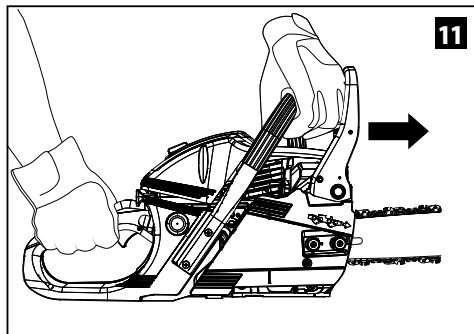
**MAL** BUKU ARAHAN PENGENDALI

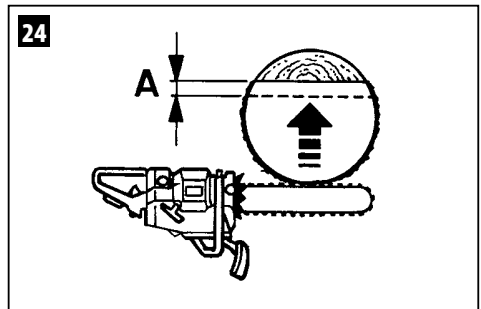
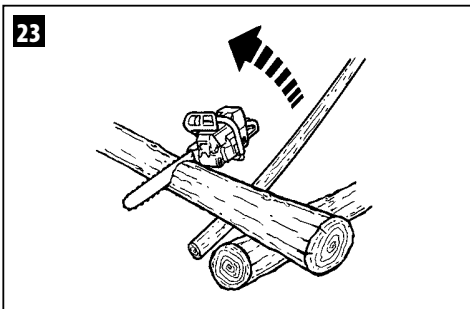
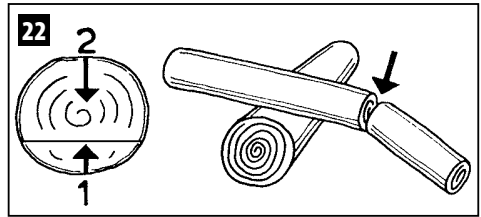
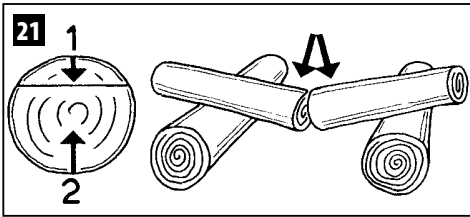
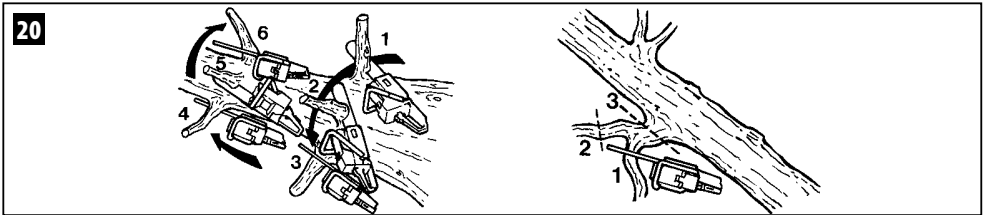
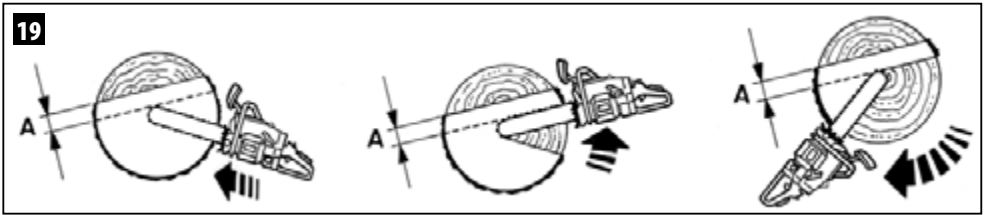
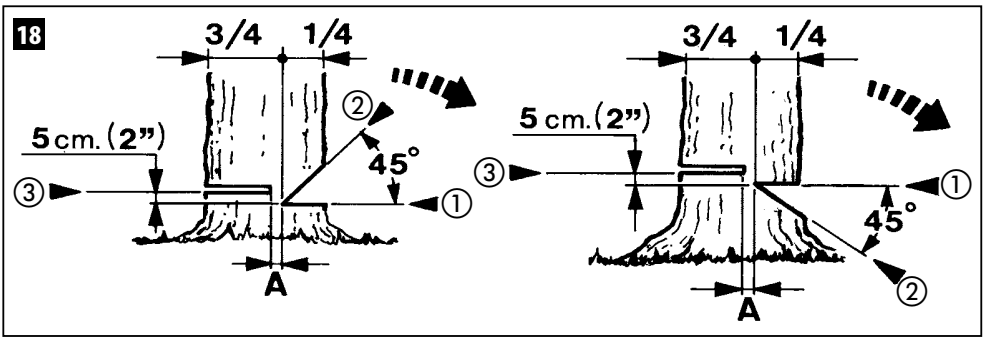
**VN** SÁCH HƯỚNG DẪN SỬ DỤNG CHO NGƯỜI VẬN HÀNH



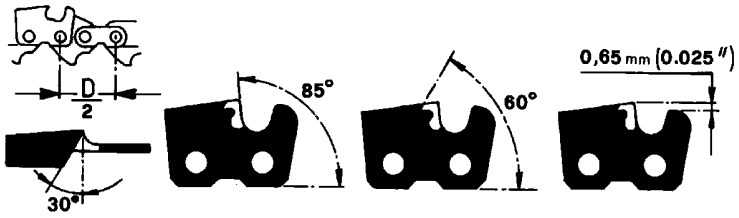




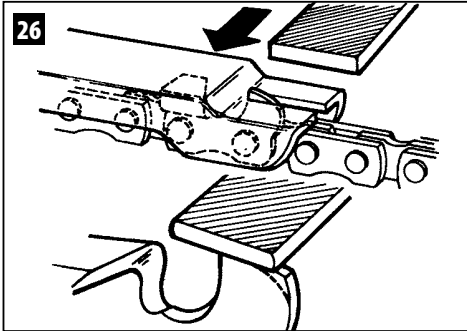




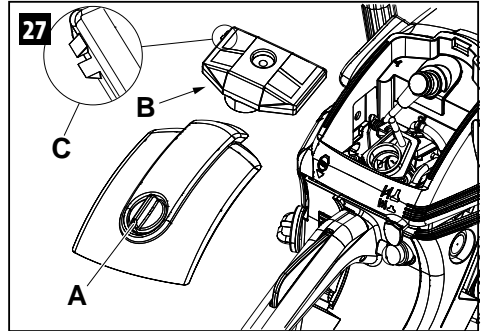
25



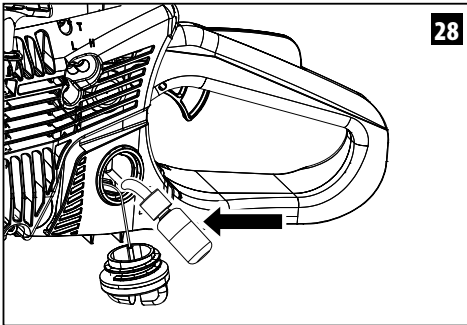
26



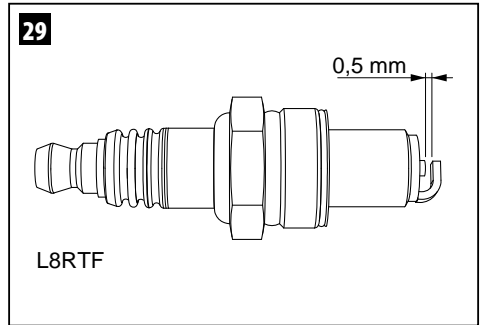
27



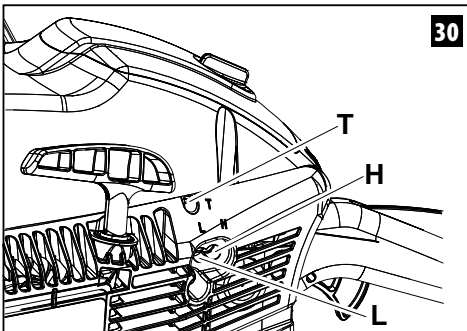
28



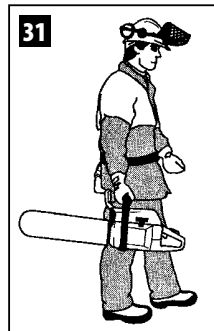
29



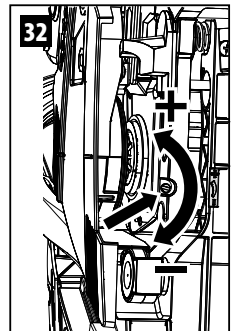
30



31



32



<b>English</b>	<b>9</b>	■
<b>Français</b>	<b>25</b>	■
<b>Español</b>	<b>41</b>	■
<b>Русский</b>	<b>57</b>	■
<b>Українська</b>	<b>73</b>	■
<b>Bahasa melayu</b>	<b>89</b>	■
<b>Tiếng việt</b>	<b>105</b>	■





**TRANSLATION OF ORIGINAL INSTRUCTIONS**

**INTRODUCTION**

For correct use of the machine and to avoid accidents, do not start working until you have read this manual carefully. You will find explanations concerning the operation of the various parts plus instructions for necessary checks and relative maintenance.

**NOTE: The descriptions and illustrations contained in this manual are not binding. The manufacturer reserves the right to undertake any modifications it deems necessary without revising this manual.**

In addition to the operating instructions, this manual contains paragraphs that require your special attention. Such paragraphs are marked with the symbols described below:

**WARNING:** where there is a risk of an accident or personal, even fatal, injury or serious damage to property.

**CAUTION:** where there is a risk of damaging the machine or its individual components.

<p><b>WARNING</b>  <b>RISK OF HEARING DAMAGE</b>          IN NORMAL CONDITIONS OF USE, THIS MACHINE          MAY EXPOSE THE OPERATOR TO A PERSONAL DAILY          NOISE LEVEL EQUAL TO OR HIGHER THAN  <b>85 dB (A)</b></p>
---

**CONTENTS**

- 1. EXPLANATION OF SYMBOLS AND SAFETY WARNINGS \_\_\_\_\_ 9
- 2. CHAIN SAW COMPONENTS \_\_\_\_\_ 9
- 3. SAFETY PRECAUTION \_\_\_\_\_ 10
- 4. FITTING THE BAR AND CHAIN \_\_\_\_\_ 11
- 5. STARTING \_\_\_\_\_ 11
- 6. STOPPING THE ENGINE \_\_\_\_\_ 14
- 7. USE \_\_\_\_\_ 14
- 8. MAINTENANCE \_\_\_\_\_ 16
- 9. STORAGE \_\_\_\_\_ 19
- 10. TECHNICAL DATA \_\_\_\_\_ 20
- 11. DECLARATION OF CONFORMITY \_\_\_\_\_ 22
- 12. WARRANTY CERTIFICATE \_\_\_\_\_ 23
- 13. TROUBLE SHOOTING CHART \_\_\_\_\_ 24

**1. EXPLANATION OF SYMBOLS AND SAFETY WARNINGS (Fig.1)**

- 1. Read operator’s instruction book before operating this machine.
- 2. Wear head, eye and ear protection.
- 3. Type of machine: **CHAIN SAW.**
- 4. Serial number
- 5. Year of manufacture
- 6. Primer bulb
- 7. Chain brake, activated (right). Chain brake, not activated (left).

**2. CHAIN SAW COMPONENTS (Fig. 2)**

- 1. Choke lever
- 2. Throttle trigger
- 3. Throttle trigger lockout
- 4. Carburetor adjustment screws
- 5. Inertial brake lever
- 6. Exhaust muffler
- 7. Chain
- 8. Guide bar
- 9. Air filter cover
- 10. On/off switch
- 11. Fuel tank cap
- 12. Starter handle
- 13. Oil tank cap
- 14. Primer bulb
- 15. Lateral chain tensioner screw
- 16. Front handle
- 17. Rear handle
- 18. Bar cover

### 3. SAFETY PRECAUTIONS

**⚠ WARNING - If correctly used, the chainsaw is a quick, easy to handle and efficient tool; if used improperly or without the due precautions it could become a dangerous tool. For pleasant and safe work, always strictly comply with the safety rules that follow and throughout this manual.**

**⚠ WARNING: The ignition system of your machine produces an electromagnetic field of very low intensity. This field could interfere with certain pacemakers. To reduce the risk of serious or fatal injury, persons with pacemakers should consult their doctor or the manufacturer of the pacemaker before using this machine.**

**⚠ WARNING: – National regulations could limit use of the machine.**

1. Do not use the chainsaw until you have completely understood the specific operating methods. First time users must familiarize themselves thoroughly with the operation of the machine before working in the field.
2. The chainsaw must only be used by adults in good physical condition with knowledge of the operating instructions.
3. Do not use the chainsaw when you are physically tired or if you have taken alcohol, drugs, or medication.
4. Never wear scarves, bracelets or anything else which could be taken up by the machine or chain. Wear close-fitting safety clothing.
5. Wear protective non-slip safety shoes, gloves, glasses, ear protection and safety helmet.
6. Never allow bystanders to remain within your working area when starting or cutting with the saw.
7. Do not start cutting until you have a clear work area. Do not cut near electric cables.
8. Always cut from a firm-footed and safe position.
9. Only use the chainsaw in well-ventilated places, do not operate the chainsaw in explosive or flammable atmospheres or in closed environments.
10. Never touch the chain or attempt to service the saw while the engine is running.
11. It is prohibited to fit any device other than that supplied by the manufacturer.
12. All labels with health hazards must be kept in good conditions. In case of damage or deterioration, immediately substitute them (Fig. 1).
13. Do not utilize the machine for uses different from the ones specified in the manual (see pag. 15).
14. Never leave the machine unattended with the engine running.
15. Check the chainsaw each day to ensure that each device, whether for safety or otherwise, is functional.
16. Always follow the manufacturer's instructions for the maintenance operations.
17. Never use a damaged, modified, or improperly repaired or assembled chainsaw. Do not remove, damage or deactivate any of the safety devices. Only use bars of the length indicated in the table.
18. Never carry out operations or repairs on your own that are other than routine maintenance. Call specialized and authorized workshops only.
19. Never start up the chainsaw without the chain cover fitted.
20. If your chainsaw is no longer usable, dispose of it properly without damaging the environment by handing it in to your local Dealer who will arrange for its correct disposal.
21. Only loan your saw to expert users who are completely familiar with saw operation and correct use. Give other users the manual with operating instructions, which they should read before using the saw.
22. All saw service, other than the operations shown in the present manual, should be performed by competent personnel.
23. Keep this manual on hand and consult it before each use of the tool.
24. Please note that the owner or the user is responsible for any accidents or damage to third parties or their property.

## SAFETY PROTECTIVE CLOTHING

**⚠** Major cases of chainsaw accidents happen when the chain hits the operator. **While working with the chainsaw, always use safety protective approved clothing.** The use of protective clothing does not eliminate injury risks, but it reduces the injury effects in case of accident. Consult your trusted supplier to choose an adequate equipment.

The clothing must be proper and not an obstacle. Wear adherent anti-cut clothing. **Anti-cut jackets, dungarees and leggings are the ideal.** Do not wear clothes, scarves, ties or bracelets that can stuck into woods or twigs. Tie up and protect long hair (example with foulards, cap, helmets, etc.)

**Safety shoes or boots having skid-proof sole and anti-piercing insert.**

**Wear protective helmet** in places where there can be falling objects.

**Wear protective goggles or face screens!**

**Use protections against noises; for example noise reduction ear guards or earplugs.**

The use of protections for the ear requests much more attention and caution, because the perception of danger audio signals (screamings, alarms, etc.) is limited.

**Wear anti-cut gloves.**

## 4. FITTING THE BAR AND CHAIN

**⚠ WARNING - Always wear work gloves during assembly procedures. Use only bars and chains recommended by the manufacturer (page 21).**

- Pull the guard (Fig. 3) towards the front handle to check that the chain brake is not on.
- Remove the bar nuts (A) and the chain cover (B, Fig. 4).
- Remove and discard the plastic shim from the bar studs (C, Fig. 5).
- Take the chain tightener pawl (D, Fig. 5) to the limit stop, by unscrewing all the chain tightener screw (L).
- Place the bar (F, Fig. 5) onto the studs (N).
- Fit the chain (H, Fig. 6) inside the sprocket (E) and the bar groove (M). Pay attention to the

direction of rotation of the chain (Fig. 8).

- Put down the chain cover, inserting it into its housing and, keeping it pressed against the bar, screw on the chain tightener screw (L, Fig. 7) so that the pawl (D, Fig. 5) goes into the hole (G) of the bar.
- Fit the chain cover and the relative nuts without tightening them.
- Tension the chain by means of the tensioning screw (L, Fig. 7).
- Hold the tip of the guide bar up and tighten the chain cover nut securely (Fig. 9). The tightening torque is 1,5 kgm (15 Nm). The chain should be taut but turn freely by hand (Fig. 10).
- The chain is tensioned correctly when it can be pulled upwards a few millimetres (Fig. 10).

**⚠ WARNING - Always maintain the correct chain tension.** An excessively slack chain increases the risk of kickback and the chain may ride out of the bar channel; these events can cause injury the operator and damage to the chain. An excessively slack chain will result in rapid wear of chain, bar and sprocket. On the contrary, an over tensioned chain will tend to overload the motor with resulting damage. **A correctly tensioned chain provides the best cutting characteristics, optimal safety, and long working life of the chain.** The working life of the chain depends on correct tensioning and correct lubrication.

## 5. STARTING

### FUELING

**⚠ WARNING: Gasoline is an extremely flammable fuel. Use extreme caution when handling gasoline or fuel mix. Do not smoke or bring any fire or flame near the fuel or the chainsaw.**

- To reduce the risk of fire and burn injury, handle fuel with care. It is highly flammable.
- Mix and store fuel in a container approved for gasoline.
- Mix fuel outdoors where there are no sparks or flames.
- Select bare ground, stop engine, and allow to cool before refueling.
- Loosen fuel cap slowly to release pressure and

- to keep fuel from escaping around the cap.
- Tighten fuel cap securely after refueling. Unit vibration can cause an improperly tightened fuel cap to loosen or come off and spill quantities of fuel.
- Wipe spilled fuel from the unit. Move 3 meter away from refueling site before starting engine.
- Never attempt to burn off spilled fuel under any circumstances.
- Do not smoke while handling fuel or while operating the chainsaw.
- Store fuel in a cool, dry, well ventilated place.
- Never place the machine in a combustible area such as dry leaves, straw, paper, etc.
- Store the unit and fuel in an area where fuel vapors cannot reach sparks or open flames from water heaters, electric motors or switches, furnaces, etc.
- Never take the cap off the tank when the engine is running.
- Never use fuel for cleaning operations.
- Take care not to get fuel on your clothing.



This product is powered by a 2-cycle engine and requires pre-mixing gasoline and 2-cycle oil. Pre-mix unleaded gasoline and 2-cycle engine oil in a clean container approved for gasoline.

**RECOMMENDED FUEL:** THIS ENGINE IS CERTIFIED TO OPERATE ON UNLEADED GASOLINE INTENDED FOR AUTOMOTIVE USE WITH AN OCTANE RATING OF 89 ((R + M) / 2) OR HIGHER.

Mix 2-cycle engine oil with gasoline according to the instructions on the package.

We strongly recommend the use of **2% (1:50)** Oleo-Mac/Efco two cycle engine oil, which is specifically formulated for all air-cooled two-stroke engines.

The correct oil / fuel proportions shown in the table are suitable when using the Oleo-Mac/Efco **PROSINT 2** and **EUROSINT 2** or an equivalent high-quality engine oil (**JASO specification FD** or **ISO specification L-EGD**).

GASOLINE	OIL	
		
	<b>2% - 50:1</b>	
ℓ	ℓ	(cm <sup>3</sup> )
1	0,02	(20)
5	0,10	(100)
10	0,20	(200)
15	0,30	(300)
20	0,40	(400)
25	0,50	(500)

**⚠ CAUTION: DO NOT USE AUTOMOTIVE OIL OR 2-CYCLE OUTBOARD OIL.**

**⚠ CAUTION:**

- Match your fuel purchases to your consumption; don't buy more than you will use in one or two months;
- Store gasoline in a tightly-closed container in a cool, dry place.

**⚠ CAUTION - For the mixture, never use a fuel with an ethanol percentage higher than 10%; gasohol (mixture of gasoline and ethanol) up to 10% ethanol or E10 fuel are acceptable.**

**NOTE** - Prepare only the quantity of mixture required for immediate use; do not leave fuel in the tank or a container for a long time. We recommend the use of the additive **Emak ADDITIX 2000** code 001000972 if the mixture is to be stored for 12 months.

**Alkylate gasoline**

**⚠ CAUTIONS – Alkylate fuels have different density than normal fuel. Therefore engines, set with normal fuel, need different H jet regulation to avoid critical issues. For this operation it's necessary turned at a Licensed Service Dealer.**

**FILLING THE TANK**

Stir the mixture well before refuelling.

**⚠ WARNING: Follow safety instruction for fuel handling. Always shut off engine before fuelling. Never add fuel to a machine with a running or hot engine. Move at least 3 m from refuelling site before starting engine. DO NOT SMOKE!**

1. Clean surface around fuel cap to prevent contamination.
2. Loosen fuel cap slowly.
3. Carefully pour fuel mixture into the tank. Avoid spillage.
4. Prior to replacing the fuel cap, clean and inspect the gasket.
5. Immediately replace fuel cap and hand tighten. Wipe up any fuel spillage.

**⚠ WARNING: Check for fuel leaks, if any are found, correct before use. Contact a Servicing Dealer if necessary.**

### OIL FILLING AND CHAIN LUBRICATION

The saw chain is automatically lubricated during use by a pump which normally requires no maintenance. The oil flow is pre-regulated by the manufacturer to ensure a sufficient oil delivery even under heavy working conditions. During cutting of thin timber a possible oil dripping is normal.

- Always wipe off around the filler hole before unscrewing the cap (13, Fig. 2) so that no dirt enters the oil reservoir.
- During work watch the oil level.
- After the filling, operate the motor 2 or 3 times to restore correct oil delivery.
- In case of faults do not try to repair the machine yourself, but apply to your authorized dealer.

Correct chain lubrication during the cutting phase reduces wear to a minimum between the chain and bar thus prolonging life. Always use a good quality oil.

**⚠ WARNING - Never use waste oil. Always use biodegradable lubricant (ecolube Oleo-Mac/Efco) which is specific for bar and chain and also respectful towards nature, operator health and chain saw's parts.**

**⚠ Before starting make sure the chain is not obstructed.**

**⚠ When the engine is idling the chain must not turn. Otherwise contact an Authorized Service Center to carry out a check and fix the problem.**

**⚠ When the chainsaw is running, grip the front handle firmly with your left hand**

**and the back handle with your right hand (Fig. 11).**

- Do not lean forward and do not cut above shoulder height; gripping the chain saw at the top of the handle makes it difficult to control and counteract kickback.
- **Check that all parts of the body are kept away from the chain and muffler.**
- **Left-handers should follow these instructions too. Keep a proper cutting stance.**

**⚠ Over exposure to vibrations can result in blood-vessel or nerve injury to persons suffering with blood circulation problems. Seek medical attention if you experience physical symptoms such numbness, lack of feeling, reduction in normal strength, changes in the color of the skin. These symptoms normally appear in the fingers, hands or wrists.**

### Engine is Flooded

- Set the on/off switch to **STOP** (0) (B, Fig. 13).
- Unscrew the screw on the cover (A, Fig. 25).
- Remove the cover.
- Pry off the spark plug boot.
- Unscrew and dry off the spark plug.
- Open the throttle wide.
- Pull the starter rope several times to clear the combustion chamber.
- Refit the spark plug and connect the spark plug boot, press it down **firmly**.
- Set the on/off switch to I, the starting position.
- Set the choke lever to OPEN position – even if engine is cold.
- Now start the engine.

**⚠ WARNING – Never start the saw engine without the bar, chain and clutch cover (chain brake) assembled - or else the clutch can come loose and cause personal injuries.**

### STARTING THE ENGINE

**The chain brake must be engaged when starting the saw. Set the chain brake by pushing the chain brake lever / hand guard forward (towards the bar), to the brake position (Fig. 12). Fill the carburetor by pushing primer bulb (A, Fig. 14). Put the ON/OFF switch**

(B, Fig. 13) in the "I" position. Pull the choke lever (D, Fig. 14) CLOSE. Place the chainsaw on the ground in a stable position. Check that the chain is free to turn and will not come into contact with any foreign objects. Before you start the engine, make sure the saw chain is not contacting any object. Never try to start the saw when the guide bar is in a cut. Hold the front handle firmly with the left hand and put your right foot onto the base of the rear handle (Fig. 15). Pull the starter cord a few times until the first **kick over** of the engine is heard. Push the choke lever in (D, Fig. 14) to its' original position "OPEN". Pull the starter cord to start the engine. Once the engine is going release the chain brake and **wait for a few seconds**. Then accelerate with the throttle (C, Fig. 13) to fire the half throttle-blocking device. **Release the brake (Fig. 3).**

**⚠ WARNING - Once the engine is warmed up do not use the choke to start up again.**

**⚠ WARNING - Use the semi-acceleration device only in the phase of starting the engine.**

#### **BREAKING-IN THE ENGINE**

The engine reaches the maximum power after 5÷8 hours of activity.

During this period of breaking-in do not use the engine at wide open throttle without load, to avoid excessive functioning stress.

**⚠ WARNING! - During the breaking-in period do not vary the carburetion to obtain a presumed power increment; the engine can be damaged.**

**NOTE: It is normal for smoke to be emitted from a new engine during and after first use.**

#### **BREAKING-IN THE CHAIN**

New chains will stretch and must be tightened frequently. Tension adjustment should only be made when the chain is cool. First, turn the chain and lubricate it with additional oil. Then start the saw and allow it to run at moderate speed, checking that the oil pump is working properly. Stop the engine and adjust the chain tension. Start the saw again and make a few cuts in a trunk to heat up the chain. Stop the engine, allow the chain to cool and adjust again. Repeat this

process until the chain retains proper tension. Do not touch the ground with the chain.

**⚠ WARNING - Never touch the chain while the motor is running. Do not touch the ground with the chain.**

## **6. STOPPING THE ENGINE**

Release the throttle lever (C, Fig. 13) and let the engine return to idle. Turn off the engine, putting the ON/OFF switch (B) in the STOP (0) position.

**⚠ Do not put the chain saw on the ground when the chain is still moving.**

## **7. USE**

### **CHAIN BRAKE**

The inertial chain brake ensures maximum safety in using the chainsaw. It protects the operator from dangerous kickback which can occur during working phases. It is actuated, with consequent instant locking of the chain, when the operator presses the lever (manual operation) or automatically by inertia when the protection is pushed forward (Fig. 16) in the event of sudden kickback (inertial operation).

The chain brake is released by pulling the lever towards the operator (Fig. 3).

### **CHECKING BRAKE OPERATION**

At machine inspection prior to each job, check the operating condition of the brake following the steps below:

1. Start the engine and grasp the handle securely with both hands.
2. Pulling the throttle lever to maintain the chain operation, push the brake lever down toward the front using the back of your left hand (Fig. 11).
3. When the brake operates and the chain is stopped, release the throttle lever.
4. Release the brake (Fig. 3).

**BRAKE MAINTENANCE:** always keep the chain brake mechanism clean and lubricate the leverage. Check wear on the brake belt. Its minimum thickness must be **0.30 mm**.

## PROHIBITED USE

**⚠ WARNING - Always follow the safety regulations. This chain saw is designed and built for pruning and tending standing trees or shrubs. It is forbidden to cut other types of material. Vibrations and kickback vary with different materials and the requirements of the safety regulations would not be respected. Do not use the chainsaw as a lever for lifting, moving or splitting objects. Do not lock it over fixed stands. It is forbidden to hitch tools or applications to the P.t.o. that are not specified by the manufacturer.**

## PRECAUTIONS FOR THE WORK AREA

- Do not work near electrical cables.
- Work only in conditions offering sufficient visibility and light to see clearly.
- Stop the engine before setting the chainsaw down.
- Be particularly cautious and alert when wearing ear protectors, as these can restrict your ability to hear sounds indicating danger (shouts, signals, warnings, etc.)
- Be extremely careful when working on slopes or uneven surfaces.
- Do not cut above chest height, as a saw held higher is difficult to control against kickback forces.
- **Do not cut from a ladder, this is extremely dangerous.**
- Stop the saw if the chain strikes a foreign object. Inspect the saw and repair parts as necessary.
- Keep the chain out of dirt and sand. Even a small amount of dirt will quickly dull a chain and increase the possibility of kickback.
- Always keep the handles dry and clean.
- When cutting a limb that is under tension, be alert for springback so you will not be struck when the tension in the wood fibre is released.
- Take great care when cutting small branches or shrubs which can block the chain, be thrown back towards you or cause you to lose your balance.

## OPERATING INSTRUCTIONS

**⚠ WARNING - Tree filling is a task that requires experience. Not groped tree filling if you are inexperienced. AVOID ALL TRANSACTIONS FOR WHICH YOU ARE**

**NOT QUALIFIED! It is recommended that inexperienced operators to refrain tree filling if the trunk has a diameter greater than the length of the bar. When using the chainsaw for the first time, make several cuts in a small trunk in order to become familiar with the saw in action. Always use full throttle when cutting with the saw, regardless of the size of the timber. Never push down on the saw when cutting. The weight of the saw alone enables it to cut properly with minimum effort.**

**⚠ WARNING - Never cut in high wind, bad weather, when visibility is poor or in very high or low temperatures. Always check the tree for dead branches which could fall during the felling operation.**

## TREE FELLING

In tree filling and bucking operations exploit the presence of spike bumpers, pivoting on it. Study the tree and surrounding area before starting to cut. Clear the work area before beginning to cut. Prepare the widest possible path of retreat for when the tree falls (Fig. 17). Cut off any branches at the bottom of the trunk up to a height of about 2 metres. Make a 90 degree notch on the face of the tree, in the direction it will fall. The depth of the notch should never exceed 1/4 of the diameter of the trunk (1 - Fig. 18). About 10 cm (4") higher up the trunk make a cut down towards the first cut, in order to extract a wedge. This is the mouth of the hinge, and is the direction in which the tree falls (2 - Fig. 18).

Now, make your felling cut on the opposite side of the trunk. Start the cut about 4-5 cm (2") higher than the center of the notch (3 - Fig. 18). Always leave a hinge (A, Fig. 19-24) which allows you to control the direction the tree falls in. Put a wedge into the felling cut, before the tree starts to move, to prevent the chainsaw guide bar from getting stuck.

If the diameter of the trunk is greater than the length of the guide bar, make the felling cut as shown in the sequence of Fig. 19.

## LIMBING

- a) Always start from the larger diameter and move towards the tip to cut off limbs and any secondary branches.

- b) Always find the safest and most stable position before accelerating the chainsaw. If necessary, keep your balance by resting your knee on the trunk itself.
- c) Keep the chainsaw on the trunk so as not to get too tired, turning it onto the left- or right-hand side depending on the position of the branch to cut (Fig. 20).
- d) In the case of branches under tension, find a safe position to protect yourself if they whip back. Always start the cut from the opposite side to the bend.
- e) When lopping large diameter branches make use of the bumper spike.

**⚠ WARNING - Do not use the upper edge of the tip of the guide bar to cross-cut; otherwise you might risk a kickback.**

### BUCKING

When bucking up the trunk to desired lengths, there is one basic rule to follow. Look to see where the trunk is supported, and determine which way the two halves will fall when cut.

- a) If the trunk is supported at both ends, first make a small cut at the top (1 - Fig. 21), then complete the cut from the bottom (2 - Fig. 21). This will avoid pinching the saw.
- b) If the trunk is supported at one end or near the center, first make a small cut from underneath (1 - Fig. 22), then complete the cut from the top (2 - Fig. 22).

**⚠ WARNING - If the saw becomes pinched in the trunk, stop the engine, lift the log and change its position (Fig. 23). Never attempt to free the saw by pulling on it.**

## 8. MAINTENANCE

**⚠ WARNING - Always wear protective gloves during maintenance operations. Do not carry out maintenance when the engine is hot.**

### CHAIN SHARPENING

The pitch of the chain (Fig. 25) is .325" or 3/8". Sharpen the chain using protective gloves and a round file of Ø 4.8 mm (3/16") or Ø 5.5 mm (7/32").

**⚠ WARNING - Do not fit the chain .325" on the 3/8" pinion or vice versa.**

Always sharpen the cutters only with outward strokes observing the values given in Fig. 25. After sharpening, the cutting links must all have the same width and length.

**⚠ WARNING - A sharp chain produces well-defined chips. When your chain starts to produce sawdust, it is time to sharpen.**

After every 3-4 times the cutters have been sharpened you need to check the height of the depth gauges and, if necessary, lower them using the flat file and template supplied optional, then round off the front corner (Fig. 26).

**⚠ WARNING - Proper adjustment of the depth gauge is as important as proper sharpening of the chain.**

### GUIDE BAR

The guide bars provided with a sprocket at their tip must be lubricated with grease using a lubrication syringe.

The bar should be reversed every 8 working hours to ensure uniform wear.

Keep the bar groove and lubrication hole clean using the bar groove cleaner supplied optional. Check the bar rails frequently for wear and, if necessary, remove the burs and square-up the rails using the flat file.

**⚠ WARNING - Never mount a new chainsaw on a worn sprocket.**

**AIR FILTER** - Rotate the knob (A, Fig. 27) and check the air filter (B) each day. Open air cleaner (B) by means of the two tabs (C). Clean with Emak degreaser p/n 001101009A, rinse with water and blast dry with compressed air, not too close, blowing from the inside outwards. Renew the filter if heavily clogged or damaged.

**⚠ WARNING!** – When refitting the air filter (B), fit it into well, before reassembly.

**FUEL FILTER** - Check the fuel filter periodically. Replace it if too dirty (Fig. 28).



**OIL PUMP (automatic/adjustable)** - Flow adjustment is pre-set by the manufacturer. Oil flow can be adjusted by the operator according to specific requirements by means of the special adjusting screw (Fig. 32). Oil flow occurs only when the chain is moving.

**⚠ WARNING - Never use scavenge oil.**

**STARTING UNIT** - Use a brush or compressed air to keep the cooling louvers of the starter assembly free and clean.

**ENGINE** - Clean the cylinder fins with compressed air or a brush periodically. Dangerous overheating of engine may occur due to impurities on the cylinder.

**SPARK PLUG** - Clean the spark plug and check the electrode gap periodically (Fig. 29). Use TORCH L8RTF or of other brand with the same thermal grade.

**CHAIN BRAKE** - If the chain brake does not work properly, remove the chain cover and the clean brake components. Replace the chain brake band if worn or deformed.

**GUIDE BAR** - Turn the guide bar and check that the lubrication holes are free from impurities.

Never use fuel for cleaning operations.

### **CARBURETOR**

Before adjusting the carburetor, clean the starter cover, the air filter (Fig. 27) and warm up the engine.

The carburetor (Fig.30) is adjusted in the factory by means of screw L (open about 1 turn +1/2) and screw H (open about 1 turn +1/2).

Idle screw T is adjusted in order to ensure a good safety margin between idle running and clutch engagement.

Screw L must be adjusted so that the engine promptly responds to sharp accelerations and gives good idle operation.

Screw H must be adjusted so that the engine gives maximum power during the cutting phase.

**⚠ WARNING - Weather conditions and altitude may affect carburation. Do not allow anyone to stay close to the chainsaw while working or while adjusting the carburetor.**

### **EXTRA MAINTANANCE ADVISABLE**

It is advisable to inspect the machine by a specialized technician at an authorized service network at the end of season, if used intensively, and every two years if with normal use.

**⚠ WARNING! – Any maintenance operations not specifically dealt with in this manual must be carried out by an authorized service center.** To ensure that your chainsaw continues to function correctly, use only **ORIGINAL REPLACEMENT PARTS.**

**⚠ Any unauthorized changes and/or use of non-original replacement parts may result in serious injury or death to the operator or third parties.**

### **TRANSPORTION**

Carry the chainsaw with the engine stopped, guide bar to the rear and chain cover on (Fig. 31).

**⚠ WARNING -** When transporting the machine on a vehicle, ensure that it is firmly and securely fastened using straps or belts. The machine must be transported in the horizontal position, also ensuring compliance with applicable transport regulations for such machines.

# MAINTENANCE CHART

**GB**

Please note that the following maintenance intervals apply for normal operating conditions only. If your daily work requires longer than normal or harsh cutting conditions are present the suggested intervals should be shortened accordingly.

		Before Each Use	After Each Refueling Stop	Weekly	If Damaged or Faulty
Complete Machine	Inspect (Leaks, Cracks, and Wear)	X	X		
Controls (Ignition Switch, Choke Lever, Throttle Trigger, Trigger Interlock)	Check Operation	X	X		
Chain Brake	Check Operation	X	X		
	Check by Dealer				X
Fuel Tank and Oil Tank	Inspect (Leaks, Cracks, and Wear)	X	X		
Fuel Filter	Inspect and Clean			X	
	Replace Filter Element				X
Chain Lubrication	Check Output	X	X		
Saw Chain	Inspect (Damage, Sharpness, and Wear)	X	X		
	Check Tension	X	X		
	Sharpen (Check Gauge Depth)				X
Guide Bar	Inspect (Damage, and Wear)	X	X		
	Clean Bar groove and Oil Passages	X			
	Rotate, Lubricate Sprocket Nose and Deburr			X	
	Replace				X
Rim Sprocket	Inspect (Damage, and Wear)			X	
	Replace				X
Clutch Drum	Inspect (Damage, and Wear)			X	
	Replace				X
Chain Catcher	Inspect (Damage, and Wear)	X	X		
	Replace				X
All Accessible Screws and Nuts (not Adjusting Screws)	Inspect - Retighten			X	
Air Filter	Clean	X			
	Replace				X
Cylinder Fins and Starter System Vents	Clean			X	
Starter Rope	Inspect (Damage, and Wear)			X	
	Replace				X
Carburetor	Check Idle (Chain must not rotate at Idle)	X	X		
Spark Plug	Check Electrode Gap			X	
	Replace				X
Vibration Mounts	Inspect (Damage and Wear)			X	

## 9. STORAGE

If the machine is to be stored for long periods:

- Drain and clean the fuel and oil tank in a well-ventilated area.
- Dispose of fuel and oil according to the rules and respecting the environment.
- To drain the tank, start the engine and wait until the fuel is exhausted and the engine stops (leaving fuel mixture in the carburetor could damage the membranes).
- Remove, clean and spray it with protective oil the chain and the bar.
- Thoroughly clean the air intake slots on the starter housing, the air filter (Fig. 27) and the cylinder fins.
- Store the blower in a dry place, preferably not in direct contact with the ground, away from heat sources and the tanks empty.
- The procedures for returning the machine to service following winter storage are the same as for starting up during everyday use (page 12).

### ENVIRONMENTAL PROTECTION

Environmental protection should be a priority of considerable importance when using the machine, for the benefit of both social cohesion and the environment in which we live.

- Try not to cause any disturbance to the surrounding area.
- Scrupulously comply with local regulations and provisions for the disposal of oils, petrol, batteries, filters, deteriorated parts or any elements which have a strong impact on the environment. This waste must not be disposed of as normal waste, it must be separated and taken to specified waste disposal centers where the material will be recycled.

### Demolition and disposal

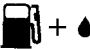

When the machine reaches the end of its service life, do not dispose of it into the environment; instead take it to a waste disposal center.

Most materials used in the manufacture of the machine are recyclable; all metals (steel, aluminium, brass) can be delivered to a normal recycling station. For information contact your

local waste recycling service. Waste disposal must be carried out with respect for the environment, avoiding soil, air and water pollution.

**In all cases, applicable local legislation must be complied with.**

## 10. TECHNICAL DATA

	GSH 51 MTH 510		GSH 56 MTH 560	
Displacement	50.9 cm <sup>3</sup>		54.5 cm <sup>3</sup>	
Engine	2 stroke EMAK			
Power	2.2 kW		2.6 kW	
Min. rpm	2.700÷3.000 min <sup>-1</sup> *			
Max. rpm	12.000 min <sup>-1</sup> *		12.500 min <sup>-1</sup> *	
Primer bulb	Yes			
Lateral chain tensioner screw	Yes			
No.of pinion teeth	7			
Weight without bar and chain	5.0 kg		5.1 kg	
Fuel tank capacity 	550 (0.55) cm <sup>3</sup> (ℓ)			
Chain oil reservoir capacity 	260 (0.26) cm <sup>3</sup> (ℓ)			
Chain speed at 133% of maximum engine power speed	3/8"	26.7 m/s	27.8 m/s	
	.325"	23.1 m/s	24.1 m/s	
<b>* No load RPM with bar and chain</b>				

Recommended guide bar and chain combinations	GSH 510 - MTH 5100 - GSH 560 - MTH 5600			
	Chain pitch and gauge	0.325" x .050"	0.325" x .058"	3/8" x .058"
Guide bar length	18" (45 cm)		20" (50 cm)	
Type of guide bar	50310206 50310214	50310207 50310215	50310121 50310233	50310177 50310234
Type of chain	95VPX072X	21BPX078X	73DPX068X	73DPX072X
Cutting length	430 mm		475 mm	



### WARNING!!!

The risk of kickback is greater when using a combination bar/chain wrong! Use only the combination bar/chain recommended and follow the instructions for sharpening.

			<b>GSH 51 MTH 510</b>	<b>GSH 56 MTH 560</b>	
Pressure level	<b>dB (A)</b>	<b>L<sub>pA av</sub></b> EN 11681-1 EN 22868	<b>99.2</b>	<b>103.3</b>	*
Uncertainty	<b>dB (A)</b>		<b>2.7</b>	<b>3.1</b>	
Measured sound power level	<b>dB (A)</b>	2000/14/EC EN 22868 EN ISO 3744	<b>110.2</b>	<b>113.4</b>	
Uncertainty	<b>dB (A)</b>		<b>2.7</b>	<b>3.0</b>	
Guaranteed sound power level	<b>dB (A)</b>	<b>L<sub>WA</sub></b> 2000/14/EC EN 22868 EN ISO 3744	<b>113.0</b>	<b>116.0</b>	
Vibration level (3/8")	<b>m/s<sup>2</sup></b>	EN 11681-1 EN 22867 EN 12096	<b>5.2 (sx)</b> <b>4.8 (dx)</b>	<b>7.3 (sx)</b> <b>7.0 (dx)</b>	*
Uncertainty	<b>m/s<sup>2</sup></b>	EN 12096	<b>1.6 (sx)</b> <b>1.7 (dx)</b>	<b>1.8 (sx)</b> <b>2.1 (dx)</b>	
Vibration level (.325")	<b>m/s<sup>2</sup></b>	EN 11681-1 EN 22867 EN 12096	<b>5.8 (sx)</b> <b>5.3 (dx)</b>	<b>7.2 (sx)</b> <b>7.0 (dx)</b>	*
Uncertainty	<b>m/s<sup>2</sup></b>	EN 12096	<b>1.6 (sx)</b> <b>1.9 (dx)</b>	<b>1.6 (sx)</b> <b>1.6 (dx)</b>	
<b>* Weighted average values (1/3 minimum rpm, 1/3 at full load, 1/3 racing).</b>					

## 11. DECLARATION OF CONFORMITY

The undersigned, **EMAK spa via Fermi, 4 - 42011 Bagnolo in Piano (RE) ITALY**  
declares under its own responsibility that the machine:

1. Type:	<b>Chainsaw</b>
2. Trademark: / Type:	<b>OLEO-MAC GSH 51 - GSH 56 / EFCO MTH 510 - MTH 560</b>
3. serial identification	<b>837 XXX 0001 - 837 XXX 9999 (GSH 51 - MTH 510) 839 XXX 0001 - 839 XXX 9999 (GSH 56 - MTH 560)</b>
complies with the requirements established by directive	<b>2006/42/EC - 2014/30/EU - 2000/14/EC</b>
conforms with the provisions of the following harmonized standards:	<b>EN ISO 11681-1 - EN ISO 11681-1/AM 1 - EN 55012</b>
conforms with the model that was awarded EC certification No.	<b>M.0303.17.5988 (GSH 51) - M.0303.17.5984 (GSH 56) M.0303.17.5990 (MTH 510) - M.0303.17.5986 (MTH 560)</b>
released from	<b>ICE v. Garibaldi, 20 - 40011 Anzola Emilia (BO) - Italy n° 0303</b>
Conformity assessment procedure followed	<b>Annex V - 2000/14/EC</b>
Measured sound power level	<b>110.2 dB(A) (GSH 51 - MTH 510) - 113.4 dB(A) (GSH 56 - MTH 560)</b>
Guaranteed sound power level:	<b>113.0 dB(A) (GSH 51 - MTH 510) - 116.0 dB(A) (GSH 56 - MTH 560)</b>
Made at:	<b>Bagnolo in piano (RE) Italy - via Fermi, 4</b>
Date:	<b>20/06/2017</b>
Technical documentation available by:	<b>the administrative headquarter. - Technical Department</b>



**Emak**<sup>®</sup>  
 Fausto Bellamico - President

## 12. WARRANTY CERTIFICATE

This machine has been designed and manufactured using the most modern techniques. The manufacturer guarantees its products for 24 months from the date of purchase, for private and hobby use. The warranty is limited to 12 months in case of professional use.

### Limited warranty

- 1) The warranty period starts on the date of purchase. The manufacturer, acting through the sales and technical assistance network, shall replace free of charge any parts proven defective in material, machining or manufacturing. The warranty does not affect the purchaser's rights as established under legislation governing the consequences of defects in the machine.
- 2) Technical personnel will undertake the necessary repairs in the minimum time possible, compatible with organizational needs.
- 3) **To make any claim under the warranty, this certificate of warranty, fully completed, bearing the dealer's stamp and accompanied by the invoice or receipt showing the date of purchase, must be displayed to the personnel authorized to approve work.**
- 4) The warranty shall be null and void if:
  - the machine has evidently not been serviced correctly

- the machine has been used for improper purposes or has been modified in any way,
  - unsuitable lubricants and fuels have been used
  - non-original spare parts and accessories have been fitted
  - work has been done on the machine by unauthorized personnel
- 5) The warranty does not cover consumables or parts subject to normal wear.
  - 6) The warranty does not cover work to update or improve the machine.
  - 7) The warranty does not cover any preparation or servicing work required during the warranty period.
  - 8) Damage incurred during transport must be immediately brought to the attention of the carrier: failure to do so shall render the warranty null and void.
  - 9) Engines of other manufacturers (Briggs & Stratton, Subaru, Honda, Kipor, Lombardini, Kohler, etc.) fitted to our machines are covered by the warranties of the engine manufacturer.
  - 10) The warranty does not cover injury or damage caused directly or indirectly to persons or things by defects in the machine or by periods of extended disuse of the machine resulting from the said defects.

MODEL \_\_\_\_\_

\_\_\_\_\_

**SERIAL No** \_\_\_\_\_

BOUGHT BY Mr. \_\_\_\_\_

\_\_\_\_\_

\_\_\_\_\_

\_\_\_\_\_

DATE \_\_\_\_\_

\_\_\_\_\_

DEALER

Do not send! Only attach to requests for technical warranties.

### 13. TROUBLESHOOTING

GB



**WARNING: Always stop unit and disconnect spark plug before performing all of the recommended remedies below except remedies that require operation of the unit.**

When you have checked all the possible causes listed and you are still experiencing the problem, see your Servicing Dealer. If you are experiencing a problem that is not listed in this chart, see your Servicing Dealer for service.

PROBLEM	POSSIBLE CAUSE	SOLUTION
Engine will not start or will run only a few seconds after starting.	<ol style="list-style-type: none"> <li>1. No spark</li> <li>2. Flooded engine.</li> </ol>	<ol style="list-style-type: none"> <li>1. Watch for spark at spark plug tip. If there is no spark, repeat test with a new spark plug (L8RTF).</li> <li>2. Follow procedure page 14 If engine still fails to start, repeat procedure with a new spark plug.</li> </ol>
Engine starts but will not accelerate properly or will not run properly at high speed.	Carburetor requires adjustment.	Contact a Servicing Dealer for carburetor adjustment.
Engine does not reach full speed and / or emits excessive smoke	<ol style="list-style-type: none"> <li>1. Check oil fuel mixture.</li> <li>2. Air filter dirty.</li> <li>3. Carburetor requires adjustment.</li> </ol>	<ol style="list-style-type: none"> <li>1. Use fresh fuel and the correct 2-cycle oil mix.</li> <li>2. Clean per instruction in Maintenance-Air Filter Section.</li> <li>3. Contact a Servicing Dealer for carburetor adjustment.</li> </ol>
Engine starts, runs and accelerates but will not idle.	Carburetor requires adjustment.	Turn idle speed screw "T" (Fig. 30) clockwise to increase idle speed. See Operation-Carburetor Adjustment.
Bar and Chain Running Hot and Smoking	<ol style="list-style-type: none"> <li>1. Chain oil tank empty.</li> <li>2. Chain tension too tight.</li> <li>3. Oiler function.</li> </ol>	<ol style="list-style-type: none"> <li>1. Oil tank should be filled every time that fuel tank is filled.</li> <li>2. Tension chain per instructions in Operation-Chain Tension section (Pag. 11).</li> <li>3. Run at full throttle 15 to 30 seconds. Stop saw and check for oil dripping from bar tip guard and guide bar. If oil is present the chain may be dull or bar may be damaged. If no oil contact a Servicing Dealer.</li> </ol>
Engine starts and runs, but chain is not rotating  <b>WARNING: Never touch the chain while the engine is running.</b>	<ol style="list-style-type: none"> <li>1. Chain brake engaged.</li> <li>2. Chain tension too tight.</li> <li>3. Guide bar and chain assembly.</li> <li>4. Chain and/or guide bar damaged.</li> <li>5. Clutch drum and/or rim sprocket damaged.</li> </ol>	<ol style="list-style-type: none"> <li>1. Release chain brake, see Operation-Chain Brake Section (Pag. 14).</li> <li>2. Tension chain per instructions in Operation-Chain Tension section (Pag. 11).</li> <li>3. Refer to Assembly-Assembling the Bar and Chain Section (Pag. 11).</li> <li>4. Refer to Maintenance-Chain and/or Maintenance-Guide Bar Section (Pag. 16).</li> <li>5. Replace if necessary - contact a Servicing Dealer.</li> </ol>



## TRADUCTION DES INSTRUCTIONS ORIGINALES

### INTRODUCTION

Pour un emploi correct de la machine et pour éviter tout accident, ne commencez pas le travail sans avoir préalablement lu ce manuel avec attention. Vous y trouverez les descriptions du fonctionnement des différents composants, ainsi que les instructions relatives aux contrôles et aux procédures d'entretien requis.

**N.B. Les descriptions et les illustrations figurant dans le présent manuel ne sont pas rigoureusement contractuelles. Le fabricant se réserve le droit d'apporter d'éventuelles modifications sans être tenu de mettre à jour à chaque fois ce manuel.**

Outre les instructions relatives au fonctionnement, le présent manuel contient des paragraphes requérant une attention particulière de votre part. Ces paragraphes sont signalés par les symboles décrits ci-dessous :

**ATTENTION** : lorsqu'il existe des risques d'accidents, de blessures corporelles voire mortelles, ou de graves dommages au matériel.

**AVERTISSEMENT** : lorsqu'il existe un risque de dommages sur l'unité ou ses composants.

#### ATTENTION

##### RISQUE DE DOMMAGES AUDITIFS

EN CONDITIONS NORMALES D'UTILISATION, CET ENGIN PEUT REPRÉSENTER POUR L'OPÉRATEUR PRÉPOSÉ UN NIVEAU D'EXPOSITION PERSONNELLE ET QUOTIDIENNE AU BRUIT ÉGALE OU SUPÉRIEURE À **85 dB (A)**

### SOMMAIRE

1. EXPLICATION DES SYMBOLES ET REGLES DE SECURITE	25
2. COMPOSANTS DE LA TRONÇONNEUSE	25
3. NORMES DE SECURITE	25
4. MONTAGE GUIDE ET CHAINE	27
5. MISE IN ROUTE	27
6. ARRET DU MOTEUR	30
7. UTILISATION	31
8. ENTRETIEN	32
9. REMISSAGE	36
10. DONNEES TECHNIQUES	37
11. DECLARATION DE CONFORMITE	38
12. CERTIFICAT DE GARANTIE	39
13. RESOLUTION DES PROBLEMES	40

## 1. EXPLICATION DES SYMBOLES ET REGLES DE SECURITE (Fig.1)

1. Lire le manuel avant d'utiliser cette machine.
2. Porter casque, visière et protège-oreilles.
3. Type de machine : **TRONÇONNEUSE.**
4. Numéro de série
5. Année de construction
6. Pompe primer
7. Frein de chaîne, activé (droit). Frein de chaîne, non activé (gauche).

## 2. COMPOSANTS DE LA TRONÇONNEUSE (Fig. 2)

1. Levier starter
2. Levier accélérateur
3. Levier accélérateur bloqué
4. Vis réglage carburateur
5. Levier frein inertiel
6. Pot d'échappement
7. Chaîne
8. Guide
9. Couvercle filtre air
10. Interrupteur de masse
11. Bouchon réservoir carburant
12. Poignée démarrage
13. Bouchon réservoir huile.
14. Pompe primer
15. Vis tendeuse de chaîne latérale
16. Poignée avant
17. Poignée arrière
18. Couver-guide

## 3. NORMES DE SECURITE

**⚠ ATTENTION - Si vous utilisez correctement la tronçonneuse, vous aurez un instrument de travail rapide, pratique et efficace; utilisé de façon non correcte ou sans adopter les précautions nécessaires, cet instrument pourrait s'avérer dangereux. Pour que votre travail soit toujours agréable et sûr, respectez scrupuleusement les mesures de sécurité reportées ici et au cours du manuel.**

**⚠ ATTENTION : Le système de mise en marche de l'unité produit un champ électromagnétique de très basse intensité. Ce champ peut créer des interférences avec certains pacemakers. Pour réduire le risque de lésions graves ou mortelles, les porteurs de pacemaker devraient consulter leur médecin et le fabricant du pacemaker avant d'utiliser cette machine.**

**⚠ ATTENTION ! – Certains règlements nationaux pourraient limiter l'utilisation de la tronçonneuse.**

1. N'utilisez la tronçonneuse que lorsque vous aurez appris à le faire. L'opérateur inexpert devrait s'exercer avant d'utiliser la machine sur le terrain.
2. La tronçonneuse ne doit être utilisée que par des adultes en bonnes conditions physiques et ayant pris connaissance.
3. N'utilisez pas la tronçonneuse si vous êtes physiquement fatigué ou sous l'influence de l'alcool, de drogues ou de médicaments.
4. Ne portez pas d'écharpe, de bracelets ou d'autres objets qui pourraient se prendre dans la machine ou dans la chaîne. Utilisez des vêtements adhérents pourvus de protection anti-coupure.
5. Portez des chaussures de protection antidérapantes, des gants, des lunettes, des protège-oreilles et un casque antichoc.
6. Veillez à ce que personne ne se trouve dans le rayon d'action de la tronçonneuse, pendant la mise en route et la coupe.
7. Ne commencez pas la coupe tant que l'espace dans lequel vous devez travailler n'est pas totalement propre et libre. Ne coupez pas à proximité de fils électriques.
8. Coupez toujours en position stable et sûre.
9. N'utilisez la tronçonneuse que dans des endroits bien aérés, ne l'utilisez pas dans des atmosphères explosives ou inflammables ou dans des endroits clos.
10. Ne touchez pas à la chaîne et n'effectuez aucun entretien lorsque le moteur tourne.
11. Il est interdit d'appliquer sur la prise de force de la tronçonneuse des dispositifs non fournis par le constructeur.
12. Veillez à ce que les étiquettes portant les signaux de danger et de sécurité soient toujours en parfait état. Si elles sont

- détériorées, remplacez-les sans délai (Fig. 1).
13. N'utilisez pas la tronçonneuse dans un but autre que ceux indiqués dans le manuel (voir pag. 31).
  14. N'abandonnez pas la machine moteur en marche.
  15. Contrôlez la tronçonneuse tous les jours pour vous assurer que tous les dispositifs, de sécurité et autres, fonctionnent bien.
  16. Suivez toujours nos instructions pour les opérations d'entretien.
  17. Ne travaillez pas avec une tronçonneuse endommagée, mal réparée, mal montée ou modifiée arbitrairement. Évitez d'enlever, de détériorer ou de neutraliser les dispositifs de sécurité. Utilisez uniquement des guides de la longueur indiquée dans le tableau.
  18. N'effectuez jamais par vous-mêmes des opérations ou des réparations qui ne sont pas d'entretien normal. Adressez-vous seulement à des ateliers spécialisés et autorisés.
  19. Ne mettez pas la tronçonneuse en marche sans le carter de la chaîne.
  20. Si votre tronçonneuse ne marche plus, ne l'abandonnez pas dans la nature ! Appelez votre revendeur habituel, qui saura résoudre la situation.
  21. Ne prêtez votre tronçonneuse qu'à des personnes expertes qui sachent la faire fonctionner correctement. Donnez-leur aussi le manuel avec le mode d'emploi à lire avant de commencer à travailler.
  22. S'adresser à un revendeur pour toutes autres demandes ou pour une intervention prioritaire.
  23. Conservez ce manuel soigneusement et consultez-le à chaque fois que vous devrez utiliser la machine.
  24. Se rappeler que le propriétaire ou l'opérateur sont responsables des accidents ou des dommages à tiers, aux biens de leur propriété.

### VÊTEMENTS DE PROTECTION

**⚠** La plupart des accidents avec la tronçonneuse sont dus à la chaîne qui percute l'opérateur. **Toujours porter des vêtements de protection homologués pour utiliser une tronçonneuse.** Le port de vêtements de protection n'élimine pas les risques de blessure mais il peut en réduire les effets en cas d'accident. Demandez conseil à votre

revendeur habituel pour choisir le vêtement qui répond le mieux à vos exigences.

Assurez-vous que le vêtement choisi ne gêne pas les mouvements. Portez un vêtement anti-coupe près du corps. **La veste, la salopette et les jambières de protection anti-coupe sont l'idéal.** Ne portez pas de vêtements, écharpes, cravates ou bijoux qui risqueraient de s'accrocher dans le bois ou les buissons. Nouez les cheveux longs et protégez-les (par exemple avec un foulard, un béret, un casque, etc...).

**Portez des chaussures ou des bottes de protection avec semelles antiglisse et pointes en acier.**

**Portez un casque de protection** dans les endroits où des objets risquent de tomber.

**Portez des lunettes ou une visière de protection!**

**Utilisez des dispositifs protégeant contre les émissions sonores; casque ou boules dans les oreilles.** Rappelez-vous d'être extrêmement prudents lorsque vous utilisez ce genre de protection car la perception des signaux acoustiques de danger (cris, alarmes, etc...) est réduite.

**Portez des gants anti-coupe.**

#### 4. MONTAGE GUIDE ET CHAÎNE

**⚠ ATTENTION - Toujours porter des gants durant les opérations d'assemblage. Utiliser exclusivement la barre et la chaîne préconisées par le fabricant (page 37).**

- Tirez la protection (Fig. 3) en direction de la poignée antérieure pour vérifier que le frein de chaîne n'est pas enclenché.
- Otez les écrous (A) et démontez le carter de chaîne (B, Fig. 4).
- Éliminez l'épaisseur en plastique calée sur les prisonniers du guide (C, Fig. 5).
- Placez l'encliquetage tendeur de chaîne (D, Fig. 5) en fin de course, en dévissant toute la vis du tendeur de chaîne (L).
- Placez le guide (F, Fig. 5) sur les prisonniers (N).
- Montez la chaîne (H, Fig. 6) dans le pignon (E) et à la rainure du guide (M). Faites attention au sens de rotation de la chaîne (Fig. 8).
- Posez le carter de la chaîne en l'encastant à sa

place et, en le tenant bien appuyé contre la barre, vissez la vis du tendeur de chaîne (L, Fig. 7) afin que l'encliquetage (D, Fig. 5) entre dans le trou (G) de la barre.

- Montez le carter protège-chaîne et les écrous correspondants sans les serrer.
- Tendez la chaîne à l'aide de la vis de tension de la chaîne (L, Fig. 7).
- Serrez définitivement le écrou de fixation du carter protège-chaîne en soulevant la pointe de guide (Fig. 9). Le couple de serrage de 1,5 kgm (15 Nm). La chaîne doit être réglée, c'est à dire bien tendue et à même de glisser facilement sous la pression de la main (Fig. 10).
- La chaîne est correctement tendue lorsque vous pouvez la soulever de quelques millimètres (Fig. 10).

**⚠ ATTENTION - Toujours s'assurer que la chaîne est tendue correctement.** Si la chaîne est détendue, le risque de contre-coup augmente et la chaîne peut sortir de la rainure de la barre; ce genre de situation peut blesser l'opérateur et endommager la chaîne. Si la chaîne est détendue, elle risque de s'user plus rapidement et entraîne également l'usure de la barre et du pignon. Au contraire, une chaîne trop tendue entraîne la surcharge du moteur qui risque d'être endommagé. **La chaîne doit être tendue correctement pour assurer une coupe parfaite, la sécurité durant l'emploi et sa longévité.** La durée de la chaîne dépend de sa tension et de sa lubrification.

#### 5. MISE EN ROUTE

##### CARBURANT

**⚠ ATTENTION : l'essence est un carburant extrêmement inflammable. Manipulez l'essence ou le mélange de carburant avec une extrême précaution. Ne fumez pas ou ne produisez pas de flammes à proximité du carburant ou de la tronçonneuse.**

- Pour réduire le risque d'incendie et de brûlures, manipulez le carburant avec précaution. Il est extrêmement inflammable.
- Secouez et mettez le carburant dans un récipient homologué.
- Mélangez le carburant en plein air dans un

endroit sans risque d'étincelles ou de flammes.



- Placez au sol, coupez le moteur et laissez-le refroidir avant de procéder au ravitaillement.
- Desserrez lentement le bouchon du carburant pour évacuer la pression et pour éviter que le carburant ne se déverse.
- Serrez fermement le bouchon après le ravitaillement. Sous l'effet des vibrations, le bouchon risque de se desserrer et le carburant de s'échapper.
- Essuyez le carburant qui aurait pu s'échapper. Écartez l'outil à 3 m du lieu de ravitaillement avant de démarrer le moteur.
- Ne tentez en aucun cas de brûler le carburant déversé.
- Ne fumez pas durant le ravitaillement ou lorsque la tronçonneuse est en marche.
- Stockez le carburant dans un endroit frais, sec et bien aéré.
- Ne stockez pas le carburant dans un endroit présentant des feuilles sèches, de la paille, du papier, etc.
- Conservez l'outil et le carburant dans un endroit où les vapeurs de carburant n'entreront pas en contact avec des étincelles ou des flammes libres, des ballons d'eau pour le chauffage, des moteurs électriques ou des interrupteurs, des fours, etc.
- N'ôtez pas le bouchon du réservoir lorsque le moteur tourne.
- N'utilisez pas de carburant pour les opérations de nettoyage.
- Assurez-vous de ne pas déverser de carburant sur vos vêtements.

Cet appareil est actionné par un moteur 2 temps et nécessite le prémélange d'essence et d'huile pour moteurs 2 temps. Prémélangez l'essence sans plomb et l'huile pour moteurs 2 temps dans un récipient propre homologué pour contenir de l'essence.

**CARBURANT CONSEILLÉ :** CE MOTEUR EST CERTIFIÉ POUR ÊTRE ALIMENTÉ EN ESSENCE SANS PLOMB POUR USAGE AUTOMOBILIE AVEC NIVEAU D'OCTANES 89 ([R + M] / 2) OU SUPÉRIEUR.

Mélangez l'huile pour moteurs 2 temps avec l'essence en suivant les instructions sur l'emballage. Il est conseillé d'utiliser de l'huile pour moteurs 2 temps Oleo-Mac/Efco à **2% (1:50)** spécialement formulée pour tous les moteurs 2 temps refroidis par air.

Les proportions correctes huile/essence illustrées dans la notice sont adaptées à l'utilisation d'huile pour moteurs Oleo-Mac/Efco **PROSINT 2** et **EUROSINT 2** ou d'huile moteur de haute qualité équivalente (**spécifications JASO FD ou ISO L-EGD**).

ESSENCE	HUILE	
		
	2% - 50:1	
ℓ	ℓ	(cm <sup>3</sup> )
1	0,02	(20)
5	0,10	(100)
10	0,20	(200)
15	0,30	(300)
20	0,40	(400)
25	0,50	(500)

**⚠ ATTENTION : NE PAS UTILISER D'HUILE POUR AUTOMOBILES OU POUR MOTEURS HORS-BORD 2 TEMPS.**

**⚠ ATTENTION :**

- **N'achetez que la quantité de carburant nécessaire en fonction des consommations personnelles ; n'en achetez pas plus qu'il n'en sera utilisé en un ou deux mois ;**
- **Conservez l'essence dans un récipient hermétique, dans un endroit frais et sec.**

**⚠ ATTENTION - Pour le mélange, ne jamais utiliser un carburant dont le pourcentage d'éthanol dépasse 10% ; sont admis le gazole (mélange essence/éthanol) avec un pourcentage d'éthanol jusqu'à 10% ou le carburant E10.**

**NOTA** - Ne préparer que la quantité requise de mélange ; ne pas laisser le mélange dans le réservoir ou dans le bidon trop longtemps. Il est conseillé d'utiliser le stabilisateur pour carburant **Emak ADDITIX 2000** réf. 001000972 pour conserver le mélange pendant 12 mois.

**Essence alkylée**

**⚠ ATTENTION - L'essence alkylée ne présente pas la même densité que l'essence normale. Par conséquent, régler différemment la vis H des moteurs mis au point avec l'essence normale. Pour cette opération, s'adresser à un centre après-vente agréé.**

## RAVITAILLEMENT

Secouez le jerry can du mélange avant de procéder au ravitaillement.

**⚠ ATTENTION : respectez les consignes de sécurité sur la manipulation du carburant. Coupez toujours le moteur avant de procéder au ravitaillement. Ne faites jamais l'appoint de carburant lorsque le moteur tourne ou s'il est encore chaud. Restez à au moins 3 m de la zone de ravitaillement avant de démarrer le moteur. NE FUMEZ PAS !**

1. Nettoyez la surface autour du bouchon de carburant afin d'éviter toute contamination.
2. Dévissez lentement le bouchon de carburant.
3. Versez soigneusement le mélange de carburant dans le réservoir. Évitez de renverser du carburant.
4. Avant de remonter le bouchon de carburant, nettoyez et inspectez le joint d'étanchéité.
5. Remontez immédiatement le bouchon de carburant et serrez-le manuellement. Essayez tout déversement de carburant

**⚠ ATTENTION : vérifiez si le carburant fuit et, le cas échéant, éliminez les fuites avant d'utiliser la machine. Si nécessaire, faites appel au service d'assistance auprès de votre revendeur.**

## REPLISSAGE DU RESERVOIR D'HUILE ET LUBRIFICATION DE LA CHAÎNE

La lubrification de la chaîne se fait à travers une pompe automatique qui n'a besoin d'aucun entretien. La pompe à huile est tarée à l'origine pour fournir la quantité d'huile suffisante même dans de dures conditions de travail. D'éventuelles pertes d'huile sont normales pendant la coupe du bois mince.

- Avant de remplir le réservoir nettoyer autour du bouchon (13, Fig. 2) afin qu'aucune impureté ne pénètre dans le réservoir.
- Pendant l'utilisation, contrôler le niveau d'huile à disposition.
- Après le remplissage faire tourner le moteur à vide 2 ou 3 fois de façon à rétablir le bon refoulement de l'huile.
- En cas de panne, ne pas intervenir mais s'adresser à un revendeur spécialisé.

Une bonne lubrification de la chaîne pendant les phases de coupe réduit au minimum l'usure

entre la chaîne et le guide, ce qui en assure une plus longue durée. Utilisez toujours de l'huile de bonne qualité.

**⚠ ATTENTION - N'utilisez surtout pas d'huile récupérée!**

Utiliser toujours lubrifiant biodégradable (eco-lube Oleo-Mac/Efco) spécifique pour barre et chaîne dans le plus grand respect de la nature, de la santé de l'opérateur et de la durée des composants de la tronçonneuse.

**⚠ Avant de mettre le moteur en marche, veillez à ce que la chaîne ne soit pas en contact avec des corps étrangers.**

**⚠ La chaîne ne doit pas tourner quand le moteur est au ralenti. Sinon, contactez un Centre de Service Agréé de procéder à une vérification et corriger le problème.**

**⚠ Quand le moteur tourne, saisissez toujours fermement la poignée avant de la main gauche et la poignée arrière de la main droite (Fig. 11).**

- Ne pas se pencher et ne pas couper au-dessus de la hauteur des épaules ; il est difficile de contrôler et éviter les forces tangentielles (kickback) en tenant la tronçonneuse par le haut.
- **Ne vous approchez pas de la chaîne ni du pot d'échappement.**
- **Ces directives s'appliquent également aux gauchers. Conservez la position de coupe correcte.**

**⚠ L'exposition aux vibrations peut entraîner des problèmes aux personnes souffrant de troubles circulatoires ou de nature nerveuse. Demander l'avis d'un médecin en cas de symptômes physiques tels qu'engourdissements, absence de sensibilité, réduction de la force normale ou variations de la couleur de la peau. Ces symptômes se présentent normalement au niveau des doigts, mains ou poignets.**

### Moteur noyé

- Basculez l'interrupteur de marche/arrêt sur la position **STOP** (0) (B, Fig. 13).

F

- Dévissez la vis sur le capot (A, Fig. 25).
- Retirez le capot.
- Faites levier sur la coiffe de bougie et retirez-la.
- Dévissez et séchez la bougie.
- Ouvrez l'accélérateur à fond.
- Actionnez le lanceur à plusieurs reprises de façon à vider la chambre de combustion.
- Remontez la bougie et connectez la coiffe en l'enfonçant **fermement**.
- Basculer l'interrupteur de marche/arrêt sur I, la position de démarrage.
- Passez le levier d'étrangleur sur la position OUVRIER, même si le moteur est froid.
- Démarrez à présent le moteur.

**⚠ ATTENTION** – Ne jamais mettre la tronçonneuse en marche si la barre, la chaîne et le carter d'embrayage (frein chaîne) ne sont pas montés – l'embrayage pourrait se **détendre** ce qui pourrait mettre l'**opérateur en danger** (risque de blessures).

### DEMARRAGE DU MOTEUR

**Le frein de chaîne doit être appliqué au démarrage de la tronçonneuse. Enclenchez le frein de chaîne en poussant le levier de frein de chaîne / protecteur de main vers l'avant (en direction du guide-chaîne) en position de freinage (Fig. 12).** Remplir le carburateur en agissant sur la pompe (A, Fig. 14). Tournez l'interrupteur (B, Fig. 13) sur la position "I". Tirez le levier du starter (D, Fig. 14) CLOSE. Posez la tronçonneuse sur le terrain en position stable. Faites attention à ce que la chaîne tourne librement et n'aille pas frapper des corps étrangers. Avant de démarrer le moteur, vérifiez que la chaîne n'est en contact avec aucun objet. Ne tentez jamais de démarrer la tronçonneuse avec le guide engagé dans un sillon de coupe. Serrez bien dans la main gauche l'avant de la poignée et enfitez le pied droit sur la base de la poignée arrière (Fig. 15). Tirer plusieurs fois sur la corde de démarrage jusqu'à obtenir la **première explosion**. Ramener le levier starter (D, Fig. 14) sur la position d'origine "OPEN". Procéder au démarrage en tirant sur la corde. Une fois le moteur démarré, désactiver le frein de la chaîne et **attendre quelques secondes**. Actionnez le levier de l'accélérateur (C, Fig. 13) pour débloquer le dispositif de semi-accélération automatique. **Débloquez le frein (Fig. 3).**

**⚠ ATTENTION - Quand le moteur est chaud n'utilisez pas le starter pour le faire démarrer.**

**⚠ ATTENTION - N'utilisez le dispositif demi-accélération que dans la phase de démarrage du moteur.**

### RODAGE DU MOTEUR

Le moteur atteint sa puissance maximale au bout de 5 à 8 heures de travail.

Au cours de cette période de rodage, ne faites pas tourner le moteur à vide au régime maxi pour lui éviter excessif efforts de fonctionnement.

**⚠ ATTENTION! - Durant le rodage, ne modifiez pas la carburation en vue d'augmenter la puissance; vous risquez seulement d'endommager le moteur.**

**REMARQUE : il est normal qu'un moteur neuf dégage de la fumée durant et après la première utilisation.**

### RODAGE DE CHAÎNE

Effectuez toujours le réglage lorsque la chaîne est froide. Faites tourner la chaîne à la main en la lubrifiant avec de l'huile supplémentaire. Mettez le moteur en marche et faites tourner la chaîne à un régime moteur moyen en contrôlant le bon fonctionnement de la pompe de l'huile. Arrêtez le moteur, réglez la tension de la chaîne. Redémarrez le moteur, effectuez quelques coupes sur un tronç. Arrêtez de nouveau le moteur et reconstrôlez la tension. Recommencez l'opération jusqu'à ce que la chaîne soit au maximum de son relâchement. Ne touchez pas le terrain directement avec la chaîne.

**⚠ ATTENTION - Ne touchez jamais à la chaîne si le moteur tourne. Ne touchez pas le terrain directement avec la chaîne.**

## 6. ARRET DU MOTEUR

Lâchez le levier de l'accélérateur (C, Fig. 13) et laissez le moteur tourner au ralenti. Arrêtez le moteur en replaçant l'interrupteur de masse (B) en position (0) STOP.

**⚠ Ne posez pas la tronçonneuse sur le terrain si la chaîne tourne encore.**

## 7. UTILISATION

### FREIN DE CHAÎNE

Le frein de chaîne inertiel est un dispositif qui donne une grande sécurité lors de l'utilisation de la tronçonneuse. Il protège l'utilisateur des dangereux contrecoups éventuels qui pourraient se produire durant les diverses phases de travail. Il se met en marche, provoquant le blocage instantané de la chaîne, lorsque la main de l'opérateur fait pression sur le levier (actionnement manuel), ou bien automatiquement par inertie lorsque l'on pousse la protection vers l'avant (Fig. 16) en cas de brusque contrecoup (actionnement inertiel). Le frein de chaîne se débloque en tirant le levier vers l'opérateur (Fig. 3).

### CONTROLE DU FONCTIONNEMENT DU FREIN

Lors du contrôle de la machine avant de l'utiliser, vérifiez l'état de fonctionnement du frein en effectuant les opérations ci dessous:

1. Lancez le moteur et saisissez fermement la poignée des deux mains.
2. Tout en tirant la manette de commande des gaz pour maintenir la chaîne en opération, poussez le levier de frein vers le bas et l'avant avec le dos de la main gauche (Fig. 11).
3. Lorsque le frein fonctionne et que la chaîne est arrêtée, retirez la main de la manette des gaz.
4. Débloquez le frein (Fig. 3).

**ENTRETIEN DU FREIN:** Veillez à ce que le mécanisme du frein de chaîne soit toujours propre et lubrifiez l'ensemble des leviers. Vérifiez l'usure du ruban du frein. L'épaisseur minimum doit être de **0.30 mm**.

### USAGES INTERDITS

**⚠ ATTENTION - Suivre les règles de sécurité.**

Cette tronçonneuse a été conçue et réalisée pour l'ébranchage et l'entretien d'arbres ou d'arbustes. Il est interdit de couper d'autres matériaux. Les vibrations et le rebond sont en effet différents et les mesures de sécurité ne seraient pas respectées. N'utilisez pas la tronçonneuse comme levier pour lever, déplacer ou casser quoi que ce soit. Il est interdit de brancher sur la prise de force de la tronçonneuse des outils ou des applications autres que ceux que le constructeur a indiqués.

### PRÉCAUTIONS POUR LA ZONE DE TRAVAIL

- Ne vous approchez pas des fils électriques.
- Travaillez uniquement lorsque la visibilité et l'éclairage sont suffisants.
- Coupez le moteur avant de poser la tronçonneuse.
- Soyez particulièrement attentif et vigilant lorsque vous portez des casques de protection car de tels équipements peuvent limiter la capacité d'entendre les signaux sonores d'avertissement (alarmes, signaux d'avertissement, etc.)
- Soyez particulièrement prudents lorsque vous travaillez sur les terrains en pente ou accidentés.
- Ne coupez pas en dessus dans la hauteur de poitrine, car il est toujours plus difficile de contrôler une tronçonneuse placée en hauteur en cas de rebond.
- **N'utilisez pas la tronçonneuse sur une échelle.**
- Arrêtez la tronçonneuse si la chaîne heurte un corps étranger. Inspectez la tronçonneuse et effectuez les réparations si nécessaire.
- Éliminez la poussière et le sable déposés sur la tronçonneuse. Même une très faible quantité de crasse peut très rapidement émousser une chaîne et augmenter le risque de rebond.
- Veillez à ce que les poignées soient toujours propres et sèches.
- Pendant la coupe d'un tronc ou d'une branche en tension, faites attention à ne pas vous faire surprendre par le relâchement instantané de la tension du bois.
- Faites extrêmement attention en coupant les petites branches ou les arbustes qui peuvent bloquer la chaîne ou être projetés contre vous et vous faire perdre l'équilibre.

### UTILISATION

**⚠ ATTENTION - Abattre un arbre est une opération qui nécessite une certaine expérience. N'essayez pas d'abattre des arbres si vous n'en avez pas encore l'expérience. ÉVITEZ TOUTES LES OPÉRATIONS POUR LESQUELLES VOUS NE VOUS SENTEZ PAS QUALIFIÉS ! Il est recommandé aux opérateurs inexperts de ne pas abattre d'arbres dont le tronc présente un diamètre supérieur à la longueur de la barre. Si l'on utilise la tronçonneuse pour la première fois, il faut d'abord s'exercer sur des petites bûches pour**

F

**se familiariser avec le fonctionnement. En coupe, utilisez la machine au maximum de sa puissance. Ne forcez pas sur les poignées ; la machine doit descendre en coupe de son propre poids et vous permettre de couper sans le moindre effort.**

**⚠ ATTENTION - Ne coupez jamais si le temps est mauvais, si la visibilité est insuffisante ou si la température est trop basse ou trop élevée. Assurez vous qu'il n'y a pas de branches sèches qui puissent tomber.**

### ABATTAGE

Lors des opérations d'abattage et de découpe, utilisez le harpion comme point d'appui. Avant de commencer à couper, étudiez bien l'arbre, le terrain et ses environs. Dégagez la zone de travail. Préparez un vaste espace pour pouvoir reculer lorsque l'arbre commencera à tomber (Fig. 17). Otez les branches qui seraient éventuellement sur environ deux mètres de la partie basse du tronc. Effectuez en sens perpendiculaire par rapport à la plante, une entaille correspondant à environ 1/4 du diamètre du tronc, en commençant du côté où vous prévoyez la chute de l'arbre (1 - Fig. 18). A environ 10 cm un peu plus haut, commencez une seconde entaille qui rejoint la première. Otez ainsi un coin qui donnera la direction vers laquelle l'arbre tombera (2 - Fig. 18).

Pratiquez maintenant, du côté opposé à la première coupe, la véritable entaille d'abattage qui devra être positionnée 4-5 cm plus haut par rapport à la première entaille (3 - Fig. 18).

Laissez toujours une charnière (A - Fig. 19-24) qui permette le contrôle de la direction de chute. Mettez un coin dans l'entaille d'abattage, avant que l'arbre ne commence à bouger, de façon à éviter que le guide de la tronçonneuse ne reste bloqué.

Si le diamètre du tronc est supérieur à la longueur du guide, effectuez l'entaille d'abattage suivant la séquence indiquée sur la Fig. 19.

### EBRANCHEMENT

- Commencez toujours par le diamètre le plus grand en allant vers la pointe pour ébrancher la plante ou d'éventuelles branches secondaires.
- Cherchez toujours la position la plus stable et la plus sûre avant d'accélérer la tronçonneuse.

Maintenez l'équilibre, s'il le faut, en appuyant le genou plus proche du tronc.

- Tenez la tronçonneuse appuyée au tronc pour ne pas trop vous fatiguer, en tournant sur le côté gauche ou sur le côté droit suivant la position de la branche à couper (Fig. 20).
- Lorsque vous avez affaire à des branches sous tension, cherchez une position sûre pour vous protéger d'éventuels coups de fouet. Commencez toujours la coupe du côté opposé au pli.
- Pour la coupe de branches de gros diamètre, utiliser le harpon.

**⚠ ATTENTION - N'utilisez pas le bord supérieur de la pointe du guide, surtout pour ébrancher, parce que vous courez le risque de recevoir un contrecoup.**

### DEBITAGE

Avant de commencer à débiter le tronc, vérifiez la façon dont il est appuyé au sol. Ceci permet de le couper de façon correcte en évitant ainsi que le guide reste coincé au milieu du tronc.

- Commencez à couper la partie supérieure pour environ 1/3 du diamètre (1 - Fig. 21). Terminez la coupe par la partie inférieure (2 - Fig. 21). De cette façon la coupe sera parfaite et le guide ne restera pas coincé dans le tronc.
- Commencez à couper la partie inférieure pour environ 1/3 du diamètre (1 - Fig. 22). Terminez la coupe par la partie supérieure (2 - Fig. 22).

**⚠ ATTENTION - Si le guide coince dans une entaille, arrêtez le moteur, soulevez le tronc et changez-le de position (Fig. 23). Ne tentez pas de libérer la chaîne en tirant sur la poignée de la tronçonneuse.**

## 8. ENTRETIEN

**⚠ ATTENTION - Pendant les opérations d'entretien, portez toujours des gants. Laissez refroidir le moteur avant d'intervenir.**

### AFFUTAGE DE LA CHAÎNE

Le pas de la chaîne (Fig. 25) est de .325" ou 3/8". Portez des gants de protection lorsque vous affûtez la chaîne à l'aide d'une lime ronde de Ø 4.8 mm (3/16") ou Ø 5.5 mm (7/32").



**⚠ ATTENTION - Ne montez pas la chaîne .325" sur le pignon de la 3/8" ou vice versa.**

Affûtez toujours en faisant mordre la lime en poussant vers l'extérieur et en ayant soin de respecter les valeurs reportées sur la Fig. 25. Après l'affûtage, les gouges doivent être toutes de la même largeur et de la même longueur les unes par rapport aux autres.

**⚠ ATTENTION - Il faut affûter la chaîne à chaque fois que les copeaux présentent des dimensions très réduites semblables à de la sciure.**

Tous les 3-4 affûtages, contrôlez et éventuellement "abattez" le nez de gouge à l'aide d'une lime plate et du gabarit fourni en option, après quoi, arrondissez l'angle antérieur (Fig. 26).

**⚠ ATTENTION - Le réglage correct du nez de gouge est aussi important que l'affûtage correct de la chaîne.**

#### GUIDE

Les guides munis de pignon à la pointe doivent être lubrifiés avec de la graisse, en se servant d'une seringue pour lubrification.

Retournez le guide toutes les 8 heures de travail pour répartir l'usure.

Nettoyez la rainure du guide et le trou de lubrification, à l'aide d'un racloir fourni en option. Contrôlez que les rainures du guide soient parallèles et si cela s'avère nécessaire, ébavurez les bords avec une lime plate.

**⚠ ATTENTION - Ne montez jamais une chaîne neuve sur un pignon usé.**

**FILTRE A AIR** - Tourner le pommeau (A, Fig. 27) et contrôlez tous les jours le filtre à air (B). Ouvrir le filtre (B) en intervenant sur les deux languettes (C). Nettoyer avec du dégraissant Emak cod. 001101009A, laver avec de l'eau et souffler à distance avec de l'air comprimé de l'intérieur vers l'extérieur. Remplacer le filtre s'il est fortement colmaté ou endommagé.

**⚠ ATTENTION!** - Lors du remontage du filtre (B), s'assurer de le faire entrer parfaitement dans son logement.

**FILTRE CARBURANT** - Vérifiez périodiquement les conditions du filtre carburant; s'il est trop sale, mieux vaut le changer. (Fig. 28).

#### POMPE A HUILE (automatique réglable)

- Le débit est préréglé à l'usine. L'opérateur peut varier la distribution de l'huile selon les exigences, au moyen de la vis de réglage (Fig. 32). Il n'y a débit d'huile que lorsque la chaîne est en mouvement.

**⚠ ATTENTION - N'utilisez jamais d'huile de récupération.**

**GRUPE DEMARREUR** - Veillez à ce que les fentes de refroidissement du carter du groupe démarreur soient toujours dégagées. Utilisez un pinceau ou de l'air comprimé.

**MOTEUR** - Nettoyez régulièrement les ailettes du cylindre à l'aide d'un pinceau ou d'air comprimé. L'accumulation d'impuretés sur le cylindre peut provoquer des surchauffes nuisibles au bon fonctionnement du moteur.

**BOUGIE** - Il est recommandé de nettoyer périodiquement la bougie et de contrôler la distance entre les électrodes (Fig. 29).

Utiliser une bougie TORCH L8RTF ou autre marque avec degré thermique équivalent.

**FREIN DE CHAINE** - Si le frein de chaîne ne fonctionne pas bien, démontez le carter protège-chaîne et nettoyez à fond les éléments du frein. Lorsque le ruban du frein de chaîne est usé et/ou déformé, remplacez-le.

**GUIDE** - Tournez le guide et vérifiez que les trous de lubrification sont dégagés d'éventuelles impuretés.

N'utilisez pas de carburant (mélange) pour les opérations de nettoyage.

#### CARBURATEUR

Avant d'effectuer le réglage du carburateur, nettoyez le convoyeur de mise en route et le filtre à air (Fig. 27) et faites chauffer le moteur.

Le carburateur (Fig.30) est réglé en usine avec la vis L (ouverture à environ 1+1/2 tour) et la vis H (ouverture à environ 1+1/2 tour).

F

La vis de ralenti T est réglée de façon à laisser une bonne marge de sécurité entre le régime de ralenti et le régime d'embrayage.

La vis L doit être réglée de façon à ce que le moteur réponde promptement aux accélérations brusques et qu'elle permette un bon fonctionnement au ralenti.

La vis H doit être réglée de façon à ce que le moteur puisse disposer de la puissance maximale pendant la coupe.

**⚠ ATTENTION - Des variations climatiques et altimétriques peuvent provoquer des variations de carburation. Personne ne doit rester près de la tronçonneuse pendant que celle-ci travaille, ni pendant la phase de réglage de la carburation.**

#### ENTRETIEN EXCEPTIONNEL

À la fin de la saison, si l'appareil a fait l'objet d'un usage intense, ou tous les deux ans en cas d'usage normal, faites contrôler l'appareil par un technicien spécialisé du réseau d'assistance.

**⚠ ATTENTION! – Les opérations de maintenance et d'entretien non reprises dans le présent manuel devront être effectuées par un agent agréé.** Pour garantir le fonctionnement régulier de la tronçonneuse, on veillera à ce que les remplacements éventuels de pièces détachées soient effectués exclusivement avec des **PIÈCES DE RECHANGE D'ORIGINE**.

**⚠ Toute modification non autorisée et/ou utilisation d'accessoires non originaux peut entraîner des blessures graves ou mortelles à l'opérateur ou à des tiers.**

#### TRANSPORT

Transportez la tronçonneuse avec le moteur coupé, après avoir positionné le guide vers l'arrière et muni du protège guide (Fig. 31).

**⚠ ATTENTION –** Pour transporter la tronçonneuse sur un véhicule, s'assurer qu'elle y est fixée correctement à l'aide de sangles. Transporter la tronçonneuse en position horizontale et s'assurer également que les consignes pour le transport de ce genre de machines ont été respectées.

## TABLEAU D'ENTRETIEN

Les intervalles d'entretien signalés ici sont valables exclusivement en cas de conditions normales de fonctionnement. Si le travail quotidien s'avère plus contraignant que prévu, réduire en conséquence les intervalles d'entretien.		Avant toute utilisation	Après chaque ravitaillement	Une fois par semaine	En cas de dommage ou de défaut
Machine complète	Vérifier : fuites, craquelures et niveau d'usure	X	X		
Contrôles : interrupteur, starter, levier d'accélérateur et levier de blocage d'accélérateur	Vérifier le fonctionnement	X	X		
Frein de chaîne	Vérifier le fonctionnement	X	X		
	Faire contrôler par un technicien agréé				X
Réservoir à carburant et réservoir d'huile	Vérifier : fuites, craquelures et niveau d'usure	X	X		
Filtre à carburant	Vérifier et nettoyer			X	
	Remplacer l'élément filtrant				X
Lubrifier la chaîne	Contrôler le rendement	X	X		
Chaîne	Vérifier : dommage, affûtage et niveau d'usure	X	X		
	Contrôler la tension	X	X		
	Affûter : contrôler la profondeur du passage				X
Barre	Vérifier : dommages et niveau d'usure	X	X		
	Nettoyer la cannelure et le conduit de l'huile	X			
	Tourner, lubrifier le pignon et ébarber			X	
	Remplacer				X
Pignon	Vérifier : dommages et niveau d'usure			X	
	Remplacer				X
Embrayage	Vérifier : dommages et niveau d'usure			X	
	Remplacer				X
Disp. d'arrêt chaîne	Vérifier : dommages et niveau d'usure	X	X		
	Remplacer				X
Toute la visserie accessible (sauf vis de carburateur)	Vérifier et resserrer			X	
Filtre à air	Nettoyer	X			
	Remplacer				X
Ailettes cylindre et fentes du carter de démarrage	Nettoyer			X	
Corde de démarrage	Vérifier : dommages et niveau d'usure			X	
	Remplacer				X
Carburateur	Contrôler le ralenti (la chaîne ne doit pas tourner au ralenti)	X	X		
Bougie	Contrôler la distance des électrodes			X	
	Remplacer				X
Système anti-vibrations	Vérifier : dommages et niveau d'usure			X	

## 9. REMISSAGE

Lorsque l'appareil doit être entreposé pendant de longues périodes :

- Vidanger et nettoyer les réservoirs à carburant et huile dans un endroit bien aéré.
- Éliminer le carburant et l'huile conformément aux normes et en respectant l'environnement.
- Pour vider le carburateur, démarrer le moteur et en attendre l'arrêt (le fait de laisser du mélange dans le carburateur pourrait endommager les membranes).
- Enlever, nettoyer et vaporiser de l'huile de protection sur la chaîne et la barre.
- Nettoyer à fond les fentes de refroidissement du carter du groupe de démarrage, le filtre de l'air (Fig. 27) et les ailettes du cylindre.
- Ranger l'engin dans un endroit sec, de préférence sans le mettre en contact direct avec le sol, loin de toute source de chaleur et avec les réservoirs vides.
- Les procédures de mise en service après un remisage hivernal sont les mêmes que pour le démarrage normal de la machine (page 27).

### PROTECTION DE L'ENVIRONNEMENT

La protection de l'environnement est un aspect fondamental et prioritaire de l'utilisation de la machine, au bénéfice de la vie civile et sociale du contexte dans lequel on vit.

- Éviter d'être un élément de gêne pour le voisinage.
- Respecter scrupuleusement les règlements locaux en matière d'élimination des emballages, huiles, essence, batteries, filtres, pièces endommagées ou tout élément à fort impact écologique ; ces résidus ne doivent pas être jetés aux ordures, mais doivent être séparés et remis aux centres de collecte spécialisés qui pourvoient au traitement des déchets.

### Démolition et élimination

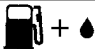

Lors de la mise hors service, ne pas abandonner la machine dans la nature, mais s'adresser à un centre de collecte.

Une grande partie des matériaux éliminés est recyclable ; tous les métaux (acier, aluminium, laiton) peuvent être remis à un ferrailleur. Pour plus d'informations contacter le centre de récupération des déchets de votre zone. L'élimination des dérivés de démolition de la machine devra se faire dans le respect de

l'environnement, en évitant de polluer le sol, l'air et l'eau.

**Dans tous les cas, respecter les législations et règlements en vigueur en la matière.**

## 10. DONNEES TECHNIQUES

	GSH 51 MTH 510	GSH 56 MTH 560	
Cylindrée	50.9 cm <sup>3</sup>	54.5 cm <sup>3</sup>	
Moteur	2 temps Emak		
Puissance	2.2 kW	2.6 kW	
Nombre de tours/min au ralenti	2.700÷3.000 min <sup>-1</sup> *		
Nombre de tours/min à plein régime	12.000 min <sup>-1</sup> *	12.500 min <sup>-1</sup> *	
Pompe primer	Oui		
Vis tendeuse de chaîne latérale	Oui		
Nombre de dents du pignon	7		
Poids sans guide et chaîne	5.0 kg	5.1 kg	
Capacité du réservoir à carburant 	550 (0.55) cm <sup>3</sup> (ℓ)		
Capacité du réservoir d'huile de la chaîne 	260 (0.26) cm <sup>3</sup> (ℓ)		
Vitesse de la chaîne à 133% du régime du moteur maximum	3/8"	26.7 m/s	27.8 m/s
	.325"	23.1 m/s	24.1 m/s
<b>* Tours à vide avec barre et chaîne montées</b>			

Combinaisons barres et chaînes recommandées	GSH 510 - MTH 5100 - GSH 560 - MTH 5600			
	Pas et épaisseur chaîne	0.325" x .050"	0.325" x .058"	3/8" x .058"
Longueur du guide	18" (45 cm)		20" (50 cm)	
Barre type	50310206 50310214	50310207 50310215	50310121 50310233	50310177 50310234
Chaîne type	95VPX072X	21BPX078X	73DPX068X	73DPX072X
Longueur de coupe	430 mm		475 mm	



### ATTENTION!!!

Le risque de contre-coup (kickback) augmente si l'association barre/chaîne n'est pas correcte! Utilisez exclusivement les combinaisons barre/chaîne recommandées et suivez scrupuleusement les instructions pour l'affûtage.

			<b>GSH 51 MTH 510</b>	<b>GSH 56 MTH 560</b>	
Pression acoustique	<b>dB (A)</b>	<b>L<sub>pa av</sub></b> EN 11681-1 EN 22868	<b>99.2</b>	<b>103.3</b>	*
Incertitude	<b>dB (A)</b>		<b>2.7</b>	<b>3.1</b>	
Niveau de puissance acoustique mesuré	<b>dB (A)</b>	2000/14/EC EN 22868 EN ISO 3744	<b>110.2</b>	<b>113.4</b>	
Incertitude	<b>dB (A)</b>		<b>2.7</b>	<b>3.0</b>	
Niveau puissance acoustique assuré	<b>dB (A)</b>	<b>L<sub>WA</sub></b> 2000/14/EC EN 22868 EN ISO 3744	<b>113.0</b>	<b>116.0</b>	
Niveau de vibration (3/8")	<b>m/s<sup>2</sup></b>	EN 11681-1 EN 22867 EN 12096	<b>5.2 (sx) 4.8 (dx)</b>	<b>7.3 (sx) 7.0 (dx)</b>	*
Incertitude	<b>m/s<sup>2</sup></b>	EN 12096	<b>1.6 (sx) 1.7 (dx)</b>	<b>1.8 (sx) 2.1 (dx)</b>	
Niveau de vibration (.325")	<b>m/s<sup>2</sup></b>	EN 11681-1 EN 22867 EN 12096	<b>5.8 (sx) 5.3 (dx)</b>	<b>7.2 (sx) 7.0 (dx)</b>	*
Incertitude	<b>m/s<sup>2</sup></b>	EN 12096	<b>1.6 (sx) 1.9 (dx)</b>	<b>1.6 (sx) 1.6 (dx)</b>	

**\* Valori medi ponderati (1/3 minimo, 1/3 pieno carico, 1/3 velocità max a vuoto).**

## 11. DECLARATION DE CONFORMITÉ

Je soussigné, **EMAK spa via Fermi, 4 - 42011 Bagnolo in Piano (RE) ITALY**  
déclare sous sa propre responsabilité que la machine:

1. Catégorie:	<b>Tronçonneuse</b>
2. Marque: / Type:	<b>OLEO-MAC GSH 510 - GSH 560 / EFCO MTH 5100 - MTH 5600</b>
3. identification de série	<b>838 XXX 0001 - 838 XXX 9999 (GSH 510 - MTH 5100) 840 XXX 0001 - 840 XXX 9999 (GSH 560 - MTH 5600)</b>

est conforme aux spécifications de la directive **2006/42/EC - 2014/30/EU - 2000/14/EC**

est conforme aux recommandations des normes harmonisées suivantes: **EN ISO 11681-1 - EN ISO 11681-1/AM 1 - EN 55012**

est conforme au modèle ayant obtenu la certification CE n. **M.0303.17.5988 (GSH 51) - M.0303.17.5984 (GSH 56)  
M.0303.17.5990 (MTH 510) - M.0303.17.5986 (MTH 560)**

emis par le **ICE v. Garibaldi, 20 - 40011 Anzola Emilia (BO) - Italy n° 0303**

Procédures suivies pour l'évaluation de la conformité **Annex V - 2000/14/EC**

Niveau de puissance acoustique mesuré **110.2 dB(A) (GSH 51 - MTH 510) - 113.4 dB(A) (GSH 56 - MTH 560)**

Niveau de puissance acoustique garanti: **113.0 dB(A) (GSH 51 - MTH 510) - 116.0 dB(A) (GSH 56 - MTH 560)**

Fait à: **Bagnolo in piano (RE) Italy - via Fermi, 4**

Date: **20/06/2017**

Documentation technique déposée auprès du **Siège Administratif. - Direction Technique**




Fausto Bellamico - President

## 12. CERTIFICAT DE GARANTIE

Cette machine a été conçue et réalisée avec les techniques de production les plus modernes. Le fabricant garantit ses produits pendant une période de 24 mois à compter de la date d'achat, en cas d'usage privé ou d'activités de bricolage. En cas d'usage professionnel, la garantie est limitée à 12 mois.

### Conditions générales de garantie

- 1) La garantie devient effective à partir de la date d'achat. Le constructeur remplace gratuitement les pièces présentant des vices de matériau, d'usinage ou de fabrication par le biais de son réseau commercial et d'assistance. La garantie ne prive pas l'acheteur des droits qui lui sont octroyés par le code civil contre les conséquences ou les vices causés par la chose vendue.
- 2) Le personnel technique interviendra le plus rapidement possible, dans les délais concédés par les nécessités organisationnelles.
- 3) **Pour demander l'assistance sous garantie, il est nécessaire de présenter au personnel agréé le certificat de garantie ci-dessous portant le cachet du revendeur, dûment rempli et accompagné de la facture d'achat ou du ticket de caisse obligatoire reportant la date d'achat.**
- 4) La garantie s'annule en cas de :
  - d'absence manifeste d'entretien,
  - d'utilisation incorrecte ou de manipulation du produit,
  - d'utilisation de lubrifiants ou de carburants inadéquats,
  - d'utilisation de pièces détachées ou d'accessoires non originaux,
  - d'interventions effectuées par du personnel n'étant pas agréé.
- 5) Le constructeur exclut de la garantie les consommables et les pièces sujettes à usure de fonctionnement normale.
- 6) La garantie exclut les interventions de mise à jour et d'amélioration du produit.
- 7) La garantie ne couvre pas la mise au point ni les interventions d'entretien nécessaires pendant la période de validité de la garantie.
- 8) Les éventuels dommages subis pendant le transport doivent être immédiatement signalés au transporteur sous peine d'annulation de la garantie.
- 9) Les moteurs d'autres marques (Briggs & Stratton, Subaru, Honda, Kipor, Lombardini, Kohler, etc.) montés sur nos machines sont garantis par leurs constructeurs respectifs.
- 10) La garantie ne couvre pas les éventuels dommages, directs ou indirects, causés à des personnes ou des objets suite à des pannes de la machine ou à l'interruption forcée et prolongée de son utilisation.

F

MODELE

\_\_\_\_\_

N° de SERIE

\_\_\_\_\_

ACHETÉ PAR M.

\_\_\_\_\_

\_\_\_\_\_

\_\_\_\_\_

DATE

\_\_\_\_\_

CONCESSIONNAIRE

Ne pas expédier ! Joindre uniquement à l'éventuelle demande de garantie technique.

### 13. GUIDE AU RÉOLUTION DES PROBLÈMES



**ATTENTION : toujours arrêter l'outil et débrancher la bougie avant d'intervenir selon les indications du tableau ci-dessous, sauf indication contraire.**

F

Si le problème persiste après avoir vérifié toutes les causes possibles indiquées, contacter un Centre d'Assistance Agréé. En cas de problème non référencé dans ce tableau, contacter un Centre d'Assistance Agréé.

PROBLÈME	CAUSES PROBABLES	SOLUTION
Le moteur ne démarre pas ou s'arrête quelques secondes après le démarrage.	<ol style="list-style-type: none"> <li>1. Pas d'étincelle</li> <li>2. Moteur noyé</li> </ol>	<ol style="list-style-type: none"> <li>1. Contrôler l'étincelle de la bougie. S'il n'y a pas d'étincelle, répéter le test avec une bougie neuve (<b>L8RTF</b>).</li> <li>2. Suivre la procédure page 29. Si le moteur ne démarre toujours pas, répéter la procédure avec une bougie neuve.</li> </ol>
Le moteur démarre mais n'accélère pas correctement ou ne tourne pas correctement à vitesse élevée.	Régler le carburateur.	Contacteur un Centre d'Assistance Agréé pour régler le carburateur.
Le moteur n'atteint pas le régime maxi et / ou dégage trop de fumée.	<ol style="list-style-type: none"> <li>1. Contrôler le mélange huile/ essence.</li> <li>2. Filtre à air encrassé.</li> <li>3. Régler le carburateur.</li> </ol>	<ol style="list-style-type: none"> <li>1. Utiliser de l'essence neuve et une huile pour moteur 2 temps.</li> <li>2. Nettoyer : voir les instructions au chapitre Entretien filtre de l'air.</li> <li>3. Contacter un Centre d'Assistance Agréé pour régler le carburateur.</li> </ol>
Le moteur démarre, tourne et accélère, mais ne tient pas le ralenti.	Régler le carburateur.	Régler la vis du ralenti "T" (Fig. 30) en la tournant dans le sens des aiguilles d'une montre pour augmenter la vitesse ; voir chapitre Entretien carburateur.
Barre et chaîne se réchauffent et fument durant l'utilisation	<ol style="list-style-type: none"> <li>1. Réservoir d'huile de la chaîne vide</li> <li>2. Chaîne trop tendue</li> <li>3. Système de lubrification défectueux</li> </ol>	<ol style="list-style-type: none"> <li>1. Remplir le réservoir d'huile à chaque ravitaillement du réservoir à carburant.</li> <li>2. Tension chaîne ; voir les instructions au chapitre Montage barre et chaîne (Pages 27).</li> <li>3. Faire tourner 15-30 secondes au régime maxi. Arrêter et vérifier si l'huile s'écoule de la pointe de la barre. S'il y a de l'huile, le dysfonctionnement peut être causé par la chaîne détendue ou la barre endommagée. S'il n'y a pas d'huile, contacter un Centre d'Assistance Agréé</li> </ol>
Le moteur démarre et tourne, mais la chaîne ne tourne pas	<ol style="list-style-type: none"> <li>1. Frein de la chaîne serré</li> <li>2. Chaîne trop tendue</li> <li>3. Assemblage barre et chaîne</li> <li>4. Chaîne et/ou barre endommagée</li> <li>5. Embayage et/ou pignon endommagé</li> </ol>	<ol style="list-style-type: none"> <li>1. Desserrer le frein de la chaîne ; voir chapitre Utilisation – Frein de la chaîne (Page 31)</li> <li>2. Tension chaîne ; voir les instructions au chapitre Montage barre et chaîne (Pages 27)</li> <li>3. voir les instructions au chapitre Montage barre et chaîne (Pages 27)</li> <li>4. Voir les instructions au chapitre Entretien barre et/ou chaîne (Page 32-33)</li> <li>5. Remplacer si nécessaire ; contacter un Centre d'Assistance Agréé</li> </ol>



**ATTENTION : ne jamais toucher la chaîne lorsque le moteur tourne**



## TRADUCCIÓN DE LAS INSTRUCCIONES ORIGINALES

### INTRODUCCIÓN

Para utilizar correctamente la máquina y evitar accidentes, lea con atención este manual antes de comenzar el trabajo. El manual contiene explicaciones sobre el funcionamiento de los distintos componentes, además de instrucciones para realizar los controles y el mantenimiento necesarios.

**Nota. Las descripciones e ilustraciones contenidas en el presente manual no son vinculantes. El fabricante se reserva el derecho a modificar los productos sin hacer los cambios correspondientes en el material impreso.**

Además de las instrucciones de uso y mantenimiento, este manual contiene otras informaciones que requieren una especial atención. Dichas informaciones están señaladas con los siguientes símbolos:

**ATENCIÓN:** indica riesgo de accidentes, lesiones personales –incluso mortales– o daños materiales importantes.

**PRECAUCIÓN:** indica riesgo de que se dañen la máquina o sus componentes.

**ATENCIÓN**  
**RIESGO DE DAÑO AUDITIVO**  
EN CONDICIONES NORMALES, EL USO DE ESTA MÁQUINA PUEDE EXPONER AL CONDUCTOR A UN NIVEL DIARIO DE RUIDO IGUAL O SUPERIOR A **85 dB (A)**.

### ÍNDICE

1. EXPLICACION SIMBOLOS Y ADVERTENCIÁS DE SEGURIDAD	41
2. COMPONENTES DE LA MOTOSIERRA	41
3. NORMAS DE SEGURIDAD	41
4. MONTAJE DE LA BARRA Y LA CADENA	43
5. PUESTA EN MARCHA	43
6. PARADA DEL MOTOR	46
7. UTILIZACION	47
8. MANTENIMIENTO	48
9. ALMACENAJE	52
10. DATOS TECNICOS	53
11. DECLARACION DE CONFORMIDAD	54
12. CERTIFICADO DE GARANTIA	55
13. RESOLUCIÓN DE PROBLEMAS	56

## 1. EXPLICACION SIMBOLOS Y ADVERTENCIAS DE SEGURIDAD (Fig.1)

1. Antes de utilizar esta máquina, leer el manual de instrucciones.
2. Llevar casco, gafas y auriculares de protección.
3. Tipo de máquina: **MOTOSIERRA**.
4. Número de serie
5. Año de fabricación
6. Burbuja primer
7. Freno de cadena, activado (derecha). Freno de cadena, no activado (izquierda).

## 2. COMPONENTS DE LA MOTOSIERRA (Fig. 2)

1. Palanca cebador
2. Palanca del acelerador
3. Palanca de tope del acelerador
4. Tornillo regulación carburador
5. Palanca freno inercial
6. Silenciador
7. Cadena
8. Barra
9. Tapa filtro
10. Interruptor de masa
11. Tapón depósito combustible
12. Empuñadura
13. Tapón depósito aceite
14. Burbuja primer
15. Tornillo lateral para tensar la cadena
16. Empuñadura delantera
17. Empuñadura trasera
18. Funda de la barra

## 3. NORMAS DE SEGURIDAD

**⚠ ATENCIÓN - La motosierra, si se emplea bien, es un instrumento de trabajo cómodo y eficaz; si se usa incorrectamente o sin las debidas precauciones puede convertirse en un instrumento peligroso. Para que su trabajo sea siempre agradable y seguro, respete escrupulosamente las normas de seguridad indicadas a continuación en el presente manual.**

**⚠ ATENCIÓN: El sistema de encendido de su unidad produce un campo electromagnético de muy baja intensidad. Este campo puede interferir con algunos marcapasos. Para reducir el riesgo de lesiones graves o mortales, las personas con marcapasos deberían consultar a su médico y al fabricante del marcapasos antes de utilizar esta máquina.**

**⚠ ¡ATENCIÓN! – El uso de la máquina puede estar limitado por reglamentos nacionales.**

1. No use la motosierra si no conoce perfectamente las instrucciones para su empleo. El operador deberá ejercitarse antes de utilizar la máquina por primera vez.
2. La motosierra debe de ser usada sólo por personas adultas, en buenas condiciones físicas y con conocimiento de las normas de uso.
3. No usar la motosierra en condiciones de fatiga física o se encuentre bajo el efecto de alcohol, drogas o medicación.
4. No llevar bufandas, brazaletes o cualquier prenda que pueda engancharse en la máquina o en la cadena. Usar vestidos adherentes con protección anticorte.
5. Usar zapatos protectivos antideslizantes, guantes, gafas, auriculares y casco de protección.
6. No permitir que otras personas permanezcan en el radio de acción de la motosierra durante el arranque o el corte.
7. No iniciar el corte hasta que el área de trabajo no esté completamente limpia y despejada. No se deben de efectuar cortes en las cercanías de cables eléctricos.
8. Cortar siempre en posición estable y segura.
9. Usar la motosierra sólo en lugares bien ventilados, no usar en atmósfera explosiva, inflamable o en ambientes cerrados.
10. No tocar la cadena o efectuar el mantenimiento cuando el motor está funcionando.
11. Está prohibido aplicar a la toma de fuerza de la motosierra dispositivos no suministrados por el fabricante.
12. Mantenga todas las etiquetas con las señales de peligro y seguridad en perfectas condiciones. Si alguna se estropea,

sustitúyala de inmediato (Fig. 1).

13. No utilice la máquina para una aplicación distinta de las que se indican en el manual (vea pag. 47).
14. No abandonar la máquina en el motor encendido.
15. Controlar diariamente la motosierra para asegurarse de que funcionan todos los dispositivos.
16. Seguir siempre nuestras instrucciones para las operaciones de mantenimiento.
17. No trabajar con una motosierra dañada, mal reparada, mal montada o modificada arbitrariamente. No quite, dañe, o vuelva ineficaz ningún dispositivo de seguridad. Utilizar únicamente barras del largo indicado en el quadro.
18. No efectuar nunca operaciones o reparaciones que no sean de normal mantenimiento. Dirigirse a talleres especializados y autorizados.
19. No poner en marcha la motosierra sin el carter cubrecadena.
20. Si se necesita poner fuera de servicio la motosierra, no se debe de abandonar en el medio ambiente, se aconseja entregarla al Distribuidor que proveerá a su correcta colocación.
21. Dar (prestar) la motosierra solamente a personas expertas o con conocimiento del funcionamiento y del correcto uso. Prestar conjuntamente el manual de instrucciones de uso, que se deberá leer antes de comenzar el trabajo.
22. Dirigirse siempre a su vendedor para cualquier otra aclaración o intervención prioritaria.
23. Conservar cuidadosamente el presente manual de instrucciones y consultarlo en cada ocasión en que la máquina sea utilizada.
24. El propietario o el usuario es responsable de los riesgos y accidentes sufridos por terceros y de los daños sufridos por bienes.

#### INDUMENTOS DE SEGURIDAD

**⚠** La mayoría de los accidentes con la motosierra se verifican cuando la cadena golpea al usuario. **Para trabajar con la motosierra, colocarse siempre indumentos de seguridad homologados.** El uso de elementos de seguridad no elimina los riesgos de lesiones pero reduce los daños en caso de accidente.

Consultar con el vendedor de la máquina sobre los indumentos adecuados.

La ropa debe ser cumplir su función de protección y ser cómoda. Utilizar ropa adherente y a prueba de cortes. **La chaqueta, el peto y las polainas de protección son ideales.** No llevar ropa, bufandas, corbatas o adornos que puedan ser atrapados por la madera o la maleza. Recogerse el cabello largo y cubrirse, por ejemplo con un pañuelo, una gorra o un casco.

**Utilizar zapatos o botas de seguridad con suela antideslizante y punteras de acero.**

**Colocarse el casco de protección** en los lugares donde puedan caer objetos.

**¡Utilizar siempre las gafas o la visera de protección!**

**Emplear elementos de protección contra el ruido, como auriculares o tapones.** El uso de las protecciones para el oído exige mayor atención y prudencia porque se reduce la percepción de las señales sonoras de peligro (gritos, alarmas, etc.).

**Colocarse guantes a prueba de cortes.**

## 4. MONTAJE DE LA BARRA Y LA CADENA

**⚠ ATENCIÓN - Colóquese guantes de protección para hacer el montaje. Utilice solo barra y cadenas recomendadas por el fabricante (pág. 53).**

- Mover la protección (Fig. 3) hacia la empuñadura anterior para verificar que el freno cadena no haya sido conectado.
- Quitar las tuercas (A) y desmontar la tapa cubrecadena (B, Fig. 4).
- Eliminar el espesor de plástico colocado entre los espárragos de la barra (C, Fig. 5).
- Coloquen el trinquete tensor de la cadena (D, Fig. 5) en posición fin de carrera, destornillando todo el tornillo tensor de cadena (L).
- Colocar la barra (F, Fig. 5) sobre los espárragos (N).
- Montar la cadena (H, Fig. 6) dentro el piñón (E) y en la guía de la barra (M). Prestar atención al sentido de rotación de la cadena (Fig. 8).

- Apoyen la cubierta cubre-cadena, introduciéndola en su alojamiento y, manteniéndola presionada contra la barra, atornillen el tornillo tensor de la cadena (L, Fig. 7) para que el trinquete (D, Fig. 5) entre en el orificio (G) de la barra.
- Montar la tapa cubrecadena y las relativas tuercas sin apretarlas.
- Tensor la cadena mediante el tornillo tensacadena (L, Fig. 7)
- Apretar definitivamente las tuercas de fijación de la tapa cubrecadena manteniendo levantada la punta de la barra (Fig. 9). El par de apriete de 1,5 kgm (15 Nm). La cadena debe regularse de forma que esté bien tensa y pueda girar empujándola con la mano (Fig. 10).
- La cadena está regulada a la tensión justa cuando se la puede levantar algunos milímetros tirando de ella hacia arriba (Fig. 10).

**⚠ ATENCIÓN - Mantenga siempre la cadena con la tirantez adecuada.** Una cadena demasiado floja aumenta el riesgo de contragolpe y se puede salir de la ranura de la barra; estas situaciones pueden causar lesiones al usuario y rotura de la cadena. Una cadena demasiado floja acelera el desgaste de la propia cadena, de la barra y del piñón. Por el contrario, una cadena demasiado tirante sobrecarga el motor, que se puede dañar. **Una cadena con la tensión correcta dura más, corta mejor y es más segura.** La duración de la cadena depende de que esté bien tensada y también de una lubricación correcta.

## 5. PUESTA EN MARCHA

### COMBUSTIBLE

**⚠ ATENCIÓN: la gasolina es un combustible extremadamente inflamable. Poner mucho cuidado a la hora de manipular gasolina o una mezcla de combustibles. No fumar ni acercar fuego o llamas al combustible o la motosierra.**

- Manipular el combustible con cuidado para reducir el riesgo de incendio o quemadura. El combustible es altamente inflamable.
- Agitar y poner el combustible en un recipiente aprobado para el combustible.
- Mezclar el combustible al aire libre y en ausencia de chispas o llamas.

- Apoyar en el suelo, parar el motor y dejar enfriar antes del llenado.
- Aflojar el tapón del combustible lentamente para aliviar la presión y evitar fugas de combustible.
- Apretar firmemente el tapón de combustible después del llenado. Las vibraciones pueden causar un aflojamiento del tapón y fugas de combustible.
- Secar el combustible de las fugas de la unidad. Desplazar la máquina a 3 metros de distancia del sitio de llenado antes de poner el motor en marcha.
- No intentar en ninguna circunstancia quemar el combustible de las fugas.
- No fumar durante la manipulación del combustible o durante el funcionamiento de la motosierra.
- Almacenar el combustible en un lugar fresco, seco y bien ventilado.
- No almacenar el combustible en lugares con hojas secas, paja, papel, etc.
- Conservar la unidad y el combustible en lugares donde los vapores del combustible no puedan entrar en contacto con chispas o llamas libres, calentadores de agua, motores eléctricos o interruptores, hornos, etc.
- No quitar el tapón del depósito cuando el motor esté en funcionamiento.
- No utilizar combustible para la limpieza.
- Prestar atención para no ensuciarse la ropa con combustible.

Este producto se acciona con un motor de 2 tiempos y requiere la premezcla de gasolina con aceite para motores de 2 tiempos. Premezclar la gasolina sin plomo con el aceite para motores de dos tiempos en un recipiente limpio aprobado para la gasolina.



**COMBUSTIBLE ACONSEJADO:** ESTE MOTOR ESTÁ CERTIFICADO PARA FUNCIONAR CON GASOLINA SIN PLOMO PARA USO AUTOMOVILÍSTICO CON 89 OCTANOS  $([R + M] / 2)$  O CON UN NÚMERO MAYOR DE OCTANOS.

Mezclar el aceite para motores de 2 tiempos con la gasolina siguiendo las instrucciones del envase.

Recomendamos utilizar aceite para motores de 2 tiempos Oleo-Mac/Efco al **2% (1:50)**, formulado específicamente para todos los motores de dos tiempos enfriados por aire.

Las proporciones correctas de aceite y

combustible indicadas en el prospecto son adecuadas cuando se utiliza aceite para motores Oleo-Mac/Efco **PROSINT 2** y **EUROSINT 2** o un aceite para motor de alta calidad equivalente (**especificaciones JASO FD o ISO L-EGD**).

GASOLINA	ACEITE	
		
	<b>2% - 50:1</b>	
ℓ	ℓ	(cm <sup>3</sup> )
1	0,02	(20)
5	0,10	(100)
10	0,20	(200)
15	0,30	(300)
20	0,40	(400)
25	0,50	(500)

**⚠ PRECAUCIÓN: NO UTILIZAR ACEITE PARA VEHÍCULOS O ACEITE PARA MOTORES FUERA DE BORDA DE 2 TIEMPOS.**

**⚠ PRECAUCIÓN:**

- **Comprar sólo la cantidad de combustible necesaria en base al consumo; no comprar más de lo que se utilizará en uno o dos meses;**
- **Conservar la gasolina en un recipiente cerrado herméticamente, en un lugar fresco y seco.**

**⚠ PRECAUCIÓN - Para la mezcla, no utilice nunca un carburante con más del 10% de etanol. Se puede emplear gasohol (mezcla de gasolina y etanol) con contenido de etanol de hasta 10 % o combustible E10.**

**NOTA** - Prepare solo la mezcla necesaria para el uso; no la deje en el depósito o en el bidón durante mucho tiempo. Para conservar la mezcla durante 12 meses, se aconseja añadir estabilizador de combustible **Emak ADDITIX 2000** cód.001000972.

## Gasolina alquilada

**⚠ PRECAUCIÓN - La gasolina de alquilación no tiene la misma densidad que la gasolina normal. Por lo tanto, los motores puestos a punto con gasolina normal pueden precisar una regulación del tornillo H. Para esta operación, acuda a un centro de asistencia autorizado.**

## LLENADO

Agitar el bidón de la mezcla antes del llenado.

**⚠ ATENCIÓN: seguir las instrucciones de seguridad al manipular el combustible. Apagar el motor antes del llenado. No añadir combustible a una máquina con el motor caliente o en funcionamiento. Alejarse 3 m del punto de llenado antes de poner el motor en marcha. ¡NO FUMAR!**

1. Limpiar la superficie en torno al tapón del combustible para evitar contaminaciones.
2. Aflojar lentamente el tapón del combustible.
3. Verter la mezcla de combustible con cuidado en el depósito. Evitar que el combustible se derrame.
4. Antes de volver a poner el tapón del combustible, limpiar e inspeccionar la junta.
5. Colocar inmediatamente el tapón y apretarlo a mano. Eliminar todo eventual residuo de combustible.

**⚠ ATENCIÓN: comprobar que no haya fugas de combustible; si las hay, eliminarlas antes del uso. Si es necesario, contactar con el servicio de asistencia del revendedor.**

## SUMINISTRO DE ACEITE Y LUBRICACION CADENA

La lubricación de la cadena se efectúa mediante una bomba automática que no requiere mantenimiento.

La bomba del aceite está calibrada de origen para suministrar la cantidad de aceite suficiente, aún en condiciones de trabajo pesado. Se puede considerar normal eventuales goteras de aceite durante el corte de madera delgada.

- Antes de repostar limpiar bien la zona en torno al tapón (13, Fig. 2) a fin que ninguna impureza entre en el depósito.
- Durante el trabajo controlar a menudo el nivel de aceite disponible.

- Después de completar el suministro, accionar el motor en vacío dos o tres veces, para que se restablezca el flujo correcto del aceite.
- En caso de avería no intervenir, dirigirse al vendedor de confianza más cercano.

La correcta lubricación de la cadena durante las distintas fases de corte reduce al mínimo el desgaste entre la cadena y la barra asegurando, por lo tanto, su mayor duración. Utilice siempre aceite de buena calidad.

**⚠ ATENCIÓN - Está prohibido usar aceite recuperado.**

Utilizar siempre un lubricante biodegradable específico (eco-lube Oleo-Mac/Efco) para barras y cadenas en el máximo respeto de la naturaleza, de la salud de l'operador y la vida útil de los componentes de la motosierra.

**⚠ Antes de arrancar el motor asegurarse que la cadena no esté en contacto con un cuerpo extraño.**

**⚠ Con el motor al mínimo la cadena no debe girar. De lo contrario en contacto con un Centro de Servicio Autorizado para llevar a cabo un control y solucionar el problema.**

**⚠ Con el motor en movimiento, sujetar siempre fuertemente la empuñadura anterior con la mano izquierda y la posterior con la mano derecha (Fig. 11).**

- No sobresalirse y no cortar por encima de la altura de los hombros; con un agarre demasiado alto de la motosierra es difícil controlar y contrarrestar las fuerzas tangenciales (kickback).
- **Verificar que todas las partes del cuerpo estén alejadas de la cadena y del silenciador.**
- **Las personas zurdas deben seguir también estas instrucciones. Adopte una postura adecuada para cortar.**

**⚠ La exposición a las vibraciones puede causar daños a las personas que sufren de problemas de circulación sanguínea o nerviosos. Acudir al médico en caso de presentarse síntomas físicos como entumecimiento, falta de sensibilidad, debilitamiento o variaciones del color de la piel. Estos síntomas suelen aparecer en los dedos, las manos y los puños.**

### Motor ahogado

- Ajuste el interruptor de activación/desactivación en la posición **STOP (0)** (B, Fig. 13).
- Suelte el tornillo de la tapa de la bujía (A, Fig. 25).
- Retire la tapa.
- Haga palanca para sacar la funda de la bujía.
- Desenrosque la bujía y séquela.
- Abra el acelerador por completo.
- Tire de la cuerda del motor de arranque varias veces para desahogar la cámara de combustión.
- Vuelva a poner la bujía y conecte su funda; presione **firmemente** hacia abajo.
- Ajuste el interruptor de activación/desactivación en la posición de arranque I.
- Ponga la palanca de estrangulación en la posición OPEN, aunque el motor esté frío.
- Ahora, arranque el motor.

**⚠ ATENCIÓN** – No arrancar la motosierra si la barra, la cadena y el cárter de embrague (freno de cadena) no están montados; el embrague podría **aflojarse** y provocar **lesiones**.

### PUESTA EN MARCHA

**El freno de la cadena debe estar accionado al arrancar la motosierra. Ponga el freno de la cadena empujando la palanca del freno de la cadena / protector de manos hacia adelante (hacia la barra), hasta la posición de freno (Fig. 12).** Cebat el carburador pulsando la burbuja transparente (A, Fig. 14). Llevar el interruptor (B, Fig. 13) a la posición "I". Tirar del cebador (D, Fig. 14) CLOSE. Apoyar la motosierra sobre el terreno en posición estable. Comprobar que la cadena gire sin dificultad y no choque contra cuerpos extraños. Antes de arrancar el motor, compruebe que la cadena no toca ningún objeto. No arranque nunca la motosierra cuando la barra guía se encuentre en un corte. Sujetar firmemente con la mano izquierda la empuñadura anterior y colocar el pie derecho sobre la base de la empuñadura posterior (Fig. 15). Tirar de la cuerda de arranque varias veces, hasta conseguir el **primer estallido**. Volver a llevar la palanca del starter (D, Fig. 14) a su posición original "OPEN". Poner en marcha tirando de la cuerda de arranque. Una vez puesto en marcha el motor, desactivar el freno de cadena y **esperar algunos segundos** antes de accionar la palanca del acelerador (C, Fig. 13) para desbloquear el dispositivo de semi-aceleración automática. **Liberar el freno (Fig. 3).**

**⚠ ATENCIÓN** - Cuando el motor está caliente no se debe usar el cebador para la puesta en marcha.

**⚠ ATENCIÓN** - Emplear el dispositivo de semi aceleración exclusivamente en la fase de puesta en marcha del motor.

### RODAJE DEL MOTOR

El motor alcanza su potencia máxima al cabo de 5-8 horas de trabajo.

Durante este período de rodaje, no haga funcionar el motor sin carga al régimen máximo para evitar un esfuerzo excesivo.

**⚠ ATENCIÓN.** Durante el rodaje, no modificar la carburación con el propósito de aumentar la potencia, el motor podría dañarse.

**NOTA:** es normal que un motor nuevo emita humo durante y después del primer uso.

### RODAJE CADENA

La regulación debe efectuarse siempre con la cadena fría. Hacer girar la cadena manualmente lubricándola con aceite suplementario. Arrancar el motor durante algunos minutos, a velocidad moderada, controlando el regular funcionamiento de la bomba de aceite. Parar el motor y regular la tensión de la cadena. Arrancar el motor efectuando algunos cortes en un tronco. Parar de nuevo el motor y recontrolar la tensión de la cadena. Repetir la operación hasta que la cadena haya alcanzado su alargamiento máximo. No tocar el terreno con la cadena.

**⚠ ATENCIÓN** - No tocar la cadena cuando el motor está en marcha. No tocar el terreno con la cadena.

### 6. PARADA DEL MOTOR

Llevar la palanca del acelerador (C, Fig. 13) al mínimo. Apagar el motor llevando el interruptor de masa (B) a la posición STOP (0).

**⚠ No apoyar la motosierra sobre el terreno si la cadena está aún en movimiento.**

## 7. UTILIZACIÓN

### FRENO CADENA

El freno cadena inercial es un dispositivo de grande seguridad en el uso de la motosierra. Protege al operador de los eventuales peligrosos rebotes que se pudieran producir durante las distintas fases del trabajo. Viene activado, con el consiguiente bloqueo instantáneo de la cadena, cuando la mano del operador hace presión sobre la palanca (accionamiento manual), o bien automáticamente por inercia, cuando la protección viene empujada hacia adelante (Fig. 16) en caso de rebote al imprevisto (accionamiento inercial).

El freno cadena se desbloquea tirando de la palanca hacia el operador (Fig. 3).

### CONTROL FUNCIONAMIENTO FRENO

Al efectuar una inspección antes de ejecutar cualquier trabajo, verificar el funcionamiento del freno observando los siguientes puntos:

1. Accionar el motor y tomar la empuñadura firmemente con ambas manos.
2. Tirando la palanca de gases para mantener el funcionamiento de la cadena, empujar la palanca del freno hacia abajo, a la parte anterior, utilizando el dorso de su mano izquierda (Fig. 11).
3. Al accionar el freno y al detener la cadena, liberar la palanca de gases.
4. Liberar el freno (Fig. 3).

**MANUTENCION FRENO:** Mantener siempre limpio el mecanismo del freno cadena y lubricar las palancas. Verificar el desgaste de la cinta del freno. El espesor mínimo debe de ser de **0.30 mm**.

### USOS NO ADMITIDOS

**⚠ ATENCION - Seguir siempre las normas de seguridad. Esta motosierra está diseñada y construida para el desramaje y el mantenimiento de árboles erguidos y arbustos. Está prohibido cortar otros tipo de materiales. Las vibraciones y el contragolpe son diferentes y los requisitos de seguridad no serían respetados. No usar la motosierra como**

**palanca para levantar, mover o partir objetos. Está prohibido aplicar a la toma de fuerza de la motosierra utensilios o accesorios que no sean los indicados por el constructor.**

### PRECAUCIONES EN EL ÁREA DE TRABAJO

- No trabajar cerca de cables eléctricos.
- Trabajar sólo cuando la visibilidad y la luz sean suficientes para ver claramente.
- Detener el motor antes de apoyar la motosierra.
- Prestar atención especialmente cuando se estén utilizando dispositivos de protección que pueden limitar la capacidad de oír sonidos que indican riesgos (avisos, señales, advertencias, etc.).
- Tener mucho cuidado al trabajar en pendiente o sobre terrenos irregulares.
- No corte con la motosierra por encima de la altura del pecho, puesto que si está en una posición más alta resultará difícil controlarla frente a fuerzas de rebote.
- **No corte subido a una escalera, ya que es muy peligroso.**
- Pare la motosierra si la cadena golpea algún objeto extraño. Inspeccione la motosierra y repare las piezas según sea necesario.
- Mantenga la cadena limpia y sin arena. Incluso una pequeña cantidad de suciedad hará que la cadena pierda brillo rápidamente y aumentará la posibilidad de que se produzcan rebotes.
- Mantener siempre secas y limpias las empuñaduras.
- Cortando un tronco o una rama en tensión, prester atención para que no le sorprenda la instantánea disminución de la tensión de la madera.
- Tener mucha precaución cortando ramas pequeñas o arbustos que pueden bloquear la cadena o ser proyectados contra usted y hacerle perder el equilibrio.

### NORMAS DE TRABAJO

**⚠ ATENCIÓN – El derribamiento de un árbol es una operación que requiere experiencia. No intentar derribar un árbol si no se es experto. EVITAR TODAS LAS OPERACIONES PARA LAS CUALES NO SE**

E

**CUENTE CON LA PREPARACIÓN NECESARIA. Se recomienda a los usuarios inexpertos abstenerse de derribar árboles cuyo tronco tenga un diámetro superior a la longitud de la barra. Si se usa la motosierra por primera vez, efectuar algunos cortes sobre un tronco estable para familiarizarse con el producto en acción. Durante el corte acelerar al máximo. No hacer fuerza sobre la motosierra; su solo peso permitirá cortar con un esfuerzo mínimo.**

**⚠ ATENCION - No corte cuando hace mal tiempo, con escasa visibilidad o con temperaturas demasiado rígidas o elevadas. Asegúrese de que no hay ramas secas que pueden caer.**

### ABATIMIENTO

Para derribar y seccionar un árbol se debe sacar ventaja del trinquete, utilizándolo como eje. Estudiar bien el árbol y el terreno circundante antes de empezar a cortar. Liberar la zona de trabajo. Prepararse una amplia posibilidad de retroceso para el momento en que el árbol iniciará la caída (Fig. 17). Quitar eventuales ramas presentes en la parte inferior del tronco hasta una altura de 2 m. Efectuar un corte perpendicular a la planta, correspondiente a 1/4 del diámetro del tronco, iniciándolo de la parte donde se prevee la caída (1 - Fig. 18). Aproximadamente 10 cm más arriba iniciar un segundo corte que se una con el final del primero. Se extraerá de este modo una cuña y en esa dirección caerá la planta (2 - Fig. 18). Practicar ahora en la parte opuesta al primer corte el verdadero corte de abatimiento. Deberá efectuarse 4-5 cm por encima del primer corte (3 - Fig. 18).

Dejar siempre una bisagra (A, Fig. 19-24) que permite el control de la dirección de caída. Meter una cuña en el corte de abatimiento antes de que el árbol comience a moverse para evitar que la barra de la motosierra se bloquee.

Si el diámetro del tronco es superior a la longitud de la barra, realizar el corte de abatimiento como se indica en la Fig. 19.

### DESRAMADO

- Comenzar siempre desde el diámetro mayor y dirigirse hacia la punta para desramar la planta o eventuales ramas secundarias.
- Buscar siempre la posición más estable y

segura antes de acelerar la motosierra. Si es necesario mantener el equilibrio apoyando la rodilla más cercana al tronco en el mismo.

- Mantener la motosierra apoyada al tronco para no cansarse excesivamente, girándola sobre el lado izquierdo o derecho según la posición de la rama que se debe cortar (Fig. 20).
- En el caso de ramas bajo tensión buscar una posición segura para protegerse del posible golpe de látigo. Iniciar siempre el corte por la parte opuesta a la doblez.
- Para desramar ramas de diámetro grande, utilizar el trinquete.

**⚠ ATENCION - No use el borde superior de la punta de la barra cuando debe desramar, corre el riesgo de recibir un contragolpe.**

### CORTE

Antes de cortar el tronco, controlar cómo está apoyado al suelo. Esto permitirá cortarlo en el modo correcto evitando que la barra quede bloqueada en medio del tronco.

- Comenzar a cortar por la parte superior, aproximadamente 1/3 del diámetro (1 - Fig. 21). Terminar el corte en la parte inferior (2 - Fig. 21). De esta forma el corte será perfecto y la barra no quedará bloqueada en el tronco.
- Iniciar el corte en la parte inferior, aproximadamente 1/3 del diámetro (1 - Fig. 22). Terminar el corte desde la parte superior (2 - Fig. 22).

**⚠ ATENCION - Si la madera se cierra sobre la cadena durante el corte, parar el motor, levantar el tronco y cambiar posición (Fig. 23). No tratar de liberar la cadena tirando por la empuñadura de la motosierra.**

## 8. MANTENIMIENTO

**⚠ ATENCION - Durante las operaciones de manutención llevar siempre los guantes de seguridad. No efectuar la manutención con el motor caliente.**



## AFILADO CADENA

El paso de la cadena (Fig. 25) es de .325" o 3/8". Afilar la cadena utilizando guantes de seguridad y lima redonda de Ø 4.8 mm (3/16") o Ø 5.5 mm (7/32)".

**⚠ ATENCION - No montar la cadena .325" sobre el piñón de la 3/8" o viceversa.**

Afilar siempre la cadena desde el interior hacia el exterior del filo respetando los valores que figuran en Fig. 25.

Los eslabones cortantes, después del afilado, deben ser todos de la misma anchura y longitud.

**⚠ ATENCION - La cadena debe ser afilada cada vez que se observe que las virutas son de dimensiones muy reducidas, como el normal aserrín.**

Cada 3-4 afilados es necesario controlar y, eventualmente, limar el delimitador de profundidad sirviéndose de la lima plana y de la lima suministrada como opcional, seguidamente se deberá redondear el ángulo anterior (Fig. 26).

**⚠ ATENCION - La correcta regulación del delimitador de profundidad es tan importante como el correcto afilado de la cadena.**

## BARRA

Las barras con piñón en la punta deben ser lubricadas con grasa usando una jeringuilla para lubricación.

La barra se debe girar cada 8 horas de trabajo para permitir un desgaste uniforme.

Mantener limpias las ranuras de la barra y el orificio de lubricación con la rasqueta suministrada como opcional.

Controlar que las guías de la barra sean paralelas y, si es necesario, quitar las rebabas laterales con la lima plana.

**⚠ ATENCION - No montar nunca una cadena nueva sobre un piñón.**

**FILTRO DEL AIRE** - Girar la perilla (A, Fig. 27) y controlar diariamente el filtro del aire (B). Para abrir el filtro (B), presionar las dos lengüetas (C). Limpie con desengrasante Emak cód. 001101009A, lave con agua y sople a distancia

con aire comprimido desde el interior hacia el exterior. Sustituya el filtro si está muy atascado o dañado.

**⚠ ¡ATENCIÓN!** - Cuando se vuelva a montar el filtro (B), encajarlo bien en su alojamiento.

**FILTRO COMBUSTIBLE** - Controlar periódicamente las condiciones del filtro, en caso de excesiva suciedad, cambiarlo (Fig. 28).

**BOMBA ACEITE (automática regulable)** - El caudal se regula previamente en la fábrica. El flujo del aceite puede ser variado por el operador, según las necesidades, mediante el tornillo de regulación correspondiente (Fig. 32). El caudal de aceite se activa sólo cuando la cadena está en movimiento.

**⚠ ¡ATENCIÓN!** - No emplee nunca aceite recuperado.

**GRUPO DE ARRANQUE** - Mantener libres y limpios los orificios de refrigeración del carter del conjunto de arranque con pincel o aire comprimido.

**MOTOR** - Limpiar periódicamente las aletas del cilindro con un pincel o con aire comprimido. La acumulación de impurezas sobre el cilindro puede provocar recalentamientos dañinos para el buen funcionamiento del motor.

**BUJIA** - Se recomienda la limpieza periódica de la bujía y el control de la distancia de los electrodos (Fig. 29). Utilizar bujía TORCH L8RTF o de otra marca con grado térmico equivalente.

**FRENO DE LA CADENA** - Si se diera el caso de que el freno de la cadena no funcionara correctamente, desmontar el cárter cubrecadena y limpiar a fondo los componentes del freno. Cuando la cinta esté gastada y/o deformada, cambiarla.

**BARRA** - Girar la barra y verificar que los orificios de lubricación estén libres de impurezas.

No usar combustible (mezcla) para operaciones de limpieza.

E

## CARBURADOR

Antes de regular el carburador, limpiar el transportador de encendido, el filtro del aire (Fig. 27) y calentar el motor.

El carburador (Fig.30) ha sido regulado en la fábrica con el tornillo L (apertura aprox. a 1 +1/2 giro) y el tornillo H (apertura aprox. a 1 +1/2 giro).

El tornillo del régimen mínimo T ha sido regulado para que haya un buen margen de seguridad entre el régimen del mínimo y el régimen del embrague.

El tornillo L se debe regular de manera tal que el motor responda con rapidez a las aceleraciones bruscas y tenga un buen funcionamiento al mínimo.

El tornillo H se debe regular de manera tal que el motor pueda disponer de la máxima potencia durante la fase de corte.

**⚠ ATENCION - Las variaciones climáticas o altimétricas pueden provocar variaciones en la carburación. No permitir que otras personas estén cerca de la motosierra mientras está trabajando ni durante la fase de registro de la carburación.**

## MANTENIMIENTO EXTRAORDINARIO

Se aconseja hacer revisar el equipo por un técnico especializado del servicio de asistencia, todos los años si el uso es intensivo o cada dos años si el uso es normal.

**⚠ ¡ATENCIÓN! - Todas las operaciones de mantenimiento no indicadas en este manual deben ser realizadas por un taller autorizado.** Para garantizar un funcionamiento correcto y constante del la motosierra es preciso utilizar exclusivamente **RECAMBIOS ORIGINALES.**

**⚠ Eventuales modificaciones no autorizadas y/o el uso de accesorios no originales pueden causar lesiones graves o mortales al operador o a terceros.**

## TRANSPORTE

Transportar la motosierra con el motor apagado, con la barra dirigida hacia atrás y el cubrebarra inserido (Fig. 31).

**⚠ ATENCION** - Para el transporte de la máquina en un vehículo, asegurarse de que esté fijada en el vehículo de modo correcto y firme mediante correas. La máquina se debe transportar en posición horizontal; cerciorarse de que se cumplan las normas vigentes en materia de transporte de máquinas.

## TABLA DE MANTENIMIENTO

Las siguientes frecuencias de mantenimiento son aplicables sólo en condiciones de funcionamiento normal. Si su trabajo cotidiano es más severo de lo normal, reduzca los intervalos en consecuencia.

		Antes de cada uso	Después de cada pausa para el reabastecimiento	Semanalmente	En caso de daños o defectos
Máquina completa	Inspeccionar: fugas, grietas, desgaste	X	X		
Controles: interruptor, cebador, palanca del acelerador y palanca de bloqueo del acelerador	Verificar el funcionamiento	X	X		
Freno cadena	Verificar el funcionamiento	X	X		
	Hacer revisar en un taller autorizado				X
Depósito de combustible y depósito de aceite	Inspeccionar: fugas, fisuras, desgaste	X	X		
Filtro de combustible	Inspeccionar y limpiar			X	
	Sustituir el elemento filtrante				X
Lubricación cadena	Controlar el rendimiento	X	X		
Cadena	Inspeccionar: daños, afilado y desgaste	X	X		
	Controlar la tensión	X	X		
	Aflar: controlar la profundidad de pasada				X
Barra	Inspeccionar: daños y desgaste	X	X		
	Limpiar el acanalado y el conducto de aceite	X			
	Girar, lubricar el carrete y desbarbar			X	
	Sustituir				X
Piñón	Inspeccionar: daños y desgaste			X	
	Sustituir				X
Embrague	Inspeccionar: daños y desgaste			X	
	Sustituir				X
Tope cadena	Inspeccionar: daños y desgaste	X	X		
	Sustituir				X
Todos los tornillos y tuercas accesibles (menos los tornillos del carburador)	Inspeccionar y apretar			X	
Filtro de aire	Limpiar	X			
	Sustituir				X
Aletas del cilindro y ranuras del cárter de arranque	Limpiar			X	
Cuerda de arranque	Inspeccionar: daños y desgaste			X	
	Sustituir				X
Carburador	Controlar el mínimo (la cadena no debe girar al mínimo)	X	X		
Bujía	Controlar la distancia de los electrodos			X	
	Sustituir				X
Sistema antivibración	Inspeccionar: daños y desgaste			X	

## 9. ALMACENAJE

Si la máquina no se va a utilizar durante un tiempo prolongado:

- Vaciar y limpiar los depósitos de combustible y de aceite en un lugar bien ventilado.
- Eliminar el combustible y el aceite siguiendo las normas y respetando el medio ambiente.
- Para vaciar el carburador, poner el motor en marcha y esperar que se pare (si queda mezcla en el carburador, las membranas pueden dañarse).
- Quitar y limpiar la cadena y la barra, y rociarlas con aceite protector.
- Limpiar cuidadosamente las ranuras de refrigeración del cárter del grupo de arranque, el filtro de aire (Fig. 27) y las aletas del cilindro.
- Conservar la máquina con los depósitos vacíos en un ambiente seco, en lo posible sin contacto con el suelo y lejos de fuentes de calor.
- Para volver a utilizar la máquina después de la pausa invernal, es suficiente realizar las mismas operaciones que para la puesta en marcha habitual (pág. 47).

### PROTECCIÓN DEL AMBIENTE

La protección ambiental debe ser un aspecto prioritario del uso de la máquina, en beneficio de la convivencia cívica y de la salud del planeta.

- Evite causar molestias a sus vecinos.
- Respete escrupulosamente las normas locales sobre el desecho de embalajes, aceites, gasolina, baterías, filtros, piezas deterioradas o cualquier elemento de fuerte impacto ambiental. No los deseche con los residuos domésticos, sepárelos según su composición y llévelos a un centro de clasificación y reciclaje.

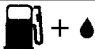

### Desguace y eliminación

Al final de la vida útil de la máquina, no la deje con la basura doméstica sino en un centro de residuos especiales.

Gran parte de los materiales que componen la máquina son reciclables; por ejemplo, todos los metales (acero, aluminio, latón) se pueden entregar a un chatarrero. Para más información, consulte al servicio de recogida de residuos de su zona. Una vez desguazada la máquina, deseche los componentes de acuerdo con las normas de protección ambiental, evitando contaminar el suelo, el aire y el agua.

**En todos los casos deben respetarse las normas pertinentes.**

## 10. DATOS TECNICOS

		<b>GSH 51 MTH 510</b>	<b>GSH 56 MTH 560</b>
Cilindrada		50.9 cm <sup>3</sup>	54.5 cm <sup>3</sup>
Motor		2 tiempos Emak	
Potencia		2.2 kW	2.6 kW
N. giros/min. mínimo		2.700÷3.000 min <sup>-1</sup> *	
N. giros/min máximo		12.000 min <sup>-1</sup> *	12.500 min <sup>-1</sup> *
Burbuja primer		Si	
Tornillo lateral para tensar la cadena		Si	
Número dientes piñón		7	
Peso sin barra y sin cadena		5.0 kg	5.1 kg
Capacidad del depósito de combustible		550 (0.55) cm <sup>3</sup> (ℓ)	
Capacidad del depósito de aceite de la cadena		260 (0.26) cm <sup>3</sup> (ℓ)	
Velocidad de la cadena al 133% del régimen del motor máximo	3/8"	26.7 m/s	27.8 m/s
	.325"	23.1 m/s	24.1 m/s
<b>* Vueltas en vacío con barra y cadena</b>			

<b>Combinaciones de barras y cadenas recomendadas</b>	<b>GSH 510 - MTH 5100 - GSH 560 - MTH 5600</b>			
	Paso y espesor de la cadena	0.325" x .050"	0.325" x .058"	3/8" x .058"
Longitud de barra	18" (45 cm)		20" (50 cm)	
Barra tipo	50310206 50310214	50310207 50310215	50310121 50310233	50310177 50310234
Cadena tipo	95VPX072X	21BPX078X	73DPX068X	73DPX072X
Longitud de corte	430 mm		475 mm	



### ATENCION!!!

El riesgo de contragolpe (kickback) es mayor en caso de combinación barra/cadena errónea. Utilizar exclusivamente las combinaciones barra/cadena recomendadas y atenerse a las instrucciones de afilado.

			<b>GSH 51 MTH 510</b>	<b>GSH 56 MTH 560</b>	
Presión acústica	<b>dB (A)</b>	<b>L<sub>pa av</sub></b> EN 11681-1 EN 22868	<b>99.2</b>	<b>103.3</b>	*
Incertidumbre	<b>dB (A)</b>		<b>2.7</b>	<b>3.1</b>	
Nivel de potencia acústica medido	<b>dB (A)</b>	2000/14/EC EN 22868 EN ISO 3744	<b>110.2</b>	<b>113.4</b>	
Incertidumbre	<b>dB (A)</b>		<b>2.7</b>	<b>3.0</b>	
Nivel potencia acústica garantizado	<b>dB (A)</b>	<b>L<sub>WA</sub></b> 2000/14/EC EN 22868 EN ISO 3744	<b>113.0</b>	<b>116.0</b>	
Nivel de vibracion (3/8")	<b>m/s<sup>2</sup></b>	EN 11681-1 EN 22867 EN 12096	<b>5.2 (sx) 4.8 (dx)</b>	<b>7.3 (sx) 7.0 (dx)</b>	*
Incertidumbre	<b>m/s<sup>2</sup></b>	EN 12096	<b>1.6 (sx) 1.7 (dx)</b>	<b>1.8 (sx) 2.1 (dx)</b>	
Nivel de vibracion (.325")	<b>m/s<sup>2</sup></b>	EN 11681-1 EN 22867 EN 12096	<b>5.8 (sx) 5.3 (dx)</b>	<b>7.2 (sx) 7.0 (dx)</b>	*
Incertidumbre	<b>m/s<sup>2</sup></b>	EN 12096	<b>1.6 (sx) 1.9 (dx)</b>	<b>1.6 (sx) 1.6 (dx)</b>	

\* Valores medios ponderados (1/3 mínimo, 1/3 plena carga, 1/3 velocidad máxima en vacío).

## 11. DECLARACION DE CONFORMIDAD

El abajo firmante, **EMAK spa via Fermi, 4 - 42011 Bagnolo in Piano (RE) ITALY**

declara bajo su responsabilidad que la máquina:

1. Género: **Motosierra**

2. Marca: / Tipo: **OLEO-MAC GSH 51 - GSH 56 / EFCO MTH 510 - MTH 560**

3. identificación de serie  
**837 XXX 0001 - 837 XXX 9999 (GSH 51 - MTH 510)**  
**839 XXX 0001 - 839 XXX 9999 (GSH 56 - MTH 560)**

cumple los requisitos de la directiva **2006/42/EC - 2014/30/EU - 2000/14/EC**

cumple las siguientes normas armonizadas: **EN ISO 11681-1 - EN ISO 11681-1/AM 1 - EN 55012**

es conforme al modelo que ha obtenido la certificación CE N.º **M.0303.17.5988 (GSH 51) - M.0303.17.5984 (GSH 56)**  
**M.0303.17.5990 (MTH 510) - M.0303.17.5986 (MTH 560)**

expedido por **ICE v. Garibaldi, 20 - 40011 Anzola Emilia (BO) - Italy n° 0303**

Procedimientos utilizados para determinar la conformidad **Annex V - 2000/14/EC**

Nivel de potencia acústica medido **110.2 dB(A) (GSH 51 - MTH 510) - 113.4 dB(A) (GSH 56 - MTH 560)**

Nivel de potencia acústica garantizado: **113.0 dB(A) (GSH 51 - MTH 510) - 116.0 dB(A) (GSH 56 - MTH 560)**

Hecho en: **Bagnolo in piano (RE) Italy - via Fermi, 4**

Fecha: **20/06/2017**

Documentación técnica depositada en: **sede administrativa. - Dirección técnica**

   
**Emak**  
 s.p.a.  
 Fausto Bellamico - President

## 12. CERTIFICADO DE GARANTÍA

Esta máquina ha sido diseñada y realizada con las técnicas más avanzadas. El fabricante garantiza sus productos por 24 meses desde la fecha de compra para uso no profesional. La garantía se limita a 12 meses en caso de uso profesional

### Condiciones generales de la garantía

- 1) La garantía tiene validez a partir de la fecha de compra. A través de la red de ventas y asistencia técnica, el fabricante sustituirá gratuitamente las partes que presenten defectos de material o de fabricación. La garantía no priva al comprador de los derechos legales establecidos por el Código Civil con respecto a las consecuencias de los defectos o vicios del objeto vendido.
- 2) El personal técnico actuará lo más pronto posible, dentro de los límites impuestos por motivos organizativos.
- 3) **Para solicitar asistencia en garantía, es necesario presentar el certificado que figura más adelante, sellado por el vendedor y cumplimentado en todas sus partes, además de la factura o el tique de compra.**
- 4) La garantía se anula en caso de:
  - Ausencia manifiesta de mantenimiento.
  - Utilización incorrecta o alteración del producto.
  - Uso de lubricantes o combustibles

inadecuados.

- Empleo de recambios o accesorios no originales.
  - Intervenciones realizadas por personal no autorizado.
- 5) La garantía no cubre los materiales de consumo ni las partes sujetas a un desgaste normal de funcionamiento.
  - 6) La garantía no cubre los trabajos de actualización y mejora del producto.
  - 7) La garantía no cubre la puesta a punto ni las operaciones de mantenimiento que deban realizarse durante el periodo de garantía.
  - 8) Todo daño sufrido por el producto durante el transporte debe señalarse inmediatamente al transportista; de lo contrario la garantía se anula.
  - 9) Para los motores de otras marcas (Briggs & Stratton, Subaru, Honda, Kipor, Lombardini, Kohler, etc.) montados en nuestras máquinas, vale la garantía del respectivo fabricante.
  - 10) La garantía no cubre daños o perjuicios directos o indirectos, materiales o personales, causados por fallos de la máquina o derivados de la imposibilidad de utilizarla.

E

MODELO

\_\_\_\_\_

Nº DE SERIE

\_\_\_\_\_

ADQUIRIDO POR EL SR.

\_\_\_\_\_

\_\_\_\_\_

\_\_\_\_\_

FECHA

\_\_\_\_\_

CONCESIONARIO

¡No expedir! Adjuntar sólo al pedido de asistencia técnica.

### 13. RESOLUCIÓN DE PROBLEMAS



**ATENCIÓN: parar la unidad y desconectar la bujía antes de realizar todas las pruebas correctivas recomendadas en la tabla siguiente, a no ser que sea necesario el funcionamiento de la unidad.**

Una vez verificadas todas las posibles causas, si el problema no se resuelve, llamar a un Centro de Asistencia Autorizado. Si se observa un problema no listado en esta tabla, llamar a un Centro de Asistencia Autorizado.

PROBLEMA	POSIBLES CAUSAS	SOLUCIÓN
El motor no arranca o se apaga a los pocos segundos del arranque.	<ol style="list-style-type: none"> <li>1. No hay chispa</li> <li>2. Motor atascado</li> </ol>	<ol style="list-style-type: none"> <li>1. Controlar la chispa de la bujía. Si no hay chispa, repetir la prueba con una bujía nueva (<b>L8RTF</b>).</li> <li>2. Seguir el procedimiento de la pág. 46. Si el motor no arranca, repetir el procedimiento con una bujía nueva.</li> </ol>
El motor arranca, pero no acelera correctamente o no funciona correctamente a alta velocidad.	Es necesario regular el carburador.	Llamar a un Centro de Asistencia Autorizado para regular el carburador.
El motor no alcanza la máxima velocidad y/o emite demasiado humo.	<ol style="list-style-type: none"> <li>1. Controlar la mezcla aceite-gasolina.</li> <li>2. Filtro de aire sucio.</li> <li>3. Es necesario regular el carburador.</li> </ol>	<ol style="list-style-type: none"> <li>1. Utilizar gasolina fresca y un aceite adecuado para motores de 2 tiempos.</li> <li>2. Limpiar; leer las instrucciones del capítulo Mantenimiento del filtro de aire.</li> <li>3. Llamar a un Centro de Asistencia Autorizado para regular el carburador.</li> </ol>
El motor arranca, gira y acelera, pero no mantiene el mínimo.	Es necesario regular el carburador.	Regular el tornillo del mínimo "T" (Fig. 30) en sentido horario para aumentar la velocidad; consultar el capítulo Mantenimiento del carburador.
La barra y la cadena se calientan y emiten humo durante el funcionamiento	<ol style="list-style-type: none"> <li>1. Depósito de aceite de la cadena vacío</li> <li>2. Cadena demasiado tensa</li> <li>3. Malfuncionamiento del sistema de lubricación</li> </ol>	<ol style="list-style-type: none"> <li>1. El depósito de aceite se debe llenar cada vez que se llene el depósito de combustible.</li> <li>2. Tensado de la cadena; ver las instrucciones en el capítulo Montaje de la barra y la cadena (Pág. 43).</li> <li>3. Hacer funcionar a pleno régimen 15-30 segundos. Detener y comprobar que el aceite gotee desde la punta de la barra. Si hay aceite, el malfuncionamiento puede deberse a que la cadena está floja o la barra está dañada. Si no hay aceite, contactar con un Centro de Asistencia Autorizado</li> </ol>
<p><b>ATENCIÓN: no tocar nunca la cadena cuando el motor esté en funcionamiento</b></p>	<ol style="list-style-type: none"> <li>1. Freno cadena activado</li> <li>2. Cadena demasiado tensa</li> <li>3. Ensamblaje barra y cadena</li> <li>4. Cadena y/o barra dañadas</li> <li>5. Embrague y/o piñón dañados</li> </ol>	<ol style="list-style-type: none"> <li>1. Desactivar el freno de la cadena; ver el capítulo Uso – Freno cadena (Pág. 47)</li> <li>2. Tensado de la cadena; ver las instrucciones en el capítulo Montaje de la barra y la cadena (Pág. 43)</li> <li>3. Ver las instrucciones en el capítulo Montaje de la barra y la cadena (Pág. 43)</li> <li>4. Ver las instrucciones en el capítulo Mantenimiento barra y/o cadena (Pág. 49)</li> <li>5. Sustituir si es necesario; contactar con un Centro de Asistencia Autorizado</li> </ol>



## ПЕРЕВОД ОРИГИНАЛЬНОЙ ИНСТРУКЦИИ

### ВВЕДЕНИЕ

Для правильного использования машины и для предотвращения несчастных случаев перед началом работы очень внимательно прочтите данное руководство. Здесь даются пояснения по работе различных узлов машины, а также указания по требуемым проверкам и техобслуживанию.

**Примечание. Описания и иллюстрации, приведенные в данном руководстве, не считаются строго обязывающими. Фирма-изготовитель оставляет за собой право вносить изменения в конструкцию машины без обязательств обновления этого руководства.**

Кроме указаний по эксплуатации и техническому обслуживанию, данное руководство содержит информацию, требующую особого внимания. Такая информация отмечена символами, описанными ниже:

**ВНИМАНИЕ:** относится к случаям, когда существует риск несчастных случаев, в том числе с летальным исходом, или телесных повреждений или серьезного ущерба имуществу.

**ОСТОРОЖНО:** относится к случаям, когда существует риск повреждения устройства или его составных частей.

**ВНИМАНИЕ**  
**РИСК ПОВРЕЖДЕНИЯ СЛУХА**  
ПРИ НОРМАЛЬНЫХ РАБОЧИХ УСЛОВИЯХ  
ПОЛЬЗОВАТЕЛЬ ЭТОЙ МАШИНЫ  
ПОДВЕРГАЕТСЯ ЕЖЕДНЕВНОМУ УРОВНЮ  
ШУМА, РАВНОМУ ИЛИ ПРЕВЫШАЮЩЕМУ  
**85 дБ (А)**

### СОДЕРЖАНИЕ

1. ЗНАЧЕНИЕ ПРЕДУПРЕДИТЕЛЬНЫХ СИМВОЛОВ И ПРАВИЛА БЕЗОПАСНОСТИ _____	57
2. СОСТАВНЫЕ ЧАСТИ ЭЛЕКТРОПИЛЫ _____	57
3. МЕРЫ ПРЕДОСТОРОЖНОСТИ _____	57
4. МОНТАЖ ШИНЫ И ЦЕПИ _____	59
5. ПУСК _____	59
6. ОСТАНОВКА ДВИГАТЕЛЯ _____	62
7. ПРАВИЛА ПОЛЬЗОВАНИЯ _____	63
8. ОБСЛУЖИВАНИЕ _____	64
9. ХРАНЕНИЕ _____	68
10. ТЕХНИЧЕСКИЕ ХАРАКТЕРИСТИКИ _____	69
11. ЗАЯВЛЕНИЕ О СООТВЕТСТВИИ _____	70
12. ГАРАНТИЙНЫЙ СЕРТИФИКАТ _____	71
13. ПОИСК И УСТРАНЕНИЕ НЕИСПРАВНОСТЕЙ _____	72

## 1. ОБЪЯСНЕНИЕ СИМВОЛОВ И ПРАВИЛА БЕЗОПАСНОСТИ (Рис.1)

1. Перед использованием пилы ознакомьтесь с инструкцией по эксплуатации и техобслуживанию
2. Надевайте защитные очки, каску и наушники
3. Тип машины: **ЦЕПНАЯ ПИЛА**
4. Серийный номер
5. Год выпуска
6. Кнопка подсасывающего насоса
7. Цепной тормоз, активируется (справа). Цепной тормоз, не активирован (слева).

## 2. ДЕТАЛИ ЦЕПНОЙ ПИЛЫ (Рис.2)

1. Рычаг управления стартером
2. Рычаг акселератора
3. Рычаг остановки акселератора
4. Винты регулировки карбюратора
5. Рычаг инерционного тормоза
6. Глушитель
7. Цепь
8. Шина
9. Крышка воздушного фильтра
10. Выключатель массы
11. Крышка лючка топливного бака
12. Ручка стартера
13. Крышка лючка масляного бака
14. Кнопка подсасывающего насоса
15. Винт бокового натяжителя цепи
16. Передняя рукоятка
17. Задняя рукоятка
18. Ограждение шины

## 3. МЕРЫ ПРЕДОСТОРОЖНОСТИ

**⚠ ВНИМАНИЕ** - Цепная пила при правильном использовании – это быстрый, удобный и эффективный инструмент, однако при неверном использовании или при несоблюдении должных мер предосторожности она может явиться источником опасности. Для того, чтобы Ваша работа всегда была приятной и безопасной, строго соблюдайте приведенные ниже и в других местах настоящей инструкции.

**⚠ ВНИМАНИЕ!** При включении вашей машины создается электромагнитное поле с очень малой напряженностью.

RUS

**Это поле может создать помехи для работы некоторых кардиостимуляторов. Во избежание риска серьезных или даже летальных последствий лица с вживленными кардиостимуляторами должны проконсультироваться со своим врачом и изготовителем кардиостимулятора перед тем, как приступать к эксплуатации машины.**

RUS

**⚠ ВНИМАНИЕ! - Использование машины может регламентироваться национальным законодательством**

- Используйте цепную пилу только после внимательного изучения правил ее эксплуатации. Не имеющий опыта пользователь должен потренироваться в работе с машиной перед тем, как приступать к ее практическому применению.
- Цепную пилу могут использовать только взрослые, знакомые с правилами ее эксплуатации и находящиеся в хорошей физической форме.
- Никогда не пользуйтесь цепной пилой, если Вы сильно устали или находитесь под влиянием алкоголя, наркотиков или лекарственных средств.
- Никогда не надевайте шарфов, браслетов или других вещей, которые могут быть захвачены пилой или цепью. Надевайте защищающую от порезов одежду, которая хорошо прилегает к телу.
- Работая с цепной пилой, надевайте нескользящую обувь, перчатки или рукавицы, защитные очки, наушники и каску.
- Не допускайте, чтобы в радиусе действия цепной пилы во время ее запуска или пилки находились другие лица.
- Не начинайте работу до тех пор, пока не освободите место работы. Не пользуйтесь пилой вблизи электрических кабелей.
- Всегда пилите, находясь в устойчивом и безопасном положении.
- Цепной пилой можно пользоваться только в хорошо проветриваемых местах, нельзя пользоваться в атмосфере насыщенной горючими или взрывоопасными парами или в закрытых помещениях.
- Нельзя дотрагиваться цепи или проводить техобслуживание пилы при включенном двигателе
- К валу отбору мощности цепной пилы разрешается подсоединять только поставленные производителем приспособления.
- Сохраняйте в целостности все этикетки с предохранительными символами или указаниями по безопасности. В случае повреждения или износа их следует немедленно заменить (Рис.1).
- Не используйте машину по назначению, отличному от указанного в настоящем руководстве (стр. 63).
- Не оставляйте без присмотра машину с включенным двигателем.
- Ежедневно проверяйте, чтобы все части пилы и защитные приспособления работали надлежащим образом.
- Всегда придерживайтесь наших указаний по проведению техобслуживания.
- Нельзя использовать неисправную, неправильно отремонтированную или неправильно установленную цепь или производить несанкционированные изменения в ее конструкции. Нельзя снимать, отключать или выводить из строя любые защитные устройства. Используйте шины только той длины, которая приведена в таблице.
- Не ремонтируйте цепную пилу самостоятельно и не проводите самостоятельно иных работ, выходящих за рамки текущего техобслуживания. Обращайтесь только в специализированные и авторизованные сервисные центры.
- Нельзя запускать пилу без защитного щитка цепи.
- При необходимости выведения цепной пилы из эксплуатации не бросайте ее, а сдайте своему дилеру, который произведет ее правильную утилизацию.
- Передавайте цепную пилу только тем лицам, которые умеют пользоваться пилой и знакомы с правилами ее эксплуатации. Передавать цепную пилу другим лицам следует только вместе с инструкцией, с которой следует ознакомиться перед началом работы.
- Всегда обращайтесь к своему дилеру для получения прочих разъяснений или при необходимости выполнения каких-либо операций.
- Тщательно сохраняйте настоящую инструкцию и консультируйтесь с ней перед каждым использованием пилы.
- Не забывайте, что владелец или оператор изделия несет ответственность за несчастные случаи или создание опасных ситуаций для третьих лиц или их собственности.

## ЗАЩИТНАЯ ОДЕЖДА

**⚠** Большая часть несчастных случаев при использовании бензопилы происходит, когда цепь задевает оператора. **При работе с цепной пилой всегда надевайте сертифицированную защитную одежду.** Применение защитной одежды не устраняет риск получения травмы, но уменьшает возможные последствия несчастного случая. При выборе защитной одежды руководствуйтесь рекомендациями Вашего доверенного дилера.

Одежда должна быть удобной и не мешать при работе. Надевайте прилегающую к телу и защищающую от порезов одежду. **Защищающие от порезов куртка, комбинезон и гетры являются идеальным решением.** Не надевайте костюмы, шарфы, галстуки или цепочки, которые могут зацепиться за бревна или за ветки. Соберите в пучок длинные волосы и спрячьте их (например под платок, шапку, каску и т.д.).

**Надевайте защитные ботинки или сапоги, имеющие противоскользкие подошвы и стальные наконечники.**

**Надевайте защитный шлем** в местах, в которых возможно падение предметов.

**Всегда надевайте защитные очки или козырек!**

**Используйте приспособления для защиты органов слуха, например, наушники или затычки.** Применение приспособлений для защиты органов слуха требует особого внимания и осторожности, так как при этом ограничивается способность воспринимать звуковые сигналы об опасности (крики, сигналы предупреждения и т.д.).

**Надевайте защищающие от порезов перчатки.**

## 4. МОНТАЖ ШИНЫ И ЦЕПИ

**⚠ ВНИМАНИЕ!** Работы по монтажу всегда следует выполнять в перчатках. **Используйте только шину и цепь, рекомендованные изготовителем (стр. 69).**

- Притянуть щиток безопасности (рис. 3) к передней ручке, чтобы проверить, не включен ли тормоз цепи.

- Снять гайки (А) и крышку цепи (В, рис. 4).
- Удалить пластиковую распорку с посадочных шпилек шины (С, рис. 5).
- Задвинуть собачку натяжителя цепи (D, Рис. 6) до упора, полностью вывинтив винт натяжителя.
- Надеть шину (F, Рис. 5) на посадочные шпильки (N).
- Надеть цепь (H) на звездочку (E) и на направляющую шины (M, рис. 6). Обратите внимание на направление вращения цепи (рис. 8).
- Приложите защитный щиток цепи, вставив его в соответствующее гнездо, и, держа его прижатым к шине, закрутите винт натяжителя (L, Рис. 7), так, чтобы собачка (D, Рис. 5) вошла в отверстие (G) шины.
- Установите защитный щиток цепи и соответствующие гайки, не затягивая их.
- Натяните цепь при помощи натяжителя цепи (L, рис. 7).
- Приподняв шину за конец, хорошо затяните гайки (рис. 9). Момент затяжки 1,5 кгм (15 Нм). Цепь должна быть натянута, но свободно проворачиваться рукой (рис. 10).
- Цепь натянута правильно, если, потянув вверх, ее можно приподнять на несколько миллиметров (рис. 10).

**⚠ ВНИМАНИЕ! Всегда поддерживайте надлежащее натяжение цепи.**

При слишком слабом натяжении цепи увеличивается риск отскока и выхода цепи из паза в шине; такие ситуации могут привести к травме оператора и повреждению цепи. Слишком слабое натяжение цепи приводит к износу самой цепи, шины и звездочки. И наоборот, слишком сильно натянутая цепь приводит к перегрузке двигателя с возможностью его выхода из строя. **Правильное натяжение цепи обеспечивает наилучшее качество пиления, а также безопасность эксплуатации и увеличение срока службы самой цепи.** Срок службы цепи зависит от правильности натяжения и смазки.

## 5. ПУСК

### ТОПЛИВО

**⚠ ВНИМАНИЕ!** Бензин является чрезвычайно огнеопасным видом топлива. При обращении с бензином или топливной смесью будьте максимально осторожны. **Не курить и не подносить огонь к топливу или бензопиле.**

- Для снижения опасности возгорания и получения ожогов будьте осторожны при обращении с топливом. Оно является чрезвычайно огнеопасным.
- Размешивайте и храните топливо в специальной канистре.
- Смешивайте топливо на открытом воздухе – на участке, на котором отсутствуют искры или пламя.
- Перед заправкой опустите машину на землю и заглушите двигатель.
- Медленно открутите крышку заливочной горловины для снятия давления и во избежание утечек топлива.
- После заправки плотно закрутите крышку. Вибрации могут привести к ослаблению крышки и к утечке топлива.
- Вытрите пролившееся топливо. Перед тем как приступить к запуску двигателя, отнесите машину на расстояние не менее 3 м от места заправки.
- Ни при каких обстоятельствах не пытайтесь поджигать пролившееся топливо.
- Не курить во время работы с топливом или бензопилой.
- Храните топливо в сухом, прохладном и хорошо вентилируемом месте.
- Не храните топливо рядом с сухими листьями, соломой, бумагой и т.д.
- Держите машину и топливо в таких местах, в которых исключена возможность контакта топливных паров с искрами или открытым пламенем, бойлерами, электромоторами, выключателями, печами и т.д.
- Не снимайте крышку заправочной горловины при работающем двигателе.
- Не используйте топливо для чистки.
- Будьте осторожны и не допускайте попадания топлива на свою одежду.



Данная машина приводится в действие 2-тактным двигателем и подлежит заправке предварительно приготовленной бензино-масляной смесью для 2-тактных двигателей. Предварительно смешайте неэтилированный бензин с маслом для двухтактных двигателей в чистой емкости, пригодной для хранения бензина.

**РЕКОМЕНДУЕМОЕ ТОПЛИВО:** ДАННЫЙ ДВИГАТЕЛЬ СЕРТИФИЦИРОВАН ДЛЯ РАБОТЫ С НЕЭТИЛИРОВАННЫМ БЕНЗИНОМ ДЛЯ АВТОТРАНСПОРТНЫХ СРЕДСТВ С ОКТАНОВЫМ ЧИСЛОМ 89 (R + M) / 2) ИЛИ БОЛЬШИМ.

Смешивайте бензин с маслом для двухтактных двигателей в соответствии с указаниями, приведенными на таре.

Мы рекомендуем использовать масло для 2-тактных двигателей Oleo-Mac/Efco в

концентрации **2% (1:50)**, специально разработанное для всех двухтактных двигателей с воздушным охлаждением. Соотношения масла/бензина, приведенные в следующей таблице, являются верными при использовании масла Oleo-Mac/Efco **PROSINT 2** или **EUROSINT 2** или эквивалентного ему высококачественного масла (удовлетворяющего стандарту **JASO FD** или **ISO L-EGD**).

БЕНЗИН	МАСЛО	
		
	2% - 50:1	
л	л	(cm <sup>3</sup> )
1	0,02	(20)
5	0,10	(100)
10	0,20	(200)
15	0,30	(300)
20	0,40	(400)
25	0,50	(500)

**⚠ ВНИМАНИЕ! НЕ ИСПОЛЬЗУЙТЕ МАСЛО ДЛЯ АВТОМОБИЛЕЙ ИЛИ МАСЛО ДЛЯ ЗАБОРТНЫХ ДВУХТАКТНЫХ ДВИГАТЕЛЕЙ**

**⚠ ВНИМАНИЕ!**

- Приобретайте топливо исключительно в количествах, соответствующих вашему объему потребления; не приобретайте больше топлива, чем вы расходуете в течение одного-двух месяцев;
- Храните бензин в герметичной емкости в сухом и прохладном месте.

**⚠ ВНИМАНИЕ! Никогда не используйте для топливной смеси топливо с содержанием этанола больше 10%; допускается использовать газохол (смесь бензина с этанолом) с содержанием этанола до 10 % или топливо E10.**

**ПРИМЕЧАНИЕ** - Готовьте только необходимое для работы количество смеси; не оставляйте готовую смесь в баке машины или в канистре на долгое время. Рекомендуется использовать стабилизирующую присадку для топлива **Emak ADDITIX 2000** код 001000972, позволяющую хранить топливную смесь в течение 12 месяцев.

**Алкилированный бензин**

**⚠ ВНИМАНИЕ! Плотность алкилированного бензина отлична от плотности**

обычного бензина. Поэтому на двигателях, отрегулированных для работы с обычным бензином, может потребоваться изменение регулировки винта Н. Для выполнения этой операции следует обращаться в авторизованный сервисный центр.

### ЗАПРАВКА ТОПЛИВНОЙ СМЕСЬЮ

Перед заправкой взболтайте канистру со смесью.

**⚠ ВНИМАНИЕ!** При обращении с топливом соблюдайте установленные правила техники безопасности. Перед заправкой выключайте двигатель. Никогда не выполняйте заправку бака машины при еще горячем или работающем двигателе. Перед тем как запустить двигатель, отойдите не менее, чем на 3 м от места выполнения заправки. **НЕ КУРИТЕ!**

1. Во избежание засорений прочистите поверхность вокруг заливочной горловины.
2. Медленно отвинтите крышку заливочной горловины.
3. Осторожно залейте в бак бензино-масляную смесь. Не допускайте проливания топлива.
4. Перед тем как устанавливать на место крышку заливочной горловины, прочистите прокладку и проверьте ее состояние.
5. Сразу же после заправки установите на место крышку заливочной горловины и закрутите ее вручную. В случае пролива топлива вытрите его.

**⚠ ВНИМАНИЕ!** Проверяйте, нет ли утечек топлива из машины, и в случае обнаружения таковых устраняйте их перед тем, как приступить к работе. При необходимости обращайтесь в авторизованный сервисный центр.

### ЗАПРАВКА МАСЛОМ И СМАЗКА ЦЕПИ

Автоматический насос обеспечивает цепь смазочным маслом. Этот насос не нуждается в техобслуживании и настроен на заводе для подачи требуемого количества масла даже при тяжелых условиях работы. При резке тонкой древесины любые утечки масла каплями считаются нормальными.

- Перед каждой заправкой (13, Рис. 2) очистите поверхность вокруг пробки с целью предотвращения попадания примесей в бак.
- Во время работы визуально проверяйте уровень имеющегося в баке масла.

- После доливки заводите двигатель 2-3 раза на холостом ходу для восстановления правильной подачи масла. Эта операция позволяет насосу восстанавливать требуемую подачу масла.

- В случае неисправности не примите никаких мер, а обратитесь к продавцу или в уполномоченную мастерскую.

Правильная смазка цепи при резке сводит к минимуму износ самой цепи и полотна, что увеличивает их срок службы. Всегда используйте высококачественное масло.

**⚠ ВНИМАНИЕ - Нельзя использовать регенерированное масло!**

Всегда используйте биологически разлагающееся смазочное масло (eco-lube Oleo-Mac/Efco), специфически предназначенное для полотен и цепей, в целях охраны природы и обеспечения длительного срока службы деталей электропилы.

**⚠ Перед запуском проверьте, чтобы цепь не касалась посторонних предметов.**

**⚠ Если двигатель работает на минимальных оборотах, цепь не должна поворачиваться. В противном случае обратитесь в авторизованный сервисный центр, чтобы провести проверку и устранить проблему.**

**⚠ Когда цепная пила работает, следует твердо держать переднюю ручку левой рукой, а заднюю рукоятку правой рукой (Рис. 11).**

- Не тянитесь и не пилите на высоте выше уровня плеч; если электропила удерживается слишком высоко, может оказаться сложной контролировать воздействие касательных сил (отскоки).

- Не допускайте соприкосновения с цепью и глушителем.

- Левши также должны соблюдать эти указания. При работе сохраняйте правильное положение.

**⚠ Воздействие вибрации может вызвать проблемы со здоровьем у людей с нарушенным кровообращением или с заболеваниями нервной системы. Обратитесь за медицинской помощью, если у Вас возникли такие симптомы, как онемение, потеря чувствительности, упадок сил или изменение цвета кожи. Как правило, эти симптомы возникают в пальцах, руках или запястьях.**

**Двигатель залит топливом**

- Установите переключатель в положение **СТОП (STOP) (0)** (В, Рис. 13).
- Открутите винт крышки (А, Рис. 25).
- Снимите крышку.
- Снимите колпак свечи.
- Отвинтите и снимите свечу зажигания.
- Широко откройте дроссельную заслонку.
- Несколько раз дерните за шнур стартера, чтобы очистить камеру сгорания.
- Установите на место свечу зажигания, установите колпак и **сильно** нажмите на него – затем установите на место остальные детали.
- Установите выключатель в I - положение пуска.
- Установите рычаг воздушной заслонки в положение "Открыто" (OPEN), даже если двигатель еще не прогрет.
- Теперь запустите двигатель.

**⚠ ВНИМАНИЕ** – Не запускайте мотопилу при отсутствии шины, цепи и картера сцепления (тормоза цепи) – может **ослабнуть** и вызвать **физический** вред.

**ЗАПУСК ДВИГАТЕЛЯ**

При запуске цепной пилы должен быть **включен тормоз цепи. Для включения тормоза цепи, потяните рычаг тормоза цепи / щиток руки вперед (в направлении шины), в положение включения тормоза (Рис. 12)**. Заполните карбюратор, нажав несколько раз на кнопку подсосывающего насоса (А) (рис. 14). Установите выключатель (В, рис. 13) в положение "I". Потяните за рычаг стартера (D, рис. 14) CLOSE. Положите цепную пилу на землю в устойчивом положении. Проверьте, чтобы цепь свободно вращалась и не задевала посторонние предметы. Перед запуском двигателя убедитесь, что цепная пила не соприкасается ни с какими предметами. Ни в коем случае не пытайтесь запустить цепную пилу, если ее шина находится в распиливаемом материале. Держите переднюю ручку левой рукой, и вставьте правую ногу в основание задней ручки (рис. 15). Дерните за пусковой шнур несколько раз до первого запуска двигателя. Верните рычаг стартера (D, рис. 14) в первоначальное положение "OPEN". Произведите запуск, держа за пусковой шнур. Когда двигатель заведется, освободите тормоз цепи и **подождите несколько секунд**. Затем нажмите на рычаг акселератора (С, Рис. 13) для того для разблокировки устройства автоматического "полугаза". **Освободите тормоз (Рис. 3)**.

**⚠ ВНИМАНИЕ:** Если двигатель прогреет, не используйте стартер для запуска.

**⚠ ВНИМАНИЕ:** Положение акселератора "полугаз" следует использовать только в момент запуска двигателя.

**ОБКАТКА ДВИГАТЕЛЯ**

Двигатель достигает своей максимальной мощности после 5÷8 часов работы. Во время этого периода обкатки не пользуйтесь пилой на максимальных оборотах двигателя во избежание чрезмерных нагрузок.

**⚠ ВНИМАНИЕ!** – Во время обкатки не изменяйте карбюрацию с целью достижения большей мощности; это может привести к выходу двигателя из строя.

**ПРИМЕЧАНИЕ:** испускание дыма новым двигателем при его первом использовании и после него является нормальным явлением.

**ОБКАТКА ЦЕПИ**

Регулировка натяжения производится только на остывшей цепи. Сначала проверните цепь вручную и дополнительно смажьте ее. Затем запустите пилу и дайте ей поработать на средних оборотах, следя за тем, чтобы масляный насос работал правильно. Остановите двигатель и отрегулируйте натяжение цепи. Снова запустите пилу и сделайте несколько распилов. Снова остановите двигатель и еще раз проверьте натяжение. Повторяйте эту операцию, пока цепь не растянется до максимума. Не касайтесь цепью земли.

**⚠ ВНИМАНИЕ - Никогда не касайтесь цепи при работающем двигателе. Не касайтесь цепью земли.**

**6. ОСТАНОВКА ДВИГАТЕЛЯ**

Отпустите рычаг акселератора (С, рис. 13), сведя число оборотов двигателя к минимуму. Выключите двигатель, установив выключатель массы (В) в положение STOP (0).

**⚠ Не положите электропилу на землю при еще вращающейся цепи.**

## 7. ПРАВИЛА ПОЛЬЗОВАНИЯ

### ТОРМОЗ ЦЕПИ

Инерционный тормоз цепи обеспечивает максимальную безопасность при использовании цепной пилы. Он защищает оператора от возможной отдачи, которая может случиться во время работы. Он приводится в действие с последующей мгновенной блокировкой цепи в случае, когда оператор нажимает на рычаг (ручное управление) или автоматически, в результате действия инерции, когда защитный щиток сдвигается вперед (Рис. 16) при неожиданной отдаче (инерционное управление).

Тормоз цепи можно освободить, потянув рычаг по направлению к оператору (Рис. 3).

### КОНТРОЛЬ РАБОТЫ ТОРМОЗА

При проведении контроля машины прежде чем выполнить любую операцию, проверьте работу тормоза следующим образом:

1. Запустите двигатель и прочно держите ручки обеими руками.
2. Толкните рукоятку тормоза вперед тыльной стороной левой руки (Рис. 11).
3. Если тормоз сработал, то цепь должна мгновенно остановиться. Отпустите пусковой рычаг.
4. Освободите тормоз (Рис. 3).

### ТЕХНИЧЕСКОЕ ОБСЛУЖИВАНИЕ ТОРМОЗА:

всегда содержите механизм тормоза в чистоте и смазывайте рычажный механизм. Следите за износом ленты тормоза. Ее минимальная толщина должна быть **0.30 mm**.

### ПРОДУКТЫ, ЗАПРЕЩЕННЫЕ К ПРИМЕНЕНИЮ

**⚠ ВНИМАНИЕ** - Всегда придерживайтесь инструкций по безопасности. Данная цепная пила разработана и изготовлена для обрезки веток и подстрижки деревьев и кустов. Запрещается пилить другие материалы. Другие материалы имеют иные упругость и отдачу и, поэтому при работе с ними безопасность не может быть обеспечена. Цепную пилу нельзя применять как рычаг для поднятия или перемещение предметов, а также для раскалывания предметов. Нельзя останавливать цепь о неподвижную опору. Запрещено использовать приспособления и инструменты отличные от указанных производителем.

### МЕРЫ ПРЕДОСТОРОЖНОСТИ В ОТНОШЕНИИ РАБОЧЕЙ ЗОНЫ

- Не работайте вблизи электропроводов.
- Работайте только в условиях хорошей видимости и освещения.
- Выключайте двигатель перед тем, как опускать бензопла на землю.
- Будьте особо внимательны при использовании средств индивидуальной защиты, т.к. такие средства могут ограничивать вашу способность слышать предупреждающие звуковые сигналы (крики, гудки и т.д.).
- Будьте максимально осторожны при работе на наклонных или неровных участках.
- Не пилите на высоте выше уровня плеч; удерживая цепную пилу слишком высоко, может оказаться сложно контролировать воздействие касательных сил (отскоки шины).
- **Не пилите, стоя на лестнице, поскольку это чрезвычайно опасно.**
- Остановите цепную пилу, если цепь ударяется о посторонний предмет. Проверьте бензопилу и в случае необходимости отремонтируйте поврежденные детали.
- Следите за тем, чтобы на цепи не было грязи и песка. Даже небольшое количество грязи быстро снижает режущую способность цепи и увеличивает риск отскока шины.
- Следите, чтобы рукоятки были сухими и чистыми.
- При пилении бревен под нагрузкой берегитесь отдачи, чтобы не оказаться под ударом, когда волокна древесины освободятся.
- Будьте крайне осторожны при пилении мелких ветвей или кустов, которые могут блокировать цепь или сбросить вас назад и заставить потерять равновесие.

### ПРАВИЛА ПОЛЬЗОВАНИЯ

**⚠ ВНИМАНИЕ** - Валка деревьев является операцией, требующей опыта. Не пытайтесь повалить дерево, если у Вас отсутствует необходимый опыт. **НЕ ВЫПОЛНЯЙТЕ РАБОТУ, ЕСЛИ ВЫ ЧУВСТВУЕТЕ, ЧТО ВАШЕЙ КВАЛИФИКАЦИИ ДЛЯ ЭТОГО НЕДОСТАТОЧНО!** Неопытным пользователям рекомендуется воздержаться от валки деревьев, диаметр ствола которых больше длины шины. Если вы пользуетесь пилой впервые, сделайте несколько пропилов на устойчивом стволе для того, чтобы приобрести навыки работы. Включайте полный газ, когда работаете пилой. Нельзя налегать на пилу

RUS

**во время распиливания – собственного веса пилы достаточно для того, чтобы она пилила без приложения дополнительных усилий.**

**⚠ ВНИМАНИЕ - Не работайте цепной пилой на валке деревьев при плохой погоде, при плохой видимости или при очень высоких или низких температурах. Перед работой обязательно проверьте дерево, чтобы на нем не было сухих веток, которые могут упасть во время работы.**

### ВАЛКА ДЕРЕВЬЕВ

При валке и распиливании деревьев используйте в качестве опоры имеющийся крюк. Осмотрите дерево и окрестную область перед началом пиления. Очистите рабочее место от мешающих предметов. Приготовьте себе широкие возможности для возможного отхода во время падения дерева (Рис. 17). Срезайте все ветви внизу дерева на высоте до 2 м. Сделайте горизонтальный пропил с той стороны дерева, на которую оно будет падать. Глубина этого пропила не должна превышать 1/4 диаметра ствола (1 - Рис. 18). Примерно на 10 см выше сделайте в стволе пропил, соединив его с первым, так чтобы можно было извлечь из древа клин. В этом направлении дерево будет падать (2 - Рис. 18).

Затем сделайте основной пропил на противоположной стороне дерева. Начинайте пилить примерно на 4-5 см выше центра первого пропила (3 - Рис. 18).

Никогда не пропиливайте дерево полностью, всегда оставляйте не распиленной середину (А, Рис. 19-24), это позволит вам управлять направлением падения дерева. Вставьте в основной пропил клин до начала падения дерева для того, чтобы дерево не зажало шину цепной пилы.

Если диаметр дерева больше длины шины пилы, сделайте основной пропил так, как показано на Рис. 19.

### ОБРЕЗКА ВЕТОК

- Всегда начинайте с того места, где ствол наибольшего диаметра и двигайтесь по направлению к вершине дерева, срезая все сучья и более мелкие ветки.
- При начале работы займите наиболее устойчивую и безопасную позицию до того, как запустите пилу. Если понадобится, можно опереться коленом о дерево.
- При обрезке веток держите пилу так, чтобы уставить как можно меньше, и поворачивайте ее вправо или влево, в зависимости от расположения обрезаемой

ветки (рис. 20).

- В случае, если ветки находятся под нагрузкой, займите безопасное положение, чтобы не попасть под удар, если они распрямятся. Всегда пилите со стороны противоположной изгибу.
- Выполняя обрезку веток большого диаметра, пользуйтесь лапой.

**⚠ ВНИМАНИЕ - Нельзя использовать для пиления верхний край кончика шины, особенно для обрезки веток. В противном случае вы можете попасть под отдачу.**

### РАСКРЯЖЕВКА СУЧЬЕВ

Перед началом распиловки бревна посмотрите, каким образом оно лежит на земле; это позволит Вам правильно вести ее, не допуская, чтобы шина оказалась зажатой в бревне.

- Вначале сделайте распил сверху, примерно на 1/4 диаметра (1 - Рис. 21). Завершите распил снизу (2 - Рис. 21). В этом случае получится идеальный распил и шина не окажется зажатой в бревне.
- Вначале сделайте распил снизу, примерно на 1/4 диаметра (1 - Рис. 22). Завершите распил сверху (2 - Рис. 22)

**⚠ ВНИМАНИЕ - Если цепь зажала, выключите двигатель, поднимите бревно и измените его положение (Рис. 23). Ни в коем случае не пытайтесь освободить цепь, дергая за ручку пилы.**

## 8. ОБСЛУЖИВАНИЕ

**⚠ ВНИМАНИЕ - Проводя техническое обслуживание, всегда надевайте защитные перчатки. Не проводите каких-либо операций, пока двигатель не остыл.**

### ЗАТОЧКА ЦЕПИ

Шаг цепи (Рис. 25) составляет .325" или 3/8". Затачивать цепь следует круглым напильником диаметром 4,8 мм (3/16") или диаметром 5,5 мм, (7/32") обязательно надев защитные перчатки.

**⚠ ВНИМАНИЕ - Нельзя надевать цепь .325" на звездочку 3/8" и наоборот.**

Всегда затачивайте зубья только движением напильника наружу), соблюдая размеры, показанные на рис. 25.

После заточки все режущие кромки должны иметь одинаковые ширину и длину.



**⚠ ВНИМАНИЕ – Цепь следует заточивать каждый раз, когда Вы увидите, что она начинает давать мелкие опилки.**

После каждых 3-4 заточек следует контролировать и при необходимости стачивать ограничитель глубины, пользуясь для этого плоским напильником и специальным напильником, поставляемым в качестве опции, после чего следует скруглить передний угол (Рис. 26).

**⚠ ВНИМАНИЕ – Правильная регулировка ограничителя глубины столь же важна, как и правильная заточка цепи.**

## ШИНА

Направляющую шину, с расположенной на конце звездочкой, следует смазывать, используя шприц-масленку.

Шину следует переворачивать каждые 8 часов работы, чтобы обеспечить равномерный износ.

Следите за чистой паза шины и смазочного отверстия, прочищайте их специальным скребком, поставляемым в качестве опции. Проверяйте, чтобы направляющие шины были параллельными и, при необходимости, удаляйте боковые заусенцы плоским напильником.

**⚠ ВНИМАНИЕ: Никогда не надевайте новую цепь на изношенную звездочку.**

**ВОЗДУШНЫЙ ФИЛЬТР** – Поворачивая ручку (А, Рис. 27) ежедневно проверяйте состояние воздушного фильтра (В). Откройте крышку фильтра (В), нажав в разные стороны на два язычка (С). Прочистите обезжиривающим средством Еmax, код 001101009А, промойте водой и продуйте с некоторого расстояния сжатым воздухом в направлении изнутри наружу. Заменяйте фильтр, если он сильно засорен или поврежден.

**⚠ ВНИМАНИЕ!** – При установке на место фильтра (В), правильно вставьте его в соответствующее гнездо.

**ТОПЛИВНЫЙ ФИЛЬТР** – Периодически проверяйте состояние топливного фильтра. Если он окажется слишком грязным, замените его (Рис. 28).

**МАСЛЯНЫЙ НАСОС (автоматический регулируемый)** - Регулировка расхода выполнена на заводе изготовителе. Расход масла может быть по необходимости изменен

оператором с помощью регулировочного винта (Рис. 32). Расход масла производится только, когда цепь движется.

**⚠ ВНИМАНИЕ - Ни в коем случае нельзя использовать отработанное масло.**

**СТАРТЕР** - Используйте кисточку или сжатый воздух для очистки охлаждающих отверстий стартера.

**ДВИГАТЕЛЬ** - Периодически чистите ребра цилиндра кисточкой или сжатым воздухом. Загрязнение цилиндра может привести к опасному перегреву двигателя.

**СВЕЧА ЗАЖИГАНИЯ** – Рекомендуется регулярно чистить свечу зажигания и проверять зазор между электродами (Рис. 29). Используйте свечу TORCH L8RTF или другой марки с теми же температурными характеристиками.

**ТОРМОЗ ЦЕПИ** - Если тормоз цепи работает неправильно, снимите крышку цепи и прочистите части тормоза. Если лента тормоза изношена или деформирована, замените ее.

**ШИНА** - Перевернув шину, проверьте, чтобы смазочные отверстия были свободны от загрязнений.

Не используйте топливную смесь для чистки.

## КАРБЮРАТОР

Перед регулировкой карбюратора очистите пусковой шнур, воздушный фильтр (Рис. 27) и прогрейте двигатель.

Карбюратор (рис.30) регулируется на заводе-изготовителе с винтовым L (открытие приблизительно 1 оборот +1/2) и винта (Н отверстие около 1 поворота +1/2).

Винт минимального режима Т регулируется так, чтобы обеспечить устойчивую работу на холостом ходу и при срабатывании сцепления. Винт L должен быть отрегулирован так, чтобы двигатель быстро реагирует на резкие ускорения и дает хорошую холостую работу. Винт Н должен быть отрегулирован таким образом, что двигатель может иметь максимальную мощность во время фазы резки.

RUS

**⚠ ВНИМАНИЕ** - На работу карбюратора могут влиять погодные условия и высота над уровнем моря. Не позволяйте, чтобы посторонние лица находились рядом с пилой во время работы или во время регулировки карбюратора.

### ТЕХОСМОТР

Рекомендуется по окончании сезона в случае интенсивной эксплуатации и раз в два года при нормальной эксплуатации обращаться к специалисту по сервисному обслуживанию для проведения полного техосмотра.

**⚠ ВНИМАНИЕ!** - Все работы по техобслуживанию, не описанные в этом руководстве, должны проводиться в авторизованном сервисном центре. Для обеспечения правильной и длительной работы цепных пил помнит, что при замене дталей и узлов должны использоваться исключительно **ФИРМЕННЫЕ ЗАПЧАСТИ**.

**⚠** Внесение самовольных модификаций или использование неоригинальных принадлежностей может привести к тяжелым и смертельным травмам оператора и третьих лиц.

### ТРАНСПОРТИРОВКА

Переносить пилу можно только выключив двигатель, развернув ее в сторону от себя и надев чехол на цепь (Рис. 31).

**⚠ ВНИМАНИЕ** - При транспортировке машины на транспортном средстве, убедитесь, что она правильно и надежно закреплена при помощи ремней. Машину следует транспортировать в горизонтальном положении, убедившись, что при этом не нарушаются прочие правила транспортировки соответствующего оборудования.

## ТАБЛИЦА ТЕХОБСЛУЖИВАНИЯ

Обращаем Ваше внимание на то, что указанные интервалы техобслуживания предполагают использование устройства в нормальных рабочих условиях. Если повседневные условия эксплуатации устройства являются более тяжелыми, интервалы между операциями техобслуживания должны быть сокращены соответствующим образом.		Каждый раз перед использованием	После каждой заправки	Каждую неделю	В случае повреждения или неисправности
Вся машина	Проверить: утечки, трещины и износ	X	X		
Проверки: выключатель, стартер, рычаг акселератора и рычаг фиксатора акселератора	Проверить работоспособность	X	X		
Тормоз цепи	Проверить работоспособность	X	X		
	Проверить в авторизованном сервисе				X
Топливный бак и масляный бак	Проверить: утечки, трещины и износ	X	X		
Топливный фильтр	Проверить и очистить			X	
	Заменить фильтрующий элемент				X
Смазка цепи	Проверить эффективность	X	X		
Цепь	Проверить: повреждения, заточка и износ	X	X		
	Проверить натяжение	X	X		
	Заточить: проверить глубину прохода				X
Шина	Проверить: повреждения и износ	X	X		
	Очистить канавку и масляный канал	X			
	Повернуть и смазать цепное колесо и снять заусенцы			X	
	Заменить				X
Зубчатое колесо	Проверить: повреждения и износ			X	
	Заменить				X
Муфта сцепления	Проверить: повреждения и износ			X	
	Заменить				X
Останов цепи	Проверить: повреждения и износ	X	X		
	Заменить				X
Все доступные винты и гайки (за исключением винтов карбюратора)	Проверить и затянуть			X	
Воздушный фильтр	Очистить	X			
	Заменить				X
Оребрение цилиндра и отверстия картера запуска	Очистить			X	
Пусковой шнур	Проверить: повреждения и износ			X	
	Заменить				X
Карбюратор	Проверить холостой режим (цепь не должна вращаться при работе на холостом ходу)	X	X		
Свеча зажигания	Проверить расстояние между электродами			X	
	Заменить				X
Антивибрационная система	Проверить: повреждения и износ			X	

RUS

## 9. ХРАНЕНИЕ

Если машина длительное время не будет использоваться, выполните следующие операции:

- Опорожните и очистите топливный и масляный баки в хорошо проветриваемом месте.
- Утилизируйте топливо и масло согласно находящемуся в силе законодательству о защите окружающей среды.
- Чтобы опорожнить карбюратор, запустите двигатель и позвольте ему работать до остановки (в случае если в карбюраторе останется топливная смесь, мембраны могут повредиться).
- Снимите, очистите и распылите защитное масло на цепь и шину.
- Тщательно очистите вентиляционные отверстия на картере узла запуска, воздушный фильтр (Рис. 27) и оребрение цилиндра.
- Храните машину в сухом месте, по возможности, не в прямом контакте с грунтом, вдали от источников тепла и с пустыми баками.
- Процедура ввода в эксплуатацию после периода зимнего хранения идентична той, которая используется при обычном запуске машины (стр. 63).

### ОХРАНА ОКРУЖАЮЩЕЙ СРЕДЫ

Защита окружающей среды должна быть важным и приоритетным аспектом использования машины, для улучшения общества и среды, в которой мы живем.

- Не нарушайте покой окружающих.
- Тщательно следуйте местным правилам в области утилизации упаковочных материалов, масла, бензина, аккумуляторов, фильтров, износившихся деталей или любых веществ, способных оказать сильное воздействие на окружающую среду; эти отходы нельзя выбрасывать в мусорные контейнеры, их необходимо сдать отдельно в специальные центры по приему отходов, которые обеспечат их переработку.

### Слом и утилизация

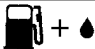

При выводе машины из эксплуатации, не выбрасывайте ее в окружающую среду, а сдайте в центр по сбору отходов.

Большую часть материалов, из которых изготовлена машина, можно переработать; все металлические части (из стали, алюминия, латуни) можно сдать в пункт приема

металлолома. Для получения дополнительной информации обращайтесь в местную службу по сбору отходов. При утилизации отходов, полученных при выводе машины из эксплуатации, необходимо бережно относиться к охране окружающей среды, избегая загрязнения почвы, воздуха и воды.

**В любом случае необходимо соблюдать действующее местное законодательство.**

## 10. ТЕХНИЧЕСКИЕ ДАННЫЕ

	GSH 51 MTH 510	GSH 56 MTH 560	
Объем цилиндра	50.9 cm <sup>3</sup>	54.5 cm <sup>3</sup>	
Двигатель	2-х тактный		
Мощность	2.2 kW	2.6 kW	
Минимальное число оборотов	2.700÷3.000 min <sup>-1</sup> *		
Максимальное число оборотов	12.000 min <sup>-1</sup> *	12.500 min <sup>-1</sup> *	
Кнопка подсасывающего насоса	Да		
Винт бокового натяжителя	Да		
Число зубцов в шестерне	7		
Вес без шины и цепи	5.3 kg	5.4 kg	
Емкость топливного бака 	550 (0.55) cm <sup>3</sup> (ℓ)		
Емкость бака с маслом для смазывания цепи 	260 (0.26) cm <sup>3</sup> (ℓ)		
Скорость цепи при 133% от макс. мощности двигателя	3/8"	26.7 m/s	27.8 m/s
	.325"	23.1 m/s	24.1 m/s
<b>* Число оборотов на холостом ходу с шиной и цепью</b>			

Рекомендуемые комбинации шин и цепей	GSH 51 - MTH 510 - GSH 56 - MTH 560			
Шаг и толщина цепи	0.325" x .050"	0.325" x .058"	3/8" x .058"	
Длина шины	18" (45 cm)		20" (50 cm)	
Типовая шина	50310206 50310214	50310207 50310215	50310121 50310233	50310177 50310234
Типовая цепь	95VPX072X	21BPX078X	73DPX068X	73DPX072X
Глубина пропила	430 mm		475 mm	



### ВНИМАНИЕ!!!

Опасность отскока увеличивается в случае неправильной комбинации шины и цепи! Используйте только рекомендуемые комбинации шины и цепи и следуйте указаниям по заточиванию.

RUS

			<b>GSH 51 MTH 510</b>	<b>GSH 56 MTH 560</b>	
Уровень звукового давления	<b>dB (A)</b>	<b>L<sub>pa av</sub></b> EN 11681-1 EN 22868	<b>99.2</b>	<b>103.3</b>	*
Погрешность	<b>dB (A)</b>		<b>2.7</b>	<b>3.1</b>	
Измеренный уровень звуковой мощности	<b>dB (A)</b>	2000/14/EC EN 22868 EN ISO 3744	<b>110.2</b>	<b>113.4</b>	
Погрешность	<b>dB (A)</b>		<b>2.7</b>	<b>3.0</b>	
Допустимый уровень звукового давления	<b>dB (A)</b>	<b>L<sub>WA</sub></b> 2000/14/EC EN 22868 EN ISO 3744	<b>113.0</b>	<b>116.0</b>	
Уровень вибрации (3/8")	<b>m/s<sup>2</sup></b>	EN 11681-1 EN 22867 EN 12096	<b>5.2 (sx) 4.8 (dx)</b>	<b>7.3 (sx) 7.0 (dx)</b>	*
Погрешность	<b>m/s<sup>2</sup></b>	EN 12096	<b>1.6 (sx) 1.7 (dx)</b>	<b>1.8 (sx) 2.1 (dx)</b>	
Уровень вибрации (.325")	<b>m/s<sup>2</sup></b>	EN 11681-1 EN 22867 EN 12096	<b>5.8 (sx) 5.3 (dx)</b>	<b>7.2 (sx) 7.0 (dx)</b>	*
Погрешность	<b>m/s<sup>2</sup></b>	EN 12096	<b>1.6 (sx) 1.9 (dx)</b>	<b>1.6 (sx) 1.6 (dx)</b>	

\* **Оценочные средние величины (1/3 минимум, 1/3 полная нагрузка, 1/3 макс. скорость на холостом ходу).**

## 11. ЗАЯВЛЕНИЕ О СООТВЕТВИИ

Я, нижеподписавшийся **EMAK spa via Fermi, 4 - 42011 Bagnolo in Piano (RE) ITALY**

заявляю под собственной ответственностью, что машина:

1. Род:	<b>Электропилы</b>
2. Марка: / Тип:	<b>OLEO-MAC GSH 51 - GSH 56 / EFCO MTH 510 - MTH 560</b>
3. Серийный номер	<b>837 XXX 0001 - 837 XXX 9999 (GSH 51 - MTH 510) 839 XXX 0001 - 839 XXX 9999 (GSH 56 - MTH 560)</b>
соответствует предписаниям директивы	<b>2006/42/EC - 2014/30/EU - 2000/14/EC</b>
соответствует требованиям следующих гармонизированных норм:	<b>EN ISO 11681-1 - EN ISO 11681-1/AM 1 - EN 55012</b>
соответствует модели, на которую получена сертификация CE .Nº	<b>M.0303.17.5988 (GSH 51) - M.0303.17.5984 (GSH 56) M.0303.17.5990 (MTH 510) - M.0303.17.5986 (MTH 560)</b>
выдано	<b>ICE v. Garibaldi, 20 - 40011 Anzola Emilia (BO) - Italy n° 0303</b>
Используемые процедуры по оценке соответствия требованиям	<b>Annex V - 2000/14/EC</b>
Измеренный уровень звуковой мощности	<b>110.2 dB(A) (GSH 51 - MTH 510) - 113.4 dB(A) (GSH 56 - MTH 560)</b>
Гарантируемый уровень звуковой мощности	<b>113.0 dB(A) (GSH 51 - MTH 510) - 116.0 dB(A) (GSH 56 - MTH 560)</b>
Сделано в:	<b>Bagnolo in piano (RE) Italy - via Fermi, 4</b>
Дата:	<b>20/06/2017</b>
Техническая документация хранящаяся в:	<b>административном отделе. - Техническое руководство</b>



  
**Fausto Bellamico - President**

## 12. ГАРАНТИЙНОЕ СВИДЕТЕЛЬСТВО

Настоящая машина была разработана и изготовлена использованием наиболее современных технологических процессов. Фирма-изготовитель дает гарантию на свои изделия в течение 24 месяцев со дня покупки при условии, что они применяются для личного и непрофессионального пользования. В случае профессионального использования гарантия действует в течение 12 месяцев.

### Общие гарантийные условия

- 1) Гарантийный срок отсчитывается от даты покупки. Изготовитель, через свою торговую сеть и центры сервисного обслуживания, обеспечивает безвозмездную замену частей, вышедших из строя в результате дефектов материалов или производственных дефектов. Настоящая гарантия не ущемляет законных прав покупателя по гражданскому кодексу в отношении последствий дефектов или недостатков проданного ему изделия.
- 2) Обслуживающий персонал будет оказывать содействие как можно скорее с учетом графика организации.
- 3) **Гарантийные услуги предоставляются только по предъявлении уполномоченному персоналу нижеприведенного гарантийного талона, полностью заполненного и с печатью продавца, вместе со счетом или чеком или другим обязательным по налоговому законодательству документом, удостоверяющим дату покупки.**
- 4) Гарантии изделие аннулируется в

следующих случаях:

- явное пренебрежение техобслуживанием,
  - использование изделия не по назначению или нарушение его целостности,
  - использование неподходящей смазки или топлива,
  - использование неоригинальных запасных частей или принадлежностей,
  - выполнение на машине работ не уполномоченным персоналом.
- 5) Из гарантии исключены расходные материалы и те части, которые подвергаются нормальному износу при эксплуатации.
  - 6) Из гарантийных услуг исключены работы по обновлению и улучшению изделия.
  - 7) Гарантия не покрывает наладочные работы и операции по техобслуживанию, могущие потребоваться в течение гарантийного срока.
  - 8) О любых повреждениях, причиненных во время перевозки, необходимо немедленно сообщить транспортному предприятию, в противном случае гарантия утратит силу.
  - 9) На двигатели не нашего производства (Briggs & Stratton, Subaru, Honda, Kipor, Lombardini, Kohler и др.), установленные на наших изделиях, действует гарантия соответствующих изготовителей.
  - 10) Гарантия не покрывает никакие прямые или косвенные убытки, причиненные людям или имуществу вследствие повреждений или длительного принудительного простоя машины.

RUS

МОДЕЛЬ

\_\_\_\_\_

СЕРИЙНЫЙ НОМЕР

\_\_\_\_\_

КУПЛЕН ГОСПОДИНОМ

\_\_\_\_\_

\_\_\_\_\_

\_\_\_\_\_

ДАТА

\_\_\_\_\_

ДИЛЕР

Не прислать отдельно! Приложить к заявке на оказание гарантийной технической помощи.

### 13. ПОИСК И УСТРАНЕНИЕ НЕИСПРАВНОСТЕЙ



**ВНИМАНИЕ!** Всегда останавливайте машину и отсоединяйте свечу перед тем, как приступать к выполнению всех операций, указанных в нижеприведенной таблице, за исключением тех случаев, когда для их выполнения необходимо функционирование машины.

Если после выполнения всех проверок неисправность остается, обратитесь в авторизованный сервисный центр. В случае появления неисправности, не указанной в этой таблице, обратитесь в авторизованный сервисный центр.

RUS

НЕИСПРАВНОСТЬ	ВОЗМОЖНЫЕ ПРИЧИНЫ	СПОСОБ УСТРАНЕНИЯ
Двигатель не запускается или глохнет через несколько секунд после запуска.	<ol style="list-style-type: none"> <li>Нет искры</li> <li>Двигатель "залил" топливом</li> </ol>	<ol style="list-style-type: none"> <li>Проверьте иску свечи. При отсутствии искры повторите проверку с новой свечой (<b>LRRTF</b>).</li> <li>Выполните процедуру, описанную на стр. 62. Если двигатель все еще не зажигается, повторите эту процедуру с новой свечой.</li> </ol>
Двигатель запускается, но не развивает нужные обороты или неверно работает на большой скорости.	Карбюратор подлежит регулировке.	Обратитесь в авторизованный сервисный центр для выполнения регулировки карбюратора.
Двигатель не набирает полную скорость и/или сильно дымит.	<ol style="list-style-type: none"> <li>Проверьте бензино-масляную смесь.</li> <li>Засорен воздушный фильтр.</li> <li>Карбюратор подлежит регулировке.</li> </ol>	<ol style="list-style-type: none"> <li>Используйте свежий бензин и специальное масло для 2-тактных двигателей.</li> <li>Прочистите; см. указания, приведенные в главе "Техобслуживание воздушного фильтра".</li> <li>Обратитесь в авторизованный сервисный центр для выполнения регулировки карбюратора.</li> </ol>
Двигатель запускается, вращается, но не держит обороты на холостом ходу.	Карбюратор подлежит регулировке.	Отрегулируйте положение регулировочного винта холостого хода "Т" (Рис. 30), поворачивая его по часовой стрелке для увеличения скорости; см. главу "Техобслуживание карбюратора".
Шина и цепь во время работы нагреваются и дымят	<ol style="list-style-type: none"> <li>Пустой бак с маслом для смазки цепи</li> <li>Слишком тугое натяжение цепи</li> <li>Неполадка в работе системы смазки</li> </ol>	<ol style="list-style-type: none"> <li>Масляный бак необходимо заполнять каждый раз при заправке топлива.</li> <li>Натяжение цепи; см. указания в разделе «Монтаж шины и цепи» (Стр. 59).</li> <li>Позвольте двигателю работать на полную мощность в течение 15-30 секунд. Остановите его и проверьте, имеются ли на конце шины капли масла. Если масло имеется, причиной неполадки может быть слабое натяжение цепи или поврежденная шина. Если масло отсутствует, свяжитесь с уполномоченным центром технической поддержки</li> </ol>
<p><b>ВНИМАНИЕ:</b> не дотрагивайтесь до цепи, пока двигатель работает</p>	<ol style="list-style-type: none"> <li>Включен тормоз цепи</li> <li>Слишком тугое натяжение цепи</li> <li>Сборка шины и цепи</li> <li>Цепь и/или шина повреждены</li> <li>Муфта сцепления и/или зубчатое колесо повреждены</li> </ol>	<ol style="list-style-type: none"> <li>Выключите тормоз цепи; см. раздел «Использование - Тормоз цепи» (Стр. 63)</li> <li>Натяжение цепи; см. указания в разделе «Монтаж шины и цепи» (Стр. 59)</li> <li>См. указания в разделе «Монтаж шины и цепи» (Стр. 59)</li> <li>См. указания в разделе «Техобслуживание шины и/или цепи» (Стр. 64-65)</li> <li>Замените их в случае необходимости; свяжитесь с уполномоченным центром технической поддержки</li> </ol>



## ПЕРЕКЛАД ОРИГІНАЛЬНИХ ІНСТРУКЦІЙ

### ВСТУП

Для правильного використання ланцюгових пилок, щоб уникнути нещасних випадків, не можна починати роботу без ретельного вивчення даної інструкції. У посібнику надаються пояснення щодо роботи різних вузлів та інструкції щодо необхідних перевірок та технічного обслуговування.

**УВАГА: Описи та ілюстрації, що містяться в цьому посібнику, не вважаються директивними. Виробник залишає за собою право вносити зміни, не беручи зобов'язань щодо оновлення цього посібника.**

Окрім інструкцій з експлуатації й технічного обслуговування цей посібник містить інформацію, яка вимагає особливої уваги. Така інформація позначена такими символами: **УВАГА:** стосується випадків, коли існує небезпека нещасного випадку чи травмування, в тому числі з летальними наслідками, або серйозного пошкодження майна.

**ОБЕРЕЖНО:** стосується випадків, коли існує ризик пошкодження пристроїв або окремих компонентів.

#### УВАГА

#### РИЗИК ПОШКОДЖЕННЯ СЛУХУ

ЗА НОРМАЛЬНИХ УМОВ ЕКСПЛУАТАЦІЇ ОПЕРАТОР ДАНОЇ МАШИНИ МОЖЕ ЩОДНЯ ПІДДАВАТИСЯ ВПЛИВУ РІВНЯ ШУМУ, ЩО ДОРІВНЮЄ АБО ПЕРЕВИЩУЄ  
**85 дБ (А)**

### ЗМІСТ

1. ПОЯСНЕННЯ ПОПЕРЕДЖУВАЛЬНИХ СИМВОЛІВ ТА ЗАХОДИ БЕЗПЕКИ	73
2. КОМПОНЕНТИ ЛАНЦЮГОВОЇ ПИЛИ	73
3. ЗАХОДИ БЕЗПЕКИ	73
4. МОНТАЖ ШИНИ ТА ЛАНЦЮГА	75
5. ЗАПУСК	76
6. ЗУПИНКА ДВИГУНА	78
7. ЕКСПЛУАТАЦІЯ	79
8. ТЕХНІЧНЕ ОБСЛУГОВУВАННЯ	80
9. ЗБЕРІГАННЯ	84
10. ТЕХНІЧНІ ХАРАКТЕРИСТИКИ	85
11. ДЕКЛАРАЦІЯ ВІДПОВІДНОСТІ	86
12. ГАРАНТІЙНИЙ СЕРТИФІКАТ	87
13. ПОШУК ТА ВИРІШЕННЯ НЕСПРАВНОСТЕЙ	88

## 1. ПОЯСНЕННЯ СИМВОЛІВ ТА ПРАВИЛА БЕЗПЕКИ (Мал.1)

1. Перед використанням пили прочитайте інструкції з експлуатації й технічного обслуговування.
2. Надгайте захисну каску, окуляри та навушники.
3. Назва машини: **ЛАНЦЮГОВА ПИЛА (БЕНЗОПИЛА)**
4. Серійний номер
5. Рік виготовлення
6. Кнопка підсмоктуючого насосу
7. Ланцюгове гальмо активоване (справа). Ланцюгове гальмо не активоване (зліва).

UK

## 2. КОМПОНЕНТИ ЛАНЦЮГОВОЇ ПИЛИ (Мал.2)

1. Важіль керування стартером
2. Важіль акселератора
3. Важіль зупинки акселератора
4. Гвинти регулювання карбюратора
5. Важіль інерційного гальма
6. Глушник
7. Ланцюг
8. Шина
9. Кришка повітряного фільтра
10. Вимикач маси
11. Кришка лючка паливного бака
12. Ручка стартера
13. Кришка лючка масляного бака
14. Кнопка підсмоктуючого насосу
15. Гвинт бокового натягувача ланцюга
16. Передня рукоятка
17. Задня рукоятка
18. Захист шини

## 3. ЗАХОДИ БЕЗПЕКИ

**⚠ УВАГА - Ланцюгова пилка при правильному використанні - це швидкий, зручний і ефективний інструмент, однак при невірному використанні або при недотриманні належних запобіжних заходів вона може стати джерелом небезпеки. Для того, щоб Ваша робота завжди була приємною і безпечною, строго дотримуйтесь правил, наведених нижче та в інших місцях даної інструкції.**

**⚠ УВАГА:** При вмиканні машини утворюється електромагнітне поле дуже малої напруженості. Це поле може створювати перешкоди для роботи деяких кардіостимуляторів. Для запобігання серйозного або смертельного ризику особам зі вживленими кардіостимуляторами слід порадитися з лікарем та виробником кардіостимулятора перш, ніж розпочинати роботу.

**⚠ УВАГА!** – Місцеві законодавства можуть обмежувати використання пилки.

1. Використовуйте пилку тільки після уважного вивчення правил експлуатації. Працівник, який не має відповідного досвіду, повинен вправлятися у роботі з машиною перед тим, як переходити до її практичного використання.
2. Ланцюгову пилку можуть використовувати тільки дорослі, що мають добрий фізичний стан та ознайомлені з правилами її експлуатації.
3. Ніколи не користуйтеся ланцюговою пилкою, якщо Ви сильно втомились або знаходитесь під впливом алкоголю, наркотиків або лікарських препаратів.
4. Ніколи не надягайте шарфів, браслетів або інших речей, що можуть бути зачеплені пилкою або ланцюгом. Користуйтеся одягом, що захищає від порізів і добре прилягає до тіла.
5. Працюючи з ланцюговою пилкою, одягайте нековзне взуття, рукавиці, захисні окуляри, навушники і каску.
6. Не допускайте, щоб у радіусі дії ланцюгової пилки під час її запуску або пилання знаходилися інші особи.
7. Не починайте роботу до тих пір, поки не приведете до порядку місце роботи. Не користуйтеся пилкою поблизу електричних кабелів.
8. Завжди пилайте, знаходячись у стійкому і безпечному положенні.
9. Користуйтеся ланцюговою пилкою тільки в добре провітрюваних місцях. Не дозволяється користуватися пилкою в атмосфері, що насичена пильними або вибухонебезпечними парами або в закритих приміщеннях.
10. Не можна торкатися ланцюга або проводити техобслуговування пилки при

працюючому двигуні.

11. До валу відбору потужності ланцюгової пилки дозволяється приєднувати тільки пристрої, надані виробником.
12. Зберігайте всі етикетки з попередженнями про безпеку та вказівками безпеки у відмінному стані. У випадку пошкодження чи зносу їх слід негайно замінити (Мал. 1).
13. Не використовуйте пилку з метою, відмінною від зазначеної в інструкціях (див. стор. 79).
14. Не залишайте пилку з увімкненим двигуном.
15. Щодня перевіряйте, щоб усі частини пилки і захисні пристосування працювали належним чином.
16. Завжди дотримуйтесь наших указівок по проведенню техобслуговування.
17. Не дозволяється використовувати несправний, неправильно відремонтований або неправильно встановлений ланцюг або робити несанкціоновані зміни в його конструкції. Не можна знімати, відключати або виводити з ладу будь-які захисні пристрої. Використовуйте шини тільки тієї довжини, яка наведена в таблиці.
18. Не ремонтуйте ланцюгову пилку самостійно і не проводьте самостійно інші роботи, що виходять за рамки поточного техобслуговування. Звертайтеся тільки в спеціалізовані й авторизовані сервісні центри.
19. Не можна запускати пилку без захисного щитка ланцюга.
20. При необхідності виведення ланцюгової пилки з експлуатації не залишайте її у навколишньому середовищі, а здайте своєму дилеру, який забезпечить її доцільне використання.
21. Передавайте ланцюгову пилку тільки тим особам, що вміють користуватися пилкою і знайомі з правилами її експлуатації. Передавати ланцюгову пилку іншим особам необхідно тільки разом з інструкцією, з якою варто ознайомитися перед початком роботи.
22. Завжди звертайтеся до свого дилера для одержання інших роз'яснень або при необхідності виконання будь-яких операцій.
23. Ретельно зберігайте дану інструкцію і консультуйтеся з нею перед кожним

використанням пилки.

24. Пам'ятайте, що власник чи працівник відповідає за нещасні випадки або створення небезпечних ситуацій для інших або їхнього майна.

### ЗАХИСНИЙ ОДЯГ

**⚠** Значна частина нещасних випадків при використанні бензопилки відбувається, коли ланцюг зачіпає оператора. **При роботі з бензопилкою завжди одягайте сертифікований захисний одяг.** Застосування захисного одягу не усуває ризик одержання травми, але зменшує можливі наслідки нещасного випадку. При виборі захисного одягу керуйтеся рекомендаціями Вашого довіреного дилера.

Одяг повинний бути зручний і не заважати при роботі. Користуйтеся одягом, що захищає від порізів і добре прилягає до тіла. **Куртка, комбінезон і гетри, що захищають від порізів, є ідеальним рішенням.** Не надягайте плаття, шарфи, краватки або ланцюжки, що можуть зачепитися за колоди або за гілки. Зберіть у пучок довге волосся і сховайте його (наприклад під хустку, шапку, каску і т.д.).

**Одягайте захисні черевики або чоботи, що мають підошви, які не ковзають, і сталеві наконечники.**

**Одягайте захисну каску у місцях,** де можуть падати предмети.

**Завжди одягайте захисні окуляри або козирок!**

**Використовуйте пристосування для захисту органів слуху, наприклад, навушники або затички.** Застосування пристосувань для захисту органів слуху вимагає особливої уваги й обережності, тому що при цьому обмежується здатність сприймати звукові сигнали про небезпеку (крики, сигнали попередження і т.д.).

**Одягайте рукавиці, що захищають від порізів.**

### 4. МОНТАЖ ШИНИ ТА ЛАНЦЮГА

**⚠ УВАГА - Монтажні роботи завжди слід виконувати в рукавицях. Використовуйте шину й ланцюг, рекомендовані виробником (стор. 85).**

- Притягніть щиток безпеки (мал. 3) до передньої ручки, щоб перевірити, чи не включене гальмо ланцюга.
- Зніміть гайки (A) і кришку ланцюга (B, Рис. 4).
- Видалити пластикову розпірку з посадкових шпильок шини (C, мал.5).
- Приведіть хвостовик натягувача ланцюга (D, мал.5) до упору, повністю відкрутивши гвинт натягувача ланцюга (L).
- Надіньте шину (F, Рис.5) на посадкову шпильку (N).
- Надіньте ланцюг (H, Мал. 6) на зірочку (E) та на направляючу шини (M). Зверніть увагу на напрямок обертання ланцюга (Мал. 8).
- Прикладіть захисний щиток ланцюга, вставивши у спеціальне гніздо, і притискаючи до шини, закручіть гвинт натягувача ланцюга (L, Мал. 7) до тих пір, поки хвостовик (D, Мал. 5) не увійде в отвір (G) шини.
- Встановіть захисний щиток ланцюга та відповідні гайки, не затягуючи їх.
- Натягніть ланцюг за допомогою натягувача ланцюга (L, Мал. 7).
- Піднявши шину за кінець, добре затягніть гайки захисного щитка ланцюга (Мал. 7). Момент затягування становить 1,5 кгм (15 Нм). Ланцюг повинен бути натягнутий, але вільно провертатися рукою (мал. 10).
- Ланцюг натягнутий правильно, якщо, потягнувши вгору, його можна підняти на кілька міліметрів. (Мал. 10).

**⚠ УВАГА - Завжди підтримуйте правильний натяг ланцюга.** При надто слабкому натягові ланцюга збільшується ризик віддачі (відскакування) й виходу ланцюга з пазу шини; це може призвести до травмування оператора й пошкодження ланцюга. Надто слабкий натяг призводить до швидкого зносу ланцюга, шини та зірочки. Навпаки, надто сильно натягнутий ланцюг призводить до перевантаження двигуна з можливим пошкодженням. **Правильний натяг ланцюга забезпечує кращі характеристики пиляння, безпеку та більш тривалий термін експлуатації ланцюга.** Термін експлуатації ланцюга залежить від правильного натягу, а також від правильного змащування.

UK

## 5. ЗАПУСК ДВИГУНА

### ПАЛИВО

**⚠ УВАГА: бензин є дуже вогненебезпечним видом палива. Дуже обережно поведіться з бензином чи паливною сумішшю. Заборонено палити чи підносити вогонь до палива чи пили.**

- Для зменшення ризику виникнення пожежі та отримання опіків поведіться з паливом обережно. Воно є дуже вогненебезпечним.
- Розмішуйте і тримайте паливну суміш у спеціально призначених для цього каністрах.
- Змішуйте паливо на відкритому повітрі за відсутності іскор чи полум'я.
- Перед заправкою опустіть пилу на вільну рівну поверхню, зупиніть двигун та дайте йому охолонути.
- Відкручіть кришку обережно, щоб поступово стравити тиск і уникнути виплеску палива.
- Після заповнення бака міцно затягніть кришку. Вібрація може спричинити послаблення кришки та виплеск палива.
- Витріть виплеснуте паливо. Перед запуском двигуна перенесіть бензопилу на 3 метри від місця, де пролилося паливо.
- За жодних обставин не намагайтеся палити розлите паливо.
- Не паліть під час роботи з паливом чи бензопилою.
- Зберігайте паливо у сухому, прохолодному місці з хорошим провітрюванням.
- Не зберігайте паливо поряд з сухим листям, соломомою, папером, тощо.
- Зберігайте бензопилу та паливо в місцях, де неможливий контакт випаровувань пального з іскрами чи відкритим полум'ям, бойлерами, електричними двигунами, тощо.
- Не знімайте кришку горловини бака пального, якщо працює двигун.
- Не використовуйте паливо для чищення.
- Будьте обережні та не допускайте потрапляння палива на одяг.

Ця пилка приводиться в дію 2-тактовим двигуном, отже, її слід заправляти сумішшю мастило/бензин для 2-тактових двигунів. Заздалегідь змішайте неетилований бензин з мастилом для двотактових двигунів у чистій ємності, придатній для зберігання бензину.



**РЕКОМЕНДОВАНЕ ПАЛИВО ЦЕЙ ДВИГУН СЕРТИФІКОВАНО ДЛЯ РОБОТИ**

З НЕЕТИЛОВАНИМ БЕНЗИНОМ ДЛЯ АВТОТРАНСПОРТНИХ ЗАСОБІВ З ОКТАНОВИМ ЧИСЛОМ 89 ( $(R + M) / 2$ ) ЧИ БІЛЬШИМ.

Змішуйте мастило для 2-тактових двигунів з бензином, дотримуючись інструкцій, наведених на упаковці.

Радимо використовувати мастило для 2-тактових двигунів у концентрації Oleo-Mac / Efcо 2% (1:50), спеціально розроблене для всіх двотактових двигунів з повітряним охолодженням.

Співвідношення мастила та бензину, наведене у таблиці, є вірними для використання мастил для двигунів Oleo-Mac / Efcо **PROSINT 2** та **EUROSINT 2** або тотожного високоякісного мастила (що відповідає вимогам стандарту **JASO FD** або **ISO L-EGD**).

БЕНЗИН	МАСТИЛО	
		
	2% - 50:1	
ℓ	ℓ	(cm <sup>3</sup> )
1	0,02	(20)
5	0,10	(100)
10	0,20	(200)
15	0,30	(300)
20	0,40	(400)
25	0,50	(500)

**⚠ ОБЕРЕЖНО: НЕ ВИКОРИСТОВУЙТЕ МАСТИЛО ДЛЯ АВТОМАШИН АБО ДЛЯ 2-ТАКОВИХ ЗАБОРТНИХ ДВИГУНІВ.**

**⚠ ОБЕРЕЖНО:**

- Купуйте паливо в кількості, що відповідає об'єму ваших витрат; не купуйте більше палива, ніж використовуєте протягом одного чи двох місяців.
- Зберігайте бензин у герметично закритій ємності, у сухому прохолодному місці.

**⚠ ОБЕРЕЖНО - Ніколи не використовуйте для паливної суміші з вмістом етанолу більш ніж 10%; дозволяється використовувати газохол (суміш бензину з етанолом) з вмістом етанолу до 10% або паливо E10.**

**ПРИМІТКА** - Суміш варто готувати в кількості, необхідній для кожного разу; не залишайте суміш у баці або каністрі на тривалий час.

Рекомендується використовувати присадку **Emak ADDITIX 2000**, код замовлення 001000972, що дозволяє суміші зберігатися протягом 12 місяців.

### Алкілований бензин

**⚠ ОБЕРЕЖНО** - Густина алкілоvanого бензину відрізняється від густини звичайного бензину. Тому двигуни, налаштовані на звичайний бензин, можуть потребувати іншого налаштування гвинта Н. Для проведення цієї операції слід звернутися до уповноваженого сервісного центру.

### ЗАЛИВАННЯ ПАЛИВА

Потрясіть канистру з паливом перед заливанням.

**⚠ УВАГА: поведіться з паливом, дотримуючись правил техніки безпеки.** Перед заливанням палива завжди вимикайте двигун. Ніколи не доливайте паливо, якщо двигун гарячий або працює. Перед запуском двигуна перенесіть бензопилу на відстань щонайменше 3 метрів від місця заливання палива. **НЕ ПАЛИТИ!**

1. Очистіть поверхню довкола заливальної горловини, щоб попередити забруднення палива.
2. Повільно послабте кришку палива.
3. Обережно залийте паливну суміш у бак. Не допускайте виплеску палива.
4. Перш ніж встановити кришку на місце, очистіть її та перевірте стан.
5. Зразу ж після заливання палива встановіть на місце кришку палива та закрутіть її вручну. Витріть можливі виплески палива.

**⚠ УВАГА: перевірте чи нема протікань палива; за наявності приберіть перш, ніж розпочати роботу.** За необхідності зверніться до уповноваженого сервісного центру.

### ДОЛИВАННЯ МАСТИЛА І ЗМАЩУВАННЯ ЛАНЦЮГА

Змащування ланцюга відбувається завдяки автоматичному насосу, який не потребує технічного обслуговування. Масильний насос налаштований виробником так, щоб постачати кількість мастила, достатню навіть за умови виконання важкої праці. Під час пиляння тонкої деревини протікання масла краплями

вважається нормальним.

- Перед кожним доливанням мастила очищайте поверхню довкола корка (13, Мал.2), щоб запобігти потраплянню забруднень у бак.
- Під час роботи спостерігайте за рівнем мастила в баку.
- Після доливання мастила двічі чи тричі запустіть двигун, щоб відновити правильну подачу мастила.
- У разі несправності не вживайте жодних заходів, а зверніться до уповноваженого сервісного центру.

Правильне змащування ланцюга під час пиляння зводить до мінімуму знос за рахунок тертя ланцюга об шину, забезпечуючи більший термін їхньої служби. Завжди використовуйте тільки якісні мастила.

**⚠ УВАГА** - Забороняється використання відпрацьованого мастила!

Завжди використовуйте тільки мастило, яке розкладається біологічним шляхом (еко-мастило **Leo-Mac**, призначене для шин і ланцюгів, яке однаково щадить і навколишнє середовище, і здоров'я оператора і частини пилки.

**⚠** Перед запуском двигуна перевірте, щоб ланцюг не торкався сторонніх предметів.

**⚠** Коли двигун працює на холостому ходу, ланцюг не повинен обертатися. В іншому разі зверніться до уповноваженого сервісного центру для перевірки та вирішення проблеми.

**⚠** Під час роботи бензопили завжди міцно тримайте передню рукоятку лівою рукою, а задню - лівою рукою (Мал.11).

- Працюючи, ніколи не тягніться і не піднімайте ланцюгову пилку вище рівня плечей; якщо тримати пилу надто високо, може бути складно контролювати дію дотичних сил (віддачу).
- **Не допускайте контакту частин тіла з ланцюгом та глушником.**
- **Оператори-лівші також повинні виконувати ці вказівки.** Під час роботи зберігайте правильне положення пиляння.

UK

**⚠ Дія вібрації може негативно позначитися на здоров'ї людей, які страждають від порушень кровообігу та захворювань нервової системи. Зверніться до лікаря, якщо вас турбують такі симптоми як оніміння, втрата чутливості, зменшення чи зміна забарвлення шкіри. Зазвичай ці явища спостерігаються на пальцях, п'ястях чи зап'ястях.**

### Заклинювання двигуна

- Переведіть вимикач маси у положення **STOP** (0) (В, Рис. 13).
- Послабте гвинт кришки (А, Рис. 25).
- Зніміть кришку.
- Зніміть ковпачок свічки запалювання.
- Відкрутіть та висушіть свічку запалювання.
- Повністю відкрийте дросельну заслінку.
- Декілька разів потягніть за шнур стартера, щоб спорожнити камеру горіння.
- Встановіть свічку запалювання та ковпачок, **рішуче** натиснувши на нього.
- Переведіть вимикач у положення I, тобто у положення запуску.
- Переведіть важіль стартера в положення OPEN, навіть якщо двигун холодний.
- Тепер запустіть двигун.

**⚠ УВАГА** – Ніколи не запускайте пилку, якщо не встановлена шина, ланцюг та картер муфти зчеплення (гальмо ланцюга) – зчеплення може **ослабнути** й спричинити **травми**.

### ЗАПУСК ДВИГУНА

**Під час запуску двигуна гальмо ланцюга має бути включеним. Включіть гальмо ланцюга, штовхнувши важіль гальма ланцюга / щитка руки уперед (у напрямку шини), у положення включення гальма (Мал. 12).** Наповніть карбюратор, натиснувши кнопку підсмоктуючого насоса (А, Мал. 14). Переведіть вимикач (В, Рис. 13) у положення "I". Потягніть важіль стартера (D, Рис. 14) «CLOSE». Покладіть бензопилу на землю у стійкому положенні. Переконайтесь в тому, що ланцюг вільно рухається і не контактує зі сторонніми предметами. Перед запуском двигуна перевірте, щоб бензопила не торкалася будь-яких предметів. Ніколи не намагайтесь запустити бензопилу, якщо шина знаходиться у розпилюваній деревині. Тримаючи лівою рукою передню рукоятку, просуньте праву стопу на основу задньої рукоятки (Мал. 15). Потягніть шнур стартера

декілька разів, до **першого запуску** двигуна. Переведіть важіль стартера (D, Мал. 13) у початкове положення «OPEN». Потягніть шнур стартера, щоб запустити двигун. Після запуску двигуна відпустіть гальмо ланцюга та **почекайте декілька секунд**. Потім натисніть на важіль акселератора (С, Мал. 13), щоб розблокувати пристрій автоматичного «напівгазу». **Відпустіть гальмо (Мал. 3).**

**⚠ УВАГА** - Якщо двигун прогрітий, не використовуйте стартер для запуску.

**⚠ УВАГА** - Положення акселератора «напівгаз» варто використовувати тільки в момент запуску двигуна.

### ОБКАТКА ДВИГУНА

Двигун досягає своєї максимальної потужності після 5-8 годин роботи. Під час цього періоду обкатки не користуйтеся пилкою на максимальних обертах двигуна, щоб уникнути надмірних навантажень.

**⚠ УВАГА!** - Під час обкатки не змінюйте карбюрацію з метою досягнення більшої потужності; це може призвести до виходу двигуна з ладу.

**ПРИМІТКА:** випускання диму новим двигуном під час та після його першого використання є звичним явищем.

### ОБКАТКА ЛАНЦЮГА

Регулювання натягу робиться тільки на охололому ланцюгові. Спочатку проверніть ланцюг вручну і додатково змастіть. Запустіть двигун і дайте йому попрацювати на середніх обертах декілька хвилин, стежачи за тим, щоб мастильний насос працював справно. Зупиніть двигун і відрегулюйте натяг ланцюга. Запустіть пилку і зробіть кілька розпилів. Знову зупиніть двигун і ще раз перевірте натяг. Повторюйте цю операцію, поки ланцюг не розтягнеться до максимуму. Не торкайтесь ланцюгом землі.

**⚠ УВАГА** - Ніколи не торкайтесь ланцюга під час роботи двигуна. Не торкайтесь ланцюгом землі.

### 6. ЗУПИНКА ДВИГУНА

Відпустіть важіль акселератора (С, Мал. 13), звівши число обертів двигуна до мінімуму.

Виключіть двигун, привівши вимикач маси (В) у положення STOP (0).

**⚠ Не кладіть пилку на землю, якщо ланцюг ще не зупинився.**

## 7. ПРАВИЛА ЕКСПЛУАТАЦІЇ

### ГАЛЬМО ЛАНЦЮГА

Інерційне гальмо ланцюга забезпечує максимальну безпеку під час експлуатації ланцюгової пилки. Воно захищає оператора від можливої віддачі (відсакування), яка може трапитися під час роботи. Приводиться в дію з наступним миттєвим блокуванням ланцюга у разі, якщо оператор натискає на важіль (ручне керування), або автоматично, у результаті дії інерції, коли захисний щиток зрушується вперед (Мал.16) при несподіваній віддачі (інерційне керування). Гальмо ланцюга можна звільнити, потягнувши важіль у напрямку до оператора (Мал.3).

### ПЕРЕВІРКА РОБОТИ ГАЛЬМА

Під час перевірки пилки, перед роботою, обов'язково перевірте ефективність роботи гальма в такий спосіб:

1. Увімкніть двигун і міцно візьміться за рукоятки двома руками.
2. Потягнувши за важіль акселератора, щоб ланцюг почав рухатися, штовхніть важіль гальма вперед, використовуючи тильну частину лівої руки (Мал.11).
3. Коли гальмо спрацює, ланцюг негайно зупиниться; відпустіть важіль акселератора.
4. Відпустіть гальмо (Мал.3).

### ТЕХНІЧНЕ ОБСЛУГОВУВАННЯ ГАЛЬМА:

завжди тримайте гальмівний механізм у чистоті та змащуйте важільний механізм. Стежте за зносом стрічки гальма. Її мінімальна товщина повинна становити **0,30 мм**.

### ЗАБОРОНЕНЕ ВИКОРИСТАННЯ

**⚠ УВАГА - Завжди дотримуйтеся правил техніки безпеки. Ця бензопила призначена для обрізки гілок і підстригання високих дерев та кущів. Заборонено пиляти інші матеріали. Інші матеріали мають інші пружність і віддачу і, тому при роботі з ними безпека не може бути забезпечена. Ланцюгову пилку не можна застосовувати як важіль для підняття, переміщення або розколювання**

**предметів, не можна зупиняти пилку об нерухому опору. До валу відбору потужності ланцюгової пилки дозволяється приєднувати тільки пристрої, надані виробником.**

### ЗАПОБІЖНІ ЗАХОДИ НА РОБОЧІЙ ДІЛЯНЦІ

- Не працюйте поблизу електричних проводів.
- Працюйте лише за умови хорошої видимості та освітлення.
- Завжди вимикайте двигун перед тим, як покласти бензопилу на землю.
- Дуже обережно застосовуйте засоби індивідуального захисту, оскільки ці засоби можуть обмежувати вашу здатність сприймати перестерігаючі звукові сигнали (оклики, гудки, тощо).
- Дуже обережно працюйте на похилих та нерівних ділянках.
- Ніколи не піднімайте ланцюгову пилку вище рівня плечей; якщо тримати пилу надто високо, може бути складно контролювати дію дотичних сил (віддача шини).
- **Не пиляйте, стоячи на драбині: це дуже небезпечно.**
- Зупиніть ланцюгову пилу, якщо ланцюг ударяє сторонній предмет. Перевірте пилку і, якщо необхідно, відремонтуйте пошкоджені компоненти.
- Слідкуйте, щоб на ланцюгові не було бруду й піску. Навіть незначна кількість бруду швидко зменшує ріжучу здатність ланцюга та збільшує вірогідність віддачі шини.
- Слідкуйте, щоб рукоятки завжди були сухими та чистими.
- Розпилюючи колоду під навантаженням, стережіться віддачі, щоб несподівано не потрапити під удар, коли волокна деревини вивільняться.
- Будьте вкрай обережні при пилянні дрібних гілок або кущів, що можуть відкинути вас назад і змусити втратити рівновагу.

### ПРАВИЛА РОБОТИ

**⚠ УВАГА - Валка дерева вимагає досвіду. Не намагайтеся валити дерево, якщо у вас немає досвіду. УНИКАЙТЕ ВИКОНАННЯ БУДЬ-ЯКИХ ОПЕРАЦІЙ, ЯКЩО ВИ НЕ ПОЧУВАЄТЕ СЕБЕ ДОСТАТНЬО КВАЛІФІКОВАНИМИ! Недосвідченим операторам бажано утримуватися від валки дерев зі стовбуром, діаметр, яких більший, ніж довжина шини.**

UK

**Якщо ви користуєтеся бензопилою вперше, потренуйтеся на одній колоді, забезпечивши їй стійке положення, щоб набути навичок. Під час пиляння збільште швидкість до максимальної. Не тисніть надмірно на пилку; вага пилки дозволяє пиляти, докладаючи мінімум зусиль.**

**⚠ УВАГА - не пиляйте під час негоди, в умовах слабкої видимості, при надто низьких чи високих температурах довколишнього повітря. Переконайтеся у відсутності сухих гілок, які б могли впасти.**

## ВАЛКА

Під час валки й розпилювання (розкрязування) дерева скористайтеся присутністю лапи (упору), яка може служити шарніром. Ретельно огляньте дерево й навколишній ґрунт перш ніж розпочинати валку. Звільніть робочу ділянку. Заздалегідь передбачте можливість безпечного відходу від падаючого дерева (Рис.17). Обріжте сучки на нижній частині стовбура, приблизно до висоти 2 метрів. Зробіть підпил перпендикулярно до осі росту дерева на глибину 1/4 діаметра дерева, починаючи з того боку, в який намічено валити дерево (1 - Рис. 18). Приблизно на 10 см. вище зробіть другий підпил, кінець якого збігатиметься з кінцем першого підпилу. Таким чином буде вирізано клин, який задасть дереву напрямок падіння (2 - Рис. 18). На стороні, протилежній першому підпилу, на 4 - 5 см вище від першого підпилу, зробіть валочний пропил (3 - Рис. 18).

Завжди залишайте перекладку (А, Рис. 19-24) для контролю за напрямком падіння дерева. Вставте вирізаний раніше клин у валочний пропил перш ніж дерево почне рухатися. Це робиться для того, щоб шину пилки не заклинило.

Якщо діаметр стовбура більший ніж довжина шини, зробіть валочний пропил у порядку, вказаному на рис. 19.

## ОБРІЗАННЯ ГІЛОК

- Завжди починайте з того місця, де стовбур має найбільший діаметр і рухайтесь в напрямку до вершини дерева, зрізуючи всі суки і більш дрібні гілки.
- На початку роботи займіть найбільш стійку і безпечну позу до того, як запустите пилку. Якщо знадобиться, можна упертися коліном в дерево.

- При обрізанні гілок тримайте пилку так, щоб втомлюватися якнайменше, і повертайте її вправо або вліво, в залежності від розташування гілки, яку обрізаєте (Мал. 20).

- У випадку, якщо гілки знаходяться під навантаженням, займіть безпечне положення, щоб не потрапити під удар, якщо вони розпрямляться. Завжди пиляйте з боку, що протилежний вигину.

- Обрізаючи гілки великого діаметру скористайтесь присутністю лапи.

**⚠ УВАГА - Не можна використовувати для пиляння верхній край кінчика шини, особливо для обрізки гілок, позаяк можете потрапити під віддачу.**

## РОЗПИЛЮВАННЯ

Перед розпилюванням подивіться на розміщення колоди на ґрунті: це допоможе правильно розпиляти колоду й запобігти заклинюванню шини у колоді.

- Починайте розпил у верхній частині, зробивши пропил глибиною приблизно 1/3 діаметру (1 - Рис. 21). Завершіть розпил знизу (2 - Рис. 21). Так ви отримаєте бездоганний розпил і шину не заклинить у колоді.

- Починайте розпил у нижній частині, приблизно на глибину 1/3 діаметру (1 - Рис. 22). Завершіть розпил зверху (2 - Рис. 22).

**⚠ УВАГА - Якщо під час розпилу у колоді заклинює ланцюг, зупиніть двигун, підніміть колоду та змініть її положення (Рис. 23). Не намагайтесь звільнити ланцюг, тягнучи за рукоятку пилки.**

## 8. ТЕХНІЧНЕ ОБСЛУГОВУВАННЯ

**⚠ УВАГА - Під час технічного обслуговування завжди надягайте захисні рукавички. Не виконуйте будь-яких операцій, доки двигун не охолоне.**

### ЗАТОЧЕННЯ ЛАНЦЮГА

Крок ланцюга (Рис.25) складає 0,325 дюйма або 3/8 дюйма.

Заточувати ланцюг необхідно круглим напилком Ø 4,8 мм, (3/16 дюйма) або Ø 5,5 мм (7/32 дюйма), обов'язково надягнувши захисні рукавички.



**⚠ УВАГА - Не використовуйте ланцюг 0,325 дюйма на зубчатому колісці 3/8 дюйма або навпаки.**

Завжди заточуйте зубці тільки рухом напилка назовні, дотримуючись значень, приведених на мал. 25.

Після заточення всі ріжучі кромки повинні мати однакові ширину і довжину.

**⚠ УВАГА - Ланцюг варто заточувати щоразу, коли Ви побачите, що починає давати дрібне обпилювання.**

Після кожних 3-4 заточень варто контролювати і при необхідності сточувати обмежник глибини, користуючись для цього плоским напилком і спеціальним затискачем (постачаються факультативно), після чого необхідно скруглити передній кут (Мал. 26).

**⚠ УВАГА - Правильне регулювання обмежувача глибини настільки ж важливе, як і правильне заточення ланцюга.**

#### **ШИНА**

Шини з розташованою на кінці зірочкою варто змазувати використовуючи шприць-маслюку. Шину варто перевертати кожні 8 годин роботи, щоб забезпечити рівномірний знос.

Стежте за чистотою паза шини і мастильного отвору, прочищайте їх спеціальним шкребком, що постачається як опція.

Перевіряйте, щоб направляючі шини були рівнобіжними і, при необхідності, видаляйте бічні задирки плоским напилком.

**⚠ УВАГА: Ніколи не надягайте новий ланцюг на зношену зірочку.**

**ПОВІТРЯНИЙ ФІЛЬТР** - Повертаючи ручку (А, Мал. 27), щодня перевіряйте стан повітряного фільтра (В). Відкрийте фільтр (В), натиснувши на два язички (С). Очистіть знежирювачем Емак код 001101009А, промийте водою та продуйте на віддалі стислим повітрям у напрямку зсередини назовні. Якщо він виявиться занадто брудним чи пошкодженим, замініть його.

**⚠ УВАГА!** - При установці на місце фільтра (В), правильно вставте його у відповідне гніздо в кришці.

**ПАЛИВНИЙ ФІЛЬТР** - Періодично перевіряйте стан паливного фільтра. Якщо він виявиться занадто брудним, замініть його (Мал. 28).

**МАСТИЛЬНИЙ НАСОС (автоматичний, регульований)** - Регулювання виконано виробником. За необхідності витрата мастила може бути відрегульована оператором за допомогою регульовального гвинта (Мал. 32). Витрата мастила відбувається тільки тоді, коли ланцюг рухається.

**⚠ УВАГА** - Ні в якому разі не можна використовувати відпрацьоване мастило.

**СТАРТЕР** - Використовуйте пензлик або стисле повітря для очищення охолоджуючих отворів стартера.

**ДВИГУН** - Періодично чистіть оребріння циліндра пензликом або стислим повітрям. Забруднення циліндра може призвести до небезпечного перегрівання двигуна.

**СВІЧКА ЗАПАЛЮВАННЯ** - Рекомендується регулярно чистити свічку запалювання й перевіряти відстань між електродами (Мал. 29). Використовуйте свічку TORCH L8RTF або іншої марки з аналогічними температурними характеристиками.

**ГАЛЬМО ЛАНЦЮГА** - Якщо гальмо ланцюга працює несправно, зніміть кришку ланцюга й прочистіть компоненти гальма. Якщо стрічка гальма зношена або деформована, замініть її.

**ШИНА** - Перевернувши шину, перевірте, щоб мастильні отвори були вільні від забруднень.

Не використовуйте паливо (суміш) для чищення.

#### **КАРБЮРАТОР**

Перед регулюванням карбюратора очистіть стартерний шнур, повітряний фільтр (Мал. 27) та прогрійте двигун.

Карбюратор (Рис. 30) відрегульовано виробником за допомогою гвинта L (відкриття приблизно на 1 оберт + 1/2) та гвинта H (відкриття приблизно на 1 оберт +1/2).

UK

Гвинт мінімального режиму Т регулюється таким чином, щоб забезпечити запас надійності між режимом холостого ходу і режимом вмикання зчеплення.

Гвинт L слід відрегулювати так, щоб двигун негайно відповідав на різкі прискорення і добре працював на мінімальних обертах.

Гвинт H слід відрегулювати так, щоб двигун мав максимальну потужність під час розпилювання.

**⚠ УВАГА - На роботу карбюратора можуть впливати погодні умови і висота над рівнем моря. Не дозволяйте, щоб сторонні особи знаходилися поруч з пилкою під час роботи або під час регулювання карбюратора.**

### ТЕХОГЛЯД

В кінці сезону у разі інтенсивної експлуатації та кожних два роки у разі звичайної експлуатації доцільно звертатися до фахівця сервісного центру для проведення повного техогляду.

**⚠ УВАГА! УВАГА! - Всі роботи з технічного обслуговування, не описані у цьому керівництві з експлуатації, повинні виконуватися фахівцями уповноваженого сервісного центру.** Пам'ятайте, що для забезпечення безперервної та справної роботи бензопили заміну деталей слід проводити, використовуючи тільки **ФІРМОВІ ЗАПЧАСТИНИ**.

**⚠ Внесення змін без згоди виробника та використання неоригінальних запчастин може призвести до нанесення важких та смертельних травм оператору та стороннім.**

### ТРАНСПОРТУВАННЯ

Переносити ланцюгову пилку можна лише при вимкненому двигуні та шині, розверненій убік від себе, з чохлом на ланцюгу (Мал. 31).

**⚠ УВАГА – Під час перевезення бензопили на транспортному засобі перевірте, щоб вона була правильно та надійно закріплена за допомогою ременів. Транспортуйте машину у горизонтальному положенні, переконавшись, що при цьому не порушуються правила транспортування таких машин.**

## ТАБЛИЦЯ ТЕХНІЧНОГО ОБСЛУГОВУВАННЯ

Наголошуємо, що наведений графік технічного обслуговування передбачає експлуатацію бензопили за звичайних робочих умов. Якщо умови повсякденної експлуатації виявляються суворішими, інтервали між операціями з технічного обслуговування слід відповідно скоротити.

		Перед кожним використанням	Після кожної зупинки для доливання палива	Щодня	В разі зносу чи пошкодження
Вся машина	Перевірити: протікання, тріщини, знос	X	X		
Перевірка: вимикач, стартер, важіль акселератора та важіль зупинки акселератора	Перевірити роботу	X	X		
Гальмо ланцюга	Перевірити роботу	X	X		
	Перевірити, звернувшись до уповноваженого фахівця				X
Паливний та мастильний баки	Перевірити: протікання, тріщини та знос	X	X		
Паливний фільтр	Перевірити і змастити			X	
	Замінити фільтруючий елемент				X
Змащування ланцюга	Перевірити ефективність	X	X		
Ланцюг	Перевірити: пошкодження, заточення та знос	X	X		
	Перевірити натяг	X	X		
	Заточення: перевірити глибину проходу				X
Шина	Перевірити: пошкодження та знос	X	X		
	Прочистити паз та маслопровід	X			
	Обернути, змастити зірочку й зняти задирки			X	
	Замінити				X
Зубчасте коліща	Перевірити: пошкодження і знос			X	
	Замінити				X
Муфта зчеплення	Перевірити: пошкодження і знос			X	
	Замінити				X
Зупин ланцюга	Перевірити: пошкодження і знос	X	X		
	Замінити				X
Усі доступні гвинти і гайки (за винятком гвинтів карбюратора)	Перевірити та затягнути			X	
Повітряний фільтр	Прочистити	X			
	Замінити				X
Оребріння циліндра та отворів стартерного картера	Почистити			X	
Стартерний шнур	Перевірити: пошкодження і знос			X	
	Замінити				X
Карбюратор	Перевірити на холостому ходу (на холостому ходу ланцюг не повинен обертатися)	X	X		
Свічка запалювання	Перевірити відстань між електродами			X	
	Замінити				X
Противібраційна система	Перевірити: пошкодження і знос			X	

**UK**

## 9. ЗБЕРІГАННЯ

Якщо плануються простоювання протягом тривалого часу:

- Спорожніть та очистіть паливний та мастильний баки у добре провітрюваному місці.
- Утилізуйте паливо й мастило відповідно до вимог діючого законодавства щодо захисту довкілля.
- Спорожніть карбюратор, увімкнувши двигун та залишивши його працювати до зупину (суміш, яка залишається у карбюраторі, може пошкодити мембрани).
- Зніміть шину, почистіть та нанесіть захисне мастило.
- Ретельно очистіть вентиляційні отвори картера стартерного вузла, повітряний фільтр (Мал. 27) та оребріння циліндра.
- Зберігайте машину в сухому місці, по можливості не в прямому контакті з ґрунтом, подалі від джерел тепла, з порожніми баками. -Процедура введення в експлуатацію після зимового зберігання тотожна стандартній процедурі запуску машини (стор. 76).

### ЗАХИСТ ДОВКІЛЛЯ

Захист довкілля повинен бути важливим та пріоритетним аспектом експлуатації машини, мета якого - покращення суспільства й довкілля, у якому ми живемо.

- Не порушуйте спокою оточуючих.
- Ретельно дотримуйтесь місцевого законодавства в області утилізації пакувальних матеріалів, мастил, бензину, акумуляторів, фільтрів, зношених деталей та будь-яких матеріалів, здатних значно вплинути на довкілля; ці відходи не можна викидати у сміттєві контейнери, їх потрібно окремо відвозити до спеціальних центрів збору відходів, які забезпечать їх переробку.

### Демонтаж та утилізація

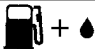

Після виведення пилки з експлуатації не залишайте її у довкіллі, а відвезіть до центру збору відходів.

Більшу частину матеріалів, з яких виготовлено машину, можна переробити; всі металеві частини (сталь, алюміній, латунь) можна здати в пункт прийому металобрухту. За додатковою інформацією зверніться до місцевої служби

збору відходів. Під час утилізації відходів, отриманих внаслідок виведення з експлуатації машини, потрібно з турботою ставитися до охорони довкілля, уникаючи забруднення ґрунту, повітря та води.

**У будь-якому випадку потрібно дотримуватись вимог діючого місцевого законодавства.**

## 10. ТЕХНІЧНІ ХАРАКТЕРИСТИКИ

	GSH 51 MTH 510	GSH 56 MTH 560	
Об'єм циліндра	50.9 cm <sup>3</sup>	54.5 cm <sup>3</sup>	
Двигун	2-тактовий Emak		
Потужність	2.2 kW	2.6 kW	
Мінімальне число обертів	2.700÷3.000 min <sup>-1</sup> *		
Максимальне число обертів	12.000 min <sup>-1</sup> *	12.500 min <sup>-1</sup> *	
Кнопка підсмоктуючого насоса	Так		
Гвинт бокового натягувача ланцюга	Так		
Число зубців шестірні	7		
Вага без шини і ланцюга	5.3 kg	5.4 kg	
Об'єм паливного бака 	550 (0.55) cm <sup>3</sup> (ℓ)		
Об'єм бака для мастила ланцюга 	260 (0.26) cm <sup>3</sup> (ℓ)		
Швидкість ланцюга при 133% від швидкості при максимальній потужності двигуна	3/8"	26.7 m/s	27.8 m/s
	.325"	23.1 m/s	24.1 m/s
* Число обертів у холостому режимі з шиною та ланцюгом			

UK

Рекомендована комбінація шин та ланцюгів	GSH 51 - MTH 510 - GSH 56 - MTH 560			
Крок та товщина ланцюга	0.325" x .050"	0.325" x .058"	3/8" x .058"	
Довжина шини	18" (45 cm)		20" (50 cm)	
Тип шини	50310206 50310214	50310207 50310215	50310121 50310233	50310177 50310234
Глибина пропили	95VPX072X	21BPX078X	73DPX068X	73DPX072X
Lunghezza di taglio	430 mm		475 mm	



**УВАГА!!!**

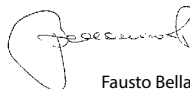
Ризик віддачі (kickback) збільшується в разі неправильного підбору комбінації шина/ланцюг! Використовуйте тільки рекомендовані комбінації шина/ланцюг та виконуйте вказівки щодо заточення.

			<b>GSH 51 MTH 510</b>	<b>GSH 56 MTH 560</b>	
Акустичний тиск	<b>dB (A)</b>	<b>L<sub>pa av</sub></b> EN 11681-1 EN 22868	<b>99.2</b>	<b>103.3</b>	*
Похибка	<b>dB (A)</b>		<b>2.7</b>	<b>3.1</b>	
Вимірний рівень звукової потужності	<b>dB (A)</b>	2000/14/EC EN 22868 EN ISO 3744	<b>110.2</b>	<b>113.4</b>	
Похибка	<b>dB (A)</b>		<b>2.7</b>	<b>3.0</b>	
Гарантований рівень звукової потужності	<b>dB (A)</b>	<b>L<sub>WA</sub></b> 2000/14/EC EN 22868 EN ISO 3744	<b>113.0</b>	<b>116.0</b>	
Рівень вібрації (3/8")	<b>m/s<sup>2</sup></b>	EN 11681-1 EN 22867 EN 12096	<b>5.2 (sx) 4.8 (dx)</b>	<b>7.3 (sx) 7.0 (dx)</b>	*
Похибка	<b>m/s<sup>2</sup></b>	EN 12096	<b>1.6 (sx) 1.7 (dx)</b>	<b>1.8 (sx) 2.1 (dx)</b>	
Рівень вібрації (.325")	<b>m/s<sup>2</sup></b>	EN 11681-1 EN 22867 EN 12096	<b>5.8 (sx) 5.3 (dx)</b>	<b>7.2 (sx) 7.0 (dx)</b>	*
Похибка	<b>m/s<sup>2</sup></b>	EN 12096	<b>1.6 (sx) 1.9 (dx)</b>	<b>1.6 (sx) 1.6 (dx)</b>	
<b>* Оцінні середні величини (1/3 мінімум, 1/3 повне навантаження, 1/3 макс. швидкість на холостому ходу)</b>					

## 11. ДЕКЛАРАЦІЯ ВІДПОВІДНОСТІ

Я, нижчепідписаний, **EMAK spa via Fermi, 4 - 42011 Bagnolo in Piano (RE) ITALY**  
заявляю під свою відповідальність, що машина:

1. Назва виробу:	<b>Ланцюгова пилка (бензопила)</b>
2. Марка: / Тип:	<b>OLEO-MAC GSH 51 - GSH 56 / EFCO MTH 510 - MTH 560</b>
3. серійний номер:	<b>837 XXX 0001 - 837 XXX 9999 (GSH 51 - MTH 510) 839 XXX 0001 - 839 XXX 9999 (GSH 56 - MTH 560)</b>
відповідає вимогам директив	<b>2006/42/EC - 2014/30/EU - 2000/14/EC</b>
відповідає вимогам наступних гармонізованих норм:	<b>EN ISO 11681-1 - EN ISO 11681-1/AM 1 - EN 55012</b>
відповідає моделі, яка отримала сертифікат ЄС №	<b>M.0303.17.5988 (GSH 51) - M.0303.17.5984 (GSH 56) M.0303.17.5990 (MTH 510) - M.0303.17.5986 (MTH 560)</b>
видано	<b>ICE v. Garibaldi, 20 - 40011 Anzola Emilia (BO) - Italy n° 0303</b>
Процедури, застосовані для оцінки відповідності	<b>Annex V - 2000/14/EC</b>
Вимірний рівень звукової потужності:	<b>110.2 dB(A) (GSH 51 - MTH 510) - 113.4 dB(A) (GSH 56 - MTH 560)</b>
Гарантований рівень звукової потужності:	<b>113.0 dB(A) (GSH 51 - MTH 510) - 116.0 dB(A) (GSH 56 - MTH 560)</b>
Виготовлено в:	<b>Bagnolo in piano (RE) Italy - via Fermi, 4</b>
Дата:	<b>20/06/2017</b>
Технічна документація зберігається в:	<b>Адміністративному відділі - Технічний керівник</b>




Fausto Bellamico - President

## 12. ГАРАНТІЙНИЙ СЕРТИФІКАТ

Даний виріб розроблено і виготовлено відповідно до найсучасніших виробничих технологій. Фірма виробник дає гарантію на нього на термін двадцять чотири (24) місяці з дня придбання у разі його використання в особистих цілях/в якості хобі. Гарантія обмежується 12 місяцями у разі його професійної експлуатації.

### Загальні гарантійні умови

- 1) Гарантійний термін встановлюється, починаючи з моменту придбання даного виробу. Компанія через свою торговельну мережу і мережу центрів технічної підтримки забезпечує безкоштовну заміну деталей, що мають дефекти вихідних матеріалів або виготовлення. Договір гарантії не впливає на права покупця, забезпечувані законодавством у відношенні наслідків дефектів або браку проданого виробу.
- 2) Технічний персонал фірми виконає гарантійні роботи максимально швидко в межах часу, обумовленого організаційними вимогами.
- 3) **Для одержання гарантійного обслуговування необхідно пред'явити уповноваженим представникам повністю заповнений нижченаведений гарантійний талон з печаткою дилера, а також чек, що підтверджує дату покупки.**
- 4) Виріб не підлягає гарантійному обслуговуванню:

- За очевидної відсутності обслуговування виробу,
  - У разі порушення умов експлуатації виробу або порушення конструкції,
  - Використання неналежного палива або мастила,
  - Використання запчастин або приладдя, що не є фірмовими,
  - Якщо ремонт виробу робився самостійно або в неавторизованій майстерні.
- 5) Фірма-виробник не надає гарантії на вузли, що швидко зношуються під час звичайної роботи і видаткові матеріали.
  - 6) Гарантія не передбачає вдосконалення або поліпшення виробу.
  - 7) Гарантія передбачає запуск і техобслуговування, виконувани в період гарантійного терміну
  - 8) Претензії щодо ушкоджень, заподіяних при транспортуванні, повинні негайно пред'являтися транспортувальнику, інакше умови гарантії можуть бути анульовані.
  - 9) Для двигунів інших марок (Briggs & Stratton, Subaru, Honda, Kipor, Lombardini, Kohler та ін.), встановлених на наших виробках, зберігається гарантія їхніх виробників.
  - 10) Гарантія не покриває прямий або непрямий збиток, що може бути заподіяний людям або їх власності, внаслідок несправності виробу або його вимушеного простою.

UK

МОДЕЛЬ

\_\_\_\_\_

СЕРІЙНИЙ  
НОМЕР

\_\_\_\_\_

ПОКУПЕЦЬ

\_\_\_\_\_

\_\_\_\_\_

\_\_\_\_\_

ДАТА

\_\_\_\_\_

ПРОДАВЕЦЬ

\_\_\_\_\_



Не надсилати окремо! Додати до заявки на надання гарантійної технічної допомоги

### 13. ПОШУК ТА ВИРІШЕННЯ ПРОБЛЕМ



**УВАГА: завжди зупиняйте машину та від'єднуйте свічку запалювання перед початком виконання усіх операцій, перелічених у таблиці нижче, за винятком випадків, коли їх виконання необхідне для роботи машини.**

Якщо після перевірок усіх можливих причин несправність залишається, зверніться до уповноваженого сервісного центру. В разі виявлення несправності, не вказаній у таблиці, зверніться до уповноваженого сервісного центру.

НЕСПРАВНІСТЬ	МОЖЛИВІ ПРИЧИНИ	УСУНЕННЯ
 Двигун не заводиться або гложне через декілька секунд піся заведення.	1. Відсутність іскри запалювання. 2. Заклинювання двигуна.	1. Перевірити іскру запалювання свічки. Відсутність іскри запалювання, повторити тест з новою свічкою (LBRTF). 2. Виконайте процедуру, описану на стор. 78 Якщо двигун знову не заводиться, повторіть процедуру, змінивши свічку.
Двигун заводиться, але не набирає потрібних обертів або неправильно працює на високій швидкості.	Відрегулювати карбюратор.	Зверніться до уповноваженого сервісного центру для регулювання карбюратора.
Двигун не розвиває повної швидкості і/або надто димить.	1. Перевірити суміш мастило / бензин. 2. Забруднений повітряний фільтр. 3. Відрегулювати карбюратор.	1. Залити свіжий бензин та мастило, що підходить для 2-тактових двигунів. 2. Почистити: див. вказівки у розділі «Технічне обслуговування повітряного фільтра». 3. Зверніться до уповноваженого сервісного центру для регулювання карбюратора.
Двигун заводиться, набирає обертів, збільшує швидкість, але не працює на холостому ходу.	Відрегулювати карбюратор.	Відрегулювати положення гвинта холостого ходу «Т» (Мал. 30) за годинниковою стрілкою для збільшення швидкості; див. розділ «Технічне обслуговування карбюратора».
Під час роботи шина й ланцюг нагріваються й димлять.	1. Бак для мастила ланцюга порожній 2. Надто тугий натяг ланцюга 3. Порушення у роботі системи змащування	1. Бак мастила слід наповнювати щоразу, коли наповнюється бак палива. 2. Натяг ланцюга; див. інструкції в розділі «Монтаж шини й ланцюга» (Стор. 75) 3. Залиште двигун працювати на повній потужності протягом 15-30 секунд. Зупиніть двигун та перевірте, чи присутні на кінчику шини краплини мастила. Якщо мастило присутнє, причиною порушення роботи може бути слабкий натяг ланцюга або пошкодження шини. Якщо мастило відсутнє, зверніться до уповноваженого сервісного центру.
 Двигун заводиться і працює, але ланцюг не обертається  <b>УВАГА: ніколи не торкайтеся ланцюга при працюючому двигуні.</b>	1. Увімкнене гальмо ланцюга 2. Надто тугий натяг ланцюга 3. Монтаж шини та ланцюга 4. Пошкоджена шина і/або ланцюг 5. Муфта зчеплення і/або зубчасте коліща пошкоджені	1. Виключіть гальмо ланцюга; див. розділ «Експлуатація - Гальмо ланцюга» (Стор. 79). 2. Натяг ланцюга; див. інструкції в розділі «Монтаж шини й ланцюга» (Стор. 75) 3. Див. інструкції в розділі «Монтаж шини й ланцюга» (Стор. 75) 4. Див. інструкції у розділі «Технічне обслуговування шини і/або ланцюга» (Стор. 80-81). 5. Замінити, якщо необхідно; зверніться до уповноваженого сервісного центру.



## TERJEMAHAN ARAHAN ASAL

### PENGENALAN

Untuk penggunaan yang betul mesin dan untuk mengelakkan kemalangan, jangan mula bekerja sehingga anda telah membaca manual ini dengan teliti. Anda akan mendapati penjelasan berkaitan operasi pelbagai bahagian termasuk arahan untuk semakan penting dan penyelenggaraan yang berkaitan.

**NOTA: Keterangan dan ilustrasi yang terkandung dalam manual ini adalah tidak terikat. Pengeluar memiliki hak untuk melakukan apa-apa pengubahsuaian yang dianggap perlu tanpa menyemak manual ini.**

Selain daripada arahan pengendalian, manual ini mengandungi perenggan yang memerlukan perhatian khusus anda. Perenggan tersebut ditanda dengan simbol yang diterangkan di bawah:

**AMARAN:** apabila terdapat risiko kemalangan atau peribadi, bahkan membawa maut, kecederaan atau kerosakan yang serius terhadap harta.

**PERINGATAN:** apabila terdapat risiko merosakkan mesin atau komponennya secara individu.

#### AMARAN

##### RISIKO KEROSAKAN PENDENGARAN

DALAM KEADAAN PENGGUNAAN BIASA, MESIN INI MUNGKIN MENDEDAHKAN PENGENDALI KEPADA TAHAP HINGAR HARIAN PERIBADI YANG BERSAMAAN DENGAN ATAU LEBIH TINGGI DARIPADA **85 dB (A)**

### KANDUNGAN

1. PENJELASAN SIMBOL DAN AMARAN KESELAMATAN _____	89
2. KOMPONEN GERGAJI RANTAI _____	89
3. PERINGATAN KESELAMATAN _____	89
4. MEMASANG BAR DAN RANTAI _____	91
5. MEMULAKAN _____	92
6. MENGHENTIKAN ENJIN _____	95
7. PENGGUNAAN _____	95
8. PENYELENGGARAAN _____	97
9. PENYIMPANAN _____	100
10. DATA TEKNIKAL _____	101
11. DEKLARASI PEMUATAN _____	102
12. SIJIL WARANTI _____	103
13. CARTA PENYELESAIAN MASALAH _____	104

## 1. PENJELASAN SIMBOL DAN AMARAN KESELAMATAN (Raj. 1)

1. Baca buku arahan pengendali sebelum mengendalikan mesin ini.
2. Pakai pelindung kepala, mata dan telinga.
3. Jenis mesin: **GERGAJI RANTAI**.
4. Nombor siri
5. Tahun pengeluaran
6. Mentol primer
7. Brek rantai, diaktifkan (kanan). Brek rantai, tidak diaktifkan (kiri).

## 2. KOMPONEN GERGAJI RANTAI (Raj. 2)

1. Tuil pencelik
2. Pencetus pendikit
3. Kunci keluar pencetus pendikit
4. Skru pelarasan karburetor
5. Tuil brek inersia
6. Peredam bunyi ekzos
7. Rantai
8. Bar pandu
9. Penutup penapis udara
10. Suis hidup/mati
11. Tudung tangki bahan api
12. Pemegang penghidup
13. Tudung tangki minyak
14. Mentol primer
15. Skru penegang rantai lateral
16. Pemegang depan
17. Pemegang belakang
18. Penutup bar

## 3. PERINGATAN KESELAMATAN

**⚠ AMARAN -** Jika digunakan dengan betul, gergaji rantai adalah alat yang cepat, mudah dikendalikan dan berkesan; jika digunakan dengan salah atau tanpa peringatan yang sewajarnya alat ini boleh menjadi alat yang berbahaya. Untuk kerja yang selesa dan selamat, sentiasa patuhi dengan ketat peraturan keselamatan yang berikut dan sepanjang manual ini.

MAL

**⚠️ AMARAN: Sistem pencucuh mesin anda menghasilkan medan elektromagnet dengan keamatan yang sangat rendah. Medan ini boleh mengganggu sesetengah perentak jantung. Untuk mengurangkan risiko kecederaan yang serius atau membawa maut, individu yang memakai perentak jantung hendaklah merujuk doktor mereka atau pengeluar perentak jantung sebelum menggunakan mesin ini.**

**⚠️ AMARAN: – Peraturan kebangsaan boleh mengehadkan penggunaan mesin ini.**

1. Jangan gunakan gergaji rantai sehingga anda telah sepenuhnya memahami kaedah pengendalian yang tertentu. Pengguna kali pertama mesti membiasakan diri mereka sendiri dengan teliti terhadap operasi mesin sebelum bekerja di dalam medan.
2. Gergaji rantai mestilah hanya digunakan oleh orang dewasa yang mempunyai keadaan fizikal yang baik dengan pengetahuan terhadap arahan pengendalian.
3. Jangan gunakan gergaji rantai apabila anda sedang letih secara fizikal atau jika anda telah mengambil alkohol, dadah atau ubat-ubatan.
4. Jangan sesekali pakai skarf, gelang tangan atau apa-apa yang lain yang boleh ditarik oleh mesin atau rantai. Pakai pakaian keselamatan yang sepadan.
5. Pakai kasut keselamatan tidak licin, sarung tangan, cermin mata, perlindungan telinga dan topi keledar keselamatan yang melindungi.
6. Jangan sesekali benarkan orang di sekeliling untuk kekal dalam kawasan anda bekerja apabila memulakan atau memotong dengan gergaji ini.
7. Jangan mulakan memotong sehingga anda mendapat kawasan kerja yang kosong. Jangan memotong berdekatan kabel elektrik.
8. Sentiasa potong daripada kedudukan yang dipijak dengan kukuh dan selamat.
9. Hanya gunakan gergaji rantai di tempat yang mempunyai pengudaraan yang baik, jangan kendalikan gergaji rantai dalam suasana yang mudah meletup atau mudah terbakar atau dalam persekitaran yang tertutup.
10. Jangan sesekali sentuh rantai atau cuba untuk menservis gergaji ketika enjin sedang berjalan.

11. Dilarang untuk memasang mana-mana peranti yang lain daripada yang dibekalkan oleh pengeluar.
12. Semua label dengan bahaya kesihatan mesti dipastikan dalam keadaan yang baik. Sekiranya berlaku kerosakan atau kemerosotan, segera gantikannya (Raj. 1).
13. Jangan gunakan mesin untuk kegunaan yang berbeza daripada yang dinyatakan dalam manual (lihat hlmn. 95).
14. Jangan sesekali tinggalkan mesin bersendirian dengan enjin berjalan.
15. Periksa gergaji rantai setiap hari untuk memastikan bahawa setiap peranti, sama ada untuk keselamatan atau sebaliknya, berfungsi.
16. Sentiasa ikut arahan pengeluar untuk operasi penyelenggaraan.
17. Jangan sesekali gunakan gergaji rantai yang telah rosak, diubah suai atau dibaiki atau dipasang dengan salah. Jangan keluarkan, rosakkan atau nyahaktifkan mana-mana peranti keselamatan. Hanya gunakan bar dengan panjang yang dinyatakan dalam jadual.
18. Jangan sesekali jalankan operasi atau pembaikan dengan sendiri yang selain daripada penyelenggaraan rutin. Hubungi bengkel kerja yang pakar dan disahkan sahaja.
19. Jangan sesekali mulakan gergaji rantai tanpa penutup rantai dipasang.
20. Jika gergaji rantai anda tidak lagi boleh digunakan, lupuskannya dengan betul tanpa merosakkan persekitaran dengan menyerahkannya kepada Penjual setempat anda yang akan mengaturkan untuk pelupusannya yang betul.
21. Hanya pinjamkan gergaji anda kepada pengguna pakar yang sepenuhnya biasa dengan pengendalian gergaji dan penggunaan yang betul. Berikan pengguna yang lain manual dengan arahan pengendalian, yang mereka harus baca sebelum menggunakan gergaji ini.
22. Semua servis gergaji, selain daripada pengendalian yang ditunjukkan dalam manual semasa, hendaklah dilakukan oleh kakitangan yang kompeten.
23. Simpan tangan ini dalam tangan dan rujuk padanya sebelum setiap penggunaan alat ini.

24. Sila ambil perhatian bahawa pemilik atau pengguna bertanggungjawab ke atas sebarang kemalangan atau kerosakan terhadap pihak ketiga atau harta mereka.

#### PAKAIAN PERLINDUNGAN KESELAMATAN

**⚠** Kejadian besar kemalangan gergaji rantai berlaku apabila rantai terkena pengendali.

**Ketika bekerja dengan gergaji rantai, sentiasa gunakan pakaian perlindungan keselamatan yang diluluskan.** Kegunaan pakaian perlindungan tidak menghapuskan risiko kecederaan, tetapi mengurangkan kesan kecederaan sekiranya berlaku kemalangan. Rujuk pembekal anda yang dipercayai untuk memilih peralatan yang mencukupi.

Pakaian tersebut mestilah betul dan bukan suatu halangan. Pakai pakaian anti-potong yang merekat. **Jaket anti-potong, seluar dungari dan sarung betis adalah ideal.** Jangan pakai pakaian, skarf, tali leher atau gelang tangan yang boleh tersekat ke dalam kayu atau ranting. Ikat dan lindungi rambut yang panjang (cotnoh dengan fulard, topi, topi keledar dsb.)

**Kasut keselamatan atau but yang mempunyai tapak tahan gelincir dan sisipan anti-tembus.**

**Pakai topi keledar pelindung** di tempat yang mungkin terdapat objek terjatuh.

**Pakai kaca mata gogal pelindung atau skrin muka!**

**Gunakan perlindungan terhadap bunyi; sebagai contoh pelapik telinga atau penyumbat telinga pengurangan hingar.** Penggunaan perlindungan untuk telinga memerlukan lebih banyak perhatian dan peringatan, kerana penerimaan isyarat audio bahaya (jeritan, penggera dsb.) adalah terhad.

**Pakai sarung tangan antipotong.**

#### 4. MEMASANG BAR DAN RANTAI

**⚠ AMARAN - Sentiasa pakai sarung tangan kerja semasa prosedur pemasangan. Gunakan hanya bar dan rantai yang disyorkan oleh pengeluar (halaman 101).**

- Tarik pengadang (Raj. 3) ke arah pemegang depan untuk memeriksa bahawa brek rantai

tidak dihidupkan.

- Keluarkan nat bar (A) dan penutup rantai (B, Raj. 4).
- Keluarkan dan buang sendal daripada stad bar (C, Raj. 5).
- Ambil tuas pengetat rantai (D, Raj. 5) kepada penghenti had, dengan membuka skru semua skru pengetat rantai (L).
- Letakkan bar (F, Raj. 3) kepada stad (N).
- Pasangkan rantai (H, Raj. 6) di dalam gegancu (E) dan alur bar (M). Ambil perhatian terhadap arah putaran rantai (Raj. 8).
- Letakkan penutup rantai ke bawah, memasukkannya ke dalam sarungnya dan memastikannya ditekan terhadap bar, skrukan skru pengetat rantai (L, Raj. 7) supaya tuas (D, Raj. 5) masuk ke dalam lubang (G) pada bar.
- Pasangkan penutup rantai dan nat yang berkaitan tanpa menyetatkannya.
- Tegangkan rantai dengan cara menegangkan skru (L, Raj. 7).
- Pegang hujung bar pandu ke atas dan ketatkan nat penutup rantai dengan ketat (Raj. 9). Tork pengetatan adalah 1,5 kgm (15Nm). Rantai hendaklah tegang tetapi berpusing secara bebas dengan tangan (Raj. 10).
- Rantai ini ditegangkan dengan betul apabila rantai boleh ditarik ke atas beberapa milimeter (Raj. 10).

**⚠ AMARAN - Sentiasa kekalkan tegangan rantai yang betul.** Rantai yang kendur dengan melampau meningkatkan risiko tolak keluar dan rantai boleh menempuh keluar daripada saluran bar; kejadian ini boleh menyebabkan kecederaan kepada pengendali dan merosakkan rantai. Rantai yang kendur dengan melampau boleh mengakibatkan kehausan rantai, bar dan gegancu dengan cepat. Sebaliknya, rantai yang terlalu tegang akan cenderung untuk memberi muatan berlebihan kepada motor dengan mengakibatkan kerosakan. **Rantai yang ditegangkan dengan betul memberikan sifat pemotongan yang terbaik, keselamatan yang optimum, dan hayat berfungsi yang panjang bagi rantai.** Hayat berfungsi rantai bergantung kepada penegangan yang betul dan pelinciran yang betul.

MAL

## 5. MEMULAKAN

### MENGISI BAHAN API

**⚠️ AMARAN: Gasolin adalah bahan api yang sangat mudah terbakar. Lakukan pengawasan yang tinggi apabila mengendalikan gasolin atau campuran bahan api. Jangan merokok atau membawa sebarang api atau nyalaan berdekatan dengan bahan api atau gergaji rantai.**

- Untuk mengurangkan risiko kebakaran dan kecederaan lecur, kendalikan bahan api dengan berhati-hati. Bahan api adalah sangat mudah terbakar.
- Campurkan dan simpan bahan api dalam bekas yang diluluskan untuk gasolin.
- Campur bahan api di luar di tempat yang tiada pencucuhan atau nyalaan.
- Pilih tanah terdedah, hentikan enjin dan biarkan menyejuk sebelum mengisi semula bahan api.
- Longgarkan tudung bahan api dengan perlahan untuk melepaskan tekanan dan untuk memastikan bahan api tidak terkeluar di sekeliling tudung.
- Ketatkan tudung bahan api dengan ketat selepas mengisi semula. Gegaran unit boleh mengakibatkan tudung bahan api yang diketatkan dengan salah untuk melonggar atau tertanggal dan menumpahkan sejumlah bahan api.
- Sapu bahan api yang tertumpah daripada unit. Beralih 3 meter jauh daripada tapak pengisian semula sebelum memulakan enjin.
- Jangan sesekali cuba untuk membakar bahan api yang tumpah dalam apa jua keadaan.
- Jangan merokok ketika mengendalikan bahan api atau ketika mengendalikan gergaji rantai.
- Simpan bahan api di tempat yang sejuk, kering, mempunyai pengudaraan yang baik.
- Jangan sesekali letakkan mesin di tempat yang boleh terbakar seperti daun kering, straw, kertas dsb.
- Simpan unit dan bahan api di kawasan tempat wap bahan api tidak boleh mencapai pencucuhan atau nyalaan terbuka daripada pemanas air, motor elektrik atau suis, relau dsb.
- Jangan sesekali tanggalkan tudung tangki ketika enjin sedang berjalanan.
- Jangan sesekali gunakan bahan api untuk operasi pembersihan.
- Berhati-hati supaya tidak terkena bahan api pada pakaian anda.



Produk ini digerakkan oleh enjin 2-kitar dan memerlukan campuran awal gasolin dan minyak 2-kitar. Campurkan lebih awal gasolin tanpa plumbum dan minyak enjin 2-kitar dalam bekas yang bersih yang diluluskan untuk gasolin.

**BAHAN API YANG DISYORKAN: ENJIN INI DISAHKAN UNTUK DIKENDALIKAN PADA GASOLIN TANPA PLUMBUM YANG BERTUJUAN UNTUK KEGUNAAN AUTOMOTIF DENGAN KADARAN OKTANA 89 ((R + M) / 2) ATAU LEBIH TINGGI.**

Campurkan minyak enjin 2-kitar dengan gasolin menurut arahan pada bungkusan.

Kami sangat mengesyorkan penggunaan minyak enjin dua kitaran **2% (1:50)** Oleo-Mac / Efco, yang dirumuskan secara khas untuk semua enjin dua-lejang dingin udara.

Perkadaran minyak / bahan api yang betul ditunjukkan dalam jadual yang bersesuaian apabila menggunakan Oleo-Mac / Efco **PROSINT 2** dan **EUROSINT 2** atau minyak enjin berkualiti tinggi yang bersamaan (**JASO spesifikasi FD** atau **ISO spesifikasi L-EGD**).

GASOLIN	MINYAK	
		
	2% - 50:1	
ℓ	ℓ	(cm <sup>3</sup> )
1	0,02	(20)
5	0,10	(100)
10	0,20	(200)
15	0,30	(300)
20	0,40	(400)
25	0,50	(500)

**⚠️ PERINGATAN: JANGAN GUNAKAN MINYAK AUTOMOTIF ATAU MINYAK SANGKUT 2-KITAR.**

**⚠️ PERINGATAN:**

- **Padankan pembelian bahan api anda dengan penggunaan anda; jangan beli lebih banyak daripada yang anda akan gunakan dalam satu atau dua bulan;**
- **Simpan gasolin dalam bekas yang bertutup ketat di tempat yang sejuk, kering.**

**⚠️ PERINGATAN - Untuk campuran, jangan sesekali gunakan bahan api dengan peratus etanol lebih tinggi daripada 10%; gasohol (campuran gasolin dan etanol) sehingga 10% etanol atau bahan api E10 adalah boleh diterima.**

**NOTA** - Sediakan hanya kuantiti campuran yang diperlukan untuk kegunaan segera; jangan tinggalkan bahan api dalam tangki atau bekas untuk masa yang lama. Disyorkan penggunaan bahan tambahan **Emak ADDITIX 2000** kod 001000972 jika campuran akan disimpan selama 12 bulan.

### Alkilat gasolin

**⚠ PERINGATAN** – Bahan api alkilat mempunyai ketumpatan yang berbeza daripada bahan api normal. Oleh itu enjin, ditetapkan dengan bahan api yang normal, memerlukan pengaturan jet H yang berbeza untuk mengelakkan masalah yang kritikal. Untuk pengendalian ini adalah penting untuk berpaling kepada Penjual Servis yang Berlesen.

### MENGISI TANGKI

Kacau campuran dengan baik sebelum mengisi semula.

**⚠ AMARAN:** Ikut arahan keselamatan untuk pengendalian bahan api. Sentiasa matikan enjin sebelum mengisi semula. Jangan sesekali tambah bahan api kepada mesin dengan enjin yang sedang berjalan atau panas. Beralih sekurang-kurangnya 3 m jauh daripada tapak pengisian semula sebelum memulakan enjin. **JANGAN MEROKOK!**

1. Bersihkan permukaan di sekeliling tudung bahan api untuk mencegah pencemaran.
2. Longgarkan tudung bahan api dengan perlahan.
3. Tuangkan campuran bahan api dengan berhati-hati ke dalam tangki. Elakkan tumpahan.
4. Sebelum menggantikan tudung bahan api, bersihkan dan periksa gasket.
5. Segera gantikan tudung bahan api dan ketatkan dengan tangan. Sapu mana-mana tumpahan bahan api.

**⚠ AMARAN:** Periksa jika terdapat kebocoran bahan api, jika sebarang kebocoran ditemui, betulkan sebelum menggunakan. Hubungi Penjual Servis jika perlu.

### PENGISIAN MINYAK DAN PELINCIRAN RANTAI

Gergaji rantai dilincirkan secara automatik semasa penggunaan dengan pam yang biasanya tidak memerlukan penyelenggaraan. Aliran

minyak di kawal selia lebih awal oleh pengeluar untuk memastikan penghantaran minyak yang mencukupi di bawah keadaan bekerja yang berat. Semasa memotong kayu balak yang nipis kemungkinan minyak menitis adalah biasa.

- Sentiasa sapukan di sekeliling lubang pengisi sebelum membuka skru tudung (13, Raj. 2) supaya tiada kotoran memasuki takungan minyak.
- Semasa bekerja lihat paras minyak.
- Selepas mengisi, kendalikan motor 2 atau 3 kali untuk memulihkan penghantaran minyak yang betul.
- Sekiranya rosak jangan cuba untuk membaiki mesin dengan sendiri, tetapi mohon kepada penjual yang disahkan.

Pelinciran rantai yang betul semasa fasa pemotongan mengurangkan haus sehingga minimum antara rantai dan bar oleh itu memanjangkan hayat. Sentiasa gunakan minyak yang berkualiti baik.

**⚠ AMARAN** - Jangan sesekali gunakan minyak sisa!

Sentiasa gunakan pelincir terbiodegradasi (eco-lube Oleo-Mac / Efco) yang khusus untuk bar dan rantai dan juga menghormati alam sekitar, kesihatan pengendali dan bahagian gergaji rantai.

**⚠** Sebelum memulakan pastikan rantai tidak terhalang.

**⚠** Apabila enjin melahu rantai tersebut mestilah tidak berpusing. Sebaliknya hubungi Pusat Servis Yang Sah untuk melakukan pemeriksaan dan betulkan masalah tersebut.

**⚠** Apabila gergaji rantai sedang berjalan, cengkam pemegang depan dengan kuat dengan tangan kiri anda dan pemegang belakang dengan tangan kanan anda (Raj.11).

- Jangan membongkok ke depan dan jangan potong di atas ketinggian bahu; mencengkam gergaji rantai pada bahagian atas pemegang menjadikannya sukar untuk dikawal dan mengatasi tolak keluar.
- Periksa bahawa semua bahagian badan dijauhkan daripada rantai dan peredam bunyi.
- Orang kidal hendaklah mematuhi arahan ini juga. Pastikan kedudukan berdiri pemotongan yang betul.

MAL

**⚠ Pendedahan berlebihan terhadap gegaran boleh mengakibatkan kecederaan saluran darah atau saraf kepada orang yang mempunyai masalah peredaran darah. Dapatkan perhatian perubatan jika anda mengalami simptom fizikal seperti kekebasan, kurang rasa, pengurangan dalam kekuatan normal, perubahan warna kulit. Simptom ini biasanya muncul dalam jari, tangan atau pergelangan.**

### Enjin Dibanjiri

- Tetapkan suis hidup/mati kepada **HENTI** (0) (B, Raj. 13).
- Tanggalkan skru pada penutup (A, Raj. 25).
- Tanggalkan penutup.
- Tinjau but palam pencucuh.
- Buka skru dan keringkan palam pencucuh.
- Buka pendikit dengan luas.
- Tarik tali penghidup beberapa kali untuk mengosongkan bekuk pembakaran.
- Muatkan semula palam pencucuh dan sambungkan but palam pencucuh, tekan ke bawah dengan **kuat**.
- Tetapkan suis hidup/mati kepada I, kedudukan permulaan.
- Tetapkan tuil pengecik kepada kedudukan **BUKA** – walaupun jika enjin sejuk.
- Sekarang mulakan enjin.

**⚠ AMARAN** – Jangan sesekali mulakan enjin gergaji tanpa bar, rantai dan penutup cekam (brek rantai) dipasang - atau jika tidak cekam boleh menjadi **longgar** dan menyebabkan kecederaan peribadi.

### MEMULAKAN ENJIN

**Brek rantai mesti dipasang apabila memulakan gergaji. Tetapkan brek rantai dengan menolak tuil brek rantai / pengadang tangan ke depan (ke arah bar), ke kedudukan brek (Raj. 12).** Isikan karburetor dengan menolak mentol primer (A, Raj. 14). Letakkan suis **HIDUP/MATI** (B, Raj. 13) dalam kedudukan "I". Tarik tuil pengecik (D, Raj. 14) **CLOSE**. Letakkan gergaji rantai di atas tanah dalam kedudukan yang stabil. Periksa bahawa rantai bebas untuk berpusing dan tidak menyentuh mana-mana objek asing. Sebelum anda memulakan enjin, pastikan bahawa rantai gergaji tidak menyentuh mana-mana objek. Jangan sesekali cuba untuk memulakan gergaji apabila bar pandu berada dalam pematongan. Tahan pemegang depan dengan kuat dengan tangan kiri dan letakkan kaki kanan anda ke atas dasar pemegang belakang (Raj. 15). Tarik kord penghidup

beberapa kali sehingga **tendangan** pertama ke atas enjin didengari. Tolak tuil pengecik dalam (D, Raj. 14) kepada kedudukan "BUKA" asalnya. Tarik kord penghidup untuk memulakan enjin. Sebaik sahaja enjin berjalan lepaskan brek rantai dan **tunggu selama beberapa saat**. Kemudian pecutkan dengan pendikit (C, Fig. 13) untuk menembak peranti penyekat pendikit separuh. **Lepaskan brek (Raj. 3).**

**⚠ AMARAN** - Sebaik sahaja enjin dipanaskan jangan gunakan pengecik untuk menghidupkan sekali lagi.

**⚠ AMARAN** - Gunakan peranti separa-pecutan hanya dalam fasa menghidupkan enjin.

### MEMECAH MASUK ENJIN

Enjin mencapai kuasa maksimum selepas 5÷8 jam aktiviti.

Semasa tempoh memecah masuk ini jangan gunakan enjin pada pendikit terbuka meluas tanpa muatan, untuk mengelakkan tekanan berfungsi yang berlebihan.

**⚠ AMARAN!** - Semasa tempoh pemecahan jangan pelbagaikan pengkarburetan untuk mendapatkan peningkatan kuasa yang dianggap; enjin tersebut boleh rosak.

**NOTA:** Normal untuk asap dikeluarkan daripada enjin baru semasa dan selepas penggunaan pertama.

### MEMECAH MASUK RANTAI

Rantai baru akan meregang dan mesti diketatkan dengan kerap. Pelarasan ketegangan hendaklah hanya dibuat apabila rantai sejuk. Terlebih dahulu, pusingkan rantai dan lincirkannya dengan minyak tambahan. Kemudian mulakan gergaji dan biarkannya untuk berjalan pada kelajuan sederhana, memeriksa bahawa pam minyak berfungsi dengan betul. Hentikan enjin dan laraskan tegangan rantai. Hidupkan gergaji sekali lagi dan buat beberapa potongan dalam batang untuk memanaskan rantai. Hentikan enjin, biarkan rantai menyejuk dan laraskan sekali lagi. Ulang proses ini sehingga rantai mengekalkan tegangan yang betul. Jangan sentuh dasar tanah dengan rantai.

**⚠ AMARAN** - Jangan sesekali sentuh rantai ketika motor sedang berjalan. Jangan sentuh dasar tanah dengan rantai.

## 6. MENGHENTIKAN ENJIN

Lepaskan tuil pendikit (C, Raj. 13) dan biarkan enjin kembali melahu. Matikan enjin, letakkan suis HIDUP/MATI (B) dalam kedudukan HENTI (O).

**⚠ JANGAN letakkan gergaji rantai di atas tanah apabila rantai masih bergerak.**

## 7. PENGGUNAAN

### BREK RANTAI

Brek rantai inersia memastikan keselamatan maksimum dalam menggunakan gergaji rantai. Bahagian ini melindungi pengendali daripada tolak keluar berbahaya yang boleh berlaku ketika fasa bekerja. Bahagian ini digerakkan, dengan kunci segera berturutan rantai, apabila pengendali menekan tuil (operasi manual) atau secara automatik oleh inersia apabila perlindungan ditolak ke depan (Raj. 16) sekiranya berlaku tolak keluar secara tiba-tiba (operasi inersia).

Brek rantai dilepaskan dengan menarik tuil ke arah pengendali (Raj.3).

### MEMERIKSA OPERASI BREK

Pada pemeriksaan mesin sebelum setiap tugas, periksa keadaan pengendalian brek berikutan langkah-langkah di bawah:

1. Mulakan enjin dan cengkam pemegang dengan ketat dengan kedua-dua tangan.
2. Menarik tuil pendikit untuk mengekalkan operasi rantai, tolak tuil brek ke bawah ke arah depan menggunakan belakang tangan kiri anda (Raj. 11).
3. Apabila brek beroperasi dan rantai dihentikan, lepaskan tuil pendikit.
4. Lepaskan brek (Raj.3).

**PENYELENGGARAAN BREK:** sentiasa pastikan mekanisme brek rantai bersih dan lincirkan keupmipan. Periksa haus pada tali sawat brek. Ketebalan minimumnya mestilah **0.30 mm**.

### KEGUNAAN YANG DILARANG

**⚠ AMARAN - Sentiasa patuhi peraturan keselamatan. Gergaji rantai ini direka bentuk dan dibina untuk memangkas dan merawat pokok atau pokok renek yang berdiri. Dilarang untuk memotong jenis bahan yang lain. Gegaran dan tolak keluar berbeza mengikut bahan yang berbeza dan syarat-syarat peraturan keselamatan tidak**

**akan dipatuhi. Jangan gunakan gergaji rantai sebagai umpil untuk mengangkat, menggerakkan atau memisahkan objek. Jangan kuncikannya pada dirian yang tetap. Dilarang untuk menyangkut alatan atau aplikasi kepada P.t.o. yang tidak dinyatakan oleh pengeluar.**

### PERINGATAN UNTUK KAWASAN KERJA

- Jangan bekerja berdekatan kabel elektrik.
- Bekerja hanya dalam keadaan yang menawarkan kebolehlihatan dan cahaya yang mencukupi untuk melihat dengan jelas.
- Hentikan enjin sebelum menetapkan gergaji rantai ke bawah.
- Berhati-hati secara khusus dan waspada apabila memakai pelindung telinga, kerana ini boleh menghadkan kebolehan anda untuk mendengar bunyi yang menunjukkan bahaya (jeritan, isyarat, amaran dsb.)
- Sangat berhati-hati apabila bekerja pada cerun atau permukaan yang tidak rata.
- Jangan potong di atas ketinggian dada, kerana gergaji yang dipegang lebih tinggi adalah sukar untuk dikawal terhadap daya tolak keluar.
- **Jangan potong daripada tangga, ini adalah sangat berbahaya.**
- Hentikan gergaji jika rantai terkena objek asing. Periksa gergaji dan baiki bahagian jika perlu.
- Pastikan rantai tidak terkena kotoran dan pasir. Walaupun sedikit kotoran akan dengan cepat menumpulkan rantai dan meningkatkan kemungkinan tolak keluar.
- Sentiasa pastikan pemegang kering dan bersih.
- Apabila memotong cabang yang sedang tegang, waspada terhadap anjal supaya anda tidak akan terkena apabila ketegangan dalam gentian kayu dilepaskan.
- Berhati-hati apabila memotong dahan kecil atau pokok renek yang boleh menyekat rantai, terlontar balik ke arah anda atau menyebabkan anda hilang keseimbangan anda.

### ARAHAN PENGENDALIAN

**⚠ AMARAN - Pengisian pokok adalah tugas yang memerlukan pengalaman. Jangan lakukan pengisian pokok jika anda tidak berpengalaman. ELAKKAN SEMUA TRANSAKSI UNTUK YANG ANDA TIDAK LAYAK! Disyorkan bahawa pengendali yang tidak berpengalaman untuk mengelakkan pengisian pokok jika batang mempunyai**

MAL

diameter lebih besar daripada panjang bar. Apabila menggunakan gergaji rantai buat kali pertama, buat beberapa potongan dalam batang kecil untuk membiasakan diri dengan gergaji secara praktikal. Sentiasa gunakan pendikit penuh apabila memotong dengan gergaji, tanpa mengira saiz kayu balak. Jangan sesekali tolak ke bawah pada gergaji apabila memotong. Berat gergaji sahaja membolehkannya untuk memotong dengan betul dengan usaha yang minimum.

**⚠️ AMARAN - Jangan sesekali potong ketika angin kuat, cuaca buruk, apabila penglihatan tidak baik atau dalam suhu yang sangat tinggi atau rendah. Sentiasa periksa pokok sekiranya terdapat dahan yang mati yang boleh terjatuh ketika operasi penebangan.**

### PENEANGAN POKOK

Dalam operasi pengisian pokok dan perontaan gunakan kehadiran bampar pancang, berputar padanya. Kaji pokok dan kawasan sekitar sebelum memulakan memotong. Kosongkan kawasan kerja sebelum mula memotong. Sediakan laluan yang seluas yang mungkin untuk berundur apabila pokok jatuh (Raj.17). Potong mana-mana dahan di bawah batang sehingga ketinggian lebih kurang 2 meter. Buat takuk 90 darjah pada muka pokok, dalam arah pokok akan jatuh. Kedalaman takuk hendaklah tidak sesekali melebihi 1/4 daripada diameter batang (1 - Raj.18).

Lebih kurang 10 cm ke atas batang buat potongan ke arah potongan pertama, untuk mendapatkan baji. Ini adalah mulut bagi engsel, dan adalah arah yang pokok tersebut akan jatuh (2 - Raj.18).

Sekarang, buat potongan penebangan anda pada bahagian yang berlawanan pada batang. Mulakan potongan lebih kurang 4-5 cm lebih tinggi daripada pusat takuk (3 - Raj.18).

Sentiasa tinggalkan engsel (A, Raj.19-24) yang membolehkan anda untuk mengawal arah pokok jatuh. Letakkan baji ke dalam potongan penebangan, sebelum pokok mula bergerak, untuk mencegah bar pandu gergaji rantai daripada tersekat.

Jika diameter batang lebih besar daripada panjang bar pandu, buat potongan penebangan sebagaimana yang ditunjukkan dalam aturan Raj.19.

### PEMOTONGAN CABANG

- Sentiasa mulakan daripada diameter yang lebih besar dan bergerak ke arah hujung untuk memotong cabang dan mana-mana dahan kedua.
- Sentiasa cari kedudukan yang paling selamat dan paling stabil sebelum memecutkan gergaji rantai. Jika perlu, pastikan keseimbangan anda dengan meletakkan lutut anda pada batang itu sendiri.
- Pastikan gergaji rantai pada batang supaya tidak menjadi terlalu letih, pusingkannya ke sebelah kiri atau kanan tangan bergantung kepada kedudukan dahan untuk dipotong (Raj. 20).
- Sekiranya dahan menjadi tegang, cari kedudukan yang selamat untuk melindungi diri anda sendiri sekiranya dahan memukul balik. Sentiasa mulakan memotong daripada sisi yang bertentangan dengan liku.
- Apabila memangkas dahan yang berdiameter besar gunakan pancang bampar.

**⚠️ AMARAN - Jangan gunakan pinggir atas hujung bar pandu untuk memotong-silang; jika tidak anda mungkin mewujudkan risiko tolak keluar.**

### PERONTAAN

Apabila melambungkan batang kepada panjang yang diinginkan, terdapat satu peraturan asas untuk diikuti. Lihat di mana batang disokong, dan tentukan arah yang mana dua separuh akan jatuh apabila dipotong.

- Jika batang disokong pada kedua-dua hujung, terlebih dahulu buat potongan kecil di bahagian atas (1 - Raj. 21), kemudian, lengkapkan potongan daripada bawah (2 - Raj. 21). Ini akan mengelakkan menjepit gergaji.
- Jika batang disokong pada satu hujung atau berdekatan pusatnya, terlebih dahulu buat potongan kecil daripada bawah (1 - Raj. 22), kemudian, lengkapkan potongan daripada atas (2 - Raj. 22).

**⚠️ AMARAN - Jika gergaji menjadi terjepit dalam batang, hentikan enjin, angkat kayu balak dan ubah kedudukannya (Raj. 23). Jangan sesekali cuba untuk membebaskan gergaji dengan menarik padanya.**



## 8. PENYELENGGARAAN

**⚠️ AMARAN - Sentiasa pakai sarung tangan pelindung semasa operasi penyelenggaraan. Jangan lakukan penyelenggaraan ketika enjin sedang panas.**

### MENAJAMKAN GERGAJI

Jarak ulir rantai (Raj. 25) adalah .325" or 3/8". Tajamkan rantai menggunakan sarung tangan pelindung dan fail bulat Ø 4.8 mm (3/16") atau Ø 5.5 mm (7/32").

**⚠️ AMARAN - Jangan pasang rantai .325" pada pinan 3/8" atau sebaliknya.**

Sentiasa tajamkan pemotong hanya dengan pukulan keluar mematuhi nilai yang diberikan dalam Raj. 25.

Selepas menajamkan, pautan potongan mesti semuanya mempunyai lebar dan panjang yang sama.

**⚠️ AMARAN - Rantai yang tajam menghasilkan serpihan yang jelas. Apabila rantai anda mula menghasilkan habuk papan, tiba masanya untuk menajamkan.**

Selepas setiap 3-4 kali pemotong telah ditajamkan anda perlu memeriksa ketinggian tolok kedalaman dan jika perlu, turunkannya menggunakan fail rata dan templat yang dibekalkan secara pilihan, kemudian bulatkan penjuru depan (Raj. 26).

**⚠️ AMARAN - Pelarasan tolok kedalaman yang betul adalah penting sebagaimana penajaman rantai yang betul.**

### BAR PANDU

Bar pandu disediakan dengan gegancu pada hujungnya mesti dilincirkan dengan gris menggunakan picagari pelinciran.

Bar hendaklah diterbalikkan setiap 8 jam bekerja untuk memastikan haus yang sama.

Pastikan alur bar dan lubang pelinciran bersih menggunakan pembersih alur bar yang dibekalkan secara pilihan.

Periksa rel bar dengan kerap jika terdapat haus dan jika perlu, keluarkan bur dan kelilingi rel menggunakan fail rata.

**⚠️ AMARAN - Jangan sesekali lekapkan gergaji rantai baru pada gegancu yang telah haus.**

**PENAPIS UDARA** - Putarkan tumbol (A, Raj. 27) dan periksa penapis udara (B) setiap hari. Buka pembersih udara (B) dengan cara menggunakan dua tab (C). Bersihkan dengan penyahgris Emak p.n. 001101009A, bilas dengan air dan kering letupkan dengan udara yang termampat, tidak terlalu hampir, meniup daripada dalam ke luar. Perbaharui penapis jika tersumbat teruk atau rosak.

**⚠️ AMARAN!** - Apabila memuatkan semula penapis udara (B), muatkannya ke dalam dengan baik, sebelum memasang semula.

**PENAPIS BAHAN API** - Periksa penapis bahan api secara berkala. Gantikannya jika terlalu kotor (Raj. 28).

**PAM MINYAK (automatik / boleh laras)** - Pelarasan aliran ditetapkan lebih awal oleh pengeluar. Aliran minyak boleh dilaraskan oleh pengendali menurut syarat-syarat khusus dengan cara menggunakan skru pelarasan yang khas (Raj. 32). Aliran minyak berlaku hanya apabila rantai bergerak.

**⚠️ AMARAN - Jangan sesekali gunakan minyak hapus-sisa!**

**UNIT PENGHIDUP** - Gunakan berus atau udara termampat untuk memastikan ram penyejuk pemasangan penghidup bebas dan bersih.

**ENJIN** - Bersihkan sirip silinder dengan udara termampat atau berus secara berkala. Pemanasan berlebihan enjin yang berbahaya boleh berlaku disebabkan bendasing pada silinder.

**PALAM PENCUCUH** - Bersihkan palam pencucuh dan periksa jarak elektrod secara berkala (Raj. 29). Gunakan TORCH L8RTF atau jenama yang lain dengan gred terma yang sama.

**BREK RANTAI** - Jika brek rantai tidak berfungsi dengan betul, keluarkan penutup rantai dan komponen brek yang bersih. Gantikan jalur brek rantai jika haus atau cacat.

**BAR PANDU** - Pusingkan bar pandu dan periksa bahawa lubang pelinciran adalah bebas daripada bendasing.

Jangan sesekali gunakan bahan api untuk operasi pembersihan.

MAL

## KARBURETOR

Sebelum melaraskan karburetor, bersihkan penutup penghidup, penapis udara (Raj. 27) dan panaskan enjin.

Karburetor (Raj. 30) dilaraskan di kilang dengan cara menggunakan skru L (terbuka lebih kurang 1 pusingan +1/2) dan skru H (terbuka lebih kurang 1 pusingan +1/2).

Skru T melahu dilaraskan untuk memastikan margin keselamatan yang baik antara melahu berjalan dan keterlibatan cekam.

Skru L mesti dilaraskan supaya enjin dengan segera memberi respons kepada pemecutan tajam dan memberikan operasi melahu yang baik.

Skru H mesti dilaraskan supaya enjin memberikan kuasa maksimum semasa fasa pematangan.

**⚠️ AMARAN - Keadaan cuaca dan altitud mungkin menjejaskan pengkarburetan. Jangan biarkan sesiapa berhampiran dengan gergaji rantai ketika bekerja atau ketika melaraskan karburetor.**

## PENYELENGGARAAN TAMBAHAN ADALAH DISYORKAN

Disyorkan untuk memeriksa mesin oleh juruteknik yang pakar di rangkaian servis yang disahkan pada penghujung musim, jika digunakan secara intensif dan setiap dua tahun jika dengan penggunaan normal.

**⚠️ AMARAN! – Mana-mana operasi penyelenggaraan tidak diuruskan dengan khusus dalam manual ini mesti dijalankan oleh pusat servis yang disahkan.** Untuk memastikan bahawa gergaji rantai anda terus berfungsi dengan betul, gunakan hanya **ALAT GANTI YANG ASLI**.

**⚠️ Mana-mana perubahan dan/atau penggunaan yang tidak disahkan alat ganti bukan-asli mungkin mengakibatkan kecederaan yang serius atau kematian kepada pengendali atau pihak ketiga.**

## PENGANGKUTAN

Bawa gergaji rantai dengan enjin dihentikan, bar pandu ke belakang dan penutup rantai pada (Raj. 31).

**⚠️ AMARAN** - Apabila mengangkut mesin pada kenderaan, pastikan bahawa mesin telah diikat dengan kuat dan ketat menggunakan tali atau tali sawat. Mesin mesti diangkut dalam kedudukan yang melintang, juga pastikan pematuhan dengan peraturan pengangkutan yang berguna pakai untuk mesin tersebut.

## CARTA PENYELENGGARAAN

Sila ambil perhatian bahawa selang penyelenggaraan yang berikut terguna pakai untuk keadaan pengendalian normal sahaja. Jika kerja harian anda memerlukan masa yang lebih lama daripada normal atau keadaan pemotongan yang kasar hadir selang yang dicadangkan hendaklah dipendekkan dengan sewajarnya.		Sebelum Setiap Penggunaan	Selepas Setiap Perhentian Miengisi Semula	Mingguan	Jika Rosak atau Tidak Betul
Mesin Lengkap	Periksa (Luluh Larut, Retakan dan Haus)	X	X		
Kawalan (Suis Nyalaan, Tuil Pencekik, Pencetus Pendikit, Saling Kunci Pencetus)	Operasi Pemeriksaan	X	X		
Brek Rantai	Operasi Pemeriksaan	X	X		
	Pemeriksaan oleh Penjual				X
Tangki Bahan Api dan Tangki Minyak	Periksa (Kebocoran, Retakan dan Haus)	X	X		
Penapis Bahan Api	Periksa dan Bersihkan			X	
	Gantikan Unsur Penapis				X
Pelinciran Rantai	Pemeriksaan Ouput	X	X		
Rantai Gergaji	Periksa (Kerosakan, Ketajaman dan Haus)	X	X		
	Pemeriksaan Ketegangan	X	X		
	Tajamkan (Periksa Kedalaman Tolok)				X
Bar Pandu	Periksa (Kerosakan dan Haus)	X	X		
	Bersihkan Alur bar dan Laluan Minyak	X			
	Putar, Lincirkan Hidung Gegancu dan Nyahbur			X	
	Gantikan				X
Gegancu Rim	Periksa (Kerosakan dan Haus)			X	
	Gantikan				X
Tong Cekam	Periksa (Kerosakan dan Haus)			X	
	Gantikan				X
Penangkap Rantai	Periksa (Kerosakan dan Haus)	X	X		
	Gantikan				X
Semua Skru dan Nat yang Boleh Diakses (bukan Skru Pelaras)	Periksa - Ketatkan semula			X	
Penapis Udara	Bersihkan	X			
	Gantikan				X
Sirip Silinder dan Lubang Sistem Penghidup	Bersihkan			X	
Tali Penghidup	Periksa (Kerosakan dan Haus)			X	
	Gantikan				X
Karburetor	Periksa Melahu (Rantai mesti tidak diputarkan pada Melahu)	X	X		
Palam Pencucuh	Periksa Jarak Elektrod			X	
	Gantikan				X
Lekapan Gearan	Periksa (Kerosakan dan Haus)			X	

MAL

## 9. PENYIMPANAN

Jika mesin disimpan untuk masa yang lama:

- Salurkan dan bersihkan tangki bahan api dan minyak dalam kawasan yang mempunyai penderaan yang baik.
- Lupuskan bahan api dan minyak menurut peraturan dan menghormati alam sekitar.
- Untuk menyalirkan tangki, mulakan enjin dan tunggu sehingga bahan api kehabisan dan enjin berhenti (membiarkan campuran bahan api dalam karburetor boleh merosakkan membran).
- Keluarkan, bersihkan dan semburkannya dengan minyak pelindung rantai dan bar.
- Bersihkan dengan teliti slot pengambilan udara pada sarung penghidup, penapis udara (Raj.27) dan sirip silinder.
- Simpan peniup di tempat yang kering, lebih baik bukan menyentuh secara langsung dengan tanah, jauh daripada sumber haba dan tangki kosong.
- Prosedur untuk mengembalikan mesin kepada servis berikutan penyimpanan musim sejuk adalah sama dengan untuk menghidupkan semasa penggunaan setiap hari (halaman 92).

### PERLINDUNGAN ALAM SEKITAR

Perlindungan alam sekitar hendaklah menjadi keutamaan yang agak penting apabila menggunakan mesin, untuk manfaat kedua-dua kepaduan sosial dan alam sekitar tempat kita tinggal.




- Cuba untuk tidak menyebabkan gangguan kepada kawasan sekitar.
- Patuhi dengan ketat peraturan setempat dan peruntukan untuk pelupusan minyak, petrol, bateri, penapis, alat yang merosot atau mana-mana unsur yang memiliki impak yang kuat terhadap alam sekitar. Sisa ini mestilah tidak dilupuskan seperti sisa normal, sisa ini mesti diasingkan dan dibawa ke pusat pelupusan sisa yang khusus tempat bahan tersebut akan dikitar semula.

### Peruntukan dan pelupusan

Apabila mesin mencapai penghujung hayat perkhidmatannya, jangan lupuskannya ke alam sekitar, sebaliknya bawa mesin ke pusat pelupusan sisa. Kebanyakan bahan yang digunakan dalam pengeluaran mesin adalah boleh dikitar semula, semua logam (keluli, aluminium, loyang) boleh dihantar ke stesen kitar semula yang normal. Untuk mendapatkan maklumat hubungi perkhidmatan kitar semula

sisa setempat anda. Pelupusan sisa mesti dilakukan dengan hormat untuk alam sekitar, mengelakkan pencemaran tanah, udara dan air. **Dalam semua kes, peraturan setempat yang berguna pakai mesti dipatuhi.**

## 10. DATA TEKNIKAL

		<b>GSH 51 MTH 510</b>	<b>GSH 56 MTH 560</b>
Sesaran		50.9 cm <sup>3</sup>	54.5 cm <sup>3</sup>
Enjin		2 lejang EMAK	
Kuasa		2.2 kW	2.6 kW
Min. rpm		2.700÷3.000 min <sup>-1</sup> *	
Maks. rpm		12.000 min <sup>-1</sup> *	12.500 min <sup>-1</sup> *
Mentol primer		Ya	
Skru penegang rantai lateral		Ya	
Bil. gigi pinan		7	
Berat tanpa bar dan rantai		5.3 kg	5.4 kg
Kapasiti tangki bahan api	 + 	550 (0.55) cm <sup>3</sup> (ℓ)	
Kapasiti takungan minyak rantai		260 (0.26) cm <sup>3</sup> (ℓ)	
Kelajuan rantai pada 133% daripada kelajuan kuasa enjin maksimum	3/8"	26.7 m/s	27.8 m/s
	.325"	23.1 m/s	24.1 m/s
* Tiada beban RPM dengan bar dan rantai			

**MAL**

<b>Bar pandu yang disyorkan dan gabungan rantai</b>	<b>GSH 51 - MTH 510 - GSH 56 - MTH 560</b>			
Pic rantai dan tolok	0.325" x .050"	0.325" x .058"	3/8" x .058"	
Panjang bar pandu	18" (45 cm)		20" (50 cm)	
Jenis bar pandu	50310206 50310214	50310207 50310215	50310121 50310233	50310177 50310234
Jenis rantai	95VPX072X	21BPX078X	73DPX068X	73DPX072X
Panjang potongan	430 mm		475 mm	



### **AMARAN!!!**

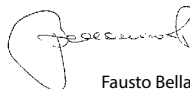
Risiko tolak keluar adalah lebih besar apabila menggunakan gabungan bar/rantai dengan salah! Gunakan hanya gabungan bar/rantai yang disyorkan dan ikut arahan untuk penajaman.

			GSH 51 MTH 510	GSH 56 MTH 560	
Paras tekanan	dB (A)	$L_{pA\ av}$ EN 11681-1 EN 22868	99.2	103.3	*
Ketidakpastian	dB (A)		2.7	3.1	
Paras kuasa bunyi yang diukur	dB (A)	2000/14/EC EN 22868 EN ISO 3744	110.2	113.4	
Ketidakpastian	dB (A)		2.7	3.0	
Paras kuasa bunyi yang dijamin	dB (A)	$L_{WA}$ 2000/14/EC EN 22868 EN ISO 3744	113.0	116.0	
Paras gegaran (3/8")	m/s <sup>2</sup>	EN 11681-1 EN 22867 EN 12096	5.2 (sx) 4.8 (dx)	7.3 (sx) 7.0 (dx)	*
Ketidakpastian	m/s <sup>2</sup>	EN 12096	1.6 (sx) 1.7 (dx)	1.8 (sx) 2.1 (dx)	
Paras gegaran (.325")	m/s <sup>2</sup>	EN 11681-1 EN 22867 EN 12096	5.8 (sx) 5.3 (dx)	7.2 (sx) 7.0 (dx)	*
Ketidakpastian	m/s <sup>2</sup>	EN 12096	1.6 (sx) 1.9 (dx)	1.6 (sx) 1.6 (dx)	
<b>* Nilai purata berpemberat (1/3 minimum rpm, 1/3 pada muatan penuh, 1/3 berlumba).</b>					

## 11. DEKLARASI PEMATUHAN

Yang bertandatangan di bawah, **EMAK spa via Fermi, 4 - 42011 Bagnolo in Piano (RE) ITALY**  
mengisytiharkan di bawah tanggungjawabnya sendiri bahawa mesin ini:

1. Jenis:	<b>Gergaji Rantai</b>
2. Tanda dagangan: / Jenis:	<b>OLEO-MAC GSH 51 - GSH 56 / EFCO MTH 510 - MTH 560</b>
3. pengenalan siri	<b>837 XXX 0001 - 837 XXX 9999 (GSH 51 - MTH 510) 839 XXX 0001 - 839 XXX 9999 (GSH 56 - MTH 560)</b>
mematuhi dengan syarat-syarat yang diwujudkan oleh arahan	<b>2006/42/EC - 2014/30/EU - 2000/14/EC</b>
mematuhi peruntukan standard terharmonisasi yang berikut:	<b>EN ISO 11681-1 - EN ISO 11681-1/AM 1 - EN 55012</b>
mematuhi model yang telah dianugerahkan No. pensijilan EC	<b>M.0303.17.5988 (GSH 51) - M.0303.17.5984 (GSH 56) M.0303.17.5990 (MTH 510) - M.0303.17.5986 (MTH 560)</b>
dikeluarkan daripada	<b>ICE v. Garibaldi, 20 - 40011 Anzola Emilia (BO) - Italy n° 0303</b>
Prosedur penilaian pematuhan dipatuhi	<b>Annex V - 2000/14/EC</b>
Paras kuasa bunyi yang diukur	<b>110.2 dB(A) (GSH 51 - MTH 510) - 113.4 dB(A) (GSH 56 - MTH 560)</b>
Paras kuasa bunyi yang dijamin:	<b>113.0 dB(A) (GSH 51 - MTH 510) - 116.0 dB(A) (GSH 56 - MTH 560)</b>
Dibuat di:	<b>Bagnolo in piano (RE) Italy - via Fermi, 4</b>
Tarikh:	<b>20/06/2017</b>
Dokumen teknikal boleh didapati oleh:	<b>ibu pejabat pentadbiran - Jabatan Teknikal</b>




**Emak**  
s.p.a.

Fausto Bellamico - President

## 12. SIJIL WARANTI

Mesin ini telah direka bentuk dan dikeluarkan menggunakan teknik yang paling moden. Pengeluar menjamin produknya untuk 24 bulan daripada tarikh pembelian, untuk kegunaan peribadi dan hobi. Waranti terhad kepada 12 bulan sekiranya penggunaan profesional.

### Waranti terhad

- 1) Tempoh waranti bermula pada tarikh pembelian. Pengeluar, bertindak melalui rangkaian bantuan jualan dan teknikal, harus menggantikan secara percuma mana-mana bahagian yang dibuktikan cacat dalam bahan, permesinan atau pengeluaran. Waranti ini tidak menjejaskan hak pembeli sebagaimana yang diwujudkan di bawah undang-undang yang mentadbir akibat kecacatan dalam mesin.
- 2) Kakitangan teknikal akan melakukan pembaikan yang perlu dalam masa seminimum yang mungkin, serasi dengan keperluan organisasi.
- 3) **Untuk membuat apa-apa tuntutan di bawah waranti, sijil waranti ini, sepenuhnya dilengkapi, dicop dengan cop penjual dan disertakan dengan invois atau resit yang menunjukkan tarikh pembelian, mesti ditunjukkan kepada kakitangan yang disahkan untuk meluluskan kerja.**
- 4) Waranti akan tidak berkesan dan dibatalkan jika:
  - mesin telah secara nyata tidak diservis dengan betul
  - mesin telah digunakan untuk tujuan

yang salah atau telah diubah suai dalam apa-apa cara,

- pelincir dan bahan api yang tidak sesuai telah digunakan
  - alat ganti dan aksesori yang bukan asli telah dipasang
  - kerja telah dilakukan pada mesin oleh kakitangan yang tidak sah
- 5) Waranti tidak merangkumi bahan habis guna atau alat ganti yang tertakluk kepada haus yang normal
  - 6) Waranti tidak merangkumi kerja untuk mengemas kini atau meningkatkan mesin.
  - 7) Waranti tidak merangkumi mana-mana persediaan atau kerja servis yang diperlukan semasa tempoh waranti.
  - 8) Kerosakan yang berlaku semasa pengangkutan mesti dimaklumkan kepada pembawa: kegagalan untuk melakukan sedemikian akan menjadikan waranti tidak berkesan dan dibatalkan.
  - 9) Enjin pengeluaran yang lain (Briggs & Stratton, Subaru, Honda, Kipor, Lombardini, Kohler dsb.) dipasang kepada mesin kami dirangkumi oleh waranti pengeluaran enjin tersebut.
  - 10) Waranti ini tidak merangkumi kecederaan atau kerosakan yang disebabkan secara langsung atau tidak langsung kepada individu atau benda oleh kecacatan dalam mesin atau oleh tempoh penyalahgunaan yang dipanjangkan terhadap mesin berakibat daripada kecacatan yang disebutkan.

MAL

MODEL

\_\_\_\_\_

No. SIRI

\_\_\_\_\_

DIBELI OLEH En.

\_\_\_\_\_

\_\_\_\_\_

\_\_\_\_\_

Jangan hantar! Hanya sertakan untuk permintaan waranti teknikal.

TARIKH

\_\_\_\_\_

PENJUAL

\_\_\_\_\_

### 13. PENYELESAIAN MASALAH



**AMARAN:** Sentiasa hentikan unit dan putuskan sambungan palam pencucuh sebelum melakukan semua rawatan yang disyorkan di bawah kecuali rawatan yang memerlukan operasi unit.

Apabila anda telah memeriksa semua kemungkinan punca yang tersenarai dan anda masih mengalami masalah tersebut, berjumpa dengan Penjual Servis anda. Jika anda mengalami masalah yang tidak tersenarai dalam carta ini, berjumpa dengan Penjual Servis anda untuk perkhidmatan.

MASALAH	KEMUNGKINAN PUNCA	PENYELESAIAN
Enjin tidak akan dihidupkan atau akan berjalan hanya beberapa saat selepas dihidupkan.	<ol style="list-style-type: none"> <li>1. Tiada pencucuhan</li> <li>2. Enjin dibanjiri.</li> </ol>	<ol style="list-style-type: none"> <li>1. Lihat sekiranya terdapat pencucuhan pada hujung palam pencucuh. Jika tiada pencucuhan, ulang ujian dengan palam pencucuh yang baru (<b>L8RTF</b>).</li> <li>2. Ikut prosedur halaman 94 Jika enjin masih gagal dihidupkan, ulang prosedur dengan palam pencucuh yang baru.</li> </ol>
Enjin dihidupkan tetapi tidak akan memecut dengan betul atau tidak akan berjalan dengan betul pada kelajuan yang tinggi.	Karburetor memerlukan pelarasan.	Hubungi Penjual Servis untuk pelarasan karburetor.
Enjin tidak mencapai kelajuan penuh dan / atau mengeluarkan asap yang berlebihan	<ol style="list-style-type: none"> <li>1. Periksa campuran minyak bahan api.</li> <li>2. Penapis udara kotor.</li> <li>3. Karburetor memerlukan pelarasan.</li> </ol>	<ol style="list-style-type: none"> <li>1. Gunakan bahan api yang segar dan campuran minyak 2-kitar yang betul.</li> <li>2. Bersihkan mengikut arahan dalam Bahagian Penyelenggaraan-Penapis Udara.</li> <li>3. Hubungi Penjual Servis untuk pelarasan karburetor.</li> </ol>
Enjin dihidupkan, berjalan dan memecut tetapi tidak melahu.	Karburetor memerlukan pelarasan.	Pusingkan skru kelajuan melahu "T" (Raj. 30) mengikut arah jam untuk meningkatkan kelajuan melahu. Lihat Pelarasan Operasi-Karburetor.
Bar dan Rantai Menjadi Panas dan Berasap	<ol style="list-style-type: none"> <li>1. Tangki minyak rantai kosong.</li> <li>2. Ketegangan rantai terlalu ketat.</li> <li>3. Fungsi peminyak.</li> </ol>	<ol style="list-style-type: none"> <li>1. Tangki minyak hendaklah diisi setiap kali tangki minyak diisi.</li> <li>2. Tegangan rantai mengikut arahan dalam bahagian Operasi-Tegangan Rantai (Hlmn. 91).</li> <li>3. Jalankan pada pendikit penuh 15 hingga 30 saat. Hentikan gergaji dan periksa jika terdapat minyak menitis daripada pengadang hujung bar dan bar pandu. Jika minyak hadir rantai mungkin pudar atau bar mungkin rosak. Jika tiada minyak hubungi Penjual Servis.</li> </ol>
Enjin dihidupkan dan berjalan, tetapi rantai tidak berputar	<ol style="list-style-type: none"> <li>1. Brek rantai digunakan.</li> <li>2. Ketegangan rantai terlalu ketat.</li> <li>3. Pemasangan bar pandu dan rantai.</li> <li>4. Rantai dan/atau bar pandu rosak.</li> <li>5. Tong cekam dan/atau gegancu rim rosak.</li> </ol>	<ol style="list-style-type: none"> <li>1. Lepaskan brek rantai, lihat Bahagian Operasi-Brek Rantai (Hlmn. 95).</li> <li>2. Tegangan rantai mengikut arahan dalam bahagian Operasi-Tegangan Rantai (Hlmn. 91).</li> <li>3. Rujuk Bahagian Pemasangan-Memasang Bar dan Rantai (Hlmn. 91).</li> <li>4. Rujuk Bahagian Penyelenggaraan-Rantai dan/atau Penyelenggaraan-Bar Pandu (Hlmn. 97).</li> <li>5. Gantikan jika perlu - hubungi Penjual Servis.</li> </ol>



**AMARAN:** Jangan sesekali sentuh rantai ketika motor sedang berjalan.



## DỊCH TỪ BẢN HƯỚNG DẪN GỐC

### GIỚI THIỆU

Để sử dụng máy chính xác và tránh bị tai nạn, không được bắt đầu vận hành cho đến khi bạn đã đọc kỹ hướng dẫn sử dụng này. Bạn sẽ tìm thấy những giải thích liên quan đến vận hành các bộ phận khác nhau và các hướng dẫn kiểm tra cần thiết và bảo trì phù hợp.

**LƯU Ý: Những mô tả và hình ảnh minh họa trong hướng dẫn sử dụng này không mang tính bắt buộc. Nhà sản xuất bảo lưu quyền chỉnh sửa được cho là cần thiết mà không sửa lại hướng dẫn sử dụng này.**

Bên cạnh hướng dẫn vận hành, hướng dẫn sử dụng này có những đoạn cần bạn đặc biệt chú ý. Những đoạn đó được đánh dấu bằng những ký hiệu như được mô tả dưới đây:

**CẢNH BÁO:** khi có nguy cơ xảy ra tai nạn hoặc cá nhân, thậm chí là tử vong, thương tích hoặc thiệt hại tài sản nghiêm trọng.

**THẬN TRỌNG:** khi có nguy cơ làm hỏng máy hoặc các bộ phận riêng lẻ của máy.

#### CẢNH BÁO

**NGUY CƠ GÂY TỔN HẠI ĐẾN THÍNH LỰC**  
TRONG ĐIỀU KIỆN SỬ DỤNG BÌNH THƯỜNG, MÁY  
NÀY  
CÓ THỂ KHIẾN NGƯỜI VẬN HÀNH PHẢI TIẾP XÚC  
HÀNG NGÀY  
VỚI TIẾNG ỒN BẰNG HOẶC CAO HƠN  
**85 dB (A)**

### NỘI DUNG

1. GIẢI THÍCH CÁC KÝ HIỆU VÀ CẢNH BÁO AN TOÀN	105
2. CÁC BỘ PHẬN CỦA MÁY CỬA XÍCH	105
3. BIỆN PHÁP PHÒNG NGỪA VỀ AN TOÀN	105
4. LẮP THANH DẪN VÀ XÍCH CỬA	107
5. KHỞI ĐỘNG	107
6. DỪNG ĐỘNG CƠ	110
7. SỬ DỤNG	110
8. BẢO TRÌ	112
9. BẢO QUẢN	115
10. DỮ LIỆU KỸ THUẬT	116
11. TUYÊN BỐ VỀ TUÂN THỦ	118
12. CHỨNG NHẬN BẢO HÀNH	119
13. BIỂU ĐÓ XỬ LÝ SỰ CỐ	120

## 1. GIẢI THÍCH CÁC KÝ HIỆU VÀ CẢNH BÁO AN TOÀN (Hình 1)

1. Đọc sách hướng dẫn dành cho người vận hành trước khi vận hành máy này.
2. Đeo dụng cụ bảo vệ đầu, mắt và tai.
3. Loại máy: **MÁY CỬA XÍCH**.
4. Số thứ tự
5. Năm sản xuất
6. Bóp bóng bơm mỗi
7. Hãm xích, đã kích hoạt (phải). Hãm xích, chưa kích hoạt (trái).

## 2. CÁC BỘ PHẬN CỦA MÁY CỬA XÍCH (Hình 2)

1. Cần bướm gió
2. Bộ khởi động tiết lưu ga
3. Khóa bộ khởi động tiết lưu ga
4. Vít điều chỉnh bộ chế hòa khí
5. Cần hãm quán tính
6. Bộ giảm thanh xả khí
7. Xích
8. Thanh dẫn
9. Nắp bảo vệ bộ lọc khí
10. Công tắc bật/tắt
11. Nắp bảo vệ bình chứa nhiên liệu
12. Tay cầm khởi động
13. Nắp bảo vệ bình chứa dầu
14. Bóp bóng bơm mỗi
15. Vít căng xích hai bên
16. Tay cầm phía trước
17. Tay cầm phía sau
18. Nắp bảo vệ thanh dẫn

## 3. BIỆN PHÁP PHÒNG NGỪA VỀ AN TOÀN

**⚠ CẢNH BÁO** - Nếu được sử dụng đúng cách, máy cửa xích là một dụng cụ nhanh, dễ sử dụng và hiệu quả; nếu sử dụng không đúng cách hoặc không có biện pháp phòng ngừa thích hợp, nó có thể trở thành một dụng cụ nguy hiểm. Để làm việc dễ dàng và an toàn,

VN

**luôn tuân thủ nghiêm ngặt những quy định về an toàn trong sách hướng dẫn này.**

**⚠ CẢNH BÁO: Hệ thống đánh lửa của máy tạo ra một trường điện từ có cường độ rất thấp. Trường này có thể gây nhiễu một số loại máy tạo nhịp nhất định. Để làm giảm nguy cơ thương tích nghiêm trọng hoặc gây tử vong, những người mang máy tạo nhịp phải tham vấn bác sỹ của họ hoặc nhà sản xuất máy tạo nhịp trước khi sử dụng máy này.**

**⚠ CẢNH BÁO: – Các quy định quốc gia có thể hạn chế sử dụng máy này.**

1. Không sử dụng máy của xích cho đến khi bạn đã hiểu hoàn toàn các phương pháp vận hành cụ thể. Trước tiên người dùng phải tự làm quen với hoạt động của máy trước khi làm việc tại thực địa.
2. Máy của xích phải được sử dụng bởi người lớn có tình trạng sức khỏe tốt và có kiến thức về hướng dẫn vận hành.
3. Không sử dụng của xích khi bạn mệt mỏi về thể chất hoặc nếu bạn đã uống rượu, dùng ma túy hoặc dùng thuốc.
4. Không bao giờ được đeo khăn quàng cổ, vòng đeo tay hoặc bất kỳ thứ gì khác có thể bị máy hoặc xích cuốn vào. Mặc quần áo an toàn phù hợp.
5. Đi giày an toàn chống trượt, găng tay, kính bảo vệ, thiết bị bảo vệ tai và mũ bảo hộ.
6. Không bao giờ được cho phép người ngoài ở lại trong khu vực làm việc của bạn khi khởi động hoặc cắt bằng máy của.
7. Không được bắt đầu cắt cho đến khi bạn đã dọn quang khu vực làm việc. Không được cắt gần các dây cáp điện.
8. Luôn cắt từ một vị trí vững chắc và an toàn.
9. Chỉ sử dụng máy của xích ở những nơi được thông khí tốt, không vận hành máy của xích trong không khí dễ cháy nổ hoặc trong các môi trường kín.
10. Không bao giờ được chạm vào xích hoặc cố gắng bảo dưỡng của trong khi động cơ vẫn đang chạy.
11. Cấm lắp bất kỳ thiết bị nào ngoài thiết bị được nhà sản xuất cung cấp.
12. Toàn bộ các tem nhãn cảnh báo nguy cơ về

sức khỏe phải được duy trì ở tình trạng tốt. Trong trường hợp hư hỏng hoặc hao mòn, phải thay thế ngay lập tức (Hình 1).

13. Không được sử dụng máy cho những mục đích sử dụng khác với những mục đích được quy định trong hướng dẫn sử dụng (xem trang 110).
14. Không được để máy với động cơ đang chạy mà không có sự giám sát.
15. Kiểm tra máy của xích mỗi ngày để đảm bảo rằng mỗi thiết bị, dù vì sự an toàn hay lý do nào khác, đều phải hoạt động đúng chức năng.
16. Luôn làm theo hướng dẫn của nhà sản xuất đối với hoạt động bảo trì.
17. Không bao giờ được sử dụng máy của xích đã bị hỏng, chỉnh sửa hoặc sửa chữa hoặc lắp ráp không đúng cách. Không được di chuyển, làm hỏng hay tắt kích hoạt bất kỳ thiết bị an toàn nào. Chỉ sử dụng các thanh có chiều dài như trong bảng hướng dẫn.
18. Không bao giờ được tự thực hiện các thao tác hoặc sửa chữa ngoài những thao tác bảo trì thường quy. Chỉ gọi những xưởng bảo dưỡng được ủy quyền và có chuyên môn.
19. Không bao giờ được khởi động máy của xích mà không lắp nắp bảo vệ xích.
20. Nếu máy của xích của bạn không còn sử dụng được, hãy thải bỏ hợp lý mà không gây hại đến môi trường bằng cách chuyển máy cho Đại lý tại địa phương của bạn để họ thu xếp xử lý đúng cách.
21. Chỉ cho những người dùng dùng chuyên nghiệp hoàn toàn quyền thuộc với cách vận hành và sử dụng đúng cách mượn của xích của bạn. Đưa cho những người dùng khác hướng dẫn vận hành, họ cần phải đọc hướng dẫn trước khi sử dụng của.
22. Toàn bộ bảo dưỡng của, ngoài những thao tác trình bày trong hướng dẫn sử dụng hiện thời, phải được thực hiện bởi những người có năng lực chuyên môn.
23. Giữ lại sách hướng dẫn sử dụng này và tham khảo mỗi lần sử dụng máy.
24. Xin lưu ý rằng chủ sở hữu hoặc người dùng phải chịu trách nhiệm về bất kỳ tai nạn hoặc thiệt hại nào đối với các bên thứ ba hoặc tài sản của họ.

## QUẦN ÁO BẢO HỘ AN TOÀN

**⚠** Đa số các tai nạn từ máy cưa xích xảy ra khi xích và phải người vận hành. **Trong khi làm việc với máy cưa xích, luôn sử dụng quần áo bảo hộ an toàn đã được phê chuẩn.** Sử dụng quần áo bảo hộ không loại trừ nguy cơ gây ra thương tích nhưng làm giảm những ảnh hưởng của chấn thương trong trường hợp xảy ra tai nạn. Tham vấn nhà cung cấp đáng tin cậy của bạn để lựa chọn một thiết bị phù hợp.

Quần áo phải phù hợp và không được trở thành một trở ngại. Mặc quần bó sát chống cắt. **Áo khoác, quần áo bằng vải thô và quần leggings là lý tưởng.** Không được mặc quần áo, khăn quàng, dây hoặc vòng đeo tay có thể bị mắc kẹt vào gỗ hoặc nhánh cây nhỏ. Buộc chặt và bảo vệ tóc dài (ví dụ bằng khăn lụa mỏng, mũ, mũ bảo hộ, v.v...)

### Giày an toàn hoặc ủng có đệm chống trượt và chống xước.

**Đeo mũ bảo hộ** ở những nơi có thể có đồ vật bị rơi xuống.

### Đeo kính bảo vệ hoặc tấm trùm mặt!

**Sử dụng các phương tiện bảo vệ chống tiếng ồn; ví dụ như các tấm che tai giảm tiếng ồn hoặc nút bịt lỗ tai.** Sử dụng các biện pháp bảo vệ tai đòi hỏi nhiều sự chú ý và thận trọng do nhận thức về các tín hiệu âm thanh cảnh báo nguy hiểm bị hạn chế (tiếng la hét, cảnh báo, v.v...).

### Đi găng tay bảo hộ chống cắt.

## 4. LẮP THANH DẪN VÀ XÍCH CƯA

**⚠ CẢNH BÁO - Luôn đeo găng tay bảo hộ trong các quy trình lắp ráp. Chỉ sử dụng các thanh dẫn và xích được nhà sản xuất khuyến dùng (trang 116).**

- Kéo tấm che (hình 3) về phía tay cầm phía trước để kiểm tra hãm xích có bật hay không.
- Tháo đai ốc thanh dẫn (A) và nắp che bảo vệ xích (B, Hình 4).
- Tháo và rút vòng đệm chèn bằng nhựa khỏi chốt của thanh dẫn (C, Hình 5).

- Đưa chốt hãm căng xích (D, Hình 5) đến điểm dừng giới hạn bằng cách tháo tất cả các vít căng xích (L).
- Đặt thanh (F, Hình 3) vào chốt (N).
- Lắp xích (H, Hình 6) vào răng (E) và đường rãnh (M). Chú ý đến hướng quay của xích (Hình 8).
- Kéo nắp che bảo vệ xích xuống, đẩy vào trong vỏ, giữ chặt vào thanh dẫn, bắt vít căng xích (L, Hình 7) để chốt hãm (D, Hình 5) đi vào lỗ (G) của thanh dẫn.
- Lắp nắp che bảo vệ xích và đai ốc liên quan mà không cần vặn chặt chúng.
- Kéo căng xích bằng các loại vít kéo căng (L, Hình 7).
- Giữ đầu thanh dẫn và vặn chặt đai ốc của nắp che bảo vệ xích (Hình 9). Lực siết chặt là 1.5 kgm (15 Nm). Xích sẽ được căng nhưng quay tự do bằng tay (Hình 10).
- Xích được căng chính xác khi nó có thể được kéo lên vài milimet (Hình 10).

**⚠ CẢNH BÁO - Luôn duy trì lực căng xích chính xác.** Xích quá chùng làm tăng nguy cơ bị kéo ngược đột ngột và xích có thể chệch ra ngoài kênh thanh dẫn; những sự cố này có thể gây thương tích cho người vận hành và làm hỏng xích. Xích quá chùng sẽ dẫn đến xích, thanh dẫn và đường rãnh nhanh bị mòn. Ngược lại, xích quá căng sẽ có xu hướng làm quá tải động cơ dẫn đến hỏng động cơ. **Xích được căng chính xác sẽ cung cấp các thuộc tính cắt tốt nhất, an toàn tối ưu và kéo dài tuổi thọ của xích.** Tuổi thọ của xích phụ thuộc vào việc kéo căng và bôi trơn xích đúng cách.

## 5. KHỞI ĐỘNG

### NẠP NHIÊN LIỆU

**⚠ CẢNH BÁO: Xăng là một loại nhiên liệu cực kỳ dễ cháy. Phải rất thận trọng khi xử lý xăng hoặc trộn nhiên liệu. Không được hút thuốc hoặc mang lửa hoặc ngọn lửa lại gần nhiên liệu hoặc máy cưa xích.**

- Để làm giảm nguy cơ cháy và thương tích do bị bỏng, hãy xử lý nhiên liệu thật thận trọng. Nó rất dễ cháy.
- Trộn và bảo quản nhiên liệu trong thùng chứa đã được phê chuẩn để đựng xăng.
- Trộn nhiên liệu ngoài trời ở những nơi không có tia lửa hoặc ngọn lửa.

- Chọn mặt đất trống, tắt động cơ và để nguội trước khi nạp lại nhiên liệu.
- Từ từ vận nắp bình chứa nhiên liệu để làm giảm áp suất và giữ không cho nhiên liệu tràn ra xung quanh nắp.
- Vận chặt nắp bình chứa nhiên liệu sau khi nạp lại. Rung máy có thể làm nắp bình chứa nhiên liệu vận chặt không đúng cách bị lỏng ra hoặc rơi ra và làm đổ tràn nhiên liệu.
- Lau sạch nhiên liệu khỏi máy. Chuyển máy cách địa điểm nạp lại nhiên liệu xa ba mét trước khi khởi động động cơ.
- Không được cố ý đốt cháy hết nhiên liệu đổ tràn trong bất kỳ tình huống nào.
- Không hút thuốc trong khi đang xử lý nhiên liệu hoặc vận hành máy cưa xích.
- Bảo quản nhiên liệu ở nơi khô, mát được thông khí tốt.
- Không bao giờ được đặt máy vào khu vực dễ bắt cháy như lá khô, rơm, giấy...
- Bảo quản máy và nhiên liệu trong khu vực mà hơi nhiên liệu không thể bắt tia lửa hoặc ngọn lửa mở từ thiết bị đun nước, động cơ, công tắc hoặc lò đốt điện, v.v...
- Không bao giờ được mở nắp bình chứa nhiên liệu khi động cơ đang chạy.
- Không bao giờ được sử dụng nhiên liệu cho thao tác lau chùi.
- Cần thận không để nhiên liệu dây vào quần áo.



Sản phẩm này hoạt động dựa trên động cơ hai kỳ và đòi hỏi pha xăng trước và dầu động cơ hai kỳ. Pha trước xăng không chì và dầu động cơ 2 kỳ trong một thùng chứa sạch được phê chuẩn để đựng xăng.

**NHIÊN LIỆU ĐƯỢC KHUYÊN DÙNG:** ĐỘNG CƠ NÀY ĐƯỢC CHỨNG NHẬN LÀ VẬN HÀNH BẰNG XĂNG KHÔNG CHÌ DÙNG CHO MÁY MÓC TỰ ĐỘNG VỚI MỨC OCTANE TỪ 89  $([R + M] / 2)$  TRỞ LÊN.

Pha dầu động cơ 2 kỳ với xăng theo hướng dẫn trên bao bì.

Chúng tôi đặc biệt khuyến nghị nên sử dụng dầu động cơ hai kỳ **2% (1:50)** Oleo-Mac / Efco được đặc biệt chế tạo để dùng cho tất cả các loại động cơ hai kỳ làm mát không khí.

Tỷ trọng dầu / nhiên liệu chính xác được trình bày trong bảng là phù hợp khi sử dụng Oleo-Mac / Efco **PROSINT 2** and **EUROSINT 2** hoặc loại dầu động cơ tương đương chất lượng cao (tiêu chuẩn kỹ thuật FD của JASO hoặc tiêu chuẩn kỹ thuật L-EGD của ISO).

XĂNG	DẦU	
		
	2% - 50:1	
ℓ	ℓ	(cm <sup>3</sup> )
1	0,02	(20)
5	0,10	(100)
10	0,20	(200)
15	0,30	(300)
20	0,40	(400)
25	0,50	(500)

**⚠ THẬN TRỌNG: KHÔNG ĐƯỢC SỬ DỤNG DẦU DÙNG CHO MÁY MÓC TỰ ĐỘNG HOẶC DẦU ĐỘNG CƠ 2 KỲ HÀNG HẢI.**

**⚠ THẬN TRỌNG:**

- Mua nhiên liệu phù hợp với mức tiêu thụ của bạn; không mua nhiều hơn mức bạn sẽ sử dụng trong một hoặc hai tháng;
- Bảo quản xăng trong thùng chứa kín, để ở nơi thoáng mát, khô ráo.

**⚠ THẬN TRỌNG: - Để pha nhiên liệu, không bao giờ được sử dụng loại nhiên liệu có tỷ lệ phần trăm ethanol cao hơn 10%; gasohol (hỗn hợp xăng và gasohol) tối đa 10% gasohol hoặc nhiên liệu E10 có thể chấp nhận được.**

**LƯU Ý -** Chỉ pha số lượng hỗn hợp cần thiết để sử dụng ngay; không được để lại nhiên liệu trong bình hoặc thùng chứa trong một thời gian dài. Khuyến nghị sử dụng chất phụ gia **Emak ADDITIX 2000** mã 001000972 nếu hỗn hợp sẽ được bảo quản trong 12 tháng.

**Xăng Alkylate**

**⚠ THẬN TRỌNG -** Các loại nhiên liệu Alkylate có tỷ trọng khác với nhiên liệu thông thường. Do đó các động cơ, được thiết lập để sử dụng nhiên liệu thông thường, cần phải có quy trình phân lực H để tránh gặp phải những vấn đề nghiêm trọng. Để có thể vận hành, cần đưa đến một Đại lý Bảo dưỡng được Ủy quyền.

**NẠP BÌNH CHỨA**

Khuấy đều hỗn hợp trước khi nạp lại nhiên liệu.

**⚠ CẢNH BÁO: Tuân thủ hướng dẫn về an toàn khi nạp nhiên liệu. Luôn tắt động cơ trước khi nạp nhiên liệu. Không bao giờ**

được nạp thêm nhiên liệu vào máy khi động cơ đang chạy hoặc còn nóng. Di chuyển máy cách địa điểm nạp lại nhiên liệu ít nhất ba mét trước khi khởi động động cơ. **KHÔNG ĐƯỢC HÚT THUỐC!**

1. Lau sạch bề mặt quanh nắp bình chứa nhiên liệu để phòng ngừa nhiễm bẩn.
2. Từ từ mở nắp bình nhiên liệu.
3. Cần thận trọng khi trộn nhiên liệu vào bình. Tránh đổ tràn.
4. Trước khi thay nắp bình, lau sạch và kiểm tra gioăng.
5. Thay nắp bình ngay và vặn chặt bằng tay. Lau sạch nhiên liệu đổ tràn.

**⚠ CẢNH BÁO: Kiểm tra xem nhiên liệu có bị rò rỉ không, nếu có thì phải xử lý ngay trước khi sử dụng. Liên hệ Đại lý Bảo dưỡng nếu cần thiết.**

### ĐỔ DẦU VÀ BÔI TRƠN XÍCH

Xích của được tự động bôi trơn trong quá trình sử dụng bằng loại bơm mà thường không cần bảo trì. Dòng dầu được điều chỉnh trước bởi nhà sản xuất để đảm bảo cung cấp đủ dầu ngay cả trong những điều kiện làm việc nặng. Khi cắt tằm gỗ mỏng, sẽ là bình thường nếu có giọt dầu.

- Luôn lau sạch quanh lỗ của bộ lọc trước khi tháo nắp (13, Hình 2) để bụi bẩn không lọt vào bình chứa.
- Trong khi làm việc, hãy theo dõi mức dầu.
- Sau khi nạp dầu, vận hành động cơ 2-3 lần để khô phục lại lượng cấp dầu chính xác.
- Trong trường hợp bị lỗi, không được cố gắng tự sửa máy, hãy mang đến đại lý ủy quyền.

Bôi trơn xích đúng cách trong giai đoạn cắt sẽ làm giảm sự mài mòn giữa xích và thanh dẫn tới mức tối thiểu, do đó kéo dài tuổi thọ máy. Luôn sử dụng dầu chất lượng tốt.

**⚠ CẢNH BÁO - Không bao giờ sử dụng dầu thải!**

**Luôn sử dụng loại dầu bôi trơn có thể phân hủy sinh học (eco-lube Oleo-Mac / Efco) dùng cho xích và thanh dẫn, đồng thời tôn trọng thiên nhiên, sức khỏe của người vận hành và các bộ phận của máy của xích.**

**⚠ Trước khi khởi động phải đảm bảo xích không bị cản trở.**

**Khi động cơ chạy không tải, xích phải không quay. Nếu không phải liên hệ Trung tâm Bảo dưỡng được Ủy quyền để tiến hành kiểm tra và khắc phục sự cố.**

**⚠ Khi cửa xích đang hoạt động, nắm chặt tay cầm phía trước bằng tay trái và tay cầm phía sau bằng tay phải (Hình 11).**

- Không được ngã về phía trước và không được cắt ở độ cao quá vai; nắm chặt cửa xích ở phía trên cùng của tay cầm gây khó khăn khi điều khiển và bị kéo ngược đột ngột.
- **Kiểm tra tất cả các bộ phận cơ thể được giữ cách xa bộ giảm thanh.**
- **Những người thuận tay trái cũng phải tuân theo hướng dẫn. Giữ tư thế cắt chính xác.**

**⚠ Tiếp xúc với độ rung quá mức có thể gây tổn thương mạch máu hoặc dây thần kinh ở những người có các vấn đề về tuần hoàn máu. Cần chăm sóc y tế nếu bạn gặp phải các triệu chứng về thể chất như tê liệt, mất cảm giác, suy giảm sức khỏe, thay đổi màu da. Những triệu chứng này thường xuất hiện ở các ngón tay, tay hoặc cổ tay.**

### Động cơ bị ngập

- Đặt công tắc bật/tắt chế độ **TẮT** (0) (B, Hình 13).
- Tháo vít trên nắp bảo vệ (A, Hình 25).
- Tháo nắp.
- Tháo vỏ bugi.
- Tháo và lau khô bugi.
- Mở rộng tiết lưu ga.
- Kéo dây khởi động vài lần để làm sạch buồng đốt.
- Lắp lại bugi và nối vỏ bugi, nhấn **chặt** xuống.
- Đặt công tắc bật/tắt về I, vị trí khởi động.
- Đặt cần bướm gió ở vị trí **MỞ** – ngay cả khi động cơ đang nguội.
- Bày giờ khởi động động cơ.

**⚠ CẢNH BÁO** – Không bao giờ được khởi động động cơ máy của mà không có thanh dẫn, xích và nắp che bảo vệ cụm ly hợp (hãm xích) - nếu không cụm ly hợp có thể **lỏng ra** và gây **thương tích** cá nhân.

### KHỞI ĐỘNG ĐỘNG CƠ

**Hãm xích phải được gắn vào khi khởi động cửa. Đặt hãm xích bằng cách đẩy cần hãm xích / tấm bảo vệ tay về phía trước (hướng về thanh dẫn) đến vị trí hãm (Hình 12). Nhả bộ chế hòa**

VN

khí bằng cách đẩy bóp bóng bơm mỗi (A, Hình 14). Đưa công tắc BẬT/TẮT (B, Hình 13) vào vị trí "I". Kéo cần bướm gió (D, Hình 14) CLOSE. Đặt máy cửa xích trên mặt đất ở vị trí ổn định. Kiểm tra xích có thể quay tự do và sẽ không chạm phải bất kỳ vật lạ nào. Trước khi khởi động động cơ, đảm bảo rằng cửa xích không tiếp xúc với vật nào. Không bao giờ thử khởi động của khi thanh dẫn đang ở vị trí cắt. Nắm chặt tay cầm phía trước bằng tay trái và đặt chân phải lên đế của tay cầm phía sau (Hình 15). Kéo dây khởi động vài lần cho đến khi nghe thấy tiếng **tiếng nổ** đầu tiên của động cơ. Đẩy cần bướm gió (D, Hình 14) về vị trí "MỞ" ban đầu. Kéo dây khởi động để khởi động động cơ. Sau khi động cơ khởi động, nhả hãm xích và **chờ trong vài giây**. Sau đó tăng tốc tiết lưu ga (C, Hình 13) để kích hoạt thiết bị chặn tiết lưu ga. **Nhả hãm (Hình 3)**.

**⚠ CẢNH BÁO - Sau khi động cơ khởi động, không sử dụng bướm gió để khởi động lại một lần nữa.**

**⚠ CẢNH BÁO - Chỉ sử dụng thiết bị bán gia tốc trong giai đoạn khởi động động cơ.**

### CHẠY RÀ ĐỘNG CƠ

Động cơ đạt đến công suất tối đa sau 5÷8 giờ hoạt động.

Trong giai đoạn chạy rà, không được sử dụng động cơ với tiết lưu ga mở rộng mà không có tải trọng để tránh lực căng quá mức.

**⚠ CẢNH BÁO! - Trong giai đoạn chạy rà, không được thay bộ chế hòa khí để đạt được mức công suất như giả định; nếu không động cơ có thể bị hỏng.**

**LƯU Ý: Khí thoát ra từ động cơ mới là bình thường trong và sau khi sử dụng lần đầu tiên.**

### CHẠY RÀ XÍCH

Xích mới sẽ kéo căng và phải thường xuyên siết chặt lại. Chỉ điều chỉnh lực căng khi xích đang nguội. Đầu tiên, quay xích và bôi trơn bằng dầu bổ sung. Sau đó khởi động máy cửa và để máy chạy ở tốc độ trung bình, kiểm tra xem bơm dầu có hoạt động đúng cách hay không. Dừng động cơ và điều chỉnh lực căng của xích. Khởi động máy cửa một lần nữa và cắt thử thân cây vài lần để khởi động xích. Tắt động cơ, để xích nguội và điều chỉnh lần nữa. Lặp lại quy trình này cho đến

khí xích duy trì được lực căng thích hợp. Không để xích chạm đất.

**⚠ CẢNH BÁO - Không được chạm vào xích khi động cơ đang chạy. Không để xích chạm đất.**

## 6. DỪNG ĐỘNG CƠ

Nhả cần tiết lưu ga (C, Hình 13) và để động cơ quay lại chế độ không tải. Tắt động cơ, đưa công tắc BẬT/TẮT (B) vào vị trí DỪNG (0).

**⚠ Không đặt cửa xích lên mặt đất khi xích vẫn đang chuyển động.**

## 7. SỬ DỤNG

### HÃM XÍCH

Hãm xích theo quán tính đảm bảo an toàn tối đa trong khi sử dụng máy cửa xích. Nó bảo vệ người vận hành khỏi bị nguy cơ kéo ngược đột ngột có thể xảy ra trong khi làm việc. Nếu được khởi động, nó sẽ khóa xích ngay lập tức, khi người vận hành nhấn găng gạt (thao tác bằng tay) hoặc tự động nhờ quán tính khi cần được đẩy về phía trước (Hình 16) trong trường hợp gặp lực kéo ngược đột ngột (thao tác theo quán tính). Hãm xích được nhả ra bằng cách kéo cần về phía người vận hành (Hình 3).

### KIỂM TRA VẬN HÀNH HÃM XÍCH

Khi kiểm tra máy trước khi thực hiện mỗi công việc, kiểm tra điều kiện vận hành của hãm xích theo các bước dưới đây:

1. Khởi động động cơ và nắm chặt tay cầm bằng cả hai tay.
2. Kéo cần tiết lưu ga để duy trì hoạt động của xích, đẩy cần hãm xuống về phía trước bằng cách dùng mặt sau của tay trái (Hình 11).
3. Khi hãm xích hoạt động và xích dừng lại, nhả cần tiết lưu ga.
4. Nhả hãm xích (Hình 3).

**BẢO TRÌ HÃM XÍCH:** Luôn giữ cơ cấu hãm xích sạch sẽ và bôi trơn đều đặn. Kiểm tra hao mòn của dây hãm. Độ dày tối thiểu phải là **0.30 mm**.

### CÁCH SỬ DỤNG BỊ CẮM

**⚠ CẢNH BÁO - Luôn tuân thủ các quy định về an toàn. Cửa xích này được thiết kế và**

ché tạo để cắt xén và xử lý các cây đứng hoặc cây bụi. Cắm cắt các loại vật liệu khác. Rung và kéo ngược đột ngột là khác nhau với các loại vật liệu khác nhau và khi các yêu cầu của các quy định về an toàn không được tuân thủ. Không được sử dụng máy cưa xích như một đòn bẩy để nâng, di chuyển hoặc chia tách đồ vật. Không được khóa vào bên trên các cột cố định. Nghiêm cấm móc vào các dụng cụ hoặc đồ lắp ghép vào P.t.o. mà không có chỉ định của nhà sản xuất.

## BIỆN PHÁP PHÒNG NGỪA CHO KHU VỰC LÀM VIỆC

- Không được làm việc gần các dây cáp điện.
- Chỉ làm việc trong các điều kiện có đủ tầm nhìn và ánh sáng để nhìn thấy rõ ràng.
- Dừng động cơ trước khi đặt máy cưa xích xuống.
- Đặc biệt thận trọng và cảnh giác khi đeo thiết bị bảo vệ tai, bởi những thiết bị này có thể hạn chế khả năng nghe thấy âm thanh báo hiệu nguy hiểm (tiếng la hét, tín hiệu, cảnh báo, v.v...)
- Thận trọng khi làm việc trên các bề mặt không bằng phẳng hoặc dốc.
- Không được cắt cao hơn ngực, bởi cầm một cái cưa xích ở độ cao cao hơn sẽ khó có thể điều khiển để đỡ lực kéo ngược đột ngột.
- **Không được cắt từ bậc thang, việc này đặc biệt nguy hiểm.**
- Dừng máy cưa nếu xích đập phải vật lạ. Kiểm tra máy cưa và sửa các bộ phận nếu cần thiết.
- Giữ sạch xích không bị dính bụi bẩn và cát. Thậm chí một lượng nhỏ bụi bẩn cũng làm cùn xích và làm tăng khả năng kéo ngược đột ngột.
- Luôn giữ các tay cầm khô và sạch sẽ.
- Khi cắt một cành cây có lực căng, phải cảnh giác tránh sức bật lò xo để bạn không bị văng trúng khi sức căng của sợi gỗ được giải phóng.
- Thận trọng khi cắt các cành cây nhỏ hoặc cây bụi có thể làm cản trở xích, văng ngược trở lại bạn hoặc làm bạn mất thăng bằng.

## HƯỚNG DẪN SỬ DỤNG

**⚠ CẢNH BÁO - Đốn cây là một công việc yêu cầu có kinh nghiệm. Không được đốn cây có rễ sâu nếu bạn thiếu kinh nghiệm. TRÁNH TẮT CẢ NHỮNG CÔNG VIỆC MÀ BẠN KHÔNG ĐỦ TRÌNH ĐỘ! Chúng tôi khuyên những người vận hành thiếu kinh nghiệm nên hạn chế đốn cây nếu thân cây có đường kính lớn hơn chiều**

dài của thanh dẫn. Khi sử dụng máy cưa xích lần đầu tiên, hãy cắt một thân cây nhỏ vài lần để làm quen với hoạt động của máy cưa. Luôn sử dụng toàn bộ tiết lưu ga khi cắt bằng máy cưa, bất kể kích thước của gỗ như thế nào. Không bao giờ được nhấn máy cưa xuống trong khi cắt. Chỉ riêng trọng lượng của máy cưa cũng đủ để cắt với lực tối thiểu.

**⚠ CẢNH BÁO - Không bao giờ được cắt trong gió mạnh, thời tiết xấu, tầm nhìn kém hoặc trong nhiệt độ rất cao hoặc rất thấp. Luôn kiểm tra cây để phát hiện các cành chết có thể rơi xuống trong khi đốn cây.**

## ĐỐN CÂY

Trong các thao tác đốn và cắt cây, hãy tận dụng đầu nhọn của bộ giảm xung, xoay vào chỗ cần cắt. Kiểm tra cây và khu vực xung quanh trước khi cắt. Chuẩn bị đường rộng nhất có thể cho cây đổ xuống (Hình 17). Cắt bất kỳ cành cây nào từ dưới thân cây đến độ cao tối đa 2 mét. Tạo một vết khía 90 độ trên bề mặt thân cây, theo hướng cây sẽ đổ xuống. Độ sâu vết khía không được vượt quá 1/4 đường kính thân cây (1 - Hình 18). Từ phía trên vết khía khoảng 10 cm, tạo một đường cắt hướng xuống dưới về phía vết cắt đầu tiên để tạo ra một cái chốt. Đây là miệng của cái chốt và theo chiều mà cây sẽ đổ xuống (2 - Hình 18).

Bây giờ bạn hãy tạo một đường cắt ở bên đối diện của thân cây. Bắt đầu cắt từ khoảng cách 4-5 cm cao hơn trung tâm của cái chốt (3 - Hình 18). Luôn để lại một cái chốt (A, Hình 19-24) cho phép bạn kiểm soát được hướng cây đổ xuống trước khi cây đổ để phòng ngừa dây dẫn của máy cưa xích bị mắc kẹt.

Nếu đường kính của thân cây lớn hơn độ dài của thanh dẫn, hãy tạo đường cắt đổ xuống như trình bày trong Hình 19 tiếp theo.

## CHẶT CÂY

- a) Luôn bắt đầu từ đường kính lớn hơn và di chuyển về phía đầu để cắt cây và các nhánh phụ.
- b) Luôn tìm vị trí ổn định và an toàn nhất trước khi tăng tốc máy cưa xích. Nếu cần thiết, hãy giữ cân bằng bằng cách tựa đầu gối lên thân cây.
- c) Giữ máy cưa xích trên thân cây để không bị quá mỏi, xoay về bên trái hoặc phải tùy thuộc

VN

vào vị trí của cành cây sẽ cắt (Hình 20).

- d) Nếu các cành có lực căng, tìm một vị trí an toàn để tự bảo vệ nếu chúng bật lại. Luôn bắt đầu cắt từ phía đối diện đến chỗ cong.
- e) Khi cắt các cành cây có đường kính lớn, hãy tận dụng đầu nhọn của bộ giảm xung.

**⚠ CẢNH BÁO - Không được sử dụng cạnh trên của đầu thanh dẫn để cắt ngang; nếu không bạn có thể gặp nguy cơ gặp phải lực kéo đột ngột.**

## CẮT

Khi cắt thân cây ở chiều dài mong muốn, có một nguyên tắc cơ bản cần tuân thủ. Kiểm tra xem thân cây tựa vào đầu và xác định hướng mà hai nửa thân cây sẽ đổ xuống khi cắt.

- a) Nếu thân cây có chỗ tựa ở cả hai đầu, đầu tiên cắt một đường nhỏ ở đầu trên (1 - Hình 21), sau đó thực hiện cắt từ phía dưới (2, Hình 21). Điều này sẽ tránh không làm cưa bị kẹt chặt.
- b) Nếu thân cây có chỗ tựa ở một đầu hoặc gần đoạn giữa, đầu tiên cắt một đường nhỏ từ bên dưới (1 - Hình 22), sau đó thực hiện cắt từ phía trên cùng (2, Hình 22).

**⚠ CẢNH BÁO - Nếu cưa bị kẹt trong thân cây, dùng động cơ, nâng khúc gỗ lên và đổi vị trí (Hình 23). Không bao giờ được giải phóng cưa bằng cách kéo cưa ra.**

## 8. BẢO TRÌ

**⚠ CẢNH BÁO - Luôn đeo găng tay bảo vệ trong khi thực hiện thao tác bảo dưỡng. Không được tiến hành bảo dưỡng khi động cơ còn nóng.**

### MÀI NHỌN XÍCH

Bánh răng xích (Hình 25) là .325" hoặc 3/8". Đeo găng tay bảo vệ, mài nhọn xích bằng một cái giữa tròn Ø 4,8 mm (3/16") hoặc Ø 5,5 mm (7/32").

**⚠ CẢNH BÁO - Không được lắp xích .325" vào bánh răng 3/8" hoặc ngược lại.**

Luôn mài nhọn lưỡi cắt theo hành trình hướng ra phía ngoài theo các giá trị được cung cấp trong Hình 25. Sau khi mài nhọn, các đường liên kết cắt phải có cùng chiều rộng và chiều dài.

**⚠ CẢNH BÁO - Xích sắc sẽ tạo ra những miếng mảnh vụn gỗ sắc nét. Khi xích bắt đầu tạo ra mùn cưa, đó là lúc cần mài nhọn xích.**

Sau khi lưỡi cắt được mài nhọn mỗi 3-4 lần, bạn cần kiểm tra chiều cao của bộ đo chiều sâu, và nếu cần thiết, hạ chúng thấp xuống bằng một cái khuôn và giữa dẹt được cung cấp tùy chọn, sau đó giữa tròn góc mặt trước của bộ đo chiều sâu (Hình 26).

**⚠ CẢNH BÁO - Điều chỉnh chính xác bộ đo chiều sâu cũng quan trọng như mài nhọn xích chính xác.**

### THANH DẪN

Các thanh dẫn cung cấp răng với một đầu nhọn cần được bôi trơn bằng mỡ bằng cách sử dụng một ống tiêm bôi trơn.

Thanh dẫn cần được đảo ngược lại mỗi 8 giờ làm việc để đảm bảo có độ hao mòn đồng đều.

Giữ sạch đường rãnh trên thanh dẫn và lỗ bôi trơn bằng cách sử dụng dụng cụ làm sạch được cung cấp tùy chọn.

Kiểm tra thường xuyên các thanh ray để phát hiện hao mòn, và nếu cần thiết loại bỏ gờ sắc và mài vuông góc các thanh ray bằng cái giữa dẹt.

**⚠ CẢNH BÁO - Không bao giờ được lắp bánh răng bị mòn vào một cái cưa xích mới.**

**BỘ LỌC KHÍ** - Xoay núm (A, Hình 27) và kiểm tra bộ lọc khí (B) hàng ngày. Mở bộ làm sạch khí (B) bằng hai thanh (C). Làm sạch bằng dụng cụ tẩy nhờn Emak p.n. 001101009A, rửa sạch bằng nước và hong khô bằng cách phun khí nén, không quá gần, thổi từ trong ra ngoài. Thay mới bộ lọc nếu bị tắc nghẽn hoặc hỏng nặng.

**⚠ CẢNH BÁO!** - Khi lắp lại bộ lọc khí (B), lắp vào giềng trước khi lắp ráp lại.

**BỘ LỌC NHIÊN LIỆU** - Kiểm tra định kỳ bộ lọc nhiên liệu. Thay thế nếu quá bẩn (Hình 28).

**BƠM DẦU (tự động / có thể điều chỉnh)** - Điều chỉnh dòng dầu được thiết lập trước bởi nhà sản xuất. Có thể điều chỉnh dòng dầu theo các yêu cầu cụ thể bởi người vận hành bằng các loại vít điều chỉnh đặc biệt (Hình 32). Dòng dầu chỉ xuất hiện khi xích chuyển động.



**⚠ CẢNH BÁO - Không bao giờ sử dụng dầu thải.**

**BỘ KHỞI ĐỘNG** - Dùng một cái chổi hoặc khí nén để giữ cho các cửa thông hơi làm mát của cụm khởi động sạch sẽ và thoáng đãng.

**ĐỘNG CƠ** - Làm sạch các gờ xi lanh bằng khí nén hoặc chổi theo định kỳ. Có thể xảy ra quá nhiệt động cơ gây nguy hiểm do có tạp chất bám trên xi lanh.

**BUGI** - Làm sạch bugi và kiểm tra khe điện cực định kỳ (Hình 29).

Sử dụng TORCH L8RTF hoặc nhãn hiệu khác có cùng cấp nhiệt.

**HẦM XÍCH** - Nếu hãm xích không hoạt động đúng, hãy tháo nắp che bảo vệ hãm xích và làm sạch các bộ phận của hãm xích. Thay dây hãm xích nếu bị hao mòn hoặc biến dạng.

**THANH DẪN** - Quay thanh dẫn và kiểm tra xem các lỗ bôi trơn có bị dính tạp chất không.

Không bao giờ được sử dụng nhiên liệu cho thao tác lau chùi.

### **BỘ CHẾ HÒA KHÍ**

Trước khi điều chỉnh bộ chế hòa khí, lau sạch nắp che bảo vệ bộ khởi động, bộ lọc khí (Hình 27) và khởi động động cơ.

Bộ chế hòa khí (Hình 30) được điều chỉnh trong nhà máy bằng các vít chữ L (mở khoảng 1 vòng +1/2) và vít H (mở khoảng 1 vòng +1/2).

Vít chữ T không tải được điều chỉnh để đảm bảo biên độ an toàn tốt giữa chạy không tải và khớp ly hợp.

Vít L phải được điều chỉnh để động cơ nhanh chóng đáp ứng được gia tốc nhanh và vận hành không tải tốt.

Vít H phải được điều chỉnh để động cơ cho công suất tối đa trong giai đoạn cắt.

**⚠ CẢNH BÁO - Các điều kiện thời tiết và độ cao có thể ảnh hưởng đến bộ chế hòa khí.**

**Không cho phép bất kỳ ai được lại gần cửa xích trong khi làm việc hoặc điều chỉnh bộ chế hòa khí.**

### **BẢO TRÌ BỔ SUNG**

Máy nên được kiểm tra bởi kỹ thuật viên có trình độ của mạng lưới bảo dưỡng được ủy quyền vào cuối mùa nếu sử dụng nhiều và hai năm một lần nếu sử dụng như bình thường.

**⚠ CẢNH BÁO! - Bất kỳ thao tác bảo dưỡng nào không được để cốp cụ thể trong sách hướng dẫn này phải được thực hiện bởi một trung tâm bảo dưỡng được ủy quyền.** Để đảm bảo máy của xích của bạn tiếp tục hoạt động đúng chức năng, chỉ sử dụng **PHỤ TÙNG THAY THẾ GỐC**.

**Bất kỳ thay đổi không được phép và/hoặc không sử dụng phụ tùng thay thế gốc có thể dẫn đến thương tích nghiêm trọng hoặc tử vong cho người vận hành hoặc các bên thứ ba.**

### **VẬN CHUYỂN**

Vận chuyển máy của khi động cơ dừng hoạt động, có thanh dẫn ở mặt sau và nắp xích (Hình 31).

**⚠ CẢNH BÁO** - Khi vận chuyển máy trên xe, hãy đảm bảo máy được buộc chắc chắn bằng dây hoặc dây đai. Máy phải được vận chuyển theo vị trí nằm ngang, đồng thời đảm bảo tuân thủ với các quy định vận chuyển cho các loại máy này.

VN

## SƠ ĐỒ BẢO TRÌ

Xin lưu ý rằng những lần dừng hoạt động để bảo dưỡng sau đây chỉ áp dụng cho điều kiện vận hành bình thường. Nếu công việc hàng ngày của bạn cần thời gian dài hơn bình thường hoặc các điều kiện cắt khắc nghiệt hơn thì những lần dừng hoạt động để bảo trì nên được rút ngắn.		Trước mỗi lần sử dụng	Sau mỗi lần dừng để nạp lại nhiên liệu	Hàng tuần	Nếu bị hỏng hoặc lỗi
Kiểm tra toàn bộ	Máy (Lọc, nút vỡ và hao mòn)	X	X		
Các bộ điều khiển (công tắc đánh lửa, cần bướm gió, bộ khởi động tiết lưu ga, khóa bộ khởi động)	Kiểm tra vận hành	X	X		
Hãm xích	Kiểm tra vận hành	X	X		
	Kiểm tra bởi đại lý				X
Bình chứa nhiên liệu và bình chứa dầu	Kiểm tra (Rò rỉ, nút vỡ và hao mòn)	X	X		
Bộ lọc nhiên liệu	Kiểm tra và làm sạch			X	
	Thay thành phần của bộ lọc				X
Bôi trơn xích	Kiểm tra công suất đầu ra	X	X		
Xích cưa	Kiểm tra (Hồng, độ sắc và hao mòn)	X	X		
	Kiểm tra độ căng	X	X		
	Mài sắc (Kiểm tra độ sâu của máy đo)				X
Thanh dẫn	Kiểm tra (Hồng và hao mòn)	X	X		
	Lau sạch đường rãnh trên thanh dẫn và đường dẫn dầu	X			
	Xoay, bôi trơn rìa và mũi răng			X	
	Thay thế				X
Bánh răng	Kiểm tra (Hồng và hao mòn)			X	
	Thay thế				X
Bánh ly hợp	Kiểm tra (Hồng và hao mòn)			X	
	Thay thế				X
Kẹp xích	Kiểm tra (Hồng và hao mòn)	X	X		
	Thay thế				X
Toàn bộ vít và đai ốc có thể tiếp cận (không điều chỉnh vít)	Kiểm tra - Vặn chặt lại			X	
Lọc gió	Làm sạch	X			
	Thay thế				X
Gỡ xi lanh và các lỗ của hệ thống khởi động	Làm sạch			X	
Dây khởi động	Kiểm tra (Hồng và hao mòn)			X	
	Thay thế				X
Bộ chế hòa khí	Kiểm tra trạng thái không tải (Xích không được quay khi ở trạng thái không tải)	X	X		
Bugi	Kiểm tra khe điện cực			X	
	Thay thế				X
Giả chống rung	Kiểm tra (Hồng và hao mòn)			X	

## 9. BẢO QUẢN

Nếu máy sẽ được bảo quản trong thời gian dài:

- Xả và lau sạch bình chứa dầu và nhiên liệu trong một khu vực được thông khí tốt.
- Thái bỏ nhiên liệu và dầu tuân theo quy định và quan tâm đến môi trường.
- Để xả sạch bình chứa, khởi động động cơ và chờ cho đến khi hết nhiên liệu và động cơ dừng lại (để lại hỗn hợp nhiên liệu trong bộ chế hòa khí có thể làm hỏng màng lọc).
- Tháo ra, lau sạch và xịt dầu bảo vệ vào xích và thanh dẫn.
- Lau sạch hoàn toàn các khe hút khí trên buồng khởi động, bộ lọc khí (Hình 27) và hai bên xi lanh.
- Bảo quản quạt gió ở nơi khô ráo, tốt nhất là không tiếp xúc trực tiếp với mặt đất, tránh xa mọi nguồn nhiệt và các thùng chứa rỗng.
- Các thủ tục gửi trả lại máy để bảo dưỡng sau thời gian bảo quản mùa đông giống như khởi động lại trong sử dụng hàng ngày (trang 107).

### BẢO VỆ MÔI TRƯỜNG

Bảo vệ môi trường là một ưu tiên quan trọng khi sử dụng máy, vì lợi ích gắn kết xã hội và môi trường trong đó chúng ta đang sống.

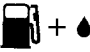

- Cố gắng không gây ra bất kỳ xáo trộn nào đối với khu vực xung quanh.
- Tuân thủ nghiêm các quy định của địa phương và các điều khoản quy định thải bỏ dầu, xăng, pin, bộ lọc, các bộ phận hỏng hoặc bất kỳ thành phần nào gây tác động mạnh đến môi trường. Không được thải bỏ chất thải này như chất thải bình thường, nó phải được tách ra và đưa đến các trung tâm xử lý rác thải theo quy định để tái chế vật liệu.

### Hủy và thải bỏ

Khi máy đạt đến giai đoạn cuối cùng của vòng đời, không được thải bỏ máy vào môi trường; thay vào đó hãy đưa máy đến một trung tâm xử lý rác thải. Hầu hết các vật liệu sử dụng để sản xuất máy này có thể tái chế; toàn bộ kim loại (thép, nhôm, đồng) có thể được chuyển đến một trạm xử lý thông thường. Để biết thêm thông tin, hãy liên hệ dịch vụ tái chế rác thải tại địa phương của bạn. Xử lý rác thải phải được thực hiện trên cơ sở quan tâm đến môi trường, tránh không làm ô nhiễm nước, không khí và đất.

**Trong mọi trường hợp, phải tuân thủ các quy định địa phương đang áp dụng.**

## 10. DỮ LIỆU KỸ THUẬT

	GSH 51 MTH 510	GSH 56 MTH 560	
Độ dịch chuyển	50.9 cm <sup>3</sup>	54.5 cm <sup>3</sup>	
Động cơ	EMAK 2 kỳ		
Nguồn	2.2 kW	2.6 kW	
Rpm tối thiểu	2.700÷3.000 min <sup>-1</sup> *		
Rpm tối đa	12.000 min <sup>-1</sup> *	12.500 min <sup>-1</sup> *	
Bóp bóng bơm mỗi	Có		
Vít căng xích hai bên	Có		
Số răng trên bánh răng	7		
Trọng lượng khi không có thanh dẫn và xích	5.3 kg	5.4 kg	
Công suất bình chứa nhiên liệu 	550 (0.55) cm <sup>3</sup> (ℓ)		
Công suất bình chứa dầu xích 	260 (0.26) cm <sup>3</sup> (ℓ)		
Tốc độ xích tại 133% tốc độ công suất động cơ tối đa	3/8"	26.7 m/s	27.8 m/s
	.325"	23.1 m/s	24.1 m/s
<b>* RPM không tải có thanh dẫn và xích</b>			

Kết hợp xích và thanh dẫn theo khuyến nghị	GSH 51 - MTH 510 - GSH 56 - MTH 560			
	Bánh răng xích và máy đo	0.325" x .050"	0.325" x .058"	3/8" x .058"
Chiều dài thanh dẫn	18" (45 cm)		20" (50 cm)	
Loại thanh dẫn	50310206 50310214	50310207 50310215	50310121 50310233	50310177 50310234
Loại xích	95VPX072X	21BPX078X	73DPX068X	73DPX072X
Chiều dài cắt	430 mm		475 mm	



### CẢNH BÁO!!!

**Nguy cơ bị kéo ngược đột ngột là lớn hơn khi kết hợp thanh dẫn/xích không đúng! Chỉ kết hợp thanh dẫn/xích như khuyến nghị và làm theo hướng dẫn về tiện.**

			<b>GSH 51 MTH 510</b>	<b>GSH 56 MTH 560</b>	
Mức áp suất	<b>dB (A)</b>	<b>L<sub>PA av</sub></b> EN 11681-1 EN 22868	<b>99.2</b>	<b>103.3</b>	*
Không chắc chắn	<b>dB (A)</b>		<b>2.7</b>	<b>3.1</b>	
Mức công suất âm thanh đo được	<b>dB (A)</b>	2000/14/EC EN 22868 EN ISO 3744	<b>110.2</b>	<b>113.4</b>	
Không chắc chắn	<b>dB (A)</b>		<b>2.7</b>	<b>3.0</b>	
Mức công suất âm thanh được bảo đảm	<b>dB (A)</b>	<b>L<sub>WA</sub></b> 2000/14/EC EN 22868 EN ISO 3744	<b>113.0</b>	<b>116.0</b>	
Mức rung (3/8")	<b>m/s<sup>2</sup></b>	EN 11681-1 EN 22867 EN 12096	<b>5.2 (sx) 4.8 (dx)</b>	<b>7.3 (sx) 7.0 (dx)</b>	*
Không chắc chắn	<b>m/s<sup>2</sup></b>	EN 12096	<b>1.6 (sx) 1.7 (dx)</b>	<b>1.8 (sx) 2.1 (dx)</b>	
Mức rung (.325")	<b>m/s<sup>2</sup></b>	EN 11681-1 EN 22867 EN 12096	<b>5.8 (sx) 5.3 (dx)</b>	<b>7.2 (sx) 7.0 (dx)</b>	*
Không chắc chắn	<b>m/s<sup>2</sup></b>	EN 12096	<b>1.6 (sx) 1.9 (dx)</b>	<b>1.6 (sx) 1.6 (dx)</b>	
<b>* Giá trị bình quân gia quyền (1/3 rpm tối thiểu, 1/3 đủ tải trọng, 1/3 tăng tốc).</b>					

**VN**

## 11. TUYÊN BỐ VỀ TUÂN THỦ

Người ký tên dưới đây	<b>EMAK spa via Fermi, 4 - 42011 Bagnolo in Piano (RE) ITALY</b>
tuyên bố theo trách nhiệm của mình rằng máy:	
1. Loại:	<b>Máy cửa xích</b>
2. Thương hiệu: / Loại:	<b>OLEO-MAC GSH 51 - GSH 56 / EFCO MTH 510 - MTH 560</b>
3. Số seri nhận dạng	<b>837 XXX 0001 - 837 XXX 9999 (GSH 51 - MTH 510) 839 XXX 0001 - 839 XXX 9999 (GSH 56 - MTH 560)</b>
Tuân thủ các yêu cầu được thiết lập bởi chỉ thị	<b>2006/42/EC - 2014/30/EU - 2000/14/EC</b>
tuân thủ các điều khoản của các tiêu chuẩn hài hòa sau đây:	<b>EN ISO 11681-1 - EN ISO 11681-1/AM 1 - EN 55012</b>
tuân thủ với model đã được cấp chứng nhận EC số	<b>M.0303.17.5988 (GSH 51) - M.0303.17.5984 (GSH 56) M.0303.17.5990 (MTH 510) - M.0303.17.5986 (MTH 560)</b>
được phát hành từ	<b>ICE v. Garibaldi, 20 - 40011 Anzola Emilia (BO) - Italy n° 0303</b>
Tuân theo thủ tục đánh giá tuân thủ	<b>Annex V - 2000/14/EC</b>
Mức công suất âm thanh đo được	<b>110.2 dB(A) (GSH 51 - MTH 510) - 113.4 dB(A) (GSH 56 - MTH 560)</b>
Mức công suất âm thanh được bảo đảm:	<b>113.0 dB(A) (GSH 51 - MTH 510) - 116.0 dB(A) (GSH 56 - MTH 560)</b>
Sản xuất tại:	<b>Bagnolo in piano (RE) Italy - via Fermi, 4</b>
Ngày:	<b>20/06/2017</b>
Tài liệu kỹ thuật được cung cấp bởi:	<b>trụ sở hành chính. - Bộ phận kỹ thuật</b>

  
Fausto Bellamico - President

 **Emak**<sup>®</sup>  
s.p.a.

## 12. CHỨNG NHẬN BẢO HÀNH

Máy này được thiết kế và sản xuất bằng những kỹ thuật hiện đại nhất. Nhà sản xuất bảo hành sản phẩm trong 24 tháng kể từ ngày mua đối với sử dụng cá nhân và sở thích riêng. Bảo hành 12 tháng đối với sử dụng chuyên nghiệp.

### Bảo hành Giới hạn

- 1) Giai đoạn bảo hành bắt đầu từ ngày mua. Nhà sản xuất, thông qua mạng lưới hỗ trợ kỹ thuật và bán hàng, sẽ thay miễn phí bất kỳ bộ phận nào được chứng minh là có lỗi về vật liệu, gia công hoặc sản xuất. Bảo hành không làm ảnh hưởng đến quyền lợi của người mua được thiết lập theo luật quy định về hậu quả của những khiếm khuyết trong máy.
- 2) Nhân viên kỹ thuật sẽ tiến hành sửa chữa cần thiết trong thời gian ngắn nhất có thể, phù hợp với yêu cầu của tổ chức.
- 3) **Để khiếu nại theo bảo hành, chứng nhận bảo hành này, đã được điền đầy đủ, có con dấu của đại lý và đi kèm hóa đơn hoặc biên nhận ghi rõ ngày mua, phải được xuất trình cho nhân viên được ủy quyền phê duyệt bảo hành.**
- 4) Bảo hành này sẽ vô hiệu nếu:
  - Máy rõ ràng đã không được bảo dưỡng đúng cách
  - máy đã được sử dụng không đúng mục

- đích hoặc đã bị chỉnh sửa,
  - đã sử dụng nhiên liệu và chất bôi trơn không phù hợp
  - đã lắp phụ tùng và phụ kiện không có nguồn gốc
  - máy được sử dụng trong công việc bởi một người không được phép
- 5) Bảo hành không bao gồm vật tư tiêu hao hay các bộ phận bị hao mòn thông thường.
  - 6) Bảo hành không bao gồm công việc cấp nhật hoặc nâng cấp máy.
  - 7) Bảo hành không bao gồm bất kỳ công việc chuẩn bị hoặc bảo trì nào cần thiết trong giai đoạn bảo hành.
  - 8) Thiệt hại phát sinh trong quá trình vận chuyển phải được báo ngay cho nhà cung cấp: không làm vậy sẽ khiến bảo hành bị vô hiệu.
  - 9) Động cơ của các nhà sản xuất khác (Briggs & Stratton, Subaru, Honda, Kipor, Lombardini, Kohler, v.v...) được lắp vào máy của chúng tôi được bảo hành bởi nhà sản xuất động cơ.
  - 10) Bảo hành không bao gồm thương tích hay thiệt hại gây ra trực tiếp hay gián tiếp lên những người hoặc đồ vật do những khiếm khuyết của máy hoặc giai đoạn không dùng máy kéo dài gây ra những lỗi đáng tiếc nêu trên.

VN

MODEL

\_\_\_\_\_

SỐ SERI

\_\_\_\_\_

MUA BỞI ÔNG

\_\_\_\_\_

\_\_\_\_\_

\_\_\_\_\_

NGÀY

\_\_\_\_\_

ĐẠI LÝ

\_\_\_\_\_

Không gửi đi! Chỉ đính kèm những yêu cầu bảo hành về kỹ thuật.

### 13. XỬ LÝ SỰ CỐ



**CẢNH BÁO:** Luôn dùng này và ngắt bugi trước khi thực hiện tất cả các biện pháp khắc phục được khuyên dùng dưới đây ngoại trừ các biện pháp khắc phục yêu cầu phải vận hành máy.

Khi bạn đã kiểm tra toàn bộ nguyên nhân dự đoán trong bảng liệt kê mà vẫn gặp phải sự cố, hãy gặp Đại lý Bảo dưỡng của bạn. Nếu bạn đang gặp phải sự cố không có trong bảng này, hãy gặp Đại lý Bảo dưỡng của bạn để được bảo dưỡng.

SỰ CỐ	NGUYÊN NHÂN DỰ ĐOÁN	GIẢI PHÁP
Động cơ không khởi động hoặc chỉ chạy sau vài giây khởi động.	<ol style="list-style-type: none"> <li>1. Không có tia lửa</li> <li>2. Động cơ bị ngập.</li> </ol>	<ol style="list-style-type: none"> <li>1. Xem tia lửa ở đầu bugi. Nếu không có tia lửa, kiểm tra lại bằng một bugi mới (<b>L8RTF</b>).</li> <li>2. Làm theo quy trình trong trang 109. Nếu động cơ vẫn không khởi động được, lặp lại quy trình bằng một bugi mới.</li> </ol>
Động cơ khởi động nhưng sẽ tăng tốc không đúng cách hoặc sẽ chạy không đúng ở tốc độ cao.	Cần điều chỉnh bộ chế hòa khí.	Liên hệ Đại lý Bảo dưỡng để điều chỉnh bộ chế hòa khí.
Động cơ không đạt được tốc độ đầy đủ và / hoặc xả quá nhiều khói	<ol style="list-style-type: none"> <li>1. Kiểm tra hỗn hợp nhiên liệu dầu.</li> <li>2. Bộ lọc khí bị bẩn.</li> <li>3. Cần điều chỉnh bộ chế hòa khí.</li> </ol>	<ol style="list-style-type: none"> <li>1. Sử dụng nhiên liệu sạch và chính xác loại hỗn hợp dầu 2 kỳ.</li> <li>2. Rửa sạch theo hướng dẫn trong Phần Bảo trì - Bộ lọc khí.</li> <li>3. Liên hệ Đại lý Bảo dưỡng để điều chỉnh bộ chế hòa khí.</li> </ol>
Động cơ khởi động, chạy và tăng tốc nhưng sẽ không tải.	Cần điều chỉnh bộ chế hòa khí.	Xoay vít tốc độ không tải " <b>T</b> " (Hình. xx) theo chiều kim đồng hồ để tăng tốc độ không tải. Xem Vận hành - Điều chỉnh Bộ chế hòa khí.
Thanh dẫn và xích chạy nóng và xả khói	<ol style="list-style-type: none"> <li>1. Bình chứa dầu xích rỗng.</li> <li>2. Lực căng xích quá chặt.</li> <li>3. Chức năng của bơm dầu.</li> </ol>	<ol style="list-style-type: none"> <li>1. Bình chứa dầu phải được nạp từng lần để bình nhiên liệu được nạp đầy.</li> <li>2. Căng xích theo hướng dẫn trong phần Vận hành - Căng xích (Trang .107).</li> <li>3. Chạy toàn bộ tiết lưu ga 15 đến 30 giây. Dừng máy cưa và kiểm tra nhỏ dầu từ tấm chắn ở đầu thanh dẫn và thanh dẫn. Nếu có dầu, xích có thể bị mòn hoặc thanh dẫn có thể bị hỏng. Nếu không có dầu, hãy liên hệ Đại lý Bảo dưỡng.</li> </ol>
Động cơ khởi động và chạy, nhưng xích không quay	<ol style="list-style-type: none"> <li>1. Hãm xích đã được khớp vào.</li> <li>2. Lực căng xích quá chặt.</li> <li>3. Thanh dẫn và xích đã được lắp vào.</li> <li>4. Xích và/hoặc thanh dẫn hướng bị hỏng.</li> <li>5. Bánh ly hợp và/hoặc bánh răng bị hỏng.</li> </ol>	<ol style="list-style-type: none"> <li>1. Nhả hãm xích, xem Phần Vận hành-Hãm xích (Trang 110).</li> <li>2. Căng xích theo hướng dẫn trong phần Vận hành - Căng xích (Trang 107).</li> <li>3. Tham khảo phần Lắp ráp-Lắp ráp Thanh dẫn và Xích (Trang 107).</li> <li>4. Tham khảo Phần Bảo trì-Xích và/hoặc Bảo trì-Thanh dẫn (Trang 112).</li> <li>5. Thay thế nếu cần thiết - liên hệ Đại lý Bảo dưỡng.</li> </ol>



**CẢNH BÁO:** Không được chạm vào xích khi động cơ đang chạy.







**GB WARNING!** - This owner's manual must stay with the machine for all its life.

**F ATTENTION!** - Le manuel doit accompagner la machine pour toute sa vie.

**E ¡ATENCIÓN!** - Este manual debe acompañar a la máquina durante toda su vida útil.

**RUS ВНИМАНИЕ!** - Настоящая инструкция должна сопровождать изделие во время всего срока его службы.

**UK УВАГА!** - Ця інструкція повинна супроводжувати виріб під час всього строку його служби.

**MAL AMARAN!** - Manual pemilik ini mesti kekal bersama dengan mesin sepanjang hayatnya.

**VN CẢNH BÁO!** - Giữ hướng dẫn sử dụng này cùng với máy trong suốt vòng đời của máy.

Mod. 5031024 - Mag/2017

**Emak S.p.A.**  
42011 Bagnolo in Piano (RE) Italy  
[www.emakgroup.com](http://www.emakgroup.com)  
[www.youtube.it/EmakGroup](https://www.youtube.it/EmakGroup)  
[www.linkedin.com/company/emak-s-p-a](http://www.linkedin.com/company/emak-s-p-a)

