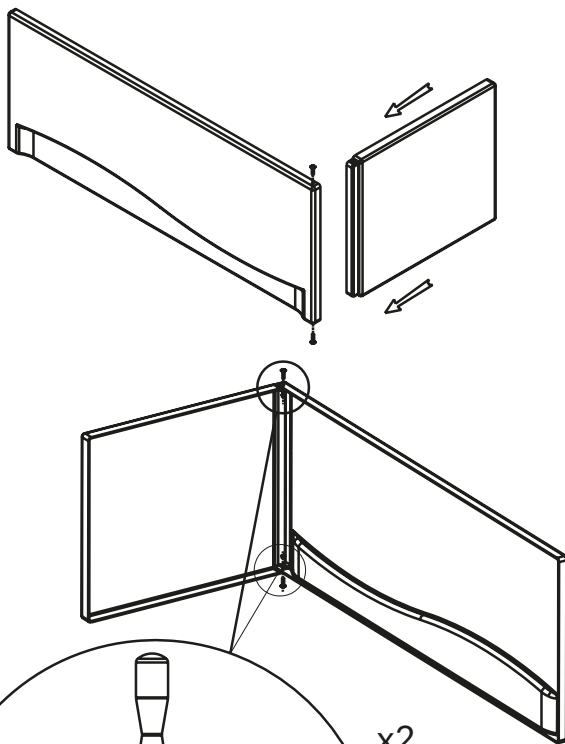
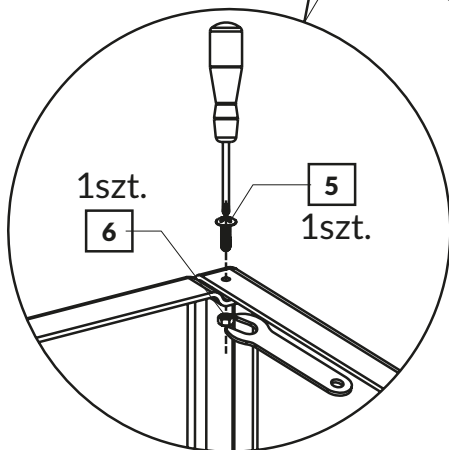


2

A + B

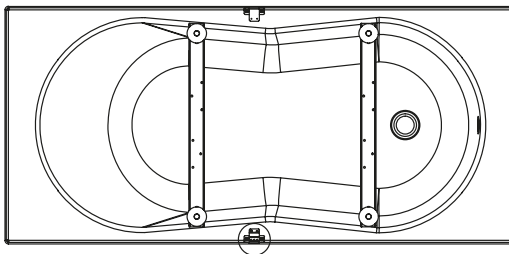


x2

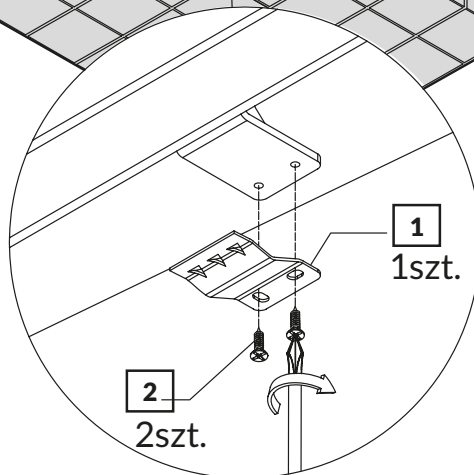
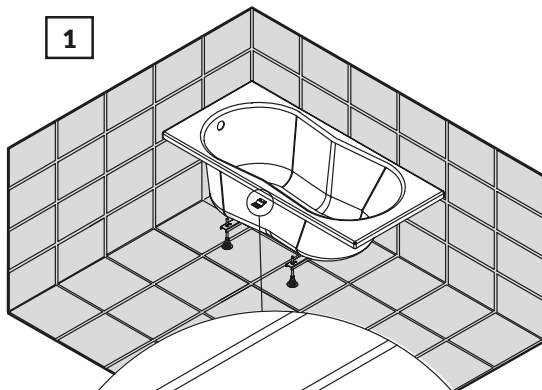


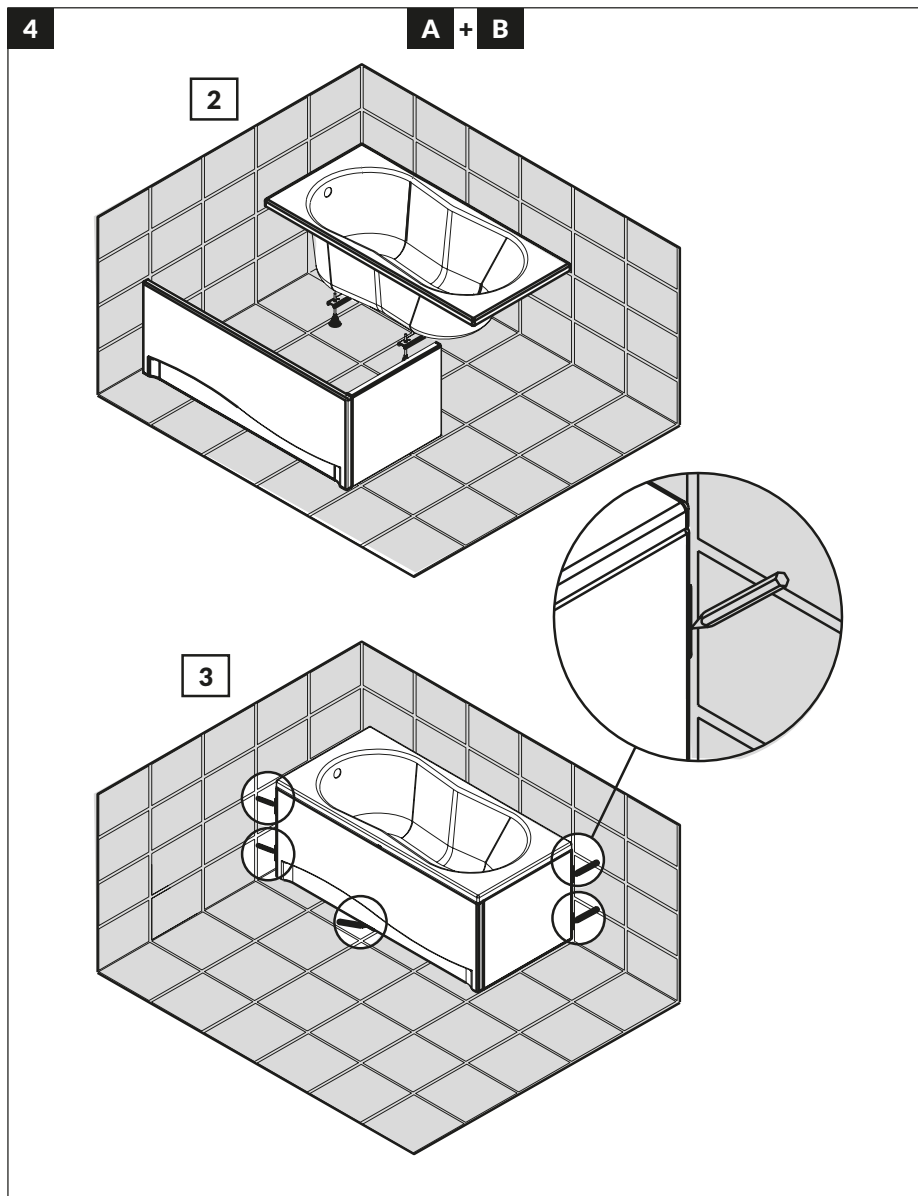
3

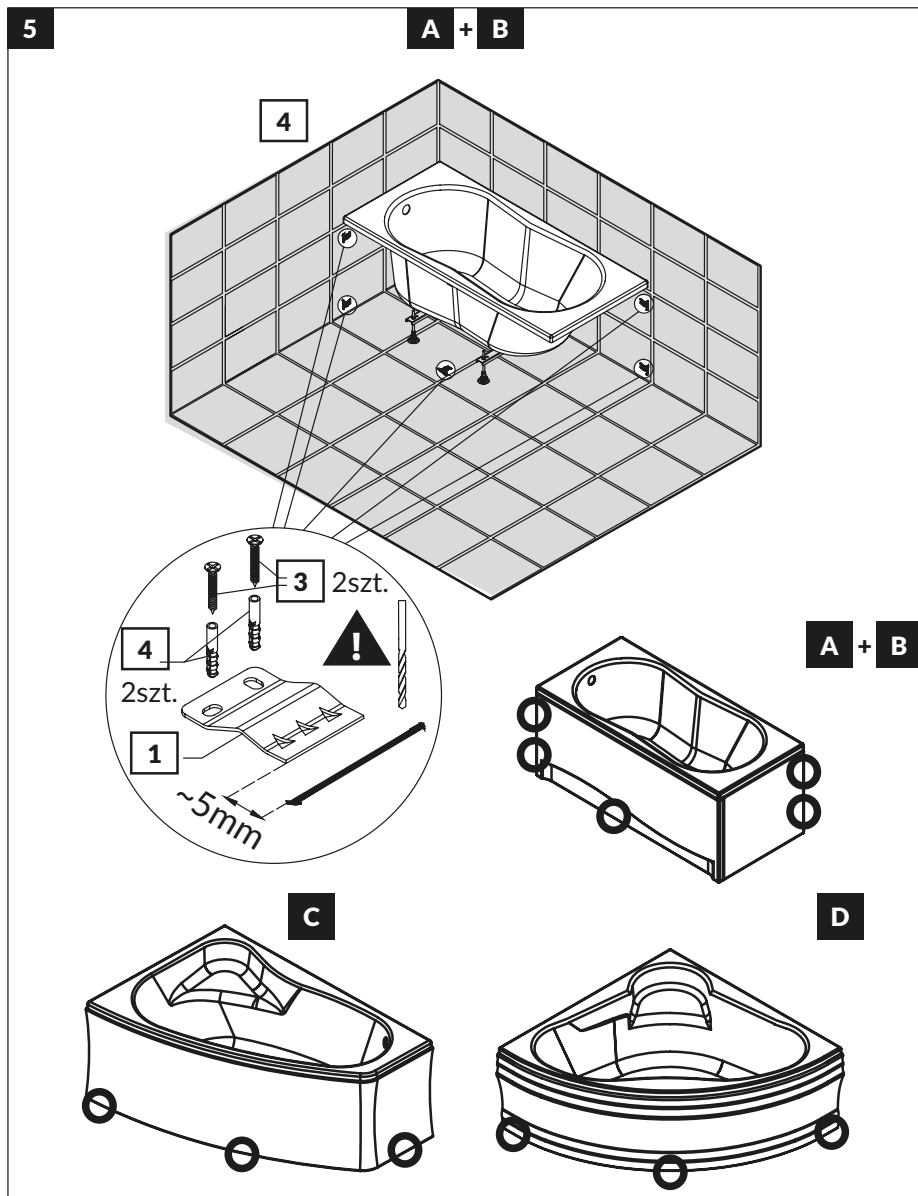
A + B

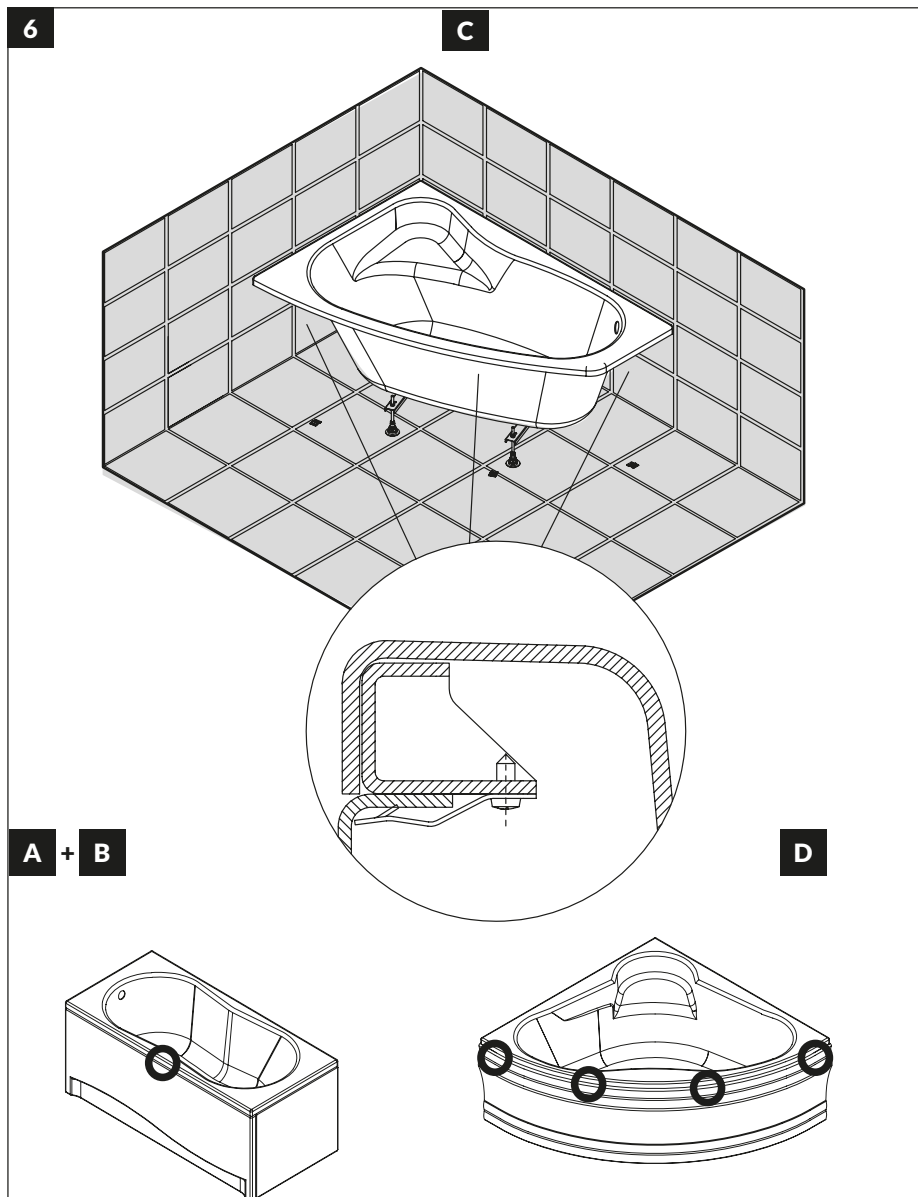


1







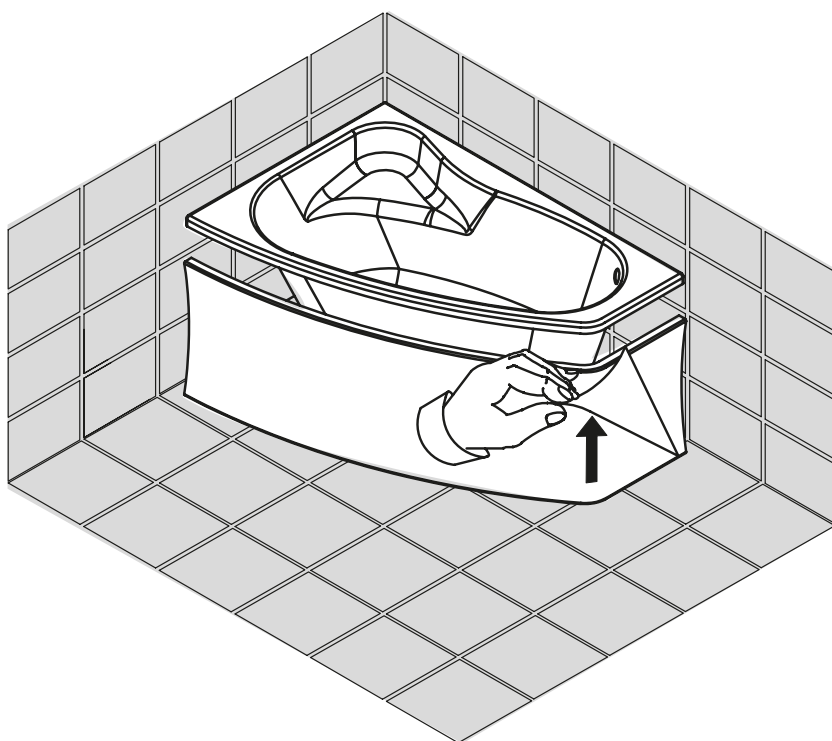




7

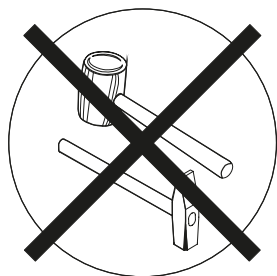
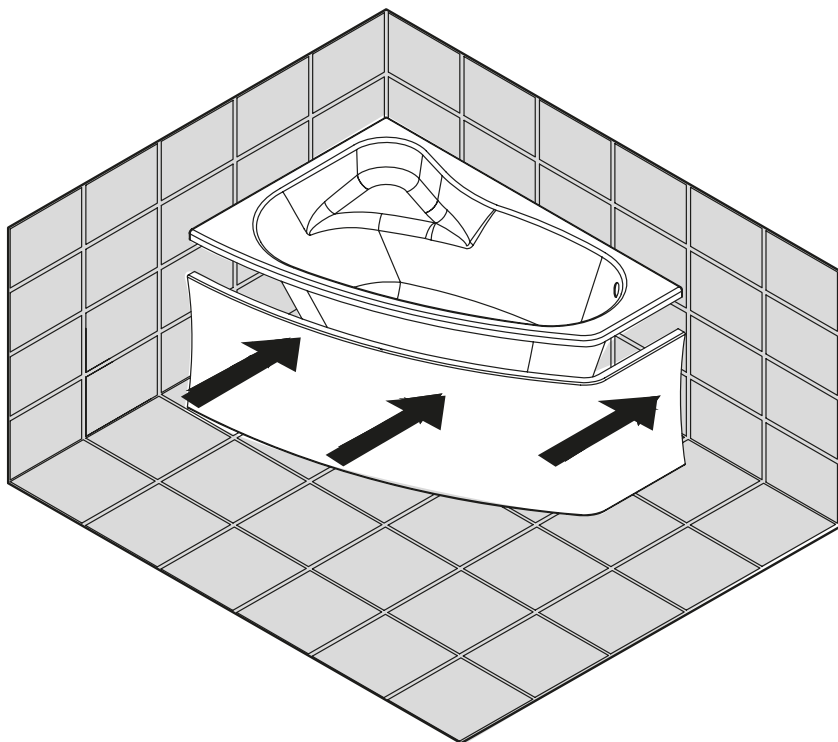
A + B

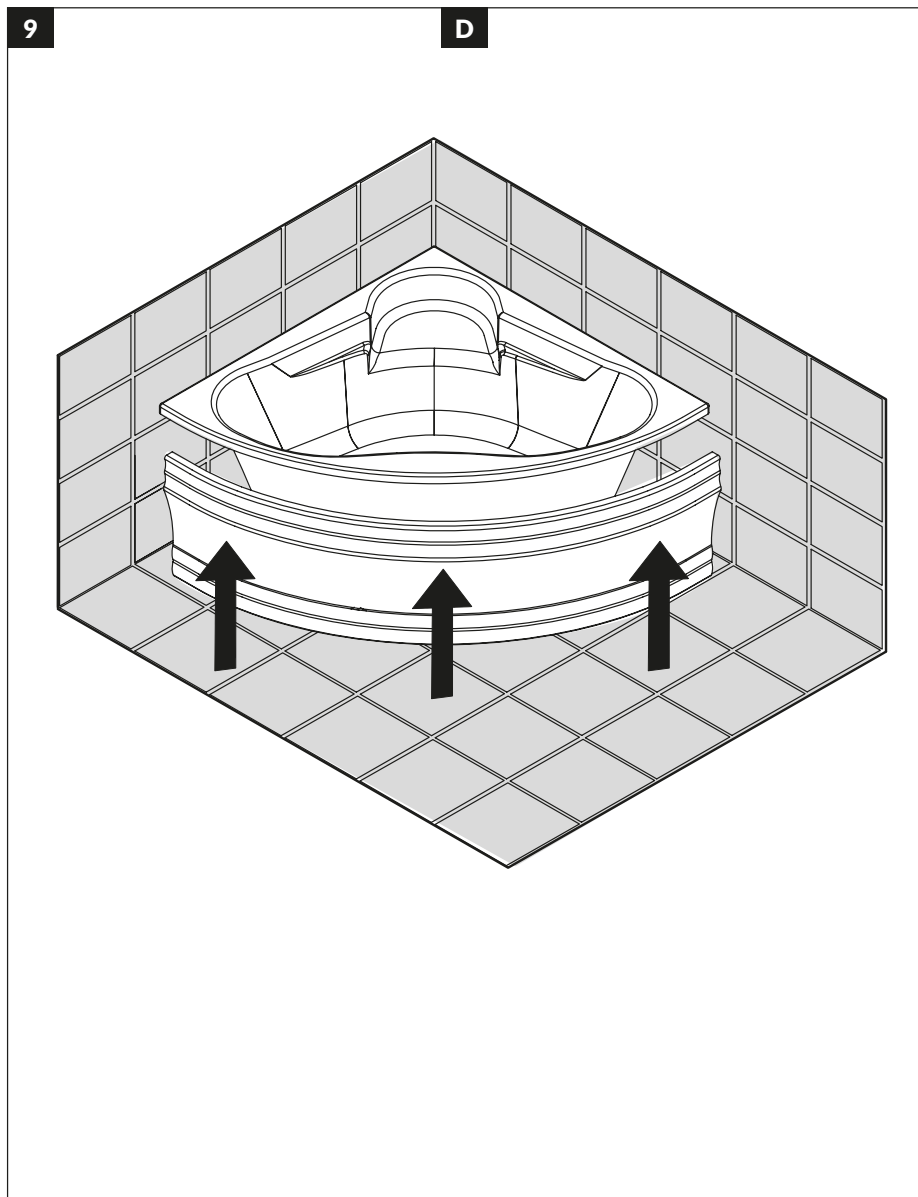
C D



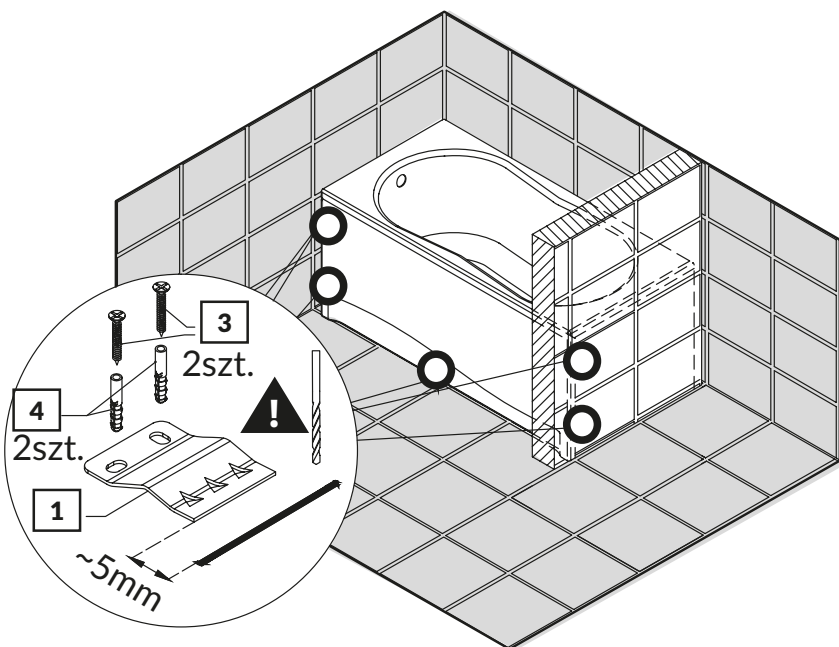
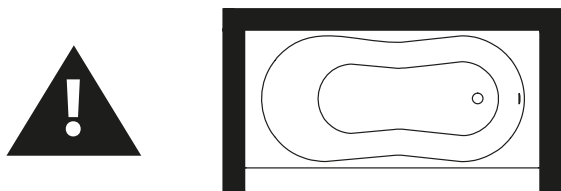
8

C





10



12