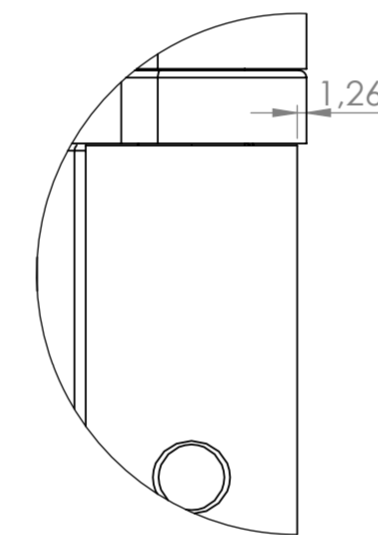
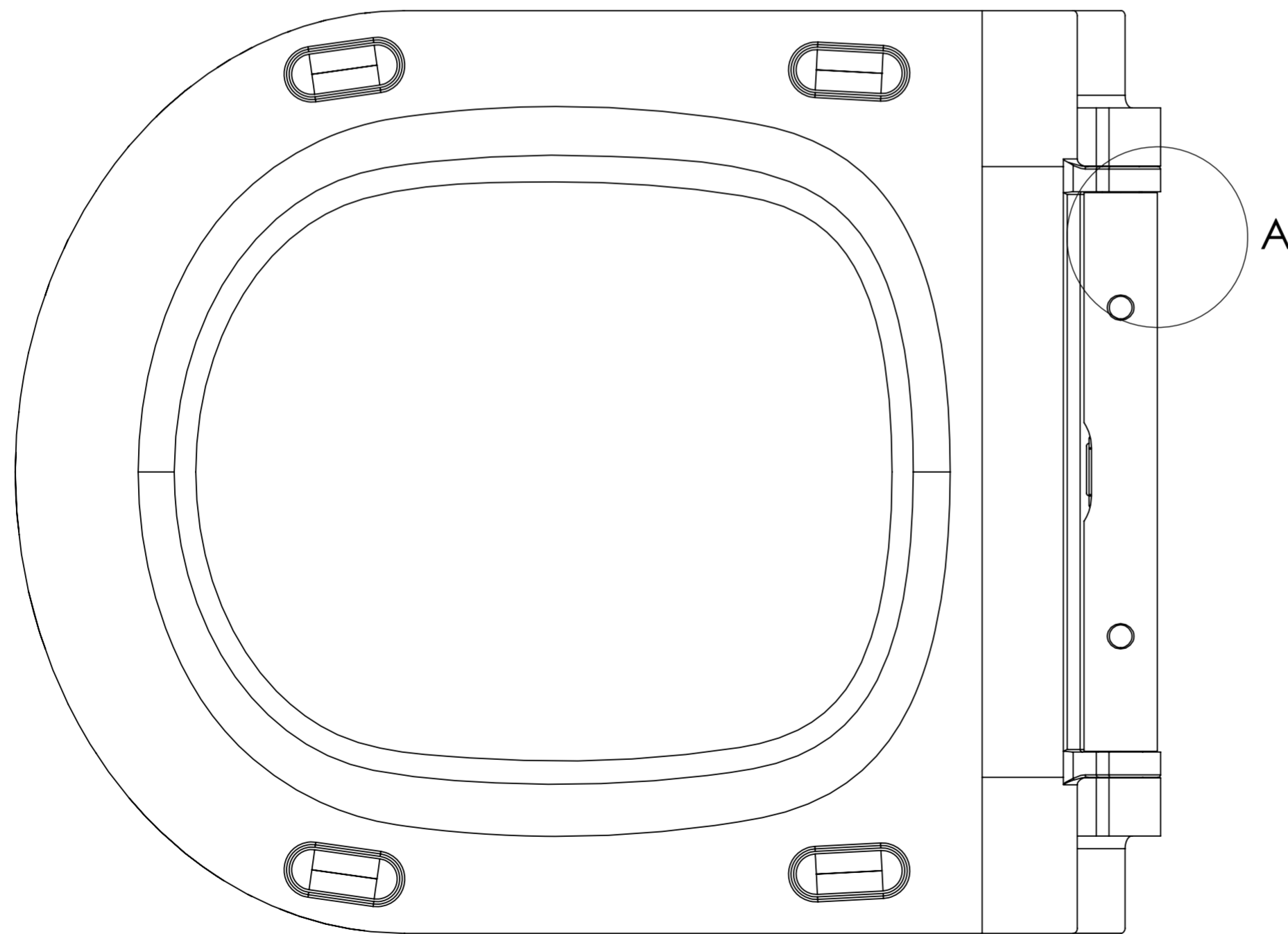
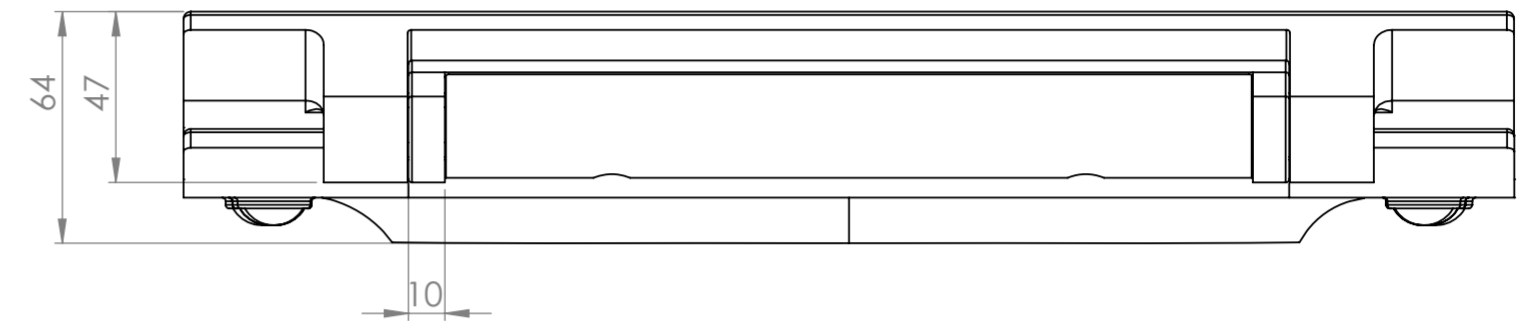
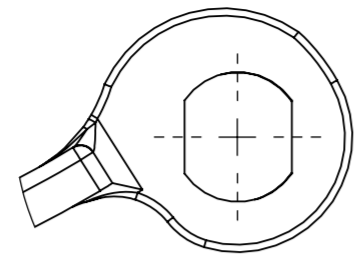


SKALA 1 : 2

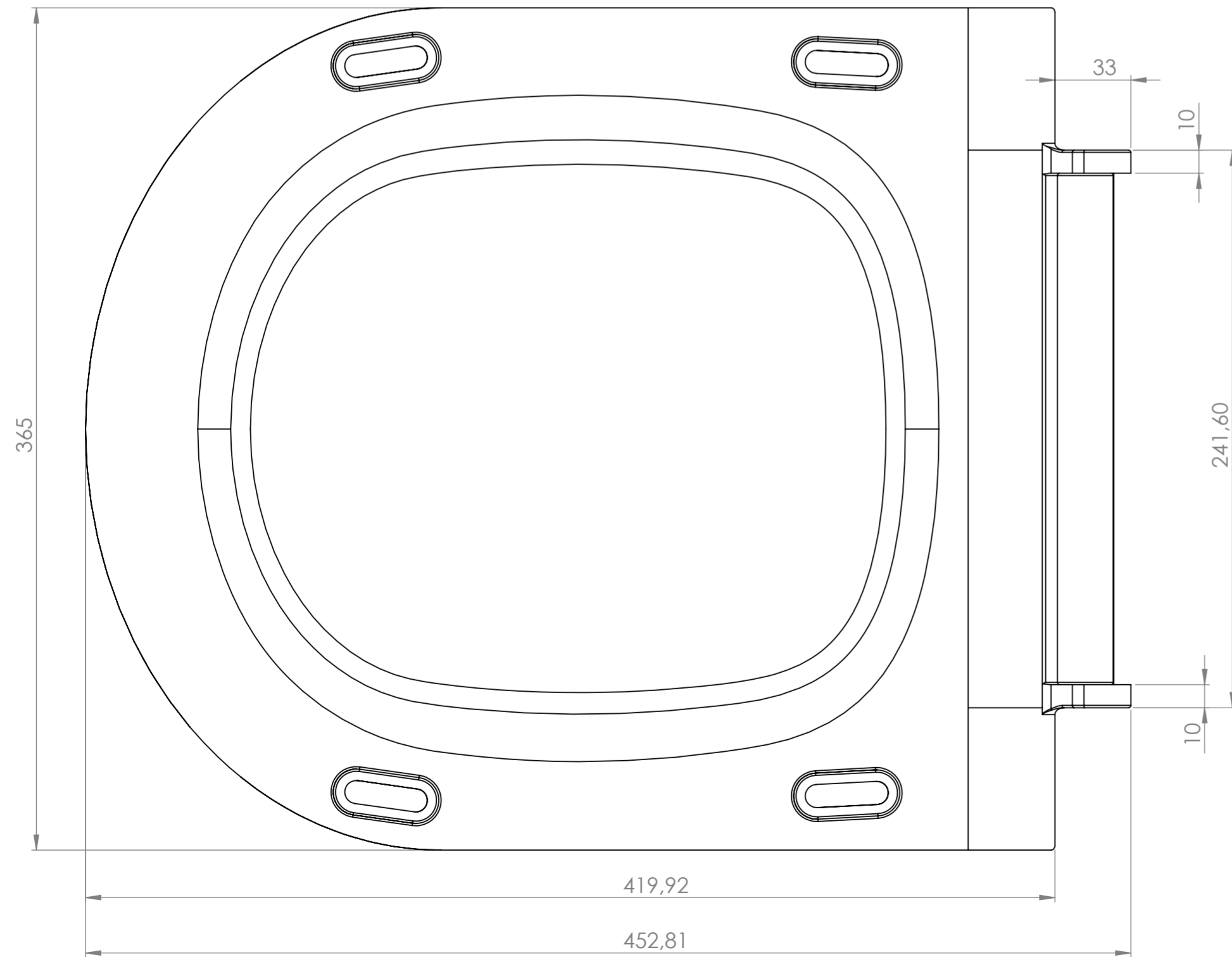
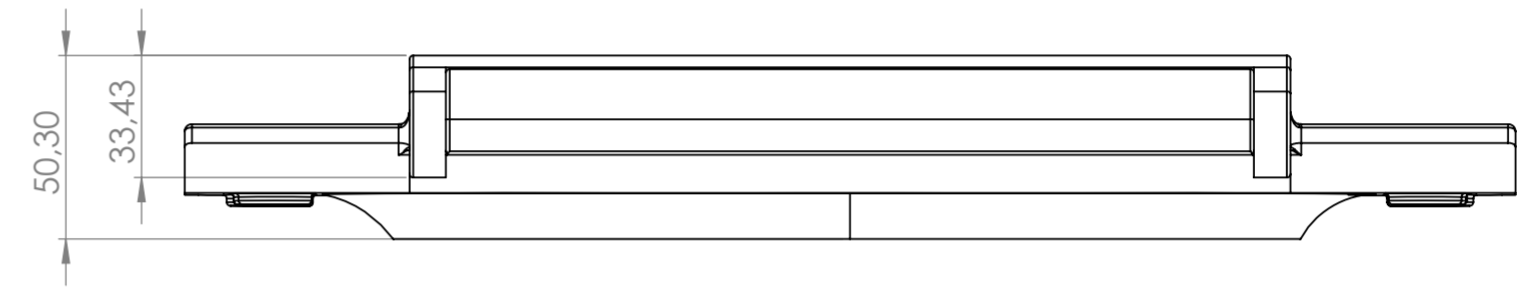
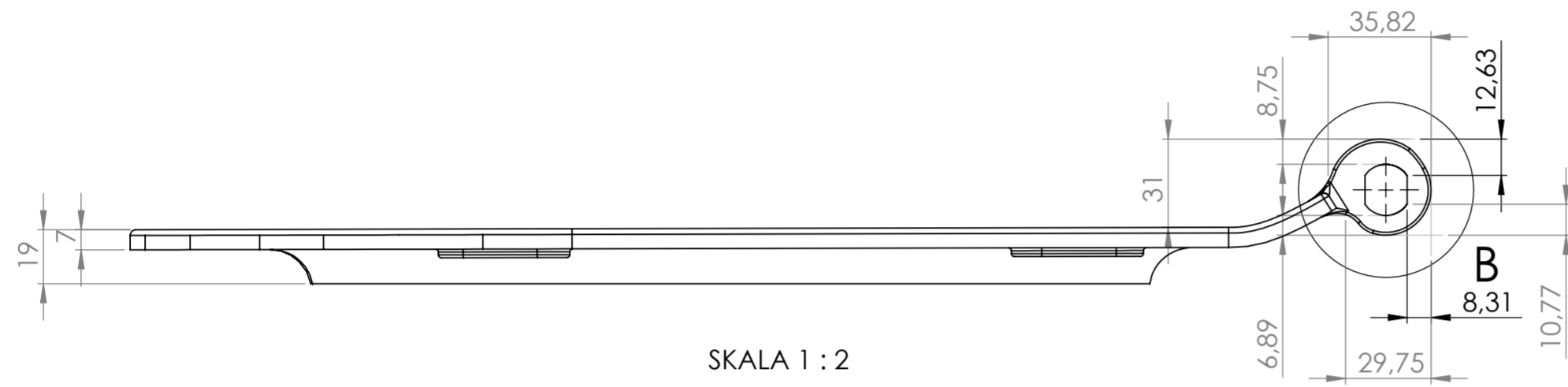


SZCZEGÓŁ A
SKALA 1 : 1

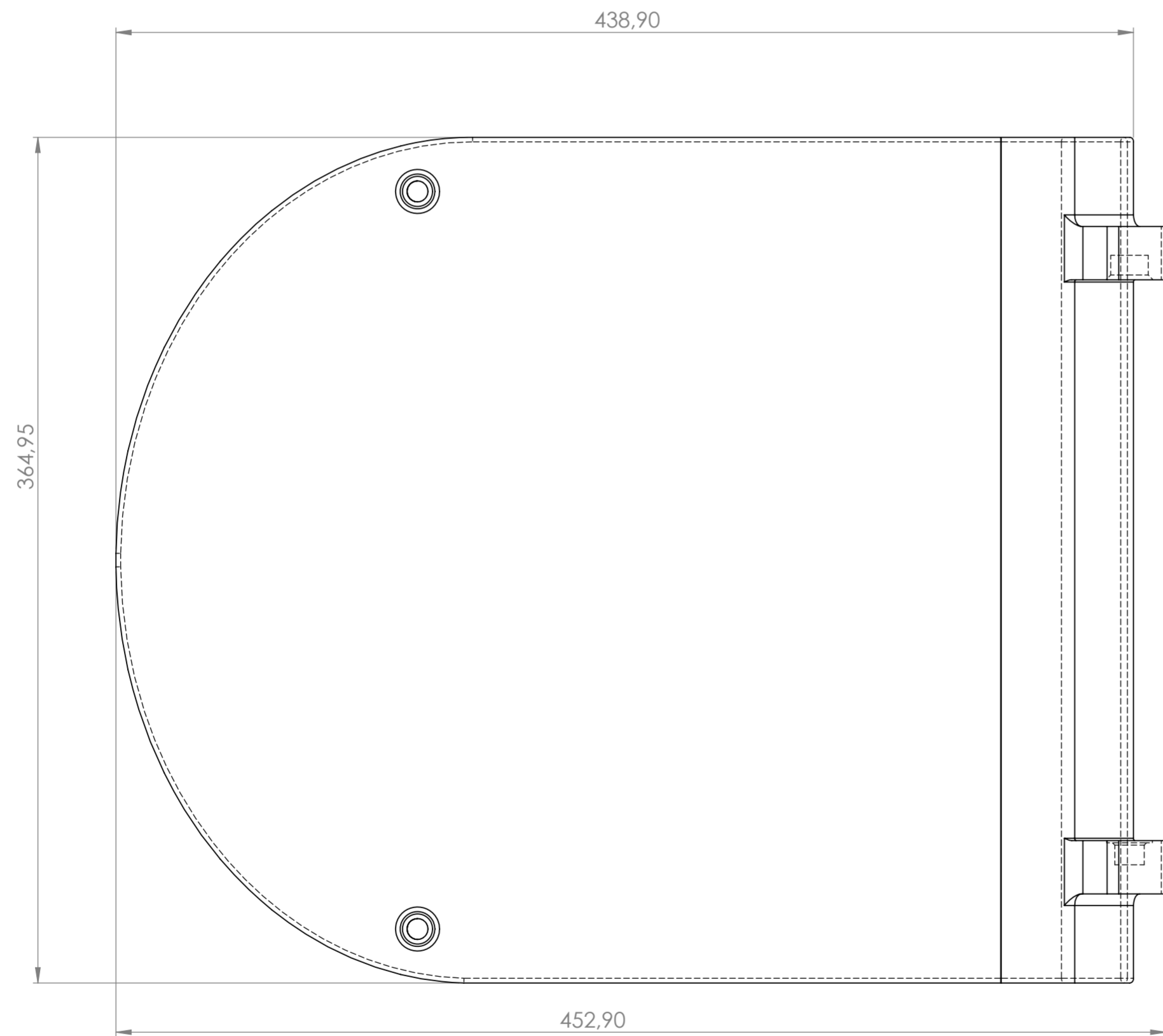
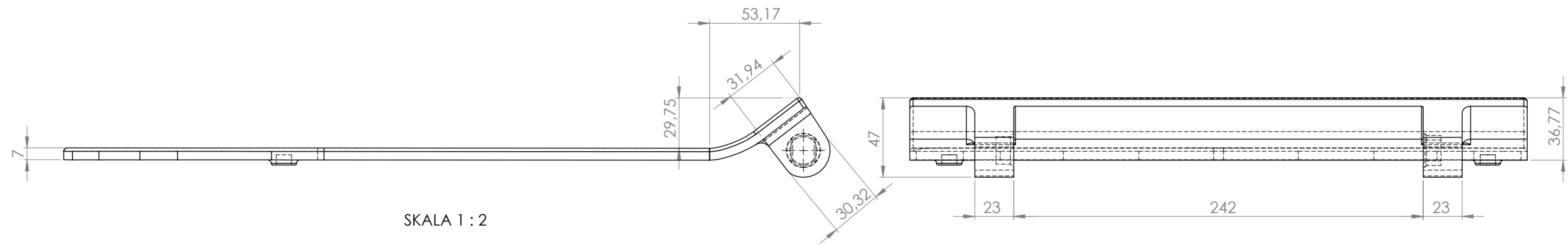
1:5	Designed	Card number changes
Magellan	Description:	Product number: City Płaska kpl. rev E
		2016-05-09 1/3



SZCZEGÓŁ B
SKALA 1 : 1



1:5	Designed	Card number changes
Magellan	-	Product number Siedzisko City Plaska rev E 2016-05-09 2/3



1:5	Designed	Card number changes
Magellan	-	Product number 2016-05-09 Pokrywa City Płaska rev E 3/3