


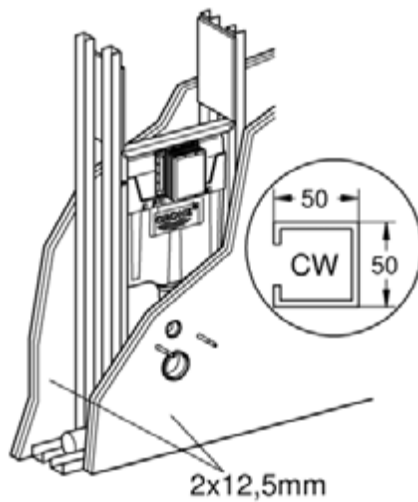
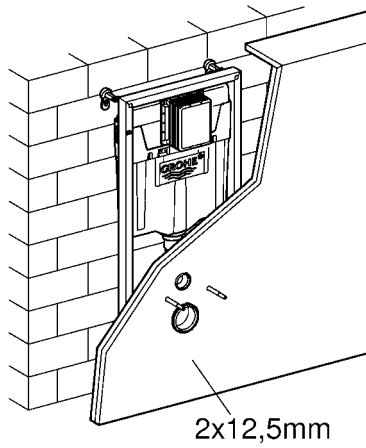
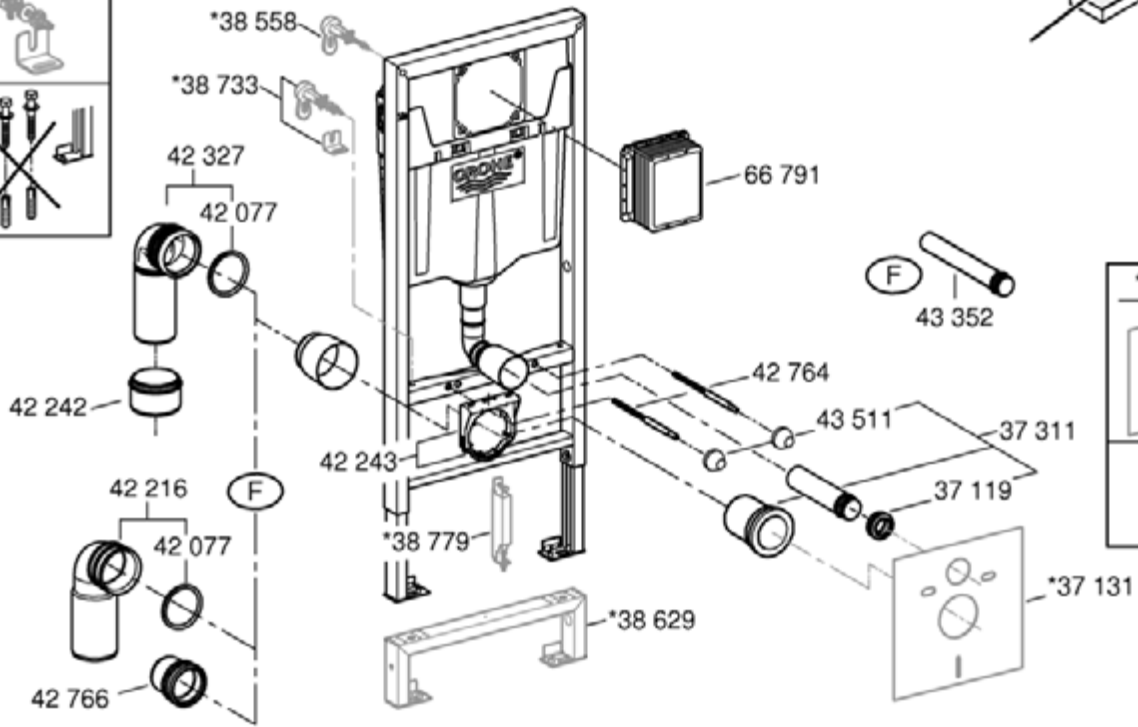
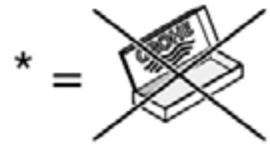
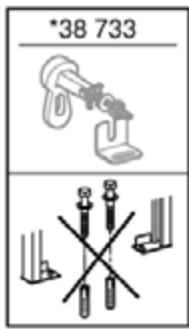
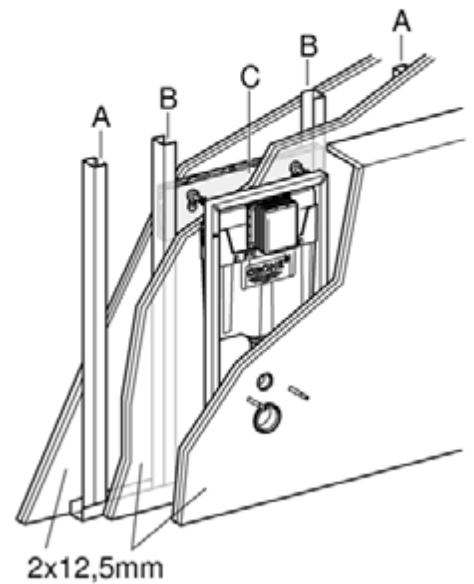
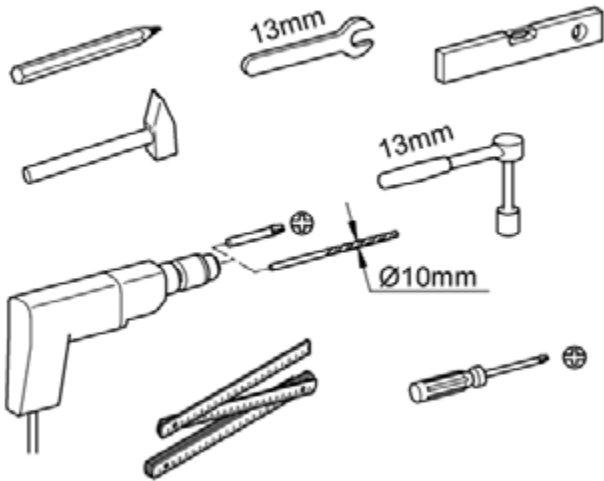
	<p>38 558</p> 	<p>38 629</p> 	<p>38 779</p> 
-------------------------------------------------------------------------------------	----------------------------------------------------------------------------------------------------------	-----------------------------------------------------------------------------------------------------------	------------------------------------------------------------------------------------------------------------

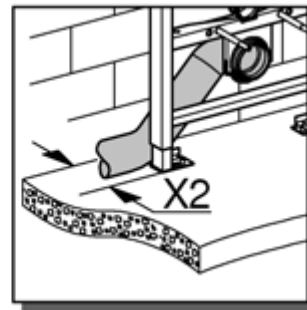
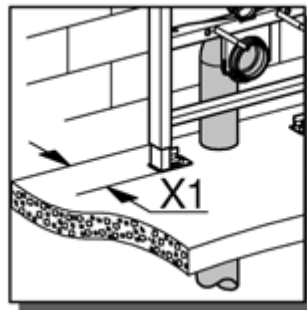
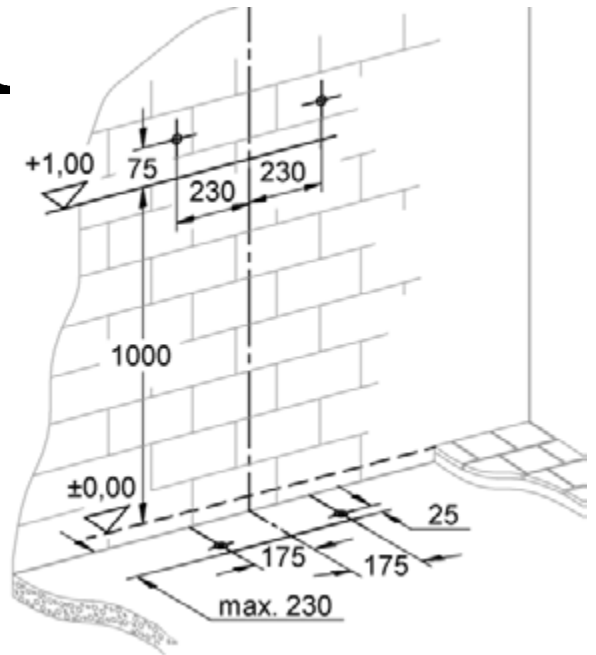


A	B	C
50x50x0,6 75x50x0,6	50x40x2 75x40x2	300x620x24

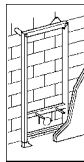




i



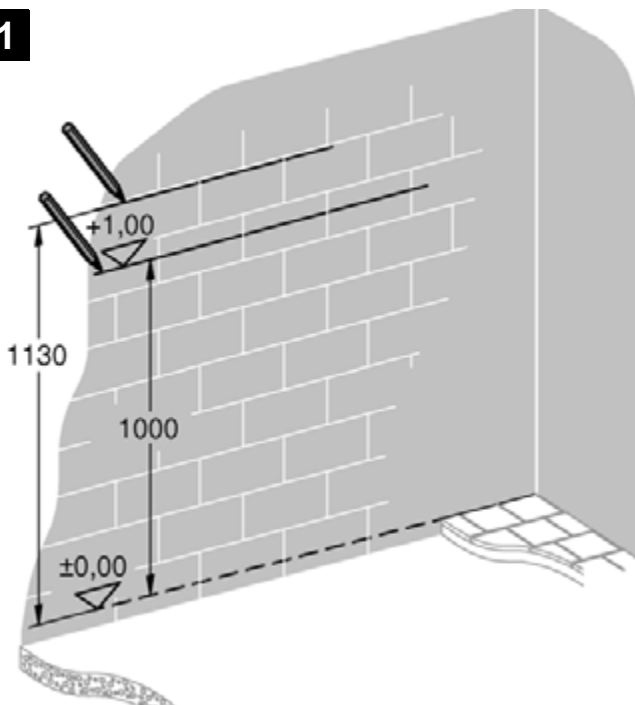
	X1	X2
	max.230	
Ø90	min. 135	min. 155
Ø110	min. 145	min. 165



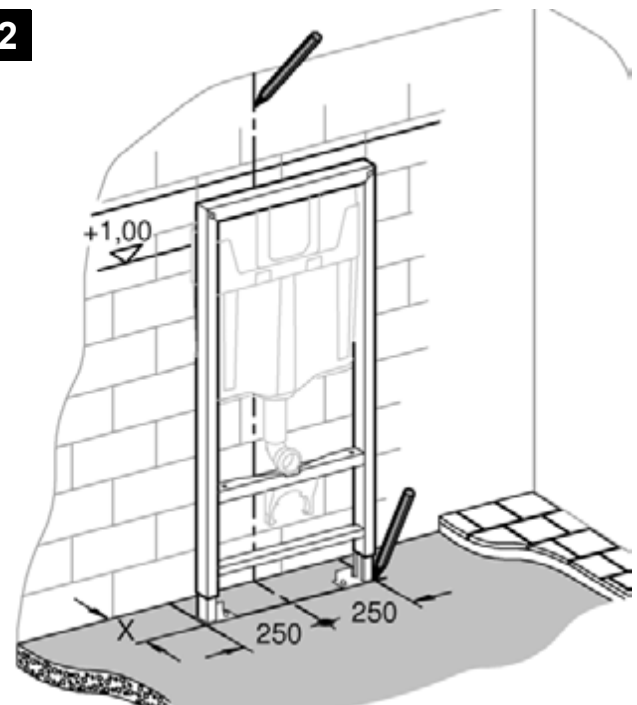
38 558



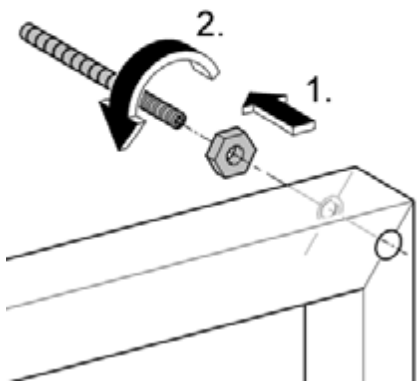
1



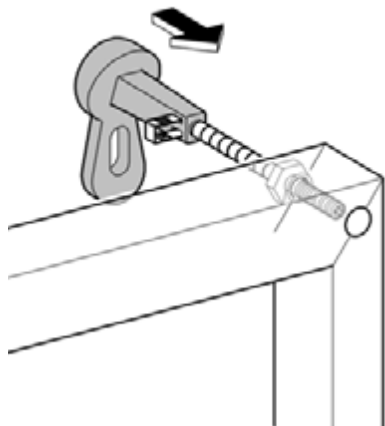
2



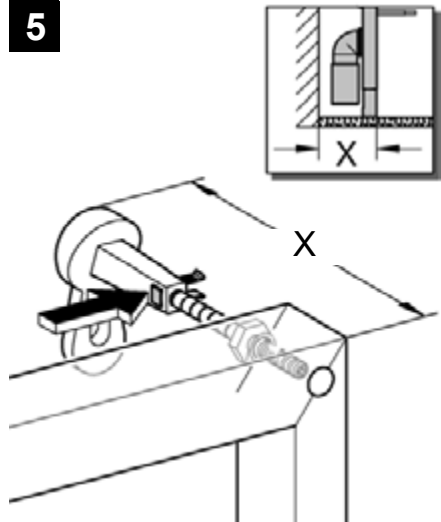
3



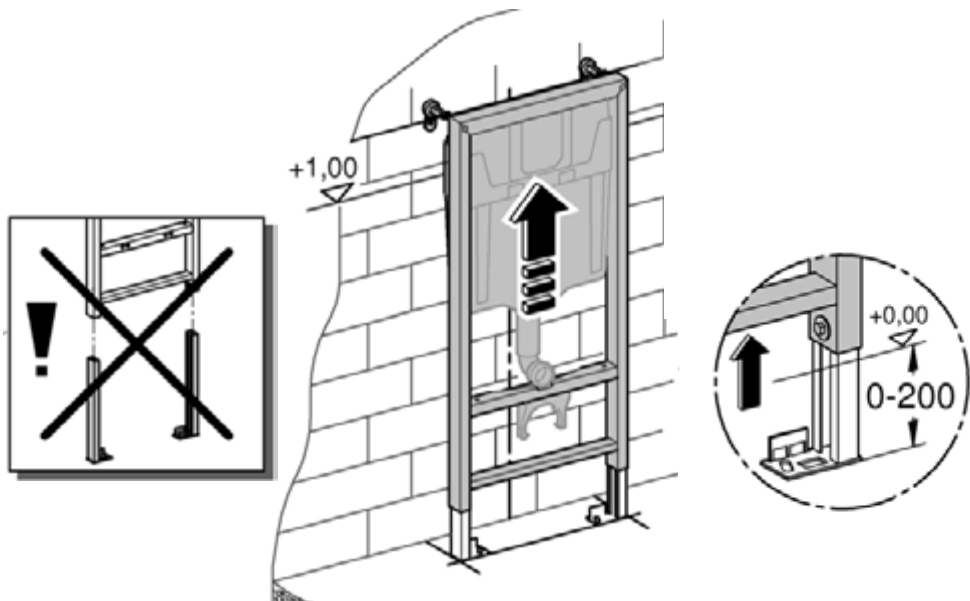
4



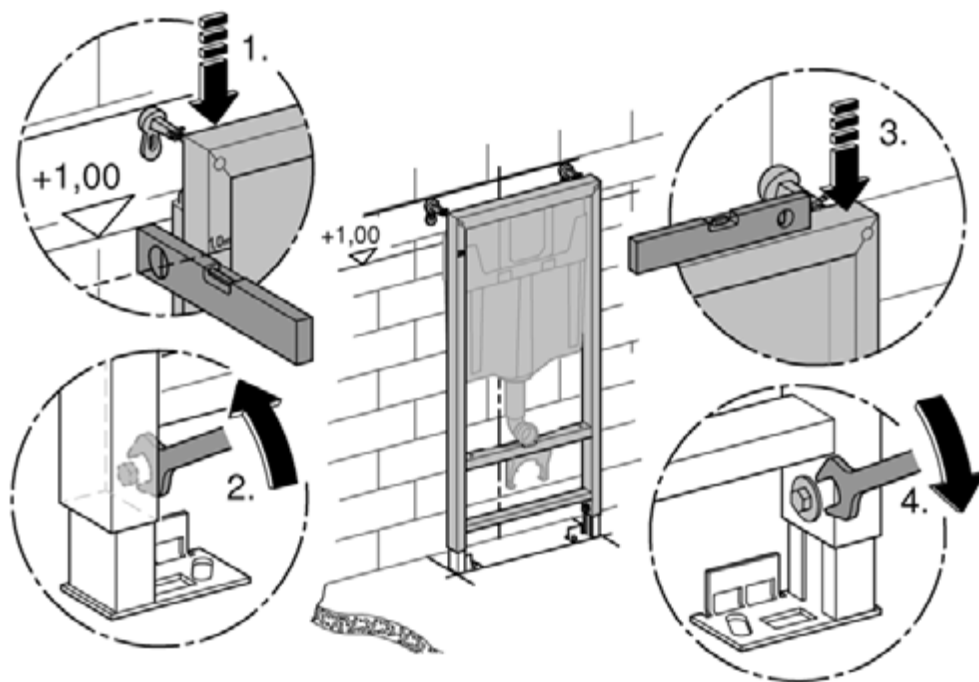
5



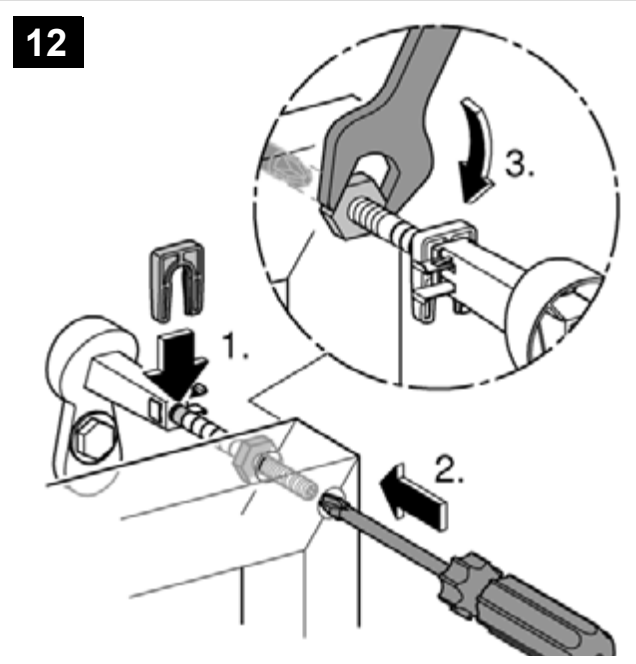
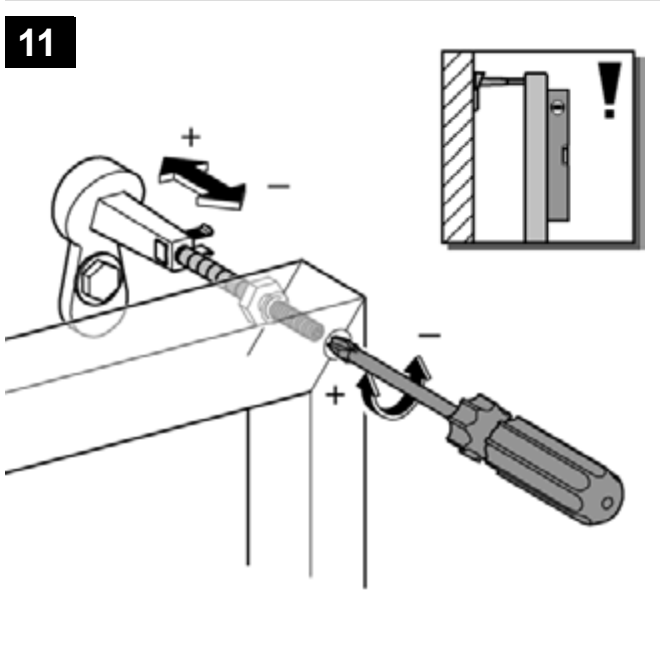
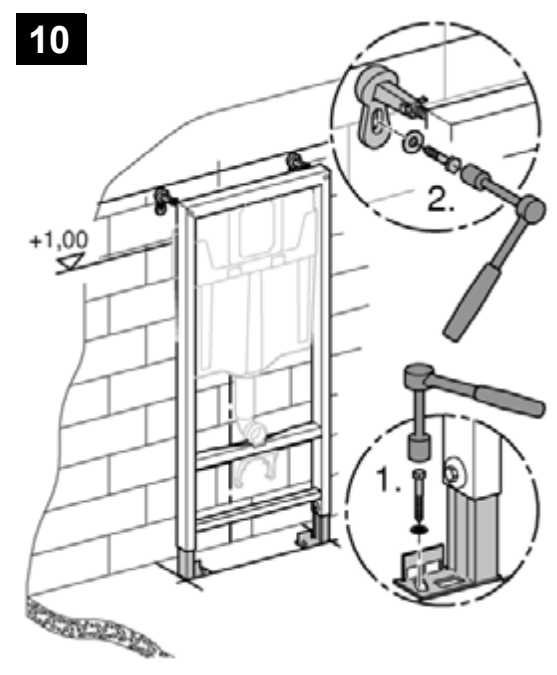
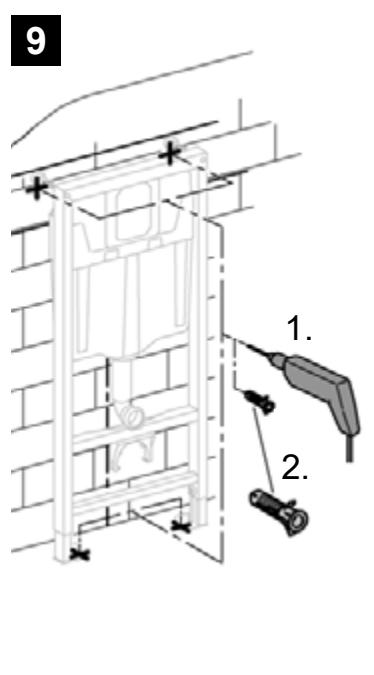
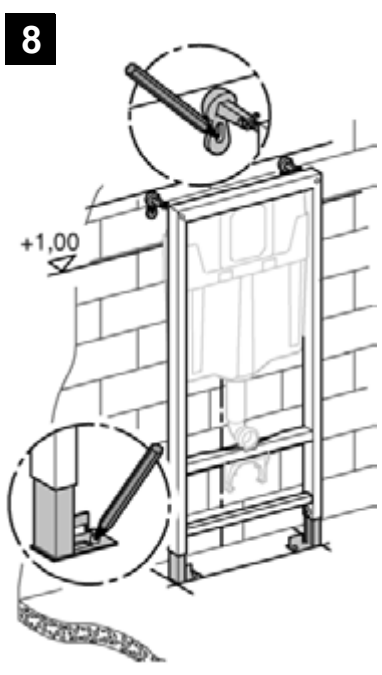
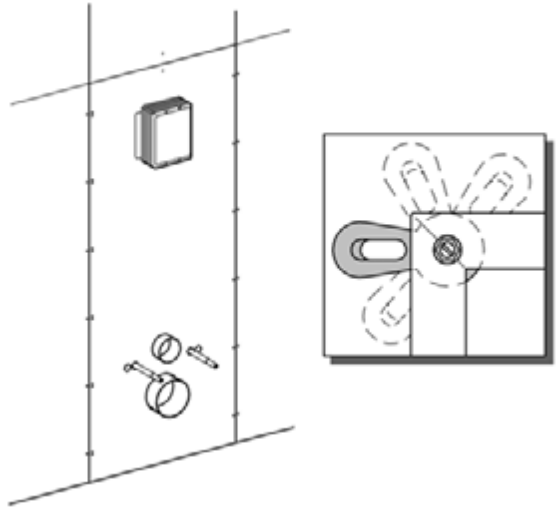
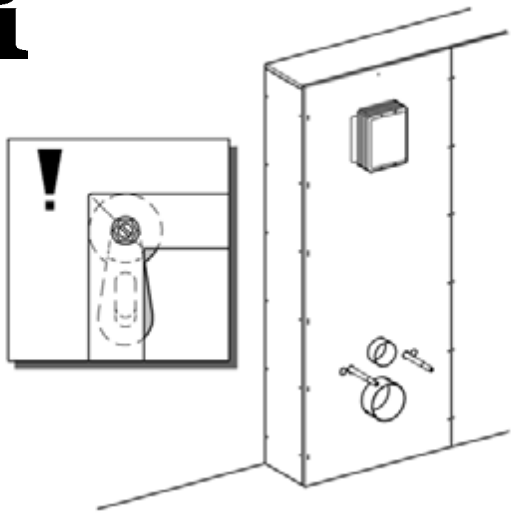
6

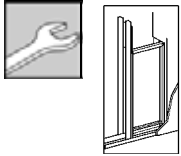


7

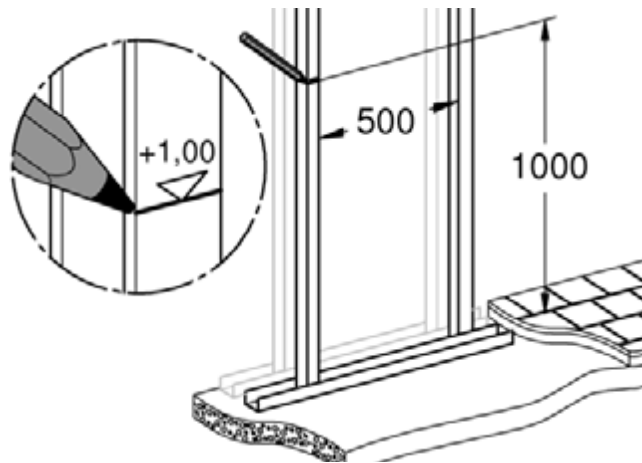


i

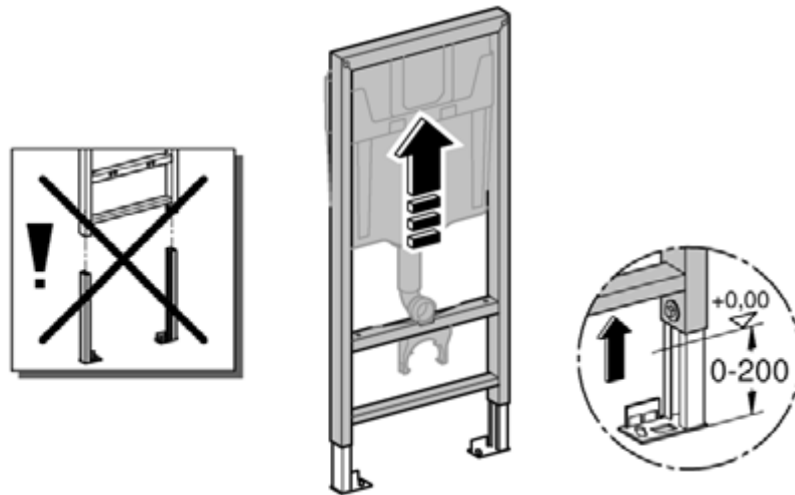




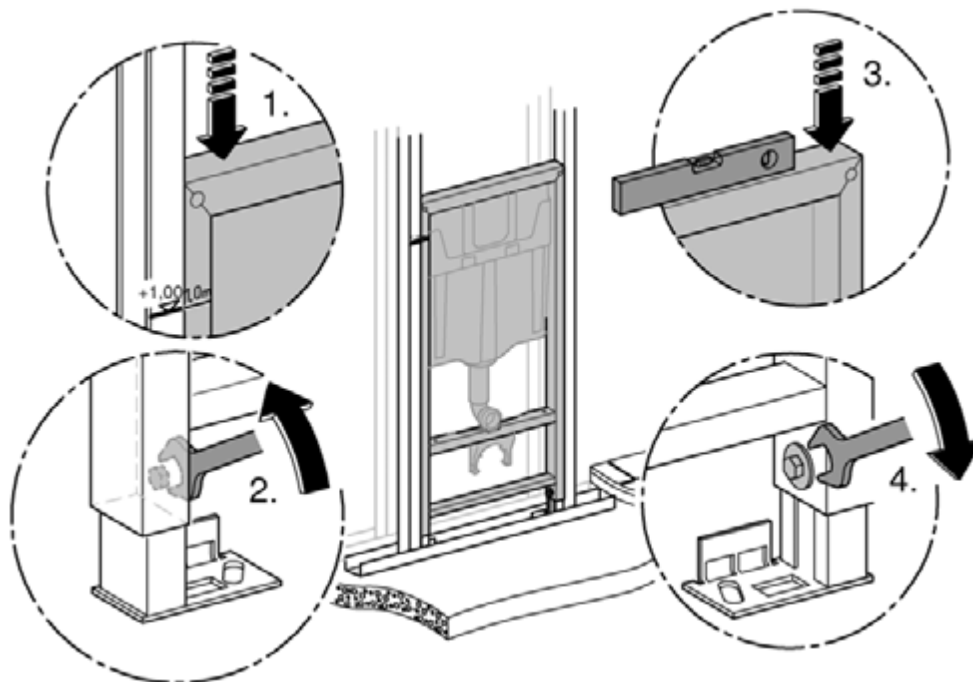
1



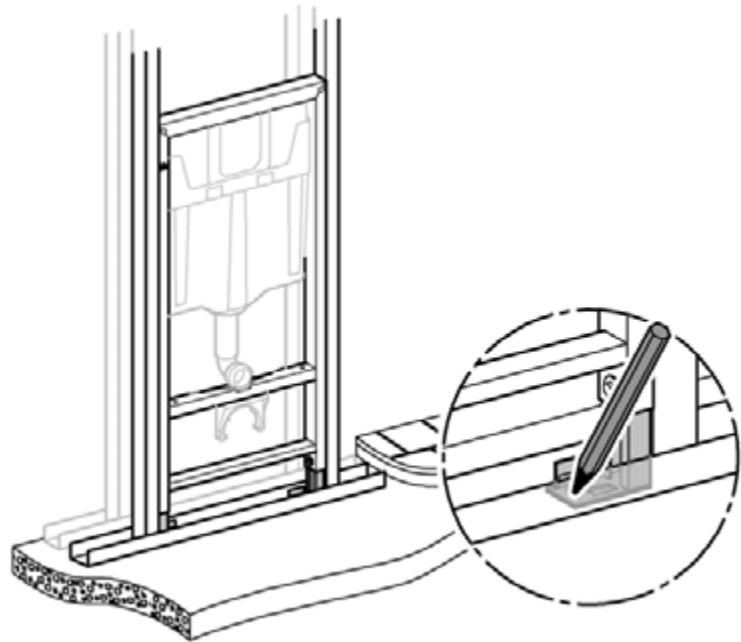
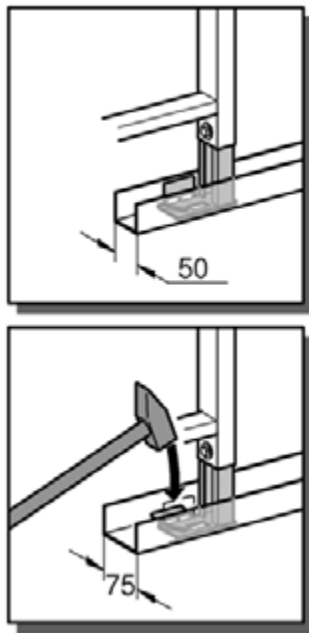
2



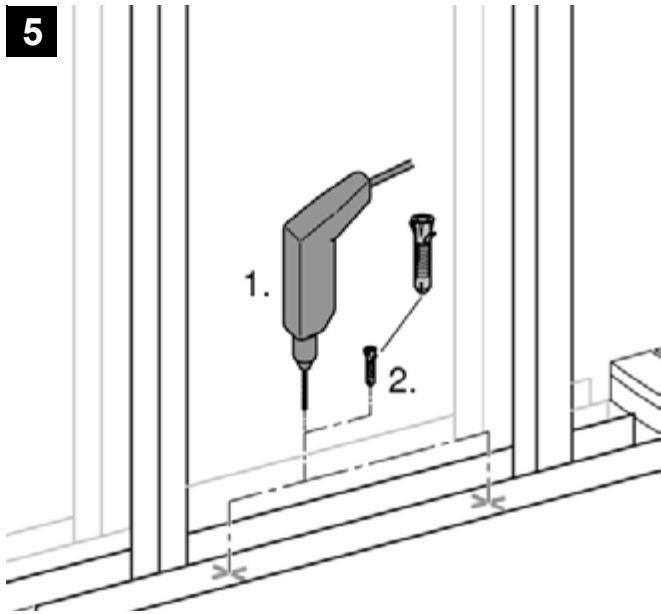
3



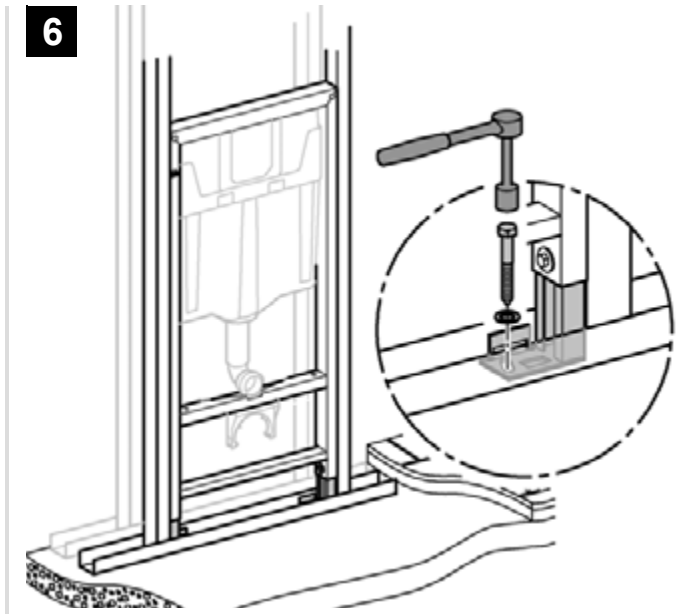
4



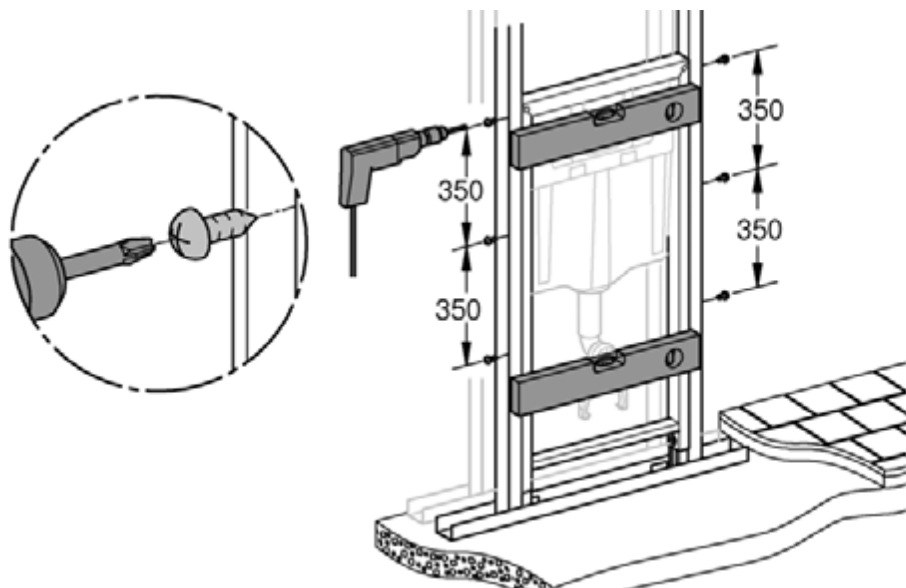
5



6

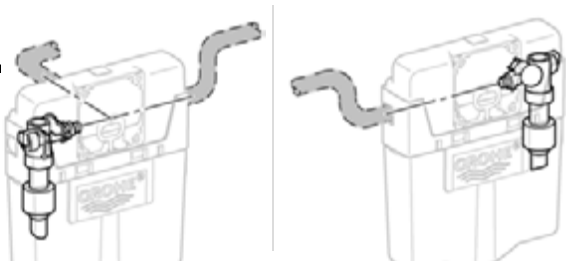


7

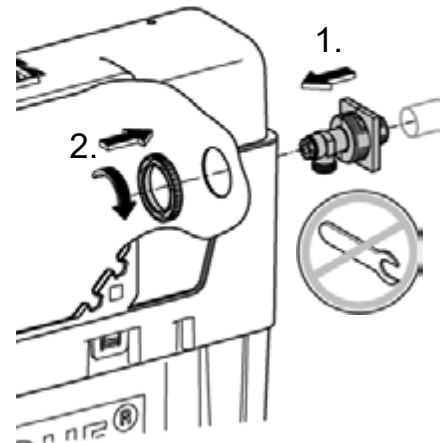
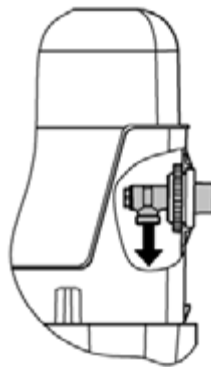
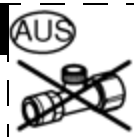




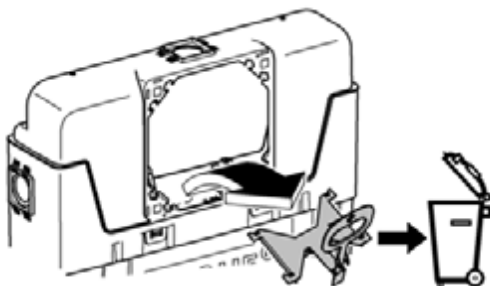
i



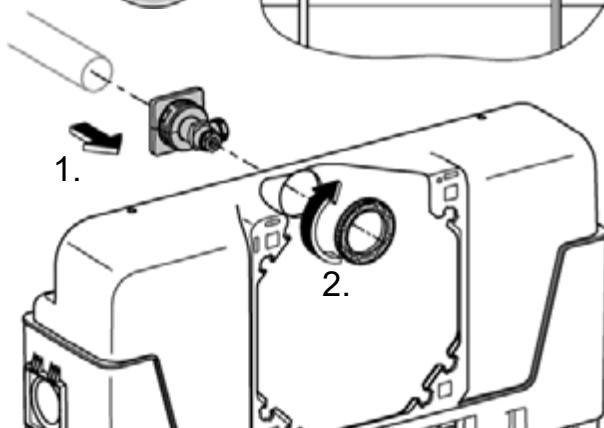
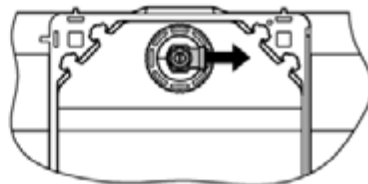
2a



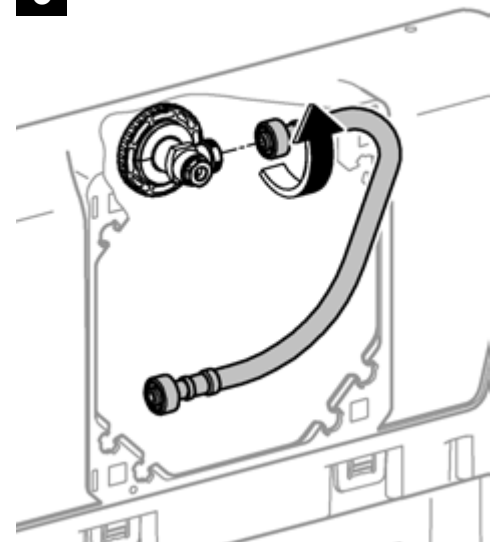
1



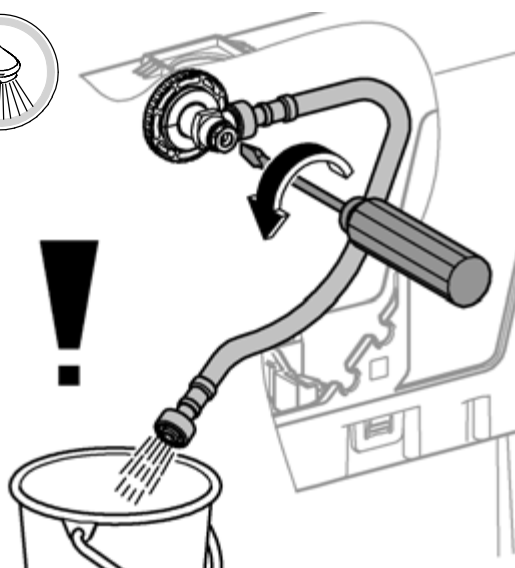
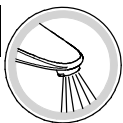
2b



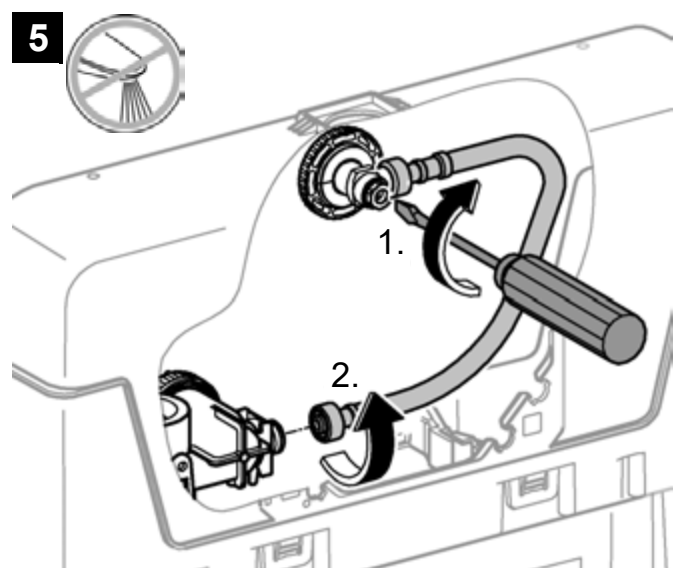
3



4



5





N

DK

FIN

S

i

