



 **BOSCH**

GLL 2-20 G Professional

Robert Bosch Power Tools GmbH
70538 Stuttgart
GERMANY

www.bosch-pt.com

1 609 92A 607 (2021.01) T / 73



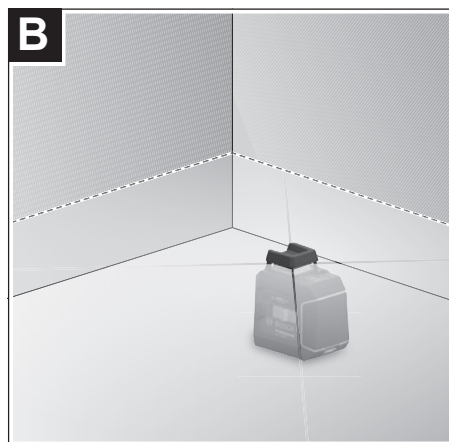
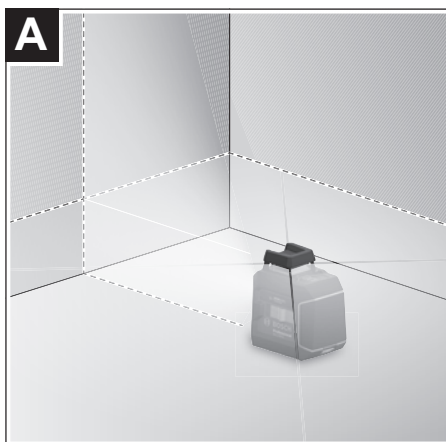
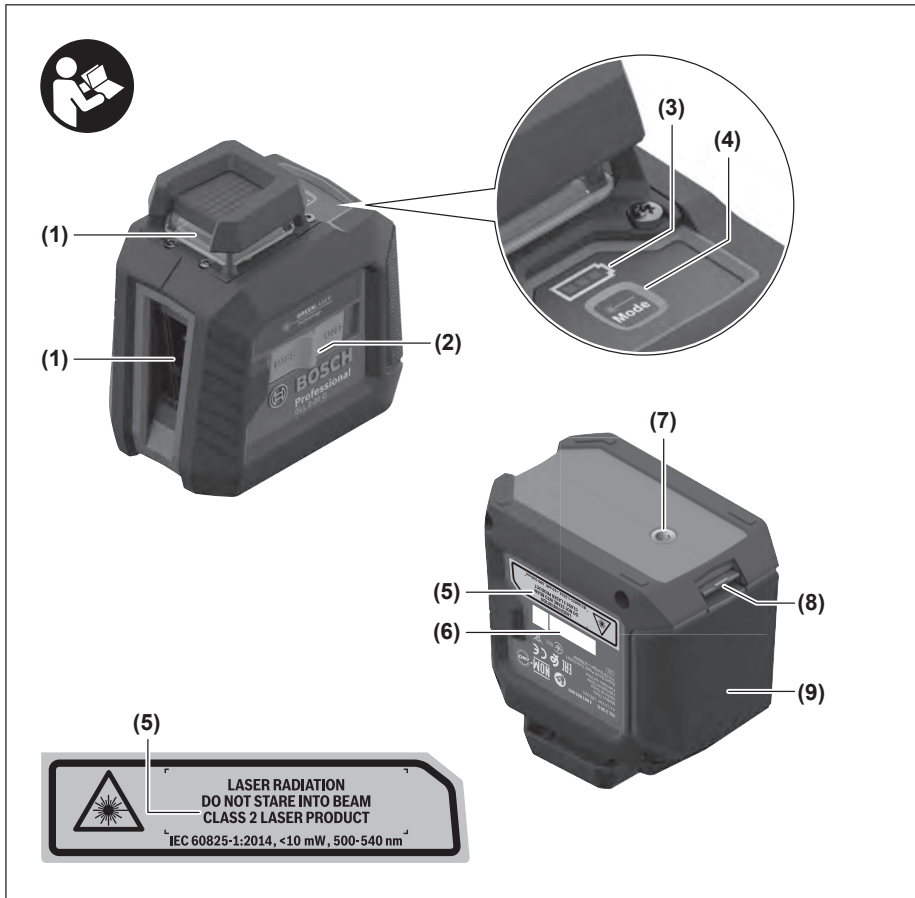
1 609 92A 607

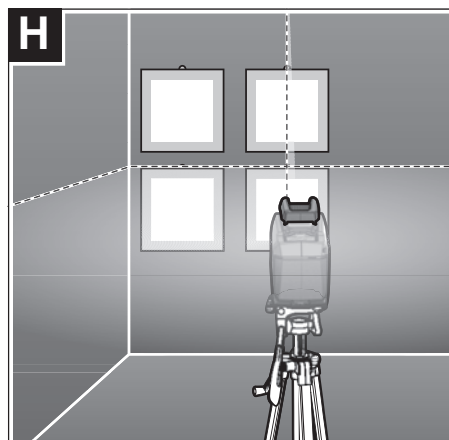
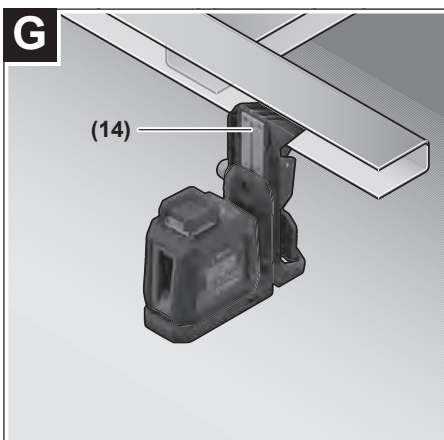
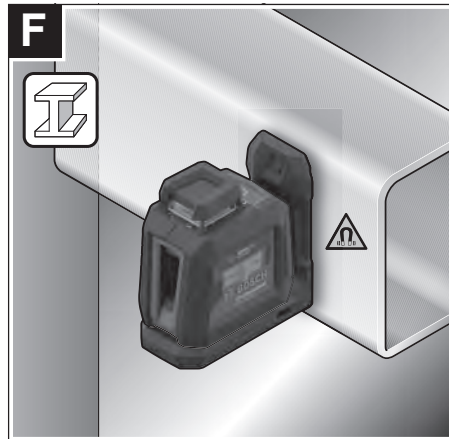
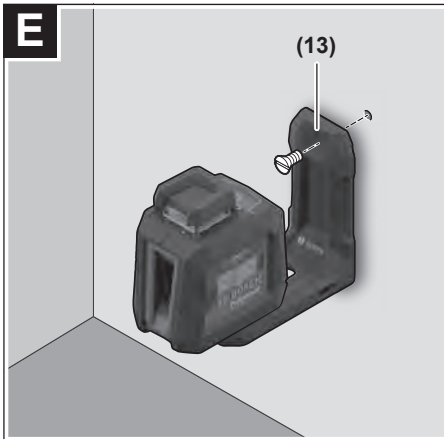
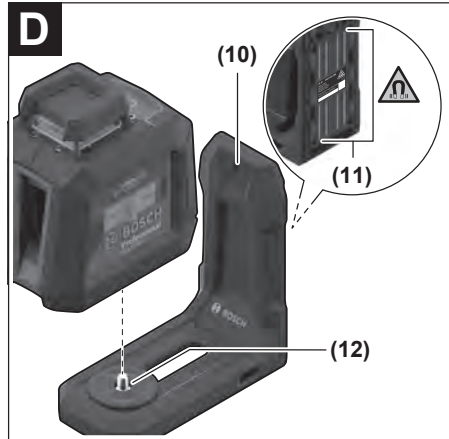
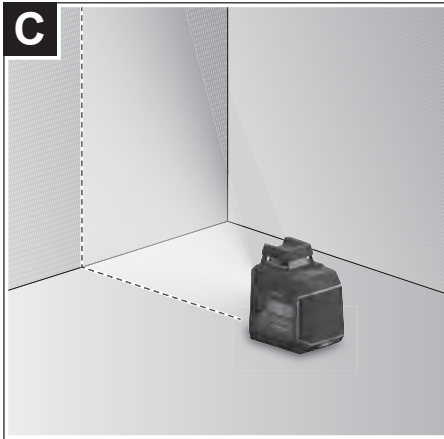


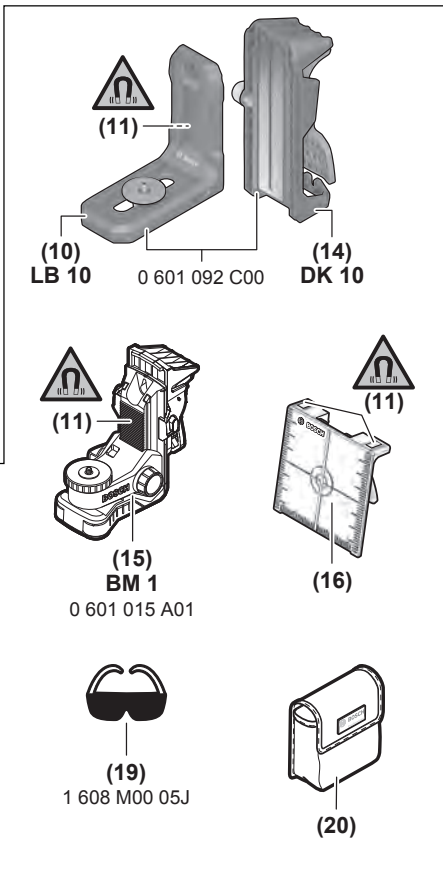
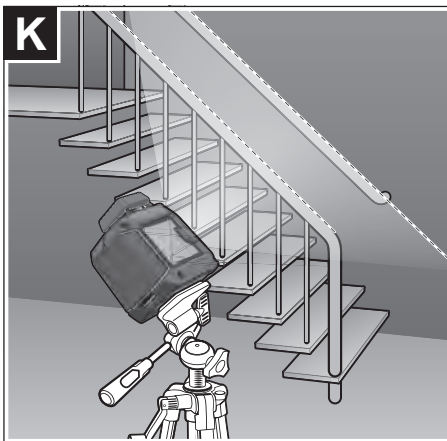
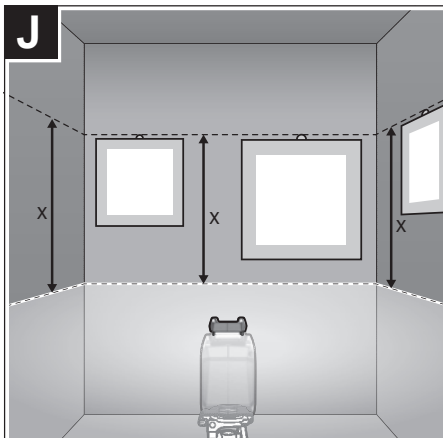
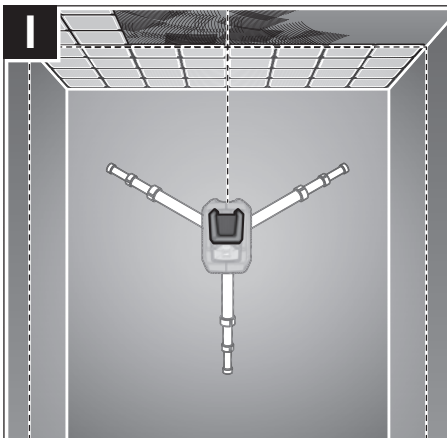
- en** Original instructions
- fr** Notice originale
- es** Manual original
- pt** Manual de instruções original
- tr** Orijinal işletme talimatı
- ru** Оригинальное руководство по эксплуатации
- uk** Оригінальна інструкція з експлуатації
- kk** Пайдалану нұсқаулығының түпнұсқасы
- mk** Оригинално упатство за работа
- sr** Originalno uputstvo za rad
- ar** دليل التشغيل الأصلي
- fa** دفترچه راهنمای اصلی



English	Page	6
Français	Page	11
Español	Página	16
Português do Brasil	Página	22
Türkçe	Sayfa	27
Русский	Страница	33
Українська	Сторінка	39
Қазақ	Бет	45
Македонски	Страница	51
Srpski	Strana	56
عربي	الصفحة	62
فارسی	صفحه	68







English

Safety Instructions



All instructions must be read and observed in order for the measuring tool to function safely. The safeguards integrated into the measuring tool may be compromised if the measuring tool is not used in accordance with these instructions. Never make warning signs on the measuring tool unrecognisable. **SAVE THESE INSTRUCTIONS FOR FUTURE REFERENCE AND INCLUDE THEM WITH THE MEASURING TOOL WHEN TRANSFERRING IT TO A THIRD PARTY.**

- ▶ **Warning! If operating or adjustment devices other than those specified here are used or other procedures are carried out, this can lead to dangerous exposure to radiation.**
- ▶ **The measuring tool is delivered with a laser warning sign (marked in the illustration of the measuring tool on the graphics page).**
- ▶ **If the text of the laser warning label is not in your national language, stick the provided warning label in your national language over it before operating for the first time.**



Do not direct the laser beam at persons or animals and do not stare into the direct or reflected laser beam yourself. You could blind somebody, cause accidents or damage your eyes.

- ▶ **If laser radiation hits your eye, you must close your eyes and immediately turn your head away from the beam.**
- ▶ **Do not make any modifications to the laser equipment.**
- ▶ **Do not use the laser goggles (accessory) as protective goggles.** The laser goggles make the laser beam easier to see; they do not protect you against laser radiation.
- ▶ **Do not use the laser goggles (accessory) as sunglasses or while driving.** The laser goggles do not provide full UV protection and impair your ability to see colours.
- ▶ **Have the measuring tool serviced only by a qualified specialist using only original replacement parts.** This will ensure that the safety of the measuring tool is maintained.
- ▶ **Do not let children use the laser measuring tool unsupervised.** They could unintentionally blind themselves or other persons.
- ▶ **Do not use the measuring tool in explosive atmospheres which contain flammable liquids, gases or dust.** Sparks may be produced inside the measuring tool, which can ignite dust or fumes.



Keep the magnetic accessories away from implants and other medical devices, e.g. pacemakers or insulin pumps. The magnets in the accessories generate a field that can impair the function of implants and medical devices.

- ▶ **Keep the magnetic accessories away from magnetic data storage media and magnetically-sensitive devices.** The effect of the magnets in the accessories can lead to irreversible data loss.

Product Description and Specifications

Please observe the illustrations at the beginning of this operating manual.

Intended Use

The measuring tool is intended for determining and checking horizontal and vertical lines.

The measuring tool is suitable for indoor and outdoor use.

Product Features

The numbering of the product features shown refers to the illustration of the measuring tool on the graphic page.

- (1) Laser beam outlet aperture
 - (2) On/off switch
 - (3) Battery indicator
 - (4) Button for laser operating mode **Mode**
 - (5) Laser warning label
 - (6) Serial number
 - (7) 1/4" tripod mount
 - (8) Battery compartment cover locking mechanism
 - (9) Battery compartment cover
 - (10) Holder (LB 10)^{a)}
 - (11) Magnet^{a)}
 - (12) Holder 1/4" screw^{a)}
 - (13) Holder screw hole^{a)}
 - (14) Ceiling clip (DK 10)^{a)}
 - (15) Universal holder (BM 1)^{a)}
 - (16) Laser target plate^{a)}
 - (17) Tripod (BT 150)^{a)}
 - (18) Telescopic shaft (BT 350)^{a)}
 - (19) Laser goggles^{a)}
 - (20) Protective bag^{a)}
- a) **Accessories shown or described are not included with the product as standard. You can find the complete selection of accessories in our accessories range.**

Technical Data

Line laser	GLL 2-20 G
Article number	3 601 K65 ...
Work area (radius) ^{A)}	10 m
Levelling accuracy ^{B)(C)(D)}	±0.4 mm/m
Self-levelling range	±4°
Levelling time	< 4 s
Operating temperature	-5 °C to +40 °C
Storage temperature	-20 °C to +70 °C
Max. altitude	2000 m
Relative air humidity max.	90 %
Pollution degree according to IEC 61010-1	2 ^{E)}
Laser class	2
Laser type	< 10 mW, 500–540 nm
C ₆	10
Divergence	30 × 20 mrad (full angle)
Tripod mount	1/4"
Batteries	4 × 1.5 V LRG (AA)
Operating time (for cross-line operation) ^{B)}	5 h
Weight according to EPTA-Procedure 01:2014	0.62 kg
Dimensions (length × width × height)	111 × 72 × 119 mm
Protection rating	IP 64

A) The working range may be reduced by unfavourable environmental conditions (e.g. direct sunlight).

B) At 20–25 °C

C) The values stated presuppose normal to favourable environmental conditions (e.g. no vibration, no fog, no smoke, no direct sunlight). Extreme fluctuations in temperature can cause deviations in accuracy.

D) Applies for the intersection point and the corresponding angles 90°/180°/270°

E) Only non-conductive deposits occur, whereby occasional temporary conductivity caused by condensation is expected.

The serial number **(6)** on the type plate is used to clearly identify your measuring tool.

Assembly

Inserting/Changing the batteries

It is recommended that you use alkaline manganese batteries to operate the measuring tool.

Press the locking mechanism **(8)** upwards to open the battery compartment cover **(9)** and remove the battery compartment cover. Insert the batteries.

When inserting the batteries, ensure that the polarity is correct according to the illustration on the inside of the battery compartment.

The battery indicator **(3)** always indicates the current status of the battery.

If the batteries are almost empty, the battery indicator **(3)** will flash continuously. The laser lines will flash for 5 seconds every 5 minutes.

If the batteries are empty, the laser lines and the battery indicator will flash once before the measuring tool switches off.

Always replace all the batteries at the same time. Only use batteries from the same manufacturer and which have the same capacity.

► **Take the batteries out of the measuring tool when you are not using it for a prolonged period of time.** The batteries can corrode and self-discharge during prolonged storage in the measuring tool.

Operation

Starting Operation

► **Protect the measuring tool from moisture and direct sunlight.**

► **Do not expose the measuring tool to any extreme temperatures or fluctuations in temperature.** For example, do not leave it in a car for extended periods of time. If it has been subjected to significant fluctuations in temperature, first allow the measuring tool to adjust to the ambient temperature and then always carry out an accuracy check before continuing work (see "Accuracy Check of the Measuring Tool", page 8).

The precision of the measuring tool may be compromised if exposed to extreme temperatures or fluctuations in temperature.

► **Avoid substantial knocks to the measuring tool and avoid dropping it.** Always carry out an accuracy check before continuing work if the measuring tool has been subjected to severe external influences (see "Accuracy Check of the Measuring Tool", page 8).

► **Switch the measuring tool off when transporting it.** The pendulum unit is locked when the tool is switched off, as it can otherwise be damaged by big movements.

Switching On/Off

To **switch on** the measuring tool, slide the on/off switch **(2)** to the **ON** position. As soon as it is switched on, the measuring tool emits laser beams from the outlet apertures **(1)**.

► **Do not direct the laser beam at persons or animals and do not stare into the laser beam yourself (even from a distance).**

To **switch off** the measuring tool, slide the on/off switch **(2)** to the **OFF** position. The pendulum unit is locked when the tool is switched off.

► **Never leave the measuring tool unattended when switched on, and ensure the measuring tool is switched off after use.** Others may be blinded by the laser beam.

Automatic shut-off

If no button on the measuring tool is pressed for approx. **120 min**, the measuring tool will automatically switch itself off to preserve battery life.

To switch the measuring tool back on after it has been automatically switched off, you can either slide the on/off switch **(2)** to the "OFF" position first and then switch the measuring tool back on, or press the laser operating mode button **(4)**.

To deactivate the automatic shut-off function, hold down the laser mode button **(4)** for at least 3 s (with the measuring tool switched on). If the automatic shut-off function is deactivated, the laser beams will flash briefly as confirmation.

To activate the automatic shut-off function, switch the measuring tool off and on again.

Operating Modes

The measuring tool has several operating modes, which you can switch between at any time:

- Cross-line mode (see figure **A**): Generates a horizontal laser plane and a vertical laser line pointing forwards,
- Horizontal mode (see figure **B**): Generates a horizontal laser plane,
- Vertical mode (see figure **C**): Generates a vertical laser line pointing forwards.

To change the operating mode, press the button for laser operating mode **(4)** as often as required until the laser beams are generated in the required operating mode.

All operating modes can be used with both automatic levelling and the incline function.

Automatic Levelling

The measuring tool monitors the position at all times during operation. It works with automatic levelling during set-up within the self-levelling range of $\pm 4^\circ$. Outside of the self-levelling range, it will automatically switch to the incline function.

Working with automatic levelling (see figures A–C)

Position the measuring tool on a level, firm surface or attach it to the holder **(10)** or the tripod **(17)**.

The automatic levelling function automatically compensates irregularities within the self-levelling range of $\pm 4^\circ$. Once the laser beam is permanently lit, the measuring tool has levelled in.

If automatic levelling is not possible, e.g. because the surface on which the measuring tool stands deviates by more than 4° from the horizontal plane, the laser lines will quickly flash for 2 seconds at first. Afterwards, the laser lines will light up for 5 seconds and then quickly flash every 5 seconds several times. The measuring tool is in the incline function.

For additional work with automatic levelling, set up the measuring tool so that it is horizontal and wait for the self-levelling procedure to complete. As soon as the measuring tool is within the self-levelling range of $\pm 4^\circ$, the laser beams will light up continuously.

In case of ground vibrations or position changes during operation, the measuring tool is automatically levelled again. Upon levelling, check the position of the laser beams with regard to the reference points to avoid errors arising from a change in the measuring tool's position.

Working with the Incline Function (see figure K)

Place the measuring tool on an inclined surface. When working with the incline function, the laser lines will quickly flash for 2 seconds at first. Afterwards, the laser lines will light up for 5 seconds and then quickly flash every 5 seconds several times.

In the incline function, the laser lines are no longer levelled and no longer necessarily run perpendicular to one another.

Accuracy Check of the Measuring Tool

Influences on Accuracy

The largest influence is exerted by the ambient temperature. In particular, temperature differences that occur from the ground upwards can refract the laser beam.

Since the temperature stratification is greatest at ground level, you should mount the measuring tool on a tripod and position it in the centre of the work surface, wherever this is possible.

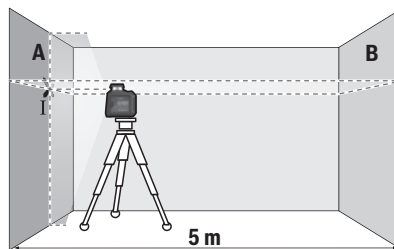
In addition to external influences, device-specific influences (e.g. falls or heavy impacts) can also lead to deviations. For this reason, check the levelling accuracy each time before beginning work.

Should the measuring tool exceed the maximum deviation during one of the tests, please have it repaired by a **Bosch** after-sales service.

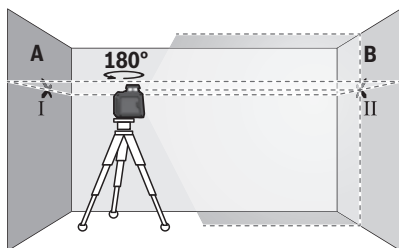
Checking the Height Accuracy of the Horizontal Line

For this check, you will need a free measuring distance of **5 m** on firm ground between two walls (designated A and B).

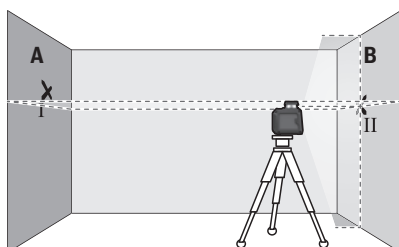
- Mount the measuring tool close to wall A on a tripod, or place it on a firm, level surface. Switch on the measuring tool and select cross-line operation.



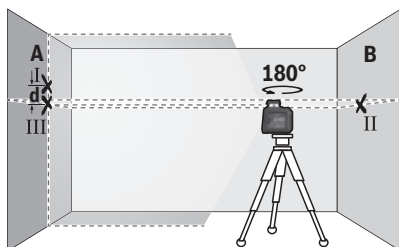
- Aim the laser at the closer wall A and allow the measuring tool to level in. Mark the middle of the point at which the laser lines cross on the wall (point I).



- Turn the measuring tool 180°, allow it to level in and mark the point where the laser lines cross on the opposite wall B (point II).
- Position the measuring tool – without rotating it – close to wall B, switch it on and allow it to level in.



- Align the height of the measuring tool (using the tripod or by placing objects underneath as required) so that the point where the laser lines cross exactly hits the previously marked point II on wall B.



- Turn the measuring tool 180° without adjusting the height. Aim it at wall A such that the vertical laser line runs through the already marked point I. Allow the measuring tool to level in and mark the point where the laser lines cross on wall A (point III).
- The discrepancy d between the two marked points I and III on wall A reveals the actual height deviation of the measuring tool.

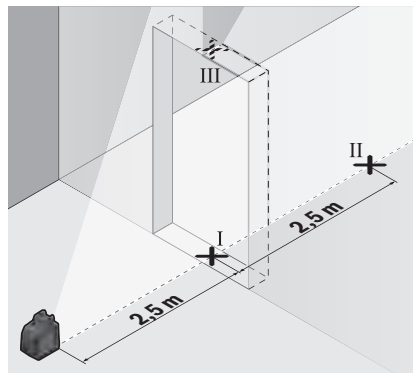
The maximum permitted deviation on the measuring distance of $2 \times 5 \text{ m} = 10 \text{ m}$ is as follows:

$10 \text{ m} \times \pm 0.4 \text{ mm/m} = \pm 4 \text{ mm}$. The discrepancy d between points I and III must therefore amount to no more than 4 mm.

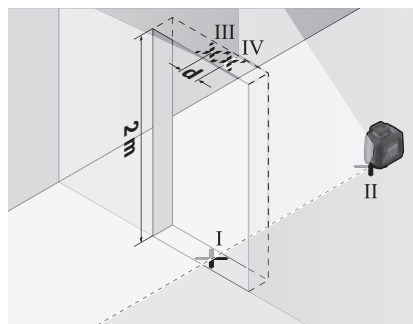
Checking the Level Accuracy of the Vertical Line

For this check, you will need a door opening (on solid ground) which has at least 2.5 m of space either side of the door.

- Place the measuring tool 2.5 m away from the door opening on a firm, flat surface (not on a tripod). Switch on the measuring tool and select vertical operation. Aim the laser line at the door opening and allow the measuring tool to level in.



- Mark the centre of the vertical laser line on the floor of the door opening (point I), 5 m away on the other side of the door opening (point II) and on the upper edge of the door opening (point III).



- Rotate the measuring tool 180° and position it on the other side of the door opening, directly behind point II. Allow the measuring tool to level in and align the vertical laser line in such a way that its centre passes through points I and II exactly.
 - Mark the centre of the laser line on the upper edge of the door opening as point IV.
 - The discrepancy d between the two marked points III and IV reveals the actual vertical deviation of the measuring tool.
 - Measure the height of the door opening.
- You can calculate the maximum permitted deviation as follows:

Doubled height of the door opening $\times 0.4$ mm/m
 Example: At a door opening height of 2 m, the maximum deviation amounts to
 $2 \times 2 \text{ m} \times \pm 0.4 \text{ mm/m} = \pm 1.6 \text{ mm}$. The points III and IV must therefore be no further than 1.6 mm from each other.

Working Advice

- ▶ **Only the centre of the laser line must be used for marking.** The width of the laser line changes depending on the distance.

Working with the holder LB 10 (accessory) (see figures D–G)

You can secure the measuring tool on vertical surfaces or magnetisable materials using the holder (10). In conjunction with the ceiling clip (14), the measuring tool can also be aligned vertically.

Place the measuring tool with the 1/4" tripod mount (7) on the 1/4" screw (12) of the holder and screw it tight.

Attachment options for the holder (10):

- Using a commercially available fastening screw, it can be attached via the screw hole (13) to wood (see figure E)
- Using the magnets (11), it can be attached to magnetisable materials (see figure F)
- Using the ceiling clip (14), it can be attached to crown mouldings (see figure G).

- ▶ **Keep your fingers away from the rear side of the magnetic accessory while attaching the accessory to surfaces.** The strong pulling force of the magnets may jam your fingers.

Roughly align the holder (10) before switching on the measuring tool.

Working with the Laser Target Plate (accessory)

The laser target plate (16) improves visibility of the laser beam in unfavourable conditions and at greater distances.

The reflective surface of the laser target plate (16) improves visibility of the laser line. The transparent surface enables the laser line to be seen from behind the laser target plate.

Working with the Tripod (Accessory)

A tripod offers a stable, height-adjustable support surface for measuring. Place the measuring tool with the 1/4" tripod mount (7) on the thread of the tripod (17) or a conventional camera tripod. Tighten the measuring tool using the locking screw of the tripod.

Roughly align the tripod before switching on the measuring tool.

Securing with the universal holder (accessory)

You can secure the measuring tool, for example, on vertical surfaces or magnetisable materials using the universal holder (15). The universal holder is also suitable for use as a floor stand and facilitates the height adjustment of the measuring tool.

Roughly align the universal holder (15) before switching on the measuring tool.

Laser Goggles (Accessory)

The laser goggles filter out ambient light. This makes the light of the laser appear brighter to the eye.

- ▶ **Do not use the laser goggles (accessory) as protective goggles.** The laser goggles make the laser beam easier to see; they do not protect you against laser radiation.
- ▶ **Do not use the laser goggles (accessory) as sunglasses or while driving.** The laser goggles do not provide full UV protection and impair your ability to see colours.

Example applications (see figures H–K)

Examples of possible applications for the measuring tool can be found on the graphics pages.

Maintenance and Service

Maintenance and Cleaning

Keep the measuring tool clean at all times.

Never immerse the measuring tool in water or other liquids.

Wipe off any dirt using a damp, soft cloth. Do not use any detergents or solvents.

The areas around the outlet aperture of the laser in particular should be cleaned on a regular basis. Make sure to check for lint when doing this.

Only store and transport the measuring tool in the protective pouch (20).

If the measuring tool needs to be repaired, send it off in the protective pouch (20).

After-Sales Service and Application Service

Our after-sales service responds to your questions concerning maintenance and repair of your product as well as spare parts. You can find explosion drawings and information on spare parts at: www.bosch-pt.com

The Bosch product use advice team will be happy to help you with any questions about our products and their accessories.

In all correspondence and spare parts orders, please always include the 10-digit article number given on the nameplate of the product.

Great Britain

Robert Bosch Ltd. (B.S.C.)

P.O. Box 98

Broadwater Park

North Orbital Road

Denham Uxbridge

UB 9 5HJ

At www.bosch-pt.co.uk you can order spare parts or arrange the collection of a product in need of servicing or repair.

Tel. Service: (0344) 7360109

E-Mail: boschservicecentre@bosch.com

You can find further service addresses at:

www.bosch-pt.com/serviceaddresses

Disposal

Measuring tools, accessories and packaging should be recycled in an environmentally friendly manner.



Do not dispose of measuring tools or batteries with household waste.

Only for EU countries:

According to the Directive 2012/19/EU, measuring tools that are no longer usable, and according to the Directive 2006/66/EC, defective or used battery packs/batteries, must be collected separately and disposed of in an environmentally correct manner.

Français

Consignes de sécurité



Pour une utilisation sans danger et en toute sécurité de l'appareil de mesure, lisez attentivement toutes les instructions et tenez-en compte. En cas de non-respect des présentes instructions, les fonctions de protection de l'appareil de mesure risquent d'être altérées. Faites en sorte que les étiquettes d'avertissement se trouvant sur l'appareil de mesure restent toujours lisibles. **CONSERVEZ CES INSTRUCTIONS DANS UN LIEU SÛR ET REMETTEZ-LES À TOUT NOUVEL UTILISATEUR DE L'APPAREIL DE MESURE.**

En cas de non-respect des présentes instructions, les fonctions de protection de l'appareil de mesure risquent d'être altérées. Faites en sorte que les étiquettes d'avertissement se trouvant sur l'appareil de mesure restent toujours lisibles. **CONSERVEZ CES INSTRUCTIONS DANS UN LIEU SÛR ET REMETTEZ-LES À TOUT NOUVEL UTILISATEUR DE L'APPAREIL DE MESURE.**

- ▶ **Attention** – L'utilisation d'autres dispositifs de commande ou d'ajustage que ceux indiqués ici ou l'exécution d'autres procédures risque de provoquer une exposition dangereuse aux rayonnements.
- ▶ L'appareil de mesure est fourni avec une étiquette d'avertissement laser (repérée dans la représentation de l'appareil de mesure sur la page des graphiques).
- ▶ Si le texte de l'étiquette d'avertissement laser n'est pas dans votre langue, recouvrez l'étiquette par l'autocollant dans votre langue qui est fourni, avant de procéder à la première mise en service.



Ne dirigez jamais le faisceau laser vers des personnes ou des animaux et ne regardez jamais dans le faisceau laser projeté par l'appareil ou réfléchi. Vous risqueriez d'éblouir des personnes, de provoquer des accidents ou de causer des lésions oculaires.

- ▶ **Au cas où le faisceau laser frappe un œil, fermez immédiatement les yeux et déplacez la tête pour l'éloigner du faisceau. N'apportez jamais de modifications au dispositif laser.**
- ▶ **N'apportez aucune modification au dispositif laser.**
- ▶ **N'utilisez pas les lunettes de vision laser (accessoire non fourni) comme des lunettes de protection.** Les lu-

nettes de vision laser aident seulement à mieux voir le faisceau laser ; elles ne protègent pas contre les effets des rayonnements laser.

- ▶ **N'utilisez pas les lunettes de vision laser (accessoire non fourni) comme des lunettes de soleil ou pour la circulation routière.** Les lunettes de vision laser n'offrent pas de protection UV complète et elles faussent la perception des couleurs.
- ▶ **Ne confiez la réparation de l'appareil de mesure qu'à un réparateur qualifié utilisant uniquement des pièces de rechange d'origine.** La sécurité de l'appareil de mesure sera ainsi préservée.
- ▶ **Ne laissez pas les enfants utiliser l'appareil de mesure laser sans surveillance.** Ils risqueraient de diriger le faisceau vers leurs propres yeux ou d'éblouir d'autres personnes par inadvertance.
- ▶ **Ne faites pas fonctionner l'appareil de mesure en atmosphère explosive, en présence de liquides, gaz ou poussières inflammables.** L'appareil de mesure peut produire des étincelles susceptibles d'enflammer les poussières ou les vapeurs.



N'approchez pas les accessoires magnétiques de personnes porteuses d'implants chirurgicaux ou d'autres dispositifs médicaux (stimulateurs cardiaques, pompe à insuline, etc.). Les aimants des accessoires génèrent un champ magnétique susceptible d'altérer le fonctionnement des implants chirurgicaux et dispositifs médicaux.

- ▶ **N'approchez pas les accessoires magnétiques de supports de données magnétiques ou d'appareils sensibles aux champs magnétiques.** Les aimants des accessoires peuvent provoquer des pertes de données irréversibles.

Description des prestations et du produit

Référez-vous aux illustrations qui se trouvent au début de la notice d'utilisation.

Utilisation conforme

L'appareil de mesure est conçu pour projeter et vérifier des lignes horizontales et verticales.

L'appareil de mesure est conçu pour une utilisation en intérieur et en extérieur.

Éléments constitutifs

La numérotation des éléments de l'appareil se réfère à la représentation de l'appareil de mesure sur la page graphique.

- (1) Orifice de sortie du faisceau laser
- (2) Interrupteur Marche/Arrêt
- (3) Témoin des piles
- (4) Touche Mode de fonctionnement laser **Mode**
- (5) Étiquette d'avertissement laser

- (6) Numéro de série
- (7) Raccord de trépied 1/4"
- (8) Verrouillage du couvercle du compartiment à piles
- (9) Couvercle du compartiment à piles
- (10) Support de fixation (LB 10)^{a)}
- (11) Aimant^{a)}
- (12) Vis 1/4" du support de fixation^{a)}
- (13) Trou oblong du support de fixation^{a)}
- (14) Pince de plafond (DK 10)^{a)}
- (15) Support universel (BM 1)^{a)}
- (16) Cible laser^{a)}
- (17) Trépied (BT 150)^{a)}
- (18) Tige télescopique (BT 350)^{a)}
- (19) Lunettes de vision laser^{a)}
- (20) Housse de protection^{a)}

a) Les accessoires décrits ou illustrés ne sont pas tous compris dans la fourniture. Vous trouverez les accessoires complets dans notre gamme d'accessoires.

Caractéristiques techniques

Laser lignes	GLL 2-20 G
Référence	3 601 K65 ...
Portée (rayon) ^{A)}	10 m
Précision de nivellement ^{B)C)D)}	±0,4 mm/m
Plage d'auto-nivellement	±4°
Durée de nivellement	< 4 s
Températures de fonctionnement	-5 °C ... +40 °C
Températures de stockage	-20 °C ... +70 °C
Altitude d'utilisation maxi	2000 m
Humidité d'air relative maxi	90 %
Degré d'encrassement selon CEI 61010-1	2 ^{E)}
Classe laser	2
Type de laser	< 10 mW, 500-540 nm
C ₆	10
Divergence	30 × 20 mrad (angle plein)
Raccord de trépied	1/4"
Piles	4 × 1,5 V LR6 (AA)
Autonomie (en mode croix) ^{B)}	5 h
Poids suivant EPTA-Procédure 01:2014	0,62 kg
Dimensions (longueur × largeur × hauteur)	111 × 72 × 119 mm

Laser lignes GLL 2-20 G

Indice de protection IP 64

- A) La portée peut être réduite par des conditions défavorables (par ex. exposition directe au soleil).
- B) à **20-25 °C**
- C) Les valeurs indiquées s'appliquent dans des conditions ambiantes normales à favorables (par ex. pas de vibrations, pas de brouillard, pas de fumée, pas d'ensoleillement direct). Après de fortes variations de températures, la précision peut différer de la valeur indiquée.
- D) Valable pour le point d'intersection et les angles de 90°/180°/270°
- E) N'est conçu que pour les salissures/saletés non conductrices mais supporte occasionnellement la conductivité due aux phénomènes de condensation.

Pour une identification précise de votre appareil de réception, servez-vous du numéro de série (6) inscrit sur la plaque signalétique.

Montage

Mise en place/remplacement des piles

Il est recommandé d'utiliser des piles alcalines au manganèse.

Pour ouvrir le couvercle du compartiment à piles (9), appuyez sur le verrouillage (8) et retirez le couvercle du compartiment à piles. Insérez les piles.

Respectez ce faisant la polarité indiquée sur le graphique qui se trouve à l'intérieur du compartiment à piles.

Le témoin des piles (3) indique toujours le niveau de charge actuel des piles.

Quand les piles sont presque vides, le témoin de piles (3) se met à clignoter en permanence. Les lignes laser clignotent pendant 5 s toutes les 5 min.

Quand les piles sont vides, les lignes laser et le témoin des piles clignotent une dernière fois avant que l'appareil de mesure s'éteigne.

Remplacez toujours toutes les piles en même temps. N'utilisez que des piles de la même marque et de même capacité.

► **Sortez les piles de l'appareil de mesure si vous savez qu'il ne sera pas utilisé pendant une période prolongée.** Les piles risquent de se corroder et de se décharger quand l'appareil de mesure n'est pas utilisé pendant une longue durée.

Utilisation

Mise en marche

- **Protégez l'appareil de mesure contre l'humidité, ne l'exposez pas directement aux rayons du soleil.**
- **N'exposez pas l'appareil de mesure à des températures extrêmes ou de brusques variations de température.** Ne le laissez pas trop longtemps dans une voiture exposée au soleil, par exemple. Lorsque l'appareil de mesure a été soumis à de fortes variations de température, attendez qu'il revienne à la température ambiante et contrôlez toujours sa précision avant de continuer à travailler (voir « Contrôle de précision de l'appareil de me-

sure », Page 14).

Des températures extrêmes ou de brusques changements de température peuvent réduire la précision de l'appareil de mesure.

- ▶ **Évitez les chocs violents et évitez de faire tomber l'appareil de mesure.** Lorsque l'appareil de mesure a été soumis à de fortes sollicitations extérieures, effectuez toujours un contrôle de précision avant de continuer à travailler (voir « Contrôle de précision de l'appareil de mesure », Page 14).
- ▶ **Éteignez l'appareil de mesure quand vous le transportez.** À l'arrêt de l'appareil, l'unité pendulaire se verrouille afin de prévenir tout endommagement consécutif à des mouvements violents.

Mise en marche/arrêt

Pour **mettre en marche** l'appareil de mesure, placez l'interrupteur Marche/Arrêt (2) dans la position « ON ». Immédiatement après sa mise en marche, l'appareil de mesure projette des faisceaux laser à travers les orifices de sortie (1).

- ▶ **Ne dirigez pas le faisceau laser vers des personnes ou des animaux et ne regardez jamais dans le faisceau laser, même si vous êtes à grande distance de ce dernier.**

Pour **arrêter** l'appareil de mesure, placez l'interrupteur Marche/Arrêt (2) dans la position « OFF ». Lorsque l'appareil est éteint, l'unité pendulaire se verrouille.

- ▶ **Ne laissez pas l'appareil de mesure sans surveillance quand il est allumé et éteignez-le après l'utilisation.** D'autres personnes pourraient être éblouies par le faisceau laser.

Fonction d'arrêt automatique

Si vous n'actionnez aucune touche pendant env. 120 min, l'appareil de mesure s'arrête automatiquement afin d'économiser les piles.

Pour remettre en marche l'appareil de mesure après un arrêt automatique, vous pouvez soit pousser l'interrupteur Marche/Arrêt (2) en position « OFF » puis remettre en marche l'appareil de mesure, soit appuyer sur la touche Mode de fonctionnement (4).

Pour désactiver la fonction d'arrêt automatique (quand l'appareil de mesure est en marche), maintenez la touche Mode de fonctionnement laser (4) enfoncée pendant au moins 3 s. La désactivation de la fonction d'arrêt automatique est confirmée par le clignotement bref des lignes laser.

Pour activer la fonction d'arrêt automatique, éteignez l'appareil de mesure et remettez-le en marche.

Modes de fonctionnement

L'appareil de mesure dispose de plusieurs modes de fonctionnement entre lesquels il est possible de commuter à tout moment :

- Mode croix (voir figure A) : l'appareil projette une ligne laser horizontale et une ligne laser verticale,
- Mode horizontal (voir figure B) : l'appareil projette un plan laser horizontal,

- Mode vertical (voir figure C) : projette une ligne laser verticale vers l'avant.

Pour changer de mode de fonctionnement, appuyez sur la touche Mode de fonctionnement laser (4) jusqu'à obtenir les lignes laser du mode de fonctionnement souhaité.

Il est possible – dans tous les modes de fonctionnement – d'activer ou non le nivellement automatique et la fonction d'inclinaison.

Nivellement automatique

L'appareil de mesure surveille à tout moment sa position pendant son utilisation. À l'intérieur de la plage d'auto-nivellement de $\pm 4^\circ$, il fonctionne avec nivellement automatique. En dehors de la plage d'auto-nivellement, il commute automatiquement en mode inclinaison.

Utilisation avec nivellement automatique (voir figures A–C)

Placez l'appareil de mesure sur une surface horizontale stable, fixez-le sur le support de fixation (10) ou sur le trépied (17).

En mode nivellement automatique, l'appareil de mesure corrige automatiquement son inclinaison à condition qu'il se trouve à l'intérieur de la plage d'auto-nivellement de $\pm 4^\circ$. Dès que les lignes laser cessent de clignoter, l'appareil de mesure est à niveau.

Quand un nivellement automatique n'est pas possible, par ex. du fait que la surface sur laquelle est posé l'appareil de mesure est inclinée de plus de 4° par rapport à l'horizontale, les lignes laser se mettent à clignoter pendant 2 s à une fréquence rapide. Les lignes laser s'allument ensuite pendant 5 s puis clignotent plusieurs fois à fréquence rapide toutes les 5 s. L'appareil de mesure se trouve alors dans le mode inclinaison.

Pour repasser en mode nivellement automatique, placez l'appareil de mesure à l'horizontale et attendez que le nivellement automatique se fasse. Dès que l'appareil de mesure se trouve à l'intérieur de la plage d'auto-nivellement de $\pm 4^\circ$, les lignes laser cessent de clignoter et restent allumées en permanence.

S'il subit des secousses ou change de position pendant son utilisation, l'appareil de mesure se remet à niveau automatiquement. Après le nivellement, vérifiez la position des faisceaux laser par rapport aux points de référence afin d'éviter les erreurs dues à un déplacement de l'appareil de mesure.

Utilisation en mode inclinaison (voir figure K)

Posez l'appareil de mesure sur une surface inclinée. En mode inclinaison, les lignes laser se mettent d'abord à clignoter pendant 2 s à fréquence rapide. Les lignes laser s'allument ensuite pendant 5 s puis clignotent plusieurs fois à fréquence rapide toutes les 5 s.

Dans le mode inclinaison, les lignes laser ne sont plus mises à niveau et elles ne sont pas forcément perpendiculaires entre elles.

Contrôle de précision de l'appareil de mesure

Facteurs influant sur la précision

C'est la température ambiante qui exerce la plus grande influence. Ce sont notamment les écarts de température entre le sol et la hauteur de travail qui peuvent faire dévier le faisceau laser.

Comme c'est au niveau du sol que les écarts de température sont les plus importants, il convient, dans la mesure du possible, de monter l'appareil de mesure sur un trépied et de placer ce dernier au centre de la surface de travail.

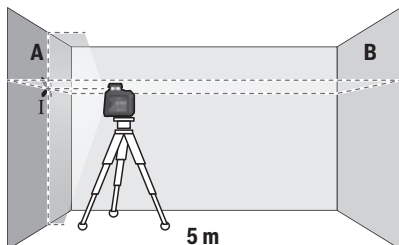
Étant donné que les résultats de mesure peuvent être altérés à la fois par des facteurs extérieurs (températures extrêmes, fortes variations de température, etc.) et par des facteurs mécaniques (par ex. chutes ou chocs violents), il est important de vérifier la précision de nivellement avant chaque travail.

Si l'appareil de mesure dépasse l'écart de précision admissible lors de l'un des contrôles, faites-le réparer dans un centre de service après-vente **Bosch**.

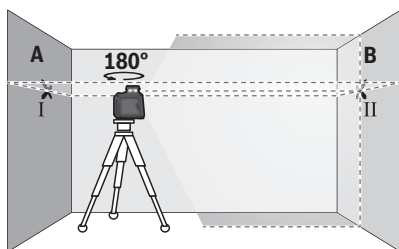
Contrôle de la précision de hauteur de la ligne horizontale

Pour ce contrôle, il est nécessaire de pouvoir effectuer une mesure sur une distance de **5 m** entre deux murs A et B.

- Montez l'appareil de mesure sur un trépied près du mur A ou placez-le sur une surface stable et plane. Mettez l'appareil de mesure en marche et sélectionnez le mode lignes croisées.

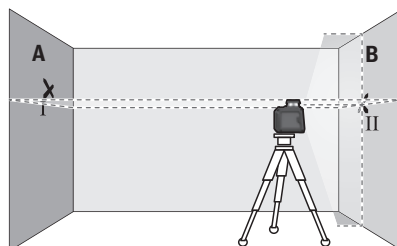


- Dirigez le laser vers le mur le plus proche A et attendez que l'appareil de mesure se mette à niveau. Marquez sur le mur le point de croisement des lignes laser (point I).

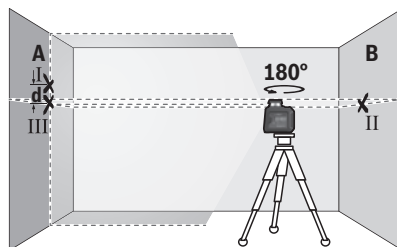


- Tournez l'appareil de mesure de 180°, attendez que l'appareil de mesure se mette à niveau et marquez le point de croisement des lignes laser sur le mur B d'en face (point II).

- Placez l'appareil de mesure – sans le tourner – près du mur B, mettez-le en marche et attendez qu'il se mette à niveau.



- Ajustez la hauteur de l'appareil de mesure (à l'aide du trépied ou, le cas échéant, avec des cales) de sorte que le point de croisement des lignes laser coïncide sur le mur B avec le point II marqué précédemment.



- Tournez l'appareil de mesure de 180° sans modifier la hauteur. Orientez-le vers le mur A de sorte que la ligne laser verticale passe par le point I marqué précédemment. Attendez que l'appareil de mesure se mette à niveau et marquez le point de croisement des lignes laser sur le mur A (point III).
- L'écart **d** entre les deux points I et III sur le mur A indique l'écart de hauteur réel de l'appareil de mesure.

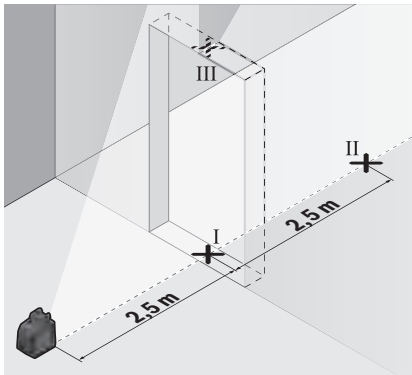
Pour une distance de mesure de $2 \times 5 \text{ m} = 10 \text{ m}$, l'écart maximal admissible est de :

$10 \text{ m} \times \pm 0,4 \text{ mm/m} = \pm 4 \text{ mm}$. L'écart **d** entre les points I et III ne doit par conséquent pas excéder **4 mm**.

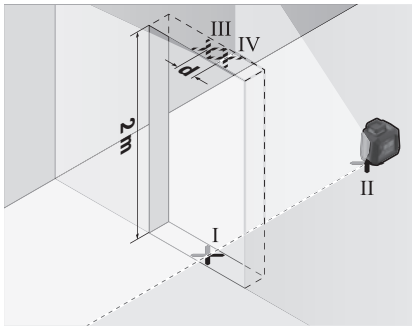
Contrôle de la précision de nivellement de la ligne verticale

Pour ce contrôle, vous avez besoin d'une embrasure de porte avec au moins 2,5 m de chaque côté de la porte (sur un sol stable).

- Posez l'appareil de mesure sur une surface stable et plane (pas sur un trépied) à 2,5 m de distance de l'embrasure de porte. Mettez l'appareil de mesure en marche et sélectionnez le mode vertical. Orientez la ligne laser vers l'embrasure de porte et laissez l'appareil de mesure se mettre à niveau.



- Marquez le milieu de la ligne laser verticale au bas (au niveau du sol) de l'embrasure de porte (point I), à 5 m de distance du côté opposé de l'embrasure de porte (point II) ainsi qu'au bord supérieur de l'embrasure de porte (point III).



- Tournez l'appareil de mesure de 180° et placez-le de l'autre côté de l'embrasure de porte, directement derrière le point II. Attendez que l'appareil de mesure se mette à niveau et ajustez la position de la ligne laser verticale de sorte que son milieu passe exactement par les points I et II.
- Marquez le milieu de la ligne laser au bord supérieur de l'embrasure de porte (point IV).
- L'écart d entre les deux points III et IV indique l'écart réel de l'appareil de mesure par rapport à la verticale.
- Mesurez la hauteur de l'embrasure de porte.

L'écart maximal admissible se calcule comme suit :
 $2 \text{ fois la hauteur de l'embrasure de porte} \times 0,4 \text{ mm/m}$
 Exemple : Si la hauteur de l'embrasure de porte est de 2 m,
 l'écart maximal ne doit pas excéder
 $2 \times 2 \text{ m} \times \pm 0,4 \text{ mm/m} = \pm 1,6 \text{ mm}$. Les points III et IV ne
 doivent par conséquent pas être éloignés de plus de 1,6 mm
 l'un de l'autre.

Instructions d'utilisation

- **Pour marquer la position d'une ligne laser, marquez toujours le milieu de la ligne.** La largeur des lignes laser varie en effet selon la distance.

Utilisation du support LB 10 (accessoire) (voir figures D-G)

Le support (10) permet de fixer l'appareil de mesure sur des surfaces verticales ou des matériaux magnétiques. En combinaison avec la pince de plafond (14), l'appareil de mesure peut aussi être réglé en hauteur.

Placez l'orifice de trépied 1/4" (7) de l'appareil de mesure en face de la vis 1/4" (12) du support et vissez fermement l'appareil de mesure.

Possibilités de fixation du support (10) :

- Sur du bois avec une vis de fixation usuelle à travers le trou (13) (voir figure E),
- Sur une surface magnétisable avec les aimants (11) (voir figure F),
- Sur une corniche avec la pince de plafond (14) (voir figure G).

- **Lors de la fixation de l'accessoire sur des surfaces métalliques, veillez à ne pas placer vos doigts entre la surface et le dos de l'accessoire magnétique.** Vos doigts risqueraient d'être pincés du fait de la force d'attraction élevée des aimants.

Ajustez grossièrement la position du support (10) avant de mettre en marche l'appareil de mesure.

Travail avec la cible laser (accessoire)

La cible laser (16) améliore la visibilité du faisceau laser dans des conditions défavorables et sur les grandes distances.

La surface réfléchissante de la cible laser (16) améliore la visibilité de la ligne laser, la surface transparente rend la ligne laser visible même lorsque l'utilisateur se trouve derrière la cible laser.

Travail avec le trépied (accessoire)

Un trépied constitue un support de mesure stable et réglable en hauteur. Fixez l'appareil de mesure avec son raccord de trépied 1/4" (7) sur le trépied (17) ou un trépied d'appareil photo du commerce. Vissez l'appareil de mesure avec la vis de serrage du trépied.

Mettez le trépied plus ou moins à niveau avant de mettre en marche l'appareil de mesure.

Fixation sur le support universel (accessoire)

Le support universel (15) permet de fixer l'appareil de mesure p. ex. sur des surfaces verticales ou des matériaux magnétisables. Le support universel peut également servir de trépied de sol. Il facilite l'alignement en hauteur de l'appareil de mesure.

Mettez le support universel (15) plus ou moins à niveau avant de mettre en marche l'appareil de mesure.

Lunettes de vision du faisceau laser (accessoire)

Les lunettes de vision du faisceau laser filtrent la lumière ambiante. L'œil perçoit ainsi la lumière du laser comme étant plus claire.

- ▶ **N'utilisez pas les lunettes de vision laser (accessoire non fourni) comme des lunettes de protection.** Les lunettes de vision laser aident seulement à mieux voir le faisceau laser ; elles ne protègent pas contre les effets des rayonnements laser.
- ▶ **N'utilisez pas les lunettes de vision laser (accessoire non fourni) comme des lunettes de soleil ou pour la circulation routière.** Les lunettes de vision laser n'offrent pas de protection UV complète et elles faussent la perception des couleurs.

Exemples d'utilisation (voir les figures H-K)

Vous trouverez des exemples d'utilisation de l'appareil de mesure sur les pages graphiques.

Entretien et Service après-vente**Nettoyage et entretien**

Maintenez l'appareil de mesure propre.

N'immergez jamais l'appareil de mesure dans de l'eau ou dans d'autres liquides.

Nettoyez l'appareil à l'aide d'un chiffon doux et humide.

N'utilisez pas de détergents ou de solvants.

Nettoyez régulièrement la zone autour de l'ouverture de sortie du faisceau laser en évitant les peluches.

Ne transportez et ne rangez l'appareil de mesure que dans sa housse de protection (20).

Au cas où l'appareil de mesure a besoin d'être réparé, renvoyez-le dans sa housse de protection (20).

Service après-vente et conseil utilisateurs

Notre Service après-vente répond à vos questions concernant la réparation et l'entretien de votre produit et les pièces de rechange. Vous trouverez des vues éclatées et des informations sur les pièces de rechange sur le site :

www.bosch-pt.com

L'équipe de conseil utilisateurs Bosch se tient à votre disposition pour répondre à vos questions concernant nos produits et leurs accessoires.

Pour toute demande de renseignement ou toute commande de pièces de rechange, précisez impérativement la référence à 10 chiffres figurant sur l'étiquette signalétique du produit.

France

Réparer un outil Bosch n'a jamais été aussi simple, et ce, en moins de 5 jours, grâce à SAV DIRECT, notre formulaire de retour en ligne que vous trouverez sur notre site internet www.bosch-pt.fr à la rubrique Services. Vous y trouverez également notre boutique de pièces détachées en ligne où vous pouvez passer directement vos commandes.

Vous êtes un utilisateur, contactez : Le Service Clientèle Bosch Outillage Electroportatif

Tel. : 09 70 82 12 26 (Numéro non surtaxé au prix d'un appel local)

E-Mail : sav.outillage-electroportatif@fr.bosch.com

Vous êtes un revendeur, contactez :

Robert Bosch (France) S.A.S.

Service Après-Vente Electroportatif

126, rue de Stalingrad

93705 DRANCY Cédex

Tel. : (01) 43119006

E-Mail : sav-bosch.outillage@fr.bosch.com

Vous trouverez d'autres adresses du service après-vente sous :

www.bosch-pt.com/serviceaddresses

Élimination des déchets

Prière de rapporter les appareils de mesure, leurs accessoires et les emballages dans un Centre de recyclage respectueux de l'environnement.



Ne jetez pas les appareils de mesure et les piles avec des ordures ménagères !

Seulement pour les pays de l'UE :

Conformément à la directive européenne 2012/19/UE, les appareils de mesure hors d'usage, et conformément à la directive européenne 2006/66/CE, les accus/piles usagés ou défectueux doivent être éliminés séparément et être recyclés en respectant l'environnement.

**Español****Indicaciones de seguridad**

Leer y observar todas las instrucciones, para trabajar sin peligro y riesgo con el aparato de medición. Si el aparato de medición no se utiliza según las presentes instrucciones, pueden menoscabarse las medidas de seguridad integrales en el aparato de medición. Jamás desvirtúe las señales de advertencia del aparato de medición. GUARDE BIEN ESTAS INSTRUCCIONES Y ADJUNTELAS EN LA ENTREGA DEL APARATO DE MEDICIÓN.

- ▶ **Precaución** – si se utilizan dispositivos de manejo o de ajuste distintos a los especificados en este documento o si se siguen otros procedimientos, esto puede conducir a una peligrosa exposición a la radiación.
- ▶ **El aparato de medición se suministra con un rótulo de advertencia láser (marcada en la representación del aparato de medición en la página ilustrada).**
- ▶ **Si el texto del rótulo de advertencia láser no está en su idioma del país, entonces cúbralo con la etiqueta adhesiva adjunta en su idioma del país antes de la primera puesta en marcha.**



No oriente el rayo láser sobre personas o animales y no mire hacia el rayo láser directo o reflejado. Debido a ello, puede deslumbrar personas, causar accidentes o dañar el ojo.

- ▶ **Si la radiación láser incide en el ojo, debe cerrar conscientemente los ojos y mover inmediatamente la cabeza fuera del rayo.**
- ▶ **No efectúe modificaciones en el equipamiento del láser.**
- ▶ **No utilice las gafas de visualización láser (accesorio) como gafas protectoras.** Las gafas de visualización láser sirven para detectar mejor el rayo láser; sin embargo, éstas no protegen contra la radiación láser.
- ▶ **No utilice las gafas de visualización láser (accesorio) como gafas de sol o en el tráfico.** Las gafas de visualización láser no proporcionan protección UV completa y reducen la percepción del color.
- ▶ **Sólo deje reparar el aparato de medición por personal técnico calificado y sólo con repuestos originales.** Solamente así se mantiene la seguridad del aparato de medición.
- ▶ **No deje que niños utilicen el aparato de medición láser sin vigilancia.** Podrían deslumbrar involuntariamente a otras personas o a sí mismo.
- ▶ **No trabaje con el aparato de medición en un entorno potencialmente explosivo, en el que se encuentran líquidos, gases o polvos inflamables.** El aparato de medición puede producir chispas e inflamar los materiales en polvo o vapores.



No coloque el instrumento de medición y los accesorios magnéticos cerca de implantes y otros dispositivos médicos, como p. ej. marcapasos o bomba de insulina. Los imanes de los accesorios generan un campo, que puede afectar el funcionamiento de los implantes o de los dispositivos médicos.

- ▶ **Mantenga los accesorios magnéticos lejos de soportes de datos magnéticos y dispositivos magnéticamente sensibles.** Por el efecto de los imanes de los accesorios pueden generarse pérdidas de datos irreversibles.

Descripción del producto y servicio

Por favor, observe las ilustraciones en la parte inicial de las instrucciones de servicio.

Utilización reglamentaria

El aparato de medición ha sido diseñado para determinar y verificar líneas horizontales y verticales.

El aparato de medición es apropiado para ser utilizado en el interior y a la intemperie.

Componentes principales

La numeración de los componentes está referida a la imagen del aparato de medición en la página ilustrada.

- (1) Abertura de salida del rayo láser
 - (2) Interruptor de conexión/desconexión
 - (3) Indicador de pila
 - (4) Tecla para el modo de operación láser **Mode**
 - (5) Señal de aviso láser
 - (6) Número de serie
 - (7) Alojamiento de trípode de 1/4"
 - (8) Enclavamiento de la tapa del compartimento de las pilas
 - (9) Tapa del compartimento de las pilas
 - (10) Soporte (LB 10)^{a)}
 - (11) Imán^{a)}
 - (12) Tornillo de 1/4" del soporte^{a)}
 - (13) Orificio roscado del soporte^{a)}
 - (14) Abrazadera de techo (DK 10)^{a)}
 - (15) Soporte universal (BM 1)^{a)}
 - (16) Tablilla reflectante de láser^{a)}
 - (17) Trípode (BT 150)^{a)}
 - (18) Barra telescópica (BT 350)^{a)}
 - (19) Gafas para láser^{a)}
 - (20) Bolsa de protección^{a)}
- a) Los accesorios descritos e ilustrados no corresponden al material que se adjunta de serie. La gama completa de accesorios opcionales se detalla en nuestro programa de accesorios.

Datos técnicos

Láser de línea	GLL 2-20 G
Número de artículo	3 601 K65 ...
Alcance (radio) ^{A)}	10 m
Precisión de nivelación ^{B)C)D)}	±0,4 mm/m
Margen de autonivelación	±4°
Tiempo de nivelación	< 4 s
Temperatura de servicio	-5 °C ... +40 °C
Temperatura de almacenamiento	-20 °C ... +70 °C
Altura de aplicación máx. sobre la altura de referencia	2000 m
Humedad relativa del aire máx.	90 %
Grado de contaminación según IEC 61010-1	2 ^{E)}
Clase de láser	2
Tipo de láser	< 10 mW, 500-540 nm
C ₆	10
Divergencia	30 × 20 mrad (ángulo completo)
Fijación para trípode	1/4"
Pilas	4 × 1,5 V LR6 (AA)

Láser de línea	GLL 2-20 G
Duración del servicio (con modo de operación de líneas cruzadas) ^{B)}	5 h
Peso según EPTA-Procedure 01:2014	0,62 kg
Medidas (longitud × ancho × altura)	111 × 72 × 119 mm
Grado de protección	IP 64

- A) La zona de trabajo puede reducirse con condiciones del entorno adversas (p. ej. irradiación solar directa).
- B) con **20–25 °C**
- C) Los valores indicados asumen condiciones ambientales normales a favorables (p. ej. sin vibraciones, sin niebla, sin humo, sin luz solar directa). Tras fuertes fluctuación de temperatura pueden generarse desviaciones de precisión.
- D) válido para los puntos de intersección y en los correspondientes ángulos de 90°/180°/270°
- E) Sólo se produce un ensuciamiento no conductor, sin embargo ocasionalmente se espera una conductividad temporal causada por la condensación.

Para la identificación unívoca de su aparato de medición sirve el número de referencia **(6)** en la placa de características.

Montaje

Colocar/cambiar las pilas

Para el funcionamiento de la herramienta de medición se recomiendan pilas alcalinas de manganeso.

Para abrir la tapa del compartimiento de pilas **(9)** presione la retención **(8)** hacia arriba y quite la tapa del compartimiento de pilas. Coloque las pilas.

Observe en ello la polaridad correcta conforme a la representación en el lado interior del compartimiento de pilas.

El indicador de pilas **(3)** indica siempre el estado actual de las pilas.

Si las pilas están casi agotadas, el indicador de pilas **(3)** parpadea continuamente. Las líneas láser parpadean cada 5 minutos durante 5 segundos.

Si las pilas están vacías, las líneas láser y el indicador de pilas parpadean una vez más antes de la desconexión del aparato de medición.

Reemplace siempre simultáneamente todas las pilas. Utilice sólo pilas de un fabricante y con igual capacidad.

- ▶ **Retire las pilas del aparato de medición, si no va a utilizarlo durante un periodo largo.** Si las pilas se almacenan durante mucho tiempo en el aparato de medición, pueden corroerse y autodescargarse.

Operación

Puesta en marcha

- ▶ **Proteja el aparato de medición de la humedad y de la exposición directa al sol.**
- ▶ **No exponga el aparato de medición a temperaturas extremas o fluctuaciones de temperatura.** No lo deje, por

ejemplo, durante un tiempo prolongado en el automóvil. En caso de grandes fluctuaciones de temperatura, deje que se temple primero el aparato de medición y realice siempre una verificación de precisión antes de continuar con el trabajo (ver "Verificación de precisión del aparato de medición", Página 19).

Las temperaturas extremas o los cambios bruscos de temperatura pueden afectar a la exactitud del aparato de medición.

- ▶ **Evite que el aparato de medición reciba golpes o que caiga.** Después de influencias externas severas en el aparato de medición, debería realizar siempre una verificación de precisión antes de continuar con el trabajo (ver "Verificación de precisión del aparato de medición", Página 19).

- ▶ **Desconecte el aparato de medición cuando vaya a transportarlo.** Al desconectarlo, la unidad del péndulo se inmoviliza, evitándose así que se dañe al quedar sometida a una fuerte agitación.

Conexión/desconexión

Para **conectar** el aparato de medición, empuje el interruptor de conexión/desconexión **(2)** a la posición **ON**. Inmediatamente después de la conexión, el aparato de medición proyecta rayos láser desde las aberturas de salida **(1)**.

- ▶ **No oriente el rayo láser contra personas ni animales, ni mire directamente hacia el rayo láser, incluso enciéndolo a gran distancia.**

Para **desconectar** el aparato de medición, coloque el interruptor de conexión/desconexión **(2)** en la posición **OFF**. Al desconectar, se bloquea la unidad oscilante.

- ▶ **No deje sin vigilancia el aparato de medición encendido y apague el aparato de medición después del uso.**

El rayo láser podría deslumbrar a otras personas.

Sistema automático de desconexión

Si no se presiona ninguna tecla del aparato de medición durante aprox. **120** minutos, el aparato de medición se apaga automáticamente para proteger las pilas.

Para conectar de nuevo el aparato de medición tras la desconexión automática, puede despezar el interruptor de conexión/desconexión **(2)** primero a la posición **"OFF"** y luego conectar de nuevo el aparato de medición, o presionar la tecla para el modo de operación láser **(4)**.

Para desactivar la desconexión automática, (con el aparato de medición conectado), mantenga pulsada la tecla de modo de operación láser **(4)** durante al menos 3 s. Si la desconexión automática está desactivada, los rayos láser parpadean brevemente a modo de confirmación.

Para activar el automatismo de desconexión, desconecte y vuelva a conectar el aparato de medición.

Modos de operación

El aparato de medición dispone de varios modos de operación los cuales puede Ud. seleccionar siempre que quiera:

- Modo de operación de líneas cruzadas (ver figura **A**): genera un plano láser horizontal y una línea láser vertical hacia delante,

- Modo de operación horizontal (ver figura B): genera un plano láser horizontal,
- Modo de operación vertical (ver figura C): genera una línea láser vertical hacia adelante.

Para cambiar el modo de operación, oprima la tecla de modo de operación láser (4) las veces necesarias, hasta que los rayos láser se generen en el modo de operación deseado.

Todos los modos de operación se pueden realizar tanto con nivelación automática como también con función de inclinación.

Nivelación automática

El aparato de medición supervisa la posición en todo momento durante el funcionamiento. Cuando se instala dentro del margen de autonivelación de $\pm 4^\circ$ funciona con nivelación automática. Fuera del margen de autonivelación, el aparato cambia automáticamente a la función de inclinación.

Operación con nivelación automática (ver figuras A-C)

Coloque el aparato de medición sobre una superficie horizontal y sólida, fíjelo al soporte (10) o al trípode (17).

La nivelación automática compensa automáticamente los desniveles dentro del margen de autonivelación de $\pm 4^\circ$. Tan pronto como los rayos láser se encienden permanentemente, el aparato de medición está nivelado.

Si no es posible trabajar con nivelación automática, p. ej. debido a que la superficie de apoyo del aparato de medición diverge más de 4° de la horizontal, las líneas láser parpadean primero durante 2 s con un ciclo rápido. A continuación, las líneas láser se iluminan durante 5 s, después de lo cual parpadean varias veces cada 5 s con un ciclo rápido. El aparato de medición se encuentra en la función de inclinación.

Para trabajos ulteriores con nivelación automática, coloque horizontalmente el aparato de medición y espere la autonivelación. Tan pronto el aparato de medición se encuentra dentro del margen de la autonivelación de $\pm 4^\circ$, se encienden permanentemente los rayos láser.

En el caso de vibraciones o modificaciones de posición durante el servicio, el aparato de medición se nivela de nuevo automáticamente. Tras la nivelación verifique nuevamente la posición de los rayos láser respecto a los puntos de referencia para evitar errores debido al desplazamiento del aparato de medición.

Trabajos con función de inclinación (ver figura K)

Coloque el aparato de medición sobre una superficie inclinada. Cuando se trabaja con la función de inclinación, las líneas láser parpadean primero durante 2 s con un ciclo rápido. A continuación, las líneas láser se iluminan durante 5 s, después de lo cual parpadean varias veces cada 5 s con un ciclo rápido.

En la función de inclinación, las líneas láser ya no se nivelan y ya no son necesariamente perpendiculares entre sí.

Verificación de precisión del aparato de medición

Factores que afectan a la precisión

La influencia más fuerte la tiene la temperatura ambiente. Especialmente las variaciones de temperatura que pudieran existir a diferente altura respecto al suelo pueden provocar una desviación del rayo láser.

Como la estratificación térmica es más grande en las cercanías del suelo, debería montar el aparato de medición en lo posible sobre un trípode y colocarlo en el centro de la superficie de trabajo.

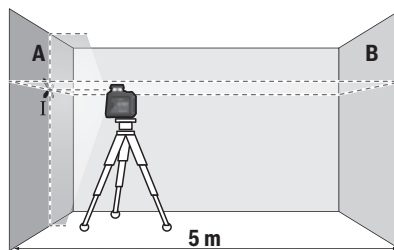
Fuera de los influjos exteriores, también los influjos específicos del aparato (como p. ej. caídas o golpes fuertes) pueden conducir a divergencias. Verifique por ello la exactitud de la nivelación antes de cada comienzo de trabajo.

Si en alguna de estas comprobaciones se llega a sobrepasar la desviación máxima admisible, haga reparar el aparato de medición en un servicio técnico Bosch.

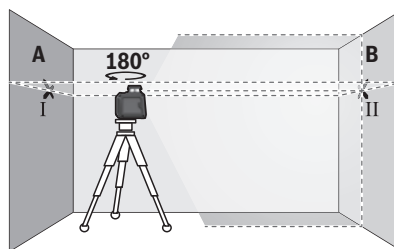
Comprobación de la exactitud de la altura de la línea horizontal

Para la comprobación se requiere un tramo libre de 5 m sobre un firme consistente entre dos paredes A y B.

- Coloque el aparato de medición cerca de la pared A montándolo sobre un trípode, o colocándolo sobre un firme consistente y plano. Conecte la herramienta de medición y seleccione el modo de operación de líneas cruzadas.

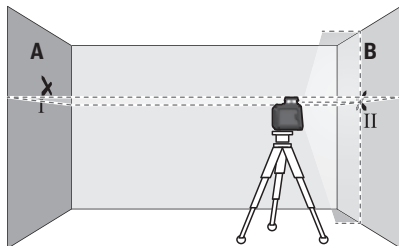


- Oriente el láser contra la cercana pared A, y deje que se nivele el aparato de medición. Marque el centro del punto, en el cual se cruzan las líneas láser en la pared (punto I).

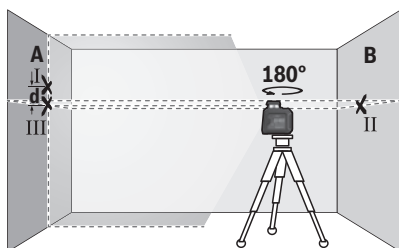


- Gire el aparato de medición en 180° , espere a que éste se haya nivelado y marque la intersección de las líneas láser en la pared B del lado opuesto (punto II).

- Ubique el aparato de medición – sin girarlo – cerca de la pared B, conéctelo y déjelo que se nivele.



- Alinee el aparato de medición en la altura (con la ayuda del trípode o de apoyos si es necesario), de modo que la intersección de las líneas láser quede exactamente en el punto II marcado previamente en la pared B.



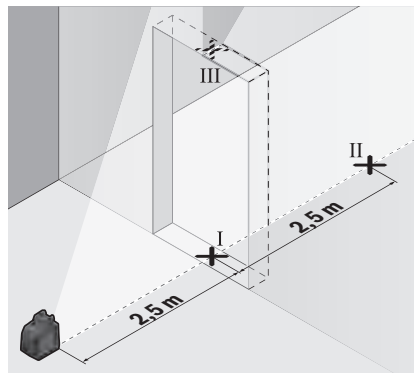
- Gire el aparato de medición en 180°, sin modificar la altura. Alineelo sobre la pared A, de modo que la línea láser vertical pase por el punto I ya marcado. Espere a que se haya nivelado el aparato de medición y marque la intersección de las líneas láser en la pared A (punto III).
- La diferencia **d** de ambos puntos I y III marcados sobre la pared A es la desviación de altura real del aparato de medición.

En un recorrido de medición de $2 \times 5 \text{ m} = 10 \text{ m}$, la divergencia máxima admisible asciende a:
 $10 \text{ m} \times \pm 0,4 \text{ mm/m} = \pm 4 \text{ mm}$. La diferencia **d** entre los puntos I y III debe ascender por consiguiente a como máximo 4 mm.

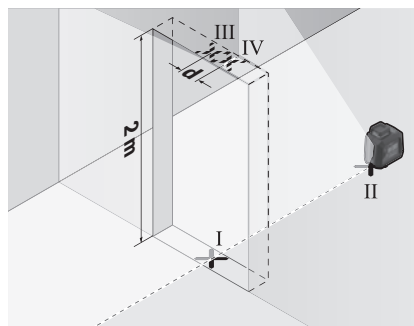
Comprobación de la exactitud de nivelación de la línea vertical

Para la comprobación se requiere el vano de una puerta, debiéndose disponer de un espacio mínimo antes y después del mismo de 2,5 m sobre un firme consistente.

- Coloque el aparato de medición sobre un plano firme y consistente (sin emplear un trípode) a una separación de 2,5 m respecto al vano de la puerta. Conecte la herramienta de medición y seleccione el modo de operación vertical. Alinee la línea láser sobre la abertura de puerta y deje que se nivele el aparato de medición.



- Marque el centro de la línea láser vertical en el piso de la abertura de puerta (punto I), a 5 m de distancia al otro lado de la abertura de puerta (punto II) así como en el margen superior de la abertura de puerta (punto III).



- Gire el aparato de medición en 180° y colóquelo en el otro lado de la abertura de puerta directamente detrás del punto II. Deje que se nivele el aparato de medición y alinee la línea láser vertical de manera que su centro pase exactamente por los puntos I y II.
- Marque el centro de la línea láser en el margen superior de la abertura de puerta como punto IV.
- La diferencia **d** de ambos puntos III y IV marcados es la desviación de la vertical real del aparato de medición.
- Mida la altura del vano de la puerta.

Calcule la divergencia máxima admisible como sigue:
 altura doble de la abertura de la puerta $\times 0,4 \text{ mm/m}$
 Ejemplo: con una altura de la abertura de la puerta de 2 m, la divergencia máxima puede ascender a
 $2 \times 2 \text{ m} \times \pm 0,4 \text{ mm/m} = \pm 1,6 \text{ mm}$. Por lo tanto, los puntos III y IV pueden estar a una distancia de 1,6 mm como máximo.

Instrucciones para la operación

- **Utilice siempre sólo el centro de la línea láser para marcar.** El ancho de la línea de láser cambia con la distancia.

Operación con el soporte LB 10 (accesorio) (ver figuras D-G)

Con el soporte (10) puede fijar el aparato de medición en superficies verticales o en materiales magnetizables. En combinación con la abrazadera de techo (14), el aparato de medición también se puede alinear en altura.

Coloque el aparato de medición con el alojamiento de trípode de 1/4" (7) en el tornillo de 1/4" (12) del soporte y atorníllelo firmemente.

Posibilidades de fijación del soporte (10):

- Con un tornillo de fijación común a través del orificio roscado (13) en madera (ver figura E),
- Con los imanes (11) en materiales imantables (ver figura F),
- Con la abrazadera de techo (14) en listones de techo (ver figura G).

► Mantenga los dedos alejados de la parte posterior del accesorio magnético al fijar el accesorio a superficies.

Debido a la fuerte fuerza de tracción de los imanes, sus dedos pueden quedar aprisionados.

Nivele el soporte (10) de forma aproximada antes de conectar el aparato de medición.

Trabajos con la tablilla reflectante (accesorio)

La tablilla reflectante de láser (16) mejora la visibilidad del rayo láser bajo condiciones desfavorables y distancias más grandes.

La superficie reflectante de la tablilla (16) permite apreciar mejor el rayo láser y la superficie transparente deja ver el rayo láser también por el dorso de la tablilla reflectante de láser.

Trabajos con el trípode (accesorio)

Un trípode ofrece una base de medición estable y regulable en la altura. Coloque el aparato de medición con el alojamiento del trípode de 1/4" (7) sobre la rosca del trípode (17) o de un trípode fotográfico corriente en el comercio.

Atornille firmemente el aparato de medición con los tornillos de sujeción del trípode.

Nivele el trípode de forma aproximada antes de conectar el aparato de medición.

Fijación con el soporte universal (accesorios)

Con la ayuda del soporte universal (15) puede fijar el aparato de medición p. ej. en superficies verticales o materiales imantables. El soporte universal es apropiado también para ser utilizado como trípode directamente sobre el suelo, ya que facilita el ajuste de altura del aparato de medición.

Alinee el soporte universal (15) de forma aproximada antes de conectar el aparato de medición.

Gafas para láser (accesorio)

Las gafas para láser filtran la luz del entorno. Ello permite apreciar con mayor intensidad la luz del láser.

- **No utilice las gafas de visualización láser (accesorio) como gafas protectoras.** Las gafas de visualización láser sirven para detectar mejor el rayo láser; sin embargo, éstas no protegen contra la radiación láser.

- **No utilice las gafas de visualización láser (accesorio) como gafas de sol o en el tráfico.** Las gafas de visualización láser no proporcionan protección UV completa y reducen la percepción del color.

Ejemplos para el trabajo (ver figuras H-K)

Ejemplos para la aplicación del aparato de medición los encontrará en las páginas ilustradas.

Mantenimiento y servicio

Mantenimiento y limpieza

Mantenga limpio siempre el aparato de medición.

No sumerja el aparato de medición en agua ni en otros líquidos.

Limpiar el aparato con un paño húmedo y suave. No utilice ningún detergente o disolvente.

Limpie con regularidad sobre todo el área en torno a la abertura de salida del láser, cuidando que no queden motas.

Almacene y transporte el aparato de medición solamente en la bolsa protectora (20).

En el caso de reparación, envíe el aparato de medición en la bolsa protectora (20).

Servicio técnico y atención al cliente

El servicio técnico le asesorará en las consultas que pueda Ud. tener sobre la reparación y mantenimiento de su producto, así como sobre piezas de recambio. Las representaciones gráficas tridimensionales e informaciones de repuestos se encuentran también bajo: **www.bosch-pt.com**

El equipo asesor de aplicaciones de Bosch le ayuda gustosamente en caso de preguntas sobre nuestros productos y sus accesorios.

Para cualquier consulta o pedido de piezas de repuesto es imprescindible indicar el nº de artículo de 10 dígitos que figura en la placa de características del producto.

España

Robert Bosch España S.L.U.
Departamento de ventas Herramientas Eléctricas
C/Hermanos García Noblejas, 19
28037 Madrid

Para efectuar su pedido online de recambios o pedir la recogida para la reparación de su máquina, entre en la página www.herramientasbosch.net.

Tel. Asesoramiento al cliente: 902 531 553

Fax: 902 531554

Direcciones de servicio adicionales se encuentran bajo:

www.bosch-pt.com/serviceaddresses

Eliminación

Recomendamos que los aparatos de medición, los accesorios y los embalajes sean sometidos a un proceso de recuperación que respete el medio ambiente.



¡No arroje los aparatos de medición y las pilas a la basura!

Sólo para los países de la UE:

Los aparatos de medición inservibles, así como los acumuladores/pilas defectuosos o agotados deberán acumularse por separado para ser sometidos a un reciclaje ecológico según las Directivas Europeas 2012/19/UE y 2006/66/CE, respectivamente.



El símbolo es solamente válido, si también se encuentra sobre la placa de características del producto/fabricado.

Português do Brasil

Indicações de segurança



Devem ser lidas e respeitadas todas as instruções, para trabalhar de forma segura e sem qualquer risco com o instrumento de medição. Se o instrumento de medição não

for usado de acordo com as presentes instruções, as medidas de proteção integradas no instrumento de medição podem ficar limitadas. Mantenha sempre as placas de aviso bem identificadas no instrumento de medição. **GUARDE BEM ESTAS INSTRUÇÕES E FORNEÇA-AS NO MOMENTO DA TRANSMISSÃO DO INSTRUMENTO DE MEDIÇÃO.**

- ▶ **Cuidado** – O uso de dispositivos de operação ou de ajuste diferentes dos especificados neste documento ou outros procedimentos podem resultar em exposição perigosa à radiação.
- ▶ O instrumento de medição é fornecido com uma placa de advertência laser (identificada na figura do instrumento de medição, que se encontra na página de esquemas).
- ▶ Se o texto da placa de advertência laser não estiver em seu idioma, antes da primeira utilização da ferramenta, deverá colar o adesivo que está na caixa com o texto de advertência em seu idioma nacional sobre a placa de advertência.



Não direcione o feixe de orientação a laser para pessoas ou animais e não olhe diretamente ou para o reflexo do mesmo.

Isso pode provocar cegamento, causar acidentes ou danos oculares.

- ▶ **Caso a radiação laser atinja o olho, feche proposadamente os olhos e desvie imediatamente a cabeça do feixe.**
- ▶ **Não faça alterações ao dispositivo a laser.**

- ▶ **Não use os óculos para laser (acessório) como óculos de proteção.** Os óculos para laser servem para ver melhor o feixe de orientação a laser; mas não protegem contra radiação laser.
- ▶ **Não use os óculos para laser (acessório) como óculos de sol ou no trânsito.** Os óculos para laser não protegem completamente contra raios UV e reduzem a percepção de cores.
- ▶ **Só permita que o instrumento de medição seja consertado por pessoal especializado e qualificado e só com peças de reposição originais.** Desta forma é assegurada a segurança do instrumento de medição.
- ▶ **Não deixe que crianças usem o instrumento de medição laser sem vigilância.** Elas podem cegar sem querer outras pessoas ou a elas mesmas.
- ▶ **Não trabalhe com o instrumento de medição em áreas com risco de explosão, onde se encontram líquidos, gases ou pó inflamáveis.** No instrumento de medição podem ser produzidas faíscas, que podem inflamar pós ou vapores.



Não coloque os acessórios magnéticos perto de implantes e outros aparelhos médicos, como p. ex. marca-passos ou bomba de insulina. Os ímãs dos acessórios criam um campo que pode influenciar o funcionamento de implantes ou aparelhos médicos.

- ▶ **Mantenha os acessórios magnéticos afastados de suportes de dados magnéticos e de aparelhos sensíveis magneticamente.** O efeito dos ímãs dos acessórios pode provocar uma perda irreversível dos dados.

Descrição do produto e especificações

Respeitar as ilustrações na parte da frente do manual de instruções.

Utilização adequada

O instrumento de medição se destina a determinar e verificar linhas horizontais e verticais.

O instrumento de medição é apropriado para a utilização em áreas interiores e exteriores.

Componentes ilustrados

A numeração dos componentes ilustrados refere-se à apresentação do instrumento de medição na página de esquemas.

- (1) Abertura para saída do raio laser
- (2) Interruptor de ligar/desligar
- (3) Indicação da bateria
- (4) Tecla para modo de operação laser **Mode**
- (5) Placa de advertência laser
- (6) Número de série

- (7) Suporte do tripé 1/4"
- (8) Travamento da tampa do compartimento da bateria
- (9) Tampa do compartimento das baterias
- (10) Suporte (LB 10)^{a)}
- (11) Ímã^{a)}
- (12) Parafuso de 1/4" do suporte^{a)}
- (13) Orifício do parafuso do suporte^{a)}
- (14) Grampo de teto (DK 10)^{a)}
- (15) Suporte universal (BM 1)^{a)}
- (16) Pannel de alvo laser^{a)}
- (17) Tripé (BT 150)^{a)}
- (18) Cabo telescópico (BT 350)^{a)}
- (19) Óculos para laser^{a)}
- (20) Bolsa de proteção^{a)}

a) **Acessórios apresentados ou descritos não pertencem ao volume de fornecimento. Todos os acessórios encontram-se no nosso catálogo de acessórios.**

Dados técnicos

Nível laser de linhas	GLL 2-20 G
Número de produto	3 601 K65 ...
Raio de ação (raio) ^{A)}	10 m
Precisão de nivelamento ^{B)(C)(D)}	±0,4 mm/m
Gama de auto nivelamento	±4°
Tempo de nivelamento	< 4 s
Temperatura de operação	-5 °C ... +40 °C
Temperatura de armazenamento	-20 °C ... +70 °C
Altura de trabalho máxima acima de altura de referência	2000 m
Umidade relativa máxima do ar	90 %
Grau de poluição segundo IEC 61010-1	2 ^{E)}
Classe de laser	2
Tipo de laser	< 10 mW, 500-540 nm
C ₆	10
Divergência	30 × 20 mrad (ângulo completo)
Suporte do tripé	1/4"
Baterias	4 × 1,5 V LRG (AA)
Tempo de autonomia (no modo de linhas cruzadas) ^{B)}	5 h
Peso de acordo com EPTA-Procedure 01:2014	0,62 kg
Dimensões (comprimento × largura × altura)	111 × 72 × 119 mm

Nível laser de linhas

GLL 2-20 G

Tipo de proteção IP 64

- A) O local de trabalho pode ser limitado por condições ambiente desfavoráveis (p. ex. luz solar direta).
- B) a **20-25 °C**
- C) Os valores indicados pressupõem condições ambientais normais a favoráveis (p. ex. sem vibração, sem nevoeiro, sem fumo e sem radiação solar direta). Após fortes variações de temperatura podem ocorrer desvios de precisão.
- D) Válido no ponto de cruzamento e nos respectivos ângulos de 90°/180°/270°
- E) Ocorre apenas uma leve sujidade não condutiva, sendo, contudo, ocasionalmente previsível uma condutividade temporária causada por condensação.

O número de série **(6)** na placa de características serve para identificar inequivocamente seu instrumento de medição.

Montagem

Colocar/trocar baterias

Para o funcionamento do instrumento de medição é recomendável usar pilhas de manganês alcalinas.

Para abrir a tampa do compartimento das pilhas **(9)** pressionar o travamento **(8)** para cima e retire a tampa do compartimento das pilhas. Introduzir as pilhas.

Prestar atenção à polaridade correta na ilustração no lado de dentro do compartimento das pilhas.

A indicação da bateria **(3)** indica sempre o estado atual da bateria.

Se as baterias estiverem quase descarregadas, a indicação da bateria **(3)** pisca permanentemente. As linhas laser piscam a cada 5 min durante 5 s.

Quando as baterias estão descarregadas, as linhas laser e a indicação da bateria piscam novamente, antes de o instrumento de medição desligar.

Sempre substituir todas as pilhas ao mesmo tempo. Só utilizar pilhas de uma só marca e com a mesma capacidade.

- ▶ **Retirar as pilhas do instrumento de medição, quando o mesmo não for usado durante um período de tempo mais longo.** As pilhas podem corroer ou descarregar se forem armazenadas durante muito tempo dentro do instrumento de medição.

Funcionamento

Colocação em funcionamento

- ▶ **Proteger a ferramenta de medição contra umidade ou insolação direta.**

- ▶ **Não expor o instrumento de medição a temperaturas muito altas ou mudanças de temperaturas drásticas.**

Não deixar, por exemplo, o instrumento muito tempo dentro do automóvel. No caso de grandes variações de temperatura deverá deixar o instrumento de medição alcançar a temperatura de funcionamento e efetue sempre um teste de exatidão antes de prosseguir com o trabalho (ver "Teste de exatidão do instrumento de medição", Página 24).

No caso de temperaturas extremas ou de grandes variações de temperatura é possível que a precisão do instrumento de medição seja prejudicada.

- ▶ **Evitar embater violentamente ou deixar cair o instrumento de medição.** Após fortes influências externas sobre o instrumento de medição efetuar sempre um teste de exatidão antes de prosseguir com o trabalho (ver "Teste de exatidão do instrumento de medição", Página 24).
- ▶ **Desligar o instrumento de medição para o transportar.** A unidade de nivelamento é bloqueada logo que o instrumento for desligado, caso contrário poderia ser danificada devido a fortes movimentos.

Ligar e desligar

Para **ligar** o instrumento de medição empurrar o interruptor de ligar/desligar **(2)** para a posição **ON**. Imediatamente após a ligação, o instrumento de medição envia raios laser a partir dos orifícios de saída **(1)**.

- ▶ **Não apontar o raio laser na direção de pessoas nem de animais e não olhar diretamente para o raio laser, nem mesmo a partir de maiores distâncias.**

Para **desligar** o instrumento de medição empurrar o interruptor de ligar/desligar **(2)** para a posição **OFF**. Ao desligar, a unidade pendular é bloqueada.

- ▶ **Não deixar o instrumento de medição ligado sem vigilância e desligue o instrumento de medição após utilização.** Outras pessoas poderiam ser cegadas pelo raio laser.

Dispositivo de desligamento automático

Se não for pressionada nenhuma tecla no instrumento de medição por aprox. **120 min**, o instrumento de medição desliga automaticamente para proteger as baterias.

Para voltar a ligar o instrumento de medição após o desligamento automático, pode deslocar primeiro o interruptor de ligar/desligar **(2)** para a posição **"OFF"** e depois voltar a ligar o instrumento de medição ou pode pressionar e tecla para o modo de operação laser **(4)**.

Para desativar o dispositivo de desligamento automático, manter pressionada (com o instrumento de medição ligada) a tecla para o modo de operação laser **(4)** por, pelo menos, 3 s. Se o dispositivo de desligamento automático estiver desativado, as linhas laser piscam por breves instantes para confirmação.

Para ativar o desligamento automático, desligar e voltar a ligar o instrumento de medição.

Tipos de funcionamento

O instrumento de medição possui vários modos de operação, entre os quais pode comutar em qualquer momento:

- Modo de linhas cruzadas (ver imagem **A**): gera um nível laser horizontal e uma linha laser vertical para a frente,
- Modo horizontal (ver imagem **B**): gera um nível laser horizontal,
- Modo vertical (ver imagem **C**): gera uma linha laser vertical para a frente.

Para alterar o modo de operação, pressionar a tecla para o modo de operação laser **(4)** até os raios laser serem gerados no modo de operação pretendido.

Todos os modos de operação são possíveis tanto com o sistema de nivelamento automático como com a função de inclinação.

Sistema de nivelamento automático

O instrumento de medição monitora permanentemente a localização durante a operação. Para a instalação dentro da faixa de autonivelamento de $\pm 4^\circ$ é utilizado o sistema de nivelamento automático. Fora da faixa de autonivelamento ocorre uma mudança automática para a função de inclinação.

Trabalhar com o sistema de nivelamento automático (ver imagens A-C)

Colocar o instrumento de medição sobre uma base estável e fixar o instrumento no suporte **(10)** ou no tripé **(17)**.

O sistema de nivelamento automático compensa automaticamente irregularidades dentro da faixa de autonivelamento de $\pm 4^\circ$. Assim que os raios laser acenderem permanentemente, o instrumento de medição está nivelado.

Se não for possível realizar o nivelamento automático, p. ex. porque a base de apoio do instrumento de medição se desvia mais do que 4° do plano horizontal, as linhas laser piscam primeiro durante 2 s em sequência rápida. A seguir, as linhas laser acende, durante 5 s, depois piscam várias vezes a cada 5 s em sequência rápida. O instrumento de medição está na função de inclinação.

Para continuar a trabalhar com o sistema de nivelamento automático, colocar o instrumento de medição na horizontal e aguardar o autonivelamento. Assim que o instrumento de medição se encontrar dentro da faixa de autonivelamento de $\pm 4^\circ$, os raios laser acendem permanentemente.

O instrumento de medição é automaticamente renivelado se ocorrerem abalos ou mudanças de posição durante o funcionamento. Após o nivelamento, verificar a posição dos raios laser em relação aos pontos de referência, para evitar erros devido ao deslocamento do instrumento de medição.

Trabalhar com a função de inclinação (ver imagem K)

Colocar o instrumento de medição sobre uma base inclinada. Para trabalhar com a função de inclinação, as linhas laser piscam primeiro durante 2 s em sequência rápida. A seguir, as linhas laser acende, durante 5 s, depois piscam várias vezes a cada 5 s em sequência rápida.

Na função de inclinação as linhas laser já não são mais niveladas e já não traçam uma trajetória necessariamente perpendicular entre si.

Teste de exatidão do instrumento de medição

Influências de exatidão

A influência maior é exercida pela temperatura ambiente. Especialmente as diferenças de temperatura que ascendem do solo podem desviar o feixe de orientação a laser.

Devido ao fato de a estratificação térmica ser maior perto do solo, montar sempre o instrumento de medição se possível em um tripé e centrar no local de trabalho.

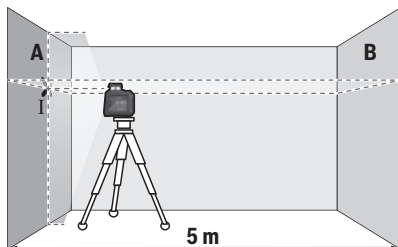
Paralelamente às influências exteriores, também as influências específicas do aparelho (como p. ex. quedas ou embates violentos) podem provocar desvios. Por esse motivo, verificar a exatidão do instrumento de medição antes de iniciar qualquer trabalho.

Se durante alguma das verificações o instrumento de medição ultrapassar o desvio máximo, solicitar a reparação por um Serviço de Assistência Técnica **Bosch**.

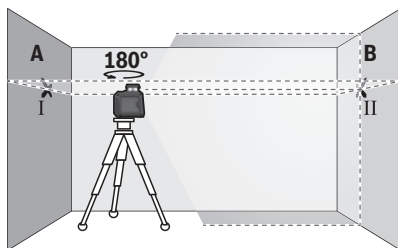
Verificar a precisão de altura da linha horizontal

Para a verificação é necessário um trajeto de medição livre de 5 m sobre uma base fixa entre duas paredes A e B.

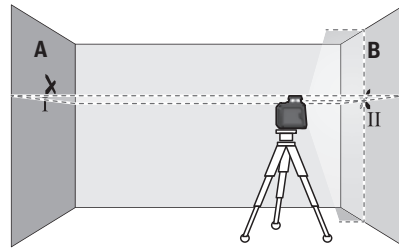
- Montar o instrumento de medição perto da parede A sobre um tripé ou colocá-lo sobre uma base fixa e plana. Ligar o instrumento de medição e selecionar o modo de linhas cruzadas.



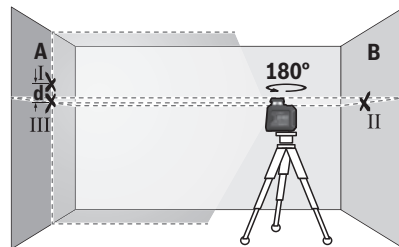
- Alinhar o laser com a parede próxima A e deixar o instrumento de medição nivelar. Marcar o centro do ponto em que as linhas laser se cruzam na parede (ponto I).



- Rodar o instrumento de medição em 180°, deixar que ele nivele e marcar o ponto de cruzamento das linhas laser na parede B oposta (ponto II).
- Posicionar o instrumento de medição – sem rodar – perto da parede B, ligar e deixar que nivele.



- Alinhar o instrumento de medição em altura (com a ajuda do tripé ou, se necessário, através de suportes), de forma que o ponto de cruzamento das linhas laser incidia precisamente sobre o ponto II marcado anteriormente na parede B.



- Rodar o instrumento de medição em 180°, sem alterar a altura. Direcionar o instrumento para a parede A, de forma que a linha laser vertical passe pelo ponto I já marcado. Deixar o instrumento de medição nivelar e marcar o ponto de cruzamento das linhas laser na parede A (ponto III).
- A diferença **d** dos dois pontos marcados I e III na parede A indica o desvio de altura efetivo do instrumento de medição.

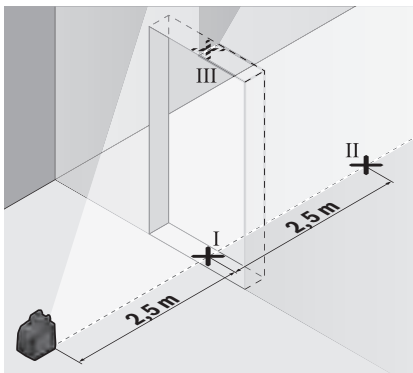
No trajeto de medição de $2 \times 5 \text{ m} = 10 \text{ m}$ o desvio permitido máximo é:

$10 \text{ m} \times \pm 0,4 \text{ mm/m} = \pm 4 \text{ mm}$. A diferença **d** entre os pontos I e III consequentemente só pode no máximo ser de 4 mm.

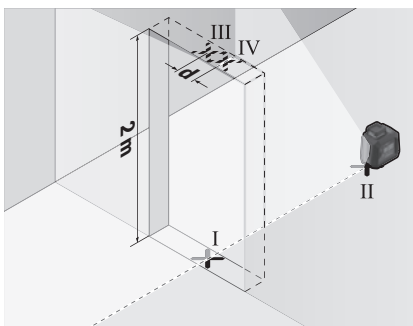
Verificar a precisão de nivelamento da linha vertical

Para a verificação necessita de uma abertura de porta, em que exista (em base fixa) no mínimo 2,5 m de espaço de cada lado da porta.

- Colocar o instrumento de medição a uma distância de 2,5 m da abertura da porta sobre uma base fixa e plana (não sobre um tripé). Ligar o instrumento de medição e selecionar o modo vertical. Alinhar a linha laser para a abertura da porta e deixar o instrumento de medição nivelar.



- Marcar o centro da linha laser vertical no solo da abertura da porta (ponto I), a uma distância de 5 m do outro lado da abertura da porta (ponto II) bem como na borda superior da abertura da porta (ponto III).



- Gire a ferramenta de medição em 180° e colocá-la do outro lado da abertura da porta diretamente atrás do ponto II. Deixar a ferramenta de medição nivelar e alinhar a linha laser vertical de forma que seu centro passe exatamente pelos pontos I e II.
- Marcar o centro da linha laser na borda superior da abertura da porta como ponto IV.
- A diferença **d** dos dois pontos marcados III e IV indica o desvio defectivo do instrumento de medição do plano vertical.
- Meça a altura da abertura da porta.

O desvio máximo permitido é calculado da seguinte forma:
 altura dupla da abertura da porta \times **0,4** mm/m
 Exemplo: em uma altura da porta de **2 m** o desvio máximo pode ser
 $2 \times 2 \text{ m} \times \pm 0,4 \text{ mm/m} = \pm 1,6 \text{ mm}$. Consequentemente, os pontos III e IV podem divergir no máximo **1,6** mm.

Indicações de trabalho

- ▶ **Usar apenas o centro da linha laser para marcar.** A largura da linha laser se altera com a distância.

Trabalhar com o suporte LB 10 (acessórios) (ver imagens D-G)

Com a ajuda do suporte **(10)** pode fixar o instrumento de medição em superfícies verticais ou materiais magnetizáveis. Em combinação com o grampo de teto **(14)** também é possível orientar o instrumento de medição em altura.

Colocar o instrumento de medição com o suporte do tripé 1/4" **(7)** no parafuso de 1/4" **(12)** do suporte e apertar bem.

Opções de fixação do suporte **(10)**:

- Com um parafuso de fixação convencional através do orifício do parafuso **(13)** em madeira (ver imagem **E**),
- Com os ímãs **(11)** em materiais magnetizáveis (ver imagem **F**),
- Com o grampo de teto **(14)** em sancas (ver imagem **G**).

▶ **Mantenha os dedos afastados da parte de trás do acessório magnético quando fixa o acessório em superfícies.** Os seus dedos podem ficar entalados devido à potente força de tração.

Alinhar grosseiramente o suporte **(10)**, antes de ligar o instrumento de medição.

Trabalhar com o painel de alvo laser (acessórios)

O painel de alvo laser **(16)** melhora a visibilidade do raio laser em condições desfavoráveis e maiores distâncias.

A superfície refletora do painel de alvo laser **(16)** melhora a visibilidade da linha laser, sendo a linha laser visível também pela parte de trás do painel de alvo laser através da superfície transparente.

Trabalhar com o tripé (acessório)

Um tripé oferece uma base de medição estável e ajustável em altura. Colocar o instrumento de medição com o suporte do tripé de 1/4" **(7)** na rosca do tripé **(17)** ou em um tripé de fotografia convencional. Apertar o instrumento de medição com o parafuso de fixação do tripé.

Alinhar grosseiramente o tripé, antes de ligar o instrumento de medição.

Fixação com o suporte universal (acessórios)

Com a ajuda do suporte universal **(15)** pode fixar o instrumento de medição p. ex. em superfícies verticais ou materiais magnetizáveis. O suporte universal também é adequado como tripé de chão e facilita o alinhamento em altura do instrumento de medição.

Alinhar grosseiramente o suporte universal **(15)**, antes de ligar o instrumento de medição.

Óculos para laser (acessório)

Os óculos para laser filtram a luz ambiente. Dessa forma, se pode ver mais clara a luz do laser.

- ▶ **Não use os óculos para laser (acessório) como óculos de proteção.** Os óculos para laser servem para ver melhor o feixe de orientação a laser; mas não protegem contra radiação laser.
- ▶ **Não use os óculos para laser (acessório) como óculos de sol ou no trânsito.** Os óculos para laser não protegem

completamente contra raios UV e reduzem a percepção de cores.

Exemplos de trabalho (ver figuras H-K)

Os exemplos de aplicação do instrumento de medição se encontram nas páginas gráficas.

Manutenção e serviço

Manutenção e limpeza

Manter o instrumento de medição sempre limpo.

Não mergulhar o instrumento de medição na água nem em outros líquidos.

Limpar sujidades com um pano húmido e macio. Não utilizar detergentes nem solventes.

Limpar regularmente, em especial, as superfícies em volta da abertura de saída do laser e verifique que não haja pelos. Guardar e transportar o instrumento de medição apenas na bolsa de proteção (20).

Em caso de reparação enviar o instrumento de medição na bolsa de proteção (20).

Serviço pós-venda e assistência ao cliente

O serviço pós-venda responde às suas perguntas a respeito de serviços de reparação e de manutenção do seu produto, assim como das peças sobressalentes. Desenhos explodidos e informações sobre peças sobressalentes também em: www.bosch-pt.com

A nossa equipe de consultores Bosch esclarece com prazer todas as suas dúvidas a respeito dos nossos produtos e acessórios.

Indique em todas as questões ou encomendas de peças sobressalentes impreterivelmente a referência de 10 dígitos de acordo com a placa de características do produto.

Encontre outros endereços da assistência técnica em:

www.bosch-pt.com/serviceaddresses

Descarte

Os instrumentos de medição, acessórios e embalagens devem ser dispostos para reciclagem da matéria prima de forma ecológica.



Não descartar os instrumentos de medição e as pilhas no lixo doméstico!

Apenas para países UE:

De acordo com a diretiva europeia 2012/19/UE os instrumentos de medição estragados e de acordo com a diretiva europeia 2006/66/EC as baterias/pilhas com defeito ou desgastadas têm de ser recolhidas em separado e entregues num ponto de recolha apropriado para efeitos de reciclagem.

Türkçe

Güvenlik talimatı



Ölçme cihazı ile tehlikesiz ve güvenli biçimde çalışabilmek için bütün güvenlik talimatı ve uyarılar okunmalıdır. Ölçme cihazı bu güvenlik talimatına uygun olarak kullanılmazsa, ölçme cihazına entegre koruyucu donanımların işlevi kısıtlanabilir. Ölçme cihazı üzerindeki uyarı etiketlerini hiçbir zaman görünmez duruma getirmeyin. BU TALİMATLARI İYİ VE GÜVENLİ BİR YERDE SAKLAYIN VE ÖLÇME CİHAZINI BAŞKASINA VERDİĞİNİZDE BUNLARI DA BİRLİKTE VERİN.

- ▶ **Dikkat – Burada anılan kullanım ve ayar donanımlarından farklı donanımlar veya farklı yöntemler kullanıldığı takdirde, tehlikeli ışın yayılımına neden olunabilir.**
- ▶ **Bu ölçme cihazı bir lazer uyarı etiketi ile teslim edilir (ölçme cihazının resminin bulunduğu grafik sayfasında gösterilmektedir).**
- ▶ **Lazer uyarı etiketindeki metin kendi dilinizde değilse, ilk kullanımdan önce cihaz ekinde teslim edilen kendi dilinizdeki lazer uyarı etiketini mevcut lazer uyarı etiketi üzerine yapıştırın.**



Lazer ışını başkalarına veya hayvanlara doğrultmayın ve doğrudan gelen veya yansıyan lazer ışınına bakmayın. Aksi takdirde başkalarının gözünü kamaştırabilir, kazalara neden olabilir veya gözlerde hasara neden olabilirsiniz.

- ▶ **Lazer ışını gözünüze gelecek olursa gözlerinizi bilinçli olarak kapatın ve hemen başınızı başka tarafa çevirin.**
- ▶ **Lazer donanımında hiçbir değişiklik yapmayın.**
- ▶ **Lazer gözlüğünü (aksesuar) koruyucu gözlük olarak kullanmayın.** Lazer gözlüğü lazer ışınının daha iyi görülmesini sağlar, ancak lazer ışınına karşı koruma sağlamaz.
- ▶ **Lazer gözlüğünü (aksesuar) güneş gözlüğü olarak veya trafikte kullanmayın.** Lazer gözlüğü kızılötesi ışınlar karşı tam bir koruma sağlamaz ve renk algılama performansını düşürür.
- ▶ **Ölçme cihazının sadece kalifiye uzman personel tarafından ve orijinal yedek parçalarla onarılmasını sağlayın.** Bu sayede ölçme cihazının güvenliğini sağlarsınız.
- ▶ **Çocukların kontrolünüz dışında lazerli ölçme cihazını kullanmasına izin vermeyin.** İstemeden de olsa kendi gözlerinizin veya başkalarının gözlerinin kamaşmasına neden olabilirsiniz.
- ▶ **Ölçme cihazı ile içinde yanıcı sıvılar, gazlar veya tozlar bulunan patlama riski bulunan ortamlarda çalışmayın.** Ölçme cihazı içinde tozu veya buharları tutuşturabilecek kıvılcımlar oluşabilir.



Manyetik aksesuarları, implantlara ve kalp pili veya insülin pompası gibi özel tıbbi cihazlara yaklaştırmayın. Aksesuarların mıknatısları, implantların ve tıbbi cihazların fonksiyonlarını olumsuz yönde etkileyebilecektir bir alan oluşturur.

- **Manyetik aksesuarları manyetik veri taşıyıcılardan ve manyetik etkilere karşı hassas olan cihazlardan uzak tutun.** Aksesuarlardaki mıknatısların etkisi ile geri dönüşü mümkün olmayan veri kayıpları ortaya çıkabilir.

Ürün ve performans açıklaması

Lütfen kullanma kılavuzunun ön kısmındaki resimlere dikkat edin.

Usulüne uygun kullanım

Bu ölçme cihazı yatay ve dikey çizgilerin belirlenmesi ve kontrol edilmesi için tasarlanmıştır.

Bu ölçme cihazı kapalı mekanlarda ve açık havada kullanılmaya uygundur.

Şekli gösterilen elemanlar

Şekli gösterilen elemanların numaraları ile grafik sayfasındaki ölçme cihazı resmindeki numaralar aynıdır.

- (1) Lazer ışını çıkış deliği
 - (2) Açma/kapama şalteri
 - (3) Pil göstergesi
 - (4) Lazer modu tuşu **Mode**
 - (5) Lazer uyarı etiketi
 - (6) Seri numarası
 - (7) Tripod girişi 1/4"
 - (8) Pil haznesi kapağı kilidi
 - (9) Pil haznesi kapağı
 - (10) Tutucu düzeneği (LB 10)^{a)}
 - (11) Mıknatıs^{a)}
 - (12) Tutucu düzeneği 1/4" vidası^{a)}
 - (13) Tutucu düzeneği vidalama deliği^{a)}
 - (14) Tavan kıskacı (DK 10)^{a)}
 - (15) Universal tutucu düzeneği (BM 1)^{a)}
 - (16) Lazer hedef tahtası^{a)}
 - (17) Tripod (BT 150)^{a)}
 - (18) Teleskopik çubuk (BT 350)^{a)}
 - (19) Lazer gözlüğü^{a)}
 - (20) Koruma çantası^{a)}
- a) **Şekli gösterilen veya tanımlanan aksesuar standart teslimat kapsamında değildir. Aksesuarın tümünü aksesuar programımızda bulabilirsiniz.**

Teknik veriler

Çizgi lazeri	GLL 2-20 G
Malzeme numarası	3 601 K65 ...

Çizgi lazeri	GLL 2-20 G
Çalışma alanı (yarıçap) ^{a)}	10 m
Nivelman hassasiyeti ^{b)/c)/d)}	±0,4 mm/m
Otomatik nivelman aralığı	±4°
Nivelman süresi	< 4 sn
İşletme sıcaklığı	-5 °C ... +40 °C
Saklama sıcaklığı	-20 °C ... +70 °C
Referans yükseklik üzerinde maks. uygulama yüksekliği	2000 m
Bağıl hava nemi maks.	%90
IEC 61010-1 uyarınca kirlenme derecesi	2 ^{E)}
Lazer sınıfı	2
Lazer tipi	< 10 mW, 500-540 nm
C ₆	10
İraksama	30 × 20 mrad (tam açı)
Tripod girişi	1/4"
Piller	4 × 1,5 V LR6 (AA)
İşletim süresi (çapraz çizgi modunda) ^{b)}	5 sa
Ağırlığı EPTA-Procedure 01:2014 uyarınca	0,62 kg
Ölçüleri (uzunluk × genişlik × yükseklik)	111 × 72 × 119 mm
Koruma türü	IP 64

- A) Çalışma alanı elverişsiz ortam koşulları nedeniyle (örneğin doğrudan gelen güneş ışığı) azalabilir.
- B) 20-25 °C'de
- C) Belirtilen değerler normal ila en uygun ortam koşullarını şart koşar (örneğin titreşim, sis, duman, direkt güneş ışını bulunmayacaktır). Aşırı sıcaklık değişikliklerinde hassaslık sapmaları meydana gelebilir.
- D) kesişim noktasında ve ilgili 90°/180°/270° açılarda geçerlidir
- E) Zaman zaman yoğunlaşma nedeniyle iletkenlik görülebilmesine rağmen, sadece iletken olmayan bir kirlenme ortaya çıkar. Tip etiketi üzerindeki seri numarası (6) ölçme cihazının kimliğinin belirlenmesine yarar.

Montaj

Akülerin takılması/değiştirilmesi

Bu ölçme cihazının alkali mangan bataryalarla çalıştırılması tavsiye olunur.

Pil haznesi kapağını (9) açmak için kilide (8) yukarı doğru basın ve pil haznesi kapağını çıkarın. Pilleri yerlerine yerleştirin.

Batarya gözünün iç tarafındaki şekle bakarak doğru kutuplama yapın.

Pil göstergesi (3) daima pilin güncel durumunu gösterir.

Piller bitmek üzereyse pil göstergesi (3) sürekli yanar. Lazer çizgileri her 5 dakikada bir 5 saniye yanıp söner.

Piller boşsa, lazer çizgileri ve pil göstergesi ölçüm aleti kapanmadan önce son bir kere daha yanıp söner. Bütün bataryaları daima eşzamanlı olarak değiştirin. Daima aynı üreticinin aynı kapasitedeki bataryalarını kullanın.

- **Uzun süre kullanmayacaksanız pilleri ölçüm aletinden çıkarın.** Piller uzun süre ölçüm aleti içinde kullanım dışı kaldıklarında korozyona uğrayabilir ve kendiliğinden boşalabilir.

İşletim

Çalıştırma

- **Ölçme cihazını nmeden ve doğrudan gelen güneş ışınından koruyun.**
- **Ölçme cihazını aşırı sıcaklıklara veya sıcaklık dalgalanmalarına maruz bırakmayın.** Örneğin cihazı uzun süre otomobil içinde bırakmayın. Aşırı büyük sıcaklık farkları olduğunda ölçüm cihazının önce ortam sıcaklığına gelmesini sağlayın ve çalışmaya devam etmeden önce daima hassaslık kontrolü yapın (Bakınız „Ölçme cihazının hassaslık kontrolü“, Sayfa 30). Aşırı sıcaklıklarda veya sıcaklık dalgalanmalarında ölçme cihazının hassaslığı olumsuz yönde etkilenebilir.
- **Ölçme cihazını şiddetli çarpma ve düşmelere karşı koruyun.** Ölçme cihazına dışarıdan şiddetli etki olduğunda, çalışmaya devam etmeden önce daima bir hassaslık kontrolü yapmalısınız (Bakınız „Ölçme cihazının hassaslık kontrolü“, Sayfa 30).
- **Taşırken ölçme cihazını kapatın.** Kapama işleminde pandül ünitesi kilitlenir, aksi takdirde cihaz şiddetli hareketlerde hasar görebilir.

Açma/kapama

Ölçüm aletini **açmak** için açma/kapama şalterini **(2) ON** pozisyonuna itin. Ölçüm aleti açıldıktan hemen sonra çıkış deliklerinden **(1)** lazer ışınları gönderir.

- **Lazer ışınını başkalarına veya hayvanlara doğrultmayın ve uzak mesafeden de olsa lazer ışınına bakmayın.**

Ölçme cihazını **kapatmak** için açma/kapama şalterini **(2) OFF** pozisyonuna itin. Cihaz kapanınca pandül birimi kilitlenir.

- **Açık bulunan ölçme cihazını kontrolünüz dışında bırakmayan ve kullandıktan sonra ölçme cihazını kapatın.** Başkalarının gözü lazer ışını ile kamaşabilir.

Otomatik kapanma

Yakl. **120** dak. boyunca ölçüm aletindeki hiçbir tuşa basılmazsa ölçüm aleti, aküleri korumak için otomatik olarak kapanır.

Ölçüm aletini otomatik kapanmadan sonra tekrar açmak için açma/kapama şalterini **(2)** önce **"OFF"** pozisyonuna itin ve ölçüm aletini tekrar açın veya lazer işletim türü tuşuna **(4)** basın.

Kapama otomatığını devre dışı bırakmak için lazer işletme türü tuşunu **(4)** (cihaz açık durumda) en azından 3 saniye

süre ile basılı tutun. Kapama otomatığı devre dışı kaldığında, onaylama yapmak üzere lazer ışınları kısa süre yanıp söner. Otomatik kapama işlevini etkin duruma getirmek için ölçme cihazını kapatın ve tekrar açın.

İşletim türleri

Bu ölçme aletinin birçok işletim türü vardır ve bunlar arasında istediğiniz zaman değişiklik yapabilirsiniz:

- Çapraz çizgi modu (Bakınız: Resim **A**): Öne doğru dikey bir lazer çizgisi ve yatay bir lazer düzlemi oluşturur,
- Yatay mod (Bakınız: Resim **B**): Yatay bir lazer düzlemi oluşturur,
- Dikey mod (Bakınız: Resim **C**): Öne doğru dikey bir lazer çizgisi oluşturur.

Lazer modunu değiştirmek için, lazer ışınları istenen çalışma modunda oluşturulana kadar lazer modu tuşuna **(4)** basın. Bütün işletim türleri hem nivelman otomatığı ile hem de eğim fonksiyonu ile mümkündür.

Nivelman otomatığı

Ölçüm aleti çalışma sırasında durumu sürekli izler. $\pm 4^\circ$ otomatik nivelman aralığında ayarlandığında nivelman otomatığı ile çalışır. Otomatik nivelman aralığınız dışında, otomatik olarak eğim fonksiyonuna geçer.

Nivelman otomatığı ile çalışma (Bakınız: Resimler A–C)

Ölçüm aletini yatay, sert bir zemine yerleştirin, tutucu düzeneğine **(10)** veya tripodla **(17)** sabitleyin.

Nivelman otomatığı (otomatik nivelman fonksiyonu) $\pm 4^\circ$ lik otomatik nivelman aralığındaki sapmaları dengeler. Lazer ışınları sürekli olarak yandığında, ölçüm aleti nivelmanı gerçekleştirmiştir.

Otomatik seviyeleme mümkün değilse (örneğin ölçüm aletinin bulunduğu yüzey, yatay konumdan 4° üzerinde fazla sapma gösteriyorsa) lazer çizgileri önce 2 sn süreyle hızlı bir tempoda yanıp söner. Ardından lazer çizgileri 5 sn boyunca yanar, daha sonra hepsi 5 sn boyunca hızlı bir hızla birden çok kez yanıp sönerler. Ölçüm aleti eğim fonksiyonunda bulunur.

Nivelman otomatığı ile çalışmaya devam etmek için ölçüm aletini yatay olarak yerleştirin ve otomatik nivelman yapmasını bekleyin. Ölçüm aleti $\pm 4^\circ$ değerindeki otomatik nivelman aralığı içindeyse lazer ışınları sürekli yanar.

İşletme esnasındaki sarsıntılarda veya konum değişikliklerinde ölçüm aleti tekrar otomatik olarak nivelman yapar. Ölçüm aletinin kaymasından kaynaklanan hataları önlemek için seviyeleme sonrasında, referans noktalara bağlı olarak lazer ışınlarının konumunu kontrol edin.

Eğim fonksiyonu ile çalışma (bkz. Resim K)

Ölçüm aletini eğimli bir yüzeye yerleştirin. Eğim fonksiyonuyla çalışırken, lazer çizgileri önce 2 sn süreyle hızlı tempoda yanıp sönerler. Ardından lazer çizgileri 5 sn boyunca yanar, daha sonra hepsi 5 sn boyunca hızlı bir hızla birden çok kez yanıp sönerler.

Eğim fonksiyonunda lazer çizgilerinin nivelman ayarı yapılmaz ve çizgiler zorunlu olarak birbirine dik gitmez.

Ölçme cihazının hassaslık kontrolü

Hassaslık üzerine olan etkiler

En büyük etkiyi ortam sıcaklığı yapar. Özellikle zeminden yukarı doğru seyreden sıcaklık farkları lazer ışını saptrabilir.

Sıcaklık tabakalaşması zemine yakın yerlerde en fazla olduğu için, mümkünse ölçüm aletini bir tripoda takmanız ve çalışma alanının ortasına yerleştirmeniz gerekir.

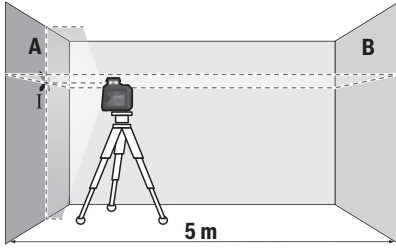
Dış etkiler yanında cihaza özgü etkiler de (örneğin düşme veya şiddetli çarpmalar) sapmalara neden olabilir. Bu nedenle çalışma başlamadan önce her defasında nivelman hassaslığını kontrol edin.

Yaptığınız kontrollerde ölçüm aleti maksimum sapma sınırını aşacak olursa, cihazı bir **Bosch** müşteri hizmetine onarım gönderin.

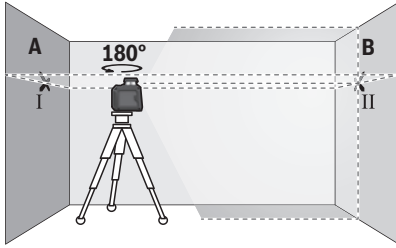
Yatay ışın yükseklik hassasiyetinin kontrol edilmesi

Bu kontrol işlemi için A ve B duvarları arasında 5 m'lik serbest bir ölçme hattına ihtiyacınız vardır.

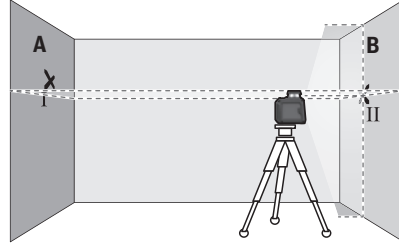
- Ölçüm aletini A duvarının yakınında bir tripoda monte edin veya sert, düz bir zemine yerleştirin. Ölçüm aletini açın ve çapraz çizgi modunu seçin.



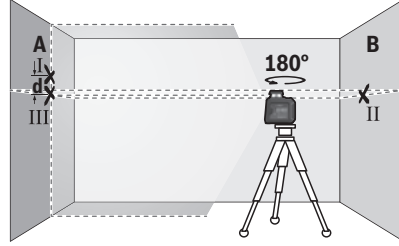
- Lazeri A duvarına yakın olarak doğrultun ve ölçme cihazının nivelman yapmasını bekleyin. Lazer ışınlarının duvarda kesiştiği noktanın ortasını işaretleyin (Nokta I).



- Ölçme cihazını 180° çevirin, nivelman yapmasını bekleyin ve karşı duvarda B lazer ışınlarının kesiştiği noktayı işaretleyin (Nokta II).
- Ölçme cihazını – çevirmeden – B duvarının yakınına yerleştirin, cihazı açın ve nivelman yapmasını bekleyin.



- Ölçme cihazının yüksekliğini (tripod yardımı ile ve gerekiyorsa besleyerek) lazer çizgilerinin kesiştiği nokta tam olarak B duvarında işaretlenen Nokta II'ye denk gelecek biçimde ayarlayın.

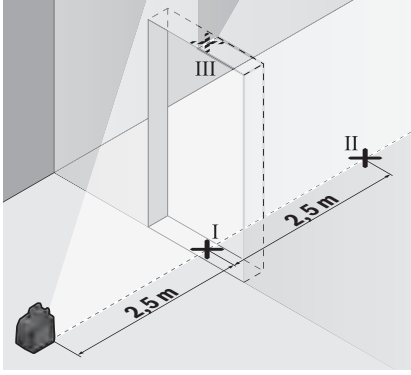


- Yüksekliği değiştirmeden, ölçme cihazını 180° çevirin. Cihazı A duvarına, dikey lazer ışını işaretlenen Nokta I'den geçecek biçimde doğrultun. Ölçme cihazının nivelman yapmasını bekleyin ve A duvarında lazer ışınlarının kesiştiği noktayı işaretleyin (Nokta III).
- A duvarında işaretlenen I ve III noktaları arasındaki d farkı, ölçme cihazının gerçek yükseklik sapmasını verir. $2 \times 5 \text{ m} = 10 \text{ m}$ ölçüm hattında izin verilen maksimum sapma: $10 \text{ m} \times \pm 0,4 \text{ mm/m} = \pm 4 \text{ mm}$. Nokta I ve III arasındaki d farkı en fazla 4 mm olmalıdır.

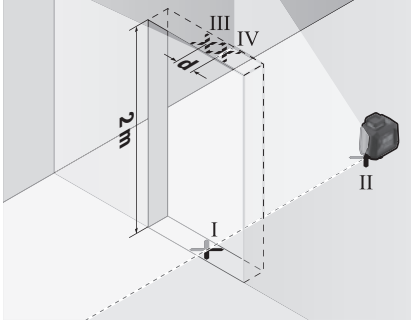
Dikey ışın nivelman hassasiyetinin kontrol edilmesi

Bu kontrol işlemi için her iki tarafında en azından 2,5 m yer olan bir kapı aralığına (sert zemin üzerinde) ihtiyacınız vardır.

- Ölçüm aletini kapı aralığından 2,5 m mesafeye sert ve düz bir zemine yerleştirin (tripoda değil). Ölçüm aletini açın ve dikey çizgi modunu seçin. Lazer çizgisini kapı açıklığına doğrultun ve ölçüm aletinin seviyeleme yapmasını bekleyin.



- Kapı aralığı zemindeki dikey lazer çizgisinin ortasını işaretleyin (Nokta I), kapı aralığının diğer tarafında 5 m mesafedeki noktayı (Nokta II) ve kapı aralığı üst kenarındaki noktayı (Nokta III) işaretleyin.



- Ölçme cihazını 180° çevirin ve kapı aralığının diğer tarafında doğrudan Nokta II'nin arkasına yerleştirin. Ölçme cihazının nivelman yapmasını bekleyin ve dikey lazer ışını, Nokta I ve Nokta II'den geçecek biçimde doğrultun.
- Kapı aralığı üst kenarında lazer ışınının ortasını Nokta IV olarak işaretleyin.
- İşaretlenen III ve IV noktaları arasındaki d farkı ölçme cihazının dikeylikten gerçek sapmasını verir.
- Kapı aralığının yüksekliğini ölçün.

İzin verilen maksimum sapma şu şekilde hesaplanır:
Kapı aralığı yüksekliğinin iki katı $\times 0,4$ mm/m
Örnek: Kapı aralığı yüksekliği 2 m ise, maksimum sapma $2 \times 2 \text{ m} \times \pm 0,4 \text{ mm/m} = \pm 1,6$ mm olmalıdır. Nokta III ve IV birbirinden en fazla 1,6 mm ayrı olmalıdır.

Çalışırken dikkat edilecek hususlar

- İşaretleme yaparken daima lazer çizgisinin ortasını kullanın. Lazer çizgisinin genişliği mesafe ile birlikte artar.

Tutucu düzeneği LB 10 ile çalışma (Aksesuar) (Bakınız: Resimler D-G)

Tutucu düzeneği (10) yardımcı ile ölçüm aletini dikey yüzeylere veya manyetik etkiye açık malzemelere sabitleyebilirsiniz. Tavan kısıkaçı (14) ile birlikte, ölçüm aletinin yüksekliği de ayarlanabilir.

Ölçüm aletini, 1/4" tripod girişi (7) ve 1/4" vida (12) ile tutucu düzeneğine yerleştirin ve sıkıca vidalayın.

Tutucu düzeneği (10) için sabitleme seçenekleri:

- Ahşap üzerindeki vida deliğinden (13) standart bir tespit vidasıyla (Bakınız: Resim E),
- Mıknatıslanabilir malzemelerde mıknatıslarla (11) (Bakınız: Resim F)
- Tavan kısıkaçıyla (14) tavan çıtalarına (Bakınız: Resim G).

- Aksesuarı yüzeylere sabitlerken parmaklarınızı manyetik aksesuarın arka tarafından uzak tutun. Mıknatısların yüksek çekme kuvveti nedeniyle parmaklarınız sıkışabilir.

Ölçüm aletini açmadan önce tutucu düzeneğini (10) kabaca hizalayın.

Lazer hedef tahtası ile çalışma (aksesuar)

Lazer hedef tablası (16) elverişsiz koşullarda ve uzak mesafelerde lazer ışınının görünürlüğünü iyileştirir.

Lazer hedef tahtasının (16) yansıma yapan yüzeyi lazer çizgisinin görünürlüğünü iyileştirir, saydam yüzeyi ise lazer çizgisinin hedef tablasının arkasında da görünmesine olanak sağlar.

Tripod ile çalışma (aksesuar)

Tripod stabil ve yüksekliği ayarlanabilir bir ölçme zemini sağlar. Ölçüm aletinin 1/4" tripod girişini (7) tripodun (17) dişli yuvasına veya piyasada bulunan bir fotoğraf tripodunun yuvasına takın. Ölçüm aletini tripodun sabitleme vidası ile sıkıca vidalayın.

Ölçme cihazını açmadan önce tripodu kabaca doğrultun.

Çok amaçlı tutucu (aksesuar) ile sabitleme

Universal tutucu düzeneği (15) yardımcı ile ölçme cihazını örneğin dikey yüzeylere veya mıknatıslanabilir malzemeye sabitleyebilirsiniz. Universal tutucu düzeneği zemin tripodu olarak da kullanılmaya uygundur ve ölçüm aletinin yüksekliğinin ayarlanmasına olanak sağlar.

Ölçme cihazını açmadan önce çok amaçlı sabitleme aparatını (15) kabaca ayarlayın.

Lazer gözlüğü (aksesuar)

Lazer gözlüğü ortam ışığını filtre eder. Bu nedenle lazer ışığı göze daha parlak gelir.

- Lazer gözlüğünü (aksesuar) koruyucu gözlük olarak kullanmayın. Lazer gözlüğü lazer ışınının daha iyi görülmesini sağlar, ancak lazer ışınına karşı koruma sağlamaz.

- Lazer gözlüğünü (aksesuar) güneş gözlüğü olarak veya trafikte kullanmayın. Lazer gözlüğü kızılötesi ışınlar karşı tam bir koruma sağlamaz ve renk algılamada performansını düşürür.

İş örnekleri (Bakınız: resimler H-K)

Ölçme cihazının uygulama örnekleri için grafik sayfalarına bakın.

Bakım ve servis**Bakım ve temizlik**

Ölçme cihazını her zaman temiz tutun.

Ölçme cihazını suya veya başka sıvılar içine daldırmayın.

Kirli nemli, yumuşak bir bezle silin. Deterjan veya çözücü madde kullanmayın.

Özellikle çıkış deliği yakınındaki yüzeyi düzenli aralıklarla temizleyin ve bunu yaparken tüylenme olmamasına dikkat edin.

Ölçüm aletini sadece koruma çantası (20) içinde saklayın ve taşıyın.

Onarım gerektiğinde ölçme cihazını koruyucu çanta (20) içinde gönderin.

Müşteri servisi ve uygulama danışmanlığı

Müşteri servisleri ürününüzün onarım ve bakımı ile yedek parçalarına ait sorularınızı yanıtladılır. Tehlike işaretlerini ve yedek parçalara ait bilgileri şu sayfada da bulabilirsiniz:

www.bosch-pt.com

Bosch uygulama danışma ekibi ürünlerimiz ve aksesuarları hakkındaki sorularınızda sizlere memnuniyetle yardımcı olur.

Bütün başvuru ve yedek parça siparişlerinizde ürünün tip etiketi üzerindeki 10 haneli malzeme numarasını mutlaka belirtin.

Türkçe

Marmara Elektrikli El Aletleri Servis Hizmetleri Sanayi ve Ticaret Ltd. Şti.

Tersane cd. Zencefil Sok.No:6 Karaköy

Beyoğlu / İstanbul

Tel.: +90 212 2974320

Fax: +90 212 2507200

E-mail: info@marmarabps.com

Bağrıçıklar Oto Elektrik

Motorlu Sanayi Çarşısı Doğruer Sk. No:9

Selçuklu / Konya

Tel.: +90 332 2354576

Tel.: +90 332 2331952

Fax: +90 332 2363492

E-mail: bagriaciklarotoelektrik@gmail.com

Akgül Motor Bobinaj San. Ve Tic. Ltd. Şti

Alaaddinbey Mahallesi 637. Sokak No:48/C

Nilüfer / Bursa

Tel.: +90 224 443 54 24

Fax: +90 224 271 00 86

E-mail: info@akgulbobinaj.com

Ankaralı Elektrik

Eski Sanayi Bölgesi 3. Cad. No: 43

Kocasinan / KAYSERİ

Tel.: +90 352 3364216

Tel.: +90 352 3206241

Fax: +90 352 3206242

E-mail: gunay@ankarali.com.tr

Asal Bobinaj

Eski Sanayi Sitesi Barbaros Cad. No: 24/C

Canik / Samsun

Tel.: +90 362 2289090

Fax: +90 362 2289090

E-mail: bpsasalbobinaj@hotmail.com

Aygem Elektrik Makine Sanayi ve Tic. Ltd. Şti.

10021 Sok. No: 11 AOSB

Çiğli / İzmir

Tel.: +90232 3768074

Fax: +90 232 3768075

E-mail: boschservis@aygem.com.tr

Bakırcıoğlu Elektrik Makine Hırdavat İnşaat Nakliyat Sanayi ve Ticaret Ltd. Şti.

Karaağaç Mah. Sümerbank Cad. No:18/4

Merkez / Erzincan

Tel.: +90 446 2230959

Fax: +90 446 2240132

E-mail: bilgi@korfezelektrik.com.tr

Bosch Sanayi ve Ticaret A.Ş.

Elektrikli El Aletleri

Aydınevler Mah. İnönü Cad. No: 20

Küçükyalı Ofis Park A Blok

34854 Maltepe-İstanbul

Tel.: 444 80 10

Fax: +90 216 432 00 82

E-mail: iletisim@bosch.com.tr

www.bosch.com.tr

Bulsan Elektrik

İstanbul Cad. Devrez Sok. İstanbul Çarşısı

No: 48/29 İskitler

Ulus / Ankara

Tel.: +90 312 3415142

Tel.: +90 312 3410302

Fax: +90 312 3410203

E-mail: bulsanbobinaj@gmail.com

Çözüm Bobinaj

Küşet San.Sit.A Blok 11Nolu Cd.No:49/A

Şehitkamil/Gaziantep

Tel.: +90 342 2351507

Fax: +90 342 2351508

E-mail: cozumbobinaj2@hotmail.com

Onarım Bobinaj

Raif Paşa Caddesi Çay Mahallesi No:67

İskenderun / HATAY

Tel.:+90 326 613 75 46

E-mail: onarim_bobinaj31@myonet.com

Faz Makine Bobinaj

Cumhuriyet Mah. Sanayi Sitesi Motor

İşleri Bölümü 663 Sk. No:18

Murat Paşa / Antalya

Tel.: +90 242 3465876

Tel.: +90 242 3462885

Fax: +90 242 3341980

E-mail: info@fazmakina.com.tr

Günüş Otomotiv Elektrik Endüstriyel Yapı Malzemeleri San ve Tic. Ltd. Şti
 Beylikdüzü Sanayi Sit. No: 210
 Beylikdüzü / İstanbul
 Tel.: +90 212 8720066
 Fax: +90 212 8724111
 E-mail: gunsahaelektrik@ttmail.com
 Sezmen Bobinaj Elektrikli El Aletleri İmalatı San ve Tic. Ltd. Şti.
 Ege İş Merkezi 1201/4 Sok. No: 4/B
 Yenişehir / İzmir
 Tel.: +90 232 4571465
 Tel.: +90 232 4584480
 Fax: +90 232 4573719
 E-mail: info@sezmenbobinaj.com.tr
 Üstündağ Bobinaj ve Soğutma Sanayi
 Nusretiye Mah. Boyacılar Aralığı No: 9
 Çorlu / Tekirdağ
 Tel.: +90 282 6512884
 Fax: +90 282 6521966
 E-mail: info@ustundagsogutma.com
 İŞIKLAR ELEKTRİK BOBİNAJ
 Karasoku Mahallesi 28028. Sokak No:20/A
 Merkez / ADANA
 Tel.: +90 322 359 97 10 - 352 13 79
 Fax: +90 322 359 13 23
 E-mail: isiklar@isiklarelektrik.com

Diğer servis adreslerini şurada bulabilirsiniz:

www.bosch-pt.com/serviceaddresses

Tasfiye

Ölçme cihazları, aksesuar ve ambalaj malzemesi çevre dostu tasfiye amacıyla bir geri dönüşüm merkezine yollanmalıdır.



Ölçme cihazını ve bataryaları evsel çöplerin içine atmayın!

Sadece AB ülkeleri için:

2012/19/EU yönetmeliği uyarınca kullanım ömrünü tamamlamış ölçme cihazları ve 2006/66/EC yönetmeliği uyarınca arızalı veya kullanım ömrünü tamamlamış aküler/bataryalar ayrı ayrı toplanmak ve çevre dostu tasfiye için bir geri dönüşüm merkezine yollanmak zorundadır.

Русский

Только для стран Евразийского экономического союза (Таможенного союза)

В состав эксплуатационных документов, предусмотренных изготовителем для продукции, могут входить настоящее руководство по эксплуатации, а также приложения.

Информация о подтверждении соответствия содержится в приложении.

Информация о стране происхождения указана на корпусе изделия и в приложении.

Дата изготовления указана на последней странице обложки Руководства или на корпусе изделия.

Контактная информация относительно импортера содержится на упаковке.

Срок службы изделия

Срок службы изделия составляет 7 лет. Не рекомендуется к эксплуатации по истечении 5 лет хранения с даты изготовления без предварительной проверки (дату изготовления см. на этикетке).

Перечень критических отказов и ошибочные действия персонала или пользователя

- не использовать при появлении дыма непосредственно из корпуса изделия
- не использовать на открытом пространстве во время дождя (в распыляемой воде)
- не включать при попадании воды в корпус

Критерии предельных состояний

- поврежден корпус изделия

Тип и периодичность технического обслуживания

Рекомендуется очистить инструмент от пыли после каждого использования.

Хранение

- необходимо хранить в сухом месте
- необходимо хранить вдали от источников повышенных температур и воздействия солнечных лучей
- при хранении необходимо избегать резкого перепада температур
- если инструмент поставляется в мягкой сумке или пластиковом кейсе рекомендуется хранить инструмент в этой защитной упаковке
- подробные требования к условиям хранения смотрите в ГОСТ 15150-69 (Условие 1)

Транспортировка

- категорически не допускается падение и любые механические воздействия на упаковку при транспортировке
- при разгрузке/погрузке не допускается использование любого вида техники, работающей по принципу зажима упаковки
- подробные требования к условиям транспортировки смотрите в ГОСТ 15150-69 (Условие 5)

Указания по технике безопасности



Для обеспечения безопасной и надежной работы с измерительным инструментом должны быть прочитаны и соблюдены все инструкции. Использование измерительного инструмента не в соответствии с настоящими указаниями чревато повреждением интегрированных защитных механизмов. Никогда не изменяйте до

неузнаваемости предупредительные таблички на измерительном инструменте. **ХОРОШО СОХРАНИТЕ ЭТИ ИНСТРУКЦИИ И ПЕРЕДАВАЙТЕ ИХ ВМЕСТЕ С ПЕРЕДАЧЕЙ ИЗМЕРИТЕЛЬНОГО ИНСТРУМЕНТА.**

- ▶ **Осторожно** – применение инструментов для обслуживания или юстировки или процедур техобслуживания, кроме указанных здесь, может привести к опасному воздействию излучения.
- ▶ Измерительный инструмент поставляется с предупредительной табличкой лазерного излучения (показана на странице с изображением измерительного инструмента).
- ▶ Если текст предупредительной таблички лазерного излучения не на Вашем родном языке, перед первым запуском в эксплуатацию заклейте ее наклейкой на Вашем родном языке, которая входит в объем поставки.



Не направляйте луч лазера на людей или животных и сами не смотрите на прямой или отражаемый луч лазера. Этот луч может слепить людей, стать причиной несчастного случая или повредить глаза.

- ▶ В случае попадания лазерного луча в глаз глаза нужно намеренно закрыть и немедленно отвернуться от луча.
- ▶ Не меняйте ничего в лазерном устройстве.
- ▶ Не используйте очки для работы с лазерным инструментом (принадлежность) в качестве защитных очков. Очки для работы с лазерным инструментом обеспечивают лучшее распознавание лазерного луча, но не защищают от лазерного излучения.
- ▶ Не используйте очки для работы с лазерным инструментом (принадлежность) в качестве солнцезащитных очков или за рулем. Очки для работы с лазером не обеспечивают защиту от УФ-излучения и мешают правильному цветовосприятию.
- ▶ Ремонт измерительного инструмента разрешается выполнять только квалифицированному персоналу и только с использованием оригинальных запчастей. Этим обеспечивается безопасность измерительного инструмента.
- ▶ Не позволяйте детям пользоваться лазерным измерительным инструментом без присмотра. Дети могут по неосторожности ослепить себя или посторонних людей.
- ▶ Не работайте с измерительным инструментом во взрывоопасной среде, поблизости от горючих жидкостей, газов и пыли. В измерительном инструменте могут образоваться искры, от которых может воспламениться пыль или пары.



Не устанавливайте магнитные принадлежности вблизи имплантатов и прочих медицинских аппаратов, напр., кардиостимуляторов и инсулиновых насосов. Находящиеся в принадлежностях магниты создают магнитное поле, которое может оказы-

вать влияние на работу имплантатов и медицинских аппаратов.

- ▶ **Держите магнитные принадлежности вдали от магнитных носителей данных и от приборов, чувствительных к магнитному полю.** Воздействие магнитов принадлежности может приводить к невосполнимой потере данных.

Описание продукта и услуг

Пожалуйста, соблюдайте иллюстрации в начале руководства по эксплуатации.

Применение по назначению

Настоящий измерительный прибор предназначен для построения и контроля горизонтальных и вертикальных линий.

Измерительный инструмент пригоден для работы внутри помещений и на открытом воздухе.

Изображенные составные части

Нумерация представленных составных частей выполнена по изображению измерительного инструмента на странице с иллюстрациями.

- (1) Отверстие для выхода лазерного луча
- (2) Выключатель
- (3) Индикатор заряженности батарей
- (4) Кнопка выбора режима работы лазера **Mode**
- (5) Предупредительная табличка лазерного излучения
- (6) Серийный номер
- (7) Гнездо под штатив 1/4"
- (8) Фиксатор крышки батарейного отсека
- (9) Крышка батарейного отсека
- (10) Держатель (LB 10)^{a)}
- (11) Магнит^{a)}
- (12) Винт 1/4" держателя^{a)}
- (13) Отверстие под винт в держателе^{a)}
- (14) Потолочный кронштейн (DK 10)^{a)}
- (15) Универсальное крепление (BM 1)^{a)}
- (16) Визирная марка для лазерного луча^{a)}
- (17) Штатив (BT 150)^{a)}
- (18) Телескопический шест (BT 350)^{a)}
- (19) Очки для работы с лазерным инструментом^{a)}
- (20) Защитный чехол^{a)}

a) **Изображенные или описанные принадлежности не входят в стандартный объем поставки. Полный ассортимент принадлежностей Вы найдете в нашей программе принадлежностей.**

Технические данные

Линейный лазерный нивелир	GLL 2-20 G
Товарный номер	3 601 K65 ...
Рабочий диапазон (радиус) ^{A)}	10 м
Точность нивелирования ^{B)C)D)}	±0,4 мм/м
Диапазон самонивелирования	±4°
Время нивелирования	< 4 с
Рабочая температура	-5 °C ... +40 °C
Температура хранения	-20 °C ... +70 °C
Макс. высота применения над реперной высотой	2000 м
Относительная влажность воздуха не более	90 %
Степень загрязненности согласно IEC 61010-1	2 ^{E)}
Класс лазера	2
Тип лазера	< 10 мВт, 500–540 нм
C ₆	10
Расхождение	30 × 20 мрад (полный угол)
Гнездо под штатив	1/4"
Батарейки	4 × 1,5 В LR6 (AA)
Продолжительность работы (в режиме перекрестных линий) ^{B)}	5 ч
Масса согласно EPTA-Procedure 01:2014	0,62 кг
Размеры (длина × ширина × высота)	111 × 72 × 119 мм
Степень защиты	IP 64

A) Рабочий диапазон может уменьшаться вследствие неблагоприятных окружающих условий (напр., прямые солнечные лучи).

B) при 20–25 °C

C) Для указанных значений условия окружающей среды должны быть в диапазоне от нормальных до благоприятных (напр., отсутствие вибрации, отсутствие тумана, отсутствие дыма, отсутствие прямых солнечных лучей). После сильных перепадов температуры возможны отклонения в точности.

D) действительно в точке пересечения и на углах 90°/180°/270°

E) Обычно присутствует только непроводящее загрязнение. Однако, как правило, возникает временная проводимость, вызванная конденсацией.

Однозначная идентификация измерительного инструмента возможна по серийному номеру (6) на заводской табличке.

Сборка**Вставка/замена батареек**

В измерительном инструменте рекомендуется использовать щелочно-марганцевые батарейки.

Чтобы открыть крышку батарейного отсека (9), отожмите фиксатор (8) вверх и снимите крышку батарейного отсека. Вставьте батарейки.

Следите при этом за правильным направлением полюсов в соответствии с изображением с внутренней стороны батарейного отсека.

Индикатор заряженности батарей (3) всегда отражает текущее состояние батареи.

Если батарейки почти сели, индикатор заряженности батарей (3) продолжительно мигает. Лазерные линии мигают каждые 5 мин. в течение 5 с.

Если батареи сели, лазерные линии и индикатор заряженности батарей мигают еще один раз перед отключением измерительного инструмента.

Меняйте сразу все батарейки одновременно. Используйте только батарейки одного производителя и одинаковой емкости.

► **Извлекайте батарейки из измерительного инструмента, если продолжительное время не будете работать с ним.** При длительном хранении в измерительном инструменте возможна коррозия и саморазрядка батареек.

Работа с инструментом**Включение инструмента**

► **Защищайте измерительный инструмент от влаги и прямых солнечных лучей.**

► **Не подвергайте измерительный инструмент воздействию экстремальных температур и температурных перепадов.** Например, не оставляйте его на длительное время в автомобиле. При значительных колебаниях температуры сначала дайте температуре измерительного инструмента стабилизироваться, и прежде чем продолжать работать с инструментом, всегда проверяйте его точность (см. „Контроль точности измерительного инструмента“, Страница 36). Экстремальные температуры и температурные перепады могут отрицательно влиять на точность измерительного инструмента.

► **Избегайте сильных толчков и падения измерительного инструмента.** После сильных внешних воздействий на измерительный инструмент рекомендуется проверить его точность, прежде чем продолжать работать с инструментом (см. „Контроль точности измерительного инструмента“, Страница 36).

► **При транспортировке выключайте измерительный инструмент.** При выключении блокируется маятниковый механизм, который иначе при сильных движениях может быть поврежден.

Включение/выключение

Чтобы **включить** измерительный инструмент, перевинтите выключатель (2) в положение **ON**. Сразу же после включения измерительный инструмент проецирует лазерные лучи из отверстий для выхода лазерного луча (1).

- ▶ **Не направляйте лазерный луч на людей или животных и не смотрите сами в лазерный луч, в том числе и с большого расстояния.**

Чтобы **выключить** измерительный инструмент, передвиньте выключатель **(2)** в положение **OFF**. При выключении маятниковый механизм блокируется.

- ▶ **Не оставляйте измерительный инструмент без присмотра и выключайте измерительный инструмент после использования.** Другие лица могут быть ослеплены лазерным лучом.

Автоматическое отключение

Если в течение прибл. **120 мин.** на измерительном инструменте не будет нажиматься никаких кнопок, измерительный инструмент с целью экономии батарей автоматически выключается.

Чтобы снова включить измерительный инструмент после автоматического выключения, можно либо передвинуть выключатель **(2)** сначала в положение «**OFF**», а затем снова включить измерительный инструмент, либо один раз нажать кнопку выбора режима работы лазера **(4)**.

Чтобы деактивировать автоматическое отключение, при включенном измерительном инструменте держите кнопку режима работы лазера **(4)** нажатой не менее 3 с. Если автоматическое отключение отключено, лазерные лучи коротко мигают для подтверждения.

Чтобы активировать автоматическое выключение, выключите измерительный инструмент и снова включите его.

Режимы работы

Измерительный инструмент имеет несколько режимов работы, которые можно переключать в любой момент:

- Режим перекрестных линий (см. рис. **A**): проецируются горизонтальная лазерная плоскость и одна вертикальная лазерная линия вперед;
- Горизонтальный режим (см. рис. **B**): проецируется одна горизонтальная лазерная плоскость;
- Вертикальный режим (см. рис. **C**): проецируется одна вертикальная лазерная линия вперед.

Чтобы сменить режим, нажимайте на кнопку выбора режима работы лазера **(4)**, пока лазерные лучи не перейдут в требуемый рабочий режим.

Все режимы работы возможны как с автоматическим нивелированием, так и с функцией наклона.

Автоматическое нивелирование

Измерительный инструмент постоянно отслеживает положение во время работы. При нахождении в диапазоне самонивелирования $\pm 4^\circ$ инструмент выполняет автоматическое нивелирование. За пределами диапазона самонивелирования автоматически включается функция наклона.

Работа с автоматическим нивелированием (см. рис. **A–C**)

Установите измерительный инструмент на прочное горизонтальное основание или закрепите его на держателе **(10)** или на штативе **(17)**.

Функция автоматического нивелирования компенсирует неровности в рамках диапазона самонивелирования $\pm 4^\circ$. Измерительный инструмент нивелирован, как только лазерные лучи начинают непрерывно светиться.

Если автоматическое нивелирование невозможно, например, т.к. поверхность, на которой установлен измерительный инструмент, отличается от горизонтали более чем на 4° , лазерные линии мигают сначала 2 с в быстром темпе. Затем лазерные линии загораются на 5 с, после чего они мигают несколько раз каждые 5 с в быстром темпе. На измерительном инструменте включена функция наклона.

Для продолжения работы с функцией автоматического нивелирования, установите измерительный инструмент горизонтально и подождите окончания автоматического самонивелирования. После того, как измерительный инструмент войдет в диапазон автоматического нивелирования $\pm 4^\circ$, лазерные лучи начинают непрерывно светиться.

При сотрясениях или изменениях положения во время работы измерительный инструмент автоматически самонивелируется. После нивелирования проверьте положение лазерных лучей по отношению к реперным точкам, чтобы избежать ошибок в результате смещения измерительного инструмента.

Работа с функцией наклона (см. рис. **K**)

Поставьте измерительный инструмент на наклонное основание. При работе с включенной функцией наклона лазерные линии сначала мигают в быстром темпе 2 с. Затем лазерные линии загораются на 5 с, после чего они мигают несколько раз каждые 5 с в быстром темпе.

При работе с включенной функцией наклона лазерные линии больше не нивелируются и не обязательно образуют перпендикуляр.

Контроль точности измерительного инструмента

Факторы, влияющие на точность

Наибольшее влияние на точность оказывает окружающая температура. В особенности температурные перепады, имеющие место по мере удаления от почвы, могут стать причиной отклонения лазерного луча.

Поскольку самые большие температурные перепады наблюдаются рядом с поверхностью почвы, измерительный инструмент необходимо по возможности устанавливать на штатив по центру проверяемой рабочей поверхности.

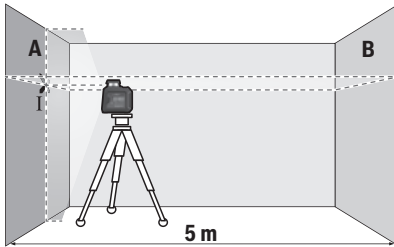
Наряду с внешними воздействиями, специфические для инструмента воздействия (напр., падения или сильные удары) также могут приводить к отклонениям. Поэтому всегда перед началом работы проверяйте точность нивелирования.

Если во время одной из проверок измерительный инструмент превысит максимально допустимое отклонение, отдайте его в ремонт в сервисную мастерскую **Bosch**.

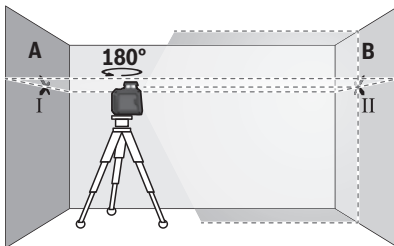
Проверка точности горизонтальной линии по высоте

Для контроля необходим свободный отрезок **5 м** на прочном грунте между стенами А и В.

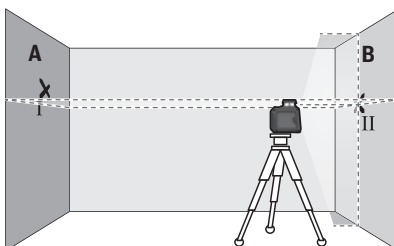
- Закрепите измерительный инструмент вблизи стены А на штативе или установите его на прочное, плоское основание. Включите измерительный инструмент и выберите режим перекрестных линий.



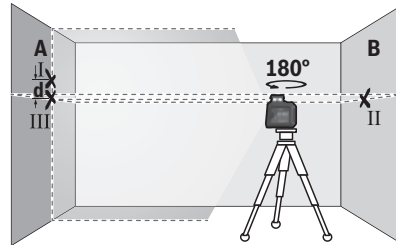
- Направьте лазер на ближнюю стену А и дайте измерительному инструменту нивелироваться. Отметьте середину точки, в которой лазерные линии пересекаются на стене (точка I).



- Поверните измерительный инструмент на 180° , подождите, пока он не произведет самонивелирование, и отметьте точку пересечения лазерных линий на противоположной стене В (точка II).
- Установите измерительный инструмент – не поворачивая его – вблизи стены В, включите его и дайте ему время нивелироваться.



- Настройте измерительный инструмент по высоте (с помощью штатива или подкладок) так, чтобы точка пересечения лазерных линий точно совпала с ранее отмеченной точкой II на стене В.



- Поверните измерительный инструмент на 180° , не изменяя высоты. Направьте инструмент на стену А так, чтобы вертикальная лазерная линия проходила через уже отмеченную точку I. Подождите, пока инструмент не закончит самонивелирование, и отметьте точку пересечения лазерных линий на стене А (точка III).
- Расстояние **d** между двумя обозначенными точками I и III на стене А отражает фактическое отклонение измерительного инструмента по высоте.

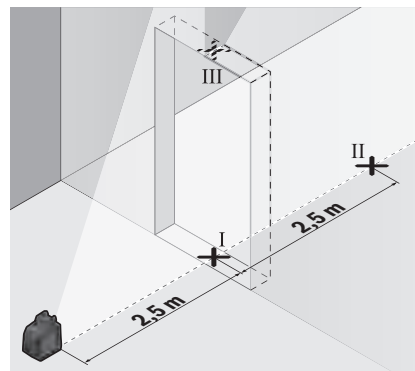
На участке $2 \times 5 \text{ м} = 10 \text{ м}$ максимально допустимое отклонение составляет:

$10 \text{ м} \times \pm 0,4 \text{ мм/м} = \pm 4 \text{ мм}$. Таким образом, расстояние **d** между точками I и III не должно превышать макс. **4 мм**.

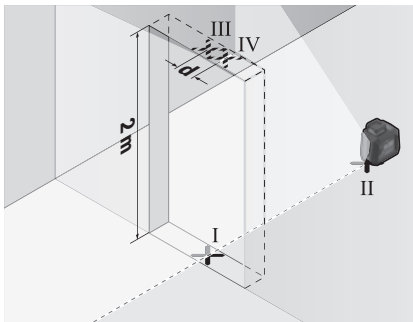
Проверка точности нивелирования вертикальной линии

Для проверки Вам требуется проем двери, в обе стороны от которого (на прочном полу) есть свободное пространство длиной не менее 2,5 м.

- Установите измерительный инструмент на расстоянии 2,5 м от дверного проема на прочное, ровное основание (не на штатив). Включите измерительный инструмент и выберите режим вертикальных линий. Направьте лазерную линию на дверной проем и дайте измерительному инструменту самонивелироваться.



- Отметьте середину вертикальной линии на полу в проеме двери (точка I), на расстоянии в 5 м с другой стороны проема двери (точка II), а также по верхнему краю проема двери (точка III).



- Поверните измерительный инструмент на 180° и поставьте его по другую сторону дверного проема прямо позади точки II. Дайте измерительному прибору самонивелироваться и направьте его вертикальные лазерные лучи так, чтобы их середины проходили точно через точки I и II.
- Пометьте середину лазерного луча на верхнем крае дверного проема как точку IV.
- Расстояние d между двумя обозначенными точками III и IV отображает фактическое отклонение измерительного инструмента от вертикали.
- Измерьте высоту проема двери.

Максимально допустимое отклонение рассчитывается следующим образом:

двойная высота дверного проема $\times 0,4$ мм/м

Пример: при высоте дверного проема в 2 м максимальное отклонение может составлять $2 \times 2 \text{ м} \times \pm 0,4 \text{ мм/м} = \pm 1,6 \text{ мм}$. Точки III и IV должны находиться при обоих измерениях на расстоянии максимум 1,6 мм друг от друга.

Указания по применению

- ▶ **Используйте всегда только середину лазерной линии для отметки.** Ширина лазерной линии изменяется по мере удаления.

Работа с держателем LB 10 (принадлежность) (см. рис. D–G)

Держатель (10) позволяет закрепить измерительный инструмент на вертикальных поверхностях или магнитных материалах. При использовании с потолочным кронштейном (14) измерительный инструмент также можно регулировать по высоте.

Насадите измерительный инструмент гнездом под штатив 1/4" (7) на винт 1/4" (12) держателя и завинтите до упора.

Вариант монтажа держателя (10):

- С помощью обычного крепежного винта, вставленного в отверстие под винт (13) на стене из древесного материала (см. рис. E),
- С помощью магнитов (11) на поверхностях из магнитных материалов (см. рис. F),
- С помощью потолочного кронштейна (14) на потолочных рейках (см. рис. G).

▶ **При фиксации принадлежности к поверхностям держите пальцы вдали от задней части магнитной принадлежности.** В результате сильного магнитного притяжения может произойти защемление пальцев.

Выверните держатель на глаз (10) перед включением измерительного инструмента.

Работы с визирной маркой (принадлежность)

Визирная марка (16) улучшает видимость лазерного луча при неблагоприятных условиях и на больших расстояниях.

Отражающая поверхность визирной марки (16) улучшает видимость лазерной линии, на прозрачной поверхности лазерную линию также видно с тыльной стороны визирной марки.

Работа со штативом (принадлежность)

Штатив обеспечивает стабильную, регулируемую по высоте опору для измерений. Поставьте измерительный инструмент гнездом под штатив 1/4" (7) на резьбу штатива (17) или обычного фотоштатива. Зафиксируйте измерительный инструмент с помощью крепежного винта штатива.

Предварительно выровняйте штатив, прежде чем включать измерительный инструмент.

Фиксация с помощью универсального крепления (принадлежность)

С помощью универсального крепления (15) можно закрепить измерительный инструмент, например, на вертикальных поверхностях или на поверхностях из магнитных материалов. Универсальное крепление можно также использовать в качестве подставки. Оно облегчает выравнивание инструмента по высоте.

Предварительно выровняйте универсальное крепление (15), прежде чем включать измерительный инструмент.

Очки для работы с лазерным инструментом (принадлежность)

Лазерные очки фильтруют окружающий свет. Поэтому свет лазера кажется более ярким для зрительного восприятия.

- ▶ **Не используйте очки для работы с лазерным инструментом (принадлежность) в качестве защитных очков.** Очки для работы с лазерным инструментом обеспечивают лучшее распознавание лазерного луча, но не защищают от лазерного излучения.
- ▶ **Не используйте очки для работы с лазерным инструментом (принадлежность) в качестве солнцезащитных очков или за рулем.** Очки для работы с

лазером не обеспечивают защиту от УФ-излучения и мешают правильному цветоприятию.

Примеры возможных видов работы (см. рис. Н-К)

Примеры возможных применений измерительного инструмента приведены на страницах с рисунками.

Техобслуживание и сервис

Техобслуживание и очистка

Содержите измерительный инструмент постоянно в чистоте.

Никогда не погружайте измерительный инструмент в воду или другие жидкости.

Вытирайте загрязнения сухой и мягкой тряпкой. Не используйте какие-либо чистящие средства или растворители.

Очищайте регулярно особенно поверхности у выходного отверстия лазера и следите при этом за отсутствием ворсинок.

Обязательно храните и транспортируйте измерительный инструмент в защитной сумке (20).

На ремонт отправляйте измерительный инструмент в защитном чехле (20).

Сервис и консультирование по вопросам применения

Сервисный отдел ответит на все Ваши вопросы по ремонту и обслуживанию Вашего продукта, а также по запчастям. Изображения с пространственным разделением деталей и информацию по запчастям можно посмотреть также по адресу: www.bosch-pt.com

Коллектив сотрудников Bosch, предоставляющий консультации на предмет использования продукции, с удовольствием ответит на все Ваши вопросы относительно нашей продукции и ее принадлежностей.

Пожалуйста, во всех запросах и заказах запчастей обязательно указывайте 10-значный товарный номер по заводской табличке изделия.

Для региона: Россия, Беларусь, Казахстан, Украина

Гарантийное обслуживание и ремонт электроинструмента, с соблюдением требований и норм изготовителя производится на территории всех стран только в фирменных или авторизованных сервисных центрах «Роберт Бош». **ПРЕДУПРЕЖДЕНИЕ!** Использование контрафактной продукции опасно в эксплуатации, может привести к ущербу для Вашего здоровья. Изготовление и распространение контрафактной продукции преследуется по Закону в административном и уголовном порядке.

Россия

Уполномоченная изготовителем организация:
ООО «Роберт Бош» Вашутинское шоссе, вл. 24
141400, г. Химки, Московская обл.
Тел.: +7 800 100 8007
E-Mail: info.powertools@ru.bosch.com
www.bosch-pt.ru

Дополнительные адреса сервисных центров вы найдете по ссылке:

www.bosch-pt.com/serviceaddresses

Утилизация

Отслужившие свой срок измерительные инструменты, принадлежности и упаковку следует сдавать на экологически чистую рекуперацию отходов.



Не выбрасывайте измерительные инструменты и батарейки в бытовой мусор!

Только для стран-членов ЕС:

В соответствии с европейской директивой 2012/19/EU негодные измерительные прибор и в соответствии с европейской директивой 2006/66/ЕС негодные или отслужившие свой срок аккумуляторные батареи/батарейки должны собираться раздельно и сдаваться на экологически чистую рекуперацию.

Українська

Вказівки з техніки безпеки



Прочитайте всі вказівки і дотримуйтеся їх, щоб працювати з вимірювальним інструментом безпечно та надійно. Використання вимірювального інструмента без дотримання цих інструкцій може призвести до пошкодження інтегрованих захисних механізмів. Ніколи не доводьте попереджувальні таблички на вимірювальному інструменті до невпізнаності. **ДОБРЕ ЗБЕРІГАЙТЕ ЦІ ІНСТРУКЦІ І ПЕРЕДАВАЙТЕ ЇХ РАЗОМ З ПЕРЕДАЧЕЮ ВИМІРЮВАЛЬНОГО ІНСТРУМЕНТУ.**

- ▶ **Обережно** – використання засобів обслуговування і настроювання, що відрізняються від зазначених в цій інструкції, або використання дозволених засобів у недозволений спосіб, може призводити до небезпечного впливу випромінювання.
- ▶ Вимірювальний інструмент постачається з попереджувальною табличкою лазерного випромінювання (вона позначена на зображенні вимірювального інструмента на сторінці з малюнком).
- ▶ Якщо текст попереджувальної таблички лазерного випромінювання написаний не мовою Вашої країни, перед першим запуском в експлуатацію заклейте її наклейкою на мові Вашої країни, що входить у комплект постачання.



Не направляйте лазерний промінь на людей або тварин, і самі не дивіться на прямий або відображений лазерний промінь. Він може засліпити інших людей,

спричинити нещасні випадки або пошкодити очі.

- ▶ У разі потрапляння лазерного променя в око, навмисне заплітьте очі і відразу відверніться від променя.
- ▶ Нічого не міняйте в лазерному пристрої.
- ▶ Не використовуйте окуляри для роботи з лазером (приладдя) як захисні окуляри. Окуляри для роботи з лазером забезпечують краще розпізнавання лазерного променя, однак не захищають від лазерного випромінювання.
- ▶ Не використовуйте окуляри для роботи з лазером (приладдя) як сонцезахисні окуляри та не вдягайте їх, коли ви знаходитесь за кермом. Окуляри для роботи з лазером не забезпечують повний захист від УФ променів та погіршують розпізнавання кольорів.
- ▶ Віддавайте вимірювальний інструмент на ремонт лише кваліфікованим фахівцям та лише з використанням оригінальних запчастин. Тільки за таких умов Ваш вимірювальний прилад і надалі буде залишатися безпечним.
- ▶ Не дозволяйте дітям використовувати лазерний вимірювальний інструмент без нагляду. Діти можуть ненавмисне зазіпняти себе чи інших людей.
- ▶ Не працюйте з вимірювальним інструментом у середовищі, де існує небезпека вибуху внаслідок присутності горючих рідин, газів або пилу. У вимірювальному приладі можуть утворюватися іскри, від яких може займатися пил або пари.



Не встановлюйте магнітне приладдя поблизу імплантів і інших медичних апаратів, напр., кардіостимуляторів і інсулінових помп. Магніти приладдя створюють поле, яке може негативно впливати на функціональну здатність імплантів і інсулінових помп.

- ▶ Тримайте магнітне приладдя на відстані від магнітних носіїв даних і чутливих до магнітних полів приладів. Вплив магнітів приладдя може призвести до необоротної втрати даних.

Опис продукту і послуг

Будь ласка, дотримуйтеся ілюстрацій на початку інструкції з експлуатації.

Призначення приладу

Вимірювальний прилад призначений для утворення і перевірки горизонтальних і вертикальних ліній.

Вимірювальний прилад придатний для робіт всередині приміщень та надворі.

Зображені компоненти

Нумерація зображених компонентів посилається на зображення вимірювального приладу на сторінці з малюнком.

- (1) Вихідний отвір для лазерного променя
- (2) Вимикач
- (3) Індикатор зарядженості батарейок
- (4) Кнопка режиму роботи лазера **Mode**
- (5) Попереджувальна табличка для роботи з лазером
- (6) Серійний номер
- (7) Гніздо під штатив 1/4"
- (8) Фіксатор секції для батарейок
- (9) Кришка секції для батарейок
- (10) Кріплення (LB 10)^{a)}
- (11) Магніт^{a)}
- (12) Гвинт 1/4" кріплення^{a)}
- (13) Отвір під гвинт у кріпленні^{a)}
- (14) Стельова скоба (DK 10)^{a)}
- (15) Універсальне кріплення (BM 1)^{a)}
- (16) Візирний щит^{a)}
- (17) Штатив (BT 150)^{a)}
- (18) Телескопічна штанга (BT 350)^{a)}
- (19) Окуляри для роботи з лазером^{a)}
- (20) Захисна сумка^{a)}

a) Зображене або описане приладдя не входить в стандартний обсяг поставки. Повний асортимент приладдя Ви знайдете в нашій програмі приладдя.

Технічні дані

Лінійний лазер	GLL 2-20 G
Товарний номер	3 601 K65 ...
Робочий діапазон (радіус) ^{A)}	10 м
Точність нівелювання ^{B)C)D)}	±0,4 мм/м
Діапазон автоматичного нівелювання	±4°
Тривалість нівелювання	< 4 с
Робоча температура	-5 °C ... +40 °C
Температура зберігання	-20 °C ... +70 °C
Макс. висота використання над реперною висотою	2000 м
Відносна вологість повітря макс.	90 %
Ступінь забрудненості відповідно до ІЕС 61010-1	2 ^{E)}
Клас лазера	2
Тип лазера	< 10 мВт, 500–540 нм
C ₆	10
Розходження	30 × 20 мрад (повний кут)
Гніздо під штатив	1/4"
Батарейки	4 × 1,5 В LR6 (AA)

Лінійний лазер	GLL 2-20 G
Тривалість роботи (в режимі роботи з перехресними лініями) ^{B)}	5 год
Вага відповідно до EPTA-Procedure 01:2014	0,62 кг
Розміри (довжина x ширина x висота)	111 × 72 × 119 мм
Ступінь захисту	IP 64

- A) Робочий діапазон може зменшуватися внаслідок несприятливих умов (напр., прямі сонячні промені).
- B) при 20–25 °C
- C) Для вказаних значень умов навколишнього середовища повинні бути у діапазоні від нормальних до сприятливих (напр., відсутність вібрації, відсутність туману, відсутність диму, відсутність прямих сонячних променів). Після сильних перепадів температури можливе відхилення у точності.
- D) чинно для точки перетину і у відповідних кутах 90°/180°/270°
- E) Зазвичай присутнє лише непровідне забруднення. Проте, як правило, виникає тимчасова провідність через конденсацію. Однозначна ідентифікація вимірювального інструмента можлива за допомогою серійного номера (6) на заводській таблиці.

Монтаж

Вставлення/заміна батарейок

У вимірювальному інструменті рекомендується використовувати лужно-марганцеві батареї. Щоб відкрити кришку секції для батарейок (9), притисніть фіксатор (8) вгору і зніміть кришку секції для батарейок. Вставте батарейки.

При цьому звертайте увагу на правильну направленість полюсів, як це показано всередині секції для батарейок. Індикатор зарядженості батарейок (3) завжди показує поточний стан батарейок.

Якщо батарейки майже розрядилися, тривало блимає індикатор зарядженості батарейок (3). Лазерні лінії блимають кожні 5 хвилин по 5 с.

Якщо батарейки розряджені, лазерні лінії та індикатор зарядженості батарейок знову блимають, перш ніж вимірювальний інструмент вимкнеться.

Міняйте відразу всі батарейки. Використовуйте лише батарейки одного виробника і з однаковою ємністю.

- ▶ **Виймайте батарейки з вимірювального інструмента, якщо тривалий час не буде користуватися ним.** У разі тривалого зберігання у вимірювальному інструменті батарейки можуть кородувати і саморозряджатися.

Робота

Початок роботи

- ▶ **Захищайте вимірювальний прилад від вологи і сонячних променів.**

- ▶ **Не допускайте впливу на вимірювальний інструмент екстремальних температур або температурних перепадів.** Наприклад, не залишайте його надовго в автомобілі. Після значного перепаду температур дайте температурі вимірювального інструмента стабілізуватися, і перед подальшою роботою завжди перевіряйте точність роботи вимірювального інструмента (див. „Перевірка точності вимірювального інструмента“, Сторінка 42). Екстремальні температури та температурні перепади можуть погіршувати точність вимірювального інструмента.

- ▶ **Уникайте сильних поштовхів і падіння вимірювального інструмента.** Після сильних зовнішніх впливів на вимірювальний інструмент перед подальшою роботою обов'язково завжди перевіряйте точність роботи вимірювального інструмента (див. „Перевірка точності вимірювального інструмента“, Сторінка 42).

- ▶ **Під час транспортування вимикайте вимірювальний інструмент.** При вимкненні приладу маятниковий вузол блокується, щоб запобігти пошкодженню внаслідок сильних поштовхів.

Вмикання/вимикання

Щоб **увімкнути** вимірювальний інструмент, посуньте вимикач (2) у положення **ON**. Одразу після увімкнення вимірювальний інструмент випромінює з вихідних отворів для лазерного променя лазерні промені (1).

- ▶ **Не спрямовуйте лазерний промінь на людей і тварин і не дивіться у лазерний промінь, включаючи і з великої відстані.**

Щоб **вимкнути** вимірювальний інструмент, посуньте вимикач (2) у положення **OFF**. При вимкненні інструмента маятниковий вузол блокується.

- ▶ **Не залишайте увімкнутий вимірювальний інструмент без догляду, після закінчення роботи вимикайте вимірювальний інструмент.** Інші особи можуть бути засліплені лазерним променем.

Автоматичне вимкнення

Якщо протягом прибл. **120** хвил. не натискувати на жодну кнопку на вимірювальному інструменті, інструмент, щоб заощадити акумулятор або батареї, автоматично вимикається.

Щоб знову увімкнути вимірювальний інструмент після автоматичного вимкнення, можна або посунути вимикач (2) спочатку в положення «**OFF**», а потім знову увімкнути вимірювальний інструмент, або натиснути кнопку режиму роботи лазера (4).

Щоб деактивувати автоматичне вимикання, при увімкненому вимірювальному інструменті тримайте кнопку режиму роботи лазера (4) натиснутою принаймні 3 с. Якщо автоматичне вимикання деактивоване, лазерні промені коротко блимають на підтвердження.

Щоб активувати функцію автоматичного вимкнення, вимкніть вимірювальний прилад і знову увімкніть його.

Режими роботи

Вимірювальний прилад має декілька режимів роботи, які можна в будь-який час перемикає:

- Режим перехресних ліній (див. мал. А): інструмент випромінює одну горизонтальну лазерну площину й одну вертикальну лазерну лінію вперед.
- Горизонтальний режим (див. мал. В): інструмент випромінює одну горизонтальну лазерну площину.
- Вертикальний режим (див. мал. С): інструмент випромінює одну вертикальну лазерну лінію вперед.

Щоб змінити режим, натисніть на кнопку режиму роботи лазера (4), поки лазерні промені не випромінюватимуться в потрібному режимі роботи.

Усі режими роботи можливі як з автоматичним нівелюванням, так і з функцією нахилу.

Автоматичне нівелювання

Вимірювальний інструмент стежить за ситуацією увесь час під час роботи. При встановленні у межах діапазону самонівелювання $\pm 4^\circ$ він працює з автоматичним нівелюванням. Поза діапазоном самонівелювання він автоматично перемикається на функцію нахилу.

Роботи у режимі автоматичного нівелювання (див. мал. А–С)

Встановіть вимірювальний інструмент на тверду горизонтальну поверхню, закріпіть його на кріпленні (10) або на штативі (17).

Автоматичне нівелювання автоматично вирівнює нерівності у межах діапазону самонівелювання $\pm 4^\circ$. Якщо лазерні промені тривало світяться, вимірювальний інструмент нівельований.

Якщо автоматичне нівелювання неможливе, напр., якщо поверхня, на якій встановлений вимірювальний інструмент, відрізняється від горизонталі більше ніж на 4° , спочатку лазерні лінії протягом 2 секунд блимають у швидкому темпі. Після цього лазерні лінії блимають 5 секунд, далі — кожні 5 с кілька разів у швидкому темпі. На вимірювальному інструменті встановлена функція нахилу.

Для подальших робіт з автоматичним нівелюванням встановіть вимірювальний інструмент в горизонтальне положення і зачекайте, поки не закінчиться самонівелювання. Щойно вимірювальний інструмент повернеться в діапазон автоматичного нівелювання $\pm 4^\circ$, лазерні промені почнуть безперервно світитися.

При струсах та змінах положення протягом експлуатації вимірювальний інструмент знову автоматично нівелюється. Після нівелювання перевірте положення лазерних променів стосовно реперних точок, щоб запобігти помилкам в результаті зсування вимірювального приладу.

Роботи з функцією нахилу (див. мал. К)

Встановіть вимірювальний інструмент на похилу поверхню. Під час робіт з функцією нахилу лазерні лінії спочатку швидко блимають протягом 2 секунд у

швидкому темпі. Після цього лазерні лінії блимають 5 секунд, далі — кожні 5 с кілька разів у швидкому темпі. З функцією нахилу лазерні лінії більше не нівелюються і не обов'язково проходять перпендикулярно одна до одної.

Перевірка точності вимірювального інструмента

Фактори, що впливають на точність

Найбільший вплив справляє температура зовнішнього середовища. Особливо температурні перепади, що спостерігаються в міру віддалення від ґрунту, можуть спричинити відхилення лазерного променя. Оскільки температурні коливання є найбільшими поблизу ґрунту, по можливості монтуйте вимірювальний інструмент на штативі і встановіть його посередині робочої ділянки.

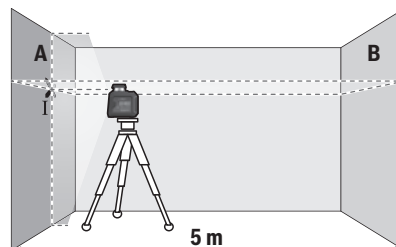
Поряд із зовнішніми умовами також і специфічні для інструменту умови (напр., струси або сильні удари) можуть призводити до відхилень. З цієї причини кожного разу перед початком роботи перевіряйте точність нівелювання.

Якщо під час однієї з перевірок вимірювальний інструмент перевищить максимально допустиме відхилення, його треба віднести на ремонт до майстерні Bosch.

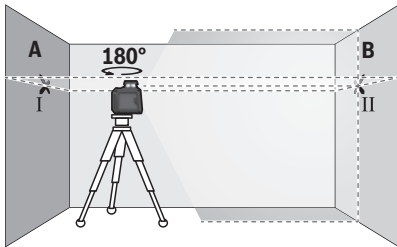
Перевірка точності горизонтальної лінії по висоті

Для перевірки Вам на твердому ґрунті потрібна вільна вимірювальна ділянка довжиною 5 м між двома стінами А і В.

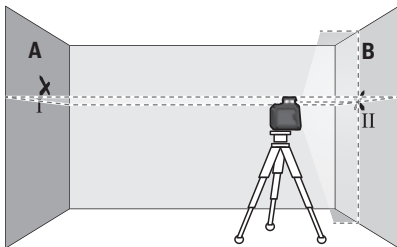
- Встановіть вимірювальний інструмент коло стіни А на штативі або на рівну тверду поверхню. Увімкніть вимірювальний інструмент та оберіть режим роботи з перехресними лініями.



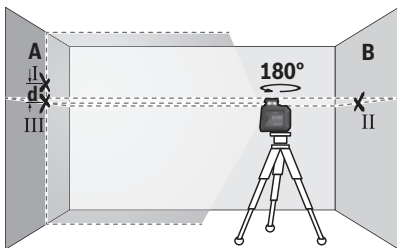
- Спрямуйте лазер на ближчу стіну А та дайте йому нівелюватися. Позначте середину точки, в якій лазерні лінії перехреснюються на стіні (точка І).



- Поверніть вимірювальний прилад на 180° , дайте йому нівелюватися і позначте точку, в якій лазерні лінії перекрещуються на протилежній стіні В (точка II).
- Розташуйте вимірювальний прилад, не повертаючи його, коло стіни В, увімкніть його та дайте йому нівелюватися.



- Вирівняйте вимірювальний інструмент по висоті таким чином (за допомогою штатива або підставивши щонебудь під нього), щоб точка, в якій перекрещуються лазерні лінії, точно потрапила на позначену раніше точку II на стіні В.



- Поверніть вимірювальний прилад на 180° , не змінюючи його висоти. Спрямуйте його на стіну А таким чином, щоб вертикальна лазерна лінія проходила через раніше позначену точку I. Дайте вимірювальному приладу нівелюватися і позначте точку на стіні А, в якій перекрещуються лазерні лінії (точка III).
- Різниця **d** між двома позначеними на стіні А точками I і III – це фактичне відхилення вимірювального інструмента по висоті.

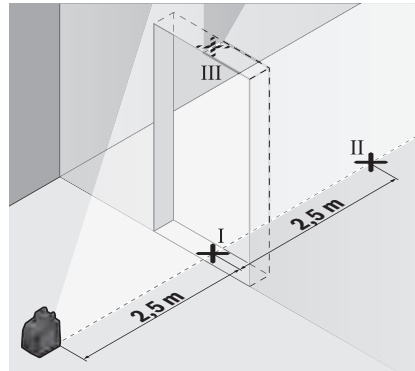
На ділянці $2 \times 5 \text{ м} = 10 \text{ м}$ максимально допустиме відхилення становить:

$10 \text{ м} \times \pm 0,4 \text{ мм/м} = \pm 4 \text{ мм}$. Таким чином, різниця **d** між точками I і III може складати максимум 4 мм.

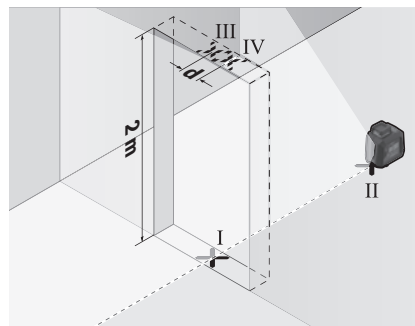
Перевірка точності нівелювання вертикальної лінії

Для перевірки Вам потрібні дверний проріз, в якому з обох боків від дверей є мін. 2,5 м (на твердому ґрунті).

- Встановіть вимірювальний інструмент на відстані 2,5 м від дверного прорізу на рівну тверду поверхню (не на штатив). Увімкніть вимірювальний інструмент та оберіть вертикальний режим. Направте лазерні лінії на дверний проріз і дайте вимірювальному інструменту самонівелюватися.



- Позначте середину вертикальної лазерної лінії на підлозі у дверному прорізі (точка I), на відстані 5 м з іншого боку дверного прорізу (точка II), а також з верхнього краю дверного прорізу (точка III).



- Поверніть вимірювальний прилад на 180° і поставте його з іншого боку дверного прорізу прямо поза точкою II. Дайте вимірювальному приладу нівелюватися і спрямуйте вертикальну лазерну лінію таким чином, щоб її середина проходила точно через точку I і II.
- Позначте середину лазерної лінії на верхньому краї дверного прорізу в якості точки IV.
- Різниця **d** між двома позначеними точками III і IV – це фактичне відхилення вимірювального інструмента від вертикалі.

– Поміряйте висоту дверного прорізу.
Підрахуйте максимально допустиме відхилення наступним чином:
подвійна висота дверного прорізу × 0,4 мм/м
Приклад: При висоті дверного прорізу 2 м максимальне відхилення повинно складати
 $2 \times 2 \text{ м} \times \pm 0,4 \text{ мм/м} = \pm 1,6 \text{ мм}$. Точки III і IV повинні, таким чином, знаходитись на максимальній відстані 1,6 мм одна від одної.

Вказівки щодо роботи

► **Для позначення завжди використовуйте середину лазерної лінії.** Ширина лазерної лінії міняється в залежності від відстані.

Роботи з кріпленням LB 10 (приладдя) (див. мал. D–G)

За допомогою кріплення (10) можна закріпити вимірювальний інструмент на вертикальних поверхнях або матеріалах, що намагнічуються. У поєднанні зі стельовою скобою (14) вимірювальний інструмент можна також вирівняти по висоті.

Помістіть вимірювальний інструмент з гніздом під штатив 1/4" (7) на гвинт кріплення 1/4" (12) і закрутіть його.

Варіанти фіксації кріплення (10):

- За допомогою стандартного кріпильного гвинта через отвір для гвинта (13) у деревині (див. мал. E),
- За допомогою магнітів (11) на матеріалах, що намагнічуються (див. мал. F),
- За допомогою стельової скоби (14) на стельових рейках (див. мал. G).

► **Прикріплюючи приладдя до поверхонь, тримайте пальці подалі від задньої частини магнітного приладдя.** Ваші пальці можуть защемитися внаслідок сильного притягування магнітів.

Вирівняйте кріплення (10), перш ніж вмикати вимірювальний інструмент.

Роботи з візирним щитом (приладдя)

Візирний щит (16) покращує видимість лазерного променя при несприятливих умовах та на великих відстанях.

Поверхня візирного щита (16), що віддзеркалює, покращує видимість лазерної лінії, через прозору поверхню лазерну лінію також видно з тильного боку візирного щита.

Робота зі штативом (приладдя)

Штатив забезпечує стабільну підставку для вимірювання, висоту якої можна регулювати. Поставте вимірювальний інструмент гніздом під штатив 1/4" (7) на різьбу штатива (17) або звичайного фотоштатива. Зафіксуйте вимірювальний інструмент кріпильним гвинтом штатива. Грубо вирівняйте штатив, перш ніж вмикати вимірювальний прилад.

Фіксація за допомогою універсального кріплення (приладдя)

За допомогою універсального кріплення (15) можна закріпити вимірювальний інструмент, наприклад, на вертикальних поверхнях або матеріалах, що намагнічуються. Універсальне кріплення також можна використовувати в якості підставки. Воно полегшує вирівнювання вимірювального інструмента по висоті.

Грубо вирівняйте універсальне кріплення (15), перш ніж вмикати вимірювальний інструмент.

Окуляри для роботи з лазером (приладдя)

Окуляри для роботи з лазером відфільтровують світло зовнішнього середовища. Завдяки цьому світло лазера здається для очей світлішим.

► **Не використовуйте окуляри для роботи з лазером (приладдя) як захисні окуляри.** Окуляри для роботи з лазером забезпечують краще розпізнавання лазерного променя, однак не захищають від лазерного випромінювання.

► **Не використовуйте окуляри для роботи з лазером (приладдя) як сонцезахисні окуляри та не вдягайте їх, коли ви знаходитесь за кермом.** Окуляри для роботи з лазером не забезпечують повний захист від УФ променів та погіршують розпізнавання кольорів.

Приклади роботи (див. мал. H–K)

Приклади для таких можливостей застосування вимірювального приладу Ви знайдете на сторінках з малюнками.

Технічне обслуговування і сервіс

Технічне обслуговування і очищення

Завжди тримайте вимірювальний прилад в чистоті. Не занурюйте вимірювальний прилад у воду або інші рідини.

Витирайте забруднення вологою м'якою ганчіркою. Не використовуйте жодних миючих засобів або розчинників. Зокрема, регулярно прочищайте поверхні коло вихідного отвору лазера і слідкуйте при цьому за тим, щоб не залишалася ворсинка.

Зберігайте і транспортуйте вимірювальний інструмент лише в доданій захисній сумці (20).

Надсилайте вимірювальний прилад на ремонт в захисній сумці (20).

Сервіс і консультації з питань застосування

В сервісній майстерні Ви отримаєте відповідь на Ваші запитання стосовно ремонту і технічного обслуговування Вашого продукту. Малюнки в деталях і інформацію щодо запчастин можна знайти за адресою: www.bosch-pt.com Команда співробітників Bosch з надання консультацій щодо використання продукції із задоволенням відповідь на Ваші запитання стосовно нашої продукції та приладдя до неї.

При всіх додаткових запитаннях та замовленні запчастин, будь ласка, зазначайте 10-значний номер для замовлення, що стоїть на паспортній табличці продукту. Гарантійне обслуговування і ремонт електроінструменту здійснюються відповідно до вимог і норм виготовлювача на території всіх країн лише у фірмових або авторизованих сервісних центрах фірми «Роберт Бош». **ПОПЕРЕДЖЕННЯ!** Використання контрафактної продукції небезпечно в експлуатації і може мати негативні наслідки для здоров'я. Виготовлення і розповсюдження контрафактної продукції переслідується за Законом в адміністративному і кримінальному порядку.

Україна

Бош Сервісний Центр електроінструментів
вул. Країня 1
02660 Київ 60
Тел.: +380 44 490 2407
Факс: +380 44 512 0591
E-Mail: pt-service@ua.bosch.com
www.bosch-professional.com/ua/uk

Адреса Регіональних гарантійних сервісних майстерень за- значена в Національному гарантійному талоні.

Адреси інших сервісних центрів наведено нижче:

www.bosch-pt.com/serviceaddresses

Утилізація

Вимірювальні прилади, приладдя і упаковку треба здавати на екологічно чисту повторну переробку.



Не викидайте вимірювальні інструменти і батареї в побутове сміття!

Лише для країн ЄС:

Відповідно до європейської директиви 2012/19/EU вимірювальні інструменти, що вийшли із вживання, та відповідно до європейської директиви 2006/66/EC пошкоджені або відпрацьовані акумуляторні батареї/батареї повинні здаватися окремо і утилізуватися екологічно чистим способом.

Қазақ

Еуразия экономикалық одағына (Кеден одағына) мүше мемлекеттер аумағында қолданылады

Өндірушінің өнім үшін қарастырған пайдалану құжаттарының құрамында пайдалану жөніндегі осы нұсқаулық, сонымен бірге қосымшалар да болуы мүмкін. Сәйкестікті растау жайлы ақпарат қосымшада бар.

Өнімді өндірген мемлекет туралы ақпарат өнімнің корпусында және қосымшада көрсетілген. Өндірілген мерзімі Нұсқаулық мұқабасының соңғы бетінде және өнім корпусында көрсетілген. Импорттерге қатысты байланыс ақпарат өнім қаптамасында көрсетілген.

Өнімді пайдалану мерзімі

Өнімнің қызмет ету мерзімі 7 жыл. Өндірілген мерзімнен бастап (өндіру күні зауыт тақтайшасында жазылған) істетпей 5 жыл сақтағаннан соң, өнімді тексерусіз (сервистік тексеру) пайдалану ұсынылмайды.

Қызметкер немесе пайдаланушының қателіктері мен істен шығу себептерінің тізімі

- өнім корпусынан тікелей түтін шықса, пайдаланбаңыз
- жауын -шашын кезінде сыртта (далада) пайдаланбаңыз
- корпус ішіне су кірсе құрылғыны қосушы болмаңыз

Шекті күй белгілері

- өнім корпусының зақымдалуы

Қызмет көрсету түрі мен жиілігі

Әр пайдаланудан соң өнімді тазалау ұсынылады.

Сақтау

- құрғақ жерде сақтау керек
- жоғары температура кезінен және күн сәулелерінің әсерінен алыс сақтау керек
- сақтау кезінде температураның кенет ауытқуынан қорғау керек
- егер құрал жұмсақ сөмке немесе пластик кейсте жеткізілсе оны осы өзінің қорғағыш қабында сақтау ұсынылады
- сақтау шарттары туралы қосымша ақпарат алу үшін MEMCT 15150-69 (Шарт 1) құжатын қараңыз

Тасымалдау

- тасымалдау кезінде өнімді құлатуға және кез келген механикалық ықпал етуге қатаң тыйым салынады
- босату/жүктеу кезінде пакетті қысатын машиналарды пайдалануға рұқсат берілмейді.
- тасымалдау шарттары талаптарын MEMCT 15150-69 (5 шарт) құжатын оқыңыз.

Қауіпсіздік нұсқаулары



Өлшеу құралымен қауіпсіз және сенімді жұмыс істеу үшін барлық нұсқаулықтарды оқып орындау керек. Өлшеу құралын осы нұсқауларға сай пайдаланбау өлшеу құралындағы кірістірілген қауіпсіздік шараларына жағымсыз әсер етеді. Өлшеу құралындағы ескертулерді көрінбейтін қылмаңыз. **ОСЫ НҰСҚАУЛАРДЫ САҚТАП, ӨЛШЕУ ҚҰРАЛЫН БАСҚАЛАРҒА БЕРГЕНДЕ ОЛАРДЫ ҚОСА ҰСЫНЫҢЫЗ.**

- **Абай болыңыз – егер осы жерде берілген пайдалану немесе түзету құралдарынан басқа құралдан пайдаланса немесе басқа жұмыс әдістері**

орындалса бұл қауіпті сәулеге шалынуға алып келуі мүмкін.

- ▶ Өлшеу құралы лазер ескерту тақтасымен бірге жеткізіледі (графика бетіндегі өлшеу құралының суретінде белгіленген).
- ▶ Егер лазер ескерту тақтасының мәтіні еліңіздің тілінде болмаса, алғаш рет қолданысқа енгізбес бұрын оның орнына еліңіздің тіліндегі жапсырманы жабыстырыңыз.



Лазер сәулесін адамдарға немесе жануарларға бағыттамаңыз және өзіңіз де тікелей немесе шағылысқан лазер сәулесіне қарамаңыз. Бұл адамдардың көзін шағылдыруы мүмкін, сәтсіз оқиғаларға әкелуі немесе көзге зақым келтіруі мүмкін.

- ▶ Егер лазер сәулесі көзге көздерді жұмып басты сәуледен ары қарату керек.
- ▶ Лазер құрылғысында ешқандай өзгерту орындамаңыз.
- ▶ Лазер көру көзілдірігін (керек-жарақ) қорғаныш көзілдірігі ретінде пайдаланбаңыз. Лазер көру көзілдірігі лазер сәулесін жақсырақ көру үшін қолданылады, алайда лазер сәулесінен қорғайды.
- ▶ Лазер көру көзілдірігін (керек-жарақ) күннен қорғайтын көзілдірік ретінде немесе жол қозғалысында пайдаланбаңыз. Лазер көру көзілдірігі ультракүлгін сәулелерден толық қорғанысты қамтамасыз етпейді және түсті сезу қабілетін азайтады.
- ▶ Өлшеу құралын тек білікті маманға және арнаулы бөлшектермен жөндеңіз. Сол арқылы өлшеу құрал қауіпсіздігін сақтайсыз.
- ▶ Балаларға лазер өлшеу құралын бақылаусыз пайдалануға рұқсат етпеңіз. Олар басқа адамдардың немесе өзінің көзін абайсыздан шағылыстыруы мүмкін.
- ▶ Жанатын сұйықтықтар, газдар немесе шаң жиылған жарылыс қауіпі бар ортада өлшеу құралын пайдаланбаңыз. Өлшеу құралы ұшқын шығарып, шаңды жандырып, өрт тудыруы мүмкін.



Магниттік керек-жарақтарды имплантаттардың және кардиостимулятор немесе инсулин сорғысы сияқты басқа да медициналық құрылғылардың жанына қоймаңыз. Керек-жарақтардың магниттері имплантаттардың немесе медициналық құрылғылардың жұмысына әсер ететін өріс тудырады.

- ▶ Магнитті аксессуарды магнитті дерек тасымалдаушылар мен магнитке сезімтал аспаптардан алыс ұстаңыз. Аксессуарлар магниттерінің әсері қалпына келтіруге болмайтын деректер жоғалуына алып келуі мүмкін.

Өнім және қуат сипаттамасы

Пайдалану нұсқаулығының алғы бөлігінің суреттерін ескеріңіз.

Тағайындалу бойынша қолдану

Өлшеу құралы көлденең және тік сызықтарды өлшеу және тексеруге арналған.

Өлшеу құралы ішкі мен сыртқы аймақтарда пайдалануға арналған.

Бейнеленген құрамды бөлшектер

Көрсетілген құрамдастар нөмірі суреттер бар беттегі өлшеу құралының сипаттамасына қатысты.

- (1) Лазер сәулесінің шығыс саңылауы
- (2) Ажыратқыш
- (3) Батарея индикаторы
- (4) Лазер жұмыс режиміне арналған түйме **Mode**
- (5) Лазер ескерту тақтасы
- (6) Сериялық нөмір
- (7) Штатив бекіткіші, 1/4 дюйм
- (8) Батарея бөлімі қақпағының бекіткіші
- (9) Батарея бөлімінің қақпағы
- (10) Ұстағыш (LB 10)^{a)}
- (11) Магнит^{a)}
- (12) Ұстағыштың 1/4 дюймдік бұрандасы^{a)}
- (13) Ұстағыштың бұрандалы саңылауы^{a)}
- (14) Төбе қапсырмасы (DK 10)^{a)}
- (15) Әмбебап ұстағыш (BM 1)^{a)}
- (16) Лазер нысандық тақтасы^{a)}
- (17) Штатив (BT 150)^{a)}
- (18) Телескоптық қарнақ (BT 350)^{a)}
- (19) Лазер көру көзілдірігі^{a)}
- (20) Қорғаныш қалта^{a)}

a) Бейнеленген немесе сипатталған жабдықтар стандартты жеткізу көлемімен қамтылмайды. Толық жабдықтарды біздің жабдықтар бағдарлауымыздан табысыз.

Техникалық мәліметтер

Лазерлік уровень	GLL 2-20 G
Өнім нөмірі	3 601 K65 ...
Жұмыс аймағы (радиус) ^{A)}	10 м
Нивелирлеу дәлдігі ^{B)C)D)}	±0,4 мм/м
Өздігінен нивелирлеу диапазоны	±4°
Нивелирлеу уақыты	< 4 с
Жұмыс температурасы	-5°C ... +40°C
Сақтау температурасы	-20°C ... +70°C
Негізгі биіктіктің үстіндегі макс. пайдалану биіктігі	2000 м

Лазерлік уровень	GLL 2-20 G
Салыстырмалы ауа ылғалдылығы, макс.	90%
Ластану дәрежесі IEC 61010-1 стандарты бойынша	2 ^E
Лазер класы	2
Лазер түрі	< 10 мВт, 500–540 нм
C ₆	10
Айырмашылық	30 × 20 мрад (толық бұрыш)
Штатив бекіткіші	1/4 дюйм
Батареялар	4 × 1,5 В LR6 (AA)
Жұмыс ұзақтығы (қиылысу режимінде) ^B	5 сағ
Салмағы EPTA-Procedure 01:2014 құжатына сай	0,62 кг
Өлшемдері (ұзындығы × ені × биіктігі)	111 × 72 × 119 мм
Қорғаныс дәрежесі	IP 64

- A) Жұмыс аймағын қолайсыз қоршау шарттарында (мысалы тікелей күн сәулелерінде) қысқарту мүмкін.
- B) 20–25 °C
- C) Көрсетілген мәндер қалыпты және жағымды қоршаған орта шарттарын (мысалы, дiрiлсiз, тұмансыз, түтiнсiз, тiкелей күн сәулесiнсiз) талап етедi. Температура шұғыл өзгерген жағдайда, дәлдік ауытқуы мүмкін.
- D) айқасу нүктесінде және 90°/180°/270° шамасындағы тиісті бұрыштарда жарамды
- E) Тек қана тоқ өткізбейтін лас пайда болады, бірақ кейбір жағдайларда еру нәтижесінде төө өткізу қабілеті пайда болуы күтіледі.

Өлшеу құралының зауыттық тақтайшадағы сериялық нөмірі (6) оны дұрыс анықтауға көмектеседі.

Жинау

Батареяларды салу/алмастыру

Өлшеу құралы үшін алкалин марганец батареясын пайдалану ұсынылады.

Батарея бөлімінің қақпағын (9) ашу үшін ысырманы (8) жоғары қарай басып, қақпақты ашыңыз. Батареяларды енгізіңіз.

Батарея бөлімінің ішіндегі суретте көрсетілгендей полюстардың дұрыс орналасуын қамтамасыз етіңіз.

Батарея индикаторы (3) әрдайым батарея зарядының ағымдағы деңгейін көрсетеді.

Егер батареялар заряды таусылған дерлік болса, батарея индикаторы (3) баяу жыпылықтайды. Лазер сызықтары әр 5 минут сайын 5 секунд жыпылықтайды.

Батареялардың заряды таусылған болса, лазер сызықтары жыпылықтап, өлшеу құралы өшпес бұрын, батарея индикаторы тағы бір рет жыпылықтайды.

Барлық батареяларды бірдей алмастырыңыз. Тек бір өндірушінің және қуаты бірдей батареяларды пайдаланыңыз.

- **Өлшеу құралын ұзақ уақыт пайдаланбасаңыз, батареяны өлшеу құралынан шығарып алыңыз.** Ұзақ уақыт сақтаған жағдайда, өлшеу құралындағы батареяларды тот басуы және олардың заряды өздігінен таусылуы мүмкін.

Пайдалану

Пайдалануға ендіру

- **Өлшеу құралын сыздан және тікелей күн сәулелерінен сақтаңыз.**
- **Өлшеу құралына айрықша температура немесе температура өзгерістерінің әсерін тигізуге болмайды.** Оны, мысалы, автомобиль ішінде ұзақ уақытқа қалдырмаңыз. Температура өзгерістері шұғыл болған жағдайда, алдымен өлшеу құралының тұрақты температурасын сақтаңыз және жұмысты жалғастырмастан бұрын әрдайым дәлдік тексерісін өткізіңіз (қараңыз „Өлшеу құралының дәлдігін тексеру“, Бет 48).
- Айрықша температура немесе температура өзгерістері орын алған жағдайда, өлшеу құралының дәлдігі төмендеуі мүмкін.
- **Өлшеу құралын қатты соғылудан немесе түсуден сақтаңыз.** Сыртқы күшті әсерлерден кейін өлшеу құралының жұмысын жалғастырудан бұрын әрдайым дәлдік тексеруін орындау керек (қараңыз „Өлшеу құралының дәлдігін тексеру“, Бет 48).
- **Өлшеу құралын тасымалдаудан алдын оны қосыңыз.** Өшуде тербелу бөлігі бұғатталады, әйтпесе ол қатты әрекеттерде зақымдалуы мүмкін.

Қосу/өшіру

Өлшеу құралын **қосу** үшін ажыратқышты (2) **"ON"** күйіне жылжытыңыз. Өлшеу құралы қосылғаннан кейін бірден лазер сәулелерін шығыс саңылаулардан (1) шығарады.

- **Лазер сәулесін адамдарға немесе жануарларға бағыттамаңыз және тіпті алыстан болсын жарық сәулесіне өзіңіз қарамаңыз.**

Өлшеу құралын **өшіру** үшін қосқыш/өшіргішті (2) **"OFF"** күйіне жылжытыңыз. Өшіру кезінде тербелу блогы бұғатталады.

- **Қосулы зарядтау құралын бақылаусыз қалдырмаңыз және өлшеу құралын пайдаланудан соң өшіріңіз.** Лазер сәулесімен адамдардың көзін шағылыстыру мүмкін.

Өшіру автоматикасы

Егер шам. **120** минут ішінде өлшеу құралында ешбір түйме басылмаса, өлшеу құралы батарея зарядын сақтау үшін автоматты түрде өшіп қалады.

Өлшеу құралын автоматты өшкен соң қайта іске қосу үшін, ажыратқышты (2) алдымен **"OFF"** күйіне жылжытып, содан кейін өлшеу құралын қайта іске қосыңыз немесе лазер жұмыс режимінің түймесін (4) басыңыз.

Өшу автоматикасын өшіру үшін (өлшеу құралы қосұлы болғанда) жұмыс түрлері пернесін **(4)** кемінде 3 сек. басып ұстаңыз. Өшу автоматикасы өшкен болса, лазер сәулелері растау үшін қысқа уақыт жыпылықтайды.

Автоматты өшуді белсендендіру үшін өлшеу құралын өшіріп, қайта қосыңыз.

Пайдалану түрлері

Өлшеу құралында бірнеше жұмыс режимі бар, оларды әркез ауыстыруға болады:

- Қиылысу режимі **(А)** суретін қараңыз): бір көлденең лазер жазықтығын және алға қаратылған бір тік лазер сызығын шығарады,
- Көлденең режим **(В)** суретін қараңыз): көлденең лазер жазықтығын шығарады,
- Тік жұмыс режимі **(С)** суретін қараңыз): алға қаратылған бір тік лазер сызығын шығарады.

Жұмыс режимін ауыстыру үшін лазер жұмыс режимінің түймесін **(4)** лазер сәулелері қалаулы жұмыс режимінде шыққанша басыңыз.

Барлық жұмыс режимдері нивелирлеу автоматикасымен да, еңіс функциясымен да орындалуы мүмкін.

Нивелирлеу автоматикасы

Өлшеу құралы жұмыс барысында әрдайым күйді қадағалайды. $\pm 4^\circ$ шамасындағы өздігінен нивелирлеу аймағының аясында орнатқан кезде, ол нивелирлеу автоматикасымен жұмыс істейді. Өздігінен нивелирлеу аймағынан тыс ол автоматты түрде еңіс функциясына ауысады.

Нивелирлеу автоматикасымен жұмыс істеу (А–С суреттерін қараңыз)

Өлшеу құралын көлденең, берік бетке қойып, ұстағышқа **(10)** немесе штативке **(17)** бекітіңіз.

Нивелирлеу автоматикасы $\pm 4^\circ$ шамасындағы өздігінен нивелирлеу аймағында тегіс емес жерлерді автоматты түрде тегістейді. Лазер сәулелері үздіксіз жанып тұрғанда, өлшеу құралы нивелирленген болады.

Автоматты түрде нивелирлеу мүмкін болмаса, мысалы, өлшеу құралы тұрған бет көлденең сызықтан 4° шамасынан артық ауытқыған болса, лазер сызықтары алдымен 2 секунд ішінде жылдам ырғақпен жыпылықтайды. Сонан соң лазер сызықтары 5 секунд жанып тұрады да, содан кейін әр 5 секунд сайын жылдам ырғақпен жыпылықтайды. Өлшеу құралы еңіс функциясында тұрады.

Нивелирлеу автоматикасымен жұмыс істеуді жалғастыру үшін өлшеу құралын көлденеңінен қойып, өздігінен нивелирлеу аяқталғанша күтіңіз. Өлшеу құралы $\pm 4^\circ$ шамасындағы өздігінен нивелирлеу аймағында тұрса, лазер сәулелері үздіксіз жанады.

Пайдалану кезінде қағылыстар болса немесе күй өзгерсе өлшеу құралы автоматты ретте өзін нивелирлейді.

Нивелирлеуден соң өлшеу құралының жылжуы арқылы пайда болуы мүмкін қателердің алдын алу үшін лазерлік сызықтардың күйін негізгі нүктелерге салыстырып тексеріңіз.

Еңіс функциясымен жұмыс істеу (К суретін қараңыз)

Өлшеу құралын еңіс бетке қойыңыз. Еңіс функциясымен жұмыс істеген кезде, лазер сәулелері алдымен 2 секунд жылдам ырғақпен жыпылықтайды. Сонан соң лазер сызықтары 5 секунд жанып тұрады да, содан кейін әр 5 секунд сайын жылдам ырғақпен жыпылықтайды.

Еңіс функциясында лазер сызықтары бұдан былай нивелирленбейді және бір-біріне тігінен өтпейді.

Өлшеу құралының дәлдігін тексеру

Дәлдік әсерлері

Қоршау температурасы ең күшті әсер етеді. Еденден жоғарыға болған температура өзгерістері лазер сәулесін ауытқуы мүмкін.

Температура айырмашылығы еденге жақын аймақта үлкен болғаны үшін, өлшеу құралын мүмкіндігінше штативке орнатып, жұмыс аймағының ортасына орналастыру қажет.

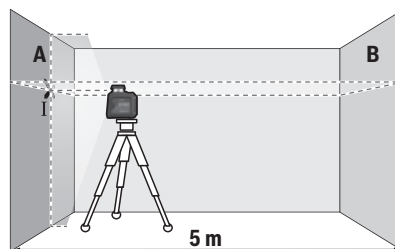
Сыртқы әсерлерден тыс аспаптық әсерлер де (мысалы қағылыс немесе қатты соққылар) ауытқуларға алып келуі мүмкін. Сол үшін әр жұмыстан алдын нивелирлеу дәлдігін тексеріңіз.

Егер өлшеу құралы тексеру кезінде максималды ауытқудан асырса, оны **Bosch** сервистік орталығында жөндетіңіз.

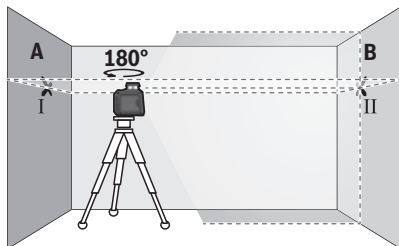
Көлденең сызықтың биіктік дәлдігін тексеру

Тексеру үшін **5 м** бос өлшеу қашықтығы қатты жерде **А** мен **В** екі қабырғаның арасында керек болады.

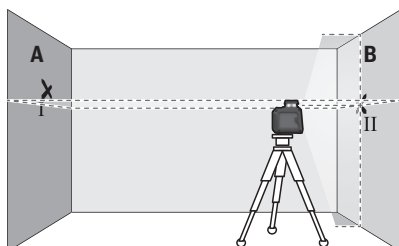
- Өлшеу құралын **А** қабырғасының жанындағы штативке немесе берік әрі тегіс бетке орнатыңыз. Өлшеу құралын қосып, қиылысу режимін таңдаңыз.



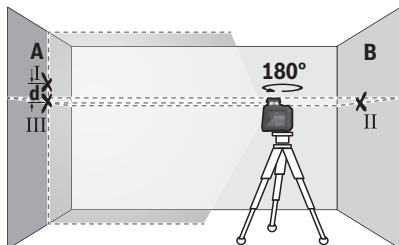
- Лазерді жақын **А** қабырғасына бағыттап, өлшеу құралын нивелирленіз. Лазер сызықтары қабырғада айқын-ұйқыш нүктесінің ортасын белгілеңіз (**1** нүктесі).



- Өлшеу құралын 180° бұрап, оны нивелирлеп лазер сызықтарының арғы В қабырғасындағы айқыш-ұйқыш нүктесін белгілеңіз (II нүктесі).
- Өлшеу құралын бұрамай В қабырғасының қасында қойып, қосыңыз да нивелирлеңіз.



- Өлшеу құралының биіктігін (штативтер немесе бар болса тіреуіш көмегімен) лазер сызықтарының айқыш-ұйқыш нүктесі В қабырғасында алдымен белгіленген нүктеге II сәйкес болатындай бағыттаңыз.

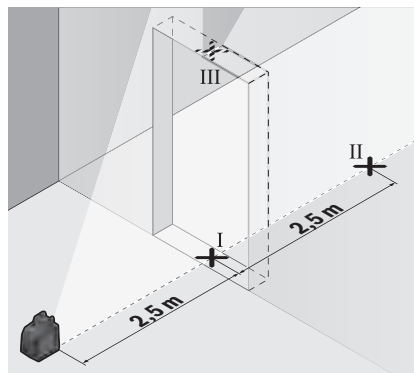


- Өлшеу құралын 180° бұрап биіктігін өзгертпеңіз. Оны А қабырғасына тік лазер сызығы белгіленген I нүктесінен өтетін етіп бағыттаңыз. Өлшеу құралын нивелирлеп, лазер сызықтарының айқыш-ұйқыш нүктесін А қабырғасында (III нүктесі) белгілеңіз.
 - А қабырғасындағы I мен III екі белгіленген нүктенің **d** айырмашылығы өлшеу құралының дәл биіктіктен ауытқуын көрсетеді.
- $2 \times 5 \text{ м} = 10 \text{ м}$ өлшеу қашықтығындағы рұқсат етілген максималды ауытқу:
 $10 \text{ м} \times \pm 0,4 \text{ мм/м} = \pm 4 \text{ мм}$. I мен III нүктелері арасындағы **d** айырмашылығы ең көбі 4 мм құрауы тиіс.

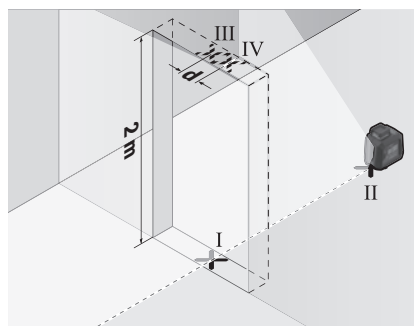
Тік сызықтың нивелирлеу дәлдігін тексеріңіз

Тексеру үшін (қатты табанда) есіктің әр жағынан кемінде 2,5 м жай болатын есік тесігі керек.

- Өлшеу құралын есік саңылауынан 2,5 м қашықтықта, берік әрі тегіс бетке орналастырыңыз (штативке емес). Өлшеу құралын қосып, тік режимді таңдаңыз. Лазер сызығын есік саңылауына бағыттап, өлшеу құралын нивелирлеңіз.



- Тік лазер сызығының орталығын есік тесігінің еденінде (I нүктесі), 5 м қашықтықта есік тесігінің басқа жағында (II нүктесі) және есік тесігінің жоғарғы шетінде (III нүктесі) белгілеңіз.



- Өлшеу құралын 180° бұрап, есік тесігінің басқа жағында тікелей II нүктесінің артында орнатыңыз. Өлшеу құралын нивелирлеп, тік лазер сызығын орталығы нақты I мен II нүктелерінен өтетін етіп бағыттаңыз.
 - Лазер сызығының орталығын есік тесігінің жоғарғы шетінде IV нүктесі ретінде белгілеңіз.
 - А қабырғасындағы III мен IV екі белгіленген нүктенің **d** айырмашылығы өлшеу құралының дәл биіктіктен ауытқуын көрсетеді.
 - Есік тесігінің биіктігін өлшеңіз.
- Максималды рұқсат етілетін ауытқу төмендегідей есептеледі:
 есік тесігінің қос биіктігі $\times 0,4 \text{ мм/м}$

Мысал: есік тесігінің 2 м биіктігіндегі максималды ауытқу:
 $2 \times 2 \text{ м} \times \pm 0,4 \text{ мм/м} = \pm 1,6 \text{ мм}$. Сондықтан III мен IV
 нүктелердің аралығы ең көбі 1,6 мм болуы керек.

Пайдалану нұсқаулары

- ▶ **Әрдайым тек лазер сызығының орталығын пайдаланыңыз.** Лазер сызығының ені қашықтықпен өзгереді.

LB 10 ұстағышымен (керек-жарақ) жұмыс істеу (D – G суреттерін қараңыз)

Ұстағыштың (10) көмегімен өлшеу құралын тік жазықтықтарға немесе магнитке сезімтал материалдарға бекітуге болады. Төбелік қысқышпен (14) бірге өлшеу құралын биіктігі бойынша да туралауға болады.

Өлшеу құралын 1/4 дюймдік штатив бекіткішімен (7) ұстағыштың 1/4 дюймдік бұрандасына (12) орнатып, берік бұран бекітіңіз.

Ұстағыштың (10) бекіту мүмкіндіктері:

- әдеттегі бекіткіш бұранданың көмегімен ағаштағы бұрандалы саңылау (13) арқылы (E суретін қараңыз),
- магниттердің (11) көмегімен магнитті материалдарға (F суретін қараңыз),
- төбелік қысқыштың (14) көмегімен төбе планкаларына (G суретін қараңыз).

- ▶ **Магниттік керек-жарақты үстіңгі беттерге бекіткен кезде саусағыңызды керек-жарақтың артқы жағынан алшақ ұстаңыз.** Магниттің қатты тарту күшінің салдарынан саусағыңыз қысылып қалуы мүмкін.

Өлшеу құралын қосудан бұрын ұстағышты (10) дәрекі бағыттаңыз.

Лазер нысандық тақтасымен жұмыс істеу (керек-жарақ)

Лазер нысандық тақтасы (16) қолайсыз жағдайда және ұзақ қашықтықтарда лазер сызығының көрінісін жақсартады.

Лазер нысандық тақтасының қайтаратын жазықтығы (16) лазер сызығының көрінуін жақсартып, мөлдір жазықтығы арқылы лазер сызығы лазер нысандық тақтасының артынан да көрінеді.

Штативпен жұмыс істеу (керек-жарақ)

Штатив тұрақты және биіктігі реттелетін өлшеу табаны болады. Өлшеу құралын 1/4" штатив патронымен (7) штативтің (17) немесе стандартты фотоштативтің бұрандасына орнатыңыз. Өлшеу құралын штативтегі құлыптау бұрандасымен бекітіңіз.

Өлшеу құралын қосудан алдын штативті бағыттаңыз.

Әмбебап ұстағышпен бекіту (керек-жарақ)

Әмбебап ұстағыштың (15) көмегімен өлшеу құралын, мысалы, тік аймақтарға немесе магнитті материалдарға бекітуге болады. Әмбебап ұстағыш едендік штатив ретінде де пайдаланылады және өлшеу құралының биіктік бойынша туралануын оңтайландырады.

Өлшеу құралын қосудан алдын әмбебап ұстағышты (15) дәрекі бағыттаңыз.

Лазер көру көзiлдiрiгi (керек-жарақ)

Лазер көру көзiлдiрiгi қоршау жарықтығын сүзгiлейдi. Осылай лазер жарығы көз үшiн жарқынрақ болады.

- ▶ **Лазер көру көзiлдiрiгiн (керек-жарақ) қорғаныш көзiлдiрiгi ретiнде пайдаланбаңыз.** Лазер көру көзiлдiрiгi лазер сәулесiн жақсырақ көру үшiн қолданылады, алайда лазер сәулесiнен қорғамайды.
- ▶ **Лазер көру көзiлдiрiгiн (керек-жарақ) күннен қорғайтын көзiлдiрiгi ретiнде немесе жол қозғалысында пайдаланбаңыз.** Лазер көру көзiлдiрiгi ультракүлгiн сәулелерден толық қорғанысты қамтамасыз етпейдi және түстi сезу қабiлетiн азайтады.

Жұмыс мысалдары (H–K суреттерiн қараңыз)

Өлшеу құралын пайдалану мүмкiндiктерiнiң мысалдары суреттер беттерiнде берiлген.

Техникалық күтім және қызмет

Қызмет көрсету және тазалау

Өлшеу құралын таза ұстаңыз.

Өлшеу құралын суға немесе басқа сұйықтықтарға батырмаңыз.

Ластануларды суланған, жұмсақ шүберекпен сүртіңіз.

Жұғыш заттарды немесе еріткіштерді пайдаланбаңыз.

Лазер шығыс тесігіндегі аймақтарды сапалы тазалайтын қылшықтарға назар аударыңыз.

Өлшеу құралын тек қорғайтын қабында (20) сақтаңыз және тасымалдаңыз.

Жөндеу үшін өлшеу құралын қорғау қалтасында (20) жіберіңіз.

Тұтынушыға қызмет көрсету және пайдалану кеңестері

Қызмет көрсету орталығы өнімді жөндеу және оған техникалық қызмет көрсету, сондай-ақ қосалқы бөлшектер туралы сұрақтарға жауап береді. Құрамдас бөлшектер бойынша кескін мен қосалқы бөлшектер туралы мәліметтер төмендегі мекенжай бойынша қолжетімді: www.bosch-pt.com

Bosch қызметтік кеңес беру тобы біздің өнімдер және олардың керек-жарақтары туралы сұрақтарыңызға жауап береді.

Сұрақтар қою және қосалқы бөлшектерге тапсырыс беру кезінде міндетті түрде өнімнің фирмалық тақтайшасындағы 10 таңбалы өнім нөмірін беріңіз.

Өндіруші талаптары мен нормаларының сақталуымен электр құралын жөндеу және кепілді қызмет көрсету барлық мемлекеттер аумағында тек “Роберт Бош” фирмалық немесе авторизацияланған қызмет көрсету орталықтарында орындалады. ЕСКЕРТУ! Заңсыз жолмен әкелінген өнімдерді пайдалану қауіпті, денсаулығыңызға зиян келтіруі мүмкін. Өнімдерді заңсыз жасау және

тарату өкімшілік және қылмыстық тәртіп бойынша
Заңмен қудаланады.

Қазақстан

Тұтынушыларға кеңес беру және шағымдарды қабылдау
орталығы:

“Роберт Бош” (Robert Bosch) ЖШС

Алматы қ.,

Қазақстан Республикасы
050012

Муратбаев к., 180 үй

“Гермес” БО, 7 қабат

Тел.: +7 (727) 331 31 00

Факс: +7 (727) 233 07 87

E-Mail: ptka@bosch.com

Сервистік қызмет көрсету орталықтары мен қабылдау
пунктерінің мекен-жайы туралы толық және өзекті
ақпаратты Сіз: www.bosch-professional.kz ресми сайттан
ала аласыз

**Қызмет көрсету орталықтарының басқа да
мекенжайларын мына жерден қараңыз:**

www.bosch-pt.com/serviceaddresses

Кәдеге жарату

Өлшеу құралын, оның жабдықтары мен қаптамасын
қоршаған ортаны қорғайтын кәдеге жарату орнына
тапсыру қажет.



Қлшеу құралдарын не батареяларды үй
қоқысына тастамаңыз!

Тек қана ЕО елдері үшін:

Еуропа 2012/19/EU ережесі бойынша жарамсыз өлшеу
құралдары және Еуропа 2006/66/EC ережесі бойынша
зақымдалған немесе ескі аккумулятор/батареялар бөлек
жиналып кәдеге жаратылуы қажет.

Македонски

Безбедносни напомени



Сите упатства треба да се прочитаат и да
се внимава на нив, за да може безбедно и
без опасност да работите со мерниот
уред. Доколку мерниот уред не се
користи согласно приложените инструкции, може да
се наруши функцијата на вградените заштитни
механизми во мерниот уред. Не ги оштетувајте
налепниците за предупредување. **ДОБРО ЧУВАЈТЕ ГИ
ОВИЕ УПАТСТВА И ПРЕДАДЕТЕ ГИ ЗАЕДНО СО
МЕРНИОТ УРЕД.**

- ▶ **Внимание** – доколку користите други уреди за
подесување и ракување освен овде наведените или
поинакви постапки, ова може да доведе до опасна
изложеност на зрачење.

- ▶ **Мерниот уред се испорачува со ознака за предупредување за ласерот (означено на приказот на мерниот уред на графичката страна).**

- ▶ **Доколку текстот на ознаката за предупредување за ласерот не е на Вашиот јазик, врз него залепете ја налепницата на Вашиот јазик пред првата употреба.**



**Не го насочувајте ласерскиот зрак кон
лица или животни и немојте и Вие самите
да гледате во директниот или
рефлектирачкиот ласерски зрак.** Така
може да ги заслепите лицата, да
предизвикате несреќи или да ги оштетите
очите.

- ▶ **Доколку ласерскиот зрак доспее до очите, веднаш
треба да ги затворите и да ја тргнете главата од
ласерскиот зрак.**

- ▶ **Не правете промени на ласерскиот уред.**

- ▶ **Не ги користете ласерските заштитни очила
(дополнителна опрема) како заштитни очила.**

Ласерските заштитни очила служат за подобро
распознавање на ласерскиот зрак; сепак, тие не
штитат од ласерското зрачење.

- ▶ **Не ги користете ласерските заштитни очила
(дополнителна опрема) како очила за сонце или
пак во сообраќајот.** Ласерските очила не даваат
целосна UV-заштита и го намалуваат препознавањето
на бои.

- ▶ **Мерниот уред смее да се поправа само од страна на
квалификуван стручен персонал и само со
оригинални резервни делови.** Само на тој начин ќе
бидете сигурни во безбедноста на мерниот уред.

- ▶ **Не ги оставајте децата да го користат ласерскиот
мерен уред без надзор.** Без надзор, тие може да се
заслепат себеси или други лица.

- ▶ **Не работете со мерниот уред во околина каде
постои опасност од експлозија, каде има запаливи
течности, гас или прашина.** Мерниот уред создава
искри, кои може да ја запалат правта или пареата.



**Не ја принесувајте магнетната опрема во
близина на импланти или други
медицински уреди, на пр. пејсмејкери или
инсулинска пумпа.** Магнетите на опремата
создаваат поле кое може да ја наруши на
функцијата на имплантирните или на
медицинските уреди.

- ▶ **Магнетната опрема држете ја подалеку од
магнетски носачи на податоци и уреди
чувствителни на магнет.** Поради влијанието на
магнетот на опремата може да дојде до неповратно
губење на податоците.

Опис на производот и перформансите

Внимавајте на сликите во предниот дел на упатството за користење.

Употреба со соодветна намена

Мерниот уред е наменет за одредување и проверка на хоризонтални и вертикални линии.

Мерниот уред е погоден за користење во внатрешен и надворешен простор.

Илустрација на компоненти

Нумерирањето на сликите со компоненти се однесува на приказот на мерниот уред на графичката страница.

- (1) Излезен отвор за ласерскиот зрак
- (2) Прекинувач за вклучување/исклучување
- (3) Приказ на батерии
- (4) Копче за режимот на работа на ласерот **Mode**
- (5) Натпис за предупредување на ласерот
- (6) Сериски број
- (7) Прифат на стативот 1/4"
- (8) Фиксирање на капакот од преградата за батерии
- (9) Капак на преградата за батерии
- (10) Држач (LB 10)^{a)}
- (11) Магнет^{a)}
- (12) 1/4"-завртка на држачот^{a)}
- (13) Отвор за завртката на држачот^{a)}
- (14) Стега за покрив (DK 10)^{a)}
- (15) Универзален држач (BM 1)^{a)}
- (16) Ласерска целна табла^{a)}
- (17) Статив (BT 150)^{a)}
- (18) Телескопска прачка (BT 350)^{a)}
- (19) Ласерски заштитни очила^{a)}
- (20) Заштитна чанта^{a)}

a) Илустрираната или опишана опрема не е дел од стандардниот обем на испорака. Целосната опрема може да ја најдете во нашата Програма за опрема.

Технички податоци

Линиски ласер	GLL 2-20 G
Број на дел	3 601 K65 ...
Работен простор (радиус) ^{A)}	10 m
Точност при нивелирање ^{B)C)D)}	±0,4 mm/m
Поле на самонивелирање	±4°
Време на нивелирање	< 4 s
Оперативна температура	-5 °C ... +40 °C
Температура при складирање	-20 °C ... +70 °C
Макс. оперативна висина преку референтната висина	2000 m

Линиски ласер	GLL 2-20 G
Макс. релативна влажност на воздухот	90 %
Степен на извалканост според IEC 61010-1	2 ^{E)}
Класа на ласер	2
Тип на ласер	< 10 mW, 500–540 nm
C ₆	10
Отстапување	30 × 20 mrad (целосен агол)
Прифат за стативот	1/4"
Батерии	4 × 1,5 V LR6 (AA)
Времетраење на работа (при режим со вкрстени линии) најмалку ^{B)}	5 h
Тежина согласно ЕРТА-Procedure 01:2014	0,62 kg
Димензии (должина × ширина × висина)	111 × 72 × 119 mm
Вид на заштита	IP 64

- A) Работното поле може да се намали поради неповолни услови на околината (на пр. директна изложеност на сончеви зраци).
- B) кај 20–25 °C
- C) Дадените вредности предвидуваат нормални до поволни услови на околината (на пр. нема вибрации, нема магла, нема чад, нема изложеност на сончеви зраци). По екстремни температури може да дојде до отстапување во точноста.
- D) важи за точката на вкрстување и за соодветниот агол 90°/180°/270°
- E) Настануваат само неспроводливи нечистотии, но повремено се очекува привремена спроводливост предизвикана од кондензација.

Серискиот број (6) на спецификационата плочка служи за јасна идентификација на Вашиот мерен уред.

Монтажа

Ставање/менување на батерии

За работа со мерниот уред се препорачува користење на алкално-мангански батерии.

За да го отворите капакот од преградата за батерии (9) притиснете на механизмот за заклучување (8) нагоре и извадете го капакот од преградата за батерии. Ставете ги батериите.

Притоа внимавајте на половите според приказот на внатрешната страна од преградата за батерии.

Приказот на батеријата (3) секогаш го покажува моменталниот статус на батеријата.

Доколку батериите се скоро испразнети, тогаш приказот за батериите (3) трепка постојано. Ласерските линии трепкаат на секои 5 min по 5 s.

Ако се празни батериите, ласерските линии и приказот за батерија трепкаат уште еднаш, пред да се исклучи мерниот уред.

Секогаш заменувајте ги сите батерии одеднаш. Користете само батерии од еден производител и со ист капацитет.

- ▶ **Ако не го користите мерниот уред подолго време, извадете ги батериите.** При подолго складирање во мерниот уред, батериите може да кородираат и да се испразнат.

Употреба

Ставање во употреба

- ▶ **Заштитете го мерниот уред од влага и директно изложување на сончеви зраци.**
- ▶ **Не го изложувајте мерниот уред на екстремни температури или температурни осцилации.** На пр. не го оставајте долго време во автомобилот. При големи температурни осцилации, оставете го мерниот уред прво да се аклиматизира и направете проверка за точноста секогаш пред да продолжите со работа (види „Контрола на точноста на мерниот уред“, Страница 54). При екстремни температури или температурни осцилации, прецизноста на мерниот уред може да се наруши.
- ▶ **Избегнувајте удари и превртувања на мерниот уред.** По силни надворешни влијанија на мерниот уред, пред да го употребите за работа, секогаш извршете контрола на точноста (види „Контрола на точноста на мерниот уред“, Страница 54).
- ▶ **Исклучете го мерниот уред за време на транспортот.** При исклучувањето, се блокира осцилирачката единица, која би се оштетила при интензивни движења.

Вклучување/исклучување

За **вклучување** на мерниот уред притиснете на прекинувачот за вклучување/исклучување **(2)** во позиција **ON**. Веднаш по вклучувањето, мерниот уред пушта ласерски линии од излезните отвори **(1)**.

- ▶ **Не го насочувајте зракот светлина кон лица или животни и не погледнувајте директно во него, дури ни од голема оддалеченост.**

За **исклучување** на мерниот уред притиснете го прекинувачот за вклучување/исклучување **(2)** во позиција **OFF**. При исклучување, осцилирачката единица се блокира.

- ▶ **Не го оставајте вклучениот мерен уред без надзор и исклучете го по употребата.** Другите лица може да се заслепат од ласерскиот зрак.

Автоматика на исклучување

Доколку околу **120** мин. не се притисне ни едно копче на мерниот уред, тој се исклучува автоматски заради заштита на батериите.

За да го вклучите мерниот уред веднаш по автоматското исклучување, можете или најпрво да го притиснете прекинувачот за вклучување/исклучување **(2)** во позиција „**OFF**“ и потоа повторно да го вклучите мерниот

уред, или да притиснете на копчето за режим на работа на ласерот **(4)**.

За да ја деактивирате автоматиката за исклучување, држете го притиснато копчето за режим на работа **(4)** (при вклучен мерен уред) најмалку 3 s. Доколку автоматиката за исклучување е деактивирана, ласерските зраци кратко трепкаат за потврда.

За да го активирате автоматското исклучување, исклучете го мерниот уред и повторно вклучете го.

Начини на работа

Мерниот уред има повеќе начини на работа, кои може да ги промените во било кое време:

- Режим на вкрстени линии (види слика **A**): создава хоризонтално ласерско ниво и вертикална ласерска линија кон напред,
- Хоризонтален режим (види слика **B**): создава хоризонтално ласерско ниво,
- Вертикален режим (види слика **C**): создава вертикална ласерска линија кон напред.

За да го смените режимот на работа, притиснете на копчето за режим на работа на ласерот **(4)** додека ласерските зраци не се создадат во посакуваниот режим на работа.

Сите начини на работа се можни со автоматика за нивелирање, како и со функција за навалување.

Автоматика за нивелирање

Мерниот уред во секое време ја контролира положбата за време на работата. При поставувањето во полето на самонивелирање од $\pm 4^\circ$ работи со автоматиката за нивелирање. Надвор од полето на самонивелирање се менува автоматски во функција за навалување.

Работење со автоматика за нивелирање (види слики A–C)

Поставете го мерниот уред на хоризонтална, цврста подлога, прицврстете го на држачот **(10)** или на стативот **(17)**.

Автоматиката за нивелирање автоматски ги израмнува нераминните во полето на самонивелирање од $\pm 4^\circ$. Штом ласерските зраци трепкаат постојано, мерниот уред е изнивелиран.

Доколку не е возможно автоматско нивелирање, на пр. бидејќи подлогата на мерниот уред отстапува повеќе од 4° од хоризонталата, ласерските линии трепкаат 2 s со брзо темпо. На крај светат сите ласерски линии 5 s, потоа трепкаат неколку пати на секои 5 s со брзо темпо. Мерниот уред се наоѓа во функција на навалување.

За дополнително работење со автоматиката за нивелирање поставете го мерниот уред хоризонтално и почекајте го самонивелирањето. Штом ќе се најде мерниот уред во полето на самонивелирање од $\pm 4^\circ$ ласерските зраци светат непрекинато.

При вибрации или промена на положбата за време на работата, мерниот уред повторно се нивелира автоматски. По повторното нивелирање, проверете ја

позицијата на ласерските зраци во однос на референтните точки, за да се избегнат грешките при поместување.

Работење со функција за навалување (види слика К)

Поставете го мерниот уред на навалена подлога. При работењето со функција за навалување, трепкаат ласерските линии 2 s со брзо темпо. На крај светат сите ласерски линии 5 s, потоа трепкаат неколку пати на секои 5 s со брзо темпо.

Во функцијата за навалување ласерските линии повеќе не се нивелираат и не мора да се вертикално една кон друга.

Контрола на точноста на мерниот уред

Влијанија на точноста

Најголемо влијание врши околната температура. Особено температурните разлики кои се движат од подот нагоре може да го пренасочат ласерскиот зрак.

Бидејќи топлинското раслојување е најголемо во близина на подот, доколку е возможно монтирајте го мерниот уред на ставив и поставете го во средината на работната површина.

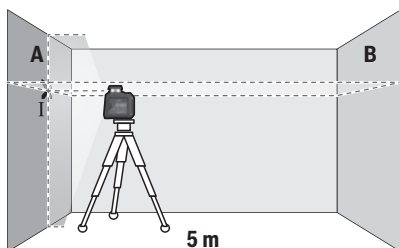
Освен надворешните влијанија, до отстапување може да доведат и влијанијата специфични за уредот (како на пр. падови или јаки удари). Затоа, пред секој почеток на работа проверете ја точноста на нивелирањето.

Доколку при некоја од проверките мерниот уред го надмине максималното отстапување, тогаш треба да се поправи од страна на сервисната служба на **Bosch**.

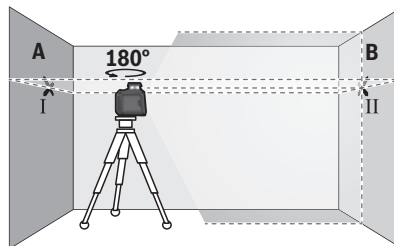
Проверка на точноста на висината на хоризонталната линија

За проверката потребна ви е слободна мерна линија од 5 m на цврста подлога помеѓу два зида А и В.

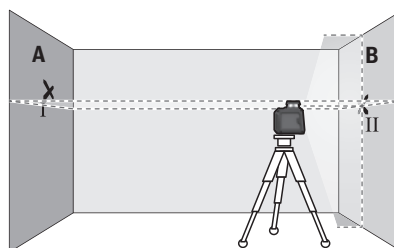
- Монтирајте го мерниот уред во близина на ѕидот А на ставив или поставете го на цврста, рамна подлога. Вклучете го мерниот уред и изберете режим на вкрстени линии.



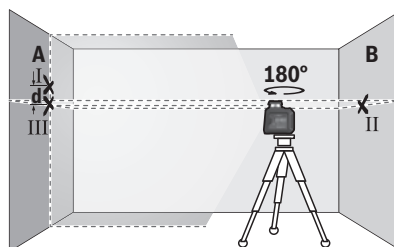
- Насочете го ласерот во близина на ѕидот А и оставете го мерниот уред да се нивелира. Обележете ја средината на точката, каде ласерските линии се вкрстуваат на ѕидот (точка I).



- Свртете го мерниот уред за 180°, оставете го да се нивелира и означете ја точката на вкрстување на ласерските линии на спротивниот ѕид В (точка II).
- Поставете го мерниот уред – без да го вртите – во близина на ѕидот В, вклучете го и оставете го да се нивелира.



- Поставете го мерниот уред по висина (со помош на ставивот или евентуално со подлогата), така што точката на вкрстување на ласерските линии точно ќе ја погоди претходно означената точка II на ѕидот В.



- Свртете го мерниот уред за 180°, без да ја промените висината. Насочете го на ѕидот А, така што вертикалната ласерска линија проаѓа низ веќе означената точка I. Оставете го мерниот уред да се нивелира и означете ја точката на вкрстување на ласерските линии на ѕидот А (точка III).
- Разликата d на двете означени точки I и III на ѕидот А го дава фактичкото отстапување од висината на мерниот уред.

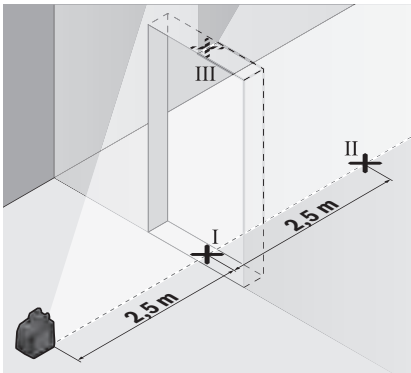
На мерна линија од $2 \times 5 \text{ m} = 10 \text{ m}$ максималното дозволено отстапување изнесува:

$10 \text{ m} \times \pm 0,4 \text{ mm/m} = \pm 4 \text{ mm}$. Разликата d меѓу точките I и III смее да изнесува најмногу 4 mm.

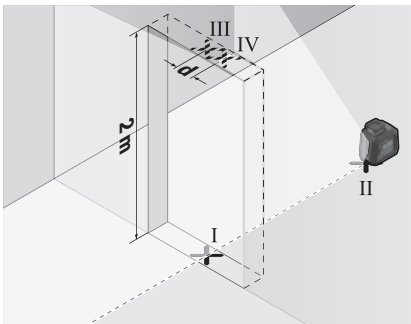
Проверка на точноста на нивелирањето на вертикалната линија

За контрола потребен ви е отвор од вратата, каде (на цврста подлога) на секоја страна од вратата има место од најмалку 2,5 m.

- Поставете го мерниот уред на 2,5 m растојание од отворот на вратата на цврста, рамна подлога (не на статив). Вклучете го мерниот уред и изберете вертикален режим. Насочете ја ласерската линија на отворот од вратата и оставете го мерниот уред да нивелира.



- Означете ја средината на вертикалната ласерска линија на подот од отворот на вратата (точка I), на 5 m растојание од другата страна на отворот од вратата (точка II), како и на горниот раб на вратата од отворот (точка III).



- Свртете го мерниот уред за 180° и поставете го на другата страна на отворот на вратата директно зад точката II. Оставете го мерниот уред да се нивелира и насочете ја вертикалната ласерска линија така што нејзината средина ќе поминува точно низ точките I и II.
- Обележете ја средината на ласерската линија на горниот раб на отворот на вратата како точка IV.
- Разликата d на двете означени точки III и IV го дава фактичкото отстапување на мерниот уред од вертикалните линии.

- Измерете ја висината на отворот од вратата. Максималното дозволено отстапување го пресметувате на следниот начин:
двојна висина на отворот на вратата $\times 0,4 \text{ mm/m}$
Пример: При висина на отворот на вратата од 2 m максималното отстапување смее да изнесува $2 \times 2 \text{ m} \times \pm 0,4 \text{ mm/m} = \pm 1,6 \text{ mm}$. Точките III и IV смеат да лежат најмногу 1,6 mm една од друга.

Совети при работењето

- За обележување, секогаш користете ја само средината на ласерската линија. Ширината на ласерската линија се менува со оддалечувањето.

Работење со држачот LB 10 (додатоци) (види слики D-G)

Со помош на држачот (10) можете да го прицврстите мерниот уред или магнетбилните материјали на вертикални површини. Во комбинација со стегата за плафон (14) мерниот уред може да се израмни и во висина.

Поставете го мерниот уред со 1/4"-прифатот за статив (7) на 1/4"-завртката (12) на држачот и прицврстете го.

Можности за прицврстување на држачот (10):

- Со вообичаена завртка за прицврстување на отворот за завртката (13) на дрво (види слика E),
- Со магнетите (11) на магнетизирани материјали (види слика F),
- Со стегата за плафон (14) на лајсните за плафон (види слика G).

- Држете ги прстите подалеку од задниот дел на магнетната опрема кога ја прикачувате на површините. Поради јаката сила на влечење на магнетите, Вашите прсти може да се заглават.

Грубо центрирајте го држачот (10) пред да го вклучите мерниот уред.

Работење со целна табла за ласерот (додатоци)

Целната табла за ласерот (16) ја подобрува видливоста на ласерскиот зрак при неповолни услови и големи растојанија.

Рефлектирачката површина на целната табла на ласерот (16) ја подобрува видливоста на ласерската линија, низ транспарентната површина ласерската линија е видлива и од задната страна на целната табла на ласерот.

Работење со статив (опрема)

Стативот овозможува стабилна мерна подлога што може да се подесува по висина. Поставете го мерниот уред со 1/4"-прифатот на стативот (7) на навојот на стативот (17) или обичен фото статив. Зацврстете го мерниот уред со завртка за фиксирање на стативот.

Грубо центрирајте го стативот, пред да го вклучите мерниот уред.

Прицврстување со универзален држач (опрема)

Со помош на универзалниот држач **(15)** може да го прицврстите мерниот уред на пр. на вертикални површини или магнетизирани материјали. Универзалниот држач и исто така погоден и како поден став и го олеснува подесувањето по висина на мерниот уред.

Грубо центрирајте го универзалниот држач **(15)**, пред да го вклучите мерниот уред.

Ласерски заштитни очила (опрема)

Ласерските заштитни очила ја филтрираат околната светлина. На тој начин светлото на ласерот изгледа посветло за окото.

- ▶ **Не ги користете ласерските заштитни очила (дополнителна опрема) како заштитни очила.** Ласерските заштитни очила служат за подобро распознавање на ласерскиот зрак; сепак, тие не штитат од ласерското зрачење.
- ▶ **Не ги користете ласерските заштитни очила (дополнителна опрема) како очила за сонце или пак во сообраќајот.** Ласерските очила не даваат целосна UV-заштита и го намалуваат препознавањето на бои.

Примери за работа (види слики Н-К)

Примери за можностите на примена на мерниот уред ќе најдете на графичките страници.

Одржување и сервис**Одржување и чистење**

Постојано одржувајте ја чистотата на мерниот уред. Не го потопувајте мерниот уред во вода или други течности.

Избришете ги нечистотиите со влажна мека крпа. Не користете средства за чистење или раствори.

Редовно чистете ги површините околу излезниот отвор на ласерот и притоа внимавајте на влакненцата.

Мерниот уред складирајте го и транспортирајте го само во заштитната чанта **(20)**.

Во случај да треба да се поправи, пратете го мерниот уред во заштитната ташна **(20)**.

Сервисна служба и совети при користење

Сервисната служба ќе одговори на Вашите прашања во врска со поправката и одржувањето на Вашиот производ како и резервните делови. Ознаки за експлозија и информации за резервните делови исто така ќе најдете на: **www.bosch-pt.com**

Тимот за советување при користење на Bosch ќе ви помогне доколку имате прашања за нашите производи и опрема.

За сите прашања и нарачки на резервни делови, Ве молиме наведете го 10-цифрениот број од спецификационата плочка на производот.

Северна Македонија

Д.Д. Електрис
Сава Ковачевиќ 47 Њб, број 3
1000 Скопје
Е-пошта: dimce.dimcev@servis-bosch.mk
Интернет: www.servis-bosch.mk
Тел./факс: 02/ 246 76 10
Моб.: 070 595 888
Д.П.Т.У "РОЈКА"
Јани Лукровски бб; Т.Ц Автокоманда локал 69
1000 Скопје
Е-пошта: servisrojka@yahoo.com
Тел: +389 2 3174-303
Моб: +389 70 388-520, -530

Дополнителни адреси на сервиси може да најдете под:

www.bosch-pt.com/serviceaddresses

Отстранување

Мерните уреди, опремата и амбалажите треба да се отстранат на еколошки прифатлив начин.



Не ги фрлајте мерните уреди и батериите во домашната канта за отпадоци!

Само за земјите од ЕУ:

Според европската директива 2012/19/EU мерните уреди што се вон употреба и дефектните или искористените батерии според директивата 2006/66/EC мора одделно да се соберат и да се рециклираат за повторна употреба.

Srpski**Bezbednosne napomene**

Morate da pročitate i uvažite sva uputstva kako biste za mernim alatom radili bez opasnosti i bezbedno. Ukoliko se merni alat ne koristi u skladu sa priloženim uputstvima, to može da ugrozi zaštitne sisteme koji su integrirani u merni alat. Nemojte dozvoliti da pločice sa upozorenjima na mernom alatu budu nerazumljive. DOBRO SAČUVAJTE OVA UPUTSTVA I PREDAJTE IH ZAJEDNO SA ALATOM, AKO GA PROSLEDJUJETE DALJE.

- ▶ **Pažnja - ukoliko примените drugačije uređaje za rad ili podešavanje, osim ovde navedenih ili sprovedite druge vrste postupaka, to može dovesti do opasnog izlaganja zračenju.**
- ▶ **Merni alat se isporučuje sa pločicom uz upozorenje za laser (označeno u prikazu mernog alata na grafičkoj stranici).**

- ▶ **Ukoliko tekst na pločici sa upozorenjem za laser nije na vašem jeziku, prelepite je sa isporučenom nalepnicom na vašem jeziku, pre prvog puštanja u rad.**



Ne usmeravajte laserski zrak na osobe ili životinje i ne gledajte u direktan ili reflektovani laserski zrak. Na taj način možete da zaslepite lica, prouzrokuje nezgode ili da oštetite oči.

- ▶ **Ako lasersko zračenje dospe u oko, morate svesno da zatvorite oči i da glavu odmah okrenete od zraka.**
- ▶ **Nemojte da vršite promene na laserskoj opremi.**
- ▶ **Nemojte koristiti laserske naočare (pribor) kao zaštitne naočare.** Laserske naočare služe za bolje prepoznavanje laserskog zraka. Međutim, one ne štite od laserskog zračenja.
- ▶ **Nemojte koristiti laserske naočare (pribor) kao naočare za sunce ili u saobraćaju.** Laserske naočare ne pružaju potpunu UV zaštitu i smanjuju percepciju boja.
- ▶ **Merni alat sme da popravlja samo kvalifikovano osoblje i samo sa originalnim rezervnim delovima** Time se obezbeđuje, da sigurnost mernog alata ostaje sačuvana.
- ▶ **Ne dozvoljavajte deci da koriste laserski merni alat bez nadzora.** Mogli bi nenamerno da zaslepe druge osobe ili sebe.
- ▶ **Ne radite sa mernim alatom u okolini ugroženoj eksplozijom, u kojoj se nalaze zapaljive tečnosti, gasovi ili prašine.** U mernom alatu mogu nastati varnice, koje bi zapalile prašinu ili isparenja.



Magnetni pribor ne približavajte implantatima i drugim medicinskim uređajima, kao što su pejsmejkeri ili insulinske pumpe. Zbog magneta u priboru obrazuje se polje koje može da ugrozi funkciju implantata ili medicinskih uređaja.

- ▶ **Magnetni pribor držite daleko od magnetnih nosača podataka i uređaja osetljivih na magnete.** Zbog dejstva magneta iz pribora može da dođe do ireverzibilnog gubitka podataka.

Opis proizvoda i primene

Vodite računa o slikama u prednjem delu uputstva za rad.

Predviđena upotreba

Merni alat je namenjen za utvrđivanje i proveravanje vodoravnih i vertikalnih linija.

Merni alat je pogodan za upotrebu u spoljnom i unutrašnjem području.

Komponente sa slike

Označavanje brojevima komponenti sa slike odnosi se na prikaz mernog alata na grafičkoj stranici.

- (1) Izlazni otvor laserskog zraka
- (2) Prekidač za uključivanje/isključivanje

- (3) Prikaz baterije
- (4) Taster za režim rada lasera **Mode**
- (5) Pločica sa upozorenjem za laser
- (6) Serijski broj
- (7) Prijemnica za stativ 1/4"
- (8) Blokada poklopca pregrade za bateriju
- (9) Poklopac pregrade za bateriju
- (10) Držač (LB 10)^{a)}
- (11) Magnet^{a)}
- (12) Zavrtanji držača 1/4"^{a)}
- (13) Otvor za zavrtanji na držaču^{a)}
- (14) Plafonski nosač (DK 10)^{a)}
- (15) Univerzalni držač (BM 1)^{a)}
- (16) Ploča za ciljanje laserom^{a)}
- (17) Stativ (BT 150)^{a)}
- (18) Teleskopska šipka (BT 350)^{a)}
- (19) Naočare za laser^{a)}
- (20) Zaštitna torba^{a)}

a) **Prikazani ili opisani pribor ne spada u standardno pakovanje. Kompletni pribor možete da nadete u našem programu pribora.**

Tehnički podaci

Linijski laser	GLL 2-20 G
Broj artikla	3 601 K65 ...
Radno područje (radijus) ^{A)}	10 m
Preciznost nivelisanja ^{B)C)D)}	±0,4 mm/m
Područje samonivelisanja	±4°
Vreme nivelisanja	< 4 s
Radna temperatura	-5 °C ... +40 °C
Temperatura skladišta	-20 °C ... +70 °C
Maks. radna visina iznad referentne visine	2000 m
Maks. relativna vlažnost vazduha	90%
Stepen zaprljanosti prema standardu IEC 61010-1	2 ^{E)}
Klasa lasera	2
Tip lasera	< 10 mW, 500–540 nm
C ₆	10
Divergencija	30 × 20 mrad (pun ugao)
Prijemnica za stativ	1/4"
Baterije	4 × 1,5 V LR6 (AA)
Trajanje rada (za režim rada sa ukrštenim linijama) ^{B)}	5 h
Težina u skladu sa EPTA-Procedure 01:2014	0,62 kg

Linijski laser	GLL 2-20 G
Dimenzije (dužina × širina × visina)	111 × 72 × 119 mm
Vrsta zaštite	IP 64

- A) Radno područje može da se smanji zbog nepovoljnih okolnih uslova (npr. direktnog sunčevog zračenja).
- B) na **20–25 °C**
- C) Navedene vrednosti pretpostavljaju normalne do povoljne okolne uslove (npr. nema vibracija, nema magle, nema dima, nema direktnog sunčevog zračenja). Nakon jakih kolebanja temperature, može doći do odstupanja u preciznosti.
- D) važi na tački ukrštanja i odgovarajućim uglovima 90°/180°/270°
- E) Pojavljuje se neprovodljiva zaprljanost, pri čemu se očekuje privremena provodljivost prouzrokovana rošenjem.

Za jasnu identifikaciju vašeg mernog uređaja služi broj artikla **(6)** na pločici sa tipom.

Montaža

Ubacivanje/zamena baterija

Za režim rada mernog alata preporučuje se upotreba alkalno-manganskih baterija.

Radi otvaranja poklopca pregrade za baterije **(9)** pritisnite blokadni element **(8)** nagore i skinite poklopac pregrade za baterije. Ubacite baterije.

Pri tome pazite na to da polovi budu u skladu sa prikazom na unutrašnjoj strani pregrade baterije.

Prikaz baterije **(3)** uvek pokazuje aktuelni status baterije.

Ako su baterije skoro ispražnjene, prikaz baterije **(3)** treperi neprekidno. Linije lasera trepere na svakih 5 min po 5 s.

Kada su baterije prazne, linije lasera i prikaz baterije trepere još jednom, pre nego što se merni alat isključi.

Sve baterije uvek zamenite istovremeno. Upotrebljavajte samo baterije nekog proizvođača i sa istim kapacitetom.

- ▶ **Iz alata za merenje izvadite baterije, ako ga ne koristite duže vreme.** U slučaju dužeg skladištenja, baterije u mernom alatu bi mogle da korodiraju i da se isprazne same od sebe.

Režim rada

Puštanje u rad

- ▶ **Čuvajte merni alat od vlage i direktnog sunčevog zračenja.**
- ▶ **Merni alat nemojte da izlazete ekstremnim temperaturama ili promenama temperature.** Npr. nemojte ga predugo ostavljati u automobilu. U slučaju velikih promena temperature, merni alat najpre ostavite da se aklimatizuje i sprovedite pre daljih radova uvek proveru preciznosti (videti „Provera preciznosti nivelisanja mernog alata“, Strana 59). Kod ekstremnih temperatura ili kolebanja temperatura može da se ugrozi preciznost mernog alata.
- ▶ **Izbegavajte nagle udare ili padove mernog alata.** Nakon jakih spoljašnjih uticaja na merni alat, pre nastavka rada bi trebalo uvek da uradite proveru preciznosti (videti

„Provera preciznosti nivelisanja mernog alata“, Strana 59).

- ▶ **Isključite merni alat kada ga transportujete.** Pri isključivanju se blokira klatni uređaj, koji se inače pri jačim pokretima može oštetiti.

Uključivanje-isključivanje

Za **Uključivanje** mernog alata gurnite prekidač za uključivanje/isključivanje **(2)** u poziciju **ON**. Merni alat odmah po uključivanju odašilja laserske zrake iz izlaznih otvora **(1)**.

- ▶ **Ne usmeravajte laserski zrak na osobe ili životinje i ne gledajte u laserski zrak čak ni sa daljeg ožtojanja.**

Za **Isključivanje** mernog alata pomerite prekidač za uključivanje/isključivanje **(2)** u poziciju **OFF**. Kod isključivanja se jedinica za klatno zaključava.

- ▶ **Uključeni merni alat nikad ne ostavljajte bez nadzora i isključite ga nakon korišćenja.** Laserski zrak bi mogao da zaslepi druge osobe.

Automatsko isključivanje

Ako otprilike **120** min ne pritisnete nijedan taster na mernom alatu, merni alat se automatski isključuje radi zaštite baterija.

Kako biste ponovo uključili merni alat nakon automatskog isključivanja možete da pomerite prekidač za uključivanje/isključivanje **(2)** najpre u položaj „**OFF**“ i da zatim merni alat ponovo uključite ili da pritisnete taster za laserski režim rada **(4)**.

Da biste deaktivirali automatsko isključivanje, pritisnite (dok je merni alat uključen), taster za laserski režim rada **(4)** i zadržite ga najmanje 3 s. Kada se automatsko isključivanje deaktivira, laserski zraci nakratko zatrepere kao potvrda.

Da bi automatsko isključivanje aktivirali, isključite merni alat i ponovo ga uključite.

Vrste režima rada

Merni alat raspolaže sa više vrsta rada, koje možete u svako doba menjati:

- režim rada sa ukrštenim linijama (videti sliku **A**): formira horizontalnu i vertikalnu lasersku liniju prema napred,
- horizontalni režim rada (videti sliku **B**): formira horizontalnu lasersku ravan,
- vertikalni režim rada (videti sliku **C**): formira vertikalnu lasersku liniju prema napred.

Za promenu režima rada, pritisnite taster za režim rada lasera **(4)** sve dok se ne formiraju laserski zraci u željenom režimu rada.

Svi režimi rada su mogući sa automatskim nivelisanjem kao i sa funkcijom nagiba.

Automatsko nivelisanje

Merni alat tokom rada u svakom trenutku kontroliše položaj. Kod postavke unutar opsega samonivelisanja od $\pm 4^\circ$ uređaj radi sa automatskim nivelisanjem. Van opsega samonivelisanja, uređaj automatski prelazi u funkciju nagiba.

Rad sa automatskim nivelisanjem (videti slike A-C)

Postavite merni alat na horizontalnu, čvrstu podlogu, pričvrstite ga za držač (10) ili na stativ (17).

Automatsko nivelisanje automatski kompenzuje neravnine u okviru opsega samonivelisanja od $\pm 4^\circ$. Čim laserski zraci svetle trajno, merni alat je iznivelisan.

Ako automatsko nivelisanje nije moguće, npr. jer površina za stajanje mernog alata odstupa više od 4° od horizontale, laserske linije prvo trepere 2 s u brzom taktu. Laserske linije potom svetle 5 s, a nakon toga trepere svakih 5 s više puta u brzom taktu. Merni alat se nalazi u funkciji nagiba.

Za nastavak rada sa automatskim nivelisanjem, postavite merni alat vodoravno i sačekajte samonivelisanje. Čim se merni alat nalazi u okviru opsega samonivelisanja od $\pm 4^\circ$, laserski zraci konstantno svetle.

U slučaju potresa ili promena položaja tokom režima rada merni alat se automatski iznova nivelše. Proverite nakon nivelisanja poziciju laserskih zraka u odnosu na referentne tačke da biste izbegli greške usled pomeranja mernog alata.

Rad sa funkcijom nagiba (videti sliku K)

Postavite merni alat na podlogu pod nagibom. Kod rada sa funkcijom nagiba, laserske linije prvo 2 s trepere dugo u brzom taktu. Laserske linije potom svetle 5 s, a nakon toga trepere svakih 5 s više puta u brzom taktu.

Laserske linije se u funkciji nagiba više ne nivelšu i ne protežu prirodno vertikalno jedna prema drugoj.

Provera preciznosti nivelisanja mernog alata

Uticaji tačnosti

Najveći uticaj vrši temperatura okoline. Temperaturne razlike koje posebno idu od poda uvis mogu skrenuti laserski zrak.

S obzirom da je termička stratifikacija najveća u blizini tla, merni alat bi trebalo po mogućnosti da montirate na stativ i postavite po sredini radne površine.

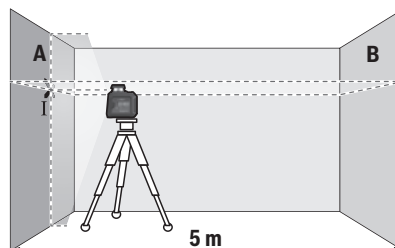
Pored spoljašnjih uticaja takođe i uticaji specifični za uređaje (kao npr. nagli padovi ili snažni udari) mogu da dovedu do odstupanja. Iz tog razloga pre svakog početka rada proverite preciznost nivelacije.

Ako bi merni alat pri jednoj od provera prekoračio maksimalno odstupanje, popravite ga u jednom **Bosch** servisu.

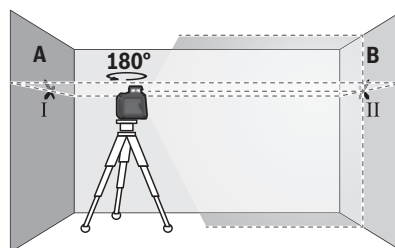
Provera preciznosti visine vodoravne linije

Za proveru potrebna vam je slobodna merna deonica od 5 m na čvrstoj podlozi između dva zida A i B.

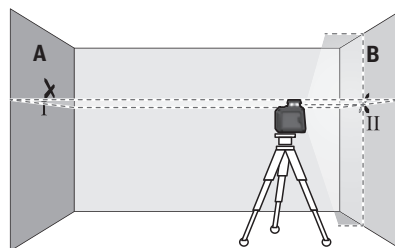
- Montirajte merni alat blizu zida A na stativ ili ga postavite na čvrstu ravnu podlogu. Uključite merni alat i izaberite režim rada sa ukrštenim linijama.



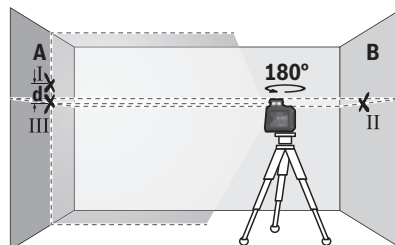
- Usmerite laser na bliski zid A i pustite da se merni alat nivelše. Označite sredinu tačke na kojoj se laserske linije na zidu ukrštaju (tačka I).



- Okrenite merni alat za 180° , pustite da se nivelše i označite tačku ukrštanja laserskih linija na suprotnom zidu B (tačka II).
- Stavite merni alat – bez okretanja – blizu zida B, uključite ga i pustite da se nivelše.



- Merni alat usmerite u vis tako (pomoću stativa ili po potrebi podmetanjem), da tačka ukrštanja laserskih linija tačno pogada prethodno označenu tačku II na zidu B.



- Merni alat okrenite za 180° , a da ne pomerate visinu. Usmerite ga prema zidu A, tako da vertikalna laserska

linija prolazi kroz već označenu tačku I. Pustite merni alat da se nivelše i označite tačku ukrštanja laserskih linija na zidu A (tačka III).

- Razlika **d** između dve označene tačke I i III na zidu A predstavlja stvarno odstupanje visine mernog alata.

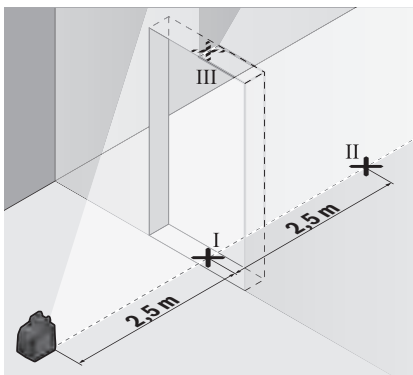
Na mernoj deonici od $2 \times 5 \text{ m} = 10 \text{ m}$ maksimalno dozvoljeno odstupanje iznosi:

$10 \text{ m} \times \pm 0,4 \text{ mm/m} = \pm 4 \text{ mm}$. Razlika **d** između tačaka I i III sme da iznosi maksimalno **4 mm**.

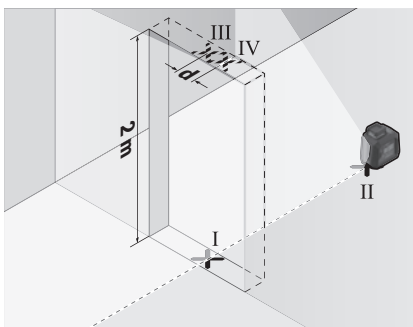
Kontrola tačnosti nivelisanja vertikalne linije

Za kontrolu potreban Vam je otvor od vrata, kod kojih (na čvrstoj zemlji) sa svake strane vrata ima najmanje 2,5 m prostora.

- Postavite merni alat na 2,5 m rastojanja od otvora vrata na čvrstu ravnu podlogu (ne na stativ). Uključite merni alat i izaberite vertikalni režim rada. Usmerite lasersku liniju na otvor vrata i iznivelšite merni alat.



- Označite sredinu vertikalne laserske linije na podu otvora za vrata (tačka I), na razdaljini od 5 m od druge strane otvora za vrata (tačka II) kao i na gornjoj ivici otvora za vrata (tačka III).



- Okrenite merni alat za 180° i stavite ga na drugu stranu otvora za vrata direktno iza tačke II. Pustite merni alat da se nivelše i vertikalnu lasersku liniju usmerite tako da njena sredina tačno kroz tačke I i II.

- Označite sredinu laserske linije na gornjoj ivici otvora za vrata kao tačku IV.
- Razlika **d** između dve označene tačke III i IV predstavlja stvarno odstupanje mernog alata od vertikale.
- Merite visinu otvora vrata.

Maksimalno dozvoljeno odstupanje izračunajte na sledeći način:

dupla visina otvora za vrata $\times 0,4 \text{ mm/m}$

Primer: Pri visini otvora vrata od **2 m** maksimalno odstupanje sme da iznosi

$2 \times 2 \text{ m} \times \pm 0,4 \text{ mm/m} = \pm 1,6 \text{ mm}$. Tačke III i IV smeju da budu na razmaku od najviše **1,6 mm**.

Uputstva za rad

- **Za označavanje uvek koristite sredinu laserske linije.** Širina laserske linije se menja sa udaljenošću.

Rad sa držačem LB 10 (pribor) (videti slike D–G)

Pomoću držača (**10**) možete merni alat da pričvrstite na vertikalne površine ili namagnetisane materijale. Pomoću plafonskog nosača (**14**) se merni alat može nivelisati po visini.

Merni alat sa prijemnicom za stativ od $1/4"$ (**7**) postavite na zavrtnj od $1/4"$ (**12**) držača i pritegnite ga.

Mogućnosti pričvršćivanja držača (**10**):

- pomoću pričvrstnog zavrtnja dostupnog u maloprodaji kroz otvor (**13**) na drvu (videti sliku **E**),
- pomoću magneta (**11**) na namagnetisanim površinama (videti sliku **F**),
- pomoću plafonskog nosača (**14**) na letvama tavanice (videti sliku **G**).

- **Ne približavajte prste zadnjjoj strani magnetnog pribora, kada ga pričvršćujete na površinu.** Usled vučne sile magneta možete prikleštiti prste.

Držač (**10**) grubo centrirajte, pre nego što uključite merni alat.

Rad sa pločom za ciljanje laserom (pribor)

Laserska ciljna tabla (**16**) poboljšava vidljivost laserskog zraka u nepovoljnim uslovima i na velikim udaljenostima.

Reflektujuća površina ploče za ciljanje laserom (**16**) poboljšava vidljivost laserske linije, kroz providnu površinu je laserska linija prepoznatljiva i sa zadnje strane ploče za ciljanje laserom.

Rad sa stativom (pribor)

Stativ nudi stabilnu mernu podlogu koja je podesiva po visini. Postavite merni alat sa prijemnicom za stativ $1/4"$ (**7**) na navoj stativa (**17**) ili običnog fotografskog stativa.

Pritegnite merni alat pomoću zavrtnja za fiksiranje stativa.

Centrirajte stativ grubo, pre nego što uključite merni alat.

Pričvršćivanje pomoću univerzalnog držača (pribor)

Pomoću univerzalnog držača (**15**) možete da pričvrstite merni alat npr. na vertikalnim površinama ili namagnetisanim materijalima. Univerzalan držač je isto tako pogodan kao i stativ za pod i olakšava centriranje po visini mernog alata.

Centrirajte univerzalni držač (15), pre nego što uključite merni alat.

Laserske naočari (pribor)

Laserske naočare za gledanje filtriraju okolnu svetlost. Na taj način izgleda svetlo lasera za oko svetlije.

- ▶ **Nemojte koristiti laserske naočare (pribor) kao zaštitne naočare.** Laserske naočare služe za bolje prepoznavanje laserskog zraka. Međutim, one ne štite od laserskog zračenja.
- ▶ **Nemojte koristiti laserske naočare (pribor) kao naočare za sunce ili u saobraćaju.** Laserske naočare ne pružaju potpunu UV zaštitu i smanjuju percepciju boja.

Radni primeri (pogledajte slike H-K)

Primere za mogućnosti primene mernog alata naći ćete na grafičkim stranama.

Uklanjanje đubreta

Merni alati, pribor i ambalaža treba da se uključe u reciklažu koja odgovara zaštiti čovekove okoline.



Merne alate i baterije nemojte bacati u kućni otpad!

Samo za EU-zemlje:

Prema evropskoj direktivi 2012/19/EU merni alati koji se više ne mogu koristiti, a prema evropskoj direktivi 2006/66/EC akumulatorske baterije/baterije koje su u kvaru ili istrošene moraju se odvojeno sakupljati i uključiti u reciklažu koja odgovara zaštiti čovekove sredine.

Održavanje i servis

Održavanje i čišćenje

Držite merni alat uvek čist.

Ne uranjajte merni alat u vodu ili druge tečnosti.

Brišite zaprljanja sa vlažnom, mekom krpom. Nemojte koristiti sredstva za čišćenje ili rastvarače.

Čistite redovno posebno površine na izlaznom otvoru lasera i pazite pritom na dlačice.

Čuvajte i transportujte merni pribor samo u zaštitnoj torbi (20).

U slučaju popravke, merni alat uvek šaljite u zaštitnoj torbi (20).

Servis i saveti za upotrebu

Servis odgovara na vaša pitanja u vezi sa popravkom i održavanjem vašeg proizvoda kao i u vezi sa rezervnim delovima. Šematske prikaze i informacije u vezi rezervnih delova naći ćete i pod: www.bosch-pt.com

Bosch tim za konsultacije vam rado pomaže tokom primene, ukoliko imate pitanja o našim proizvodima i njihovom priboru.

Molimo da kod svih pitanja i naručivanja rezervnih delova neizostavno navedete broj artikla sa 10 brojčanih mesta prema tipskoj pločici proizvoda.

Srpski

Bosch Elektroservis

Dimitrija Tucovića 59

11000 Beograd

Tel.: +381 11 644 8546

Tel.: +381 11 744 3122

Tel.: +381 11 641 6291

Fax: +381 11 641 6293

E-Mail: office@servis-bosch.rs

www.bosch-pt.rs

Dodatne adrese servisa pogledajte na:

www.bosch-pt.com/serviceaddresses

لا تقم بتقريب التوابع المغناطيسية
من الأجهزة الطبية المزروعة والأجهزة
الطبية الأخرى، مثل منظم ضربات
القلب أو مضخة الانسولين. تولد
مغناطيسات التوابع مجالاً قد يخل بوظيفة
الأجهزة الطبية المزروعة في الجسم أو
الأجهزة الطبية الأخرى.



◀ أبعد التوابع المغناطيسية عن وسائط حفظ
المعلومات المغناطيسية وعن الأجهزة
المساسة بالمغناطيس. فمن خلال تأثير
مغناطيسات التوابع يمكن أن يحدث فقدان
للبيانات بحيث يتعذر استعادتها.

وصف المنتج والأداء

يرجى الرجوع إلى الصور الموجودة في الجزء الأول من
دليل التشغيل.

الاستعمال المخصص

لقد خصصت عدة القياس لاستنتاج وتفحص الخطوط
الأفقية والعمودية.
تصلح عدة القياس للاستعمال في الداخل والخارج.

الأجزاء المصورة

يستند ترقيم الأجزاء المصورة إلى رسوم عدة القياس
الموجودة على صفحة الرسوم التخطيطية.

- (1) فتحة خروج أشعة الليزر
 - (2) مفتاح التشغيل والإطفاء
 - (3) بيان البطارية
 - (4) زر نوع تشغيل الليزر Mode
 - (5) لافتة تحذير الليزر
 - (6) الرقم المتسلسل
 - (7) حاضن الحامل ثلاثي القوائم 1/4 بوصة
 - (8) قفل غطاء درج البطاريات
 - (9) غطاء درج البطاريات
 - (10) الحامل (LB 10)^a
 - (11) مغناطيس^a
 - (12) لولب 1/4 بوصة للحامل^a
 - (13) ثقب لولب الحامل^a
 - (14) مشبك الأسقف (DK 10)^a
 - (15) الحامل العام (BM 1)^a
 - (16) لوحة تصويب الليزر^a
 - (17) حامل ثلاثي القوائم (BT 150)^a
 - (18) قضيب شد التليسكوب (BT 350)^a
 - (19) نظارة رؤية الليزر^a
 - (20) حقيبة واقية^a
- (a) لا يتضمن إطار التوريد الاعتيادي التوابع المصورة
أو المشروحة. تجد التوابع الكاملة في برنامجنا
للتوابع.

عربي

إرشادات الأمان

يجب قراءة جميع التعليمات ومراعاتها
للعمل بعدة القياس بأمان وبلا
مخاطر. في حالة استخدام عدة
القياس بشكل يخالف التعليمات
الواردة فقد يؤثر ذلك سلباً على
إجراءات الحماية في عدة القياس. لا تقم بطمس
اللافتات التحذيرية الموجودة على عدة القياس
أبداً. احتفظ بهذه التعليمات بحالة جيدة، واحرص
على إرفاقها بعدة القياس في حالة إعطائها
لشخص آخر.



◀ احترس - في حالة الاستخدام بطريقة تختلف
مع التجهيزات أو وسائل الضبط المذكورين أو
تطبيق طريقة عمل أخرى، فقد يؤدي ذلك إلى
التعرض لأشعة الشمس بشكل خطير.

◀ يتم تسليم عدة القياس مع لافتة تحذيرية لليزر
(يتم تمييزها في صورة عدة القياس في
صفحة الرسوم التخطيطية).

◀ إذا لم يكن الكلام المكتوب في اللافتة
التحذيرية لليزر بلغة بلدك، قم بلمصق اللافتة
المرققة بلغة بلدك عليه قبل التشغيل للمرة
الأولى.

لا توجه شعاع الليزر على الأشخاص أو
الحيوانات ولا توجه نظرك إلى شعاع
الليزر المباشر أو المنعكس. حيث
يتسبب ذلك في إبهار الأشخاص أو في
وقوع حوادث أو حدوث أضرار بالعينين.
◀ في حالة سقوط أشعة الليزر على العين، فقم
بغلقها على الفور، وأبعد رأسك عن شعاع
الليزر.



◀ لا تقم بإجراء تغييرات على جهاز الليزر.
◀ لا تستخدم نظارة رؤية الليزر (الملحقات)
كنظارة حماية. فنظارة رؤية الليزر تستخدم
لاستقبال شعاع الليزر بشكل أفضل، إلا أنها لا تحمي
من إشعاع الليزر.

◀ لا تستخدم نظارة رؤية الليزر (توابع) كنظارة
شمس أو كنظارة للارتداء أثناء الحركة
المرورية. لا تقوم نظارة رؤية الليزر بالحماية التامة
من الأشعة فوق البنفسجية، كما أنها تقلل القدرة
على تمييز الألوان.

◀ لا تقم بإصلاح عدة القياس إلا لدى فنيين
متخصصين مؤهلين مع الإقتصار على استخدام
قطع الغيار الأصلية. يضمن ذلك المحافظة على
أمان عدة القياس.

◀ لا تدع الأطفال يستخدمون عدة القياس
بالليزر دون مراقبة. قد تسبب عمى لنفسك أو
لأشخاص آخرين دون قصد.

◀ لا تعمل بعدة القياس في نطاق معرض لخطر
الانفجار، الذي تتوفر به السوائل أو الغازات أو
الأغبرة القابلة للاحتراق. قد يُنتج الشرر في عدة
القياس، فيشعل هذه الأغبرة أو الأبخرة.

لفتح غطاء حجرة البطاريات (9) اضغط القفل (8) إلى أعلى، وأخلع غطاء حجرة البطاريات. قم بتركيب البطاريات.

احرص على مراعاة اتجاه الأقطاب الصحيح طبقاً للشكل الموضح في حيز البطاريات من الداخل. يشير مبين البطاريات (3) دائماً إلى حالة شحن البطاريات حالياً.

في حالة فراغ شحنة البطاريات، يومض مبين البطاريات (3) باستمرار. تومض خطوط الليزر 5 دقائق لمدة 5 ثوانٍ.

في حالة فراغ شحنة البطاريات، تومض خطوط الليزر ومبين البطاريات مرة أخرى، قبل أن يتم إطفاء عدة القياس.

قم بتغيير كل البطاريات في نفس الوقت. اقتصر على استخدام البطاريات من نفس النوع والقدرة.

◀ **انزع البطاريات من عدة القياس عند عدم استعمالها لفترة طويلة.** البطاريات يمكن أن تصدأ وتفرغ شحنتها ذاتياً في حالة تخزينها لفترة طويلة نسبياً داخل عدة القياس.

التشغيل

بدء التشغيل

◀ **قم بحماية عدة القياس من الرطوبة وأشعة الشمس المباشرة.**

◀ **لا تعرّض عدة القياس لدرجات الحرارة أو التقلبات الحرارية الشديدة.** لا تتركها لفترة طويلة في السيارة مثلاً. دع العدة الكهربائية تصل إلى درجة حرارة معتدلة وذلك في حالة التقلبات الشديدة في درجة الحرارة وافحص مدى الدقة قبل مواصلة العمل (انظر „فحص مدى دقة عدة القياس“، الصفحة 64).

قد تفل درجات الحرارة الشديدة أو التقلبات الشديدة بدرجات الحرارة بدقة عدة القياس.

◀ **تجنب الصدمات الشديدة بعدة القياس أو سقوطها على الأرض.** في حالة تعرّض عدة القياس لتأثيرات خارجية قوية، يجب دائماً إجراء فحص لمدى الدقة قبل استئناف العمل (انظر „فحص مدى دقة عدة القياس“، الصفحة 64).

◀ **اطفئ عدة القياس عندما القيام بنقلها.** يتم إقفال وحدة التارجع عند الإطفاء، فقد تلتف من خلال الحركات الشديدة.

التشغيل والإيقاف

لغرض تشغيل عدة القياس، حرك مفتاح التشغيل والإطفاء (2) إلى الوضع ON. تقوم عدة القياس بعد التشغيل مباشرة بإرسال أشعة الليزر من فتحات الخروج (1).

◀ **لا توجه شعاع الليزر على الأشخاص أو الحيوانات ولا توجه أنت نظرك إلى شعاع الليزر، ولا حتى عن بعد كبير.**

لغرض إطفاء عدة القياس، حرك مفتاح التشغيل والإطفاء (2) إلى الوضع OFF. عند الإطفاء يتم تأمين قفل وحدة التارجع.

◀ **لا تترك عدة القياس قيد التشغيل دون مراقبة، واطفئ عدة القياس بعد استعمالها.** قد يتم إبهار أشخاص آخرين بشعاع الليزر.

البيانات الفنية

جهاز الليزر الخطي	
GLL 2-20 G	
رقم الصنف	3 601 K65 ...
نطاق العمل (نصف القطر) ^(A)	10 متر
دقة التسوية ^{(D)(C)(B)}	±0,4 مم/متر
نطاق التسوية الذاتية	±4°
زمن التسوية	> 4 ثوانٍ
درجة حرارة التشغيل	-5° م ... +40° م
درجة حرارة التخزين	-20° م ... +70° م
المد الأقصى لارتفاع الاستخدام فوق الارتفاع المرجعي	2000 متر
المد الأقصى للرطوبة الجوية النسبية	90 %
درجة الانساق تبعاً للمعيار IEC 61010-1 ^(E)	2 ^(F)
فئة الليزر	2
طراز الليزر	> 10 مللي واط، 500-540 نانومتر
C ₆	10
التفاوت	30 × 20 مللي راد (زاوية كاملة)
حاضن الحامل ثلاثي القوائم	1/4 بوصة
البطاريات	4 × 1,5 فلت (AA) LR6
زمن التشغيل (في طريقة تشغيل الخطوط المتصالية) ^(B)	5 ساعات
الوزن حسب EPTA-Procedure 01:2014	0,62 كجم
الأبعاد (الطول × العرض × الارتفاع)	111 × 72 × 119 مم
فئة الحماية	IP 64

(A) قد يقل مجال العمل من خلال شروط الأجواء غير الملائمة (مثلاً: التعرض لأشعة الشمس المباشرة).

(B) عند درجة حرارة 20-25° م

(C) يُشترط لسريان القيم المذكورة أن تكون الظروف المحيطة طبيعية أو حتى مناسبة (على سبيل المثال دون اهتزازات، دون ضباب، دون أدخنة، دون التعرض لأشعة الشمس المباشرة). في حالة التقلبات الكبيرة في درجات الحرارة قد يتسبب ذلك في اختلافات في درجة الدقة.

(D) يسرى على نقاط التقاطع والزوايا الخاصة بها 270°/90°

(E) لا يحدث انساق موصل للكهرباء، ولكن في بعض الأحيان قد يتسبب التكتيف في وجود اتساق موصل للكهرباء بصورة مؤقتة.

لتمييز عدة القياس بوضوح، ارجع إلى الرقم المتسلسل (6) على لوحة الصنع.

التركيب

تركيب/استبدال البطاريات

لتشغيل عدة القياس يُنصح باستخدام بطاريات المتجنيز القلوية.

في حالة الاهتزازات أو تغيير المواقع أثناء التشغيل، يتم ضبط استواء عدسة القياس أو توماتيكا مرة أخرى. افحص مركز أشعة الليزر بعد إعادة التسوية بالنسبة إلى النقط المرجعية بهدف تجنب الأخطاء الناتجة عن إزاحة عدسة القياس.

العمل مع وظيفة الإمالة (انظر الصورة K)

ضع عدسة القياس على أرضية مائلة. عند العمل مع وظيفة الميل توضع خطوط الليزر في البداية لمدة ثابنتين بإيقاع سريع. بعدها تضيء خطوط الليزر لمدة 5 ثوان، ثم توضع كل 5 ثوان عدة مرات بإيقاع سريع.

في وظيفة الميل لن يتم ضبط استواء خطوط الليزر، ولن تكون متعامدة بالضرورة على بعضها البعض.

فحص مدى دقة عدسة القياس

عوامل مؤثرة على الدقة

تشكل درجة الحرارة المحيطة التأثير الأكبر على الدقة. وقد تؤدي تقلبات درجات الحرارة السارية من الأرض نحو الأعلى إلى انعكاس شعاع الليزر.

نظرا لأن التطبيق الحراري بالقرب من الأرضية يكون أكبر ما يمكن، يجب قدر الإمكان تركيب عدسة القياس على حامل ثلاثي القوائم ووضعه في منتصف سطح العمل.

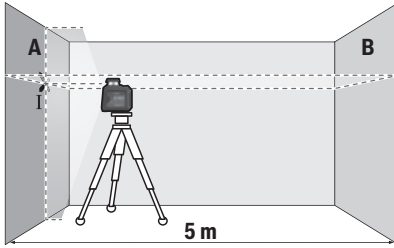
بالإضافة إلى التأثيرات الخارجية، يمكن أن تؤدي التأثيرات الخاصة بالجهاز (مثل السقوط أو الصدمات العنيفة) إلى حدوث تفاوتات. لذلك احرص دائما على فحص دقة ضبط الاستواء عند كل مرة تبدأ فيها بالعمل.

احرص على تصليح عدسة القياس لدى مركز خدمة العملاء بشركة **Bosch** في حالة تجاوزها للتفاوت الأقصى أثناء إحدى عمليات الفحص.

افحص دقة ارتفاع الخط الأفقي

لكي يتم الفحص، فإنك بحاجة إلى مسافة قياس خالية على أرضية ثابتة بعدد يبلغ حوالي 5 م بين الجدارين A و B.

– قم بتركيب عدسة القياس قرب الجدار A على حامل ثلاثي القوائم، أو وضعها على أرضية ثابتة ومستوية. قم بتشغيل عدسة القياس، واختر طريقة التشغيل المتعامد.



– قم بتوجيه الليزر إلى الجدار القريب A ودع عدسة القياس ليتم ضبط استوائها. قم بتمييز منتصف النقطة التي تتعامد فيها خطوط الليزر على الجدار (النقطة I).

آلية إيقاف

في حالة عدم الضغط على عدسة القياس لمدة 120 دقيقة تقريبا، تنطفئ عدسة القياس بشكل أوتوماتيكي للحفاظ على البطاريات.

إعادة تشغيل عدسة القياس بعد إيقاف الأوتوماتيكي يمكنك إما تمرير مفتاح التشغيل والإطفاء (2) أولا إلى الموضع „OFF“ ثم تشغيل عدسة القياس مجددا أو الضغط على زر طريقة تشغيل الليزر (4).

إيقاف تفعيل آلية إيقاف الأوتوماتيكي، احتفظ (عندما تكون عدسة القياس مشغلة) بزر نوع تشغيل الليزر (4) مضغوطة لمدة 3 ث على الأقل. عند إيقاف فعالية آلية إيقاف الأوتوماتيكية توضع أشعة الليزر لغرض التأكيد.

لتشغيل آلية الإطفاء، تطفأ عدسة القياس ثم يعاد تشغيلها بعد ذلك.

طرق التشغيل

تمتاز عدسة القياس بعدة أنواع للتشغيل، ويمكن الانتقال من نوع لآخر في أي وقت:

- طريقة التشغيل المتعامد (انظر الصورة A): ينتج عنها خط ليزر أفقي وآخر رأسي إلى الأمام،
- طريقة التشغيل الأفقي (انظر الصورة B): ينتج عنها خط ليزر أفقي،
- طريقة التشغيل الرأسي (انظر الصورة C): تشكل خط ليزر رأسي.

لتحويل طريقة التشغيل، كرر الضغط على زر طريقة تشغيل الليزر (4) إلى أن تصدر أشعة الليزر بنوع التشغيل المرغوب.

طرق التشغيل متاحة سواء مع آلية ضبط الاستواء أو وظيفة الإمالة.

آلية التسوية

تراقب عدسة القياس الوضع دائما أثناء التشغيل. في حالة الوضع داخل نطاق الاستواء الذاتي البالغ $\pm 4^\circ$ فإنها تعمل باستخدام آلية التسوية. خارج نطاق الاستواء الذاتي يتم الانتقال أوتوماتيكي إلى وظيفة الميل.

العمل مع آلية التسوية (انظر الصور C-A)

ضع عدسة القياس على أرضية أفقية وثابتة، وثبتها على الحامل (10) أو الحامل ثلاثي القوائم (17).

تقوم آلية التسوية بتسوية مواضع عدم الاستواء ضمن نطاق التسوية الذاتية بمقدار $\pm 4^\circ$ بشكل أوتوماتيكي. بمجرد إضاءة أشعة الليزر بشكل مستمر فهذا يعني أن أداة القياس تم تسويتها.

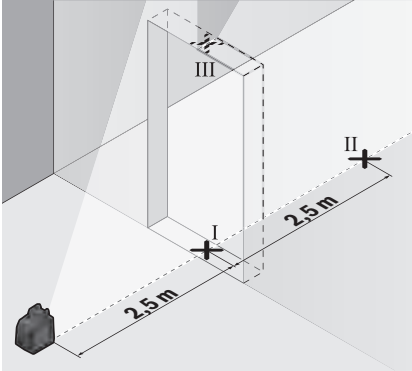
إذا كانت آلية التسوية غير ممكنة، على سبيل المثال، نظرا لأن نطاق ووقوف عدسة القياس يميل بزاوية تزيد على 4° عن الخط الأفقي، توضع خطوط الليزر في البداية لمدة ثابنتين بإيقاع سريع. بعدها تضيء خطوط الليزر لمدة 5 ثوان، ثم توضع كل 5 ثوان عدة مرات بإيقاع سريع. عدسة القياس موجودة في وظيفة الميل.

لمواصلة العمل باستخدام آلية التسوية أوقف عدسة القياس بشكل أفقي، وانتظر ضبط الاستواء الذاتي. ستضيء أشعة الليزر بشكل مستمر فور تواجد عدسة القياس ضمن مجال التسوية الذاتية البالغ $\pm 4^\circ$.

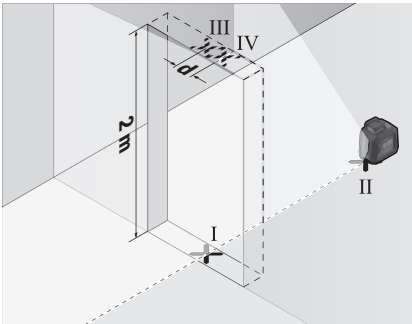
الفرق **d** بين النقطتين **ا** و **ب** حوالي **4** مم على أقصى تقدير.

تفحص دقة التسوية بالخط العامودي

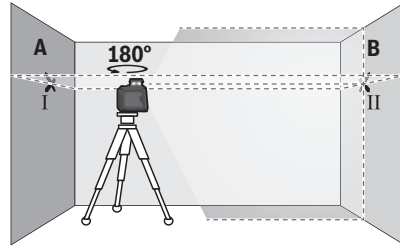
- لكي يتم الفحص، ستحتاج لفتحة باب بعد أدنى 2,5 م (على أرضية ثابتة) على كل جانب من جوانب الباب.
- أوقف عدسة القياس على مسافة 2,5 م من فتحة الباب على أرضية ثابتة ومستوية (ليس على الحامل ثلاثي القوائم). قم بتشغيل عدسة القياس، واختر طريقة التشغيل الرأسية. قم بمحاذاة خطوط الليزر على فتحة الباب، ودع عدسة القياس ليتم ضبط استوائها.



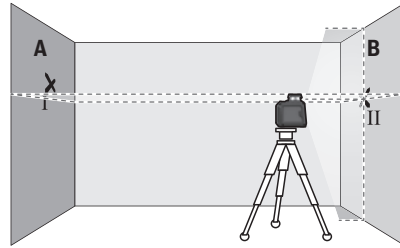
- قم بتمييز منتصف خط الليزر العامودي على أرض فتحة الباب (النقطة **ا**) وعلى بعد 5 م من الجانب الآخر من فتحة الباب (النقطة **ب**) وأيضاً على الحافة العلوية بفتحة الباب (النقطة **ب**).



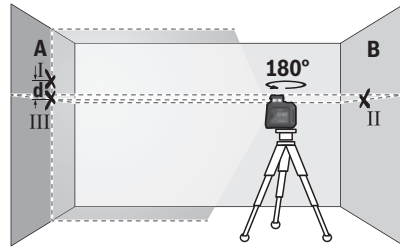
- أدر عدسة القياس بمقدار 180° وضعها على الجانب الآخر من فتحة الباب مباشرة خلف النقطة **ا**. دع عدسة القياس تقوم بضبط الاستواء ذاتياً ووجه خط الليزر العامودي بحيث يمر منتصفه من النقطتين **ا** و **ب** بدقة.
- قم بتمييز منتصف خط الليزر على الحافة العلوية بفتحة الباب على النقطة **ب**.
- إن الفرق **d** بين النقطتين **ا** و **ب** والمعلمتين **III** و **IV** يشكل تفاوتاً حقيقياً بعدة القياس من الوضع الرأسية.



- أدر عدسة القياس بمقدار 180° درجة، ودعها تقوم بضبط الاستواء بنفسها وقم بتمييز منتصف نقطة تقاطع خطي الليزر على الجدار المقابل **B** (النقطة **ب**).
- ضع عدسة القياس - دون إدارتها - بالقرب من المائط **B**، وقم بتشغيلها، ودعها تقوم بضبط الاستواء ذاتياً.



- قم بتوجيه ارتفاع عدسة القياس (بواسطة الحامل ثلاثي القوائم أو من خلال وضع شيء ما تمتها عند الضرورة) بحيث تصيب نقطة تقاطع خطي الليزر بدقة النقطة **ب** التي سبق وتم تعليمها على الجدار **B**.



- أدر عدسة القياس بمقدار 180° ، دون تغيير الارتفاع. قم بتوجيهها على الجدار **A** بحيث يمر خط الليزر العامودي عبر النقطة **ا** التي سبق تمييزها. دعها تقوم بالتسوية بنفسها وقم بتمييز نقطة تقاطع خطي الليزر على الجدار **A** (النقطة **ب**).
- إن الفرق **d** بين النقطتين **ا** و **ب** المعلمتين على الجدار **A**، يشكل تفاوت الارتفاع الحقيقي بعدة القياس.
- في مسافة القياس $2 \times 5 = 10$ م يبلغ التفاوت الأقصى المسموح به: $10 \times 0,4 \pm = 4 \pm$ مم. وبالتالي يجب أن يكون

الحامل العام مناسب أيضا للاستخدام كحامل أرضي بحيث يسهل ضبط ارتفاع عدة القياس. قم بتوجيه الحامل العام (15) بشكل تقريبي قبل تشغيل عدة القياس.

نظارات رؤية الليزر (التوابع)

إن نظارات رؤية الليزر تقوم بترشيح الضوء المحيط، وبذلك يبدو ضوء الليزر الأحمر أكثر سطوعا للعين.

◀ لا تستخدم نظارة رؤية الليزر (الملحقات)

كنظارة حماية. فنظارة رؤية الليزر تستخدم لاستقبال شعاع الليزر بشكل أفضل، إلا أنها لا تحمي من إشعاع الليزر.

◀ لا تستخدم نظارة رؤية الليزر (توابع) كنظارة

شمس أو كنظارة للارتداء أثناء الحركة المرورية. لا تقوم نظارة رؤية الليزر بالحماية التامة من الأشعة فوق البنفسجية، كما أنها تقلل القدرة على تمييز الألوان.

أمثلة شغل (انظر الصور H-K)

يعثر على أمثلة لاستخدامات عدة القياس على صفحات الرسوم التخطيطية.

الصيانة والخدمة

الصيانة والتنظيف

حافظ دائما على نظافة عدة القياس.

لا تغطس عدة القياس في الماء أو غيرها من السوائل.

امسح الأوساخ بواسطة قطعة نسيج طرية ورطبة. لا تستخدم مواد تنظيف أو مواد مذيبة.

نظف خاصة السطوح عند فتحة خروج الليزر بشكل منظم واتبه للنسالة أثناء ذلك.

قم بتخزين عدة القياس ونقلها باستخدام الحقيبة الواقية فقط (20).

رُسل عدة القياس في حال توجب تصليحها في حقيبة الوقاية (20).

خدمة العملاء واستشارات الاستخدام

يجب مركز خدمة العملاء على الأسئلة المتعلقة بإصلاح المنتج وصيانتته، بالإضافة لقطع الغيار. تجد الرسوم التفصيلية والمعلومات الخاصة بقطع الغيار في الموقع: www.bosch-pt.com

يسر فريق Bosch لاستشارات الاستخدام مساعدتك إذا كان لديك أي استفسارات بخصوص منتجاتنا وملحقاتها.

يلزم ذكر رقم الصنف ذو الخانات العشر وفقا للوحة صنع المنتج عند إرسال أية استفسارات أو طلبيات قطع غيار.

المغرب

Robert Bosch Morocco SARL

53، شارع الملازم محمد محروم

20300 الدار البيضاء

الهاتف: 27 31 43 29 21 21

البريد الإلكتروني: sav.outillage@ma.bosch.com

تجد المزيد من عناوين الخدمة تحت:

www.bosch-pt.com/serviceaddresses

– يقاس ارتفاع فتحة الباب.

يمكنك حساب أقصى تفاوت كالتالي:

ضعف ارتفاع فتحة الباب $\times 0,4$ م/م

مثال: عندما يكون ارتفاع فتحة الباب 2 م يجوز أن يكون أقصى تفاوت

$2 \times 0,4 = 0,8$ م. أي أنه يجوز أن

تبعد التقطين III و IV عن بعضها بمسافة أقصاها

1,6 م.

إرشادات العمل

◀ يستخدم دائما منتصف خط الليزر للتعليم فقط. يتغير عرض خط الليزر بزيادة البعد.

العمل مع الحامل LB 10 (التوابع)

(انظر الصور G-D)

يمكن باستخدام الحامل (10) تثبيت عدة القياس على الأسطح الرأسية أو الخامات المغناطيسية. يمكن

معاذاة ارتفاع عدة القياس بالاشتراك مع مشبك الأسقف (14).

قم بوضع عدة القياس بواسطة حاضن الحامل ثلاثي القوائم 1/4 بوصة (7) على لوب الحامل 1/4 بوصة (12)، وقم بربطه بإحكام.

بواسطة (12)، وقم بربطه بإحكام.

إمكانيات تثبيت الحامل (10):

– بواسطة لوب التثبيت المتداول في الأسواق عبر ثقب اللولب (13) في الخشب (انظر الصورة E).

– بواسطة مغناطيس (11) في الخامات المغناطيسية (انظر الصورة F).

– بواسطة مشبك الأسقف (14) في عوارض السقف (انظر الصورة G).

◀ أبعد أصابعك عن الجانب الخلفي للتوابع

المغناطيسية عند تثبيت التوابع على الأسطح. فقد تتعرض أصابعك للانحصار نتيجة لقوة جذب المغناطيس.

ينبغي تسوية الحامل (10) بشكل تقريبي قبل تشغيل عدة القياس.

العمل بواسطة لوحة تصويب الليزر (التوابع)

تقوم لوحة تصويب الليزر (16) بتحسين إمكانية رؤية شعاع الليزر عندما تكون الأجواء غير ملائمة والمسافات كبيرة.

يقوم السطح العاكس بلوحة تصويب الليزر (16)

بتحسين إمكانية رؤية خط الليزر، ويمكن من خلال السطح الشفاف رؤية خط الليزر أيضا من الجانب الخلفي بلوحة تصويب الليزر.

العمل بواسطة الحامل ثلاثي القوائم (التوابع)

يتيح الحامل ثلاثي القوائم أرضية قياس ثابتة يمكن ضبط ارتفاعها. ضع عدة القياس باستخدام حاضن الحامل ثلاثي القوائم 1/4 بوصة (7) على فلاووظ الحامل ثلاثي القوائم (17) أو على حامل تصوير من المتداول في الأسواق. أحكم ربط عدة القياس عن طريق لولب ربط الحامل ثلاثي القوائم.

باشر بتسوية المنصب الثلاثي القوائم بشكل غير دقيق قبل أن تشغل عدة القياس.

التثبيت بواسطة الحامل العام (توابع)

يمكن باستخدام الحامل العام (15) تثبيت عدة القياس على الأسطح الرأسية أو الخامات المغناطيسية.

التخلص من العدة الكهربائية

يجب التخلص من عدد القياس والتوابع والتغليف بطريقة محافظة على البيئة عن طريق تسليمها لمراكز النفايات القابلة لإعادة التصنيع.

لا تلق عدد القياس والبطاريات ضمن النفايات المنزلية!



فقط لدول الاتحاد الأوروبي:

حسب التوجيه الأوروبي 2012/19/EU، يجب أن يتم جمع أجهزة القياس غير الصالحة للاستعمال، وحسب التوجيه الأوروبي 2006/66/EC يجب أن يتم جمع المراكز/البطاريات التالفة أو المستهلكة كل على حدة ليتم التخلص منها بطريقة محافظة على البيئة عن طريق تسليمها لمراكز النفايات القابلة لإعادة التصنيع.

جرقه هایی توسط ابزار اندازه گیری وجود دارد که می تواند منجر به اشتعال گرد و غبار و یا بخارهای موجود در هوا بشود.

ابزار اندازه متعلقات مغناطیسی را در نزدیکی ایمپلنتها و سایر دستگاههای پزشکی برای مثال باتری قلب یا پمپ انسولین قرار ندهید. ه گیری و در اثر آهنربای موجود در متعلقات، میدانی به وجود میآید که ممکن است عملکرد ایمپلنتها یا دستگاههای پزشکی را تحت تاثیر قرار دهد.



◀ **متعلقات مغناطیسی را از ذخیرهسازهای مغناطیسی و دستگاههای حساس به مغناطیس دور نگهدارید.** تاثیرات مغناطیسی متعلقات مغناطیسی ممکن است منجر به از بین رفتن غیر قابل بازگشت اطلاعات شود.

توضیحات محصول و کارکرد

به تصویرهای واقع در بخشهای اول دفترچه راهنما توجه کنید.

موارد استفاده از دستگاه

ابزار اندازهگیری برای برداشتن اندازهها و کنترل خطوط افقی و عمودی در نظر گرفته شده است. این ابزار برقی برای استفاده در فضای بیرونی و فضای داخلی ساختمان در نظر گرفته شده است.

اجزاء دستگاه

شماره های اجزاء دستگاه که در تصویر مشاهده میشود، مربوط به شرح ابزار اندازه گیری می باشد که تصویر آن در این دفترچه راهنما آمده است.

- (1) منفذ خروجی پرتو لیزر
- (2) کلید روشن/خاموش
- (3) نشانگر باتری
- (4) دکمه نوع عملکرد لیزر Mode
- (5) برچسب هشدار لیزر
- (6) شماره سری
- (7) محل اتصال سه پایه 1/4"
- (8) قفل درپوش محفظه باتری
- (9) درپوش محفظه باتری
- (10) نگهدارنده (LB 10)^a
- (11) آهنربا^a
- (12) پیچ 1/4" نگهدارنده^a
- (13) سوراخ پیچ نگهدارنده^a
- (14) گیره سقفی (DK 10)^a
- (15) نگهدارنده عمومی (BM 1)^a
- (16) صفحه هدف لیزر^a
- (17) سه پایه (BT 150)^a
- (18) میله تلسکوپی (BT 350)^a
- (19) عینک دید لیزر^a

فارسی

دستورات ایمنی



جهت کار کردن بی خطر و ایمن با ابزار اندازه گیری به تمام راهنماییها توجه کنید. در صورتی که ابزار اندازه گیری طبق دستورات زیر بکار برده نشود، ممکن است تجهیزات حفاظتی موجود در ابزار آسیب ببینند. برچسب های هشدار بر روی ابزار برقی را هرگز نپوشانید. این راهنماییها را خوب نگهدارید و آن را هنگام دادن ابزار اندازه گیری فراموش نکنید.

◀ **احتیاط - چنانچه سایر موارد کاربری یا تنظیمی یا روشهای دیگر غیر از مواد ذکر شده در این دفترچه به اجرا درآیند، می تواند منجر به قرار گرفتن خطرناک در معرض تابش پرتو گردد.**

◀ **ابزار اندازه گیری به همراه یک برچسب هشدار لیزر ارسال میگردد (در نمایش ابزار اندازه گیری در صفحه تصاویر مشخص شده است).**

◀ **چنانچه متن برچسب هشدار لیزر به زبان شما نیست، برچسب هشدار ارسال شده به همراه دستگاه به زبان کشور خود را قبل از اولین راه اندازی روی برچسب هشدار بچسبانید.**



جهت پرتو لیزر نباید به طرف افراد و یا حیوانات باشد و خودتان هم مستقیماً به پرتو لیزر یا بازتاب آن نگاه نکنید. این کار ممکن است منجر به خیره شدگی افراد، بروز سانحه یا آسیب دیدگی چشم گردد.

◀ **در صورت برخورد پرتوی لیزر به چشم، چشمها را فوراً ببندید و سر را از محدوده ی پرتوی لیزر خارج کنید.**

◀ **هیچ گونه تغییری در تنظیمات لیزر انجام ندهید.**

◀ **از عینک دید لیزر (متعلقات) به عنوان عینک ایمنی استفاده نکنید.** عینک دید لیزر برای تشخیص بهتر پرتو لیزر در نظر گرفته شده است؛ ولی محافظتی در برابر پرتو لیزر نمی کند.

◀ **از عینک دید لیزر (متعلقات) به عنوان عینک آفتابی یا هنگام راندگی استفاده نکنید.** عینک دید لیزر دارای حفاظت کامل در برابر اشعه ماوراء بنفش نیست و تشخیص رنگ را کاهش می دهد.

◀ **برای تعمیر ابزار اندازهگیری فقط به متخصصین حرفه ای رجوع کرده و از وسایل یدکی اصل استفاده کنید.** به این ترتیب ایمنی ابزار اندازه گیری تضمین می شود.

◀ **اجازه ندهید کودکان بدون نظارت از ابزار اندازه گیری لیزری استفاده کنند.** ممکن است ناخواسته چشم دیگران یا خودتان دچار خیرگی شود.

◀ **با ابزار اندازهگیری در محیط دارای قابلیت انفجار، دارای مایعات، گازها یا گرد و غبارهای قابل اشتعال کار نکنید.** امکان تولید

نصب

قراردادن/تعویض باتری

برای کار ابزار اندازه گیری استفاده از باتریهای آلکالین-منیزیم توصیه می شود.

برای باز کردن درپوش محفظه باتری (9) دکمه قفل کننده (8) را به بالا فشار دهید و درپوش محفظه باتری را بردارید. باتریها را قرار دهید.

در این حین به نحوه ی صحیح قطبگذاری بر طبق تصویر روی قسمت داخلی درپوش باتری توجه کنید. نشانگر باتری (3) همیشه وضعیت کنونی باتری را نشان می دهد.

اگر باتری ها تقریباً خالی شوند، نمایشگر باتری (3) بطور ممتد چشمک می زند. خطوط لیزر هر 5 min به مدت 5 s چشمک می زنند.

در صورت خالی شدن باتری ها، خطوط لیزر و نشانگر باتری مجدداً قبل از خاموش شدن ابزار اندازه گیری چشمک می زنند.

همواره همه ی باتری ها را همزمان عوض کنید. تنها از باتری های یک شرکت و با ظرفیت یکسان استفاده نمایید.

◀ در صورت عدم استفاده طولانی مدت از ابزار اندازه گیری، باتریها را بیرون آورید. در صورت نگهداری طولانی مدت باتریها در ابزار اندازه گیری ممکن است باتریها فرسوده و خود به خود خالی شوند.

طرز کار با دستگاه

راه اندازی و نحوه کاربرد دستگاه

- ◀ ابزار اندازه گیری را در برابر رطوبت و تابش مستقیم نور خورشید محفوظ بدارید.
- ◀ ابزار اندازه گیری را در معرض دمای بسیار بالا یا نوسانات دما قرار ندهید. به عنوان مثال ابزار اندازه گیری را برای مدت طولانی در ماشین قرار ندهید. اجازه دهید تا ابزار اندازه گیری در نوسانات شدید دمایی ابتدا خنک شود و همیشه قبل از ادامه کار یک بررسی دقیق انجام دهید (رجوع کنید به «کنترل دقت ابزار اندازه گیری»، صفحه 70).
- در دماهای شدید یا نوسانات دمایی ممکن است دقت ابزار اندازه گیری تحت تأثیر قرار بگیرد.
- ◀ از تکان دادن شدید و افتادن ابزار اندازه گیری جلوگیری کنید. در صورت بروز تغییرات قابل مشاهده روی ابزار اندازه گیری بایستی قبل از ادامه ی کار همواره یک کنترل دقت انجام دهید (رجوع کنید به «کنترل دقت ابزار اندازه گیری»، صفحه 70).
- ◀ ابزار اندازه گیری را هنگام حمل و نقل خاموش کنید. با خاموش کردن ابزار اندازه گیری، واحد اندازه گیری تراز قفل می شود، در غیر اینصورت امکان آسیب دیدگی آن به هنگام حرکت های شدید وجود دارد.

(20) کیف محافظ^(a)

(a) کلیه متعلقاتی که در تصویر و یا در متن آمده است، بطور معمول همراه دستگاه ارائه نمی شود. لطفاً لیست کامل متعلقات را از فهرست برنامه متعلقات اکتباس نمایید.

مشخصات فنی

لیزر خطی	GLL 2-20 G
شماره فنی	3 601 K65 ...
محدوده کاری (شعاع) ^(A)	10 m
دقت تراز شونگی ^{(D)(C)(B)}	±0,4 mm/m
محدوده خود تراز شونگی	±4°
زمان تراز کردن	< 4 s
دمای کاری	-5°C ... +40°C
دمای نگهداری در انبار	-20°C ... +70°C
حداکثر ارتفاع کاربری روی ارتفاع مرجع	2000 m
حداکثر رطوبت نسبی هوا	90 %
درجه آلودگی مطابق استاندارد IEC 61010-1	2 ^{E)}
کلاس لیزر	2
نوع لیزر	< 10 mW, 500-540 nm
C ₆	10
انحراف	30 × 20 mrad (زاویه کامل)
محل اتصال سه پایه	1/4"
باتری ها	4 × 1,5 V LRG (AA)
مدت زمان عملکرد (هنگام عملکرد خطوط متقاطع) ^(B)	5 h
وزن مطابق استاندارد EPTA-Procedure 01:2014	0,62 kg
ابعاد (طول × عرض × ارتفاع)	111 × 72 × 119 mm
نوع حفاظت	IP 64
(A) محدوده کاری ممکن است با شرایط نامناسب محیط (تابش مستقیم خورشید) کاهش یابد.	
(B) در 20-25 °C	
(C) مقادیر داده شده در شرایط محیطی معمولی تا مطلوب در نظر گرفته می شوند (برای مثال بدون لرزش، بدون مه، بدون دود، بدون تابش مستقیم آفتاب). نوسانات شدید دمایی ممکن است منجر به کاهش میزان دقت گردد.	
(D) معتبر در نقطه متقاطع و در زاویه های مربوطه 90°/180°/270°	
(E) زیرنویس: تنها آلودگی بدون قابلیت هادی شدن دیده می شود که با پیشبینی وجود شبنم به طور موقت، قابلیت هادی شدن انتظار می رود.	
برای شناسایی ابزار اندازه گیری از شماره ی فنی (6) روی برجسب کالا استفاده نمایید.	

کار با تراز اتوماتیک (رجوع کنید به تصاویر A-C)
ابزار اندازه گیری را روی سطح محکم و افقی قرار دهید، آن را روی نگهدارنده (10) یا سه پایه (17) وصل کنید.

تراز اتوماتیک، ناهمواری ها را در محدوده خود تراز شوندگی به مقدار $\pm 4^\circ$ به صورت اتوماتیک تنظیم می کند. به محض اینکه پرتوهای لیزر بصورت ممتد روشن شوند، ابزار اندازه گیری تراز شده است. چنانچه تراز اتوماتیک امکان پذیر نباشد، برای مثال سطح قرارگیری ابزار اندازه گیری بیش از 4° با سطح افقی اختلاف داشته باشد، خطوط لیزر ابتدا 2 s بطور ممتد با ریتم سریع چشمک می زنند. سپس خطوط لیزر به مدت 5 s روشن می شوند، بعد از آن هر 5 s چندین بار با ریتم سریع چشمک می زنند. ابزار اندازه گیری در عملکرد شیب قرار می گیرد.

برای ادامه کار با تراز اتوماتیک، ابزار اندازه گیری را به طور افقی قرار دهید و تا خود تراز شوندگی صبر کنید. به محض اینکه ابزار اندازه گیری در محدوده خود تراز شوندگی به مقدار $\pm 4^\circ$ قرار گرفت، پرتوهای لیزر به صورت ممتد روشن می شوند.

در صورت تکان خوردن یا جابجایی هنگام کار، ابزار اندازه گیری به طور اتوماتیک دوباره تراز می شود. پس از تراز شدن، وضعیت پرتوهای لیزر را در رابطه با نقاط مبدأ کنترل کنید تا از بروز خطا منتج از حرکت و نقل و انتقال ابزار اندازه گیری جلوگیری بعمل آید.

کار با عملکرد شیب (رجوع کنید به تصویر K)

ابزار اندازه گیری را روی سطح شیب دار قرار دهید. در صورت کار با عملکرد شیب، خطوط لیزر ابتدا 2 s بطور ممتد با ریتم سریع چشمک می زنند. سپس خطوط لیزر به مدت 5 s روشن می شوند، بعد از آن هر 5 s چندین بار با ریتم سریع چشمک می زنند. در عملکرد شیب، خطوط لیزر دیگر تراز نمی شوند و لزوماً نسبت به یکدیگر به طور عمود قرار نمی گیرند.

کنترل دقت ابزار اندازه گیری

عوامل تاثیر گذارنده در دقت عمل

بیشترین تاثیر را دمای محیط کار دارد. بخصوص اختلاف دمای جاری به طرف بالا می توانند پرتو لیزر را منحرف کنند.

از آنجا که طبقه بندی دما در نزدیکی زمین بیشترین مقدار است، بایستی ابزار اندازه گیری را در صورت امکان روی یک سه پایه نصب کنید و آن را در وسط سطح کار قرار دهید.

در کنار تأثیرات بیرونی، تأثیرات مربوط به دستگاه (مانند افتادن، یا تکانهای شدید) می توانند باعث بروز خطا شوند. به همین منظور قبل از هر شروع کار، دقت تراز را کنترل کنید.

چنانچه میزان خطای ابزار اندازه گیری در طی یکی از آزمایش ها از حداکثر میزان خطا (اختلاف) فراتر رود، آنگاه باید ابزار اندازه گیری را توسط خدمات پس از فروش Bosch تعمیر کنید.

کنترل دقت ارتفاع خط افقی

برای کنترل نیاز به یک مسافت اندازه گیری 5 متری روی یک سطح صاف بین دو دیوار A و B دارید.

- ابزار اندازه گیری را نزدیک دیوار A روی یک سه پایه نصب کنید یا آن را روی یک سطح صاف و ثابت

نحوه روشن و خاموش کردن

جهت روشن کردن ابزار اندازه گیری، کلید روشن/خاموش (2) را در موقعیت ON برانید. ابزار اندازه گیری فوراً پس از روشن شدن، پرتوهای لیزری از منفذهای خروجی (1) ارسال می کند.

◀ جهت پرتو لیزر را به طرف اشخاص و یا حیوانات نگه دارید و خودتان هم مستقیماً به پرتو لیزر نگاه نکنید، حتی از فاصله دور.

جهت خاموش کردن ابزار اندازه گیری، کلید روشن/خاموش (2) را در موقعیت OFF برانید. هنگام خاموش کردن، واحد پاندولی قفل می شود.

◀ ابزار اندازه گیری روشن شده را بدون نظارت رها نکنید و آن را پس از کاربری خاموش نمایید. امکان آسیب دیدن چشم اشخاص دیگر وجود دارد.

قطع خودکار

چنانچه حدود 120 دقیقه هیچ دکمه ای روی ابزار اندازه گیری روشن نشود، ابزار اندازه گیری جهت محافظت از باتریها به طور خودکار خاموش می شود.

جهت روشن کردن ابزار اندازه گیری پس از خاموش شدن اتوماتیک می توانید کلید قطع و وصل (2) را ابتدا به حالت "OFF" برانید و بعد ابزار اندازه گیری را روشن کنید یا دکمه نوع عملکرد لیزر (4) را فشار دهید.

جهت غیر فعال کردن قطع اتوماتیک (در حین روشن بودن ابزار اندازه گیری)، دکمه نوع عملکرد لیزر (4) را حداقل 3 ثانیه فشرده نگه دارید. در صورت غیر فعال بودن قطع اتوماتیک، خطوط لیزر برای تأیید، کوتاه چشمک می زنند.

جهت فعال نمودن قطع اتوماتیک، ابزار اندازه گیری را خاموش و دوباره روشن کنید.

انواع عملکرد

ابزار اندازه گیری دارای چندین نوع عملکرد می باشد که می توان هر زمان از میان عملکردها یکی را انتخاب کرد و نوع آن را تغییر داد:

- عملکرد خطوط متقاطع (رجوع کنید به تصویر A): یک سطح لیزر افقی و یک خط لیزر عمودی به سمت جلو ساطع می شود،

- عملکرد افقی (رجوع کنید به تصویر B): یک سطح لیزر افقی ساطع می شود،

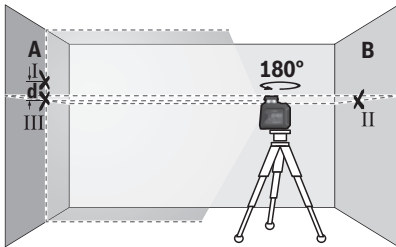
- عملکرد عمودی (رجوع کنید به تصویر C): یک خط لیزر عمودی به سمت جلو ساطع می شود.

برای تعویض نوع عملکرد، دکمه نوع عملکرد لیزر (4) را تا اندازه ای فشار دهید، تا پرتوهای لیزر در نوع عملکرد دلخواه تولید شود.

تمام عملکردها هم با تراز اتوماتیک و همچنین با عملکرد شیب امکان پذیر هستند.

تراز اتوماتیک

ابزار اندازه گیری، در حین عملکرد، محل اندازه گیری را در هر زمان کنترل می کند. با قرارگیری در محدوده خود تراز شوندگی $\pm 4^\circ$ ابزار اندازه گیری با تراز اتوماتیک کار می کند. خارج از محدوده خود تراز شوندگی، ابزار اندازه گیری بصورت اتوماتیک به عملکرد شیب تغییر می یابد.

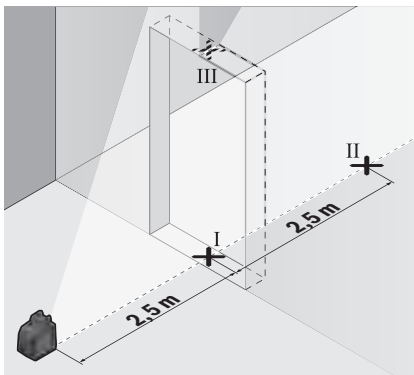


- ابزار اندازه‌گیری را به مقدار 180° بچرخانید تا ارتفاع را تغییر دهید. آن را طوری روی دیوار A تنظیم کنید تا خط لیزر عمودی از میان نقطه علامتگذاری شده قبلی I بگذرد. بگذارید ابزار اندازه‌گیری تراز شود و نقطه تقاطع خطوط لیزر را روی دیوار A (نقطه II) علامتگذاری کنید.
- اختلاف d هر دو نقطه علامتگذاری شده I و II روی دیوار A اختلاف ارتفاع واقعی ابزار اندازه‌گیری را بدست می‌دهد.

برای مسافت $2 \times 5 \text{ m} = 10 \text{ m}$ حداکثر خطای مجاز برابر است با:
 $10 \text{ m} \times \pm 0,4 \text{ mm/m} = \pm 4 \text{ mm}$
 ها I و II بایستی در نهایت 4 میلی‌متر باشد.

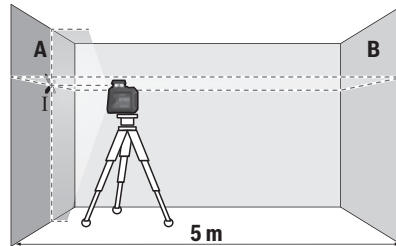
نحوه کنترل دقت تراز خط عمودی

- برای کنترل به نیاز به یک شکاف در دارید که در هر طرف آن (روی کف صاف) حداقل 2,5 متر جا باشد
- ابزار اندازه‌گیری را در 2,5 متری ورودی درب روی یک سطح صاف و ثابت (نه روی سه پایه) قرار دهید. ابزار اندازه‌گیری را روشن کنید و عملکرد عمودی را انتخاب کنید. خط لیزر را به طرف ورودی درب بگیرید و بگذارید ابزار اندازه‌گیری تراز شود.

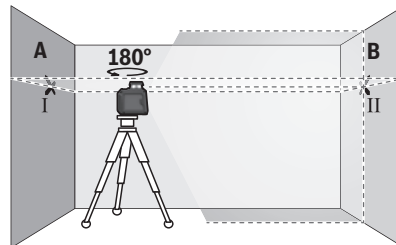


- خط لیزر عمودی روی زمین شکاف در (نقطه I)، در فاصله 5 متری در طرف دیگر شکاف در (نقطه II) و نیز دور بالایی شکاف در (نقطه III) علامتگذاری کنید.

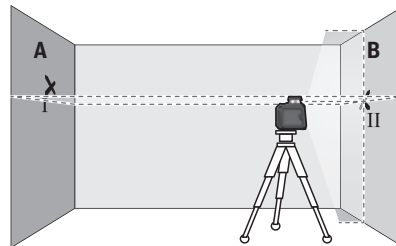
قرار دهید. ابزار اندازه‌گیری را روشن کنید و عملکرد متقاطع را انتخاب کنید.



- لیزر را نزدیک دیوار A جهت گیری کنید و بگذارید ابزار اندازه‌گیری تراز شود. مرکز نقطه ای را که تقاطع خطوط لیزر روی دیوار ایجاد می‌کنند علامت گذاری کنید (نقطه I).



- ابزار اندازه‌گیری را به مقدار 180° بچرخانید، بگذارید تراز شود و تقاطع نقاط لیزر را روی دیوار مقابل B (نقطه II) علامتگذاری کنید.
- ابزار اندازه‌گیری را - بدون چرخش - نزدیک دیوار B قرار دهید، آن را روشن کنید و بگذارید تراز شود.



- ابزار اندازه‌گیری را از نظر ارتفاع طوری تنظیم کنید (به کمک یک سه‌پایه یا با قرار دادن چیزی زیر آن)، تا نقطه تقاطع خطوط لیزر دقیقاً روی نقطه علامتگذاری شده II قبلی روی دیوار B بیفتد.

مغناطیسی دور نگه دارید. ممکن است به دلیل کشش شدید آهنرباها، انگشتان شما گیر کند. نگهدارنده (10) را قبل از روشن کردن ابزار اندازه گیری، بطور تقریبی تنظیم کنید.

نحوه کار با صفحه هدف لیزر (متعلقات)

صفحه لیزر هدف (16) دید پرتوی لیزر را در شرایط نامناسب و مسافتهای زیاد بهتر میکند. سطح بازتابنده صفحه هدف لیزر (16) دید خط لیزر را بهتر می کند، به وسیله سطح شفاف، می توان خط لیزر را از پشت صفحه هدف لیزر نیز تشخیص داد.

کار به سه پایه (متعلقات)

سه پایه، یک کف ثابت یا قابلیت تنظیم ارتفاع جهت اندازه گیری عرضه می کند. صفحه چرخان را با 1/4- گیرنده سه پایه (7) روی رزوه سه پایه (17) یا یک سه پایه معمولی عکاسی قرار دهید. ابزار اندازه گیری را با پیچ تنظیم سه پایه سفت کنید. پیش از روشن کردن ابزار اندازه گیری، نخست سه پایه را بطور تقریبی تنظیم کنید.

اتصال با نگهدارنده (متعلقات) (رجوع کنید به تصویر)

به کمک نگهدارنده عمومی (15) می توان به عنوان مثال ابزار اندازه گیری را روی سطوح عمودی یا مواد دارای قابلیت آهنربایی متصل کرد. علاوه بر این، نگهدارنده عمومی برای استفاده بعنوان سه پایه زمینی هم مناسب است و تنظیم ارتفاع ابزار اندازه گیری را تسهیل می کند. نگهدارنده (15) را قبل از روشن کردن به طور تقریبی تراز کنید.

عینک لیزر (متعلقات)

عینک مخصوص دید پرتو لیزر نور موجود در محیط را فیلتر می کند. از این طریق پرتو لیزر برای چشمها واضح تر می گردد.

◀ **از عینک دید لیزر (متعلقات) به عنوان عینک ایمنی استفاده نکنید.** عینک دید لیزر برای تشخیص بهتر پرتو لیزر در نظر گرفته شده است؛ ولی محافظتی در برابر پرتو لیزر نمی کند.

◀ **از عینک دید لیزر (متعلقات) به عنوان عینک آفتابی یا هنگام رانندگی استفاده نکنید.** عینک دید لیزر دارای حفاظت کامل در برابر اشعه ماوراء بنفش نیست و تشخیص رنگ را کاهش می دهد.

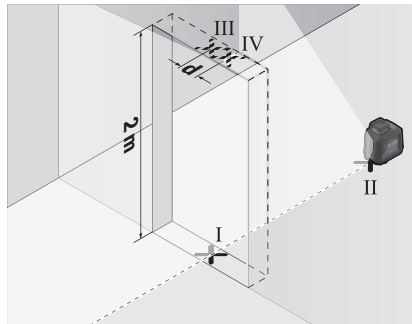
مثال های عملی (رجوع کنید به تصاویر K-H)

نمونه هایی در رابطه با امکانات کاربرد ابزار اندازه گیری در صفحه تصاویر قابل مشاهده اند.

مراقبت و سرویس

مراقبت، تعمیر و تمیز کردن دستگاه

ابزار اندازه گیری را همواره تمیز نگاه دارید. ابزار اندازه گیری را در آب و یا سایر مایعات غوطه ور نکنید. برای پاک کردن آلودگی از یک دستمال نرم و مرطوب استفاده کنید. از بکار بردن مواد شوینده و حلال خودداری کنید.



- ابزار اندازه گیری را به مقدار 180° بچرخانید و آن را روی طرف دیگر شکاف در درست پشت نقطه II قرار دهید. بگذارید ابزار اندازه گیری تراز شود و خط لیزر عمودی را طوری تنظیم کنید که وسط آن از میان نقاط I و II بگذرد.

- وسط خط لیزر واقع بر دور شکاف در را به عنوان نقطه IV علامتگذاری کنید.

- اختلاف d هر دو نقطه علامتگذاری شده III و IV اختلاف واقعی ابزار اندازه گیری را نسبت به خط لیزر عمودی را بدست می دهد.

- ارتفاع شکاف در را اندازه گیری کنید.

بیشترین اختلاف مجاز را اینگونه محاسبه کنید:

$$\text{دوبرابر ارتفاع ورودی درب} \times 0,4 \text{ mm/m}$$

مثال: برای ارتفاع ورودی درب به مقدار 2 متر،

$$\text{بایستی بیشترین اختلاف} = \pm 1,6 \text{ mm/m}$$

2 m × 2 m × 0,4 mm/m باشد. نقاط III و IV نباید در نهایت بیشتر از 1,6 میلی متر از یکدیگر قرار داشته باشند.

راهنمایهای عملی

◀ **همواره جهت علامتگذاری از وسط خط لیزر استفاده کنید.** عرض خط لیزر با افزایش فاصله تغییر می کند.

کار با نگهدارنده LB 10 (متعلقات) (رجوع کنید به تصاویر G-D)

به کمک نگهدارنده (10) می توانید ابزار اندازه گیری را به سطوح عمودی یا مواد دارای خاصیت مغناطیسی محکم کنید. ابزار اندازه گیری را می توان در ترکیب با گیره سقفی (14) در ارتفاع هم تنظیم نمود.

ابزار اندازه گیری را با محل اتصال سه پایه 1/4" (7) روی پیچ 1/4" (12) نگهدارنده قرار داده و آن را محکم ببینچانید.

روش های تثبیت نگهدارنده (10):

- با یک پیچ اتصال رایج در بازار از طریق سوراخ پیچ (13) به چوب (رجوع کنید به تصویر E)،

- با آهنرباهای (11) به مواد دارای قابلیت آهنربایی (رجوع کنید به تصویر F)،

- با گیره سقفی (14) به فرنیزهای سقفی (رجوع کنید به تصویر G).

◀ **زمانی که متعلقات را روی سطوح محکم می کنید، انگشتان خود را از پشت متعلقات**

خصوصاً سطوح دور روزه خروجی لیزر را بطور مرتب تمیز کنید و در این رابطه توجه داشته باشید که از دستمال بدون پرز استفاده کنید.
نگهداری و حمل و نقل ابزار اندازه گیری باید فقط بوسیله کیف محافظ (20) انجام بگیرد.
در صورت نیاز به تعمیر، ابزار اندازه گیری را در کیف محافظ (20) ارسال کنید.

خدمات و مشاوره با مشتریان

خدمات مشتری، به سؤالات شما درباره تعمیرات، سرویس و همچنین قطعات یدکی پاسخ خواهد داد. نقشه‌های سه بعدی و اطلاعات مربوط به قطعات یدکی را در تارنمای زیر میبایید:

www.bosch-pt.com

گروه مشاوره به مشتریان Bosch با کمال میل به سؤالات شما درباره محصولات و متعلقات پاسخ می دهند.

برای هرگونه سؤال و یا سفارش قطعات یدکی، حتماً شماره فنی 10 رقمی کالا را مطابق برچسب روی ابزار برقی اطلاع دهید.

ایران

روبرت بوش ایران - شرکت بوش تجارت پارس
میدان ونک، خیابان شهید خدایی، خیابان آفتاب
ساختمان مادیران، شماره 3، طبقه سوم.
تهران 1994834571
تلفن: 9821+ 42039000

آدرس سایر دفاتر خدماتی را در ادامه ببینید:

www.bosch-pt.com/serviceaddresses

از رده خارج کردن دستگاه

ابزار اندازه گیری، متعلقات و بسته بندی ها باید به طریق مناسب با حفظ محیط زیست از رده خارج و بازیافت شوند.

ابزارهای اندازه گیری و باتری ها را داخل زباله دان خانگی نیندازید!



فقط برای کشورهای عضو اتحادیه اروپا:

ابزارهای اندازه گیری کهنه و غیر قابل استفاده الکتریکی طبق آئین نامه و دستورالعمل اروپائی 2012/19/EU و باتریهای خراب یا فرسوده براساس آیین نامه ی اروپایی 2006/66/EC بایستی جداگانه و متناسب با محیط زیست جمع آوری شوند.