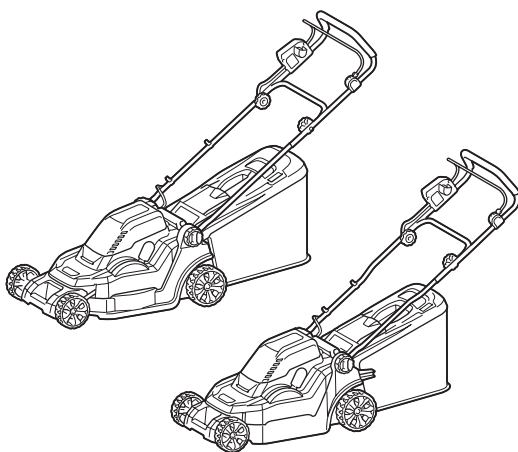


EN	Cordless Lawn Mower	INSTRUCTION MANUAL	7
SV	Batteridreven gräsklippare	BRUKSANVISNING	17
NO	Batteridrevet gressklipper	BRUKSANVISNING	27
FI	Akkukäyttöinen ruohonleikkuri	KÄYTTÖOHJE	37
DA	Akku-plæneklipper	BRUGSANVISNING	47
LV	Bezvada zāles pļaujmašīna	LIETOŠANAS INSTRUKCIJA	57
LT	Belaidė vejapjovė	NAUDOJIMO INSTRUKCIJA	67
ET	Akutoitega elektriline muruniiduk	KASUTUSJUHEND	77
RU	Аккумуляторная Газонокосилка	РУКОВОДСТВО ПО ЭКСПЛУАТАЦИИ	87

## DLM382 DLM432



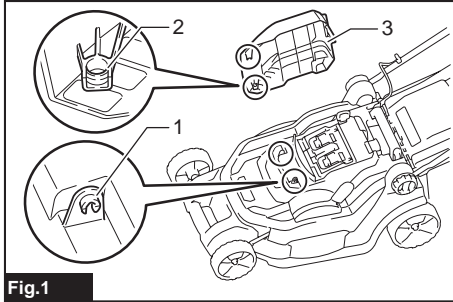


Fig.1

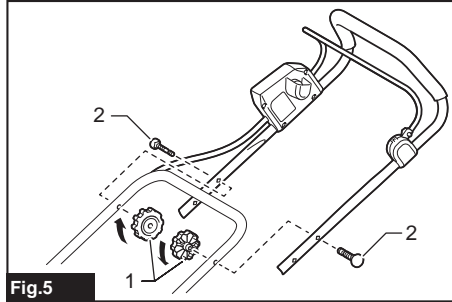


Fig.5

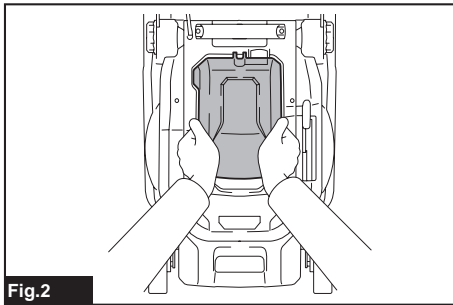


Fig.2

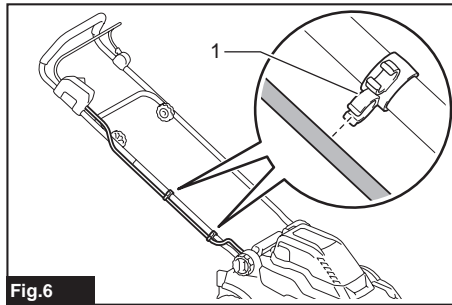


Fig.6

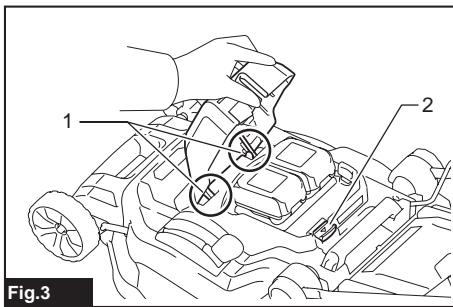


Fig.3

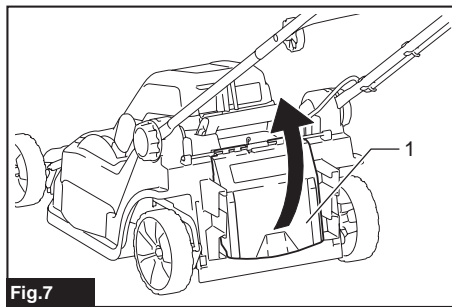


Fig.7

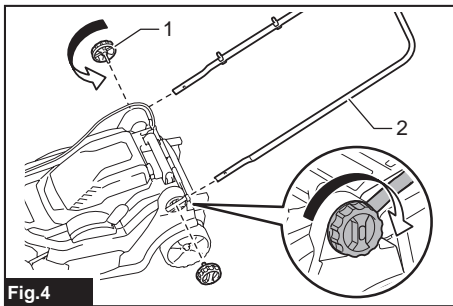


Fig.4

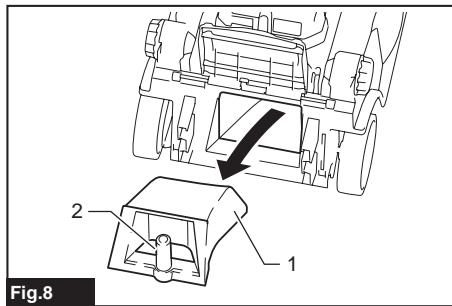


Fig.8

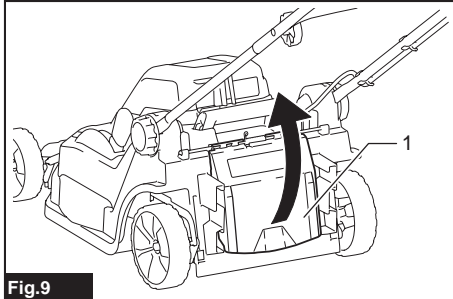


Fig.9

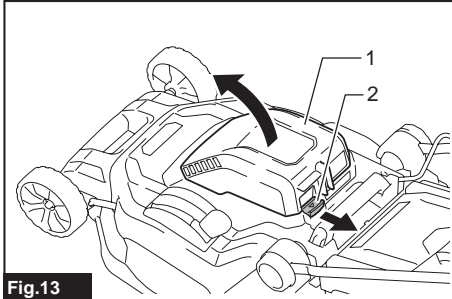


Fig.13

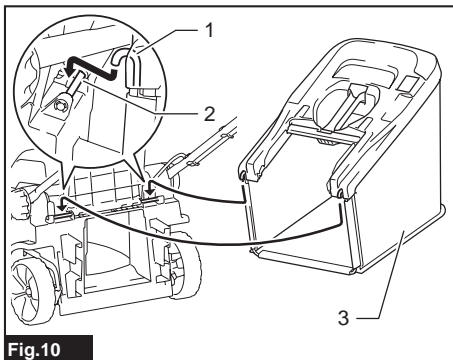


Fig.10

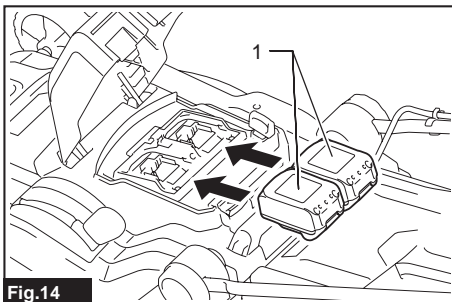


Fig.14

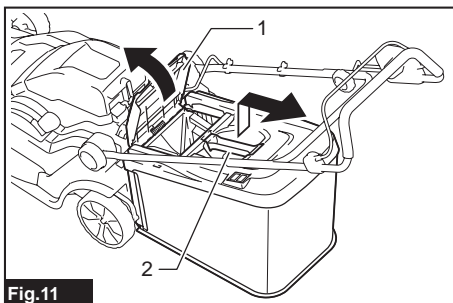


Fig.11

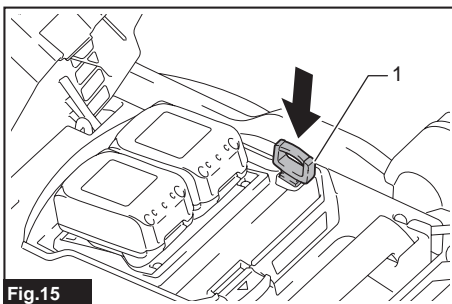


Fig.15

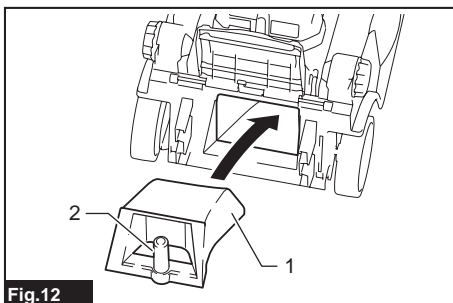


Fig.12

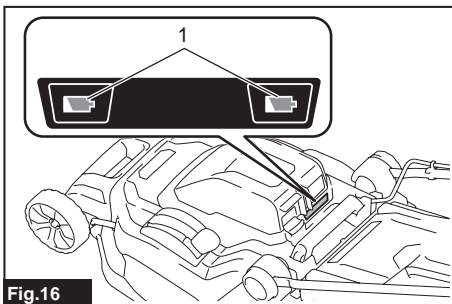


Fig.16

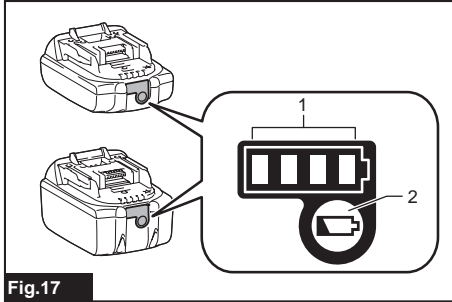


Fig.17

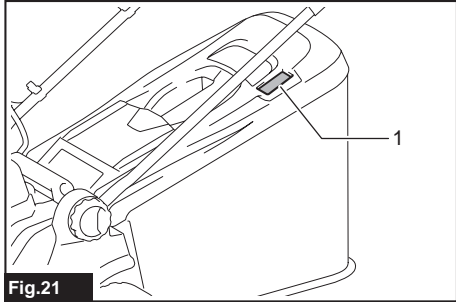


Fig.21

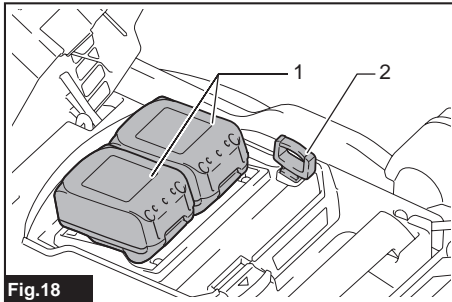


Fig.18

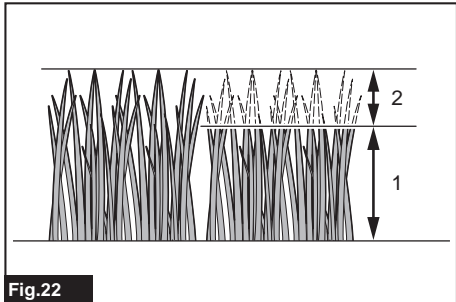


Fig.22

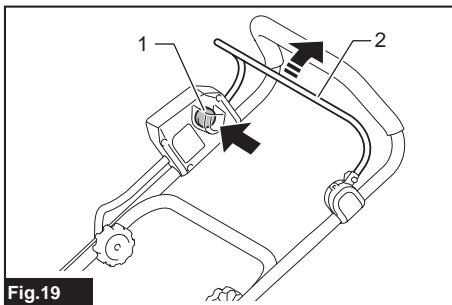


Fig.19



Fig.23

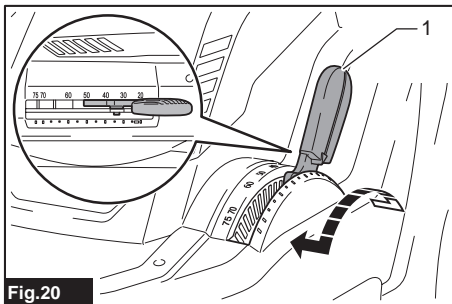


Fig.20

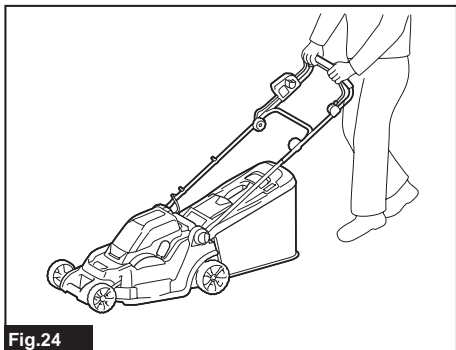


Fig.24

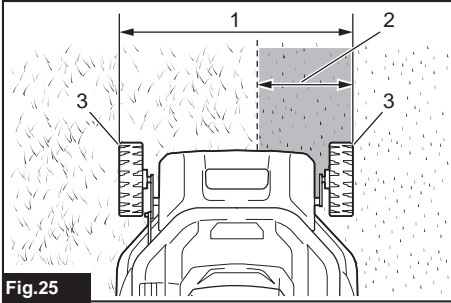


Fig.25

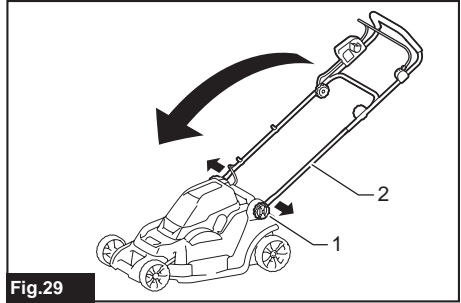


Fig.29

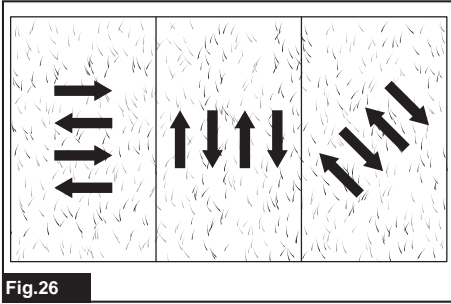


Fig.26

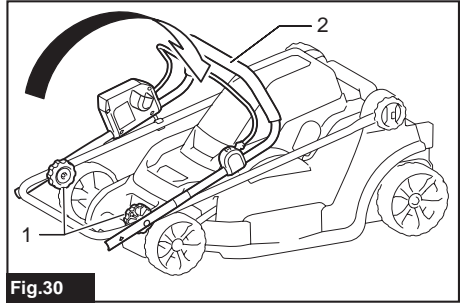


Fig.30

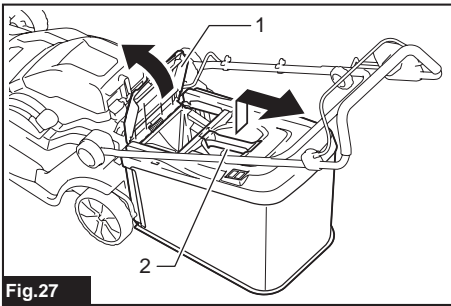


Fig.27

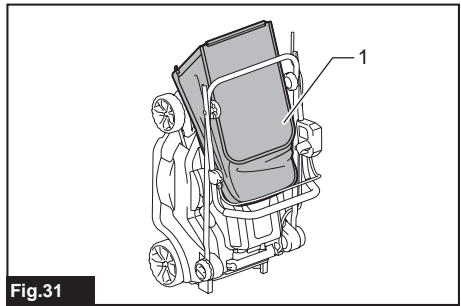


Fig.31

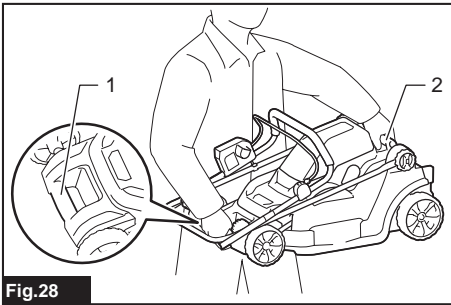


Fig.28

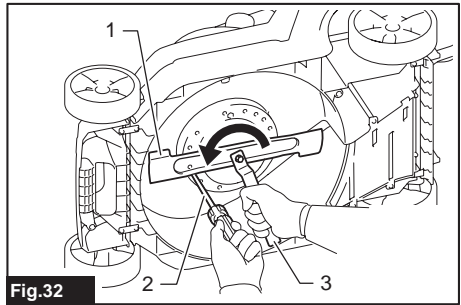
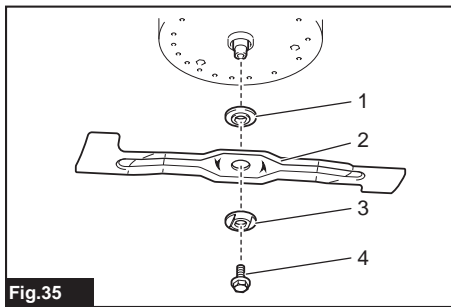
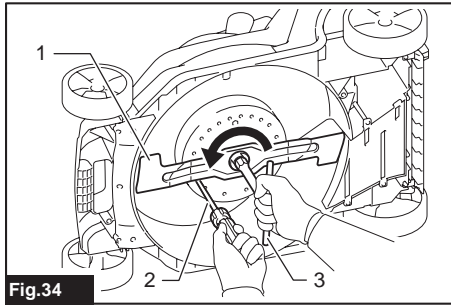
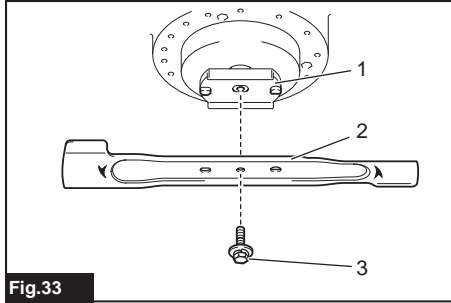


Fig.32



## SPECIFICATIONS

Model:		DLM382	DLM432
Mowing width (blade diameter)		380 mm	430 mm
No load speed		3,700 min <sup>-1</sup>	3,600 min <sup>-1</sup>
Part number of replacement mower blade		191D41-2	191D43-8
Dimensions (L x W x H)	during operation	L: 1,380 mm to 1,410 mm W: 450 mm H: 985 mm to 1,005 mm	L: 1,435 mm to 1,490 mm W: 460 mm H: 1,005 mm to 1,045 mm
	when stored (without grass basket)	860 mm x 450 mm x 475 mm	865 mm x 460 mm x 475 mm
Rated voltage		D.C. 36 V	
Net weight		15.0 - 16.5 kg	15.4 - 17.1 kg

- Due to our continuing program of research and development, the specifications herein are subject to change without notice.
- Specifications may differ from country to country.
- The weight may differ depending on the attachment(s), including the battery cartridge. The lightest and heaviest combination, according to EPTA-Procedure 01/2014, are shown in the table.

## Applicable battery cartridge and charger

Battery cartridge	BL1815N / BL1820 / BL1820B / BL1830 / BL1830B / BL1840 / BL1840B / BL1850 / BL1850B / BL1860B
Charger	DC18RC / DC18RD / DC18RE / DC18SD / DC18SE / DC18SF / DC18SH







- Some of the battery cartridges and chargers listed above may not be available depending on your region of residence.

**⚠ WARNING: Only use the battery cartridges and chargers listed above.** Use of any other battery cartridges and chargers may cause injury and/or fire.

**⚠ WARNING: Do not use a corded power supply such as battery adapter or portable power pack with this machine.** The cable of such power supply may hinder the operation and result in personal injury.

## Symbols

The followings show the symbols which may be used for the equipment. Be sure that you understand their meaning before use.

	Take particular care and attention.
	Read instruction manual.
	Danger; be aware of thrown objects.
	The distance between the tool and bystanders must be at least 15 m.
	Never put your hands and feet near the blade under the mower. Blades continue to rotate after the motor is switched off.
	Remove the lock key before inspecting, adjusting, cleaning, servicing, leaving and storing the mower.



Only for EU countries  
Do not dispose of electric equipment or battery pack together with household waste material!  
In observance of the European Directives, on Waste Electric and Electronic Equipment and Batteries and Accumulators and Waste Batteries and Accumulators and their implementation in accordance with national laws, electric equipment and batteries and battery pack(s) that have reached the end of their life must be collected separately and returned to an environmentally compatible recycling facility.

## Intended use

The machine is intended for lawn mowing.

## Noise

The typical A-weighted noise level determined according to EN60335-2-77:

### Model DLM382

Sound pressure level ( $L_{pA}$ ) : 81 dB(A)

Sound power level ( $L_{WA}$ ) : 91 dB (A)

Uncertainty (K) : 3 dB(A)

### Model DLM432

Sound pressure level ( $L_{pA}$ ) : 81 dB(A)

Sound power level ( $L_{WA}$ ) : 92 dB (A)

Uncertainty (K) : 3 dB(A)

**NOTE:** The declared noise emission value(s) has been measured in accordance with a standard test method and may be used for comparing one tool with another.

**NOTE:** The declared noise emission value(s) may also be used in a preliminary assessment of exposure.

**⚠ WARNING:** Wear ear protection.

**⚠ WARNING:** The noise emission during actual use of the power tool can differ from the declared value(s) depending on the ways in which the tool is used especially what kind of workpiece is processed.

**⚠ WARNING:** Be sure to identify safety measures to protect the operator that are based on an estimation of exposure in the actual conditions of use (taking account of all parts of the operating cycle such as the times when the tool is switched off and when it is running idle in addition to the trigger time).

## Vibration

The vibration total value (tri-axial vector sum) determined according to EN60335-2-77:

### Model DLM382

Vibration emission ( $a_{rh}$ ) : 2.5 m/s<sup>2</sup> or less

Uncertainty (K) : 2.0 m/s<sup>2</sup>

### Model DLM432

Vibration emission ( $a_{rh}$ ) : 2.5 m/s<sup>2</sup> or less

Uncertainty (K) : 1.5 m/s<sup>2</sup>

**NOTE:** The declared vibration total value(s) has been measured in accordance with a standard test method and may be used for comparing one tool with another.

**NOTE:** The declared vibration total value(s) may also be used in a preliminary assessment of exposure.

**⚠ WARNING:** The vibration emission during actual use of the power tool can differ from the declared value(s) depending on the ways in which the tool is used especially what kind of workpiece is processed.

**⚠ WARNING:** Be sure to identify safety measures to protect the operator that are based on an estimation of exposure in the actual conditions of use (taking account of all parts of the operating cycle such as the times when the tool is switched off and when it is running idle in addition to the trigger time).

## EC Declaration of Conformity

### For European countries only

The EC declaration of conformity is included as Annex A to this instruction manual.

## SAFETY WARNINGS

### IMPORTANT SAFETY INSTRUCTIONS

**⚠ WARNING:** Read all safety warnings and all instructions. Failure to follow the warnings and instructions may result in electric shock, fire and/or serious injury.

## Save all warnings and instructions for future reference.

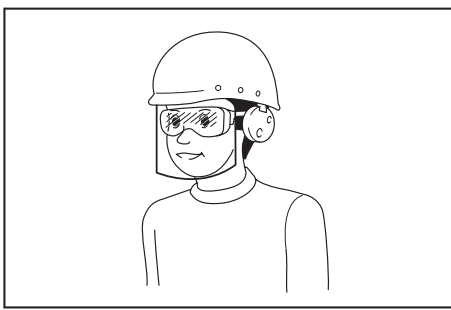
### Training

1. Read the instructions carefully. Be familiar with the controls and the proper use of the mower.
2. Never allow children or people unfamiliar with these instructions to use the mower. Local regulations can restrict the age of the operator.
3. Never operate the mower while people, especially children, or pets are nearby.
4. Keep in mind that the operator or user is responsible for accidents or hazards occurring to other people or their property.
5. Children should be supervised to ensure that they do not play with the mower.
6. Physical condition - Do not operate mower while under the influence of drugs, alcohol, or any medication.

### Preparation

1. While operating the mower, always wear substantial footwear and long trousers. Do not operate the mower when barefoot or wearing open sandals. Avoid wearing clothing or jewelry that is loose fitting or that has hanging cords or ties. They can be caught in moving parts.
2. Before use, always visually inspect the mower for damaged, missing or misplaced guards or shields.
3. Be sure the area is clear of other people before mowing. Stop mower if anyone enters the area.
4. Do not insert the lock key into mower until it is ready to be used.
5. Always wear protective goggles to protect your eyes from injury when using power tools. The goggles must comply with ANSI Z87.1 in the USA, EN 166 in Europe, or AS/NZS 1336 in Australia/New Zealand. In Australia/New Zealand, it is legally required to wear a face shield to protect your face, too.





It is an employer's responsibility to enforce the use of appropriate safety protective equipments by the tool operators and by other persons in the immediate working area.

6. Check the blades or blade bolts carefully for cracks or damage before operation. Replace cracked or damaged blades or blade bolts immediately.
7. Remove foreign matters such as rocks, wire, bottles, bones and large sticks from the work area before mowing to prevent personal injury or damage to the mower.
8. Objects struck by the mower blade can cause severe injuries to persons. The lawn should always be carefully examined and cleared of all objects prior to each mowing.
9. Watch for holes, ruts, bumps, rocks, or other hidden objects. Uneven terrain could cause a slip and fall accident. Tall grass can hide obstacles.

#### Operation

1. Do not overreach. Keep the balance at all times. Always be sure of the footing on slopes. Walk, never run.
  2. Stop the mower and remove the lock key, and make sure that all moving parts have come to a complete stop:
    - whenever you leave the mower,
    - before clearing blockages or unclogging chute,
    - before checking, cleaning or working on the mower,
    - after striking a foreign object. Inspect the mower for damage and make repairs before restarting and operating the mower,
    - whenever the mower starts vibrating abnormally.
  3. Never operate the mower with defective guards or shields, or without safety devices, for example deflectors and/or grass basket, in place.
  4. Avoid using the mower in bad weather conditions especially when there is a risk of lightning.
  5. Wear eye protection and stout shoes at all times while operating the mower.
  6. Operate the mower only in daylight or in good artificial light.
  7. Switch on the mower carefully according to instructions and with feet well away from the blade(s).
8. Take care against injury to feet and hands from the mower blades.
  9. Always ensure that the ventilation openings are kept clear of debris.
  10. Mow across the face of slopes, never up and down. Exercise extreme caution when changing direction on slopes. Do not mow excessively steep slopes.
  11. Use extreme caution when reversing or pulling the mower towards you.
  12. Stop the blade(s) if the mower has to be tilted for transportation when crossing surfaces other than grass, and when transporting the mower to and from the area to be used.
  13. Do not tilt the mower when switching on the motor, except if the mower has to be tilted for starting. In this case, do not tilt it more than absolutely necessary and lift only the part, which is away from the operator. Always ensure that both hands are in the operating position before returning the mower to the ground.
  14. Do not put hands or feet near or under rotating parts. Keep clear of the discharge opening at all times.
  15. Do not transport the mower while the mower is turned on.
  16. Avoid operating the mower in wet grass.
  17. Never operate the mower in the rain.
  18. Always keep a firm hold on the handle.
  19. Don't grasp the exposed cutting blades or cutting edges when picking up or holding the mower.
  20. Keep hands and feet away from rotating blades. Caution - Blades coast after the mower is switched off.
  21. Stop operation immediately if you notice anything unusual. Switch off the mower and remove the lock key. Then inspect the mower.
  22. Never attempt to make cutting height adjustments while mower is running if the mower has cutting height adjustment feature.
  23. Release switch lever and wait for blade rotation to stop before crossing driveways, walks, roads, and any gravel-covered areas. Also remove the lock key if you leave the mower, reach to pick up or remove something out of your way, or for any other reason that may distract you from what you are doing.
  24. If the mower strikes a foreign object, follow these steps:
    - Stop the mower, release the switch lever and wait until the blade comes to a complete stop.
    - Remove the lock key and the battery cartridge.
    - Thoroughly inspect the mower for any damage.
    - Replace the blade if it is damaged in any way. Repair any damage before restarting and continuing to operate the mower.
  25. Do not start the mower when standing in front of the discharge opening.
  26. If the mower starts to vibrate abnormally (check immediately)

- inspect for damage,
- replace or repair any damaged parts,
- check for and tighten any loose parts.

27. **Never direct discharged material toward anyone. Avoid discharging material against a wall or obstruction.** Material may ricochet back toward the operator. Stop the blade when crossing gravel surfaces.
28. **Do not pull the mower backwards unless absolutely necessary.** When you are compelled to back the mower from a fence or other similar obstruction, look down and behind before and while moving backwards.
29. **Shut the motor off and wait until the blade comes to a complete stop before removing the grass catcher.** Beware that the blades coast after turn off.

#### Maintenance and storage

1. **Replace worn or damaged parts for safety. Use only genuine replacement parts and accessories.**
2. **Inspect and maintain the mower regularly.**
3. **When not in use, store the mower out of the reach of children.**
4. **Keep all nuts, bolts, and screws tight to be sure the equipment is in safe working condition.**
5. **Check the grass basket frequently for wear or deterioration. For storage, always make sure the grass basket is empty. Replace a worn grass basket with a new factory replacement for safety.**
6. **Use only the manufacturer genuine blades specified in this manual.**
7. **Be careful during adjustment of the mower to prevent entrapment of the fingers between moving blades and fixed parts of the mower.**
8. **Do not wash with a hose; avoid getting water in motor and electrical connections.**
9. **Check the blade mounting bolt at frequent intervals for proper tightness.**
10. **Always allow the mower to cool down before storing.**
11. **When servicing the blades be aware that, even though the power source is switched off, the blades can still be moved.**
12. **Never remove or tamper with safety devices. Check their proper operation regularly. Never do anything to interfere with the intended function of a safety device or to reduce the protection provided by a safety device.**

#### Battery tool use and care

1. **Recharge only with the charger specified by the manufacturer.** A charger that is suitable for one type of battery pack may create a risk of fire when used with another battery pack.
2. **Use power tools only with specifically designated battery packs.** Use of any other battery packs may create a risk of injury and fire.
3. **When battery pack is not in use, keep it away from other metal objects, like paper clips, coins, keys, nails, screws or other small metal objects, that can make a connection from one terminal to another.** Shorting the battery terminals together may cause burns or a fire.

4. **Under abusive conditions, liquid may be ejected from the battery; avoid contact. If contact accidentally occurs, flush with water. If liquid contacts eyes, additionally seek medical help.** Liquid ejected from the battery may cause irritation or burns.
5. **Do not use a battery pack or tool that is damaged or modified.** Damaged or modified batteries may exhibit unpredictable behaviour resulting in fire, explosion or risk of injury.
6. **Do not expose a battery pack or tool to fire or excessive temperature.** Exposure to fire or temperature above 130 °C may cause explosion.
7. **Follow all charging instructions and do not charge the battery pack or tool outside the temperature range specified in the instructions.** Charging improperly or at temperatures outside the specified range may damage the battery and increase the risk of fire.

#### Electrical and battery safety

1. **Do not dispose of the battery(ies) in a fire.** The cell may explode. Check with local codes for possible special disposal instructions.
2. **Do not open or mutilate the battery(ies).** Released electrolyte is corrosive and may cause damage to the eyes or skin. It may be toxic if swallowed.
3. **Do not charge battery in rain, or in wet locations.**
4. **Do not charge the battery outdoors.**
5. **Do not handle charger, including charger plug, and charger terminals with wet hands.**

#### Service

1. **Have your power tool serviced by a qualified repair person using only identical replacement parts.** This will ensure that the safety of the power tool is maintained.
2. **Never service damaged battery packs.** Service of battery packs should only be performed by the manufacturer or authorized service providers.

## SAVE THESE INSTRUCTIONS.

**⚠ WARNING: DO NOT** let comfort or familiarity with product (gained from repeated use) replace strict adherence to safety rules for the subject product.

**MISUSE** or failure to follow the safety rules stated in this instruction manual may cause serious personal injury.

### Important safety instructions for battery cartridge

1. **Before using battery cartridge, read all instructions and cautionary markings on (1) battery charger, (2) battery, and (3) product using battery.**
2. **Do not disassemble or tamper the battery cartridge.** It may result in a fire, excessive heat, or explosion.
3. **If operating time has become excessively shorter, stop operating immediately. It may result in a risk of overheating, possible burns and even an explosion.**

4. If electrolyte gets into your eyes, rinse them out with clear water and seek medical attention right away. It may result in loss of your eyesight.
5. Do not short the battery cartridge:
  - (1) Do not touch the terminals with any conductive material.
  - (2) Avoid storing battery cartridge in a container with other metal objects such as nails, coins, etc.
  - (3) Do not expose battery cartridge to water or rain.

A battery short can cause a large current flow, overheating, possible burns and even a breakdown.
6. Do not store and use the tool and battery cartridge in locations where the temperature may reach or exceed 50 °C (122 °F).
7. Do not incinerate the battery cartridge even if it is severely damaged or is completely worn out. The battery cartridge can explode in a fire.
8. Do not nail, cut, crush, throw, drop the battery cartridge, or hit against a hard object to the battery cartridge. Such conduct may result in a fire, excessive heat, or explosion.
9. Do not use a damaged battery.
10. The contained lithium-ion batteries are subject to the Dangerous Goods Legislation requirements. For commercial transports e.g. by third parties, forwarding agents, special requirement on packaging and labeling must be observed. For preparation of the item being shipped, consulting an expert for hazardous material is required. Please also observe possibly more detailed national regulations. Tape or mask off open contacts and pack up the battery in such a manner that it cannot move around in the packaging.
11. When disposing the battery cartridge, remove it from the tool and dispose of it in a safe place. Follow your local regulations relating to disposal of battery.
12. Use the batteries only with the products specified by Makita. Installing the batteries to non-compliant products may result in a fire, excessive heat, explosion, or leak of electrolyte.
13. If the tool is not used for a long period of time, the battery must be removed from the tool.
14. During and after use, the battery cartridge may take on heat which can cause burns or low temperature burns. Pay attention to the handling of hot battery cartridges.
15. Do not touch the terminal of the tool immediately after use as it may get hot enough to cause burns.
16. Do not allow chips, dust, or soil stuck into the terminals, holes, and grooves of the battery cartridge. It may result in poor performance or breakdown of the tool or battery cartridge.
17. Unless the tool supports the use near high-voltage electrical power lines, do not use the battery cartridge near a high-voltage electrical power lines. It may result in a malfunction or breakdown of the tool or battery cartridge.

18. Keep the battery away from children.

## SAVE THESE INSTRUCTIONS.

**⚠ CAUTION:** Only use genuine Makita batteries. Use of non-genuine Makita batteries, or batteries that have been altered, may result in the battery bursting causing fires, personal injury and damage. It will also void the Makita warranty for the Makita tool and charger.

## Tips for maintaining maximum battery life

1. Charge the battery cartridge before completely discharged. Always stop tool operation and charge the battery cartridge when you notice less tool power.
2. Never recharge a fully charged battery cartridge. Overcharging shortens the battery service life.
3. Charge the battery cartridge with room temperature at 10 °C - 40 °C (50 °F - 104 °F). Let a hot battery cartridge cool down before charging it.
4. When not using the battery cartridge, remove it from the tool or the charger.
5. Charge the battery cartridge if you do not use it for a long period (more than six months).

## ASSEMBLY

**⚠ WARNING:** Always be sure that the lock key and battery cartridge are removed before carrying out any work on the mower. Failure to remove the lock key and the battery cartridge may result in serious personal injury from accidental start-up.

**⚠ WARNING:** Never start the mower unless it is completely assembled. Operation of the machine in a partially assembled state may result in serious personal injury from accidental start-up.

## Installing the battery cover

**⚠ WARNING:** Do not insert the lock key and battery cartridge before installing the battery cover. Failure to do so may cause a serious injury.

Install the battery cover completely before the operation. The battery cover protects the mower and battery cartridge from mud, dirt, and water.

1. Place the battery cover with the protrusions on the mower aligned with the holes on the battery cover.
 

► **Fig.1:** 1. Protrusion 2. Hole 3. Battery cover
2. Place your hands in the middle of the battery cover and push it.
 

► **Fig.2**
3. Before the first operation, check that the pivot point of the battery cover is attached properly. If the battery cover is installed correctly, it will not open until the battery cover locking lever is pulled.
 

► **Fig.3:** 1. Pivot point 2. Battery cover locking lever

## Installing the handle

**NOTICE:** When installing handles, position the cords so that they are not caught by anything between the handles. If the cord is damaged, the mower switch may not work.

- Slide the both ends of lower handle into the grooves of the mower then fully tighten the clamping screws.  
► **Fig.4:** 1. Clamping screw 2. Lower handle
- Align the screw holes of upper handle and lower handle. Secure them with the clamping screws and nuts.  
► **Fig.5:** 1. Clamping nut 2. Clamping screw

**NOTE:** Hold the upper handle firmly so that it does not drop off your hand.

- Attach the holders to the handle. Position the power supply cord as shown in the figure.  
► **Fig.6:** 1. Holder

## Removing the mulching plug

### Optional accessory

- Open the rear cover.  
► **Fig.7:** 1. Rear cover
- Hold the mulching plug by the handle, and then pull it out from the mower body as shown in the figure.  
► **Fig.8:** 1. Mulching plug 2. Handle

## Installing the grass basket

- Open the rear cover.  
► **Fig.9:** 1. Rear cover
- Hook the grass basket on the rod of the mower body as shown in the figure.  
► **Fig.10:** 1. Hook 2. Rod 3. Grass basket

## Attaching the mulching plug

### Optional accessory

- Open the rear cover, and then remove the grass basket.  
► **Fig.11:** 1. Rear cover 2. Grass basket
- Hold the mulching plug by the handle, and then attach it to the mower body as shown in the figure.  
► **Fig.12:** 1. Mulching plug 2. Handle

## FUNCTIONAL DESCRIPTION

### Installing or removing battery cartridge

**CAUTION:** Always switch off the machine before installing or removing of the battery cartridge.

**CAUTION:** Make sure that you lock the battery cover before use. Otherwise, mud, dirt, or water may cause damage to the product or the battery cartridge.

**CAUTION:** Always install the battery cartridge fully until the red indicator cannot be seen. If not, it may accidentally fall out of the machine, causing injury to you or someone around you.

**CAUTION:** Do not install the battery cartridge forcibly. If the cartridge does not slide in easily, it is not being inserted correctly.

**NOTE:** The machine does not work with only one battery cartridge.

### To install the battery cartridge;

- Slide the battery cover locking lever and open the battery cover.  
► **Fig.13:** 1. Battery cover 2. Battery cover locking lever
- Align the tongue on the battery cartridge with the slot on the mower then slide the cartridge until it locks in place with a little click.  
► **Fig.14:** 1. Battery cartridge
- Insert the lock key in the place shown in the figure as far as it will go.  
► **Fig.15:** 1. Lock key
- Close the battery cover and push it until it is latched with the locking lever.

### To remove the battery cartridge from the mower;

- Slide the battery cover locking lever and open the battery cover.
- Pull out the battery cartridge from the mower while sliding the button on the front of the cartridge.
- Pull out the lock key.
- Close the battery cover.

## Machine / battery protection system

The machine is equipped with a machine/battery protection system. This system automatically cuts off power to the motor to extend tool and battery life. The machine will automatically stop during operation if the machine or battery is placed under one of the following conditions.

### Overload protection

When the machine is operated in a manner that causes it to draw an abnormally high current, the machine automatically stops without any indication. In this situation, turn the machine off and stop the application that caused the machine to become overloaded. Then turn the machine on to restart.

## Overheat protection

When the machine is overheated, the machine stops automatically. Let the machine cool down before turning the machine on again.

## Overdischarge protection

When the battery capacity becomes low, the machine stops automatically. If the product does not operate even when the switches are operated, remove the batteries from the machine and charge the batteries.

## Indicating the remaining battery capacity

► Fig.16: 1. Battery indicator











When the remaining battery capacity gets low, the battery indicator blinks on the applicable battery side. By further use, the machine stops and the battery indicator lights up about 10 seconds. In this situation, charge the battery cartridge.

## Indicating the remaining battery capacity

**Only for battery cartridges with the indicator**

► Fig.17: 1. Indicator lamps 2. Check button

Press the check button on the battery cartridge to indicate the remaining battery capacity. The indicator lamps light up for a few seconds.

Indicator lamps			Remaining capacity
Lighted	Off	Blinking	
			
			75% to 100%
			50% to 75%
			25% to 50%
			0% to 25%
			Charge the battery.
			The battery may have malfunctioned.
			

**NOTE:** Depending on the conditions of use and the ambient temperature, the indication may differ slightly from the actual capacity.

## Switch action

**WARNING:** Before installing the battery cartridge, always check to see that the switch lever actuates properly and returns to the original position when released. Operating a machine with a switch that does not actuate properly can lead to loss of control and serious personal injury.

**NOTE:** The mower does not start without pressing the switch button even the switch lever is pulled.

**NOTE:** Mower may not start due to the overload when you try to mow long or dense grass at a time. Increase the mowing height in this case.

This mower is equipped with the interlock switch and handle switch. If you notice anything unusual with either of these switches, stop operation immediately and have them checked by your nearest Makita Authorized Service Center.

1. Install the battery cartridges. Insert the lock key into the interlock switch and then close the battery cover.

► Fig.18: 1. Battery cartridge 2. Lock key

2. Press the switch button and hold it.

3. Grab the upper handle and pull the switch lever.

► Fig.19: 1. Switch button 2. Switch lever

4. Release the switch button as soon as the motor starts running. The mower will continue to run until you release the switch lever.

5. Release the switch lever to stop the motor.

## Adjusting the mowing height

**WARNING:** Never put your hand or leg under the mower body when adjusting the mowing height.

**WARNING:** Always make sure that the lever fits in the groove properly before operation.

The mowing height can be adjusted in the range of between 20 mm and 75 mm.

1. Remove the lock key.

2. Pull the mowing height adjusting lever to the outward of the mower body and move it to your desired mowing height.

► Fig.20: 1. Mowing height adjusting lever

**NOTE:** The mowing height figures should be used just as a guideline. Depending on the conditions of the lawn or the ground, the actual lawn height may become slightly different from the set height.

**NOTE:** Try a test mowing of grass in a less conspicuous place to get your desired height.

## Grass level indicator

► Fig.21: 1. Grass level indicator

Grass level indicator shows the volume of mowed grass.

- When the grass basket is not full, the indicator floats during mowing.
- When the grass basket is full, the indicator does not float during mowing. In this case, stop mowing immediately and empty the basket. After emptying the basket, clean it so that its meshwork vents the air.

**NOTE:** This indicator is a rough guide. Depending on the conditions of inside of the basket, this indicator may not work properly.

## Using mulching plug

### Optional accessory

The mulching plug allows you to return the cut grass to the ground without gathering the cut grass in the grass basket. When you operate the machine with the mulching plug, be sure to remove the grass basket.

**NOTICE:** When using the machine with the mulching plug, make sure that the total length of grass after cutting is 30 mm or more, and the cut length is 15 mm or less.

► Fig.22: (1) 30 mm or more (2) 15 mm or less

## OPERATION

### Mowing

**⚠ WARNING:** Before mowing, clear away sticks and stones from mowing area. Furthermore, clear away any weeds from mowing area in advance.

**⚠ WARNING:** Always wear the safety goggles or safety glasses with side shields when operating the mower.

**⚠ CAUTION:** If the cut grass or foreign object blocks up inside of the mower body, be sure to remove the lock key and battery cartridge and wear gloves before removing the grass or foreign object.

**NOTICE:** Use this machine for mowing lawn only. Do not mow weeds with this machine.

► Fig.23

Firmly hold the handle with both hands when mowing.

The mowing speed guideline is approximately 1 meter per 4 seconds.

► Fig.24

The outside edges of the front wheels are guidelines to mowing width. Using the outside edges of the front wheels as guidelines, mow in strips. Overlap by one half to one third the previous strip to mow the lawn evenly.

► Fig.25: 1. Mowing width 2. Overlapping area 3. Outside edge

Change the mowing direction each time to prevent the grass grain pattern from forming in just one direction.

► Fig.26

Periodically check the grass basket for mowed grass. Empty the grass before it becomes full. Before every periodical check, be sure to stop the mower then remove the lock key and the battery cartridge.

**NOTICE:** Using the mower with the grass basket full prevents smooth blade rotation and places an extra load on the motor, which may cause breakdown.

## Mowing a long-grass lawn

Do not try to cut long grass all in one go. Instead, mow the lawn in some steps. Leave a day or two between mows until the lawn becomes evenly short.

**NOTE:** Mowing long grass to a short length all in one go may cause the grass to die. The cut grass may also block up inside of the mower body.

## Emptying the grass basket

**⚠ WARNING:** To reduce a risk of accident, regularly check the grass basket for any damage or weakened strength. Replace the grass basket if necessary.

1. Release the switch lever.
2. Remove the lock key.
3. Open the rear cover and take out the grass basket by holding the handle.  
► Fig.27: 1. Rear cover 2. Handle
4. Empty the grass basket.

## MAINTENANCE

**⚠ WARNING:** Always be sure that the lock key and battery cartridge are removed from the mower before storing or carrying the mower or attempting to perform inspection or maintenance.

**⚠ WARNING:** Always remove the lock key when the mower is not in use. Store the lock key in a safe place out of reach of children.

**⚠ WARNING:** Wear gloves when performing inspection or maintenance.

**⚠ WARNING:** Always wear the safety goggles or safety glasses with side shields when performing inspection or maintenance.

**NOTICE:** Never use gasoline, benzene, thinner, alcohol or the like. Discoloration, deformation or cracks may result.

To maintain product SAFETY and RELIABILITY, repairs, any other maintenance or adjustment should be performed by Makita Authorized or Factory Service Centers, always using Makita replacement parts.

## Maintenance

1. Remove the lock key. Store it in a safe place out of the reach of children.
2. Clean the mower using only a wet cloth. Do not spray or pour water on the mower when cleaning.
3. Put the mower on its side and clean grass clippings accumulated on the underside of mower deck.
4. Check all nuts, bolts, knobs, screws, fasteners etc. for tightness.
5. Inspect moving parts for damage, breakage, and wear. Damaged or missing parts should be repaired or replaced.

## Storage

**⚠ WARNING:** When carrying or storing the mower, do not hold the folded handles but the front grip of the mower. Holding the folded handles may cause a serious injury or damage to the mower.

Before storing the mower, remove the battery cartridge and lock key.

Store mower indoors in a cool, dry and locked place. Don't store the mower and charger in locations where the temperature may reach or exceed 40 °C.

► **Fig.28:** 1. Front grip 2. Rear grip

1. Loosen the clamping screws and expand the lower handle to both sides. Move down the handle forward. At this time, keep a firm grip on the lower handle so that the handle does not fall down to the far side from the mower body.

► **Fig.29:** 1. Clamping screw 2. Lower handle

2. Loosen the clamping nuts and pivot the upper handle back while expanding the both sides.

► **Fig.30:** 1. Clamping nut 2. Upper handle

3. Store the grass basket between the handle and the mower body.

► **Fig.31:** 1. Grass basket

**NOTE:** When putting the mower in the upright position, do not hold the handle but use the front grip of the mower.

## Removing or installing the mower blade

**⚠ WARNING:** Always remove the lock key and battery cartridge when removing or installing the blade. Failure to remove the lock key and battery cartridge may cause a serious injury.

**⚠ WARNING:** The blade coasts for a few seconds after releasing the switch. Do not start any operation until the blade comes to a complete stop.

**⚠ WARNING:** Always wear gloves when handling the blade.

## Removing the mower blade

### For DLM382

1. Put the mower on its side so that the mowing height adjusting lever comes to the upper side.

2. To lock the blade rotation, insert a screwdriver or a similar tool into a hole on the mower body.

3. Turn the bolt counterclockwise with the wrench.

► **Fig.32:** 1. Mower blade 2. Screwdriver 3. Wrench

4. Remove the bolt and blade in order.

► **Fig.33:** 1. Blade support 2. Mower blade 3. Bolt

## For DLM432

1. Put the mower on its side so that the mowing height adjusting lever comes to the upper side.

2. To lock the blade rotation, insert a screwdriver or a similar tool into a hole on the mower body.

3. Turn the bolt counterclockwise with the wrench.

► **Fig.34:** 1. Mower blade 2. Screwdriver 3. Wrench

4. Remove the bolt, outer flange, mower blade, and inner flange in order.

► **Fig.35:** 1. Inner flange 2. Mower blade 3. Outer flange 4. Bolt

## Installing the mower blade

To install the mower blade, take the removal procedure in reverse.

**⚠ WARNING:** Install the mower blade carefully. It has a top/bottom facing. Place the blade so that the rotational direction arrow faces outward.

**⚠ WARNING:** Tighten the bolt clockwise firmly to secure the blade.

**⚠ WARNING:** Make sure that the mower blade and all the fixing parts are installed correctly and tightened securely.

**⚠ WARNING:** When you replace the blades, always follow the instructions provided in this manual.

# TROUBLESHOOTING

Before asking for repairs, conduct your own inspection first. If you find a problem that is not explained in the manual, do not attempt to dismantle the tool. Instead, ask Makita Authorized Service Centers, always using Makita replacement parts for repairs.

State of abnormality	Probable cause (malfunction)	Remedy
Mower does not start.	Two battery cartridges are not installed.	Install the charged battery cartridges.
	Battery problem (under voltage)	Recharge the battery cartridge. If recharging is not effective, replace battery cartridge.
	The lock key is not inserted.	Insert the lock key.
Motor stops running after a little use.	Battery's charge level is low.	Recharge the battery cartridge. If recharging is not effective, replace battery cartridge.
	Cutting height is too low.	Increase the cutting height.
Motor does not reach maximum RPM.	Battery cartridge is installed improperly.	Install the battery cartridge as described in this manual.
	Battery power is dropping.	Recharge the battery cartridge. If recharging is not effective, replace battery cartridge.
	The drive system does not work correctly.	Ask your local authorized service center for repair.
Mower blade does not rotate: ⇒ stop the mower immediately!	Foreign object such as a branch is jammed near the blade.	Remove the foreign object.
	The drive system does not work correctly.	Ask your local authorized service center for repair.
Abnormal vibration: ⇒ stop the mower immediately!	Blade is imbalanced, excessively or unevenly worn.	Replace the blade.

## OPTIONAL ACCESSORIES

**⚠ CAUTION:** These accessories or attachments are recommended for use with your Makita tool specified in this manual. The use of any other accessories or attachments might present a risk of injury to persons. Only use accessory or attachment for its stated purpose.

If you need any assistance for more details regarding these accessories, ask your local Makita Service Center.

- Mower blade
- Mulching plug
- Makita genuine battery and charger

**NOTE:** Some items in the list may be included in the tool package as standard accessories. They may differ from country to country.



## SPECIFIKATIONER

Modell:	DLM382	DLM432	
Klippbredd (knivdiameter)	380 mm	430 mm	
Hastighet utan belastning	3 700 min <sup>-1</sup>	3 600 min <sup>-1</sup>	
Artikelnummer för byte av gräsklipparkniv	191D41-2	191D43-8	
Dimensioner (L x B x H)	vid användning	L: 1 380 mm till 1 410 mm B: 450 mm H: 985 mm till 1 005 mm	L: 1 435 mm till 1 490 mm B: 460 mm H: 1 005 mm till 1 045 mm
	vid förvaring (utan gräsutslamlare)	860 mm x 450 mm x 475 mm	865 mm x 460 mm x 475 mm
Märkspänning	36 V likström		
Nettovikt	15,0 - 16,5 kg	15,4 - 17,1 kg	

- På grund av vårt pågående program för forskning och utveckling kan dessa specifikationer ändras utan föregående meddelande.
- Specifikationer kan variera mellan olika länder.
- Vikten kan variera beroende på tillbehören, inklusive batterikassett. Den lättaste och den tyngsta kombinationen enligt EPTA-procedur 01/2014 visas i tabellen.

## Tillgänglig batterikassett och laddare

Batterikassett	BL1815N / BL1820 / BL1820B / BL1830 / BL1830B / BL1840 / BL1840B / BL1850 / BL1850B / BL1860B
Laddare	DC18RC / DC18RD / DC18RE / DC18SD / DC18SE / DC18SF / DC18SH







- Vissa av batterikassetterna och laddarna på listan ovan kanske inte finns tillgängliga i din region.

**⚠ VARNING: Använd endast batterikassetter och laddare från listan ovan.** Användning av andra batterikassetter och laddare kan orsaka personskada och/eller brand.

**⚠ VARNING: Använd inte en strömförsörjning med sladd, som en batteriadapter eller bärbart strömpaket, med denna maskin.** Kabeln till sådan anordning kan hindra användningen och leda till personskada.

## Symboler

Följande visar symbolerna som kan användas för utrustningen. Se till att du förstär innebörden innan användning.

	Var extra försiktig och uppmärksam.
	Läs igenom bruksanvisningen.
	Fara! Se upp för flygande föremål.
	Avståndet mellan maskinen och åskådare måste vara minst 15 m.
	Placera aldrig dina händer eller fötter nära kniven under gräsklipparen. Knivarna fortsätter att rotera efter det att motorn stängts av.
	Ta ut säkerhetsnyckeln före kontroll, justering, rengöring, service, förvaring eller om gräsklipparen lämnas obevakad.



Gäller endast inom EU  
Elektrisk utrustning eller batteripaket får inte kastas i hushållsavfallet!  
Enligt EU-direktiven som avser förbrukad elektrisk och elektronisk utrustning, batterier, ackumulatorer, förbrukade batterier och ackumulatorer, samt direktivens tillämpning enligt nationell lagstiftning, ska uttjänt elektrisk utrustning, batterier och batteripaket sorteras separat och lämnas till miljövänlig återvinning.

## Avsedd användning

Maskinen är avsedd för gräsklippning.

## Buller

Den normala bullernivån för A-belastning är bestämd enligt EN60335-2-77:

### Model DLM382

Ljudtrycksnivå ( $L_{pA}$ ): 81 dB (A)

Ljudeffektnivå ( $L_{WA}$ ): 91 dB (A)

Måttolerans (K): 3 dB (A)

### Model DLM432

Ljudtrycksnivå ( $L_{pA}$ ): 81 dB (A)

Ljudeffektnivå ( $L_{WA}$ ): 92 dB (A)

Måttolerans (K): 3 dB (A)

**OBS:** Det deklarerade bullervärdet har uppmätts i enlighet med standardtestmetoden och kan användas för jämförandet av en maskin med en annan.

**OBS:** Det deklarerade bulleremissionsvärdet kan också användas i en preliminär bedömning av exponering för vibration.

**⚠ VARNING:** Använd hörselskydd.

**⚠ VARNING:** Bulleremissionen under faktisk användning av maskinen kan skilja sig från det deklarerade värdet, beroende på hur maskinen används och särskilt vilken typ av arbetsstycke som behandlas.

**⚠ VARNING:** Var noga med att identifiera säkerhetsåtgärder för att skydda användaren, vilka är grundade på en uppskattning av graden av exponering för vibrationer under de faktiska användningsförhållandena, (ta, förutom avtryckartiden, med alla delar av användarcykeln i beräkningen, som till exempel tiden då maskinen är avstängd och när den går på tomgång).

## Vibration

Det totala vibrationsvärdet (treaxlad vektorsumma) bestämt enligt EN60335-2-77:

### Model DLM382

Vibrationsemission ( $a_{hv}$ ): 2,5 m/s<sup>2</sup> eller lägre

Måttolerans (K): 2,0 m/s<sup>2</sup>

### Model DLM432

Vibrationsemission ( $a_{hv}$ ): 2,5 m/s<sup>2</sup> eller lägre

Måttolerans (K): 1,5 m/s<sup>2</sup>

**OBS:** Det deklarerade totala vibrationsvärdet har uppmätts i enlighet med standardtestmetoden och kan användas för jämförandet av en maskin med en annan.

**OBS:** Det deklarerade totala vibrationsvärdet kan också användas i en preliminär bedömning av exponering för vibration.

**⚠ VARNING:** Vibrationsemissionen under faktisk användning av maskinen kan skilja sig från det deklarerade värdet, beroende på hur maskinen används och särskilt vilken typ av arbetsstycke som behandlas.

**⚠ VARNING:** Var noga med att identifiera säkerhetsåtgärder för att skydda användaren, vilka är grundade på en uppskattning av graden av exponering för vibrationer under de faktiska användningsförhållandena, (ta, förutom avtryckartiden, med alla delar av användarcykeln i beräkningen, som till exempel tiden då maskinen är avstängd och när den går på tomgång).

## EG-försäkran om överensstämmelse

### Gäller endast inom EU

EG-försäkran om överensstämmelse inkluderas som bilaga A till denna bruksanvisning.

## SÄKERHETSVARNINGAR

### VIKTIGA SÄKERHETSANVISNINGAR

**⚠ VARNING:** Läs igenom alla säkerhetsvarningar och anvisningar. Underlåtenhet att följa varningar och instruktioner kan leda till elstötar, brand och/eller allvarliga personskador.

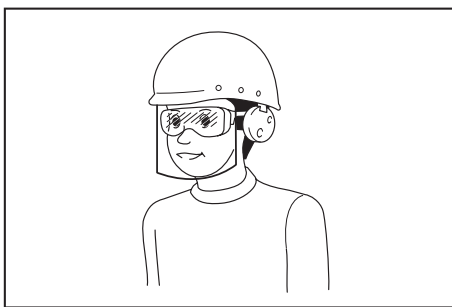
## Spara alla varningar och instruktioner för framtida referens.

### Utbildning

1. Läs anvisningarna noggrant. Var förtrogen med styrreglagen och korrekt användning av gräsklipparen.
2. Låt aldrig gräsklipparen användas av barn eller av personer som inte känner till dessa anvisningar. Lokala bestämmelser kan ange en åldersgräns för användaren.
3. Använd aldrig gräsklipparen när personer (särskilt barn) eller djur finns i närheten.
4. Glöm inte att användaren är ansvarig för olyckor eller eventuell fara gentemot andra personer och deras egendom.
5. Barn ska övervakas så att de inte leker med gräsklipparen.
6. Fysiskt tillstånd – Använd inte gräsklipparen under påverkan av droger, alkohol eller mediciner.

### Förberedelse

1. Bär alltid kraftiga skor och långbyxor när du använder gräsklipparen. Använd inte gräsklipparen barfota eller med öppna skor. Undvik att bära kläder eller smycken som sitter löst eller som har hängande snodder eller band. De kan fångas upp av rörliga delar.
2. Inspektera alltid gräsklipparen visuellt innan användning avseende skada, saknade eller felplacerade skydd.
3. Kontrollera att det inte finns några personer i området före gräsklippningen. Stäng av gräsklipparen om någon närmar sig.
4. Sätt inte i säkerhetsnyckeln i gräsklipparen förrän den är klar att användas.
5. Bär alltid skyddsglasögon för att skydda dina ögon från skada när du använder e-verktyg. Skyddsglasögonen måste uppfylla ANSI Z87.1 i USA, EN 166 i Europa, eller AS/NZS 1336 i Australien/Nya Zeeland. I Australien/Nya Zeeland måste man enligt lag även bära ansiktsskydd för att skydda ansiktet.



Det är arbetsgivarens ansvar att se till att användare och övriga personer i det omedelbara arbetsområdet använder lämplig skyddsutrustning.

6. Kontrollera före användning att knivarna eller knivbultarna inte är spruckna eller skadade. Byt omedelbart ut skadade knivar eller knivbultar.
7. Ta bort främmande föremål såsom stenar, kablar, flaskor, ben och långa pinnar från arbetsområdet innan gräsklippningen för att undvika personskador eller skada på gräsklipparen.
8. Föremål som träffas av gräsklipparens kniv kan orsaka allvarliga personskador. Gräsmattan ska alltid undersökas väl och röjas från föremål före varje klippning.
9. Se upp för hål, rötter, knölar, stenar eller andra dolda föremål. Ojämn terräng kan vara en halkrisk. Högt gräs kan dölja föremål.

#### Användning

1. Översträck inte. Ha god balans hela tiden. Se alltid till att ha balans på sluttningar. Gå, spring aldrig.
2. Stäng av gräsklipparen och ta ut säkerhetsnyckeln och se till att alla rörliga delar har slutat rotera:
  - när du lämnar gräsklipparen,
  - innan du tar bort något som fastnat eller rensar utkastningsrännan,
  - före kontroll, rengöring eller arbete på gräsklipparen,
  - om du stött emot ett främmande föremål med maskinen. Inspektera gräsklipparen efter skador och utför reparationer innan maskinen startas om och används på nytt:
  - om gräsklipparen börjar vibrera på ett onormalt sätt.
3. Använd aldrig gräsklipparen med skadade skydd eller utan säkerhetsutrustning, t. ex. stenskydd och/eller gräsuppsamlare, på plats.
4. Undvik att använda gräsklipparen vid dåliga väderförhållanden, speciellt vid risk för åska.
5. Bär alltid skyddsglasögon och kraftiga skor när du arbetar med gräsklipparen.
6. Använd endast gräsklipparen i dagsljus eller i god belysning.
7. Starta gräsklipparen omsorgsfullt enligt anvisningarna och med fötterna på säkert avstånd från knivarna.
8. Varsågod så att du inte skadar händer och fötter på gräsklipparkniverna.
9. Försäkra dig alltid om att lufthålen är fria från smuts.
10. Klipp långs med sluttningar, aldrig uppåt och nedåt. Var särskilt försiktig vid byte av riktning i sluttande terräng. Klipp inte mycket branta sluttningar.
11. Var mycket försiktig när du vänder gräsklipparen eller drar den mot dig.
12. Stoppa knivarna om gräsklipparen måste lutas för att transporteras över gräsfria ytor och när maskinen transporteras till och från området som ska klippas.
13. Luta inte gräsklipparen när du startar motorn, såvida den inte måste lutas för att startas. I så fall ska den inte lutas mer än vad som är absolut nödvändigt och lyft endast den delen som är längst bort från användaren. Se alltid till att båda händerna är i arbetsläge innan du ställer ner gräsklipparen på marken.
14. Placera inte händer och fötter i närheten av eller under roterande delar. Stå alltid långt ifrån utkastöppningen.
15. Transportera inte gräsklipparen medan den är igång.
16. Undvik att använda gräsklipparen i vått gräs.
17. Använd aldrig gräsklipparen i regn.
18. Håll alltid stadigt i handtaget.
19. Greppa inte de oskyddade knivbladen eller kniveggarna när du tar upp eller håller i gräsklipparen.
20. Håll händer och fötter borta från rörliga knivar. Försiktighet – Knivarna stannar inte omedelbart när gräsklipparen stängs av.
21. Stanna maskinen omedelbart om du lägger märke till något onormalt. Stäng av gräsklipparen och ta ut säkerhetsnyckeln. Kontrollera sedan gräsklipparen.
22. Försök aldrig göra justeringar av klipphöjden medan gräsklipparen är igång, om den har funktionen klipphöjdsinställning.
23. Släpp säkerhetsgreppet och vänta tills kniven har stannat innan du korsar en uppfart, gångväg, väg eller annat grustäckt område. Ta också ut säkerhetsnyckeln om du lämnar gräsklipparen, sträcker dig för att plocka upp eller ta bort något som ligger i vägen, eller om du på något annat sätt distraheras från arbetet.
24. Följ dessa steg om gräsklipparen slår emot ett främmande föremål:
  - Stanna gräsklipparen, släpp säkerhetsgreppet och vänta tills kniven stannat helt.
  - Ta bort säkerhetsnyckeln och batterikassetten.
  - Kontrollera gräsklipparen grundligt så att inte några skador har uppstått.
  - Byt ut kniven om den är skadad på något sätt. Reparera eventuella skador innan du startar om och återupptar användningen av gräsklipparen.
25. Starta inte gräsklipparen när du står framför utkastöppningen.

26. Om gräsklipparen börjar vibrera på ett onormalt sätt (kontrollera omedelbart)
  - kontrollera om skada har uppstått,
  - byt ut eller reparera skadade delar,
  - kontrollera och dra åt lösa delar.
27. Rikta aldrig utloppsmaterial mot någon. Undvik att rikta utloppsmaterial mot en vägg eller hinder. Material kan studsas tillbaka på användaren. Stanna bladet när du korsar grusvägar.
28. Dra inte gräsklipparen baklänges såvida det inte är absolut nödvändigt. När du är tvungen att backa gräsklipparen från ett staket eller liknande hinder måste du titta ner och bakom dig innan och medan du backar.
29. Stäng av motorn och vänta tills bladen har stannat innan du tar bort gräsupsamlaren. Tänk på att klingan inte stannar omedelbart när maskinen stängs av.

#### Underhåll och förvaring

1. Byt ut slitna eller skadade delar för säker användning. Använd endast originaldelar och tillbehör.
2. Inspektera och underhåll gräsklipparen regelbundet.
3. När gräsklipparen inte används ska den förvaras utom räckhåll för barn.
4. Se till att alla muttrar, bultar och skruvar är åtdragna för att alltid bibehålla utrustningen i säkert arbetsskick.
5. Kontrollera gräsupsamlaren regelbundet efter slitage eller försämring. Se alltid till att gräsupsamlaren är tom när maskinen förvaras. Byt ut gräsupsamlaren om den är sliten mot en ny från fabriken för säker användning.
6. Använd endast tillverkarens originalknivar som specificerats i denna bruksanvisning.
7. Var försiktig vid justering av gräsklipparen för att undvika att fastna med fingrarna mellan knivar i rörelse och fasta maskindelar.
8. Spola inte av maskinen med en slang, spola inte få i vatten i motorn och elektriska kopplingar.
9. Kontrollera knivens monteringsbult regelbundet så att den är ordentligt åtdragen.
10. Låt alltid gräsklipparen svalna innan du ställer in den för förvaring.
11. Vid underhåll av knivarna bör du vara uppmärksam på att de fortfarande kan snurra även om strömkällan är avstängd.
12. Ta aldrig bort eller mixtra med säkerhetsanordningar. Kontrollera regelbundet korrekt funktion. Gör aldrig något som stör säkerhetsanordningarnas avsedda funktion eller minskar det skydd som säkerhetsanordningarna ger.

#### Användning och underhåll av batteri

1. Ladda endast med den batteriladdare som angetts av tillverkaren. En laddare som passar en viss typ av batterier kan skapa risk för brand när den används tillsammans med annat batteri.
2. Använd endast maskiner tillsammans med tillhörande batterier. Om andra batterier används kan risken för personskada och brand öka.

3. När batteriet inte används bör det hållas borta från andra metallföremål som till exempel gem, mynt, nycklar, spik, skruv eller andra små metallföremål som kan skapa anslutning från en terminal till en annan. Kortslutning av batteripolerna kan orsaka brännskador eller brand.
4. Under hårda förhållande kan det komma vätska ur batteriet. Undvik kontakt. Spola med vatten om kontakt ändå råkar uppstå. Om vätskan kommer i kontakt med ögonen bör läkare uppsökas. Vätska från batteriet kan orsaka irritation på huden eller ge brännskador.
5. Använd inte ett batteripaket eller maskin som är skadat eller ändrat. Skadade eller ändrade batterier kan uppföra sig opålitligt, vilket kan leda till brand, explosion eller skaderisk.
6. Utsätt inte batteripaket eller maskiner för brand eller höga temperaturer. Exponering för brand eller temperaturer över 130 °C kan leda till explosion.
7. Följ alla laddningsinstruktioner och ladda inte batteripaketet eller maskinen utanför det temperaturintervall som anges i instruktionerna. Felaktig laddning, eller vid temperaturer utanför det angivna intervallet, kan skada batteriet och öka risken för brand.

#### EI- och batterisäkerhet

1. Släng inte batteriet/batterierna i öppen eld. Cellen kan explodera. Kontrollera de lokala reglerna för att se eventuellt särskild avfallshantering.
2. Öppna inte eller förstör batteriet/batterierna. Elektrolyt som kommer ut är frätande och kan ge ögon- eller hudskador. Det kan vara giftigt vid förtäring.
3. Ladda inte batteriet i regn eller i fuktiga eller våta utrymmen.
4. Ladda inte batteriet utomhus.
5. Hantera inte laddaren, däribland laddarstickproppen, och laddarens kopplingar med våta händer.

#### Service

1. Lämna maskinen till en auktoriserad verkstad för service och underhåll med originalreservdelar. Detta garanterar fortsatt säker användning av maskinen.
2. Utför aldrig service av skadade batteripaket. Service av skadade batteripaket får endast utföras av tillverkaren eller auktoriserade serviceleverantörer.

## SPARA DESSA ANVISNINGAR.

**⚠ VARNING: GLÖM INTE** att också fortsättningsvis strikt följa säkerhetsanvisningarna för maskinen även efter att du blivit van att använda den.

Vid FELAKTIG HANTERING av maskinen eller om inte säkerhetsanvisningarna i denna bruksanvisning följs kan följden bli allvarliga personskador.

## Viktiga säkerhetsanvisningar för batterikassetten

1. Innan batterikassetten används ska alla instruktioner och varningsmärken på (1) batteriladdaren, (2) batteriet och (3) produkten läsas.
2. Montera inte isär eller mixtra med batterikassetten. Det kan leda till brand, överdriven värme eller explosion.
3. Om drifttiden blivit avsevärt kortare ska användningen avbrytas omedelbart. Det kan uppstå överhettning, brännskador och t o m en explosion.
4. Om du får elektrolyt i ögonen ska de sköljas med rent vatten och läkare uppsöks omedelbart. Det finns risk för att synen förloras.
5. Kortslut inte batterikassetten.
  - (1) Rör inte vid polerna med något strömförande material.
  - (2) Undvik att förvara batterikassetten tillsammans med andra metallobjekt som t.ex. spikar, mynt o.s.v.
  - (3) Skydda batteriet mot vatten och regn. En batterikortslutning kan orsaka ett stort strömflöde, överhettning, brand och maskinhaveri.
6. Förvara och använd inte verktyget och batterikassetten på platser där temperaturen kan nå eller överstiga 50 °C.
7. Bränn inte upp batterikassetten även om den är svårt skadad eller helt utsletten. Batterikassetten kan explodera i öppen eld.
8. Spika inte i, krossa, kasta, tappa eller slå batterikassetten mot hårda föremål. Dylika handlingar kan leda till brand, överdriven värme eller explosion.
9. Använd inte ett skadat batteri.
10. De medföljande litiumjonbatterierna är föremål för kraven i gällande lagstiftning för farligt gods. För kommersiella transporter (av t.ex. tredje parter som speditorsfirmor) måste de särskilda transportkrav som anges på emballaget och etiketter iakttas. För att förbereda den produkt som ska avsändas krävs att du konsulterar en expert på riskmaterial. Var också uppmärksam på att det i ditt land kan finnas ytterligare föreskrifter att följa. Tejpa över eller maskera blottade kontakter och packa batteriet på sådant sätt att det inte kan röra sig fritt i förpackningen.
11. När batterikassetten ska kasseras måste den tas bort från maskinen och kasseras på ett säkert sätt. Följ lokala föreskrifter beträffande avfallshandling av batteriet.
12. Använd endast batterierna med de produkter som specificerats av Makita. Att använda batterierna med ej godkända produkter kan leda till brand, överdriven värme, explosion eller utläckande elektrolyt.
13. Om maskinen inte används under en lång tid måste batteriet tas bort från maskinen.
14. Under och efter användning kan batterikassetten bli het vilket kan orsaka brännskador eller lättare brännskador. Var uppmärksam på hur du hanterar varma batterikassetter.

15. Vidrör inte verktyget direkt efter användning eftersom de kan bli heta och orsaka brännskador.
16. Låt inte flisor, damm eller smuts fastna i kontaktarna, i hål eller spår i batterikassetten. Det kan leda till dålig prestanda eller till att verktyget eller batterikassetten går sönder.
17. Såvida inte verktyget stöder arbeten i närheten av högspänningsledning får batterikassetten inte användas i närheten av en högspänningsledning. Det kan leda till att verktyget eller batterikassetten går sönder eller inte fungerar korrekt.
18. Förvara batteriet utom räckhåll för barn.

## SPARA DESSA ANVISNINGAR.

**⚠ FÖRSIKTIGT:** Använda endast äkta Makita-batterier. Användning av oäkta Makita-batterier eller batterier som har manipulerats kan leda till person- och utrustningsskador eller till att batteriet fattar eld. Det upphäver också Makitas garanti för verktyget och laddaren.

## Tips för att uppnå batteriets maximala livslängd

1. Ladda batterikassetten innan den är helt urladdad. Stanna alltid maskinen och ladda batterikassetten när du märker att maskinen blir svagare.
2. Ladda aldrig en fulladdad batterikasset. Överladdning förkortar batteriets livslängd.
3. Ladda batterikassetten vid en rumstemperatur på 10 °C - 40 °C. Låt en varm batterikasset svalna innan den laddas.
4. När batterikassetten inte används ska den tas bort från verktyget eller laddaren.
5. Ladda batterikassetten om du inte har använt den på länge (mer än sex månader).

## MONTERING

**⚠ VARNING:** Se alltid till att ta ut säkerhetsnyckeln och batterikassetten innan du utför något arbete på gräsklipparen. Underlåtelse att ta ut säkerhetsnyckeln och batterikassetten kan leda till allvarig personskada på grund av oavsiktlig start.

**⚠ VARNING:** Starta aldrig gräsklipparen om den inte är komplett monterad. Användning av en delvis monterad gräsklippare kan leda till allvarig personskada på grund av oavsiktlig start.

## Montera batterikåpan

**⚠ VARNING:** Sätt inte i säkerhetsnyckeln och batterikassetten innan du monterat batterikåpan. Om du gör detta kan det orsaka allvarig personskada.

Montera batterikåpan helt innan användning. Batterikåpan skyddar gräsklipparen och batterikassetten från lera, smuts och vatten.

1. Placera batterikåpan med gräsklipparens utsprång i linje med batterikåpanns hål.

► **Fig.1:** 1. Utsprång 2. Hål 3. Batterikåpa

2. Placera händerna mitt på batterikåpan och tryck på den.

► **Fig.2**

3. Innan du använder maskinen för första gången ska du kontrollera att batterikåpanns vridpunkter är rätt monterade. Om batterikåpan har monterats korrekt öppnas den inte förrän dess låsreglage dras.

► **Fig.3:** 1. Vridpunkt 2. Batterikåpanns låsreglage

## Montera handtaget

**OBSERVERA:** Vid montering av handtagen ska kablarna placeras så att de inte fångas in av någonting mellan handtagen. Om kabeln är skadad kanske inte gräsklipparens startknapp fungerar.

1. Skjut in båda ändar av det nedre handtaget i gräsklipparens spår och dra sedan åt låsskruvarna.

► **Fig.4:** 1. Låsskruv 2. Nedre handtaget

2. Rikta in det övre handtagets skruvhål med hålen i det nedre handtaget. Säkra dem med låsskruvarna och spännmutterna.

► **Fig.5:** 1. Spännmutter 2. Låsskruv

**OBS:** Håll det övre handtaget i ett fast grepp så att det inte glider ur handen.

3. Fäst hållarna till handtaget. Placera strömkabeln enligt figuren.

► **Fig.6:** 1. Hållare

## Ta bort mulchingpluggen

### Extra tillbehör

1. Öppna den bakre luckan.

► **Fig.7:** 1. Bakre hölje

2. Håll mulchingpluggen i handtaget och dra ut den från gräsklipparen enligt bilden.

► **Fig.8:** 1. Mulchingplugg 2. Handtag

## Montera gräsuppsamlare

1. Öppna den bakre luckan.

► **Fig.9:** 1. Bakre hölje

2. Haka fast gräsuppsamlaren på stängan på gräsklipparen enligt figuren.

► **Fig.10:** 1. Krok 2. Stång 3. Gräsuppsamlare

## Montera mulchingpluggen

### Extra tillbehör

1. Öppna den bakre luckan och ta sedan bort gräsuppsamlaren.

► **Fig.11:** 1. Bakre hölje 2. Gräsuppsamlare

2. Håll mulchingpluggen i handtaget och fäst den på gräsklipparen enligt bilden.

► **Fig.12:** 1. Mulchingplugg 2. Handtag

# FUNKTIONSBESKRIVNING

## Montera eller demontera batterikassetten

**⚠ FÖRSIKTIGT:** Stäng alltid av maskinen innan du monterar eller tar bort batterikassetten.

**⚠ FÖRSIKTIGT:** Se till att du läser batterikåpan före användning. I annat fall kan lera, smuts eller vatten orsaka skada på produkten eller batterikassetten.

**⚠ FÖRSIKTIGT:** För alltid in batterikassetten helt tills den röda indikatorn inte längre syns. I annat fall kan den plötsligt lossna från maskinen och skada dig eller någon annan.

**⚠ FÖRSIKTIGT:** Montera inte batterikassetten med våld. Om kassetten inte lätt glider på plats är den felaktigt insatt.

**OBS:** Maskinen fungerar inte med endast en batterikasset.

### För att montera batterikassetten.

1. Skjut på batterikåpanns låsreglage och öppna batterikåpan.

► **Fig.13:** 1. Batterikåpa 2. Batterikåpanns låsreglage

2. Rikta in batterikassetten tunga mot öppningen på gräsklipparen. Skjut sedan in kassetten tills den låser fast med ett litet klick.

► **Fig.14:** 1. Batterikasset

3. Sätt in säkerhetsnyckeln på platsen som visas i figuren, så långt det går.

► **Fig.15:** 1. Säkerhetsnyckel

4. Stäng batterikåpan och tryck på den tills den sitter fast med låsreglaget.

### Ta bort batterikassetten från gräsklipparen;

1. Skjut på batterikåpanns låsreglage och öppna batterikåpan.

2. Dra ur batterikassetten från gräsklipparen samtidigt som du skjuter på knappen på kassetten framsida.

3. Dra ut säkerhetsnyckeln.

4. Stäng batterikåpan.

## Skyddssystem för maskinen/ batteriet

Maskinen är utrustad med ett batteriskyddssystem. Detta system bryter automatiskt strömmen till motorn för att förlänga verktygets och batteriets livslängd. Maskinen stannar automatiskt under användningen om maskinen eller batteriet hamnar i en av följande.

## Överbelastningskydd

Om maskinen används på ett sätt som gör att den drar onormalt mycket ström kan den stoppas automatiskt utan någon varning. När detta sker stänger du av maskinen och upphör med arbetet som gjorde att den överbelastades. Starta därefter upp maskinen igen.

## Överhettningsskydd

När maskinen överhettas stoppar den automatiskt. Låt maskinen svalna innan du startar den igen.

## Överurladdningsskydd

När batterikapaciteten är låg stoppar maskinen automatiskt. Om produkten inte fungerar trots att knapparna fungerar som de ska tar du bort batterierna från maskinen och laddar dem.

### Indikerar kvarvarande batterikapacitet

► **Fig.16:** 1. Batteriindikator









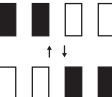
När återstående batterikapacitet blir låg blinkar batteriindikatorn på den aktuella batterisidan. Vid ytterligare användning stoppar maskinen och batteriindikatorn tänds under cirka 10 sekunder. Ladda batterikassetten om detta inträffar.

### Indikerar kvarvarande batterikapacitet

**Endast för batterikassetter med indikator**

► **Fig.17:** 1. Indikatorlampor 2. Kontrollknapp

Tryck på kontrollknappen på batterikassetten för att se kvarvarande batterikapacitet. Indikatorlamporna lyser i ett par sekunder.

Indikatorlampor			Kvarvarande kapacitet
Upplyst	Av	Blinkar	
			
			75% till 100%
			50% till 75%
			25% till 50%
			0% till 25%
			Ladda batteriet.
			Batteriet kan ha skadats.

**OBS:** Beroende på användningsförhållanden och den omgivande temperaturen kan indikationen skilja sig lätt från den faktiska batterikapaciteten.

## Avtryckarens funktion

**⚠ VARNING:** Innan du monterar batterikassetten ska du alltid kontrollera att säkerhetsgreppet fungerar korrekt och går tillbaka till ursprungsläget när det släpps. Att använda en maskin med ett felaktigt säkerhetsgrepp kan leda till förlorad kontroll och allvarlig personskada.

**OBS:** Gräsklipparen startar inte utan att startknappen trycks in även om du drar in säkerhetsgreppet.

**OBS:** Det kan hända att gräsklipparen inte startar på grund av överbelastning när du försöker klippa långt eller tätt gräs. Öka i sådant fall klipphöjden.

Denna gräsklippare är utrustad med en spärrbrytare och handtagsbrytare. Om du lägger märke till något onormalt med någon av dessa brytare ska du genast sluta använda maskinen och låta ditt närmaste auktoriserade servicecenter för Makita kontrollera dem.

1. Sätt i batterikassetten. Sätt i säkerhetsnyckeln i spärrbrytaren och stäng batterikåpan.

► **Fig.18:** 1. Batterikasset 2. Säkerhetsnyckel

2. Tryck in och håll inne startknappen.

3. Greppa tag i det övre handtaget och dra i säkerhetsgreppet.

► **Fig.19:** 1. Startknapp 2. Säkerhetsgrepp

4. Släpp startknappen så fort motorn startar. Gräsklipparen kommer fortsätta att gå tills du släpper säkerhetsgreppet.

5. Släpp säkerhetsgreppet för att stanna motorn.

## Justering av klipphöjden

**⚠ VARNING:** Placera aldrig handen eller foten under gräsklipparen när du justerar klipphöjden.

**⚠ VARNING:** Kontrollera alltid att spaken sitter ordentligt i spåret före användning.

Klipphöjden kan justeras mellan 20 mm och 75 mm.

1. Ta ut säkerhetsnyckeln.

2. Dra justeringsspaken för klipphöjd ut från gräsklipparen och flytta den till önskad klipphöjd.

► **Fig.20:** 1. Justeringsspak för klipphöjd

**OBS:** Klipphöjdsstiffrorna bör endast användas som en riktlinje. Beroende på gräsmattans eller underlagets förhållanden kan den verkliga klipphöjden skilja sig något från den inställda höjden.

**OBS:** Gör en testklippning i ett mindre synligt område för att få önskad höjd.

## Indikator för gräsnivå

► **Fig.21:** 1. Indikator för gräsnivå

Indikatorn för gräsnivå visar mängden gräs som har klippts.

- Om gräsuppsamlaren inte är full flyter indikatorn under klippningen.
- Om gräsuppsamlaren är full flyter inte indikatorn under klippningen. Om detta är fallet stoppar du omedelbart klippningen och tömmer uppsamlaren. När du har tömt uppsamlaren rengör du den så att dess galler nät släpper igenom luft.

**OBS:** Denna indikator ger en grov uppskattning. Beroende på förhållandena inuti uppsamlaren fungerar eventuellt inte denna indikator på rätt sätt.

## Använda mulchingpluggen

### Extra tillbehör

Med mulchingpluggen kan du lämna det klippta gräset på marken utan att samla upp gräset i gräsupsamlaren. När du använder maskinen med mulchingpluggen måste du se till att ta bort gräsupsamlaren.

**OBSERVERA:** När maskinen används med mulchingpluggen måste du se till att gräsets totala längd efter klippning är 30 mm eller mer, och att den kapade längden är 15 mm eller mindre.

► Fig.22: (1) 30 mm eller mer (2) 15 mm eller mindre

## ANVÄNDNING

### Gräsklippning

**⚠ VARNING:** Före gräsklippningen ska alla pinnar och stenar i klippområdet tas bort. Ta också bort ogräs i förväg.

**⚠ VARNING:** Bär alltid korgglasögon eller skyddsglasögon med sidoskydd när du använder gräsklipparen.

**⚠ FÖRSIKTIGT:** Om avklippt gräs eller främmande föremål täpper till inuti gräsklipparen, se då till att ta bort säkerhetsnyckeln och batterikassetten och ha handskar på innan du tar bort gräset eller det främmande föremålet.

**OBSERVERA:** Använd endast denna maskin för att klippa gräsmattor. Klipp inte ogräs med denna maskin.

► Fig.23

Håll stadigt i handtaget med båda händerna vid gräsklippningen.

Riktlinjen för gräsklippning är ca 1 meter för var 4:e sekund.

► Fig.24

Framhjulets ytterkanter är klippbreddens riktlinje. Använd framhjulets ytterkanter som riktlinje och klipp i rader. Överlappa med en halv till en tredjedel på tidigare rad för att klippa gräsmattan jämnt.

► Fig.25: 1. Klippbredd 2. Överlappande område 3. Yttersida

Ändra klippriktning varje gång för att förhindra mönster i gräsmattan i bara en riktning.

► Fig.26

Kontrollera då och då att gräsupsamlaren inte är full. Töm gräsupsamlaren innan den är full. Före varje regelbunden kontroll ska gräsklipparen stängas av och säkerhetsnyckeln och batterikassetten tas ut.

**OBSERVERA:** Användning av gräsklipparen med en full gräsupsamlare förhindrar smidig knivrotation och lägger en extra belastning på motorn, vilket kan orsaka motorstopp.

## Klippning av högt gräs

Försök inte att klippa högt gräs på en och samma gång. Istället klipper du gräsmattan i omgångar. Klipp med en eller två dagars mellanrum tills gräsmattan är jämnt klippt.

**OBS:** Att klippa högt gräs kort på en och samma gång kan leda till att gräset dör. Det klippta gräset kan också täppa igen undersidan av gräsklipparen.

## Tömma gräsupsamlaren

**⚠ VARNING:** För att undvika risken för olyckor ska gräsupsamlaren kontrolleras regelbundet så att skada eller försvagning inte har uppstått. Byt ut gräsupsamlaren om så krävs.

1. Släpp säkerhetsgreppet.
2. Ta ut säkerhetsnyckeln.
3. Öppna det bakre höljiet och ta ut gräsupsamlaren med hjälp av handtaget.  
► Fig.27: 1. Bakre hölje 2. Handtag
4. Töm gräsupsamlaren.

## UNDERHÅLL

**⚠ VARNING:** Se alltid till att säkerhetsnyckeln och batterikassetten tas ut från gräsklipparen innan du tar den i förvar, bär den eller försöker utföra kontroll eller underhåll på den.

**⚠ VARNING:** Ta alltid ut säkerhetsnyckeln när gräsklipparen inte används. Förvara säkerhetsnyckeln på en säker plats utom räckhåll för barn.

**⚠ VARNING:** Bär handskar vid kontroll eller underhåll.

**⚠ VARNING:** Bär alltid korgglasögon eller skyddsglasögon med sidoskydd när du utför kontroll eller underhåll.

**OBSERVERA:** Använd inte bensin, förtunningsmedel, alkohol eller liknande. Missfärgning, deformation eller sprickor kan uppstå.

För att upprätthålla produktens SÄKERHET och TILLFÖRLITLIGHET bör allt underhålls- och justeringsarbete utföras av ett auktoriserat Makita servicecenter och med reservdelar från Makita.

## Underhåll

1. Ta ut säkerhetsnyckeln. Förvara den på en säker plats utom räckhåll för barn.
2. Rengör gräsklipparen med en våt trasa. Spruta eller häll inte vatten på gräsklipparen vid rengöring.
3. Placera gräsklipparen på sidan och ta bort avklippt gräs som har samlats på undersidan av gräsdäcket.
4. Kontrollera åtdragningen av alla muttrar, bultar, vred, skruvar, fästaneländningar osv.
5. Kontrollera om klippdelar är skadade, trasiga eller utslitna. Skadade eller saknade delar bör repareras eller bytas ut.



## Förvaring

**⚠ VARNING:** När du bär eller förvarar gräsklipparen ska du inte hålla i de hopvikta handtagen, utan i det främre handtaget på gräsklipparen. Att hålla i de hopvikta handtagen kan leda till allvarlig personskada eller att gräsklipparen skadas.

Batterikassetten och säkerhetsnyckeln ska tas ut innan gräsklipparen förvaras.

Förvara gräsklippare inomhus på en kall, torr och låst plats. Förvara inte gräsklipparen och laddaren på platser där temperaturen kan nå eller överstiga 40 °C.

► **Fig.28:** 1. Främre handtaget 2. Bakre handtaget

1. Lossa låsskruvarna och dra ut det nedre handtaget åt båda sidor. För handtaget framåt. Håll nu ett fast grepp i det nedre handtaget så att det inte faller ned till gräsklipparens bortsida.

► **Fig.29:** 1. Låsskruv 2. Nedre handtaget

2. Lossa spännmuttrarna och vrid tillbaka det övre handtaget samtidigt som du drar det utåt åt båda sidor.

► **Fig.30:** 1. Spännmutter 2. Övre handtaget

3. Förvara gräsupsamlaren mellan handtaget och gräsklipparen.

► **Fig.31:** 1. Gräsupsamlare

**OBS:** När du placerar gräsklipparen i upprätt läge ska du inte hålla i handtaget, utan använda gräsklipparens främre handtag.

## Ta bort eller montera gräsklipparkniven

**⚠ VARNING:** Ta alltid ut säkerhetsnyckeln och batterikassetten när du tar bort eller monterar kniven. Underlåtelse att ta ut säkerhetsnyckeln och batterikassetten kan leda till allvarlig skada.

**⚠ VARNING:** Kniven snurrar i några sekunder efter att säkerhetsgreppet har släppts. Påbörja inget arbete med kniven förrän den har stannat helt.

**⚠ VARNING:** Bär alltid handskar när du hanterar kniven.

## Ta bort gräsklipparkniven

### För DLM382

1. Placera gräsklipparen på sidan så att justerings-spaken för klipp höjd är vänd uppåt.

2. Lås knivens rotation genom att sätta i en skruvmejsel eller liknande i hålet längst in på gräsklipparen.

3. Vrid bulten moturs med nyckeln.

► **Fig.32:** 1. Gräsklipparkniv 2. Skruvmejsel 3. Nyckel

4. Ta bort bulten och kniven i ordning.

► **Fig.33:** 1. Knivsupport 2. Gräsklipparkniv 3. Bult

### För DLM432

1. Placera gräsklipparen på sidan så att justerings-spaken för klipp höjd är vänd uppåt.

2. Lås knivens rotation genom att sätta i en skruvmejsel eller liknande i hålet längst in på gräsklipparen.

3. Vrid bulten moturs med nyckeln.

► **Fig.34:** 1. Gräsklipparkniv 2. Skruvmejsel 3. Nyckel

4. Ta bort bulten, den yttre flänsen, gräsklipparkniven och den inre flänsen i denna ordning.

► **Fig.35:** 1. Inre fläns 2. Gräsklipparkniv 3. Yttre fläns 4. Bult

## Installera gräsklipparkniven

Montera gräsklipparkniven genom att följa borttagnings-proceduren i omvänd ordning.

**⚠ VARNING:** Montera gräsklipparkniven försiktigt. Den har en sida som ska vara uppåt och en som ska vara nedåt. Placera kniven så att rotationsriktningsspilen är riktad utåt.

**⚠ VARNING:** Dra åt bulten medurs ordentligt för att fästa kniven.

**⚠ VARNING:** Se till att gräsklipparkniven och alla fixeringsdelarna monteras korrekt och dras åt ordentligt.

**⚠ VARNING:** När du byter ut knivarna ska du alltid följa anvisningarna i denna bruksanvisning.

# FELSÖKNING

Innan du ber om reparation ska du först utföra en egen kontroll. Om du hittar ett problem som inte finns förklarat i bruksanvisningen ska du inte försöka att ta isär maskinen. Fråga istället ett auktoriserad servicecenter för Makita, och använd alltid reservdelar från Makita för reparationer.

Feltillstånd	Trolig orsak (felsfunktion)	Åtgärd
Gräsklipparen startar inte.	Två batterikassetter är inte insatta.	Sätt i de laddade batterikassetterna.
	Batteriproblem (underspänning)	Ladda batterikassetten på nytt. Om laddning inte hjälper byter du ut batterikassetten.
	Säkerhetsnyckeln är inte i.	Sätt i säkerhetsnyckeln.
Motorn stannar efter en kort stunds användning.	Batterinivån är låg.	Ladda batterikassetten på nytt. Om laddning inte hjälper byter du ut batterikassetten.
	Klipphöjden är för låg.	Öka klipphöjden.
Motorn når inte det maximala varvtalet.	Batterikassetten är felaktigt insatt.	Sätt i batterikassetten enligt anvisningarna i denna bruksanvisning.
	Batterinivån sjunker.	Ladda batterikassetten på nytt. Om laddning inte hjälper byter du ut batterikassetten.
	Drivsystemet fungerar inte som det ska.	Lämna in till ditt lokala auktoriserade servicecenter för reparation.
Gräsklipparkniven roterar inte: ⇒ stoppa gräsklipparen omedelbart!	Ett främmande föremål som t.ex. en gren har fastnat nära kniven.	Ta bort det främmande föremålet.
	Drivsystemet fungerar inte som det ska.	Lämna in till ditt lokala auktoriserade servicecenter för reparation.
Onormal vibration: ⇒ stoppa gräsklipparen omedelbart!	Kniven är obalanserad, överdrivet eller ojämnt utsliten.	Byt ut kniven.

## VALFRIA TILLBEHÖR

**⚠ FÖRSIKTIGT:** Följande tillbehör eller tillsatser rekommenderas för användning med den Makita-maskin som denna bruksanvisning avser. Om andra tillbehör eller tillsatser används kan det uppstå risk för personskador. Använd endast tillbehören eller tillsatserna för de syften de är avsedda för.

Kontakta ditt lokala Makita servicecenter om du behöver ytterligare information om dessa tillbehör.

- Gräsklipparkniv
- Mulchingplugg
- Makitas originalbatteri och laddare

**OBS:** Några av tillbehören i listan kan vara inkluderade i maskinpaketet som standardtillbehör. De kan variera mellan olika länder.

## TEKNISKE DATA

Modell:	DLM382	DLM432
Kuttebredde (knivdiameter)	380 mm	430 mm
Hastighet uten belastning	3 700 min <sup>-1</sup>	3 600 min <sup>-1</sup>
Delenummer for reserve gressklipperkniv	191D41-2	191D43-8
Mål (L x B x H)	ved bruk L: 1 380 mm til 1 410 mm B: 450 mm H: 985 mm til 1 005 mm	L: 1 435 mm til 1 490 mm B: 460 mm H: 1 005 mm til 1 045 mm
	ved lagring (uten gresskurven)	860 mm x 450 mm x 475 mm
Merkespenning	DC 36 V	
Nettvekt	15,0 - 16,5 kg	15,4 - 17,1 kg

- På grunn av vårt kontinuerlige forsknings- og utviklingsprogram kan spesifikasjonene som oppgis i dette dokumentet endres uten varsel.
- Spesifikasjonene kan variere fra land til land.
- Vekten kan variere avhengig av tilbehøret/tilbehørene, inkludert batteriet. Den letteste og tyngste kombinasjonen, i henhold til EPTA-prosedyre 01/2014, vises i tabellen.

## Passende batteri og lader

Batteriinnsett	BL1815N / BL1820 / BL1820B / BL1830 / BL1830B / BL1840 / BL1840B / BL1850 / BL1850B / BL1860B
Lader	DC18RC / DC18RD / DC18RE / DC18SD / DC18SE / DC18SF / DC18SH







- Noen av batteriene og laderne som er opplistet ovenfor er kanskje ikke tilgjengelige, avhengig av hvor du bor.

**⚠ ADVARSEL:** Bruk kun de batteriene og laderne som er opplistet ovenfor. Bruk av andre batterier og ladere kan føre til personskader og/eller brann.

**⚠ ADVARSEL:** Ikke bruk en kablet strømforsyning som batteriadapter eller bærbar lader med denne maskinen. Strømforsyningens kabel kan komme i veien under bruk og føre til personskade.

## Symboler

Nedenfor ser du symbolene som kan brukes for dette utstyret. Forviss deg om at du forstår hva de betyr, før du begynner å bruke maskinen.

	Vær spesielt forsiktig og oppmerksom.
	Les bruksanvisningen.
	Vær oppmerksom på at objekter kan bli kastet ut.
	Avstanden mellom maskinen og andre personer enn operatøren må være minst 15 m.
	Plasser aldri hender og føtter nær bladene under gressklipperen. Knivene fortsetter å rotere etter at motoren er slått av.
	Fjern låsenøkkel før gressklipperen inspiseres, justeres, rengjøres, mottar service, forlates og oppbevares.



Ni-MH  
Li-Ion

Kun for EU-land  
Kast aldri elektroutstyr eller batteripakker i husholdningsavfallet!  
I henhold til EU-direktivene om kasserte elektriske og elektroniske produkter, og om batterier og akkumulatører og brukte batterier og akkumulatører og direktivenes iverksettning i nasjonal rett, må elektriske produkter og batterier og batteripakker som ikke lenger skal brukes, samles separat og returneres til et miljøvennlig gjenvinningsanlegg.

## Riktig bruk

Denne maskinen er kun laget for gressklipping.

Typisk A-vektet lydtrykknivå er bestemt i henhold til EN60335-2-77:

**Modell DLM382**

Lydtrykknivå ( $L_{pA}$ ): 81 dB (A)  
Lydeffektnivå ( $L_{WA}$ ): 91 dB (A)  
Usikkerhet (K): 3 dB (A)

**Modell DLM432**

Lydtrykknivå ( $L_{pA}$ ): 81 dB (A)  
Lydeffektnivå ( $L_{WA}$ ): 92 dB (A)  
Usikkerhet (K): 3 dB (A)

**MERK:** Den/de oppgitte verdien(e) for genererte vibrasjoner har blitt målt i henhold til standard testmetoder, og kan bli brukt til å sammenligne ett verktøy med et annet.

**MERK:** Den/de angitte verdien(e) for de genererte vibrasjonene kan også brukes til en foreløpig vurdering av eksponeringen.

**⚠ ADVARSEL:** Bruk hørselsvern.

**⚠ ADVARSEL:** De genererte vibrasjonene ved faktisk bruk av elektroverktøyet kan avvike fra den/de angitte vibrasjonsverdien(e), avhengig av hvordan verktøyet brukes.

**⚠ ADVARSEL:** Sørg for å identifisere vernetiltak for å beskytte operatøren, som er basert på et estimat av eksponeringen under de faktiske bruksforholdene (idet det tas hensyn til alle deler av driftssyklusen, dvs. hvor lenge verktøyet er slått av, hvor lenge det går på tomgang og hvor lenge startbryteren faktisk holdes trykket).

**Vibrasjoner**

Den totale vibrasjonsverdien (triaksial vektorsum) bestemt i henhold EN60335-2-77:

**Modell DLM382**

Genererte vibrasjoner ( $a_h$ ): 2,5 m/s<sup>2</sup> eller mindre  
Usikkerhet (K): 2,0 m/s<sup>2</sup>

**Modell DLM432**

Genererte vibrasjoner ( $a_h$ ): 2,5 m/s<sup>2</sup> eller mindre  
Usikkerhet (K): 1,5 m/s<sup>2</sup>

**MERK:** Den/de oppgitte verdien(e) for totalt genererte vibrasjoner har blitt målt i henhold til standard testmetoder, og kan bli brukt til å sammenligne ett verktøy med et annet.

**MERK:** Den/de angitte verdien(e) for totalt genererte vibrasjoner kan også brukes til en foreløpig vurdering av eksponeringen.

**⚠ ADVARSEL:** De genererte vibrasjonene ved faktisk bruk av elektroverktøyet kan avvike fra den/de angitte vibrasjonsverdien(e), avhengig av hvordan verktøyet brukes og spesielt i forhold til arbeidsstykket som blir behandlet.

**⚠ ADVARSEL:** Sørg for å identifisere vernetiltak for å beskytte operatøren, som er basert på et estimat av eksponeringen under de faktiske bruksforholdene (idet det tas hensyn til alle deler av driftssyklusen, dvs. hvor lenge verktøyet er slått av, hvor lenge det går på tomgang og hvor lenge startbryteren faktisk holdes trykket).

**Gjelder kun for land i Europa**

EFs samsvarserklæring er lagt til som vedlegg A i denne bruksanvisningen.

**SIKKERHETSADVARSEL****VIKTIGE  
SIKKERHETSINSTRUKSJONER**

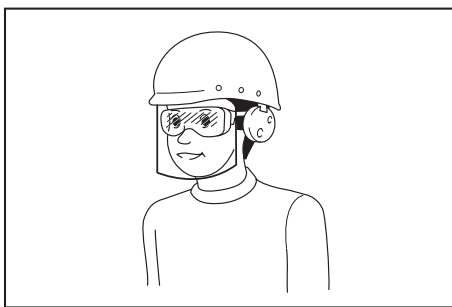
**⚠ ADVARSEL:** Les alle sikkerhetsadvarslene og alle instruksjonene. Hvis du ikke følger alle advarslene og instruksjonene som er oppført nedenfor, kan det føre til elektriske støt, brann og/eller alvorlige helseskader.

**Oppbevar alle advarsler og instruksjoner for senere bruk.****Opplæring**

1. Les nøye gjennom bruksanvisningen. Gjør deg kjent med kontrollene, og sett deg inn i hvordan gressklipperen fungerer.
2. La aldri barn eller personer som ikke er kjent med denne bruksanvisningen bruke gressklipperen. Lokale bestemmelser kan omfatte aldersgrenser for bruk av utstyret.
3. Aldri bruk gressklipperen mens uvedkommende (særlig barn og kjæledyr) er tilstede.
4. Vær oppmerksom på at operatøren eller brukeren er ansvarlig for ulykker eller skader som berører andre personer eller deres eiendom.
5. Barn skal holdes under tilsyn for å sikre at de ikke leker med gressklipperen.
6. Fysisk form - Bruk ikke gressklipperen under påvirkning av narkotika, alkohol eller noen medikamenter.

**Klargjøring**

1. Bruk alltid solid fottøy og lange benklær når gressklipperen brukes. Ikke bruk gressklipperen barbeint eller med åpne sandaler. Unngå klær og smykker som er løse eller har hengende snorer eller bånd. De kan sette seg fast i bevegelige deler.
2. Før bruk skal gressklipperen alltid kontrolleres visuelt med tanke på skade, manglende eller feilplasserte vern eller skjermer.
3. Sørg for at ingen andre personer befinner seg på området før du begynner å klippe. Stans gressklipperen hvis noen kommer inn på området.
4. Ikke sett låsenøkkelen i gressklipperen før den er klar til bruk.
5. Bruk alltid vernebriller for å beskytte øynene mot skade når du bruker elektroverktøy. Brillene må oppfylle kravene i ANSI Z87.1 i USA, EN 166 i Europa eller AS/NZS 1336 i Australia/New Zealand. I Australia/New Zealand er det dessuten lovpålagt å bruke et ansiktsvern for å beskytte ansiktet.



Det er arbeidsgivers ansvar å påse at verktøyoperatørene og alle andre personer i arbeidsområdet umiddelbare nærhet bruker riktig verneutstyr.

6. Før bruk må du kontrollere nøye at knivene eller knivboltene ikke har sprekker eller andre skader. Skift ut sprukne eller ødelagte kniver eller knivbolter omgående.
7. Før bruk av gressklipperen, fjern fremmedlegemer fra arbeidsområdet, som for eksempel steiner, ledninger, flasker, bein og store pinner, for å hindre helseskade eller skade på gressklipperen.
8. Gjenstander som slår mot gressklipperen, kan forårsake alvorlig helseskade. Plenen bør alltid undersøkes nøye og alle objekter fjernes før hver klipping.
9. Se opp for hull, furer, dumper, steiner eller andre skjulte gjenstander. Ujevnt terreng kan forårsake en skli- og fallulykke. Høyt gress kan skjule gjenstander.

#### Bruk

1. Ikke strekk deg for langt. Pass alltid på at du holder balansen. Sørg alltid for å ha godt fotfeste i skråninger. Gå, løp aldri.
2. Stopp gressklipperen og ta ut låsenøkkelen, og kontrollér at alle bevegelige deler har stoppet helt opp:
  - alltid når du forlater gressklipperen,
  - før du fjerner ting som har satt seg fast eller renser rennen,
  - før kontroll, rengjøring eller arbeid på gressklipperen,
  - etter at du har slått borti et fremmedlegeme.Kontroller gressklipperen med tanke på skade, og reparer før ny oppstart og bruk av gressklipperen,
  - når utstyret begynner å vibrere unormalt kraftig.
3. Aldri bruk en gressklipper som har defekte vern eller beskyttelse, eller som ikke har sikkerhetsutstyr som for eksempel defektorer og eller gresskurv på plass.
4. Unngå å bruke gressklipperen under dårlige værforhold, spesielt hvis det er fare for lyn.
5. Du må alltid ha på deg vernebriller og solide sko når du bruker gressklipperen.
6. Gressklipperen skal kun brukes i dagslys eller ved god kunstig belysning.
7. Start gressklipperen forsiktig i henhold til instruksjonene og hold føttene på god avstand fra bladene.
8. Ta nødvendige forholdsregler for å unngå å gressklipperknivene skader føtter eller hender.
9. Pass på at ventilasjonsåpningene alltid holdes fri for rusk og rask.
10. Klipp på tvers av skråninger, aldri oppover og nedover. Vær svært forsiktig under endring av retning i skråninger. Ikke klipp altfor bratte skråninger.
11. Vær svært forsiktig når du rygger eller trekker gressklipperen mot deg.
12. Stans bladene hvis gressklipperen må skråstilles for transportering, ved kryssing av overflater som ikke er gress og under transportering av gressklipperen til og fra området der den skal brukes.
13. Ikke skråstill gressklipperen når motorene slås på, unntatt når gressklipperen må skråstilles for oppstart. I så fall må den ikke skråstilles mer enn absolutt nødvendig, og det er bare delen som er vendt bort fra brukeren som skal løftes. Forsikre deg alltid om at begge hendene er i arbeidsstilling før du setter gressklipperen tilbake på bakken.
14. Ikke plasser hender og føtter nær eller under roterende deler. Hold avstand fra avløpsåpningen til enhver tid.
15. Ikke transporter gressklipperen mens den er påslått.
16. Unngå å bruke gressklipperen på vått gress.
17. Aldri bruk gressklipperen i regn.
18. Hold alltid godt fast i håndtaket.
19. Ikke grip tak i skjæreblander eller skjærekanter når du plukker opp eller holder i gressklipperen.
20. Hold hender og føtter i god avstand fra de roterende bladene. Forsiktig - knivene fortsetter å rotere etter at gressklipperen er slått av.
21. Stans arbeidet umiddelbart dersom du noterer noe uvanlig. Slå av gressklipperen, og ta ut låsenøkkelen. Undersøk så gressklipperen.
22. Du må aldri justere kuttehøyden mens gressklipperen svinger hvis gressklipperen er utstyrt med funksjoner for justering av kuttehøyde.
23. Slipp startbryteren og vent til knivene slutter å rotere før du krysser oppkjørsler, stier, veier og alle grusbelagte områder. I tillegg må du ta ut låsenøkkelen hvis du forlater gressklipperen, skal plukke opp noe eller fjerne noe som ligger i veien, eller hvis noe av en eller annen grunn avleder deg fra det du holder på med.
24. Hvis gressklipperen slår mot et fremmedlegeme, følger du disse trinnene:
  - Stans gressklipperen, slipp startbryteren og vent til bladene stanser helt.
  - Ta ut låsenøkkelen og batteriet.
  - Undersøk gressklipperen nøye for skader.
  - Erstatt bladet om det på noen måte skulle være skadet. Reparer alle skader før ny oppstart og fortsatt bruk av gressklipperen.
25. Ikke start gressklipperen mens du står foran avløpsåpningen.
26. Hvis gressklipperen begynner å vibrere uvanlig mye (undersøk umiddelbart)
  - inspisér for skader,

- skift ut eller reparer enhver skadet del, - kontroller og stram enhver løs del.
- 27. Du må aldri rette materiale som kommer ut mot andre personer. Unngå å rette materiale som kommer ut mot en vegg eller hindring. Materiale kan bli slynget tilbake mot operatøren. Stopp kniven når du krysser grusunderlag.
- 28. Ikke dra gressklipperen bakover med mindre det er helt nødvendig. Når du er nødt til å rygge gressklipperen bort fra et gjerde eller lignende, ser du ned og bak deg før og mens du beveger deg bakover.
- 29. Slå av motoren, og vent til kniven stopper helt opp før du tar av gressfangeren. Vær oppmerksom på at knivene beveger seg selv om gressklipperen er slått av.

#### Vedlikehold og oppbevaring

1. Erstatt slitte og skadete deler for å trygge sikkerheten. Bruk kun originale reservedeler og tilbehør.
2. Kontroller og vedlikehold gressklipperen regelmessig.
3. Når gressklipperen ikke er i bruk, må den holdes utenfor barns rekkevidde.
4. Pass på at alle muttere, bolter og skruer sitter fast for å sikre at utstyret er i god stand.
5. Sjekk gresskurven ofte for slitasje eller skader. For oppbevaring må du alltid sørge for at gresskurven er tom. Av hensyn til sikkerhet må en slitt gresskurv alltid skiftes ut med en ny fabrikkprodusert gresskurv.
6. Bruk kun produsentens originale blader som spesifisert i denne bruksanvisningen.
7. Vær forsiktig under justering av gressklipperen slik at fingrene ikke befinner seg mellom roterende blader og gressklipperens faste deler.
8. Ikke vask med slange; unngå at det kommer vann inn i motoren og elektriske koblinger.
9. Kontroller hyppig at bladets festebolt sitter ordentlig fast.
10. La alltid gressklipperen avkjøles før den settes til oppbevaring.
11. Under service på bladene, vær oppmerksom på at selv om strømkilden er avslått, kan bladene fremdeles bevege seg.
12. Du må aldri fjerne eller klusse med sikkerhetsutstyr. Kontroller regelmessig at det fungerer som det skal. Du må aldri gjøre noe for å hindre den tiltenkte funksjonen til sikkerhetsutstyr eller for å redusere beskyttelsen som sikkerhetsutstyr gir.

#### Bruk og vedlikehold av batteridrevne maskiner

1. Batteriet må kun lades opp igjen med en lader spesifisert av produsenten. En lader som passer til én batteritype, kan være brannfarlig når den brukes med en annen batteritype.
2. Bruk elektroverktøy kun med spesifikt angitte batterier. Hvis det brukes et hvilket som helst annet batteri, kan dette utgjøre en fare for helse-skader og brann.

3. Når batteriet ikke er i bruk, må du holde verktøyet unna metallgjenstander som f.eks. binders, mynter, nøkler, spiker, skruer og andre små metallgjenstander som kan skape forbindelse mellom de to polene. Hvis batteripolene kortsluttes, kan du få brannskår, eller det kan begynne å brenne.
4. Hvis batteriet utsettes for hardhendt bruk, kan det lette væske fra batteriet. Unngå kontakt med væsken. Hvis du kommer i kontakt med batterivæsken, må du skylle med vann. Hvis du får batterivæske i øynene, må du i tillegg oppsøke lege. Væske som kommer ut av batteriet, kan forårsake irritasjon eller forbrenninger.
5. Ikke bruk et batteri eller verktøy som er skadet eller endret på. Batterier som er skadet eller endret på kan oppføre seg upålitelig og medføre brann, eksplosjon eller fare for personskader.
6. Et batteri eller verktøy må ikke utsettes for brann eller for høy temperatur. Brann eller en temperatur over 130 °C kan forårsake eksplosjon.
7. Følg alle ladeinstruksjoner, og ikke lad batteriet eller verktøyet utenfor temperaturområdet som er angitt i instruksjonene. Feil lading eller ved temperaturer utenfor det angitte området, kan skadet batteriet og øke faren for brann.

#### Elektrisk sikkerhet og batterisikkerhet

1. Ikke kast batteriet (batteriene) på åpen ild. Cellen kan eksplodere. Batterier skal leveres til en forhandler av elektroutstyr eller til et kommunalt avfallsmottak.
2. Ikke åpne eller ødelegg batteriet (batteriene). Elektrolytt som lekker ut er korroderende, og kan forårsake skader på øyne og hud. Den kan være giftig hvis den svelges.
3. Ikke skift batteri når det regner, eller i fuktige omgivelser.
4. Ikke lad batteriet utendørs.
5. Ikke håndter laderen, inkludert laderstøpselet og laderterminalene, med våte hender.

#### Service

1. La en kvalifisert reparatør utføre service på det elektriske verktøyet ditt, og se til at vedkommende kun bruker originale reservedeler. Dette vil opprettholde sikkerheten til det elektriske verktøyet.
2. Aldri foreta service på skadde batterier. Service på batterier skal kun utføres av produsenten eller godkjente serviceleverandører.

## TA VARE PÅ DISSE INSTRUKSENE.

**⚠ ADVARSEL:** IKKE LA hensynet til hva som er "behagelig" eller det faktum at du kjenner produktet godt (etter mange gangers bruk) gjøre deg mindre oppmerksom på sikkerhetsreglene for bruken av det aktuelle produktet.

Ved MISBRUK eller hvis ikke sikkerhetsreglene i denne bruksanvisningen følges, kan det oppstå alvorlig personskade.

## Viktige sikkerhetsanvisninger for batteriinnsetts

- Før du begynner å bruke batteriet, må du lese alle anvisninger og forsiktighetsregler på (1) batteriladeren, (2) batteriet og (3) det produktet batteriet skal brukes i.**
- Ikke demonter eller tukle batteriet.** Det kan føre til brann, overoppheting eller eksplosjon.
- Hvis driftstiden er blitt vesentlig kortere, må du omgående slutte å bruke maskinen.** Hvis ikke kan resultatet bli overoppheting, mulige forbrenninger eller til og med en eksplosjon.
- Hvis du får elektrolytt i øynene, må du skylle dem med store mengder rennende vann og oppsøke lege med én gang.** Denne typen uhell kan føre til varig blindhet.
- Ikke kortslett batteriet:**
  - De kan være ekstremt varme og du kan brenne deg.**
  - Ikke lagre batteriet i samme beholder som andre metallgjenstander, som for eksempel spiker, mynter osv.**
  - Ikke la batteriet komme i kontakt med vann eller regn.**

En kortslutning av batteriet kan føre til et kraftig strømstøt, overoppvarming, mulige forbrenninger og til og med til at batteriet går i stykker.
- Ikke oppbevar og bruk verktøyet og batteriet på steder hvor temperaturen kan komme opp i eller overskride 50 °C.**
- Ikke sett fyr på batteriet, ikke engang om det er sterkt skadet eller helt utslitt.** Batteriet kan eksplodere hvis det begynner å brenne.
- Du må ikke spikre, skjære, klemme, kaste eller miste batteriet, og heller ikke slå en hard gjenstand mot batteriet.** En slik oppførsel kan føre til brann, overoppheting eller eksplosjon.
- Ikke bruk batterier som er skadet.**
- Lithium-ion-batteriene som medfølger er gjenstand for krav om spesialavfall.**

For kommersiell transport, f.eks av tredjeparter eller speditorer, må spesielle krav om pakking og merking følges.

Før varen blir sendt, må du forhøre deg med en ekspert på farlig materiale. Ta også hensyn til muligheten for mer detaljerte nasjonale bestemmelser.

Bruk teip eller maskeringsteip for å skjule åpne kontakter og pakk inn batteriet på en slik måte at den ikke kan bevege seg rundt i emballasjen.
- Når du kasserer batteriinnsettsen, må du ta den ut av verktøyet og avhende den på et sikkert sted.** Følg lokale bestemmelser for avhending av batterier.
- Bruk batteriene kun med produkter spesifisert av Makita.** Montere batteriene i produkter som ikke er konforme kan føre til brann, overheting eller elektrolyttlekkasje.
- Hvis verktøyet ikke skal brukes over en lengre periode, må batteriet tas ut av verktøyet.**
- Under og etter bruk kan batteriet bli varmt og før til brannskader.** Vær forsiktig med håndteringen av varme batterier.

- Ikke berør terminalene på verktøyet rett etter bruk, da den kan bli varm og forårsake brannskader.**
- Ikke la spon, støv eller jord sette seg fast i terminalene, hullene og sporene i batteriet.** Det kan føre til dårlig ytelse eller at verktøyet eller batteriet slutter å fungere.
- Med mindre verktøyet støtter bruk nær en høyspent strømlinje, skal ikke batteriet brukes nær en høyspent strømlinje.** Det kan føre til en funksjonsfeil eller at verktøyet eller batteriet slutter å fungere.
- Oppbevar batteriet utilgjengelig for barn.**

## TA VARE PÅ DISSE INSTRUKSENE.

**⚠FORSIKTIG:** Bruk kun originale Makita-batterier. Bruk av batterier som har endret seg, eller som ikke er originale Makita-batterier, kan føre til at batteriet sprekker og forårsaker brann, personskader og andre skader. Det vil også ugyldiggjøre garantien for Makita-verktøyet og -laderen.

## Tips for å opprettholde maksimal batterilevetid

- Lad batteriinnsettsen før den er helt utladet.** Stopp alltid driften av verktøyet og lad batteriinnsettsen når du merker at effekten reduseres.
- Lad aldri en batteriinnsetts som er fulladet.** Overopplading forkorter batteriets levetid.
- Lad batteriet i romtemperatur ved 10 °C - 40 °C.** Et varmt batteri må kjøles ned før lading.
- Når batteriet ikke er bruk, skal det tas ut av verktøyet eller laderen.**
- Lad batteriet hvis det ikke har vært brukt på en lang stund (over seks måneder).**

## MONTERING

**⚠ADVARSEL:** Sørg alltid for at låsenøkkelen og batteriet er fjernet før det utføres noe arbeid på gressklipperen. Hvis ikke låsenøkkelen og batteriet fjernes, kan dette forårsake alvorlig personskade ved tilfeldig oppstart.

**⚠ADVARSEL:** Start aldri opp gressklipperen før det er fullstendig montert. Bruk av maskinen i en delvis montert tilstand, kan føre til alvorlig personskade som følge av utilsiktet oppstart.

## Montere batteridekselet

**⚠ADVARSEL:** Du må ikke sette inn låsenøkkelen og batteriet før du monterer batteridekselet. Hvis du ikke følger denne anbefalingen, kan det resultere i alvorlige helseskader.

Sett batteridekselet riktig på plass før bruk. Batteridekselet beskytter gressklipperen og batteriet mot gjørm, jord og vann.

1. Plasser batteridekselet med de utstikkende delene på gressklipperen rettet inn med hullene på batteridekselet.

► **Fig.1:** 1. Utstikkende deler 2. Hull 3. Batterideksel

2. Legg hendene på midten av batteridekselet, og trykk det ned.

► **Fig.2**

3. Før du tar verktøyet i bruk for første gang, må du kontrollere at dreiepunktet til batteridekselet er festet på riktig måte. Hvis batteridekselet er riktig montert, åpnes det ikke før du trekker i batteridekselets låsespak.

► **Fig.3:** 1. Dreiepunkt 2. Batteridekselets låsespak

## Montering av håndtaket

**OBS:** Ved montering av håndtak, plasser ledningene slik at de ikke blir sittende fast i noe mellom håndtakene. Hvis ledningen er skadet kan det hende at gressklipperbryteren ikke virker.

1. Skyv begge ender av det nederste håndtaket inn i sporene i gressklipperen og stram klemmeskruene godt.

► **Fig.4:** 1. Klemmeskrue 2. Nedre håndtak

2. Juster skruhellene på det øvre og nedre håndtaket. Fest dem med klemmeskruene og mutrene.

► **Fig.5:** 1. Låsemutter 2. Klemmeskrue

**MERK:** Holde det øverste håndtaket godt, slik at du ikke mister grepet.

3. Fest holderne til håndtaket. Plasser strømledningen som vist på bildet.

► **Fig.6:** 1. Holder

## Ta av utstyret for bioklipping

### Valgfritt tilbehør

1. Åpne bakdekselet.

► **Fig.7:** 1. Bakdekselet

2. Hold utstyret for bioklipping i håndtaket, og trekk det deretter ut fra gressklipperen som vist i figuren.

► **Fig.8:** 1. Utstyr for bioklipping 2. Håndtak

## Monter gresskurven

1. Åpne bakdekselet.

► **Fig.9:** 1. Bakdekselet

2. Hekt gresskurven på stangen på gressklipperen som vist i figuren.

► **Fig.10:** 1. Krok 2. Stang 3. Gresskurv

## Feste utstyret for bioklipping

### Valgfritt tilbehør

1. Åpne bakdekselet og fjern gresskurven.

► **Fig.11:** 1. Bakdekselet 2. Gresskurv

2. Hold utstyret for bioklipping i håndtaket, og fest det deretter til gressklipperen som vist i figuren.

► **Fig.12:** 1. Utstyr for bioklipping 2. Håndtak

# FUNKSJONS BESKRIVELSE

## Sette inn eller ta ut batteri

**⚠ FORSIKTIG:** Slå alltid av maskinen før du setter inn eller fjerner batteriet.

**⚠ FORSIKTIG:** Sørg for at du lukker batteriløket før bruk. Ellers kan søle, skitt eller vann påføre skader på produktet eller batteripatronen.

**⚠ FORSIKTIG:** Batteriet må alltid settes helt inn, så langt at den røde indikatoren ikke lenger er synlig. Hvis dette ikke gjøres, kan batteriet falle ut av maskinen og skade deg eller andre som oppholder seg i nærheten.

**⚠ FORSIKTIG:** Ikke bruk makt når du setter i batteriet. Hvis batteriet ikke gli lett inn, er det fordi det ikke settes inn på riktig måte.

**MERK:** Maskinen fungerer ikke med kun ett batteri.

## Installering av batteriet;

1. Skyv låsespaken til batteridekselet og åpne batteridekselet.

► **Fig.13:** 1. Batterideksel 2. Batteridekselets låsespak

2. Rett inn batterituppen mot hakket i gressklipperen, og skyv innsatsen til den låses på plass med et lite klikk.

► **Fig.14:** 1. Batteriinnsets

3. Sett inn låsenøkkelen på stedet vist på figuren, så langt den vil gå.

► **Fig.15:** 1. Låsenøkkel

4. Lukk batteridekselet og trykk på det inntil det låses sammen med låsespaken.

## Fjerning av batteriet fra gressklipperen;

1. Skyv låsespaken til batteridekselet og åpne batteridekselet.

2. Trekk batteriinnsetsen ut fra gressklipperen mens du skyver på knappen foran på batteriet og trekker det ut.

3. Trekk ut låsenøkkelen.

4. Lukk batteridekselet.

## Vernesystem for maskin/batteri

Maskinen er utstyrt med et vernesystem for maskin/ batteri. Dette systemet slår automatisk av strømmen til motoren for å forlenge maskinens og batteriets levetid. Maskinen stopper automatisk under drift hvis maskinen eller batteriet utsettes for en av følgende tilstander.

## Overlastsikring

Når maskinen brukes på en måte som gjør at den bruker unormalt mye strøm, vil maskinen stanse automatisk uten noen form for indikasjon. I denne situasjonen må du skru av maskinen og stanse bruken som forårsaket at maskinen ble overopphetet. Slå deretter maskinen på for å starte den igjen.



## Overopphetingsvern

Når maskinen blir overopphet, stanser maskinen automatisk. La maskinen kjøle seg ned før du slår på maskinen igjen.

## Overutladningsvern

Når batterikapasiteten blir lav, stanser maskinen automatisk. Hvis produktet ikke går selv om bryterne aktiveres, må du ta batteriene ut av maskinen og lade batteriene.

### Indikere gjenværende batterikapasitet

► Fig.16: 1. Batterianviser

Når gjenværende batterikapasitet blir lav, blinker batteriindikatoren på siden av gjeldende batteri. Ved fortsatt bruk, stopper maskinen, og batteriindikatoren blinker i cirka 10 sekunder. I så fall lader du batteriet.

### Indikere gjenværende batterikapasitet

#### Kun for batterier med indikatoren

► Fig.17: 1. Indikatorlamper 2. Kontrollknapp

Trykk på sjekk-knappen på batteriet for vise gjenværende batterikapasitet. Indikatorlampene lyser i et par sekunder.

Indikatorlamper			Gjenværende batterinivå
Tent	Av	Blinker	
			75 % til 100 %
			50 % til 75 %
			25 % til 50 %
			0 % til 25 %
			Lad batteriet.
			Batteriet kan ha en feil.

**MERK:** Det angitte nivået kan avvike noe fra den faktiske kapasiteten alt etter bruksforholdene og den omgivende temperaturen.

## Bryterfunksjon

**ADVARSEL:** Før du setter batteriet inn, må du alltid kontrollere at bryterspaken fungerer som den skal, og at den går tilbake til sin opprinnelige posisjon når du slipper den. Hvis du bruker maskinen med en bryter som ikke fungerer som den skal, kan du komme til å miste kontrollen, og det kan føre til alvorlig personskaade.

**MERK:** Gressklipperen starter ikke uten at bryterknappen trykkes på, selv hvis du trekker i bryterspaken.

**MERK:** Gressklipperen starter kanskje ikke på grunn av overlasten når du prøver å klippe langt eller tett gress i én økt. I slike tilfeller må du øke klippehøyden.

Denne gressklipperen er utstyrt med spørrebryter og håndtaksbryter. Hvis du noterer noe uvanlig med noen av disse bryterne, stans bruken umiddelbart og la dem bli inspisert av ditt nærmeste Makita autoriserte service-senter.

1. Sett inn batteriene. Sett låsenøkkelen inn i låsebryteren, og lukk batteridekselet.

► Fig.18: 1. Batteriinnsetts 2. Låsenøkkelen

2. Trykk på bryterknappen og hold den inne.

3. Grip det øvre håndtaket og trekk i bryterspaken.

► Fig.19: 1. Startknapp 2. Startspak

4. Slipp bryterknappen så snart motoren begynner å kjøre. Gressklipperen vil fortsette å kjøre til du slipper bryterspaken.

5. Slipp bryterspaken for å stanse motoren.

## Tilpasse klippehøyden

**ADVARSEL:** Plasser aldri hånd eller ben under gressklipperens hoveddel når du justerer klippehøyden.

**ADVARSEL:** Sørg alltid for at spaken passer ordentlig inn i fordypningen før bruk.

Klippehøyden kan justeres i området mellom 20 mm og 75 mm.

1. Ta ut låsenøkkelen.

2. Trekk justeringsspaken for klippehøyden fra gressklipperens hoveddel og beveg den til ønsket klippehøyde.

► Fig.20: 1. Justeringsspak for klippehøyde

**MERK:** Tallene for klippehøyde er kun ment å være veiledende. Avhengig av plenen eller bakken kan faktisk plen høyde variere litt fra den angitte høyden.

**MERK:** Gjør en prøveklipping på et mindre iøynefallende sted for å oppnå den høyden du ønsker.

## Indikator for gressnivå

► Fig.21: 1. Indikator for gressnivå

Indikatoren for gressnivå viser hvor mye gress som er klippet.

- Så lenge gresskurven ikke er full, flyter indikatoren når du klipper gresset.
- Når gresskurven er full, flyter ikke indikatoren når du klipper gresset. Når dette skjer, må du umiddelbart stoppe klippingen og tømme kurven. Når du tømmer kurven, må du rengjøre den, slik at luft slipper ut gjennom hullene.

**MERK:** Denne indikatoren er kun en veiledning. Avhengig av tilstanden inne i kurven, kan det hende at indikatoren ikke fungerer som den skal.

## Bruke utstyret for bioklipping

### Valgfritt tilbehør

Utstyret for bioklipping lar deg sende det klippede gresset til bakken uten å samle opp det klippede gresset i gresskurven. Når du bruker maskinen med utstyret for bioklipping, må du passe på å fjerne gresskurven.

**OBS:** Når du bruker maskinen med pluggen for bioklipping, må du kontrollere at gressets totale lengde etter klipping er 30 mm eller mer, og at skjærelengden er 15 mm eller mindre.

► Fig.22: (1) 30 mm eller mer (2) 15 mm eller mindre

## BRUK

### Klipping

**⚠ ADVARSEL:** Før klipping, rydd vekk pinner og steiner fra klippeområdet. I tillegg, rensk vekk ugress fra området på forhånd.

**⚠ ADVARSEL:** Bruk alltid vernebriller med sidevern under bruk av gressklipperen.

**⚠ FORSIKTIG:** Hvis det klippede gresset eller fremmedlegemer hopper seg opp inni gressklipperen, må du ta ut låsenøkkelen og batteriet samt ta på deg hansker før du fjerner gresset eller fremmedlegemer.

**OBS:** Denne maskinen skal kun brukes til plenklipping. Ikke klipp ugress med denne maskinen.

► Fig.23

Hold håndtaket fast med begge hender under klippingen.

Retningslinjen for klipperhastighet er omtrent 1 meter på 4 sekunder.

► Fig.24

De utvendige kantene på fronthjulene er veiledende for klippebredden. Bruk de utvendige kantene på fronthjulene som veiledere, og klipp i striper. Overlapp med halvdel til én tredel av den foregående stripen for å klippe plenen jevnt.

► Fig.25: 1. Klippebredde 2. Overlapping 3. Utvendig kant

Skift klipperetning hver gang for å unngå at mønsteret for gresstreretningen dannes bare i én retning.

► Fig.26

Du må regelmessig kontrollere gressnivået i gresskurven. Tøm ut gresset før den blir helt full. Før hver regelmessige kontroll, må du sørge for at du stanser gressklipperen og tar ut låsenøkkelen og batteriet.

**OBS:** Bruk av gressklipperen med gresskurven full, hindrer jevn rotering av kniven og legger en ekstra belastning på motoren, hvilket kan føre til at den bryter sammen.

## Klipping av plen med høyt gress

Ikke kutt vått gress eller løvverk på små trær. Det er bedre å klippe gresset i små trinn. La det gå en dag eller to mellom klippeøkter, til plenen blir jevnt kort.

**MERK:** Dersom gresset klippes kort i én økt, kan det føre til at gresset dør. Oppkuttet gress kan også blokkere insiden av gressklipperen.

## Tømming av gresskurven

**⚠ ADVARSEL:** For å redusere faren for ulykker, kontroller regelmessig gresskurven for skade eller redusert styrke. Skift om nødvendig ut gresskurven.

1. Slipp bryterspaken.
2. Ta ut låsenøkkelen.
3. Åpne bakdekselet, og ta ut gresskurven ved å holde i håndtaket.  
► Fig.27: 1. Bakdekselet 2. Håndtak
4. Tøm gresskurven.

## VEDLIKEHOLD

**⚠ ADVARSEL:** Sørg alltid for at låsenøkkelen og batteriet er tatt ut av gressklipperen før oppbevaring eller bæring av gressklipperen, eller forsøk på inspeksjon eller vedlikehold.

**⚠ ADVARSEL:** Du må alltid ta ut låsenøkkelen når gressklipperen ikke er i bruk. Oppbevar låsenøkkelen på et trygt sted, utilgjengelig for barn.

**⚠ ADVARSEL:** Bruk hansker når du utfører inspeksjon eller vedlikehold.

**⚠ ADVARSEL:** Bruk alltid sikkerhets- eller vernebriller med sidevern når du utfører inspeksjon eller vedlikehold.

**OBS:** Aldri bruk gasolin, bensin, tynner alkohol eller lignende. Det kan føre til misfarging, deformering eller sprekkdannelse.

For å opprettholde produktets SIKKERHET og PÅLITELIGHET, må reparasjoner, vedlikehold og justeringer utføres av autoriserte Makita servicesentre eller fabrikkerservicesentre, og det må alltid brukes reservedeler fra Makita.

## Vedlikehold

1. Ta ut låsenøkkelen. Oppbevar den på et trygt sted utenfor barns rekkevidde.
2. Rengjør gressklipperen kun med en våt klut. Ikke spray eller hell vann over gressklipperen under rengjøringen.
3. Legg gressklipperen over på siden og fjern klippet gress som har samlet seg på undersiden av gressklipperdekket.
4. Kontroller at alle muttere, bolter, knotter, skruer, fester osv. er ordentlig festet.
5. Kontroller bevegelige deler for skade, brudd og slitasje. Skadete og manglende deler skal repareres eller skiftes ut.

## Lagring

**⚠ ADVARSEL:** Når gressklipperen bæres eller oppbevares, hold ikke i de sammenfoldede håndtakene, men i gressklipperens fronthåndtak. Hvis den holdes etter de sammenfoldede håndtakene, kan dette forårsake alvorlig helseskade eller skade gressklipperen.

Før gressklipperen settes til oppbevaring, må du ta ut batteriet og låsenøkkelen.

Oppbevar gressklipperen innendørs på et kjølig, tørt og låst sted. Ikke oppbevar gressklipperen og laderen på steder hvor temperaturen kan komme opp i eller overskride 40 °C.

► **Fig.28:** 1. Fronthåndtak 2. Bakre håndtak

1. Løsne klemmeskruene og trekk det nedre håndtaket ut til sidene. Skyv håndtaket ned og frem. Når du gjør dette, hold godt fast i det nedre håndtaket slik at det ikke faller ned på den andre siden av gressklipperen.

► **Fig.29:** 1. Klemmeskrue 2. Nedre håndtak

2. Løsne klemmeskruene og dreii det øverste håndtaket bakover, samtidig som du trekker ut til begge sider.

► **Fig.30:** 1. Låsemutter 2. Øvre håndtak

3. Oppbevar gresskurven mellom håndtaket og gressklippermaskinen.

► **Fig.31:** 1. Gresskurv

**MERK:** Når gressklipperen settes i oppreist stilling, hold ikke i håndtaket, men bruk gressklipperens fronthåndtak.

## Demontere eller montere gressklipperkniven

**⚠ ADVARSEL:** Ta alltid ut låsenøkkelen og batteriet når bladet skal fjernes eller monteres. Hvis låsenøkkelen og batteriet ikke fjernes, kan dette forårsake alvorlig personskade.

**⚠ ADVARSEL:** Bladet roterer i noen få sekunder etter at bryteren er sluppet. Ikke start noen form for arbeid før kniven har stanset helt.

**⚠ ADVARSEL:** Når du håndterer bladet, bruk alltid hansker.

## Ta ut gressklipperkniven

### For DLM382

1. Legg gressklipperen over på siden slik at justeringsspaken for klippehøyde kommer opp til den øverste siden.

2. Lås knivrotasjonen ved å føre en skrutrekker eller liknende verktøy inn i et hull på gressklipperen.

3. Skru boltene mot urviseren med en skrunøkkel.

► **Fig.32:** 1. Gressklipperkniv 2. Skrutrekker 3. Fastnøkkel

4. Fjern boltene og kniven etter hverandre.

► **Fig.33:** 1. Knivholder 2. Gressklipperkniv 3. Bolt

## For DLM432

1. Legg gressklipperen over på siden slik at justeringsspaken for klippehøyde kommer opp til den øverste siden.

2. Lås knivrotasjonen ved å føre en skrutrekker eller liknende verktøy inn i et hull på gressklipperen.

3. Skru boltene mot urviseren med en skrunøkkel.

► **Fig.34:** 1. Gressklipperkniv 2. Skrutrekker 3. Fastnøkkel

4. Fjern boltene, den ytre flensen, gressklipperkniven og den innvendige flensen i rekkefølge.

► **Fig.35:** 1. Indre flens 2. Gressklipperkniv 3. Ytre flens 4. Bolt

## Montere gressklipperkniven

Monter gressklipperkniven ved å følge fremgangsmåten for demontering i motsatt rekkefølge.

**⚠ ADVARSEL:** Sett gressklipperkniven forsiktig inn. Den har en over- og underside. Plasser kniven slik at knivsidene med rotasjonsretningsspilene vises utover.

**⚠ ADVARSEL:** Stram til boltene med urviseren for å feste bladet.

**⚠ ADVARSEL:** Sørg for at gressklipperkniven og alle festedelenes er riktig montert og godt strammet.

**⚠ ADVARSEL:** Når du skifter ut bladene, skal du alltid følge anvisningene i denne håndboken.

# FEILSØKING

Inspiser utstyret selv før du bestiller reparasjon. Ikke prøv å demontere verktøyet hvis du finner et problem som ikke er forklart i brukerveiledningen. I stedet bør du ta kontakt med et av Makitas autoriserte servicesentre, som alltid bruker reservedeler fra Makita til reparasjoner.

Unormal tilstand	Sannsynlig årsak (feil)	Løsning
Gressklipperen starter ikke.	De to batteriinnsatsene er ikke satt inn.	Sett inn de oppladede batteriinnsatsene.
	Batterierproblemer (med spenning)	Lad batteriet. Hvis ladingen ikke virker, skal batteriet skiftes ut.
	Låsenøkkelen er ikke satt inn.	Sett inn låsenøkkelen.
Motoren slutter å gå etter kort tids bruk.	Batteriets ladenivå er lavt.	Lad batteriet. Hvis ladingen ikke virker, skal batteriet skiftes ut.
	Klippehøyden er for lav.	Øk klippehøyden.
Motoren når ikke maksimalt antall omdreininger per minutt.	Batteriet er riktig satt inn.	Sett inn batteriet som beskrevet i denne håndboken.
	Batterieffekten minsker.	Lad batteriet. Hvis ladingen ikke virker, skal batteriet skiftes ut.
	Drivsystemet virker ikke slik det skal.	Kontakt ditt nærmeste autoriserte servicesenter hvis det oppstår behov for reparasjon.
Gressklipperkniven roterer ikke: ⇒ stans gressklipperen umiddelbart!	Fremmedlegemer, for eksempel grener, har satt seg fast nære kniven.	Fjern fremmedlegemet.
	Drivsystemet virker ikke slik det skal.	Kontakt ditt nærmeste autoriserte servicesenter hvis det oppstår behov for reparasjon.
Unormale vibrasjoner: ⇒ stans gressklipperen umiddelbart!	Kniven er i ubalanse, for slitt eller ujevnt slitt.	Skift ut kniven.

## VALGFRITT TILBEHØR

**⚠FORSIKTIG:** Det anbefales at du bruker dette tilbehøret eller verktøyet sammen med den Makita-maskinen som er spesifisert i denne håndboken. Bruk av annet tilbehør eller verktøy kan forårsake personskader. Tilbehør og verktøy må kun brukes til det formålet det er beregnet på.

Ta kontakt med ditt lokale Makita-servicesenter hvis du trenger mer informasjon om dette tilbehøret.

- Gressklipperkniv
- Utstyr for bioklipping
- Makita originalbatteri og lader

**MERK:** Enkelte elementer i listen kan være inkludert som standardtilbehør i verktøypakken. Elementene kan variere fra land til land.

## TEKNISET TIEDOT

Malli:	DLM382	DLM432	
Leikkuleveys (terän halkaisija)	380 mm	430 mm	
Kuormittamaton kierrosnopeus	3 700 min <sup>-1</sup>	3 600 min <sup>-1</sup>	
Ruohonleikkurin vaihtoterän osanumero	191D41-2	191D43-8	
Mitat (P x L x K)	toiminnan aikana	P: 1 380 mm – 1 410 mm L: 450 mm K: 985 mm – 1 005 mm	P: 1 435 mm – 1 490 mm L: 460 mm K: 1 005 mm – 1 045 mm
	varastoitaessa (ilman ruohosäiliötä)	860 mm x 450 mm x 475 mm	865 mm x 460 mm x 475 mm
Nimellisjännite	DC 36 V		
Nettopaino	15,0 – 16,5 kg	15,4 – 17,1 kg	

- Jatkuvasta tutkimus- ja kehitystyöstämme johtuen esitetyt tekniset tiedot saattavat muuttua ilman erillistä ilmoitusta.
- Tekniset tiedot voivat vaihdella maittain.
- Paino voi olla erilainen lisävarusteista sekä akusta johtuen. EPTA-menetellytavan 01/2014 mukaisesti, taulukossa on kuvattu kevyin ja painavin laiteyhdistelmä.

## Käytettävä akkupaketti ja laturi

Akkupaketti	BL1815N / BL1820 / BL1820B / BL1830 / BL1830B / BL1840 / BL1840B / BL1850 / BL1850B / BL1860B
Laturi	DC18RC / DC18RD / DC18RE / DC18SD / DC18SE / DC18SF / DC18SH






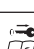
- Tiettyjä yläpuolella kuvattuja akkuja ja latureita ei ehkä ole saatavana asuinalueestasi johtuen.

**VAROITUS:** Käytä vain edellä eriteltyjä akkupaketteja ja latureita. Muiden akkupakettien ja laturien käyttäminen voi aiheuttaa loukkaantumisen ja/tai tulipalon.

**VAROITUS:** Älä käytä koneen kanssa johdollista virtälähdettä, kuten akkusoivinta tai kannettavaa tehoyksikköä. Tällaisen virtälähteen johto voi haitata käyttöä ja aiheuttaa henkilövahingon.

## Symbolit

Laitteessa on mahdollisesti käytetty seuraavia symboleja. Opettele niiden merkitys ennen käyttöä.

	Noudata erityistä varovaisuutta ja kiinnitä huomiota.
	Lue käyttöohje.
	Vaara; varo sinkoutuvia kappaleita.
	Sivullisten henkilöiden etäisyyden työkalusta on oltava vähintään 15 m.
	Pidä kätesi ja jalkasi kaukana ruohonleikkurin alla olevasta terästä. Terät jatkavat pyörimistä moottorin sammuttamisen jälkeen.
	Irrota lukitusavain ennen ruohonleikkurin tarkistamista, säätämistä, puhdistamista, huoltamista tai asettamista säilöön.



Ni-MH  
Li-ion

Koskee vain EU-maita  
Älä hävitä sähkölaitteita tai akkuja tavallisen kotitalousjätteen mukana!  
Sähkö- ja elektroniikkalaiteromua koskevan EU-direktiivin ja paristoja ja akkuja sekä käytettyjä paristoja ja akkuja koskevan direktiivin ja niiden maakohtaisten sovellusten mukaisesti käytetyt sähkölaitteet ja akut on toimitettava ongelmajätteen keräyspisteeseen ja ohjattava ympäristöystävälliseen kierrätykseen.

## Käyttötarkoitus

Kone on tarkoitettu ruohonleikkuuseen.

## Melutaso

Tyypillinen A-painotettu melutaso määräytyy standardin EN60335-2-77 mukaan:

### Malli DLM382

Äänenpainetaso ( $L_{pA}$ ) : 81 dB (A)  
Äänen voiman taso ( $L_{WA}$ ) : 91 dB (A)  
Virhemarginaali (K): 3 dB (A)

### Malli DLM432

Äänenpainetaso ( $L_{pA}$ ) : 81 dB (A)  
Äänen voiman taso ( $L_{WA}$ ) : 92 dB (A)  
Virhemarginaali (K): 3 dB (A)

**HUOMAA:** Ilmoitetut melutasoarvot on mitattu standarditestausmenetelmän mukaisesti ja niiden avulla voidaan vertailla työkaluja keskenään.

**HUOMAA:** Ilmoitettuja melutasoarvoja voidaan käyttää myös altistumisen alustavaan arviointiin.

**VAROITUS:** Käytä kuulosuojaimia.

**VAROITUS:** Sähkötyökalun käytön aikana mitattu melutasoarvo voi poiketa ilmoitetuista arvoista laitteen käyttötavan ja erityisesti käsiteltävän työkalupaleen mukaan.

**VAROITUS:** Selvitä käyttäjän suojaamiseksi tarvittavat varoimet todellisissa käyttöolosuhteissa tapahtuvan arvioitun altistumisen mukaisesti (ottaen huomioon käyttöjaksoko-konaaisuudessaan, myös jaksot, joiden aikana laite on sammutettuna tai käy tyhjäkäynnillä).

## Tärinä

Kokonaistärinä (kolmen akselin vektorien summa) määräytyy standardin EN60335-2-77 mukaan:

### Malli DLM382

Tärinäpäästö ( $a_n$ ) : 2,5 m/s<sup>2</sup> tai alhaisempi  
Virhemarginaali (K): 2,0 m/s<sup>2</sup>

### Malli DLM432

Tärinäpäästö ( $a_n$ ) : 2,5 m/s<sup>2</sup> tai alhaisempi  
Virhemarginaali (K): 1,5 m/s<sup>2</sup>

**HUOMAA:** Ilmoitetut kokonaistärinäarvot on mitattu standarditestausmenetelmän mukaisesti ja niiden avulla voidaan vertailla työkaluja keskenään.

**HUOMAA:** Ilmoitettuja kokonaistärinäarvoja voidaan käyttää myös altistumisen alustavaan arviointiin.

**VAROITUS:** Sähkötyökalun käytön aikana mitattu todellinen tärinäpäästöarvo voi poiketa ilmoitetuista arvoista laitteen käyttötavan ja erityisesti käsiteltävän työkalupaleen mukaan.

**VAROITUS:** Selvitä käyttäjän suojaamiseksi tarvittavat varoimet todellisissa käyttöolosuhteissa tapahtuvan arvioitun altistumisen mukaisesti (ottaen huomioon käyttöjakso kokonaaisuudessaan, myös jaksot, joiden aikana laite on sammutettuna tai käy tyhjäkäynnillä).

## EY-vaatimustenmukaisuusvakuutus

*Koskee vain Euroopan maita*

EY-vaatimustenmukaisuusvakuutus on liitetty tähän käyttöoppaaseen.

## TURVAVAROITUKSET

### TÄRKEITÄ TURVAOHJEITA

**VAROITUS:** Lue huolellisesti kaikki turvallisuusvaroitukset ja käyttöohjeet. Jos varoitusten ja ohjeiden noudattaminen laiminlyödään, seurauksena voi olla sähköisku, tulipalo ja/tai vakava vammautuminen.

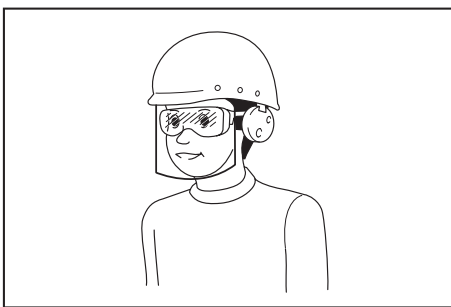
## Säilytä varoitukset ja ohjeet tulevaa käyttöä varten.

### Koulutus

1. Lue ohjeet huolellisesti. Perehdy ruohonleikkurin säätimiin ja asianmukaiseen käyttöön.
2. Älä anna lasten tai näihin ohjeisiin perehtymätömien henkilöiden käyttää ruohonleikkuria. Paikalliset määräykset voivat rajoittaa käyttäjän ikää.
3. Ruohonleikkuria ei saa koskaan käyttää, kun lähistöllä on muita henkilöitä, etenkin lapsia, tai lemmikkieläimiä.
4. Muista, että käyttäjä vastaa tapaturmista tai vahingoista, jotka hän aiheuttaa muille ihmisille tai heidän omaisuudelleen.
5. Lapsia tulee valvoa ja varmistaa etteivät he pääse leikkimään ruohonleikkurilla.
6. Fyysinen kunto - älä käytä ruohonleikkuria huumausaineiden, alkoholin tai lääkityksen alaisena.

### Valmistelu

1. Käytä ruohonleikkuria käyttäessäsi aina tukevia jalkineita ja pitkiä housuja. Älä käytä ruohonleikkuria paljain jaloin tai avosandaalit jalassa. Älä käytä vaatteita tai koruja, jotka ovat väljiä tai joissa on irrallisia nauhoja tai ketjuja. Ne voivat tarttua laitteen liikkuviin osiin.
2. Tarkasta ennen käyttöä silmämääräisesti, ettei ruohonleikkurissa näy merkkejä vaurioista ja ettei siitä puutu suojuksia tai kilpiä tai ettei niitä ole asennettu väärin.
3. Varmista ennen ruohonleikkuun aloittamista, ettei alueella ole muita ihmisiä. Lopeta ruohonleikkurin käyttö, jos työskentelyalueelle tulee muita.
4. Aseta lukitusavain ruohonleikkuriin vasta, kun leikkuri on käyttövalmis.
5. Käytä aina suojalaseja silmiesi suojaamiseksi tapaturmia vastaan sähkökäyttöisten laitteiden käytön aikana. Suojalasien täytyy noudattaa ANSI Z87.1 Yhdysvalloissa, EN 166 Euroopassa tai AS/NZS 1336 Australiassa / Uudessa Seelannissa olevia vaatimuksia. Australiassa / Uudessa Seelannissa on lainmukaisesti pakollista käyttää kasvosuojaimia myös kasvojen suojaamiseksi.



Työnantajien velvollisuuksiin kuuluu varmistaa, että laitteen käyttäjät ja työpaikan välittömässä läheisyydessä olevat muut sivulliset henkilöt käyttävät asianmukaisia henkilönsuojaimia.

6. Tarkista ennen työskentelyn aloittamista, ettei terissä tai terien pulteissa ole halkeamia tai muita vikoja. Vaihda halkeilleet tai muuten vahingoittuneet terät tai terien pultit heti uusiin.
7. Poista työskentelyalueelta vieraat esineet, kuten kivet, langat ja köydet, pullot, luut ja suuret kepit, välttääksesi henkilövahingot tai ruohonleikkurin vahingot.
8. Ruohonleikkurin terien sinkoamat esineet voivat aiheuttaa vakavia henkilövahinkoja. Ennen jokaista leikkuukertaa nurmikko on tutkittava huolellisesti ja ylimääräiset esineet on poistettava alueelta.
9. Varo koloja, vakoja, töyssyjä, kiviä ja muita näkymättömissä olevia esineitä. Epätasainen maasto lisää liukastumisesta ja kaatumisesta johtuvien tapaturmien riskiä. Pitkä nurmi voi peittää esteet näkyvistä.

#### Käyttö

1. Älä ylikurkottele. Säilytä tasapainosi koko työskentelyn ajan. Varmista aina tukeva jalkasija rinteessä työskennellessäsi. Kävele, älä koskaan juokse.
  2. Sammuta ruohonleikkuri, poista lukitusavain ja varmista, että kaikki liikkuvat osat ovat täysin pysähtyneet:
    - aina poistuessasi ruohonleikkurin luota,
    - ennen tukkeumien selvittämistä tai kourun puhdistamista,
    - ennen ruohonleikkurin tarkastamista, puhdistamista tai kunnossapitoa,
    - laitteen osuttua vieraaseen esineeseen.Tarkasta ruohonleikkuri vaurioiden varalta ja korjaa mahdolliset viat, ennen kuin käynnistät sen uudelleen,
    - aina, kun ruohonleikkuri alkaa täristä epänormaalisti.
  3. Älä koskaan käytä ruohonleikkuria, jos suojukset tai kivet ovat vioittuneet tai turvalaitteet, esimerkiksi kivisuojat ja/tai ruohosäiliö, eivät ole paikallaan.
  4. Vältä käyttämästä ruohonleikkuria huonoissa sääolosuhteissa, varsinkin ukkosella salamaiskun vaaran takia.
5. Käytä ruohonleikkuria käyttäessäsä aina suojalaseja ja kestäviä jalkineita.
  6. Käytä ruohonleikkuria vain päivänvalossa tai kirkaassa keinovalossa.
  7. Käynnistä moottori varovaisuutta noudattaen ja ohjeiden mukaisesti ja pidä jalkasi poissa terän (terien) ulottuvilta.
  8. Varo, etteivät ruohonleikkurin terät vahingoita jalkojasi tai käsiäsi.
  9. Varmista aina, että ilmanvaihtoaukot ovat puhtaana liasta ja pölystä.
  10. Leikkaa nurmikko rinteessä aina poikittaisuuntaan, älä koskaan ylös ja alas. Ole erityisen varovainen vaihtaessasi suuntaa rinteessä. Älä leikkaa nurmikkoa liian jyrkissä rinteissä.
  11. Ole erityisen varovainen, kun peruutat ruohonleikkuria tai vedät sitä itseäsi kohti.
  12. Pysäytä terät, jos ruohonleikkuria on tarpeen kallistaa ruohottomia alueita ylittettäessä, sekä silloin, kun siirät sitä leikattavalle nurmi-alueelle ja takaisin.
  13. Älä kallista ruohonleikkuria moottorin käynnistyksen aikana, ellei se ole käynnistyksen kannalta välttämätöntä. Jos kallistaminen on välttämätöntä, kallista laitetta mahdollisimman vähän ja kohota vain käyttäjään nähden kauimpana olevaa puolta. Varmista aina, että molemmat kätesi ovat käyttöasennossa, ennen kuin lasket ruohonleikkurin maahan.
  14. Älä aseta käsiäsi tai jalkojasi pyörivien osien alle tai lähelle. Pidä poistoaukko aina esteettömänä jäämistä.
  15. Älä kuljeta ruohonleikkuria sen ollessa käynnissä.
  16. Vältä ruohonleikkurin käyttämistä märällä nurmikolla.
  17. Älä koskaan käytä ruohonleikkuria sateella.
  18. Pidä aina tukevasti kiinni kahvasta.
  19. Älä tartu leikkuuteriin tai leikkaaviin reunoihin, kun nostat tai kannattelet ruohonleikkuria.
  20. Pidä jalkasi ja kätesi kaukana pyörivistä teristä. Varoitus - terät pyörivät vielä sen jälkeen kun leikkuri on kytketty pois päältä.
  21. Lopeta käyttö heti, jos havaitset jotakin epätavallista. Sammuta ruohonleikkuri ja poista lukitusavain. Tarkista sitten ruohonleikkuri.
  22. Jos ruohonleikkurissa on leikkuukorkeuden säätömahdollisuus, älä koskaan yritä säätää leikkuukorkeutta, kun ruohonleikkuri on käynnissä.
  23. Vapauta kytkinvipu ja anna terien pysähtyä ennen ajo- ja kävelyreittien, yleisten teiden tai sorapintaisten alueiden ylittämistä. Poista lukitusavain, jos poistut ruohonleikkurin luota, kurotut nostamaan jotakin tai ottamaan jotakin pois tieltä tai teet muuta, joka voi jostain syystä siirtää huomiosi pois laitteen käytöstä.
  24. Jos ruohonleikkuri osuu vieraaseen esineeseen, toimi seuraavasti:
    - Pysäytä ruohonleikkuri, vapauta kytkinvipu ja odota, että terä pysähtyy täysin.
    - Poista lukitusavain ja irrota akkupaketti.
    - Tarkista ruohonleikkuri huolellisesti vaurioiden varalta.

- Vaihda terä, jos se on jotenkin vaurioitunut. Korjaa mahdolliset vahingot ennen ruohonleikkurin uudelleen käynnistämistä ja toiminnan jatkamista.

25. Älä käynnistä ruohonleikkuria seisossasi poistoaukon edessä.
26. Jos ruohonleikkuri alkaa täristä epänormaalisti (utki syy heti)
  - Tarkasta vauriot,
  - Vaihda tai korjaa vaurioituneet osat,
  - Tarkasta ja kiristä löystyneet osat.
27. Älä koskaan suuntaa ulos lentävää materiaalia ihmisiä kohti. Vältä ulos lentävän materiaalin suuntaamista seinää tai muuta estettä kohti. Materiaali voi tällöin kimmota takaisin käyttäjää kohti. Pysäytä terä, kun ylität sorapintoja.
28. Älä vedä ruohonleikkuria taaksepäin ellei se ole täysin välttämätöntä. Jos ruohonleikkuria on vedettävä taaksepäin aidan tai muun vastaavan esteen ohittamiseksi, katso taaksesi ja alas ennen kuin aloitat liikkuu taaksepäin.
29. Sammuta moottori ja odota, että terä pysähtyy täysin, ennen kuin irrotat ruohonkerääjän. Pidä mielessä, että terät pyörivät hetken vapaasti sammuttamisen jälkeen.

#### Kunnossapito ja säilytys

1. Vaihda kuluneet tai voittuneet osat turvallisuusyistä. Käytä vain aitoja varaosia ja tarvikkeita.
2. Tarkasta ja huolla ruohonleikkuri säännöllisesti.
3. Kun et käytä ruohonleikkuria, säilytä se lasten ulottumattomissa.
4. Varmista laitteen käyttöturvallinen kunto tarkistamalla, että kaikki mutterit, pultit ja ruuvit ovat tiukasti kiinni.
5. Tarkista säännöllisesti, ettei ruohosäiliössä ole kulumia tai murtumia. Tarkista ennen laitteen asettamista säiliöön, että ruohosäiliö on tyhjä. Kulunut ruohosäiliö on turvallisuusyistä korvattava tehdasuudella.
6. Käytä vain valmistajan tässä ohjeessa ilmoittamia teriä.
7. Varo laitteen säätämisen aikana, etteivät sormesi jää pyörivien terien ja ruohonleikkurin kiinteiden osien väliin.
8. Älä pese letkulla, vältä moottorin ja sähköliitäntöjen altistamista vedelle.
9. Tarkista säännöllisesti, että terän kiinnityspultit ovat riittävän kireällä.
10. Anna ruohonleikkurin jäähtyä, ennen kuin siirrät sen varastoon.
11. Kun huollat teriä, muista, että vaikka virta on katkaistu, terät voivat silti liikkua.
12. Älä koskaan poista tai peukaloi turvalaitteita. Tarkista säännöllisesti, että ne toimivat oikein. Älä koskaan yritä vaikuttaa turvalaitteiden tarkoituksenmukaiseen toimintaan tai heikentää turvalaitteen toimivuutta.

#### Akkukäyttöisen työkalun käyttö ja hoito

1. Lataa akkua vain valmistajan määrittämällä laturilla. Tietylle akkupaketille sopiva laturi voi aiheuttaa tulipalovaaran, jos sitä käytetään muuntyyppisen akkupaketin yhteydessä.

2. Käytä sähkötyökaluja vain määritysten mukaisten akkujen kanssa. Muuntyyppisten akkujen käyttäminen voi aiheuttaa loukkaantumista tai tulipalovaaran.
3. Kun akku ei ole käytössä, säilytä se erillään metalliesineistä, kuten paperiliittimistä, kolikoista, avaimista, nauloista, ruuveista ja muista pienistä metalliesineistä, jotka voivat yhdistää akun navat. Akun napojen oikosulkeminen voi aiheuttaa palovamman tai tulipalon.
4. Akusta voi vuotaa nestettä, jos sitä käsitellään väärin. Vältä kosketusta. Jos nestettä pääsee iholle vahingossa, huuhtele iho vedellä. Jos nestettä pääsee silmiin, hakeudu lääkärin hoitoon. Ulos purkautunut akkuneve voi ärsyttää ihoa tai aiheuttaa palovammoja.
5. Älä käytä viallista tai muunneltua akkua tai työkalua. Vialliset tai muunnellut akut voivat toimia odottamattomasti aiheuttamalla tulipalo-, räjähdys- tai tapaturmavaaran.
6. Älä altista akkua tai työkalua tulelle tai äärimmäisille lämpötiloille. Altistus tulelle tai yli 130 °C lämpötiloille voi aiheuttaa räjähdyksen.
7. Noudata kaikkia latausohjeita, äläkä lataa akkua tai työkalua ohjeissa määritettyjen lämpötilarajojen ulkopuolella. Väärin tai ohjeissa määritettyjen lämpötilarajojen ulkopuolella suoritettu lataus voi aiheuttaa akkuvaurion ja kasvattaa tapaturmavaaraa.

#### Sähköturvallisuus ja akku

1. Älä hävitä akkuja polttamalla. Akkukenko voi räjähtää. Tarkista, onko paikallisissa määräyksissä erityisiä laitteita koskevia hävitysohjeita.
2. Älä avaa tai riko akkuja. Akusta mahdollisesti vuotava elektrolyytti on syövyttävää ja saattaa vaurioittaa ihoa tai silmiä. Se saattaa olla myrkyllistä nieltynä.
3. Älä lataa akkua sateessa tai kosteissa olosuhteissa.
4. Älä lataa akkua ulkona.
5. Älä käsittele laturia tai sen liitinosaa ja latausliittimiä märin käsin.

#### Huolto

1. Anna pätevän korjaajan huoltaa sähkötyökalusi käyttäen vain identtisiä varaosia. Näin varmistetaan, että sähkötyökalun turvallisuus säilyy.
2. Älä koskaan huolla viallisia akkuja. Akkujen huolto on suoritettava ainoastaan valmistajan tai valtuutetun huoltoliikkeen toimesta.

## SÄILYTÄ NÄMÄ OHJEET.

**VAROITUS:** ÄLÄ anna työkalun helppokäyttöisyyden (toistuvan käytön aikaansaama) johtaa sinua väärään turvallisuuden tunteeseen niin, että laiminlyöt työkalun turvaohjeiden noudattamisen. **VÄÄRINKÄYTTÖ** tai tässä käyttöohjeessa ilmoitettujen turvamääräysten laiminlyönti voi aiheuttaa vakavia henkilövahinkoja.



## Akkupaketin koskevia tärkeitä turvaohjeita

- Ennen akun käyttöönottoa tutustu kaikkiin laturissa (1), akussa (2) ja akkukäyttöisessä tuotteessa (3) oleviin varoitusteksteihin.
- Älä pura tai peukaloi imuria akkupakettia. Se voi johtaa tulipaloon, ylikuumentumiseen tai räjähdykseen.
- Jos akun toiminta-aika lyhenee merkittävästi, lopeta akun käyttö. Seurauksena voi olla ylikuumentuminen, palovammoja tai jopa räjähdys.
- Jos akkuneustettua pääsee silmiin, huuhtelee puhtaalla vedellä ja hakeudu välittömästi lääkärin hoitoon. Akkuneuste voi aiheuttaa näön menetyksen.
- Älä oikosulje akkua.
  - Älä koske akun napoihin millään sähköä johtavalla materiaalilla.
  - Vältä akun oikosulkemista äläkä säilytä akkua yhdessä muiden metalliesineiden, kuten naulojen, kolikoiden ja niin edelleen kanssa.
  - Älä aseta akkua alttiiksi vedelle tai sateelle.Oikosulku voi aiheuttaa virtapiikin, ylikuumentumista, palovammoja tai laitteen rikkoutumisen.
- Älä säilytä ja käytä työkalua ja akkupakettia paikassa, jossa lämpötila voi nousta 50 °C:een (122 °F) tai korkeammaksi.
- Älä hävitä akkua polttamalla, vaikka se olisi pahoin vaurioitunut tai täysin loppuun kulunut. Avotuli voi aiheuttaa akun räjähtämisen.
- Älä naulaa, leikkaa, purista, heitä tai pudota akkupakettia tai iske sitä kovia esineitä vasten. Tällaiset toimet voivat johtaa tulipaloon, ylikuumentumiseen tai räjähdykseen.
- Älä käytä viallista akkua.
- Sisältyviä litium-ioni-akkuja koskevat vaarallisten aineiden lainsäädännön vaatimukset. Esimerkiksi kolmansien osapuolten huolintaliikkeiden tulee kaupallisissa kuljetuksissa noudattaa pakkaamista ja merkintöjä koskevia erityisvaatimuksia. Lähetettävän tuotteen valmistelu edellyttää vaarallisten aineiden asiantuntijan neuvontaa. Huomioi myös mahdollisesti yksityiskohtaisemmat kansalliset määräykset Akun avoimet liittimet tulee suojata teipillä tai suojuksella ja pakkaaminen tulee tehdä niin, ettei akku voi liikkua pakkauksessa.
- Kun akkupaketti on hävitettävä, poista se laitteesta ja hävitä se turvallisesti. Hävitä akku paikallisten määräysten mukaisesti.
- Käytä akkuja vain Makitan ilmoittamien tuotteiden kanssa. Akkujen asentaminen yhteensopimattomiin tuotteisiin voi aiheuttaa tulipalon, liiallisen ylikuumentumisen, räjähdyksen tai akkuneustevuotoja.
- Jos laitetta ei käytetä pitkään aikaan, akku on poistettava laitteesta.
- Akkupaketin lämpötila voi käytön aikana ja sen jälkeen nousta niin kuumaksi, että se voi aiheuttaa palovammoja tai lieviä palovammoja. Käsittele kuumia akkupaketteja huolellisesti.

- Älä kosketa työkalun liittimiä välittömästi käytön jälkeen, sillä se voi olla riittävän kuumia aiheuttamaan palovammoja.
- Älä päästä lastuja, pölyä tai maata akkupaketin liittimiin, aukkoihin ja uriin. Se voi heikentää työkalun tai akkupaketin suorituskykyä tai johtaa niiden rikkoutumiseen.
- Ellei työkalu tue käyttöä korkeajännitelinjojen lähellä, älä käytä akkupakettia korkeajännitelinjojen lähellä. Se voi johtaa työkalun tai akkupaketin toimintahäiriöön tai rikkoutumiseen.
- Pidä akku poissa lasten ulottuvilta.

## SÄILYTÄ NÄMÄ OHJEET.

**⚠️HUOMIO:** Käytä vain alkuperäisiä Makita-akkuja. Muiden kuin aitojen Makita-akkujen, tai mahdollisesti muutettujen akkujen käyttö voi johtaa akun murtumiseen ja aiheuttaa tulipaloja, henkilö- ja omaisuusvahinkoja. Se mitätöi myös Makita-tökalun ja -laturin Makita-takuun.

## Vihjeitä akun käyttöänsä pidentämiseksi

- Lataa akku ennen kuin se purkautuu täysin. Lopeta aina työkalun käyttö ja lataa akku, jos huomaat työkalun tehon vähenevän.
- Älä koskaan lataa uudestaan täysin ladattua akkua. Ylilataaminen lyhentää akun käyttöikää.
- Lataa akku huoneen lämpötilassa välillä 10 °C - 40 °C. Anna kuumen akku jäähtyä ennen lataamista.
- Irrota akkupaketti työkalusta tai laturista, kun sitä ei käytetä.
- Lataa akkupaketti, jos et käytä sitä pitkään aikaan (yli kuusi kuukautta).

## KOKOONPANO

**⚠️VAROITUS:** Varmista aina ennen ruohonleikkurin huolto- ja korjaustoimia, että lukitusavain ja akkupaketti on irrotettu. Jos lukitusavainta ja akkua ei irroteta, laite voi käynnistyä vahingossa ja aiheuttaa vakavia vammoja.

**⚠️VAROITUS:** Älä koskaan käynnistä ruohonleikkuria, jos sen kaikkia osia ei ole täysin asennettu. Jos kaikki osat eivät ole paikallaan, kone voi käynnistyä tahattomasti ja aiheuttaa vakavia vammoja.

## Akun suojuksen asennus

**⚠️VAROITUS:** Älä aseta lukitusavainta ja akkupakettia paikalleen ennen akun suojuksen asentamista. Jos näin ei toimita, seurauksena voi olla vakavia vammoja.

Asenna akun kansi kokonaan ennen käyttöä. Akun kansi suojaa ruohonleikkuria ja akkupakettia mudalta, lialta ja vedeltä.

1. Aseta akun kansi niihin, että ruohonleikkurin ulokkeet asettuvat linjaan akun kannen reikien kanssa.

► **Kuva1:** 1. Uloke 2. Reikä 3. Akun suojus

2. Aseta molemmat kätesi akun suojuksen keskikohdan ja paina sitä.

► **Kuva2**

3. Tarkista ennen ensimmäistä käyttökertaa, että akun suojuksen saranakohta on liitetty oikein. Jos akun kansi on asennettu oikein, se ei aukea, ennen akun kannen lukitusvipua vedetään.

► **Kuva3:** 1. Saranakohta 2. Akun suojuksen lukitusvipu

## Kahvan asentaminen

**HUOMAUTUS:** Kun asennat kahvoja, sijoita liitäntäjohdot siten, etteivät ne voi tarttua mihinkään kahvojen välissä. Jos virtajohto vaurioitunut, ruohonleikkurin kytkin ei ehkä toimi.

1. Työnnä molemmat päät ruohonleikkurin alemman kahvan uriin ja kiristä sitten kiristysruuvit.

► **Kuva4:** 1. Kiristysruuvi 2. Alakahva

2. Kohdista ylemmän kahvan ja alemman kahvan ruuvireiät. Kiinnitä ne kiristysruuveilla ja -muttereilla.

► **Kuva5:** 1. Kiristysmutteri 2. Kiristysruuvi

**HUOMAA:** Pidä yläkahvaa lujasti niin, ettei se putoa kädestäsi.

3. Kiinnitä pidikkeet kahvaan. Sijoita virtajohto kuvan mukaan.

► **Kuva6:** 1. Kannatin

## Levitysosan irrottaminen

### Lisävaruste

1. Avaa takakansi.

► **Kuva7:** 1. Takakansi

2. Ota kiinni levitysosan kahvasta ja vedä sitten levitysosa irti ruohonleikkurista kuvan mukaisesti.

► **Kuva8:** 1. Levitysosa 2. Kahva

## Ruohosäiliön asentaminen

1. Avaa takakansi.

► **Kuva9:** 1. Takakansi

2. Ripusta ruohosäiliö ruohonleikkurin rungossa olevaan tankoon kuvan mukaisesti.

► **Kuva10:** 1. Koukku 2. Tanko 3. Ruohosäiliö

## Levitysosan kiinnittäminen

### Lisävaruste

1. Avaa takakansi ja irrota ruohosäiliö.

► **Kuva11:** 1. Takakansi 2. Ruohosäiliö

2. Ota kiinni levitysosan kahvasta ja kiinnitä levitysosa sitten ruohonleikkuriin kuvan mukaisesti.

► **Kuva12:** 1. Levitysosa 2. Kahva

# TOIMINTOJEN KUVAUS

## Akun asentaminen tai irrottaminen

**⚠️HUOMIO:** Sammuta kone aina ennen akkupaketin kiinnittämistä tai irrottamista.

**⚠️HUOMIO:** Varmista ennen käyttöä, että akun suojus on lukittu. Muuten muta, hiekka tai vesi voisi vaurioittaa tuotetta tai akkua.

**⚠️HUOMIO:** Työnnä akkupaketti aina pohjaan asti, niin että punainen ilmaisin ei enää näy. Jos akku ei ole kunnolla paikallaan, se voi pudota koneesta ja aiheuttaa vammoja joko sinulle tai sivullisille.

**⚠️HUOMIO:** Älä käytä voimaa akun asennuksessa. Jos akku ei lii'uta paikalleen helposti, se on väärässä asennossa.

**HUOMAA:** Kone ei toimi vain yhdellä akkupaketilla.

## Akun kiinnittäminen paikalleen;

1. Liu'uta akun suojuksen lukitusvipua itseäsi kohti ja avaa akun suojus.

► **Kuva13:** 1. Akun suojus 2. Akun suojuksen lukitusvipu

2. Kohdista akkupaketin kieleke ruohonleikkurin rakoon ja liu'uta sitten akkupakettia, kunnes se lukittuu paikalleen naksahaen.

► **Kuva14:** 1. Akkupaketti

3. Työnnä lukitusavain paikalleen niin pitkälle kun sen menee.

► **Kuva15:** 1. Lukitusavain

4. Sulje akun kansi ja työnnä sitä, kunnes se lukittuu lukitusvivulla.

## Akun irrottaminen ruohonleikkurista;

1. Liu'uta akun suojuksen lukitusvipua itseäsi kohti ja avaa akun suojus.

2. Irrota akku painamalla akkupaketin etupuolella olevaa painiketta ja vetämällä akku ulos työkalusta.

3. Vedä lukitusavain irti.

4. Sulje akun suojus.

## Koneen/akun suojausjärjestelmä

Kone on varustettu koneen/akun suojausjärjestelmällä. Tämä järjestelmä pidentää työkalun ja akun käyttöikää katkaisemalla automaattisesti moottorin virran. Kone pysähtyy automaattisesti kesken käytön, jos siinä tai akussa ilmenee jokin seuraavista tilanteista.

## Ylikuormitusuoja

Kun konetta käytetään tavalla, jossa virrankulutus on suuri, kone pysähtyy automaattisesti ilmoittamatta tästä. Katkaise tässä tilanteessa koneesta virta ja lopeta ylikuormitustilan aiheuttanut käyttö. Käynnistä sitten kone uudelleen kytkemällä siihen virta.

## Ylikuumenemissuoja

Kun kone ylikuumenee, se pysähtyy automaattisesti. Anna koneen jäähtyä, ennen kuin kytket sen uudelleen päälle.

## Ylipurkaustumisuoja

Jos akkukapasiteetti käy vähiin, kone pysähtyy automaattisesti. Jos tuote ei toimi, vaikka kytkimiä käytetään, irrota akut koneesta ja lataa ne.

### Akun jäljellä olevan varaustason ilmaisin

► **Kuva16:** 1. Akun ilmaisin

Kun akkukapasiteetti käy vähiin, vastaavan akun puoleinen merkkivalo alkaa vilkkua. Jos käyttöä jatketaan, kone pysähtyy ja akun merkkivalo syttyy noin 10 sekunnin ajaksi. Lataa tässä tilanteessa akkupaketti.

### Akun jäljellä olevan varaustason ilmaisin

*Vain akkupaketeille ilmaisimella*

► **Kuva17:** 1. Merkkivalot 2. Tarkistuspainike

Painamalla tarkistuspainiketta saat näkyviin akun jäljellä olevan varauksen. Merkkivalot palavat muutaman sekunnin ajan.

Merkkivalot			Akussa jäljellä olevan varaus
Palaa	Pois päältä	Vilkkuu	
			75% - 100%
			50% - 75%
			25% - 50%
			0% - 25%
			Lataa akku.
			Akussa on saattanut olla toimintahäiriö.

**HUOMAA:** Ilmoitettu varaustaso voi erota hieman todellisesta varaustasosta sen mukaan, millaisissa oloissa ja missä lämpötilassa laitetta käytetään.

### Kytkimen käyttäminen

**VAROITUS:** Tarkista aina ennen akkupaketin asentamista paikalleen, että kytkinvipu kytketty oikein ja palaa alkuperäiseen asentoonsa, kun se vapautetaan. Jos konetta käytetään, kun kytkin ei toimi moitteettomasti, seurauksena voi olla hallinnan menetys ja vakava henkilövahinko.

**HUOMAA:** Ruohonleikkuri ei käynnisty painamatta katkaisinpainiketta, vaikka kytkinvipua vedetään.

**HUOMAA:** Ruohonleikkuri ei ehkä käynnisty ylikuormituksen vuoksi, kun yrität leikata pitkää tai tiheää ruohoa liiallisesti. Lisää tässä tapauksessa leikkuukorkeutta.

Tämä leikkuri on varustettu lukituskatkaisimella ja kavassa olevalla katkaisimella. Jos jommankumman katkaisimen toiminnassa ilmenee jotakin epätavallista, lopeta laitteen käyttö heti ja pyydä valtuutettua Makita-huoltoilijää tarkastamaan laite.

1. Asenna akkupaketti paikalleen. Työnnä lukitusavain lukituskatkaisimeen ja sulje akun suojus.

► **Kuva18:** 1. Akkupaketti 2. Lukitusavain

2. Paina kytkin pohjaan ja pidä painettuna.

3. Tartu yläkahvaan ja vedä kytkinvipua.

► **Kuva19:** 1. Kytkinpainike 2. Kytkinvipu

4. Vapauta kytkinpainike heti, kun moottori alkaa pyöriä. Ruohonleikkuri toimii, kunnes vapautat kytkinvivun.

5. Sammuta moottori vapauttamalla kytkinvipua.

### Leikkuusyvyuden säätäminen

**VAROITUS:** Älä koskaan työnnä jalkojasi tai käsiäsi ruohonleikkurin rungon alle leikkuukorkeuden säädön aikana.

**VAROITUS:** Varmista aina ennen käyttöä, että vipu sopii uraan.

Leikkuukorkeuden säätöalue on 20 mm – 75 mm.

1. Irrota lukitusavain.

2. Vedä leikkuukorkeuden säätövipua ulospäin ruohonleikkurista ja siirrä se haluamasi leikkuukorkeuden kohdalle.

► **Kuva20:** 1. Leikkuukorkeuden säätövipu

**HUOMAA:** Leikkuukorkeuden arvoja tulee käyttää vain ohjeellisina. Riippuen nurmikon tai maanpinnan kunnosta, todellinen nurmikon korkeus saattaa olla hieman erilainen kuin asetettu korkeus.

**HUOMAA:** Kokeile leikkuukorkeutta ensin nurmikon syrjäisemmässä osassa.

### Ruohomäärän ilmaisin

► **Kuva21:** 1. Ruohomäärän ilmaisin

Ruohomäärän ilmaisin näyttää leikatun ruohon määrän.

- Jos ruohosäiliö ei ole täynnä, ilmaisin liikkuu leikkuaan aikana.
- Jos ruohosäiliö on täynnä, ilmaisin ei liiku leikkaamisen aikana. Lopeta silloin leikkaaminen heti ja tyhjennä säiliö. Kun olet tyhjentänyt ruohosäiliön, puhdista se, jotta sen verkkoseinät päästävät ilman lävitseen.

**HUOMAA:** Tämä ilmaisin on vain karkea ohje. Säiliön sisäisen tilanteen mukaan ilmaisin ei ehkä toimi oikein kaikissa tilanteissa.

### Levitysosan käyttäminen

**Lisävaruste**

Levitysosaa käyttämällä leikatun ruohon voi palauttaa maahan keräämättä sitä ruohosäiliöön. Kun käytät levitysosaa koneessa, muista irrottaa ruohosäiliö.

**HUOMAUTUS:** Kun käytät konetta levitysosan kanssa, varmista, että ruohon pituus leikkuaan jälkeen on vähintään 30 mm ja että leikkauspituus on enintään 15 mm.

► **Kuva22:** (1) Vähintään 30 (2) Enintään 15

# TYÖSKENTELY

## Ruohonleikkuu

**VAROITUS:** Poista kepit ja kivet leikkualueelta ennen leikkuun aloittamista. Poista myös rikkaruohot alueelta ennen ruohon leikkaamista.

**VAROITUS:** Käytä sivusuojilla varustettuja suojalaseja aina, kun käytät ruohonleikkuria.

**HUOMIO:** Jos leikattu ruoho tai vierasesineet aiheuttavat tukoksen ruohonleikkurin rungossa, poista lukitusavain ja irrota akkupaketti ennen kuin alat poistaa ruohoa tai vierasesineitä. Käytä käsineitä poiston aikana.

**HUOMAUTUS:** Käytä tätä konetta vain ruohon leikkaamiseen. Älä leikkaa rikkakasveja tällä koneella.

► Kuva23

Pidä kahvasta tukevasti molemmin käsin kiinni leikkuun aikana.

Suosittelu leikkuunopeus on noin 1 metri 4 sekunnissa.

► Kuva24

Etupyörien ulkoreunat toimivat leikkuuleveyden oppaana. Leikkaa nurmikko kaista kerrallaan käyttämällä etupyörien ulkoreunoja kaistan leikkuuleveyden oppaana. Limitä uusi kaista noin kolmasosasta puoleen väliin edellisen kaistan kanssa, niin leikatusta nurmikosta tulee tasainen.

► Kuva25: 1. Leikkuuleveys 2. Limitäinen alue  
3. Ulkoreuna

Vaihda leikkuusuuntaa joka kaistalle, jotta leikkuukuvio ei ole vain yksisuuntainen.

► Kuva26

Tarkista aika ajojen ruohosäiliöstä leikattu ruohomäärä. Tyhjä ruoho, ennen kuin se on täynnä. Varmista ennen tarkastusta, että ruohonleikkuri on pysäytetty ja lukitusavain ja akkupaketti on irrotettu.

**HUOMAUTUS:** Jos ruohonleikkuria käytetään täysinlaisella ruohosäiliöllä, terä ei pääse pyörimään esteettä, mikä rasittaa moottoria ja voi vaurioittaa sitä.

## Pitkän ruohon leikkaaminen

Älä yritä leikata pitkäksi kasvanutta nurmikkoa kokonaan yhdellä leikkuukerralla. Leikkaa sen sijaan nurmikkoa useammassa vaiheessa. Jätä päivä tai kaksi leikkuukertojen väliin, kunnes nurmikko tulee tasaisen lyhyeksi.

**HUOMAA:** Pitkän ruohon leikkaaminen lyhyeksi yhdellä kerralla voi aiheuttaa ruohon kuoleamisen. Ruoho voi myös tukkia ruohonleikkurin rungon sisäpuolella.

## Ruohosäiliön tyhjentäminen

**VAROITUS:** Onnettomuusriskin pienentämiseksi ruohosäiliön kuntoa tulee valvoa jatkuvasti ja vaurioitunut tai heikentynyt säiliö on tarvittaessa vaihdettava. Vaihda ruohosäiliö tarvittaessa.

1. Vapauta kytkinvipu.
2. Irrota lukitusavain.
3. Avaa takakansi, tartu ruohosäiliön kahvaan ja vedä ruohosäiliö irti.  
► Kuva27: 1. Takakansi 2. Kahva
4. Tyhjennä ruohosäiliö.

## KUNNOSSAPITO

**VAROITUS:** Varmista aina ennen ruohonleikkurin varastoimista tai kantamista tai sen tarkastus- tai huoltotoimien aloittamista, että lukitusavain ja akkupaketti on irrotettu ruohonleikkurista.

**VAROITUS:** Poista aina lukitusavain, kun leikkuri ei ole käytössä. Säilytä lukitusavainta turvallisessa paikassa lasten ulottumattomissa.

**VAROITUS:** Käytä käsineitä tarkastuksen ja huollon aikana.

**VAROITUS:** Käytä sivusuojilla varustettuja suojalaseja aina, kun käytät teet tarkastus- tai huoltotoimia.

**HUOMAUTUS:** Älä koskaan käytä bensiiniä, ohenteita, alkoholia tai tms. aineita. Muutoin pinta voi halkeilla tai sen värit ja muoto voivat muuttua. Muutoin laitteeseen voi tulla värjäytymiä, muodon vääristymiä tai halkeamia.

Tuotteen TURVALLISUUDEN ja LUOTETTAVUUDEN takaamiseksi korjaukset, muut huoltotyöt ja säädöt on teetettävä Makitan valtuutetussa huoltopisteessä Makitan varaosia käyttäen.

## Huolto

1. Irrota lukitusavain. Säilytä sitä turvallisessa paikassa lasten ulottumattomissa.
2. Puhdista ruohonleikkuri vain kostealla liinalla. Älä ruiskuta tai kaada vettä ruohonleikkurin päälle puhdistuksen aikana.
3. Käännä ruohonleikkuri kyljelleen ja puhdista ruohonleikkurin kotelon pohjaan kerääntynyt ruohosilppu.
4. Tarkista kaikkien mutterien, pulltien, nappien, ruuvien, kiinnikkeiden ym. kireys.
5. Tarkista, etteivät liikkuvat osat ole vaurioituneet, murttuneet tai kulumien varalta. Vaurioituneet tai puuttuvat osat tulee korjata tai vaihtaa.

## Säilytys

**VAROITUS:** Älä kannna ruohonleikkuria taivutetuista kahvoista tai säilytä sitä niiden varassa. Käytä niiden sijaan ruohonleikkurin etukahvaa. Ruohonleikkurin nostaminen taivutetuista kahvoista voi vaurioittaa laitetta tai aiheuttaa vakavia vammoja.

Irrota akkupaketti ja poista lukitusavain ennen ruoholeikkurin asettamista varastoon.

Säilytä ruohonleikkuria sisätiloissa viileässä, kuivassa ja lukitussa paikassa. Älä säilytä ruohonleikkuria ja laturia paikassa, jossa lämpötila voi nousta 40 °C:een tai sitä korkeammaksi.

► **Kuva28:** 1. Etukahva 2. Takakahva

1. Löysää kiristysruuvit ja levitä alakahva molemmille puolille. Siirrä kahvaa alas eteenpäin. Pidä nyt tukevasti kiinni alakahvasta niin, ettei se pääse putoamaan ruohonleikkurin rungon etäisemmälle puolelle.

► **Kuva29:** 1. Kiristysruuvi 2. Alakahva

2. Löysää kiristysmuttereita ja käännä yläkahvaa taakse levittäen samalla molemmille puolille.

► **Kuva30:** 1. Kiristysmutteri 2. Yläkahva

3. Säilytä ruohosäiliötä kahvan ja ruohonleikkurin rungon välissä.

► **Kuva31:** 1. Ruohosäiliö

**HUOMAA:** Kun asetat ruohonleikkurin pystysuoraan asentoon, älä pidä kiinni kahvasta, vaan ruohonleikkurin etukahvasta.

## Ruohonleikkuuterän irrotus ja asentaminen

**VAROITUS:** Irrota lukitusavain ja akku aina ennen terän irrottamista ja asentamista. Jos lukitusavainta ja akkupakettia ei irroteta, seurauksena voi olla vakavia vammoja.

**VAROITUS:** Terä pyörii vielä muutaman sekunnin ajan kytkimen vapauttamisen jälkeen. Älä aloita mitään toimenpidettä, ennen kuin terä on täysin pysähtynyt.

**VAROITUS:** Käytä aina suojakäsineitä, kun käsittelet terää.

## Ruohonleikkurin terän irrottaminen

### Malli DLM382

1. Käännä ruohonleikkuri kyljelleen siten, että leikkukorkeuden säätövipu tulee yläpuolelle.
2. Voit lukita terän pyörimisen työntämällä ruuvitalan tai vastaavan työkalun ruohonleikkurin rungossa olevaan reikään.
3. Kierrä pulttia vastapäivään kiintoavaimella.  
► **Kuva32:** 1. Ruohonleikkurin terä 2. Ruuvitalta 3. Kiintoavain
4. Irrota järjestyksessä pultti ja terä.  
► **Kuva33:** 1. Terän tuki 2. Ruohonleikkurin terä 3. Pultti

### Malli DLM432

1. Käännä ruohonleikkuri kyljelleen siten, että leikkukorkeuden säätövipu tulee yläpuolelle.
2. Voit lukita terän pyörimisen työntämällä ruuvitalan tai vastaavan työkalun ruohonleikkurin rungossa olevaan reikään.
3. Kierrä pulttia vastapäivään kiintoavaimella.  
► **Kuva34:** 1. Ruohonleikkurin terä 2. Ruuvitalta 3. Kiintoavain
4. Irrota pultti, ulkolaippa, ruohonleikkuuterä ja sisälaippa järjestyksessä.  
► **Kuva35:** 1. Sisälaippa 2. Ruohonleikkurin terä 3. Ulkolaippa 4. Pultti

## Ruohonleikkurin terän kiinnittäminen

Ruohonleikkuuterä asennetaan päinvastaisessa järjestyksessä.

**VAROITUS:** Asenna ruohonleikkurin terä huolellisesti. Siinä on ylä-/alapuoli. Asenna terä siten, että terän pyörimissuuntanuoli osoittaa ulospäin.

**VAROITUS:** Kiinnitä sitten terä paikalleen kiristämällä mutteri tiukasti myötäpäivään kiertäen.

**VAROITUS:** Varmista, että ruohonleikkurin terä ja kaikki kiinnitysosat on asennettu oikein ja kunnolla kiristetty.

**VAROITUS:** Kun vaihdat teriä, noudata aina tämän oppaan ohjeita.

# VIANMÄÄRITYS

Tarkista laite ensin itse, ennen kuin viet sen korjattavaksi. Jos ongelmaan ei löydy ratkaisua käyttöoppaasta, älä kuitenkaan yritä purkaa työkalua osiin. Vie ota sen sijaan yhteyttä Makita-huoltoilikkeeseen. Käytä korjaamiseen aina alkuperäisiä Makita-varaosia.

Epänormaali tila	Todennäköinen syy (toimintahäiriö)	Korjaus
Ruohonleikkuri ei käynnisty.	Kahta akkupakettia ei ole asennettu.	Asenna ladatut akkupaketit paikalleen.
	Akkuongelma (alijännite)	Lataa akkupaketti. Jos lataaminen ei toimi tehokkaasti, vaihda akkupakettia.
	Lukitusavain ei ole paikallaan.	Laita lukitusavain paikalleen.
Moottori pysähtyy lyhyen käytön jälkeen.	Akun varaustila on alhainen.	Lataa akkupaketti. Jos lataaminen ei toimi tehokkaasti, vaihda akkupakettia.
	Leikkuukorkeus on liian alhainen.	Nosta leikkuukorkeutta.
Moottori ei saavuta suurinta kierros lukua.	Akkupaketti on asennettu väärin.	Asenna akkupaketti tämän käyttöohjeen ohjeiden mukaan.
	Akun teho laskee.	Lataa akkupaketti. Jos lataaminen ei toimi tehokkaasti, vaihda akkupakettia.
	Vetojärjestelmä ei toimi oikein.	Pyydä valtuutettua huoltoilikeäsi korjaamaan laite.
Ruohonleikkurin terä ei pyöri: ⇒ pysäytä ruohonleikkuri välittömästi!	Vieras esine, esimerkiksi oksa, on juuttunut lähelle terää.	Poista vieras esine.
	Vetojärjestelmä ei toimi oikein.	Pyydä valtuutettua huoltoilikeäsi korjaamaan laite.
Epänormaali tärinä: ⇒ pysäytä ruohonleikkuri välittömästi!	Terä on epätasapainossa, liiallisesti tai epätasaisesti kulunut.	Vaihda terä.

## LISÄVARUSTEET

**⚠HUOMIO:** Seuraavia lisävarusteita tai laitteita suositellaan käytettäväksi tässä ohjeessa kuvatus Makita-työkalun kanssa. Muiden lisävarusteiden tai laitteiden käyttö voi aiheuttaa henkilövahinkoja. Käytä lisävarusteita ja -laitteita vain niiden käyttötarkoituksen mukaisesti.

Jos tarvitset apua tai yksityiskohtaisempia tietoja seuraavista lisävarusteista, ota yhteys paikalliseen Makitan huoltoon.

- Ruohonleikkurin terä
- Levitysosa
- Aito Makita-akku ja -laturi

**HUOMAA:** Jotkin luettelossa mainitut varusteet voivat sisältyä työkalun toimitukseen vakiovarusteina. Ne voivat vaihdella maittain.

## SPECIFIKATIONER

Model:	DLM382	DLM432
Klippebredde (diameter af bladet)	380 mm	430 mm
Omdrejninger uden belastning	3.700 min <sup>-1</sup>	3.600 min <sup>-1</sup>
Artikelnr. på reserveblad til plæneklipper	191D41-2	191D43-8
Mål (L x B x H)	under anvendelse	L: 1.380 mm til 1.410 mm B: 450 mm H: 985 mm til 1.005 mm
	under opbevaring (uden græskurv)	860 mm x 450 mm x 475 mm
Mærkespænding	36 V DC	
Nettovægt	15,0 - 16,5 kg	15,4 - 17,1 kg

- På grund af vores kontinuerlige forsknings- og udviklingsprogrammer kan hosstående specifikationer blive ændret uden varsel.
- Specifikationer kan variere fra land til land.
- Vægten kan være anderledes afhængigt af tilbehøret, inklusive akkuen. Den letteste og tungeste kombination i henhold til EPTA-procedure 01/2014 er vist i tabellen.

## Anvendelig akku og oplader

Akku	BL1815N / BL1820 / BL1820B / BL1830 / BL1830B / BL1840 / BL1840B / BL1850 / BL1850B / BL1860B
Oplader	DC18RC / DC18RD / DC18RE / DC18SD / DC18SE / DC18SF / DC18SH

- Nogle af de akkuer og opladere, der er angivet ovenfor, er muligvis ikke tilgængelige, afhængigt af hvilket område du bor i.

**⚠ ADVARSEL:** Brug kun de akkuer og opladere, der er angivet ovenfor. Brug af andre akkuer og opladere kan medføre personskaade og/eller brand.

**⚠ ADVARSEL:** Brug ikke en ledningstilsluttet strømforsyning som fx en batteriadapter eller bærbar strømforsyningsenhed med denne maskine. Ledningen til en sådan strømforsyning kan muligvis hindre brugen og forårsage personskaade.

## Symboler

Følgende viser de symboler, der muligvis anvendes til udstyret. Sørg for, at du forstår deres betydning før brugen.

	Udvis særlig forsigtighed og opmærksomhed.
	Læs betjeningsvejledningen.
	Fare; pas på kastede genstande.
	Afstanden mellem maskinen og omkringstående skal være mindst 15 m.
	Anbring aldrig hænder og fødder i nærheden af bladet under plæneklipperen. Bladene fortsætter med at rotere, efter at der slukkes for motoren.
	Fjern låsenøglen, inden De inspicerer, justerer, rengør, servicerer og forlader plæneklipperen eller stiller den til opbevaring.



Kun for lande inden for EU  
Bortskaf ikke elektrisk udstyr eller akkuen sammen med almindeligt husholdningsaffald!  
I overensstemmelse med EU-direktiverne vedrørende Affald af elektrisk og elektronisk udstyr samt Batterier og akkumulatorer og Batteri- og akkumulatoraffald og deres anvendelse i overensstemmelse med nationale love skal elektrisk udstyr og batterier og batteripakker, der har nået slutningen af deres levetid, indsamles separat og returneres til en miljøvenlig genbrugsstation.

## Tilsigtet anvendelse

Maskinen er beregnet til at slå græs.

Det typiske A-vægtede støjniveau bestemt i overensstemmelse med EN60335-2-77:

**Model DLM382**

Lydtryksniveau ( $L_{pA}$ ): 81 dB (A)  
Lydeffektniveau ( $L_{WA}$ ): 91 dB (A)  
Usikkerhed (K): 3 dB (A)

**Model DLM432**

Lydtryksniveau ( $L_{pA}$ ): 81 dB (A)  
Lydeffektniveau ( $L_{WA}$ ): 92 dB (A)  
Usikkerhed (K): 3 dB (A)

**BEMÆRK:** De(n) angivne støjemissionsværdi(er) er målt i overensstemmelse med en standardtestmetode og kan anvendes til at sammenligne en maskine med en anden.

**BEMÆRK:** De(n) angivne støjemissionsværdi(er) kan også anvendes i en præliminær eksponeringsvurdering.

**⚠ ADVARSEL:** Bær høreværn.

**⚠ ADVARSEL:** Støjmissionen under den faktiske anvendelse af maskinen kan være forskellig fra de(n) angivne værdi(er), afhængigt af den måde hvorpå maskinen anvendes, især den type arbejdsemne der behandles.

**⚠ ADVARSEL:** Sørg for at identificere de sikkerhedsforskrifter til beskyttelse af operatøren, som er baseret på en vurdering af eksponering under de faktiske brugsforhold (med hensyntagen til alle dele i brugscyklussen, f.eks. de gange, hvor maskinen er slukket, og når den kører i tomgang i tilgift til afbrydertiden).

**Vibration**

Vibrationens totalværdi (tre-aksial vektorsum) bestemt i overensstemmelse med EN60335-2-77:

**Model DLM382**

Vibrationsemission ( $a_h$ ): 2,5 m/s<sup>2</sup> eller mindre  
Usikkerhed (K): 2,0 m/s<sup>2</sup>

**Model DLM432**

Vibrationsemission ( $a_h$ ): 2,5 m/s<sup>2</sup> eller mindre  
Usikkerhed (K): 1,5 m/s<sup>2</sup>

**BEMÆRK:** De(n) angivne totalværdi(er) for vibration er målt i overensstemmelse med en standardtestmetode og kan anvendes til at sammenligne en maskine med en anden.

**BEMÆRK:** De(n) angivne totalværdi(er) for vibration kan også anvendes i en præliminær eksponeringsvurdering.

**⚠ ADVARSEL:** Vibrationsemissionen under den faktiske anvendelse af maskinen kan være forskellig fra de(n) angivne værdi(er), afhængigt af den måde hvorpå maskinen anvendes, især den type arbejdsemne der behandles.

**⚠ ADVARSEL:** Sørg for at identificere de sikkerhedsforskrifter til beskyttelse af operatøren, som er baseret på en vurdering af eksponering under de faktiske brugsforhold (med hensyntagen til alle dele i brugscyklussen, f.eks. de gange, hvor maskinen er slukket, og når den kører i tomgang i tilgift til afbrydertiden).

**Kun for lande i Europa**

EF-overensstemmelseserklæringen er inkluderet som Bilag A i denne brugsanvisning.

**SIKKERHEDSADVARSLER****VIGTIGE SIKKERHEDSFORSKRIFTER**

**⚠ ADVARSEL:** Læs alle sikkerhedsadvarsler og alle sikkerhedsinstruktioner. Hvis nedenstående advarsler og instruktioner ikke overholdes, kan det medføre elektrisk stød, brand og/eller alvorlig personskade.

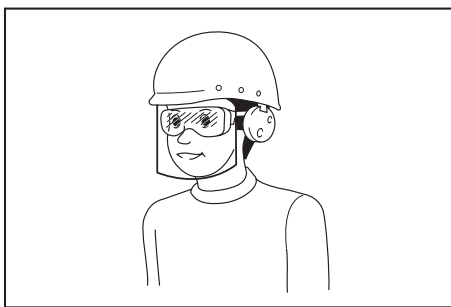
**Gem alle advarsler og instruktioner til fremtidig reference.****Oplæring**

1. Læs instruktionerne omhyggeligt. Vær bekendt med kontrollerne og den korrekte brug af plæneklipperen.
2. Lad aldrig børn eller personer, som ikke er bekendt med disse instruktioner, anvende plæneklipperen. Operatørens alder kan være begrænset af lokale bestemmelser.
3. Anvend aldrig plæneklipperen, hvis der er personer, især børn, eller kæledyr i nærheden.
4. Husk, at operatøren eller brugeren er ansvarlig for ulykker eller farlige situationer, som andre personer eller deres ejendom udsættes for.
5. Børn bør være under opsyn for at sikre, at de ikke leger med plæneklipperen.
6. Fysisk tilstand - anvend ikke plæneklipperen under indflydelse af narkotika, alkohol eller nogen form for medicin.

**Forberedelse**

1. Under anvendelse af plæneklipperen skal De altid bære solidt fodtøj og lange bukser. Anvend ikke plæneklipperen med bare fødder eller åbne sandaler. Undgå at bære løst tøj eller smykker med løsthængende kæder eller slips. Disse kan sætte sig fast i de bevægelige dele.
2. Inden brug skal du altid visuelt efterse plæneklipperen for beskadigede, manglende eller forkert anbragte beskyttelsesskærme eller afskærmninger.
3. Sørg for, at der ikke er nogen personer i arbejdsområdet, inden arbejdet påbegyndes. Stop plæneklipperen, hvis der kommer nogen ind i området.
4. Sæt ikke låsenøglen i plæneklipperen, før den er klar til brug.
5. Bær altid beskyttelsesbriller for at beskytte dine øjne mod skader, når du bruger maskinen. Beskyttelsesbrillerne skal overholde ANSI Z87.1 i USA, EN 166 i Europa eller AS/NZS 1336 i Australien/New Zealand. I Australien/New Zealand er det desuden påbudt ved lov at bære ansigtsskærm for at beskytte dit ansigt.





Det er arbejdsgiverens ansvar at påbyde brugerne af maskinen samt andre personer i det umiddelbare arbejdsområde at bære passende sikkerhedsbeskyttelsesudstyr.

6. Inspicer omhyggeligt bladene eller boltene til bladene for revner og beskadigelse inden brugen. Revnede eller beskadigede blade eller bolte til bladene skal straks skiftes ud.
7. Fjern fremmedlegemer såsom sten, ståltråd, flasker, ben eller store kæppe fra arbejdsområdet inden klipningen for at undgå personskaade og skade på plæneklipperen.
8. Genstande, der rammes af plæneklipperbladet, kan forårsage alvorlig personskaade. Plænen bør altid undersøges omhyggeligt, og alle genstande skal fjernes inden hver plæneklipping.
9. Se efter huller, hjulspor, buler, sten eller andre skjulte genstande. Ujævnt terræn kan forårsage et uheld, hvor du glider og falder. Højt græs kan skjule forhindringer.

#### Drift

1. Stræk dig ikke for langt. Bevar til enhver tid balancen. Sørg altid for et godt fodfæste på skrånninger. Gå, løb aldrig.
2. Stop plæneklipperen og fjern låsenøglen, og sørg for, at alle bevægelige dele er stoppet helt:
  - når De forlader plæneklipperen,
  - inden rengøring af tilstopninger eller rensning af rende,
  - inden inspektion, rengøring eller arbejde på plæneklipperen,
  - efter et fremmedlegeme er ramt. Inspicér plæneklipperen for beskadigelser, og udfør reparationer, inden du igen starter og anvender plæneklipperen,
  - når plæneklipperen begynder at vibrere unormalt.
3. Anvend aldrig plæneklipperen med defekte dæksler eller skjolde eller uden sikkerhedsanordninger, f.eks. defektor og/eller græskurv, på plads.
4. Undgå at bruge plæneklipperen i dårligt vejr, især hvis der er risiko for lynnedslag.
5. Bær til enhver tid øjebeskyttelse og solide sko, når du betjener plæneklipperen.
6. Anvend kun plæneklipperen i dagslys eller i god kunstig belysning.
7. Vær påpasselig med at starte plæneklipperen i overensstemmelse med instruktionerne og med fødderne på god afstand af bladet (bladene).

8. Pas på personskade på fødder og hænder fra plæneklipperbladene.
9. Sørg altid for, at ventilationsåbningerne holdes fri for rester.
10. Kør plæneklipperen på tværs af skrånninger, aldrig op og ned ad dem. Vær yderst forsigtig, når De skifter retning på skrånninger. Anvend ikke plæneklipperen på meget stejle skrånninger.
11. Vær yderst forsigtig, når De bakker eller trækker plæneklipperen imod Dem selv.
12. Stop bladet (bladene), hvis plæneklipperen skal vippes i transportøjemed, når andre overflader end græs krydses, og når plæneklipperen transporteres til og fra det område, hvor den skal anvendes.
13. Vip ikke plæneklipperen, når De tænder for motoren, undtagen hvis plæneklipperen skal vippes for at starte den. I dette tilfælde må den ikke vippes mere end absolut nødvendigt, og kun den del, der vender væk fra operatøren, må løftes. Sørg altid for, at begge hænder er i betjeningspositionen, før plæneklipperen sættes tilbage på jorden.
14. Anbring ikke hænder og fødder i nærheden af eller under de roterende dele. Hold Dem til enhver tid på god afstand af udlædningsåbningen.
15. Transportér ikke plæneklipperen, mens der er tændt for den.
16. Anvend ikke plæneklipperen i vådt græs.
17. Plæneklipperen må aldrig anvendes i regnvej.
18. Hold altid godt fast i håndtaget.
19. Tag ikke fat i de blottede skæreblade eller skærekanter, når plæneklipperen løftes eller holdes.
20. Hold hænder og fødder på god afstand af de roterende blade. Forsigtig - bladene fortsætter med at dreje rundt, efter at der er slukket for plæneklipperen.
21. Hold straks op med brugen, hvis noget usædvanligt opdages. Sluk for plæneklipperen, og tag låsenøglen ud. Inspicér derefter plæneklipperen.
22. Forsøg aldrig at foretage indstillinger af klippehøjden, mens plæneklipperen er i gang, hvis plæneklipperen har en funktion til justering af klippehøjde.
23. Frigør afbryderarmen, og vent, til bladene er holdt op med at dreje rundt, inden der køres over indkørsler, stier, veje og grusbetlagte områder. Fjern ligeledes låsenøglen, hvis De forlader plæneklipperen, rækker ud for at samle noget op eller for at få det af vejen eller af andre årsager, der kan distrahere Dem fra det, som De er i gang med.
24. Hvis plæneklipperen rammer et fremmedlegeme, skal nedenstående trin følges:
  - Stop plæneklipperen, frigør afbryderarmen, og vent, indtil bladet er standstødt helt.
  - Fjern låsenøglen og akkuen.
  - Inspicér plæneklipperen grundigt for beskadigelse.

- Skift bladet ud, hvis det på nogen måde er beskadiget. Reparér enhver skade, inden De igen starter plæneklipperen og fortsætter med at anvende den.

25. Start ikke plæneklipperen, mens De står foran udlædningsåbningen.
26. Hvis plæneklipperen begynder at vibrere unormalt (kontrollér straks)
  - inspicér for beskadigelse,
  - udskift eller reparér alle beskadigede dele,
  - kontrollér, om der er løse dele, og stram dem i så fald.
27. Ret aldrig udkastet materiale mod nogen. Undgå udkastning af materiale mod en mur eller forhindring. Materiale kan blive kastet tilbage mod operatøren. Stop bladet når der køres over grusoverflader.
28. Undlad at trække plæneklipperen tilbage medmindre det er absolut nødvendigt. Når du er nødt til at bakke plæneklipperen tilbage fra et hegn eller lignende forhindring, skal du se ned og bagud, før og mens du bevæger dig baglæns.
29. Sluk for motoren, og vent indtil bladet er helt standset, før du fjerner græsfangeren. Vær opmærksom på, at bladene bevæger sig, efter at der er slukket.

#### Vedligeholdelse og opbevaring

1. Skift af sikkerhedsårsager slidte eller beskadigede dele ud med nye. Anvend kun originale udskiftingsdele og originalt tilbehør.
2. Inspicér og vedligehold plæneklipperen regelmæssigt.
3. Når den ikke er brugt, skal du opbevare plæneklipperen utilgængeligt for børn.
4. Hold alle møtrikker, bolte og skruer stramme for at sikre, at udstyret er i sikker funktionsstand.
5. Inspicér hyppigt græskurven for slitage eller forringelse. Kontrollér altid, at græskurven er tom inden opbevaring. Skift af sikkerhedsgrunde en udtjent græskurv ud med en fabriksny.
6. Anvend kun originale blade fra fabrikanten, som er specificeret i denne brugsanvisning.
7. Vær påpasselig, når plæneklipperen justeres, således at De ikke får fingrene i klemme mellem plæneklipperens roterende blade og de faste dele.
8. Skyl ikke med en vandslange. Undgå, at der kommer vand ind i motoren og de elektriske tilslutninger.
9. Kontrollér med jævne mellemrum bladets befæstelsesbolt for den rigtige stramning.
10. Lad altid plæneklipperen køle af, inden den stilles til opbevaring.
11. Når De servicerer bladene, skal De være opmærksom på, at bladene stadig kan bevæge sig, selv om der er slukket for maskinen.
12. Fjern eller ændr aldrig sikkerhedsanordninger. Kontrollér regelmæssigt at de fungerer ordentligt. Gør aldrig noget som kan interferere med den tilsigtede funktion af en sikkerhedsanordning eller for at reducere beskyttelsen fra en sikkerhedsanordning.

#### Brug og vedligeholdelse af batteriet

1. Oplad kun med den oplader, som producenten angiver. En oplader, der passer til én type batteri, kan forårsage brand, hvis den anvendes med et andet batteri.
2. Brug kun el-værktøjer sammen med de tilhørende batteripakker. Brug af andre batteripakker kan forårsage personskade og brand.
3. Når batteripakker ikke anvendes, skal de holdes borte fra andre metalgenstande som papirclips, mønter, nøgler, søm, skruer og andre små metalgenstande, der kan skabe forbindelse mellem terminalerne. Hvis batteriets terminaler kortsluttes, kan det forårsage brand.
4. I tilfælde af misbrug kan der sprøjte væske ud fra batteriet. Undgå kontakt. Skyl med vand, hvis De kommer i kontakt med væsken. Søg læge, hvis De får væske i øjet. Væske, der sprøjter ud fra batteriet, kan medføre irritation eller forbrændinger.
5. Undlad at bruge en akku eller maskine, der er beskadiget eller ændret. Beskadigede eller ændrede batterier kan fungere uforudsigeligt og medføre brand, eksplosion eller risiko for personskade.
6. Undlad at udsætte en akku eller maskine for brand eller høje temperaturer. Udsættelse for brand eller temperaturer på over 130 °C kan medføre eksplosion.
7. Følg alle instruktioner vedrørende opladning, og undlad at oplade akkuen eller maskinen uden for det temperaturinterval, der er angivet i instruktionerne. Opladning, der udføres forkert eller ved temperaturer uden for det angivne temperaturinterval, kan beskadige batteriet og medføre øget risiko for brand.

#### Elektrisk sikkerhed og batterisikkerhed

1. Undlad at kaste batterierne i åben ild. Celler kan eksplodere. Tjek de lokale regler for eventuelle særlige instruktioner vedrørende bortskaffelse.
2. Undlad at åbne eller mishandle batterierne. Lækket elektrolyt er ætsende og kan medføre skader på øjnene eller huden. Den kan være giftig, hvis den indtages.
3. Undlad at oplade batteriet i regnvejrr eller under våde forhold.
4. Oplad ikke batteriet uden døre.
5. Håndter ikke oplader, herunder opladerstik, og opladerterminaler med våde hænder.

#### Service

1. Få udført service på el-værktøjet hos en autoriseret mekaniker, og brug kun tilsvarende reservedele. Derved vedligeholdes el-værktøjets sikkerhed.
2. Udfør aldrig service på beskadigede akkuer. Service på akkuer må kun udføres af producenten eller af autoriserede reparatører.

## GEM DENNE BRUGSANVISNING.

**⚠ ADVARSEL:** LAD IKKE bekvemmelighed eller kendskab til produktet (opnået gennem gentagen brug) forhindre, at sikkerhedsforskrifterne for produktet nøje overholdes.

**MISBRUG** eller forsømmelse af at følge de i denne brugsvejledning givne sikkerhedsforskrifter kan føre til, at De kommer alvorligt til skade.

## Vigtige sikkerhedsinstruktioner for akkuen

1. Læs alle instruktioner og advarselmærkater på (1) akku-opladeren, (2) akkuen og (3) produktet, som anvender akku.
2. Adskil eller ændr ikke akkuen. Det kan muligvis resultere i en brand, overdreven varme eller eksplosion.
3. Hold straks op med anvendelsen, hvis brugstiden er blevet stærkt afkortet. Fortsat anvendelse kan resultere i risiko for overophedning, forbrændinger og endog eksplosion.
4. Hvis De har fået elektrolytvæske i øjnene, skal De straks skylle den ud med rent vand og derefter øjeblikkeligt søge lægehjælp. I modsat fald kan De miste synet.
5. Vær påpasselig med ikke at komme til at kortslutte akkuen:
  - (1) Rør ikke ved terminalerne med noget ledende materiale.
  - (2) Undgå at opbevare akkuen i en beholder sammen med andre genstande af metal, for eksempel søm, mønter og lignende.
  - (3) Udsæt ikke akkuen for vand eller regn. Kortslutning af akkuen kan forårsage en kraftig øgning af strømmen, forophedning, mulige forbrændinger og endog værktøjstop.
6. Opbevar og brug ikke maskinen og akkuen på steder, hvor temperaturen muligvis kan nå eller overstige 50 °C.
7. Lad være med at brænde akkuen, selv ikke i tilfælde, hvor den har lidt alvorlig skade eller er fuldstændig udtjent. Akkuen kan eksplodere, hvis man forsøger at brænde den.
8. Slå ikke søm i, skær ikke i, knus, kast, tab ikke akkuen og stød ikke akkuen mod en hård genstand. Sådant adfærd kan muligvis resultere i en brand, overdreven varme eller eksplosion.
9. Anvend ikke en beskadiget akku.
10. De indbyggede litium-ion-batterier er underlagt lovkrav vedrørende farligt gods.

Ved kommerciel transport, f.eks. af tredjeparts transportselskaber, skal særlige krav til forpakning og mærkning overholdes.

Ved forberedelse af udstyret til forsendelse skal du kontakte en ekspert i farligt gods. Overhold også eventuel mere detaljeret national lovgivning.

Tape eller tildæk åbne kontakter, og pak batteriet på en måde, så det ikke kan flytte sig rundt i pakningen.
11. Når akkuen bortskaftes, skal du fjerne den fra maskinen og bortskaft den på et sikkert sted. Følg de lokale love vedrørende bortskaftelsen af batterier.
12. Brug kun batterierne med de produkter, som Makita specificerer. Hvis batterierne installeres i ikke-kompatible produkter, kan det medføre brand, kraftig varme, eksplosion eller udsivning af elektrolyt.
13. Hvis maskinen ikke skal bruges i længere tid ad gangen, skal du fjerne batteriet fra maskinen.
14. Akkuen kan muligvis under og efter brug være varm, hvilket kan forårsage forbrændinger eller lavtemperaturforbrændinger. Vær påpasselig med håndtering af varme akkuer.
15. Rør ikke terminalen på maskinen straks efter brug, da den bliver varm nok til at forårsage forbrændinger.

16. Sørg for at spåner, støv eller jord ikke sætter sig fast inde i terminalerne, hullerne og rillerne på akkuen. Det kan muligvis medføre dårlig ydelse eller nedbrud af maskinen eller akkuen.
17. Medmindre maskinen understøtter brugen i nærheden af elektriske højspændingsledninger, skal du ikke anvende akkuen i nærheden af elektriske højspændingsledninger. Det kan muligvis medføre funktionsfejl på eller nedbrud af maskinen eller akkuen.
18. Opbevar batteriet utilgængeligt for børn.

## GEM DENNE BRUGSANVISNING.

**⚠️FORSIGTIG:** Brug kun originale batterier fra Makita. Brug af uoriginale Makita-batterier, eller batterier som er blevet ændret, kan muligvis medføre brud på batteriet, hvilket kan forårsage brand, personskade eller beskadigelse. Det ugyldiggør også Makita-garantien for Makita-maskinen og opladeren.

## Tips til opnåelse af maksimal akku-levetid

1. Oplad akkuen, inden den er helt afladet. Stop altid værktøjet, og oplad akkuen, hvis De bemærker, at værktøjeffekten er aftagende.
2. Genoplad aldrig en fuldt opladet akku. Overopladning vil afkorte akkuens levetid.
3. Oplad akkuen ved stuetemperatur ved 10 °C - 40 °C. Lad altid en varm akku få tid til at køle af, inden den oplades.
4. Når du ikke anvender akkuen, skal du fjerne den fra maskinen eller opladeren.
5. Oplad akkuen, hvis De ikke skal bruge den i længere tid (mere end seks måneder).

## SAMLING

**⚠️ADVARSEL:** Vær altid sikker på, at låsenøglen og akkuen er fjernet, inden De udfører noget arbejde på plæneklipperen. Hvis De ikke fjerner låsenøglen og akkuen, kan det medføre alvorlig personskade forårsaget af utilsigtet start.

**⚠️ADVARSEL:** Start aldrig plæneklipperen, medmindre den er fuldstændig samlet. Anvendelse af maskinen i kun delvist samlet tilstand kan medføre alvorlig personskade forårsaget af utilsigtet start.

## Montering af akku-dækslet

**⚠️ADVARSEL:** Sæt ikke låsenøglen og akkuen i, før akku-dækslet er sat på. Forsømmelse af dette kan medføre alvorlig personskade.

Installér akku-dækslet helt før brugen. Akku-dækslet beskytter plæneklipperen og akkuen mod mudder, snavs og vand.

1. Anbring akku-dækslet, så de fremspringende dele på plæneklipperen og hullerne i akku-dækslet sidder ud for hinanden.

► Fig.1: 1. Fremspringende del 2. Hul 3. Akku-dæksel

2. Anbring hænderne midt på akku-dækslet, og tryk det ned.  
► **Fig.2**

3. Kontrollér inden den første anvendelse, at akku-dækslets drejepunkt er ordentligt monteret. Hvis akku-dækslet er monteret korrekt, kan det ikke åbnes, for der trækkes i låsearmen til akku-dækslet.

► **Fig.3:** 1. Drejepunkt 2. Låsearm til akku-dæksel

## Montering af håndtaget

**BEMÆRKNING:** Når der monteres håndtag, skal ledningerne placeres således, at de ikke sætter sig fast i noget mellem håndtagene. Hvis ledningen er beskadiget, fungerer plæneklipperens afbryder muligvis ikke.

1. Skub begge ender af det nederste håndtag ind i rillerne på plæneklipperen, og stram derefter fastspændingsskruerne helt til.

► **Fig.4:** 1. Fastspændingsskrue 2. Nederste håndtag

2. Juster skruenhullerne i det øverste og nederste håndtag i forhold til hinanden. Fastgør dem med de fastspændingsskruerne og -møtrikkerne.

► **Fig.5:** 1. Fastspændingsmøtrik  
2. Fastspændingsskrue

**BEMÆRK:** Hold godt fast i det øverste håndtag, så det ikke glider ud af hånden på Dem.

3. Fastgør holderne til håndtaget. Placer strømforsyningsledningen som vist på figuren.

► **Fig.6:** 1. Holder

## Afmontering af komposteringsproppen

### Ekstraudstyr

1. Åbn bagdækslet.

► **Fig.7:** 1. Bagdæksel

2. Hold komposteringsproppen i håndtaget og træk den derefter ud fra plæneklipperens karosseri som vist på figuren.

► **Fig.8:** 1. Komposteringsprop 2. Håndtag

## Montering af græskurven

1. Åbn bagdækslet.

► **Fig.9:** 1. Bagdæksel

2. Sæt krogen på græskurven på stangen på plæneklipperens karosseri som vist i illustrationen.

► **Fig.10:** 1. Krog 2. Stang 3. Græskurve

## Montering af komposteringsproppen

### Ekstraudstyr

1. Åbn bagdækslet, og fjern derefter græskurven.

► **Fig.11:** 1. Bagdæksel 2. Græskurve

2. Hold komposteringsproppen i håndtaget og monter den derefter på plæneklipperens karosseri som vist på figuren.

► **Fig.12:** 1. Komposteringsprop 2. Håndtag

# FUNKTIONSBESKRIVELSE

## Isætning eller fjernelse af akkuen

**⚠ FORSIGTIG:** Sluk altid for maskinen, før du monterer eller fjerner akkuen.

**⚠ FORSIGTIG:** Sørg for, at akku-dækslet er låst inden brugen. Ellers kan mudder, snavs eller vand øve skade på produktet eller akkuen.

**⚠ FORSIGTIG:** Installér altid akkuen helt, så den røde indikator ikke kan ses. Ellers kan den falde ud af maskinen ved et uheld og forårsage personskade på dig eller personer i nærheden.

**⚠ FORSIGTIG:** Installér ikke akkuen med magt. Hvis akkuen ikke glider nemt ind, betyder det, at den ikke sættes korrekt ind.

**BEMÆRK:** Maskinen fungerer ikke med kun én akku.

### Installation af akkuen:

1. Skub låsearmen til akku-dækslet, og åbn akku-dækslet.

► **Fig.13:** 1. Akku-dæksel 2. Låsearm til akku-dæksel

2. Justér tungen på akkuen med stikket på plæneklipperen, og skub derefter akkuen, indtil den låses på plads med et lille klik.

► **Fig.14:** 1. Akku

3. Sæt låsenøglen så langt ind, som den kan komme, på det sted, der vises på illustrationen.

► **Fig.15:** 1. Låsenøgle

4. Luk akku-dækslet, og tryk på det, indtil det går i indgreb med låsearmen.

### Fjernelse af akkuen fra plæneklipperen:

1. Skub låsearmen til akku-dækslet, og åbn akku-dækslet.

2. Træk akkuen ud fra plæneklipperen, mens knappen på forsiden af akkuen skydes i stilling.

3. Træk låsenøglen ud.

4. Luk akku-dækslet.

## Beskyttelsessystem til maskinen/batteriet

Maskinen er udstyret med et beskyttelsessystem til maskinen/batteriet. Systemet afbryder automatisk strømmen til motoren for at forlænge maskinens og batteriets levetid. Maskinen stopper automatisk under brugen, hvis maskinen eller batteriet udsættes for et af følgende forhold.

## Overbelastningsbeskyttelse

Hvis maskinen bruges på en måde, der får den til at trække en unormalt høj strøm, stopper maskinen automatisk uden indikation. Sluk i så fald for maskinen, og stop den anvendelse, der medførte, at maskinen blev overbelastet. Tænd derefter for maskinen for at starte den igen.

## Beskyttelse mod overophedning

Hvis maskinen bliver overophedet, stopper maskinen automatisk. Lad maskinen køle ned, før der tændes for maskinen igen.

## Beskyttelse mod afladning

Hvis batteriladningen bliver lav, stopper maskinen automatisk. Hvis produktet ikke fungerer, selvom afbryderne betjenes, skal du tage batterierne ud af maskinen og lade batterierne op.

### Indikation af den resterende batteriladning

► **Fig.16:** 1. Batteriindikator

Når den resterende batteriladning bliver lav, blinker batteriindikatoren på den anvendelige batteriside. Hvis maskinen bruges yderligere, stopper maskinen, og batteriindikatoren lyser i cirka 10 sekunder. I denne situation skal du oplade akkuen.

### Indikation af den resterende batteriladning

#### Kun til akkuer med indikatoren

► **Fig.17:** 1. Indikatorlamper 2. Kontrolknop

Tryk på kontrolknappen på akkuen for at få vist den resterende batteriladning. Indikatorlampen lyser i nogle sekunder.

Indikatorlamper			Resterende ladning
Tændt	Slukket	Blinker	
■	□	◻	
■ ■ ■ ■			75% til 100%
■ ■ ■ □			50% til 75%
■ ■ □ □			25% til 50%
■ □ □ □			0% til 25%
	◻ □ □ □		Genoplad batteriet.
■ ■ □ □			Der er muligvis fejl i batteriet.
□ □ ■ ■			

**BEMÆRK:** Afhængigt af brugsforholdene og den omgivende temperatur kan indikationen afvige en smule fra den faktiske ladning.

## Afbryderbetjening

**ADVARSEL:** Inden akkuen installeres, skal De altid kontrollere, at afbryderarmen fungerer, som den skal, og returnerer til udgangsstillingen, når den slippes. Anvendelse af en maskine med en afbryder, der ikke fungerer korrekt, kan føre til, at man mister høreredømmet over maskinen med alvorlig personskade som følge.

**BEMÆRK:** Plæneklipperen starter ikke, uden at De trykker på afbryderknappen, selv hvis afbryderarmen trækkes.

**BEMÆRK:** Plæneklipperen starter muligvis ikke pga. overbelastning, hvis De forsøger at slå højt eller tæt græs samtidig. Forøg i så fald klippehøjden.

Denne plæneklipper er udstyret med en blokeringsomskifter og en håndtagsknap. Hvis De bemærker noget usædvanligt med en af disse knapper, skal De straks stoppe anvendelsen og få dem efterset hos nærmeste autoriserede Makita Servicecenter.

1. Installer akkuerne. Sæt låsenøglen ind i blokeringsomskifteren, og luk derefter akku-dækslet.

► **Fig.18:** 1. Akku 2. Låsenøgle

2. Tryk på afbryderknappen, og hold den inde.

3. Tag fat i det øverste håndtag, og træk i afbryderarmen.

► **Fig.19:** 1. Afbryderknap 2. Afbryderarm

4. Frigør afbryderknappen, så snart motoren begynder at køre. Plæneklipperen vil fortsætte med at køre, indtil De slipper afbryderarmen.

5. Slip afbryderarmen for at stoppe motoren.

## Indstilling af klippehøjden

**ADVARSEL:** Stik aldrig en hånd eller et ben ind under plæneklipperen, når De indstiller klippehøjden.

**ADVARSEL:** Sørg altid for, at armen passer ordentligt ind i rillen inden brugen.

Klippehøjden kan indstilles inden for et interval mellem 20 mm og 75 mm.

1. Fjern låsenøglen.

2. Træk justeringsarmen til klippehøjde udad på plæneklipperens karosseri, og flyt den til den ønskede klippehøjde.

► **Fig.20:** 1. Justeringsarm til klippehøjde

**BEMÆRK:** Tallene for klippehøjde må kun bruges som retningslinje. Afhængigt af brugsforholdene på plænen eller jorden kan den faktiske græshøjde afvige en smule i forhold til den indstillede højde.

**BEMÆRK:** Udfør en testklipning på et mindre iøjnefaldende sted for at opnå den ønskede højde.

## Græsniveauidikator

► **Fig.21:** 1. Græsniveauidikator

Græsniveauidikatoren viser mængden af det klippede græs.

- Hvis græskurven ikke er fuld, vil indikatoren bevæge sig under klipningen.
- Hvis græskurven er fuld, vil indikatoren ikke bevæge sig under klipningen. Hold i dette tilfælde straks op med at klippe græsset, og tøm kurven. Når kurven er tømt, skal De rengøre den, således at luften kan slippe ud gennem dens net.

**BEMÆRK:** Denne indikator er en omtrentlig retningslinje. Det er ikke sikkert, at indikatoren fungerer korrekt, det afhænger af forholdene i kurven.

## Brug af komposteringsproppen

### Ekstraudstyr

Med komposteringsproppen kan du returnere det afklippede græs til jorden uden at samle det afklippede græs i græskurven. Når du bruger maskinen sammen med komposteringsproppen, skal du sørge for at fjerne græskurven.

**BEMÆRKNING:** Når maskinen anvendes med komposteringsproppen, skal du sørge for, at den samlede længde af græs efter klipning er 30 mm eller mere, og at klippelængden er 15 mm eller mindre.

► Fig.22: (1) 30 mm eller mere (2) 15 mm eller mindre

## ANVENDELSE

### Klipning

**⚠ ADVARSEL:** Fjern grene og sten fra klipningsområdet inden klipningen. Fjern også på forhånd alt ukrudt fra klipningsområdet.

**⚠ ADVARSEL:** Bær altid beskyttelsesbriller eller sikkerhedsbriller med sideafskærmning, når De anvender plæneklipperen.

**⚠ FORSIGTIG:** Hvis afklippet græs eller et fremmedlegeme sætter sig fast inde i maskinens kabinet, skal De sørge for at fjerne låsenøglen og akkuen og bære handsker, før De fjerner græsset eller fremmedlegemet.

**BEMÆRKNING:** Brug kun denne maskine til at slå græs. Undlad at klippe ukrudt med maskinen.

► Fig.23

Hold godt fast i håndtaget med begge hænder, når De klipper græs.

Retningslinjen for græsklipningshastighed er cirka 1 meter for hver 4 sekunder.

► Fig.24

De udvendige kanter på forhjulene er retningslinjer for klippebredden. Brug de udvendige kanter på forhjulene som retningslinjer og slå græsset i striber. Overlap med halvdelen til en tredjedel af den forrige stribe for at klippe plænen jævnt.

► Fig.25: 1. Klipningsbredde 2. Overlappende område 3. Udvendig kant

Skift klipningsretning hver gang for at forhindre, at græsmønstret kun dannes i én retning.

► Fig.26

Kontrollér regelmæssigt græskurven for bortklippet græs. Tøm græskurven, før den bliver fuld. Inden hver periodisk kontrol skal De sørge for at stoppe plæneklipperen og derefter fjerne låsenøglen og akkuen.

**BEMÆRKNING:** Hvis plæneklipperen anvendes med græskurven fuld, kan der ikke opnås problemfri rotation af bladet, og motoren udsættes for ekstra belastning, hvilket kan føre til sammenbrud.

## Klipning af en plæne med højt græs

Forsøg ikke at klippe langt græs i en enkelt arbejds-gang. Klip i stedet græsset i flere trin. Hold en pause på en dag eller to mellem klipningerne, indtil plænen er ensartet kort.

**BEMÆRK:** Klipning af højt græs til en kort længde i en enkelt arbejds-gang kan bevirke, at græsset dør. Det afklippede græs kan også blokere plæneklipperens indvendige dele.

### Tømning af græskurven

**⚠ ADVARSEL:** For at reducere risikoen for ulykker skal De med jævne mellemrum efterse græskurven for beskadigelse eller forringet styrke. Udskift om nødvendigt græskurven.

1. Frigør afbryderarmen.
2. Fjern låsenøglen.
3. Åbn bagdækslet, og tag græskurven ud ved at holde i håndtaget.

► Fig.27: 1. Bagdæksel 2. Håndtag

4. Tøm græskurven.

## VEDLIGEHOJDELSE

**⚠ ADVARSEL:** Sørg altid for, at låsenøglen og akkuen er fjernet fra plæneklipperen, inden den stilles til opbevaring, eller De bærer plæneklipperen, eller inden De foretager inspektion eller vedligeholdelse.

**⚠ ADVARSEL:** Fjern altid låsenøglen, når plæneklipperen ikke er i brug. Opbevar låsenøglen på et sikkert sted, hvor børn ikke kan få fat i den.

**⚠ ADVARSEL:** Bær altid handsker under udførelse af inspektion eller vedligeholdelse.

**⚠ ADVARSEL:** Bær altid beskyttelsesbriller eller sikkerhedsbriller med sideafskærmning, før De foretager inspektion eller vedligeholdelse.

**BEMÆRKNING:** Anvend aldrig benzin, rensebenzin, fortynder, alkohol og lignende. Det kan medføre misfarvning, deformation eller revner.

For at opretholde produktets SIKKERHED og PÅLIDELIGHED må reparation, vedligeholdelse eller justering kun udføres af et autoriseret Makita servicecenter eller fabrikksservicecenter med anvendelse af Makita reservedele.

### Vedligeholdelse

1. Fjern låsenøglen. Anbring den på et sikkert sted, hvor børn ikke kan få fat i den.
2. Rengør kun plæneklipperen med en fugtig klud. Lad være med at sprøjte eller hælde vand på plæneklipperen, når den rengøres.
3. Læg plæneklipperen på siden, og fjern græsafklip, der har samlet sig på undersiden af klippeskiven.

4. Kontrollér, at alle møtrikker, bolte, knapper, skruer, fastgøringsanordninger osv. er strammet.

5. Inspicér de bevægelige dele for beskadigelse, brud og slitage. Beskadigede eller manglende dele skal repareres eller udskiftes.

## Opbevaring

**⚠ ADVARSEL:** Når De bærer eller opbevarer plæneklipperen, skal De ikke holde i de foldede håndtag, men i det forreste greb på plæneklipperen. Hvis De holder i de foldede håndtag, kan det medføre alvorlig personskade eller beskadigelse af plæneklipperen.

Inden plæneklipperen stilles til opbevaring, skal du fjerne akkuen og låsenøglen.

Opbevar plæneklipperen indendørs på et køligt, tørt og aflåst sted. Opbevar ikke plæneklipperen og opladeren på steder, hvor temperaturen kan komme op på eller overstige 40 °C.

► **Fig.28:** 1. Forreste greb 2. Bageste greb

1. Løsn fastspændingsskruerne, og træk det nederste håndtag ud til begge sider. Flyt håndtaget nedad og fremad. Hold på dette tidspunkt godt fast i det nederste håndtag, så det ikke falder ned til den fjerne side fra plæneklipperens karosseri.

► **Fig.29:** 1. Fastspændingsskrue 2. Nederste håndtag

2. Løsn fastspændingsmøtrikkerne, og drej det øverste håndtag tilbage, idet der udvides i begge sider.

► **Fig.30:** 1. Fastspændingsmøtrik 2. Øverste håndtag

3. Opbevar græskurven mellem håndtaget og plæneklipperens karosseri.

► **Fig.31:** 1. Græskurve

**BEMÆRK:** Når plæneklipperen stilles i oprejst position, må De ikke holde i håndtaget, men i det forreste greb på plæneklipperen.

## Afmontering eller montering af plæneklipperbladet

**⚠ ADVARSEL:** Fjern altid låsenøglen og akkuen, når bladet afmonteres eller monteres. Forsømmelse af at fjerne låsenøglen og akkuen kan medføre alvorlig personskade.

**⚠ ADVARSEL:** Bladet drejer rundt i et par sekunder, efter at afbryderen er frigjort. Undlad at starte nogen betjening, før bladet er standset helt.

**⚠ ADVARSEL:** Brug altid handsker, når De håndterer bladet.

## Fjernelse af plæneklipperbladet

### For DLM382

1. Læg plæneklipperen på siden, så justeringsarmen til klippehøjden er på oversiden.

2. For at låse bladets rotation indsættes en skrue-trækker eller et lignende værktøj ind i et hul på plæneklipperens karosseri.

3. Drej boltene i retningen mod uret med topnøglen.

► **Fig.32:** 1. Plæneklipperblad 2. Skrue-trækker 3. Topnøgle

4. Fjern boltene og bladet i denne rækkefølge.

► **Fig.33:** 1. Bladunderstøtelse 2. Plæneklipperblad 3. Bolt

### For DLM432

1. Læg plæneklipperen på siden, så justeringsarmen til klippehøjden er på oversiden.

2. For at låse bladets rotation indsættes en skrue-trækker eller et lignende værktøj ind i et hul på plæneklipperens karosseri.

3. Drej boltene i retningen mod uret med topnøglen.

► **Fig.34:** 1. Plæneklipperblad 2. Skrue-trækker 3. Topnøgle

4. Fjern boltene, den udvendige flange, plæneklipperbladet og den indvendige flange i denne rækkefølge.

► **Fig.35:** 1. Indvendig flange 2. Plæneklipperblad 3. Udvendig flange 4. Bolt

## Montering af plæneklipperbladet

For at installere plæneklipperbladet skal De udføre proceduren for afmontering i modsat rækkefølge.

**⚠ ADVARSEL:** Monter plæneklipperbladet med forsigtighed. Det har en øverste og nederste flade. Anbring bladet, så bladsiden med rotationsretningsspil vender udad.

**⚠ ADVARSEL:** Stram boltene godt til i retningen mod uret for at fastgøre bladet.

**⚠ ADVARSEL:** Sørg for, at plæneklipperbladet og alle fastgøringsdelene er monteret korrekt og strammet godt til.

**⚠ ADVARSEL:** Følg altid instruktionerne i denne brugsanvisning, når De udskifter bladene.

# FEJLFINDING

Udfør selv en inspektion, inden De anmoder om reparation. Hvis De opdager et problem, som ikke er forklaret i brugsanvisningen, må De ikke forsøge at adskille maskinen. Rådfør Dem i stedet med et autoriseret Makita Servicecenter, og brug altid originale Makita udskiftningsdele til reparationer.

Unormal tilstand	Sandsynlig årsag (fej)l	Afhjælpning
Plæneklipperen starter ikke.	Der er ikke installeret to akkuer.	Installér de opladte akkuer.
	Akku-problem (underspænding)	Genoplad akkuen. Udskift akkuen, hvis genopladningen ikke er effektiv.
	Låsenøglen er ikke sat i.	Sæt låsenøglen i.
Motoren stopper efter kort tids brug.	Akkuens ladeniveau er lavt.	Genoplad akkuen. Udskift akkuen, hvis genopladningen ikke er effektiv.
	Klippehøjden er for lav.	Førøg klippehøjden.
Maks. antal omdrejninger pr. minut (RPM) nås ikke.	Akkuen er ikke sat ordentligt i.	Installér akkuen som beskrevet i denne brugsanvisning.
	Akkuens effekt mindskes.	Genoplad akkuen. Udskift akkuen, hvis genopladningen ikke er effektiv.
	Drivsystemet fungerer ikke korrekt.	Få et lokalt, autoriseret servicecenter til at reparere det.
Plæneklipperbladet roterer ikke: ⇒ Stop øjeblikkeligt plæneklipperen!	Et fremmedlegeme, f.eks. en gren, har sat sig fast i nærheden af bladet.	Fjern fremmedlegemet.
	Drivsystemet fungerer ikke korrekt.	Få et lokalt, autoriseret servicecenter til at reparere det.
Unormal vibration: ⇒ Stop øjeblikkeligt plæneklipperen!	Bladet er ubalanceret, ekstremt eller uensartet slid.	Skift bladet ud med et nyt.

## EKSTRAUDSTYR

**⚠ FORSIGTIG:** Det følgende tilbehør og ekstraudstyr er anbefalet til brug med Deres Makita maskine, der er beskrevet i denne brugsanvisning. Anvendelse af andet tilbehør eller ekstraudstyr kan udgøre en risiko for personskade. Anvend kun tilbehør og ekstraudstyr til det beskrevne formål.

Hvis De behøver hjælp ved valg af tilbehør eller ønsker yderligere informationer, bedes De kontakte Deres lokale Makita servicecenter.

- Plæneklipperblad
- Komposteringsprop
- Original Makita akku og oplader

**BEMÆRK:** Nogle ting på denne liste kan være inkluderet i værktøjspakken som standardtilbehør. Det kan være forskellige fra land til land.



## SPECIFIKĀCIJAS

Modelis:	DLM382	DLM432	
Plaušanas platums (asmens diametrs)	380 mm	430 mm	
Ātrums bez slodzes	3 700 min <sup>-1</sup>	3 600 min <sup>-1</sup>	
Rezerves plaušanas asmens daļas numurs	191D41-2	191D43-8	
Izmēri (G x P x A)	ekspluatācijas laikā	G: no 1 380 mm līdz 1 410 mm P: 450 mm A: no 985 mm līdz 1 005 mm	G: 1 435–1 490 mm P: 460 mm A: 1 005–1 045 mm
	glabāšanas laikā (bez zāles groza)	860 mm x 450 mm x 475 mm	865 mm x 460 mm x 475 mm
Nominālais spriegums	Līdzstrāva 36 V		
Neto svars	15,0 - 16,5 kg	15,4 – 17,1 kg	

- Nepārtrauktās izpētes un izstrādes programmas dēļ šeit uzrādītās specifikācijas var tikt mainītas bez brīdinājuma.
- Atkarībā no valsts specifikācijas var atšķirties.
- Svārs var būt atšķirīgs atkarībā no papildierīces(-ēm), tostarp akumulatora kasetnes. Tabulā ir attēlota viēglākā un smagākā kombinācija atbilstoši EPTA procedūrai 01/2014.

## Piemērotā akumulatora kasetne un lādētājs

Akumulatora kasetne	BL1815N / BL1820 / BL1820B / BL1830 / BL1830B / BL1840 / BL1840B / BL1850 / BL1850B / BL1860B
Lādētājs	DC18RC / DC18RD / DC18RE / DC18SD / DC18SE / DC18SF / DC18SH







- Daži no iepriekš norādītajiem lādētājiem un akumulatora kasetnēm var nebūt pieejami atkarībā no jūsu mītnes reģiona.

**⚠ BRĪDINĀJUMS:** Izmantojiet vienīgi iepriekš norādītās akumulatora kasetnes un lādētājus. Cita tipa akumulatora kasetņu un lādētāju izmantošana var radīt traumu un/vai aizdegšanās risku.

**⚠ BRĪDINĀJUMS:** Ar šo darbarīku neizmantojiet strāvas apgādi, kas pievienota ar vadu, piemēram, akumulatora adapteri vai pārnēsājamu barošanas bloku. Šāda veida strāvas apgādes ierīces strāvas vads var traucēt darbību, tādējādi izraisot traumas.

## Simboli

Tālāk ir attēloti simboli, kas var attiekties uz darbarīka lietošanu. Pirms darbarīka izmantošanas pārliecinieties, vai pareizi izprotat to nozīmi.

	Esiet īpaši rūpīgs un uzmanīgs.
	Izlasiet lietošanas rokasgrāmatu.
	Bīstami! Sargieties no izsviestiem priekšmetiem.
	Attālumam starp darbarīku un apkārtējiem jābūt vismaz 15 m.
	Netuviniet rokas un kājas asmeņiem zem plaušanas. Asmeņi turpina griezties arī pēc motora izslēgšanas.
	Pirms plaušanas pārbaudes, regulēšanas, tīrīšanas, apkopes, atstāšanas bez uzraudzības un uzglabāšanas izņemiet bloķēšanas atslēgu.



Ni-MH  
Li-ion

Tikai ES valstīm  
Neizmetiet elektroiekārtas vai akumulatoru māsaimniecības atkritumos!  
Saskaņā ar Eiropas direktīvu par elektrisko un elektronisko iekārtu atkritumiem, kā arī par baterijām un akumulatoriem, un bateriju un akumulatoru atkritumiem un to īstenošanu saskaņā ar valsts likumdošanu lietotais elektriskais aprīkojums, baterijas un akumulators kalpošanas laika beigās jāsavāc atsevišķi un jānogādā atbilstošajai pārstrādei vidi saudzējošā veidā.

## Paredzētā lietošana

Šī mašina ir paredzēta zāles plaušanai.

## Trokšņa līmenis

Tipiskais A svērtais trokšņa līmenis noteikts saskaņā ar EN60335-2-77:

### Modelis DLM382

Skaņas spiediena līmeni ( $L_{pA}$ ): 81 dB (A)

Skaņas jaudas līmeni ( $L_{WA}$ ): 91 dB (A)

Mainīgums (K): 3 dB (A)

### Modelis DLM432

Skaņas spiediena līmeni ( $L_{pA}$ ): 81 dB (A)

Skaņas jaudas līmeni ( $L_{WA}$ ): 92 dB (A)

Mainīgums (K): 3 dB (A)

**PIEZĪME:** Paziņotā trokšņa emisijas vērtība noteikta atbilstoši standarta pārbaudes metodei, un to var izmantot, lai salīdzinātu vienu darbarīku ar citu.

**PIEZĪME:** Paziņoto trokšņa emisijas vērtību arī var izmantot iedarbības sākotnējā novērtējumā.

**▲BRĪDINĀJUMS:** Lietojiet ausu aizsargus.

**▲BRĪDINĀJUMS:** Trokšņa emisija patiesos darba apstākļos var atšķirties no paziņotās vērtības atkarībā no darbarīka izmantošanas veida un jo īpaši atkarībā no apstrādājamā materiāla veida.

**▲BRĪDINĀJUMS:** Lai aizsargātu lietotāju, nosakiet drošības pasākumus, kas pamatoti ar iedarbību reālos darba apstākļos (ņemot vērā visus ekspluatācijas cikla posmus, piemēram, laiku, kamēr darbarīks ir izslēgts un kad darbojas tukšgaitā, kā arī palaides laiku).

## Vibrācija

Vibrācijas kopējā vērtība (trīsasu vektora summa) noteikta atbilstoši EN60335-2-77:

### Modelis DLM382

Vibrācijas izmēte ( $a_h$ ): 2,5 m/s<sup>2</sup> vai mazāk

Mainīgums (K): 2,0 m/s<sup>2</sup>

### Modelis DLM432

Vibrācijas izmēte ( $a_h$ ): 2,5 m/s<sup>2</sup> vai mazāk

Mainīgums (K): 1,5 m/s<sup>2</sup>

**PIEZĪME:** Paziņotā kopējā vibrācijas vērtība noteikta atbilstoši standarta pārbaudes metodei, un to var izmantot, lai salīdzinātu vienu darbarīku ar citu.

**PIEZĪME:** Paziņoto kopējo vibrācijas vērtību arī var izmantot iedarbības sākotnējā novērtējumā.

**▲BRĪDINĀJUMS:** Vibrācijas emisija patiesos darba apstākļos var atšķirties no paziņotās vērtības atkarībā no darbarīka izmantošanas veida un jo īpaši atkarībā no apstrādājamā materiāla veida.

**▲BRĪDINĀJUMS:** Lai aizsargātu lietotāju, nosakiet drošības pasākumus, kas pamatoti ar iedarbību reālos darba apstākļos (ņemot vērā visus ekspluatācijas cikla posmus, piemēram, laiku, kamēr darbarīks ir izslēgts un kad darbojas tukšgaitā, kā arī palaides laiku).

## EK atbilstības deklarācija

### Tikai Eiropas valstīm

EK atbilstības deklarācija šajā lietošanas rokasgrāmatā ir iekļauta kā A pielikums.

## DROŠĪBAS BRĪDINĀJUMI

### SVARĪGI DROŠĪBAS NOTEIKUMI

**▲BRĪDINĀJUMS:** Izlasiet visus drošības brīdinājumus un visus norādījumus. Brīdinājumu un norādījumu neievērošanas gadījumā var rasties elektriskās strāvas trieciens, ugunsgrēks un/vai nopietnas traumas.

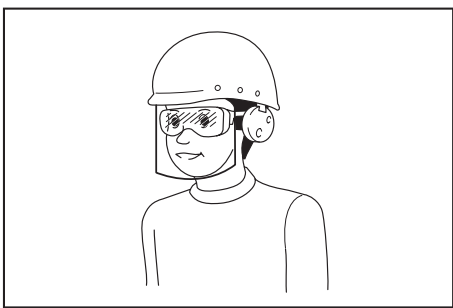
## Glabājiet visus brīdinājumus un norādījumus, lai varētu tajos ieskatīties turpmāk.

### Apmācība

1. Uzmanīgi izlasiet norādījumus. Izprotiet plaujmašīnas vadības funkcijas un pareizas izmantošanas instrukcijas.
2. Nekādā gadījumā nepieļaujiet, ka zāles plaujmašīnu izmanto bērni vai cilvēki, kas nepārzina šos norādījumus plaujmašīnas izmantošanai. Vietējie noteikumi var ierobežot lietotāja vecumu.
3. Nekādā gadījumā nestrādājiet ar plaujmašīnu, ja tuvumā ir cilvēki (īpaši bērni) vai dzīvnieki.
4. Nemiet vērā, ka operators vai lietotājs ir atbildīgs par negadījumiem vai apdraudējumu, kas radīts citiem cilvēkiem vai to īpašumam.
5. Bērni ir jāuzrauga, lai tie nerotāļtos ar plaujmašīnu.
6. Fiziskais stāvoklis — nedarbiniet plaujmašīnu, ja esat narkotiku, alkohola vai zāļu ietekmē.

### Sagatavošanās

1. Izmantojot plaujmašīnu, vienmēr valkājiet izturīgus apavus un garās bikses. Nelietojiet plaujmašīnu, ja kājas ir basas vai valkājat atvērtas sandales. Nevalkājiet apģērbu vai rotaslietas, kas ir vaļīgas vai kam ir auklas vai saites. Tās var ieķerties kustīgajās daļās.
2. Pirms lietošanas vienmēr pārbaudiet, vai plaujmašīnas aizsargi vai vairogi nav bojāti, pazuduši vai uzstādīti nepareizi.
3. Pirms plaušanas pārbaudiet, vai darba zonā nav citu cilvēku. Apturiet plaujmašīnu, ja kāds ienāk darba zonā.
4. Neievietojiet atslēgu plaujmašīnā, ja tā nav gatava izmantošanai.
5. Kad izmantojat mehāniskos darbarīkus, vienmēr valkājiet aizsargbrilles, lai pasargātu acis. Aizsargbrillēm jāatbilst šādiem standartiem: ANSI Z87.1 ASV, EN 166 Eiropā un AS/NZS 1336 Austrālijā/Jaunzēlandē. Austrālijā/Jaunzēlandē ar likumu noteikts, ka darba laikā jāizmanto arī sejsargs.



Darba devējam ir jānodrošina tas, lai darbarīka operatori un citas tiesajā darba vietā esošās personas izmantotu vajadzīgo aizsargaprīkojumu.

6. Pirms ekspluatācijas rūpīgi pārbaudiet, vai asmeņiem vai asmeņu buļtskrūvēm nav plaisu vai bojājumu. Iepazīstieties ar asmeņu buļtskrūvēs nekavējoties nomainiet.
7. Pirms pļaušanas attīriet darba zonu no svešķermeņiem, piemēram, akmeņiem, stieplēm, pudelēm, kauliem un lieliem zariem, lai nevienu netraumētu un nesabojātu pļaujmašīnu.
8. Pļaujmašīnas asmens aizķertie priekšmeti var izraisīt smagas traumas. Pirms pļaušanas vienmēr rūpīgi pārbaudiet, vai zālienā nav svešķermeņu.
9. Uzmanieties no bedrēm, grambām, uzkalniņiem, akmeņiem un grūti pamanāmiem priekšmetiem. Strādājot uz nelīdzenas virsmas, varat paslīdēt un nokrist, tādējādi gūstot traumas. Garā zālē var būt grūti pamanāmi šķēršļi.

#### Ekspluatācija

1. Nesniedzieties pārāk tālu. Vienmēr saglabājiet līdzsvaru. Strādājot nogāzē, raugieties, lai kāju atbalsts būtu stabils. Pārvietojieties ejot, nekad neskrīniet.
2. Apturiet pļaujmašīnu, izņemiet bloķēšanas atslēgu un pārliecinieties, ka visas kustīgās daļas ir pilnībā apstājušās:
  - ja atstājat pļaujmašīnu bez uzraudzības;
  - pirms nosprostojumu tīrīšanas vai izlaides teknes tīrīšanas;
  - pirms pļaujmašīnas pārbaudīšanas, tīrīšanas vai remontēšanas;
  - pēc sadursmes ar kādu priekšmetu.Pārbaudiet, vai pļaujmašīnai nav bojājumu un pirms pļaujmašīnas atkārtotas iedarbināšanas un lietošanas veiciet remontu;
  - ja pļaujmašīna sāk neparasti vibrēt.
3. Nekādā gadījumā nelietojiet pļaujmašīnu, ja bojāti tās aizsargi vai vairogi vai ja nav uzstādītas drošības ierīces, piemēram, deflektori un/ vai zāles grozs.
4. Neizmantojiet pļaujmašīnu sliktos laikapstākļos, jo īpaši laikā, kad iespējams zibens.
5. Strādājot ar pļaujmašīnu, vienmēr izmantojiet acu aizsarglīdzekļus un valkājiet izturīgus apavus.
6. Pļaujmašīnu izmantojiet tikai dienas gaismā vai labā mākslīgajā apgaismojumā.

7. Pļaujmašīnu iedarbinot uzmanīgi saskaņā ar norādījumiem un netuvinot pēdas asmeņim(-ņiem).
8. Uzmanieties, lai pļaujmašīnas asmens nesavinātu jūsu kājas un rokas.
9. Vienmēr nodrošiniet, lai ventilācijas atverēs nebūtu netīrumu.
10. Pļaujiet slīpi pāri nogāzei, nekad nepļaujiet uz augšu vai uz leju. Mainot virzienu nogāzēs, uzmanieties īpaši. Nepļaujiet pārāk stāvas nogāzēs.
11. Īpaši uzmanieties, strādājot atpakaļgaitā vai velkot pļaujmašīnu pie sevis.
12. Apturiet asmeņi(-ņus), ja pļaujmašīna ir jāsasver, pārvietojot vai šķērsojot virsmu, kas nav zāle, kā arī pārvietojot pļaujmašīnu uz pļaušanas vietu un no tās.
13. Iedarbinot motoru, nesasveriet pļaujmašīnu, ja vien tas nav jādarā, lai tā sāktu darboties. Šādā gadījumā sasveriet to ne vairāk, kā nepieciešams, un paceliet tikai to daļu, kas nav lietotāja tuvumā. Pirms pļaujmašīnas novietošanas atpakaļ uz zemes, vienmēr pārliecinieties, ka abas rokas atrodas darba pozīcijā.
14. Plaukstas vai pēdas nelieciet rotējošo detaļu tuvumā vai zem tām. Nekad nestāviet izvades atvēruma tuvumā.
15. Netransportējiet pļaujmašīnu, ja tā ir ieslēgta.
16. Nelietojiet pļaujmašīnu mitrā zālē.
17. Nelietojiet pļaujmašīnu lietū.
18. Rokturi vienmēr turiet cieši.
19. Paceļot vai turot pļaujmašīnu, nesatveriet to aiz asmeņiem.
20. Rokas un kājas netuviniet rotējošiem asmeņiem. Uzmanību! Asmeņi turpina griezties arī pēc pļaujmašīnas izslēgšanas.
21. Ja ievērojot ko neparastu, nekavējoties pārtrauciet darbu. Izslēdziet pļaujmašīnu un izņemiet bloķēšanas atslēgu. Pēc tam pārbaudiet pļaujmašīnu.
22. Ja pļaujmašīnai ir griešanas augstuma regulēšanas funkcija, nekad nemēģiniet regulēt griešanas augstumu, kamēr pļaujmašīna darbojas.
23. Pirms piebraucamo ceļu, taku, ceļu un ar granti klātu vietu šķērsošanas atlaidiet slēdža sviru un ļaujiet asmeņim apstāties. Izņemiet arī atslēgu, ja atstājat pļaujmašīnu, sniedzaties kaut ko pacelt vai cenšaties noņemt kādu šķērslī, kā arī citu apstākļu gadījumā, kas neļauj pilnībā koncentrēties veicamajam darbam.
24. Ja pļaujmašīna trāpa kādam objektam, rīkojieties šādi:
  - Apturiet pļaujmašīnu, atlaidiet slēdža sviru un uzgaidiet, līdz asmens pilnībā apstājas.
  - Izņemiet atslēgu un akumulatora kasetni.
  - Rūpīgi pārbaudiet, vai pļaujmašīnai nav bojājumu.
  - Nomainiet asmeņi, ja tas ir bojāts. Bojājumu novērsiet pirms pļaujmašīnas atkārtotas iedarbināšanas un turpināšanas.
25. Neiedarbiniet pļaujmašīnu, ja stāvat pretī izvades atvērimumam.

26. Ja pļaujmašīna sāk neparasti vibrēt (nekavājoties pārbaudiet)
  - pārbaudiet, vai nav bojājumu;
  - nomainiet vai saremontējiet bojātas daļas;
  - pārbaudiet un pieskrūvējiet vajīgas detaļas.
27. Nekad nevērsiet izvadīto materiālu pret citiem cilvēkiem. Materiālu nedrīkst izvadīt pret sienu vai kādu citu šķērslī. Materiāls pēc rikošeta var lidot operatora virzienā. Šķērsojot akmeņainas virsmas, apstādiniet asmeni.
28. Nevelciet pļaujmašīnu atpakaļgaitā, ja vien tas nav absolūti nepieciešams. Ja esat spiests vīlēt pļaujmašīnu atpakaļgaitā prom no žoga vai cita šķēršļa, vispirms un arī kustības laikā skatieties uz leju un aizmuguri.
29. Pirms zāles uztvērēja izņemšanas izslēdziet motoru un uzgaidiet, līdz asmens ir pilnībā apstājies. Ņemiet vērā, ka asmens pēc izslēgšanas turpina kustēties inerces dēļ.

#### Apkope un uzglabāšana

1. Drošības nolūkā nomainiet nodilušas vai nolietotas daļas. Izmantojiet tikai oriģinālās rezerves daļas un piederumus.
2. Regulāri pārbaudiet pļaujmašīnu un veiciet tās apkopi.
3. Kad pļaujmašīnu neizmantojat, glabājiet to bērniem nepieejamā vietā.
4. Visus uzgriežņus, bultskrūves un skrūves uzturiet cieši pievilkta, lai aprikojums uzvien būtu drošā darba stāvoklī.
5. Regulāri pārbaudiet, vai zāles grozs nav nodilis vai nolietojies. Kad ierīci liekat glabāšanā, pārbaudiet, vai zāles grozs ir tukšs. Nodilušu zāles grozu drošības nolūkā nomainiet pret jaunu rūpnīcas rezerves grozu.
6. Izmantojiet tikai šajā rokasgrāmatā norādītos ražotāja oriģinālos asmeņus.
7. Uzmaniēties, regulējot pļaujmašīnu, lai pirksti neiesprūstu starp ierīces kustīgajiem asmeņiem un fiksētajām daļām.
8. Nemazgājiet pļaujmašīnu ar šļūteni; neļaujiet ūdenim iekļūt motorā un elektriskajos savienojumos.
9. Bieži pārbaudiet, vai stiprinājuma skrūve pievilka pietiekami cieši.
10. Pirms novietošanas glabātavā ļaujiet pļaujmašīnai atdzist.
11. Veicot asmeņu apkopi, ņemiet vērā, ka, lai gan barošanas avots ir izslēgts, asmeņus joprojām var pārvietot.
12. Nekad neizņemiet un neaiztieciat drošības ierīces. Regulāri pārbaudiet, vai tās darbojas pareizi. Nekad neveiciet darbības, kas varētu traucēt drošības ierīces darbību vai samazināt aizsardzību, ko sniedz drošības ierīce.

#### Bezvada darbarīka lietošana un apkope

1. Uzlādei izmantojiet tikai ražotāja norādītos lādētājus. Vienam akumulatoru tipam paredzēta uzlādētāja izmantošana cita tipa akumulatoru uzlādei var radīt aizdegšanās bīstamību.
2. Izmantojiet mehānizētos darbarīkus tikai ar paredzētajiem akumulatoriem. Jebkura cita tipa akumulatoru izmantošana var radīt traumu un aizdegšanās bīstamību.

3. Kāmēr akumulators netiek izmantots, neturiet to blakus metāla priekšmetiem, piemēram, saspraudēm, monētām, atslēgām, naglām, skrūvēm un citiem nelieliem metāla priekšmetiem, kas var savienot izvadus. Akumulatora spaiļu īssavienojums var izraisīt apdegumus vai aizdegšanos.
4. Nepareizas lietošanas gadījumā no akumulatora var iztect šķidrums, nepieskarieties tam. Ja nejausi pieskārties šķidrumam, noskalojiet skarto vietu ar ūdeni. Ja šķidrums nokļūst acīs, papildus iepriekš minētajam, vērsieties pie ārsta. No akumulatora iztecejušais šķidrums var izraisīt kairinājumu vai apdegumus.
5. Ja akumulatora bloks vai darbarīks ir bojāts vai pārveidots, nelietojiet to. Bojāti vai pārveidoti akumulatori var darboties nepareizi, izraisot aizdegšanos, sprādzieni vai traumu.
6. Akumulatora bloku un darbarīku nepakļaujiet uguns un pārmērīgi augstas temperatūras ietekmei. Ja akumulatora bloks vai darbarīks tiek pakļauts uguns vai par 130 °C augstākas temperatūras iedarbībai, var notikt sprādziens.
7. Izpildiet visus uzlādes norādījumus un neuzlādējiet akumulatora bloku ārpus norādītajam noteiktā temperatūras diapazona. Nepareiza uzlāde vai temperatūra, kas ir ārpus noteiktā diapazona, var sabojāt akumulatoru un palielināt aizdegšanās draudus.

#### Elektrodrošība un akumulatora drošība

1. Neatbrīvojieties no akumulatora(-iem), to(-s) dedzinot. Var rasties eksplozija. Skatiet attiecīgos valsts noteikumus, lai uzzinātu īpašus norādījumus izmešanai atkritumos.
2. Akumulatoru(-s) nedrīkst atvērt vai sabojāt. Iztecejušais elektrolīts ir kodīgs un var nodarīt kaitējumu acīm vai ādai. Norijot tas var būt toksisks.
3. Nelādējiet akumulatoru lietū vai mitrās vietās.
4. Nelādējiet akumulatoru ārpus telpām.
5. Neaiztieciat lādētāju, kā arī lādētāja spraudni vai spaiļes ar slapjām rokām.

#### Apkope

1. Uztiect sava elektriskā darbarīka apkopi kvalificētam remontstrādniekam, izmantojiet tikai identiskas rezerves daļas. Tas garantēs to, ka elektriskā darbarīka drošības pakāpe nesamazināsies.
2. Nekādā gadījumā nelietojiet bojātus akumulatora blokus. Akumulatora bloka apkopi drīkst veikt tikai to ražotājs vai pilnvaroti apkopes centri.

## SAGLABĀJIET ŠOS NORĀDĪJUMUS.

**⚠BRĪDINĀJUMS: NEPIELĀUJIET** to, ka labu iemaņu vai izstrādājuma labas pārzināšanas (darbarīku atkārtoti ekspluatējot) rezultātā vairs stingri neievērojat šī izstrādājuma drošības noteikumus.

**NEPAREIZI LIETOJOT** darbarīku vai neievērojot šajā instrukcijā rokasgrāmatā minētos drošības noteikumus, var tikt gūtas smagas traumas.

## Svarīgi drošādījumi par akumulatora kasetni

1. Pirms akumulatora lietošanas izlasiet visus norādījumus un brīdinājumus, kuri attiecas uz (1) akumulatora lādētāju, (2) akumulatoru un (3) ierīci, kurā tiek izmantoti akumulatori.
2. Akumulatora kasetni nedrīkst ne pārveidot, ne izjaukt. Citādi var tikt izraisīta aizdegšanās, pārmērīgs karstums vai sprādziens.
3. Ja akumulatora darbības laiks kļuva ievērojami īsāks, nekavējoties pārtrauciet to izmantot. Citādi, tas var izraisīt pārkarsējumu, uzliesmojumu vai pat sprādzienu.
4. Ja elektrolīts nonāk acīs, izskalojiet tās ar tīru ūdens un nekavējoties griežieties pie ārsta. Tas var izraisīt redzes zaudēšanu.

5. Neradiet īssavienojumu akumulatora kasetnē:

- (1) Nepieskarieties spaiļiem ar elektrību vadošiem materiāliem.
- (2) Neuzglabājiet akumulatoru kasetni kopā ar citiem metāla priekšmetiem, tādiem kā naglas, monētas u. c.
- (3) Nepakļaujiet akumulatora kasetni ūdens vai lietus iedarbībai.

Akumulatora īssavienojums var radīt spēcīgu strāvas plūsmu, pārkaršanu, uzliesmojumu un pat sabojāt akumulatoru.

6. Neglabājiet un neizmantojiet darbarīku un akumulatora kasetni vietās, kur temperatūra var sasniegt vai pārsniegt 50 °C (122 °F).
7. Nededziniet akumulatora kasetni, pat ja tā ir stipri bojāta vai pilnībā nolietota. Akumulatora kasetne ugunī var eksplodēt.
8. Akumulatora kasetni nedrīkst naglot, griezt, saspīest, mest vai nomest, kā arī pa to nedrīkst sist ar cietu priekšmetu. Šādas darbības var izraisīt aizdegšanos, pārmērīgu karstumu vai sprādzienu.
9. Neizmantojiet bojātu akumulatoru.
10. Uz izmantotajiem litija jonu akumulatoriem attiecas likumdošanas prasības par bīstamiem izstrādājumiem.

Komerציālā transportēšanā, ko veic, piemēram, trešās puses, transporta uzņēmumi, jāievēro uz iesaiņojuma un marķējuma norādītās īpašās prasības.

Lai izstrādājumu sagatavotu nosūtīšanai, jāsažinās ar bīstamo materiālu speciālistu. Ievērojiet arī citus attiecināmos valsts normatīvus. Vajējus kontaktus nosedziet ar līmlenti vai citādi pārklājiet, bet akumulatoru iesaiņojiet tā, lai sainītas nevarētu izkustēties.

11. Lai utilizētu akumulatora kasetni, izņemiet to no darbarīka un likvidējiet drošā vietā. Ievērojiet vietējos noteikumus par akumulatora likvidēšanu.
12. Izmantojiet šos akumulatorus tikai ar izstrādājumiem, kurus norādījis Makita. Ievietojot šos akumulatorus nesaderīgos izstrādājumos, var rasties ugunsgrēks, pārmērīgs karstums, tie var uzsprāgt vai no tiem var iztect elektrolīts.
13. Ja darbarīks netiks lietots ilgu laiku, no tā jāizņem akumulators.

14. Lietošanas laikā vai pēc tās akumulatore kasetne var uzkrāt siltumu, kas var izraisīt apdegumus vai zemas temperatūras apdegumus. Ar karstu akumulatore kasetni apejieties rūpīgi.
15. Nepieskarieties darbarīka izvadām uzreiz pēc lietošanas, jo tas var būt sakarsis un izraisīt apdegumus.
16. Neļaujiet akumulatore kasetnes izvadā, atverēs un rievās uzkrāties skaidām, putekļiem vai augsnei. Tādējādi darbarīks vai akumulatore kasetne var sākt darboties nekalitatīvi vai tikt sabojāti.
17. Neizmantojiet akumulatore kasetni augstsprieguma līniju tuvumā, izņemot gadījumus, kad darbarīks ir piemērots lietošanai augstsprieguma līniju tuvumā. Citādi darbarīks vai akumulatore kasetne var sākt darboties nepareizi vai tikt sabojāti.
18. Glabājiet akumulatore kasetni bērniem nepieejamā vietā.

## SAGLABĀJIET ŠOS NORĀDĪJUMUS.

**▲UZMANĪBU:** Lietojiet tikai oriģinālos Makita akumulatorus. Ja lietojat neoriģinālus Makita akumulatorus vai pārveidotus akumulatorus, tie var uzsprāgt un izraisīt aizdegšanos, traumas un materiālos zaudējumus. Tiks anulēta arī Makita darbarīka un lādētāja garantija.

## Ieteikumi akumulatore kalpošanas laika pagarināšanai

1. Uzlādējiet akumulatore kasetni, pirms tā ir pilnībā izlādējusies. Vienmēr, kad ievērojāt, ka darbarīka darba jauda zudusi, apturiet darbarīku un uzlādējiet akumulatore kasetni.
2. Nekad neuzlādējiet pilnībā uzlādētu akumulatore kasetni. Pārmērīga uzlāde saīsina akumulatore kalpošanas laiku.
3. Uzlādējiet akumulatore kasetni istabas temperatūrā 10 °C - 40 °C. Karstai akumulatore kasetnei pirms uzlādes ļaujiet atdzist.
4. Kad akumulatore kasetne netiek izmantota, izņemiet to no darbarīka vai lādētāja.
5. Uzlādējiet litija jonu akumulatore kasetni, ja to ilgstoši nelietosit (vairāk nekā sešus mēnešus).

## MONTĀŽA

**▲BRĪDINĀJUMS:** Pirms darbošanās ap plaujmašīnu vienmēr pārbaudiet, vai bloķēšanas atslēga un akumulatore kasetne ir izņemta. Ja bloķēšanas atslēga un akumulatore kasetne neizņem, tad, plaujmašīnai nejausi ieslēdzoties, var gūt smagas traumas.

**▲BRĪDINĀJUMS:** Neieslēdziet plaujmašīnu, ja tā nav pilnībā salikta. Nejausi ieslēdzot daļēji saliktu plaujmašīnu, var gūt smagas traumas.

## Akumulatora vāka uzstādīšana

**⚠ BRĪDINĀJUMS:** Bloķēšanas atslēgu un akumulatora kasetni neievietojiet pirms akumulatora vāka uzstādīšanas. Neievērojot šo nosacījumu, var gūt smagas traumas.

Pirms plaujmašīnas lietošanas pilnībā uzstādi akumulatora vāku. Akumulatora vāks plaujmašīnu un akumulatora kasetni aizsargā pret dubļiem, netīrumiem un ūdeni.

1. Novietojiet akumulatora pārsegu uz plaujmašīnas tā, lai tā izvīzījumi savietotos ar akumulatora pārsega caurumiem.  
▶ **Att.1:** 1. Izvīzījums 2. Atvere 3. Akumulatora vāks

2. Akumulatora vāka vidū uzlieciet plaukstas un piespiediet vāku.  
▶ **Att.2**

3. Pirms pirmās lietošanas reizes pārbaudiet, vai akumulatora vāka pagriešanas punkts ir piestiprināts pareizi. Ja akumulatora vāks uzstādīts pareizi, to nevarēs atvērt, nepavelkot akumulatora vāka fiksācijas sviru.  
▶ **Att.3:** 1. Pagriešanas punkts 2. Akumulatora vāka fiksācijas svira

## Roktura uzstādīšana

**IEVĒRĪBA!** Uzstādot rokturus, vadus novietojiet tā, lai tie nevarētu iekerties starp rokturiem. Ja vads ir bojāts, plaujmašīnas slēdzis var nedarboties.

1. Abus apakšējā roktura galus iebīdiet plaujmašīnas rievās, tad pilnībā pievelciet saspiedēja skrūves.

▶ **Att.4:** 1. Saspiedēja skrūve 2. Apakšējais rokturis

2. Salāgojiet augšējā un apakšējā roktura skrūvju atveres. Rokturus nostipriniet ar saspiedēja skrūvēm un uzgriežņiem.

▶ **Att.5:** 1. Stiprinājuma uzgrieznis 2. Saspiedēja skrūve

**PIEZĪME:** Lai augšējais rokturis neizkristu jums no rokām, turiet to cieši.

3. Rokturim piestipriniet turētājus. Barošanas kabeli novietojiet tā, kā parādīts attēlā.

▶ **Att.6:** 1. Turētājs

## Mulčēšanas spraudņa noņemšana

### Papildpiederumi

1. Atveriet aizmugurējo pārsegu.

▶ **Att.7:** 1. Aizmugurējais pārsegs

2. Satveriet mulčēšanas spraudņa rokturi un tad izvelciet to no plaujmašīnas, kā parādīts attēlā.

▶ **Att.8:** 1. Mulčēšanas spraudnis 2. Rokturis

## Zāles groza uzstādīšana

1. Atveriet aizmugurējo pārsegu.

▶ **Att.9:** 1. Aizmugurējais pārsegs

2. Pieāķējiet zāles grozu plaujmašīnas korpusa stienim, kā attēlots.

▶ **Att.10:** 1. Āķis 2. Stienis 3. Zāles grozs

## Mulčēšanas spraudņa piestiprināšana

### Papildpiederumi

1. Atveriet aizmugurējo pārsegu un izņemiet zāles grozu.

▶ **Att.11:** 1. Aizmugurējais pārsegs 2. Zāles grozs

2. Satveriet mulčēšanas spraudņa rokturi un tad piestipriniet to plaujmašīnai, kā parādīts attēlā.

▶ **Att.12:** 1. Mulčēšanas spraudnis 2. Rokturis

## FUNKCIJU APRAKSTS

### Akumulatora kasetnes uzstādīšana un izņemšana

**⚠ UZMANĪBU:** Pirms akumulatora kasetnes uzstādīšanas vai izņemšanas vienmēr izslēdziet ierīci.

**⚠ UZMANĪBU:** Pirms lietošanas pārbaudiet, vai akumulatora vāks ir bloķēts. Citādi dubļi, netīrumi vai ūdens var izraisīt izstrādājuma vai akumulatora kasetnes bojājumus.

**⚠ UZMANĪBU:** Vienmēr ievietojiet akumulatora kasetni līdz galam, lai nav redzams sarkanās krāsas indikators. Citādi akumulators var nejauši izkrist no ierīces un radīt jums vai apkārtējiem traumas.

**⚠ UZMANĪBU:** Neievietojiet akumulatora kasetni ar spēku. Ja kasetne neslīd ietvarā viegli, tā nav pareizi ielikta.

**PIEZĪME:** Ierīce nedarbojas tikai ar vienu akumulatora kasetni.

### Darbības akumulatora kasetnes uzstādīšanai

1. Pabīdiet akumulatora vāka fiksācijas sviru un atveriet akumulatora vāku.

▶ **Att.13:** 1. Akumulatora vāks 2. Akumulatora vāka fiksācijas svira

2. Savietojiet akumulatora kasetnes mēlīti ar atveri uz plaujmašīnas un bīdiet kasetni, līdz tā ar nelielu klikšķi nofiksējas vietā.

▶ **Att.14:** 1. Akumulatora kasetne

3. Bloķēšanas atslēgu ievietojiet attēlā redzamajā vietā līdz galam.

▶ **Att.15:** 1. Bloķēšanas atslēga

4. Aizveriet akumulatora vāku un bīdiet, līdz to nofiksē fiksācijas svira.

### Darbības akumulatora kasetnes izņemšanai no plaujmašīnas

1. Pabīdiet akumulatora vāka fiksācijas sviru un atveriet akumulatora vāku.

2. Akumulatora kasetni izņemiet no plaujmašīnas, vienlaikus bīdot pogu kasetnes priekšpusē.

3. Izvelciet bloķēšanas atslēgu.

4. Aizveriet akumulatora vāku.

## Ierīces/akumulatora aizsardzības sistēma

Ierīce ir aprīkota ar ierīces/akumulatora aizsardzības sistēmu. Šī sistēma automātiski izslēdz motora barošanu, lai pagarinātu darbarīku un akumulatora darbību. Lietošanas laikā darbarīks automātiski pārstās darboties, ja darbarīku vai akumulatoru pakļaus kādam no tālāk minētajiem apstākļiem.

### Aizsardzība pret pārslodzi

Ja ierīces lietošanas laikā tiek patērēts pārmērīgi liels strāvas daudzums, ierīce automātiski pārstāj darboties bez iepriekšējas norādes. Šādā gadījumā izslēdziet darbarīku un pārtrauciet darbību, kas izraisīja pārslodzi. Pēc tam ieslēdziet darbarīku, lai atsāktu darbu.

### Aizsardzība pret pārkaršanu

Ja ierīce ir pārkarusi, tā automātiski apstājas. Pirms atkārtotas ieslēgšanas ļaujiet ierīcei atdzist.

### Aizsardzība pret akumulatora pārmērīgu izlādi

Ja atlikušā akumulatora jauda ir zema, ierīce automātiski pārstāj darboties. Ja darbarīks nedarbojas, pat ieslēdzot slēdžus, izņemiet akumulatorus no darbarīka un uzlādējiet akumulatorus.

## Atlikušās akumulatora jaudas indikators

► **Att.16:** 1. Akumulatora indikators

















Kad atlikušā akumulatora jauda ir zema, attiecīgā akumulatora pusē sāk mirgot akumulatora indikators. Ja mašīnu turpina lietot, tā pārstāj darboties un apmēram 10 sekundes izgaismojas akumulatora indikators. Šādā gadījumā uzlādējiet akumulatora kasetni.

## Atlikušās akumulatora jaudas indikators

**Tikai akumulatora kasetnēm ar indikatoru**

► **Att.17:** 1. Indikatora lampas 2. Pārbaudes poga

Nospiediet akumulatora kasetnes pārbaudes pogu, lai pārbaudītu akumulatora atlikušo uzlādes līmeni. Indikatori iedegsies uz dažām sekundēm.

Indikatora lampas			Atlikušā jauda
lededzies	izslēgts	Mirgo	
			
			No 75% līdz 100%
			No 50% līdz 75%
			No 25% līdz 50%
			No 0% līdz 25%
			Uzlādējiet akumulatoru.
			Iespējama akumulatora kļūme.
			

**PIEZĪME:** Reālā jauda var nedaudz atšķirties no norādītās atkarībā no lietošanas apstākļiem un apkārtējās temperatūras.

## Slēdža darbība

**▲BRĪDINĀJUMS:** Pirms akumulatora kasetnes uzstādīšanas, vienmēr pārbaudiet, vai slēdža svira darbojas pareizi un pēc atļaušanas atgriežas sākotnējā stāvoklī. Lietojot mašīnu, kuras slēdzis nedarbojas pareizi, tā var kļūt nevadāma un radīt nopietnas traumas.

**PIEZĪME:** Pļaujmašīna nesāk darboties bez slēdža pogas nospiešanas pat tad, ja ir pārbīdīta slēdža svira.

**PIEZĪME:** Mēģinot plaut garu, mitru zāli, pārslodzes dēļ pļaujmašīnu var neizdoties iedarbināt. Šādā gadījumā palieliniet pļaušanas augstumu.

Šī pļaujmašīna ir aprīkota ar bloķēšanas slēdzi un rokturu slēdzi. Ja konstatējat, ka kāds no šiem slēdžiem darbojas nepareizi, nekavējoties pārtrauciet lietošanu un nododiet mašīnu pārbaudei tuvākajā pilnvarotajā Makita apkopes centrā.

1. Uzstādiet akumulatora kasetnes. Bloķēšanas atslēgu ievietojiet bloķēšanas slēdzī, tad aizveriet akumulatora vāku.

► **Att.18:** 1. Akumulatora kasetne 2. Bloķēšanas atslēga

2. Nospiediet un turiet slēdža pogu.

3. Satveriet augšējo rokturu un pavelciet slēdža sviru.

► **Att.19:** 1. Slēdža poga 2. Slēdža svira

4. Kad motors iedarbināts, atlaidiet slēdža pogu. Pļaujmašīna turpinās darboties, līdz atlaidīsiet slēdža sviru.

5. Lai apturētu motoru, atlaidiet slēdža sviru.

## Pļaušanas augstuma regulēšana

**▲BRĪDINĀJUMS:** Nekad nelieciet rokas un kājas zem pļaujmašīnas, kad regulējat pļaušanas augstumu.

**▲BRĪDINĀJUMS:** Pirms lietošanas vienmēr pārbaudiet, vai svira pilnībā nofikšējusies rievā.

Pļaušanas augstumu var regulēt diapazonā no 20 mm līdz 75 mm.

1. Izņemiet bloķēšanas atslēgu.

2. Pļaušanas augstuma regulēšanas sviru pavelciet pret pļaujmašīnas korpusu un pārbīdīdēt vajadzīgajā pļaušanas augstumā.

► **Att.20:** 1. Pļaušanas augstuma regulēšanas svira

**PIEZĪME:** Pļaušanas augstumu norādošie skaitļi jāuzskata tikai par informatīviem. Mauriņa vai grunts stāvokļa dēļ faktiskais zāliena augstums var nedaudz atšķirties no iestatītā augstuma.

**PIEZĪME:** Lai noregulētu nepieciešamo augstumu, zāles pļaušanu izmēģiniet mazāk redzamā vietā.

## Zāles līmeņa indikatori

### ► Att.21: 1. Zāles līmeņa indikators

Zāles līmeņa indikators rāda nopļautās zāles daudzumu.

- Ja zāles grozs nav pilns, indikators pļaušanas laikā pārvietojas.
- Ja zāles grozs ir pilns, indikators pļaušanas laikā nepārvietojas. Šādā gadījumā nekavējoties pārtrauciet pļaut un iztukšojiet grozu. Pēc groza iztīšanas to iztīriet, lai tā siets laistu cauri gaisu.

**PIEZĪME:** Šā indikatora rādījums ir aptuvenš. Groza iekšpusē stāvokļa dēļ indikators var nedarboties pareizi.

## Mulčēšanas spraudņa lietošana

### Papildpiederumi

Mulčēšanas spraudnis ļauj atgriezt nopļauto zāli zemē, nesavācot to zāles grozā. Darbinot darbarīku, kuram ir uzstādīts mulčēšanas spraudnis, noteikti noņemiet zāles grozu.

**IEVĒRĪBAI:** Lietojot ierīci, kurai ir uzstādīts mulčēšanas spraudnis, pārliecinieties, ka zāles garums pēc griešanas ir vismaz 30 mm un nogrieztais zāles garums ir 15 mm vai mazāk.

### ► Att.22: (1) 30 mm un vairāk (2) 15 mm un mazāk

## EKSPLUATĀCIJA

### Pļaušana

**▲BRĪDINĀJUMS:** Pirms pļaušanas no pļaušanas vietas aizvāciet žaģarus un akmeņus. Pļaušanas vietu attīriet arī no nezālēm.

**▲BRĪDINĀJUMS:** Lietojot pļaujmašīnu, vienmēr valkājiet aizsargbrilles vai brilles ar sānu aizsargiem.

**▲UZMANĪBU:** Ja nopļautā zāle vai svešķermeņi nobloķē pļaujmašīnas korpusa iekšpusi, izņemiet atslēgu un akumulatora kasetni, un noteikti uzvelciet cimdus, pirms noņemat zāli vai svešķermeņus.

**IEVĒRĪBAI:** Lietojiet šo ierīci tikai zāles pļaušanai. Nepļaujiet ar šo ierīci nezāles.

### ► Att.23

Pļaujot cieši ar abām rokām turiet zāles pļaujmašīnas rokturi.

Pļaušanas standarta ātrums ir aptuveni 1 metrs 4 sekundēs.

### ► Att.24

Priekšējo riteņu ārējās malas norāda pļaušanas platumu. Izmantojot priekšējo riteņu ārējās malas kā norādes, pļaujiet zāli joslās. Lai zālienu nopļautu līdzīgi, pļaušanas joslai par vienu psi vai trešdaļu jāpārklājas ar iepriekšējo joslu.

### ► Att.25: 1. Pļaušanas platums 2. Pārklāšanās zona 3. Ārējā mala

Pļaušanas virziena katru reizi mainiet, lai zāles plāvuma raksts neveidotos tikai vienā virzienā.

### ► Att.26

Periodiski pārbaudiet zāles groza saturu. Iztukšojiet grozu, pirms tas ir pilns. Pirms regulāras pārbaudes apturiet pļaujmašīnu, tad izņemiet bloķēšanas atslēgu un akumulatora kasetni.

**IEVĒRĪBAI:** Izmantojot pļaujmašīnu ar pilnu zāles grozu, asmeņi nevarēs brīvi griezties un motoram radīsies papildu slodze, kas var izraisīt bojājumus.

## Pļaujot zālienu ar garu zāli

Nemēģiniet nopļaut garu zāli vienā paņēmienā. Labāk pļaujiet to vairākos piegājenos. Lai mauriņu nopļautu vienmērīgi īsi, pļaujiet ik pēc dienas vai divām.

**PIEZĪME:** Ja garu zāli vienā reizē nopļauj pavisam īsu, tā var iznīkt. Nopļautā zāle var iesprūst pļaujmašīnas korpusā.

## Zāles groza iztukšošana

**▲BRĪDINĀJUMS:** Lai nepieļautu negadījumus, regulāri pārbaudiet, vai zāles grozs nav bojāts vai nodilis. Ja nepieciešams, nomainiet zāles grozu.

1. Atlaidiet slēdža sviru.
  2. Izņemiet bloķēšanas atslēgu.
  3. Atveriet aizmugurējo pārsegu un aiz roktura izņemiet zāles grozu.
- Att.27: 1. Aizmugurējais pārsegs 2. Rokturis
4. Iztukšojiet zāles grozu.

## TEHNISKĀ APKOPE

**▲BRĪDINĀJUMS:** Vienmēr no pļaujmašīnas izņemiet atslēgu un akumulatora kasetni pirms pļaujmašīnas glabāšanas vai nešanas, vai pirms veicat pārbaudes vai apkopes darbus.

**▲BRĪDINĀJUMS:** Ja pļaujmašīnu nelietojat, vienmēr izņemiet bloķēšanas atslēgu. Bloķēšanas atslēgu glabājiet drošā, bērniem neaizsniežamā vietā.

**▲BRĪDINĀJUMS:** Veicot pārbaudi vai apkopi, valkājiet cimdus.

**▲BRĪDINĀJUMS:** Veicot pļaujmašīnas apkopes vai pārbaudes darbus, vienmēr valkājiet aizsargbrilles vai brilles ar sānu aizsargiem.

**IEVĒRĪBAI:** Nekad neizmantojiet gazoļīnu, benzīnu, atšķaidītāju, spirtu vai līdzīgus šķidrumus. Tas var radīt izbalēšanu, deformāciju vai plaisas.

Lai saglabātu izstrādājuma DROŠU un UZTICAMU darbību, remontdarbus, apkopi un regulēšanu uzticiet veikt tikai Makita pilnvarotam vai rūpnīcas apkopes centram, un vienmēr izmantojiet tikai Makita rezerves daļas.



## Akpope

1. Izņemiet bloķēšanas atslēgu. Glabājiet to drošā, bērniem neaizsniegtā vietā.
2. Pļaujmašīnu ņiriet tikai ar mitru drānu. Tīrīšanas laikā nesmidziniet un nelejiet uz pļaujmašīnas ūdeni.
3. Pļaujmašīnu nolieciet uz sāniem un iztīriet atgriezumus, kas uzkrājušies pļaujmašīnas apakšā.
4. Pārbaudiet, vai uzgriežņi, bultskrūves, regulatori, skrūves, aizslēgi u.c. pievilkti cieši.
5. Pārbaudiet, vai kustīgās daļas nav bojātas, salūzušas vai nodilušas. Bojātās vai trūkstošās daļas jāremontē vai jāaizvieto.

## Glabāšana

**▲BRĪDINĀJUMS:** Kad pļaujmašīnu pārnesat vai novietojat glabātavā, turiet to nevis aiz salokāmā roktura, bet gan priekšējā roktura. Turot aiz salokāmajiem rokturiem, var gūt smagas traumas vai sabojāt pļaujmašīnu.

Pirms pļaujmašīnas uzglabāšanas izņemiet no tās akumulatora kasetni un bloķēšanas atslēgu. Uzglabājiet pļaujmašīnu iekšstelpās vēsā, sausā un slēgtā vietā. Neuzglabājiet pļaujmašīnu un lādētāju vietās, kur temperatūra var sasniegt vai pārsniegt 40 °C.

► **Att.28:** 1. Priekšējais rokturis 2. Aizmugurējais rokturis

1. Atlaidiet saspiedēja skrūves un izvēršiet apakšējo rokturi uz abām pusēm. Rokturi nolaidiet uz priekšu. Tajā pašā laikā stingri turiet apakšējo rokturi, lai tas nenokristu pļaujmašīnas korpusa tālākajā pusē.
- **Att.29:** 1. Saspiedēja skrūve 2. Apakšējais rokturis
2. Atlaidiet stiprinājuma uzgriežņus un pagrieziet augšējo rokturi atpakaļ, vienlaikus izvēršot abas puses.
- **Att.30:** 1. Stiprinājuma uzgriežnis 2. Augšējais rokturis
3. Zāles grozu glabājiet starp rokturi un pļaujmašīnas korpusu.
- **Att.31:** 1. Zāles grozs

**PIEZĪME:** Novietojot pļaujmašīnu vertikālā stāvoklī, neturiet rokturi, bet izmantojiet pļaujmašīnas priekšējo rokturi.

## Pļaujmašīnas asmens noņemšana vai uzstādīšana

**▲BRĪDINĀJUMS:** Uzstādot vai noņemot asmeni, vienmēr izņemiet bloķēšanas atslēgu un akumulatora kasetni. Neizņemot bloķēšanas atslēgu un akumulatora kasetni, var gūt smagas traumas.

**▲BRĪDINĀJUMS:** Asmens pēc slēdža atlaišanas turpina kustēties pēc inerces. Neveiciet nekādas darbības, kamēr asmens nav pilnībā apstājies.

**▲BRĪDINĀJUMS:** Rīkojoties ar asmeni, vienmēr valkājiet cimdus.

## Pļaujmašīnas asmens noņemšana

### Paredzēts modelim DLM382

1. Pļaujmašīnu novietojiet uz sāniem tā, lai pļaujmašīnas augstuma regulēšanas svira atrastos augšpusē.
2. Lai bloķētu asmens rotāciju, pļaujmašīnas korpusa atverē ievietojiet skrūvgriezi vai līdzīgu priekšmetu.
3. Ar uzgriežņu atslēgu grieziest skrūvi pretēji pulksteņrādītāju kustības virzienam.  
► **Att.32:** 1. Pļaujmašīnas asmens 2. Skrūvgriezis 3. Uzgriežņu atslēga
4. Noņemiet bultskrūvi un asmeni norādītajā secībā.  
► **Att.33:** 1. Asmens stiprinājums 2. Pļaujmašīnas asmens 3. Bultskrūve

### Paredzēts modelim DLM432

1. Pļaujmašīnu novietojiet uz sāniem tā, lai pļaujmašīnas augstuma regulēšanas svira atrastos augšpusē.
2. Lai bloķētu asmens rotāciju, pļaujmašīnas korpusa atverē ievietojiet skrūvgriezi vai līdzīgu priekšmetu.
3. Ar uzgriežņu atslēgu grieziest skrūvi pretēji pulksteņrādītāju kustības virzienam.  
► **Att.34:** 1. Pļaujmašīnas asmens 2. Skrūvgriezis 3. Uzgriežņu atslēga
4. Secīgi izskrūvējiet skrūvi, noņemiet ārējo atloku, pļaujmašīnas asmeni un iekšējo atloku.  
► **Att.35:** 1. Iekšējais atloks 2. Pļaujmašīnas asmens 3. Ārējais atloks 4. Skrūve

## Pļaujmašīnas asmens uzstādīšana

Lai uzstādītu pļaujmašīnas asmeni, noņemšanas darbības izpildiet pretējā secībā.

**▲BRĪDINĀJUMS:** Uzmanīgi uzstādiet pļaujmašīnas asmeni. Tam ir augšējā/apakšējā virsma. Novietojiet asmeni tā, lai griešanās virziena bulta būtu vērsta uz ārpusi.

**▲BRĪDINĀJUMS:** Lai asmeni nostiprinātu, skrūvi pievelciet pulksteņrādītāju kustības virzienā.

**▲BRĪDINĀJUMS:** Pārliecinieties, ka pļaujmašīnas asmens un visas fiksējošās daļas ir pareizi uzstādītas un cieši pievilktas.

**▲BRĪDINĀJUMS:** Nomainot asmeņus, vienmēr izpildiet norādījumus šajā rokasgrāmatā.

# PROBLĒMU NOVĒRŠANA

Pirms nodošanas remontā vispirms veiciet pārbaudi pats. Ja konstatējat kļūmi, kas nav aprakstīta rokasgrāmatā, nemēģiniet darbarīku izjaukt. Dodieties uz Makita pilnvarotu apkopes centru un remontam vienmēr izmantojiet tikai Makita rezerves daļas.

Neatbilstošas darbības stāvoklis	Iespējamais iemesls (kļūme)	Risinājums
Pļaujmašīna nesāk darboties.	Nav uzstādītas divas akumulatora kasetnes.	Uzstādiet uzlādētas akumulatora kasetnes.
	Akumulatora kļūme (zems spriegums)	Uzlādējiet akumulatora kasetni. Ja uzlāde nav veiksmīga, nomainiet akumulatora kasetni.
	Nav ievietota bloķēšanas atslēga.	Ievietojiet bloķēšanas atslēgu.
Motors izslēdzas pēc neilgas darbināšanas.	Akumulatora uzlādes līmenis ir par zemu.	Uzlādējiet akumulatora kasetni. Ja uzlāde nav veiksmīga, nomainiet akumulatora kasetni.
	Griešanas augstums ir par mazu.	Palieliniet griešanas augstumu.
Motors nesasniedz maksimālo apgriezīu skaitu minūtē.	Akumulatora kasetne nav uzstādīta pareizi.	Akumulatora kasetni uzstādiet pēc norādījumiem šajā rokasgrāmatā.
	Samazinās akumulatora jauda.	Uzlādējiet akumulatora kasetni. Ja uzlāde nav veiksmīga, nomainiet akumulatora kasetni.
	Piedziņas sistēma nedarbojas pareizi.	Ierīci aizgādājiet uz remontu vietējā pilnvarotā apkopes centrā.
Pļaujmašīnas asmens negriežas: ⇒ nekavējoties apturiet pļaujmašīnu!	Pie asmens iesprūdis kāds svešķermenis, piemēram, zars.	Izņemiet svešķermeni.
	Piedziņas sistēma nedarbojas pareizi.	Ierīci aizgādājiet uz remontu vietējā pilnvarotā apkopes centrā.
Pārmērīga vibrācija: ⇒ nekavējoties apturiet pļaujmašīnu!	Asmens nav nolīmeņots, ir pārmērīgi vai nevienmērīgi nodilis.	Nomainiet asmeni.

## PAPILDU PIEDERUMI

**⚠UZMANĪBU:** Šādi piederumi un papildierīces tiek ieteiktas lietošanai ar šajā rokasgrāmatā aprakstīto Makita darbarīku. Izmantojot citus piederumus vai papildierīces, var tikt radīta trauma gūšanas bīstamība. Piederumu vai papildierīci izmantojiet tikai paredzētajam mērķim.

Ja jums vajadzīga palīdzība vai precīzāka informācija par šiem piederumiem, vērsieties savā tuvākajā Makita apkopes centrā.

- Pļaujmašīnas asmens
- Mulčēšanas spraudnis
- Makita oriģinālais akumulators un lādētājs

**PIEZĪME:** Daži sarakstā norādītie izstrādājumi var būt iekļauti instrumenta komplektācijā kā standarta piederumi. Tie dažādās valstīs var būt atšķirīgi.

## SPECIFIKACIJOS

Modelis:	DLM382		DLM432	
Pjovimo plotis (peilio skersmuo)	380 mm		430 mm	
Be apkrovos	3 700 min <sup>-1</sup>		3 600 min <sup>-1</sup>	
Pakaitinio vejavovės peilio dalies numeris	191D41-2		191D43-8	
Matmenys (I x P x A)	dirbant	L: Nuo 1 380 mm iki 1 410 mm W: 450 mm H: 985 - 1 005 mm	I: nuo 1 435 mm iki 1 490 mm P: 460 mm A: nuo 1 005 mm iki 1 045 mm	
	Laikant (be žolės surinkimo krepšio)	860 mm x 450 mm x 475 mm	865 mm x 460 mm x 475 mm	
Nominali įtampa	Nuol. sr. 36 V			
Grynasis svoris	15,0 - 16,5kg		15,4 - 17,1kg	

- Atliekame tęstinius tyrimus ir nuolatos tobuliname savo gaminius, todėl čia pateikiamos specifikacijos gali būti keičiamos be įspėjimo.
- Skirtingose šalyse specifikacijos gali skirtis.
- Svoris gali priklausyti nuo priedo (-ų), įskaitant akumulatoriaus kasetę. Lengviausias ir sunkiausias deriniai pagal EPTA 2014 m. sausio mėn. procedūrą yra parodyti lentelėje.

## Tinkama akumulatoriaus kasetė ir (arba) įkroviklis

Akumulatoriaus kasetė	BL1815N / BL1820 / BL1820B / BL1830 / BL1830B / BL1840 / BL1840B / BL1850 / BL1850B / BL1860B
Įkroviklis	DC18RC / DC18RD / DC18RE / DC18SD / DC18SE / DC18SF / DC18SH






- Atsižvelgiant į gyvenamosios vietos regioną, kai kurios pirmiau nurodytos akumulatoriaus kasetės ir įkrovikliai gali būti neprieinami.

**⚠️ JSPĖJIMAS:** Naudokite tik akumulatoriaus kasetes ir įkroviklius, kurie nurodyti anksčiau. Naudojant bet kurias kitas akumulatoriaus kasetes ir įkroviklius, gali kilti sužeidimo ir gaisro pavojus.

**⚠️ JSPĖJIMAS:** Su šia mašina nenaudokite laidu prijungiamo maitinimo šaltinio, pavyzdžiui, akumulatoriaus adapterio ar nešiojamojo maitinimo šaltinio. Tokio maitinimo šaltinio kabelis gali trukdyti dirbti ir sukelti sužalojimą.

## Simboliai

Toliau yra nurodyti simboliai, kurie gali būti naudojami įrangai. Prieš naudodami įsitinkite, kad suprantate jų reikšmę.

	Būkite itin atsargūs ir dėmesingi.
	Perskaitykite instrukcijų vadovą.
	Pavojus; saugokitės skriejančių objektų.
	Tarp įrankio ir šalia esančių žmonių turi būti bent 15 m atstumas.
	Laikykite rankas ir pėdas atokiai nuo vejavovės apačioje esančių peilių. Išjungus variklį, peiliai dar kurį laiką sukasi.



Prieš atlikdami tikrinimo, reguliavimo, valymo ir techninės priežiūros darbus, taip pat prieš palikdami vejavovę be priežiūros ir pastatydami ją į saugojimo vietą, ištraukite spynos raktą.



Ni-MH  
Li-ion

Taikoma tik ES šalims  
Neišmeskite elektros įrangos arba akumulatoriaus bloko į buitinius šiukšlynus! Atsižvelgiant į ES direktyvas dėl elektros ir elektroninės įrangos atliekų, dėl baterijų ir akumuliatorių bei baterijų ir akumuliatorių atliekų ir šių direktyvų siekių įgyvendinimą pagal nacionalinius įstatymus, elektros įrangos ir baterijų bei akumuliatorių atliekas būtina surinkti atskirai nuo kitų buitinių atliekų ir atiduoti į antrinių žaliavų perdirbimo aplinkai nekenksmingu būdu punkta.

## Numatytoji naudojimo paskirtis

Įrenginys skirtas tik vejai pjauti.

## Triukšmas

Jprastas triukšmo A lygis, nustatytas pagal EN60335-2-77:

### Modelis DLM382

Garso slėgio lygis ( $L_{pA}$ ): 81 dB (A)

Garso galios lygis ( $L_{WA}$ ): 91 dB (A)

Paklaida (K): 3 dB (A)

### Modelis DLM432

Garso slėgio lygis ( $L_{pA}$ ): 81 dB (A)

Garso galios lygis ( $L_{WA}$ ): 92 dB (A)

Paklaida (K): 3 dB (A)

**PASTABA:** Paskelbta (-os) triukšmo reikšmė (-ės) nustatyta (-os) pagal standartinį testavimo metodą ir ji galima naudoti vienam įrankiui palyginti su kitu.

**PASTABA:** Paskelbta (-os) triukšmo reikšmė (-ės) taip pat gali būti naudojama (-os) norint preliminariai įvertinti triukšmo poveikį.

**⚠️ ĮSPĖJIMAS:** Dėvėkite ausų apsaugą.

**⚠️ ĮSPĖJIMAS:** Faktiškai naudojant elektrinį įrankį, keliamo triukšmo dydis gali skirtis nuo paskelbtos (-ų) reikšmės (-ių), priklausomai nuo būdų, kuriais yra naudojamas šis įrankis, ir ypač nuo to, kokio tipo ruošinys apdirbamas.

**⚠️ ĮSPĖJIMAS:** Siekdami apsaugoti operatorių, būtina įvertinkite saugos priemones, remdamiesi vibracijos poveikio įvertinimu esant faktinėms naudojimo sąlygoms (atsižvelgdami į visas darbo ciklo dalis, pavyzdžiui, ne tik kiek laiko įrankis veikia, bet ir kiek kartų jis yra išjungiamas bei kai jis veikia be apkrovų).

## Vibracija

Vibracijos bendroji vertė (triašio vektoriaus suma) nustatyta pagal EN60335-2-77 standartą:

### Modelis DLM382

Vibracijos emisija ( $a_h$ ): 2,5 m/s<sup>2</sup> arba mažiau

Paklaida (K): 2,0 m/s<sup>2</sup>

### Modelis DLM432

Vibracijos emisija ( $a_h$ ): 2,5 m/s<sup>2</sup> arba mažiau

Paklaida (K): 1,5 m/s<sup>2</sup>

**PASTABA:** Paskelbta (-os) vibracijos bendroji (-osios) reikšmė (-ės) nustatyta (-os) pagal standartinį testavimo metodą ir ji galima naudoti vienam įrankiui palyginti su kitu.

**PASTABA:** Paskelbta (-os) vibracijos bendroji (-osios) reikšmė (-ės) taip pat gali būti naudojama (-os) norint preliminariai įvertinti vibracijos poveikį.

**⚠️ ĮSPĖJIMAS:** Faktiškai naudojant elektrinį įrankį, keliamos vibracijos dydis gali skirtis nuo paskelbtos (-ų) reikšmės (-ių), priklausomai nuo būdų, kuriais yra naudojamas šis įrankis, ir ypač nuo to, kokio tipo ruošinys apdirbamas.

**⚠️ ĮSPĖJIMAS:** Siekdami apsaugoti operatorių, būtina įvertinkite saugos priemones, remdamiesi vibracijos poveikio įvertinimu esant faktinėms naudojimo sąlygoms (atsižvelgdami į visas darbo ciklo dalis, pavyzdžiui, ne tik kiek laiko įrankis veikia, bet ir kiek kartų jis yra išjungiamas bei kai jis veikia be apkrovų).

## EB atitikties deklaracija

### Tik Europos šalims

EB atitikties deklaracija yra pridedama kaip šio instrukcijų vadovo A priedas.

## SAUGOS ĮSPĖJIMAI

### SVARBIOS SAUGOS INSTRUKCIJOS

**⚠️ ĮSPĖJIMAS:** Perskaitykite visus saugos įspėjimus ir visą instrukciją. Nesilaikydami toliau pateiktų įspėjimų ir instrukcijų galite patirti elektros smūgį, gaisrą ir (arba) sunkų sužeidimą.

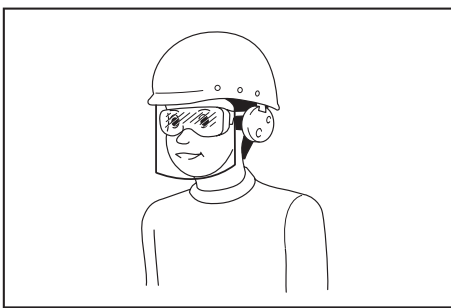
## Išsaugokite visus įspėjimus ir instrukcijas, kad galėtumėte jas peržiūrėti ateityje.

### Mokymas

1. Atidžiai perskaitykite šią instrukciją. Nuodugniai susipažinkite su valdikliais ir išsiaiškinkite, kaip tinkamai naudoti vejąpovę.
2. Niekomet neleiskite vejąpovės naudoti vaikams arba su šia instrukcija nesusipažinusiems žmonėms. Operatoriaus amžius gali būti reglamentuojamas vietinių įstatymų.
3. Niekomet nenaudokite vejąpovės, jei netoliese yra žmonių, ypač vaikų ar naminių gyvūnų.
4. Atminkite, kad operatorius yra atsakingas už nelaimingus atsitikimus ar nelaimes, atsitikusius kitiems žmonėms, arba jų turtui padarytą žalą.
5. Būtina prižiūrėti vaikus, kad jie nežaistų su vejąpove.
6. Fizinės sąlygos – nenaudokite vejąpovės, jeigu esate apsvaigę nuo alkoholio, narkotikų arba kokį nors vaistų.

### Pasiruošimas

1. Naudodami vejąpovę, visuomet avėkite tvirtą avalynę ir mūvėkite ilgus kelnes. Niekomet nedirbkite vejąpove, jeigu esate basi arba avite atvirus sandalus. Nedėvėkite laisvų drabužių ir kabančių papuošalų, nesurištų virvelių arba kaklaraiščių. Juos gali įtraukti judančios dalys.
2. Prieš naudodami vejąpovę, visuomet apžiūrėkite, ar ji nepažeista, ar netrukta apsauginių įtaisų ir skydų, ar jie tinkamai uždėti.
3. Prieš padėdami pjauti žolę, įsitikinkite, ar toje vietoje nėra kitų žmonių. Išjunkite vejąpovę, jeigu į darbo vietą kas nors ateina.
4. Nekiškite blokavimo raktelio į vejąpovę, kol ji nebus paruošta naudoti.
5. Visada naudodami elektrinius įrankius išsidėkite apsauginius akinius, kad apsaugotumėte savo akis nuo sužalojimų. Akiniai turi atitikti ANSI Z87.1 reikalavimus JAV, EN 166 reikalavimus Europoje arba AS/NZS 1336 reikalavimus Australijoje / Naujojoje Zelandijoje. Australijoje / Naujojoje Zelandijoje taip pat teisiškai privaloma naudoti veido skydelį.



Darbdavys privalo užtikrinti, kad įrankio operatoriai ir kiti šalia jo darbo vietos esantys asmenys naudotų tinkamas apsaugos priemones.

6. Prieš naudodami patikrinkite peilius arba peilių varžtus, ar nėra įtrūkimų ar pažeidimų. Nedelsdami pakeiskite įtrūkusius arba pažeistus peilius arba peilių varžtus.
7. Prieš pradėdami pjauti žolę, surinkite nuo vejos pašalinius daiktus, pavyzdžiui, akmenis, laidus, butelius, kaulus ir dideles šakas, kad nesužeistumėte ir nesugadintumėte vejaplovės.
8. Vejaplovės peilio užkliudyti objektai gali sunkiai sužaloti. Prieš kiekvieną vejos pjovimą, veją visada reikia atidžiai apžiūrėti ir surinkti nuo jos visus daiktus.
9. Saugokitės duobių, provėžų, nelygumų, akmenų ir kitų vos matomų objektų. Nelygioje vietoje galima paslysti ir nukristi. Aukšta žolė gali slėpti kliūtis.

#### Naudojimas

1. Nepersiverkite. Visuomet išlaikykite pusiausvyrą. Dirbdami nuokalnėse, visada tvirtai stovėkite. Vaikščiokite, o ne bėgiokite.
2. Išjunkite vejaplovę, ištraukite blokavimo raktelį ir įsitinkite, kad visos judamosios dalys visiškai sustojo:
  - kai paliekate vejaplovę be priežiūros,
  - prieš pradėdami valyti užsikimšimus arba prieš atkimšdami išmetimo lataką,
  - prieš tikrindami, valydami arba dirbdami vejaplove,
  - užkliudę pašalinį objektą. Prieš vėl įjungdami vejaplovę ir pradėdami dirbti, apžiūrėkite, ar nėra gedimų, ir juos pašalinkite;
  - jeigu vejaplovė pradeda neįprastai vibruoti.
3. Niekada nenaudokite vejaplovės su pažeistais apsauginiais skydais arba gaubtais ar be tinkamai sumontuotų saugos įtaisų, pavyzdžiui, kreiptuvų ir (arba) žolės surinkimo krepšio.
4. Vejaplovės nenaudokite esant blogam orui ir ypač tada, kai gali žaibuoti.
5. Naudodami vejaplovę, visuomet dėvėkite akių apsaugos priemones ir avėkite tvirtus batus.
6. Vejaplovę naudokite tik dienos metu arba esant geram dirbtiniam apšvietimui.
7. Atsargiai įjunkite vejaplovę, kaip nurodyta instrukcijoje; pėdos turi būti pakankamu atstumu nuo peilio (-ių).
8. Saugokitės, kad vejaplovės peilis nesužeistų kojų ir rankų.

9. Ventiliacijos angos visą laiką turi būti atviros ir švarios.
10. Pjunkite žolę, važiuodami nuokalnėmis aukštyr ir žemyn, o ne skersai. Keisdami kryptis nuokalnėse, būkite itin atsargūs. Nepjunkite žolės pernelyg stačiose nuokalnėse.
11. Būkite itin atsargūs, važiuodami atbuline eiga arba traukdami vejaplovę savęs link.
12. Sustabdykite peilį (-ius), jeigu vejaplovę reikia paversti, kad ją galima būtų perkelti per žolę neapaugusius paviršius, ir gabendami vejaplovę iš vietos, kurioje ji buvo naudojama, ir į tą vietą, kurioje ji bus naudojama.
13. Paleisdami variklį, vejaplovės nepakreipkite, išskyrus tą atvejį, jeigu vejaplovę reikia pakreipti, kad ją būtų galima paleisti. Tokiu atveju pakreipkite ją tik tiek, kiek tai visiškai būtina, ir kelkite tik tą dalį, kuri yra nukreipta tolyn nuo operatoriaus. Prieš nuleisdami vejaplovę ant žemės, visada užtikrinkite, kad abi rankos būtų darbinėje padėtyje.
14. Nekiškite rankų ar kojų artyn prie besisukančių dalių arba po jomis. Visada stovėkite atokiai nuo išmetimo angos.
15. Negabenkite veikiančios vejaplovės.
16. Vejaplove nepjunkite šlapios žolės.
17. Niekuomet nenaudokite vejaplovės lietuvi lyjant.
18. Visada tvirtai laikykite rankeną.
19. Paimdami arba laikydami vejaplovę, neimkite už atvirų pjovimo peilių arba pjovimo briaunų.
20. Laikykite pėdas ir rankas atokiai nuo besisukančių peilių. Dėmesio – išjungus vejaplovę, pjovimo peiliai dar sukasi iš inercijos.
21. Pastebėję ką nors neįprasto, tučtuojau nutraukite darbą. Išjunkite vejaplovę ir ištraukite blokavimo raktelį. Tada apžiūrėkite vejaplovę.
22. Nereguliuokite pjovimo aukščio, kai vejaplovė veikia, jei vejaplovė turi pjovimo aukščio reguliavimo funkciją.
23. Prieš kirsdami kelius, takus, vieškelius ir bet kokias žvyrų padengtas vietas, atleiskite svirtinį jungiklį ir palaukite, kol peiliai nebesuks. Taip pat ištraukite blokavimo raktelį, jeigu vejaplovę paliekate be priežiūros, jeigu siekiate kažką pakelti arba patraukti iš kelio, arba dėl bet kokios kitos priežasties, kuri gali atitraukti jus nuo atliekamo darbo.
24. Jeigu vejaplovė užkliudo pašalinį objektą, atlikite šiuos veiksmus:
  - Išjunkite vejaplovę, atleiskite svirtinį jungiklį ir palaukite, kol peilis visiškai sustos.
  - Ištraukite blokavimo raktelį ir išimkite akumuliatorių kasetę.
  - Apžiūrėkite vejaplovę, ar ji neapgadinta.
  - Pakeiskite peilį, jeigu jis kaip nors apgadintas. Prieš užvesdami ir toliau naudodami vejaplovę, pašalinkite bet kokius gedimus.
25. Neužveskite vejaplovės variklio, stovėdami priešais išmetimo angą.
26. Jeigu vejaplovė pradeda neįprastai vibruoti, nedelsdami
  - patikrinkite, ar nėra gedimo;

– pakeiskite arba pataisykite bet kurias sugadintas dalis;  
– patikrinkite ir priveržkite visas atsilaisvinusias dalis.

27. Išmetamos medžiagos niekuomet nenukreipkite į kitus žmones. Venkite medžiagos išmetimo link sienos ar kliūtis. Medžiaga gali atšokti link operatoriaus. Kirsdami žvyruotus paviršius, sustabdykite peilį.
28. Vejapjovės netraukite atgal, nebent tai būtų būtina. Kai vejapjovę tenka atitraukti nuo tvoros ar kitos panašios kliūtis ir prieš eidami atbulomis, pasižiūrėkite žemyn ir atgal.
29. Prieš nuimdami žolės gaudyklę, išjunkite variklį ir palaukite, kol peilis visiškai nustos sukstis. Turėkite omenyje, kad išjungus vejapjovę, peiliai dar sukasi iš inercijos.

#### Techninė priežiūra ir saugojimas

1. Saugumo sumetimais pakeiskite nusidėvėjusias arba sugadintas dalis. Prireikus priedų arba atsarginių dalių, naudokite tik originalias dalis.
2. Vejapjovę reguliariai apžiūrėkite ir sutvarkykite.
3. Nenaudojamą vejapjovę laikykite vaikams nepasiekiamoje vietoje.
4. Visos varžlės, varžtai ir sraigtai turi būti tvirtai prisukti, kad būtų užtikrintos saugios įrenginio darbo sąlygos.
5. Dažnai tikrinkite, ar žolės surinkimo krepšys nesudėvėjęs ir yra tinkamos būklės. Prieš pastatydami įrenginį, būtina ištuštinkite žolės surinkimo krepšį. Norėdami užtikrinti saugą, nusidėvėjusį žolės surinkimo krepšį pakeiskite nauju originaliu atsarginiu krepšiu.
6. Naudokite tik šioje instrukcijoje nurodytus originalius peilius.
7. Reguliuodami vejapjovę būkite atsargūs, kad pirštų neįtrauktų judantys peiliai ir nejudančios jos dalys.
8. Neplaukite įrenginio vandens žarna; stenkitės, kad į variklį ir ant elektrinių jungčių nepatektų vandens.
9. Dažnai tikrinkite, ar tinkamai priveržti peilių montavimo varžtai.
10. Prieš pastatydami vejapjovę į saugojimo vietą, palaukite, kol ji visiškai atvės.
11. Prieš pradėdami peilių techninės priežiūros darbus, nepamirškite, kad nors maitinimo šaltinis yra išjungtas, peiliai vis tiek gali sukstis.
12. Niekuomet nenuimkite ir negadinkite apsauginių įtaisų. Reguliariai tikrinkite, ar jie gerai veikia. Nedarykite nieko, kas apsauginiam įtaisui trukdytų atlikti jo funkciją ar sumažintų jo suteikiamą apsaugą.

#### Akumuliatorinio įrankio naudojimas ir priežiūra

1. Įkraukite naudodami tik gamintojo nurodytą įkroviklį. Įkroviklis, kuris tinka vienam akumuliatorių tipui įkrauti, gali kelti gaisro pavojų, jei bus naudojamas su kitų tipų akumuliatoriais.
2. Elektrinius įrankius naudokite tik su specialiai jiems skirtais akumuliatoriais. Naudojant bet kurį kitą akumuliatorių gali kilti sužeidimo ir gaisro pavojus.

3. Kai akumuliatorius nėra naudojamas, laikykite jį toliau nuo kitų metalinių daiktų, pavyzdžiui, popieriaus sąvaržėlių, monetų, raktų, vinių, varžtų ir kitų mažų metalinių daiktų, dėl kurių gali kilti trumpasis jungimas tarp kontaktų. Akumuliatorių kontaktų trumpasis jungimas gali būti nudegimų arba gaisro priežastimi.
4. **Netinkamai naudojant iš akumuliatoriaus gali ištekėti skysčio.** Venkite sąlyčio su juo. Jei sąlytis atsitiktinai įvyko, gausiai nuplaukite vandeniu. Jei skysčio pateko į akis, kreipkitės į gydytoją. Iš akumuliatoriaus išbėgęs skystis gali sudirginti arba nudeginti odą.
5. **Nenaudokite sugadinto ar modifikuoto akumuliatoriaus arba įrankio.** Sugadinti arba modifikuoti akumuliatoriai gali veikti neįprastai, todėl gali kilti gaisras, sprogimas arba sužalojimo rizika.
6. **Saugokite akumuliatorių arba įrankį nuo ugnies ar pernelyg aukštų temperatūros.** Dėl ugnies ar 130 °C viršijančios temperatūros gali kilti sprogimas.
7. **Laikykites visų įkrovimo nurodymų ir nekraukite akumuliatoriaus ar įrankio, kai temperatūra neatitinka nurodymuose pateikto temperatūros intervalo.** Netinkamai įkraunant arba įkraunat esant kitam nei nustatytas temperatūros intervalui, gali būti sugadintas akumuliatorius ar padidėti gaisro rizika.

#### Elektros ir akumuliatoriaus sauga

1. **Nemeskite akumuliatoriaus (-ių) į ugnį.** Akumuliatoriaus elementas gali sprogti. Pasitikrinkite, ar vietiniai įstatymai nenurodo specialaus išmetimo būdo.
2. **Neatidarykite ir neardykite akumuliatoriaus (-ių).** Ištekėjęs elektrolitas yra šdinančioji medžiaga, kuri gali pažeisti akis ar odą. Nurytas jis gali apnuodyti.
3. **Nenaudokite akumuliatoriaus lyjant arba drėgnose vietose.**
4. **Nekraukite akumuliatoriaus lauke.**
5. **Neimkite įkroviklio, įskaitant įkroviklio kištuką ir gnybtus, drėgnomis rankomis.**

#### Techninė priežiūra

1. Tegu jūsų elektrinio įrankio techninę priežiūrą atlieka kvalifikuotas remonto meistras, naudodamas tik identiškas atsargines dalis. Tai užtikrina, kad elektrinis įrankis liks saugus naudoti.
2. **Niekada neatlikite pažeistų akumuliatorių techninės priežiūros.** Akumuliatorių techninę priežiūrą turi atlikti tik gamintojas arba įgaliotieji techninės priežiūros paslaugų teikėjai.

## SAUGOKITE ŠIAS INSTRUKCIJAS.

**⚠ SPĖJIMAS: NELEISKITE,** kad patogumas ir gamino pažinimas (įgyjamas pakartotinai naudojant) susilpnintų griežtą saugos taisyklių, taikytinų šiam gaminiui, laikymąsi.

Dėl **NETINKAMO NAUDOJIMO** arba saugos taisyklių, kurios pateiktos šioje instrukcijoje, nesilaikymo galima rimtai susižeisti.

## Svarbios saugos instrukcijos, taikomos akumuliatoriaus kasetei

1. Prieš naudodami akumuliatoriaus kasetę, perskaitykite visas instrukcijas ir perspėjimus ant (1) akumuliatorių įkroviklio, (2) akumuliatorių ir (3) akumuliatorių naudojančio gaminio.
2. Neardykite ir negadinkite akumuliatoriaus kasetės. Dėl to ji gali užsidegti, per daug įkaisti arba sprogti.
3. Jei įrankio darbo laikas žymiai sutrumpėjo, nedelsdami nutraukite darbą su įrankiu. Tai gali kelti perkaitimo, nudegimų ar net sprogdimo pavojų.
4. Jei elektrolitas pateko į akis, plaukite jas tyru vandeniu ir nedelsdami kreipkitės į gydytoją. Gali kilti regėjimo praradimo pavojus.
5. Neužtrumpinkite akumuliatoriaus kasetės:
  - (1) Nelieskite kontaktų degiomis medžiagomis.
  - (2) Venkite laikyti akumuliatoriaus kasetę kartu su kitais metaliniais daiktais, pavyzdžiui, vinimis, monetomis ir pan.
  - (3) Saugokite akumuliatoriaus kasetę nuo vandens ir lietaus.

Trumpasis jungimas akumuliatoriuje gali sukelti stiprią srovę, perkaitimą, galimus nudegimus ar net akumuliatoriaus gedimą.

6. Nelaikykite ir nenaudokite įrankio ir akumuliatoriaus kasetės vietose, kur temperatūra gali pasiekti ar viršyti 50 °C (122 °F).
7. Nedeginkite akumuliatoriaus kasetės, net jei yra stipriai pažeista ar visiškai susidėvėjusi. Ugnyje akumuliatoriaus kasetė gali sprogti.
8. Akumuliatoriaus kasetės nekalkite, nepjauskite ir nemėtykite ir taip pat į ją netrankykite kietu daiktu. Taip elgiantis, ji gali užsidegti, per daug įkaisti arba sprogti.
9. Nenaudokite pažeisto akumuliatoriaus.
10. Įdėtomis ličio jonų akumuliatoriams taikomi Pavojingų prekių teisės akto reikalavimai. Komeracinis transportas, pvz., trečiųjų šalių, prekių vežimo atstovų, turi laikytis specialaus reikalavimo ant pakuotės ir ženklavimo. Norėdami paruošti siūstiną prekę, pasitarkite su pavojingų medžiagų specialistu. Be to, laikykitės galimai išsamesnių nacionalinių reglamentų. Užklijuokite juosta arba padenkite atvirus kontaktus ir supakuokite akumuliatorių taip, kad ji pakuotėje nejudėtų.
11. Kai išmetate akumuliatoriaus kasetę, išimkite ją iš įrankio ir išmeskite saugioje vietoje. Vadovaukitės vietos reglamentais dėl akumuliatorių išmetimo.
12. Baterijas naudokite tik su „Makita“ nurodytais gaminiais. Baterijas įdėjus į netinkamus gaminius gali kilti gaisras, gaminys pernelyg įkaisti, kilti sprogdimas arba pratekėti elektrolitas.
13. Jei įrankis bus ilgą laiką nenaudojamas, akumuliatorių būtina išimti iš įrankio.
14. Darbo metu ir po akumuliatoriaus kasetės gali būti įkaitusi ir dėl to nudeginti. Įmdami akumuliatoriaus kasetes, būkite atsargūs.
15. Tuojau pat po naudojimo nelieskite įrankio gnybtų, nes jie gali būti įkaitę tiek, kad nudegins.

16. Nelieskite, kad j akumuliatoriaus kasetės gnybtus, angas ir griovelius patektų drožlių, dulkių ar žemių. Dėl to įrankis ar akumuliatoriaus kasetė gali imti prastai veikti ar sugesti.
17. Jeigu įrankis nėra pritaikytas naudoti šalia aukštos įtampos elektros linijų, akumuliatoriaus kasetės nenaudokite šalia aukštos įtampos elektros linijų. Dėl to gali sutrikti įrankio ar akumuliatoriaus kasetės veikimas arba jie gali sugesti.
18. Laikykite akumuliatorių vaikams nepasiekiamoje vietoje.

## SAUGOKITE ŠIAS INSTRUKCIJAS.

**⚠️PERSPĖJIMAS:** Naudokite tik originalų „Makita“ akumuliatorių. Neoriginalaus „Makita“ arba pakeisto akumuliatoriaus naudojimas gali nulemti gaisrą, asmens sužalojimą ir pažeidimą. Tai taip pat panaikina „Makita“ suteikiamą „Makita“ įrankio ir įkroviklio garantiją.

## Patarimai, ką daryti, kad akumuliatorius veiktų kuo ilgiau

1. Pakraukite akumuliatoriaus kasetę prieš ją visiškai išsikraunant. Visuomet nustokite naudoti įrankį ir pakraukite akumuliatoriaus kasetę, kai pastebite, kad įrankio galia sumažėjo.
2. Niekada nekraukite iki galo įkrautos akumuliatoriaus kasetės. Perkraunant trumpėja akumuliatoriaus eksploatacijos laikas.
3. Akumuliatoriaus kasetę kraukite esant kambario temperatūrai 10 - 40 °C. Prieš pradėdami krauti, leiskite įkaitusiam akumuliatoriaus kasetei atvėsti.
4. Kai akumuliatoriaus kasetės nenaudojate, ją išimkite iš įrankio ar įkroviklio.
5. Įkraukite akumuliatoriaus kasetę, jei jos nenaudojate ilgą laiką (ilgiau nei šešis mėnesius).

## SURINKIMAS

**⚠️PERSPĖJIMAS:** Prieš pradėdami bet kokius vejamovės techninės priežiūros, valymo arba reguliavimo darbus, visuomet būtinai ištraukite fiksavimo raktą ir išimkite akumuliatoriaus kasetę. Neištraukus fiksavimo rakto ir neišėmus akumuliatoriaus kasetės, galima sunkiai susižeisti dėl atsitiktinio įrenginio paleidimo.

**⚠️PERSPĖJIMAS:** Niekada nepalieskite vejamovės, kol ji nėra visiškai surinkta. Naudojant iš dalies surinktą mašiną, ji gali netyčia pasileisti ir sunkiai sužeisti.

## Akumuliatoriaus skyriaus dangtelio montavimas

**⚠️PERSPĖJIMAS:** Neįkiškite blokavimo rakto ir akumuliatoriaus kasetės, kol nesumontuosite akumuliatoriaus skyriaus dangtelio. Nesilaikant šių nurodymų, kyla pavojus sunkiai susižeisti.

Prieš darbą visiškai uždarykite akumuliatoriaus skyriaus dangtelį. Akumuliatoriaus skyriaus dangtelis apsaugo vejąplovę ir akumuliatoriaus kasetę nuo purvo, nešvarumų ir vandens.

1. Akumuliatoriaus skyriaus dangtelį uždėkite taip, kad ant vejąplovės esančios iškyšos sutaptų su akumuliatoriaus dangtyje esančiomis skylutėmis.

► **Pav.1:** 1. Iškyša 2. Skylutė 3. Akumuliatoriaus skyriaus dangtelis

2. Dėkite rankas ant akumuliatoriaus skyriaus dangtelio vidurio ir paspauskite jį.

► **Pav.2**

3. Prieš naudodami pirmą kartą, patikrinkite, ar tinkamai pritvirtinta akumuliatoriaus skyriaus dangtelio sukimosi ašis. Jei akumuliatoriaus skyriaus dangtelis uždėtas tinkamai, jis atsidarys tik patraukus už akumuliatoriaus skyriaus dangtelio svirties.

► **Pav.3:** 1. Sukimosi ašis 2. Akumuliatoriaus skyriaus dangtelio svirtis

## Rankenos montavimas

**PASTABA:** Montuodami rankenas, laidus nutieskite taip, kad niekas jų neįtrauktų tarp rankenų. Jei laidas pažeistas, vejąplovės jungiklis gali neveikti.

1. Abu apatinės rankenos galus stumkite į vejąplovės griovelius, tada visiškai priveržkite suveržimo varžtais.

► **Pav.4:** 1. Suveržimo varžtas 2. Apatinė rankena

2. Sulygiuokite viršutinės ir apatinės rankenų skylutes varžtais. Fiksuokite jas suveržimo varžtais ir veržlėmis.

► **Pav.5:** 1. Suveržimo veržlė 2. Suveržimo varžtas

**PASTABA:** Tvirtai laikykite už viršutinės rankenos, kad ji neiškristų jums iš rankos.

3. Pritvirtinkite laikiklius prie rankenos. Maitinimo tiekimo laidą nustatykite, kaip parodyta paveikslėlyje.

► **Pav.6:** 1. Laikiklis

## Mulčiavimo kaiščio nuėmimas

### *Pasirenkamasis priedas*

1. Atidarykite galinį dangtelį.

► **Pav.7:** 1. Galinis dangtelis

2. Mulčiavimo kaištį laikydami už rankenos, kaip parodyta paveikslėlyje, ištraukite iš vejąplovės korpuso.

► **Pav.8:** 1. Mulčiavimo kaištis 2. Rankena

## Žolės surinkimo krepšio montavimas

1. Atidarykite galinį dangtelį.

► **Pav.9:** 1. Galinis dangtelis

2. Prikabinkite žolės krepšį ant vejąplovės strypo, kaip parodyta paveikslėlyje.

► **Pav.10:** 1. Kablys 2. Strypas 3. Žolės surinkimo krepšys

## Mulčiavimo kaiščio uždėjimas

### *Pasirenkamasis priedas*

1. Atidarykite galinį dangtelį ir išimkite žolės surinkimo krepšį.

► **Pav.11:** 1. Galinis dangtelis 2. Žolės surinkimo krepšys

2. Mulčiavimo kaištį laikydami už rankenos, kaip parodyta paveikslėlyje, uždėkite ant vejąplovės korpuso.

► **Pav.12:** 1. Mulčiavimo kaištis 2. Rankena

## VEIKIMO APRAŠYMAS

### Akumuliatoriaus kasetės uždėjimas ir nuėmimas

**▲ PERSPĖJIMAS:** Prieš įdėdami arba išimdami akumuliatoriaus kasetę, visada išjunkite mašiną.

**▲ PERSPĖJIMAS:** Prieš pradėdami naudoti, įsitikinkite, ar akumuliatoriaus dangtelis užfiksuotas. Kitaip gali patekti purvo, nešvarumų arba vandens ir gaminyje arba akumuliatoriaus kasetėje gali sugesti.

**▲ PERSPĖJIMAS:** Akumuliatoriaus kasetę visada įkiškite iki galo, kol nebematysite raudono indikatorius. Kitaip ji gali atsiktinkinai iškristi iš mašinos ir sužeisti jus arba aplinkinius žmones.

**▲ PERSPĖJIMAS:** Nekiškite akumuliatoriaus kasetės jėga. Jeigu kasetė sunkiai lenda, ją kišate netinkamai.

**PASTABA:** Mašina neveikia tik su viena akumuliatoriaus kasete.

### Norėdami įdėti akumuliatoriaus kasetę;

1. Slinkite akumuliatoriaus skyriaus dangtelio svirtį savęs link ir atidarykite akumuliatoriaus skyriaus dangtelį.

► **Pav.13:** 1. Akumuliatoriaus skyriaus dangtelis  
2. Akumuliatoriaus skyriaus dangtelio svirtis

2. Sulygiuokite akumuliatoriaus kasetės liežuvėlį su grioveliu ir įstumkite kasetę, kad ji spragtelėdama užsifiksuotų.

► **Pav.14:** 1. Akumuliatoriaus kasetė

3. Iki galo įkiškite fiksavimo raktą į paveikslėlyje parodytą vietą.

► **Pav.15:** 1. Fiksavimo raktas

4. Uždarykite akumuliatoriaus skyriaus dangtelį ir spauskite jį tol, kol fiksavimo svirtis jį užsklės.

### Norėdami ištraukti akumuliatoriaus kasetę iš vejąplovės;

1. Slinkite akumuliatoriaus skyriaus dangtelio svirtį savęs link ir atidarykite akumuliatoriaus skyriaus dangtelį.

2. Stumdami mygtuką, esantį kasetės priekyje, ištraukite akumuliatoriaus kasetę iš vejąplovės.

3. Ištraukite fiksavimo raktą.

4. Uždenkite akumuliatoriaus skyriaus dangtelį.



## Mašinos / akumulatoriaus apsaugos sistema

Mašinoje įrengta mašinos / akumulatoriaus apsaugos sistema. Ši sistema automatiškai atjungia variklio maitinimą, kad įrankis ir akumulatorius ilgiau veiktų. Susidarius vienai iš toliau nurodytų mašinos arba akumulatoriaus darbo sąlygų, mašina darbo metu automatiškai išsijungs.

### Apsauga nuo perkrovos

Kai mašina naudojama taip, kad neįprastai padidėja naudojama elektros srovė, mašina automatiškai sustoja be jokių indikacijų. Tokiu atveju išjunkite įrenginį ir nutraukite darbą, dėl kurio kilo perkrova. Tada vėl įjunkite įrenginį.

### Apsauga nuo perkaitimo

Kai mašina perkaista, ji automatiškai sustoja. Palaukite, kol mašina atvės, prieš vėl ją įjungdami.

### Apsauga nuo visiško išsikrovimo

Kai likusi akumulatoriaus galia tampa per maža, mašina automatiškai sustoja. Jeigu gaminyje neveikia net ir spaudžiant jungiklius, akumulatorius išimkite iš mašinos ir įkraukite.

## Likusios akumulatoriaus galios rodymas

► **Pav.16:** 1. Akumulatoriaus indikatorius


















Kai likusi akumulatoriaus galia tampa maža, atitinkamo akumulatoriaus pusėje pradeda žybcioti akumulatoriaus indikatorius. Toliau naudojant mašiną, ji išsijungia ir užsidega akumulatoriaus indikatorius, kuris šviečia maždaug 10 sekundžių. Tokiu atveju įkraukite akumulatoriaus kasetę.

## Likusios akumulatoriaus galios rodymas

**Tik akumulatoriaus kasetėms su indikatoriumi**

► **Pav.17:** 1. Indikatorių lemputės 2. Tikrinimo mygtukas

Paspauskite akumulatoriaus kasetės tikrinimo mygtuką, kad būtų rodoma likusi akumulatoriaus energija. Maždaug trims sekundėms užsidegs indikatorių lemputės.

Indikatorių lemputės			Likusi galia
Šviečia	Nešviečia	Blyksi	
			
			75 - 100 %
			50 - 75 %
			25 - 50 %
			0 - 25 %
			Įkraukite akumulatorių.
			Galimai įvyko akumulatoriaus veikimo triktis.
			

**PASTABA:** Rodmuo gali šiek tiek skirtis nuo faktinės energijos lygio – tai priklauso nuo naudojimo sąlygų ir aplinkos temperatūros.

## Jungiklio veikimas

**▲JSPĖJIMAS:** Prieš įdėdami akumulatoriaus kasetę, visada patikrinkite, ar svirtinis jungiklis veikia tinkamai ir atleistas sugrįžta į pradinę padėtį. Naudojant mašiną, kurios jungiklis netinkamai veikia, galima jos nesuvaldyti ir sunkiai susižaloti.

**PASTABA:** Nepaspausdus įjungimo mygtuko, vejojavė nepasileidžia net ir patraukus už svirtinio jungiklio.

**PASTABA:** Vejojavė variklis gali būti neužvestas dėl perkrovos, kai vienu metu pjaunate ilgai ar tankiai žolę. Tokiu atveju padidinkite pjovimo aukštį.

Šioje vejojavėje įrengtas blokavimo jungiklis ir ranke- nos jungiklis. Jeigu pastebėtumėte, kad kuris nors iš šių jungiklių veikia neįprastai, tuoj pat nutraukite darbą ir pasirūpinkite, kad jie būtų patikrinti artimiausiam „Makita“ įgaliotajame techninės priežiūros centre.

1. Įdėkite akumulatoriaus kasetes. Įkiškite fiksavimo raktą į blokavimo jungiklį, tada uždenkite akumulatoriaus skyriaus gaubtą.

► **Pav.18:** 1. Akumulatoriaus kasetė 2. Fiksavimo raktas

2. Paspauskite mygtuką ir jį palaikykite.

3. Suimkite už viršutinės rankenos ir patraukite už svirtinio jungiklio.

► **Pav.19:** 1. Mygtukas 2. Svirtinis jungiklis

4. Kai tik variklis pasileidžia, įjungimo mygtuką atleiskite. Vejojavė veiks, kol neatleisite svirtinio jungiklio.

5. Jeigu norite išjungti variklį, atleiskite svirtinį jungiklį.

## Žolės pjovimo aukščio reguliavimas

**▲JSPĖJIMAS:** Reguliuodami žolės pjovimo aukštį, niekada neikiškite rankų ar kojų po vejojavės korpusu.

**▲JSPĖJIMAS:** Prieš pradėdami darbą, visada įsitinkinkite, ar svirtis tinkamai įtaisyta griovelyje.

Žolės pjovimo aukštį galima reguliuoti nuo 20 mm iki 75 mm.

1. Ištraukite fiksavimo raktą.

2. Patraukite žolės pjovimo aukščio reguliavimo svirtį vejojavės korpuso išorės link ir nustatykite ją ties norimu žolės pjovimo aukščiu.

► **Pav.20:** 1. Žolės pjovimo aukščio reguliavimo svirtis

**PASTABA:** Žolės pjovimo aukščio paveikslėliai yra tik orientacinio pobūdžio. Atsižvelgiant į vejos ar žemės paviršiaus sąlygas, faktinis vejos aukštis gali šiek tiek skirtis nuo nustatytojo.

**PASTABA:** Pradžioje pabandykite pjauti žolę mažiau pastebimoje vietoje, kad nustatytumėte pageidaujamą aukštį.

## Žolės lygio indikatorius

► **Pav.21:** 1. Žolės lygio indikatorius

Žolės lygio indikatorius rodo nupjautos žolės kiekį.

- Kai žolės surinkimo krepšys nepilnas, pjaunant žolę indikatorius juda.
- Kai žolės surinkimo krepšys pilnas, pjaunant žolę indikatorius nejuda. Tokiu atveju tuoj pat liaukitės pjovę žolę ir ištuštinkite krepšį. Ištuštinę krepšį, išvalykite jį, kad pro tinklę galėtumėte išseiti oras.

**PASTABA:** Šis indikatorius nėra tikslus kontrolinis įtaisas. Atsižvelgiant į krepšio viduje esančias sąlygas, šis indikatorius gali veikti netinkamai.

## Mulčiavimo kaiščio naudojimas

### *Pasirenkamasis priedas*

Mulčiavimo kaištis leidžia gražinti nupjautą žolę ant žemės paviršiaus, kad ji nesikaupytų žolės surinkimo krepšyje. Mašiną naudojant su mulčiavimo kaiščiu, būtina nuimti žolės surinkimo krepšį.

**PASTABA:** Mašiną naudodami su mulčiavimo kaiščiu, užtikrinkite, kad bendras žolės ilgis po pjovimo būtų 30 mm ar didesnis, o pjovimo ilgis būtų 15 mm ar mažesnis.

► **Pav.22:** (1) 30 mm ar daugiau (2) 15 mm ar mažiau

## NAUDOJIMAS

### Žolės pjovimas

**▲JSPĖJIMAS:** Prieš pradėdami pjauti žolę, surinkite nuo vejos šakas ir akmenis. Prieš pradėdami pjauti žolę, taip pat ištraukite visas piktžoles.

**▲JSPĖJIMAS:** Naudodami vejaplovę, visada dėvėkite apsauginius akinius arba apsauginius akinius su šoniniais apsauginiais skydais.

**▲PERSPĖJIMAS:** Jei nupjauta žolė ar svetimkūnis užblokuoja vejaplovės korpuso vidų, prieš pašalindami žolę ar svetimkūnį, būtina nuimkite blokavimo raktą ir akumulatoriaus kasetę ir šalindami žolę ar svetimkūnį mūvėkite pirštines.

**PASTABA:** Įrenginį naudokite tik vejai pjauti. Šiuo įrenginiu nepjaukite piktžolių.

► **Pav.23**

Pjaudami žolę, tvirtai abiem rankomis laikykite rankeną.

Pjovimo greičio orientyras yra maždaug 1 metras per 4 sekundes.

► **Pav.24**

Priekinių ratų išoriniai kraštai yra pjovimo pločio orientyrai. Priekinių ratų išorinius kraštus naudodami kaip orientyrus, pjaukite juostomis. Norėdami tolygiai nupjauti veją, pjaudami naują juostą, perdenkite nuo pusės iki trečdallo ankstesnės juostos.

► **Pav.25:** 1. Pjovimo plotis 2. Persidengianti sritis 3. Išorinis kraštas

Kaskart pakeiskite pjovimo kryptį, kad vejos pjovimo raštas nesusiformuotų tik viena kryptimi.

► **Pav.26**

Reguliariai tikrinkite nupjautos žolės surinkimo krepšį. Ištuštinkite krepšį, kol jis dar nėra pilnas. Prieš kiekvieną reguliarią patikrinimą būtina sustabdykite vejaplovę, tada ištraukite fiksavimo raktą ir akumulatoriaus kasetę.

**PASTABA:** Naudojant vejaplovę su pilnu žolės surinkimo krepšiu, peiliai negali tolygiai sukstis, o varikliui tenka papildoma apkrova, todėl jis gali sugesti.

## Aukštos žolės pjovimas

Nebandykite nupjauti žolės per vieną kartą. Ją pjaukite tam tikrais etapais. Tarp pjovimų palaukite dieną, kol veją nupjausite tolygiai.

**PASTABA:** Nupjovus ilgą žolę iki trumpo ilgio per vieną kartą, ji gali nuyvsti. Nupjauta žolė taip pat gali susikaupyti vejaplovės korpuse.

## Žolės surinkimo krepšio ištuštinimas

**▲JSPĖJIMAS:** Norėdami sumažinti nelaimingų atsitikimų pavojų, reguliariai tikrinkite žolės surinkimo krepšį, ar jis nesugadintas arba nesuįplėnėjęs. Jei reikia, pakeiskite žolės surinkimo krepšį.

1. Atleiskite svirtinį jungiklį.
  2. Ištraukite fiksavimo raktą.
  3. Atidarykite galinį gaubtą ir nuimkite žolės surinkimo krepšį, suėmę jį už jo rankenos.
- **Pav.27:** 1. Galinis dangtelis 2. Rankena
4. Išplikite žolę iš žolės surinkimo krepšio.

## TECHNINĖ PRIEŽIŪRA

**▲JSPĖJIMAS:** Prieš pastatydami vejaplovę į vietą arba ją nešdami, prieš pradėdami jos tikrinimo arba techninės priežiūros darbus, visuomet įsitikinkite, ar blokavimo raktas ištrauktas, o akumulatoriaus kasetė išimta.

**▲JSPĖJIMAS:** Kai vejaplovės nenaudojate, visada išimkite fiksavimo raktą. Fiksavimo raktą laikykite saugioje, vaikams nepasiekiamoje vietoje.

**▲JSPĖJIMAS:** Atliekami patikrinimo arba techninės priežiūros darbus, mūvėkite pirštines.

**▲JSPĖJIMAS:** Naudodami arba prižiūrėdami vejaplovę, visada dėvėkite apsauginius akinius arba apsauginius akinius su šoniniais apsauginiais skydais.

**PASTABA:** Niekada nenaudokite gazolino, benzino, tirpiklio, spirito arba panašių medžiagų. Gali atsirasti išblukimų, deformacijų arba įtrūkimų.

Kad gaminsys būtų SAUGUS ir PATIKIMAS, jį taisyti, apžiūrėti ar vykdyti bet kokią kitą priežiūrą ar derinimą turi įgaliotasis kompanijos „Makita“ techninės priežiūros centras; reikniausio tik kompanijos „Makita“ pagamintas atsarginis dalis.

## Priežiūra

1. Ištraukite fiksavimo raktą. Laikykite jį saugioje, vaikams nepasiekiamoje vietoje.
2. Nuvalykite vejamąvę drėgnu skudurėliu. Valydami vejamąvę, nepurkškite ir nepilkite ant jos vandens.
3. Padėkite vejamąvę ant šono ir nuvalykite žolės nuopjovas, susikaupusias vejamąvės dugno apačioje.
4. Patikrinkite, ar tvirtai priveržtos visos veržlės, sraigčiai, rankenėlės, varžtai, tvirtinimo dalys ir pan.
5. Apžiūrėkite visas judamąsias dalis, ar jos nėra sugadintos, sulūžusios ar nusidėvėjusios. Sugadintas arba trūkstantis dalis reikia remontuoti arba keisti naujomis.

## Laikymas

**⚠️ JSPĖJIMAS:** Nešdami arba gabendami vejamąvę saugoti, laikykite ne už sudedamų rankenų, o už vejamąvės priekinės rankenos. Laikant už sudedamų rankenų galima sunkiai susižeisti arba sugadinti vejamąvę.

Prieš pastatydami vejamąvę į vietą, iš jos ištraukite akumulatoriaus kasetę ir blokavimo raktelį. Vejamąvę laikykite vėsioje sausoje rakinamoje patalpoje. Vejamąvės ir kroviklio nelaikykite tokiose vietose, kur temperatūra gali siekti arba viršyti 40 °C.

► **Pav.28:** 1. Priekinė rankena 2. Galinė rankena

1. Atlaisvinkite suveržimo varžtus ir į abi puses ištieskite apatinę rankeną. Stumkite rankeną į priekį. Tuo metu tvirtai laikykite suėmę už apatinės rankenos, kad ji nenukristų į tolimąją vejamąvės korpuso pusę.

► **Pav.29:** 1. Suveržimo varžtas 2. Apatinė rankena

2. Atlaisvinkite suveržimo varžtus ir pakreipkite viršutinę rankeną atgal, tuo pačiu metu ją plėskite į abi puses.

► **Pav.30:** 1. Suveržimo veržlė 2. Viršutinė rankena

3. Žolės surinkimo krepšį laikykite tarp rankenos ir vejamąvės korpuso.

► **Pav.31:** 1. Žolės surinkimo krepšys

**PASTABA:** Statydami vejamąvę vertikaloje padėtyje, laikykite ne už rankenos, o už vejamąvės priekinės rankenos.

## Vejamąvės peilio uždėjimas ir nuėmimas

**⚠️ JSPĖJIMAS:** Nuimdami arba montuodami peilį, visada ištraukite fiksavimo raktą ir akumulatoriaus kasetę. Neištraukus fiksavimo rakto ir akumulatoriaus kasetės, galima sunkiai susižeisti.

**⚠️ JSPĖJIMAS:** Atleidus jungiklį, peilis sukasi iš inercijos dar kelias sekundes. Kol peilis visiškai nesustojo, nepradėkite dirbti.

**⚠️ JSPĖJIMAS:** Montuodami peilį, visuomet mūvėkite pirštines.

## Vejamąvės peilio nuėmimas

### Skirta DLM382

1. Paverskite vejamąvę ant šono taip, kad žolės pjovimo aukščio reguliavimo svirtis būtų viršuje.
2. Kad peilis nepasisuktų, į vejamąvės korpusę esančią angą įstatykite atsuktuvą arba panašų įrankį.
3. Veržliarakčiu sukite varžtą prieš laikrodžio rodyklę.  
► **Pav.32:** 1. Vejamąvės peilis 2. Atsuktuvas 3. Veržliaraktis
4. Eilės tvarka nuimkite varžtą ir peilį.  
► **Pav.33:** 1. Peilio laikiklis 2. Vejamąvės peilis 3. Varžtas

### Skirta DLM432

1. Paverskite vejamąvę ant šono taip, kad žolės pjovimo aukščio reguliavimo svirtis būtų viršuje.
2. Kad peilis nepasisuktų, į vejamąvės korpusę esančią angą įstatykite atsuktuvą arba panašų įrankį.
3. Veržliarakčiu sukite varžtą prieš laikrodžio rodyklę.  
► **Pav.34:** 1. Vejamąvės peilis 2. Atsuktuvas 3. Veržliaraktis
4. Išsukite varžtą, paeilui nuimkite šoninę jungę, vejamąvės peilį ir vidinę jungę.  
► **Pav.35:** 1. Vidinė jungė 2. Vejamąvės peilis 3. Išorinė jungė 4. Varžtas

## Vejamąvės peilio įdėjimas

Jei norite sumontuoti vejamąvės peilį, vykdykite nuėmimo procedūrą atvirkščia tvarka.

**⚠️ JSPĖJIMAS:** Atidžiai uždėkite vejamąvės peilį. Jis turi viršutinę / apatinę puses. Peilį uždėkite taip, kad sukimosi krypties rodyklė būtų nukreipta išorėn.

**⚠️ JSPĖJIMAS:** Tvirtai užveržkite sraigta, sudami jį pagal laikrodžio rodyklę, kad užtvirtintumėte peilį.

**⚠️ JSPĖJIMAS:** Įsitinkinkite, kad vejamąvės peilis ir visos tvirtinamosios detalės gerai uždėti ir priveržti.

**⚠️ JSPĖJIMAS:** Peilius visada keiskite laikydamiesi šiam vadove pateiktų instrukcijų.

# GEDIMŲ ŠALINIMAS

Prieš kreipdamiesi dėl remonto darbų, pirmiausia patikrinkite gedimus patys. Kilus problemų, apie kurias nepaaiškinta vartotojo vadove, nemėginkite ardyti įrankio. Kreipkitės į įgaliotuosius „Makita“ techninės priežiūros centrus, kuriuose remontui visuomet naudojamos originalios „Makita“ keičiamosios dalys.

Neįprasta būklė	Tikėtina priežastis (triktis)	Ištaisomoji priemonė
Vejapjovė nepaleidžiama.	Neįdėtos dvi akumuliatoriaus kasetės.	Įdėkite įkrauto akumuliatoriaus kasetes.
	Akumuliatoriaus problema (per maža įtampa)	Įkraukite akumuliatoriaus kasetę. Jei įkrauti nepavyksta, pakeiskite akumuliatoriaus kasetę.
	Neįdėtas fiksavimo raktas.	Įkiškite fiksavimo raktą.
Po trumpo naudojimo variklis nustoja veikęs.	Žemas akumuliatoriaus įkrovos lygis.	Įkraukite akumuliatoriaus kasetę. Jei įkrauti nepavyksta, pakeiskite akumuliatoriaus kasetę.
	Pjovimo aukštis per mažas.	Padidinkite pjovimo aukštį.
Variklis nepasiekia didžiausių apsisukimų per minutę.	Netinkamai įdėta akumuliatoriaus kasetė.	Akumuliatoriaus kasetę įdėkite, kaip aprašyta šiame vadove.
	Akumuliatoriaus galia mažėja.	Įkraukite akumuliatoriaus kasetę. Jei įkrauti nepavyksta, pakeiskite akumuliatoriaus kasetę.
	Netinkamai veikia pavaros sistema.	Dėl remonto kreipkitės į vietinį įgaliotąjį techninės priežiūros centrą.
Vejapjovės peilis nesisuka: ⇒ nedelsdami sustabdykite vejapjovę!	Šalia peilio įstrigo pašalinis objektas, pvz., šaka.	Pašalinkite pašalinį objektą.
	Netinkamai veikia pavaros sistema.	Dėl remonto kreipkitės į vietinį įgaliotąjį techninės priežiūros centrą.
Neįprasta vibracija: ⇒ nedelsdami sustabdykite vejapjovę!	Peilis nesubalansuotas, pernelyg ar netolygiai nusidėvėjęs.	Pakeiskite peilį.

## PASIRENKAMI PRIEDAI

**⚠ PERSPĖJIMAS:** Šiuos papildomus priedus arba įtaisus rekomenduojama naudoti su šioje instrukcijoje nurodytu „Makita“ bendrovės įrankiu. Naudojant bet kokius kitus papildomus priedus arba įtaisus, gali kilti pavojus sužeisti žmones. Naudokite tik nurodytam tikslui skirtus papildomus priedus arba įtaisus.

Jeigu norite daugiau sužinoti apie tuos priedus, kreipkitės į artimiausią „Makita“ techninės priežiūros centrą.

- Vejapjovės peilis
- Mulčiavimo kaištis
- Originalūs „Makita“ akumuliatoriai ir įkroviklis

**PASTABA:** Kai kurie sąraše esantys priedai gali būti pateikti įrankio pakuotėje kaip standartiniai priedai. Jie įvairiose šalyse gali skirtis.

## TEHNILISED ANDMED

Mudel:	DLM382	DLM432
Niitmislaius (tera läbimõõt)	380 mm	430 mm
Koormuseta kiirus	3 700 min <sup>-1</sup>	3 600 min <sup>-1</sup>
Vahetatava niiduki tera osa number	191D41-2	191D43-8
Mõõtmed (P × L × K)	töötamise ajal	P: 1 380 mm kuni 1 410 mm L: 450 mm K: 985 mm kuni 1 005 mm
	hoiustatult (ilma murukogujata)	860 mm × 450 mm × 475 mm
Nimipinge	Alalisvool 36 V	
Netokaal	15,0 - 16,5 kg	15,4 - 17,1 kg

- Meie pideva uuringu- ja arendusprogrammi tõttu võidakse tehnilisi andmeid muuta ilma sellest ette teatamata.
- Tehnilised andmed võivad riigiti erineda.
- Kaal võib erineda olenevalt lisaseadistest, kaasa arvatud akukassetist. Kergeim ja raskeim kombinatsioon EPTA-protseduuri 01/2014 kohaselt on toodud tabelis.

## Sobiv akukassett ja laadija

Akukassett	BL1815N / BL1820 / BL1820B / BL1830 / BL1830B / BL1840 / BL1840B / BL1850 / BL1850B / BL1860B
Laadija	DC18RC / DC18RD / DC18RE / DC18SD / DC18SE / DC18SF / DC18SH

- Mõned eespool loetletud akukassetid ja -laadijad ei pruugi olla teie riigis saadaval.

**⚠ HOIATUS:** Kasutage ainult ülalpool loetletud akukasseid ja laadijaid. Muude akukassettide ja laadijate kasutamine võib tekitada vigastusi ja/või tulekahju.


**⚠ HOIATUS:** Ärge kasutage selle masinaga juhtmega vooluvarustust nagu akuadapter või portatiivne akukomplekt. Sellise vooluvarustuse juhe võib tööd takistada ja põhjustada kehavigastusi.


## Sümbolid


Alljärgnevalt kirjeldatakse tingimärke, mida võidakse seadmetel kasutada. Enne seadme kasutamist tehke endale selgeks nende tähendus.


 Olge äärmiselt ettevaatlik ja tähelepanelik.

 Lugege juhendit.

 Ohtlik; pidage silmas ohkupaiskuvaid objekte.

 Seadme ja kõrvalseisjate vaheline vahekaugus peab olema vähemalt 15 m.

 Ärge pange kunagi käsi või jalgu niiduki all oleva tera lähedusse. Terad jätkavad pöörlemist ka pärast mootori väljalülitamist.

 Eemaldage lukustusvõti enne niiduki kontrollimist, reguleerimist, puhastamist, hooldamist, järelevalveta jätmist ja hoiustamist.



Ainult EL-i riikide puhul  
Ärge visake elektriseadmeid ja akusid ära koos majapidamisjäätmetega!  
Vastavalt Euroopa Parlamendi ja Nõukogu direktiividele elektri- ja elektroonikaseadmete jäätmete kohta ning patareide ja akude ning patarei- ja akujäätmete kohta ning nende nõuete kohaldamisele liikmesriikides tuleb kasutuskõlbmatuks muutunud elektriseadmed ja akud koguda eraldi ning keskkonnasäästlikult korduv kasutada või ringlusse võtta.

## Kavandatud kasutus

Masin on ette nähtud muru niitmiseks.

## Müra

Tüüpiline A-korrigeeritud müratase, määratud standardi EN60335-2-77 kohaselt:

### Mudel DLM382

Helirõhutase ( $L_{pA}$ ): 81 dB (A)

Helivõimsuse tase ( $L_{WA}$ ): 91 dB (A)

Määramatus (K): 3 dB (A)

### Mudel DLM432

Helirõhutase ( $L_{pA}$ ): 81 dB (A)

Helivõimsuse tase ( $L_{WA}$ ): 92 dB (A)

Määramatus (K): 3 dB (A)

**MÄRKUS:** Deklareeritud müra väärtust (väärtuseid) on mõõdetud kooskõlas standardse katsemeetodiga ning seda võib kasutada ühe seadme võrdlemiseks teisega.

**MÄRKUS:** Deklareeritud müra väärtust (väärtuseid) võib kasutada ka mürataseme esmaseks hindamiseks.

**▲HOIATUS:** Kasutage kõrvakaitsmeid.

**▲HOIATUS:** Müratase võib elektritööriista tegelikkuses kasutamise ajal erineda deklareeritud väärtust(t)est olenevalt tööriista kasutusviisidest ja eriti töödeldavast toorikust.

**▲HOIATUS:** Rakendage operaatori kaitsmiseks kindlasti piisavaid ohutusabinõusid, mis põhinevad hinnangulisel müratasemel tegelikus töösihtsuolis (võttes arvesse tööperioodi kõiki osasid, näiteks korrad, kui seade lülitatakse välja ja seade töötab tühikäigul, lisaks tööajale).

## Vibratsioon

Vibratsiooni koguväärtus (kolmeteljeliste vektorite summa) määratud standardi EN60335-2-77 kohaselt:

### Mudel DLM382

Vibratsiooniheide ( $a_{h1}$ ): 2,5 m/s<sup>2</sup> või vähem

Määramatus (K): 2,0 m/s<sup>2</sup>

### Mudel DLM432

Vibratsiooniheide ( $a_{h1}$ ): 2,5 m/s<sup>2</sup> või vähem

Määramatus (K): 1,5 m/s<sup>2</sup>

**MÄRKUS:** Deklareeritud vibratsiooni koguväärtust (-väärtuseid) on mõõdetud kooskõlas standardse katsemeetodiga ning seda võib kasutada ühe seadme võrdlemiseks teisega.

**MÄRKUS:** Deklareeritud vibratsiooni koguväärtust (-väärtuseid) võib kasutada ka mürataseme esmaseks hindamiseks.

**▲HOIATUS:** Vibratsioonitase võib elektritööriista tegelikkuses kasutamise ajal erineda deklareeritud väärtust(t)est olenevalt tööriista kasutusviisidest ja eriti töödeldavast toorikust.

**▲HOIATUS:** Rakendage operaatori kaitsmiseks kindlasti piisavaid ohutusabinõusid, mis põhinevad hinnangulisel müratasemel tegelikus töösihtsuolis (võttes arvesse tööperioodi kõiki osasid, näiteks korrad, kui seade lülitatakse välja ja seade töötab tühikäigul, lisaks tööajale).

## EÜ vastavusdeklaratsioon

### Ainult Euroopa riikide puhul

EÜ vastavusdeklaratsioon sisaldub käesoleva juhendi Lisas A.

## OHUTUSHOIATUSED

### TÄHTSAD OHUTUSJUHISED

**▲HOIATUS:** Lugege läbi kõik ohutushoiatused ja juhtnöörid. Hoiatuste ja juhtnööride mittejärgmine võib põhjustada elektrišokki, tulekahju ja/või tõsisid vigastusi.

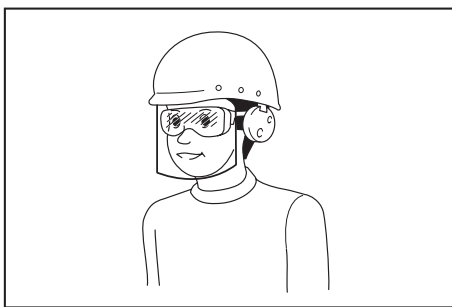
## Hoidke edaspidisteks viideteks alles kõik hoiatused ja juhtnöörid.

### Õpe

1. Lugege tähelepanelikult juhiseid. Õppige põhjalikult tundma niiduki juhtimisseadiseid ja õiget kasutamist.
2. Mitte mingil juhul ärge lubage niidukit kasutada lastel ega isikutel, kes pole tutvunud kasutusjuhendiga. Kohalikud määrad võivad seada piiranguid kasutaja vanusele.
3. Ärge kunagi kasutage niidukit siis, kui läheduses viibivad inimesed (eriti lapsed) või lemmikloomad.
4. Pidage meeles, et muruniiduki omanik või kasutaja vastutab teistele isikutele põhjustatud vigastuste või nende varale tekitatud kahjustuste eest.
5. Jälgige, et lapsed niidukiga ei mängiks.
6. Füüsiline seisund – ärge kasutage niidukit, kui olete uimastite, alkoholi või ravimite mõju all.

### Ettevalmistus

1. Kandke niidukiga töötamise ajal alati tugevaid jalatseid ja pikki pükse. Ärge töötage niidukiga, kui olete paljajalu või kannate lahtisi sandaale. Vältige liiga avarate ja rippuvate lipsude või nööridega riiete või ehete kandmist. Need võivad liikuvate osade vahele kinni jääda.
2. Enne kasutamist kontrollige visuaalselt, et niiduki kaitsmed ega katted poleks kahjustunud, kadunud või vales kohas.
3. Enne niitmise alustamist veenduge, et niidetaval alal poleks teisi inimesi. Seisake niiduk, kui keegi siseneb niidetavale alale.
4. Ärge sisestage lukustusvõtit niidukisse, kuni see pole kasutamiseks valmis.
5. Kandke elektritööriista kasutades oma silmade vigastuse eest kaitsmiseks alati kaitseprille. Prillid peavad vastama USA-s standardile ANSI Z87.1, Euroopas standardile EN 166 või Austraalias/Uus-Meremaal standardile AS/NZS 1336. Austraalias/Uus-Meremaal on näo kaitsmiseks seadusega nõutud ka näokaitsme kasutamine.



Töõandja kohustus on nõuda, et tööriista operaatorid ja teised tööpiirkonnas viibivad isikud kannaksid sobivat ohutusvarustust.

6. Kontrollige löiketerasid või terapolte enne kasutamist hoolikalt mõrde või kahjustuste suhtes. Vahetage mõranenud või kahjustatud löiketerad või löiketerade poldid kohe välja.
7. Eemaldage võõrkehade (nt kivid, traadijupid, pudedel, luud ja suuremad oksad) niidetavalt alalt enne niitmise alustamist, et vältida tervisekahjustusi ja niiduki kahjustamist.
8. Kui niiduki löiketera tabab mõnda eset, võib see põhjustada tõsiseid tervisekahjustusi. Muru tuleb enne niitmist alati tähelepanelikult kontrollida ja kõigist esemetest puhastada.
9. Jälgige auke, rõõpaid, muhke, kive või muid varjatud esemeid. Ebatasane maapind võib põhjustada libisemist ja kukkumist. Pika muru sisse võivad olla peidetud takistused.

#### Kasutamine

1. Ärge küünitage liiga kaugele ette. Hoidke alati tasakaalu. Jälgige kallakutel alati, et teil oleks kindel jalgealune. Kõndige, ärge kunagi jookse.
  2. Seisake niiduk ja eemaldage lukustusvõti ning veenduge, et kõik liikuvad osad oleks täielikult peatunud:
    - alati, kui niiduki juurest lahkute;
    - enne niidukist takistuste või väljaviskerennist ummistuste eemaldamist;
    - enne niiduki kontrollimist, puhastamist või hooldamist;
    - pärast seda, kui löiketera on võõrkeha tabanud. Kontrollige, et niidukil poleks kahjustusi, ning tehke kõik vajalikud remonditööd enne selle taaskäivitamist ja niitmise jätkamist
  3. Ärge kasutage kunagi niidukit, mille kaitsekatted on defektised või mille ohutusseadised (nt suunaja ja/või murukogur) on eemaldatud.
  4. Vältige niiduki kasutamist halva ilmaga, eriti kui valitseb äikesehoht.
  5. Niidukiga töötamisel peavad silmad olema alati kaitstud ja tuleb kanda toekaid jalanõusid.
  6. Töötage niidukiga ainult päevavalguses või hea tehisvalgustuse olemasolul.
  7. Niiduki sisselülitamisel järgige tähelepanelikult juhtnõore ja hoidke jalad löiketera(de)st eemal.
  8. Olge tähelepanelik, et te ei vigastaks niiduki teradega oma jalgu ega käsi.
9. Kandke hoolt selle eest, et ventilatsiooniavad oleksid alati prahist puhtad.
  10. Niitke kallakuid küljelt küljele ja mitte kunagi ülevalt alla või alt üles. Olge kallakutel liikumissuunda muutes äärmiselt ettevaatlik. Ärge niitke liiga järskudel kallakutel.
  11. Olge eriti ettevaatlik niidukit tagurpidi liigutades või enda poole tõmmates.
  12. Seisake löiketera(d), kui niidukit tuleb kallutada, et liikuda üle alade, mis ei ole muruga kaetud, ning siis, kui viite niidukit niitmisalale või sealt ära.
  13. Ärge kallutage niidukit, kui mootorit sisse lülitate, v.a juhul, kui see on käivitamiseks vajalik. Sellisel juhul ärge kallutage niidukit rohkem kui vaja ning tõstke ainult seda osa, mis jääb kasutajast eemale. Enne niiduki maapinnale tagasi asetamist veenduge alati, et mõlemad käed oleksid tööasendis.
  14. Ärge pange käsi ja jalgu pöörlevate osade lähedale ega nende alla. Hoidke väljaviskeava alati takistustest puhtana.
  15. Ärge transportige niidukit, kui see on sisse lülitatud.
  16. Vältige niiduki kasutamist märjas rohus.
  17. Ärge kasutage kunagi niidukit vihma ajal.
  18. Hoidke alati käepidemest kindlalt kinni.
  19. Ärge haarake niidukit hoides või üles tõstes katmata löiketeradest või -servadest.
  20. Hoidke käed ja jalad pöörlevatest löiketeradest eemal. Ettevaatust! Toite väljalülitamise järel pöörlevad terad vaba hooga edasi.
  21. Kui märkate midagi ebatavalist, lõpetage kohe töö. Lülitage niiduk välja ja eemaldage lukustusvõti. Seejärel kontrollige niidukit.
  22. Kui niidukil on löikekõrguse reguleerimise võimalus, ärge püüdke reguleerida niitmiskõrgust niiduki töötmise ajal.
  23. Vabastage hooblülitit ja oodake löiketera seiskumist, enne kui sõidate niidukiga üle sisesõiduteede, kõnniteede, teede või kruusaga kaetud alade. Samuti eemaldage lukustusvõti, kui lahkute niiduki juures, küünitate midagi oma teelt üles võtma või eemaldama, või mõne muu põhjuse korral, mis ei lase teil oma tegevusele keskenduda.
  24. Kui niiduki löiketera tabab võõrkeha, toimige järgmiselt:
    - Peatage niiduk, vabastage hooblülitit ja oodake, kuni löiketera on täielikult seiskunud.
    - Eemaldage lukustusvõti ja akukassett.
    - Kontrollige niidukit põhjalikult igasuguste kahjustuste suhtes.
    - Vahetage löiketera välja, kui see on mingil moel kahjustada saanud. Enne niiduki taaskäivitamist ja töö jätkamist parandage kõik kahjustused.
  25. Ärge seiske seadet käivitamise ajal väljaviskeava ees.
  26. Kui niiduk hakkab ebanormaalselt vibreerima, siis
    - kontrollige seda kohe kahjustuste suhtes;
    - asendage või parandage kõik kahjustunud osad;
    - kontrollige osade pingust ja pinguldage lahitud osad.

27. **Ärge kunagi suunake välja heidetavat materjali kellegi poole. Välistage materjali seinale või takistusele heitmist.** Materjal võib kasutaja poole tagasi lennata. Kruusapindade ületamisel seisake tera.
28. **Tõmmake niidukit tagasisuunas ainult äärmisel juhul.** Kui peate niidukit aia või muu sarnase takistuse juurest eemale tõmbama, vaadake enne tagasisuunas liikumist alla ja seljataha.
29. **Enne murupüüduuri eemaldamist lülitage mootor välja ja oodake, kuni tera on täielikult peatunud.** Olge ettevaatlik, sest terad liiguvad pärast väljalülitamist vabakäiguga edasi.

#### Hooldus ja hoiudamine

1. **Ohutuse tagamiseks vahetage kulunud või kahjustunud osad uute vastu. Kasutage ainult originaalvaruosi ja -tarvikuid.**
2. **Kontrollige ja hooldage niidukit regulaarselt.**
3. **Kui niidukit ei kasutata, hoidke seda lastele kättesaamatus kohas.**
4. **Seadme ohutu talituse tagamiseks hoidke kõik mutrid, poldid ja kruvid tugevasti pinguldatusena.**
5. **Kontrollige murukogurit sageli kulumise või muul viisil kahjustumise suhtes. Enne hoiustamist veenduge alati, et murukogur oleks tühi. Ohutuse tagamiseks asendage kulunud murukogur alati tootja originaalosaga.**
6. **Kasutage ainult juhendis kirjeldatud tootja originaalõiketeri.**
7. **Olge niiduki reguleerimisel ettevaatlik, et vältida sõrmede muljumist niiduki fikseeritud osade ja liikuvate lõiketerade vahele.**
8. **Ärge peske voolava veega; vältige vee sattumist mootorisse ja elektriühendustesse.**
9. **Kontrollige lõiketera fiksaatorpoliti regulaarselt korrektse pinguse suhtes.**
10. **Laske niidukil alati enne hoiustamist maha jahtuda.**
11. **Olge lõiketerade hooldamisel teadlik sellest, et kuigi toide on välja lülitatud, võivad lõiketerad siiski liikuda.**
12. **Ärge kunagi eemaldage ega muutke omavoliliselt kaitseseadmeid. Kontrollige nende töökorra regulaarselt. Ärge kunagi tehke midagi, mis häiriks kaitseseadme kavandatud funktsiooni või vähendaks kaitseseadme kaitsevõimet.**

#### Akuga tööriista kasutamine ja hooldus

1. **Laadige alati laadijaga, mille tootja on heaks kiitnud.** Laadija, mis sobib kasutamiseks ühte tüüpi akuga, võib kaasa tuua tulekahjuohtu, kui seda kasutada koos mõnda teist tüüpi akuga.
2. **Kasutage elektritööriistu üksnes spetsiaalselt neile toodetud akudega.** Mis tahes muude akude kasutamine võib tekitada tervisekahjustusi või tulekahjuohtu.
3. **Kui akut ei kasutata, ärge hoidke seda koos muude metalliesemetega, nagu kirjaklambrid, mündid, võtmed, naelad, kruvid jm väiksed metalliesemed, mis võivad tekitada ühenduse klemmide vahel.** Akuklemmide lühis võib põhjustada põletusi ja tulekahjuohtu.

4. **Väärkasutamise tagajärjel võib akut valguda välja vedelikku; ärge seda puudutage. Kui olete selle vedelikuga siiski kogemata kokku puutunud, uhtke kohta veega. Kui vedelik on sattunud silma, minge arsti juurde.** Akust väljavalgunud vedelik võib põhjustada ärritust ja põletusi.
5. **Ärge kasutage akupaketti ega tööriista, mis on kahjustatud või muudetud.** Kahjustatud või muudetud akut võivad käituda etteaimamatult, põhjustades süttimis-, plahvatus- või vigastusohtu.
6. **Kaitske akupaketti ja tööriista tule ja kõrge temperatuuri eest.** Tule või kõrgema kui 130 °C temperatuuriga kokkupuutumine võib tuua kaasa plahvatuse.
7. **Pidage kinni kõigist laadimisjuhustest ja ärge laadige akupaketti ega tööriista väljaspool juhendis märgitud temperatuurivahemikku.** Valesi või väljaspool märgitud temperatuurivahemikku laadimine võib kahjustada akupaketti ja suurendada süttimisohu.

#### Elektriõhusus ja aku ohutu talitus

1. **Ärge visake kasutatud akut (akusid) tulle.** Element võib plahvata. Kasutatud akude käitlemise võimalikud erinõuded leiate kohalikest eeskirjadest.
2. **Akut (akusid) ei tohi avada ega kahjustada.** Väljavalgunud elektrolüüt on söõvitava toimega ning võib kahjustada silmi ja nahka. See võib osutada allaneelamisel mürgiseks.
3. **Ärge laadige akut vihma käes ega märjas keskkonnas.**
4. **Ärge laadige akut välistingimustes.**
5. **Ärge käsitsege laadurit, sh laaduri pistikut ja laadimisterminale märgade kätega.**

#### Hooldus

1. **Laske elektritööriista hooldada eksperdil, kes kasutab vaid originaalvaruosi.** Siis püsib elektritööriista ohutus.
2. **Ärge hooldage kahjustatud akupakette.** Akupakette võivad hooldada ainult tootja või ametlikud teenusepakkujad.

## HOIDKE JUHEND ALLES.

**⚠️ HOIATUS:** ÄRGE UNUSTAGE järgida toote ohutusnõudeid mugavuse või toote (korduskasutamise) saavutamise hea tundmise tõttu.

**VALE KASUTUS** või kasutusjuhendi ohutuseeskirjade eiramine võib põhjustada tervisekahjustusi.

### Akukassetiga seotud olulised ohutusjuhised

1. **Enne akukassetti kasutamist lugege (1) akulaadijat, (2) akut ja (3) seadmel olevad juhtnöörid ja hoiatused läbi.**
2. **Ärge võtke akukassetti lahti ega muutke seda.** See võib põhjustada tulekahju, liigset kuumust või plahvatuse.
3. **Kui tööaeg järsult lüheneb, siis lõpetage kohe kasutamine.** Edasise kasutamise tulemuseks võib olla ülekuumenemisoht, võimalikud põletused või isegi plahvatus.



4. Kui elektrolüüti satub silma, siis loputage silma puhta veega ja pöörduge koheselt arsti poole. Selline õnnetus võib põhjustada pimedaksjäämist.
5. Äрге tekitage akukassetis lühist:
  - (1) Äрге puutuge klemme elektrijuhtidega.
  - (2) Äрге hoidke akukasseti tööriistakastis koos metallesemetega, nagu naelad, mündid jne.
  - (3) Äрге tehke akukasseti märjaks ega jätke seda vihma kätte.

Aku lühis võib põhjustada tugevat elektri-voolu, ülekuumenemist, põletusi ning ka seadet tõsiselt kahjustada.
6. Äрге hoidke ega kasutage tööriista ja akukasseti kohtades, kus temperatuur võib tõusta üle 50 °C (122 °F).
7. Äрге põletage akukasseti isegi siis, kui see on saanud tõsiselt vigastada või on täiesti kulunud. Akukassetit võib tules plahvatada.
8. Äрге naelutage, löögake, muljuge, visake akukasseti ega laske sel kukkuda, samuti ärge lööge selle pihta kõva esemega. Selline tegevus võib põhjustada tulekahju, liigset kuumust või plahvatusi.
9. Äрге kasutage kahjustatud akut.
10. Sisalduvatele liitium-ioonakudele võivad kohaldisada ohtlike kaupade õigusaktide nõuded. Kaubanduslikul transportimisel, näiteks kolmandate poolte või transpordiettevõtete poolt, tuleb järgida pakendil ja siltidel toodud erinõudeid. Transportimiseks ettevalmistamisel on vajalik pidaa nõu ohtliku materjali ekspordiga. Samuti tuleb järgida võimalike riiklike regulatsioonide üksikasjalikumaid nõudeid. Katke teibiga või varjake avatud kontaktid ja pakendage aku selliselt, et see ei saaks pakendis liikuda.
11. Kasutus kõlbatuks muutunud akukasseti kõrvaldamiseks eemaldage see tööriistast ja viige selleks ette nähtud kohta. Järgige kasutus kõlbatuks muutunud aku kõrvaldamisel kohalikke eeskirju.
12. Kasutage akukasseid ainult Makita heaks kiidetud toodetega. Akude paigaldamine selleks mitte ettenähtud toodetele võib põhjustada süttimist, ülemäärast kuumust, plahvatamist või elektrolüüdi lekkimist.
13. Kui tööriista ei kasutata pika ajaperioodi jooksul, tuleb aku tööriistast eemaldada.
14. Kasutamise ajal ja pärast kasutamist võib akukassetit kuumeneda, mis võib põhjustada põletusi või madala temperatuuri põletusi. Olge kuumas akukasseti kandmisel ettevaatlik.
15. Äрге puudutage tööriista klemmi kohe pärast kasutamist, sest see võib olla kuum ja põhjustada põletusi.
16. Hoidke akukasseti klemmid, avad ja sooned tükikestest, tolmust ja mullast puhtad. Muidu võib tööriist või akukassetit halvasti töötada või puruneda.
17. Kui tööriist ei kannata kasutamist kõrgepingeliinide lähedal, ärge kasutage akukassetit kõrgepingeliinide lähedal. Muidu võib tööriist või akukassetit puruneda või sellel tõrge tekkida.

## 18. Hoidke akut lastele kättesaamatul. HOIDKE JUHEND ALLES.

**⚠ETTEVAATUST:** Kasutage ainult Makita originaalakusid. Mitte Makita originaalakude või muudetud akude kasutamine võib põhjustada akude süttimise, kehavigastuse ja kahjustuse. Samuti muudab see kehtetuks Makita tööriista ja laadija Makita garantii.

## Vihjeid aku maksimaalse kasutusaja tagamise kohta

1. Laadige akukasseti enne selle täielikku tühjenemist. Kui märkate, et tööriist töötab väiksema võimsusega, peatage töö ja laadige akukasseti.
2. Äрге laadige täielikult laetud akukasseti. Ülelaadimine lühendab akude kasutusiga.
3. Laadige akukasseti toatemperatuuril 10 °C - 40 °C. Enne laadimist laske kuumenenud akukassetil maha jahtuda.
4. Kui te ei kasuta parajasti akukasseti, eemaldage see tööriistast või laadurist.
5. Kui te ei kasuta akukasseti kauem kui kuus kuud, laadige see.

## KOKKUPANEK

**⚠HOIATUS:** Veenduge enne niidukil igasuguste tööde tegemist, et lukustusvõti ja akukasseti oleks eemaldatud. Lukustusvõtme ja akukasseti eemaldamata jätmine võib põhjustada tõsiseid tervisekahjustusi, kui niiduk juhuseks käivitub.

**⚠HOIATUS:** Äрге käivitage kunagi niidukit, kui see pole täielikult monteeritud. Osaliselt kokkupandud masina juhuseks käivitamine võib põhjustada tõsiseid kehavigastusi.

## Akukatte paigaldamine

**⚠HOIATUS:** Äрге paigaldage lukustusvõtit ega akukasseti enne akukatte paigaldamist. Muidu võib tagajärjeks olla tõsine vigastus.

Enne töötamise algust paigaldage täielikult akukate. Akukate kaitseb niidukit ja akukasseti pori, prahi ja vee eest.

1. Asetage akukate selliselt, et niiduki eendid oleksid kohakuti akukattes asuvate avadega.  
▶ **Joon.1:** 1. Eend 2. Ava 3. Akukate
2. Asetage käed akukatte keskele ja suruge seda.  
▶ **Joon.2**
3. Enne töö alustamist kontrollige, et akukatte pöördetelje tihvt oleks nõuetekohaselt kinnitatud. Kui akukate on õigesti paigaldatud, avaneb see ainult akukatte lukustushoova tõmbamisel.  
▶ **Joon.3:** 1. Pöördetelje 2. Akukatte lukustushoov

## Käepideme paigaldamine

**TÄHELEPANU:** Käepidemete paigaldamisel paigutage juhtmed nii, et need ei jääks käepidemete vahel millegi külge kinni. Kui juhe on kahjustatud, ei pruugi niiduki lüliti toimida.

1. Lükake alumise käepideme mõlemad otsad niiduki soontesse ja kinnitage seejärel kinnitusklambrid lõpuni.  
▶ **Joon.4:** 1. Kinnituskruvi 2. Alumine käepide
2. Viige alumise ja ülemise käepideme kruviavad omavahel kohakuti. Kinnitage need kinnituskruvide ja mutritega.  
▶ **Joon.5:** 1. Kinnitusmutter 2. Kinnituskruvi

**MÄRKUS:** Hoidke ülemist käepidet kindlalt, nii et see ei kukuks teil käest maha.

3. Kinnitage hoidikud käepidemele. Paigutage toitejuhe joonisel näidatud viisil.  
▶ **Joon.6:** 1. Hoidik

## Multšimiskorgi eemaldamine

### Lisatarvik

1. Avage tagakaas.  
▶ **Joon.7:** 1. Tagakaas
2. Hoidke multšimiskorki käepidemest ja tõmmake see joonisel näidatud viisil niiduki kerest välja.  
▶ **Joon.8:** 1. Multšimiskork 2. Käepide

## Murukoguri paigaldamine

1. Avage tagakaas.  
▶ **Joon.9:** 1. Tagakaas
2. Haakige murukoguja niiduki kerel olevale vardale, nagu on näidatud joonisel.  
▶ **Joon.10:** 1. Konks 2. Varras 3. Murukogur

## Multšimiskorgi kinnitamine

### Lisatarvik

1. Avage tagakaas ja eemaldage murukogur.  
▶ **Joon.11:** 1. Tagakaas 2. Murukogur
2. Hoidke multšimiskorki käepidemest ja kinnitage see joonisel näidatud viisil niiduki kerelle.  
▶ **Joon.12:** 1. Multšimiskork 2. Käepide

## FUNKTSIONAALNE KIRJELDUS

### Akukasseti paigaldamine või eemaldamine

▲ **ETTEVAATUST:** Lülitage masin alati enne akukasseti paigaldamist või eemaldamist välja.

▲ **ETTEVAATUST:** Enne kasutamist lukustage kindlasti akukate. Muidu võivad pori, muld või vesi põhjustada toote või akukasseti kahjustuse.

▲ **ETTEVAATUST:** Paigaldage akukassett alati täies ulatuses nii, et punane näidik poleks nähtaval. Muidu võib see juhuslikult masinast välja kukkuda ja põhjustada teile või läheduses viibivatele isikutele vigastusi.

▲ **ETTEVAATUST:** Ärge rakendage akukasseti paigaldamisel jõudu. Kui kasseti ei lähe kergesti sisse, pole see õigesti paigaldatud.

**MÄRKUS:** See masin ei tööta ainult ühe akukassetiga.

### Akukasseti paigaldamine

1. Libistage akukatte lukustushooba ja avage akukate.  
▶ **Joon.13:** 1. Akukate 2. Akukatte lukustushoob
2. Viige akukasseti keel kohakuti niidukil asuva pesaga ja lükake kassetti, kuni see klõpsatusega oma kohale kinnitub.  
▶ **Joon.14:** 1. Akukassett
3. Sisestage lukustusvõti joonisel näidatud kohta nii sügavale kui võimalik.  
▶ **Joon.15:** 1. Lukustusvõti
4. Sulgege akukate ja vajutage sellele, kuni lukustushoob selle fikseerib.

### Niiduki akukasseti eemaldamine

1. Libistage akukatte lukustushooba ja avage akukate.
2. Tõmmake akukassetti niidukist, lükates samal ajal kasseti esiküljel paiknevat nuppu.
3. Tõmmake lukustusvõti välja.
4. Sulgege akukate.

## Masina/aku kaitsesüsteem

Masinal on masina/aku kaitsesüsteem. Süsteem lülitab mootori automaatselt välja, et pikendada tööriista ja aku tööiga. Masin seiskub käitamise ajal automaatselt, kui masina või aku kohta kehtib üks järgmistest tingimustest.

## Ülekoormuskaitse

Kui masina kasutamise käigus hakkab see tarbima ebaharilikult palju voolu, peatub masin automaatselt ilma igasuguse signaalita. Sel juhul lülitage masin välja ja lõpetage masina ülekoormuse põhjustanud töö. Pärast seda käivitage masin uuesti.

## Ülekuumenemiskaitse

Masina ülekuumenemisel seiskub masin automaatselt. Laske masinal maha jahtuda, enne kui selle uuesti sisse lülitate.

## Ülelaadimiskaitse

Kui aku laetuse tase on madal, siis seiskub masin automaatselt. Kui seade ei hakka tööle ka lülite kasutamisel, eemaldage masinast akud ja laadige neid.

### Aku jäämahutavuse näit

► **Joon.16:** 1. Aku indikaator

Kui järelejäädud aku laeng on väike, siis akuindikaator vilgub selle aku küljel. Edasisel kasutamisel masin seiskub ning akuindikaator hakkab põlema ja põleb umbes 10 sekundit. Sellisel juhul laadige akukasseti.

### Aku jäämahutavuse näit

#### Ainult näidikuga akukassetidele

► **Joon.17:** 1. Märkulambid 2. Kontrollimise nupp

Akukasseti järelejäädud mahutavuse kontrollimiseks vajutage kontrollimise nuppu. Märkulambid süttivad mõneks sekundiks.

Märkulambid			Jäämahutavus
Põleb	Ei põle	Vilgub	
			75 - 100%
			50 - 75%
			25 - 50%
			0 - 25%
			Laadige akut.
			Akul võib olla tõrge.

**MÄRKUS:** Näidatud mahutavus võib veidi erineda tegelikust mahutavusest olenevalt kasutustingimustest ja ümbritseva keskkonna temperatuurist.

### Lüliti funktsioneerimine

**HOIATUS:** Kontrollige alati enne akukasseti sisestamist seda, kas hooblülitit töötab nõuetekohaselt ja kas see liigub pärast vabastamist algasendisse tagasi. Masina juhtimine lüliti abil, mis ei toimi korralikult, võib kaasa tuua kontrolli kaotamise sae üle ja põhjustada tõsiselt vigastusi.

**MÄRKUS:** Niiduk ei käivitu, kui te toitelüliti ei vajuta (seda ka juhul, kui hooblülitit tõmbate).

**MÄRKUS:** Niiduk ei pruugi ülekoormuse tõttu käivituda, kui üritate niita liiga kõrget või tihedat heina. Sellisel juhul suurendage niitmiskõrgust.

See niiduk on varustatud blokeerilülitiga ja käepidemel oleva lülitiga. Kui märkate midagi ebatavalist, mis on seotud ühega neist lülititest, seisake niiduk viivitamatult ja laske neid lüliteid lähimas Makita volitatud teeninduskeskuses kontrollida.

1. Paigaldage akukassetid. Sisestage lukustusvõti blokeerilülitisse ja seejärel sulgege akukate.

► **Joon.18:** 1. Akukasset 2. Lukustusvõti

2. Vajutage lülitusnuppu ja hoidke seda all.

3. Haarake ülemisest käepidemest ja tõmmake hooblülitit.

► **Joon.19:** 1. Lülitusnupp 2. Hooblülit

4. Vabastage toitelüliti niipea, kui mootor käivitub. Niiduki mootor töötab, kuni hooblülitit vabastate.

5. Vabastage hooblülit, et mootor seisata.

### Niitmiskõrguse reguleerimine

**HOIATUS:** Ärge pange niitmiskõrguse reguleerimisel käsi või jalgu kunagi niiduki alla.

**HOIATUS:** Veenduge alati enne seadme kasutamist, et hoob sobitaks soonde.

Niitmiskõrgust saab reguleerida vahemikus 20 mm ja 75 mm.

1. Eemaldage lukustusvõti.

2. Tõmmake niitmiskõrguse reguleerimishooba niiduki korpusest eemale ja liigutage sobivale niitmiskõrgusele.

► **Joon.20:** 1. Niitmiskõrguse reguleerimishoob

**MÄRKUS:** Niitmiskõrguse näitajaid tuleks kasutada orientiirina. Maapinna ja muru seisundist olenevalt võib tegelik murukõrgus olla valitud kõrgusest erinev.

**MÄRKUS:** Katsetage muru niitmiskõrguse seadistust vähem nähtavas kohas, et leida sobiv kõrgus.

### Rohutaseme indikaator

► **Joon.21:** 1. Rohutaseme indikaator

Rohutaseme indikaator näitab niidetud rohu mahtu.

- Kui murukogur ei ole täis, siis indikaator „ujub“ niitmise ajal.
- Kui murukogur on täis, siis indikaator ei „uju“ niitmise ajal. Sellisel juhul peatage kohe niitmine ja tühjendage kogur. Pärast koguri tühjendamist puhastage seda niimoodi, et õhk pääseks läbi võrgusilmade.

**MÄRKUS:** Selle indikaatori puhul on tegemist ligikaudse näidikuga. Kruvikeeraja on varustatud kruvide sisestamise sügavuse regulaatoriga.

### Multšimiskorgi kasutamine

#### Lisatarvik

Multšimiskork võimaldab teil niidetud muru tagasi maha lasta, ilma et see murukogurisse kogutaks. Kui kasutate masinat multšimiskorgiga, siis eemaldage kindlasti murukogur.

**TÄHELEPANU:** Masina multšimiskorgiga kasutamisel veenduge, et muru kogupikkus pärast niitmist oleks 30 mm või rohkem, ja lõikepikkus oleks 15 mm või vähem.

► **Joon.22:** (1) 30 mm või rohkem (2) 15 mm või vähem

# TÖÖRIISTA KASUTAMINE

## Niitmine

**▲HOIATUS:** Puhastage niidetav ala enne niitmist okstest ja kividest. Lisaks puhastage niidetav ala enne niitmist ka umbrohust.

**▲HOIATUS:** Kandke niiduki kasutamisel alati kaitseprille (või nt külgmiste kaitsetega kaitseprille).

**▲ETTEVAATUST:** Kui muru või kõrvaline ese on niiduki korpuse seestpoolt ummistanud, võtke enne muru või kõrvalise eseme eemaldamist välja lukustusvõti ja akukassett ning pange kindad kätte.

**TÄHELEPANU:** Kasutage seda seadet ainult muru niitmiseks. Ärge kasutage seda seadet umbrohu niitmiseks.

► Joon.23

Hoidke niitmisel kindlalt kahe käega käepidemest kinni. Soovitatav niitmiskiirus on umbes 1 meetrit 4 sekundis.

► Joon.24

Niitmislaiuse orientiiriks on esirataste välisääred. Välisäärite kasutamisel niitmislaiuse orientiiriks niitke ribadena. Niitke kuni ühe kolmandiku ulatuses eelmise riba peal (kattuv ala) – nii niidate muru ühtlaselt.

► Joon.25: 1. Niitmislaius 2. Kattuv ala 3. Välisäär

Muutke iga kord niitmise suunda, et ei tekiks ühesuunalist muru mustrit.

► Joon.26

Kontrollige regulaarselt murukoguris oleva niidetud muru kogust. Tühjendage murukogur enne selle täitumist. Enne iga sellist kontrolli seisake niiduk ning eemaldage seejärel lukustusvõti ja akukassett niidukist.

**TÄHELEPANU:** Täis murukogur takistab niiduki lõiketeradel sujuvalt pöörelda ja lisab mootorile lisakoormuse, mis võib põhjustada mootoririkkeid.

## Kõrge muru niitmise

Ärge niitke kõrget muru korraga. Selle asemel niitke muru mitmes etapis. Jätke niitmise vahele üks kuni kaks päeva, et muru muutuks ühtlaseks.

**MÄRKUS:** Kõrge rohu korraga lühikeseks niitmise võib põhjustada muru kuivamise. Samuti võib niidetud muru ummistada seest niiduki korpuse.

## Murukoguri tühjendamine

**▲HOIATUS:** Õnnetuste ärahoidmiseks kontrollige murukogurit regulaarselt kahjustuste või tugevuse vähenemise suhtes. Vajaduse korral vahetage murukogur.

1. Vabastage hooblüüti.
2. Eemaldage lukustusvõti.
3. Avage tagakaas ja võtke käepidemest hoides murukoguja korv välja.  
► Joon.27: 1. Tagakaas 2. Käepide
4. Tühjendage murukogur.

# HOOLDUS

**▲HOIATUS:** Veenduge alati enne niiduki hoiusutamist, kandmist, kontrollimist või hooldamist, et lukustusvõti ja akukassett oleksid niidukist eemaldatud.

**▲HOIATUS:** Kui niidukit ei kasutata, eemaldage alati lukustusvõti. Hoiustage lukustusvõtit turvalises ja lastele kättesaamatus kohas.

**▲HOIATUS:** Kandke kontrollimise või hooldamise ajal kaitsekindaid.

**▲HOIATUS:** Kandke niiduki kontrollimisel või hooldamisel alati kaitseprille või külgmiste kaitsetega kaitseprille.

**TÄHELEPANU:** Ärge kunagi kasutage bensiini, vedeldit, alkoholi ega midagi muud sarnast. Selle tulemuseks võib olla luitumine, deformatsioon või pragunemine.

Toote OHUTUSE ja TÖÖKINDLUSE tagamiseks tuleb vajalikud remonttööd ning muud hooldus- ja reguleerimistööd lasta teha Makita volitatud teeninduskeskustes või tehase teeninduskeskustes. Alati tuleb kasutada Makita varuosi.

## Hooldus

1. Eemaldage lukustusvõti. Hoiustage seda turvalises ja lastele kättesaamatus kohas.
2. Puhastage niidukit niiske lapiga. Ärge puhastage või valage niiduki peale vett.
3. Asetage niiduk küljele ja puhastage see kere alla kogunenud murujääkidest.
4. Kontrollige kõikide mutrite, poltide, nuppude, kruvide, kinnitite jne pingust.
5. Kontrollige liikuvaid osi kahjustuste, purunemise ja kulumise suhtes. Kahjustatud või puuduvad osad tuleb remontida või välja vahetada.

## Hoiustamine

**▲HOIATUS:** Niidukit kandes või hoiustades ärge hoidke kokkupandud käepidemest, vaid niiduki eesmisest käepidemest. Kokkupandud käepidemest hoidmine võib põhjustada tõsiseid vigastusi või niidukit kahjustada.

Eemaldage enne niiduki hoiale panekut sellest akukassett ja lukustusvõti. Hoidke niidukit siseruumis jahedas, kuivas ja lukustatud kohas. Ärge hoidke niidukit ega laadurit kohtades, kus temperatuur võib tõusta üle 40 °C.

► Joon.28: 1. Eesmine käepide 2. Tagumine käepide

1. Vabastage kinnituskruidid ja tõmmake alumist käepidet mõlemale küljele. Viige käepide ette alla. Hoidke samal ajal alumisest käepidemest tugevasti kinni, et see niiduki kerest eemale ei kukuks.

► **Joon.29:** 1. Kinnituskruidid 2. Alumine käepide

2. Vabastage kinnitusmutrid ja pöörake ülemine käepide tagasi, tõmmates mõlemat külge laiali.

► **Joon.30:** 1. Kinnitusmutter 2. Ülemine käepide

3. Hoidke murukogurit käepideme ja niiduki kere vahel.

► **Joon.31:** 1. Murukogur

**MÄRKUS:** Kui asetate niidukit püstisesse asendisse, ärge hoidke käepidemest, vaid kasutage niiduki esiosas olevat käepidet.

## Niiduki tera eemaldamine või paigaldamine

▲**HOIATUS:** Eemaldage lukustusvõti ja akukasett alati enne lõiketera eemaldamist või paigaldamist. Lukustusvõtme või akukasetti eemaldamata jätmine võib tuua kaasa tõsiseid vigastusi.

▲**HOIATUS:** Pärast lüliti vabastamist pöörleb lõiketera mõned sekundid tühikäigul. Ärge alustage toiminguid enne, kui tera on täielikult seiskunud.

▲**HOIATUS:** Kandke lõiketera käsitsemisel alati kaitsekindaid.

## Niiduki tera eemaldamine

### DLM382

1. Asetage niiduk küljele, nii et niitmiskõrguse reguleerimishoob jääb üles.

2. Tera pöörlemise lukustamiseks sisestage kruvikeeraja vms sarnane tööriist niiduki kerel olevasse avasse.

3. Keerake polti mutrivõtmega vastupäeva.

► **Joon.32:** 1. Niiduki tera 2. Kruvikeeraja 3. Mutrivõti

4. Eemaldage järjekorras polt ja tera.

► **Joon.33:** 1. Tera tugi 2. Niiduki tera 3. Polt

### DLM432

1. Asetage niiduk küljele, nii et niitmiskõrguse reguleerimishoob jääb üles.

2. Tera pöörlemise lukustamiseks sisestage kruvikeeraja vms sarnane tööriist niiduki kerel olevasse avasse.

3. Keerake polti mutrivõtmega vastupäeva.

► **Joon.34:** 1. Niiduki tera 2. Kruvikeeraja 3. Mutrivõti

4. Eemaldage järjekorras polt, väline äärük, niiduki tera ja sisemine äärük.

► **Joon.35:** 1. Siseäärük 2. Niiduki tera 3. Välisäärük 4. Polt

## Niiduki tera paigaldamine

Niiduki tera paigaldamiseks järgige eemaldamise protseduuri vastupidises järjekorras.

▲**HOIATUS:** Paigaldage niiduki tera hoolikalt. Sellel on ülemine/alumine külg. Asetage tera niimoodi, et selle pöörlemis-suuna nooled oleks suunatud väljapoole.

▲**HOIATUS:** Seejärel pinguldage polti päripäeva, et lõiketera fikseerida.

▲**HOIATUS:** Veenduge, et niiduki tera ja kõik selle kinnitusosad oleksid korralikult paigaldatud ja kindlalt pingutatud.

▲**HOIATUS:** Terasid vahetades järgige alati juhendis toodud juhtnööre.

# VEAOTSING

Enne remonditöökotta pöördumist kontrollige niidukit ise. Ärge üritage niidukit lahti võtta, kui leiate probleemi, mida kasutusjuhendis ei kirjeldata. Selle asemel pöörduge Makita volitatud teeninduskeskusesse, kus kasutatakse remonimisel alati Makita tagavaraosi.

Tõrge	Võimalik põhjus (riike)	Lahendus
Niiduk ei käivitu.	Kaks akukassetti ei ole paigaldatud.	Paigaldage laetud akukassetid.
	Akuga seotud probleem (alapinge)	Laadige akukassett. Kui laadimine ei anna tulemust, vahetage akukassett välja.
	Lukustusvõti ei ole sisestatud.	Sisestage lukustusvõti.
Mootor seiskub pärast lühiajalist töötamist.	Aku laetustase on madal.	Laadige akukassett. Kui laadimine ei anna tulemust, vahetage akukassett välja.
	Niitmiskõrgus on liiga madal.	Suurendage niitmiskõrgust.
Mootor ei saavuta maksimaalset pöörlemiskiirust.	Akukassett ei ole õigesti paigaldatud.	Paigaldage akukassett juhendis kirjeldatud viisil.
	Aku võimsus langeb.	Laadige akukassett. Kui laadimine ei anna tulemust, vahetage akukassett välja.
	Veosüsteem ei tööta korralikult.	Paluge volitatud teeninduskeskuses teha parandustööd.
Niiduki tera ei pöörle: ⇒ seisake kohe niiduk!	Kõrvaline ese, näiteks puuoks on tera blokeeritud.	Eemaldage kõrvaline ese.
	Veosüsteem ei tööta korralikult.	Paluge volitatud teeninduskeskuses teha parandustööd.
Ebatavaline vibratsioon: ⇒ seisake kohe niiduk!	Tera ei ole tasakaalus või on ülemäärä või ebaühtlaselt kulunud.	Vahetage tera.

## VALIKULISED TARIKUD

**⚠ETTEVAATUST:** Neid tarvikuid ja lisaseadiseid on soovitatav kasutada koos Makita tööriistaga, mille kasutamist selles kasutusjuhendis kirjeldatakse. Muude tarvikute ja lisaseadiste kasutamisega kaasneb vigastada saamise oht. Kasutage tarvikuid ja lisaseadiseid ainult otstarbekohaselt.

Saate vajaduse korral kohalikust Makita teeninduskeskusest lisateavet nende tarvikute kohta.

- Niiduki tera
- Multšimiskork
- Makita algupärane aku ja laadija

**MÄRKUS:** Mõned nimekirjas loetletud tarvikud võivad kuuluda standardvarustusse ning need on lisatud tööriista pakendisse. Need võivad riigiti erineda.

## ТЕХНИЧЕСКИЕ ХАРАКТЕРИСТИКИ

Модель:		DLM382	DLM432
Ширина скашивания (диаметр лезвия)		380 мм	430 мм
Число оборотов без нагрузки		3 700 мин <sup>-1</sup>	3 600 мин <sup>-1</sup>
Сменное лезвие газонокосилки, номер детали		191D41-2	191D43-8
Размеры (Д × Ш × В)	во время работы	Д: от 1 380 мм до 1 410 мм Ш: 450 мм В: от 985 мм до 1 005 мм	Д: от 1 435 мм до 1 490 мм. Ш: 460 мм В: от 1 005 мм до 1 045 мм.
	в положении для хранения (без корзины для травы)	860 мм × 450 мм × 475 мм	865 мм × 460 мм × 475 мм
Номинальное напряжение		36 В пост. тока	
Масса нетто		15,0 – 16,5 кг	15,4 – 17,1 кг

- Благодаря нашей постоянно действующей программе исследований и разработок указанные здесь технические характеристики могут быть изменены без предварительного уведомления.
- Технические характеристики могут различаться в зависимости от страны.
- Масса может отличаться в зависимости от дополнительного оборудования. Обратите внимание, что блок аккумулятора также считается дополнительным оборудованием. В таблице представлены комбинации с наибольшим и наименьшим весом в соответствии с процедурой ЕРТА 01/2014.

## Подходящий блок аккумулятора и зарядное устройство

Блок аккумулятора	BL1815N / BL1820 / BL1820B / BL1830 / BL1830B / BL1840 / BL1840B / BL1850 / BL1850B / BL1860B
Зарядное устройство	DC18RC / DC18RD / DC18RE / DC18SD / DC18SE / DC18SF / DC18SH






- В зависимости от региона проживания некоторые блоки аккумуляторов и зарядные устройства, перечисленные выше, могут быть недоступны.

**⚠ОСТОРОЖНО:** Используйте только перечисленные выше блоки аккумуляторов и зарядные устройства. Использование других блоков аккумуляторов и зарядных устройств может привести к травме и/или пожару.

**⚠ОСТОРОЖНО:** Не используйте с этой машиной проводной источник электропитания, например переходник зарядного устройства или портативный блок питания. Кабель этого источника электропитания может помешать работе и стать причиной травмы.

## Символы

Ниже приведены символы, которые могут использоваться для обозначения оборудования. Перед использованием убедитесь в том, что вы понимаете их значение.

	Обратите особое внимание.
	Прочитайте руководство по эксплуатации.
	Опасность! Возможен разлет твердых предметов.
	Расстояние от инструмента до находящегося поблизости людей должно быть не менее 15 м.
	Не приближайте руки и ноги к ножам под днищем газонокосилки. После выключения электромотора лезвия продолжают вращаться.



Перед осмотром, регулировкой, очисткой, обслуживанием, оставлением и хранением газонокосилки извлекайте ключ блокировки.



Только для стран ЕС  
Не выбрасывайте электрооборудование или аккумуляторы вместе с бытовым мусором!

В соответствии с европейскими директивами об утилизации электрического и электронного оборудования, о батареях и аккумуляторах, а также использованных батареях и аккумуляторах и их применении в соответствии с местными законами электрооборудование, батареи и аккумуляторы, срок эксплуатации которых истек, должны утилизироваться отдельно и передаваться для утилизации на предприятие, соответствующее применяемым правилам охраны окружающей среды.

## Назначение

Газонокосилка предназначена для стрижки газонов.

## Шум

Типичный уровень взвешенного звукового давления (A), измеренный в соответствии с EN60335-2-77:

### Модель DLM382

Уровень звукового давления ( $L_{pA}$ ): 81 дБ (A)

Уровень звуковой мощности ( $L_{WA}$ ): 91 дБ (A)

Погрешность (K): 3 дБ (A)

### Модель DLM432

Уровень звукового давления ( $L_{pA}$ ): 81 дБ (A)

Уровень звуковой мощности ( $L_{WA}$ ): 92 дБ (A)

Погрешность (K): 3 дБ (A)

**ПРИМЕЧАНИЕ:** Заявленное значение распространения шума измерено в соответствии со стандартной методикой испытаний и может быть использовано для сравнения инструментов.

**ПРИМЕЧАНИЕ:** Заявленное значение распространения шума можно также использовать для предварительных оценок воздействия.

**⚠ОСТОРОЖНО:** Используйте средства защиты слуха.

**⚠ОСТОРОЖНО:** Распространение шума во время фактического использования электроинструмента может отличаться от заявленного значения в зависимости от способа применения инструмента и в особенности от типа обрабатываемой детали.

**⚠ОСТОРОЖНО:** Обязательно определите меры безопасности для защиты оператора, основанные на оценке воздействия в реальных условиях использования (с учетом всех этапов рабочего цикла, таких как выключение инструмента, работа без нагрузки и включение).

## Вибрация

Суммарное значение вибрации (сумма векторов по трем осям), определенное в соответствии с EN60335-2-77:

### Модель DLM382

Распространение вибрации ( $a_n$ ): 2,5 м/с<sup>2</sup> или менее

Погрешность (K): 2,0 м/с<sup>2</sup>

### Модель DLM432

Распространение вибрации ( $a_n$ ): 2,5 м/с<sup>2</sup> или менее

Погрешность (K): 1,5 м/с<sup>2</sup>

**ПРИМЕЧАНИЕ:** Заявленное общее значение распространения вибрации измерено в соответствии со стандартной методикой испытаний и может быть использовано для сравнения инструментов.

**ПРИМЕЧАНИЕ:** Заявленное общее значение распространения вибрации можно также использовать для предварительных оценок воздействия.

**⚠ОСТОРОЖНО:** Распространение вибрации во время фактического использования электроинструмента может отличаться от заявленного значения в зависимости от способа применения инструмента и в особенности от типа обрабатываемой детали.

**⚠ОСТОРОЖНО:** Обязательно определите меры безопасности для защиты оператора, основанные на оценке воздействия в реальных условиях использования (с учетом всех этапов рабочего цикла, таких как выключение инструмента, работа без нагрузки и включение).

## Декларация о соответствии ЕС

*Только для европейских стран*

Декларация о соответствии ЕС включена в руководство по эксплуатации (Приложение А).

## МЕРЫ БЕЗОПАСНОСТИ

### ВАЖНЫЕ ИНСТРУКЦИИ ПО ТЕХНИКЕ БЕЗОПАСНОСТИ

**⚠ОСТОРОЖНО:** Ознакомьтесь со всеми инструкциями и рекомендациями по технике безопасности. Невыполнение инструкций и рекомендаций может привести к поражению электротоком, пожару и/или тяжелым травмам.

## Сохраните брошюру с инструкциями и рекомендациями для дальнейшего использования.

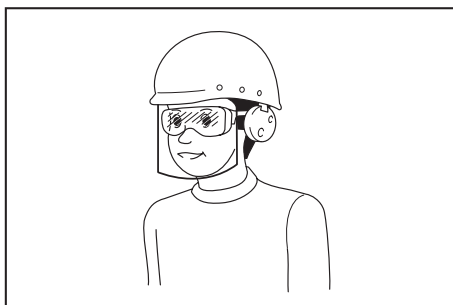
Инструктаж

1. Внимательно прочитайте инструкции. Ознакомьтесь со всеми элементами управления и правилами надлежащей эксплуатации газонокосилки.
2. Не разрешайте детям и лицам, не знакомым с данными инструкциями, пользоваться косилкой. В местном законодательстве могут существовать возрастные ограничения для операторов.
3. Запрещается эксплуатировать газонокосилку, если поблизости находятся люди (в особенности дети) или животные.
4. Помните, что оператор/пользователь несет ответственность за происшествия и опасные ситуации с другими людьми или их собственностью.
5. Следует следить за маленькими детьми, чтобы они не использовали газонокосилку в качестве игрушки.
6. Физическое состояние – не эксплуатируйте газонокосилку, находясь под действием наркотиков, алкоголя или лекарств.



## Подготовка

1. На время эксплуатации косилки обязательно надевайте прочную обувь с длинными ботинками. Не пользуйтесь оборудованием босиком или в открытых сандалиях. Не следует носить галстук, свободную одежду или украшения, а также одежду, украшенную свисающими шнурами. Их может затянуть движущимися деталями.
2. Перед началом работы визуально осматривайте газонокосилку на предмет поврежденных, отсутствующих или неправильно установленных ограждений или экранов.
3. Перед началом работы убедитесь, что поблизости никого нет. Если кто-либо приблизился, выключите газонокосилку.
4. Не вставляйте ключ блокировки в газонокосилку, пока она не будет готова к эксплуатации.
5. Во время работы с электроинструментом всегда надевайте защитные очки. Очки должны соответствовать ANSI Z87.1 для США, EN 166 для Европы, или AS/NZS 1336 для Австралии и Новой Зеландии. В Австралии и Новой Зеландии оператор также обязан носить защитную маску.



Ответственность за использование средств защиты операторами и другим персоналом вблизи рабочей зоны возлагается на работодателя.

6. Перед эксплуатацией тщательно осмотрите лезвия и болты лезвий и убедитесь в отсутствии трещин или повреждений. Немедленно замените треснувшие или поврежденные лезвия или болты лезвий.
7. Перед началом работы очистите площадку от посторонних предметов (камней, проволоки, бутылок, костей и больших палок), чтобы не допустить травм или повреждения газонокосилки.
8. Предметы, отброшенные лезвием газонокосилки, могут нанести тяжелые травмы. Перед началом работы необходимо тщательно осмотреть газон и очистить его от всех предметов.
9. Осматривайте газон на предмет углублений, колея, ухабов, камней или других скрытых предметов. Неровности поверхности могут стать причиной подкальзывания и падения. Высокая трава может скрывать препятствия.

## Эксплуатация

1. Во время работы с устройством не тянитесь. Всегда сохраняйте равновесие. При работе на склонах занимайте устойчивое положение. Передвигайтесь шагом, не бегите.
2. Остановите газонокосилку, извлеките ключ блокировки и убедитесь в том, что все движущиеся части полностью остановились, если:
  - оставляете машину;
  - планируете устранять засоры и удалять предметы, закупорившие желоб;
  - собираетесь проверять, очищать оборудование или выполнять его обслуживание;
  - оборудование ударило о посторонний предмет. Перед повторным запуском осмотрите машину на предмет повреждений и устраните неисправности:
  - при появлении ненормальной вибрации в газонокосилке.
3. Запрещается использовать машину с неисправными ограждениями и экранами или без защитных приспособлений, например дефлекторов или бункера для сбора травы.
4. Не рекомендуется использовать газонокосилку в неблагоприятных погодных условиях, особенно если существует риск удара молнии.
5. При эксплуатации газонокосилки обязательно носите средства защиты глаз и прочную обувь.
6. Используйте устройство только в дневное время или при хорошем искусственном освещении.
7. Осторожно включайте газонокосилку в соответствии с инструкциями, ноги при этом должны находиться как можно дальше от лезвий.
8. Соблюдайте меры безопасности во избежание травмирования ног и рук лезвием газонокосилки.
9. Следите за тем, чтобы вентиляционные отверстия не были засорены.
10. Выполняйте стрижку газонов поперек склона, а не вниз-вверх. Соблюдайте особую осторожность, меняя направление движения на склонах. Не выполняйте стрижку чересчур крутых склонов.
11. Соблюдайте особую осторожность, перемещая газонокосилку задним ходом или подтягивая ее к себе.
12. Обязательно остановите лезвие(я), если машину необходимо наклонить для транспортировки по поверхности, отличной от травы, либо при транспортировке машины к месту эксплуатации и обратно.
13. Не наклоняйте машину при включении двигателя, кроме случаев, когда ее необходимо наклонять для пуска. В этом случае наклоняйте ее на минимально необходимый угол и поднимайте только дальнюю от оператора часть. При опускании газонокосилки на землю всегда крепко держите рукоятку обеими руками.

14. Не помещайте руки или ноги к вращающимся деталям или вблизи них. Никогда не становитесь перед разгрузочным отверстием.
  15. Не транспортируйте включенную газонокосилку.
  16. Не рекомендуется использовать машину на мокрой траве.
  17. Запрещается использовать газонокосилку во время дождя.
  18. Постоянно надежно удерживайте рукоятку.
  19. Поднимая или удерживая косилку, не беритесь за оголенные ножи или режущие кромки.
  20. Не приближайте руки и ноги к вращающимся ножам. Внимание - лезвия продолжают вращаться после отключения газонокосилки.
  21. Немедленно прекратите выполнение операции, если заметите отклонения в работе. Выключите газонокосилку и извлеките ключ блокировки. Затем осмотрите газонокосилку.
  22. Запрещается регулировать высоту скашивания во время движения газонокосилки (если газонокосилка позволяет регулировать высоту скашивания).
  23. Отпустите рычажный выключатель и дождитесь остановки лезвия, прежде чем переходить улицы, пешеходные дорожки, дороги и любые области с гравийным покрытием. Кроме того, извлекайте ключ блокировки, если выпускаете газонокосилку из рук, нагибаетесь, чтобы подобрать или убрать что-либо с дороги, или по любой другой причине, которая может отвлечь вас от работы.
  24. Если газонокосилка ударилась о посторонний предмет, выполните следующее:
    - выключите газонокосилку, отпустите рычажный выключатель и дождитесь полной остановки лезвия;
    - Извлеките ключ блокировки и блок аккумулятора.
    - внимательно осмотрите газонокосилку на предмет повреждений;
    - замените лезвие, если оно повреждено. Устраните повреждения, прежде чем перезапустить газонокосилку и возобновлять работу.
  25. Не включайте двигатель, стоя перед разгрузочным отверстием.
  26. Если начинается непредусмотренная вибрация машины (немедленно проверьте)
    - осмотрите на предмет повреждений;
    - замените или отремонтируйте поврежденные детали;
    - проверьте на предмет ослабленных деталей и подтяните их.
  27. Не направляйте поток срезанного материала на людей. Не направляйте поток срезанного материала на стену или какой-либо предмет. Срезанный материал может отскочить в сторону оператора. Остановите лезвия на время транспортировки по поверхности из гравия.
  28. Не тяните газонокосилку назад без крайней необходимости. Если необходимо отвести косилку от забора или другого аналогичного препятствия, смотрите вниз и назад до начала движения, а также время движения назад.
  29. Прежде чем снимать травосборник, отключите двигатель и подождите, пока лезвие полностью остановится. Имейте в виду, что лезвия продолжают вращаться после отключения.
- Техническое обслуживание и хранение**
1. Чтобы обеспечить безопасность, заменяйте изношенные и поврежденные детали. Используйте только оригинальные сменные части и приспособления.
  2. Регулярно осматривайте и выполняйте техническое обслуживание газонокосилки.
  3. Когда газонокосилка не используется, храните ее в недоступном для детей месте.
  4. Все гайки, болты и винты должны быть надежно затянуты — это обеспечит безопасность и работоспособность.
  5. Чаще проверяйте корзину для травы на предмет износа или повреждений. Помещаю устройство на хранение, обязательно очистите корзину для травы. Для обеспечения безопасности замените изношенную корзину для травы на новую.
  6. Пользуйтесь только оригинальными лезвиями производителя, указанными в данном руководстве.
  7. Соблюдайте осторожность при регулировке газонокосилки, чтобы не допустить защемления пальцев между движущимися лезвиями и неподвижными деталями машины.
  8. Не мойте машину из шланга; не допускайте попадания воды в двигатель и на электрические разъемы.
  9. Чаще проверяйте надежность затяжки болта крепления лезвия.
  10. Перед постановкой на хранение дайте косилке остыть.
  11. При обслуживании лезвий следует помнить, что лезвия могут двигаться даже при отключенном питании.
  12. Не удаляйте предохранительные устройства и не вносите в них изменения. Регулярно проверяйте правильность их работы. Не предпринимайте никаких действий, которые могут повлиять на функционирование предохранительного устройства или снизить степень защиты, обеспечиваемой предохранительным устройством.
- Эксплуатация и обслуживание электроинструмента, работающего на аккумуляторах**
1. Заряжайте аккумулятор только зарядным устройством, указанным изготовителем. Зарядное устройство, подходящее для одного типа аккумуляторов, может привести к пожару при его использовании с другим аккумуляторным блоком.
  2. Используйте электроинструмент только с указанными аккумуляторными блоками. Использование других аккумуляторных блоков может привести к травме или пожару.

3. Когда аккумуляторный блок не используется, храните его отдельно от металлических предметов, таких как скрепки, монеты, ключи, гвозди, шурупы или другие небольшие металлические предметы, которые могут привести к закорачиванию контактов аккумуляторного блока между собой. Короткое замыкание между контактами аккумуляторного блока может привести к ожогам или пожару.
4. При неправильном обращении из аккумуляторного блока может потечь жидкость. Избегайте контакта с ней. В случае контакта с кожей промойте место контакта обильным количеством воды. В случае попадания в глаза обратитесь к врачу. Жидкость из аккумулятора может вызвать раздражение или ожоги.
5. Не используйте поврежденные или модифицированные инструменты и аккумуляторные блоки. Поврежденные или модифицированные аккумуляторы могут работать некорректно, что может привести к пожару, взрыву или травмированию.
6. Не подвергайте аккумуляторный блок или инструмент воздействию огня или высокой температуры. Воздействие огня или температуры выше 130 °C может привести к взрыву.
7. Следуйте всем инструкциям по зарядке и не заряжайте аккумуляторный блок или инструмент при температурных условиях, выходящих за пределы диапазона, указанного в инструкции. Зарядка ненадлежащим образом или при температурных условиях, выходящих за пределы указанного диапазона, может привести к повреждению батареи и повысить риск пожара.

#### Электробезопасность

1. Не бросайте аккумуляторные блоки в огонь. Они могут взорваться. Уточните местные правила утилизации аккумуляторов.
2. Не вскрывайте и не разбивайте аккумуляторы. Содержащийся в них электролит очень едкий, вы можете повредить глаза или кожу. При проглатывании это вещество может вызвать отравление.
3. Не заряжайте аккумулятор под дождем или в местах с повышенной влажностью.
4. Не заряжайте аккумулятор на улице.
5. Не касайтесь зарядного устройства, а также штекера и контактов зарядного устройства влажными руками.

#### Сервисное обслуживание

1. Сервисное обслуживание электроинструмента должно проводиться только квалифицированным специалистом по ремонту и только с использованием идентичных запасных частей. Это позволит обеспечить безопасность электроинструмента.
2. Запрещается обслуживать поврежденные аккумуляторные блоки. Обслуживание аккумуляторных блоков должен осуществлять только производитель или авторизованные поставщики услуг.

## СОХРАНИТЕ ДАННЫЕ ИНСТРУКЦИИ.

**▲ОСТОРОЖНО: НЕ ДОПУСКАЙТЕ**, чтобы удобство или опыт эксплуатации данного устройства (полученный от многократного использования) доминировали над строгим соблюдением правил техники безопасности при обращении с этим устройством.

**НЕПРАВИЛЬНОЕ ИСПОЛЬЗОВАНИЕ** инструмента или несоблюдение правил техники безопасности, указанных в данном руководстве, может привести к тяжелой травме.

## Важные правила техники безопасности для работы с аккумуляторным блоком

1. Перед использованием аккумуляторного блока прочитайте все инструкции и предупредительные надписи на (1) зарядном устройстве, (2) аккумуляторном блоке и (3) инструменте, работающем от аккумуляторного блока.
2. Не разбирайте блок аккумулятора и не меняйте его конструкцию. Это может привести к пожару, перегреву или взрыву.
3. Если время работы аккумуляторного блока значительно сократилось, немедленно прекратите работу. В противном случае, может возникнуть перегрев блока, что приведет к ожогам и даже к взрыву.
4. В случае попадания электролита в глаза промойте их обильным количеством чистой воды и немедленно обратитесь к врачу. Это может привести к потере зрения.
5. Не замыкайте контакты аккумуляторного блока между собой:
  - (1) Не прикасайтесь к контактам какими-либо токопроводящими предметами.
  - (2) Не храните аккумуляторный блок в контейнере вместе с другими металлическими предметами, такими как гвозди, монеты и т. п.
  - (3) Не допускайте попадания на аккумуляторный блок воды или дождя. Замыкание контактов аккумуляторного блока между собой может привести к возникновению большого тока, перегреву, возможному ожогу и даже поломке блока.
6. Не храните и не используйте инструмент и аккумуляторный блок в местах, где температура может достигать или превышать 50 °C (122 °F).
7. Не бросайте аккумуляторный блок в огонь, даже если он сильно поврежден или полностью вышел из строя. Аккумуляторный блок может взорваться под действием огня.
8. Запрещено вбивать гвозди в блок аккумулятора, резать, ломать, бросать, ронять блок аккумулятора или ударять его твердым предметом. Это может привести к пожару, перегреву или взрыву.
9. Не используйте поврежденный аккумуляторный блок.

10. **Исходящие в комплект литий-ионные аккумуляторы должны эксплуатироваться в соответствии с требованиями законодательства об опасных товарах.**

При коммерческой транспортировке, например, третьей стороной или экспедитором, необходимо нанести на упаковку специальные предупреждения и маркировку.

В процессе подготовки устройства к отправке обязательно проконсультируйтесь со специалистом по опасным материалам. Также соблюдайте местные требования и нормы. Они могут быть строже.

Закройте или закрепите разомкнутые контакты и упакуйте аккумулятор так, чтобы он не перемещался по упаковке.

11. **Для утилизации блока аккумулятора извлеките его из инструмента и утилизируйте безопасным способом. Выполняйте требования местного законодательства по утилизации аккумуляторного блока.**
12. **Используйте аккумуляторы только с продукцией, указанной Makita.** Установка аккумуляторов на продукцию, не соответствующую требованиям, может привести к пожару, перегреву, взрыву или утечке электролита.
13. **Если инструментом не будут пользоваться в течение длительного периода времени, извлеките аккумулятор из инструмента.**
14. **Во время и после использования блок аккумулятора может нагреваться, что может стать причиной ожогов или низкотемпературных ожогов. Будьте осторожны при обращении с горячим блоком аккумулятора.**
15. **Не прикасайтесь к контактам инструмента сразу после использования, поскольку они могут быть достаточно горячими, чтобы вызвать ожоги.**
16. **Не допускайте, чтобы обломки, пыль или земля прилипали к контактам, отверстиям и пазам на блоке аккумулятора.** Это может привести к снижению эксплуатационных параметров, поломке инструмента или блока аккумулятора.
17. **Если инструмент не рассчитан на использование вблизи высоковольтных линий электропередач, не используйте блок аккумулятора вблизи высоковольтных линий электропередач.** Это может привести к неисправности, поломке инструмента или блока аккумулятора.
18. **Храните аккумулятор в недоступном для детей месте.**

## СОХРАНИТЕ ДАННЫЕ ИНСТРУКЦИИ.

**ВНИМАНИЕ:** Используйте только фирменные аккумуляторные батареи Makita.

Использование аккумуляторных батарей, не произведенных Makita, или батарей, которые были подвергнуты модификациям, может привести к взрыву аккумулятора, пожару, травмам и повреждению имущества. Это также автоматически аннулирует гарантию Makita на инструмент и зарядное устройство Makita.

## Советы по обеспечению максимального срока службы аккумулятора

1. Заряжайте блок аккумуляторов перед его полной разрядкой. Обязательно прекратите работу с инструментом и зарядите блок аккумуляторов, если вы заметили снижение мощности инструмента.
2. **Никогда не подзаряжайте полностью заряженный блок аккумуляторов. Перезарядка сокращает срок службы аккумулятора.**
3. Заряжайте блок аккумуляторов при комнатной температуре в 10 - 40 °C (50 - 104 °F). Перед зарядкой горячего блока аккумуляторов дайте ему остыть.
4. Если блок аккумулятора не используется, извлеките его из инструмента или зарядного устройства.
5. Зарядите ионно-литиевый аккумуляторный блок, если вы не будете пользоваться инструментом длительное время (более шести месяцев).

## СБОРКА

**ОСТОРОЖНО:** Прежде чем выполнять какие-либо операции с газонокосилкой, убедитесь, что ключ блокировки и блок аккумулятора извлечены. Несоблюдение этого требования может привести к тяжелой травме в результате случайного пуска инструмента.

**ОСТОРОЖНО:** Не запускайте частично собранную газонокосилку. Использование машины в частично собранном виде может стать причиной тяжелой травмы в результате случайного пуска.

## Установка крышки аккумулятора

**ОСТОРОЖНО:** Устанавливайте ключ блокировки и блок аккумулятора только после установки крышки аккумулятора. Несоблюдение этого требования может привести к серьезной травме.

Перед эксплуатацией инструмента полностью установите крышку аккумулятора. Крышка аккумулятора защищает газонокосилку и блок аккумулятора от грязи, пыли и воды.

1. Расположите крышку аккумулятора таким образом, чтобы выступы на косилке совместились с отверстиями в крышке.  
► **Рис.1:** 1. Выступ 2. Отверстие 3. Крышка аккумуляторной батареи
2. Нажмите руками на середину крышки аккумулятора.  
► **Рис.2**
3. Перед первым включением убедитесь, что петли крышки аккумулятора собраны правильно. Если крышка аккумулятора установлена верно, она не будет открываться, пока вы не нажмете на стопорный рычаг.  
► **Рис.3:** 1. Петля 2. Стопорный рычаг крышки аккумулятора

## Установка рукоятки

**ПРИМЕЧАНИЕ:** При установке рукояток расположите провода так, чтобы они не защемлялись между рукоятками. Если шнур поврежден, выключатель косилки не будет работать.

1. Установите оба конца нижней рукоятки в пазы газонокосилки и полностью затяните зажимные винты.

► **Рис.4:** 1. Зажимной винт 2. Нижняя рукоятка

2. Выровняйте отверстия под винты верхней и нижней рукояток. Зафиксируйте их при помощи зажимных винтов и гаек.

► **Рис.5:** 1. Зажимная гайка 2. Зажимной винт

**ПРИМЕЧАНИЕ:** Удерживайте верхнюю рукоятку ровно, чтобы она не выскальзывала из вашей руки.

3. Присоедините держатели к рукоятке. Расположите шнур подачи питания, как показано на рисунке.

► **Рис.6:** 1. Держатель

## Удаление вставки для мульчирования

### Дополнительные принадлежности

1. Откройте заднюю крышку.

► **Рис.7:** 1. Задняя крышка

2. Удерживайте вставку для мульчирования за рукоятку и извлеките ее из корпуса газонокосилки, как показано на рисунке.

► **Рис.8:** 1. Вставка для мульчирования 2. Рукоятка

## Установка корзины для травы

1. Откройте заднюю крышку.

► **Рис.9:** 1. Задняя крышка

2. Установите корзину для травы на стержень корпуса газонокосилки, как указано на рисунке.

► **Рис.10:** 1. Крючок 2. Шток 3. Корзина для травы

## Установка вставки для мульчирования

### Дополнительные принадлежности

1. Откройте заднюю крышку и снимите корзину для травы.

► **Рис.11:** 1. Задняя крышка 2. Корзина для травы

2. Удерживайте вставку для мульчирования за рукоятку и вставьте ее в корпус газонокосилки, как показано на рисунке.

► **Рис.12:** 1. Вставка для мульчирования 2. Рукоятка

## ОПИСАНИЕ РАБОТЫ

### Установок или снятие блока аккумуляторов

**ВНИМАНИЕ:** Перед установкой и извлечением блока аккумулятора выключайте машину.

**ВНИМАНИЕ:** Перед использованием убедитесь, что заперли крышку блока аккумулятора. В противном случае грязь, мусор или вода могут повредить изделие или блок аккумулятора.

**ВНИМАНИЕ:** Обязательно устанавливайте блок аккумулятора до конца, чтобы красный индикатор не был виден. В противном случае блок может выпасть из машины и нанести травму вам или другим людям.

**ВНИМАНИЕ:** Не прилагайте чрезмерных усилий при установке блока аккумулятора. Если блок не двигается свободно, значит он вставлен неправильно.

**ПРИМЕЧАНИЕ:** Машина не будет работать только с одним блоком аккумулятора.

### Чтобы установить блок аккумулятора:

1. Сдвиньте рычаг блокировки крышки аккумулятора и откройте крышку.

► **Рис.13:** 1. Крышка аккумуляторной батареи 2. Стопорный рычаг крышки аккумулятора

2. Совместите язычок на блоке аккумулятора с канавкой на газонокосилке, затем вставьте блок до щелчка.

► **Рис.14:** 1. Блок аккумулятора

3. Вставьте ключ блокировки до упора в точку, показанной на рисунке.

► **Рис.15:** 1. Ключ блокировки

4. Закройте крышку аккумулятора и нажмите на нее до фиксации рычагом блокировки.

### Чтобы извлечь блок аккумулятора из газонокосилки:

1. Сдвиньте рычаг блокировки крышки аккумулятора и откройте крышку.

2. Потяните блок аккумулятора, удерживая нажатой кнопку на лицевой стороне, и извлеките блок.

3. Извлеките ключ блокировки.

4. Закройте крышку аккумулятора.

### Система защиты машины / аккумулятора

На машине предусмотрена система защиты машины / аккумулятора. Система автоматически отключает питание двигателя для продления срока службы инструмента и аккумулятора. Машина автоматически отключится в указанных далее случаях, влияющих на работу самой машины или аккумулятора.

## Защита от перегрузки

Если из-за способа эксплуатации машина потребляет очень большое количество тока, она автоматически остановится без включения каких-либо индикаторов. В этом случае отключите машину и прекратите работу, из-за которой произошла перегрузка. Затем включите машину для перезапуска.

## Защита от перегрева

При перегреве машина останавливается автоматически. Дайте ей остыть перед повторным включением.

## Защита от переразрядки

При истощении заряда аккумулятора машина автоматически останавливается. Если устройство не работает даже после нажатия переключателей, снимите аккумуляторы с машины и зарядите их.

## Индикация оставшегося заряда аккумулятора

► **Рис.16:** 1. Индикатор аккумулятора









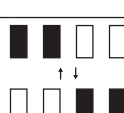
При низком заряде аккумулятора индикатор аккумулятора начинает мигать на соответствующей стороне аккумулятора. При дальнейшем использовании машина останавливается, а индикатор аккумулятора включается примерно на 10 секунд. В этом случае следует зарядить блок аккумулятора.

## Индикация оставшегося заряда аккумулятора

*Только для блоков аккумулятора с индикатором*

► **Рис.17:** 1. Индикаторы 2. Кнопка проверки

Нажмите кнопку проверки на аккумуляторном блоке для проверки заряда. Индикаторы загорятся на несколько секунд.

Индикаторы			Уровень заряда
 Горит	 Выкл.	 Мигает	
			от 75 до 100%
			от 50 до 75%
			от 25 до 50%
			от 0 до 25%
			Зарядите аккумуляторную батарею.
			Возможно, аккумуляторная батарея неисправна.

**ПРИМЕЧАНИЕ:** В зависимости от условий эксплуатации и температуры окружающего воздуха индикация может незначительно отличаться от фактического значения.

## Действие выключателя

**▲ОСТОРОЖНО:** Перед установкой блока аккумулятора обязательно убедитесь в том, что рычажный выключатель работает правильно и возвращается в исходное положение после отпущения. Эксплуатация машины с неисправным переключателем может привести к потере контроля над ней и получению тяжелой травмы.

**ПРИМЕЧАНИЕ:** Если не нажать кнопку включения, газонокосилка не запустится, даже если потянуть рычажный выключатель.

**ПРИМЕЧАНИЕ:** Газонокосилка может не запуститься по причине перегрузки, если вы косите высокую или густую траву. В таком случае увеличьте высоту стрижки.

Данная газонокосилка оснащена выключателем блокировки и ручкой с выключателем. Заметив какие-либо отклонения в работе любого из этих выключателей, немедленно прекратите работу и проверьте их в ближайшем авторизованном сервисном центре Makita.

1. Установите блоки аккумуляторов. Вставьте ключ блокировки в выключатель блокировки и закройте крышку аккумулятора.

► **Рис.18:** 1. Блок аккумулятора 2. Ключ блокировки

2. Нажмите и удерживайте кнопку включения.

3. Возьмите верхнюю рукоятку и потяните рычажный переключатель.

► **Рис.19:** 1. Кнопка включения 2. Рычаг переключателя

4. Как только двигатель заработает, отпустите кнопку включения. Газонокосилка продолжит работать до тех пор, пока вы не отпустите рычажный выключатель.

5. Для выключения двигателя отпустите рычажный выключатель.

## Регулировка высоты стрижки

**▲ОСТОРОЖНО:** При регулировке высоты стрижки не подсовывайте руку или ногу под газонокосилку.

**▲ОСТОРОЖНО:** Перед началом работы обязательно проверяйте, что рычаг хорошо входит в паз.

Высоту скашивания можно регулировать в диапазоне от 20 мм до 75 мм.

1. Извлеките ключ блокировки.

2. Потяните рычаг регулировки высоты стрижки к внешней стороне корпуса косилки и переведите его на нужную высоту.

► **Рис.20:** 1. Рычаг регулировки высоты стрижки

**ПРИМЕЧАНИЕ:** Значения высоты стрижки приведены только для справки. В зависимости от состояния газона и почвы конечная высота скошенной травы может незначительно отличаться от заданной.

**ПРИМЕЧАНИЕ:** Чтобы добиться желаемой высоты, выполните пробное скашивание на не слишком заметном участке газона.

## Индикатор уровня травы

### ► Рис.21: 1. Индикатор уровня травы

Индикатор уровня травы показывает объем скошенной травы.

- Если корзина для травы не заполнена до верха, индикатор во время работы плавает.
- Если корзина для травы заполнена, индикатор во время работы неподвижен. В этом случае немедленно прекратите скашивание и опорожните корзину. Опорожнив корзину, очистите ее, чтобы воздух легко проходил через сетку.

**ПРИМЕЧАНИЕ:** Данный индикатор показывает приблизительный объем. В зависимости от условий внутри корзины индикатор может работать с ошибками.

## Использование вставки для мульчирования

### Дополнительные принадлежности

Вставка для мульчирования позволяет сбрасывать измельченную траву обратно на газон без сбора в корзину для травы. При работе с машиной, на которой установлена вставка для мульчирования, снимите корзину для травы.

**ПРИМЕЧАНИЕ:** При использовании машины со вставкой для мульчирования убедитесь в том, что общая длина травы после срезания составляет не менее 30 мм, а длина среза – не более 15 мм.

- Рис.22: (1) 30 мм или больше (2) 15 мм или меньше

## ЭКСПЛУАТАЦИЯ

### Скашивание

**▲ ОСТОРОЖНО:** Перед скашиванием убедитесь с газона ветки и камни. Кроме того, заблаговременно очистите газон от сорняков.

**▲ ОСТОРОЖНО:** При использовании газонокосилки обязательно надевайте защитные очки с боковыми щитками.

**▲ ВНИМАНИЕ:** Если внутри корпуса газонокосилки набилась скошенная трава или посторонние предметы, перед очисткой корпуса обязательно вытащите ключ блокировки и блок аккумулятора и наденьте перчатки.

**ПРИМЕЧАНИЕ:** Ипользуйте машину только для стрижки газонов. Не используйте ее для скашивания сорняков.

### ► Рис.23

Во время работы крепко удерживайте рукоятку обеими руками.

Рекомендованная скорость кошения составляет приблизительно 1 м за 4 с.

### ► Рис.24

Внешние края передних колес служат ориентиром ширины полосы скашивания. Используйте внешние края передних колес в качестве ориентиров, косите полосами. Чтобы равномерно подстричь газон, захватывайте половину или третью часть предыдущей полосы.

- Рис.25: 1. Ширина скашивания 2. Зона захвата 3. Внешние края

Каждый раз меняйте направление движения, чтобы избежать пригибания травы в одном направлении.

### ► Рис.26

Периодически проверяйте степень заполнения корзины для травы. Опорожните корзину, прежде чем она заполнится полностью. Перед каждой проверкой обязательно останавливайте газонокосилку и извлеките ключ блокировки и блок аккумулятора.

**ПРИМЕЧАНИЕ:** Эксплуатация газонокосилки с заполненной корзиной для травы мешает плавному вращению лезвия и оказывает дополнительную нагрузку на двигатель, что может привести к поломке.

## Скашивание высокой травы

Не старайтесь скосить длинную траву за один проход. Вместо этого выполняйте работу в несколько этапов. Скашивайте газон с интервалом в один или два дня до тех пор, пока он не станет ровным.

**ПРИМЕЧАНИЕ:** Скашивание высокой травы за один проход может стать причиной ее засыхания. Скошенная трава также может застрять в корпусе косилки.

## Опорожнение корзины для травы

**▲ ОСТОРОЖНО:** Чтобы снизить риск несчастного случая, регулярно проверяйте корзину для травы на предмет повреждений и потери прочности. При необходимости замените ее.

1. Отпустите рычажный выключатель.
  2. Извлеките ключ блокировки.
  3. Откройте заднюю крышку и извлеките корзину для травы за специальную рукоятку.
- Рис.27: 1. Задняя крышка 2. Ручка
4. Опорожните корзину для травы.

# ОБСЛУЖИВАНИЕ

**⚠ОСТОРОЖНО:** Перед помещением на хранение, переноской, осмотром или техническим обслуживанием газонокосилки обязательно вынимайте ключ блокировки и блок аккумулятора.

**⚠ОСТОРОЖНО:** Если газонокосилка не используется, обязательно извлеките ключ блокировки. Храните ключ блокировки в безопасном месте, недоступном для детей.

**⚠ОСТОРОЖНО:** При осмотре и обслуживании надевайте защитные перчатки.

**⚠ОСТОРОЖНО:** При осмотре и техническом обслуживании газонокосилки обязательно надевайте защитные очки с боковыми щитками.

**ПРИМЕЧАНИЕ:** Запрещается использовать бензин, растворители, спирт и другие подобные жидкости. Это может привести к обесцвечиванию, деформации и трещинам.

Для обеспечения БЕЗОПАСНОСТИ и НАДЕЖНОСТИ оборудования ремонт, любое другое техобслуживание или регулировку необходимо производить в уполномоченных сервис-центрах Makita или сервис-центрах предприятия с использованием только сменных частей производства Makita.

## Обслуживание

1. Извлеките ключ блокировки. Храните его в безопасном месте, недоступном для детей.
2. Очистите газонокосилку влажной тряпкой. При очистке газонокосилки не распыляйте на нее воду и не поливайте ее водой.
3. Положите газонокосилку на бок и очистите обрезки травы, скопившиеся на днище.
4. Проверьте надежность затяжки всех гаек, болтов, рукояток, винтов, креплений и т. п.
5. Осмотрите подвижные части на предмет повреждений, поломок и износа. Необходимо отремонтировать или заменить поврежденные компоненты.

## Хранение

**⚠ОСТОРОЖНО:** При переноске газонокосилки или помещении на хранение беритесь не за сложные рукоятки, а за переднюю ручку. В противном случае можно повредить сложные рукоятки или получить тяжелую травму.

Перед помещением газонокосилки на хранение извлеките блок аккумулятора и ключ блокировки. Храните газонокосилку в помещении, в сухом, прохладном, запираемом месте. Не храните газонокосилку и зарядное устройство в местах, где температура может подниматься до 40 °С и выше.

► **Рис.28:** 1. Передняя рукоятка 2. Задняя рукоятка

1. Ослабьте зажимные винты и раздвиньте нижнюю рукоятку с обеих сторон. Переместите переднюю рукоятку вниз. В этот момент надежно удерживайте нижнюю рукоятку, чтобы она не упала далеко от корпуса косилки.

► **Рис.29:** 1. Зажимной винт 2. Нижняя рукоятка

2. Ослабьте зажимные гайки и поверните верхнюю рукоятку назад, выдвигая с обеих сторон.

► **Рис.30:** 1. Зажимная гайка 2. Верхняя рукоятка

3. Храните корзину для травы между рукояткой и корпусом газонокосилки.

► **Рис.31:** 1. Корзина для травы

**ПРИМЕЧАНИЕ:** При установке газонокосилки в вертикальное положение не беритесь за рукоятку, а используйте переднюю ручку.

## Снятие или установка лезвия косилки

**⚠ОСТОРОЖНО:** Обязательно извлекайте ключ блокировки и блок аккумулятора при снятии и установке лезвия. Невыполнение этого требования может привести к тяжелой травме.

**⚠ОСТОРОЖНО:** После отпущения выключателя лезвие продолжает вращаться по инерции в течение нескольких секунд. Не приступайте к выполнению каких-либо операций, пока лезвие полностью не остановится.

**⚠ОСТОРОЖНО:** При работе с лезвием обязательно надевайте защитные перчатки.

## Снятие лезвия газонокосилки

### Модель DLM382

1. Положите газонокосилку на бок, чтобы рычаг регулировки высоты стрижки оказался сверху.
2. Чтобы заблокировать вращение лезвия, вставьте отвертку или аналогичный инструмент в отверстие на корпусе газонокосилки.
3. Поверните болт гаечным ключом против часовой стрелки.  
► **Рис.32:** 1. Лезвие газонокосилки 2. Шуруповерт 3. Гаечный ключ
4. Последовательно извлеките болт и лезвие газонокосилки.  
► **Рис.33:** 1. Опора лезвия 2. Лезвие газонокосилки 3. Болт

### Модель DLM432

1. Положите газонокосилку на бок, чтобы рычаг регулировки высоты стрижки оказался сверху.
2. Чтобы заблокировать вращение лезвия, вставьте отвертку или аналогичный инструмент в отверстие на корпусе газонокосилки.
3. Поверните болт гаечным ключом против часовой стрелки.  
► **Рис.34:** 1. Лезвие газонокосилки 2. Шуруповерт 3. Гаечный ключ
4. Извлеките болт, наружный фланец, лезвие газонокосилки и внутренний фланец.  
► **Рис.35:** 1. Внутренний фланец 2. Лезвие газонокосилки 3. Наружный фланец 4. Болт



## Установка лезвия газонокосилки

Установка лезвия газонокосилки выполняется в порядке, обратном процедуре снятия.

**⚠ОСТОРОЖНО:** Осторожно установите лезвие газонокосилки. Лезвие имеет верхнюю и нижнюю сторону. Расположите лезвие так, чтобы стрелка, обозначающая направление вращения, указывала наружу.

**⚠ОСТОРОЖНО:** Надежно затяните болт по часовой стрелке, чтобы зафиксировать лезвие.

**⚠ОСТОРОЖНО:** Убедитесь в том, что лезвие газонокосилки и все крепежные детали установлены правильно и надежно затянуты.

**⚠ОСТОРОЖНО:** При замене лезвий всегда следуйте инструкциям, приведенным в руководстве по эксплуатации.

## ПОИСК И УСТРАНЕНИЕ НЕИСПРАВНОСТЕЙ

Прежде чем обращаться по поводу ремонта, проведите осмотр самостоятельно. Если обнаружена неисправность, не указанная в руководстве, не пытайтесь разобрать инструмент. Обратитесь в один из авторизованных сервисных центров Makita, в которых для ремонта всегда используются оригинальные детали Makita.

Состояние неисправности	Возможная причина (неисправности)	Способ устранения
Газонокосилка не запускается.	Не установлены два блока аккумуляторов.	Установите заряженные блоки аккумуляторов.
	Неисправен аккумулятор (под напряжением)	Зарядите блок аккумулятора. Если перезарядка не помогает, замените блок аккумулятора.
	Ключ блокировки не вставлен.	Вставьте ключ блокировки.
После непродолжительного использования двигатель останавливается.	Низкий уровень заряда аккумулятора.	Зарядите блок аккумулятора. Если перезарядка не помогает, замените блок аккумулятора.
	Установлена слишком малая высота срезания.	Увеличьте высоту срезания.
Двигатель не достигает максимальной частоты вращения.	Неправильно установлен блок аккумулятора.	Вставьте блок аккумулятора, как описано в этом руководстве.
	Заряд аккумулятора падает.	Зарядите блок аккумулятора. Если перезарядка не помогает, замените блок аккумулятора.
	Привод работает неправильно.	Обратитесь в местный авторизованный центр для ремонта.
Лезвие газонокосилки не вращается: ⇒ немедленно выключите косилку!	Посторонний объект (например, ветка) застрял у лезвия.	Удалите посторонний предмет.
	Привод работает неправильно.	Обратитесь в местный авторизованный центр для ремонта.
Сильная вибрация: ⇒ немедленно выключите косилку!	Лезвие разбалансировано, изношено слишком сильно или неравномерно.	Замените лезвие.

## ДОПОЛНИТЕЛЬНЫЕ ПРИНАДЛЕЖНОСТИ

**⚠ ВНИМАНИЕ:** Данные принадлежности или приспособления рекомендуются для использования с инструментом Makita, указанным в настоящем руководстве. Использование других принадлежностей или приспособлений может привести к получению травмы. Используйте принадлежность или приспособление только по указанному назначению.

Если вам необходимо содействие в получении дополнительной информации по этим принадлежностям, свяжитесь с вашим сервис-центром Makita.

- Лезвие газонокосилки
- Вставка для мульчирования
- Оригинальный аккумулятор и зарядное устройство Makita

**ПРИМЕЧАНИЕ:** Некоторые элементы списка могут входить в комплект инструмента в качестве стандартных приспособлений. Они могут отличаться в зависимости от страны.



**Makita Europe N.V.** Jan-Baptist Vinkstraat 2,  
3070 Kortenberg, Belgium

**Makita Corporation** 3-11-8, Sumiyoshi-cho,  
Anjo, Aichi 446-8502 Japan

[www.makita.com](http://www.makita.com)

885748A988  
EN, SV, NO, FI, DA,  
LV, LT, ET, RU  
20200324