

## ENGLISH

### STAND FAN VT-1948 BK

The fan is intended for artificial ventilation of the room.

#### Description

1. Front safety grid
2. Blade clamp
3. Clamp ring with screw and nut
4. Blades
5. Rear grid fastening nut
6. Rear grid with carrying handle
7. Motor axis
8. Slope angle adjuster
9. Motor unit
10. Control panel
11. Motor unit clamp
12. Telescopic bar
13. Telescopic bar clamp
14. Decorative panel
15. Supports
16. Fastening screws

#### Control panel (10)

17. «OSC» rotation mode button
18. Rotation mode power indicator «OSC»
19. Air flow mode indicator «SLEEP»
20. Automatic switch-off timer operation time indicators «0.5-1-2-4»
21. Blades rotation speed indicators «LOW, MID, HIGH»
22. «TIMER» timer operation time selection button
23. Speed operation mode selection button «SPEED»
24. Operation mode setting button
25. Fan on/off button «ON/OFF»

#### Remote control (26)

27. «TIMER» timer operation time selection button
28. «ON/OFF» button
29. «MODE» air flow mode selection button
30. Speed operation mode selection button «SPEED»
31. «OSC» rotation mode button
32. Battery compartment lid

#### SAFETY MEASURES

Before using the electrical appliance, read this instruction manual carefully, and keep it for further reference.

Use the unit for intended purposes only, as specified in this manual. Mishandling the unit can lead to its breakage and cause harm to the user or damage to his/her property.

- Before switching the unit on for the first time, make sure that your home mains voltage corresponds to unit operating voltage.
- Before using the unit, examine the power cord closely and make sure that it is not damaged. If you find that the power cord is damaged, do not use the unit.
- Do not use the fan outdoors.
- Place the unit on a flat, dry and steady surface away from sources of heat or open flame.
- Do not use the unit near containers filled with water, next to a kitchen sink, in wet basements or near a swimming pool.
- Do not immerse the fan, power cord and power plug into water or any other liquids.
- Do not touch the unit body and the power plug with wet hands.
- If the fan falls into water, unplug it before touching it and only then you may take the fan out of water. Apply to the nearest authorized service center for testing or repairing the unit at the contact addresses given in the warranty certificate and on the website [www.vitek.ru](http://www.vitek.ru).
- Make sure that the power cord does not contact with hot surfaces and sharp furniture edges.
- Do not switch the unassembled fan on.
- Do not insert any foreign objects into the openings of the fan protective grids to avoid injuries or unit damage.
- Do not touch the rotating blades during the fan operation.
- Do not place the fan near curtains or house plants.
- It is not recommended to stay under the air flow coming from the fan for a long time (especially for children and elderly people).
- Do not leave the operating unit unattended.
- Unplug the fan before cleaning and when you do not use the unit or before moving it to a new place.
- When unplugging the fan, pull the plug but not the cord.
- Clean the unit regularly.
- Do not leave children unattended to prevent using the unit as a toy.
- For children safety reasons do not leave polyethylene bags, used as packaging, unattended.

**ATTENTION!** Do not allow children to play with polyethylene bags or packaging film. **Danger of suffocation!**

- Do not allow children to touch the unit body and the power cord during the unit operation.
- The unit is not intended for usage by physically or mentally disabled persons (including children) or by persons lacking experience or knowledge if they are not under supervision of a person who is responsible for their safety or if they are not instructed by this person on the usage of the unit.
- Do not use the fan if the blades, power cord or power plug are damaged, if the fan works improperly, after it was dropped or was damaged in some other way.

- Do not attempt to repair the unit. Do not disassemble the unit by yourself, if any malfunction is detected or after it was dropped, unplug the unit and apply to any authorized service center at the contact addresses given in the warranty certificate and on the website [www.vitek.ru](http://www.vitek.ru).
- Transport the unit in the original package.
- For environmental protection do not discard the unit with usual household waste after its service life expiration; apply to a specialized center for further recycling.
- Keep the unit in a dry cool place out of reach of children and disabled persons.

#### THIS UNIT IS INTENDED FOR HOUSEHOLD USAGE ONLY

#### BEFORE THE FIRST USE

After unit transportation or storage at low temperature keep it for at least three hours at room temperature before switching on.

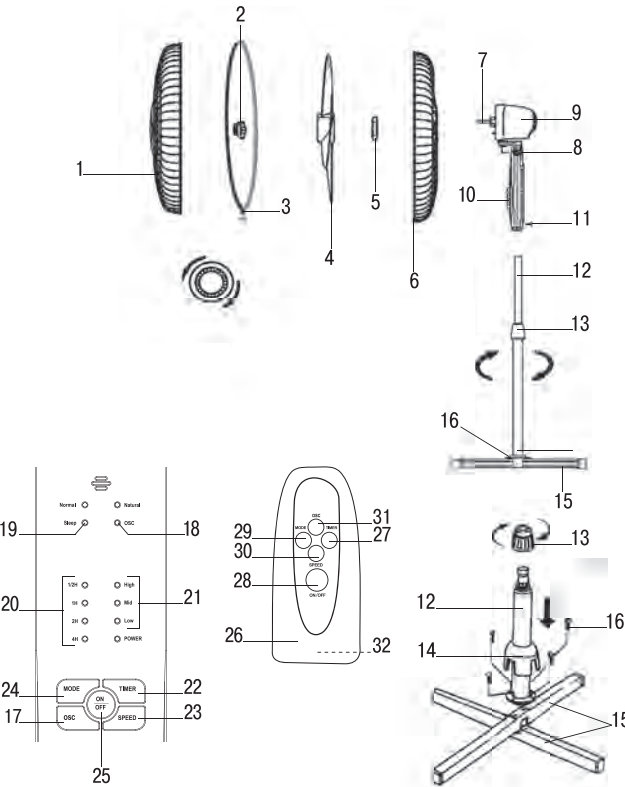
#### Fan assembling

- Unpack the unit and remove any stickers that can prevent its operation.
- Check the unit for damages, do not use it in case of damages.
- Set the supports (15) crosswise on a flat dry surface.
- Set the telescopic bar (12) on the supports (15) and fix it with four fastening screws (16).
- Unscrew and remove the clamp (13) by rotating it counterclockwise, set the decorative panel (14) on the telescopic bar (12). Set the clamp (13) back to its place by turning it clockwise for several times.
- Extend the bar (12) to the desired height and fix it by tightening the clamp (13) with a slight effort as you turn it clockwise.
- Install the motor unit (9) on the telescopic bar (12) until bumping and fix it with the clamp (11), do not apply excessive effort when screwing the clamp of the motor unit (11).
- Set the rear grid (6) on the motor unit (9) matching the guides on the motor unit (9) with the corresponding openings on the grid (6). The carrying handle on the rear grid (6) should be turned upwards.
- Fix the rear grid (6) on the motor unit (9) with the plastic nut (5) by screwing it clockwise until bumping.
- Put the blades (4) on the motor axis (7) matching the groove on the blades with the clamp on the motor axis and fix them with the plastic clamp (2) rotating it counterclockwise and holding the blades (4) with your free hand.
- Set the nut and the fixing screw into the clamp ring (3) sockets.
- Match the front grid (1) and the rear grid (6), fix them with the clamp ring (3) and tighten up the clamp ring (3) by turning the fixing screw tight.

**Note!** For easy assembling of the fan grids first install the clamp ring (3) on the rear grid (6) and tighten up the fastening screw slightly. Install the bottom part of the front grid (1) on the clamp ring (3). Then press the bottom part of the front grid (1) to the clamp ring (3) and squeezing both grids on the both sides install the grid (1) under the clamp ring (3). Tighten the fastening screw (4).

#### USAGE

- Before using the unit for the first time, make sure that the voltage in your mains corresponds to the unit operating voltage.
- Insert the power plug into the socket, you will hear a sound signal.
- Note:** every pressing of the control panel buttons (17, 22, 23, 24, 25) is accompanied by a sound signal.
- Press the «ON/OFF» button (25), there will be a sound signal, the air flow mode indicator (19) «SLEEP» (red) and the blades rotation speed indicator (21) «LOW» will light up, and the fan will start operating.
- Press upper or lower part of the button (24) again to select the blades rotation speed; the light indicators (21) inform about the selected blades rotation speed:
  - «LOW» – low air flow speed
  - «MID» – medium air flow speed
  - «HIGH» – high air flow speed.
- Press the «OSC» button (17) to switch the 90° oscillation operation mode of the fan on, the indicator (18) will light up.
- To stop the rotation mode, press the «OSC» button (17) again, the indicator (18) will go out.
- Automatic switch-off timer operation time is selected by the «TIMER» button (22), the light indicators (20) will inform about the set time. You can set the fan operation time from 0.5 hours to 7.5 hours (with 0.5 hours setting step).
- To switch the timer off press the «TIMER» button (22) repeatedly until all the indicators (20) go out.
- Consequently press the «SPEED» button (23) to select modes, the operation modes are indicated with a change of the «SLEEP» indicator's (19) color:
  - «NORMAL» – simple ventilation, the «SLEEP» indicator (19) glows red; the blades rotation speed mode is selected with the button (30) and indicated with the indicators (21) «LOW, MID, HIGH».
  - «NATURE» – natural wind, the «SLEEP» indicator (19) is off; natural wind imitation mode, the air flow speed is chaotically changing: from soft breeze to strong gust of wind.
  - «SLEEP» – calming wind, the «SLEEP» indicator (19) glows green; the air flow speed is changing in cycles, constantly increasing and decreasing.
  - «NORMAL» – simple ventilation, the «SLEEP» indicator (19) glows red; the blades rotation speed mode is selected with the button (30) and indicated with the indicators (21) «LOW, MID, HIGH».
- You may change the position of the motor unit (9) of the fan in accordance with the required air flow angle in the vertical position, the fan slope angle is set manually. To change the fan slope angle press with a slight effort on the motor unit (9) upwards or downwards. Clicking while the fan is being tilted is normal.
- Insert the power plug into the socket, you will hear a sound signal.
- Press the «ON/OFF» button (28) on the remote control (26), the air flow mode indicator (19) «SLEEP» (red) and the blades rotation speed indicator (21) «LOW» will light up on the control panel (10), and the fan will start operating.
- By pressing the «SPEED» button (30) again you may set the required blades rotation speed of the fan, the light indicators (19) on the control panel (10) inform about the selected speed:
  - «LOW» – low air flow speed
  - «MID» – medium air flow speed
  - «HIGH» – high air flow speed.
- Press the «OSC» button (31) on the remote control (26) to switch the 90° oscillation operation mode of the fan on, the indicator (18) will light up on the control panel (10). To switch this function off or to set the unit body rotation in the desired direction press the «OSC» button (31) again.
- Consequently press the «MODE» button (29) on the remote control (26) to select the air flow mode. You may choose three operation modes, the operation modes are indicated with a change of the «SLEEP» indicator's (19) color on the control panel (10):
  - «NORMAL» – simple ventilation, the «SLEEP» indicator (19) glows red; the blades rotation speed mode is selected with the button (30) and indicated with the indicators (21) «LOW, MID, HIGH» on the control panel (10).
  - «NATURE» – natural wind, the «SLEEP» indicator (19) is off; natural wind imitation mode, the air flow speed is chaotically changing: from soft breeze to strong gust of wind.
  - «SLEEP» – calming wind, the «SLEEP» indicator (19) glows green; the air flow speed is changing in cycles, constantly increasing and decreasing.
  - «NORMAL» – simple ventilation, the «SLEEP» indicator (19) glows red; the blades rotation speed mode is selected with the button (30) and indicated with the indicators (21) «LOW, MID, HIGH» on the control panel (10).
- Select the operation time of the automatic switch-off timer by consequently pressing the «TIMER» button (27) on the remote control (26), the light indicators (20) on the control panel (10) will inform about the set operation time. You can set the fan operation time from 0.5 hours to 7.5 hours (with 0.5 hours setting step). To switch the timer off press the «TIMER» button (27) repeatedly until all the indicators (20) on the control panel (10) go out.
- To switch the fan off press the «ON/OFF» button (28).



- «NATURE» – natural wind, the «SLEEP» indicator (19) is off; natural wind imitation mode, the air flow speed is chaotically changing: from soft breeze to strong gust of wind.
- «SLEEP» – calming wind, the «SLEEP» indicator (19) glows green; the air flow speed is changing in cycles, constantly increasing and decreasing.
- «NORMAL» – simple ventilation, the «SLEEP» indicator (19) glows red; the blades rotation speed mode is selected with the button (30) and indicated with the indicators (21) «LOW, MID, HIGH».
- To switch the fan off press the «ON/OFF» button (28).
- You may change the position of the motor unit (9) of the fan in accordance with the required air flow angle in the vertical position, the fan slope angle is set manually. To change the fan slope angle press with a slight effort on the motor unit (9) upwards or downwards. Clicking while the fan is being tilted is normal.
- Insert the power plug into the socket, you will hear a sound signal.
- Press the «ON/OFF» button (28) on the remote control (26), the air flow mode indicator (19) «SLEEP» (red) and the blades rotation speed indicator (21) «LOW» will light up on the control panel (10), and the fan will start operating.
- By pressing the «SPEED» button (30) again you may set the required blades rotation speed of the fan, the light indicators (19) on the control panel (10) inform about the selected speed:
  - «LOW» – low air flow speed
  - «MID» – medium air flow speed
  - «HIGH» – high air flow speed.
- Press the «OSC» button (31) on the remote control (26) to switch the 90° oscillation operation mode of the fan on, the indicator (18) will light up on the control panel (10). To switch this function off or to set the unit body rotation in the desired direction press the «OSC» button (31) again.
- Consequently press the «MODE» button (29) on the remote control (26) to select the air flow mode. You may choose three operation modes, the operation modes are indicated with a change of the «SLEEP» indicator's (19) color on the control panel (10):
  - «NORMAL» – simple ventilation, the «SLEEP» indicator (19) glows red; the blades rotation speed mode is selected with the button (30) and indicated with the indicators (21) «LOW, MID, HIGH» on the control panel (10).
  - «NATURE» – natural wind, the «SLEEP» indicator (19) is off; natural wind imitation mode, the air flow speed is chaotically changing: from soft breeze to strong gust of wind.
  - «SLEEP» – calming wind, the «SLEEP» indicator (19) glows green; the air flow speed is changing in cycles, constantly increasing and decreasing.
  - «NORMAL» – simple ventilation, the «SLEEP» indicator (19) glows red; the blades rotation speed mode is selected with the button (30) and indicated with the indicators (21) «LOW, MID, HIGH» on the control panel (10).
- Select the operation time of the automatic switch-off timer by consequently pressing the «TIMER» button (27) on the remote control (26), the light indicators (20) on the control panel (10) will inform about the set operation time. You can set the fan operation time from 0.5 hours to 7.5 hours (with 0.5 hours setting step). To switch the timer off press the «TIMER» button (27) repeatedly until all the indicators (20) on the control panel (10) go out.
- To switch the fan off press the «ON/OFF» button (28).

#### MAINTENANCE AND CARE

- Before cleaning the fan switch it off by pressing the «ON/OFF» button (25) on the control panel (10) or the «ON/OFF» button (28) on the remote control (26) and unplug it.
- Do not use abrasive cleaners and solvents to clean the unit.
- Clean the motor unit (9) with a slightly damp cloth, and then wipe it dry.
- If you need to clean the blades (4), unscrew the nut on the rear grid (3), remove the ring (3), remove the front grid (1), and then wipe the blades with a slightly damp cloth.
- Install the front grid (1) and the ring (3) back to its place.
- You may clean the fan blades with a vacuum cleaner using a proper attachment.
- Do not immerse the motor unit (9) of the fan into water or any other liquids. Make sure that no liquids get into the motor unit (9) of the fan to avoid its damage and prevent risk of electric shock.

#### Storage

- Unplug the fan and clean it.
- Disassemble the fan, if needed.
- Remove the ring (3), the front grid (1), **unscrew the blade clamp (2) by turning it clockwise**, remove the blades (4), unscrew the fixing nut of the rear grid (5) and remove the grid (6).
- Unscrew the clamp (11) and remove the motor unit (9) from the telescopic bar (12).
- Unscrew 4 nuts and remove the telescopic bar (12) from the supports (15).
- Pack the fan into the original package and put it away for storage in a dry cool place away from children.

#### DELIVERY SET

- Motor unit – 1 pc.
- Front grid – 1 pc.
- Clamp ring with the screw and nut – 1 pc.
- Blade clamp – 1 pc.
- Blades – 1 pc.
- Rear grid – 1 pc.
- Telescopic bar with clamp and decorative panel – 1 pc.
- Supports – 2 pcs.
- Screw – 4 pcs.
- Remote control – 1 pc.
- Instruction manual – 1 pc.

#### TECHNICAL SPECIFICATIONS

- Power supply: 220-240 V ~ 50/60Hz
- Maximum power: 60 W
- Blades diameter: 40 cm (16")

The manufacturer reserves the right to change the specifications of the unit without a preliminary notification.

#### Service life of the fan is 3 years

**Guarantee**  
Details regarding guarantee conditions can be obtained from the dealer from whom the appliance was purchased. The bill of sale or receipt must be produced when making any claim under the terms of this guarantee.

## РУССКИЙ

### ВЕНТИЛЯТОР НАПОЛЬНЫЙ VT-1948 BK

Вентилятор предназначен для искусственной вентиляции помещений.

#### Описание

1. Передняя защитная решётка
2. Фиксатор лопастей
3. Фиксирующий обод с винтом и гайкой
4. Лопасты
5. Гайка крепления задней решётки
6. Задняя решётка с ручкой для переноски
7. Ось электромотора
8. Регулятор угла наклона
9. Моторный блок вентилятора
10. Панель управления
11. Фиксатор моторного блока вентилятора
12. Выдвижная штанга
13. Фиксатор выдвижной штанги
14. Декоративная накладка
15. Опоры
16. Крепёжные винты

#### Панель управления (10)

17. Кнопка включения режима вращения «OSC»
18. Индикатор включения режима вращения «OSC»
19. Индикатор режимов воздушного потока «SLEEP»
20. Индикатор времени работы таймера
21. Индикатор скорости вращения лопастей «LOW, MID, HIGH»
22. Кнопка выбора времени работы таймера «TIMER»
23. Кнопка выбора скоростного режима работы «SPEED»
24. Кнопка установки режимов работы
25. Кнопка включения/выключения вентилятора «ON/OFF»

#### Пульт дистанционного управления (26)

27. Кнопка выбора времени работы таймера «TIMER»
28. Кнопка включения/выключения «ON/OFF»
29. Кнопка выбора режимов воздушного потока «MODE»
30. Кнопка выбора скоростного режима работы «SPEED»
31. Кнопка включения режима вращения «OSC»
32. Крышка батарейного отсека

### МЕРЫ БЕЗОПАСНОСТИ

Перед началом эксплуатации электроприбора внимательно прочитайте настоящую инструкцию по эксплуатации и сохраните её для использования в качестве справочного материала.

Используйте устройство только по его прямому назначению, как изложено в данной инструкции. Неправильное обращение с устройством может привести к его поломке, причинению вреда пользователю или его имуществу.

- Перед первым включением убедитесь в том, что напряжение электрической сети соответствует рабочему напряжению устройства.
- Перед использованием прибора внимательно осмотрите сетевой шнур и убедитесь в том, что он не повреждён. Если вы обнаружили повреждение сетевого шнура, не пользуйтесь устройством.
- Запрещается использовать вентилятор вне помещений.
- Устанавливайте устройство на ровной, сухой и устойчивой поверхности, вдали от источников тепла или открытого пламени.
- Не используйте устройство вблизи ёмкостей с водой, в непосредственной близости от кухонной раковины, в сырых подвальных помещениях или рядом с бассейном.
- Не погружайте вентилятор, сетевой шнур и вилку сетевого шнура в воду или любые другие жидкости.
- Не прикасайтесь к корпусу устройства и к вилке сетевого шнура мокрыми руками.
- Если вентилятор упал в воду, то прежде чем достать его из воды, необходимо вынуть вилку сетевого шнура из электрической розетки, и только после этого можно извлечь вентилятор из воды. Обратитесь в ближайший авторизованный (уполномоченный) сервисный центр для осмотра или ремонта вентилятора, по контактным адресам, указанным в гарантийном талоне и на сайте [www.vitek.ru](http://www.vitek.ru).
- Не допускайте соприкосновения сетевого шнура с горячими поверхностями и острыми крошками мебели.
- Запрещается включать несобранный вентилятор.
- Во избежание получения травм или повреждения устройства запрещается вставлять посторонние предметы в отверстия защитных решёток вентилятора.
- Запрещается прикасаться к вращающимся лопастям во время работы вентилятора.
- Не размещайте вентилятор вблизи штор, занавесок или комнатных растений.
- Не рекомендуется находиться под потоком воздуха от вентилятора в течение продолжительного периода времени (особенно детям и людям пожилого возраста).
- Никогда не оставляйте включённое устройство без присмотра.
- Отключайте вентилятор от электрической сети перед чистой, а также в том случае, если вы не пользуетесь устройством или перед тем, как перенести его в новое место.

- Отключайте вентилятор от электрической сети, не тяните за сетевой шнур, а держитесь за вилку сетевого шнура.
- Регулярно производите чистку устройства.
- Осуществляйте надзор за детьми, чтобы не допустить использования устройства в качестве игрушки.
- Из соображений безопасности детей не оставляйте полиэтиленовые пакеты, используемые в качестве упаковки, без присмотра.
- Внимание! Не разрешайте детям играть с полиэтиленовыми пакетами или упаковочной плёнкой. Опасность удушья!
- Не разрешайте детям прикасаться к устройству и к сетевому шнуру во время работы устройства.
- Данное устройство не предназначено для использования лицами (включая детей) с пониженными физическими, психическими или умственными способностями или при отсутствии у них опыта или знаний, если они не находятся под контролем или не проинструктированы об использовании прибора лицом, ответственным за их безопасность.
- Запрещается использовать вентилятор при повреждении лопастей, сетевого шнура или вилки сетевого шнура, если вентилятор работает с перебоями, после его падения или иного повреждения.
- Запрещается самостоятельно ремонтировать прибор. Не разбирайте прибор самостоятельно, при возникновении любых неисправностей, а также после падения устройства выключите прибор из розетки и обратитесь в любой авторизованный (уполномоченный) сервисный центр по контактным адресам, указанным в гарантийном талоне и на сайте [www.vitek.ru](http://www.vitek.ru).
- Перевозите устройство в заводской упаковке.
- В целях защиты окружающей среды, после окончания срока службы прибора не выбрасывайте его вместе с бытовыми отходами, передайте прибор в специализированный пункт для дальнейшей утилизации.
- Храните устройство в сухом прохладном месте, недоступном для детей и людей с ограниченными возможностями.

### УСТРОЙСТВО ПРЕДНАЗНАЧЕНО ТОЛЬКО ДЛЯ БЫТОВОГО ИСПОЛЬЗОВАНИЯ

### ПЕРЕД ПЕРВЫМ ИСПОЛЬЗОВАНИЕМ

После транспортировки или хранения устройства при пониженной температуре необходимо выдержать его при комнатной температуре не менее трёх часов.

#### Сборка вентилятора

- Извлеките устройство из упаковки и удалите любые наклейки, мешающие работе устройства.
- Проверьте целостность устройства, при наличии повреждений не пользуйтесь устройством.
- Установите крестовидно опоры (15), используя ровную сухую поверхность.
- Установите на опоры (15) телескопическую штангу (12) и закрепите её четырьмя крепёжными винтами (16).
- Откройте и снимите фиксатор (13), поворачивая его против часовой стрелки, установите на телескопическую штангу (12) декоративную накладку (14). Установите на место фиксатор (13), повернув его несколько раз по часовой стрелке.
- Выдвиньте штангу (12) на желаемую высоту и зафиксируйте её, закрепив с небольшим усилием фиксатор (13), поворачивая его по часовой стрелке.
- Установите до упора моторный блок (9) на телескопическую штангу (12) и закрепите его фиксатором (11), не прилагая значительных усилий при закручивании фиксатора моторного блока (11).
- Установите заднюю решётку (6) на моторный блок (9) с соответствующими отверстиями на решётке (6). Ручка для переноски, расположенная на задней решётке (6), должна быть сверху.
- Закрепите заднюю решётку (6) на моторном блоке (9) пластиковой гайкой (5), закрутив её по часовой стрелке до упора.
- Установите лопасти (4) на ось электромотора (7), совместив паз лопастей с фиксатором на оси электромотора, и закрепите их пластиковым фиксатором (2), поворачивая его против часовой стрелки, придерживая лопасти (4) свободной рукой.
- В гнезда фиксирующего кольца (3) установите гайку и крепёжный винт.
- Совместите переднюю решётку (1) и заднюю решётку (6), скрепите их фиксирующим кольцом (3), стяните фиксирующее кольцо (3), закрутив крепёжный предмет в отверстия защитных решёток вентилятора.
- Совместите переднюю решётку (1) и заднюю решётку (6), скрепите их фиксирующим кольцом (3), стяните фиксирующее кольцо (3), закрутив крепёжный предмет в отверстия защитных решёток вентилятора, сначала установите фиксирующее кольцо (3) на заднюю решётку (6) и слегка подтяните крепёжный винт. На фиксирующее кольцо (3) установите нижнюю часть передней решётки (1). Затем, прижимая нижнюю часть передней решётки (1) к фиксирующему кольцу (3), с обеих сторон сжимая обе решётки, установите решётку (1) под фиксирующее кольцо (3). Закрутите крепёжный винт (4).
- Вентилятор готов к работе.

#### ИСПОЛЬЗОВАНИЕ

Перед первым включением убедитесь, что напряжение в сети соответствует рабочему напряжению прибора.

- Вставьте вилку сетевого шнура в розетку, при этом прозвучит звуковой сигнал.
- **Примечание:** каждое нажатие кнопки управления (17, 22, 23, 24, 25), сопровождается звуковым сигналом.
- Нажмите кнопку (25) «ON/OFF», при этом прозвучит звуковой сигнал, загорится индикатор режимов воздушного потока (19) «SLEEP» (зелёного цвета), индикатор скорости вращения лопастей (21) «LOW» и вентилятор начнёт работать.
- Выбор скорости вращения лопастей осуществляется нажатием на верхнюю или нижнюю часть кнопки (24); о выбранной скорости вращения лопастей информируют световые индикаторы (21):
  - «LOW» – низкая скорость потока воздуха
  - «MID» – средняя скорость потока воздуха
  - «HIGH» – высокая скорость потока воздуха
- Для включения режима работы вентилятора с поворотом на 90° нажмите на кнопку (17) «OSC», при этом загорится индикатор (18).
- Для остановки режима вращения, повторно нажмите кнопку (17) «OSC», индикатор (18) погаснет.
- Выбор времени работы таймера автоматического отключения вентилятора, осуществляется кнопкой (22) «TIMER», при этом световые индикаторы (20) будут информировать об установленном времени. Вы можете установить время работы вентилятора от 0,5 часа до 7,5 часов (шаг установки – 1 час).
- Для выключения таймера, повторно нажмите кнопку (22) «TIMER» до тех пор, пока все индикаторы (20) не погаснут.
- Для выбора режима воздушного потока последовательно нажмите на кнопку (23) «SPEED». Возможна работа в трех режимах, режимы работы отображаются изменением цвета индикатора (19) «SLEEP»:
  - «NORMAL» – просто вентиляция, индикатор (19) «SLEEP» – светится красным цветом; скорость вращения лопастей зависит от выбранного режима кнопкой (24) и отображается индикаторами (21) «LOW, MID, HIGH».
  - «NATURE» – естественный ветер, индикатор (19) «SLEEP» – не светится; режим, имитирующий натуральный ветер, интенсивность воздушного потока, хаотично меняется: от легкого дуновения до сильного порыва.
  - «SLEEP» – стихающий ветер, индикатор (19) «SLEEP» – светится зелёным цветом; скорость воздушного потока циклически изменяется, непрерывно нарастая и стихая.
  - «NORMAL» – просто вентиляция, индикатор (19) «SLEEP» – светится красным цветом; скорость вращения лопастей зависит от выбранного режима кнопкой (30) и отображается индикаторами (21) «LOW, MID, HIGH» на панели управления (10).
- Выбор времени работы таймера автоматического отключения осуществляется последовательным нажатием на кнопку (27) «TIMER» на пульте ДУ (26), при этом световые индикаторы (20) на панели управления (10) будут информировать об установленной продолжительности времени работы. Вы можете установить продолжительность времени работы вентилятора от 0,5 часа до 7,5 часов (шаг установки – 0,5 часа). Для выключения таймера, повторно нажмите кнопку (27) «TIMER» до тех пор, пока все индикаторы (20) на панели управления (10) не погаснут.
- Для выключения вентилятора нажмите кнопку (28) «ON/OFF».

- «NATURE» – естественный ветер, индикатор (19) «SLEEP» – не светится; режим, имитирующий натуральный ветер, интенсивность воздушного потока, хаотично меняется: от легкого дуновения до сильного порыва.
- «SLEEP» – стихающий ветер, индикатор (19) «SLEEP» – светится зелёным цветом; скорость воздушного потока циклически изменяется, непрерывно нарастая и стихая.
- «NORMAL» – просто вентиляция, индикатор (19) «SLEEP» – светится красным цветом; скорость вращения лопастей зависит от выбранного режима кнопкой (30) и отображается индикаторами (21) «LOW, MID, HIGH» на панели управления (10).
- Выбор времени работы таймера автоматического отключения осуществляется последовательным нажатием на кнопку (27) «TIMER» на пульте ДУ (26), при этом световые индикаторы (20) на панели управления (10) будут информировать об установленной продолжительности времени работы. Вы можете установить продолжительность времени работы вентилятора от 0,5 часа до 7,5 часов (шаг установки – 0,5 часа). Для выключения таймера, повторно нажмите кнопку (27) «TIMER» до тех пор, пока все индикаторы (20) на панели управления (10) не погаснут.
- Для выключения вентилятора нажмите кнопку (28) «ON/OFF».

#### УХОД И ОБСЛУЖИВАНИЕ

- Перед чистой вентилятора выключите его, нажав на кнопку (25) «ON/OFF» на панели управления (10) или кнопку (28) «ON/OFF» пульта ДУ (26) и выньте вилку сетевого шнура из розетки.
- Запрещается использовать для чистки устройства абразивные чистящие средства и растворители.
- Протрите моторный блок (9) слегка влажной тканью, после чего вытрите насухо.
- Если необходимо почистить лопасти (4), открутите винт на ободке (3), снимите переднюю решетку (1), а затем протрите лопасти слегка влажной тканью.
- Установите переднюю решетку (1) и обод (3) на место.
- Решётки вентилятора можно почистить при помощи пылесоса, используя соответствующую насадку.
- Запрещается погружать моторный блок (9) вентилятора в воду или любые другие жидкости. Во избежание выхода вентилятора из строя и риска поражения электрическим током следите, чтобы никакая жидкость не попадала в моторный блок (9) вентилятора.

#### Хранение

- Отключите вентилятор от сети и произведите его чистку.
- При необходимости разберите вентилятор.
- Снимите обод (3), переднюю решетку (1), открутите фиксатор лопастей (2) поворачивая его по часовой стрелке, снимите лопасти (4), открутите гайку крепления задней решётки (5) и снимите решётку (6).
- Открутите фиксатор (11) и снимите моторный блок (9) с выдвижной штанги (12).
- Открутите 4 винта и снимите выдвижную штангу (12) с опор (15).
- Упакуйте вентилятор в заводскую упаковку и уберите на хранение в сухое прохладное место, недоступное для детей.

#### КОМПЛЕКТ ПОСТАВКИ

- Моторный блок вентилятора – 1 шт.
- Передняя решётка – 1 шт.
- Фиксирующее кольцо с винтом и гайкой – 1 шт.
- Фиксатор лопастей – 1 шт.
- Лопасти – 1 шт.
- Задняя решётка – 1 шт.
- Телескопическая штанга с фиксатором и декоративной накладкой – 1 шт.
- Опоры – 2 шт.
- Винт – 4 шт.
- Пульт дистанционного управления – 1 шт.
- Инструкция – 1 шт.

#### ТЕХНИЧЕСКИЕ ХАРАКТЕРИСТИКИ

Электродвигатель: 220-240 В ~ 50/60 Гц  
Максимальная мощность: 60 Вт  
Диаметр лопастей: 40 см (16")

Производитель оставляет за собой право изменять характеристики устройств без предварительного уведомления.

#### Срок службы вентилятора – 3 года



#### Изготовитель: АНДЕР ПРОДАКТС ГмбХ, Австрия

Адрес: Нойбаугюртель 38/7А, 1070 Вена, Австрия.  
Информация для связи –  
email: [anderproduct@gmail.com](mailto:anderproduct@gmail.com)

Информация об Импортёре указана на индивидуальной упаковке.  
Информация об авторизованных (уполномоченных) сервисных центрах указана в гарантийном талоне и на сайте [www.vitek.ru](http://www.vitek.ru)

Единая справочная служба: +7 (495) 921-07-70

Сделано в Китае



АУДИО-ВИДЕО И  
БЫТОВАЯ ТЕХНИКА

### VT-1948 BK

Stand fan

Вентилятор  
напольный

## Инструкция по эксплуатации

GB Manual instruction

2

RUS Инструкция по эксплуатации

4

[www.vitek.ru](http://www.vitek.ru)

### GB

A production date of the item is indicated in the serial number on the technical data plate. A serial number is an eleven-unit number, with the first four figures indicating the production date. For example, serial number 0606xxxxxx means that the item was manufactured in June (the sixth month) 2006.

### RUS

Дата производства изделия указана в серийном номере на табличке с техническими данными. Серийный номер представляет собой одиннадцатизначное число, первые четыре цифры которого обозначают дату производства. Например, серийный номер 0606xxxxxx означает, что изделие было произведено в июне (шестой месяц) 2006 года.



ЗАПРЕЩЕНО УТИЛИЗИРОВАТЬ  
С БЫТОВЫМ МУСОРОМ.  
ОБРАТИТЕСЬ НА СООТВЕТСТВУЮЩИЙ  
ПУНКТ ПЕРЕРАБОТКИ ЭЛЕКТРИЧЕСКОГО  
И ЭЛЕКТРОННОГО ОБОРУДОВАНИЯ.