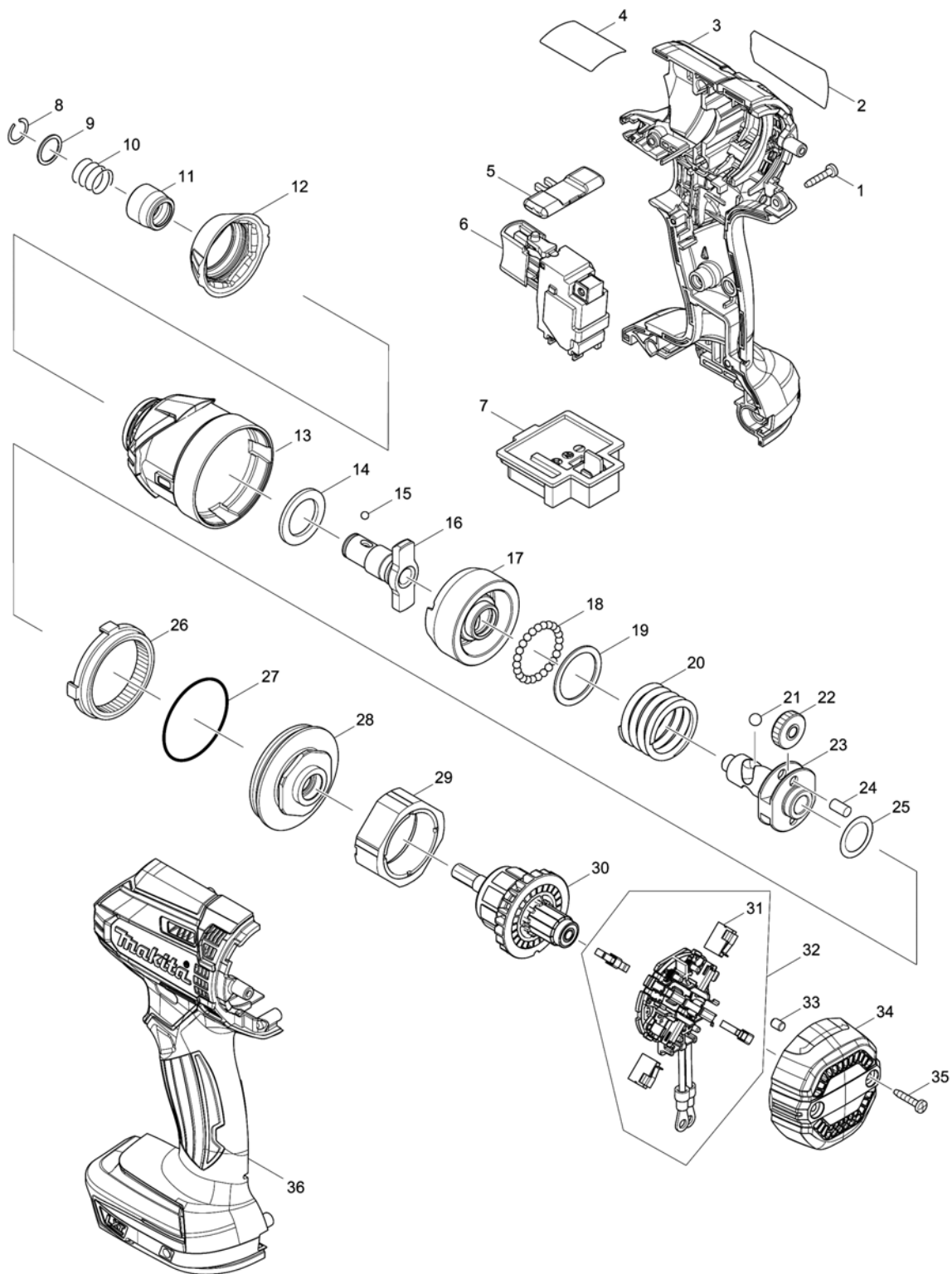


Model No.DTD152 CORDLESS IMPACT DRIVER



Model No.DTD152 CORDLESS IMPACT DRIVER

Item	Parts No.	Description	I/C	Qty	New/Old	Opt. 1	Opt. 2	Note
001	266429-2	TAPPING SCREW 3X16		8	*			
001-1	266130-9	TAPPING SCREW BIND PT 3X16	O	8				
002	851E29-7	DTD152 NAME PLATE		1				
003	183B63-4	HOUSING SET		1				
C10	263005-3	RUBBER PIN 6		2				
D10		INC. 36						
005	455053-8	F/R CHANGE LEVER		1				
006	632F26-6	SWITCH UNIT		1				
C10	620445-2	LED CIRCUIT		1				
C20	688164-6	LINE FILTER		1				
007	643852-2	TERMINAL		1				
008	231951-8	RING SPRING 11		1				
009	267085-1	FLAT WASHER 12		1				
010	233005-7	COMPRESSION SPRING 13		1				
011	326072-0	BIT SLEEVE		1				
012	424738-7	BUMPER		1				
013	143299-5	HAMMER CASE COMPLETE		1				
014	261151-6	NYLON WASHER 19		1				
015	216040-0	STEEL BALL 3.5		2				
016	326565-7	ANVIL M		1				
017	326564-9	HAMMER		1				
018	216040-0	STEEL BALL 3.5		24				
019	267175-0	FLAT WASHER 24		1				
020	234251-5	COMPRESSION SPRING 25		1				
021	216041-8	STEEL BALL 5.6		2				
022	227362-3	SPUR GEAR 22		2				
023	326562-3	SPINDLE		1				
024	256253-1	PIN 5		2				
025	253314-8	THIN WASHER 15		1				
026	227378-8	INTERNAL GEAR 51		1				
027	213507-9	O RING 40		1				
028	143298-7	BEARING BOX COMPLETE		1				
029	638396-5	YOKE UNIT		1	*			
029-1	632F93-1	YOKE UNIT	<	1				
030	619377-8	ARMATURE		1				
031	196854-2	CARBON BRUSH CB-448		2				
032	632F25-8	BRUSH HOLDER COMPLETE		1				
C10	688172-7	LINE FILTER		1				
C20	654037-5	INSULATED TERM. FT1.25-M3		2				
D10		INC. 31						
033	263032-0	RUBBER PIN 4		4				
034	456044-2	REAR COVER		1				

Please order the parts with part number.

Print Date 27/3/2020

Model No.DTD152 CORDLESS IMPACT DRIVER

Item	Parts No.	Description	I/C	Qty	New/Old	Opt. 1	Opt. 2	Note
035	266429-2	TAPPING SCREW 3X16		2	*			
035-1	266130-9	TAPPING SCREW BIND PT 3X16	O	2				
036	183B63-4	HOUSING SET		1				
C10	263005-3	RUBBER PIN 6		2				
D10		INC. 3						
A01	346317-0	HOOK		1				
A02	266622-8	+ TRUSS HEAD SCREW M4X12		1				
A03C	821550-0	CONNECTOR PLASTIC CASE (TYPE2)		1				
C10	453974-8	LATCH		4				
A03D	821550-0	CONNECTOR PLASTIC CASE (TYPE2)		1				
C10	453974-8	LATCH		4				
A04C	450128-8	BATTERY COVER		1				
A04D	450128-8	BATTERY COVER		1				
A05C	***DC18RC	DC18RC FAST CHARGER		1				
A05D	***DC18RC	DC18RC FAST CHARGER		1				
A06C	197265-4	BATTERY BL1840B SET		2	*			
A06D	197280-8	BATTERY BL1850B SET		2	*			
A06-1C	197265-4	BATTERY BL1840B SET	O	2				
A06-1D	197280-8	BATTERY BL1850B SET	O	2				
A07C	837670-0	INNER TRAY		1				
A07D	837670-0	INNER TRAY		1				
A08C	808J38-7	DTD152RMJ INDICATION LABEL		1	*			
A08D	808W01-8	DTD152RTJ INDICATION LABEL		1	*			
A08-1C	816N02-8	DTD152RMJ INDICATION LABEL	O	1				
A08-1D	816N07-8	DTD152RTJ INDICATION LABEL	O	1				
A09C	808J39-5	DTD152RMJ PLASTIC CASE LABEL		2	*			
A09D	808W05-0	DTD152RTJ PLASTIC CASE LABEL		2	*			
A09-1C	816N03-6	DTD152RMJ PLASTIC CASE LABEL	X	2				
A09-1D	816N08-6	DTD152RTJ PLASTIC CASE LABEL	X	2				
E01	654015-5	EARTH TERMINAL		1				
E02	654501-6	CONNECTOR P-1.25		1				

Please order the parts with part number.

Print Date 27/3/2020