

## ELECTRIC IMPACT DRILL

### ДРЕЛЬ УДАРНАЯ ЭЛЕКТРИЧЕСКАЯ

ID-550	26302
--------	-------

ID-650	26304
--------	-------

ID-750	26307
--------	-------



**IMPORTANT**  
ВНИМАНИЕ

Read this manual before use and retain for future reference.

Прочитайте данное руководство перед эксплуатацией устройства и сохраните его для дальнейшего использования.

The date of manufacture is indicated on the product.

Дата изготовления указана на изделии.

---

**CONTENT**


---

PROPER USAGE AND GENERAL INFORMATION.....	3
COMPLETENESS OF SET .....	3
SPECIFICATIONS .....	3
SAFETY WARNINGS .....	4
GENERAL SAFETY INSTRUCTIONS FOR ELECTRIC TOOLS.....	4
HANDLING INSTRUCTIONS .....	7
OPERATION.....	8
NOISE AND VIBRATION .....	10
MAINTENANCE.....	11
RECYCLING.....	12
TRANSPORTATION.....	12
STORAGE .....	12
LIFE TIME.....	12
WARRANTY OBLIGATIONS .....	12

## PROPER USAGE AND GENERAL INFORMATION

Electric drilling handheld machine with impact function (hereinafter referred to as "drill", "machine", "tool") is designed for drilling into different constructional materials, including metal, wood and its derivatives, plastics, etc., drilling holes in building materials and structures, such as brick and masonry, lightweight concrete, various types of tiles using drills with cylindrical or hexagonal shanks. It can also be used as a drive for various accessories - brushes, grinding plates, cutters, etc., having a cylindrical or hex shank.

The machine is designed for usage at an environment temperature from 0 °C to 40 °C, relative humidity not more than 80% and absence of direct exposure of atmospheric condensation and excessive air dustiness.

The machine is suitable only for private use and must be used in intermittent duty not more than 20 hours per month. It is recommended to use on-loading not more than a nominal, during 10-15 minutes and then to have a break for 20-30 minutes. This usage mode enables to complete domestic tasks effectively and prevents the tool from a premature coming out of order.

This manual contains the information and the requirements necessary and sufficient for a sure, effective and secure use of the tool.

Due to ongoing activities in order to improve the tool the manufacture reserves the right to make minor changes in its construction, not mentioned in this manual and not worsening its consumer and operational properties, effective and secure use.

## COMPLETENESS OF SET

The set contains:

- |  |       |
|--|-------|
| 1. Electric impact drill                 | 1 pc. |
| 2. Key for chuck                         | 1 pc. |
| 3. Side handle                           | 1 pc. |
| 4. Drilling depth gauge                  | 1 pc. |
| 5. Set of spare carbon brushes           | 1 pc. |
| 6. Instruction manual with warranty card | 1 pc. |

## SPECIFICATIONS





Table 1

Parameter	Value		
	26302	26304	26307
Power consumption, W	550	650	750
Adjustment of rotation speed	+	+	+
Number of gears	1	1	1
No load speed, rpm	0-2900	0-3000	0-3000
The range of diameters of shanks of tooling, mm	1,5-10	1,5-13	1,5-13
Maximum drilling diameter in wood, mm	20	25	25
Maximum drilling diameter in steel, mm	10	13	13
Maximum drilling diameter in concrete, mm	10	13	13
Reverse	+	+	+
Impact mode	+	+	+

Parameter	Value		
	26302	26304	26307
Impact rate, bpm	0-46400	0-48000	0-48000
Power cable length, m	3	3	3
Type of chuck	With key	With key	With key
Gear case material	Plastic	Plastic	Plastic
Voltage, V / Frequency, Hz	230/50	230/50	230/50
Degree of protection against penetration of objects and liquids	IP20	IP20	IP20
Sound pressure level ( $L_{pA}$ ), dB, max	96	98	93
Vibration level ( $a_v$ ), $m/c^2$ , max	17,2	18	18,5
Degree of protection against electric shock	II	II	II
Type of packaging	Colorbox	BMC	BMC
Net weight, kg	1,7	1,85	1,95
Gross weight, kg	2,0	3,4	3,4

## SAFETY WARNINGS

The following definitions indicate the degree of importance of each keyword. Read through the instructions and pay attention to these symbols.

	WARNING! Indicates a potentially hazardous situation which, if not avoided, could result in injury or equipment damage.
	Electric Shock Risk!
	Flammability!
	ATTENTION: Read the manual attentively in order to reduce the risk of injury.

## GENERAL SAFETY INSTRUCTIONS FOR ELECTRIC TOOLS



### WARNING!

Before starting work read all safety information and instructions. Non-observance to the safety rules and instructions may lead to electric shock, fire and/or severe injury.

### Keep all safety instructions for subsequent use

The term «power tool» refers to your electric (with cable) or battery power (wireless) tool in all the instructions below.

### Workplace safety

a) Keep the workplace clean and provide it with good light. Poor light or mess at workplace may lead to an accident.

- b) Do not use power tools if there is a danger of fire or explosion, for example, near flammable liquids, gas or dust. During work electric tools give up sparks, which can ignite dust or flammable vapors.
- c) While working with power tools do not keep close children or other people. A distraction may cause loss of control over the work.

### Electrical safety

- a) A cable plug of an electric tool must match a power outlet. Never modify an electrical cable plug. Do not use connecting adapter plugs, if there is a ground wire in the power cable of the electric tool. Usage of the original cable plug and a corresponding power outlet reduces the risk of electric shock.
- b) While working with electric tool avoid physical contact with grounded objects such as pipelines, radiators, electric stoves and refrigerators. The risk of electric shock increases if your body is grounded.
- c) Do not use electric tool in the rain or in a humid environment. Water entering into the electric tool increases the risk of electric shock.
- d) Handle electrical cable with care. Never use the cable for carrying electric tool or pulling its plug out of the receptacle. Do not expose electrical cable to high temperatures and lubricants; keep it away from sharp edges and moving parts of the tool. Damaged or entangled cable increases the risk of electric shock.
- e) While working with electric tool outdoors use an extension cable intended for outdoor use. Using the cable suitable for working outdoors reduces the risk of electric shock.
- f) While working with electric tool in a humid environment use a power supply equipped with a safety protective shutdown device. The usage of this device reduces the risk of electric shock.



#### ATTENTION!

It is recommended to use a safety shutdown device with actuation current not more than 30 mA.

### Personal safety

- a) While working with electric tools be careful, watch what you do and use common sense. Do not use electric tool if you are tired, as well as being under the influence of alcohol or drugs lowering the reaction and other remedies. The slightest negligence may cause serious injury while working with electric tools.
- b) While working use personal protective equipment. Always wear safety glasses. Timely using of protective equipment such as: dust mask, boots with non-slip sole, safety hat or noise protection headphones, significantly reduces the risk of injury.
- c) Do not allow unintended start. Before plugging in electric tool and/or connecting it to the battery lift or move it, be sure the switch is in the "off" position. Do not carry electric tool with the trigger switch pressed and do not plug the electric tool into a power outlet if the switch is set to "on". This may lead to an accident.
- d) Before turning on the electric tool remove from it all adjusting keys or spanners. An adjusting key or spanner left fixed on the rotating part of the electric tool can cause severe injury.
- e) Work in a steady posture. Always keep your balance and a steady posture. This will allow you not to lose control when working with electric tool in an unexpected situation.
- f) Dress properly. Do not wear loose clothes or jewelry while working. Make sure your hair, clothing or gloves are at a constant distance from the rotating parts of the tool. Loose clothes, jewelry or long hair can get into the rotating parts of the tool.
- g) If the electric tool is equipped with a dust collection and removal device, make sure this device is properly connected and used. The use of a dust removal device significantly reduces the risk of an accident due to a dusty working space.

### Use of electric tools and technical care

- a) Do not overload the electric tool. Use your tool for its intended purpose. The electric tool works safe and secure only if you keep to the parameters specified in its technical specifications.
- b) Do not use the electric tool if its switch cannot be set to the "on" or "off" position. Electric tool with a broken switch is dangerous and must be repaired.

- c) Unplug the electric tool from the power outlet and/or remove battery before adjusting, replacement of accessories or when storing electric tool. Such precautions reduce the risk of an accidentally turning on of the electric tool.
- d) Store unused electric tools out of the reach of children and do not let persons who are not familiar with electric tool or these instructions work with electric tools. Electric tools are dangerous in the hands of inexperienced users.
- e) Check an electric tool regularly. Check alignment accuracy and ease of movement of moving parts, integrity of parts and any other elements of the electric tool affecting its work. Do not use a broken electric tool until it is completely repaired. Most accidents are the result of insufficient maintenance of the electric tool.
- f) Watch out for sharpness and cleanness of cutting accessories. Sharp-edged accessories allow avoiding jamming and make work less tiring.
- g) Use electric tool and accessories in accordance with this manual and taking into account the working conditions and nature of future work. Misuse of the electric tool can create a hazardous situation.

## Maintenance

Your electric tool must be repaired only by qualified specialists using original spare parts. This will ensure safety and reliability of your electric tool in further use.

## Additional Safety Rules when working with Impact Drill

- Wear ear protectors. Noise exposure may cause hearing loss.
- Use auxiliary handles supplied with the tool, when working. Loss of tool control may cause serious injury.
- Hold electric tool for insulated handles when performing operations during which working tooling can touch the hidden wiring or its own cable. A contact with live wire may cause voltage on metal parts of electric tool, which creates danger of electric shock.
- Use clamps or other devices for fixing the workpiece installing them only on a fixed surface. If you hold the workpiece by hands, you can lose control over the tool or workpiece.
- Wear safety glasses or other eye protection. When drilling with an impact, material particles scatter in all directions. Scattering particles can damage the eyes. When performing operations during which dust appears, wear a protective mask or a respirator. When performing most operations it is recommended to wear noise headphones or other ear protection.
- When working always hold the tool firmly. It is allowed to work with a tool only holding it with both hands. It is recommended to use the auxiliary handle during each operation. One-hand tool management may lead to loss of control. Chiseling parts from hard materials such as reinforcing bars may be dangerous as well. Tighten the auxiliary handle safely before starting work.
- Continuous work with this electric tool during a long period of time is not allowed. Vibration produced during hammering may cause harm to your hands or feet. Use gloves for better anti-vibration protection and limit the effects of vibration taking frequent breaks in work.
- Do not attempt to repair the working tooling by yourself. The repairing must be carried out by a qualified technician. Chisels, drill bits, etc. which are restored incorrectly may cause injury or tool failure.
- Wear gloves when working with electric tool or when changing the tooling. Working tooling may become very hot during the work and cause burns to unprotected hands.
- Never lay the tool until the full stop of the tooling. Rotating chisel or drill bit may cause injury.
- Never hit with a hammer on jammed tooling trying to free it. Particles of the workpiece or metal shavings may bounce off and cause injury.
- Hold electrical cable away from the rotating working tool. Do not wrap the cable around any part of your body. Electrical cable wound on a rotating working tooling may cause loss of control of the tool and serious injury.

## Residual risks.

The following risks are typical when using electrical impact drills:

- injuries caused by touching hot or rotating parts of the tool;
- risk of pinching fingers when changing working tool;
- damage to health due to vibration appearing at work;

## HANDLING INSTRUCTIONS

General view of the tool is shown on picture 1.



- |                       |                                |
|-----------------------|--------------------------------|
| 1. Chuck              | 7. Chuck key holder            |
| 2. Mode switch        | 8. Switch key                  |
| 3. Housing            | 9. Rotation speed setting-ring |
| 4. Reverse switch     | 10. Side handle                |
| 5. Switch lock button | 11. Drilling depth gauge       |
| 6. Main handle        |                                |

Pic. 1

## Description

Electric handheld drill machine (drill) is a rotary machine consisting of electric drive and gearbox, on the output shaft of which the possibility of fixing the rig with the help of a three-cam self-centering chuck is provided. The actuator is an AC collector motor housed in a plastic housing. Engine control is carried out using the trigger switch with built-in motor speed control. It is possible to switch the direction of rotation of the spindle to use different tooling.

The machine is equipped with an impact function implemented by using two crowns, providing a reciprocating movement of the spindle during rotation. This feature increases the efficiency of the machine when drilling hard and brittle materials (brick, concrete, etc.).

The machine is equipped with a side handle that allows you to hold the tool with two hands, providing convenience when working.

## OPERATION



### ATTENTION!

Always disconnect the power cable from the electrical outlet before preparing for the operation, adjustment, maintenance of power tools.

### Installing the side handle



### ATTENTION!

Always use the additional handle supplied with the machine. Losing control of the machine can cause injury.



### ATTENTION!

Before work, always check the reliability of the side handle.

Turn side handle 10 (pic. 1) counterclockwise relatively to securing collar by 2..3 turns to loosen it.

Install the side handle on the neck of the machine body behind the chuck. In this case, the chuck 1 (pic. 1) is not an obstacle to the installation of the handle, if necessary, rotate the side handle another 1..2 turns.

Set the handle to a position that is convenient for operation and tighten the clamp by turning the handle clockwise.

### Installation/ withdrawal of the working tool



### ATTENTION!

When installing, removing, replacing the tooling, disconnect the power plug. Accidental switching on of the machine when changing accessories may cause significant injury.

Open the chuck by rotating its outer sleeve counterclockwise until the chuck's cams spread over a distance sufficient to install shank snap. If the chuck is tightened, use the key supplied with the machine.

Install shank snap into the chuck. Use tooling with round or hex shank. Never use a snap with an SDS-plus shank, designed for rotary hammers, this shank cannot be centered properly in the three-jaw chuck.

Close the chuck by turning the outer sleeve clockwise by hand. Make sure the cams converge evenly and center the tool shank. Tighten the chuck with the supplied key.



### ATTENTION!

In order to avoid damage to the engine of the machine and injury, do not tighten or open the drill chuck, turning on the engine while holding the outer sleeve of the chuck with the hand.

### Main connection



### ATTENTION!

Power tools should only be connected to single-phase AC power, the voltage of which corresponds to the voltage indicated on the rating plate located on the tool housing. If the rating plate indicates a voltage of 230V, then the power tool can also be switched on to a main with a voltage of 220 V.

When working outdoors use industrial extension cords intended for outdoor use. Do not use homemade extensions. When working outdoors connect power tools to the power circuit equipped with a differential automatic with a response current of not more than 30 mA, this will reduce the risk of electric shock.

When connecting ensure that the insulation of the electrical cable and the power plug of the machine is intact.



Make sure the machine's power switch is in the "off" position.

This power tool can be connected to power outlets that do not have a protective ground, since it has double insulation (protection class II).

### Spindle speed adjustment

Depending on the type of the tooling used, the type of material being processed and the nature of processing, you can choose the optimum spindle speed of the machine. Adjustment is carried out from the minimum to the maximum value (Section 4, Table 1) by changing the effort of pressing the key 8 (pic. 1) of the switch. You can change the speed when the engine is running, including under load. Key 8 of the switch can be locked in the "on" position by pressing the fixing button 5 (pic. 1). To unlock key 8, you need to click on it again.

The key stroke of the switch and, accordingly, the maximum spindle speed of the machine can be adjusted by using the limiter 9 (pic. 1). When the switch 8 is locked in the "on" position (pic. 1), the spindle speed of the machine can be adjusted by rotating the limiter 9 (pic. 1).



#### ATTENTION!

**Do not overload the machine operating at reduced speeds. Decreasing the engine rotor speed impairs the cooling of the machine.**

### Reversing spindle rotation

Spindle rotation direction can be changed from right to left and back if necessary, for example, when using left-handed drills or grinding tooling. Switching the direction of rotation is carried out using switch 4 (pic. 1), located above the key switch. Switching must be performed only after the engine has completely stopped and when the switch key 8 (pic. 1) is in the "off" position.



#### ATTENTION!

**It is not recommended to use a drilling machine for screwing and unscrewing screws as long work at low rotation may lead to overheating of the engine.**

### Enable impact mode

To increase the drilling efficiency of hard and brittle materials such as bricks, concrete, etc. the machine is equipped with an impact function. To activate the impact function, move the mode switch 2 (pic. 1) to the position marked with:



Switching can be done regardless of whether the engine is on or not. To deactivate the impact function move the switch to the position marked:



Please note that it is necessary to apply force of about 200H (20kgs) to the machine in the direction of supply to work effectively in impact mode when drilling brick or concrete. For efficient drilling of holes with a diameter of more than 10 mm in concrete foundations, it is recommended to use rotary hammers with appropriate accessories.

### Using of the drilling depth gauge

When drilling holes to a given depth or a series of holes to the same depth it is convenient to use the supplied drilling depth gauge. Install the gauge 11 (pic. 1) into the hole of the bracket of the side handle, previously loosening the mount of the side handle. Set the gauge overhang so that the difference of the radius between the gauge and the drill installed in the chuck corresponded to the required hole depth. Lock the gauge by tightening the side handle mounting collar by turning the handle clockwise.

### Before getting started, you must:

- inspect the tool and make sure it is complete and there is no external damage;
- make sure that the power switch is working correctly;
- after transportation in winter conditions before switching on, keep the machine at room temperature until the condensate is completely dry.

### Getting started, you must:

- install the side handle in a comfortable work position;
  - check the reliability of fixing of the tooling in chuck;
  - make sure that the power switch is in the "Off" position, and then connect the machine to the power supply.
- To turn on the machine, it is necessary to press the switch key 8 (pic. 1). If necessary, the key of the power switch 8 (pic. 1) can be locked in the "on" position, for this, while pressing the 8 key, press the button 5 (pic. 1) and the key will be fixed. To turn off the machine, press the 8 key again.

Recommendation: Try out the operation of fixing the power key before connecting the machine to the power supply.

### While working:

- do not overload the machine, watch for the engine housing heat up, take breaks in time;
- do not allow mechanical damage, shock, falling of the tool on hard surfaces, etc.;
- protect the machine from exposure to intense heat sources or chemically active substances, as well as from the ingress of liquids and foreign solid objects inside the machine;
- ensure effective removal of processing products from the cutting zone;
- do not block or obstruct the ventilation openings in the machine housing;
- turn off the machine using the switch before connecting / disconnecting from the power supply.

### At the end of work:

- disconnect the tool from the mains, making sure the switch is in the "off" position;
- clean the machine and accessories from dirt.

### Recommendations for use

Before you start processing a part, you must secure it, especially if it has light weight.

When drilling metal it is recommended to use lubricating and cooling fluids in the cutting zone.

When drilling holes of significant diameter, it is recommended to first drill a hole of a smaller diameter, and then drill it to the required.

When drilling through holes in metals or plastics, be careful when the drill leaves the material – tangible jerk possible, reduce feed force.

Do not overheat external machine parts during long work. If there is an excessive heat, stop working, let the tool work without load for 1...2 minutes for engine cooling, turn off the engine and take a break until the gear housing becomes cool.

Do not allow the machine work when there is extraneous or uncharacteristic noise in the engine or gear. When there are noises turn off the tool and contact an authorized service.

Do not operate the machine when visible flashes appear in the engine ventilation openings, stop working and contact the service center for diagnostics and, possibly, replacement of carbon brushes.

## NOISE AND VIBRATION

Noise and vibration characteristics are given in the table №1.

However, if the Impact Drill will be used for other work with the use of working tools, not provided by the manufacturer, or maintenance will not meet the requirements, then the vibration level may be different.



#### ATTENTION!

Always use personal ear protection.

## MAINTENANCE



### ATTENTION!

Before starting maintenance and adjustment of the Impact Drill unplug the power cord from the power outlet. To ensure quality and safe functioning keep your tool and vents clean at all times.

- If you notice a decrease in the frequency of rotation of equipment or extraneous noise during operation, it is necessary to hand over the device to the service center for its diagnosis and repair.
- Working tool maintenance. The use of the worn working tool reduces the effectiveness of the work and may result in motor or gearbox failure, it is therefore necessary to periodically replace worn out tooling as soon as this becomes necessary.
- Electric motor care. You must be especially careful with the electric motor, avoid getting liquids and foreign objects inside the case. Keep your ventilation holes clean, blow them regularly with compressed air or clean them with a brush. When noticeable sparks appear, contact an authorized service center for diagnostics and possibly replacement of carbon brushes.

To prevent dust and grease leakage this machine has a hermetic design. Therefore, the tool can be used for a long time and you have no need to replace or add grease. After initial commissioning change lubrication every 6 months of operation. To replace the lubricant, contact the service center.

In case of any damage to the power cord turn off the Impact Drill immediately, carefully, without touching the places of damage, disconnect it from the mains.



### ATTENTION!

The tool uses power cord with mounting type Y: for security it must be replaced by authorized repair shop personnel.

## Possible faults

Fault	Probable cause	Problem solution
The tool does not turn on.	Broken power cord or mounting wire, power cord malfunction.	Call the service center.
	Faulty switch.	Call the service center.
	Brush wear.	Call the service center.
Circular fire on the collector.	Fault in the armature winding.	Call the service center.
	Wearout / "hang" of brushes.	Call the service center.
Increased noise in the gear.	Wearout / breakage of the mechanism parts.	Call the service center.
When working smoke or smell of burning insulation is generated from the vent.	Interturn closure of armature or stator windings.	Call the service center.
	Malfunction of the electrical part of the instrument.	Call the service center.
Increased machine vibration.	Worn / broken gears or bearings.	Call the service center.
	Faulty or improperly installed tooling.	Replace or reinstall a tooling.

---

## RECYCLING

---

A tool, developed a designated service life, must be recycled according the rules established by environmental and other laws of the country, where the tool is operated.

---

## TRANSPORTATION

---

During the transportation direct exposure of precipitation, direct sunlight, heat and shock is not allowed. Transportation should be carried out only in the original packaging at temperature from - 20 °C to + 40 °C.

---

## STORAGE

---

During the assigned service life, store the machine in a dry heated room. Recommended storage temperature is from 0 °C to +40 °C. Store the tool in the original packaging.

Before placing the drill in storage remove the working tool.

---

## LIFE TIME

---

Average product life time is 5 years if the customer follows the rules of operation.

---

## WARRANTY OBLIGATIONS

---

The product is covered by the manufacturer's warranty.

The warranty period is specified in the warranty card and calculated from the date of sale. Terms of warranty service are given in the warranty card.

The Impact Drill conforms to the specifications if the following directives and harmonized standards:

EC Council Directive 2006/42/EC

2014/30/EU

2011/65/EU

EN 60745-1

EN 60745-2-1

EN 55014-1

EN 55014-2

EN 50581

EN 61000-3-2

EN 61000-3-3

Made in PRC.



**СОДЕРЖАНИЕ**

НАЗНАЧЕНИЕ И ОБЩАЯ ИНФОРМАЦИЯ .....	14
КОМПЛЕКТНОСТЬ .....	14
ТЕХНИЧЕСКИЕ ХАРАКТЕРИСТИКИ .....	14
СИМВОЛЫ БЕЗОПАСНОСТИ .....	15
ОБЩИЕ ПРАВИЛА БЕЗОПАСНОСТИ ПРИ РАБОТЕ С ЭЛЕКТРОИНСТРУМЕНТАМИ.....	15
УСТРОЙСТВО И ПРИНЦИП РАБОТЫ .....	18
ЭКСПЛУАТАЦИЯ .....	19
ШУМ И ВИБРАЦИЯ.....	22
ОБСЛУЖИВАНИЕ.....	22
УТИЛИЗАЦИЯ .....	24
ТРАНСПОРТИРОВКА.....	24
ХРАНЕНИЕ .....	24
СРОК СЛУЖБЫ.....	24
ГАРАНТИЙНЫЕ ОБЯЗАТЕЛЬСТВА .....	24
ИМПОРТЕР .....	24

## НАЗНАЧЕНИЕ И ОБЩАЯ ИНФОРМАЦИЯ

Машина сверлильная электрическая ручная с ударной функцией (далее по тексту «дрель», «машина», «инструмент») предназначена для сверления отверстий в различных конструкционных материалах, в том числе в металлах, древесине и ее производных, пластиках и т.п., сверления отверстий в строительных материалах и конструкциях, таких как кирпич и кладка из него, легкие бетоны, различные виды облицовочной плитки, с использованием сверл, имеющих цилиндрические или шестигранные хвостовики. А также может использоваться в качестве привода для различной оснастки (щетки, шлифовальные тарелки, шарошки и т.п.), имеющей цилиндрический или шестигранный хвостовик.

Машина предназначена для эксплуатации при температуре окружающей среды от 0 °С до 40 °С, относительной влажности воздуха не более 80%, при отсутствии прямого воздействия атмосферных осадков и чрезмерной запыленности воздуха.

Машина относится к бытовому классу инструмента и должна эксплуатироваться в повторно-кратковременном режиме с наработкой до 20 часов в месяц. Рекомендуется эксплуатация с нагрузкой, не превышающей номинальной, в течение 10-15 минут и последующим перерывом 20-30 минут. Такой режим эксплуатации позволяет эффективно выполнять все задачи, возникающие в быту, и предохраняет инструмент от преждевременного выхода из строя.

Настоящее руководство содержит сведения и требования, необходимые и достаточные для надежной, эффективной и безопасной эксплуатации инструмента.

В связи с постоянной деятельностью по совершенствованию инструмента изготовитель оставляет за собой право вносить в его конструкцию незначительные изменения, не отраженные в настоящем руководстве и не ухудшающие его потребительские и эксплуатационные свойства, безопасность и эффективность работы.

## КОМПЛЕКТНОСТЬ

В комплект поставки входит:

- |   |       |
|---|-------|
| 1. Дрель электрическая ударная                    | 1 шт. |
| 2. Ключ для патрона                               | 1 шт. |
| 3. Рукоятка боковая                               | 1 шт. |
| 4. Ограничитель глубины сверления                 | 1 шт. |
| 5. Комплект запасных угольных щеток               | 1 шт. |
| 6. Инструкция по эксплуатации и гарантийный талон | 1 шт. |

## ТЕХНИЧЕСКИЕ ХАРАКТЕРИСТИКИ

Таблица 1

Параметр	Значение		
	26302	26304	26307
Потребляемая мощность, Вт	550	650	750
Наличие регулировки частоты вращения	+	+	+
Количество скоростей	1	1	1
Частота вращения патрона, мин <sup>-1</sup>	0-2900	0-3000	0-3000
Диапазон диаметров хвостовиков, устанавливаемых в патрон, мм	1,5-10	1,5-13	1,5-13
Максимальный диаметр сверления в древесине, мм	20	25	25
Максимальный диаметр сверления в стали, мм	10	13	13
Максимальный диаметр сверления в бетоне, мм	10	13	13

Параметр	Значение		
	26302	26304	26307
Наличие реверса	+	+	+
Наличие ударного режима	+	+	+
Частота ударов, мин <sup>-1</sup>	0-46400	0-48000	0-48000
Длина кабеля питания, м	3	3	3
Тип патрона	С ключом	С ключом	С ключом
Материал корпуса редуктора	Пластик	Пластик	Пластик
Напряжение питания, В / Частота, Гц	230 / 50	230 / 50	230 / 50
Степень защиты от проникновения предметов и жидкости	IP20	IP20	IP20
Уровень звукового давления (L <sub>рА</sub> ), дБ, макс.	96	98	93
Уровень вибраций (a <sub>н</sub> ), м/с <sup>2</sup> , макс.	17,2	18	18,5
Степень защиты от поражения электрическим током	II	II	II
Тип упаковки	Коробка	Кейс	Кейс
Масса изделия нетто, кг	1,7	1,85	1,95
Масса изделия брутто, кг	2,0	3,4	3,4

### СИМВОЛЫ БЕЗОПАСНОСТИ

Следующие определения указывают на степень важности каждого ключевого слова. Прочтите руководство по эксплуатации и обратите внимание на данные символы.

	<b>ВНИМАНИЕ!</b> Означает потенциально опасную ситуацию, которая может привести к получению травмы или порче оборудования.
	Риск поражения электрическим током!
	Огнеопасность!
	<b>ВНИМАНИЕ!</b> Внимательно прочтите руководство по эксплуатации для снижения риска получения травмы.

### ОБЩИЕ ПРАВИЛА БЕЗОПАСНОСТИ ПРИ РАБОТЕ С ЭЛЕКТРОИНСТРУМЕНТАМИ

**ВНИМАНИЕ!**  
 Перед началом работы внимательно прочтите все правила безопасности и инструкции. Несоблюдение всех перечисленных ниже правил безопасности и инструкций может привести к поражению электрическим током, возникновению пожара и/или получению тяжелой травмы.

### Сохраните все правила безопасности и инструкции для последующего использования

Термин «Электроинструмент» во всех приведенных ниже указаниях относится к вашему сетевому (с кабелем) или аккумуляторному (беспроводному) электроинструменту.

## Безопасность рабочего места

- а) Содержите рабочее место в чистоте и обеспечьте хорошее освещение. Плохое освещение или беспорядок на рабочем месте может привести к несчастному случаю.
- б) Не используйте электроинструменты, если есть опасность возгорания или взрыва, например, вблизи легко воспламеняющихся жидкостей, газов или пыли. В процессе работы электроинструменты создают искровые разряды, которые могут воспламенить пыль или горючие пары.
- в) Во время работы с электроинструментом не подпускайте близко детей или посторонних лиц. Отвлечение внимания может вызвать у вас потерю контроля над рабочим процессом.

## Электробезопасность

- а) Вилка кабеля электроинструмента должна соответствовать штепсельной розетке. Ни в коем случае не видоизменяйте вилку электрического кабеля. Не используйте соединительные штепсели-переходники, если в силовом кабеле электроинструмента есть провод заземления. Использование оригинальной вилки кабеля и соответствующей ей штепсельной розетки уменьшает риск поражения электрическим током.
- б) Во время работы с электроинструментом избегайте физического контакта с заземленными объектами, такими как трубопроводы, радиаторы отопления, электроплиты и холодильники. Риск поражения электрическим током увеличивается, если ваше тело заземлено.
- в) Не используйте электроинструмент под дождем или во влажной среде. Попадание воды в электроинструмент увеличивает риск поражения электрическим током.
- г) Бережно обращайтесь с электрическим кабелем. Ни в коем случае не используйте кабель для переноски электроинструмента или для вытягивания его вилки из штепсельной розетки. Не подвергайте электрический кабель воздействию высоких температур и смазочных веществ; держите его в стороне от острых кромок и движущихся частей инструмента. Поврежденный или запутанный кабель увеличивает риск поражения электрическим током.
- д) При работе с электроинструментом на открытом воздухе используйте удлинительный кабель, предназначенный для наружных работ. Использование кабеля, пригодного для работы на открытом воздухе, снижает риск поражения электрическим током.
- е) При необходимости работы с электроинструментом во влажной среде используйте источник питания, оборудованный устройством защитного отключения (УЗО). Использование УЗО снижает риск поражения электрическим током.



### ВНИМАНИЕ!

Рекомендуется использование устройства защитного отключения (УЗО) с током срабатывания не более 30 мА.

## Личная безопасность

- а) При работе с электроинструментами будьте внимательны, следите за тем, что вы делаете, и руководствуйтесь здравым смыслом. Не используйте электроинструмент, если вы устали, а также находясь под действием алкоголя или понижающих реакцию лекарственных препаратов и других средств. Малейшая неосторожность при работе с электроинструментами может привести к серьезной травме.
- б) При работе используйте средства индивидуальной защиты. Всегда надевайте защитные очки. Своевременное использование защитного снаряжения, а именно: пылезащитной маски, ботинок на нескользящей подошве, защитного шлема или противошумовых наушников – значительно снизит риск получения травмы.
- в) Не допускайте непреднамеренного запуска. Перед тем как подключить электроинструмент к сети и/или аккумулятору, поднять или перенести его, убедитесь, что выключатель находится в положении «Выключено». Не переносите электроинструмент с нажатым курковым выключателем и не подключайте к сетевой розетке электроинструмент, выключатель которого установлен в положение «Включено», это может привести к несчастному случаю.



- г) Перед включением электроинструмента снимите с него все регулировочные или гаечные ключи. Регулировочный или гаечный ключ, оставленный закрепленным на вращающейся части электроинструмента, может стать причиной тяжелой травмы.
- д) Работайте в устойчивой позе. Всегда сохраняйте равновесие и устойчивую позу. Это позволит вам не потерять контроль при работе с электроинструментом в непредвиденной ситуации.
- е) Одевайтесь соответствующим образом. Во время работы не надевайте свободную одежду или украшения. Следите за тем, чтобы ваши волосы, одежда или перчатки находились в постоянном отдалении от движущихся частей инструмента. Свободная одежда, украшения или длинные волосы могут попасть в движущиеся части инструмента.
- ж) Если электроинструмент снабжен устройством сбора и удаления пыли, убедитесь, что данное устройство подключено и используется надлежащим образом. Использование устройства пылеудаления значительно снижает риск возникновения несчастного случая, связанного с запыленностью рабочего пространства.

## Использование электроинструментов и технический уход

- а) Не перегружайте электроинструмент. Используйте ваш инструмент по назначению. Электроинструмент работает надежно и безопасно только при соблюдении параметров, указанных в его технических характеристиках.
- б) Не используйте электроинструмент, если его выключатель не устанавливается в положение включения или выключения. Электроинструмент с неисправным выключателем представляет опасность и подлежит ремонту.
- в) Отключайте электроинструмент от сетевой розетки и/или извлекайте аккумулятор перед регулированием, заменой принадлежностей или при хранении электроинструмента. Такие меры предосторожности снижают риск случайного включения электроинструмента.
- г) Храните неиспользуемые электроинструменты в недоступном для детей месте и не позволяйте лицам, не знакомым с электроинструментом или данными инструкциями, работать с электроинструментом. Электроинструменты представляют опасность в руках неопытных пользователей.
- д) Регулярно контролируйте исправность электроинструмента. Проверяйте точность совмещения и легкость перемещения подвижных частей, целостность деталей и любых других элементов электроинструмента, воздействующих на его работу. Не используйте неисправный электроинструмент, пока он не будет полностью отремонтирован. Большинство несчастных случаев являются следствием недостаточного технического ухода за электроинструментом.
- е) Следите за остротой заточки и чистой режущей принадлежностей. Принадлежности с острыми кромками позволяют избежать заклинивания и делают работу менее утомительной.
- ж) Используйте электроинструмент, аксессуары и насадки в соответствии с данным Руководством и с учетом рабочих условий и характера будущей работы. Использование электроинструмента не по назначению может создать опасную ситуацию.

## Техническое обслуживание

Ремонт вашего электроинструмента должен производиться только квалифицированными специалистами с использованием оригинальных запасных частей. Это обеспечит безопасность и надежность электроинструмента в дальнейшей эксплуатации.

## Дополнительные меры безопасности для ручных сверлильных машин

- а) При выполнении работ, при которых рабочий инструмент может задеть скрытую электропроводку, держите электрическую машину за изолированные рукоятки. Контакт с находящейся под напряжением проводкой может привести к поражению электрическим током и пожару.
- б) Применяйте соответствующие металлоискатели для нахождения скрытых коммуникаций или обращайтесь за справкой в местное предприятие коммунального обслуживания. Повреждение скрытого газопровода может привести к взрыву. Повреждение водопровода ведет к нанесению материального ущерба и может вызвать поражение электротоком.
- в) Держите шнур питания в стороне от вращающейся оснастки. Если вы потеряете контроль над электрической машиной, то шнур питания может быть перерезан или захвачен вращающейся оснасткой.

- г) При заклинивании рабочего инструмента немедленно выключить электрическую машину. Машина реагирует резким толчком на неожиданное заклинивание сверла.
- д) Следует использовать поставляемые с изделием дополнительные рукоятки. Потеря контроля над машиной может привести к травме.
- е) Крепление заготовки. Заготовка, установленная в зажимное приспособление или в тиски, удерживается более надежно, чем в вашей руке.
- ж) Только после полной остановки машины ее можно выпускать из рук.
- з) Следите за исправным состоянием двигателя. В случае отказа, появления подозрительных запахов, характерных для горелой изоляции, сильного шума, стука, искр, следует немедленно выключить машину и обратиться в сервисный центр.
- и) Перевозите машину в фирменной упаковке. Перед упаковкой снимите рабочий инструмент, сверните и зафиксируйте шнур.

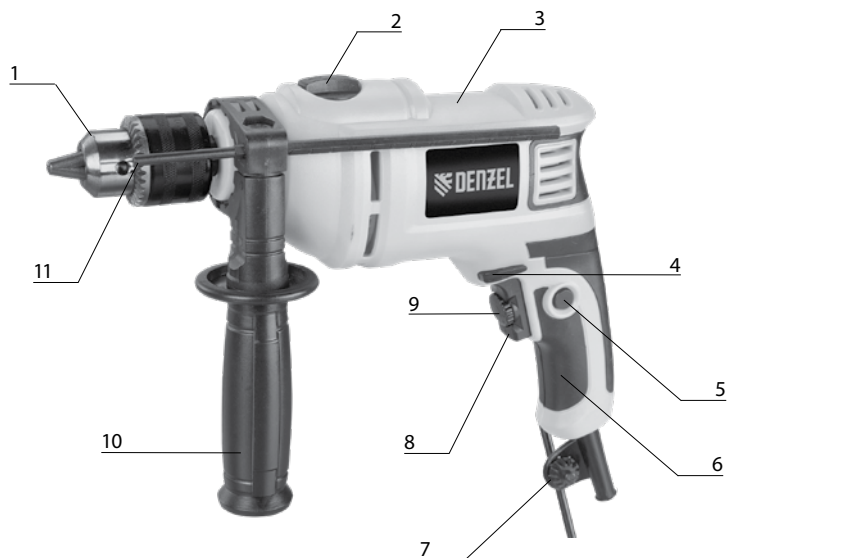
## Остаточные риски

Следующие риски являются характерными при использовании сверлильных машин:

- Травмы в результате касания горячих или вращающихся частей инструмента.
- Риск защемления пальцев при смене рабочей оснастки.
- Ущерб здоровью в результате воздействия вибрации, возникающей при работе.

## УСТРОЙСТВО И ПРИНЦИП РАБОТЫ

Общий вид машины представлен на рисунке 1.



- |                                       |  |
|---------------------------------------|--|
| 1. Патрон                             | 7. Держатель ключа патрона               |
| 2. Рукоятка переключения режимов      | 8. Клавиша выключателя                   |
| 3. Корпус                             | 9. Ограничитель хода клавиши выключателя |
| 4. Переключатель направления вращения | 10. Рукоятка боковая                     |
| 5. Кнопка фиксации выключателя        | 11. Ограничитель глубины сверления       |
| 6. Рукоятка основная                  |  |

Рис. 1

## Описание

Машина сверлильная электрическая ручная (дрель) представляет собой машину вращательного действия, состоящую из электропривода и редуктора, на выходном валу которого предусмотрена возможность закрепления оснастки с помощью трехкулачкового самоцентрирующегося патрона. Электроприводом служит коллекторный двигатель переменного тока, размещенный в пластмассовом корпусе. Управление двигателем осуществляется с помощью куркового выключателя с встроенным регулятором частоты вращения ротора двигателя. Имеется возможность переключения направления вращения шпинделя для использования различной оснастки.

Машина снабжена ударной функцией, реализованной с помощью двух коронок, обеспечивающих возвратно-поступательное движение шпинделя при вращении. Данная функция повышает эффективность машины при сверлении твердых и хрупких материалов (кирпич, бетон и т.п.).

Машина оборудована боковой рукояткой, позволяющей комфортно удерживать инструмент двумя руками, обеспечивая удобство при работе.

## ЭКСПЛУАТАЦИЯ



### ВНИМАНИЕ!

Перед работой по подготовке к эксплуатации, настройке, техническому обслуживанию электроинструмента всегда отключайте питающий кабель от электросети.

### Установка боковой рукоятки



### ВНИМАНИЕ!

Следует всегда использовать поставляемую с машиной дополнительную рукоятку. Потеря контроля над машиной может привести к травме.



### ВНИМАНИЕ!

Перед работой всегда проверяйте надежность крепления боковой рукоятки.

Поверните боковую рукоятку 10 (рис. 1) против часовой стрелки относительно крепящего хомута на 2...3 оборота для его ослабления.

Установите боковую рукоятку на шейку корпуса машины за патроном. При этом патрон 1 (рис. 1) не является препятствием для установки рукоятки, при необходимости поверните боковую рукоятку еще на 1...2 оборота.

Установите рукоятку в удобное для работы положение и затяните хомут крепления, вращая рукоятку по часовой стрелке.

### Установка/снятие оснастки.



### ВНИМАНИЕ!

При установке, снятии, замене оснастки отключите штепсельную вилку от сети питания. Случайное включение машины при смене оснастки может привести к значительной травме.

Откройте патрон, вращая его наружную муфту против часовой стрелки до тех пор, пока кулачки патрона не разойдутся на расстояние, достаточное для установки хвостовика оснастки. Если патрон затянут, воспользуйтесь ключом, входящим в комплект поставки.

Установите хвостовик оснастки в патрон. Используйте оснастку с круглым или шестигранным хвостовиком. Никогда не используйте оснастку с хвостовиком SDS-plus, предназначенную для перфораторов, такой хвостовик не может быть центрирован в трехкулачковом патроне должным образом.

Закройте патрон, от руки вращая наружную муфту по часовой стрелке. Убедитесь, что кулачки сходятся равномерно и центрируют хвостовик оснастки. Затяните патрон при помощи ключа, входящего в комплект.



### ВНИМАНИЕ!

Во избежание выхода из строя двигателя машины и получения травм запрещается затягивать или открывать патрон дрели, включая двигатель и удерживая при этом рукой внешнюю муфту патрона.

## Подключение к сети



### ВНИМАНИЕ!

Электроинструмент следует подключать только к однофазной сети переменного тока, напряжение которой соответствует напряжению, указанному на табличке характеристик, размещенной на корпусе инструмента. Если на табличке характеристик указано напряжение 230 В, то электроинструмент также можно включать в сеть напряжением 220 В.

При работе на улице используйте удлинители промышленного изготовления, предназначенные для использования вне помещений. Не используйте самодельные удлинители. При работе вне помещений подключайте электроинструмент к цепи питания, снабженной дифференциальным автоматом с током срабатывания не более 30 мА, это снизит вероятность удара электрическим током.

При подключении убедитесь в целостности изоляции электрического кабеля и сетевой вилки машины. Убедитесь, что выключатель питания машины находится в положении «Отключено».

Данный электроинструмент можно подключать к розеткам, не имеющим защитного заземления, поскольку он имеет двойную изоляцию (класс защиты II).

## Регулировка частоты вращения шпинделя

В зависимости от вида используемой оснастки, вида обрабатываемого материала и характера обработки можно выбрать оптимальную частоту вращения шпинделя машины. Регулировка осуществляется от минимального до максимального значения (п. 4 табл. 1) путем изменения усилия нажатия на клавишу 8 (рис. 1) выключателя. Изменять частоту вращения можно при работающем двигателе, в том числе под нагрузкой. Клавиша 8 выключателя может быть зафиксирована в положении «Включено» путем нажатия кнопки фиксации 5 (рис. 1). Для разблокировки клавиши 8 необходимо нажать на нее еще раз.

Ход клавиши выключателя и, соответственно, максимальную частоту вращения шпинделя машины можно регулировать с помощью ограничителя 9 (рис. 1). При зафиксированной во включенном положении клавише выключателя 8 (рис. 1) частоту вращения шпинделя машины можно регулировать, вращая ограничитель 9 (рис. 1)



### ВНИМАНИЕ!

Не перегружайте машину, работающую на пониженных оборотах. При снижении частоты вращения ротора двигателя ухудшается охлаждение машины.

## Изменение направления вращения шпинделя

При необходимости, например, при использовании левосторонних сверл или шлифовальной оснастки, направление вращения шпинделя можно поменять с правостороннего на левостороннее и обратно. Переключение направления вращения осуществляется с помощью переключателя 4 (рис. 1), расположенного над клавишей выключателя. Переключение необходимо выполнять только после полной остановки двигателя при условии, что клавиша выключателя 8 (рис. 1) находится в положении «Выключено».



## ВНИМАНИЕ!

Не рекомендуется использовать сверильную машину для завинчивания и вывинчивания винтов и шурупов, так как длительная работа на пониженных оборотах может привести к перегреву двигателя.

## Включение ударного режима

Для увеличения эффективности сверления твердых и хрупких материалов, таких как кирпич, бетон и т.п., машина снабжена ударной функцией. Для включения ударной функции поверните переключатель режима 2 (рис. 1) в положение, отмеченное знаком:



Переключение можно производить вне зависимости от того, включен двигатель или нет. Для отключения ударной функции переведите переключатель в положение, отмеченное знаком:



Обратите внимание, что для эффективной работы в ударном режиме при сверлении кирпичных или бетонных оснований необходимо прикладывать к машине усилие порядка 200Н (20кгс) в направлении подачи. Для эффективного сверления отверстий диаметром более 10 мм в бетонных основаниях рекомендуется использовать перфораторы с соответствующей оснасткой.

## Использование ограничителя глубины сверления

При сверлении отверстий на заданную глубину или ряда отверстий на одинаковую глубину удобно использовать входящий в комплект ограничитель глубины сверления. Установите ограничитель 11 (рис. 1) в отверстие кронштейна боковой рукоятки, предварительно ослабив крепление боковой рукоятки. Установите вылет ограничителя таким образом, чтобы разность вылетов ограничителя и установленного в патрон сверла соответствовала требуемой глубине отверстия. Зафиксируйте ограничитель, затянув хомут крепления боковой рукоятки вращением рукоятки по часовой стрелке.

## Перед началом эксплуатации необходимо:

- осмотреть машину и убедиться в ее комплектности и отсутствии внешних повреждений;
- убедиться в корректности работы выключателя питания;
- после транспортировки в зимних условиях перед включением выдержать машину при комнатной температуре до полного высыхания конденсата.

## Приступая к работе, следует:

- установить боковую рукоятку в удобное для работы положение;
- проверить надежность фиксации оснастки в патроне;
- убедиться в том, что клавиша выключателя питания находится в положении «Выключено», после чего подключить машину к сети питания.

Для включения машины необходимо нажать клавишу выключателя 8 (рис. 1). При необходимости клавиша выключателя питания 8 (рис. 1) может быть зафиксирована в положении «Включено», для этого при нажатой клавише 8 нажмите кнопку 5 (рис. 1), и клавиша будет зафиксирована. Для отключения машины повторно нажмите клавишу 8.

Рекомендация: проверьте работу механизма фиксации клавиши включения до подключения машины к сети питания.

## Во время работы:

- не перегружайте машину, следите за нагревом корпуса двигателя, своевременно делайте перерывы в работе;
- не допускайте механических повреждений, ударов, падения машины на твердые поверхности и т.п.;
- оберегайте машину от воздействия интенсивных источников тепла или химически активных веществ, а также от попадания жидкостей и посторонних твердых предметов внутрь машины;
- обеспечьте эффективный отвод продуктов обработки из зоны резания;
- не перекрывайте и не загораживайте вентиляционные отверстия в корпусе машины;
- выключайте машину с помощью выключателя перед подключением/отключением от сети электропитания.

## По окончании работы:

- отключите машину от электросети, убедившись, что выключатель находится в положении «Выключено»;
- очистите машину и ее дополнительные принадлежности от грязи.

## Рекомендации по эксплуатации

Перед тем как начать обрабатывать деталь, необходимо надежно закрепить ее, особенно если она имеет малый вес.

При сверлении металла рекомендуется применять смазывающе-охлаждающие жидкости в зоне резания.

При сверлении отверстий значительного диаметра рекомендуется сначала просверлить отверстие меньшего диаметра, а потом рассверлить его до требуемого.

При сверлении сквозных отверстий в металлах или пластике будьте осторожны при выходе сверла из материала – возможен ощутимый рывок, уменьшите усилие подачи.

Не допускайте перегрева наружных частей машины при длительной работе. При чрезмерном нагреве прекратите работу, дайте машине поработать без нагрузки в течение 1...2 минут для охлаждения двигателя, выключите двигатель и сделайте перерыв до остывания корпуса редуктора.

Не допускайте работу машины при появлении посторонних или нехарактерных шумов в двигателе или механизме. При появлении шумов выключите машину и обратитесь в авторизованный сервис.

Не допускайте работу машины при появлении видимых вспышек в вентиляционных отверстиях двигателя, прекратите работу и обратитесь в сервисный центр для диагностики и, возможно, замены угольных щеток.

## ШУМ И ВИБРАЦИЯ

Шумовые и вибрационные характеристики приведены в таблице 1.

Указанный в настоящем руководстве по эксплуатации уровень шума и вибрации измерен по методике измерения, прописанной в стандарте, и может применяться для сравнения. Однако если машина будет использована для выполнения других работ с применением оснастки, не предусмотренной изготовителем, или техническое обслуживание не будет отвечать предписаниям, то уровень вибрации может быть иным.



### ВНИМАНИЕ!

Всегда применяйте средства индивидуальной защиты органов слуха.

## ОБСЛУЖИВАНИЕ



### ВНИМАНИЕ!

Перед началом работ по обслуживанию машины отсоедините вилку шнура питания от штепсельной розетки. Для обеспечения качественной и безопасной работы следует постоянно содержать электроинструмент и вентиляционные отверстия в чистоте.

- Если вы заметили снижение частоты вращения оснастки или посторонний шум при работе, то необходимо сдать устройство в центр технического обслуживания для его диагностики и ремонта.
- Обслуживание оснастки. Использование изношенного сменного инструмента снижает эффективность выполняемой работы и может привести к выходу из строя мотора или редуктора, поэтому необходимо периодически заменять износившуюся оснастку, как только в этом появляется необходимость.
- Уход за электродвигателем. Необходимо особенно бережно относиться к электродвигателю, не допускать попадания жидкостей и посторонних предметов внутрь корпуса. Следите за чистотой вентиляционных отверстий, регулярно продувайте их сжатым воздухом или очищайте щеткой. При появлении заметных искр в вентиляционных отверстиях корпуса двигателя обратитесь в авторизованный сервисный центр для диагностики и, возможно, замены угольных щеток.

Для предотвращения попадания пыли и вытекания смазки машина имеет герметичный корпус редуктора. Поэтому машина может использоваться продолжительное время без необходимости замены или добавления смазки. После первоначального пуска в эксплуатацию меняйте смазку раз в 6 месяцев эксплуатации. Для замены смазки обратитесь в центр технического обслуживания.

В случае любого повреждения шнура питания немедленно выключите машину, аккуратно, не касаясь мест повреждения, отключите ее от электросети.



### ВНИМАНИЕ!

В машинах используется шнур питания с креплением типа Y: в целях безопасности его замену должен осуществлять персонал уполномоченных ремонтных мастерских.

## Возможные неисправности

Неисправность	Вероятная причина	Метод устранения
Инструмент не включается.	Обрыв шнура питания или монтажных проводов, неисправность вилки шнура питания.	Обратиться в сервисный центр.
	Неисправен выключатель.	Обратиться в сервисный центр.
	Износ щеток.	Обратиться в сервисный центр.
Образование кругового огня на коллекторе.	Неисправность в обмотке якоря.	Обратиться в сервисный центр.
	Износ/«зависание» щеток.	Обратиться в сервисный центр.
Повышенный шум в редукторе.	Износ/поломка деталей механизма.	Обратиться в сервисный центр.
При работе из вентиляционных отверстий появляется дым или запах горелой изоляции.	Межвитковое замыкание обмоток якоря или статора.	Обратиться в сервисный центр.
	Неисправность электрической части инструмента.	Обратиться в сервисный центр.
Повышенная вибрация машины.	Износ/поломка зубчатых колес или подшипников.	Обратиться в сервисный центр.
	Неисправная или неправильно установленная оснастка.	Заменить или переустановить оснастку.

## УТИЛИЗАЦИЯ

Машина, выработавшая назначенный срок службы, подлежит утилизации в соответствии с правилами, установленными природоохранным и иным законодательством страны, в которой эксплуатируется машина.

## ТРАНСПОРТИРОВКА

Во время транспортировки недопустимо прямое воздействие осадков, прямых солнечных лучей, нагрева и ударов. Транспортировка должна осуществляться только в фирменной упаковке при температуре окружающей среды от - 20 °С до + 40 °С.

## ХРАНИЕ

Во время назначенного срока службы храните машину в сухом отапливаемом помещении. Рекомендуемая температура хранения от 0 °С до + 40 °С. Храните машину в фирменной упаковке. Перед помещением машины на хранение снимите рабочую оснастку.

## СРОК СЛУЖБЫ

Средний срок службы изделия при условии соблюдения потребителем правил эксплуатации составляет 5 лет.

## ГАРАНТИЙНЫЕ ОБЯЗАТЕЛЬСТВА

На изделие распространяется гарантия производителя.

Период гарантийного обслуживания указан в гарантийном талоне и исчисляется с момента продажи. Правила гарантийного обслуживания приведены в гарантийном талоне.

## ИМПОРТЕР

Импортер и продавец в РФ: ООО «МИР ИНСТРУМЕНТА», 142703, РФ, МО, г. Видное, ул. Радиальная 3-я, д. 8, пом. 1-Н, ком. 2; в РК: ТОО «Мир инструмента-Алматы», РК, Алматинская обл., Карасайский р-н, Ельтаевский с/о, с. Береке. Телефон: +7 (495) 234-41-30.

Продукция соответствует требованиям:

ТР ТС 010/2011 «О безопасности машин и оборудования»,

ТР ТС 020/2011 «Электромагнитная совместимость технических средств»,

ТР ТС 004/2011 «О безопасности низковольтного оборудования».





# Гарантийный талон

срок гарантии 12 месяцев

с возможностью расширенной  
гарантии до 36 месяцев

**ВНИМАНИЕ!**

**Пожалуйста, требуйте от продавца полностью заполнить все поля  
гарантийного талона.**

Наименование изделия:

Серийный номер:

Дата продажи:

Наименование и адрес торговой организации:

Изделие проверено в присутствии потребителя:

Печать торговой организации и подпись продавца:

Благодарим вас за приобретение нашей продукции. Фирма-изготовитель предоставляет на приобретенное вами изделие настоящую гарантию сроком на 12 месяцев со дня продажи.

**ВНИМАНИЕ! ИЗДЕЛИЕ В ГАРАНТИЙНУЮ МАСТЕРСКУЮ СДАЕТСЯ В ЧИСТОМ ВИДЕ.**

## Гарантийные обязательства компании ООО «МИР ИНСТРУМЕНТА»

При покупке изделия требуйте проверки его комплектности и исправности в вашем присутствии, инструкцию по эксплуатации на русском языке и заполненный гарантийный талон. При отсутствии у вас правильно заполненного гарантийного талона мы будем вынуждены отклонить ваши претензии по качеству данного изделия.

Перед началом работы с данным изделием следует внимательно ознакомиться с инструкцией по эксплуатации.

Все условия гарантии соответствуют действующему законодательству РФ.

### Базовая гарантия

Гарантийный срок на данное изделие составляет 12 месяцев и исчисляется со дня продажи конечному потребителю.

В случае устранения недостатков товара гарантийный срок на него продлевается на период, в течение которого товар не использовался. Указанный период исчисляется со дня обращения потребителя с требованием об устранении недостатков товара до дня выдачи его по окончании ремонта.

Гарантийные обязательства распространяются только на неисправности, выявленные в течение гарантийного срока и обусловленные производственными или конструктивными факторами.

### Расширенная гарантия

Гарантийный срок может быть продлен до 36 месяцев при условии безусловного бытового применения. Расширенная гарантия предоставляется только при условии, если владелец регистрирует инструмент на сайте компании «МИР ИНСТРУМЕНТА» [www.instrument.ru](http://www.instrument.ru) в разделе «Сервис» в течение 4 недель с момента приобретения.

Подтверждением участия в программе расширенной гарантии конкретного инструмента и корректной регистрации инструмента является регистрационный сертификат, который следует распечатать на принтере во время регистрации. Регистрация возможна только после подтверждения покупателем согласия на сохранение личных данных, запрашиваемых в процессе регистрации.

### Гарантия не распространяется в следующих случаях:

- Если детали были подвержены рабочему и другим видам естественного износа, а также при неисправности инструмента, вызванной данными видами износа.
- Неисправности инструмента, вызванные несоблюдением инструкций по эксплуатации или произошедшие в результате использования инструмента не по назначению, во время использования при неблагоприятных условиях окружающей среды, ненадлежащих производственных условиях, вследствие перегрузок или недостаточного, ненадлежащего технического обслуживания или ухода.
- Использование изделия в условиях высокой интенсивности работ и сверхтяжелых нагрузок. К безусловным признакам перегрузки изделия относятся, помимо прочих, появление цветов побежалости, деформация или оплавление деталей и узлов изделия, потемнение или обугливание изоляции проводов под воздействием высокой температуры.
- Механические повреждения (трещины, сколы и т.д.) и повреждения, вызванные воздействием агрессивных сред, высокой влажности и высоких температур, попаданием инородных предметов в вентиляционные отверстия электроинструмента, а также повреждения, наступившие вследствие коррозии металлических частей и неправильного хранения.
- Естественный износ принадлежностей, быстроизнашивающихся частей и расходных материалов, таких как приводные ремни, аккумуляторные батареи, стволы, направляющие ролики, защитные кожухи, цанги, патроны, подошвы, пыльные цепи, пыльные шины, звездочки, шины, угольные щетки, ножи, пилки, абразивы, сверла, буры, лески для триммера и т.п.
- Вскрытие, ремонт или модификация инструмента вне уполномоченного сервисного центра.
- Стихийное бедствие.
- Неблагоприятные атмосферные и иные внешние воздействия на изделие, такие как дождь, снег, повышенная влажность, нагрев, агрессивные среды.
- Использование принадлежностей, расходных материалов и запасных частей, ГСМ, не рекомендованных производителем.

Средний срок службы изделия — 5 лет.

Устранение неисправностей, признанных как гарантийный случай, осуществляется на выбор компании посредством ремонта или замены неисправного инструмента на новый (возможно, на модель следующего поколения). Замененные инструменты и детали переходят в собственность компании.

Гарантийные претензии принимаются в течение гарантийного срока. Для этого необходимо предъявить или отправить неисправный инструмент в указанный в документации (на сайте [ipsremont.ru](http://ipsremont.ru)) сервисный центр, приложив заполненный гарантийный талон, подтверждающий дату покупки товара и его наименование. В случае действия расширенной 36-месячной гарантии на основании упомянутой выше регистрации, к инструменту следует приложить и регистрационный сертификат расширенной гарантии. Инструмент, отправленный дилеру или в сервисный центр в частично или полностью разобранном виде, под действие гарантии не подпадает. Все риски по пересылке инструмента дилеру или в сервисный центр несет владелец инструмента.

Другие претензии, кроме упомянутого права на бесплатное устранение недостатков инструмента, под действие гарантии не подпадают. После гарантийного ремонта на условиях расширенной гарантии срок расширенной гарантии инструмента не продлевается и не возобновляется.

С уважением, компания ООО «МИР ИНСТРУМЕНТА»

Изделие проверялось в моем присутствии, исправно, укомплектовано, внешний вид без повреждений. Всю необходимую для пользования данным изделием информацию и руководство от продавца получил, с условиями гарантии ознакомлен и согласен, правильность заполнения гарантийного талона проверил.

\_\_\_\_\_ Подпись покупателя

**Адреса и телефоны сервисных центров, обслуживающих продукцию компании ООО «МИР ИНСТРУМЕНТА», вы можете найти на сайте [www.ipsremont.ru](http://www.ipsremont.ru) или уточнить в наших филиалах. Адреса и телефоны филиалов указаны на официальном сайте компании ООО «МИР ИНСТРУМЕНТА» [www.instrument.ru](http://www.instrument.ru).**

Заполняется сервисным центром

Сервисный наряд № Дата поступления Дата выдачи Наименование сервиса Исполнитель Ф.И.О.  

Печать сервисного центра и подпись ответственного лица

МП

Заполняется продавцом

Наименование изделия Серийный номер Дата продажи 

МП

Печать торговой организации

Заполняется сервисным центром

Сервисный наряд № Дата поступления Дата выдачи Наименование сервиса Исполнитель Ф.И.О.  

Печать сервисного центра и подпись ответственного лица

МП

Заполняется продавцом

Наименование изделия Серийный номер Дата продажи 

МП

Печать торговой организации

Заполняется сервисным центром

Сервисный наряд № Дата поступления Дата выдачи Наименование сервиса Исполнитель Ф.И.О.  

Печать сервисного центра и подпись ответственного лица

МП

Заполняется продавцом

Наименование изделия Серийный номер Дата продажи 

МП

Печать торговой организации

Заполняется сервисным центром

Сервисный наряд №

Дата поступления

Дата выдачи

Наименование сервиса

Исполнитель Ф.И.О.

Контактная информация пользователя

Ф.И.О.:

Адрес:

Телефон:

Подпись покупателя \_\_\_\_\_ МП



---

---

---

---

---

---

---

---

---

---

Заполняется сервисным центром

Сервисный наряд №

Дата поступления

Дата выдачи

Наименование сервиса

Исполнитель Ф.И.О.

Контактная информация пользователя

Ф.И.О.:

Адрес:

Телефон:

Подпись покупателя \_\_\_\_\_ МП



---

---

---

---

---

---

---

---

---

---

Заполняется сервисным центром

Сервисный наряд №

Дата поступления

Дата выдачи

Наименование сервиса

Исполнитель Ф.И.О.

Контактная информация пользователя

Ф.И.О.:

Адрес:

Телефон:

Подпись покупателя \_\_\_\_\_ МП



---

---

---

---

---

---

---

---

---

---