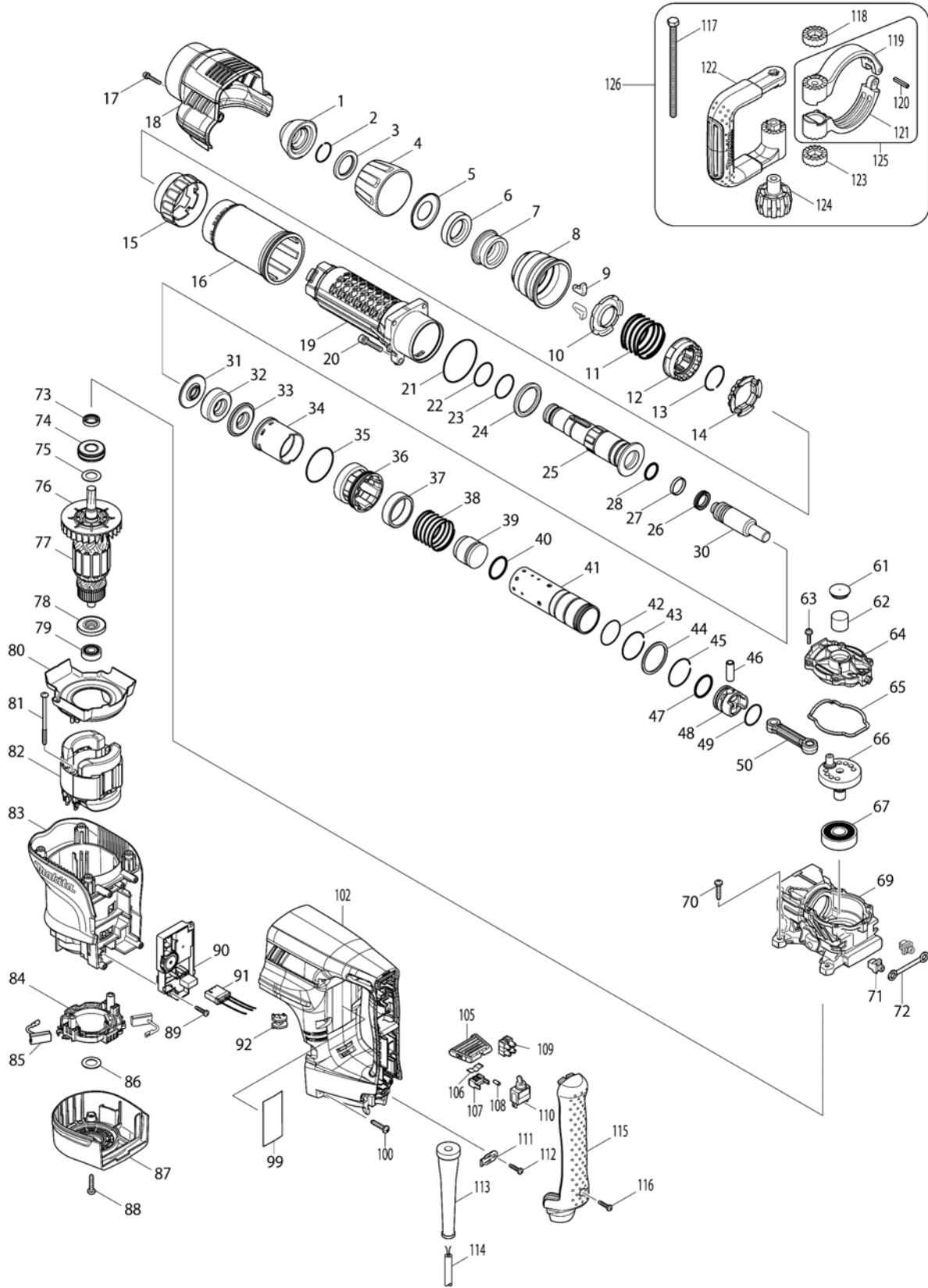


Model No.HM1101C DEMOLITION HAMMER



Model No.HM1101C DEMOLITION HAMMER

Item	Parts No.	Description	I/C	Qty	New/Old	Opt. 1	Opt. 2	Note
001	286285-4	TOOL HOLDER CAP		1				
002	233948-3	RING SPRING 25		1				
003	257308-5	RING 28		1				
004	450064-8	CHUCK COVER		1				
005	346247-5	CUP WASHER 28		1				
006	262161-6	RUBBER RING 28		1				
007	324752-2	CHUCK RING		1				
008	451836-4	RELEASE COVER		1				
009	310178-4	TOOL RETAINER		2				
010	345804-6	SPRING GUIDE		1				
011	234180-2	COMPRESSION SPRING 47		1				
012	313193-7	CHANGE RING		1				
013	233982-3	RING SPRING 33		1				
014	325904-8	LOCK RING		1				
015	451842-9	CHANGE RING COVER		1				
016	451835-6	BARREL COVER		1				
017	922148-7	HEX. SOCKET HEAD BOLT M4X25		1				
018	451849-5	CRANK HOUSING COVER		1				
019	140411-8	BARREL COMPLETE		1				
020	922353-6	HEX.SOCKET HEAD BOLT M6X30		4				
021	213654-6	O RING 60		1				
022	213492-6	O-RING 32		1				
023	213492-6	O-RING 32		1				
024	262135-7	RUBBER RING 36		1				
025	325901-4	TOOL HOLDER		1				
026	213281-9	X-RING 18		1				
027	213392-0	FLUORIDE RING 25		1				
028	213317-4	O RING 20		1				
030	325902-2	IMPACT BOLT		1				
031	325903-0	COLLARED SLEEVE 19		1				
032	422053-3	RUBBER RING 20		1				
033	325903-0	COLLARED SLEEVE 19		1				
034	412096-3	SLIDE SLEEVE		1				
035	213606-7	O RING 48		1				
036	318604-7	CYLINDER GUIDE		1				
037	313194-5	RING 39		1				
038	234178-9	COMPRESSION SPRING 40		1				
039	325905-6	STRIKER		1				
040	213536-2	O-RING 27		1				
041	331892-9	CYLINDER 35		1				
042	213458-6	O RING 34		1				

Please order the parts with part number.

Print Date 30/3/2020

Model No.HM1101C DEMOLITION HAMMER

Item	Parts No.	Description	I/C	Qty	New/Old	Opt. 1	Opt. 2	Note
043	233981-5	RING SPRING 38		1				
044	267423-7	FLAT WASHER 40		1				
045	233981-5	RING SPRING 38		1				
046	331911-1	PIPE 10		1				
047	213536-2	O-RING 27		1				
048	451833-0	PISTON		1				
049	213415-4	O RING 28		1				
050	451834-8	CONNECTING ROD		1				
061	424311-3	FILTER CAP		1				
062	443127-7	FILTER		1				
063	911133-5	PAN HEAD SCREW M4X18		5				
064	451838-0	CRANK CAP		1				
065	424312-1	SEAL RING		1				
066	325899-5	CRANK SHAFT		1				
067	211279-0	BALL BEARING 6303LLU		1				
069	140408-7	CRANK HOUSING COMPLETE		1				
070	266041-8	TAPPING SCREW 5X25		4				
071	419008-7	FIX GUIDE		2				
072	423345-3	CUSHION PLATE		1				
073	213133-4	OIL SEAL 12		1				
074	211295-2	BALL BEARING 6202LLU		1				
075	267215-4	FLAT WASHER 15		1				
076	241908-1	FAN 80		1				
077	517858-5	ARMATURE ASSEMBLY 220-240V		1				
D10		INC. 74-76,78,79						
078	681642-5	INSULATION WASHER		1				
079	210059-1	BALL BEARING 6000DDW		1				
080	451837-2	BAFFLE PLATE		1				
081	266568-8	TAPPING SCREW 5X80		2				
082	623418-4	FIELD 220-240V		1				
083	451840-3	MOTOR HOUSING		1				
084	638700-8	BRUSH HOLDER UNIT		1				
085	194412-8	CARBON BRUSH CB-171		1	*			
085-1	195844-2	CARBON BRUSH CB-175	O	1				
086	267215-4	FLAT WASHER 15		1				
087	451839-8	REAR COVER		1				
088	266041-8	TAPPING SCREW 5X25		2				
089	265995-6	TAPPING SCREW 4X18		2	*			
089-1	266300-0	TAPPING SCREW 4X18	<	2				
090	631966-9	CONTROLLER		1				
091	638718-9	LEAD UNIT		1				
092	450240-4	LENS		1				

Please order the parts with part number.

Print Date 30/3/2020

Model No.HM1101C DEMOLITION HAMMER

Item	Parts No.	Description	I/C	Qty	New/Old	Opt. 1	Opt. 2	Note
099	868072-9	HM1101C NAME PLATE		1				
100	266041-8	TAPPING SCREW 5X25		6				
102	140410-0	HANDLE COMPLETE		1				
C10	423379-6	SPONGE SHEET		1				
105	450897-1	SLIDE LEVER		1				
106	232209-8	LEAF SPRING		1				
107	450891-3	LEVER STOPPER		1				
108	263027-3	RUBBER PIN 4		1				
109	654531-7	TERMINAL BLOCK 2P		1				
110	651418-4	SWITCH ST115A-40		1				
111	687169-3	STRAIN RELIEF		1				
112	265995-6	TAPPING SCREW 4X18		1				
113	682560-0	CORD GUARD 10		1				
114	695123-3	POWER SUPPLY CORD 1.5-2-4.0		1				
115	451841-1	HANDLE COVER		1				
116	265995-6	TAPPING SCREW 4X18		1				
117	265439-6	HEX. BOLT M8X150		1				
118	417002-3	SIDE HANDLE CAM		1				
119	317282-0	SIDE HANDLE BASE 68A		1				
120	951166-8	SPRING PIN 5-24		1				
121	317283-8	SIDE HANDLE BASE 68B		1				
122	417003-1	SIDE HANDLE		1				
123	417002-3	SIDE HANDLE CAM		1				
124	252640-2	WING NUT M8		1				
125	151769-0	SIDE HANDLE 68 COMPLETE		1				
D10		INC. 119-121						
126	134890-0	SIDE HANDLE 68 ASS'Y		1				
D10		INC. 117-124						
A01	A-80787	BULL POINT 280 SDS-MAX		1				
A02	194683-7	GREASE VESSEL SET		1	*			
A02-1	198993-4	GREASE VESSEL SET	<	1				
A03	443122-7	CLOTH		1				
A04	140562-7	PLASTIC CASE COMPLETE		1				
C10	162271-8	LATCH		2				
C20	325637-5	SHAFT		1				
C30	450990-1	HANDLE		1				
C40	837160-3	SPONGE 40-65		1				
A05	819926-3	HM1101C PLASTIC CASE LABEL		2				

Please order the parts with part number.

Print Date 30/3/2020