

CONSTRUCTION ELECTRIC HAND MIXER

МИКСЕР РУЧНОЙ СТРОИТЕЛЬНЫЙ
ЭЛЕКТРИЧЕСКИЙ

| | |
|-----------|-------|
| EM-1-1220 | 27903 |
|-----------|-------|

| | |
|-----------|-------|
| EM-1-1600 | 27904 |
|-----------|-------|

| | |
|-----------|-------|
| EM-2-1600 | 27911 |
|-----------|-------|



IMPORTANT
ВНИМАНИЕ

Read this manual before use and retain for future reference.

Прочитайте данное руководство перед эксплуатацией устройства и сохраните его для дальнейшего использования.

The date of manufacture is indicated on the product.

Дата изготовления указана на изделии.

CONTENT

| | |
|---|----|
| PROPER USAGE AND GENERAL INFORMATION..... | 3 |
| ACCESSORIES | 3 |
| SPECIFICATIONS | 3 |
| SAFETY WARNINGS | 4 |
| GENERAL SAFETY INSTRUCTIONS FOR ELECTRIC TOOLS..... | 4 |
| HANDLING INSTRUCTIONS | 7 |
| OPERATION..... | 7 |
| NOISE AND VIBRATION | 9 |
| MAINTENANCE..... | 10 |
| RECYCLING..... | 11 |
| TRANSPORTATION..... | 11 |
| STORAGE | 11 |
| LIFE TIME..... | 11 |
| WARRANTY OBLIGATIONS | 11 |

PROPER USAGE AND GENERAL INFORMATION

Electric Hand Mixer (hereinafter referred to as «mixer», "machine", "tool") is designed for mixing the components of various mixtures for building and construction (concrete, plaster, putty, etc.), tile and wallpaper glues, various kinds of paint.

The machine is designed for usage at the environment temperature from 0 °C to 40 °C, relative humidity not more than 80% and absence of direct exposure of atmospheric condensation and excessive air dustiness.

The machine is suitable only for private use and must be used in intermittent duty not more than 20 hours per month. It is recommended to use on-loading not more than a nominal, during 10-15 minutes and then to have a break for 20-30 minutes. This usage mode enables to complete domestic tasks effectively and prevents the tool from a premature coming out of order.

This manual contains the information and the requirements necessary and sufficient for a sure, effective and secure use of the tool.

Due to ongoing activities in order to improve the tool the manufacture reserves the right to make minor changes in its construction, not mentioned in this manual and not worsening its consumer and operational properties, effective and secure use.

ACCESSORIES

Contents of delivery:

- | | |
|--|--------|
| 1. Electric Mixer | 1 pc. |
| 2. Wrench (for EM-1-1220, EM-1-1600) | 2 pcs. |
| 3. Rod of mixing paddle (for EM-1-1220, EM-1-1600) | 1 pc. |
| 4. Mixing paddle (of EM-1-1220, EM-1-1600) | 1 pc. |
| 5. Mixing paddle assembled (of EM-2-1600) | 2 pc. |
| 6. Set of Carbon brushes | 1 pc. |
| 7. Instruction manual | 1 pc. |
| 8. Warranty card | 1 pc. |

SPECIFICATIONS





Table 1

| Parameter | Value | | |
|---|-------------|---------------------|---------------------|
| | 27903 | 27904 | 27911 |
| Rated power, W | 1220 | 1600 | 1600 |
| Voltage, V / Frequency, Hz | 230/50 | 230/50 | 230/50 |
| Degree of protection against penetration of objects and liquids | IP20 | IP20 | IP20 |
| Degree of protection against electric shock | II | II | II |
| Number of gears | 2 | 2 | 2 |
| Non-loaded speed, rpm | 0-480/0-800 | 180-460/ 300-750 | 200-480/ 250-680 |
| Type (single / double) | 1 | 1 | 2 |
| Maximum torque, N * m | 107 | 107 | 90 |
| Electronic control of rotational speed | + | + | + |
| Type of chuck | M14*2 | M14*2 | HEX13 |
| Length of mixing paddle, mm | 600 | 600 | 600 |


| Parameter | Value | | |
|-----------------------------------|-------|-------|-------|
| | 27903 | 27904 | 27911 |
| Soft start | + | + | + |
| Constant speed (RPM)control | - | + | + |
| Lock-on switch | + | + | + |
| Noise level, dB | 97.2 | 96.7 | 98.4 |
| Vibration level, m/s ² | 3.2 | 3.2 | 3.1 |
| Net weight, kg | 5 | 5 | 7 |
| Gross weight, kg | 6 | 6 | 8 |

SAFETY WARNINGS

The following definitions indicate the degree of importance of each keyword. Read through the instructions and pay attention to these symbols.

| | |
|--|--|
|  | WARNING! Indicates a potentially hazardous situation which, if not avoided, could result in injury or damage to equipment. |
|  | Electric Shock Risk! |
|  | Flammability! |
|  | ATTENTION: Read the manual attentively in order to reduce the risk of injury. |

GENERAL SAFETY INSTRUCTIONS FOR ELECTRIC TOOLS

| | |
|--|--|
|  | <p>WARNING! Before starting work read all safety information and instructions. Non-observance to the safety rules and instructions may lead to electric shock, fire and/or severe injury.</p> |
|--|--|

Keep all safety instructions for subsequent use

The term «power tool» refers to your electric (with cable) or battery power (wireless) tool in all the instructions below.

Workplace safety

- Keep the workplace clean and provide it with good light. Poor light or mess at workplace may lead to an accident.
- Do not use power tools if there is a danger of fire or explosion, for example, near flammable liquids, gas or dust. During work electric tools give up sparks, which can ignite dust or flammable vapors.
- While working with power tools do not keep close children or other people. A distraction may cause loss of control over the work.

Electrical safety

- a) A cable plug of an electric tool must match a power outlet. Never modify an electrical cable plug. Do not use connecting adapter plugs, if there is a ground wire in the power cable of the electric tool. Usage of the original cable plug and a corresponding power outlet reduces the risk of electric shock.
- b) While working with electric tool avoid physical contact with grounded objects such as pipelines, radiators, electric stoves and refrigerators. The risk of electric shock increases if your body is grounded.
- c) Do not use electric tool in the rain or in a humid environment. Water entering into the electric tool increases the risk of electric shock.
- d) Handle electrical cable with care. Never use the cable for carrying electric tool or pulling its plug out of the receptacle. Do not expose electrical cable to high temperatures and lubricants; keep it away from sharp edges and moving parts of the tool. Damaged or entangled cable increases the risk of electric shock.
- e) While working with electric tool outdoors use an extension cable intended for outdoor use. Using the cable suitable for working outdoors reduces the risk of electric shock.
- f) While working with electric tool in a humid environment use a power supply equipped with a safety protective shutdown device. The usage of this device reduces the risk of electric shock.



ATTENTION!

It is recommended to use a residual current device (RCD) with a response current not exceeding 30 mA.

Personal safety

- a) While working with electric tools be careful, watch what you do and use common sense. Do not use electric tool if you are tired, as well as being under the influence of alcohol or drugs lowering the reaction and other remedies. The slightest negligence may cause serious injury while working with electric tools.
- b) While working use personal protective equipment. Always wear safety glasses. Timely using of protective equipment such as: dust mask, boots with non-slip sole, safety hat or noise protection headphones, significantly reduces the risk of injury.
- c) Do not allow unintended start. Before plugging in electric tool and/or connecting it to the battery lift or move it, be sure the switch is in the "off" position. Do not carry electric tool with the trigger switch pressed and do not plug the electric tool into a power outlet if the switch is set to "on". This may lead to an accident.
- d) Before turning on the electric tool remove from it all adjusting keys or spanners. An adjusting key or spanner left fixed on the rotating part of the electric tool can cause severe injury.
- e) Work in a steady posture. Always keep your balance and a steady posture. This will allow you not to lose control when working with electric tool in an unexpected situation.
- f) Dress properly. Do not wear loose clothes or jewelry while working. Make sure your hair, clothing or gloves are at a constant distance from the rotating parts of the tool. Loose clothes, jewelry or long hair can get into the rotating parts of the tool.
- g) If the electric tool is equipped with a dust collection and removal device, make sure this device is properly connected and used. The use of a dust removal device significantly reduces the risk of an accident due to a dusty working space.

Use of electric tools and technical care

- a) Do not overload the electric tool. Use your tool for its intended purpose. The electric tool works safe and secure only if you keep to the parameters specified in its technical specifications.
- b) Do not use the electric tool if its switch cannot be set to the "on" or "off" position. Electric tool with a broken switch is dangerous and must be repaired.
- c) Unplug the electric tool from the power outlet and/or remove battery before adjusting, replacement of accessories or when storing electric tool. Such precautions reduce the risk of an accidentally turning on of the electric tool.
- d) Store unused electric tools out of the reach of children and do not let persons who are not familiar with electric tool or these instructions work with electric tools. Electric tools are dangerous in the hands of inexperienced users.

- e) Check an electric tool regularly. Check alignment accuracy and ease of movement of moving parts, integrity of parts and any other elements of the electric tool affecting its work. Do not use a broken electric tool until it is completely repaired. Most accidents are the result of insufficient maintenance of the electric tool.
- f) Watch out for sharpness and cleanness of cutting accessories. Sharp-edged accessories allow avoiding jamming and make work less tiring.
- g) Use electric tool and accessories in accordance with this manual and taking into account the working conditions and nature of future work. Misuse of the electric tool can create a hazardous situation.

Maintenance

Your electric tool must be repaired only by qualified specialists using original spare parts. This will ensure safety and reliability of your electric tool in further use.

Additional security measures for Electric Hand Mixers

- a) Hold the mixer firmly in both hands when working. If this rule is not followed, the operation of the power tool becomes dangerous.
- b) It is prohibited to mix solvents and products containing solvents, since there is a risk of ignition at temperatures above 21 °C.
- c) Hold electrical cable away from the rotating working tool. If you lose control of your electric tool, the power cord may be cut or captured by a rotating working tool.
- d) When jamming the paddle immediately turn off the mixer.
- e) Turn the machine on and off only inside the tank with mixed composition, the immobility of which must be ensured.
- f) It is prohibited to put hands into the tank with mixture while working. To avoid equipment breakages do not put any objects into the tank.
- g) During operation immerse the working part of the machine in mixed composition at low speed of rotation of the paddle in order to avoid splashing of the mixed composition. It is recommended to increase the rotation speed to the maximum for better engine cooling when the paddles are completely immersed in the mixed composition. It is recommended to remove the working part of the machine from the mixed composition at minimum speed.
- h) The machine can be released from the hands only after complete stop.
- i) Keep the engine in good condition. In case of failure, appearance of suspicious odors characteristic of burning insulation, strong noise, knocking, sparks you should immediately turn the machine off and contact to the service center.

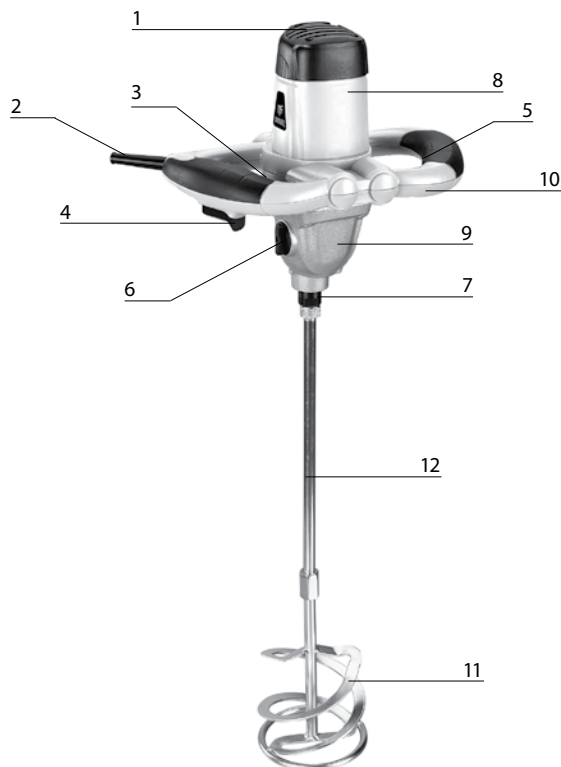
Residual risks

Despite following the relevant safety instructions and the use of safety devices some residual risks cannot be completely eliminated. These include:

- Injuries from touching moving parts of the tool.
- Risk of pinching fingers when changing tooling.
- Damage to health from exposure to vibration arising at work.

HANDLING INSTRUCTIONS

General view of the tool is shown on picture 1.



1. Air vents
2. Power cable
3. Lock on switch
4. Power switch
5. Speed controller
6. Speed adjustment switch
7. Spindle
8. Motor housing
9. Gear housing
10. The handle of the mixer
11. Mixing paddle
12. Rod of mixing paddle

Pic. 1

Description

Electric Hand Mixer is a rotary machine consisting of an electric drive and gearbox, on the output shaft of which the possibility of fixing the tooling is provided. The actuator is an AC collector motor, housed in a plastic housing. The engine is controlled by a switch 4 (pic. 1) and speed controller 5 (pic. 1).

The machine is equipped with two handles that allow you to comfortably hold the tool, providing convenience when working.

OPERATION



ATTENTION!

Always disconnect the power cable from the electrical outlet before preparing for the operation, adjustment, maintenance of power tools.

Installation / removal of the tooling



ATTENTION!

When installing, removing, replacing the tooling, disconnect the power plug. Accidental switching on of the machine when changing accessories may cause significant injury and equipment breakage.

For models EM-1-1220, EM-1-1600 connect the paddle 11 (pic. 1) with the rod 12 (pic. 1). Install the assembled mixing paddle onto the spindle of the product. Holding drive spindle 7 (pic. 1) with a wrench, tighten the rod of the paddle 12 (pic. 1) and the mixing paddle 11 (pic. 1) by the second wrench.



ATTENTION!

In order to avoid damage to the engine of the machine and injury it is forbidden to tighten the threaded connections of paddles, including the engine, starting the engine.

Power connection



ATTENTION!

Power tools should only be connected to single-phase AC power, the voltage of which corresponds to the voltage indicated on the rating plate located on the tool housing. If the rating plate indicates a voltage of 230V, then the power tool can also be switched on to a main with a voltage of 220 V.

When working outdoors use industrial extension cords intended for outdoor use. Do not use homemade extensions. When working outdoors connect power tools to the power circuit equipped with a differential automatic with a response current of not more than 30 mA, this will reduce the risk of electric shock.

When connecting ensure that the insulation of the electrical cable and the power plug of the machine is intact. Make sure the machine's power switch is in the "off" position.

This power tool can be connected to power outlets that do not have a protective ground, since it has double insulation (protection class II).

Mixing paddle speed adjustment

Depending on the type of mixed material you can select the optimum spindle speed of the machine. Adjustment is carried out from minimum to maximum value indicated in the table 1 by turning the speed controller 5 (pic. 1). It is possible to change the rotational speed with the engine running, including under load.

You can change the setting of the speed adjustment switch 6 (pic. 1) only after the spindle is completely stopped. Speed adjustment switch 6 (pic.1) has 2 modes:

Low speed: switch 6 (pic.1) must be on the mark I.

High speed: switch 6 (pic.1) must be on the mark II.

Speed adjustment switch is located on the side surface of the gear housing 9 (pic.1) and is driven by turning it. Do not apply excessive force to the switch when changing the speed. If there is a difficulty, smoothly turn the mixer spindle to ensure tooth engagement.



ATTENTION!

Do not overload the machine operating at reduced speeds. When reducing the rotation speed of the rotor of the engine the cooling of the machine deteriorates.

Before getting started you must:

- inspect the tool and make sure it is complete and there is no external damage;
- make sure that the power switch is working correctly;
- after transportation in winter conditions before switching on, keep the machine at room temperature until the condensate is completely dry.

Getting started, you must:

- check the reliability of the tooling fixing;
- make sure that the power switch is in the "off" position, then connect the machine to the mains;
- try out the tool at idle (pay attention to the uniformity of rotation and beating of the paddles).

To turn the machine on, press the power switch 4 (pic. 1). If necessary, the power switch 4 (pic. 1) can be locked in the "on" position. To do this, while pressing switch 4 (pic. 1) press the lock on switch 3 (pic. 1) and the power switch will be fixed. To turn the machine off press the switch 4 again (pic. 1).

Recommendation: Try the operation of the mechanism for fixing the switch 4 (pic. 1) before connecting the machine to the mains.

While working:

- do not overload the machine, watch for the engine housing heat up, take breaks in time;
- do not allow mechanical damage, shock, falling of the tool on hard surfaces, etc.;
- protect the machine from exposure to intense heat sources or chemically active substances, as well as from the ingress of liquids and foreign solid objects inside the machine;
- ensure effective removal of processing products from the cutting zone;
- do not block or obstruct the ventilation openings in the machine housing;
- turn off the machine using the switch before connecting / disconnecting from the power supply.



ATTENTION!

Avoid splashing of mixed material. You can slip and the mixer will go out of control.

At the end of the work:

- disconnect the tool from the mains, making sure the switch is in the off position;
- clean the machine and accessories from dirt.

Recommendations for use

It is not recommended to use the tool with the total length of more than 1.5m due to the risk of imbalance and increased spindle beating.

Make sure that the tank with the substance to be mixed is fixed or securely mounted.

Do not allow any objects to get into the mixed composition in progress.

For better mixing of the composition move the working part of the machine in the composition in all directions.

When removing the working part of the machine from the mixed composition reduce the speed of the mixing paddles or turn the motor off.

Do not overheat external machine parts during long work. If there is an excessive heat, stop working, let the tool work without load for 1...2 minutes for engine cooling, turn off the engine and take a break until the gear housing becomes cool.

Do not allow the machine to work when there is unwanted or unusual noise in the engine or mechanism. If noise appears, turn the machine off and contact an authorized service.

Do not operate the machine when visible flashes appear in the engine ventilation openings, stop working and contact the service center for diagnostics and, possibly, replacement of carbon brushes.

NOISE AND VIBRATION

Noise and vibration characteristics are given in the table №1.

However, if the Electrical Rotary Hammer will be used for other work with the use of working tools, not provided by the manufacturer, or maintenance will not meet the requirements, then the vibration level may be different.



ATTENTION!

Always use personal hearing protection.

MAINTENANCE



ATTENTION!

Before starting maintenance and adjustment of the Electric Mixer unplug the power cord from the power outlet. To ensure quality and safe functioning keep your tool and vents clean at all times.

- If you notice a decrease in the frequency of rotation of equipment or extraneous noise during operation, it is necessary to hand over the device to the service center for its diagnosis and repair.
- Working tool maintenance. The use of the worn working tool reduces the effectiveness of the work and may result in motor or gearbox failure, it is therefore necessary to periodically replace worn out tooling as soon as this becomes necessary.
- Electric motor care. You must be especially careful with the electric motor, avoid getting liquids and foreign objects inside the case. Keep your ventilation holes clean, blow them regularly with compressed air or clean them with a brush. When noticeable sparks appear, contact an authorized service center for diagnostics and possibly replacement of carbon brushes.

To prevent dust and grease leakage this machine has a hermetic design. Therefore, the tool can be used for a long time and you have no need to replace or add grease. After initial commissioning change lubrication every 6 months of operation. To replace the lubricant, contact the service center.

In case of any damage to the power cord turn off the Electric Mixer immediately, carefully, without touching the places of damage, disconnect it from the mains.



ATTENTION!

The tool uses power cord with mounting type Y: for security it must be replaced by authorized repair shop personnel.

Possible faults

| Fault | Probable cause | Problem solution |
|---|---|---------------------------------|
| The tool does not turn on. | Broken power cord or mounting wire, power cord malfunction. | Call the service center. |
| | Faulty switch. | Call the service center. |
| | Brush wear. | Call the service center. |
| Circular fire on the collector. | Fault in the armature winding. | Call the service center. |
| | Wearout / "hang " of brushes. | Call the service center. |
| Increased noise in the gearbox. | Worn / broken parts of the mechanism. | Call the service center. |
| When working smoke or smell of burning insulation is generated from the vent. | Interturn closure of armature or stator windings. | Call the service center. |
| | Malfunction of the electrical part of the instrument. | Call the service center. |
| Increased machine vibration. | Worn / broken gears or bearings. | Call the service center. |
| | Faulty or improperly installed tooling. | Replace or reinstall a tooling. |

Maintenance is carried out in specialized service centers. The list of service centers is presented on the website <http://ipsremont.ru/kontakty/>.

RECYCLING

A tool, developed a designated service life, must be recycled according the rules established by environmental and other laws of the country, where the tool is operated.

TRANSPORTATION

During the transportation direct exposure of precipitation, direct sunlight, heat and shock is not allowed. Transportation should be carried out only in the original packaging at temperature from -20 °C to +40 °C.

STORAGE

During the assigned service life, store the machine in a dry heated room. Recommended storage temperature is from 0 °C to +40 °C. Store the tool in the original packaging. Before placing the drill in storage remove the working tool.

LIFE TIME

Average product life time is 5 years if the customer follows the rules of operation.

WARRANTY OBLIGATIONS

The product is covered by the manufacturer's warranty.

The warranty period is specified in the warranty card and calculated from the date of sale. Terms of warranty service are given in the warranty card.

The Electric Mixer conforms to the specifications if the following directives and harmonized standards:

EC Council Directive 2006/42/EC

2014/30/EU

2011/65/EU

EN 60745-1

EN 55014-1

EN 55014-2

EN 61000-3-2

EN 61000-3-3

Made in PRC.



СОДЕРЖАНИЕ

| | |
|---|----|
| НАЗНАЧЕНИЕ И ОБЩАЯ ИНФОРМАЦИЯ | 13 |
| КОМПЛЕКТНОСТЬ | 13 |
| ТЕХНИЧЕСКИЕ ХАРАКТЕРИСТИКИ | 13 |
| СИМВОЛЫ БЕЗОПАСНОСТИ | 14 |
| ОБЩИЕ ПРАВИЛА БЕЗОПАСНОСТИ ПРИ РАБОТЕ С ЭЛЕКТРОИНСТРУМЕНТАМИ..... | 14 |
| УСТРОЙСТВО И ПРИНЦИП РАБОТЫ | 17 |
| ЭКСПЛУАТАЦИЯ | 18 |
| ШУМ И ВИБРАЦИЯ..... | 20 |
| ОБСЛУЖИВАНИЕ | 20 |
| УТИЛИЗАЦИЯ | 21 |
| ТРАНСПОРТИРОВКА..... | 21 |
| ХРАНЕНИЕ | 21 |
| СРОК СЛУЖБЫ..... | 22 |
| ГАРАНТИЙНЫЕ ОБЯЗАТЕЛЬСТВА | 22 |
| ИМПОРТЕР | 22 |

НАЗНАЧЕНИЕ И ОБЩАЯ ИНФОРМАЦИЯ

Миксер ручной строительный электрический (далее по тексту «миксер», «машина», «инструмент») предназначен для перемешивания компонент различных строительных смесей (бетонных, штукатурных, шпаклевочных и т.п.), плиточных и обойных клеев, различных красок.

Машина предназначена для эксплуатации при температуре окружающей среды от 0 °С до 40 °С, относительной влажности воздуха не более 80%, при отсутствии прямого воздействия атмосферных осадков и чрезмерной запыленности воздуха.

Машина относится к бытовому классу инструмента и должна эксплуатироваться в повторно-кратковременном режиме с наработкой до 20 часов в месяц. Рекомендуется эксплуатация с нагрузкой, не превышающей номинальной, в течение 10-15 минут и последующим перерывом 20-30 минут. Такой режим эксплуатации позволяет эффективно выполнять все задачи, возникающие в быту, и предохраняет инструмент от преждевременного выхода из строя.

Настоящее руководство содержит сведения и требования, необходимые и достаточные для надежной, эффективной и безопасной эксплуатации инструмента.

В связи с постоянной деятельностью по совершенствованию инструмента изготовитель оставляет за собой право вносить в его конструкцию незначительные изменения, не отраженные в настоящем руководстве и не ухудшающие его потребительские и эксплуатационные свойства, безопасность и эффективность работы.

КОМПЛЕКТНОСТЬ

В комплект поставки входит:

- | | |
|--|-------|
| 1. Миксер строительный электрический | 1 шт. |
| 2. Ключ гаечный (для EM-1-1220, EM-1-1600) | 2 шт. |
| 3. Штанга шнека (для EM-1-1220, EM-1-1600) | 1 шт. |
| 4. Венчик шнека (для EM-1-1220, EM-1-1600) | 1 шт. |
| 5. Шнек в сборе (для EM-2-1600) | 2 шт. |
| 6. Комплект запасных угольных щеток | 1 шт. |
| 7. Инструкция по эксплуатации | 1 шт. |
| 8. Гарантийный талон | 1 шт. |

ТЕХНИЧЕСКИЕ ХАРАКТЕРИСТИКИ





Таблица 1

| | Значение | | |
|--|-----------------|---------------------|---------------------|
| | 27903 | 27904 | 27911 |
| Номинальная мощность, Вт | 1220 | 1600 | 1600 |
| Напряжение питания, В / Частота, Гц | 230 / 50 | 230 / 50 | 230 / 50 |
| Степень защиты от проникновения предметов и жидкости | IP20 | IP20 | IP20 |
| Степень защиты от поражения электрическим током | II | II | II |
| Количество скоростей | 2 | 2 | 2 |
| Частота вращения шпинделя, об/мин | 0-480/ 0-800 | 180-460/ 300-750 | 200-480/ 250-680 |
| Тип (одинарный/двойной) | 1 | 1 | 2 |
| Максимальный крутящий момент, Н·м | 107 | 107 | 90 |
| Электронная регулировка частоты вращения | + | + | + |
| Тип патрона | M14*2 | M14*2 | HEX13 |


| | Значение | | |
|--|----------|-------|-------|
| | 27903 | 27904 | 27911 |
| Длина насадки, мм | 600 | 600 | 600 |
| Плавный пуск | + | + | + |
| Поддержание оборотов под нагрузкой | - | + | + |
| Фиксатор кнопки пуска | + | + | + |
| Уровень акустического шума, дБ | 97,2 | 96,7 | 98,4 |
| Общий уровень вибрации, м/с ² | 3,2 | 3,2 | 3,1 |
| Масса изделия нетто, кг | 5 | 5 | 7 |
| Масса изделия брутто, кг | 6 | 6 | 8 |

СИМВОЛЫ БЕЗОПАСНОСТИ

Следующие определения указывают на степень важности каждого ключевого слова. Прочтите руководство по эксплуатации и обратите внимание на данные символы.

| | |
|---|--|
|  | ВНИМАНИЕ! Означает потенциально опасную ситуацию, которая может привести к получению травмы или порче оборудования. |
|  | Риск поражения электрическим током! |
|  | Огнеопасность! |
|  | ВНИМАНИЕ! Внимательно прочтите руководство по эксплуатации для снижения риска получения травмы. |

ОБЩИЕ ПРАВИЛА БЕЗОПАСНОСТИ ПРИ РАБОТЕ С ЭЛЕКТРОИНСТРУМЕНТАМИ

| | |
|--|---|
|  | ВНИМАНИЕ! Перед началом работы внимательно прочтите все правила безопасности и инструкции. Несоблюдение всех перечисленных ниже правил безопасности и инструкций может привести к поражению электрическим током, возникновению пожара и/или получению тяжелой травмы. |
|--|---|

Сохраните все правила безопасности и инструкции для последующего использования

Термин «Электроинструмент» во всех приведенных ниже указаниях относится к вашему сетевому (с кабелем) или аккумуляторному (беспроводному) электроинструменту.

Безопасность рабочего места

- Содержите рабочее место в чистоте и обеспечьте хорошее освещение. Плохое освещение или беспорядок на рабочем месте может привести к несчастному случаю.
- Не используйте электроинструменты, если есть опасность возгорания или взрыва, например, вблизи легко воспламеняющихся жидкостей, газов или пыли. В процессе работы электроинструменты создают искровые разряды, которые могут воспламенить пыль или горючие пары.

в) Во время работы с электроинструментом не подпускайте близко детей или посторонних лиц. Отвлечение внимания может вызвать у вас потерю контроля над рабочим процессом.

Электробезопасность

- а) Вилка кабеля электроинструмента должна соответствовать штепсельной розетке. Ни в коем случае не видоизменяйте вилку электрического кабеля. Не используйте соединительные штепсели-переходники, если в силовом кабеле электроинструмента есть провод заземления. Использование оригинальной вилки кабеля и соответствующей ей штепсельной розетки уменьшает риск поражения электрическим током.
- б) Во время работы с электроинструментом избегайте физического контакта с заземленными объектами, такими как трубопроводы, радиаторы отопления, электроплиты и холодильники. Риск поражения электрическим током увеличивается, если ваше тело заземлено.
- в) Не используйте электроинструмент под дождем или во влажной среде. Попадание воды в электроинструмент увеличивает риск поражения электрическим током.
- г) Бережно обращайтесь с электрическим кабелем. Ни в коем случае не используйте кабель для переноски электроинструмента или для вытягивания его вилки из штепсельной розетки. Не подвергайте электрический кабель воздействию высоких температур и смазочных веществ; держите его в стороне от острых кромок и движущихся частей инструмента. Поврежденный или запутанный кабель увеличивает риск поражения электрическим током.
- д) При работе с электроинструментом на открытом воздухе используйте удлинительный кабель, предназначенный для наружных работ. Использование кабеля, пригодного для работы на открытом воздухе, снижает риск поражения электрическим током.
- е) При необходимости работы с электроинструментом во влажной среде используйте источник питания, оборудованный устройством защитного отключения (УЗО). Использование УЗО снижает риск поражения электрическим током.



ВНИМАНИЕ!

Рекомендуется использование устройства защитного отключения (УЗО) с током срабатывания не более 30 мА.

Личная безопасность

- а) При работе с электроинструментами будьте внимательны, следите за тем, что вы делаете, и руководствуйтесь здравым смыслом. Не используйте электроинструмент, если вы устали, а также находясь под действием алкоголя или понижающих реакцию лекарственных препаратов и других средств. Малейшая неосторожность при работе с электроинструментами может привести к серьезной травме.
- б) При работе используйте средства индивидуальной защиты. Всегда надевайте защитные очки. Своевременное использование защитного снаряжения, а именно: пылезащитной маски, ботинок на нескользящей подошве, защитного шлема или противошумовых наушников – значительно снизит риск получения травмы.
- в) Не допускайте непреднамеренного запуска. Перед тем как подключить электроинструмент к сети и/или аккумулятору, поднять или перенести его, убедитесь, что выключатель находится в положении «Выключено». Не переносите электроинструмент с нажатым курковым выключателем и не подключайте к сетевой розетке электроинструмент, выключатель которого установлен в положение «Включено», это может привести к несчастному случаю.
- г) Перед включением электроинструмента снимите с него все регулировочные или гаечные ключи. Регулировочный или гаечный ключ, оставленный закрепленным на вращающейся части электроинструмента, может стать причиной тяжелой травмы.
- д) Работайте в устойчивой позе. Всегда сохраняйте равновесие и устойчивую позу. Это позволит вам не потерять контроль при работе с электроинструментом в непредвиденной ситуации.
- е) Одевайтесь соответствующим образом. Во время работы не надевайте свободную одежду или украшения. Следите за тем, чтобы ваши волосы, одежда или перчатки находились в постоянном отдалении от движущихся частей инструмента. Свободная одежда, украшения или длинные волосы могут попасть в движущиеся части инструмента.

ж) Если электроинструмент снабжен устройством сбора и удаления пыли, убедитесь, что данное устройство подключено и используется надлежащим образом. Использование устройства пылеудаления значительно снижает риск возникновения несчастного случая, связанного с запыленностью рабочего пространства.

Использование электроинструментов и технический уход

- а) Не перегружайте электроинструмент. Используйте ваш инструмент по назначению. Электроинструмент работает надежно и безопасно только при соблюдении параметров, указанных в его технических характеристиках.
- б) Не используйте электроинструмент, если его выключатель не устанавливается в положение «Включено» или «Выключено». Электроинструмент с неисправным выключателем представляет опасность и подлежит ремонту.
- в) Отключайте электроинструмент от сетевой розетки и/или извлекайте аккумулятор перед регулированием, заменой принадлежностей или при хранении электроинструмента. Такие меры предосторожности снижают риск случайного включения электроинструмента.
- г) Храните неиспользуемые электроинструменты в недоступном для детей месте и не позволяйте лицам, не знакомым с электроинструментом или данными инструкциями, работать с электроинструментом. Электроинструменты представляют опасность в руках неопытных пользователей.
- д) Регулярно контролируйте исправность электроинструмента. Проверяйте точность совмещения и легкость перемещения подвижных частей, целостность деталей и любых других элементов электроинструмента, воздействующих на его работу. Не используйте неисправный электроинструмент, пока он не будет полностью отремонтирован. Большинство несчастных случаев являются следствием недостаточного технического ухода за электроинструментом.
- е) Используйте электроинструмент, аксессуары и насадки в соответствии с данным Руководством и с учетом рабочих условий и характера будущей работы. Использование электроинструмента не по назначению может создать опасную ситуацию.

Техническое обслуживание

Ремонт вашего электроинструмента должен производиться только квалифицированными специалистами с использованием оригинальных запасных частей. Это обеспечит безопасность и надежность электроинструмента в дальнейшей эксплуатации.

Дополнительные меры безопасности для строительных электрических миксеров

- а) При работе крепко держите миксер за обе ручки. При несоблюдении этого правила работа электроинструмента становится опасной.
- б) Запрещается перемешивать растворители и продукты, содержащие растворители, поскольку при температуре выше 21 °C возникает риск воспламенения.
- в) Держите шнур питания в стороне от вращающейся оснастки. Если вы потеряете контроль над электрической машиной, то шнур питания может быть перерезан или захвачен вращающейся оснасткой.
- г) При заклинивании насадки немедленно выключите миксер.
- д) Включать и выключать машину можно только внутри емкости с перемешиваемым составом, неподвижность которой должна быть обеспечена.
- е) В процессе работы в емкость с перемешиваемым составом запрещается опускать руки. Во избежание поломки оборудования не следует опускать в емкость какие-либо предметы.
- ж) При эксплуатации следует погружать рабочую часть машины в перемешиваемый состав при малой скорости вращения насадки во избежание разбрызгивания перемешиваемого состава. В процессе работы, когда насадки полностью погружены в перемешиваемый состав, рекомендуется увеличивать скорость вращения до максимальной для лучшего охлаждения двигателя. Извлекать рабочую часть машины из перемешиваемого состава рекомендуется при минимальной частоте вращения.
- з) Только после полной остановки машины ее можно выпускать из рук.

и) Следите за исправным состоянием двигателя. В случае отказа, появления подозрительных запахов, характерных для горелой изоляции, сильного шума, стука, искр, следует немедленно выключить машину и обратиться в сервисный центр.

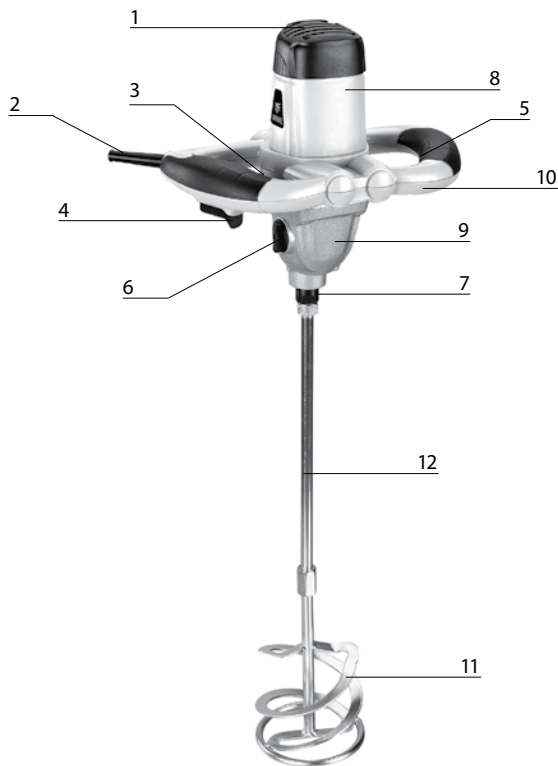
Остаточные риски

Несмотря на соблюдение соответствующих инструкций по технике безопасности и использование предохранительных устройств, некоторые остаточные риски невозможно полностью исключить. К ним относятся:

- Травмы в результате касания вращающихся частей инструмента.
- Риск защемления пальцев при смене рабочей оснастки.
- Ущерб здоровью в результате воздействия вибрации, возникающей при работе.

УСТРОЙСТВО И ПРИНЦИП РАБОТЫ

Общий вид машины представлен на рисунке 1.



1. Вентиляционные отверстия
2. Кабель питания
3. Кнопка фиксации выключателя
4. Клавиша выключателя
5. Регулятор скорости
6. Переключатель диапазона скоростей
7. Шпиндель
8. Корпус электродвигателя
9. Корпус редуктора
10. Рукоятка
11. Венчик шнека
12. Штанга шнека

Рис. 1

Описание

Миксер ручной строительный электрический представляет собой машину вращательного действия, состоящую из электропривода и редуктора, на выходном валу которого предусмотрена возможность закрепления оснастки. Электроприводом служит коллекторный двигатель переменного тока, размещенный в пластмассовом корпусе. Управление двигателем осуществляется с помощью выключателя 4 (рис. 1) и регулятора скорости 5 (рис. 1).

Машина оборудована двумя рукоятками, позволяющими комфортно удерживать инструмент, обеспечивая удобство при работе.

ЭКСПЛУАТАЦИЯ



ВНИМАНИЕ!

Перед работами по подготовке к эксплуатации, настройке, техническому обслуживанию электроинструмента всегда отключайте питающий кабель от электросети.

Установка/снятие оснастки



ВНИМАНИЕ!

При установке, снятии, замене оснастки отключите штепсельную вилку от сети питания. Случайное включение машины при смене оснастки может привести к серьезной травме и поломке оборудования.

Для моделей EM-1-1220, EM-1-1600 соедините венчик шнека 11 (рис. 1) со штангой 12 (рис. 1). Собранный насадку-смеситель установите на шпindel изделия. Удерживая шпindel привода 7 (рис. 1) гаечным ключом, крепко закрутите вторым гаечным ключом штангу шнека 12 (рис. 1) и венчик шнека 11 (рис. 1).



ВНИМАНИЕ!

Во избежание выхода из строя двигателя машины и получения травм запрещается затягивать резьбовые соединения насадок, включая двигатель.

Подключение к сети



ВНИМАНИЕ!

Электроинструмент следует подключать только к однофазной сети переменного тока, напряжение которой соответствует напряжению, указанному на табличке характеристик, размещенной на корпусе инструмента. Если на табличке характеристик указано напряжение 230 В, то электроинструмент также можно включать в сеть напряжением 220 В.

При работе на улице используйте удлинители промышленного изготовления, предназначенные для использования вне помещений. Не используйте самодельные удлинители. При работе вне помещений подключайте электроинструмент к цепи питания, снабженной дифференциальным автоматом с током срабатывания не более 30 мА, это снизит вероятность удара электрическим током.

При подключении убедитесь в целостности изоляции электрического кабеля и сетевой вилки машины. Убедитесь, что выключатель питания машины находится в положении «Выключено».

Данный электроинструмент можно подключать к розеткам, не имеющим защитного заземления, поскольку он имеет двойную изоляцию (класс защиты II).

Регулировка частоты вращения насадки

В зависимости от вида смешиваемого материала можно выбрать оптимальную частоту вращения шпинделя машины. Регулировка осуществляется от минимального до максимального значения, указанных в табл. 1, путем вращения регулятора скорости 5 (рис. 1). Изменять частоту вращения можно при работающем двигателе, в том числе под нагрузкой.

Менять установку переключателя диапазона скоростей 6 (рис. 1) можно лишь после полной остановки шпинделя.

Переключатель диапазона скоростей 6 (рис. 1) имеет 2 режима:

- Низкая скорость: переключатель 6 (рис. 1) должен находиться на отметке I.
- Высокая скорость: переключатель 6 (рис. 1) должен находиться на отметке II.

Переключатель диапазона скоростей расположен на боковой поверхности корпуса редуктора 9 (рис.1) и приводится в действие путем его поворота. При изменении скорости не следует чрезмерно прикладывать

силу к переключателю. При возникновении трудностей плавно поверните шпindelь смесителя, чтобы обеспечить зацепление зубьев.



ВНИМАНИЕ!

Не перегружайте машину, работающую на пониженных оборотах. При снижении частоты вращения ротора двигателя ухудшается охлаждение машины.

Перед началом эксплуатации необходимо:

- осмотреть машину и убедиться в ее комплектности и отсутствии внешних повреждений;
- убедиться в корректности работы выключателя питания;
- после транспортировки в зимних условиях перед включением выдержать машину при комнатной температуре до полного высыхания конденсата.

Приступая к работе, следует:

- проверить надежность фиксации оснастки;
- убедиться в том, что клавиша выключателя питания находится в положении «Выключено», после чего подключить машину к сети питания;
- опробовать работу машины на холостом ходу (обратить внимание на равномерность вращения и биение насадок).

Для включения машины необходимо нажать клавишу выключателя 4 (рис. 1). При необходимости клавиша выключателя питания 4 (рис. 1) может быть зафиксирована в положении «Включено», для этого при нажатой клавише 4 (рис. 1) нажмите кнопку фиксации выключателя 3 (рис. 1), и клавиша будет зафиксирована. Для отключения машины повторно нажмите клавишу 4 (рис. 1).

Рекомендация: опробуйте работу механизма фиксации клавиши выключателя 4 (рис. 1) до подключения машины к сети питания.

Во время работы:

- не перегружайте машину, следите за нагревом корпуса двигателя, своевременно делайте перерывы в работе, обеспечьте эффективное охлаждение машины;
- не допускайте механических повреждений, ударов, падения машины на твердые поверхности и т.п.;
- оберегайте машину от воздействия интенсивных источников тепла или химически активных веществ, а также от попадания жидкостей и посторонних твердых предметов внутрь машины;
- не перекрывайте и не загораживайте вентиляционные отверстия в корпусе машины;
- выключайте машину с помощью выключателя перед подключением/отключением от сети электропитания.



ВНИМАНИЕ!

Избегайте разбрызгивания перемешиваемого материала. Вы можете поскользнуться, и смеситель выйдет из-под контроля.

По окончании работы:

- отключите машину от электросети, убедившись, что выключатель находится в положении «Выключено»;
- очистите машину и ее дополнительные принадлежности от грязи и остатков смеси.

Рекомендации по эксплуатации

Не рекомендуется использовать инструмент общей длиной более 1,5 м ввиду опасности возникновения дисбаланса и повышенного биения шпинделя.

Убедитесь, что емкость со смешиваемой субстанцией установлена неподвижно или надежно закреплена.

Не допускайте попадания в перемешиваемый состав посторонних твердых предметов в процессе работы.

Для лучшего перемешивания состава перемещайте рабочую часть машины в составе во всех направлениях.

При извлечении рабочей части машины из перемешиваемого состава уменьшайте скорость вращения насадок или выключайте двигатель миксера.

Не допускайте перегрева наружных частей машины при длительной работе. При чрезмерном нагреве прекратите работу, дайте машине поработать без нагрузки в течение 1...2 минут для охлаждения двигателя, выключите двигатель и сделайте перерыв до остывания корпуса редуктора.

Не допускайте работу машины при появлении посторонних или нехарактерных шумов в двигателе или механизме. При появлении шумов выключите машину и обратитесь в авторизованный сервис.

Не допускайте работу машины при появлении видимых вспышек в вентиляционных отверстиях двигателя, прекратите работу и обратитесь в сервисный центр для диагностики и, возможно, замены угольных щеток.

ШУМ И ВИБРАЦИЯ

Шумовые и вибрационные характеристики приведены в таблице 1.

Однако если машина будет использована для выполнения других работ с применением оснастки, не предусмотренной изготовителем, или техническое обслуживание не будет отвечать предписаниям, то уровень вибрации может быть иным.



ВНИМАНИЕ!

Всегда применяйте средства индивидуальной защиты органов слуха.

ОБСЛУЖИВАНИЕ



ВНИМАНИЕ!

Перед началом работ по обслуживанию машины отсоедините вилку шнура питания от штепсельной розетки. Для обеспечения качественной и безопасной работы следует постоянно содержать электроинструмент и вентиляционные отверстия в чистоте.

- Если вы заметили снижение частоты вращения оснастки или посторонний шум при работе, то необходимо сдать устройство в центр технического обслуживания для его диагностики и ремонта.
- Обслуживание оснастки. Использование изношенного сменного инструмента снижает эффективность выполняемой работы и может привести к выходу из строя мотора или редуктора, поэтому необходимо периодически заменять износившуюся оснастку, как только в этом появляется необходимость.
- Уход за электродвигателем. Необходимо особенно бережно относиться к электродвигателю, не допускать попадания жидкостей и посторонних предметов внутрь корпуса. Следите за чистотой вентиляционных отверстий, регулярно продувайте их сжатым воздухом или очищайте щеткой. При появлении заметных искр в вентиляционных отверстиях корпуса двигателя обратитесь в авторизованный сервисный центр для диагностики и, возможно, замены угольных щеток.

Для предотвращения попадания пыли и вытекания смазки машина имеет герметичный корпус редуктора. Поэтому устройство может использоваться продолжительное время без необходимости замены или добавления смазки. После первоначального пуска в эксплуатацию меняйте смазку раз в 6 месяцев эксплуатации. Для замены смазки обратитесь в центр технического обслуживания.

В случае любого повреждения шнура питания немедленно выключите машину, аккуратно, не касаясь мест повреждения, отключите ее от электросети.



ВНИМАНИЕ!

В машинах используется шнур питания с креплением типа Y: в целях безопасности его замену должен осуществлять персонал уполномоченных ремонтных мастерских.

Возможные неисправности

| Неисправность | Вероятная причина | Метод устранения |
|---|--|---------------------------------------|
| Инструмент не включается. | Обрыв шнура питания или монтажных проводов, неисправность вилки шнура питания. | Обратиться в сервисный центр. |
| | Неисправен выключатель. | Обратиться в сервисный центр. |
| | Износ щеток. | Обратиться в сервисный центр. |
| Образование кругового огня на коллекторе. | Неисправность в обмотке якоря. | Обратиться в сервисный центр. |
| | Износ/"зависание" щеток. | Обратиться в сервисный центр. |
| Повышенный шум в редукторе. | Износ/поломка деталей механизма. | Обратиться в сервисный центр. |
| При работе из вентиляционных отверстий появляется дым или запах горелой изоляции. | Межвитковое замыкание обмоток якоря или статора. | Обратиться в сервисный центр. |
| | Неисправность электрической части инструмента. | Обратиться в сервисный центр. |
| Повышенная вибрация машины. | Износ/поломка зубчатых колес или подшипников. | Обратиться в сервисный центр. |
| | Неисправная или неправильно установленная оснастка. | Заменить или переустановить оснастку. |

Техническое обслуживание проводить в специализированных сервисных центрах. Список сервисных центров представлен на сайте <http://ipsremont.ru/kontakty/>.

УТИЛИЗАЦИЯ

Машина, выработавшая назначенный срок службы, подлежит утилизации в соответствии с правилами, установленными природоохранным и иным законодательством страны, в которой эксплуатируется машина.

ТРАНСПОРТИРОВКА

Во время транспортировки недопустимо прямое воздействие осадков, прямых солнечных лучей, нагрева и ударов. Транспортировка должна осуществляться только в фирменной упаковке при температуре окружающей среды от -20 °С до + 40 °С.

ХРАНЕНИЕ

Во время назначенного срока службы храните машину в сухом отапливаемом помещении. Рекомендуемая температура хранения от 0 °С до + 40 °С. Храните машину в фирменной упаковке.

Перед помещением машины на хранение снимите рабочую оснастку.

СРОК СЛУЖБЫ

Средний срок службы изделия при условии соблюдения потребителем правил эксплуатации составляет 5 лет.

ГАРАНТИЙНЫЕ ОБЯЗАТЕЛЬСТВА

На изделие распространяется гарантия производителя.

Период гарантийного обслуживания указан в гарантийном талоне и исчисляется с момента продажи. Правила гарантийного обслуживания приведены в гарантийном талоне.

ИМПОРТЕР

Импортер и продавец в РФ: ООО «МИР ИНСТРУМЕНТА», 142703, РФ, МО, г. Видное, ул. Радиальная 3-я, д. 8, пом. 1-Н, ком. 2; в РК: ТОО «Мир инструмента-Алматы», РК, Алматинская обл., Карасайский р-н, Ельтайский с/о, с. Береке. Телефон: +7 (495) 234-41-30.

Продукция соответствует требованиям:

ТР ТС 010/2011 «О безопасности машин и оборудования»,

ТР ТС 020/2011 «Электромагнитная совместимость технических средств»,

ТР ТС 004/2011 «О безопасности низковольтного оборудования».



Гарантийный талон

срок гарантии 12 месяцев

с возможностью расширенной
гарантии до 36 месяцев

ВНИМАНИЕ!

**Пожалуйста, требуйте от продавца полностью заполнить все поля
гарантийного талона.**

Наименование изделия:

Серийный номер:

Дата продажи:

Наименование и адрес торговой организации:

Изделие проверено в присутствии потребителя:

Печать торговой организации и подпись продавца:

Благодарим вас за приобретение нашей продукции. Фирма-изготовитель предоставляет на приобретенное вами изделие настоящую гарантию сроком на 12 месяцев со дня продажи.

ВНИМАНИЕ! ИЗДЕЛИЕ В ГАРАНТИЙНУЮ МАСТЕРСКУЮ СДАЕТСЯ В ЧИСТОМ ВИДЕ.

Гарантийные обязательства компании ООО «МИР ИНСТРУМЕНТА»

При покупке изделия требуйте проверки его комплектности и исправности в вашем присутствии, инструкцию по эксплуатации на русском языке и заполненный гарантийный талон. При отсутствии у вас правильно заполненного гарантийного талона мы будем вынуждены отклонить ваши претензии по качеству данного изделия.

Перед началом работы с данным изделием следует внимательно ознакомиться с инструкцией по эксплуатации.

Все условия гарантии соответствуют действующему законодательству РФ.

Базовая гарантия

Гарантийный срок на данное изделие составляет 12 месяцев и исчисляется со дня продажи конечному потребителю.

В случае устранения недостатков товара гарантийный срок на него продлевается на период, в течение которого товар не использовался. Указанный период исчисляется со дня обращения потребителя с требованием об устранении недостатков товара до дня выдачи его по окончании ремонта.

Гарантийные обязательства распространяются только на неисправности, выявленные в течение гарантийного срока и обусловленные производственными или конструктивными факторами.

Расширенная гарантия

Гарантийный срок может быть продлен до 36 месяцев при условии безусловного бытового применения. Расширенная гарантия предоставляется только при условии, если владелец регистрирует инструмент на сайте компании «МИР ИНСТРУМЕНТА» www.instrument.ru в разделе «Сервис» в течение 4 недель с момента приобретения.

Подтверждением участия в программе расширенной гарантии конкретного инструмента и корректной регистрации инструмента является регистрационный сертификат, который следует распечатать на принтере во время регистрации. Регистрация возможна только после подтверждения покупателем согласия на сохранение личных данных, запрашиваемых в процессе регистрации.

Гарантия не распространяется в следующих случаях:

- Если детали были подвержены рабочему и другим видам естественного износа, а также при неисправности инструмента, вызванной данными видами износа.
- Неисправности инструмента, вызванные несоблюдением инструкций по эксплуатации или произошедшие в результате использования инструмента не по назначению, во время использования при неблагоприятных условиях окружающей среды, ненадлежащих производственных условиях, вследствие перегрузок или недостаточного, ненадлежащего технического обслуживания или ухода.
- Использование изделия в условиях высокой интенсивности работ и сверхтяжелых нагрузок. К безусловным признакам перегрузки изделия относятся, помимо прочих, появление цветов побежалости, деформация или оплавление деталей и узлов изделия, потемнение или обугливание изоляции проводов под воздействием высокой температуры.
- Механические повреждения (трещины, сколы и т.д.) и повреждения, вызванные воздействием агрессивных сред, высокой влажности и высоких температур, попаданием инородных предметов в вентиляционные отверстия электроинструмента, а также повреждения, наступившие вследствие коррозии металлических частей и неправильного хранения.
- Естественный износ принадлежностей, быстроизнашивающихся частей и расходных материалов, таких как приводные ремни, аккумуляторные батареи, стволы, направляющие ролики, защитные кожухи, цанги, патроны, подошвы, пыльные цепи, пыльные шины, звездочки, шины, угольные щетки, ножи, пилки, абразивы, сверла, буры, лески для триммера и т.п.
- Вскрытие, ремонт или модификация инструмента вне уполномоченного сервисного центра.
- Стихийное бедствие.
- Неблагоприятные атмосферные и иные внешние воздействия на изделие, такие как дождь, снег, повышенная влажность, нагрев, агрессивные среды.
- Использование принадлежностей, расходных материалов и запасных частей, ГСМ, не рекомендованных производителем.

Средний срок службы изделия — 5 лет.

Устранение неисправностей, признанных как гарантийный случай, осуществляется на выбор компании посредством ремонта или замены неисправного инструмента на новый (возможно, на модель следующего поколения). Замененные инструменты и детали переходят в собственность компании.

Гарантийные претензии принимаются в течение гарантийного срока. Для этого необходимо предъявить или отправить неисправный инструмент в указанный в документации (на сайте ipsremont.ru) сервисный центр, приложив заполненный гарантийный талон, подтверждающий дату покупки товара и его наименование. В случае действия расширенной 36-месячной гарантии на основании упомянутой выше регистрации, к инструменту следует приложить и регистрационный сертификат расширенной гарантии. Инструмент, отправленный дилеру или в сервисный центр в частично или полностью разобранном виде, под действие гарантии не подпадает. Все риски по пересылке инструмента дилеру или в сервисный центр несет владелец инструмента.

Другие претензии, кроме упомянутого права на бесплатное устранение недостатков инструмента, под действие гарантии не подпадают. После гарантийного ремонта на условиях расширенной гарантии срок расширенной гарантии инструмента не продлевается и не возобновляется.

С уважением, компания ООО «МИР ИНСТРУМЕНТА»

Изделие проверялось в моем присутствии, исправно, укомплектовано, внешний вид без повреждений. Всю необходимую для пользования данным изделием информацию и руководство от продавца получил, с условиями гарантии ознакомлен и согласен, правильность заполнения гарантийного талона проверил.

_____ Подпись покупателя

Адреса и телефоны сервисных центров, обслуживающих продукцию компании ООО «МИР ИНСТРУМЕНТА», вы можете найти на сайте www.ipsremont.ru или уточнить в наших филиалах. Адреса и телефоны филиалов указаны на официальном сайте компании ООО «МИР ИНСТРУМЕНТА» www.instrument.ru.

Заполняется сервисным центром

Сервисный наряд № Дата поступления Дата выдачи Наименование сервиса Исполнитель Ф.И.О.

Печать сервисного центра и подпись ответственного лица

МП

Заполняется продавцом

Наименование изделия Серийный номер Дата продажи

МП

Печать торговой организации

Заполняется сервисным центром

Сервисный наряд № Дата поступления Дата выдачи Наименование сервиса Исполнитель Ф.И.О.

Печать сервисного центра и подпись ответственного лица

МП

Заполняется продавцом

Наименование изделия Серийный номер Дата продажи

МП

Печать торговой организации

Заполняется сервисным центром

Сервисный наряд № Дата поступления Дата выдачи Наименование сервиса Исполнитель Ф.И.О.

Печать сервисного центра и подпись ответственного лица

МП

Заполняется продавцом

Наименование изделия Серийный номер Дата продажи

МП

Печать торговой организации

Заполняется сервисным центром

Сервисный наряд №

Дата поступления

Дата выдачи

Наименование сервиса

Исполнитель Ф.И.О.

Контактная информация пользователя

Ф.И.О.:

Адрес:

Телефон:

Подпись покупателя _____ МП



Заполняется сервисным центром

Сервисный наряд №

Дата поступления

Дата выдачи

Наименование сервиса

Исполнитель Ф.И.О.

Контактная информация пользователя

Ф.И.О.:

Адрес:

Телефон:

Подпись покупателя _____ МП



Заполняется сервисным центром

Сервисный наряд №

Дата поступления

Дата выдачи

Наименование сервиса

Исполнитель Ф.И.О.

Контактная информация пользователя

Ф.И.О.:

Адрес:

Телефон:

Подпись покупателя _____ МП