

Milwaukee[®]
Nothing but **HEAVY DUTY**.[®]



M12 CLLP

GB	Original instructions	1
D	Originalbetriebsanleitung	14
F	Notice originale	27
I	Istruzioni originali	40
E	Manual original	53
P	Manual original	66
NL	Oorspronkelijke gebruiksaanwijzing	79
DK	Original brugsanvisning	92
N	Original bruksanvisning	105
S	Bruksanvisning i original	118
FIN	Alkuperäiset ohjeet	131
GR	Πρωτότυπο οδηγιών χρήσης	144
TR	Orijinal işletme talimatı	157
CZ	Původním návodem k používání	170
SK	Pôvodný návod na použitie	183
PL	Instrukcja oryginalna	196
HU	Eredeti használati utasítás	209
SLO	Izvirna navodila	222
HR	Originalne pogonske upute	235
LV	Instrukcijām oriģinālvalodā	248
LT	Originali instrukcija	261
EST	Algupärane kasutusjuhend	274
RUS	Оригинальное руководство по эксплуатации	287
BG	Оригинално ръководство за експлоатация	300
RO	Instrucțiuni de folosire originale	313
MK	Оригинален прирачник за работа	326
UKR	Оригінал інструкції з експлуатації	339
AR	التعليمات الأصلية	364

CONTENTS

Important safety instructions.....	1
Maintenance.....	2
Technical data.....	2
Specific conditions of use.....	2
Overview.....	3
Accessory.....	4
Replace batteries.....	4
Fuel gauge.....	5
Low battery indication.....	5
Track clip.....	5
Wall mount & green target plate.....	6
Working in self-leveling mode.....	7
Working in manual mode.....	8
Plumb function.....	9
Detector.....	9
Accuracy check.....	10

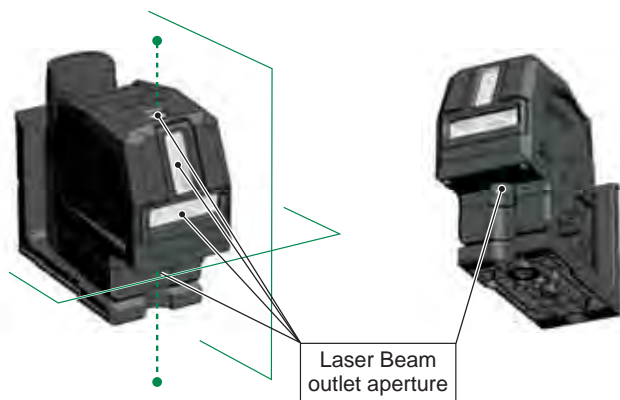
IMPORTANT SAFETY INSTRUCTIONS



CAUTION! WARNING! DANGER!

Do not use the product before you have studied the safety instructions and the user manual.

Laser Classification



WARNING:

It is a Class 2 laser product in accordance with EN60825-1:2014 .



WARNING:

Avoid direct eye exposure. The laser beam can cause severe eye damage and/or blindness.

Do not stare into the laser beam or direct it towards other people unnecessarily.

Caution! The laser emitting product may be behind you in some applications. Be careful when facing the product.

WARNING:

Do not operate the laser around children or allow children to operate the laser.

The reflective surface could reflect the beam back at the operator or other persons.

WARNING: Use of controls, adjustments, or the performance of procedures other than those specified in the manual may result in hazardous radiation exposure.

When the laser is brought into a warm environment from very cold conditions, or vice versa, allow it to come to the surrounding temperature before use.

Always store the cross laser indoors, avoid substantial knocks, continuous vibration or extreme temperatures.

Always keep the tool away from dust, liquids and high humidity. These may damage internal components or affect accuracy.

If laser radiation hits your eye, you must close your eyes and immediately turn your head away from the beam.

Do not position the laser beam so that it unintentionally blinds you or others.

Do not look into a laser beam using magnifying optical devices such as binoculars or a telescope, as this will increase the level of eye injury.

If you use laser goggles to enhance the visibility of the laser beam, please notice that they will not protect your eyes against laser radiation.

Do not remove or deface warning labels on the laser level.

Do not disassemble the laser level, laser radiation can cause serious eye injury.

When not in use, turn off the power, engage the pendulum lock and place the laser in its carrying pouch.

Make sure the pendulum lock mechanism is engaged before transporting the laser.

Note: If the pendulum lock mechanism is not engaged before transportation, internal mechanical damage may occur.

Do not use aggressive cleaning agents or solutions. Use only a clean, soft cloth for cleaning.

Avoid heavy impact to or dropping of the laser. The accuracy of the laser should be checked before use if it has been dropped or subjected to other mechanical stresses.

Any repair required on this laser product should be performed only by authorised service personnel.

Do not operate the product in explosion hazardous areas or in aggressive environments.

If the laser level is not in use for a long period of time, remove the batteries from the battery compartment. This will prevent batteries from leaking and corrosion damage.



Flat batteries must not be disposed of with household waste. Care for the environment and take them to the collection points provided in accordance with national or local regulations. The laser must not be disposed with household waste. Dispose of the product appropriately in accordance with the national regulations in force in your country. Adhere to the national and country specific regulations. Please contact your local authority or your dealer for how to dispose of batteries properly.

European Conformity Mark

MAINTENANCE

Wipe the aperture lens and the body of the cross laser with a clean soft cloth. Do not use solvents.

Although the cross laser is dust and dirt resistant to a certain degree, do not store in dusty places as long term exposure may damage internal moving parts.

If the cross laser is exposed to water, dry the laser level before returning it to the carrying case to prevent corrosion damage.

TECHNICAL DATA

Laser Class	2
Self-Leveling Range	± 4°
Self-Leveling Time	≤ 3 s
Battery technology	Li-Ion
Voltage DC	12 V ===
Protection class (water and dust protection)	IP54*
Max. altitude	2000 m
Relativ air humidity max.	80%
Pollution degree according to IEC 61010-1	2**
Pulse duration t_p	≤ 80 μs
Functions	horizontal, vertical, cross line, plumb function (2 points)
Frequency	10 kHz
Projections	2 lines green, 2 points green
Diode Quantity	2
Diode type	30 mW
Laser beams output pattern	Single horizontal, single vertical + 2 plumb dots up and down, cross line + 2 plumb dots (up and down).
Operating time	15 hrs with M12 3.0 Ah Battery
Tripod mount	1/4" / 5/8" thread
Suitable detector	Milwaukee LLD50

Laser Line	Width < 9.53mm @ 30m
	Wavelength 510 - 530 nm laser class II
	Max. Power ≤ 7 mW
	Accuracy +/- 3 mm / 10 m
	Fan angle vertical line > 120°; horizontal line > 114°
	Colour green
	Working Range 38 m (with detector 50 m)
Laser plumb	Laser point wavelength 510 - 530 nm laser class II
	Laser point max. power < 1 mW
	Plumb accuracy +/- 3 mm / 10 m
	Laser point colour green
	Working Range 30 m
Recommended ambient operating temperature	-10°C - +40 °C
Storage Temperature	-20°C - +50 °C
Recommended battery types	M12 B...
Dimensions	170 mm x 82 mm x 148 mm
Weight (incl. Battery)	1205 g

* The Lithium-ion battery and the battery compartment are excluded from IP 54.

** Only non-conductive deposits occur, whereby occasional temporary conductivity caused by condensation is expected.

SPECIFIC CONDITIONS OF USE

The product is designed for mainly indoor use. For outdoor use make sure that the boundary conditions are the same as for indoor use.

The laser is innovatively designed for a very broad range of professional jobs, including:

- Aligning tiles, marble, cabinets, borders, moldings and trimmings
- Marking layout for doors, windows, rails, stairs, fences, gates, decks and pergolas installation.
- Transferring reference point for light installations, vents, transfer of heights, levelling perimeter walls, wall studs, setting out tracks on floors and all other professional use.
- It is intended for determining and checking horizontal and vertical lines.

Do not use this product in any other way as stated for normal use.

OVERVIEW

Plumb spot up

Vertical laser beam window

Horizontal laser beam window

Mode button

Short press: choose between beams:

- horizontal
- vertical + plumb function
- cross lines + plumb function

Long press: switch normal mode / power save mode

LED indicator fuel gauge

20° micro adjustment (+/-10° from center)

Plumb spot down

5/8" tripod mount

1/4" tripod mount

Beam selector LED indicator

- horizontal
- vertical
- + cross line

M12 Battery

Marking for the horizontal beam

Rotation dial

- OFF Off / locked
- ON On / manual mode
- ON On / self leveling mode

Magnetic mount

Track clip



ENGLISH

3

ACCESSORY

Accessory - Not included in standard equipment, available as an accessory.

Clamp LM360



Detector LLD50

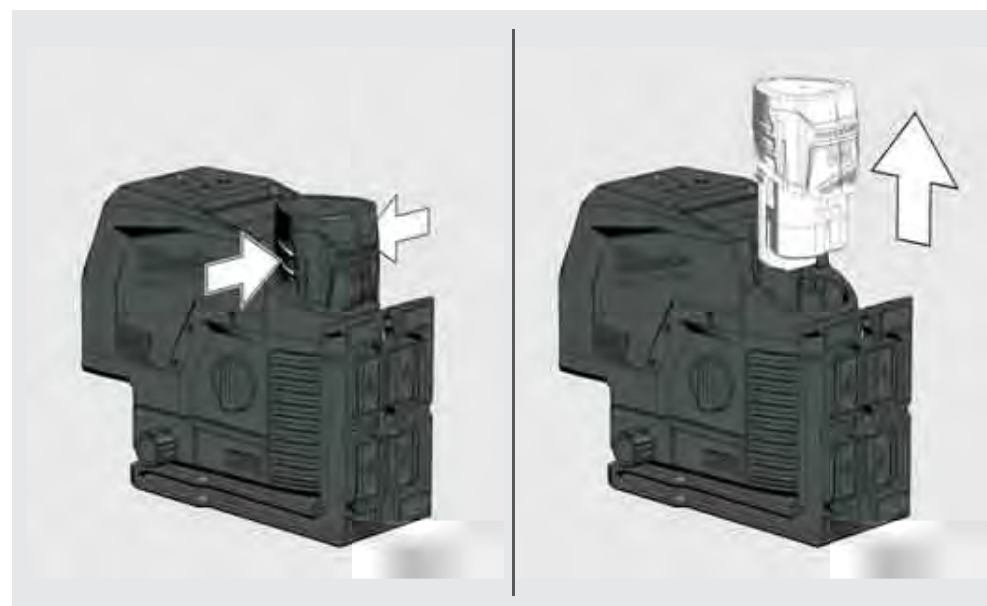
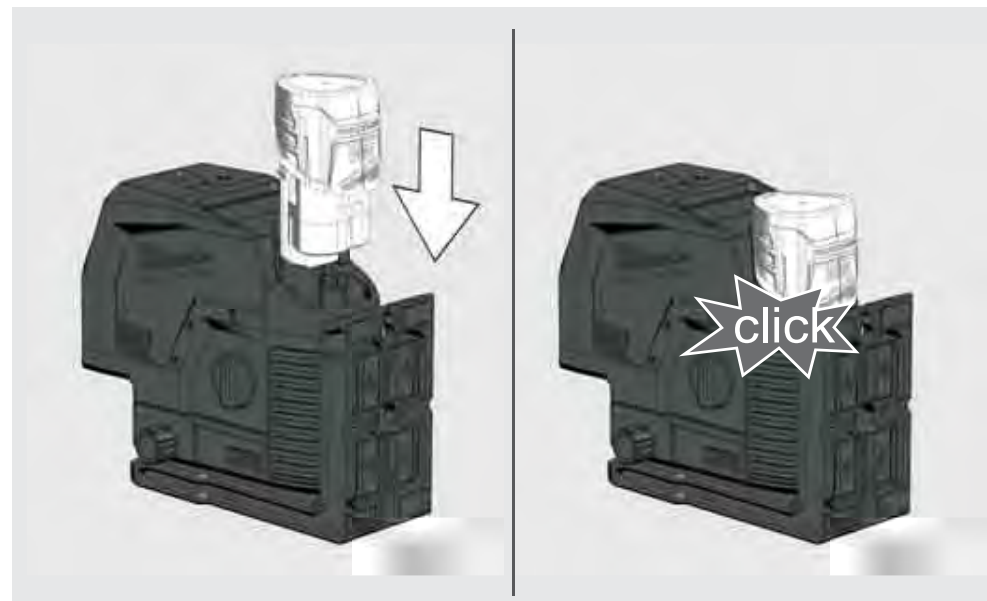


Tripod TRP180



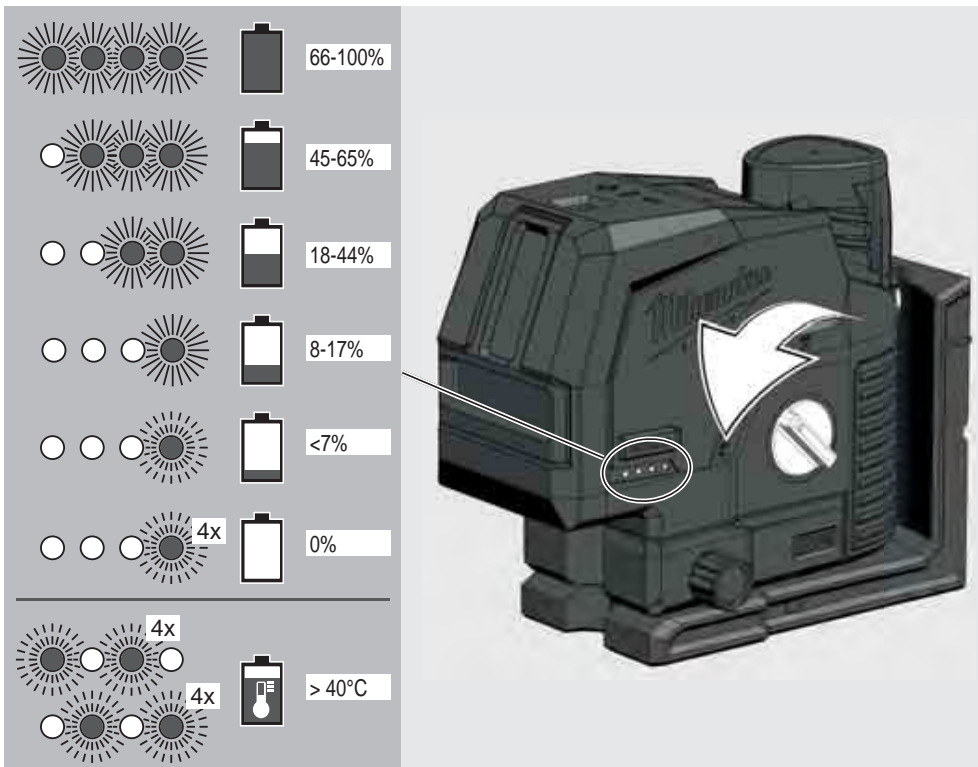
REPLACE BATTERIES

Only use Milwaukee M12 rechargeable batteries.



FUEL GAUGE

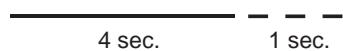
After switch on the laser the fuel gauge will display the battery life



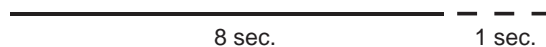
LOW BATTERY INDICATION

When the voltage is low, the laser switch to power safe mode.

The laser will blink in self leveling mode



The laser will blink in manual mode



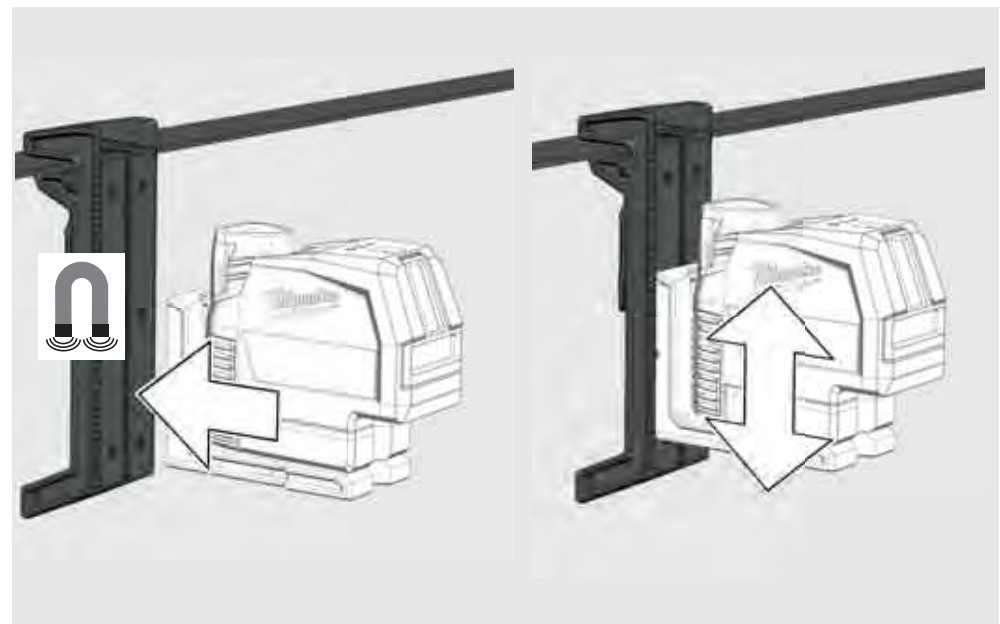
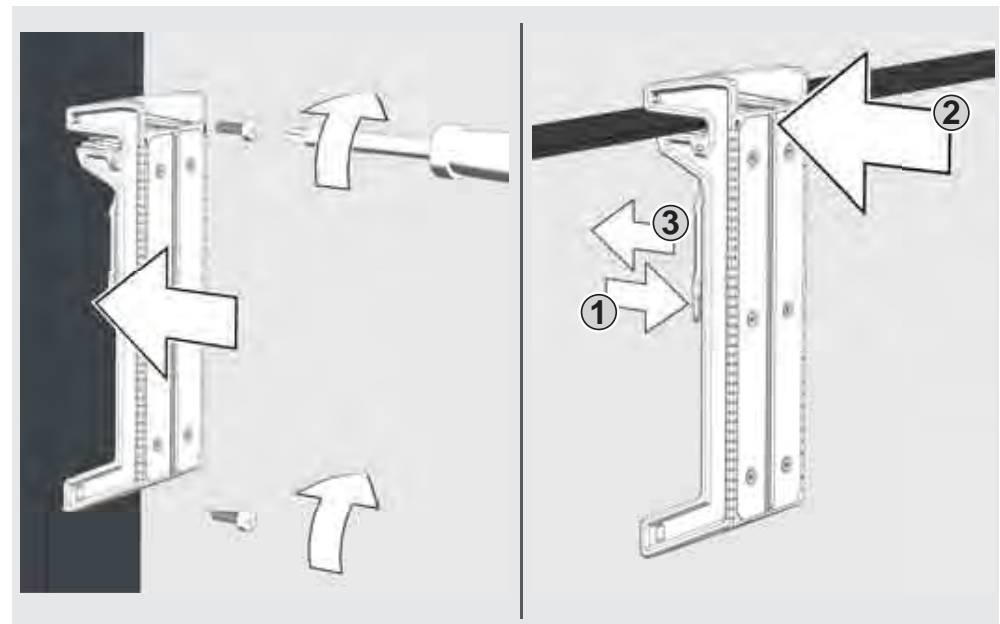
From now on it is still possible to continue the work.

When the voltage is too low, the laser and the LED will flash 4 times and it automatically shuts down.

TRACK CLIP

Fix the track clip with screws to a pillar.

Or clamp the track clip to ceiling channels, racks...

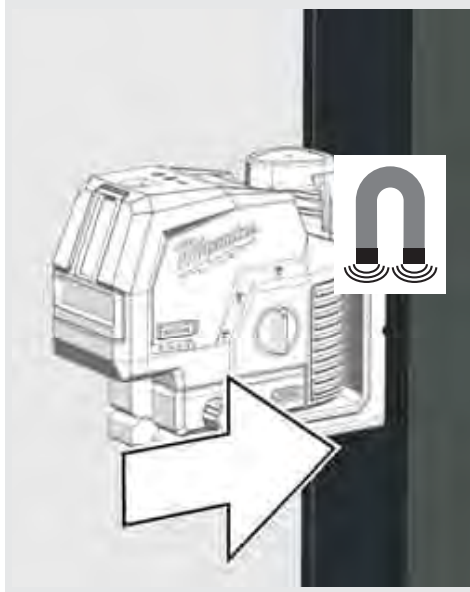


WALL MOUNT & GREEN TARGET PLATE

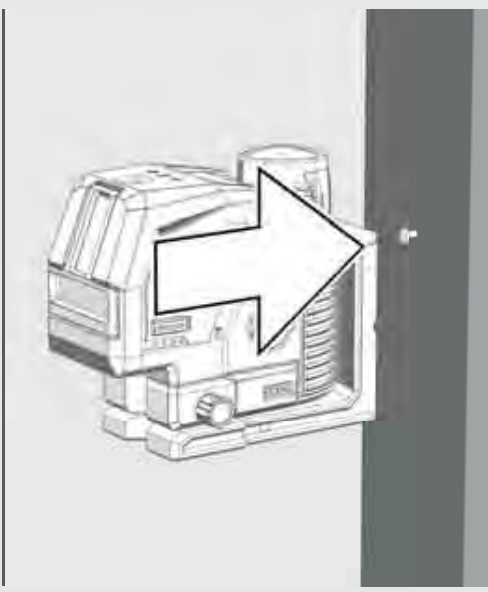
Use the magnetic wall mount to fix the laser to a wall or metallic structures or similar.

Or fix it with a screw or nail on a pillar

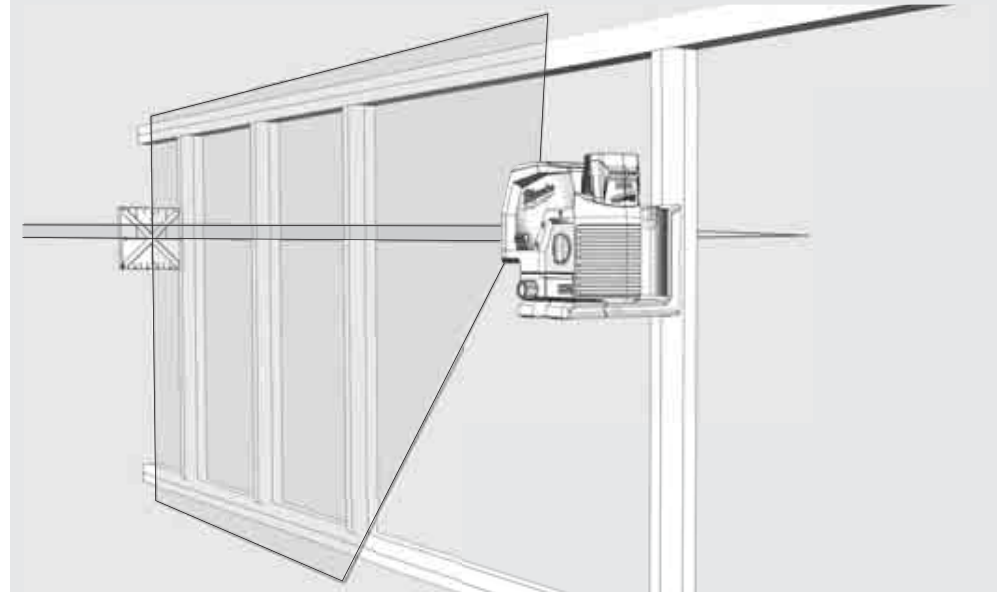
Use the green target plate to improve visibility of the laser beam in unfavourable conditions and at greater distances.



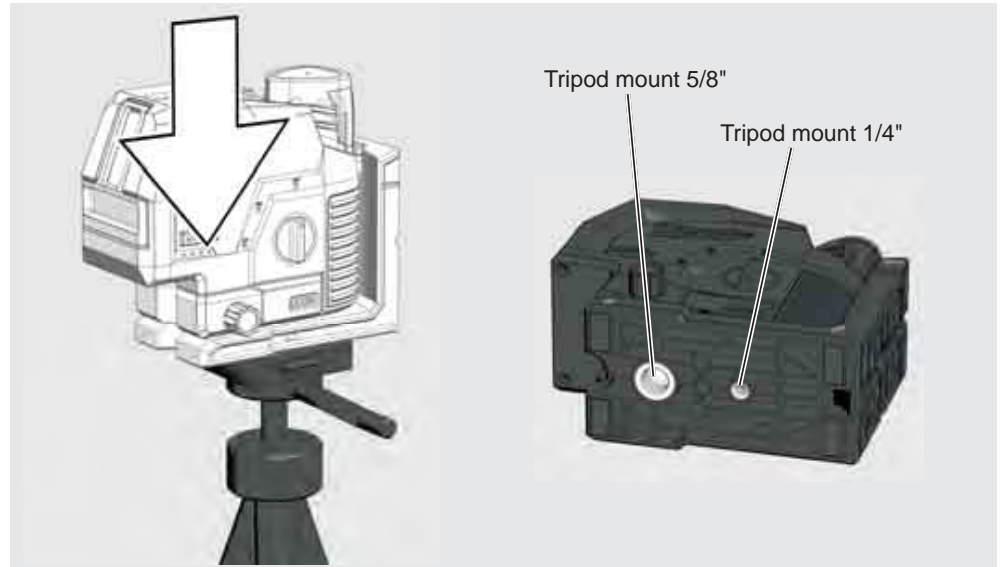
Turn the laser 360°.



Use the adjustment knob for 20° pivot micro adjustment



Use the tripod mount to fix the laser on a tripod

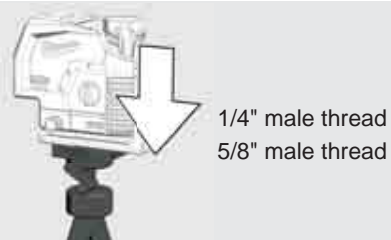


WORKING IN SELF-LEVELING MODE


In self-leveling mode the cross laser will level itself in a $\pm 4^\circ$ range and can project a horizontal beam, a vertical beam or both beams simultaneously + plumb dot up and down.

1

Place the cross laser on a solid flat vibration free surface or on a tripod.



2

Turn the rotation dial to: .

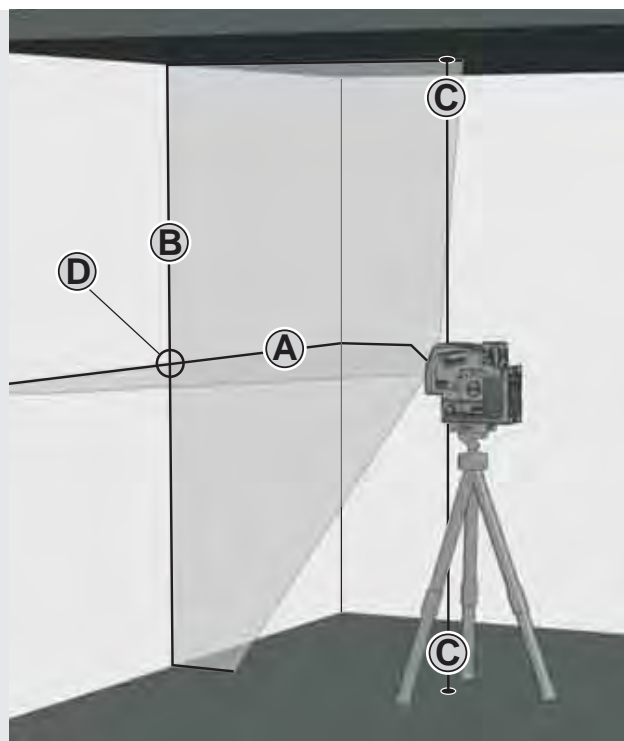


3

The cross laser will generate 2 laser beams.

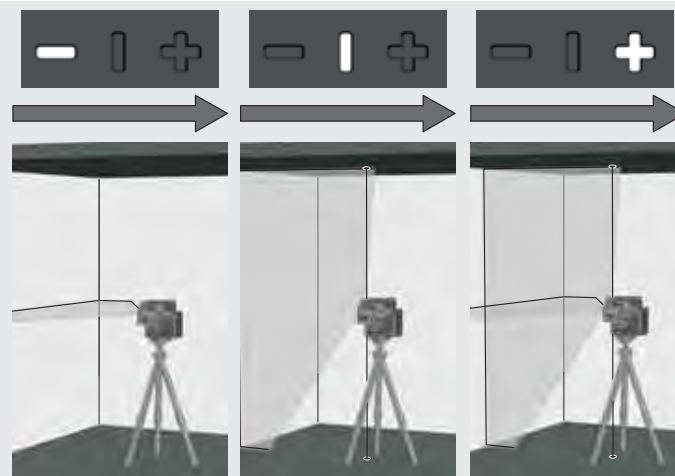
(A) horizontal beam forward
(B) vertical beam forward
(C) Laser point

(D) The cross laser will generate forward cross beam when all beams are activated.



4

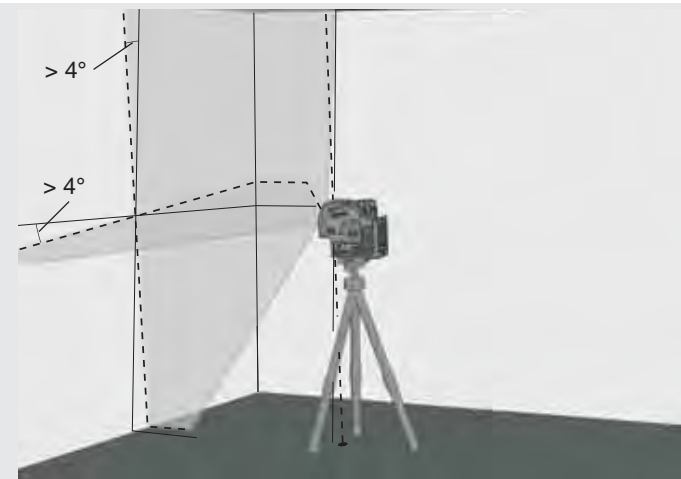
Choose the beams that you want to work with by pushing the MODE button.



5

If the initial level of the cross laser is beyond $\pm 4^\circ$ and the self-leveling mode is activated, the laser beams will flash

In this case reposition the cross laser.



6

Before moving the cross laser, turn the rotation dial to: **OFF**.

This will lock the pendulum and protect your cross laser.



WORKING IN MANUAL MODE


In manual mode the cross lasers self-leveling mechanism is disabled and the laser lines can be set at any slope required.

1

Place the cross laser on a solid flat vibration free surface or on a tripod.



2

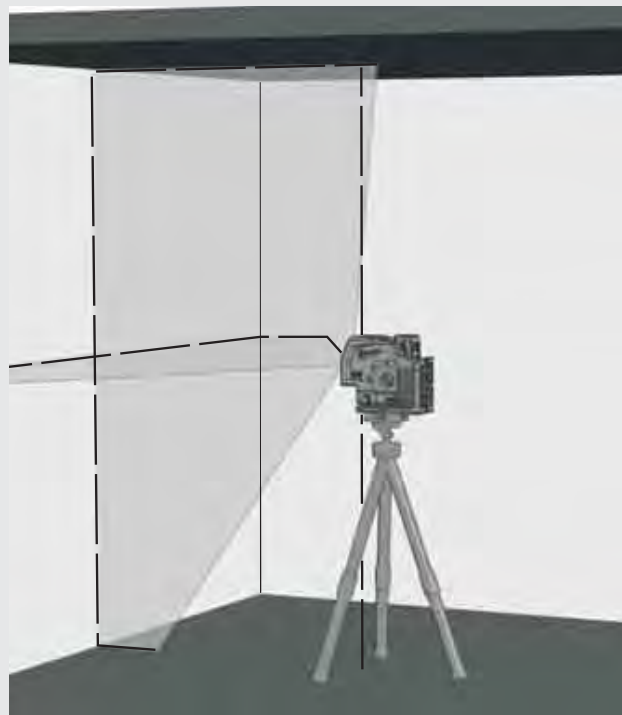
Turn the rotation dial to: 



3

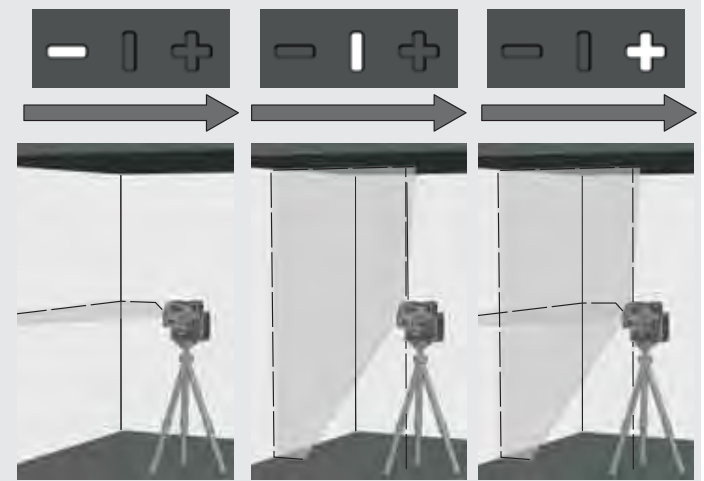
Same as in the self-leveling mode, the cross laser will generate 2 laser beams, but the laser beams are interrupted every 8 seconds.

8 sec. 8 sec. 8 sec.



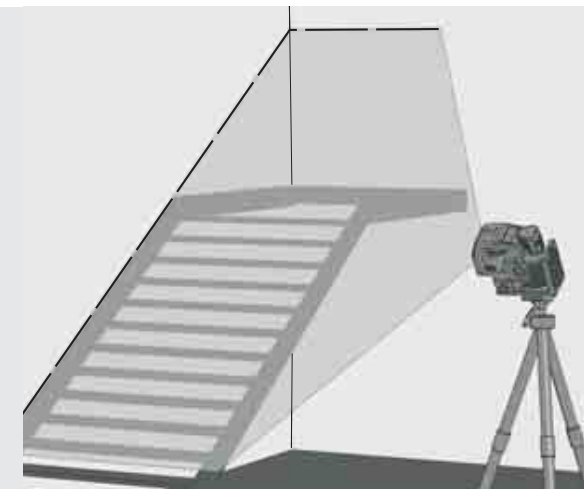
4

Choose the beams that you want to work with by pushing the MODE button.





5

Tilt the laser and adjust to the desired angle and height.



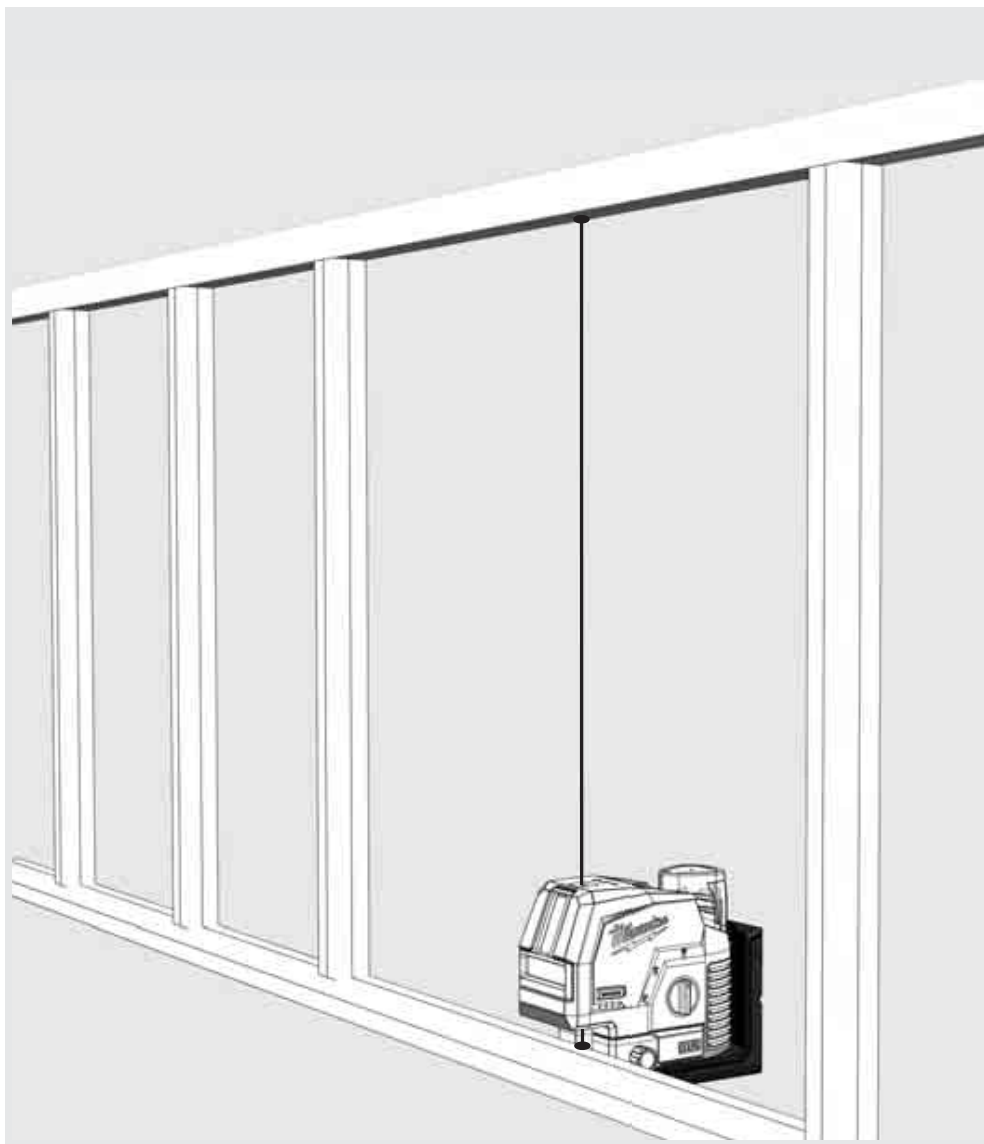
6

To turn the Manual mode off,
turn the rotation dial to: 
or
turn the rotation dial to: 



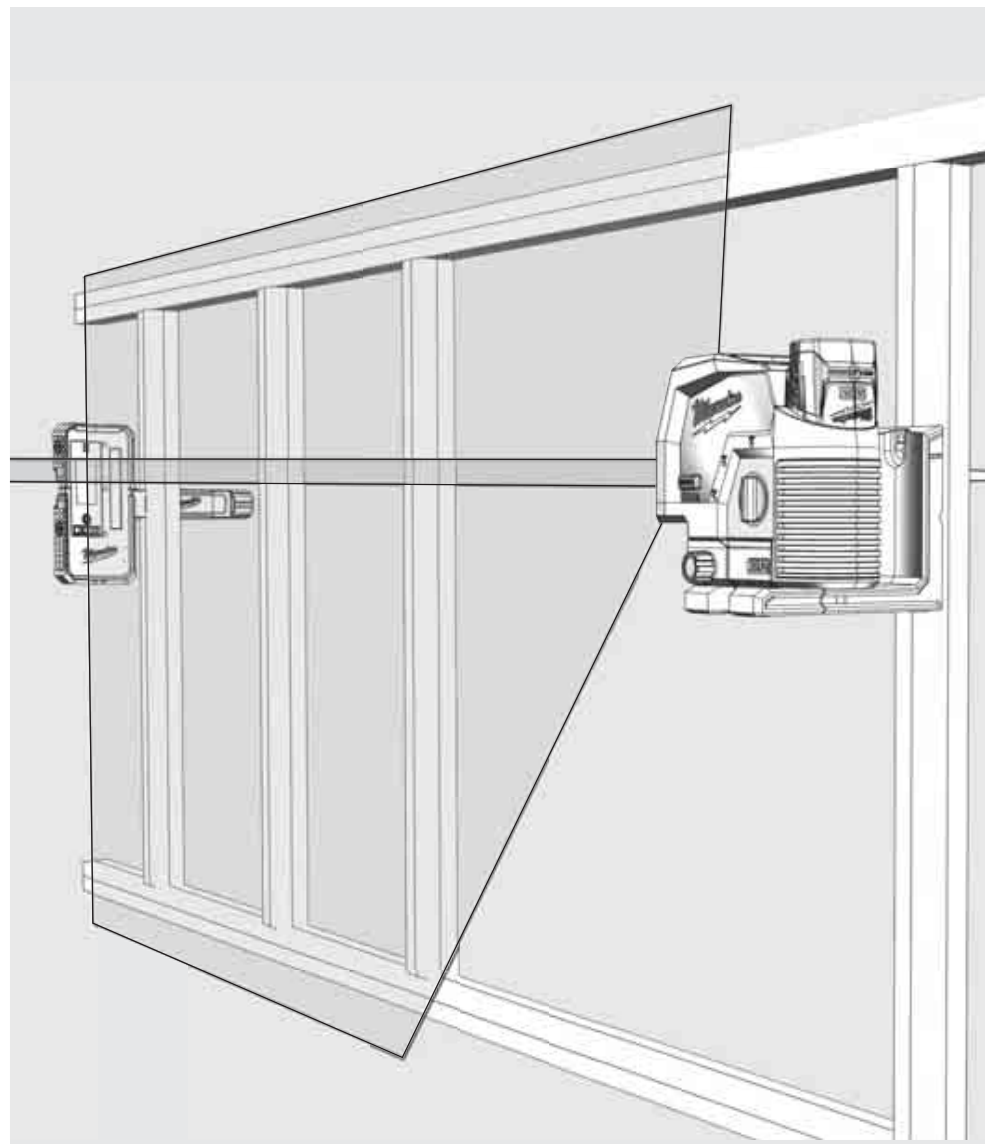
PLUMB FUNCTION

With the plumb function, a point on the floor and on the ceiling can be projected.
Use the plumb function e.g. to transfer reference point for light installation, vents, transfer of heights.



DETECTOR

For outdoor work under direct sunlight, or bright conditions and for extended indoor ranges of up to 50 meters / 164 feet, use the Milwaukee detector.
A detector is not included and must be purchased separately.
For information on how to operate the detector, please refer to the operating instructions for the detector.



ACCURACY CHECK

This cross laser left the factory fully calibrated. Milwaukee recommends the user to check the accuracy of the laser periodically, especially if the unit falls or is mishandled.

If the maximum deviation of the laser is exceeded in one of the accuracy checks, please contact one of our Milwaukee service agents (see our list of guarantee/service addresses).

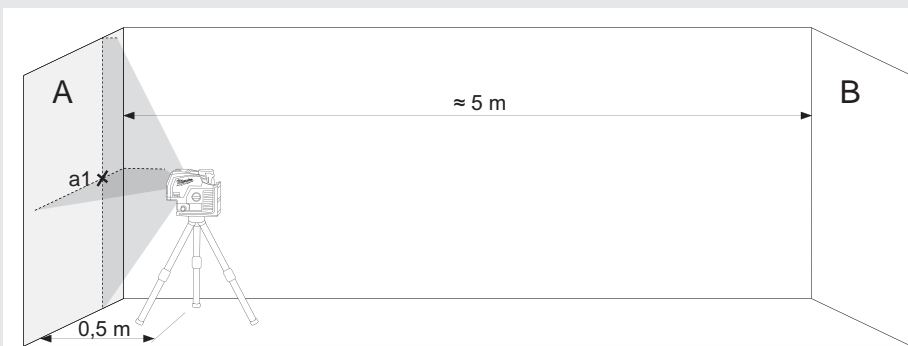
1. Checking the height accuracy of the horizontal beam.
2. Checking the leveling accuracy of the horizontal beam.
3. Checking the leveling accuracy of the vertical beam.
4. Checking the plumb accuracy.

Before checking the laser accuracy, after mounting the laser on the tripod, check the leveling of the tripod.



1 CHECKING THE HEIGHT ACCURACY OF THE HORIZONTAL BEAM (UP AND DOWN DEVIATION)

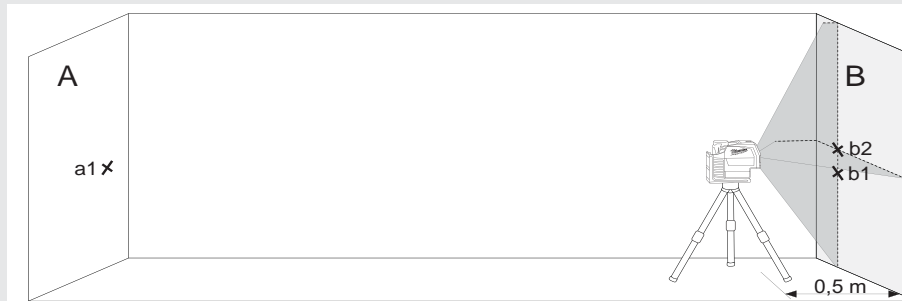
1. Set up the laser on a tripod or on a flat surface between two walls A and B, approximately 5 meters apart.
2. Position the laser level approximately 0.5 meter from wall A.
3. Switch ON the self-leveling mode and press the button to project the horizontal and the vertical cross beams towards wall A.
4. Mark the center of the cross beams on the wall as a1.



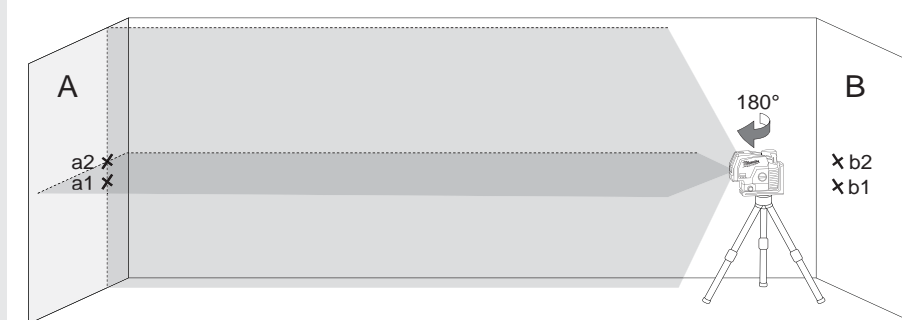
5. Turn the laser 180° towards wall B and mark the center of the cross beams as b1 on the wall.



6. Move the laser level towards wall B and position it approximately 0.5 meter from wall B.
7. Mark on wall B the center of the cross beams as b2.



8. Turn the laser 180° towards wall A, and mark on the wall the center of the cross beams as a2.



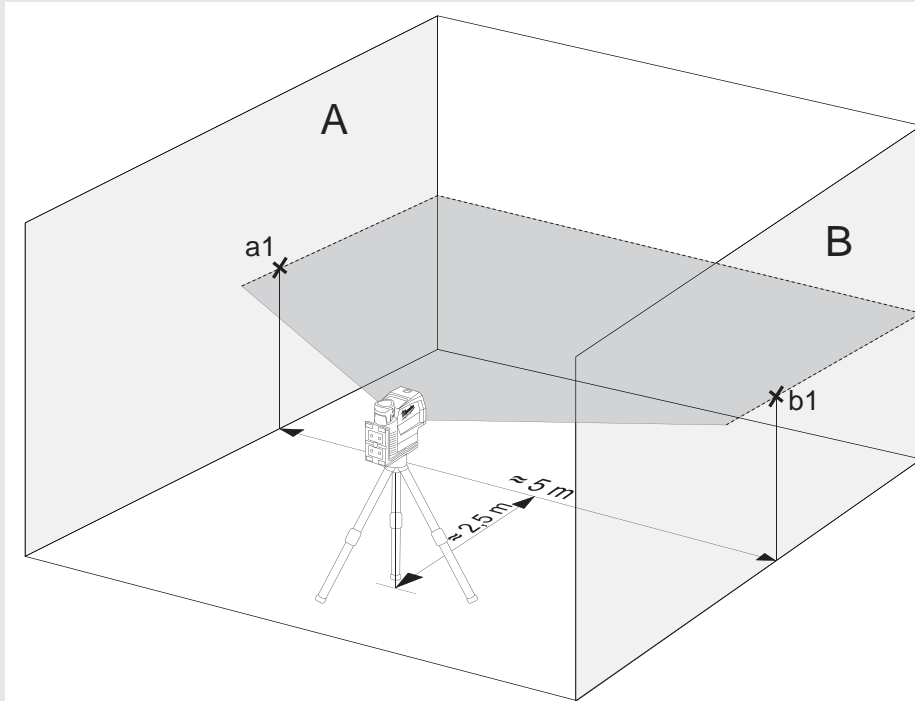
9. Measure the distances:
 $\Delta a = |a2 - a1|$
 $\Delta b = |b1 - b2|$

10. The difference $|\Delta a - \Delta b|$ should be no more than 2 mm.

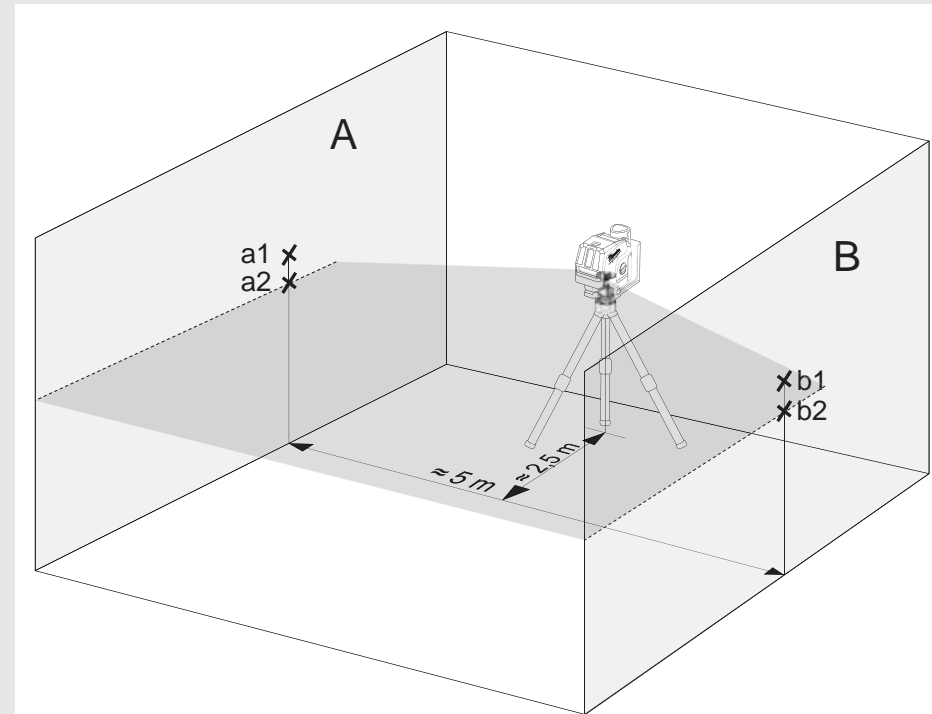
2 CHECKING THE LEVEL ACCURACY OF THE HORIZONTAL BEAM (SIDE TO SIDE INCLINATION)

For this check, a free surface of approx. 5 x 5 meters is required.

1. Set up the laser on a tripod or on a solid surface between two walls A and B, approximately 5 meters apart.
2. Position the laser level approximately 2.5 meters from the center of the room.
3. Switch ON the self-leveling mode and press the button to project the horizontal line towards wall A and B.
4. Mark the center of the laser line point a1 on wall A and point b1 on wall B.



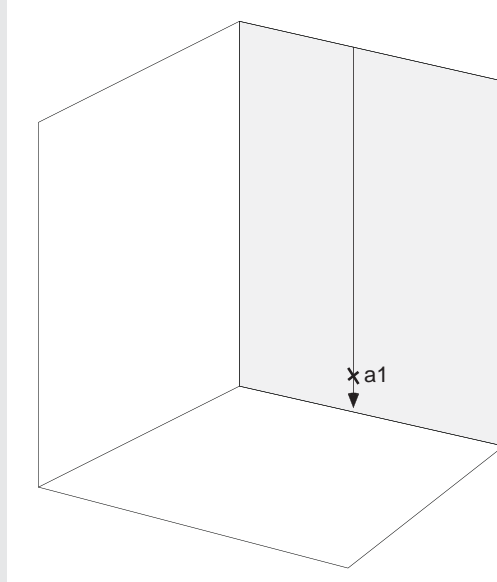
5. Move the laser level approximately 5 meters away and turn the laser 180° towards wall A and B.
6. Mark the center of the laser line point a2 on wall A and point b2 on wall B.



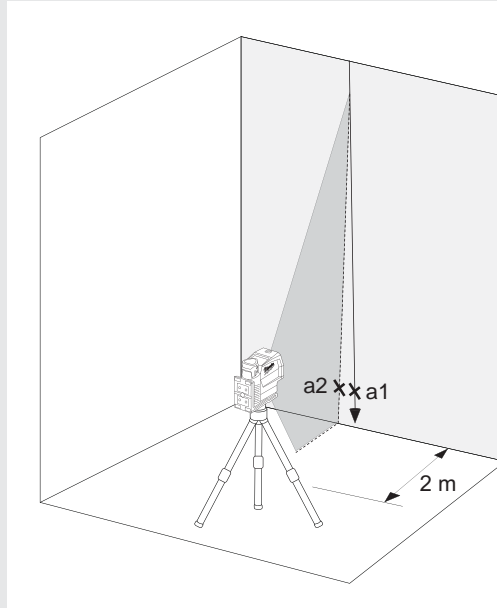
7. Measure the distances:
 $\Delta a = |a2 - a1|$
 $\Delta b = |b1 - b2|$
8. The difference $|\Delta a - \Delta b|$ should be no more than 2 mm.

3 CHECKING THE LEVEL ACCURACY OF THE VERTICAL BEAM

1. Hang an approximately 4 m plumb line on a wall.
2. After the plumb line has settled, mark point a1 on the wall, behind the plumb line, near the plumb cone.



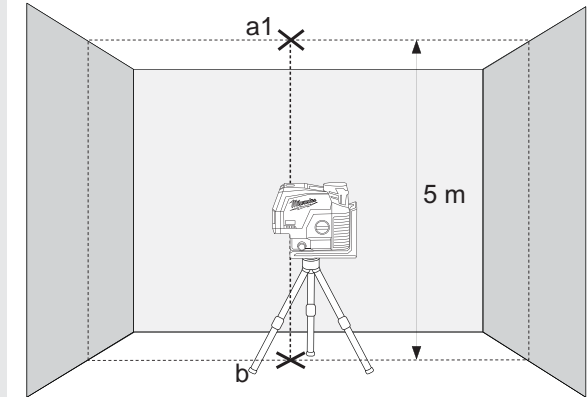
3. Set up the cross laser on a tripod or on a flat surface in front of the wall at a distance of approximately 2 m.
4. Switch ON the self-leveling mode, and press the button to project the vertical beam towards the plumb line.
5. Turn the cross laser so that the vertical beam will merge with the plumb line below the hanging point.
6. Mark point a2 on the wall, in the middle of the vertical beam at the same height as a1.
7. The distance between a1 and a2, should be no more than 1 mm.



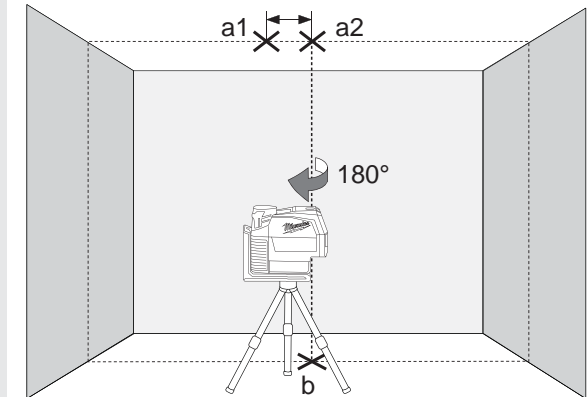
4 CHECKING PLUMB ACCURACY

This procedure requires a room of with approx. 5m distance between floor and ceiling.

1. Set up the cross laser on a tripod.
2. Switch ON the self-leveling mode and press the push button to switch to the plumb function.
3. Mark the upper plumb dot on the ceiling as point a1 (see the illustration).
4. Mark the lower plumb dot on the floor as point b.



5. Rotate the laser level 180°, position it so that the center of the plumb dot is on the point b, which has already been marked, and allow it to level.
6. Mark the center of the upper plumb dot on the ceiling as point a2.
7. The distance between points a1 and a2 marked on the ceiling is an indication of the actual deviation of the laser level from the ideal plumb line. If the measuring distance is 5m, the maximum permissible deviation is:
 $5\text{ m} \times (\pm 0.6\text{ mm/m}) \times 2 = \pm 6\text{ mm}.$
8. The distance between a1 and a2, should not be more than 6 mm.



INHALT

Wichtige Sicherheitshinweise	13
Wartung	14
Technische Daten	14
Bestimmungsgemäße Verwendung	14
Übersicht	15
Zubehör	16
Akku wechseln	16
Akkukapazitätsanzeige	17
Anzeige für niedrigen Akkukapazität	17
Deckenbefestigung	17
Wandhalterung und grüne Zielplatte	18
Arbeiten im Selbstnivelliermodus	19
Arbeiten im manuellen Modus	20
Lotfunktion	21
Detektor	21
Genauigkeit überprüfen	22

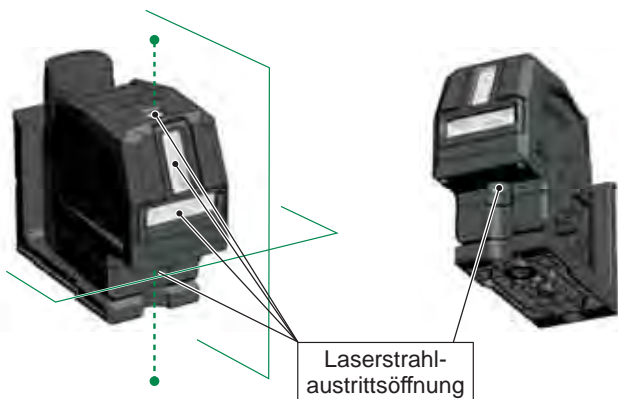
WICHTIGE SICHERHEITSHINWEISE



ACHTUNG! WARNUNG! GEFAHR!

Nehmen Sie das Produkt erst in Gebrauch, wenn Sie die Sicherheitshinweise und die Gebrauchsanweisung gelesen haben.

Laserklassifizierung



WARNUNG:

Das Produkt entspricht der Laserklasse 2 gemäß EN60825-1:2014 .



Warnung:

Die Augen nicht direkt dem Laserstrahl aussetzen. Der Laserstrahl kann schwerwiegende Augenschäden und/oder Erblinden verursachen.

Nicht direkt in den Laserstrahl blicken und den Strahl nicht unnötigerweise auf andere Personen richten.

Vorsicht! Bei einigen Anwendungen kann sich das laseremittierende Gerät hinter Ihnen befinden. Wenden Sie sich in diesem Fall vorsichtig um.

Betreiben Sie den Laser nicht in Gegenwart von Kindern und erlauben Sie ihnen auf keinen Fall, den Laser zu benutzen.

Achtung! Eine reflektierende Oberfläche kann den Laserstrahl zurück an den Bediener oder andere Personen reflektieren.

Warnung: Die Verwendung von Steuerelementen, Einstellungen oder die Durchführung von anderen als den im Handbuch festgelegten Verfahren kann zu gefährlicher Strahlenbelastung führen.

Wird der Laser von einer sehr kalten in eine warme Umgebung (oder umgekehrt) gebracht, muss es vor Gebrauch die Umgebungstemperatur erreichen.

Den Laser nicht im Freien aufbewahren und vor Schlägen, dauerhaften Vibrationen und extremen Temperaturen schützen.

Den Laser vor Staub, Nässe und hoher Luftfeuchtigkeit schützen. Andernfalls können innere Bauteile beschädigt oder die Genauigkeit beeinflusst werden.

Falls Laserstrahlung ins Auge trifft, die Augen schließen und den Kopf sofort aus dem Strahl wegdrehen.

Achten Sie darauf, den Laserstrahl so zu positionieren, dass Sie selbst oder andere Personen davon nicht geblendet werden.

Nicht mit optischen Vergrößerungsgeräten, wie Ferngläsern oder Teleskopen, in den Laserstrahl blicken. Andernfalls erhöht sich die Gefahr von schwerwiegenden Augenschäden.

Beachten Sie, dass Lasersichtbrillen zum besseren Erkennen der Laserlinien dienen, die Augen jedoch nicht vor Laserstrahlung schützen.

Warnschilder auf dem Lasergerät dürfen nicht entfernt oder unkenntlich gemacht werden.

Den Laser nicht auseinanderbauen. Laserstrahlung kann schwere Augenverletzungen verursachen.

Vor dem Transport des Lasers sicherstellen, dass die Pendelarretierung eingerastet ist.

Hinweis: Bei nicht eingerasteter Pendelarretierung kann es während des Transports zu Beschädigungen im Inneren des Geräts kommen.

Keine aggressiven Reinigungsmittel oder Lösungsmittel verwenden. Nur mit einem sauberen, weichen Tuch reinigen.

Den Laser vor heftigen Stößen und Stürzen schützen. Nach einem Sturz oder starken mechanischen Einwirkungen ist die Genauigkeit des Geräts vor Gebrauch zu überprüfen.

Erforderliche Reparaturen an diesem Lasergerät dürfen nur von autorisiertem Fachpersonal durchgeführt werden.

Das Produkt darf nicht in einer explosionsgefährdeten oder aggressiven Umgebung eingesetzt werden.

Vor längerem Nichtgebrauch des Geräts die Batterien aus dem Batteriefach entnehmen. So lassen sich das Auslaufen der Batterien und damit verbundene Korrosionsschäden vermeiden.



Leere Batterien dürfen nicht über den Hausmüll entsorgt werden. Gebrauchte Batterien zur umweltgerechten Entsorgung gemäß nationaler oder lokaler Vorschriften an den dafür vorgesehenen Sammelstellen abgeben. Das Gerät darf nicht im Hausmüll entsorgt werden. Gerät sachgemäß entsorgen. Länderspezifische Entsorgungsvorschriften befolgen. Wenden Sie sich an die örtliche Behörde oder Ihren Händler, um Auskunft über die Entsorgung zu erhalten.



WARTUNG

Das Objektiv und das Gehäuse des Lasers mit einem weichen, sauberen Tuch reinigen. Keine Lösungsmittel verwenden.

Auch wenn das Gerät bis zu einem gewissen Grad staub- und schmutzbeständig ist, sollte es nicht längerfristig an einem staubigen Ort aufbewahrt werden, da andernfalls innenliegende bewegliche Teile beschädigt werden können.

Sollte der Laser nass werden, ist es vor dem Einsetzen in den Tragekoffer zu trocknen, damit keine Rostschäden entstehen.

TECHNISCHE DATEN

Laserklasse	2
Selbstnivellierungsbereich	$\pm 4^\circ$
Selbstnivellierungsdauer	3 s
Batterietyp	Li-Ion
Spannung DC	12V ---
Schutzart (Spritzwasser und Staub)	IP54*
Max. Höhenlage	2000 m
Relative Luftfeuchtigkeit max.	80%
Verschmutzungsgrad nach IEC 61010-1	2**
Pulsdauer t_p	$\leq 80 \mu\text{s}$
Funktionen	horizontale Linie, vertikale Linie, Kreuzlinien, Lotfunktion (2 Punkte)
Frequenz	10 kHz
Projektionen	2 grüne Linien, 2 grüne Punkte
Anzahl Dioden	2
Diodentyp	30 mW
Laserlinienausgabemuster	Einzel horizontal, einzelne vertikal + 2 Lotpunkte nach oben und unten, Kreuzlinie + 2 Lotpunkte (nach oben und unten).
Betriebszeit	15 Stunden mit Akku M12 3.0 Ah
Stativgewinde	1/4" / 5/8"
Geeigneter Detektor	Milwaukee LLD50

Laserlinie	Breite < 9,53mm @ 30m
	Wellenlänge 510 - 530 nm Laserklasse II
	Maximale Leistung $\leq 7 \text{ mW}$
	Genauigkeit $\pm 3 \text{ mm} / 10 \text{ m}$
	Öffnungswinkel Vertikale Linie > 120° ; Horizontale Linie > 114°
	Farbe grün
	Reichweite 38 m (mit Detektor 50 m)
Lotpunkt	Wellenlänge Laserpunkt 510 - 530 nm Laserklasse II
	Max. Leistung Laserpunkt < 1 mW
	Lotgenauigkeit $\pm 3 \text{ mm} / 10 \text{ m}$
	Laserpunktfarbe grün
	Reichweite 30 m
Empfohlene Betriebstemperatur	-10 °C bis +40 °C
Lagertemperatur	-20 °C bis +50 °C
Empfohlene Akkutypen	M12 B...
Abmessungen	170 mm x 82 mm x 148 mm
Gewicht (inkl. Batterien)	1205 g

* Der Lithium-ion Akku und das Akkufach sind von IP54 ausgeschlossen.

** Es tritt nur eine nicht leitfähige Verschmutzung auf, wobei jedoch gelegentlich eine vorübergehende durch Betauung verursachte Leitfähigkeit erwartet wird.

BESTIMMUNGSGEMÄSSE VERWENDUNG

"Das Produkt ist vorzugsweise für den Einsatz in Innenräumen bestimmt. Bei Einsatz im Freien ist darauf zu achten, dass die Rahmenbedingungen denen im Innenraum entsprechen."

Dieser innovative Laser ist für einen breiten professionellen Anwendungsbereich ausgelegt, wie z. B.:

- Ausrichten von Fliesen, Marmorplatten, Schränken, Bordüren, Formteilen und Besätzen
- Markieren der Grundlinien für den Einbau von Türen, Fenstern, Schienen, Treppen, Zäunen, Toren, Veranden und Pergolen.
- Für die Bestimmung und Prüfung von horizontalen und vertikalen Linien.
- Nivellieren von abgehängten Decken und Rohrleitungen, Fensteraufteilung und Rohrausrichtung, Nivellieren von Umfassungswänden für Elektroinstallationen

Dieses Produkt darf nur wie angegeben bestimmungsgemäß verwendet werden.

ÜBERSICHT

Lotpunkt oben

Fenster vertikaler Laserlinie

Fenster horizontaler Laserlinie

Modustaste

Kurzes Drücken: Wählen Sie zwischen Laserlinien:

- horizontal
- Vertikal + Lotfunktion
- Kreuzlinien + Lotfunktion

Langes Drücken: Umschalten Normalmodus / Energiesparmodus

LED-Anzeige Akkukapazität

20 ° Feineinstellung (+/-10° von der Mitte)

Lotpunkt unten

Stativhalterung 5/8"

Stativhalterung 1/4"



LED-Anzeige Laserlinie

- horizontal
- vertikal
- Kreuzlinie

M12 Akku

Markierung für horizontalen Laserstrahl

Drehknopf

- OFF Aus / gesperrt
- ON Ein / manueller Modus
- ON Ein / Selbstnivellierungsmodus

Magnethalterung



Deckenbefestigung



DEUTSCH

ZUBEHÖR

Zubehör - Nicht in der Standardausstattung enthalten, als Zubehör erhältlich.

Klemme LM360



Detektor LLD50

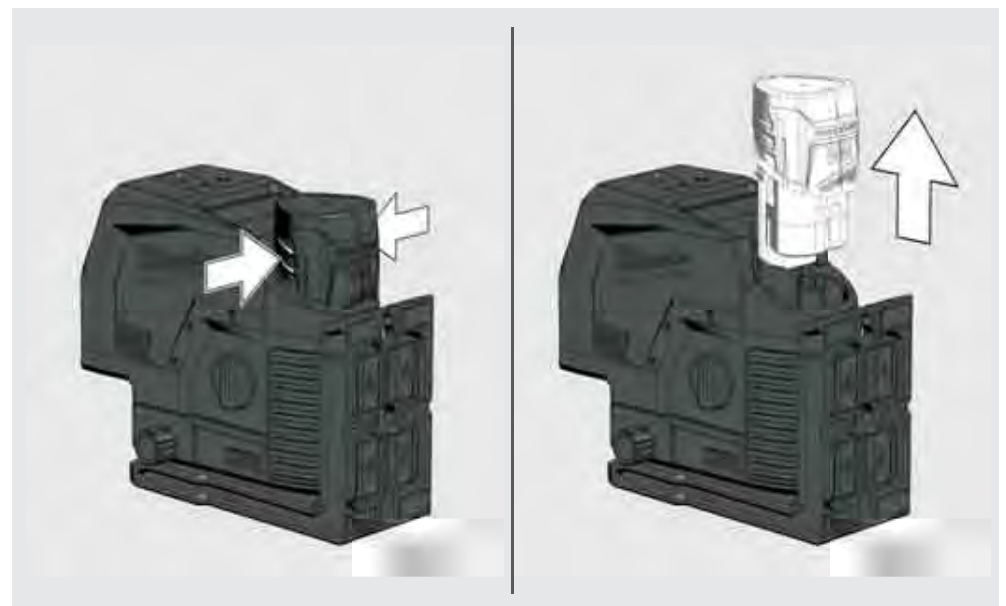
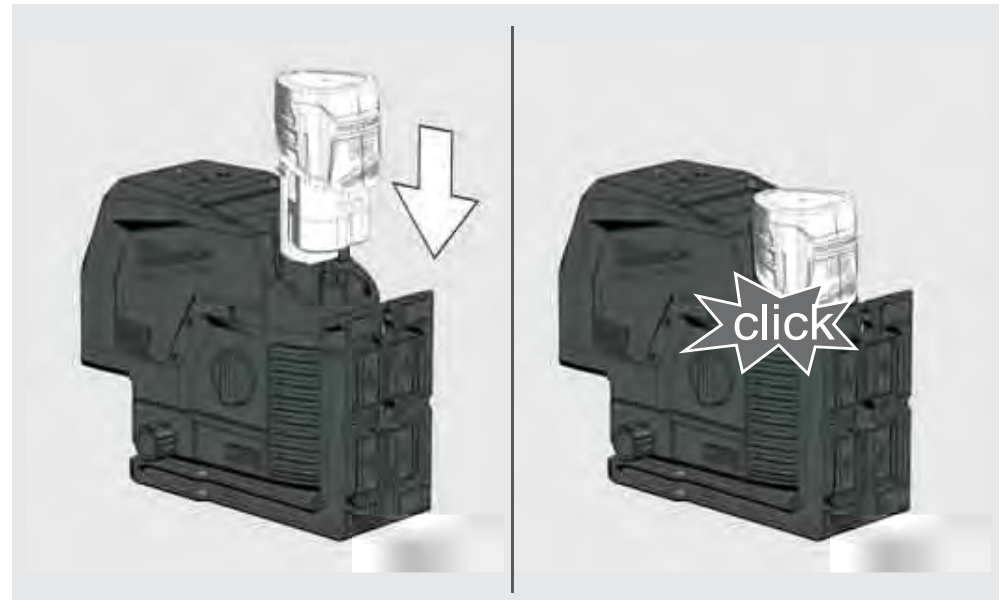


Stativ TRP180



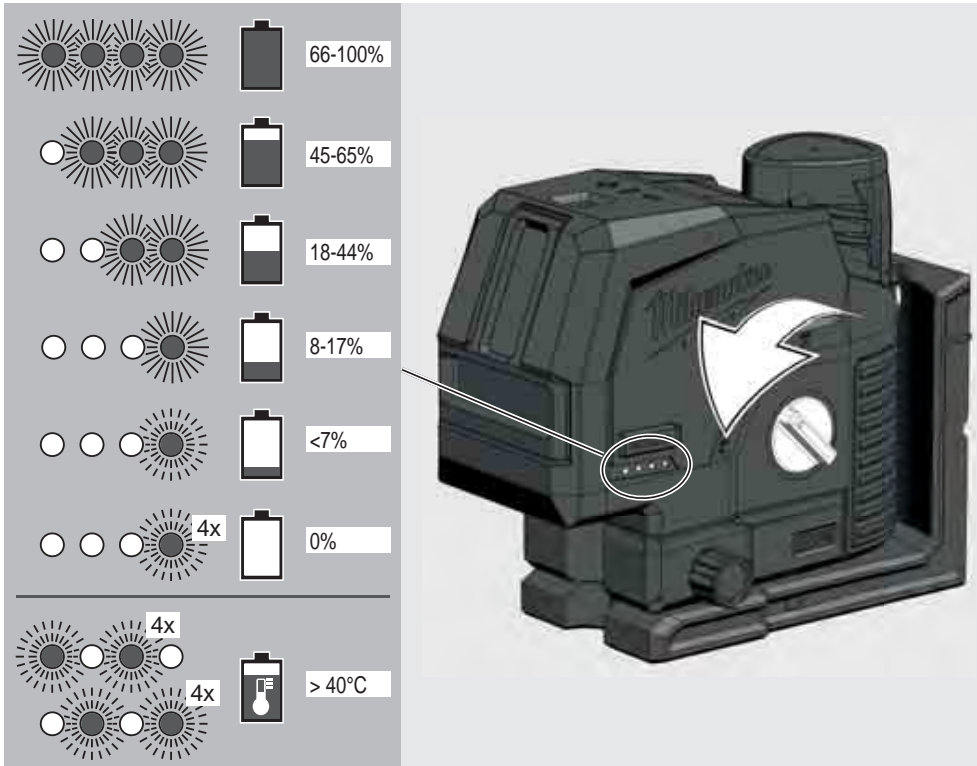
AKKU WECHSELN

Verwenden Sie nur einen wiederaufladbaren Milwaukee-Akku vom Typ M12.



AKKUKAPAZITÄTSANZEIGE

Nach dem Ein- oder Ausschalten des Lasers zeigt die Akkukapazitätsanzeige die Akkukapazität an.



ANZEIGE FÜR NIEDRIGEN AKKUKAPAZITÄT

Wenn die Spannung niedrig ist, schaltet der Laser in den Energiesparmodus. Der Laser blinkt im Selbstnivellierungsmodus

4 Sek. 1 Sek.

Der Laser blinkt im manuellen Modus

8 Sek. 1 Sek.

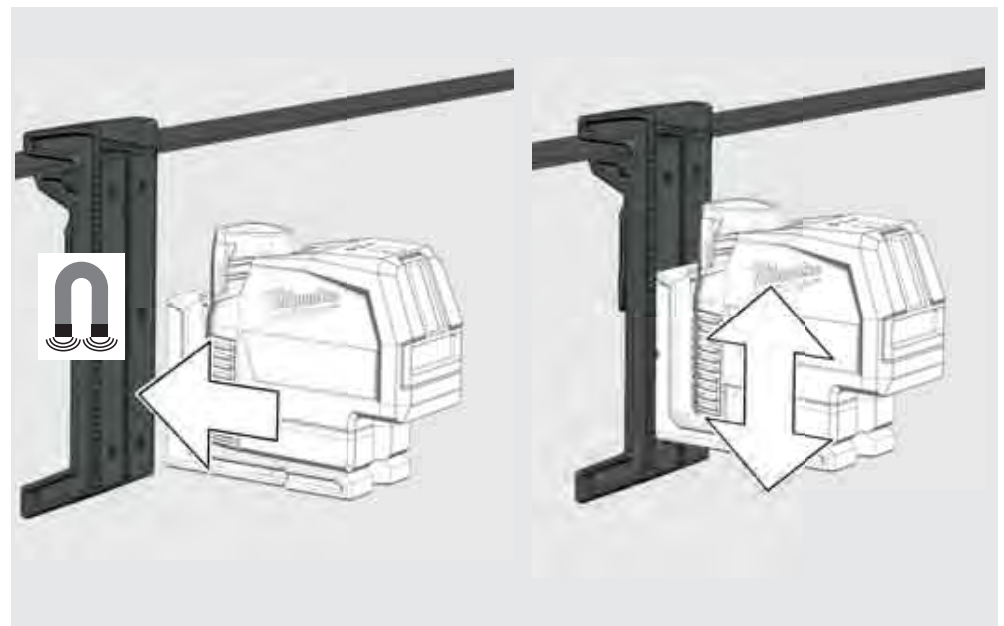
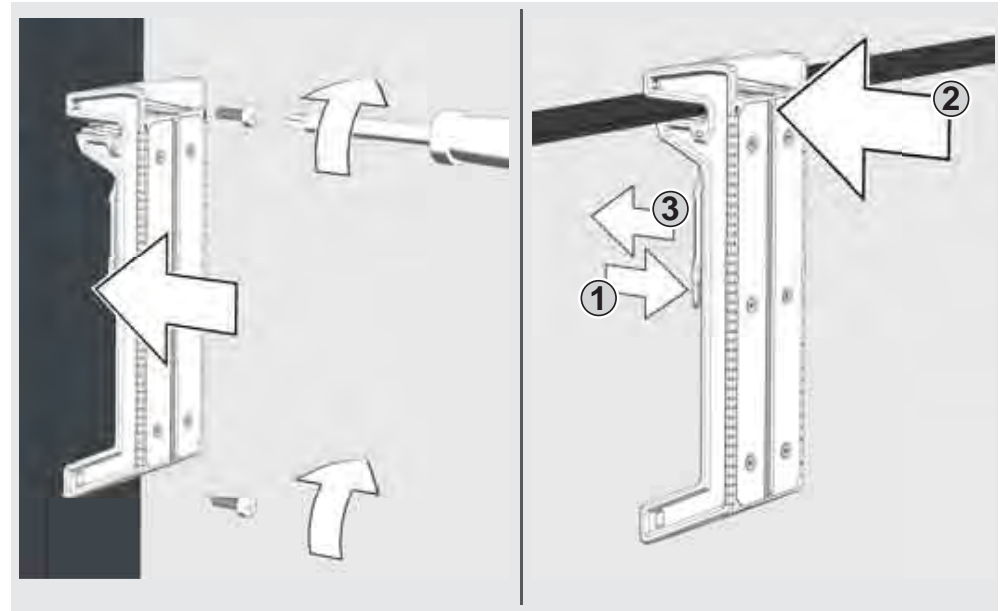
Von nun an ist es weiterhin möglich, die Arbeit fortzusetzen.

Wenn die Spannung zu niedrig ist, blinken der Laser und die LED 4x und schalten sich automatisch aus.

DECKENBEFESTIGUNG

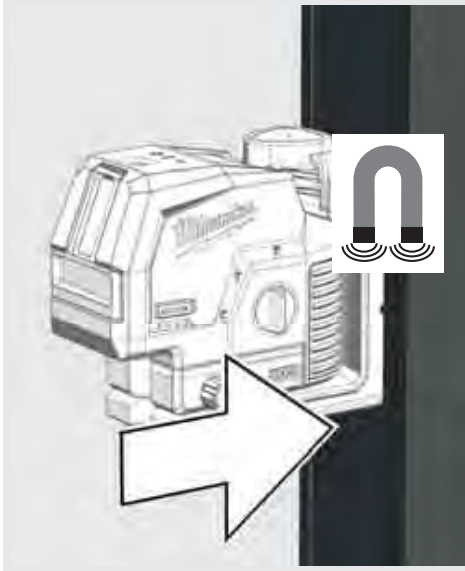
Befestigen Sie die Deckenbefestigung mit Schrauben an einer Säule.

Verwenden Sie die Deckenbefestigung, um den Laser an Deckenkanälen, Racks... festzuklemmen.



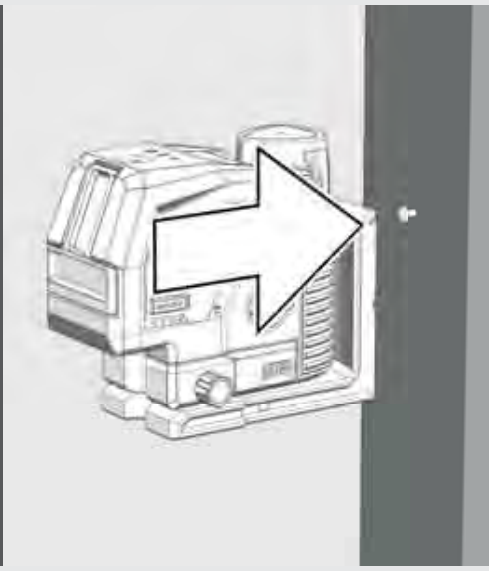
WANDHALTERUNG UND GRÜNE ZIELPLATTE

Mit der magnetischen Wandhalterung lässt sich der Laser an Wänden, Metallstrukturen o. ä. befestigen.



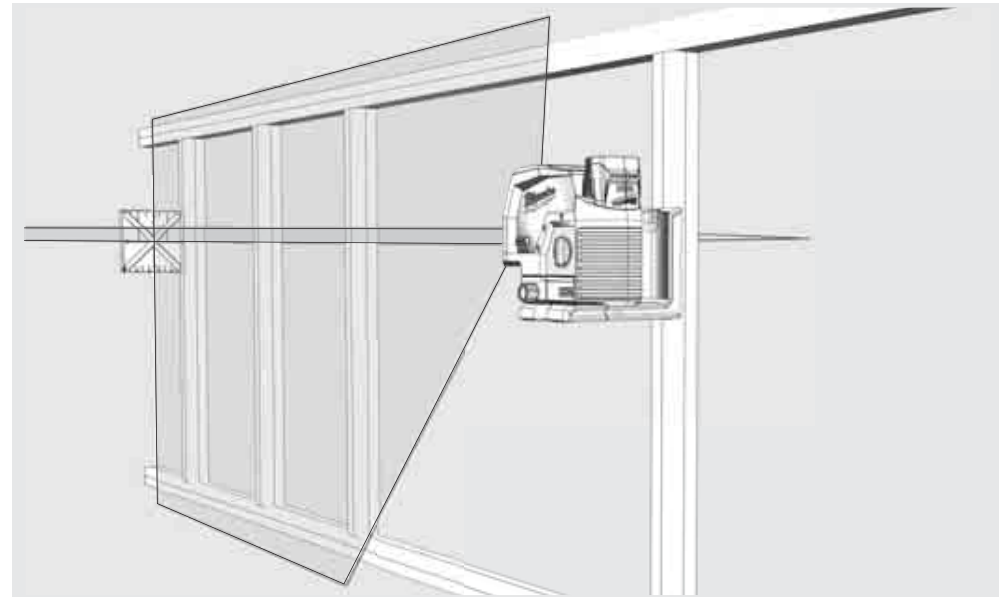
Drehen Sie den Laser um 360°.

Oder mit einer Schraube oder Nagel an einem Pfosten befestigen.

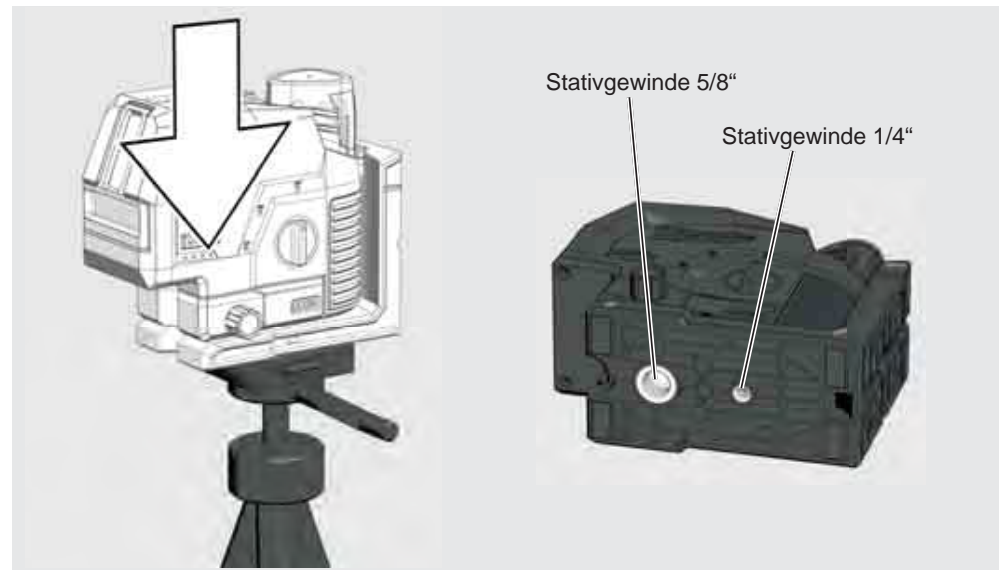


Verwenden Sie den Einstellknopf für die 20° Pivot-Feineinstellung

Verwenden Sie die grüne Zielplatte, um die Sichtbarkeit des Laserstrahls unter ungünstigen Bedingungen und in größeren Entfernungen zu verbessern.



Befestigen Sie den Laser mit der Stativaufnahme auf einem Stativ.

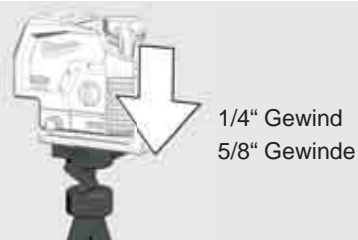


ARBEITEN IM SELBSTNIVELLIERMODUS

Im Selbstnivelliermodus richtet sich der Laser selbst in einem Bereich von $\pm 4^\circ$ aus. Dazu werden eine horizontale Linie, eine vertikale Linie oder beide Linien gleichzeitig projiziert und zusätzlich ein Lotpunkt oben und unten.

1

Den Laser auf einen festen, ebenen und vibrationsfreien Untergrund stellen oder auf einem Stativ montieren.



2

Drehen Sie den Drehknopf auf:

ON

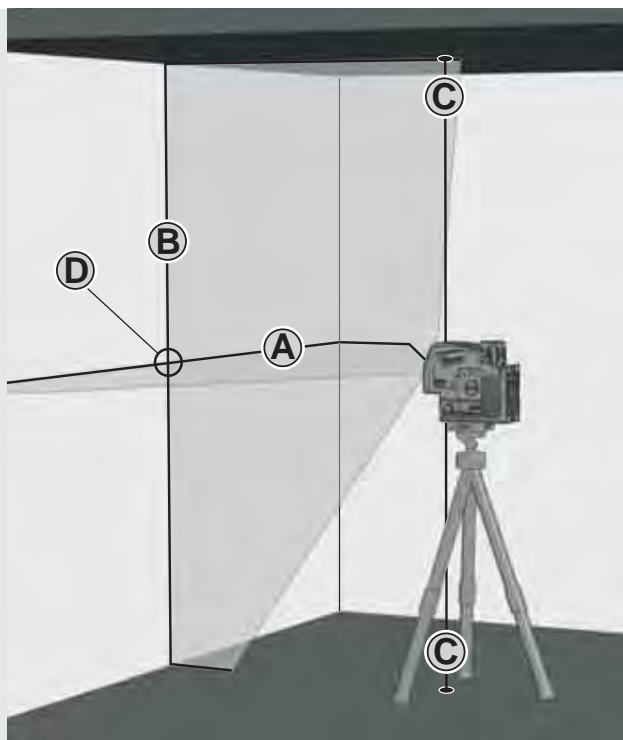


3

Der Laser erzeugt 2 Laserlinien.

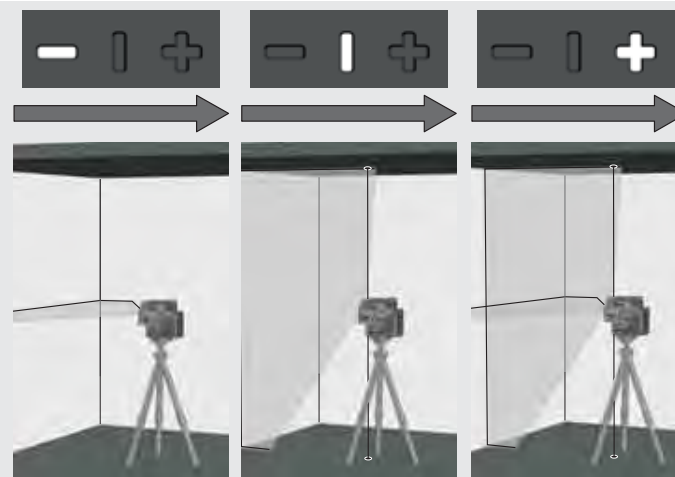
(A) Horizontale Linie nach vorne
(B) Vertikale Linie nach vorne
(C) Laserpunkt

(D) Wenn alle Linien aktiviert sind, erzeugt der Laser Kreuzlinien nach vorne.



4

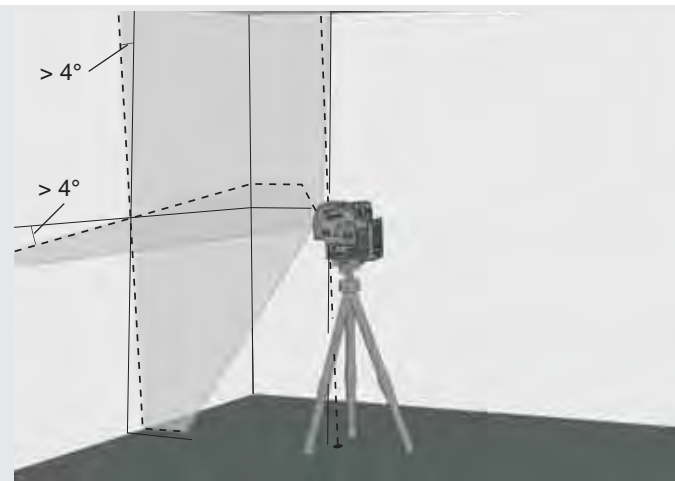
Die gewünschten Linien über die Taste MODE auswählen.



5

Wenn der Laser bei aktivierter Selbstnivellierung anfangs nicht auf $\pm 4^\circ$ ausgerichtet ist, blinken die Laserlinien.

In diesem Fall den Laser neu positionieren.



6

Vor dem Umsetzen des Lasers den Drehknopf auf OFF stellen. Dadurch wird das Pendel arretiert und der Laser geschützt.



ARBEITEN IM MANUELLEN MODUS

Im manuellen Modus ist die Selbstnivellierfunktion deaktiviert und der Laser kann auf jede beliebige Neigung der Laserlinien eingestellt werden.

1

Den Laser auf einen festen, ebenen und vibrationsfreien Untergrund stellen oder auf dem Stativ montieren.



2

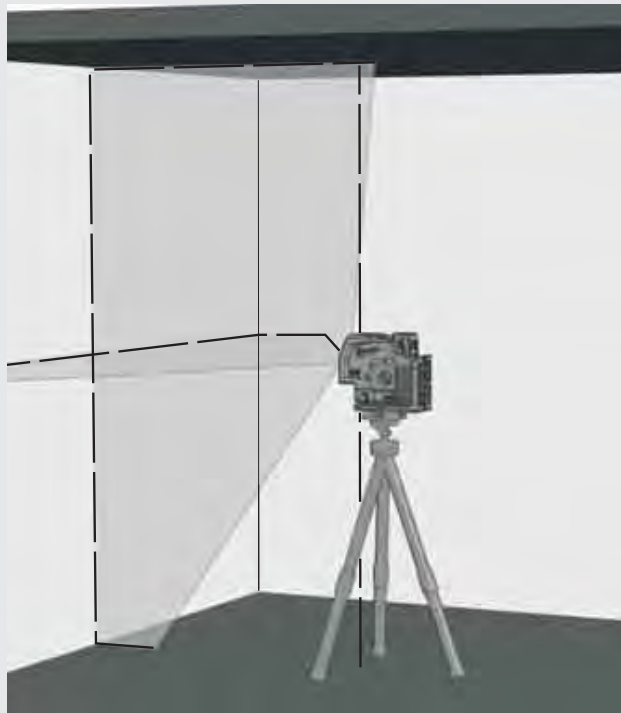
Drehen Sie den Drehknopf auf:
ON



3

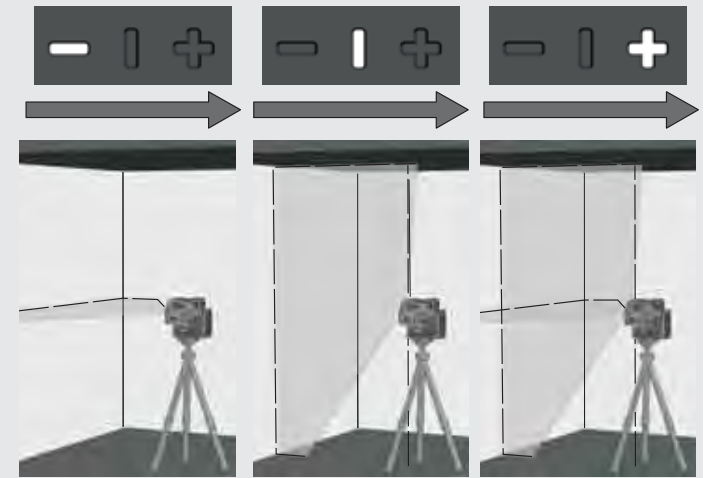
Wie im Selbstnivelliermodus erzeugt der Laser 2 Laserlinien, die jedoch alle 8 Sekunden unterbrochen werden.

8 Sek. 8 Sek. 8 Sek.



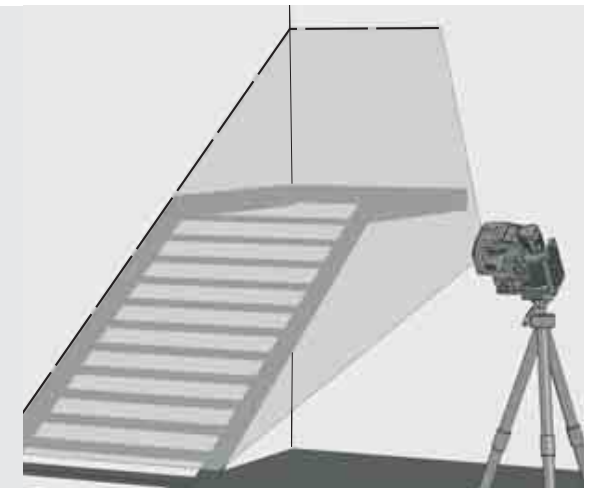
4

Die gewünschten Linien über die Taste MODE auswählen.



5

Den Laser mithilfe des Stativs auf die gewünschte Höhe und Neigung einstellen.



6

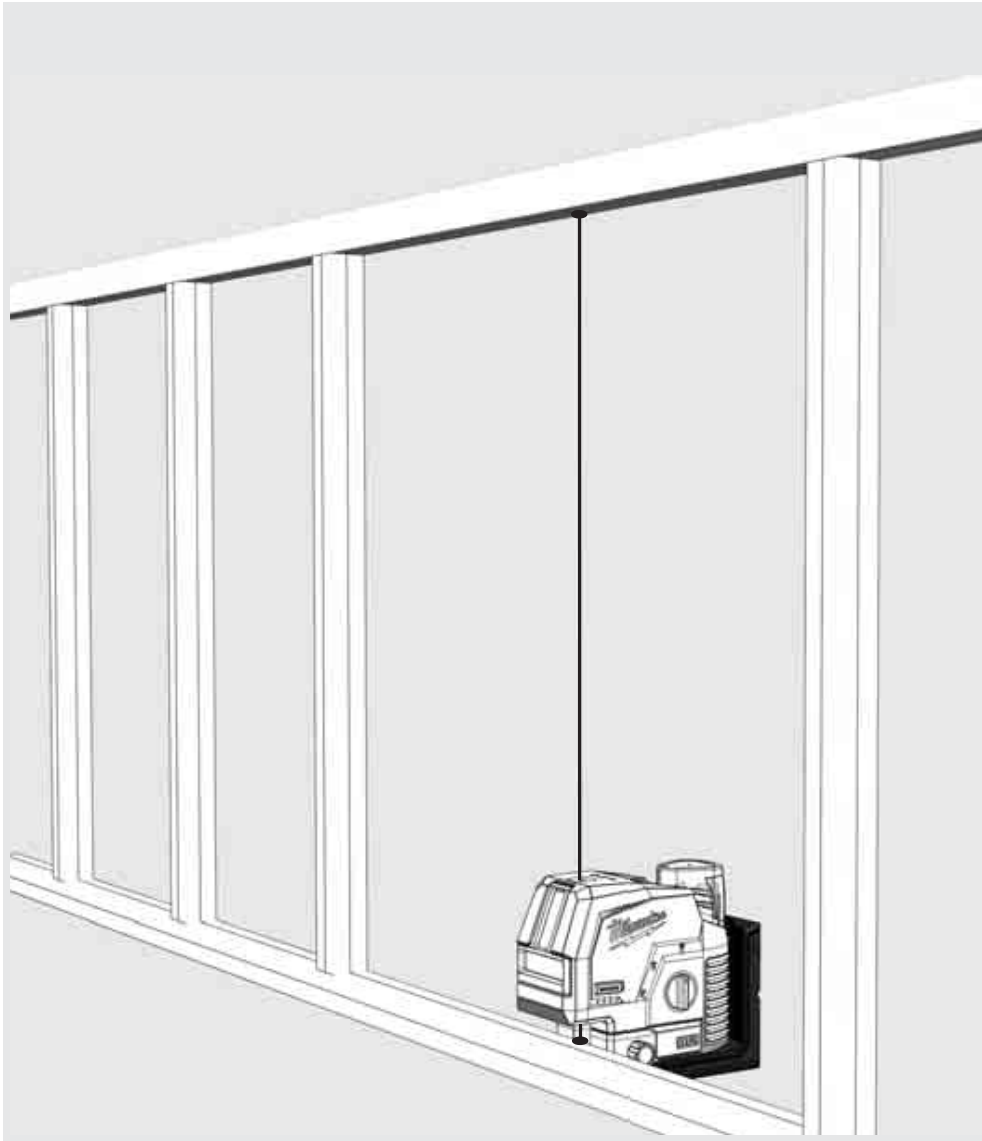
Um den manuellen Modus zu beenden,

Drehen Sie den Drehknopf auf: **ON**
oder
drehen Sie den Drehknopf auf: **OFF**



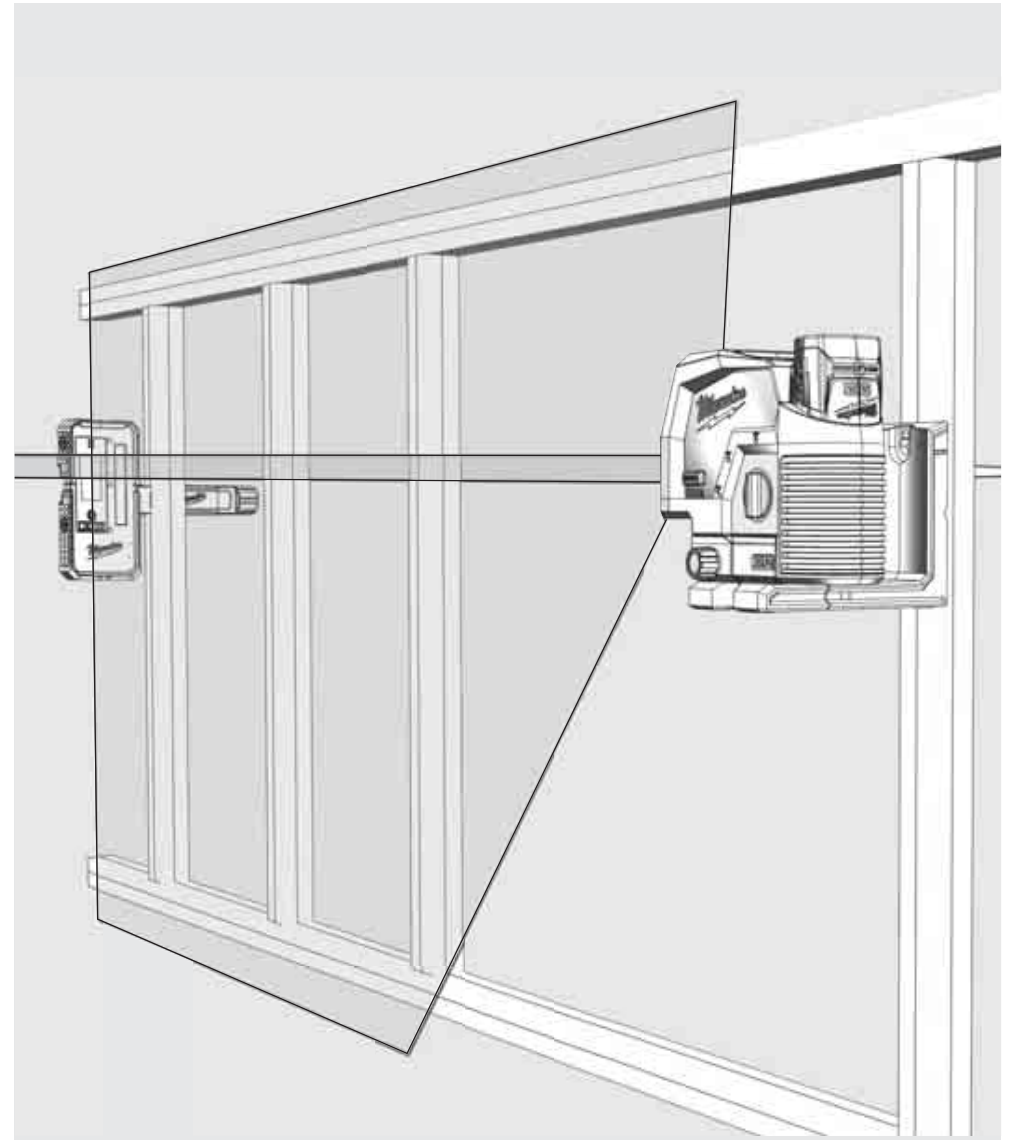
LOTFUNKTION

Mit der Lotfunktion lässt sich ein Punkt auf dem Boden und an die Decke lotrecht projizieren. Die Lotfunktion dient beispielsweise zur Übertragung eines Referenzpunkts für die Beleuchtungs- und Lüftungsinstallation oder zur Übertragung von Höhen.



DETEKTOR

Für Außenarbeiten bei direkter Sonneneinstrahlung oder hellen Lichtverhältnissen sowie für Innenanwendungen mit einer Reichweite bis 50 Meter den Milwaukee Detektor verwenden. Der Detektor ist nicht im Lieferumfang enthalten und muss separat erworben werden. Ausführliche Informationen zur Verwendung des Detektors finden Sie in der Bedienungsanleitung für den Detektor.



Der Laser wird ab Werk vollständig kalibriert. Milwaukee empfiehlt, die Genauigkeit des Lasers regelmäßig zu überprüfen, vor allem nach einem Sturz oder infolge von Fehlbedienungen.

Wird die maximale Abweichung bei einer Überprüfung der Genauigkeit überschritten, wenden Sie sich bitte an eines unserer Milwaukee-Servicecenter (siehe Liste mit den Garantiebedingungen und Servicecenteradressen).

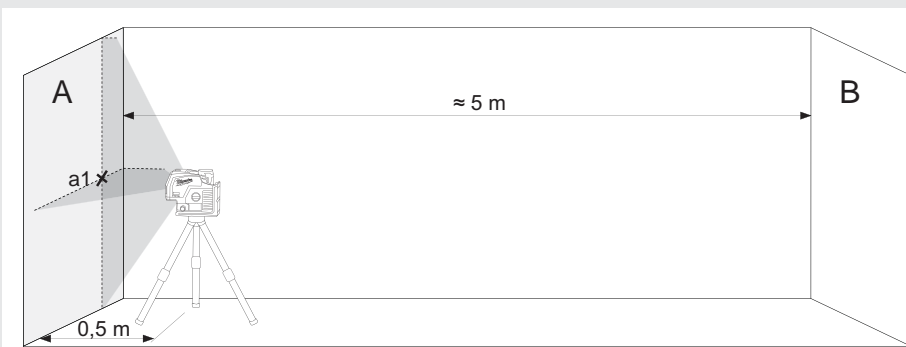
1. Höhengenaugigkeit der horizontalen Linie überprüfen.
2. Nivelliergenauigkeit der horizontalen Linie überprüfen.
3. Nivelliergenauigkeit der vertikalen Linie überprüfen.
4. Lotgenauigkeit überprüfen.

Vor dem Überprüfen der Genauigkeit des auf dem Stativ montierten Lasers die Nivellierung des Stativs kontrollieren.

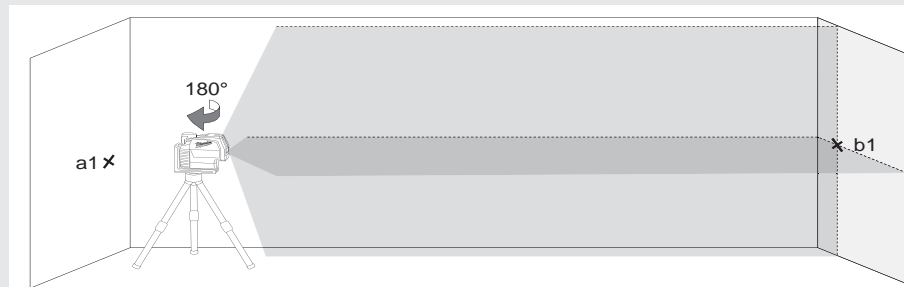


1 HÖHGENAUIGKEIT DER HORIZONTALEN LINIE ÜBERPRÜFEN (ABWEICHUNG NACH OBEN UND UNTEN)

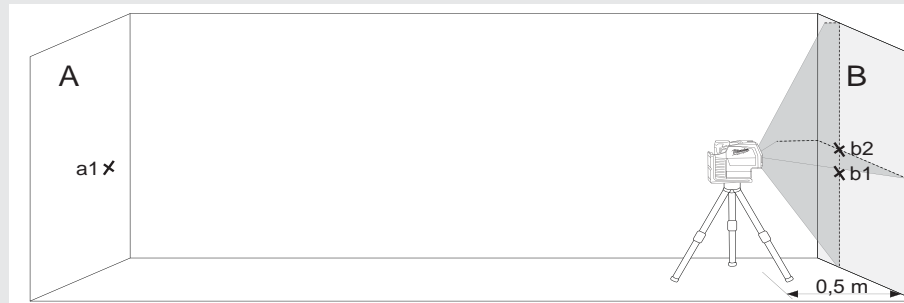
1. Den Laser auf einem Stativ oder einem ebenen Untergrund zwischen zwei ca. 5 m voneinander entfernten Wänden A und B aufstellen.
2. Den Laser ca. 0,5 m von Wand A entfernt positionieren.
3. Den Selbstnivelliermodus einschalten und die Taste drücken, um die horizontale und vertikale Linie auf Wand A zu projizieren.
4. Den Schnittpunkt der beiden Linien als Punkt a1 auf Wand A markieren.



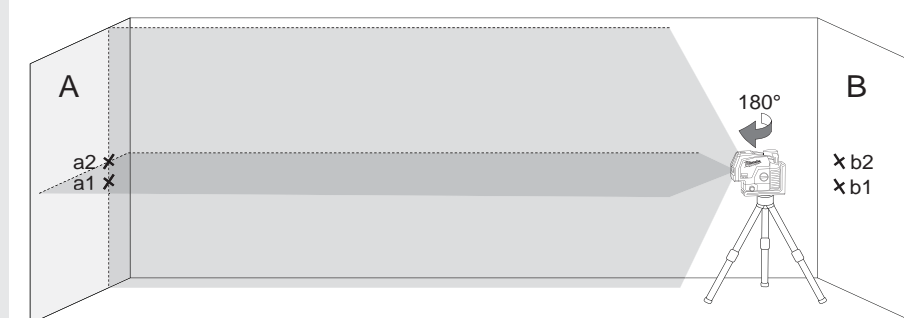
5. Den Laser um 180° in Richtung Wand B drehen und den Schnittpunkt der beiden Linien als b1 auf Wand B markieren.



6. Den Laser ca. 0,5 m von Wand B entfernt aufstellen.
7. Den Schnittpunkt der beiden Linien als b2 auf Wand B markieren.



8. Den Laser um 180° in Richtung Wand A drehen und den Schnittpunkt der beiden Linien als a2 auf Wand A markieren



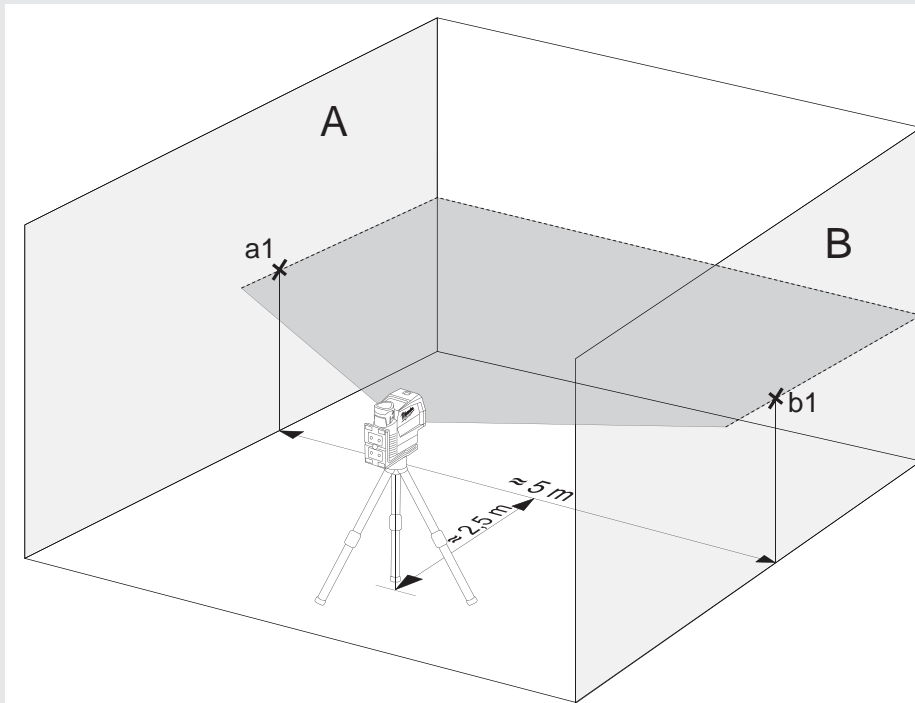
9. Die Abstände messen:
 $\Delta a = |a2 - a1|$
 $\Delta b = |b1 - b2|$

10. Die Differenz $|\Delta a - \Delta b|$ darf nicht mehr als 2 mm betragen.

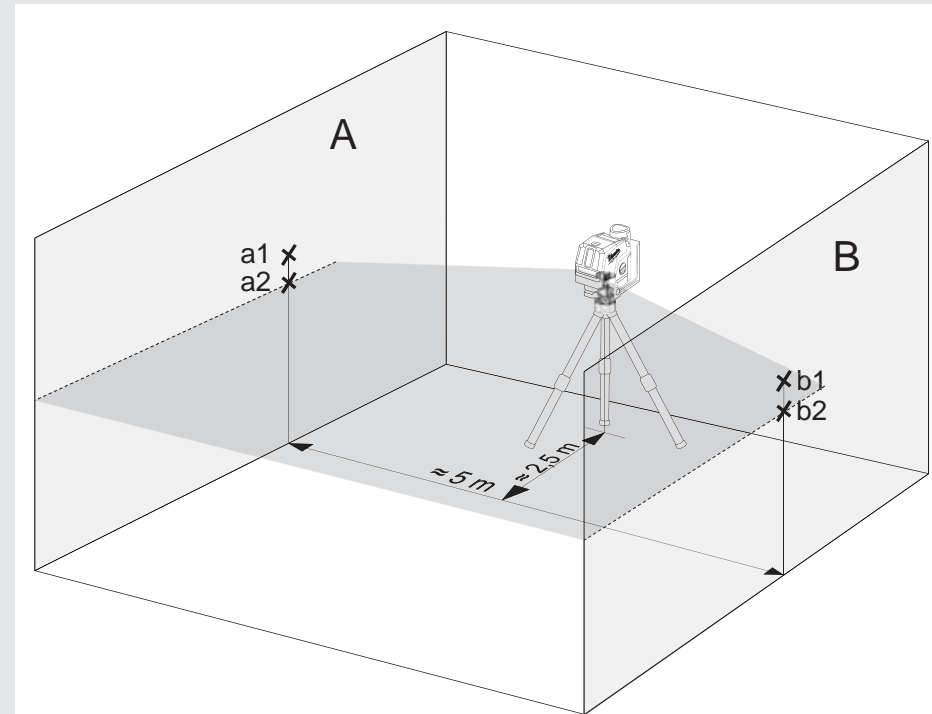
2 NIVELLIERGENAUIGKEIT DER HORIZONTALEN LINIE ÜBERPRÜFEN (ABWEICHUNG VON EINER SEITE ZUR ANDEREN)

Für diese Prüfung ist eine freie Fläche von ca. 5 × 5 m erforderlich.

1. Den Laser auf einem Stativ oder einem festen Untergrund zwischen zwei ca. 5 m voneinander entfernten Wänden A und B aufstellen.
2. Den Laser ca. 2,5 m von der Raummitte entfernt aufstellen.
3. Den Selbstnivelliermodus einschalten und die Taste drücken, um die horizontale Linie auf die Wände A und B zu projizieren.
4. Den Mittelpunkt der Laserlinie auf Wand A mit a1 und auf Wand B mit b1 markieren.



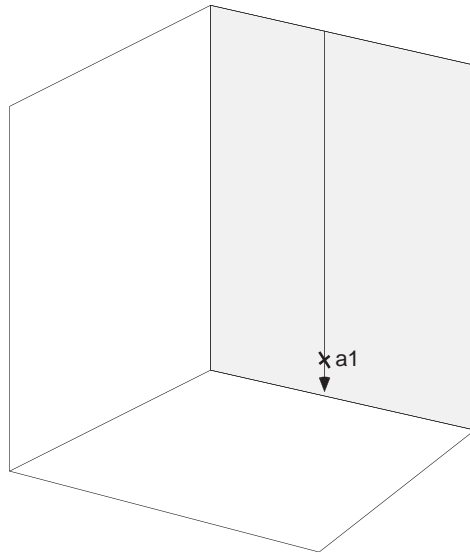
5. Den Laser um ca. 5 m versetzen und um 180° drehen und die horizontale Linie erneut auf die Wände A und B projizieren.
6. Den Mittelpunkt der Laserlinie auf Wand A mit a2 und auf Wand B mit b2 markieren.



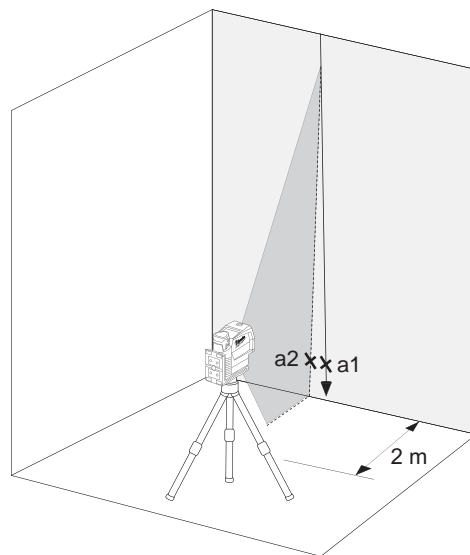
7. Die Abstände messen:
 $\Delta a = |a2 - a1|$
 $\Delta b = |b1 - b2|$
8. Die Differenz $|\Delta a - \Delta b|$ darf nicht mehr als 2 mm betragen.

3 NIVELLIERGENAUIGKEIT DER VERTIKALEN LINIE ÜBERPRÜFEN

1. Eine ca. 4 m lange Lotschnur an einer Wand aufhängen.
2. Nachdem sich das Senkblei ausgependelt hat, den Punkt a1 oberhalb des Bleikegels auf der Wand markieren.



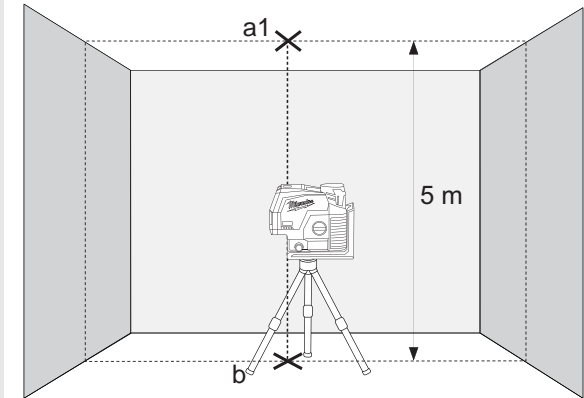
3. Den Laser auf einem Stativ oder einem ebenen Untergrund in ca. 2 m Entfernung von der Wand aufstellen.
4. Den Selbstnivelliermodus einschalten und die Taste drücken, um die vertikale Linie auf die Lotschnur zu projizieren.
5. Den Laser so drehen, dass die vertikale Linie mit der Aufhängung der Lotschnur übereinstimmt.
6. Den Punkt a2 in der Mitte der vertikalen Linie auf derselben Höhe wie a1 auf der Wand markieren.
7. Der Abstand zwischen a1 und a2 darf nicht größer als 1 mm sein.



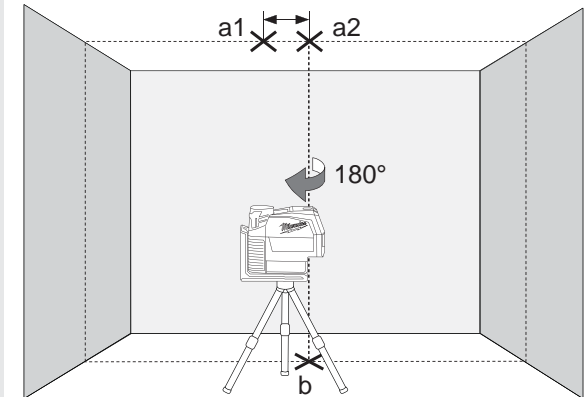
4 LOTGENAUIGKEIT ÜBERPRÜFEN

Für diese Prüfung ist ein Raum mit einer Deckenhöhe von ca. 5 m erforderlich.

1. Den Laser auf ein Stativ montieren.
2. Den Selbstnivelliermodus einschalten und die Taste drücken, um in die Lotfunktion umzuschalten.
3. Den oberen Lotpunkt als Punkt a1 an der Decke markieren (siehe Abbildung).
4. Den unteren Lotpunkt als Punkt b auf dem Boden markieren.



5. Den Laser um 180° drehen und so positionieren, dass der Mittelpunkt des Lotpunkts auf den bereits markierten Punkt b fällt und warten, bis sich das Gerät nivelliert hat.
6. Den oberen Lotpunkt als Punkt a1 an der Decke markieren (siehe Abbildung).
7. Der Abstand zwischen den Punkten a1 und a2 an der Decke gibt an, wie stark die Laserlinie von der idealen Lotrechten abweicht. Bei einer Messstrecke von 5 m beträgt die maximal zulässige Abweichung:
 $5 \text{ m} \times (\pm 0,6 \text{ mm/m}) \times 2 = \pm 6 \text{ mm}$.
8. Der Abstand zwischen a1 und a2 darf nicht größer als 6 mm sein.



CONTENU

Consignes de sécurité importantes	25
Entretien	26
Caractéristiques techniques	26
Utilisation conforme aux prescriptions	26
Vue globale	27
Équipement	28
Changer la batterie	28
Indicateur de capacité de la batterie	29
Indicateur de batterie faible	29
Montage au plafond	29
Support mural et plaque cible verte	30
Travailler en mode d'autonivellement	31
Travailler en mode manuel	32
Fonction d'aplomb	33
Détecteur	33
Vérifier la précision	34

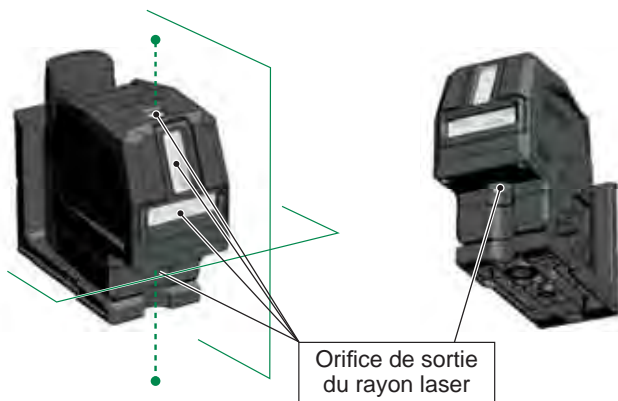
CONSIGNES DE SÉCURITÉ IMPORTANTES



ATTENTION! AVERTISSEMENT! DANGER!

N'utilisez pas ce produit avant d'avoir lu les consignes de sécurité et le manuel de l'utilisateur chargés.

Classement laser



AVERTISSEMENT :

Ce produit fait partie de la classe laser 2 au sens de la norme EN60825-1:2014.



Avertissement :

Ne dirigez pas le rayon laser directement dans les yeux. Le rayon laser peut provoquer de graves lésions oculaires et/ou la cécité.

Ne regardez pas directement dans le rayon laser et ne le pointez pas inutilement vers d'autres personnes.

Attention ! Pour certaines applications, le dispositif à émission laser peut se trouver derrière vous. Dans ce cas, tournez-vous avec précaution.

Avertissement :

N'utilisez pas le laser à proximité d'enfants et ne permettez pas à des enfants de faire fonctionner le laser.

Attention ! Des surfaces réfléchissantes pourraient réfléchir le rayon laser sur l'opérateur ou sur des autres personnes.

Avertissement : L'utilisation d'éléments de contrôle, de sélections ou l'exécution de procédures différentes de celles établies par le guide pourra comporter une dangereuse exposition aux rayons.

Si le laser est déplacé d'un environnement très froid à un environnement chaud (ou inversement), attendez qu'il est atteint la température ambiante avant de l'utiliser.

Ne stockez pas le laser à l'extérieur et protégez-le des chocs, des vibrations permanentes et des températures extrêmes.

Protéger le dispositif de mesure laser contre les poussières, les liquides et la haute humidité de l'air. Les facteurs susdits pourraient endommager gravement les composants internes ou influencer négativement sa précision.

Si le rayon laser vous atteint, fermez les yeux et détournez immédiatement la tête.

Veillez à positionner le rayon laser de manière à ce qu'il n'éblouisse personne.

Ne regardez pas dans le rayon laser avec des appareils de grossissement optique, tels que des jumelles ou des télescopes. En effet, cela augmente le risque de lésions oculaires graves.

Veillez noter que les lunettes laser sont conçues pour vous aider à voir les lignes laser, mais ne protègent pas vos yeux du rayonnement laser.

Les panneaux d'avertissement sur l'appareil laser ne doivent pas être enlevés ou rendus illisibles.

Ne démontez pas le laser. Le rayonnement laser peut causer des blessures oculaires graves.

Avant de transporter le laser, assurez-vous que le mécanisme de verrouillage du pendule est enclenché.

Remarque : Si le mécanisme de verrouillage du pendule n'est pas enclenché, des dommages peuvent se produire à l'intérieur de l'appareil pendant le transport.

Ne pas utiliser des détergents agressifs ou des solvants. Nettoyer uniquement avec un chiffon propre et doux.

Protégez le laser contre les chocs et les chutes violentes. Après une chute ou un fort impact mécanique, vérifiez la précision de l'appareil avant de l'utiliser.

Les réparations éventuellement nécessaires sur le dispositif au laser sont à effectuer exclusivement par du personnel spécialisé autorisé !

N'utilisez pas le produit dans des zones à risque d'explosion ou dans des environnements agressifs.

En cas de non-utilisation de l'appareil pendant une période prolongée, retirez les piles du compartiment à piles. Cela permet d'éviter que les piles ne fuient et les dommages de corrosion qui en découlent.



Ne pas jeter les batteries déchargées avec les ordures ménagères. Les amener à un point de collecte prévu à cet effet pour une élimination conforme aux prescriptions environnementales nationales ou locales. Ne pas jeter le produit avec les ordures ménagères. Éliminer le produit conformément aux prescriptions nationales en vigueur dans le pays d'utilisation. Suivre les règles de recyclage en vigueur sur le plan national, spécifiques au produit. Contactez les autorités locales ou le détaillant pour avoir des renseignements concernant la mise à la ferraille.



Marque de conformité européenne

ENTRETIEN

Nettoyez la lentille et le boîtier du laser avec un chiffon doux et propre. N'utilisez pas de solvants.

Même si le laser résiste dans une certaine mesure à la poussière et à la saleté, il convient de ne pas le stocker dans un endroit poussiéreux pendant une longue période, car cela pourrait endommager les pièces mobiles internes.

Si le laser est mouillé, séchez-le avant de le mettre dans la mallette de transport afin d'éviter tout dégât occasionné par la rouille.

CARACTÉRISTIQUES TECHNIQUES

Classe de laser	2
Plage d'autonivellement	± 4°
Durée d'autonivellement	3 s
Type de batterie	Li-Ion
Tension CC	12V ---
Indice de protection (protection contre les projections d'eau et la poussière)	IP54*
Altitude max.	2000 m
Humidité relative de l'air max.	80%
Degré de pollution selon norme CEI 61010-1	2**
Durée d'impulsion t_p	≤ 80 μs
Fonctions	ligne horizontale, ligne verticale, lignes transversales, fonction d'aplomb (2 points)
Fréquence	10 kHz
Projections	2 lignes vertes, 2 points verts
Quantité de diode	2
Type de diode	30 mW
Modèle de sortie de ligne laser	Horizontale unique, verticale unique + 2 points d'aplomb de haut en bas, en croix + 2 points d'aplomb (de haut en bas).
Durée de fonctionnemen	15 heures avec accu interchangeable M12 3.0 Ah
Filetage pour trépied	1/4" / 5/8"
Détecteur adapté	Milwaukee LLD50

Ligne du laser	Largeur < 9,53mm @ 30m Longueur d'onde 510 - 530 nm Classe de laser II Puissance max. ≤ 7 mW Précision +/- 3 mm / 10 m Angle d'ouverture ligne verticale > 120°; ligne horizontale > 114° Couleur vert Portée 38 m (avec détecteur 50 m)
Point d'aplomb	Longueur d'onde du point laser 510 - 530 nm Classe de laser II Puissance max. du point laser < 1 mW Précision de l'aplomb +/- 3 mm / 10 m Couleur du point laser vert Portée 30 m
Température de fonctionnement recommandée	-10 °C à +40 °C
Température de stockage	-20 °C à +50 °C
Batteries conseillées	M12 B...
Dimensions	170 mm x 82 mm x 148 mm
Poids (avec piles)	1205 g

* La batterie au lithium-ion et le compartiment de la batterie ne bénéficient pas de l'indice de protection IP54

** Seule une contamination non conductrice se produit, mais une conductivité temporaire causée par la condensation est parfois attendue.

UTILISATION CONFORME AUX PRESCRIPTIONS

Le produit est conçu pour être utilisé de préférence dans un espace clos. En cas d'usage en plein air, il convient de s'assurer que les conditions générales correspondent à celles d'un usage en espace clos.

Ce laser innovant est conçu pour un large éventail d'applications professionnelles, dont :

- L'alignement des carreaux, des plaques de marbre, des armoires, des bordures, des moulures et des garnitures.
- Le marquage des lignes de base pour l'installation de portes, fenêtres, rails, escaliers, clôtures, portails, vérandas et pergolas.
- Il est conçu pour déterminer et contrôler les lignes horizontales et verticales.
- Nivellement des plafonds suspendus et des tuyaux, cloisonnement des fenêtres et alignement des tuyaux, nivellement des murs extérieurs pour les installations électriques

Ce produit ne doit être utilisé que dans le cadre de l'utilisation conforme décrite.

Point d'aplomb

Fenêtre de ligne laser verticale

Fenêtre de la ligne laser horizontale

Bouton de mode
Appui court: Choisissez entre les lignes laser:
- horizontal
- vertical + fonction d'aplomb
- lignes croisées + fonction d'aplomb
changer de mode normal / mode d'économie d'énergie

Affichage LED capacité de la batterie

Micro réglage 20 ° (+/- 10 ° du centre)

Point d'aplomb

Montage sur trépied 5/8 "

Montage sur trépied 1/4 "



Affichage laser LED ligne

- horizontal
- vertical §
- + croix

M12 Batterie

Marquage du faisceau laser horizontal

bouton rotatif

- OFF Arrêt / verrouillé
- ON Mode marche / manuel
- ON mode on / self leveling

Support magnétique

Montage au plafond



ÉQUIPEMENT

Accessoires - Non inclus dans l'équipement standard, disponibles comme accessoires.

Terminal LM360



Détecteur LLD50

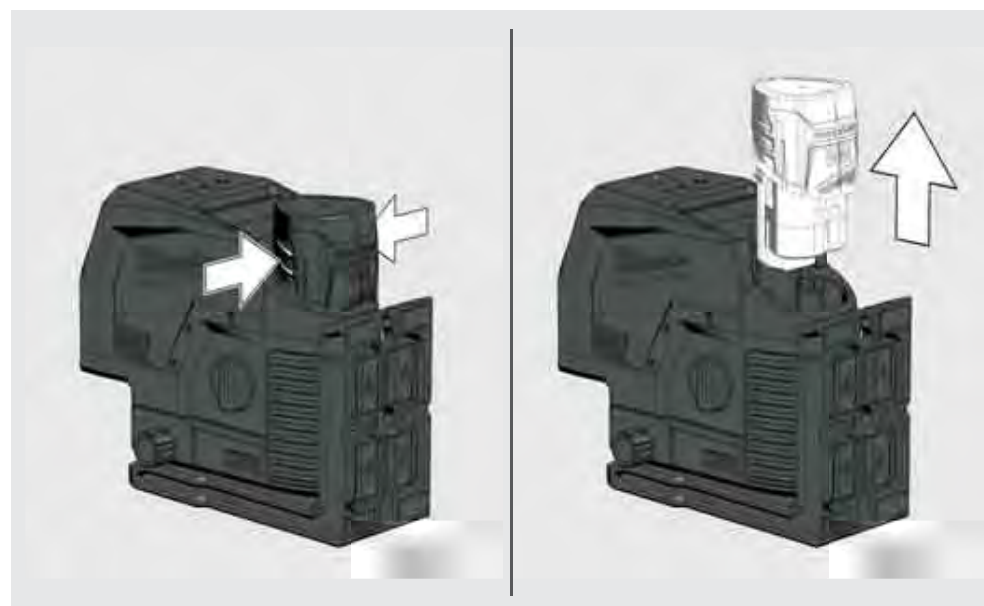
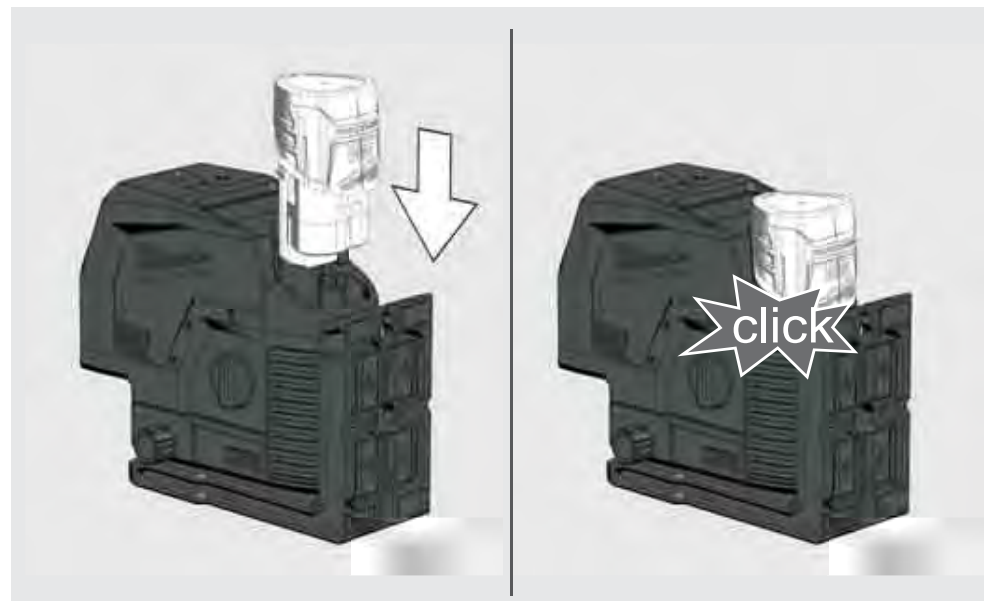


Trépied TRP180



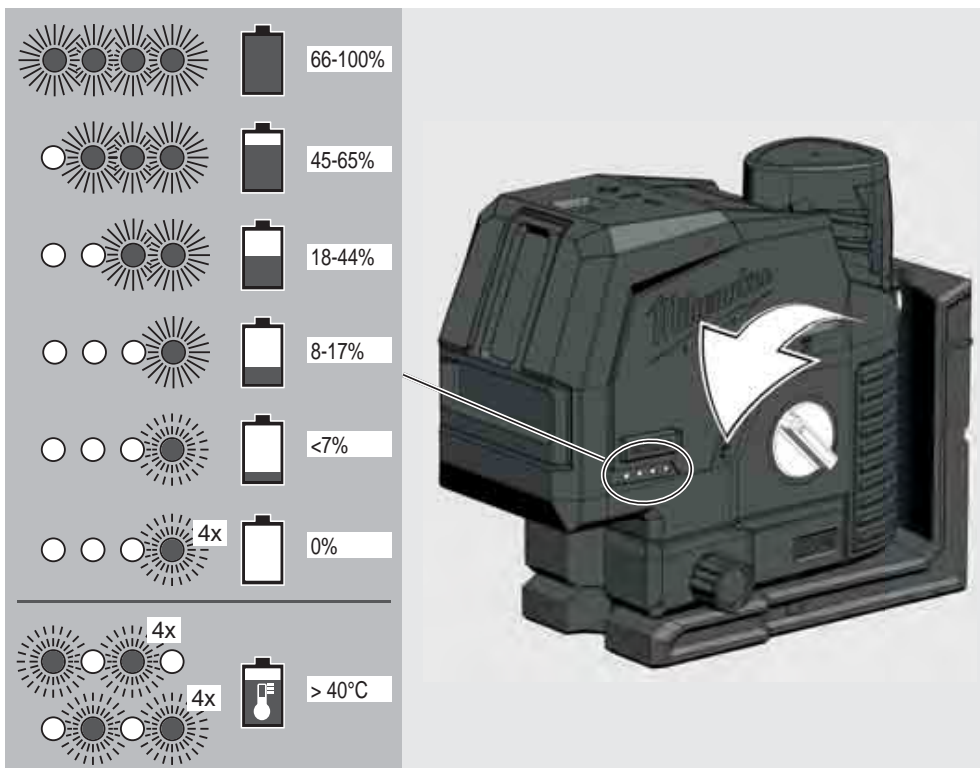
CHANGER LA BATTERIE

Utilisez uniquement une batterie rechargeable Milwaukee M12.



INDICATEUR DE CAPACITÉ DE LA BATTERIE

Après avoir allumé ou éteint le laser, l'indicateur de capacité de la batterie indique la capacité de la batterie.



INDICATEUR DE BATTERIE FAIBLE

Lorsque la tension est basse, le laser passe en mode d'économie d'énergie.

Le laser clignote en mode de mise à niveau automatique

4 sec. 1 sec.

Le laser clignote en mode manuel

8 sec. 1 sec.

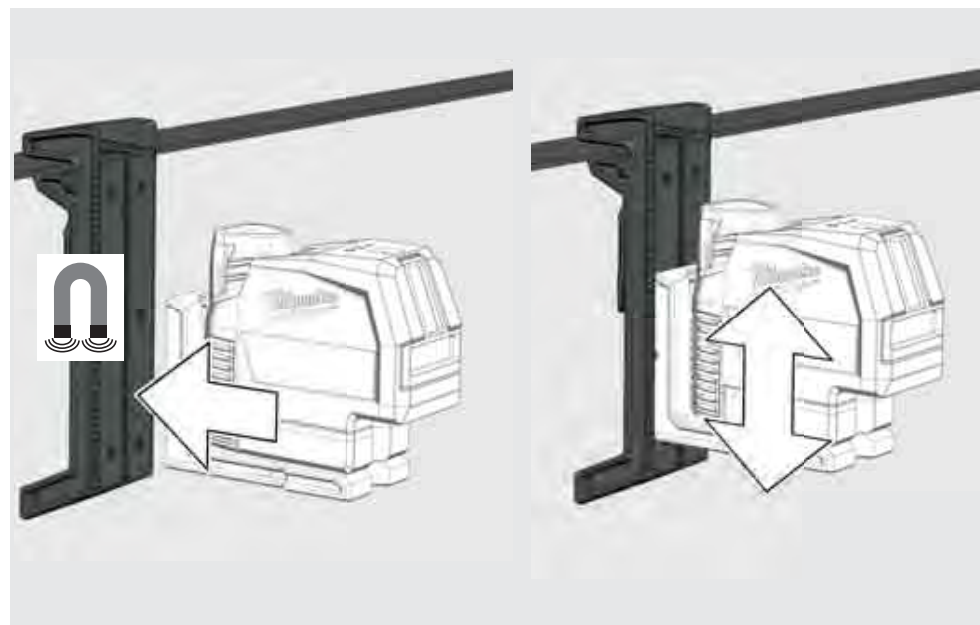
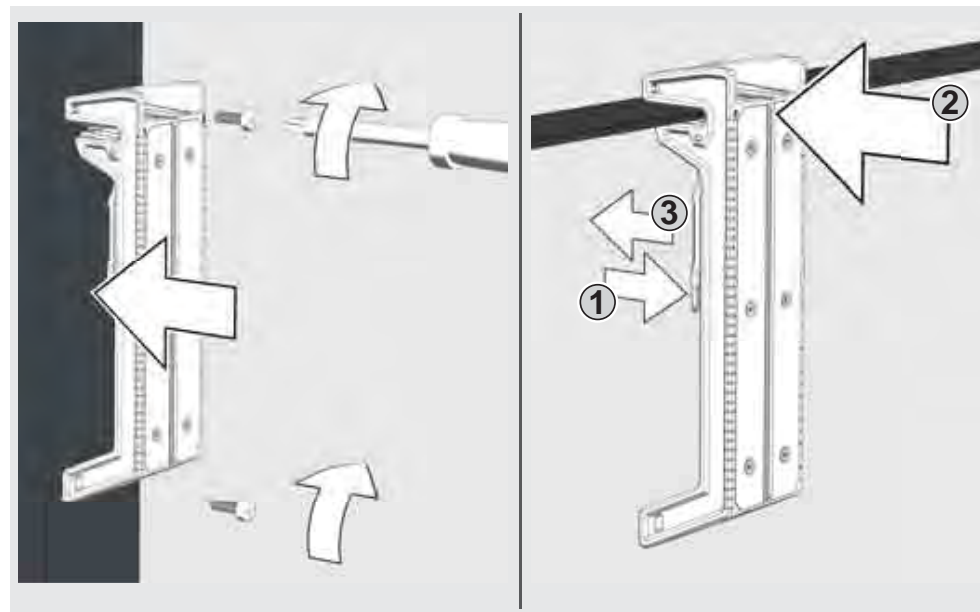
Il est désormais possible de poursuivre le travail.

Si la tension est trop basse, le laser et la LED clignotent 4 fois et s'éteignent automatiquement.

MONTAGE AU PLAFOND

Fixez le clip de piste avec des vis à un pilier.

Utilisez le support de plafond pour fixer le laser aux canaux de plafond, aux racks ...

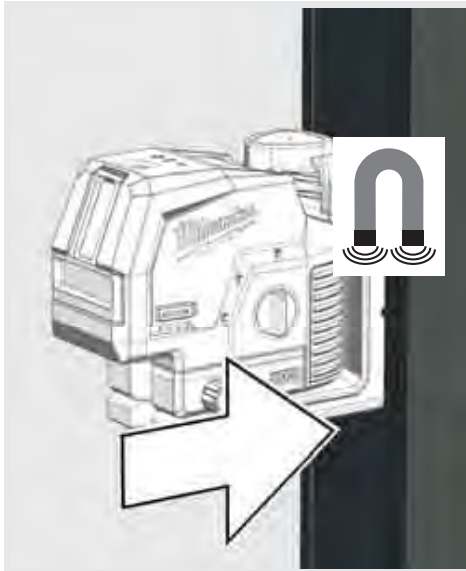


SUPPORT MURAL ET PLAQUE CIBLE VERTE

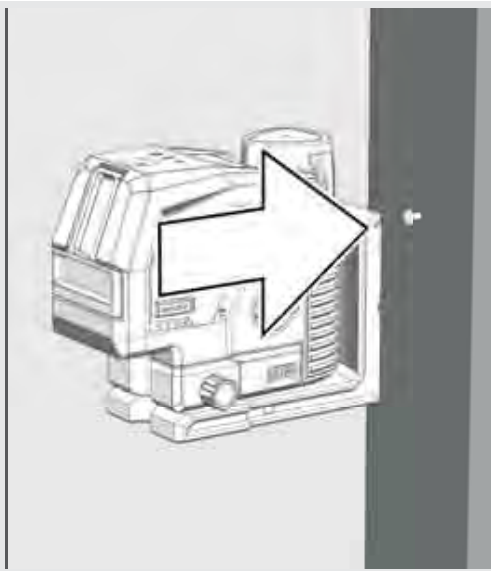
Le support mural magnétique permet de fixer le laser aux murs, aux structures métalliques, etc.

Ou fixer avec une vis ou un clou sur un pilier.

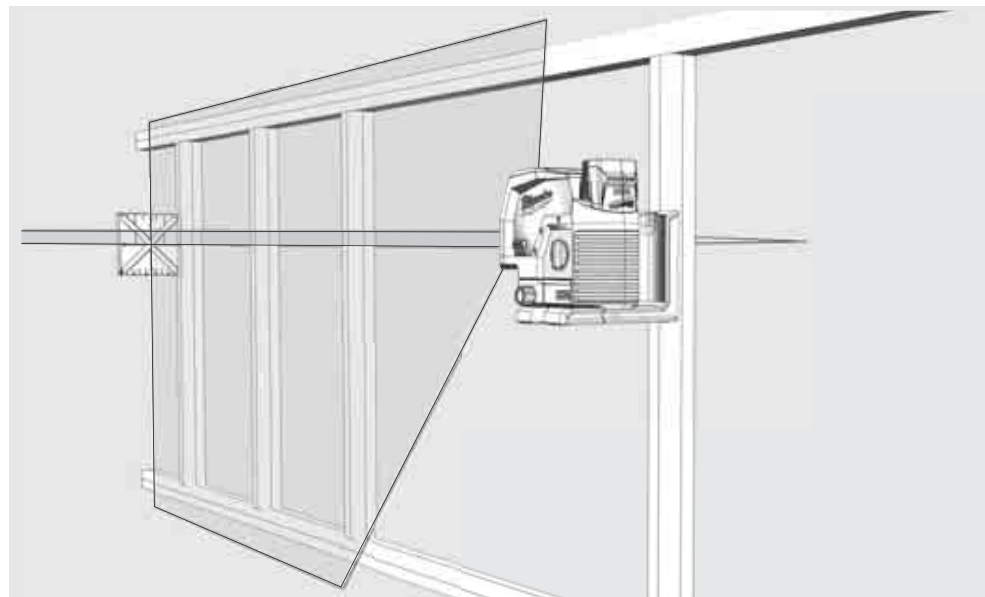
Utilisez la plaque cible verte pour améliorer la visibilité du faisceau laser dans des conditions défavorables et à de plus grandes distances.



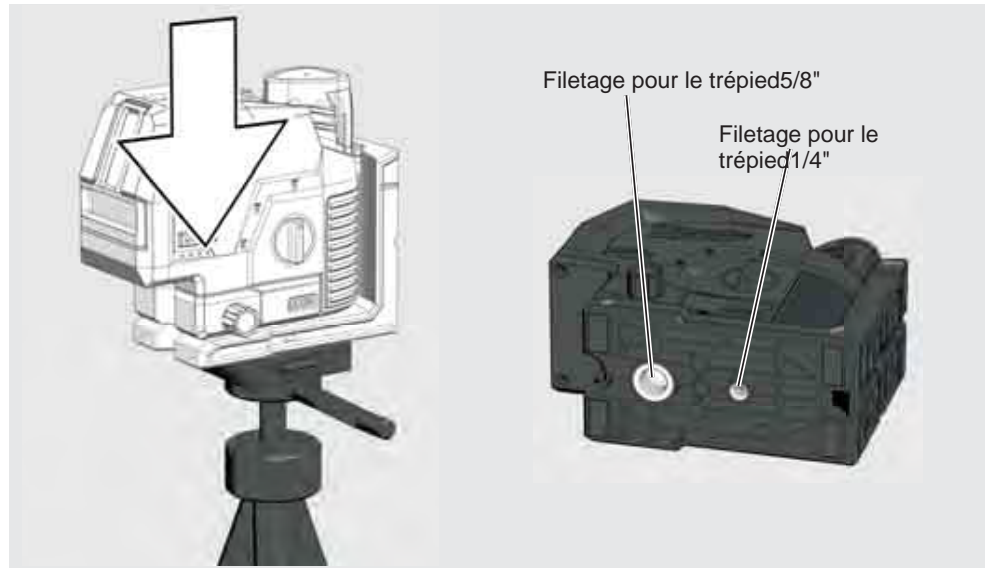
Tournez le laser à 360 °.



Utilisez le bouton de réglage pour le micro-ajustement du pivot à 20°



Utilisez le support de trépied pour fixer le laser sur un trépied.



TRAVAILLER EN MODE D'AUTONIVELLEMENT

En mode d'autonivellement, le laser s'aligne dans une plage de $\pm 4^\circ$. Pour ce faire, l'appareil projette une ligne horizontale, une ligne verticale ou les deux lignes simultanément et aussi un point d'aplomb en haut et en bas.


1

Placez le laser sur une surface solide, plane et sans vibrations ou montez-le sur un trépied.



Boulon fileté 1/4"
Boulon fileté 5/8"

2

Tournez le commutateur rotatif sur:  ON.

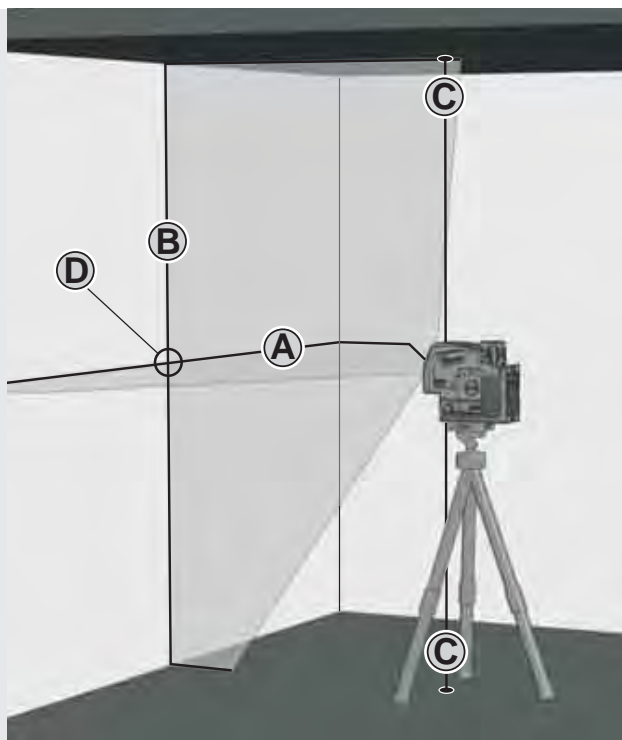


3

Le laser génère 2 lignes laser.

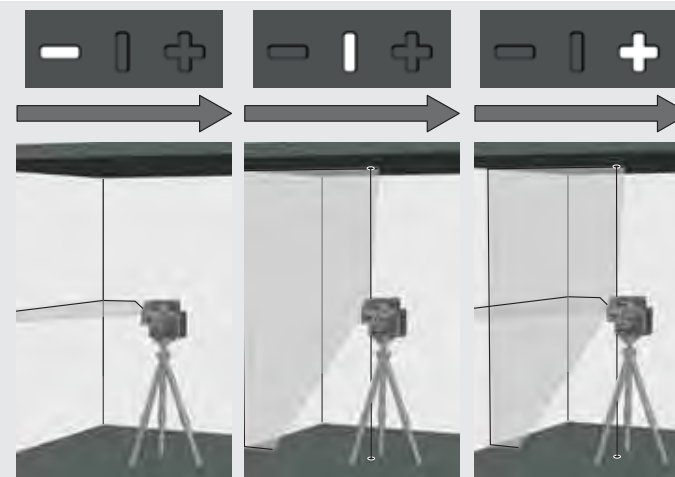
(A) Ligne horizontale vers l'avant
(B) Ligne verticale vers l'avant
(C) Point laser

(D) Lorsque toutes les lignes sont activées, le laser crée des lignes transversales vers l'avant.



4

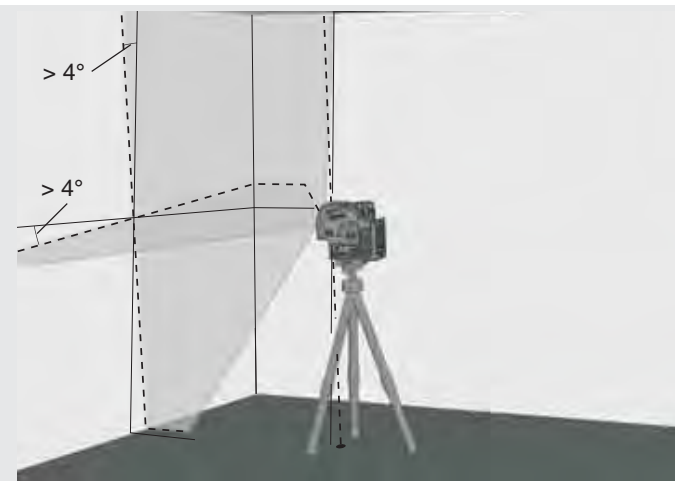
Sélectionnez les lignes souhaitées à l'aide de la touche MODE.




5

Si le laser n'est pas initialement aligné à $\pm 4^\circ$ lorsque l'autonivellement est activé, les lignes laser clignotent.

Dans ce cas, repositionnez le laser.



6

Avant de déplacer le laser, tournez le commutateur rotatif sur  OFF. Cela permettra de verrouiller le pendule et de protéger le laser.



TRAVAILLER EN MODE MANUEL

En mode manuel, la fonction d'autonivellement est désactivée et il est possible d'ajuster le laser à n'importe quelle inclinaison des lignes laser.

1

Placez le laser sur une surface solide, plane et sans vibrations ou montez-le sur le trépied.



2

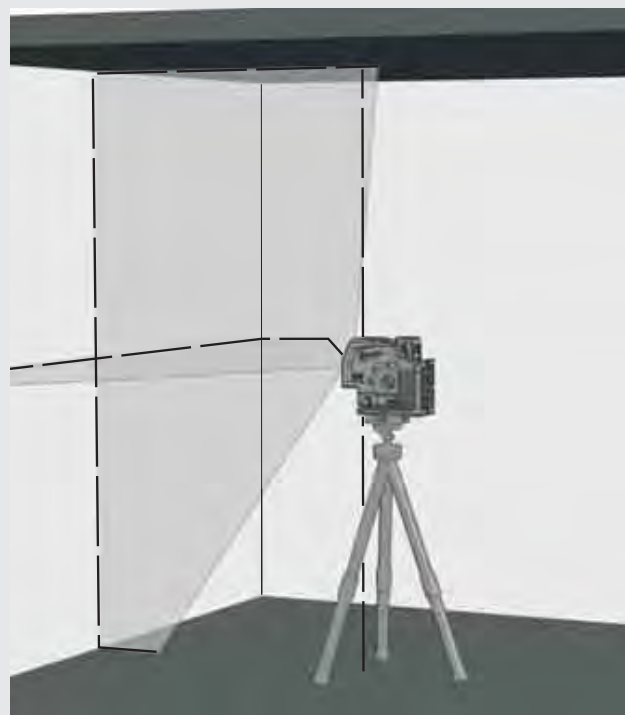
Tournez le commutateur rotatif sur: **ON**.



3

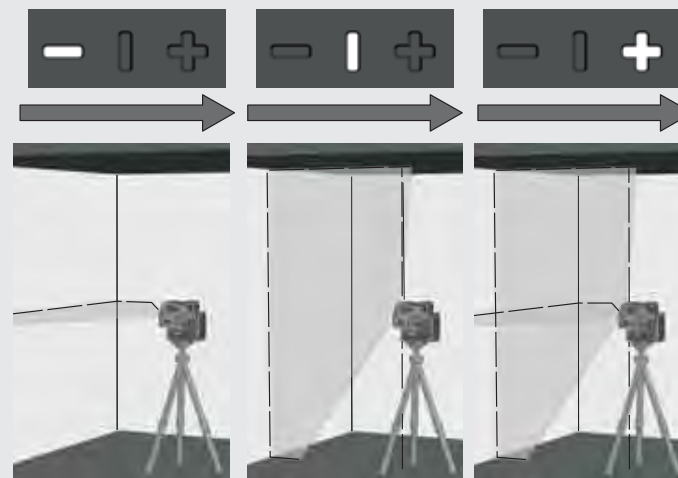
Comme en mode d'autonivellement, le laser génère 2 lignes laser, mais celles-ci sont interrompues toutes les 8 secondes.

8 sec 8 sec 8 sec



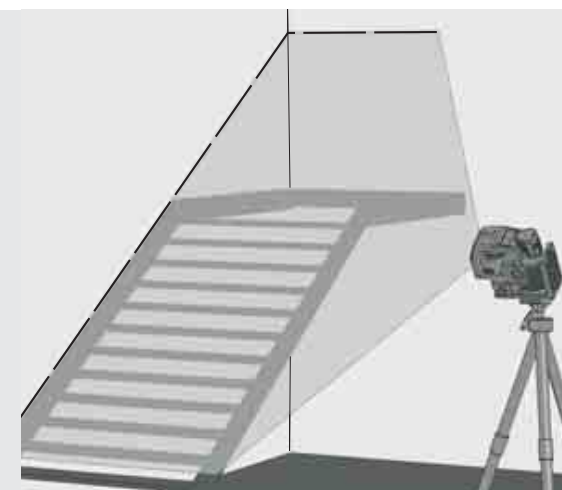
4

Sélectionnez les lignes souhaitées à l'aide de la touche MODE.



5

À l'aide du trépied, ajustez le laser à la hauteur et à l'inclinaison souhaitées.



6

Pour quitter le mode manuel,

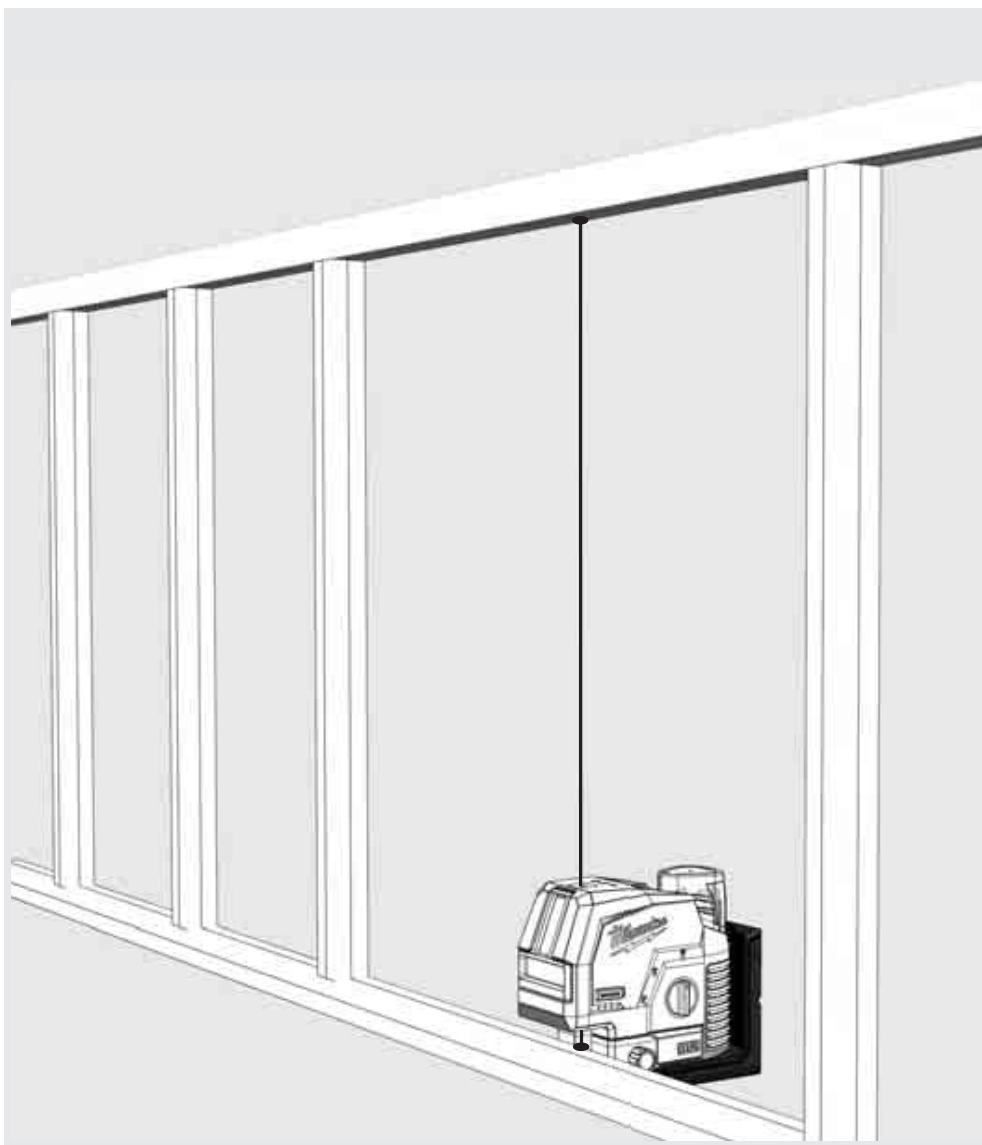
Tournez le commutateur rotatif sur: **ON**.

ou
tournez le commutateur rotatif sur: **OFF**.



FONCTION D'APLOMB

La fonction d'aplomb permet de projeter un point du sol perpendiculairement au plafond.
La fonction d'aplomb est utilisée, par exemple, pour transférer un point de référence pour les installations d'éclairage et de ventilation ou pour transférer des hauteurs.

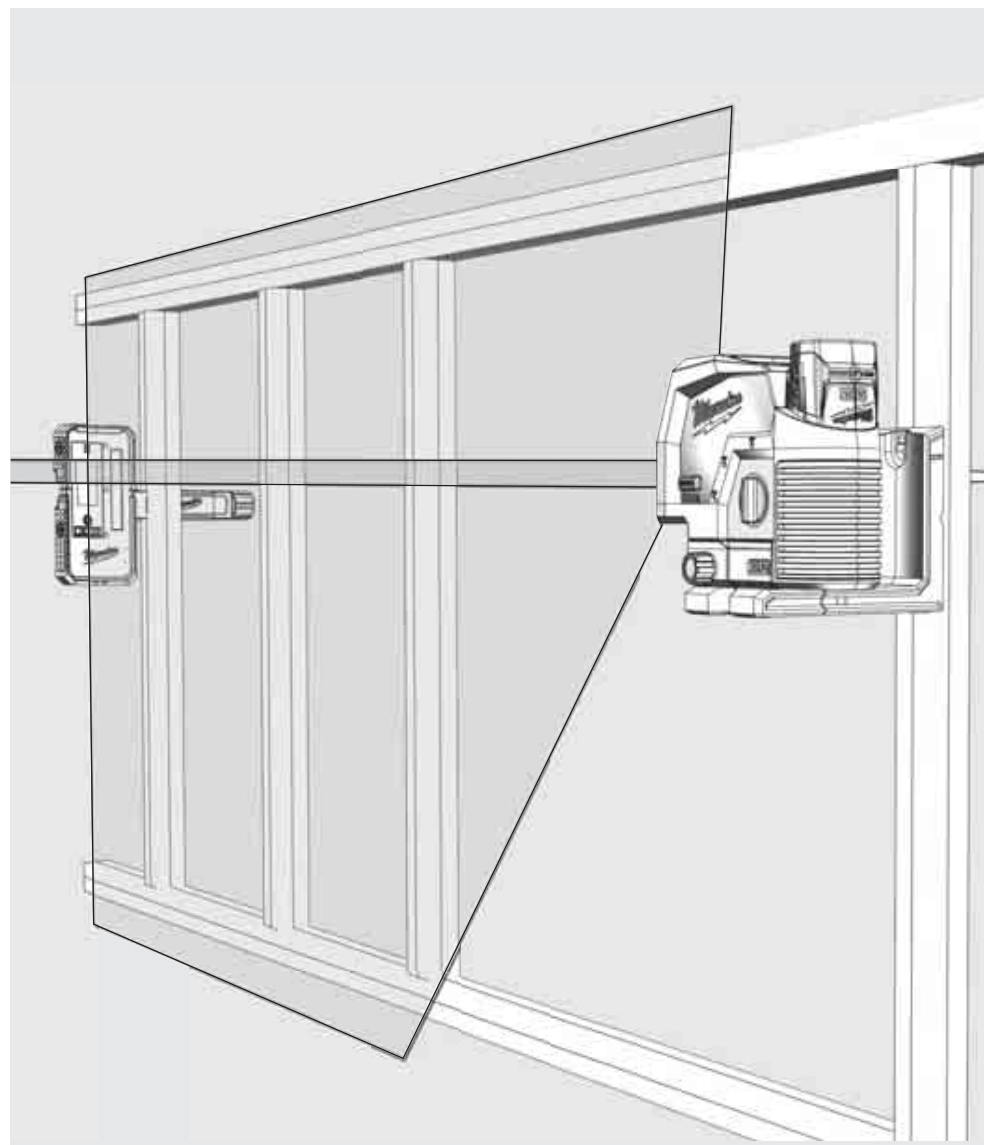


DÉTECTEUR

Pour le travail à l'extérieur en plein soleil ou dans des conditions de forte luminosité, et pour les applications intérieures avec une portée allant jusqu'à 50 m, utilisez le détecteur Milwaukee.

Le détecteur n'est pas inclus dans la livraison et doit être commandé séparément.

Pour obtenir des informations détaillées sur le mode d'utilisation du détecteur, consultez le mode d'emploi du détecteur.



VÉRIFIER LA PRÉCISION

Le laser est entièrement calibré à l'usine. Milwaukee recommande de vérifier régulièrement la précision du laser, en particulier après une chute ou suite à des erreurs de fonctionnement.

Si l'écart maximal est dépassé lors de la vérification de la précision, veuillez contacter l'un de nos centres de service Milwaukee (voir la liste incluant les conditions de garantie et les adresses des centres de service).

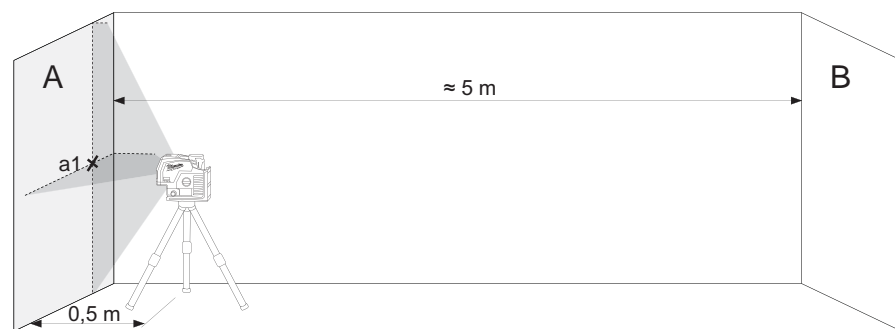
1. Vérifiez la précision de la hauteur de la ligne horizontale.
2. Vérifiez la précision de nivellement de la ligne horizontale.
3. Vérifiez la précision de nivellement de la ligne verticale.
4. Vérifier la précision de l'aplomb.

Avant de vérifier la précision du laser monté sur le trépied, vérifiez la mise à niveau du trépied.



1 VÉRIFIEZ LA PRÉCISION DE LA HAUTEUR DE LA LIGNE HORIZONTALE (DÉVIATION VERS LE HAUT ET VERS LE BAS)

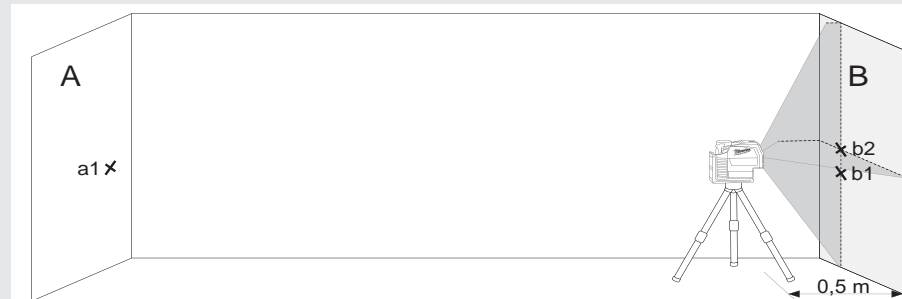
1. Placez le laser sur un trépied ou sur une surface plane entre deux murs A et B séparés d'environ 5 m.
2. Positionnez le laser à environ 0,5 m du mur A.
3. Activez le mode d'autonivellement et appuyez sur la touche pour projeter les lignes horizontale et verticale sur le mur A.
4. Marquez l'intersection des deux lignes comme le point a1 sur le mur A.



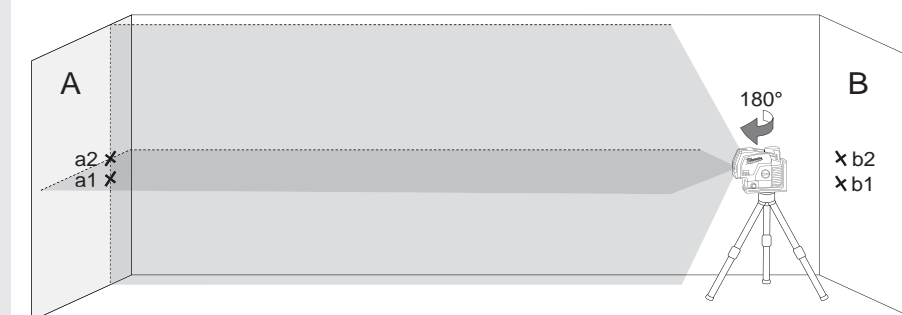
5. Tournez le laser de 180° en direction du mur B et marquez l'intersection des deux lignes comme le point b1 sur le mur B.



6. Placez le laser à environ 0,5 m du mur B.
7. Marquez l'intersection des deux lignes comme le point b2 sur le mur B.



8. Tournez le laser de 180° en direction du mur A et marquez l'intersection des deux lignes comme le point a2 sur le mur A.



9. Mesurez les distances :

$$\Delta a = |a2 - a1|$$

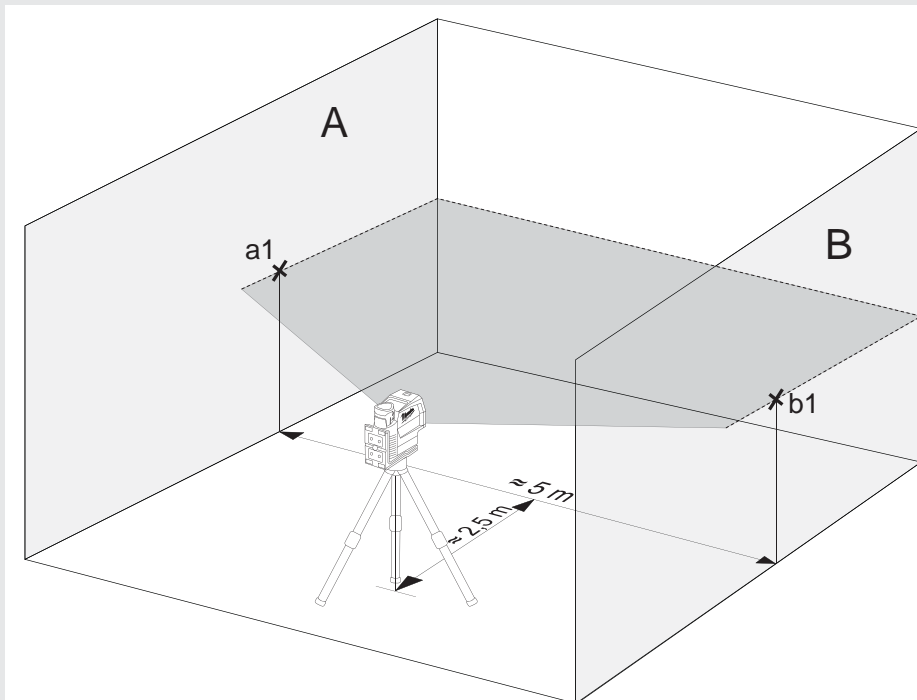
$$\Delta b = |b1 - b2|$$

10. La différence $|\Delta a - \Delta b|$ ne doit pas dépasser 2 mm.

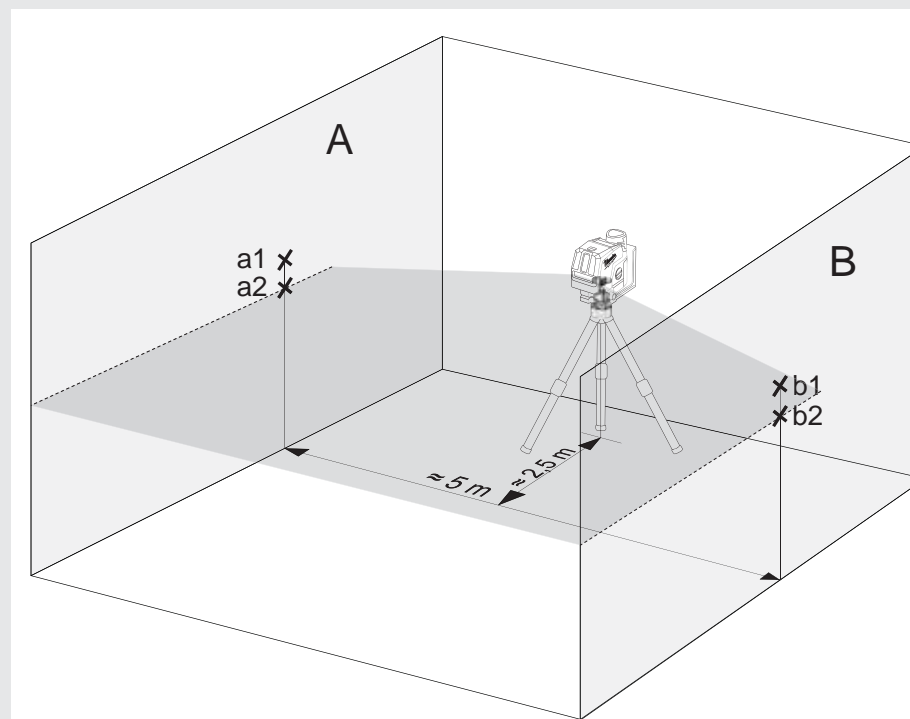
2 VÉRIFIER LA PRÉCISION DE NIVELLEMENT DE LA LIGNE HORIZONTALE. (ÉCART D'UN CÔTÉ À L'AUTRE)

Pour cette vérification, une zone libre d'environ 5 x 5 m est nécessaire.

1. Placez le laser sur un trépied ou sur une surface solide entre deux murs A et B séparés d'environ 5 m.
2. Placez le laser à environ 2,5 m au centre de la pièce.
3. Activez le mode d'autonivellement et appuyez sur la touche pour projeter la ligne horizontale sur les murs A et B.
4. Marquez le centre de la ligne laser d'un point a1 sur le mur A et d'un point b1 sur le mur B.



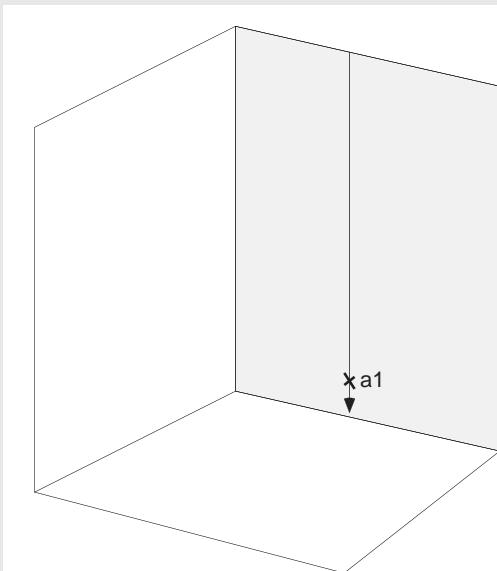
5. Déplacez le laser d'environ 5 m et faites-le pivoter de 180°, puis projetez à nouveau la ligne horizontale sur les murs A et B.
6. Marquez le centre de la ligne laser d'un point a2 sur le mur A et d'un point b2 sur le mur B.



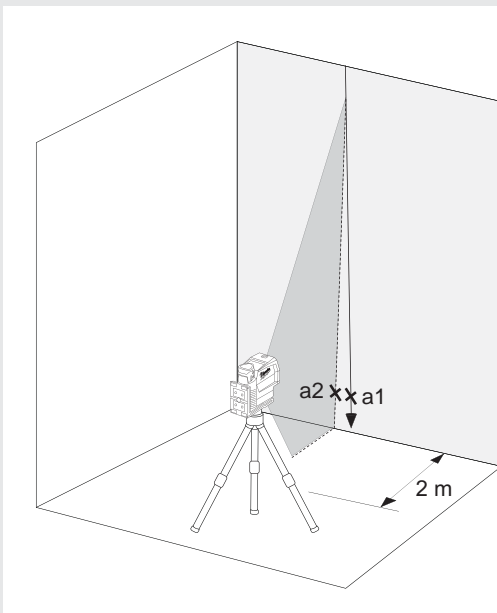
7. Mesurez les distances :
 $\Delta a = |a2 - a1|$
 $\Delta b = |b1 - b2|$
8. La différence $|\Delta a - \Delta b|$ ne doit pas dépasser 2 mm.

3 VÉRIFIER LA PRÉCISION DE NIVELLEMENT DE LA LIGNE VERTICALE

1. Accrochez un fil à plomb d'environ 4 m de long à un mur.
2. Une fois le fil à plomb posé, marquez le point a1 au-dessus du cône de plomb sur le mur.



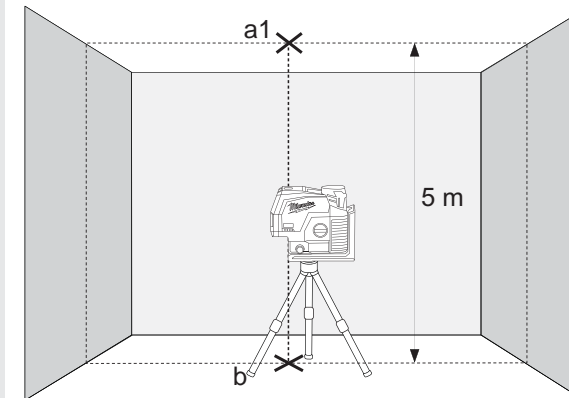
3. Placez le laser sur un trépied ou sur une surface plane à une distance d'environ 2 m du mur.
4. Activez le mode d'autonivellement et appuyez sur la touche pour projeter la ligne verticale sur le fil à plomb.
5. Faites tourner le laser de manière à ce que la ligne verticale corresponde à la suspension du fil à plomb.
6. Marquez le point a2 au milieu de la ligne verticale à la même hauteur que le point a1 sur le mur.
7. La distance entre a1 et a2 ne doit pas dépasser 1 mm.



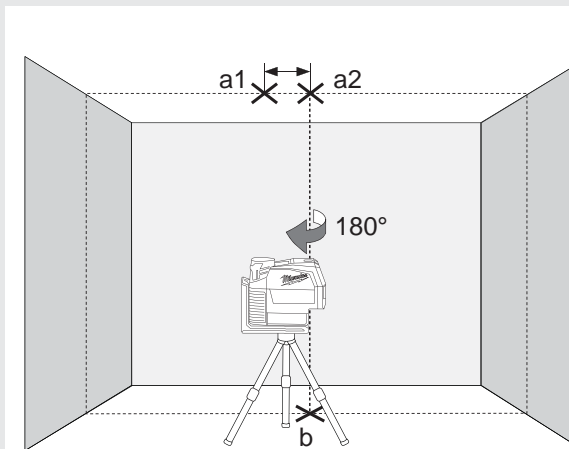
4 VÉRIFIER LA PRÉCISION DE L'APLOMB

Pour cette vérification, une pièce ayant une hauteur de plafond d'au moins 5 m est requise.

1. Installez le laser croisé sur un trépied.
2. Activez le mode de mise à niveau automatique et appuyez sur le bouton-poussoir pour passer à la fonction dodue.
3. Marquez le point d'aplomb supérieur du plafond comme le point a1 (voir l'illustration).
4. Marquez le point d'aplomb inférieur sur le sol comme le point b.



5. Faites pivoter le laser de 180° et positionnez-le de manière à ce que le centre du point d'aplomb tombe sur le point b déjà marqué et attendez que l'appareil se soit mis à niveau.
6. Marquez le point d'aplomb supérieur du plafond comme le point a1 (voir l'illustration).
7. La distance entre les points a1 et a2 du plafond indique l'écart de la ligne laser par rapport à la perpendiculaire idéale. Pour une distance de mesure de 5 m, l'écart maximal admissible est de : $5 \text{ m} \times (\pm 0,6 \text{ mm/m}) \times 2 = \pm 6 \text{ mm}$.
8. La distance entre a1 et a2 ne doit pas dépasser 6 mm.



INDICE

Importanti istruzioni di sicurezza	37
Manutenzione	38
Dati tecnici	38
Utilizzo conforme alla destinazione d'uso	38
Panoramica	39
Attrezzatura	40
Sostituire la batteria	40
Indicatore di capacità della batteria	41
Indicatore di batteria scarica	41
Montaggio a soffitto	41
Supporto da parete e targhetta verde	42
Lavorare in modalità autolivellante	43
Lavorare in modalità manuale	44
Funzione punto a piombo	45
Rivelatore	45
Controllare la precisione	46

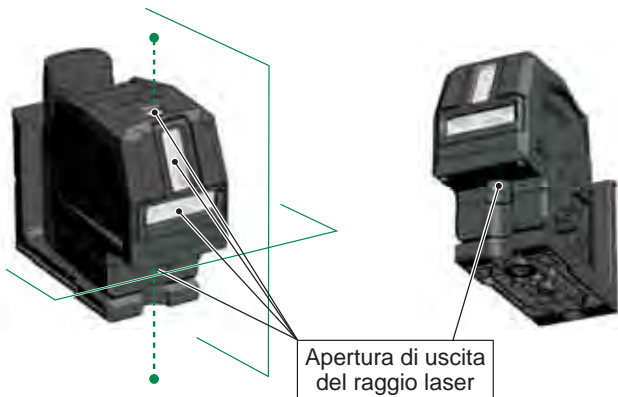
IMPORTANTI ISTRUZIONI DI SICUREZZA



ATTENZIONE! AVVERTENZA! PERICOLO!

Non usare il prodotto prima di avere studiato le Istruzioni di sicurezza e il Manuale d'uso.

Classifica laser



AVVERTENZA:

Si tratta di un prodotto laser di classe 2 conforme a EN60825-1:2014 .



Avvertenza:

Non esporre gli occhi direttamente al raggio laser. Il raggio laser può causare gravi danni agli occhi e/o cecità.

Non guardare direttamente nel raggio laser e non puntare il raggio verso altre persone senza che ciò sia necessario.

Attenzione! In alcune applicazioni, il dispositivo di emissione laser può trovarsi dietro l'utilizzatore. In questo caso voltarsi con cautela.

Avvertenza:

Non azionare il laser intorno a bambini o permettere a bambini di azionare the laser.

Attenzione! Superfici riflettenti potrebbero fare riflettere il raggio laser sull'operatore o su altre persone.

Avvertenza: L'uso di elementi di controllo, di impostazioni oppure l'esecuzione di procedimenti diversi da quelli stabiliti nel manuale può comportare una pericolosa esposizione ai raggi.

Se il laser viene spostato da un ambiente molto freddo a uno caldo (o viceversa), deve raggiungere la temperatura ambiente prima dell'uso.

Non conservare il laser all'aperto e proteggerlo da urti, vibrazioni prolungate e temperature estreme.

Proteggere il dispositivo di misura a laser da polveri, liquidi ed elevata umidità dell'aria. I suddetti fattori potrebbero danneggiare gravemente i componenti interni o influenzare negativamente la precisione.

Se il raggio laser dovesse colpire l'occhio, chiudere gli occhi e allontanare immediatamente la testa dal raggio ruotandola.

Fare attenzione a posizionare il raggio laser in modo che l'utilizzatore o altre persone non ne siano abbagliati.

Non guardare nel raggio laser con ingranditori ottici, come binocoli o telescopi. Altrimenti aumenterebbe il rischio di gravi danni agli occhi.

Si prega di tenere presente che gli occhiali laser servono per aiutare a vedere le linee laser, ma non proteggono gli occhi dalle radiazioni laser.

I segnali di avvertimento sul dispositivo laser non devono essere rimossi o resi illeggibili.

Non smontare il laser. Le radiazioni laser possono causare gravi lesioni agli occhi.

Prima di trasportare il laser, assicurarsi che il blocco del pendolo sia inserito.

Avvertenza: Se il blocco del pendolo non è inserito, durante il trasporto possono verificarsi danni all'interno del dispositivo.


Non usare detergenti aggressivi o solventi. Pulire soltanto con un panno pulito, morbido.


Proteggere il laser da urti violenti e cadute. Dopo una caduta o un forte impatto meccanico, controllare la precisione del dispositivo prima dell'uso.

Le riparazioni eventualmente necessarie sul dispositivo a laser devono essere eseguite esclusivamente da personale specializzato autorizzato!

Non azionare il prodotto in aree a rischio di esplosione o in ambienti aggressivi.

Rimuovere le batterie dal vano batterie prima di un prolungato periodo di non utilizzo del dispositivo. In questo modo si evita la fuoriuscita di liquido dalle batterie e i conseguenti danni da corrosione.

 Non smaltire le batterie scariche assieme ai rifiuti domestici. Al fine di garantire il rispetto dell'ambiente smaltirle presso i punti di raccolta esistenti secondo quanto previsto dalle disposizioni nazionali o locali. Non smaltire il prodotto assieme ai rifiuti domestici. Altire il prodotto correttamente, nel rispetto delle normative vigenti nel paese d'uso. Attenersi alle norme nazionali e locali vigenti in materia. Contattare le autorità locali o il rivenditore per ottenere informazioni sullo smaltimento.

 Marchio di conformità europeo

MANUTENZIONE

Pulire l'obiettivo e l'alloggiamento del laser con un panno morbido e pulito. Non utilizzare solventi.

Anche se il laser è in una certa misura resistente alla polvere e alla sporcizia, non dovrebbe essere conservato in un luogo polveroso per lunghi periodi di tempo, in quanto diversamente le parti interne mobili potrebbero essere danneggiate.

Se il laser si bagna, deve essere asciugato prima di essere riposto nella valigetta di trasporto per evitare danni da ruggine.

DATI TECNICI

Laser classe	2
Range di autolivellamento	$\pm 4^\circ$
Durata dell'autolivellamento	3 s
Tipo di batteria	Li-Ion
Tensione CC	12V $\overline{---}$
Classe di protezione (spruzzi d'acqua e polvere)	IP54*
Altitudine max.	2000 m
Umidità relativa max.	80%
Grado di inquinamento secondo IEC 61010-1	2**
Durata dell'impulso t_p	$\leq 80 \mu s$
Funzioni	linea orizzontale, linea verticale, linee a croce, funzione punto a piombo (2 punti)
Frequenza	10 kHz
Proiezioni	2 linee verdi, 2 punti verdi
Quantità di diodi	2
Tipo di diodo	30 mW
Schema delle linee laser in uscita	Singolo orizzontale, singolo verticale + 2 punti a piombo su e giù, linea trasversale + 2 punti a piombo (su e giù).
Tempo di funzionamento	15 ore con Batteria M12 3.0 Ah
Filettatura del treppiede	1/4" / 5/8"
Rilevatore adatto	Milwaukee LLD50

Linea laser	Larghezza < 9,53mm @ 30m Lunghezza d'onda 510 - 530 nm laser classe II Potenza massima ≤ 7 mW Precisione ± 3 mm / 10 m Angolo di apertura linea verticale > 120°; linea orizzontale > 114° Colore verde Portata 38 m (con rivelatore 50 m)
Punto a piombo	Lunghezza d'onda punto laser 510 - 530 nm laser classe II Potenza max. punto laser < 1 mW Precisione del punto a piombo ± 3 mm / 10 m Colore del punto laser verde Portata 30 m
Temperatura d'esercizio raccomandata	da -10 °C a +40 °C
Temperatura di immagazzinaggio	da -20°C a +50°C
Batterie consigliate	M12 B...
Dimensioni	170 mm x 82 mm x 148 mm
Peso (con batterie)	1205 g

* La batteria agli ioni di litio e il vano batteria sono esclusi dal grado di protezione IP54.

** Si verifica solo inquinamento non conduttivo, anche se occasionalmente si prevede una temporanea conduttività causata dalla condensa.

UTILIZZO CONFORME ALLA DESTINAZIONE D'USO

Il prodotto è preferibilmente destinato all'uso in interni. In caso di utilizzo all'esterno, è necessario assicurarsi che le condizioni ambientali corrispondano a quelle degli ambienti interni.

Questo innovativo laser è stato progettato per una vasta gamma di applicazioni professionali, come ad esempio:

- allineamento di piastrelle, lastre di marmo, armadi, bordi, modanature e guarnizioni
- marcatura delle linee di base per l'installazione di porte, finestre, binari, scale, recinzioni, cancelli, verande e pergolati.
- determinazione e verifica di linee orizzontali e verticali.
- Livellamento di controsoffitti e tubazioni, tramezzatura delle finestre e allineamento delle tubazioni, livellamento delle pareti perimetrali per impianti elettrici

Questo prodotto deve essere utilizzato solo per la destinazione d'uso, come specificato.

Punto a piombo

Finestra della linea laser verticale

Finestra linea laser orizzontale

Pulsante modalità

Pressione breve: scegliere tra le linee laser:

- orizzontale
- verticale + funzione a piombo
- linee a croce + funzione a piombo

Pressione lunga: cambia modalità normale / modalità risparmio energia

Display a LED capacità della batteria




Microregolazione 20° (+/- 10° dal centro)

Punto a piombo

Attacco per treppiede 5/8"

Attacco per treppiede 1/4"

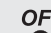


Display laser linea laser

-  orizzontale
-  verticale
-  linea trasversale

M12 Pacco batteria

Marcatura per il raggio laser orizzontale

Manopola

-  OFF Off / bloccato
-  ON Modalità acceso / manuale
-  ON on / modalità autolivellante

Supporto magnetico

Montaggio a soffitto



ATTREZZATURA

Accessori: non inclusi nella dotazione standard, disponibili come accessori.

Terminale LM360



Rivelatore LLD50

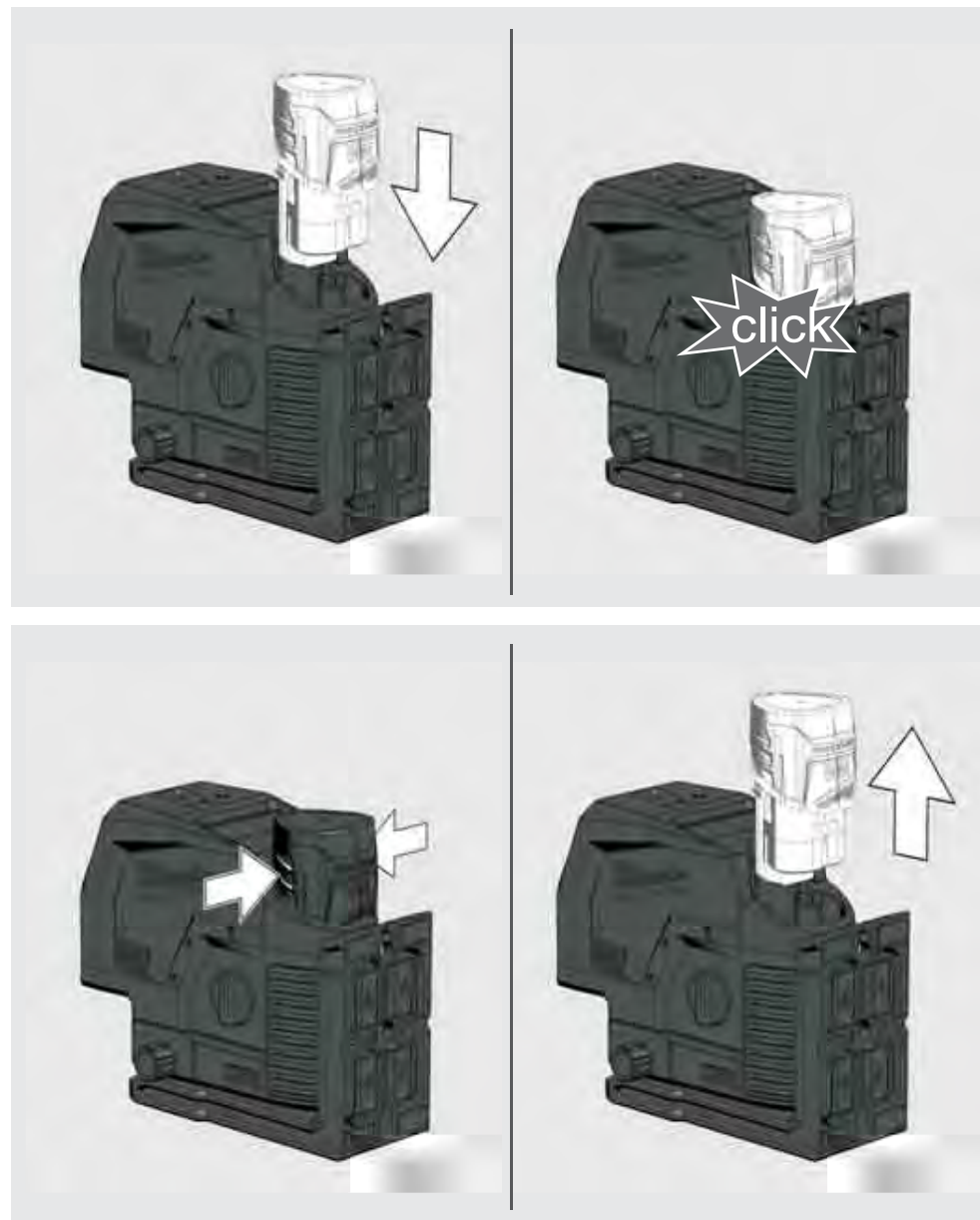


Treppiede TRP180



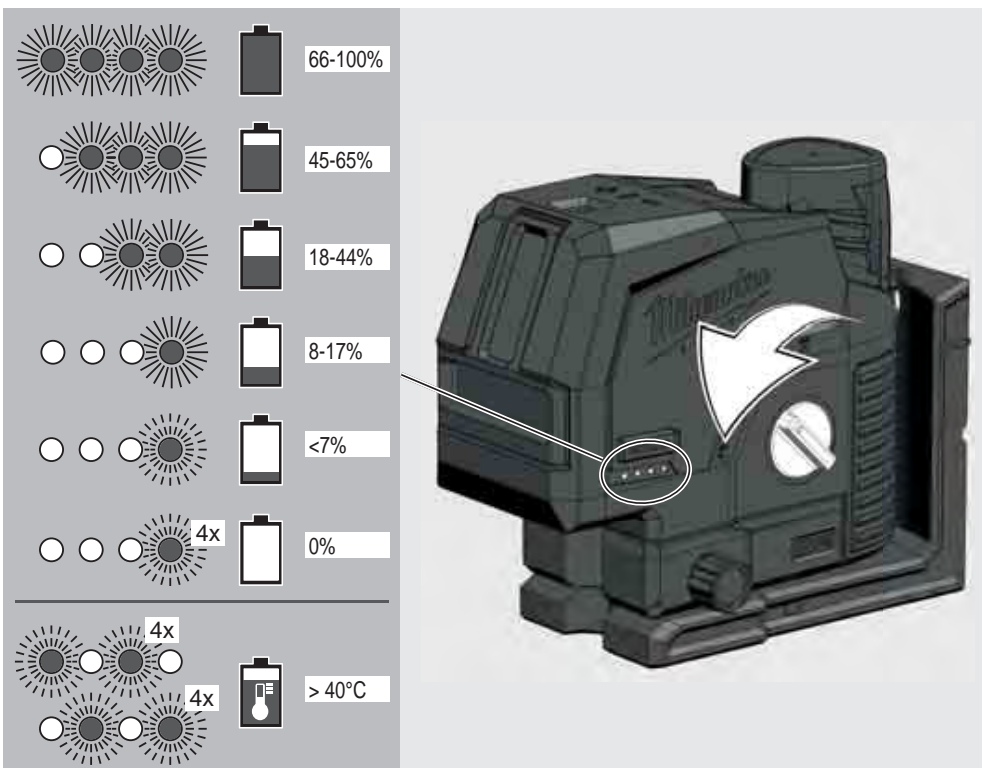
SOSTITUIRE LA BATTERIA

Utilizzare solo una batteria ricaricabile Milwaukee M12.



INDICATORE DI CAPACITÀ DELLA BATTERIA

Dopo aver acceso o spento il laser, l'indicatore del livello di carburante mostrerà la durata della batteria.



INDICATORE DI BATTERIA SCARICA

Quando la tensione è bassa, il laser passa alla modalità di risparmio energetico. Il laser lampeggia in modalità autolivellante

4 sec. 1 sec.

Il laser lampeggia in modalità manuale

8 sec. 1 sec.

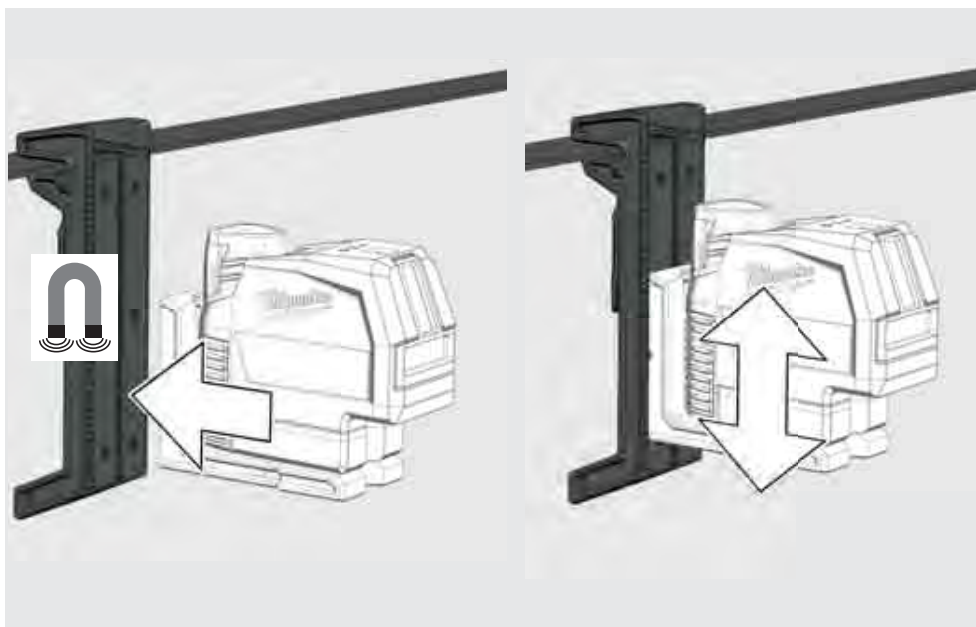
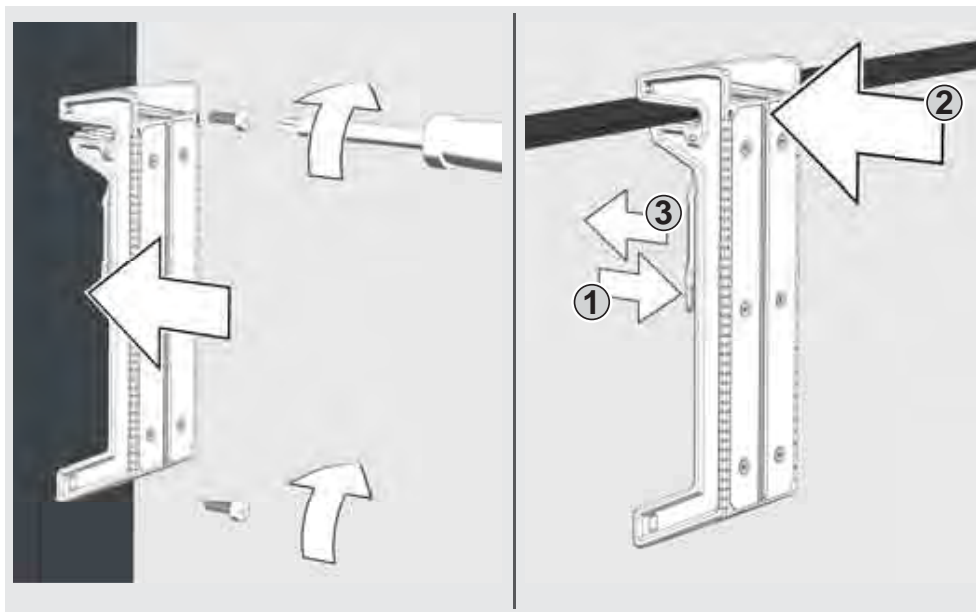
D'ora in poi è ancora possibile continuare il lavoro.

Quando la tensione è troppo bassa, il laser e il LED lampeggiano 4 volte e si spegne automaticamente.

MONTAGGIO A SOFFITTO

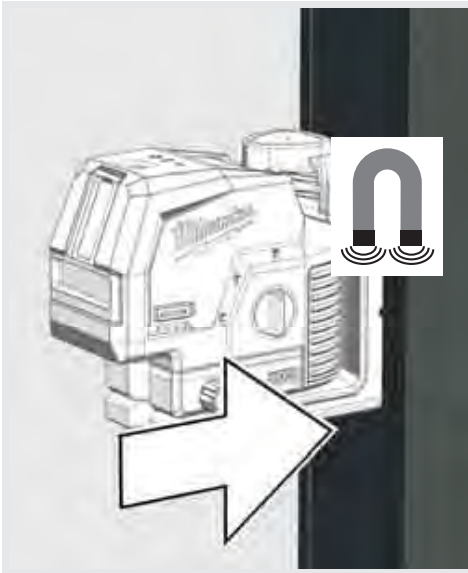
Fissare la clip del binario con le viti su un pilastro.

Utilizzare l'attacco a soffitto per fissare il laser ai canali a soffitto, rack ...



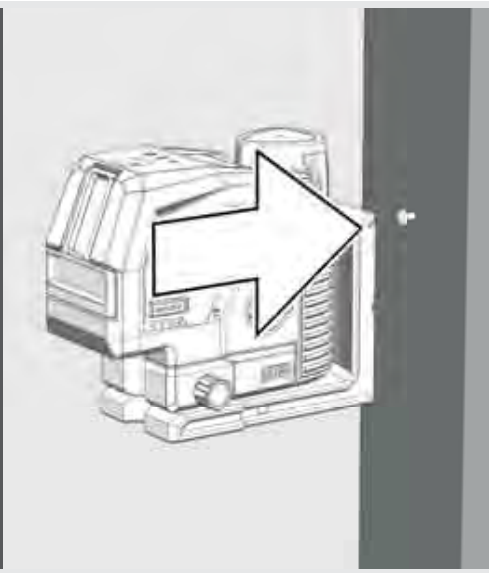
SUPPORTO DA PARETE E TARGHETTA VERDE

Con il supporto magnetico a parete il laser può essere montato su pareti, strutture metalliche o superfici simili.



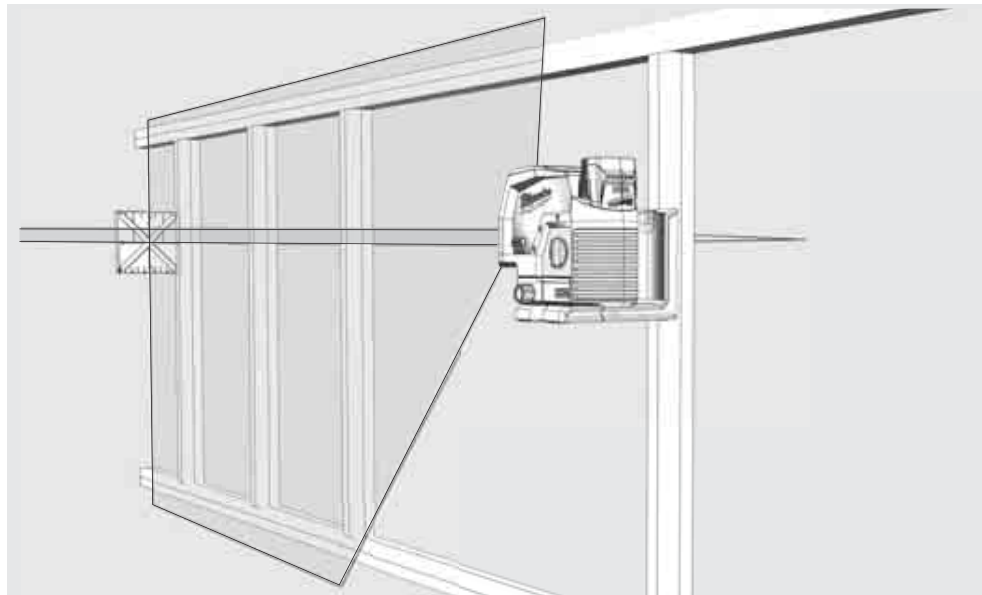
Ruota il laser di 360°.

Oppure aggiusta con una vite o un chiodo su un pilastro.

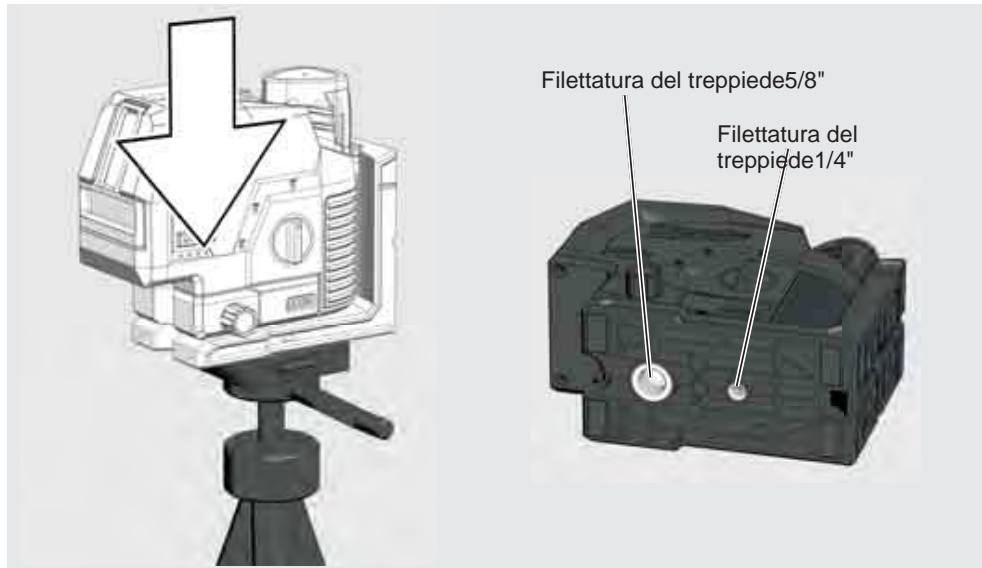


Utilizzare la manopola di regolazione per la micro-regolazione del perno di 20°.

Utilizzare la piastra bersaglio verde per migliorare la visibilità del raggio laser in condizioni sfavorevoli e a distanze maggiori.



Utilizzare l'attacco per treppiede per fissare il laser su un treppiede.



LAVORARE IN MODALITÀ AUTOLIVELLANTE

In modalità autolivellante, il laser si allinea autonomamente entro un range di $\pm 4^\circ$. A tale scopo viene proiettata una linea orizzontale, una linea verticale o ambedue le linee contemporaneamente e anche un punto a piombo in alto e in basso.

1

Posizionare il laser su una superficie solida, piana e priva di vibrazioni o montarlo su un treppiede.



Bullone filettato da 1/4"
Bullone filettato da 5/8"

2

Ruotare il selettore su: 

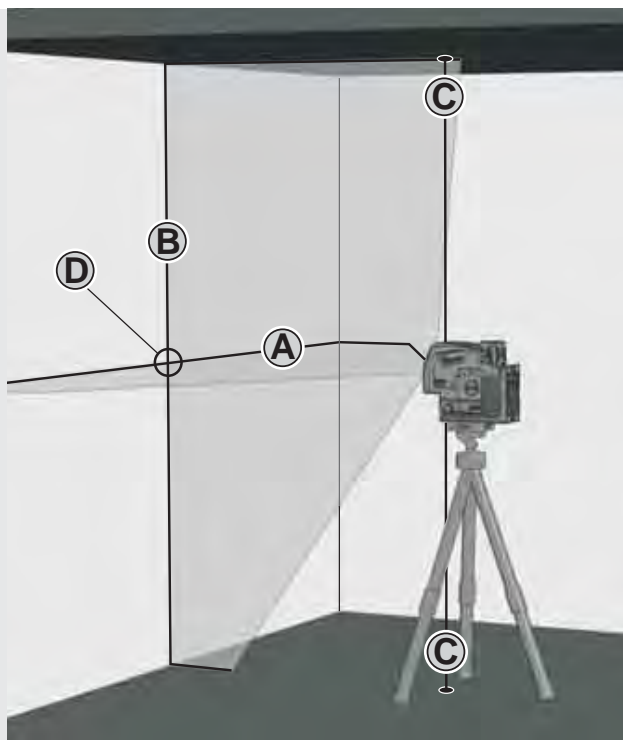


3

Il laser genera 2 linee laser.

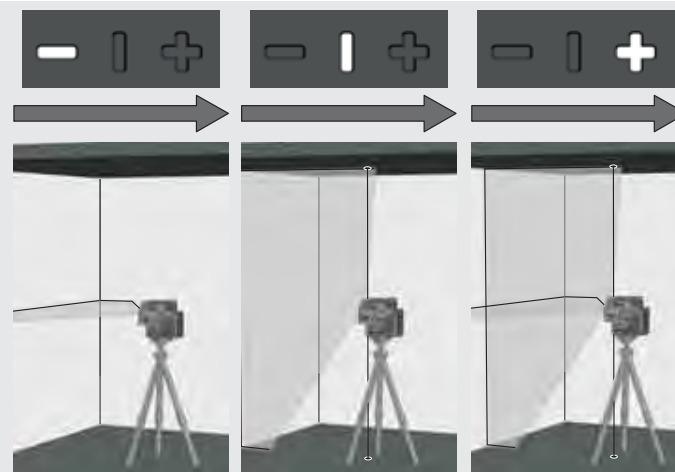
(A) Linea orizzontale verso avanti
(B) Linea verticale verso avanti
(C) Punto laser

(D) Quando tutte le linee sono attivate, il laser genera linee a croce verso avanti.



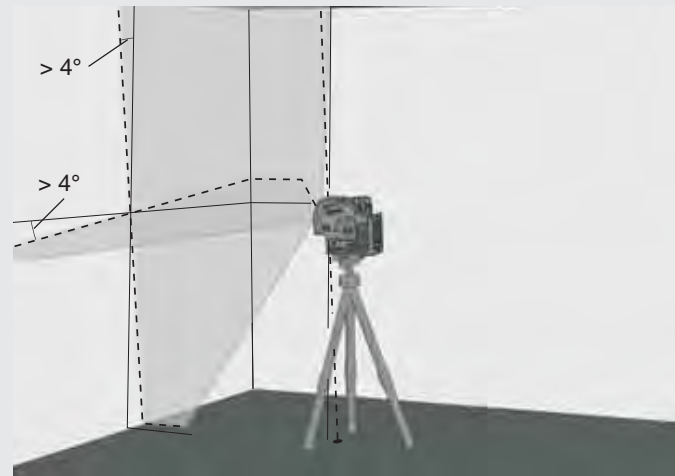
4

Selezionare le linee desiderate con il tasto MODE.




5

Se il laser non è inizialmente allineato a $\pm 4^\circ$ quando l'autolivellamento è attivato, le linee laser lampeggiano. In questo caso, riposizionare il laser.



6

Prima di spostare il laser, ruotare il selettore su . In questo modo si blocca il pendolo per proteggere il laser.



LAVORARE IN MODALITÀ MANUALE

In modalità manuale, la funzione di autolivellamento è disattivata e il laser può essere regolato su qualsiasi inclinazione delle linee laser.

1

Posizionare il laser su una superficie solida, piana e priva di vibrazioni o montarlo sul treppiede



2

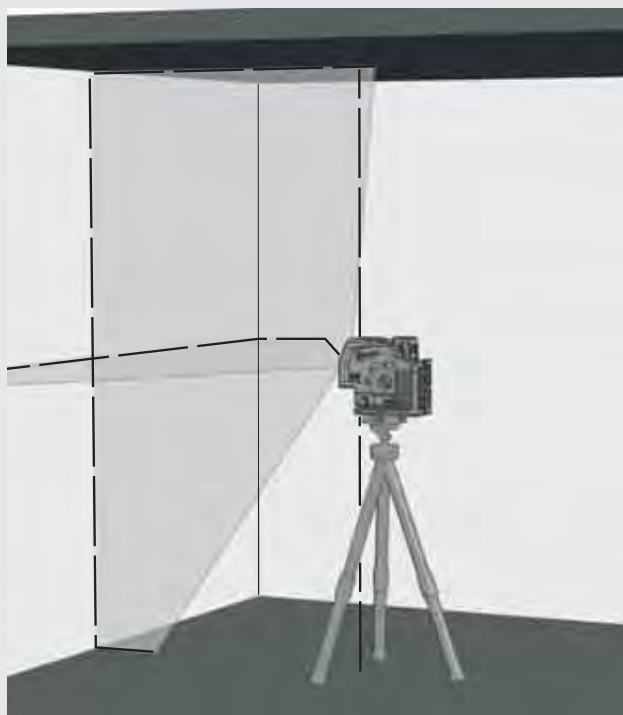
Ruotare il selettore su: **ON**



3

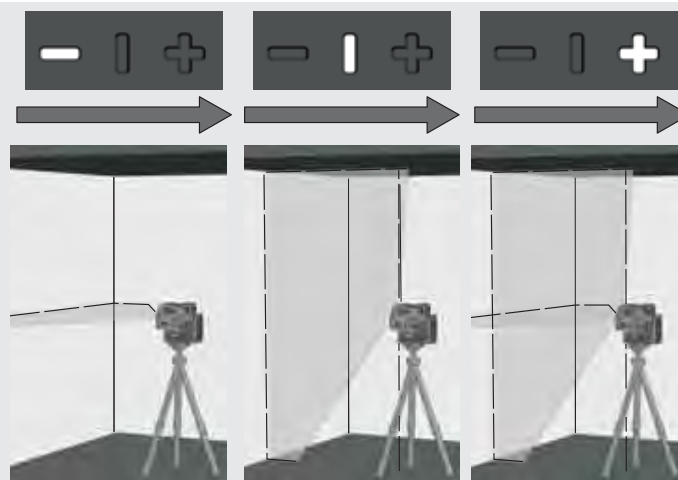
Come in modalità autolivellante, il laser genera 2 linee laser, che però vengono interrotte ogni 8 secondi.

8 sec. 8 sec. 8 sec.



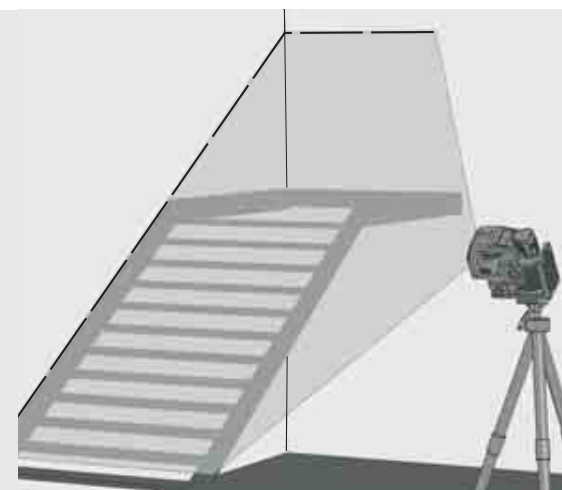
4

Selezionare le linee desiderate con il tasto MODE.



5

Regolare il laser all'altezza e all'inclinazione desiderata utilizzando il treppiede.



6

Per uscire dalla modalità manuale,

Ruotare il selettore su: **ON**

o

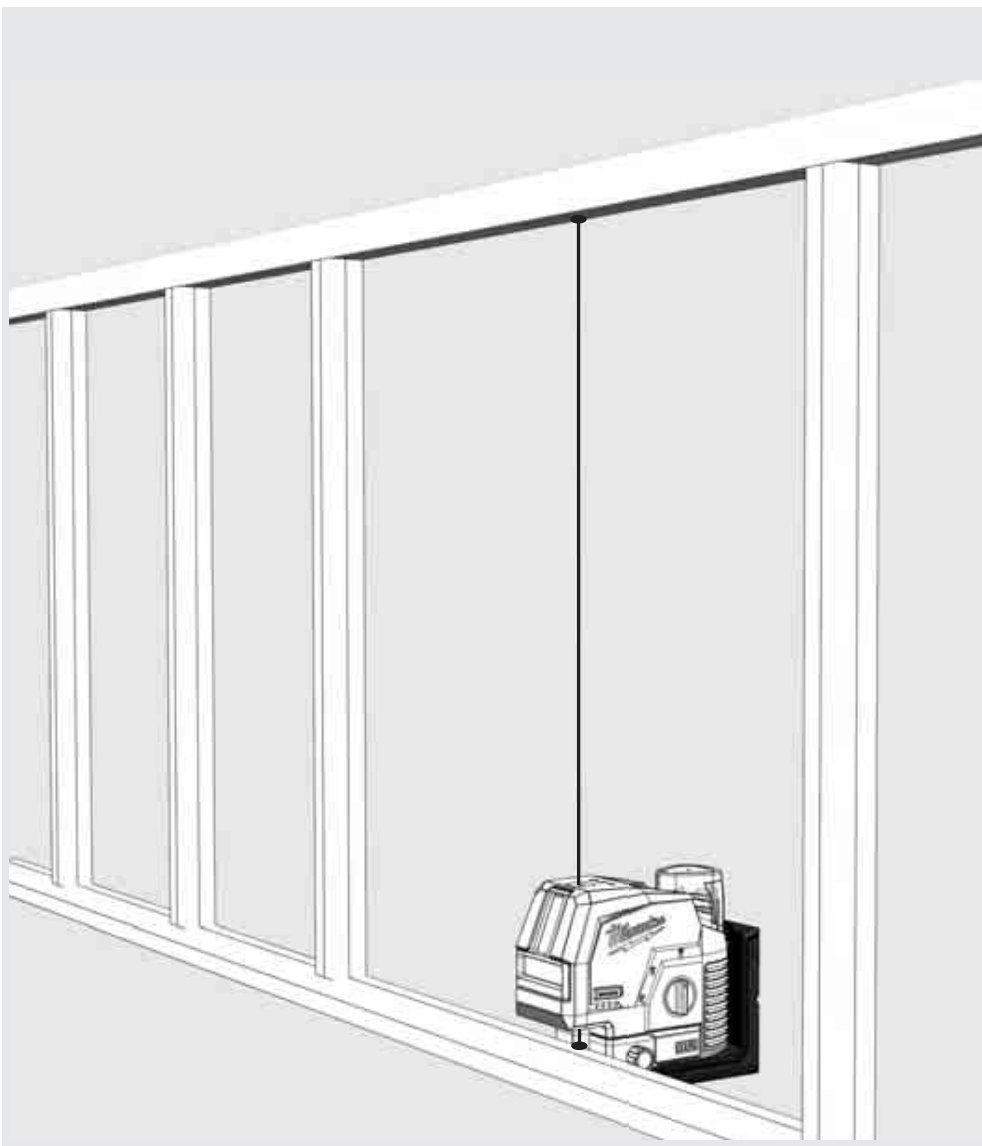
girare il selettore su: **OFF**



FUNZIONE PUNTO A PIOMBO

Con la funzione punto a piombo, è possibile proiettare un punto definito sul pavimento in posizione perpendicolare al soffitto.

La funzione punto a piombo viene utilizzata, ad esempio, per trasferire un punto di riferimento per impianti di illuminazione e ventilazione o per trasferire altezze.

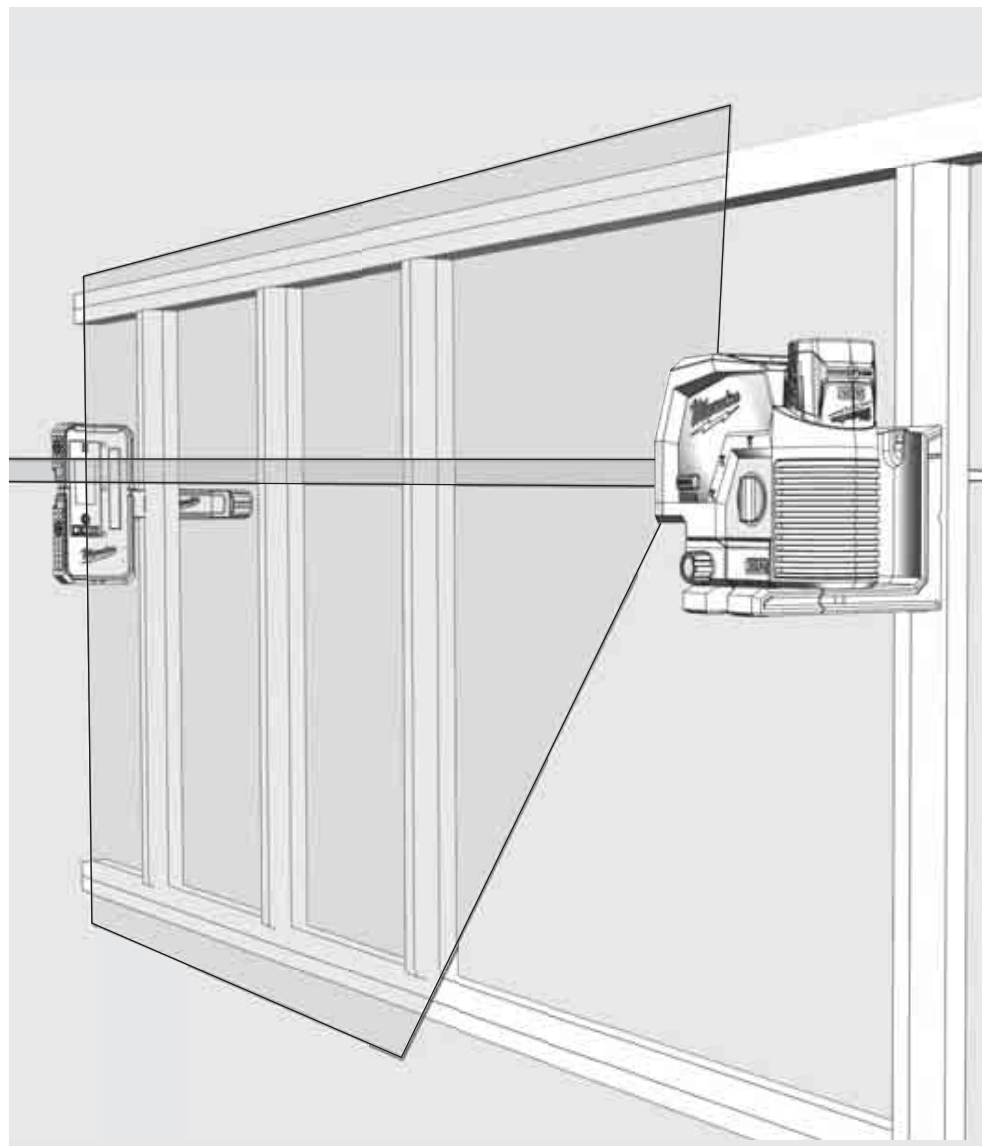


RIVELATORE

Per lavori in esterni in condizioni di luce diretta del sole o di luce intensa e per applicazioni in interni con una portata fino a 50 metri, utilizzare il rivelatore Milwaukee.

Il rivelatore non è incluso nella fornitura e deve essere acquistato separatamente.

Per informazioni dettagliate su come utilizzare il rivelatore, consultare il manuale d'uso del rivelatore.



Il laser esce dalla fabbrica già completamente calibrato. Milwaukee raccomanda di controllare regolarmente la precisione del laser, soprattutto dopo una caduta o in seguito a errori di utilizzo.

Se la deviazione massima viene superata durante la verifica della precisione, si prega di contattare uno dei nostri centri di assistenza Milwaukee (vedere le condizioni di garanzia e l'elenco degli indirizzi dei centri di assistenza).

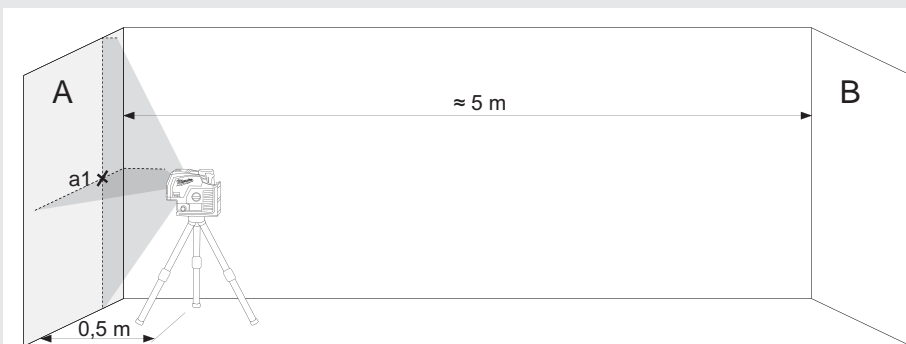
1. Controllare la precisione dell'altezza della linea orizzontale.
2. Controllare la precisione di livellamento della linea orizzontale.
3. Controllare la precisione di livellamento della linea verticale.
4. Controllare la precisione del punto a piombo.

Prima di verificare la precisione del laser montato sul treppiede, controllare il livellamento del treppiede.



1 CONTROLLARE LA PRECISIONE DELL'ALTEZZA DELLA LINEA ORIZZONTALE (DEVIATIONE VERSO L'ALTO E VERSO IL BASSO)

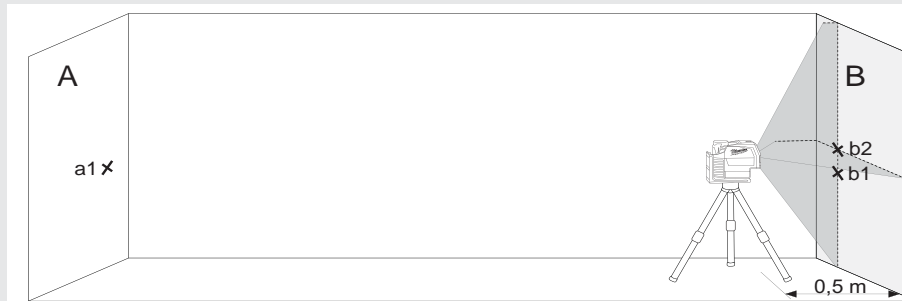
1. Posizionare il laser su un treppiede o su una superficie piana tra due pareti A e B distanti circa 5 m l'una dall'altra.
2. Posizionare il laser a circa 0,5 m dalla parete A.
3. Attivare la modalità autolivellante e premere il tasto per proiettare la linea orizzontale e verticale sulla parete A.
4. Segnare l'intersezione delle due linee come punto a1 sulla parete A.



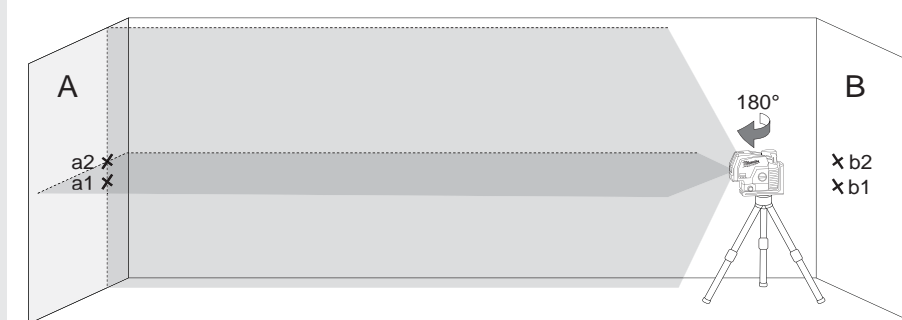
5. Ruotare il laser di 180° verso la parete B e segnare l'intersezione delle due linee come b1 sulla parete B.



6. Posizionare il laser a ca. 0,5 m dalla parete B.
7. Segnare l'intersezione delle due linee come b2 sulla parete B.



8. Ruotare il laser di 180° in direzione della parete A e segnare l'intersezione delle due linee come a2 sulla parete A.



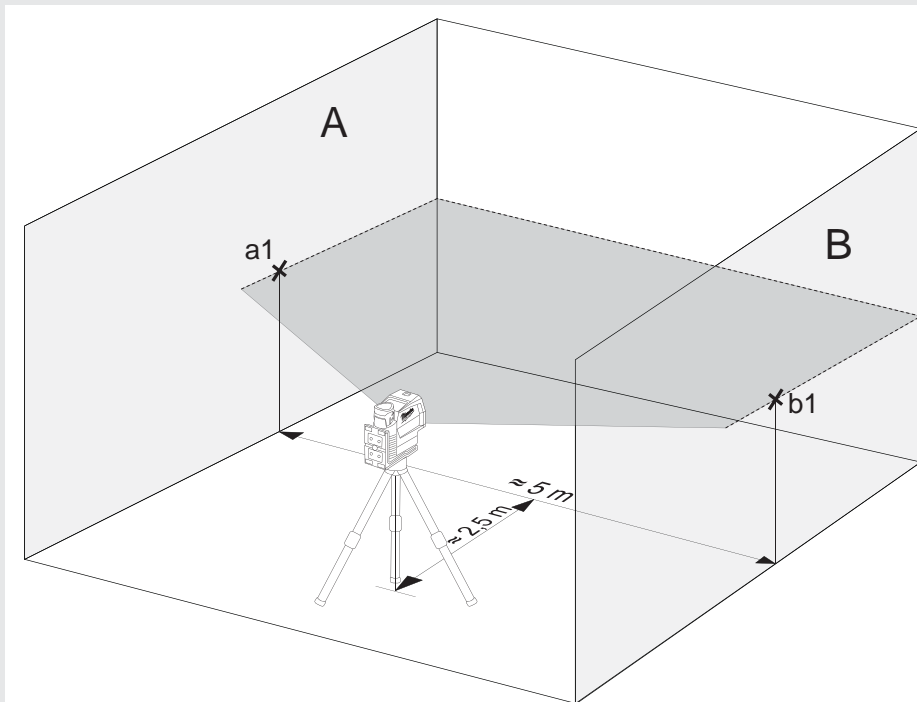
9. Misurare le distanze:
 $\Delta a = |a2 - a1|$
 $\Delta b = |b1 - b2|$

10. La differenza $|\Delta a - \Delta b|$ non deve essere superiore a 2 mm.

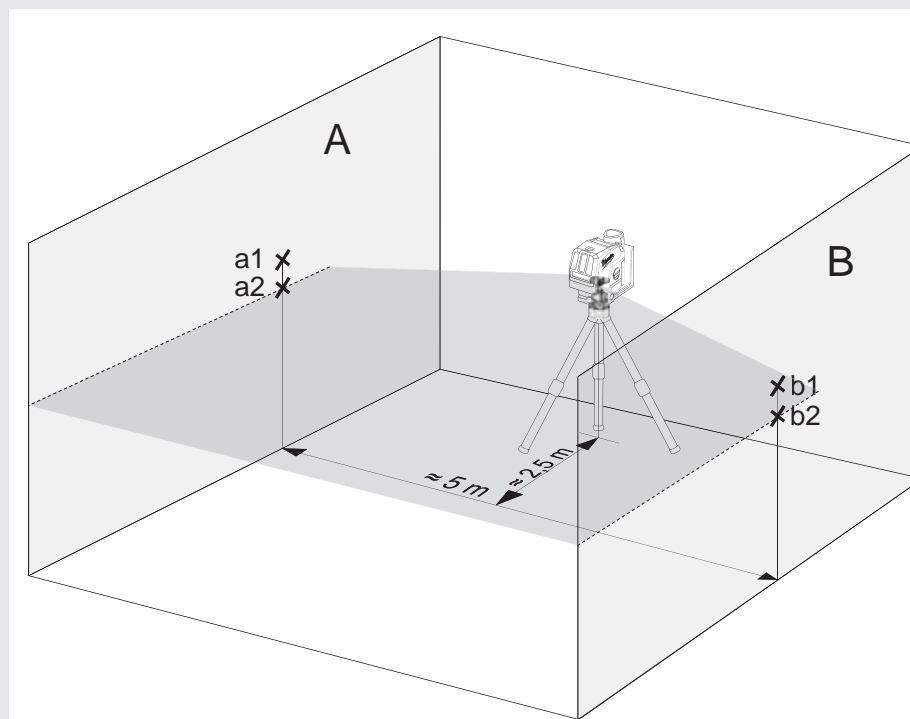
2 CONTROLLARE LA PRECISIONE DI LIVELLAMENTO DELLA LINEA ORIZZONTALE (DEVIAZIONE DA UN LATO ALL'ALTRO)

Per questa verifica è necessaria un'area libera di circa 5 x 5 m.

1. Posizionare il laser su un treppiede o su una superficie solida tra due pareti A e B distanti circa 5 m l'una dall'altra.
2. Posizionare il laser a ca. 2,5 m dal centro della stanza.
3. Attivare la modalità autolivellante e premere il tasto per proiettare la linea orizzontale sulle pareti A e B.
4. Segnare il centro della linea laser sulla parete A con a1 e sulla parete B con b1.



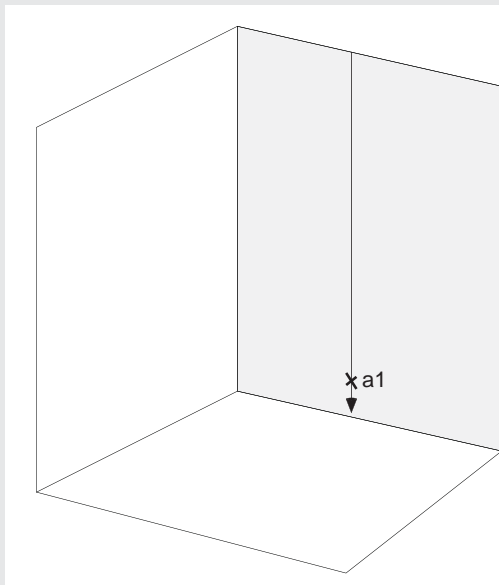
5. Spostare il laser di circa 5 m e ruotarlo di 180° e proiettare nuovamente la linea orizzontale sulle pareti A e B.
6. Segnare il centro della linea laser sulla parete A con a2 e sulla parete B con b2.



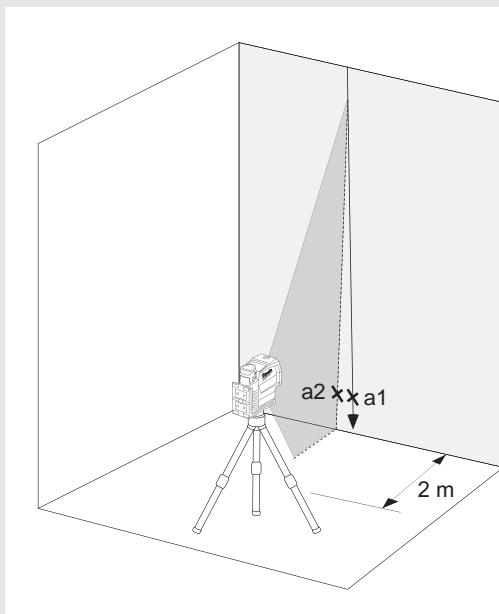
7. Misurare le distanze:
 $\Delta a = |a2 - a1|$
 $\Delta b = |b1 - b2|$
8. La differenza $|\Delta a - \Delta b|$ non deve essere superiore a 2 mm.

3 CONTROLLARE LA PRECISIONE DI LIVELLAMENTO DELLA LINEA VERTICALE

1. Appendere un filo a piombo di circa 4 m di lunghezza su una parete.
2. Dopo che il filo a piombo si è assestato, segnare il punto a1 sopra il cono di piombo sulla parete.



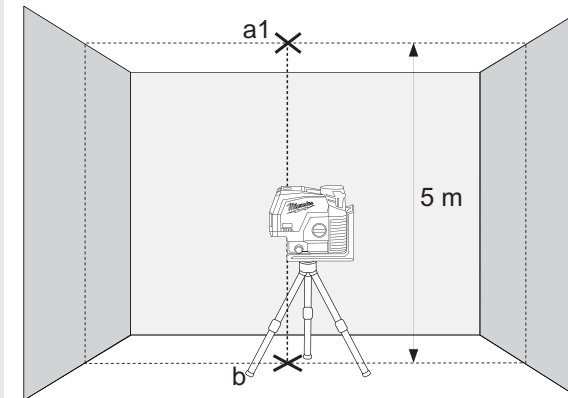
3. Montare il laser su un treppiede o su una superficie piana a ca. 2 m di distanza dalla parete.
4. Attivare la modalità autolivellante e premere il tasto per proiettare la linea verticale sul filo a piombo.
5. Ruotare il laser in modo che la linea verticale coincida con la sospensione del filo a piombo.
6. Segnare sulla parete il punto a2 al centro della linea verticale alla stessa altezza di a1.
7. La distanza tra a1 e a2 non deve essere superiore a 1 mm.



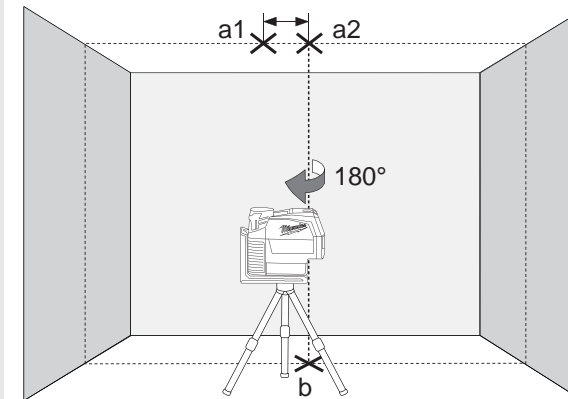
4 CONTROLLARE LA PRECISIONE DEL PUNTO DI PIOMBO

Per questa verifica è necessaria una stanza con il soffitto alto ca. 5 m.

1. Installare il laser a croce su un treppiede.
2. Attivare la modalità autolivellante e premere il pulsante per passare alla funzione di riempimento.
3. Contrassegnare il punto a piombo superiore sul soffitto come punto a1 (vedere l'illustrazione).
4. Contrassegnare il punto a piombo inferiore sul pavimento come punto b.



5. Ruotare il laser di 180° e posizionarlo in modo che il centro del punto a piombo coincida con il punto b già segnato e attendere che il dispositivo si sia livellato.
6. Contrassegnare il punto a piombo superiore sul soffitto come punto a1 (vedere l'illustrazione).
7. La distanza tra i punti a1 e a2 sul soffitto indica quanto la linea laser si discosta dalla linea perpendicolare ideale. Per una distanza di misura di 5 m la deviazione massima consentita è:
 $5 \text{ m} \times (\pm 0,6 \text{ mm/m}) \times 2 = \pm 6 \text{ mm}$.
8. La distanza tra a1 e a2 non deve essere superiore a 6 mm.



INDICE DE CONTENIDOS

Instrucciones de seguridad importantes.....	49
Mantenimiento.....	50
Datos técnicos.....	50
Uso previsto.....	50
Vista general.....	51
Equipo.....	52
Cambiar batería.....	52
Indicador de capacidad de la batería.....	53
Indicador de batería baja.....	53
Montaje en techo.....	53
Soporte de pared y placa de objetivo verde.....	54
Trabajando en el modo de autonivelación.....	55
Trabajando en el modo manual.....	56
Función de plomada.....	57
Detector.....	57
Comprobación de la precisión.....	58

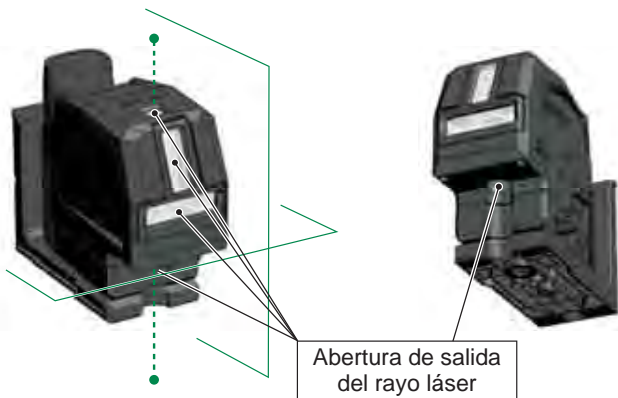
INSTRUCCIONES DE SEGURIDAD IMPORTANTES



¡ATENCIÓN! ¡ADVERTENCIA! ¡PELIGRO!

Lea detenidamente las instrucciones de seguridad y el manual de empleo que se encuentran antes de empezar a trabajar con el producto.

Clasificación de láser



ADVERTENCIA:

El producto corresponde a la Clase de láser 2 según la norma EN60825-1:2014 .



Advertencia:

No exponer los ojos directamente al rayo láser. El rayo láser puede provocar lesiones oculares graves y/o ceguera.

No mirar directamente hacia el rayo láser y no apuntar con el rayo a otras personas innecesariamente.

¡Cuidado! Es posible que en algunas aplicaciones el dispositivo emisor de láser se encuentre detrás de usted. Si es así, gírese con cuidado.

Advertencia:

No haga funcionar el láser en presencia de niños ni les permita utilizar el láser.

¡Atención! Una superficie reflectante podría dirigir el rayo láser de vuelta hacia el operador o hacia otra persona.

Advertencia: El empleo de elementos de control, ajustes u operaciones diferentes a las especificadas en el manual podrían derivar en la exposición a una radiación peligrosa.

Si se transfiere el láser de un entorno muy frío a otro caliente (o al contrario), este ha de alcanzar la temperatura ambiente antes de ser utilizado.

No almacenar el láser al aire libre y protegerlo contra golpes, vibraciones permanentes y temperaturas extremas.

Proteger el aparato de medición por láser siempre contra polvo, humedad y alta humedad del aire. Esto puede destruir los componentes internos o influir en la exactitud.

Si una radiación láser le llega a un ojo, cierre los ojos y gire inmediatamente la cabeza fuera del alcance del rayo.

Asegúrese de posicionar el rayo láser de forma que no le deslumbre ni a usted ni a otras personas.

No mirar hacia el rayo láser con dispositivos ópticos de aumento, tales como prismáticos o telescopios. De lo contrario aumenta el riesgo de lesiones oculares graves.

Tenga en cuenta que las gafas de visión láser sirven para reconocer mejor las líneas láser, pero que no protegen los ojos contra la radiación láser.

No se deben retirar ni hacer ininteligibles las señales de advertencia colocadas sobre el dispositivo láser.

No desmontar el láser. La radiación láser puede provocar lesiones oculares graves.

Antes del transporte del láser, asegúrese de que el mecanismo de cierre pendular ha quedado bien enclavado.

Nota: Si el mecanismo de cierre pendular no está bien enclavado se pueden producir daños en el interior del aparato durante el transporte.

No utilice detergentes o disolventes agresivos. Limpiar solamente con un paño limpio y blando.

Proteger el láser contra golpes fuertes y caídas. Después de una caída o de fuertes acciones mecánicas se ha de comprobar la precisión del aparato antes de usarlo.

Las reparaciones necesarias en este aparato láser deben ser realizadas únicamente por personal especializado y autorizado.

No utilizar el producto en áreas con una atmósfera potencialmente explosiva o volátil.

Extraer las baterías del compartimento de baterías antes de un largo periodo sin uso del aparato. De esta forma se evita la descarga de las baterías y los daños por corrosión que ello conlleva.



Las pilas vacías no deben eliminarse con la basura doméstica. Cuide el medio ambiente y llévelas a los puntos de recogida disponibles de conformidad con las regulaciones nacionales y locales. No desechar el producto con la basura doméstica. Desechar el producto correctamente. Cumplir con las normas de desecho específicas del país. Respetar la normativa específica nacional y local. Póngase en contacto con la autoridad local competente o con la tienda en la que adquirió el producto para obtener información acerca de la eliminación correcta.



Marcado de conformidad europeo

MANTENIMIENTO

Limpiar el objetivo y la carcasa del láser con un paño suave y limpio. No utilizar ningún disolvente.

Aunque hasta cierta medida el láser es resistente al polvo y a la suciedad, no debería ser almacenado durante mucho tiempo en un lugar con polvo, dado que, de lo contrario, se pueden dañar las partes móviles de su interior.

Si se moja el láser es necesario dejar que se seque dentro de su maleta de transporte antes de volver a usarlo a fin de que no se produzcan daños por oxidación.

DATOS TÉCNICOS

Clase de láser	2
Rango de autonivelación	± 4°
Duración de autonivelación	3 s
Tipo de batería	Li-Ion
Tensión CC	12V ===
Grado de protección (salpicaduras de agua y polvo)	IP54*
Altitud máx.	2000 m
Humedad relativa del aire máx.	80%
Grado de contaminación conforme a IEC 61010-1	2**
Duración de impulso t_p	≤ 80 μs
Funciones	línea horizontal, línea vertical, líneas cruzadas, función de plomada (2 puntos)
Frecuencia	10 kHz
Proyecciones	2 líneas verdes, 2 puntos verdes
Cantidad de diodos	2
Tipo de diodo	30 mW
Patrón de emisión de las líneas láser	Solo horizontal, vertical simple + 2 puntos de plomada arriba y abajo, línea cruzada + 2 puntos de plomada (arriba y abajo).
Tiempo de servicio	15 horas con batería M12 3.0 Ah
Rosca de montaje de trípode	1/4" / 5/8"
Detector diseñado	Milwaukee LLD50

Línea láser	Anchura < 9,53mm @ 30m
	Longitud de onda 510 - 530 nm Clase de láser II
	Potencia máxima ≤ 7 mW
	Precisión +/- 3 mm / 10 m
	Ángulo de apertura línea vertical > 120°; línea horizontal > 114°
	Color verde
	Alcance de láser 38 m (con detector 50 m)
Punto de plomada	Longitud de onda de punto láser 510 - 530 nm Clase de láser II
	Potencia máx. de punto láser < 1 mW
	Precisión de plomada +/- 3 mm / 10 m
	Color de punto láser verde
	Alcance de láser 30 m
Temperatura de servicio recomendada	De -10 °C a +40 °C
Temperatura de almacenamiento	De -20 °C a +50 °C
Tipos de acumulador recomendados	M12 B...
Dimensiones	170 mm x 82 mm x 148 mm
Peso (incl. baterías)	1205 g

* La batería de iones de litio y el compartimento de baterías están excluidos de IP54.

** Solo se produce una contaminación no conductora, aunque ocasionalmente se debe prever la existencia de una conductividad transitoria provocada por la condensación.

USO PREVISTO

El producto está diseñado preferentemente para ser usado en interiores. Si se usa al aire libre hay que asegurarse de que las condiciones límite se corresponden con las del interior.

Este innovador láser ha sido diseñado para un amplio ámbito de aplicación profesional, como, por ejemplo:

- Alineamiento de baldosas, placas de mármol, armarios, ribetes, piezas moldeadas y ornamentos.
- Marcado de las líneas básicas para el montaje de puertas, ventanas, rieles, escaleras, cercas, portales, verandas y pérgolas.
- Para la definición y control de líneas horizontales y verticales.
- Nivelación de falsos techos y tuberías, división de ventanas y alineamiento de tubos; nivelación de muros perimetrales para instalaciones eléctricas

No utilice este producto para ninguna otra aplicación que no sea su uso previsto.

Punto de plomada

Ventana de línea láser vertical

Ventana línea láser horizontal

Botón de modo

Pulsación corta: elija entre líneas láser:
 - horizontal
 - vertical + función de plomada
 - líneas cruzadas + función de plomada

Pulsación larga: cambia el modo normal / modo de ahorro de energía

Pantalla LED capacidad de la batería

Microajuste de 20 ° (+/- 10 ° desde el centro)




Punto de plomada

Montaje en trípode 5/8 "

Montaje en trípode 1/4 "



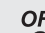


Pantalla láser línea láser

-  horizontal
-  vertical
-  línea cruzada

M12 Paquete de baterías

Marcado del rayo láser horizontal

botón giratorio

-  OFF Apagado / bloqueado
-  ON Encendido / modo manual
-  ON encendido / modo autonivelante

Soporte magnético

Montaje en techo



EQUIPO

Accesorios: no incluidos en el equipo estándar, disponibles como accesorios.

Terminal LM360



Detector LLD50

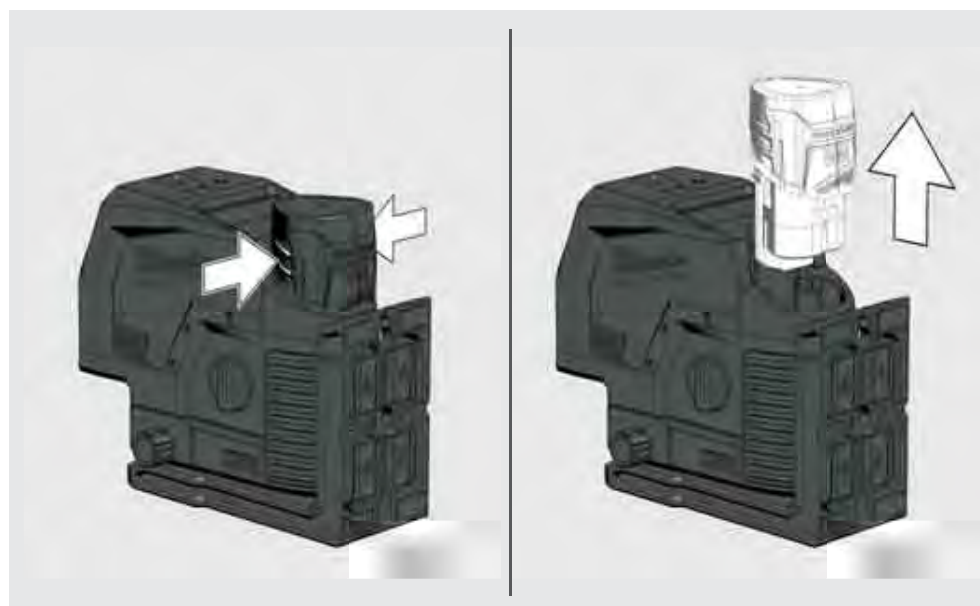
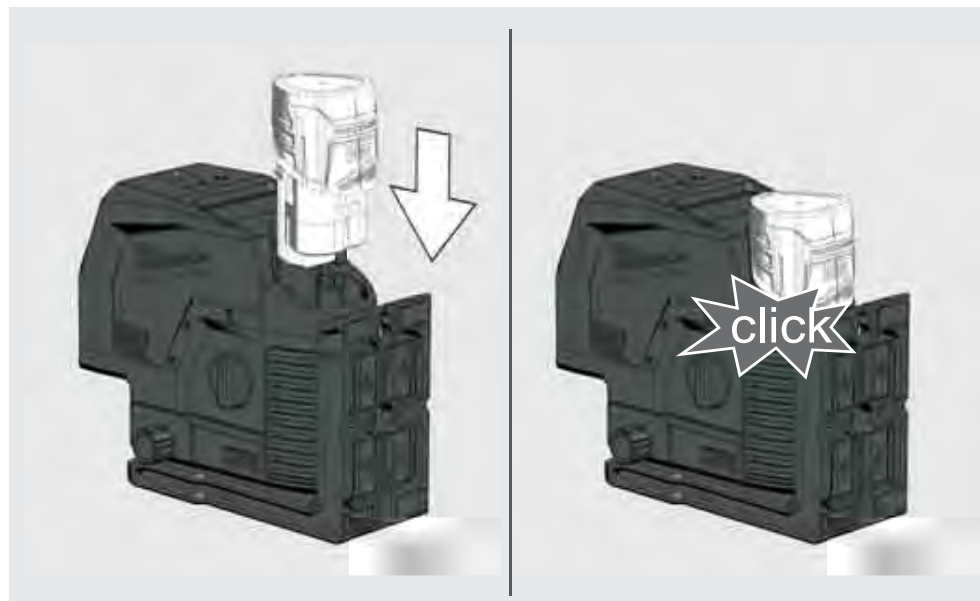


Trípode TRP180



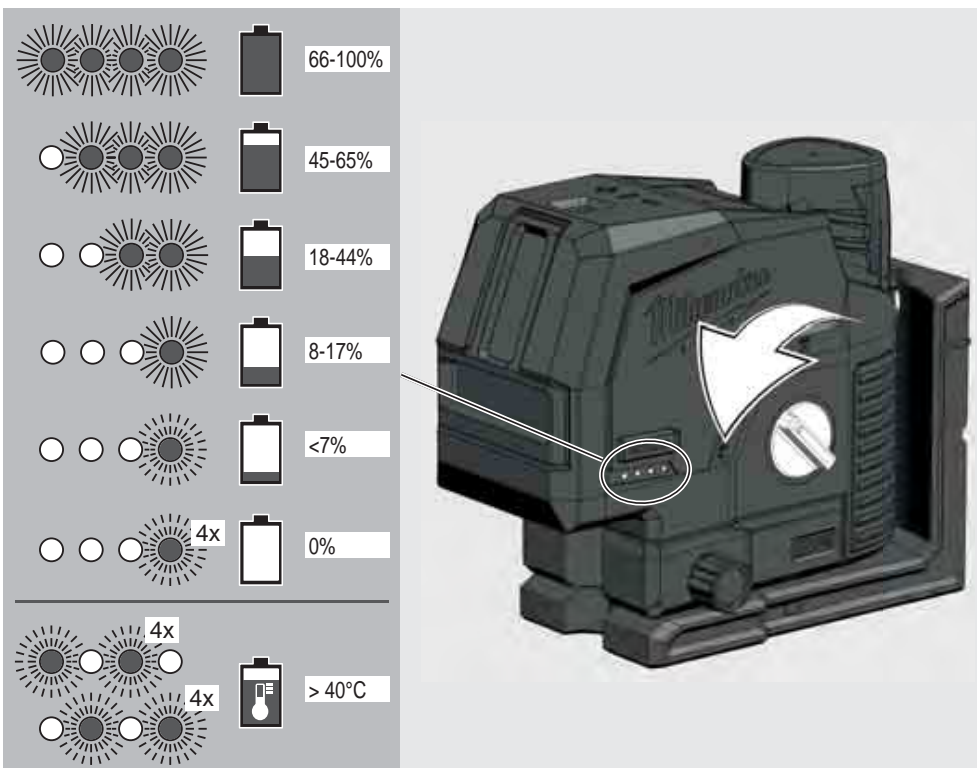
CAMBIAR BATERÍA

Use solo una batería recargable M12 de Milwaukee.



INDICADOR DE CAPACIDAD DE LA BATERÍA

Después de encender o apagar el láser, el indicador de combustible mostrará la vida útil de la batería.



INDICADOR DE BATERÍA BAJA

Cuando el voltaje es bajo, el láser cambia al modo de ahorro de energía.
El láser parpadea en modo autonivelante

4 seg. 1 seg.

El láser parpadea en modo manual.

8 seg. 1 seg.

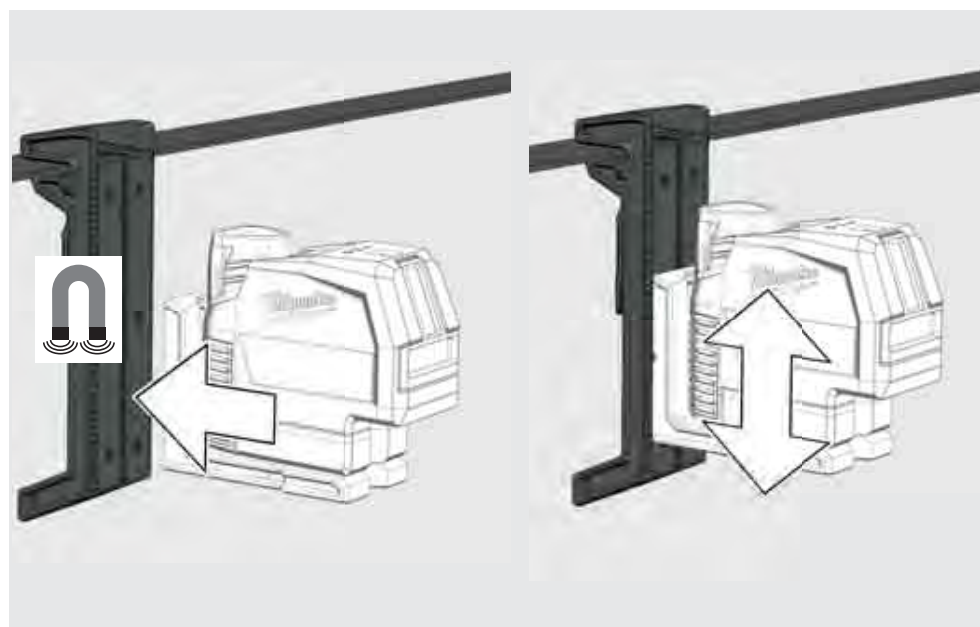
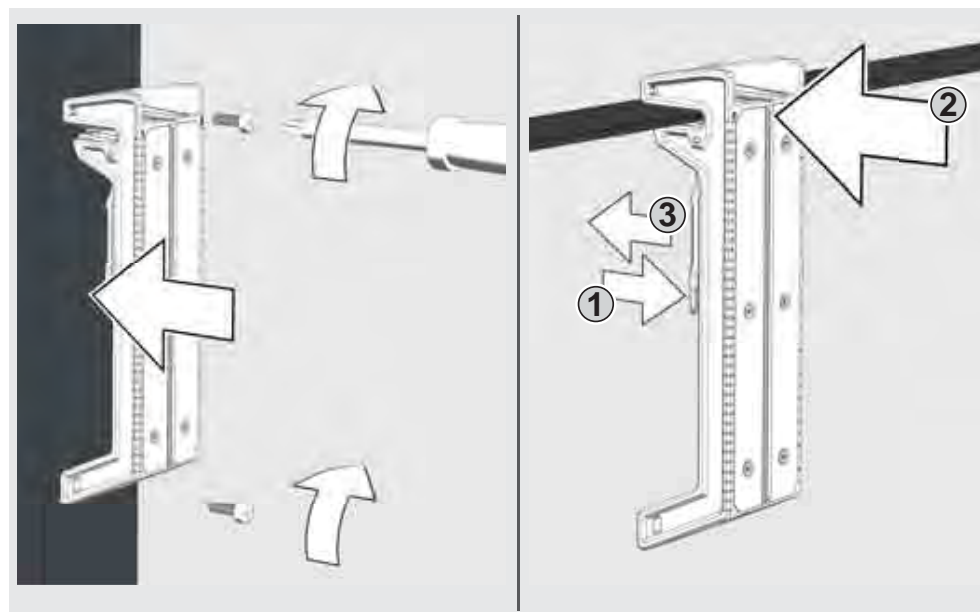
De ahora en adelante todavía es posible continuar el trabajo.

Cuando el voltaje es bajo, el láser y el LED parpadearán 4 veces y se apagará automáticamente.

MONTAJE EN TECHO

Fije el clip de la pista con tornillos a un pilar.

Use el soporte de techo para sujetar el láser a los canales de techo, bastidores ...

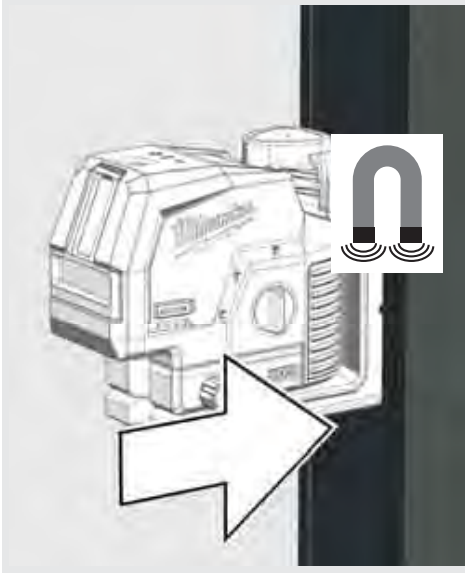


SOPORTE DE PARED Y PLACA DE OBJETIVO VERDE

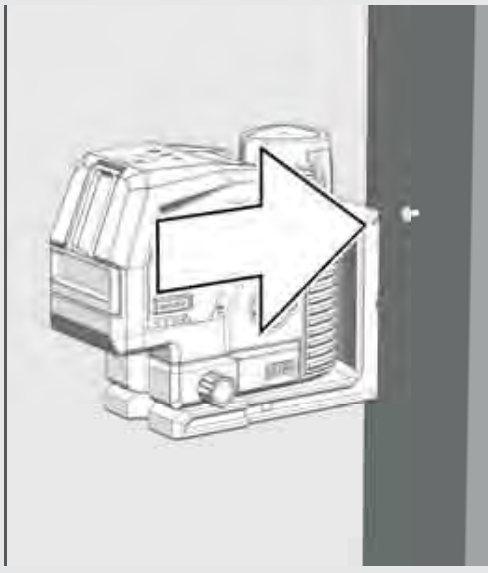
Con el soporte de pared magnético es posible fijar el láser, entre otros, en paredes y estructuras metálicas.

O arreglar con un tornillo o clavo en un pilar.

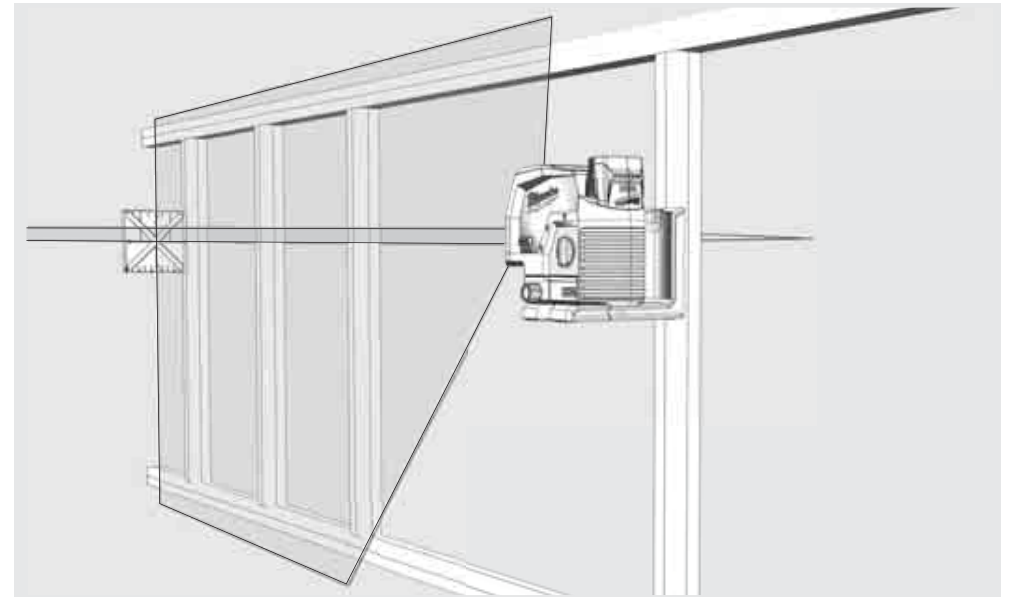
Use la placa objetivo verde para mejorar la visibilidad del rayo láser en condiciones desfavorables y a mayores distancias.



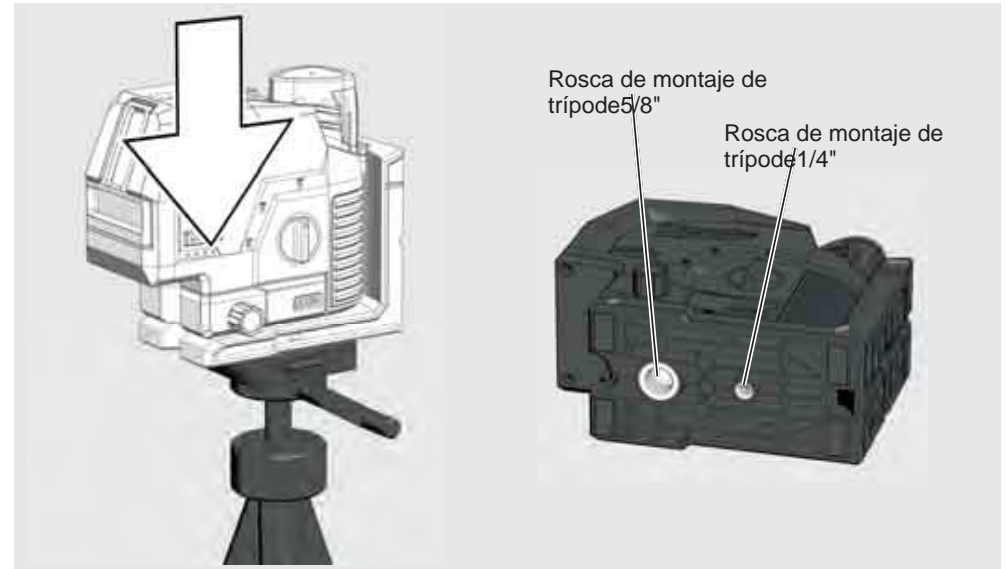
Gire el láser 360 °.



Use la perilla de ajuste para microajuste de pivote de 20 °



Use el soporte para trípode para fijar el láser en un trípode.



TRABAJANDO EN EL MODO DE AUTONIVELACIÓN

En el modo de autonivelación, el láser se alinea a sí mismo en un rango de $\pm 4^\circ$. Para ello se proyectan simultáneamente una línea horizontal, una línea vertical o ambas líneas y también un punto de plomada en la parte superior e inferior.

1

Colocar el láser sobre una base firme, plana y sin vibraciones, o bien móntelo sobre un trípode.



Perno roscado de 1/4"
Perno roscado de 5/8"

2

Gire el interruptor giratorio a:

ON



3

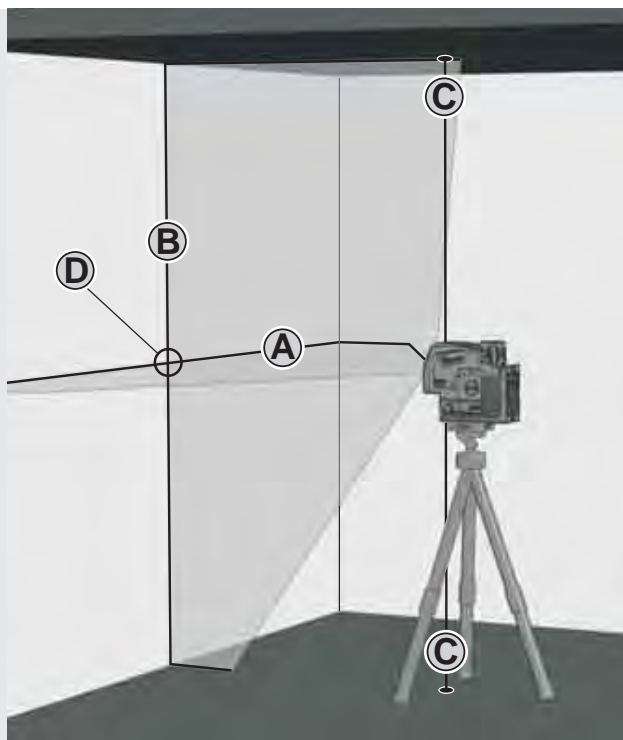
El láser genera 2 líneas láser.

(A) Línea horizontal hacia adelante

(B) Línea vertical hacia adelante

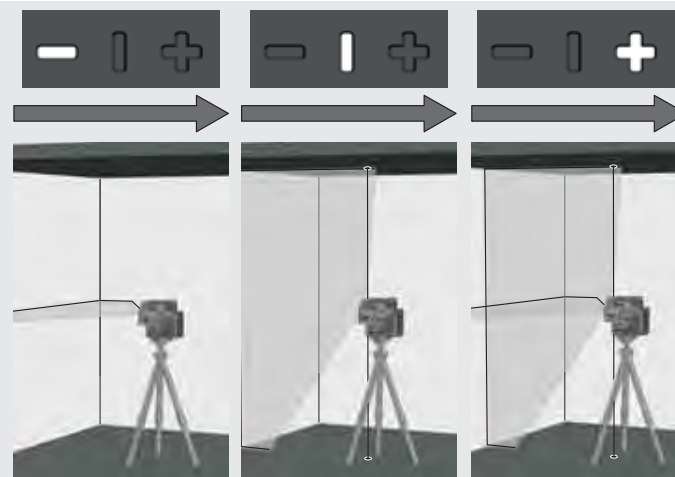
(C) Punto láser

(D) Cuando todas las líneas están activadas, el láser genera líneas cruzadas hacia adelante.



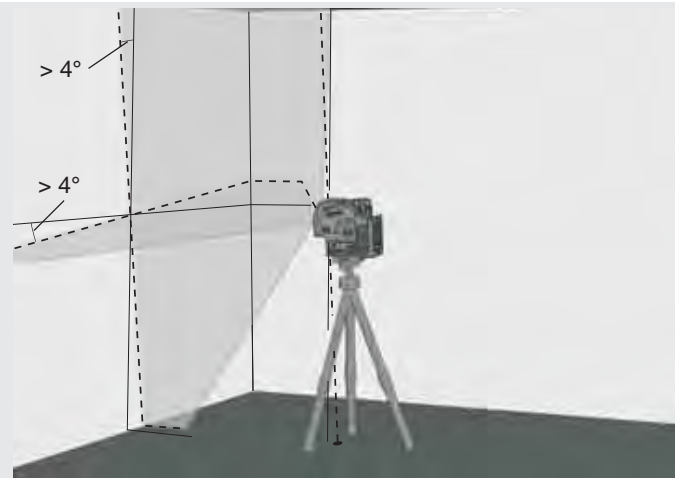
4

Seleccionar las líneas deseadas sirviéndose del botón MODE.



5

Si al principio y con la autonivelación activada el láser no está alineado a $\pm 4^\circ$, las líneas láser parpadean. - - - - . Si esto ocurre, vuelva a posicionar el láser.



6

Antes de mover el láser, gire el interruptor giratorio a OFF. De esta forma se produce el cierre del mecanismo pendular, protegiendo así el láser.



TRABAJANDO EN EL MODO MANUAL


En el modo manual, la función de autonivelación se encuentra desactivada y se puede ajustar el láser a cualquier inclinación de las líneas láser.

1

Coloque el láser sobre una base firme, plana y sin vibraciones, o móntelo sobre el trípode.



2

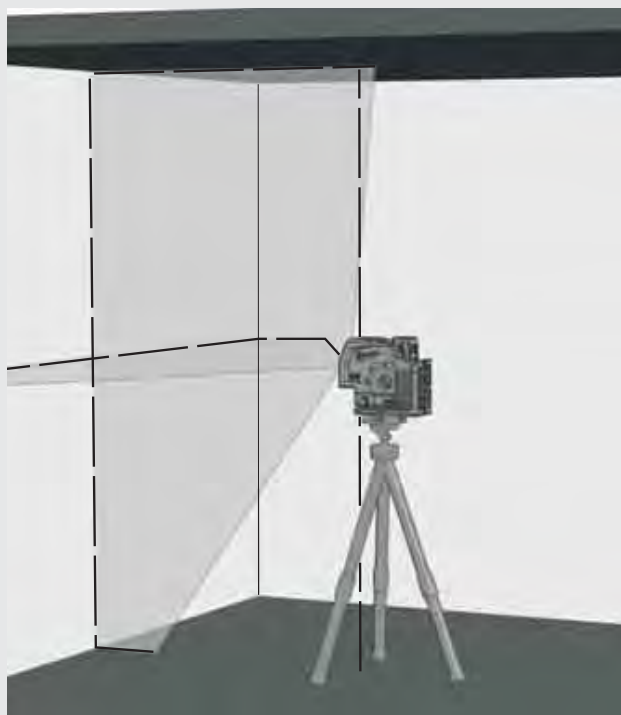
Gire el interruptor giratorio a: **ON** .



3

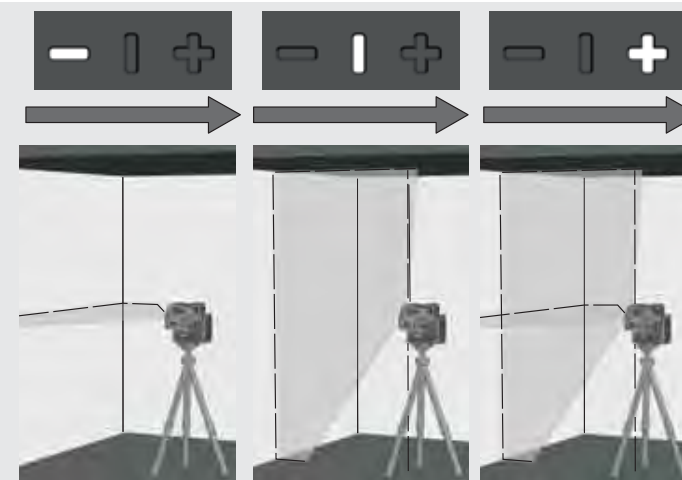
Al igual que en el modo de autonivelación, el láser genera 2 líneas láser que, sin embargo, se interrumpen cada 8 segundos.

8 seg. 8 seg. 8 seg.



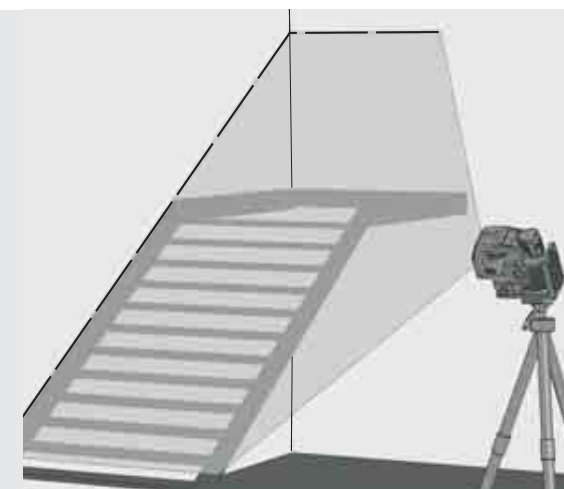
4

Seleccionar las líneas deseadas sirviéndose del botón MODE.





5

Ajustar el láser en la altura e inclinación deseadas sirviéndose para ello del trípode.



6

Para salir del modo manual,

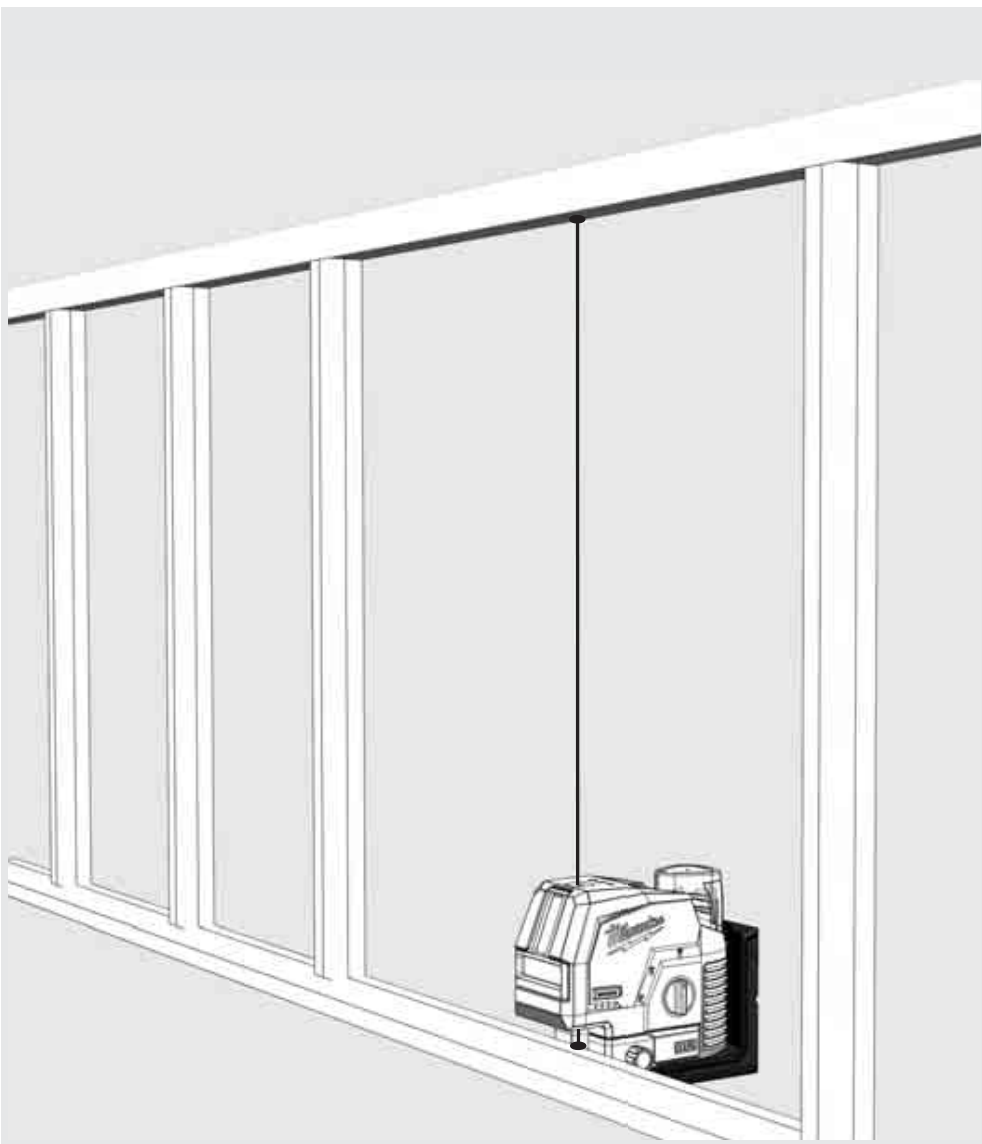
Gire el interruptor giratorio a: **ON** 
o
gire el interruptor giratorio a: **OFF** .



FUNCIÓN DE PLOMADA

Con la función de plomada se puede proyectar un punto del suelo sobre el techo con la plomada correcta.

La función de plomada sirve, por ejemplo, para transferir un punto de referencia para la instalación de iluminación y ventilación o para transferir cotas de altura.

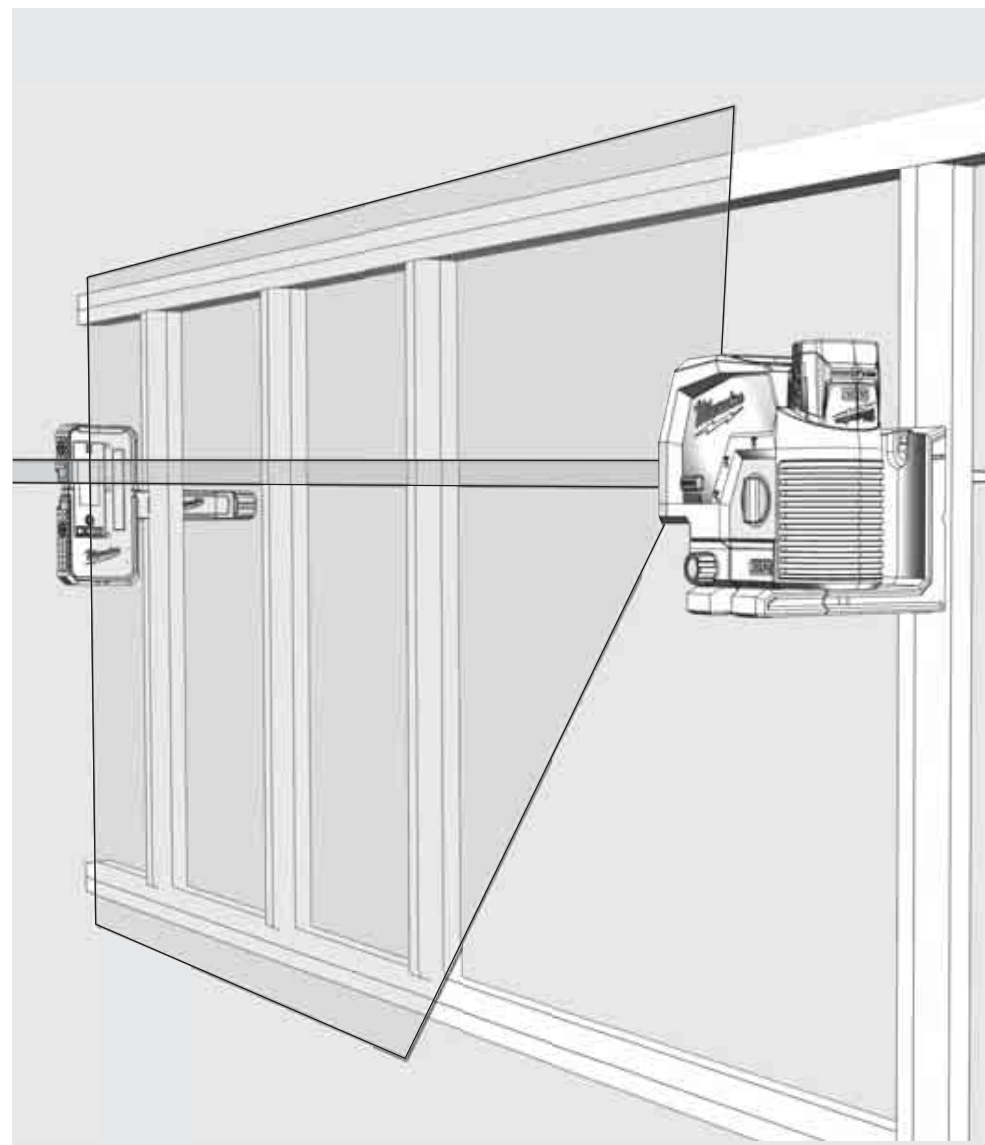


DETECTOR

Para trabajos en exteriores con radiación solar directa o condiciones de luz clara, así como para aplicaciones en interiores con un alcance de láser de 50 metros, usa el detector de Milwaukee.

El detector no se incluye en el suministro y se debe adquirir por separado.

Encontrará información más detallada sobre la utilización del detector en el manual de uso del detector.



COMPROBACIÓN DE LA PRECISIÓN

El láser se entrega de fábrica completamente calibrado. Milwaukee recomienda comprobar la precisión del láser periódicamente, sobre todo después de una caída o tras algún manejo incorrecto.

Si al comprobar la precisión constata que se supera la desviación máxima, dirijase a uno de nuestros centros de servicio técnico de Milwaukee (vea la lista con las condiciones de la garantía y las direcciones de los centros de servicio técnico).

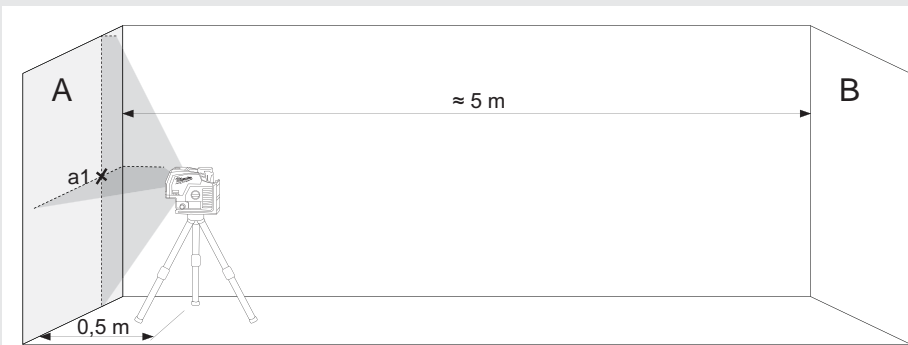
1. Comprobar la precisión de altura de la línea horizontal.
2. Comprobar la precisión de nivelación de la línea horizontal.
3. Comprobar la precisión de nivelación de la línea vertical.
4. Comprobación de la precisión de plomada.

Antes de comprobar la precisión del láser montado sobre el trípode, controlar la nivelación del trípode.

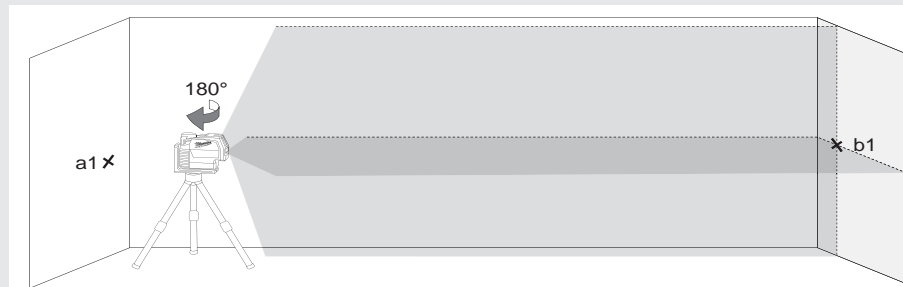


1 COMPROBACIÓN DE LA PRECISIÓN DE ALTURA DE LA LÍNEA HORIZONTAL (DESVIACIÓN HACIA ARRIBA Y HACIA ABAJO)

1. Colocar el láser sobre un trípode o una base plana entre dos paredes A y B con aprox. 5 m de separación entre sí.
2. Posicionar el láser a una distancia de aprox. 0,5 m de la pared A.
3. Activar el modo de autonivelación y pulsar el botón para proyectar la línea horizontal y vertical sobre la pared A.
4. Marcar el punto de intersección de ambas líneas como punto a1 sobre la pared A.

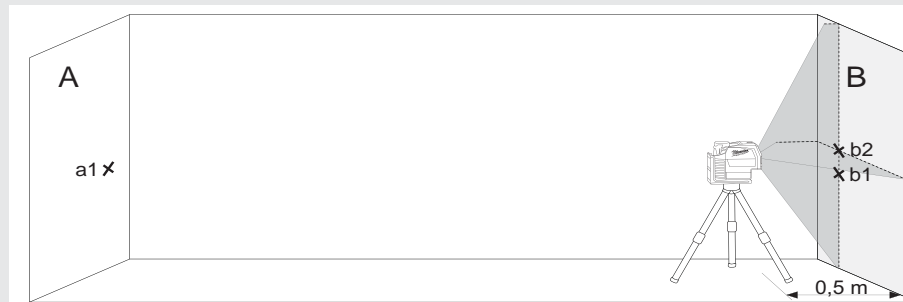


5. Girar el láser en 180° en dirección a la pared B y marcar el punto de intersección de ambas líneas como b1 sobre la pared B.

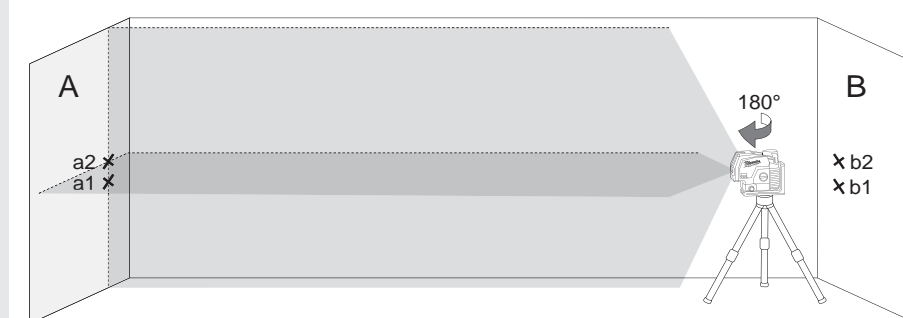


6. Colocar el láser a una distancia de aprox. 0,5 m de la pared B.

7. Marcar el punto de intersección de ambas líneas como b2 sobre la pared B.



8. Girar el láser en 180° en dirección a la pared A y marcar el punto de intersección de ambas líneas como a2 sobre la pared A.



9. Medir las distancias:

$$\Delta a = |a2 - a1|$$

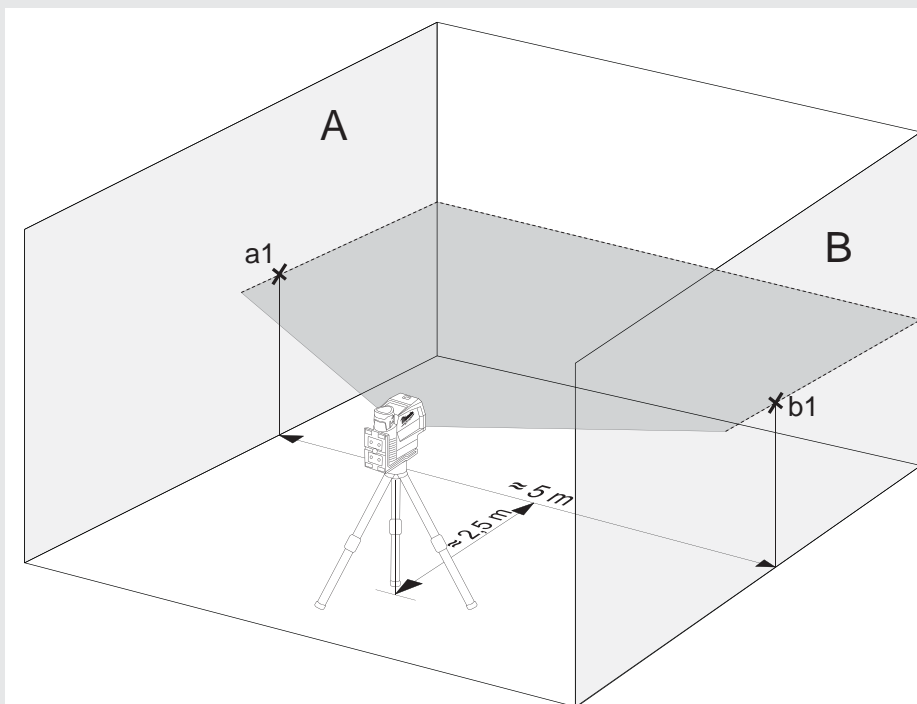
$$\Delta b = |b1 - b2|$$

10. La diferencia $|\Delta a - \Delta b|$ no puede ser de más de 2 mm.

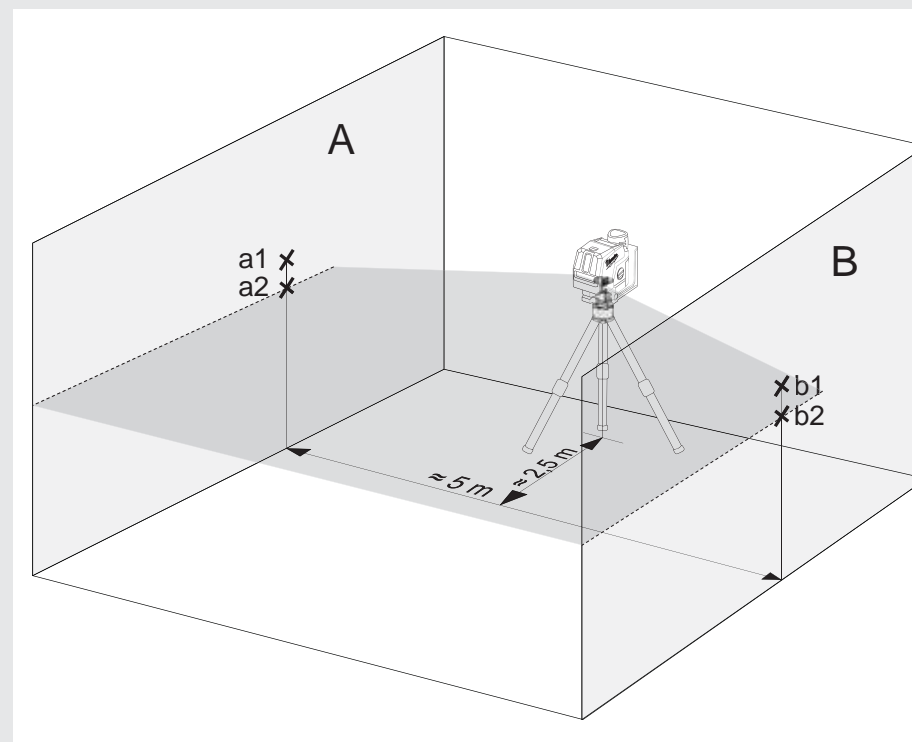
2 COMPROBACIÓN DE LA PRECISIÓN DE NIVELACIÓN DE LA LÍNEA HORIZONTAL (DESVIACIÓN DE UN LADO RESPECTO DEL OTRO)

Para realizar esta comprobación es necesario contar con una superficie libre de aprox. 5 x 5 m.

1. Colocar el láser sobre un trípode o una base firme entre dos paredes A y B con aprox. 5 m de separación entre sí.
2. Colocar el láser a una distancia de aprox. 2,5 m del centro de la sala.
3. Activar el modo de autonivelación y pulsar el botón para proyectar la línea horizontal sobre las paredes A y B.
4. Marcar el punto central de la línea láser sobre la pared A con a1 y sobre la pared B con b1.



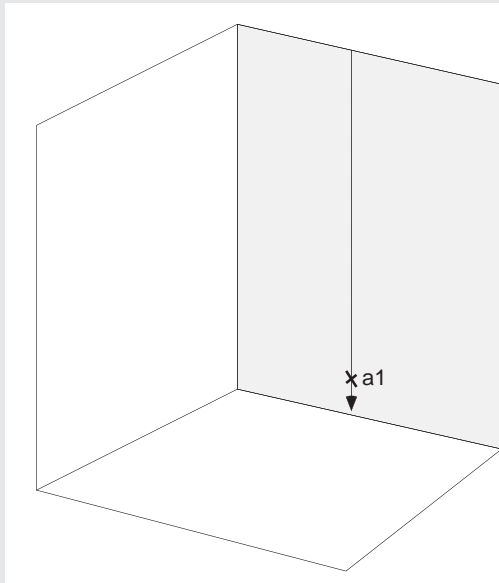
5. Desplazar el láser en aprox. 5 m, girarlo en 180° y volver a proyectar la línea horizontal sobre las paredes A y B.
6. Marcar el punto central de la línea láser sobre la pared A con a2 y sobre la pared B con b2.



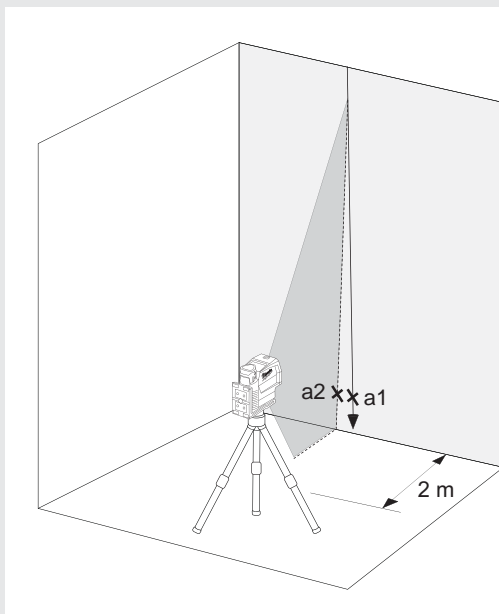
7. Medir las distancias:
 $\Delta a = |a2 - a1|$
 $\Delta b = |b1 - b2|$
8. La diferencia $|\Delta a - \Delta b|$ no puede ser de más de 2 mm.

3 COMPROBACIÓN DE LA PRECISIÓN DE NIVELACIÓN DE LA LÍNEA VERTICAL

1. Colgar en la pared un cordel de plomada de aprox. 4 m de longitud.
2. Después de que la bola de plomo haya dejado de balancearse, marcar el punto a1 sobre la pared por encima de la plomada cónica.



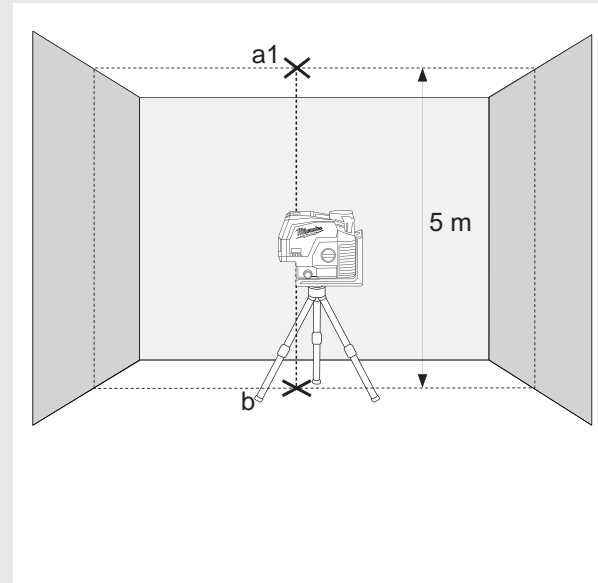
3. Colocar el láser sobre un trípode o una base plana a una distancia de aprox. 2 m de la pared.
4. Activar el modo de autonivelación y pulsar el botón para proyectar la línea vertical sobre el cordel de plomada.
5. Girar el láser de forma que la línea vertical coincida con la suspensión del cordel de plomada.
6. Marcar el punto a2 en el centro de la línea vertical sobre la pared a la misma altura que a1.
7. La distancia entre a1 y a2 no puede ser superior a 1 mm.



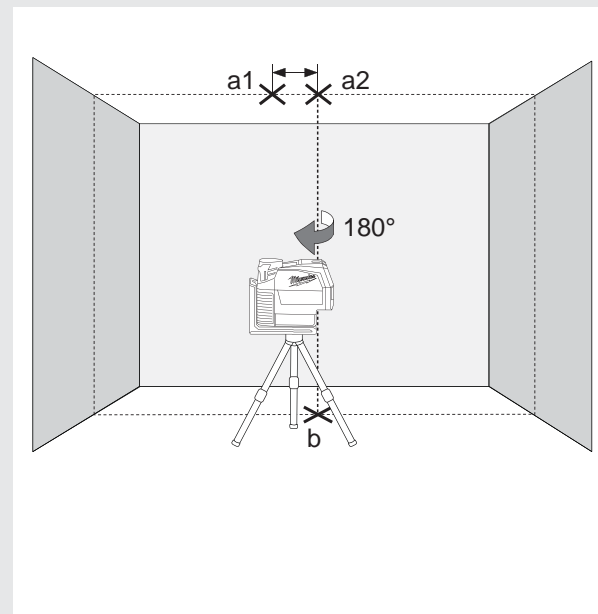
4 COMPROBACIÓN DE LA PRECISIÓN DE PLOMADA

Para esta comprobación se requiere de una sala con una altura de techo de aprox. 5 m.

1. Instale el láser cruzado en un trípode.
2. Active el modo de autonivelación y presione el botón para cambiar a la función de relleno.
3. Marque el punto de plomada superior en el techo como punto a1 (vea la ilustración).
4. Marque el punto de plomada inferior en el piso como punto b.



5. Girar el láser en 180° y posicionarlo de forma que el punto central del punto de plomada se corresponda con el punto b ya marcado y esperar hasta que el aparato se haya nivelado.
6. Marque el punto de plomada superior en el techo como punto a1 (vea la ilustración).
7. La distancia entre a1 y a2 sobre la pared indica hasta qué punto se desvía la línea láser de la plomada ideal. En un tramo de medición de 5 m, la desviación máxima permitida es la siguiente: $5 \text{ m} \times (\pm 0,6 \text{ mm/m}) \times 2 = \pm 6 \text{ mm}$.
8. La distancia entre a1 y a2 no puede ser superior a 6 mm.



CONTEÚDO

Instruções de Segurança Importantes.....	61
Manutenção.....	62
Características técnicas	62
Utilização conforme a destinação.....	62
Visão geral.....	63
Equipamento	64
Trocar bateria	64
Indicador de capacidade da bateria	65
Indicador de bateria fraca	65
Montagem no teto	65
Suporte de parede e placa de alvo verde	66
Trabalhar no modo de autonivelamento.....	67
Trabalhar no modo manual	68
Função de prumo	69
Detector	69
Verificação da precisão	70

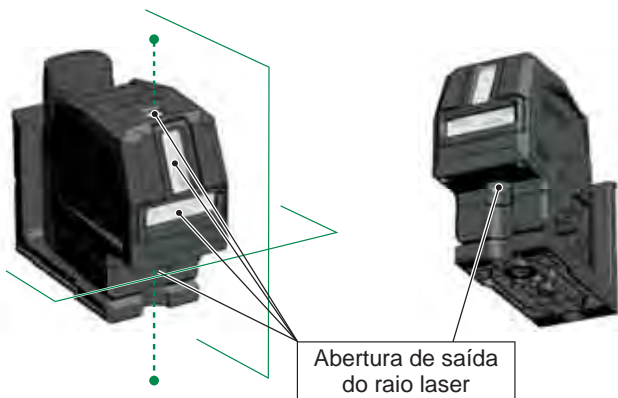
INSTRUÇÕES DE SEGURANÇA IMPORTANTES



ATENÇÃO! PERIGO!

Não utilizar o produto, antes de ler atentamente as Instruções de Segurança e o Manual de Operação incluídos.

Classificação do laser



ATENÇÃO:

Produto laser de Classe 2, de acordo com a Norma EN60825-1:2014 .



Aviso:

Não exponha os olhos diretamente ao raio laser. O raio laser pode causar lesões oculares graves e/ou cegueira.

Não olhe diretamente no raio laser e não aponte o raio desnecessariamente na direção de terceiros.

Cuidado! Em algumas aplicações o dispositivo que emite raios laser pode encontrar-se atrás de você. Neste caso, vire cuidadosamente.

Aviso:

Não opere o laser perto de crianças nem permita que crianças operem o laser.

Atenção! Uma superfície reflectora pode reflectar o raio laser ao operador ou a terceiros.

Aviso: A utilização de elementos de controlo, ajustes ou a execução de processos não determinados no manual pode levar a uma exposição à radiação perigosa.

Se o laser for levado dum ambiente muito frio para um ambiente quente (ou vice-versa), ele deve alcançar a temperatura ambiente antes da utilização.

Não guarde o laser ao ar frio e proteja-o contra choques, vibrações duradouras e temperaturas extremas.

Proteja o medidor a laser contra pó, humidade e alta humidade do ar. Isto poderia destruir componentes internos ou influenciar a precisão.

Se os raios laser chegarem nos olhos, feche os olhos e vire a cabeça imediatamente para fora do raio.

Observe que o raio laser seja posicionado de forma que você ou terceiros não sejam encadeados.

Não olhe no raio laser com ampliadores como binóculos ou telescópios. Caso contrário, o perigo de lesões oculares grave aumentará.

Observe que os óculos de laser se destinam a reconhecer melhor as linhas de laser mas não protegem os olhos contra a radiação laser.

As placas de aviso nos dispositivos laser não devem ser removidas ou feitas ilegíveis.

Não desmonte o laser. A radiação laser pode causar lesões oculares graves.

Antes do transporte do laser, assegure-se de que o bloqueio pendular esteja encaixado.

Nota: Se o bloqueio pendular não estiver encaixado, o interior do dispositivo poderá ser danificado durante o transporte.

Não use detergentes ou solventes agressivos. Só limpe com um pano limpo e macio.

Proteja o laser contra choques fortes e quedas. Depois de uma queda ou de efeitos mecânicos a precisão do dispositivo deve ser verificada antes da utilização.

Reparações necessárias neste aparelho de laser só devem ser executadas pelo pessoal especializado e autorizado.

Não utilizar o produto em áreas com risco de explosão ou ambientes agressivos.

Se o dispositivo não for usado durante um período prolongado, as pilhas devem ser retiradas do compartimento das pilhas. Assim, o vazamento das pilhas e danos de corrosão podem ser evitados.

 As pilhas esgotadas não devem ser descartadas juntamente com os resíduos domésticos.

Proteger o ambiente e descartar as pilhas nos pontos de recolha ("Pilhões") da sua área de residência. O instrumento não deve ser descartado juntamente com os resíduos domésticos.

Eliminar o instrumento de acordo com os regulamentos aplicáveis em vigor. Respeitar os regulamentos nacionais específicos do país. Contacte a sua autoridade local ou o seu vendedor para informações relativas à eliminação.

 Marca de Conformidade Europeia

MANUTENÇÃO

Limpe a objetiva e a caixa do laser com um pano macio e limpo. Não use solventes.

Embora o laser seja resistente ao pó e à sujeira até um determinado grau, ele não deve ser armazenado duradouramente num lugar poeirento para evitar que peças móveis no interior sejam danificadas.

Se o laser ficar molhado, ele deverá ser secado antes de colocá-lo na mala para evitar danos de corrosão.

CARACTERÍSTICAS TÉCNICAS

Classe de laser	2
Intervalo de autonivelamento	$\pm 4^\circ$
Duração do autonivelamento	3 s
Tipo de pilha	Li-Ion
Tensão DC	12V ---
Tipo de proteção (salpicos de água e pó)	IP54*
Altitude máx.	2000 m
Humidade relativa do ar máx.	80%
Grau de sujeira nos termos de IEC 61010-1	2**
Duração do pulso t_p	$\leq 80 \mu s$
Funções	Linha horizontal, linha verticais, linhas perpendiculares, função de prumo (2 pontos)
Frequência	10 kHz
Projeções	2 linhas verdes, 2 pontos verdes
Quantidade de diodo	2
Tipo de diodo	30 mW
Padrão de emissão das linhas laser	Horizontal único, vertical único + 2 pontos de prumo para cima e para baixo, linha cruzada + 2 pontos de prumo (para cima e para baixo).
Tempo de operação	15 horas com acumulador M12 3.0 Ah
Rosca do tripé	1/4" / 5/8"
Detetor adequado	Milwaukee LLD50

Linha laser	Largura	< 9,53mm @ 30m
	Comprimento de onda	510 - 530 nm classe de laser II
	Potência máxima	$\leq 7 \text{ mW}$
	Precisão	+/- 3 mm / 10 m
	Ângulo de abertura	linha verticais > 120°; linha horizontal > 114°
	Cor	verde
	Alcance	38 m (com detetor 50 m)
Ponto do prumo	Comprimento de onda ponto de laser	510 - 530 nm classe de laser II
	Potência máx. ponto de laser	< 1 mW
	Precisão do prumo	+/- 3 mm / 10 m
	Cor do ponto de laser	verde
	Alcance	30 m
Temperatura de serviço recomendada		-10 °C a +40 °C
Temperatura de armazenamento		-20 °C a +50 °C
Tipos de baterias recomendadas		M12 B...
Dimensões		170 mm x 82 mm x 148 mm
Peso (incl. pilhas)		1205 g

* A bateria de íões de lítio e o compartimento da bateria estão excluídos de IP54.

** Só ocorrem depósitos não condutivos, mas ocasionalmente espera-se uma condutividade temporária devido à condensação.

UTILIZAÇÃO CONFORME A DESTINAÇÃO

O produto deve ser usado, de preferência, no interior. Em caso de utilização ao ar livre deve ser observado que as condições quadro correspondam com as condições no interior.

Este laser inovador foi projetado para um amplo campo de aplicação profissional como, p. ex.:

- Alinhamento de ladrilhos, placas de mármore, armários, bordas, peças moldadas e ornamentos.
- Marcação das linhas de referência para a instalação de portas, janelas, carris, escadas, cercas, portões, varandas e pérgulas.
- Para a determinação e a verificação de linhas horizontais e verticais.
- Nivelamento de tetos falsos e tubulações, distribuição de janelas e alinhamento de tubos, nivelamento de paredes exteriores para instalações elétricas

Este produto só deve ser usado conforme a destinação, como indicado.

Ponto de prumo

Janela da linha vertical do laser

Janela linha laser horizontal

Botão de modo

Pressão curta: Escolha entre as linhas do laser:

- horizontal
- vertical + função de prumo
- linhas cruzadas + função de prumo

Pressão longa: alterna o modo normal / modo de economia de energia

Indicador LED capacidade da bateria

Micro ajuste de 20 ° (+/- 10 ° do centro)

Ponto de prumo

Suporte para tripé 5/8 "

Suporte para tripé 1/4 "

Linha laser do visor de LED

- horizontal
- vertical
- + linha cruzada

M12 Bateria

Marcação para o raio laser horizontal

botão rotativo

- OFF Desativado / bloqueado
- ON Modo ativado / manual
- ON no modo de autonivelamento

Suporte magnético

Montagem no teto



EQUIPAMENTO

Acessórios - Não incluído no equipamento padrão, disponível como acessório.

Terminal LM360



Detector LLD50

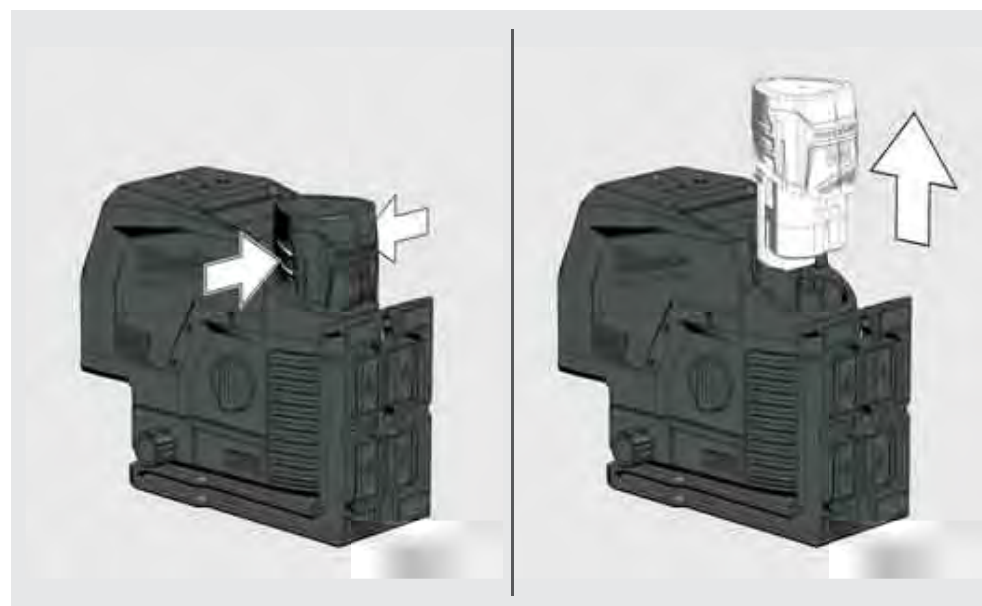
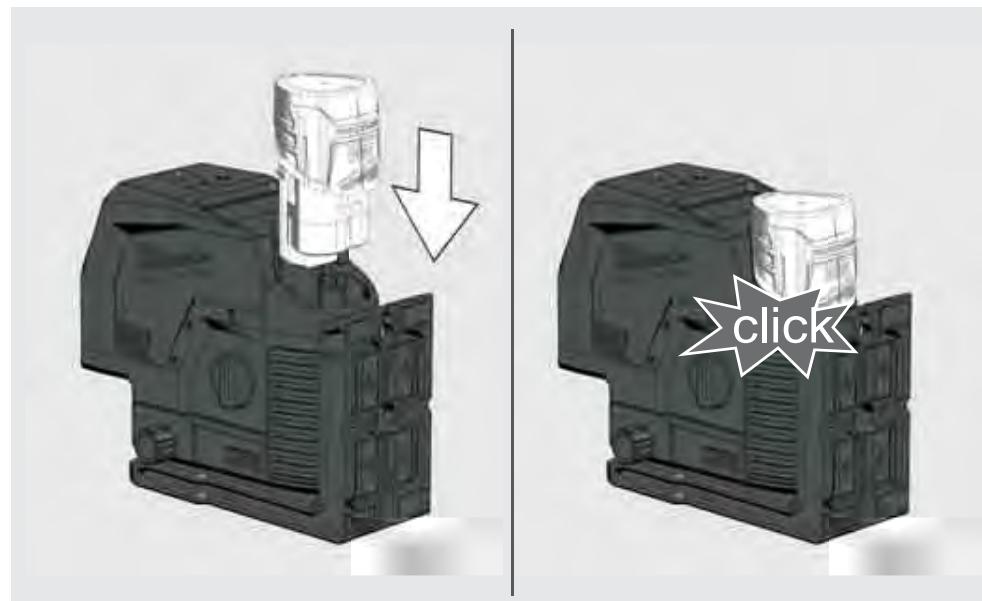


Tripé TRP180



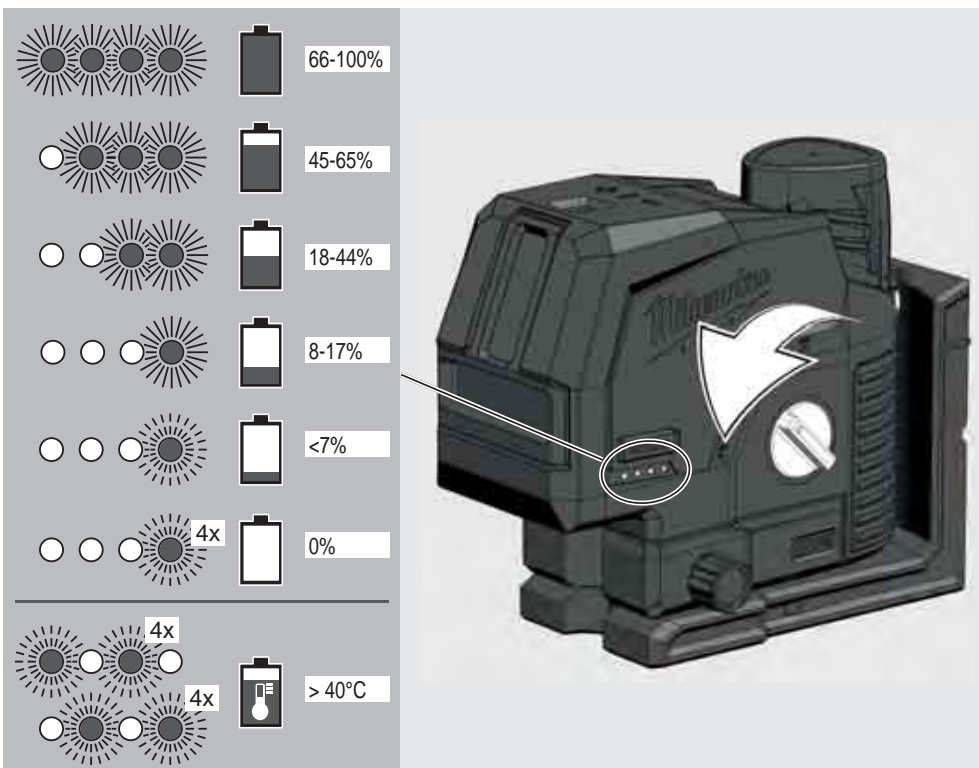
TROCAR BATERIA

Use apenas uma bateria Milwaukee M12 recarregável.



INDICADOR DE CAPACIDADE DA BATERIA

Depois de ligar ou desligar o laser, o medidor de combustível exibirá a vida útil da bateria.



INDICADOR DE BATERIA FRACA

Quando a tensão é baixa, o laser muda para o modo de economia de energia.
O laser pisca no modo de autonivelamento

4 seg. 1 seg.

O laser pisca no modo manual

8 seg. 1 seg.

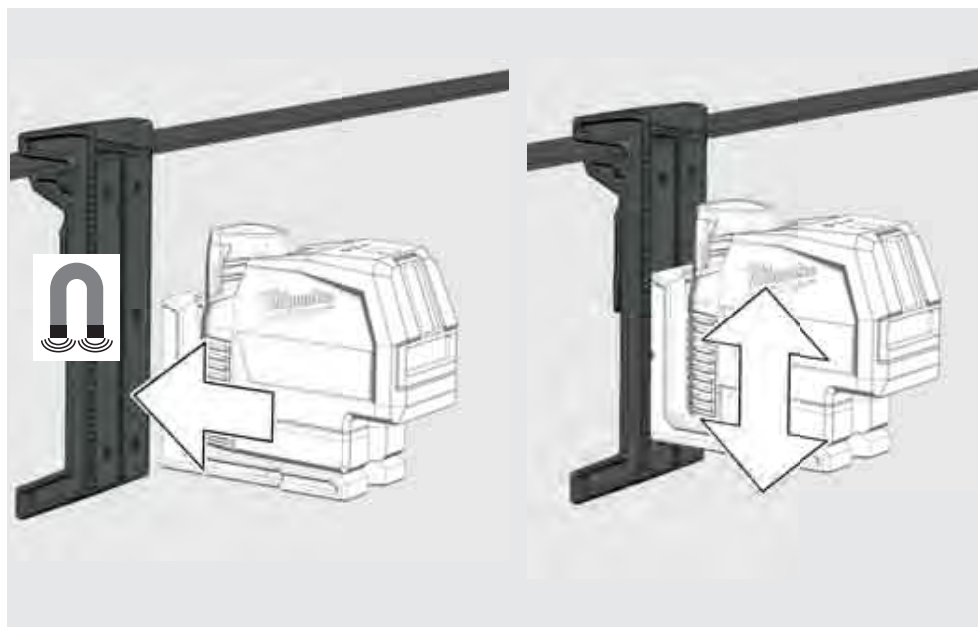
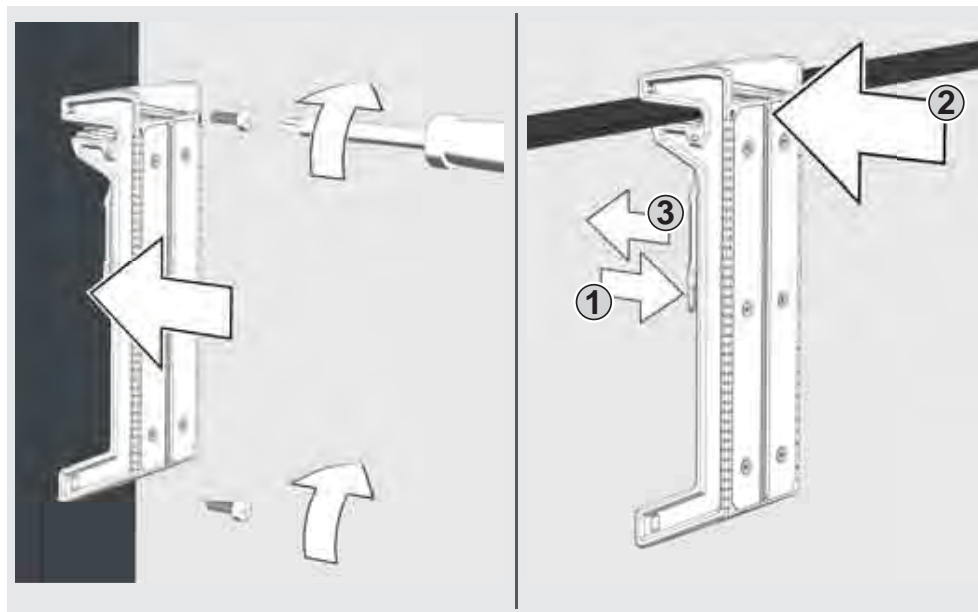
A partir de agora ainda é possível continuar o trabalho.

Quando a tensão está baixa, o laser e o LED piscam 4 vezes e são desligados automaticamente.

MONTAGEM NO TETO

Fixe o clipe da trilha com parafusos em um pilar.

Use o suporte de teto para prender o laser aos canais de teto, racks ...

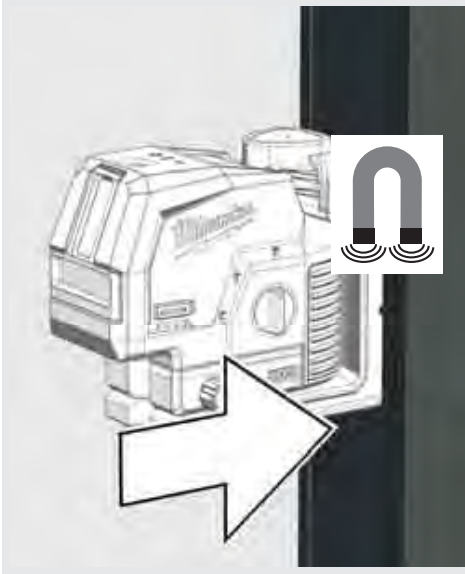


SUPOORTE DE PAREDE E PLACA DE ALVO VERDE

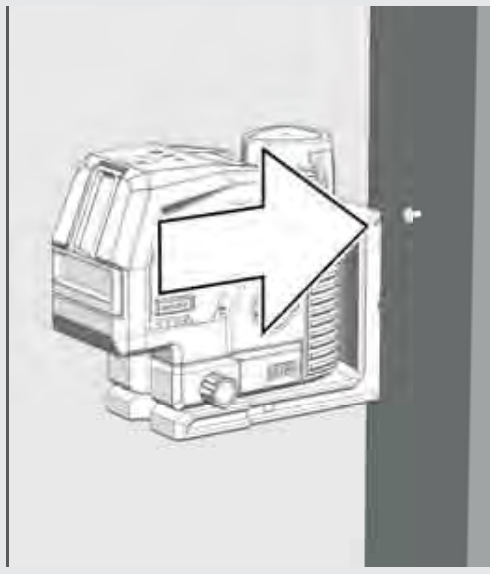
Com o suporte magnético o laser pode ser fixado em paredes, estruturas metálicas, etc.

Ou conserte com um parafuso ou prego em um pilar.

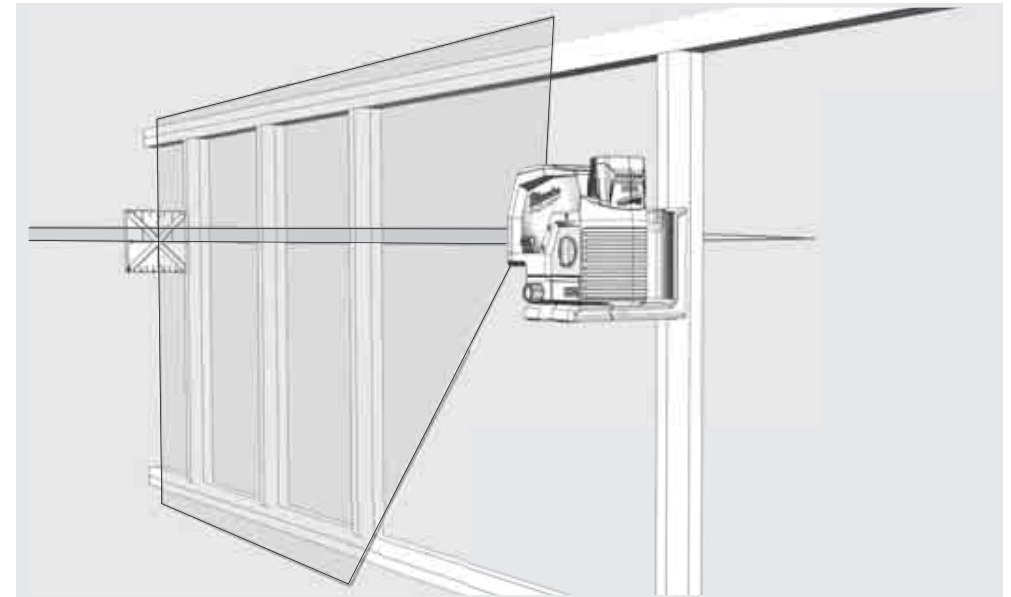
Use a placa de alvo verde para melhorar a visibilidade do raio laser em condições desfavoráveis e a distâncias maiores.



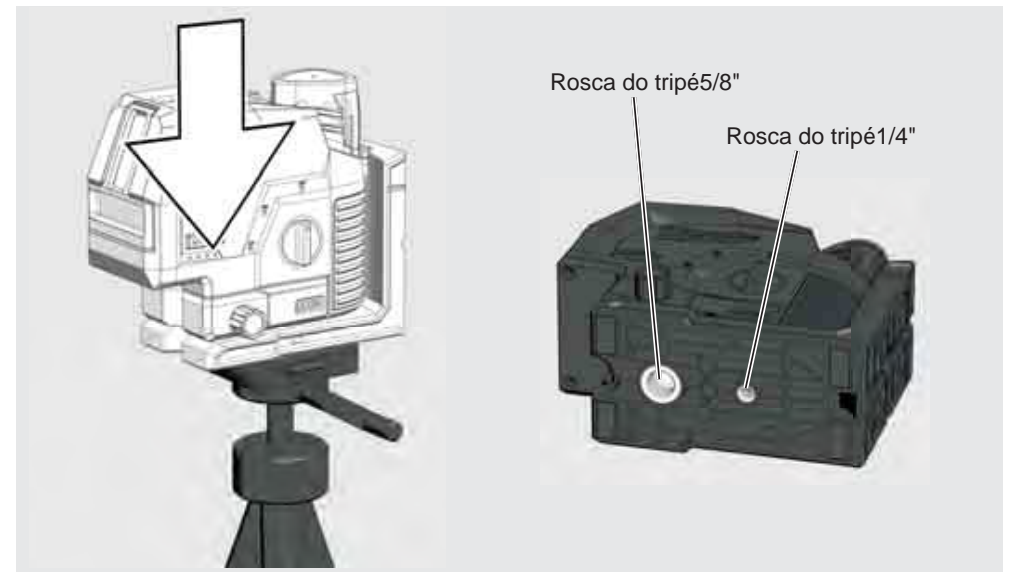
Gire o laser em 360 °.



Use o botão de ajuste para micro ajuste de rotação de 20 °



Use o suporte para tripé para fixar o laser em um tripé.



TRABALHAR NO MODO DE AUTONIVELAMENTO

No modo de autonivelamento o laser alinha-se automaticamente numa área de $\pm 4^\circ$. Para tal, uma linha horizontal, uma linha vertical ou ambas as linhas são projetadas ao mesmo tempo.


1

Coloque o laser numa superfície sólida, plana e livre de vibrações ou monte-o num tripé.



Pinos roscados 1/4"
Pinos roscados 5/8"

2

Gire o botão rotativo para: 

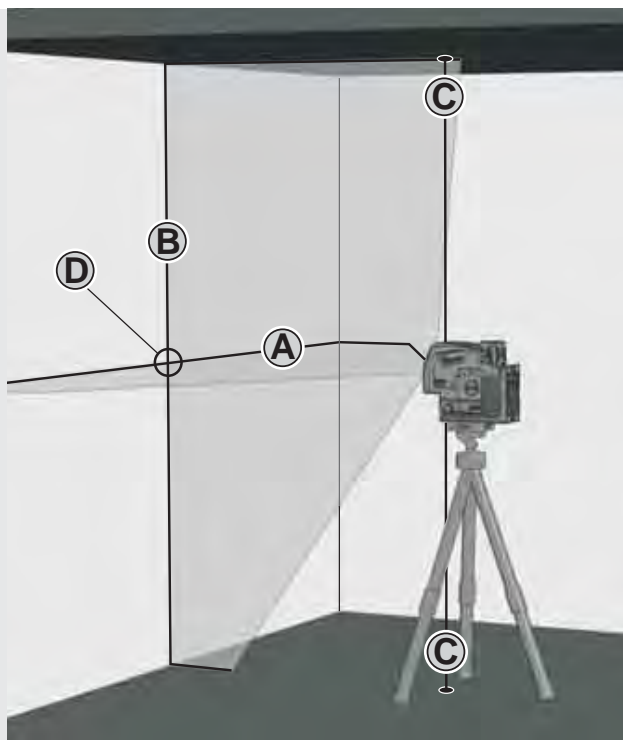


3

O laser emite 2 linhas laser.

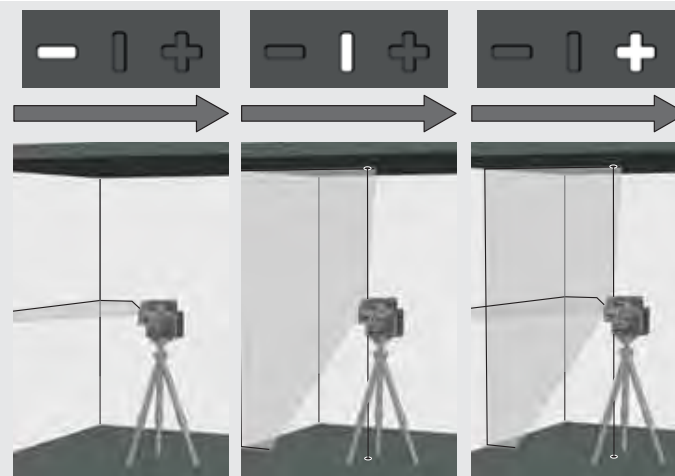
(A) Linha horizontal para a frente
(B) Linha vertical para a frente
(C) Ponto laser

(D) Quando todas as linhas estiverem ativadas, o laser emitirá linhas perpendiculares para a frente.



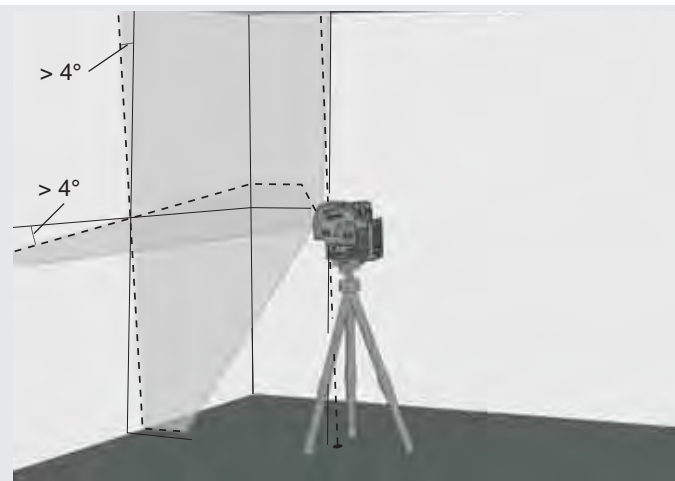
4

Selecione as linhas desejadas com a tecla MODE.




5

Se, com o autonivelamento ativado, o laser não estiver alinhado a $\pm 4^\circ$ desde o início, as linhas laser piscarão - - - - . Neste caso, posicione o laser novamente.



6

Antes de mover o laser, gire a chave rotativa para . Assim, o pêndulo é fixado e o laser é protegido.



TRABALHAR NO MODO MANUAL

No modo manual a função de autonivelamento está desativada e o laser pode ser ajustado a qualquer inclinação das linhas laser desejada.

1

Coloque o laser numa superfície sólida, plana e livre de vibrações ou monte-o num tripé.



2

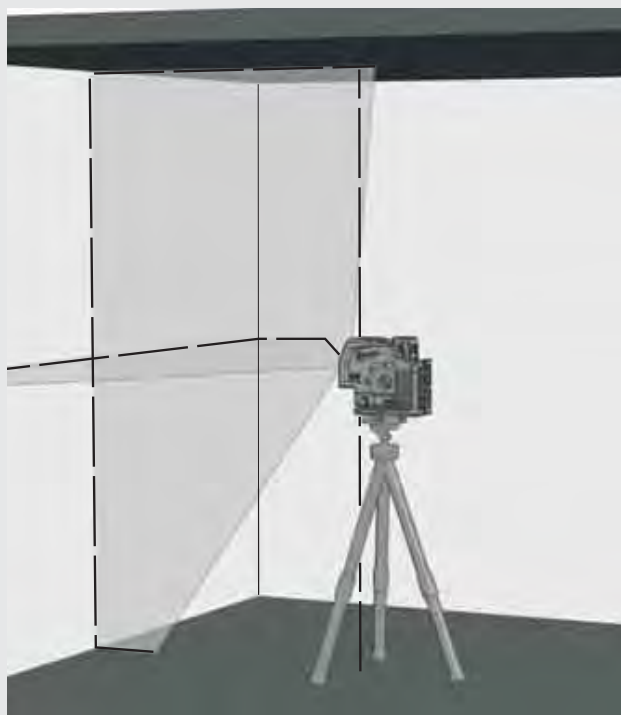
Gire o botão rotativo para: **ON**.



3

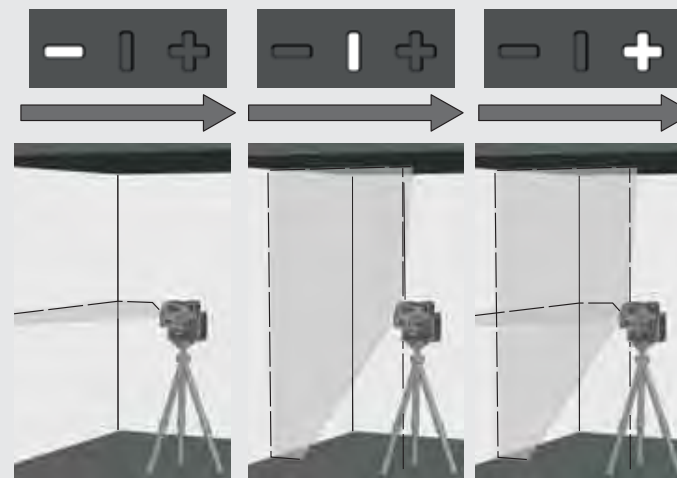
Como no modo de autonivelamento o laser emite 2 linhas laser, mas elas são interrompidas todos os 8 segundos.

8 seg. 8 seg. 8 seg.



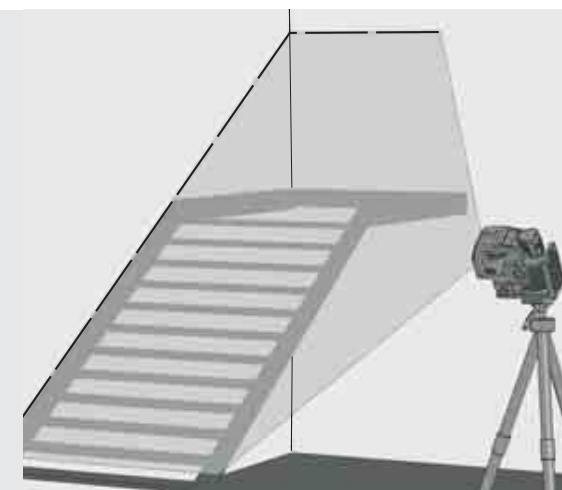
4

Selecione as linhas desejadas com a tecla MODE.



5

Ajuste o laser à altura e à inclinação desejada, por meio do tripé.



6

Para sair do modo manual,

Gire o botão rotativo para: **ON** ou

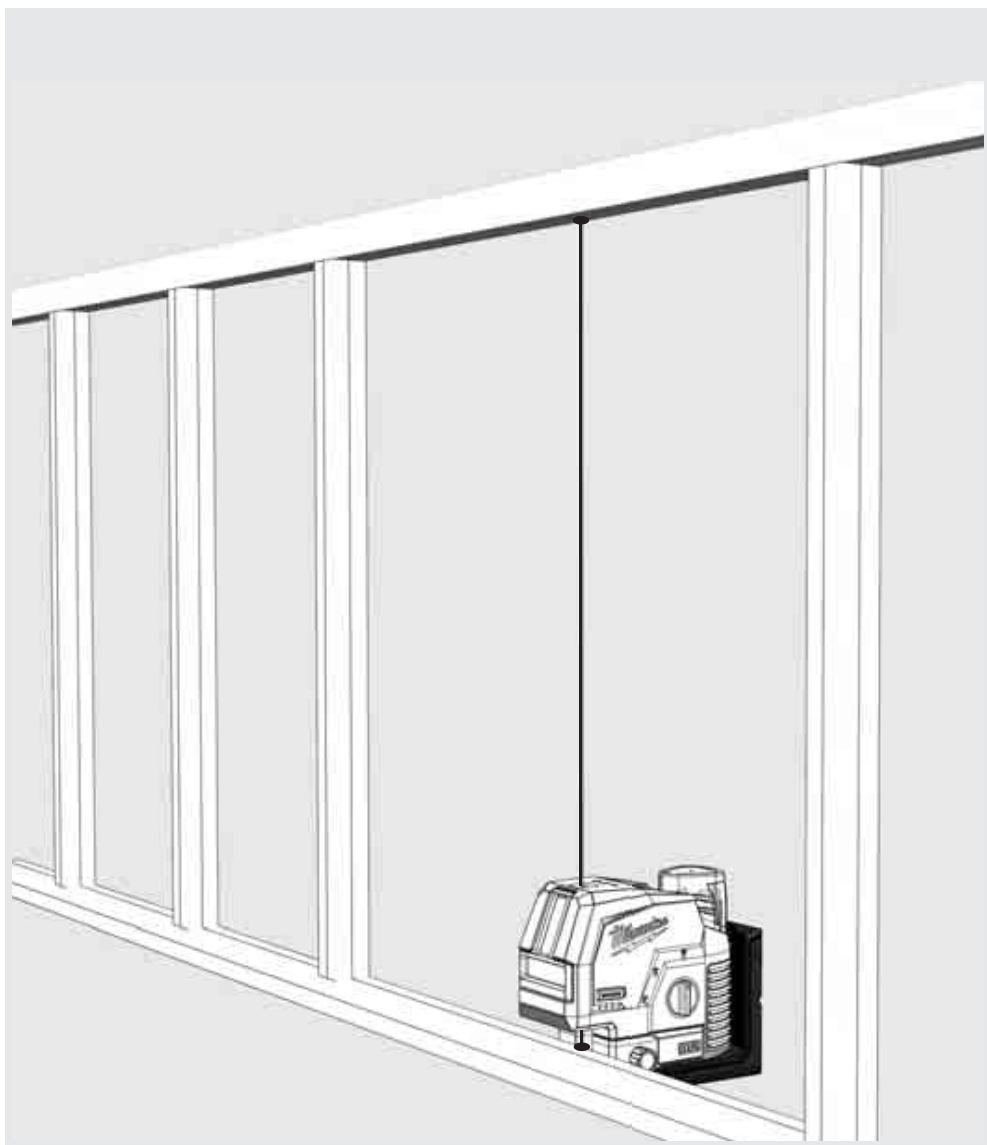
gire o interruptor rotativo para: **OFF**.



FUNÇÃO DE PRUMO

Com a função de prumo um ponto pode ser projetado verticalmente no teto.

A função de prumo destina-se, por exemplo, a transferir um ponto de referência para a instalação da iluminação ou da ventilação ou para transferir as altitudes.

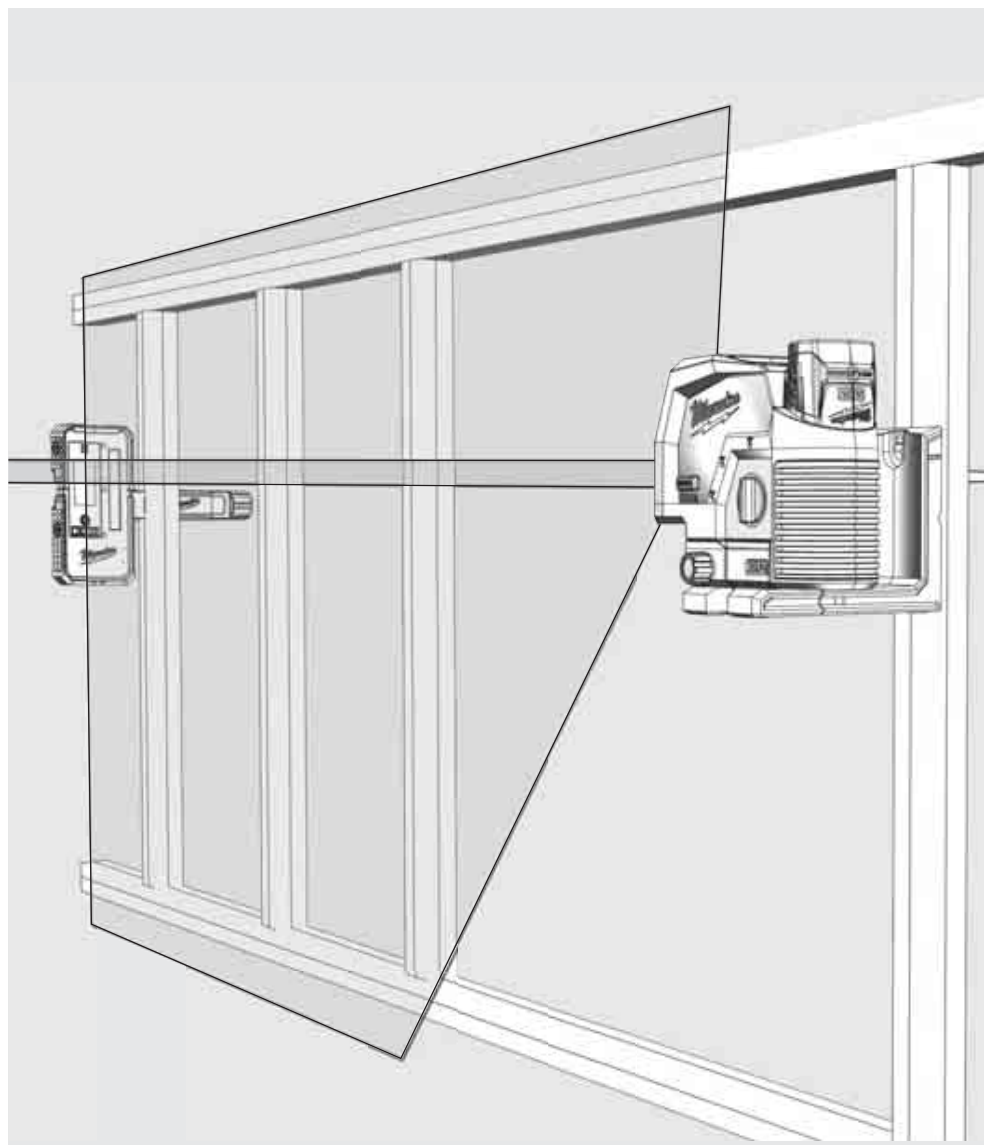


DETECTOR

Para trabalhos no exterior com luz solar direta ou condições de luz clara e aplicações no interior com um alcance de até 50 m use o detector de Milwaukee.

O detetor não está incluído no volume de fornecimento e deve ser comprado separadamente.

Informações detalhadas sobre a utilização do detetor constam no manual de instruções para o detetor.



O laser é completamente calibrado na fábrica. A Milwaukee recomenda verificar periodicamente a precisão do laser, particularmente após uma queda ou em caso de erros de operação.

Se a divergência máxima for excedida na verificação da precisão, por favor, contate um dos nossos centros de assistência da Milwaukee (veja a lista com as condições de garantia e os endereços dos centros de assistência).

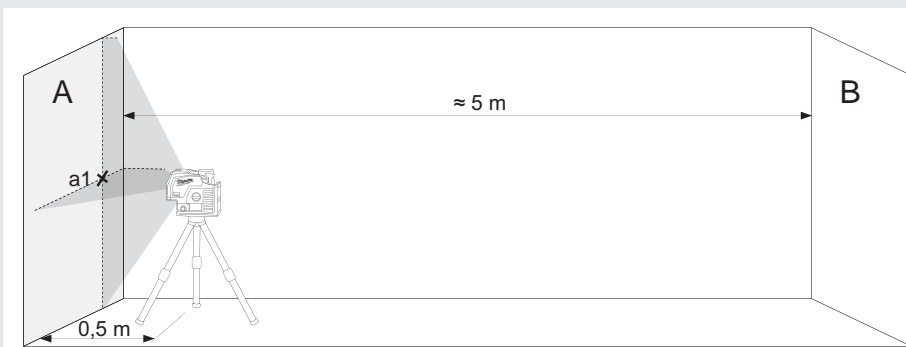
1. Verifique a precisão da altura das linhas horizontais.
2. Verifique a precisão de nivelamento da linha horizontal.
3. Verifique a precisão da linha vertical.
4. Verifique a precisão do prumo.

Antes de verificar a precisão do laser montado no tripé, verifique o nivelamento do tripé.



1 VERIFICAÇÃO DA PRECISÃO DA ALTURA DA LINHA HORIZONTAL (DIVERGÊNCIA PARA CIMA E PARA BAIXO)

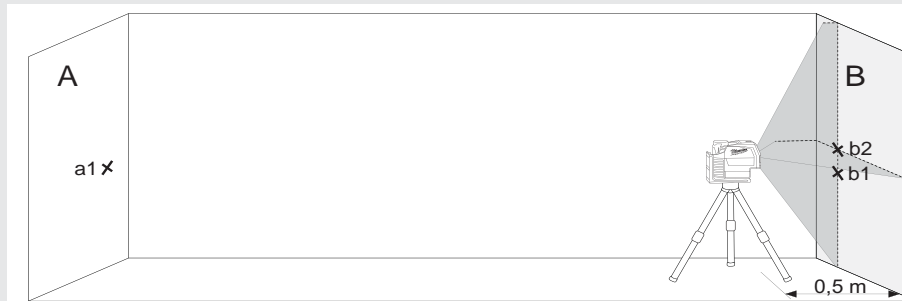
1. Coloque o laser num tripé numa superfície plana e entre duas paredes A e B com uma distância de aprox. 5 m, uma da outra.
2. Posicione o laser a uma distância de aprox. 0,5 m da parede A.
3. Ligue o modo de autonivelamento e prima a tecla para projetar a linha horizontal e vertical na parede A.
4. Marque o ponto de intersecção das duas linhas como ponto a1 na parede A.



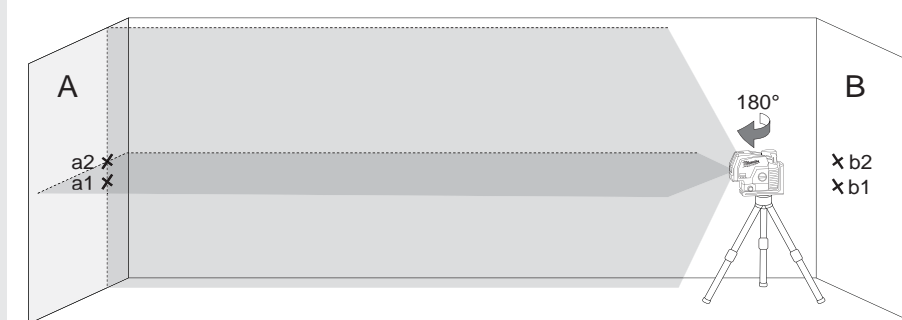
5. Gire o laser 180° na direção da parede B e marque o ponto de intersecção como b1 na parede B.



6. Coloque o laser numa distância de aprox. 0,5 m da parede B.
7. Marque o ponto de intersecção das duas linhas como b2 na parede B.



8. Gire o laser 180° na direção da parede A e marque o ponto de intersecção das duas linhas como a2 na parede A.



9. Meça as distâncias:

$$\Delta a = |a2 - a1|$$

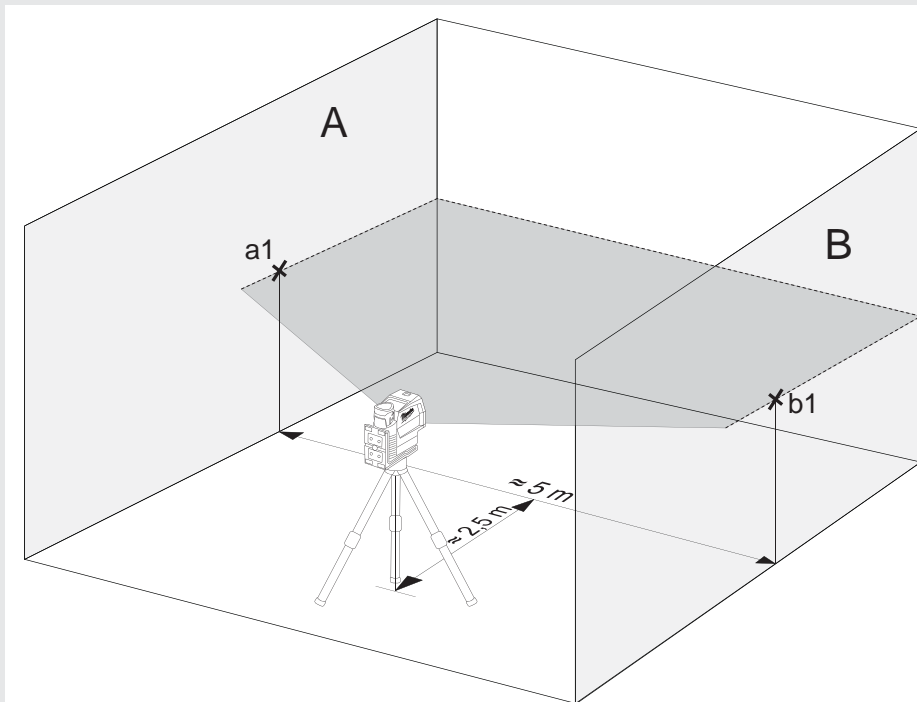
$$\Delta b = |b1 - b2|$$

10. A diferença $|\Delta a - \Delta b|$ não deve ser maior que 2 mm.

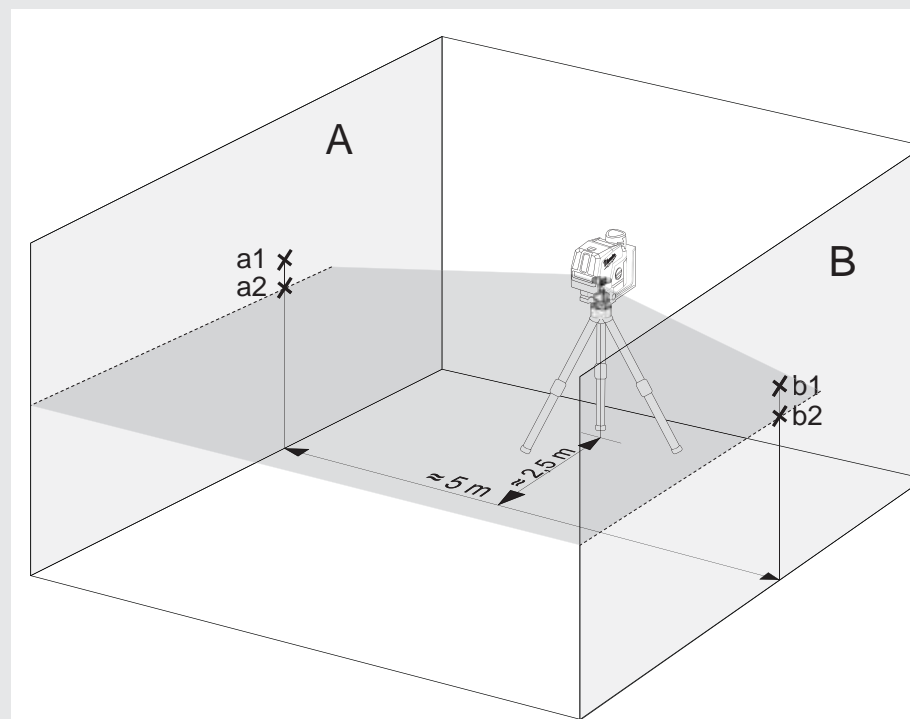
2 VERIFICAÇÃO DA PRECISÃO DO NIVELAMENTO DA LINHA HORIZONTAL (DIFERENÇA DUM LADO PARA OUTRO)

Uma área livre de aprox. 5 x 5 m é necessária para este teste.

1. Coloque o laser num tripé ou numa superfície plana entre duas paredes A e B com uma distância de aprox. 5 m, uma da outra.
2. Coloque o laser numa distância de aprox. 2,5 m do centro da divisão.
3. Ligue o modo de autonivelamento e prima a tecla para projetar a linha horizontal nas paredes A e B.
4. Marque o ponto central da linha laser na parede A com a1 e na parede B com b1.



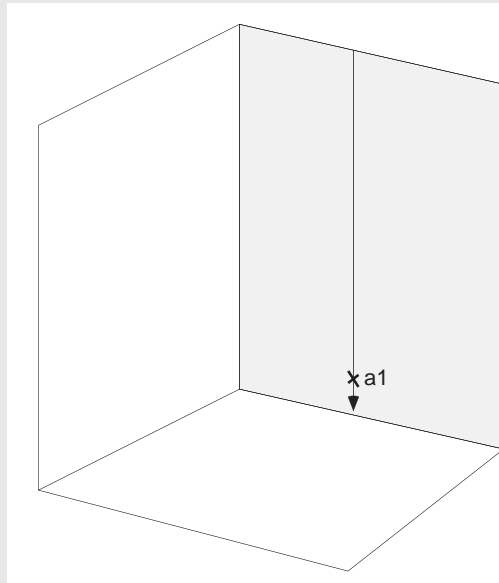
5. Desloque o laser por aprox. 5 m e gire-o 180° e projete novamente a linha horizontal nas paredes A e B.
6. Marque o ponto central da linha laser na parede A com a2 e na parede B com b2.



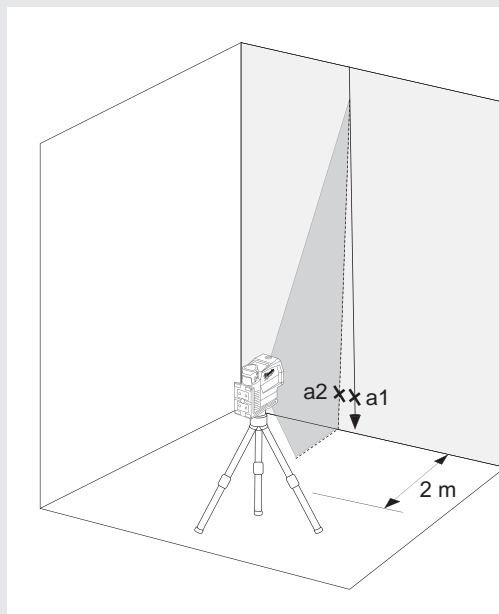
7. Meça as distâncias:
 $\Delta a = |a2 - a1|$
 $\Delta b = |b1 - b2|$
8. A diferença $|\Delta a - \Delta b|$ não deve ser maior que 2 mm.

3 VERIFICAÇÃO DA PRECISÃO DE NIVELAMENTO DA LINHA VERTICAL

1. Pendure uma linha de prumo de aprox. 4 m numa parede.
2. Depois do prumo parar de oscilar, marque o ponto a1 acima do cone de chumbo na parede.



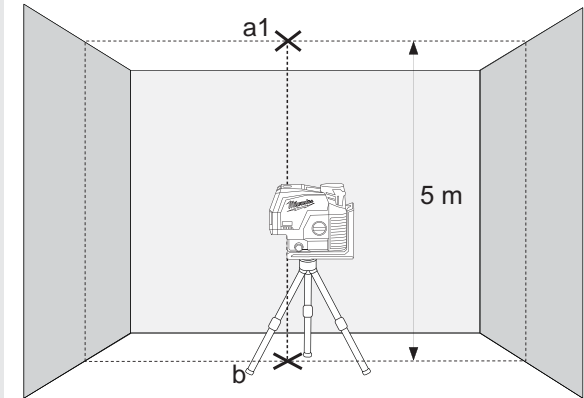
3. Coloque o laser num tripé ou numa superfície plana numa distância de aprox. 2 m da parede.
4. Ligue o modo de autonivelamento e prima a tecla para projetar a linha vertical na linha de prumo.
5. Gire o laser para que a linha vertical corresponda com a suspensão da linha de prumo.
6. Marque o ponto a2 no centro da linha vertical na mesma altura como a1 na parede.
7. A distância entre a1 e a2 não deve ser maior que 1 mm.



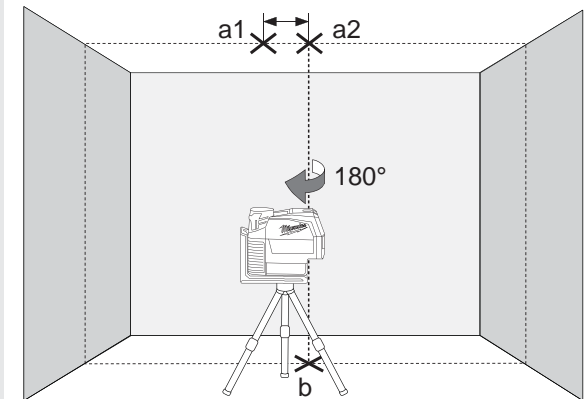
4 VERIFICAÇÃO DA PRECISÃO DO PRUMO

Para esta verificação é necessária uma sala com uma altura do teto de aprox. 5 m.

1. Instale o laser cruzado em um tripé.
2. Ligue o modo de autonivelamento e pressione o botão para alternar para a função plump.
3. Marque o ponto de prumo superior no teto como ponto a1 (veja a ilustração).
4. Marque o ponto de prumo inferior no chão como ponto b.



5. Gire o 180° e posicione-o, de forma que o ponto central do ponto de prumo alcance o ponto b já marcado e aguarde o nivelamento do dispositivo.
6. Marque o ponto de prumo superior no teto como ponto a1 (veja a ilustração).
7. A distância entre os pontos a1 e a2 no teto indica a divergência da linha laser do eixo vertical ideal. Com um percurso de medição de 5 m a divergência máxima admissível é:
 $5 \text{ m} \times (\pm 0,6 \text{ mm/m}) \times 2 = \pm 6 \text{ mm}$.
8. A distância entre a1 e a2 não deve ser maior que 6 mm.



INHOUD

Belangrijke Veiligheidsvoorschriften	73
Onderhoud.....	74
Technische gegevens	74
Beoogd gebruik	74
Overzicht	75
Uitrusting	76
Vervang batterij	76
Indicator batterijcapaciteit	77
Indicator voor bijna lege batterij	77
Plafondmontage	77
Muurbevestiging en groene doelplaat	78
Werkzaamheden in de zelfnivelleringsmodus	79
Werken in de handmatige modus.....	80
Loodfunctie.....	81
Detector.....	81
Nauwkeurigheid controleren.....	82

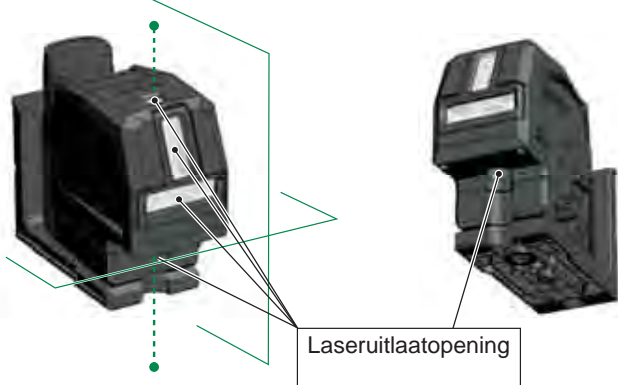
BELANGRIJKE VEILIGHEIDSVOORSCHRIFTEN



OPGELET! WAARSCHUWING! GEVAAR!

Gebruik dit product niet voordat u de veiligheidsinstructies en de gebruiksaanwijzing.

Laserclassificatie



WAARSCHUWING:

Het is een Klasse 2 laserproduct in overeenstemming met EN60825-1:2014 .



Waarschuwing!

Stel de ogen niet direct bloot aan de laserstraal. De laserstraal kan ernstig oogletsel en/of blindheid veroorzaken.

Kijk niet direct in de laserstraal en richt de straal niet onnodig op andere personen.

Voorzichtig! Bij bepaalde toepassingen kan het laseremitterende toestel zich achter u bevinden. Draai u in dergelijke gevallen voorzichtig om.

Waarschuwing!

Gebruik de laser niet in de buurt van kinderen en laat kinderen de straal niet bedienen.

Opgelet! Een reflecterend oppervlak zou de laserstraal terug naar de bediener of een andere persoon kunnen reflecteren.

Waarschuwing! Het gebruik van stuelelementen of instellingen of de uitvoering van andere dan in de handleiding voorgeschreven processen kan leiden tot een gevaarlijke stralingsbelasting.

Als de laser vanuit een zeer koude naar een warme omgeving (of omgekeerd) wordt gebracht, moet hij de omgevingstemperatuur hebben bereikt voordat hij mag worden gebruikt.

Bewaar de laser niet in de openlucht en bescherm hem tegen stoten, voortdurende trillingen en extreme temperaturen.

Bescherm het lasermeettoestel tegen stof, natheid en te hoge luchtvochtigheid. Deze factoren zouden inwendige onderdelen onherstelbaar kunnen beschadigen of de nauwkeurigheid negatief kunnen beïnvloeden.

Als de laserstraal uw oog raakt, sluit u uw ogen en draait u uw hoofd onmiddellijk uit de laserstraal.

Richt de laserstraal zodanig dat noch uzelf noch andere personen door de laserstraal worden verblind.

Kijk niet met optische vergrotingsapparaten, zoals verrekijkers of telescopen, in de laserstraal. In het andere geval dreigt gevaar voor ernstig oogletsel.

Houd er rekening mee dat laserbrillen bedoeld zijn voor de betere herkenning van de laserlijnen, maar geen bescherming bieden tegen de laserstraling.

Waarschuwbordjes op het lasertoestel mogen niet verwijderd of onleesbaar gemaakt worden.

Demonteer de laser niet. Laserstraling kan ernstig oogletsel veroorzaken.

Waarborg vóór het transport van de laser dat de pendelarrêtering vastgeklikt is.

Opmerking: wanneer de pendelarrêtering niet is vastgeklikt, kan het inwendige van het toestel tijdens het transport beschadigd raken.


Gebruik geen agressieve reinigingsmiddelen of oplosmiddelen. Reinig het toestel uitsluitend met een schone, zachte doek.


Bescherm de laser tegen stoten en vallen. Na een val of sterke mechanische inwerkingen moet de nauwkeurigheid van het toestel vóór het verdere gebruik worden gecontroleerd.

Vereiste reparaties aan dit laserapparaat mogen alleen worden uitgevoerd door geautoriseerd vakpersoneel.

Gebruik het instrument niet in ruimten met explosiegevaar of in een agressieve omgeving.

Verwijder de batterijen uit het batterijvakje als u het toestel gedurende een langere tijd niet gebruikt. Zo kan lekkage van de batterijen en daarmee gepaard gaande corrosieschade worden vermeden.

 Lege batterijen mogen niet bij het huisvuil worden weggegooid. Denk aan het milieu en lever ze in bij de beschikbare inzamelpunten in overeenstemming met nationale en lokale regels. Het product mag niet bij het huisvuil worden weggegooid. Het product moet in overeenstemming met de nationale regelgeving van uw land worden verwijderd. Houdt u aan de nationale en landspecifieke regelgeving. Neem voor informatie over de afvoer contact op met uw gemeente of vakhandelaar.

 Europees symbool van overeenstemming

ONDERHOUD

Reinig het objectief en de behuizing van de laser met een zachte, schone doek. Gebruik geen oplosmiddelen.

Ook al is de laser tot een bepaalde mate stof- en vuilbestendig, toch mag hij niet gedurende een langere tijd op een stoffige plaats worden bewaard omdat hierdoor inwendige onderdelen beschadigd kunnen raken.

Als de laser nat geworden is, dient hij afgedroogd te worden voordat hij in de draagkoffer wordt teruggeplaatst, zodat geen corrosieschade kan ontstaan.

TECHNISCHE GEGEVENS

Laserklasse	2
Zelfnivelleringsbereik	± 4°
Zelfnivelleringsduur	3 s
Batterijtype	Li-Ion
Spanning DC	12V ===
Beschermingsklasse (spatwater en stof)	IP54*
Max. toepassingshoogte	2000 m
Max. relatieve luchtvochtigheid	80%
Verontreinigingsgraad conform IEC 61010-1	2**
Pulsduur t_p	≤ 80 μs
Functies	horizontale lijn, verticale lijn, kruislijnen, loodfunctie (2 punten)
Frequentie	10 kHz
Projecties	2 groene lijnen, 2 punten groen
Diode hoeveelheid	2
Diode type	30 mW
Mogelijke laserlijnen	Enkele horizontale, enkele verticale + 2 schietpunten op en neer, kruislijn + 2 schietpunten (op en neer).
Bedrijfsduur	15 uur met wisselakku M12 3.0 Ah
Schroefdraad statief	1/4" / 5/8"
Geschikte detector	Milwaukee LLD50

Laserlijn	Breedte	< 9,53mm @ 30m
	Golflengte	510 - 530 nm laserklasse II
	maximaal vermogen	≤ 7 mW
	Nauwkeurigheid	+/- 3 mm / 10 m
	Openingshoek	verticale lijn > 120°; horizontale lijn > 114°
	Kleur	groen
	Reikwijdte	38 m (met detector 50 m)
Loodpunt	Golflengte laserpunt	510 - 530 nm laserklasse II
	Max. vermogen laserpunt	< 1 mW
	Loodnauwkeurigheid	+/- 3 mm / 10 m
	Kleur van de laserpunt	groen
	Reikwijdte	30 m
Aanbevolen bedrijfstemperatuur		-10 °C tot +40 °C
Opslagtemperatuur		-20 °C tot +50 °C
Aanbevolen accutypes		M12 B...
Afmetingen		170 mm x 82 mm x 148 mm
Gewicht (incl. batterijen)		1205 g

* IP54 geldt niet voor de lithium-ion-accu en het accuvakje.

** Er treedt alleen maar een niet-geleidende verontreiniging op, waarbij in incidentele gevallen een tijdelijk, door condensatie veroorzaakt geleidingsvermogen te verwachten is.

BEOOGD GEBRUIK

Het product dient bij voorkeur in binnenruimten te worden gebruikt. Bij gebruik in de openlucht moet worden opgelet dat de voorwaarden overeenstemmen met de voorwaarden in binnenruimten.

De innovatie laser is ontworpen voor een breed, professioneel toepassingsgebied, zoals bijv.:

- uitlijning van tegels, marmerplaten, kasten, sierranden, vormdelen en betimmeringen
- Markeren van de hoofdlijnen voor de inbouw van deuren, ramen, rails, trappen, hekken, poorten, veranda's, pergola's.
- Voor de bepaling en controle van horizontale en verticale lijnen.
- Nivelleren van verlaagde plafonds en buisleidingen, raamindelingen en buisuitlijning, nivelleren van buitenmuren voor elektrische installatiewerkzaamheden

Gebruik dit product alleen in overeenstemming met het beoogde gebruik.

Loodpunt

Venster verticale laserlijn

Venster horizontale laserlijn

Mode-knop

Kort indrukken: kiezen tussen laserlijnen:

- horizontaal
- verticaal + loodfunctie
- dwarslijnen + loodfunctie

Lang indrukken: schakel tussen normale modus / energiebesparende modus

LED-display batterijcapaciteit

20 ° micro-aanpassing (+/- 10 ° van midden)

Loodpunt

Statiefbevestiging 5/8 "

Statiefbevestiging 1/4 "



LED-display laserlijn

- horizontaal
- verticaal
- + kruislijn

M12 Accu

Markering voor de horizontale laserstraal

draaiknop

- OFF Uit / vergrendeld
- ON Aan / handmatige modus
- ON aan / zelfnivellerende modus

Magneethouder



Plafondmontage



UITRUSTING

Accessoires - Niet inbegrepen in de standaarduitrusting, verkrijgbaar als accessoires.

Terminal LM360



Detector LLD50

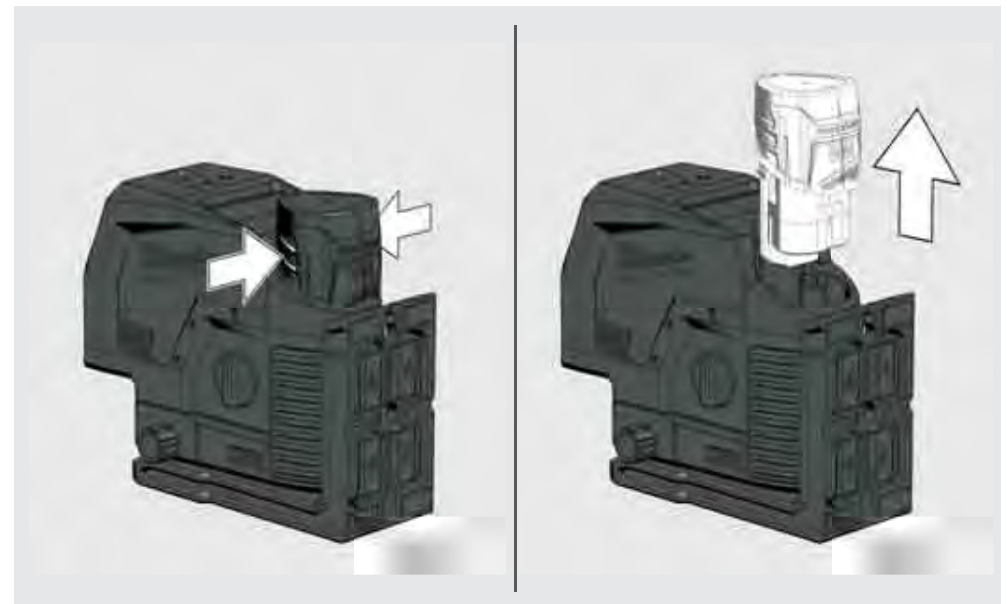
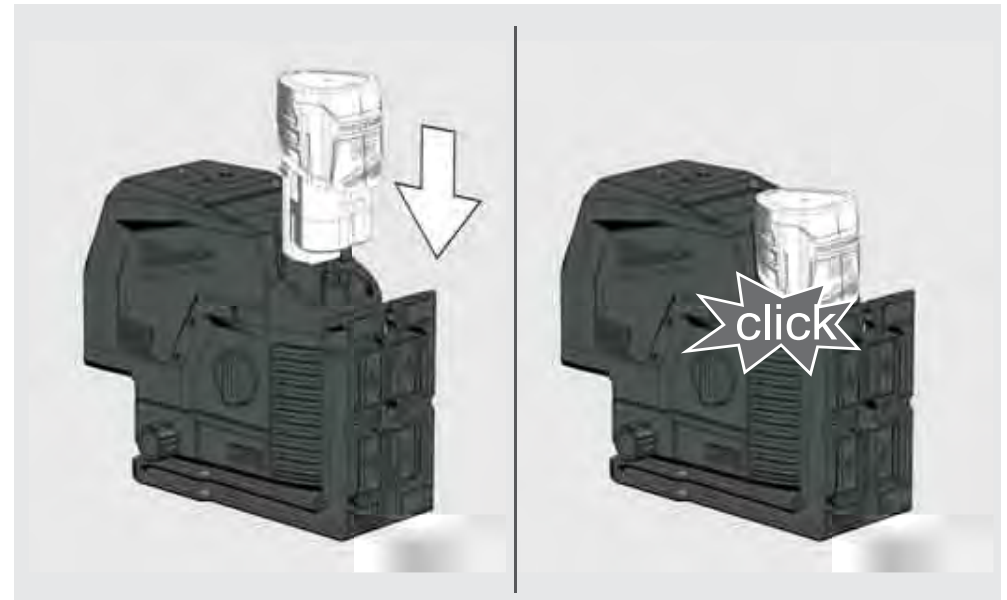


Statief TRP180



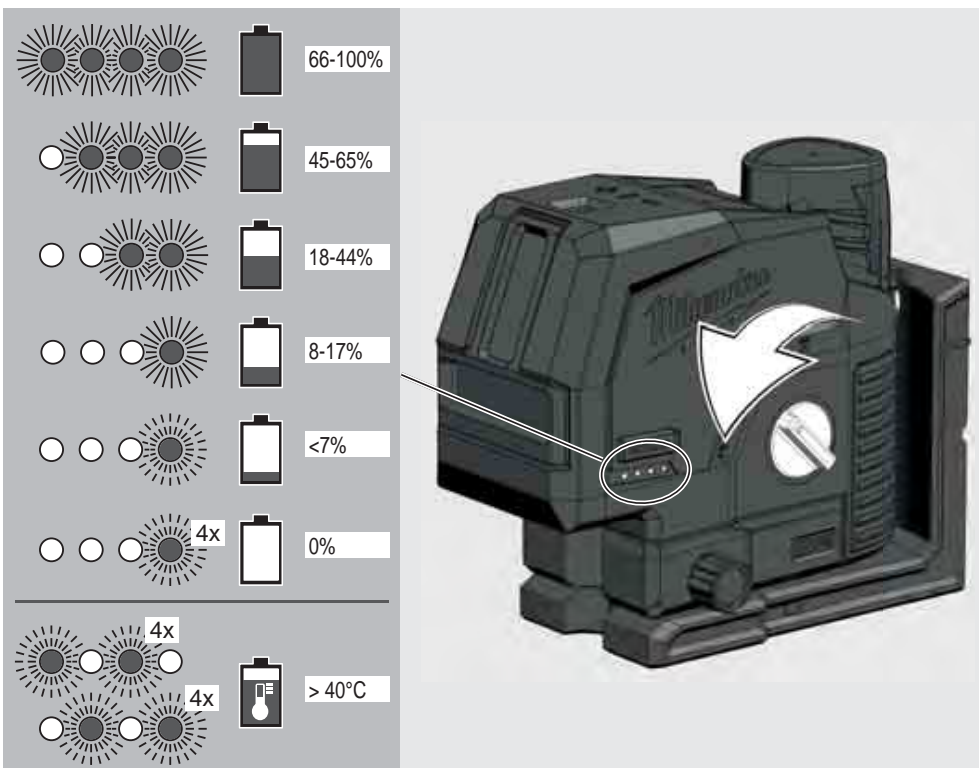
VERVANG BATTERIJ

Gebruik alleen een M12 oplaadbare Milwaukee-batterij.



INDICATOR BATTERIJCAPACITEIT

Na het in- of uitschakelen van de laser geeft de brandstofmeter de batterijduur weer.



INDICATOR VOOR BIJNA LEGE BATTERIJ

Als de spanning laag is, schakelt de laser over naar de energiebesparende modus.
De laser knippert in de zelfnivellerende modus

4 sec. 1 sec.

De laser knippert in handmatige modus

8 sec. 1 sec.

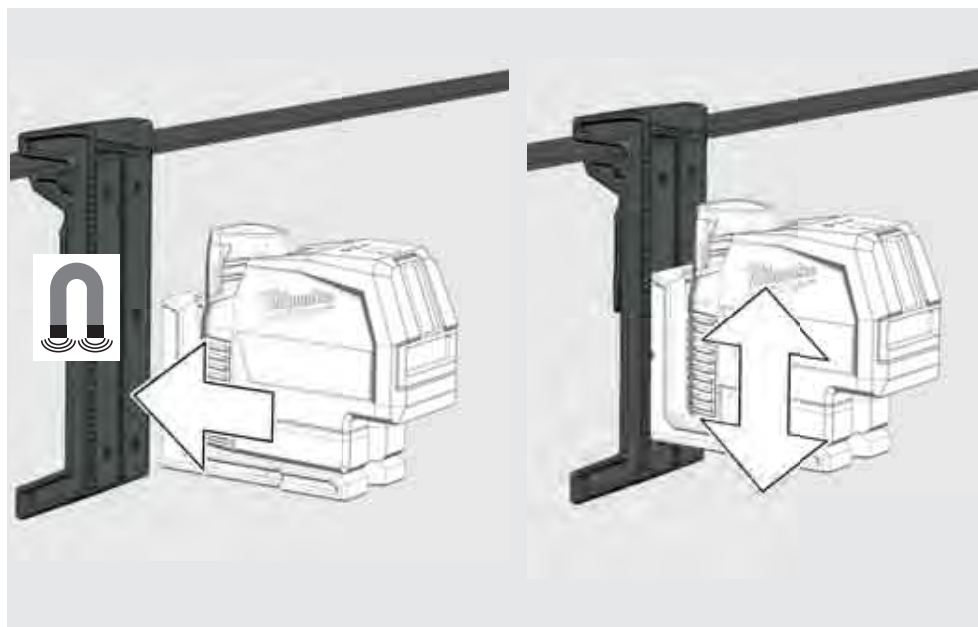
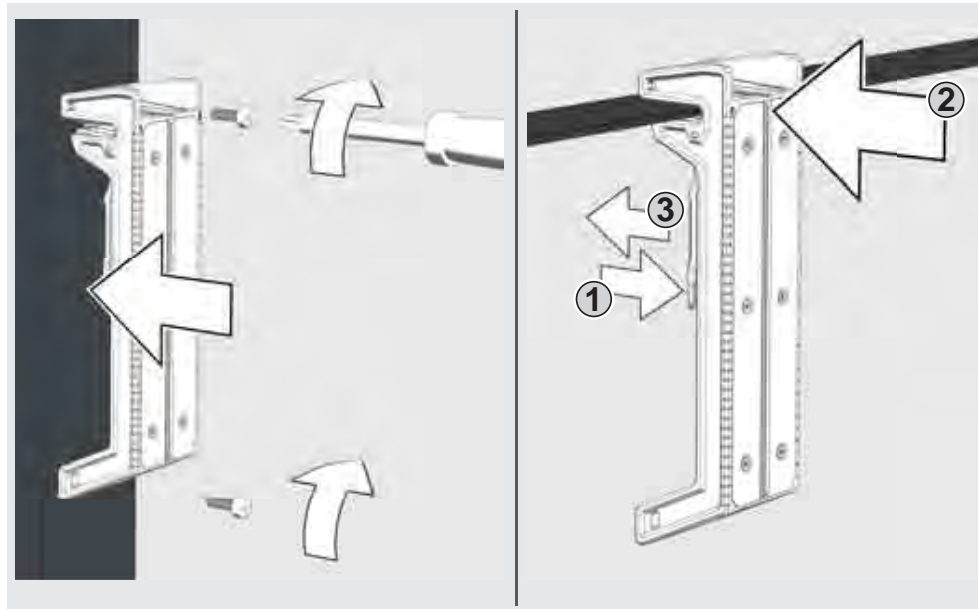
Voortaan is het nog mogelijk om het werk voort te zetten.

Als de spanning te laag is, knipperen de laser en de LED 4 keer en wordt deze automatisch uitgeschakeld.

PLAFONDMONTAGE

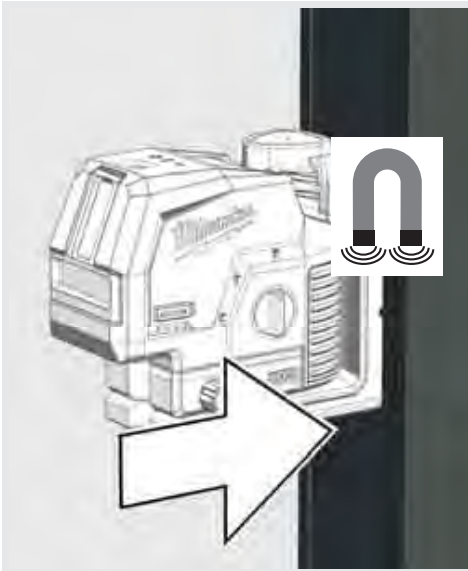
Bevestig de trackclip met schroeven aan een pilaar.

Gebruik de plafondmontage om de laser aan plafondkanalen, rekken vast te klemmen ...



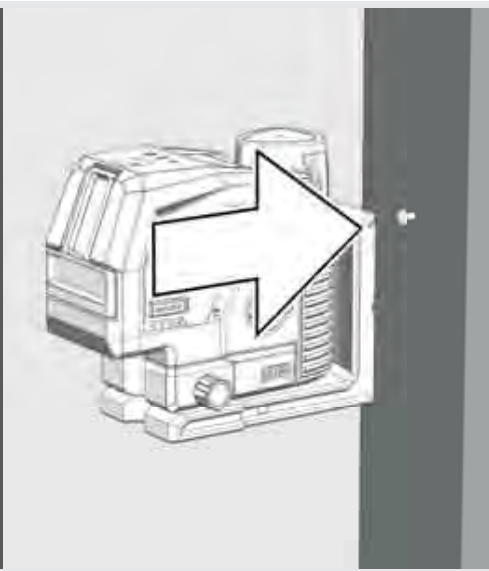
MUURBEVESTIGING EN GROENE DOELPLAAT

Met de magnetische wandhouder kan de laser op wanden, metalen structuren e.d. worden bevestigd.



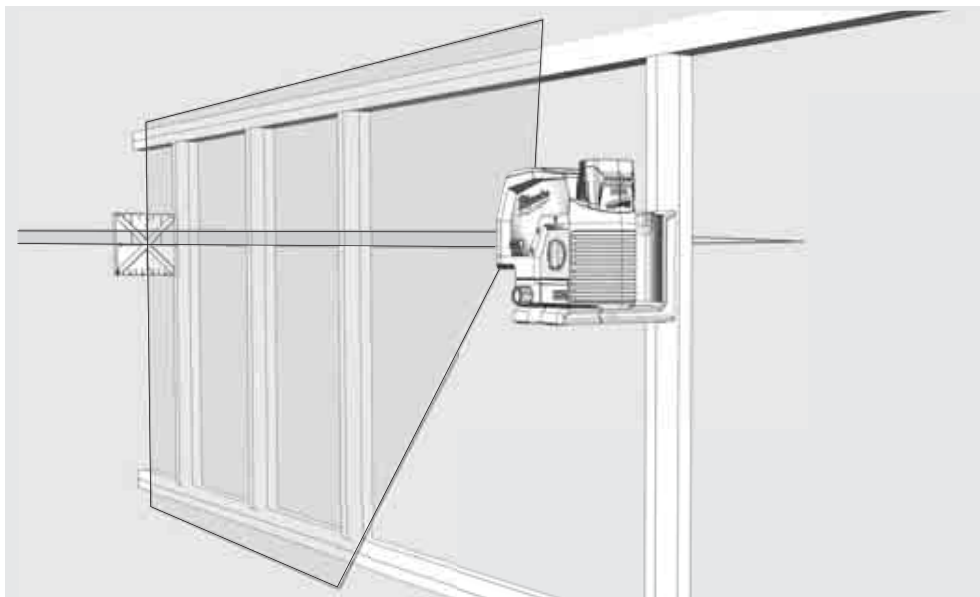
Draai de laser 360 °.

Of bevestig met een schroef of spijker op een pilaar.

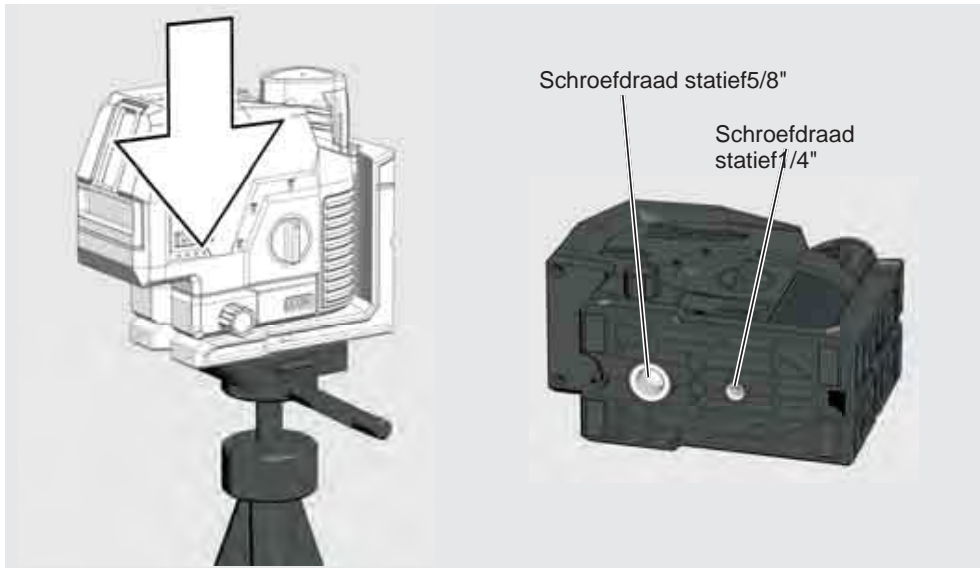


Gebruik de instelknop voor 20 ° draaibare microverstelling

Gebruik de groene richtplaat om de zichtbaarheid van de laserstraal in ongunstige omstandigheden en op grotere afstanden te verbeteren.



Gebruik de statiefbevestiging om de laser op een statief te bevestigen.

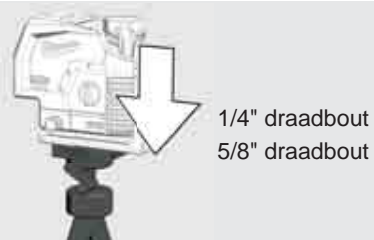


WERKZAAMHEDEN IN DE ZELFNIJVELLERINGSMODUS

In de zelfnivelleringsmodus lijnt de laser zich zelfstandig uit in een bereik van $\pm 4^\circ$. Daarvoor worden een horizontale laserlijn, een verticale laserlijn of beide laserlijnen tegelijkertijd geprojecteerd.

1

Plaats de laser op een vaste, vlakke en trillingsvrije ondergrond of monteer hem op een statief.



2

Draai de draaischakelaar naar:

ON

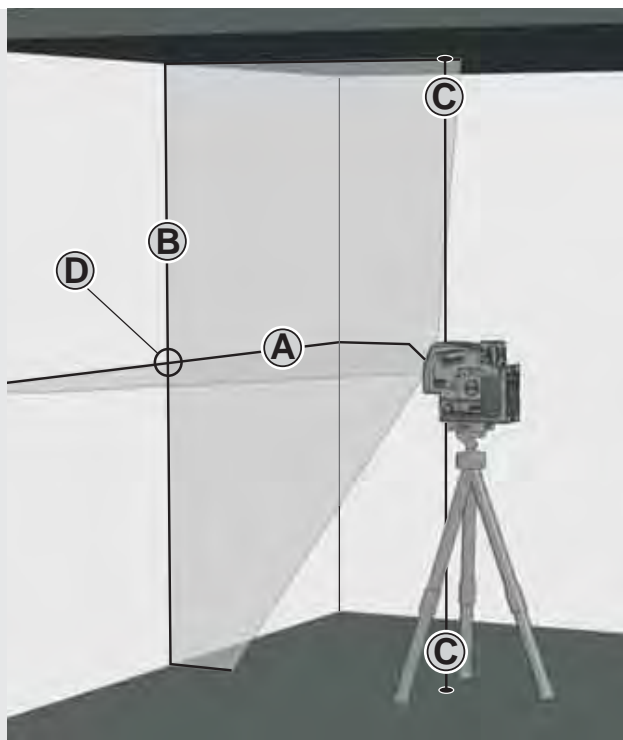


3

De laser genereert 2 laserlijnen.

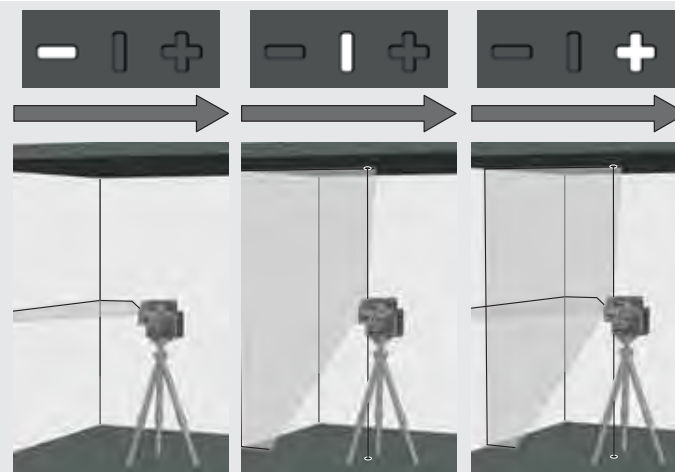
- (A) Horizontale lijn naar voren
- (B) Verticale lijn naar voren
- (C) Laserpunt

(D) Als alle lijnen geactiveerd zijn, genereert de laser kruislijnen naar voren.



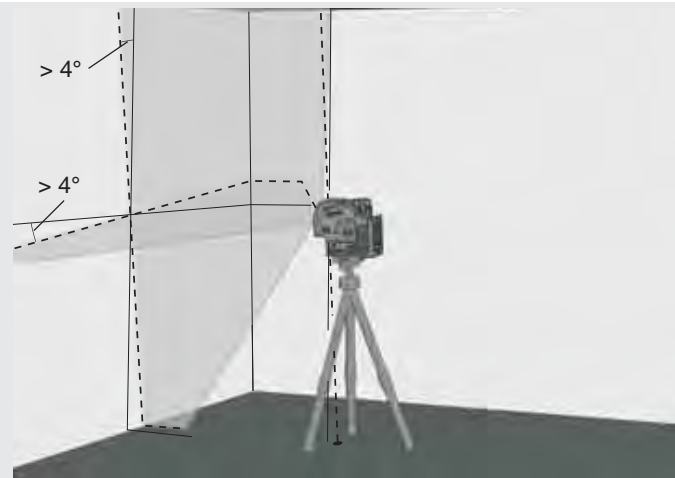
4

Kies de gewenste lijnen via de toets MODE.



5

Als de laser bij een actieve zelfnivellering in het begin niet op $\pm 4^\circ$ is uitgelijnd, knipperen de laserlijnen. - - - - . Positioneer de laser in dat geval opnieuw.



6

Draai, voordat u de laser verplaatst, de draaischakelaar naar OFF. Daardoor wordt de pendel gearrêteerd en de laser beschermd.



WERKEN IN DE HANDMATIGE MODUS

In de handmatige modus is de zelfnivelleringsfunctie gedeactiveerd en kan de laser in elke willekeurige hoek van de laserlijnen worden ingesteld.

1

Plaats de laser op een vaste, vlakke en trillingsvrije ondergrond of monteer hem op het statief.



2

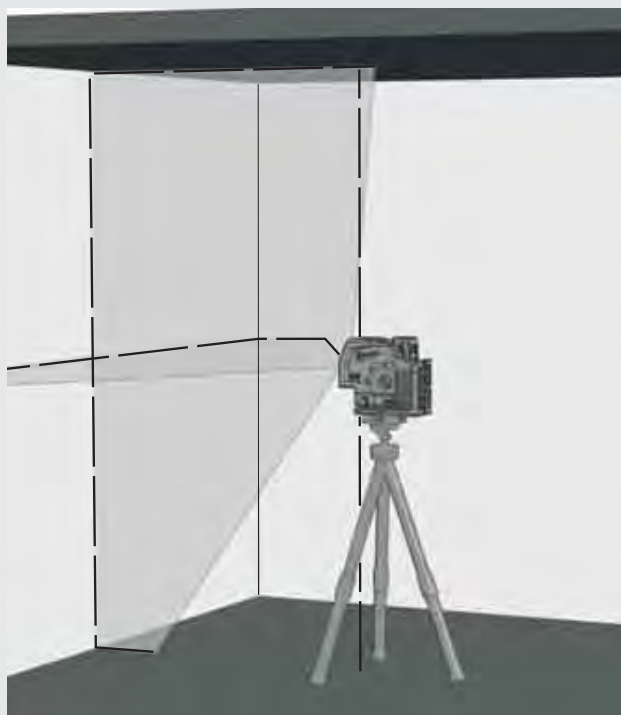
Draai de draaischakelaar naar:



3

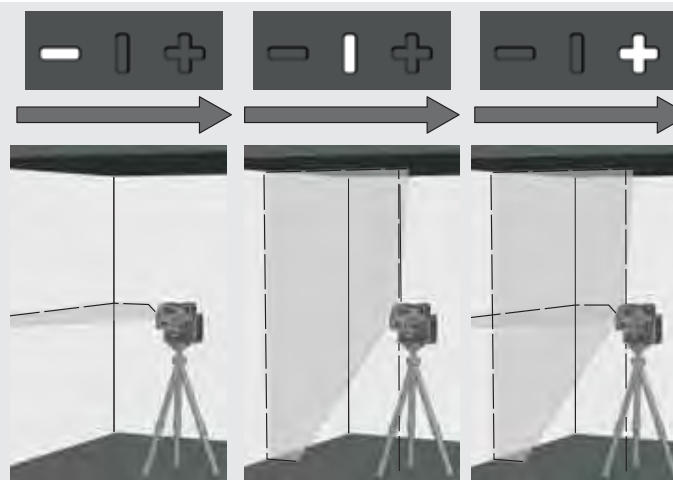
Net als in de zelfnivelleringsmodus genereert de laser 2 laserlijnen die echter om de 8 seconden onderbroken worden.

8 sec. 8 sec. 8 sec.



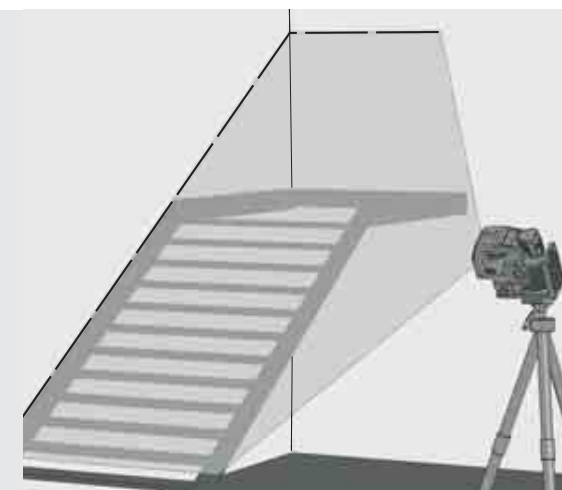
4

Kies de gewenste lijnen via de toets MODE.




5


Stel de gewenste hoogte en hoek van het statief in met behulp van de poten.



6

Om de handmatige modus af te sluiten,

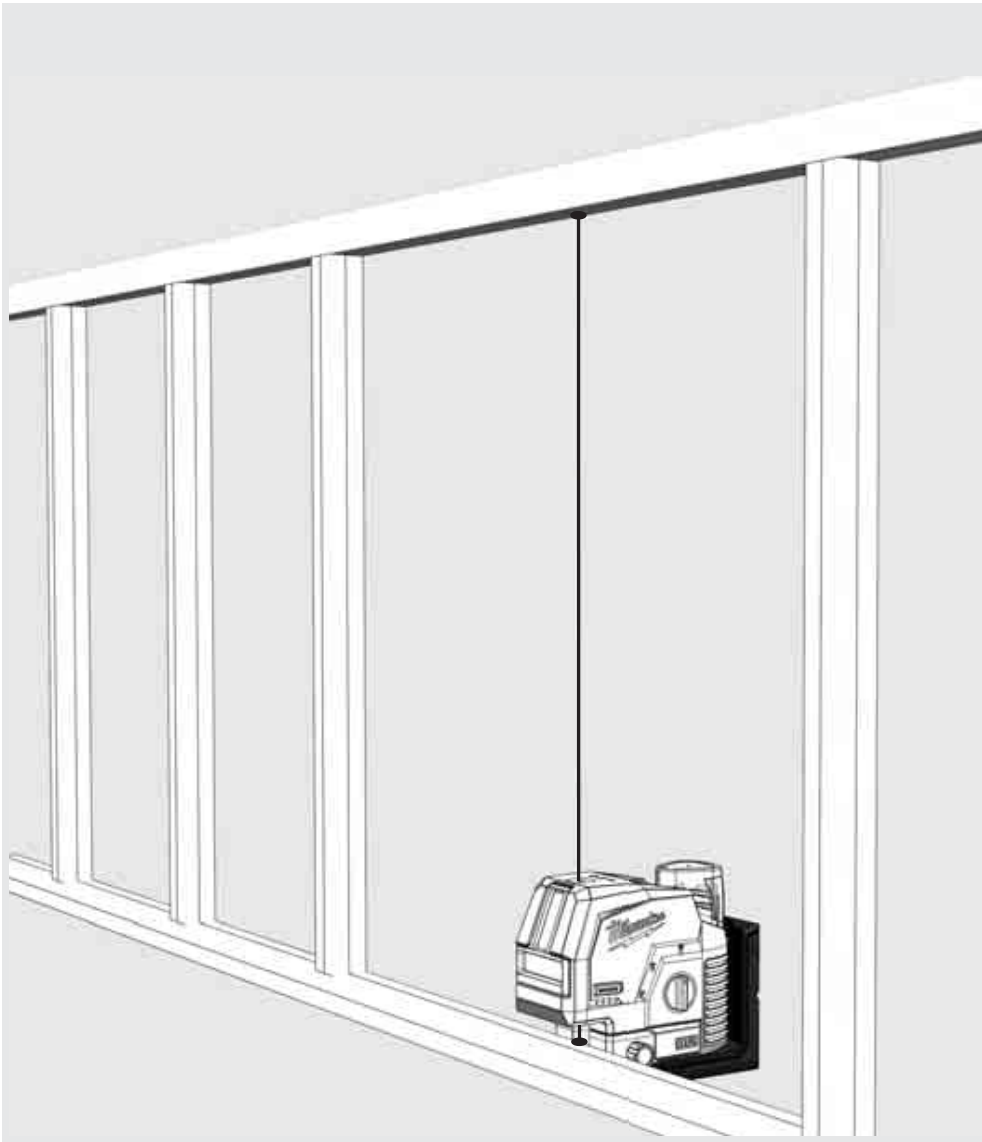
Draai de draaischakelaar naar:  ON
of

draai de draaischakelaar naar:  OFF



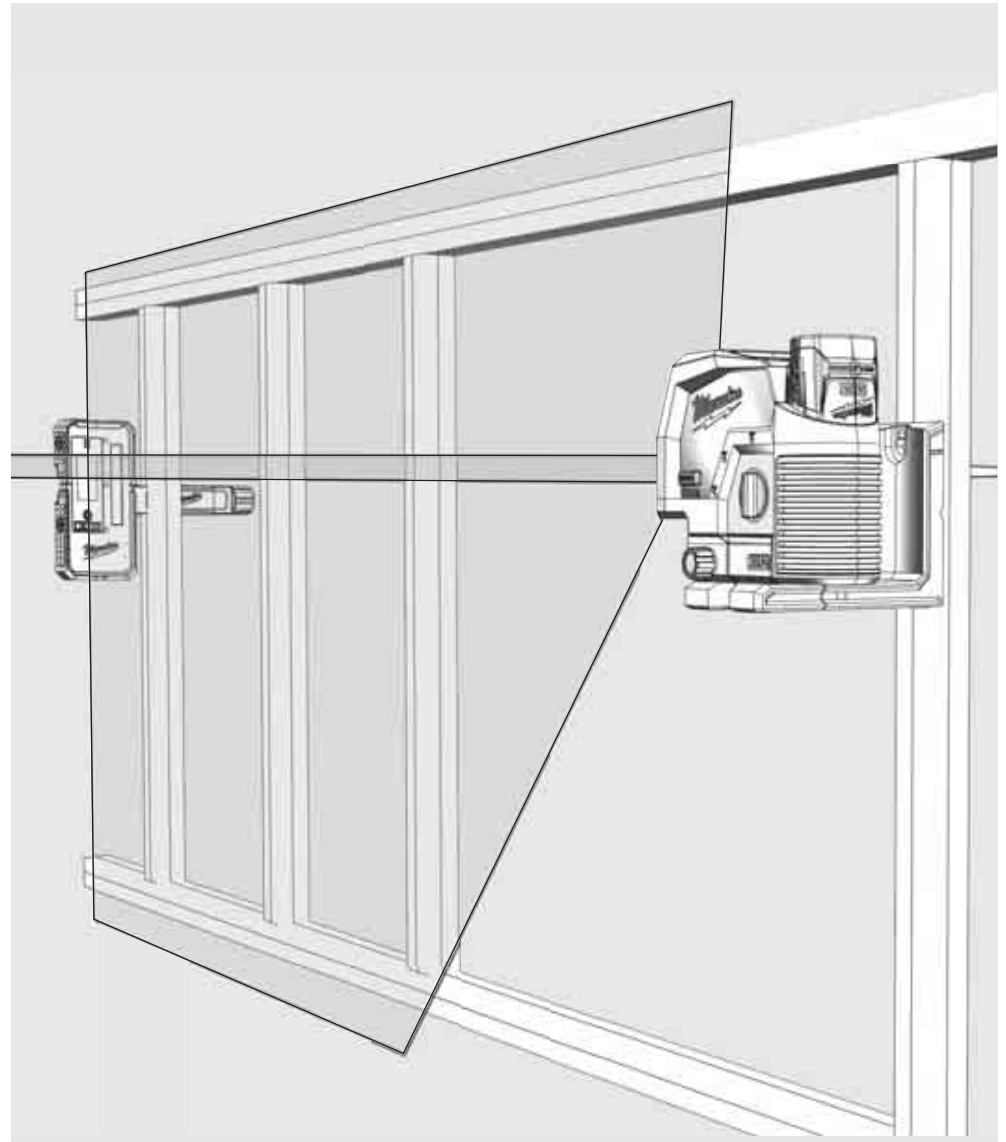
LOODFUNCTIE

Met de loodfunctie kan een punt op de vloer loodrecht naar het plafond worden geprojecteerd. De loodfunctie is bijvoorbeeld bedoeld voor de overdracht van een referentiepunt voor de verlichtings- en ventilatie-installatie of om hoogten over te dragen.



DETECTOR

Gebruik de Milwaukee detector voor werkzaamheden in de openlucht bij direct zonlicht of heldere lichtomstandigheden en voor binnentoepassingen met een reikwijdte van 50 meter. De detector is niet bij de levering inbegrepen en moet apart worden besteld. Voor gedetailleerde informatie over het gebruik van de detector verwijzen wij naar de betreffende handleiding.



De laser is af fabriek volledig gekalibreerd. Milwaukee adviseert, de nauwkeurigheid van de laser regelmatig te controleren, vooral na een val of een verkeerde bediening.

Neem contact op met een van onze Milwaukee-servicecenters (zie lijst met garantievoorwaarden en servicecenteradressen) als tijdens een controle de maximale afwijking van de nauwkeurigheid wordt overschreden.

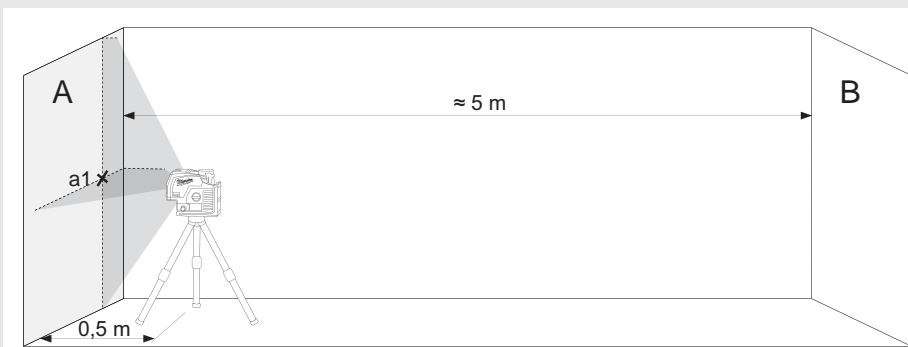
1. Hoogtenauwkeurigheid van de horizontale laserlijn controleren.
2. Nivelleernauwkeurigheid van de horizontale laserlijn controleren.
3. Nivelleernauwkeurigheid van de verticale laserlijn controleren.
4. Loodnauwkeurigheid controleren.

Controleer de nivellering van het statief voordat u de nauwkeurigheid van de op het statief gemonteerde laser controleert.

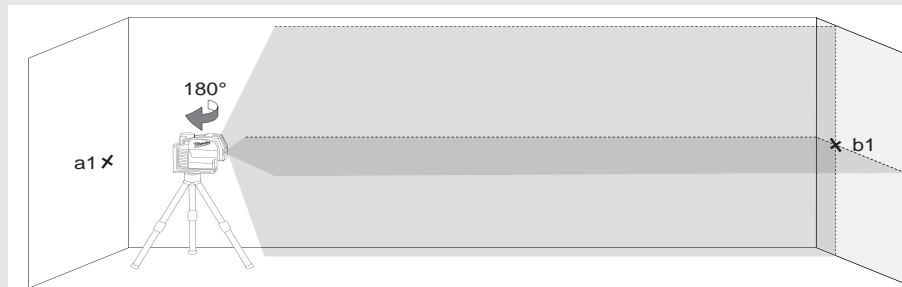


1 HOOGTENAUWKEURIGHEID VAN DE HORIZONTALE LASERLIJN CONTROLEREN (AFWIJING NAAR BOVEN EN BENEDEN)

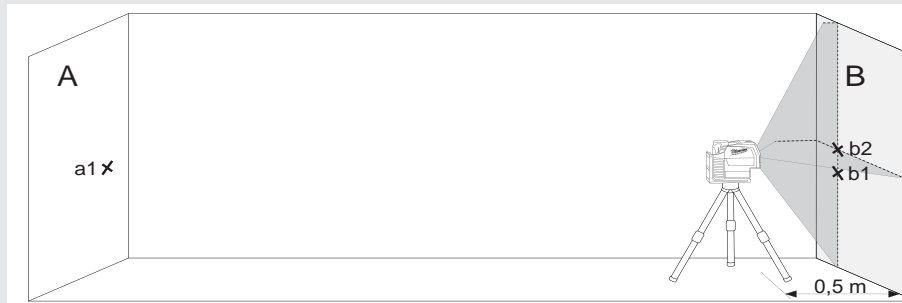
1. Plaats de laser op een statief of een vlakke ondergrond tussen twee 5 m van elkaar verwijderde wanden A en B.
2. Positioneer de laser op ca. 0,5 m afstand van wand A.
3. Schakel de zelfnivelleringsmodus in en druk op de toets om de horizontale en verticale laserlijnen op wand A te projecteren.
4. Markeer het snijpunt van de beide lijnen op wand A als punt a1.



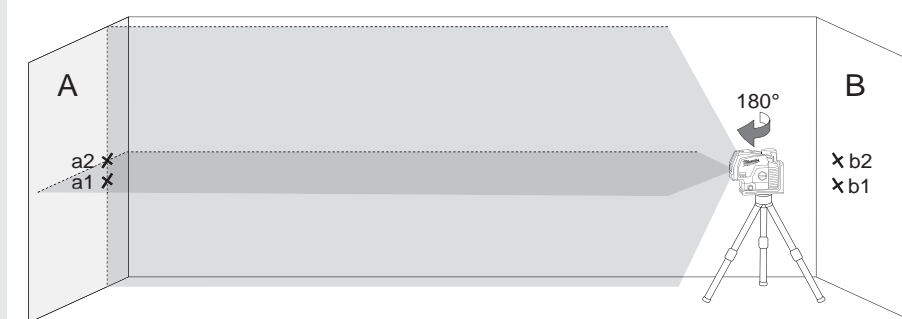
5. Draai de laser 180° in richting wand B en markeer het snijpunt van de beide lijnen op wand B als b1.



6. Positioneer de laser op ca. 0,5 m van wand B.
7. Markeer het snijpunt van de beide lijnen op wand B als punt b2.



8. Draai de laser 180° in richting wand A en markeer het snijpunt van de beide lijnen op wand A als a2.



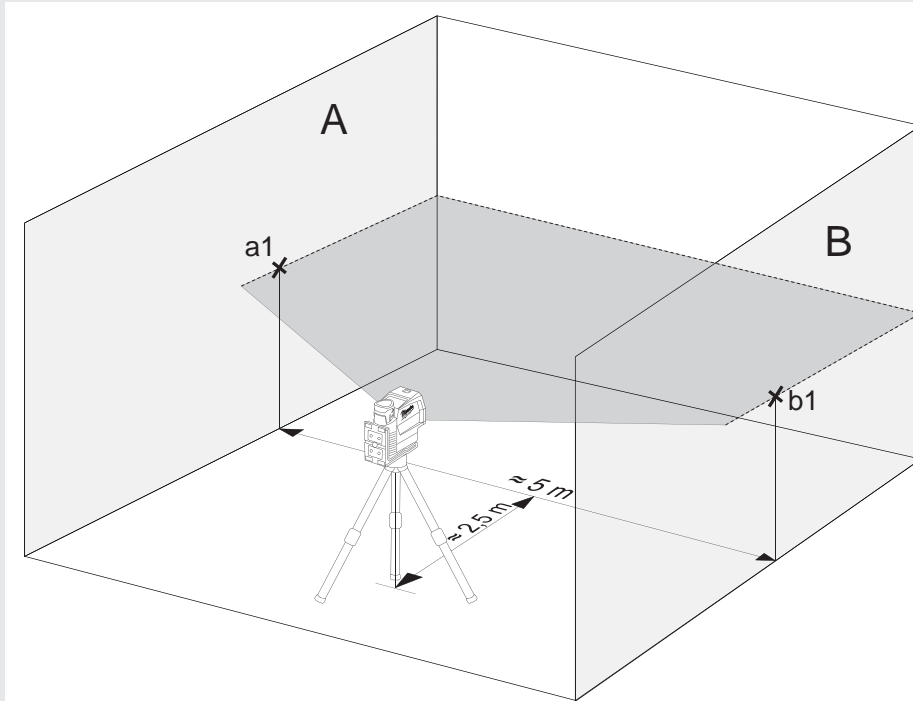
9. Meet de afstanden:
 $\Delta a = |a2 - a1|$
 $\Delta b = |b1 - b2|$

10. Het verschil $|\Delta a - \Delta b|$ mag niet meer dan 2 mm bedragen.

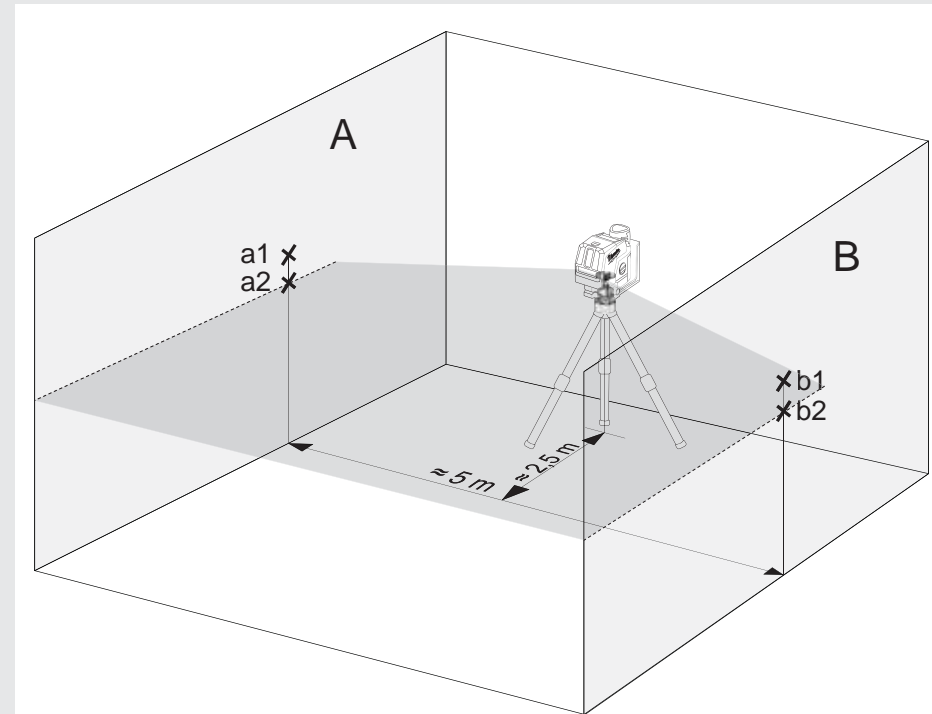
2 NIVELLEERNAUWKEURIGHEID VAN DE HORIZONTALE LASERLIJN CONTROLEREN (AFWIJKING VAN DE ENE NAAR DE ANDERE ZIJDE)

Voor deze controle is een vrij oppervlak van ca. 5 x 5 m vereist.

1. Plaats de laser op een statief of een vaste ondergrond tussen twee 5 m van elkaar verwijderde wanden A en B.
2. Positioneer de laser op ca. 2,5 m afstand van het midden van de ruimte.
3. Schakel de zelfnivelleringsmodus in en druk op de toets om de horizontale laserlijn op de wanden A en B te projecteren.
4. Markeer het middelpunt van de laserlijn op wand A met a1 en op wand B met b1.



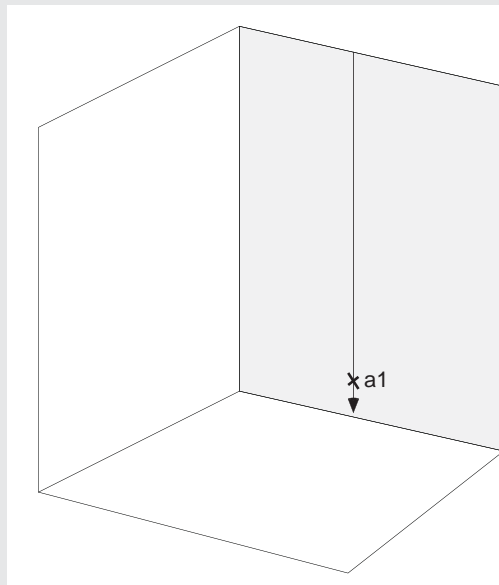
5. Verplaats de laser ca. 5 m, draai hem 180° en projecteer de horizontale laserlijn opnieuw op de wanden A en B.
6. Markeer het middelpunt van de laserlijn op wand A met a2 en op wand B met b2.



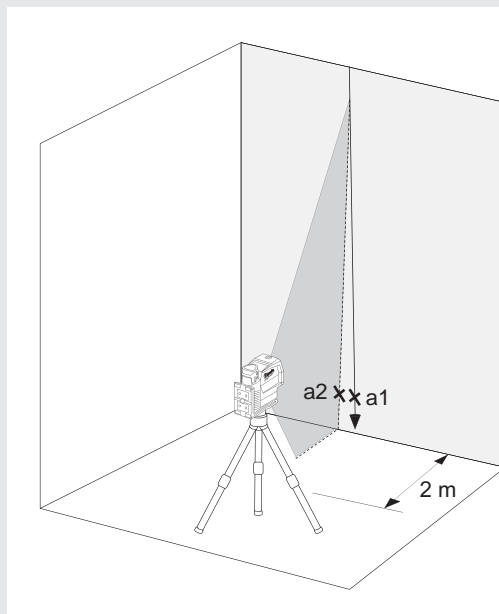
7. Meet de afstanden:
 $\Delta a = |a2 - a1|$
 $\Delta b = |b1 - b2|$
8. Het verschil $|\Delta a - \Delta b|$ mag niet meer dan 2 mm bedragen.

3 NIVELLEERNAUWKEURIGHEID VAN DE VERTICALE LASERLIJN CONTROLEREN

1. Hang een ca. 4 m lange loodlijn op aan een wand.
2. Markeer punt a1 boven het lood op de wand, zodra het lood stil hangt.



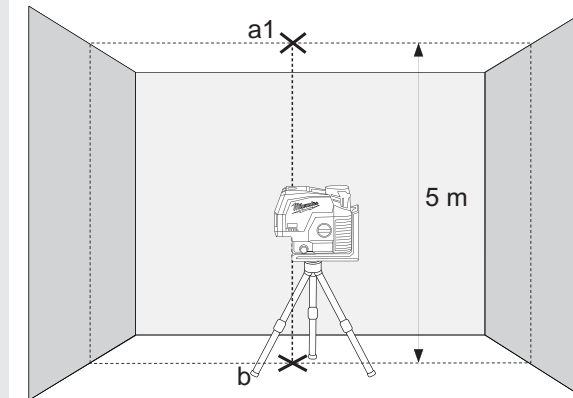
3. Plaats de laser op een statief of een vlakke ondergrond op ca. 2 m afstand van de wand.
4. Schakel de zelfnivelleringsmodus in en druk op de toets om de verticale laserlijn op het loodsnoer te projecteren.
5. Draai de laser zodanig dat de verticale lijn met de ophanging van het loodsnoer overeenstemt.
6. Markeer punt a2 in het midden van de verticale lijn op dezelfde hoogte als a1 op de wand.
7. De afstand tussen a1 en a2 mag niet groter zijn dan 1 mm.



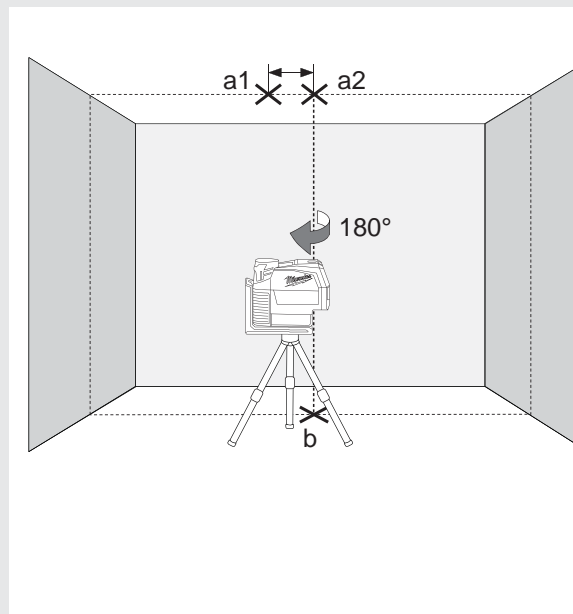
4 LOODNAUWKEURIGHEID CONTROLEREN

Voor deze controle is een ruimte met een plafondhoogte van ca. 5 m vereist.

1. Plaats de kruislaser op een statief.
2. Schakel de zelfnivellerende modus in en druk op de drukknop om over te schakelen naar de mollige functie.
3. Markeer de bovenste loodpunt op het plafond als punt a1 (zie de afbeelding).
4. Markeer het onderste schietpunt op de vloer als punt b.



5. Draai de laser 180° en positioneer hem zodanig dat het middelpunt van het loodpunt op het reeds gemarkeerde punt b valt en wacht totdat het toestel klaar is met de zelfnivellering.
6. Markeer de bovenste loodpunt op het plafond als punt a1 (zie de afbeelding).
7. De afstand tussen de punten a1 en a2 op het plafond geeft aan hoe ver de laserlijn van de ideale loodlijn afwijkt. Bij een meetafstand van 5 m bedraagt de maximaal geoorloofde afwijking: $5 \text{ m} \times (\pm 0,6 \text{ mm/m}) \times 2 = \pm 6 \text{ mm}$.
8. De afstand tussen a1 en a2 mag niet groter zijn dan 6 mm.



INDHOLD

Vigtige sikkerheds- instruktioner.....	85
Vedligeholdelse	86
Tekniske data.....	86
Tilsluttet anvendelse.....	86
Oversigt	87
Udstyr	88
Skift batteri	88
Indikator for batterikapacitet	89
Indikator for lavt batteri	89
Loftmontering	89
Vægbeslag & grøn målplade	90
Arbejde i selvsnivelleringsmodus	91
Arbejde i manuel modus.....	92
Lodfunktion.....	93
Detektor.....	93
Kontrol af nøjagtigheden	94

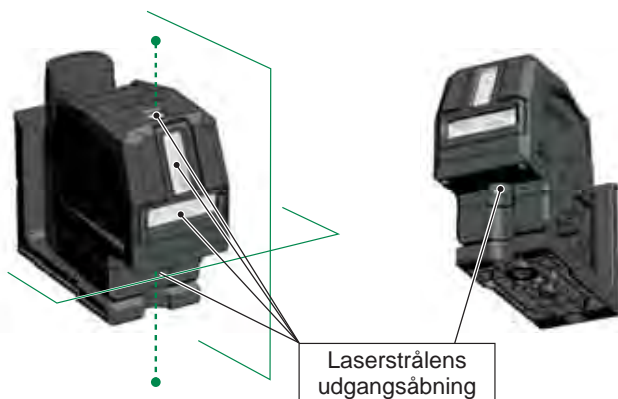
VIGTIGE SIKKERHEDS- INSTRUKTIONER



VIGTIGT! ADVARSEL! FARE!

Brug ikke produktet før du har læst sikkerhedsinstruktionerne og brugervejledningen.

Laserklassificering



ADVARSEL:

Det er et Klasse 2 laserprodukt i overensstemmelse med EN60825-1:2014 .



Advarsel:

Øjnene må ikke udsættes direkte for laserstrålen. Laserstrålen kan føre til alvorlige øjenskader og/eller blindhed.

Se aldrig direkte ind i laserstrålen og ret ikke strålen unødvendigt imod andre personer.

Forsigtig! Ved nogle anvendelser kan det laseremitterende apparat befinde sig bagved dig. Vær i så fald forsigtig, når du vender dig.

Advarsel:

Brug ikke laseren nær børn, og tillad ikke børn at bruge den.

OBS!! En reflekterende overflade kunne reflektere laserstrålen tilbage til brugeren eller andre personer.

Advarsel: Anvendelse af andre styreelementer, indstillinger eller procedurer end angivet her i manualen kan føre til farlig strålebelastning.

Se aldrig direkte ind i laserstrålen og ret ikke strålen unødvendigt imod andre personer.

Forsigtig! Ved nogle anvendelser kan det laseremitterende apparat befinde sig bagved dig. Vær i så fald forsigtig, når du vender dig.

Beskyt laserafstandsmåleren mod støv, fugtighed og høj luftfugtighed. Dette kan ødelægge indvendige komponenter eller påvirke nøjagtigheden.

Se aldrig direkte ind i laserstrålen og ret ikke strålen unødvendigt imod andre personer.

Forsigtig! Ved nogle anvendelser kan det laseremitterende apparat befinde sig bagved dig. Vær i så fald forsigtig, når du vender dig.

Se aldrig direkte ind i laserstrålen og ret ikke strålen unødvendigt imod andre personer.

Forsigtig! Ved nogle anvendelser kan det laseremitterende apparat befinde sig bagved dig. Vær i så fald forsigtig, når du vender dig.

Se aldrig direkte ind i laserstrålen og ret ikke strålen unødvendigt imod andre personer.

Forsigtig! Ved nogle anvendelser kan det laseremitterende apparat befinde sig bagved dig. Vær i så fald forsigtig, når du vender dig.

Se aldrig direkte ind i laserstrålen og ret ikke strålen unødvendigt imod andre personer.

Forsigtig! Ved nogle anvendelser kan det laseremitterende apparat befinde sig bagved dig. Vær i så fald forsigtig, når du vender dig.

Brug ikke aggressive rengøringsmidler eller opløsningsmidler. Rengør kun instrumentet med en ren, blød klud.

Beskyt laseren mod kraftige stød og mod at falde ned. Efter et fald eller stærke mekaniske påvirkninger skal apparatets nøjagtighed kontrolleres inden brug.

Nødvendige reparationer på dette laserapparat skal udføres af autoriserede fagfolk.

Brug ikke produktet i områder med eksplosions-fare eller under barske forhold.

Hvis apparatet ikke skal være i brug i længere tid, skal batterierne tages ud af batterirummet. Således kan man forhindre, at batterierne løber ud, og de dermed forbundne korrosionsskader.



Brugte batterier må ikke smides ud med husholdningsaffaldet. Skån miljøet og tag dem til opsamlingsstederne i overensstemmelse med nationale eller lokale regler. Produktet må ikke smides ud med husholdningsaffaldet. Smid produktet ud i overensstemmelse med de gældende nationale regler i dit land. Følg de nationale og landespecifikke regler.

Henvend dig til de lokale myndigheder eller din forhandler for at få oplysning om bortskaffelsen.



Europæisk konformitetsmærke

VEDLIGEHOJDELSE

Laserens objektiv og kabinet rengøres med en blød, ren klud. Brug aldrig opløsningsmidler. Selvom laseren til en vis grad er støv- og smudsbestandig, må den ikke opbevares på et støvet sted i længere tid, da de indvendigt liggende bevægelige dele ellers kan blive beskadiget. Skulle laseren blive våd, skal den tørres, inden den indsættes i bærekufferten, så der ikke opstår rustskader.

TEKNISKE DATA

Laserklasse	2
Selvnivelleringsområde	± 4°
Selvnivelleringsvarighed	3 s
Batteritype	Li-Ion
Spænding DC	12V ===
Kapslingsklasse (stænk vand og støv)	IP54*
Maks. højde	2000 m
Relativ luftfugtighed maks.	80%
Forureningsgrad i henhold til IEC 61010-1	2**
Impulsvarighed t _p	≤ 80 μs
Funktioner	horisontal linje, vertikale linje, krydslinjer, lodfunktion (2 point)
Frequens	10 kHz
Projektionerr	2 grønne linjer, 2 point grøn
Diodemængde	2
Diodetype	30 mW
Laserlinjeoutputmønster	Enkelt vandret, enkelt lodret + 2 loddepunkter op og ned, kryds linje + 2 loddepunkter (op og ned).
Driftstid	15 timer med udskiftningsbatteri M12 3.0 Ah
Stativets gevind	1/4" / 5/8"
Egnet detektor	Milwaukee LLD50
Laserlinje	
Bredde	< 9,53mm @ 30m
Bølgelængde	510 - 530 nm laserklasse II
Maksimal effekt	≤ 7 mW
Nøjagtighed	+/- 3 mm / 10 m
Åbningsvinkel	vertikale linje > 120°; horisontal linje > 114°
Farve	grøn
Rækkevidde	38 m (med detektor 50 m)

Lodpunkt	
Bølgelængde laserpunkt	510 - 530 nm laserklasse II
Maks. effekt laserpunkt	< 1 mW
Lodnøjagtighed	+/- 3 mm / 10 m
Laserpunktfarve	grøn
Rækkevidde	30 m
Anbefalet driftstemperatur	-10 °C til +40 °C
Opbevaringstemperatur	-20 °C til +50 °C
Anbefalede batterityper	M12 B...
Mål	170 mm x 82 mm x 148 mm
Vægt (inkl. batterier)	1205 g

* Lithium-ion-batteriet og batterirummet er ikke omfattet af IP54.

** Der forekommer kun ikke-ledende urenheder, selvom der dog kan forventes en lejlighedsvis midlertidig ledningsevne forårsaget af kondens.

TILSIGTET ANVENDELSE

Produktet er hovedsagligt beregnet til indendørs brug. Ved udendørs brug skal du sørge for, at forholdene er de samme som ved indendørs brug.

Denne innovative laser er beregnet til et stort professionelt anvendelsesområde, f.eks.:

- Tilretning af fliser, marmorplader, skabe, bordurer, formdele og kanter
- Markering af grundlinjerne til indbygning af døre, vinduer, skinner, trapper, hegn, porte, verandaer og pergolaer.
- Til at fastlægge og kontrollere horisontale og vertikale linjer.
- Nivellering af nedhængte lofter og rørledninger, vinduesopdeling og rørtilretning, nivellering af indramningsvægge og el-installationer

Dette produkt må kun bruges i overensstemmelse med det angivne formål.

OVERSIGT

Lodpunkt

Lodret laserlinievindue

Vindue horisontal laserlinje

Mode-knap

Kort tryk: Vælg mellem laserlinjer:

- vandret
- lodret + lodret funktion
- kryds linjer + lodret funktion

Langt tryk: skift normal tilstand / strømbesparende tilstand

LED-display batterikapacitet

20 ° mikrojustering (+/- 10 ° fra midten)

Lodpunkt

Stativholder 5/8 "

Stativholder 1/4 "



LED display laserlinje

- vandret
- lodret
- + tværgående linje

M12 Batteri pakke

Markering for den vandrette laserstråle

Drejeknap

- OFF Fra / låst
- ON Til / manuel tilstand
- ON on / self leveling mode

Magnetholder



Loftmontering



UDSTYR

Tilbehør - Ikke inkluderet i standardudstyret, fås som tilbehør.

Terminal LM360



Detektor LLD50

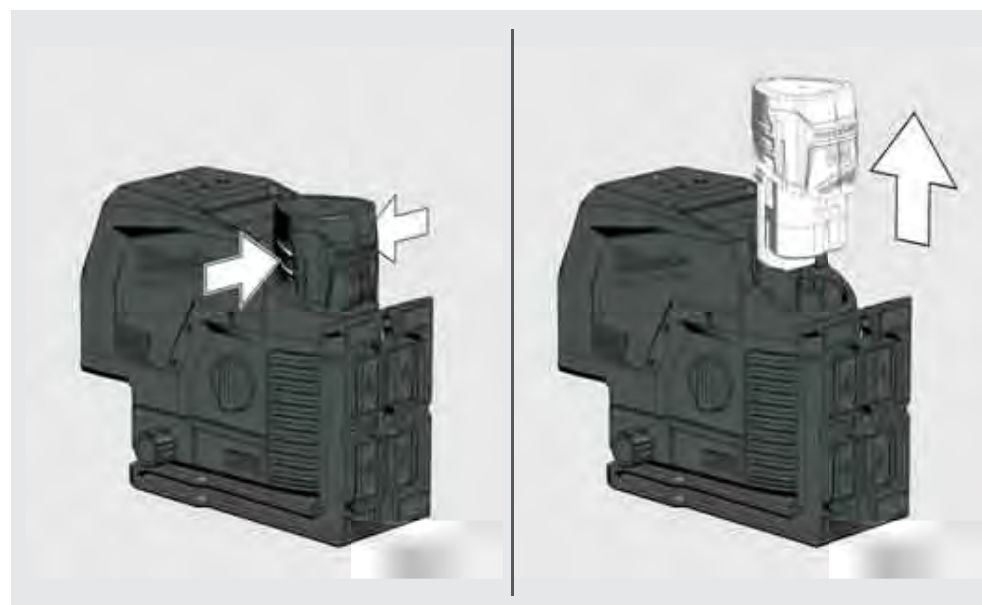
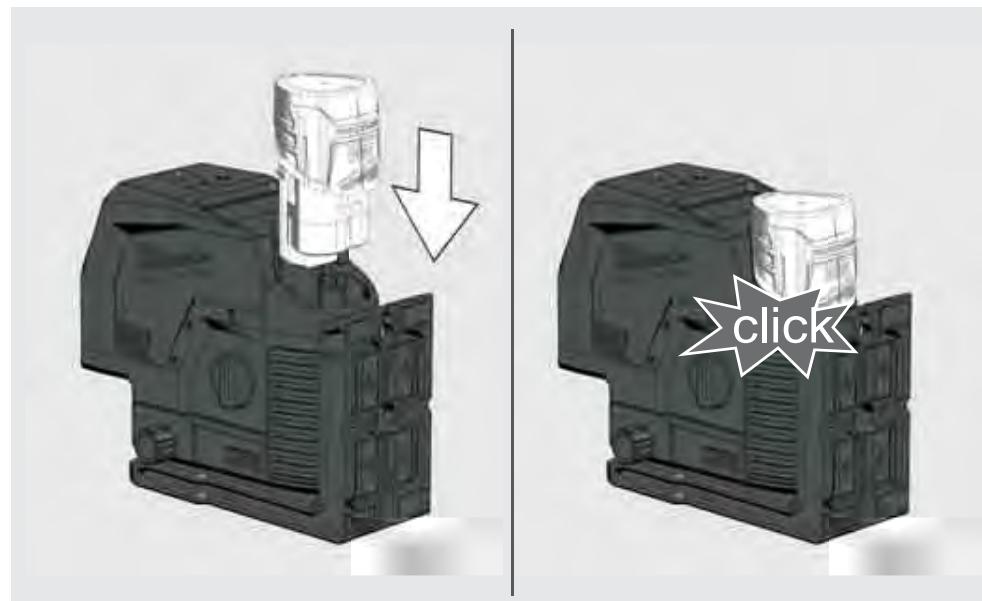


Stativ TRP180



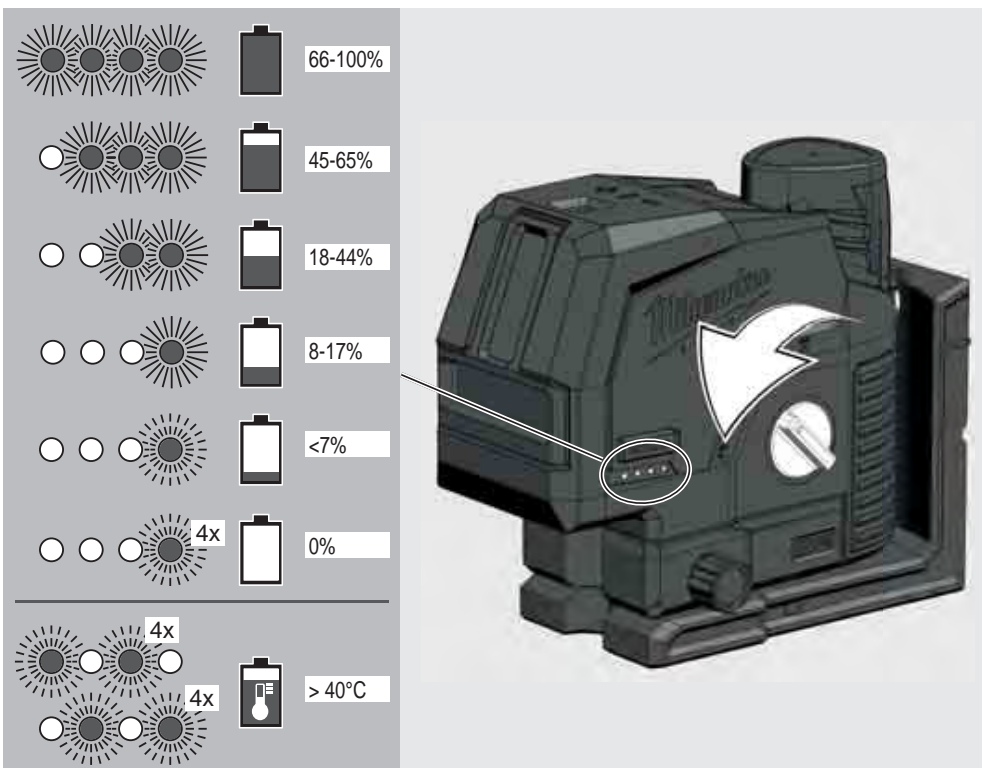
SKIFT BATTERI

Brug kun et M12 genopladeligt Milwaukee-batteri.



INDIKATOR FOR BATTERIKAPACITET

Efter tænding eller slukning af laseren viser brændstofmåleren batteriets levetid.



INDIKATOR FOR LAVT BATTERI

Når spændingen er lav, skifter laseren til energibesparende tilstand.

Laseren blinker i selvudjævrende tilstand

4 sek. 1 sek.

Laseren blinker i manuel tilstand

8 sek. 1 sek.

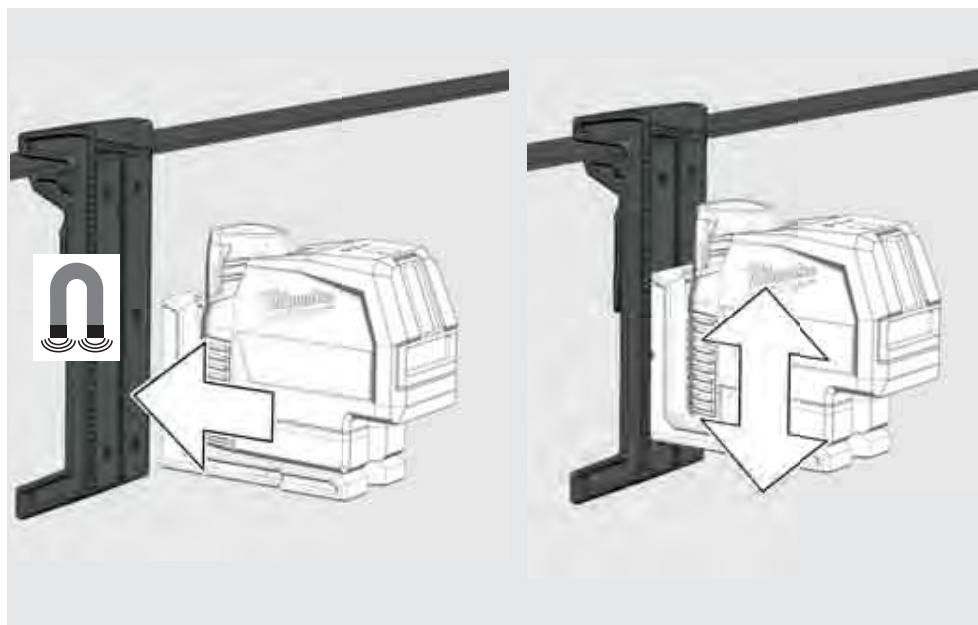
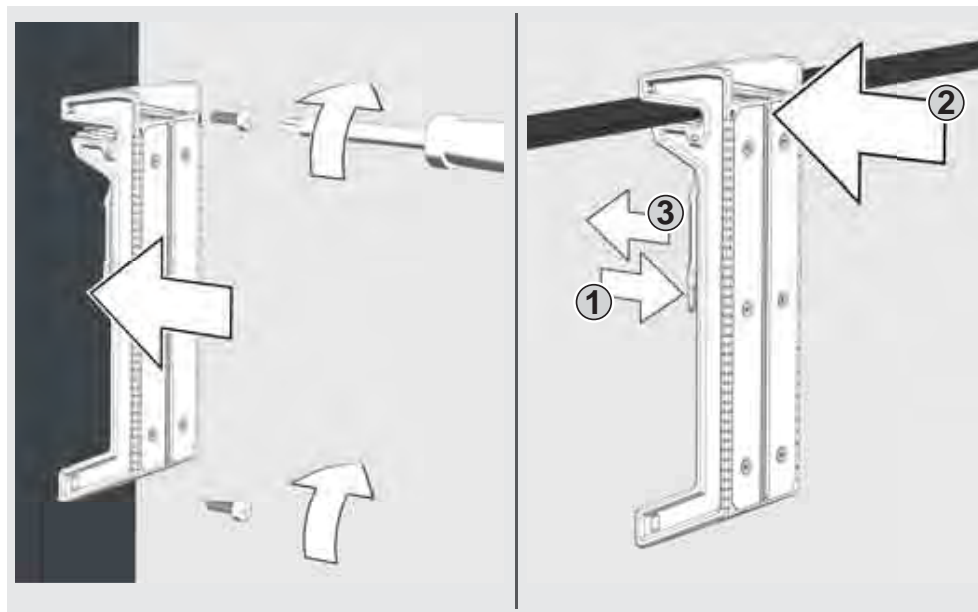
Fra nu af er det stadig muligt at fortsætte arbejdet.

Når spændingen er lav, blinker laser og LED 4 gange, og den lukkes automatisk.

LOFTMONTERING

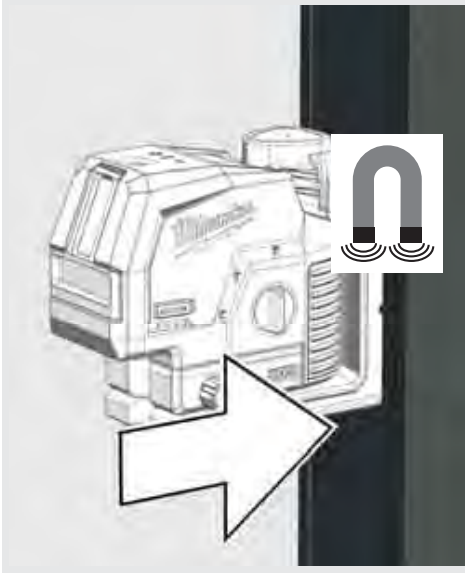
Fastgør spændeklemmen med skruber til en søjle.

Brug loftsholderen til at klemme laser til loftskanaler, stativer ...



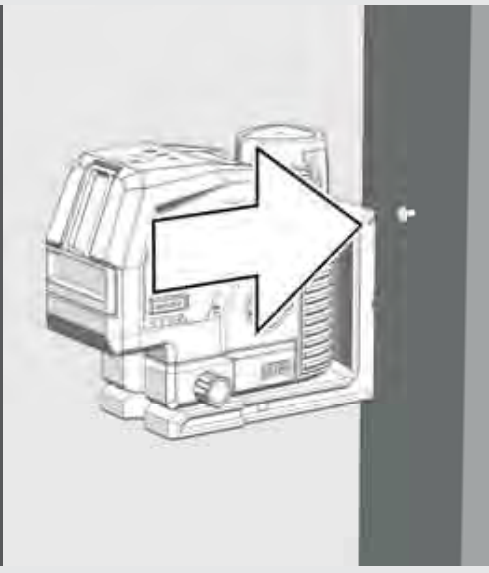
VÆGBESLAG & GRØN MÅLPLADE

Laseren kan fastgøres på vægge, metalstrukturer o.lign. med den magnetiske vægholder.



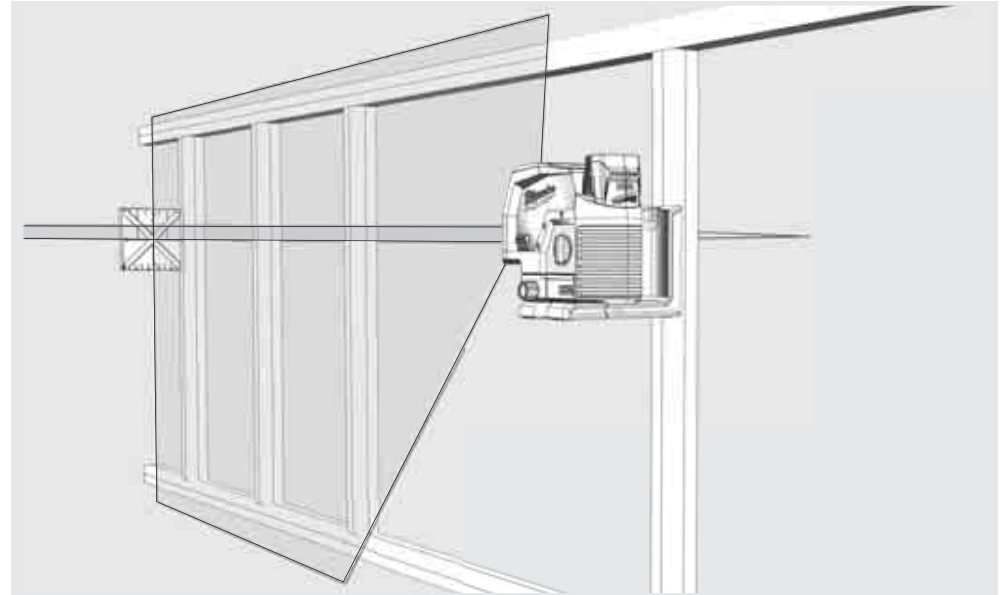
Drej laseren 360 °.

Eller fix med en skrue eller søm på en søjle.

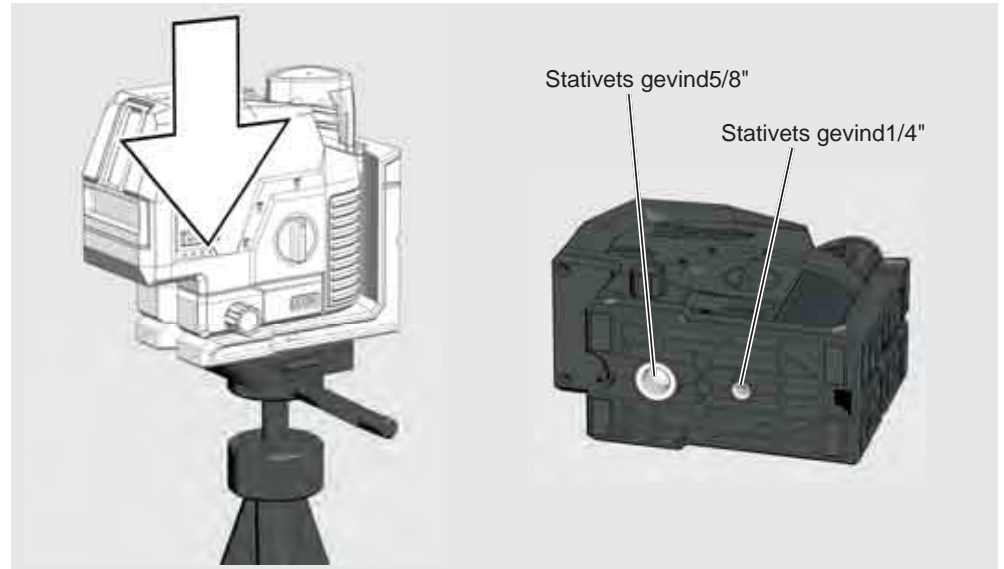


Brug justeringsknappen til 20 ° drejelig mikrojustering

Brug den grønne målplade til at forbedre synligheden af laserstrålen under ugunstige forhold og i større afstand.



Brug stativholderen til at fastgøre laseren på et stativ



ARBEJDE I SELVNIPELLERINGSMODUS

I selvniPELLERINGSmodus tilretter laseren sig af sig selv inden for et område på $\pm 4^\circ$. Hertil projiceres en horisontal linje, en vertikal linje eller begge linjer samtidigt.

1

Montér laseren på en solid, plan og vibrationsfri undergrund eller på et stativ.



2

Drej drejekontakten til: 

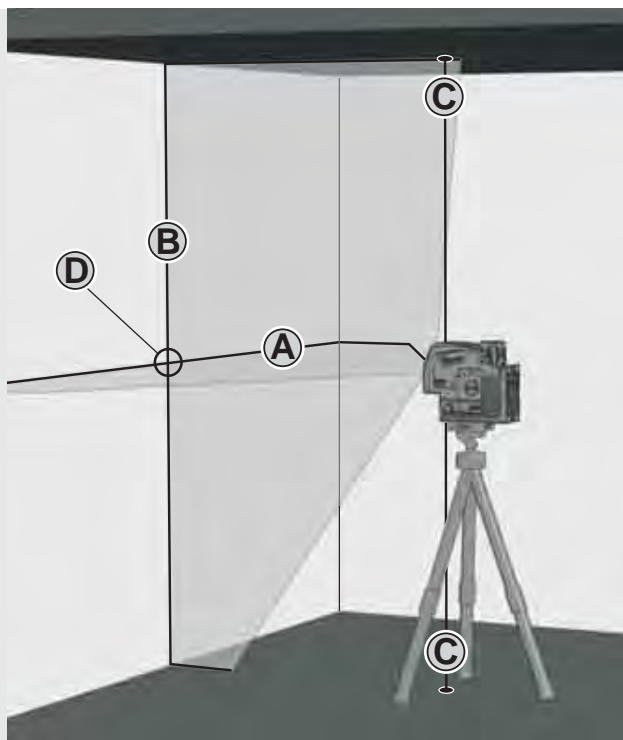


3

Laseren genererer 2 laserlinjer.

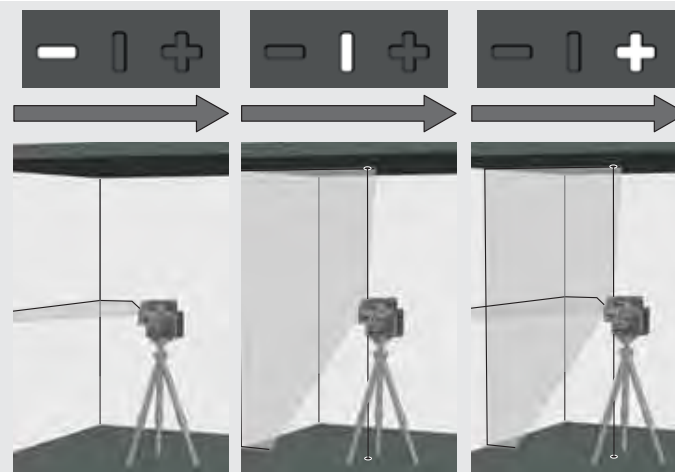
- (A) Horisontal linje fremad
- (B) Vertikal linje fremad
- (C) Laserpunkt

(D) Hvis alle linjer er aktiveret, genererer laseren krydslinjer fremad.



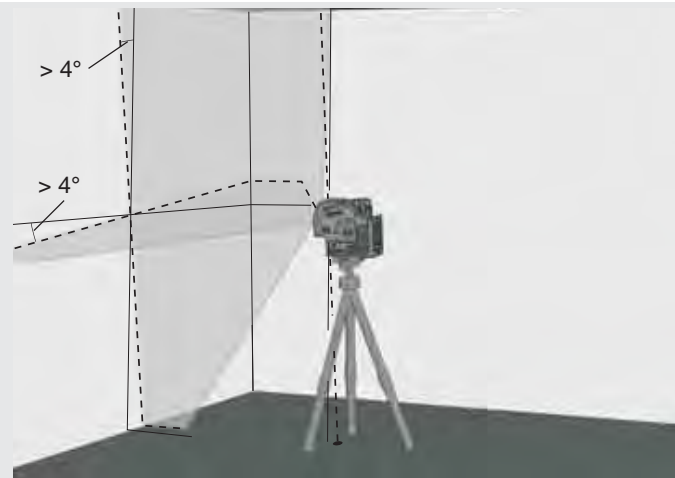
4

Vælg de ønskede linjer med tasten MODE.




5

Hvis laseren med aktiveret selvniPELLERING i begyndelsen ikke er tilrettet på $\pm 4^\circ$, blinker laserlinjerne. - - - - . I så fald skal laseren positioneres igen.



6

Før du flytter laseren, skal du dreje drejekontakten til  . Derved låses pendulet, og laseren er beskyttet.



ARBEJDE I MANUEL MODUS


I manuel modus er selvsnivelleringsfunktionen deaktiveret, og laseren kan indstilles til en vilkårlig hældning af laserlinjerne.

1

Montér laseren på en solid, plan og vibrationsfri undergrund eller på stativet.



2

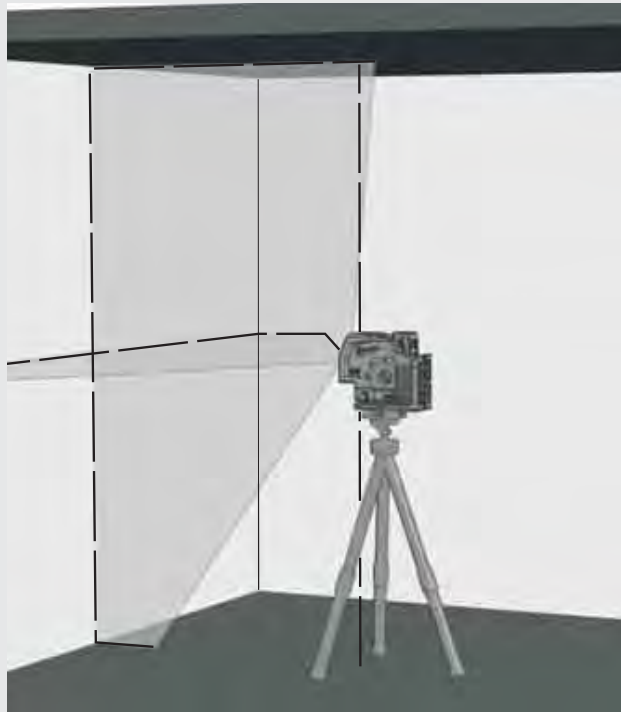
Drej drejekontakten til: **ON** 



3

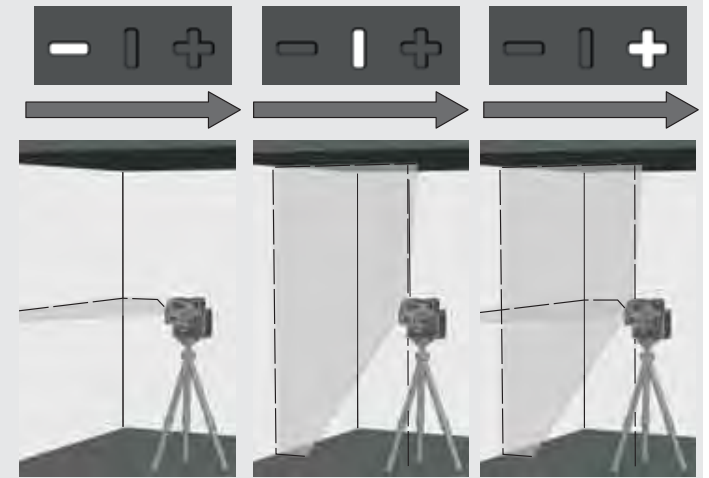
Som i selvsnivelleringsmodus genererer laseren 2 laserlinjer, som dog afbrydes hvert 8. sekund.

8 sek. 8 sek. 8 sek.



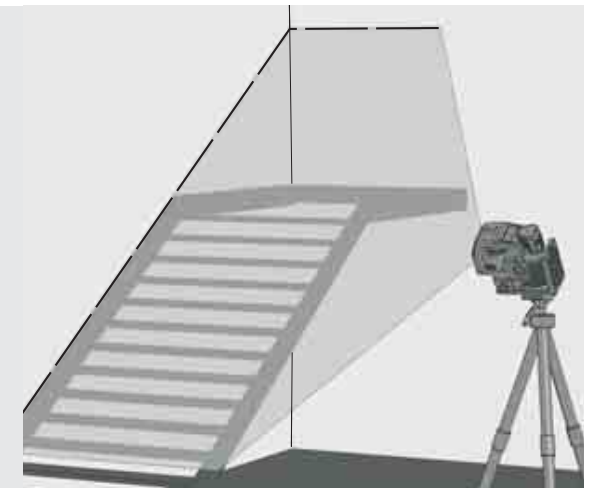
4

Vælg de ønskede linjer med tasten MODE.




5

Indstil laseren på ønskede højde og hældning ved hjælp af stativet.



6

For at forlade manuel tilstand,

Drej drejekontakten til: **ON** 
eller

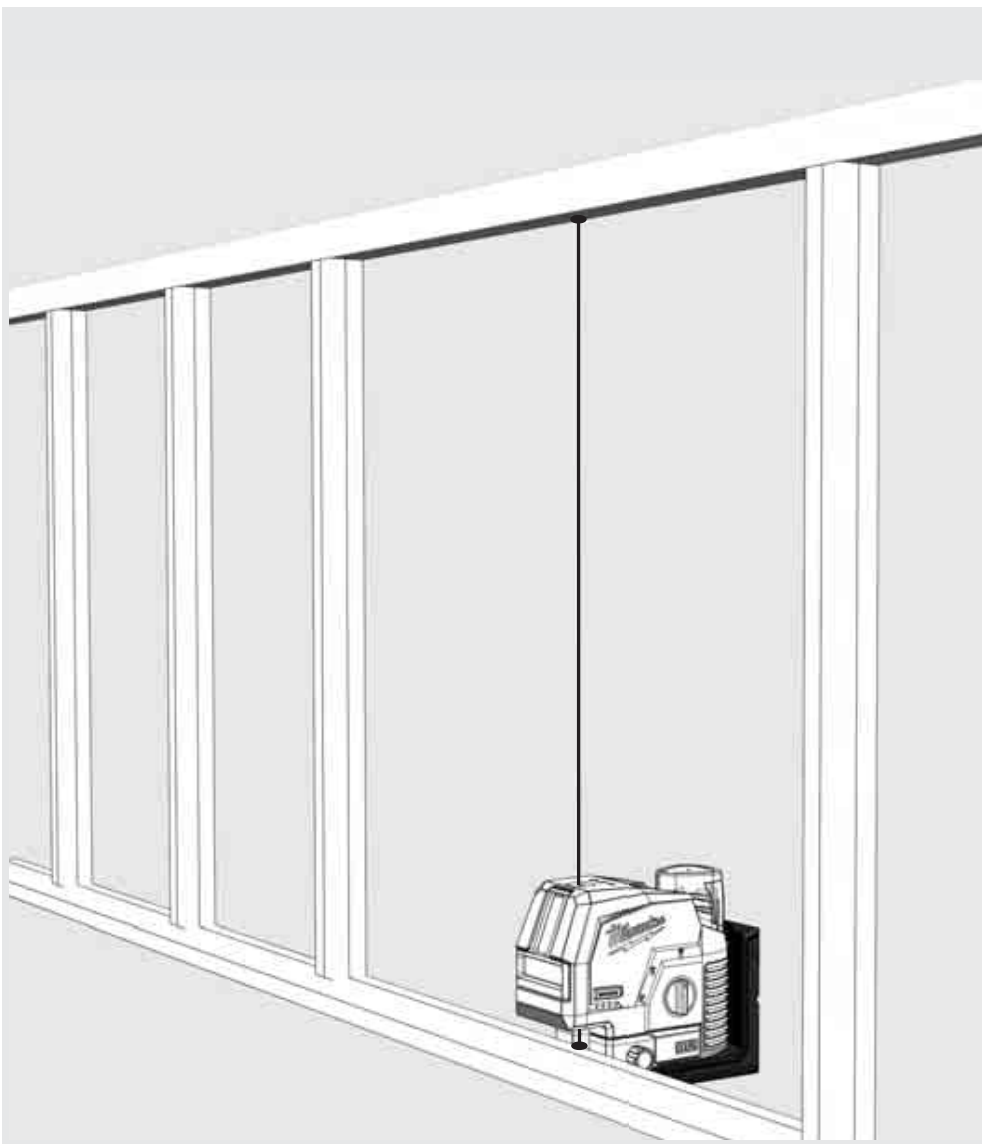
drej drejekontakten til: **OFF** 



LODFUNKTION

Med lodfunktionen kan et punkt på gulvet projiceres lodret op på loftet.

Lodfunktionen tjener for eksempel til at overføre et referencepunkt for belysnings- og ventilationsinstallation eller til at overføre højder.

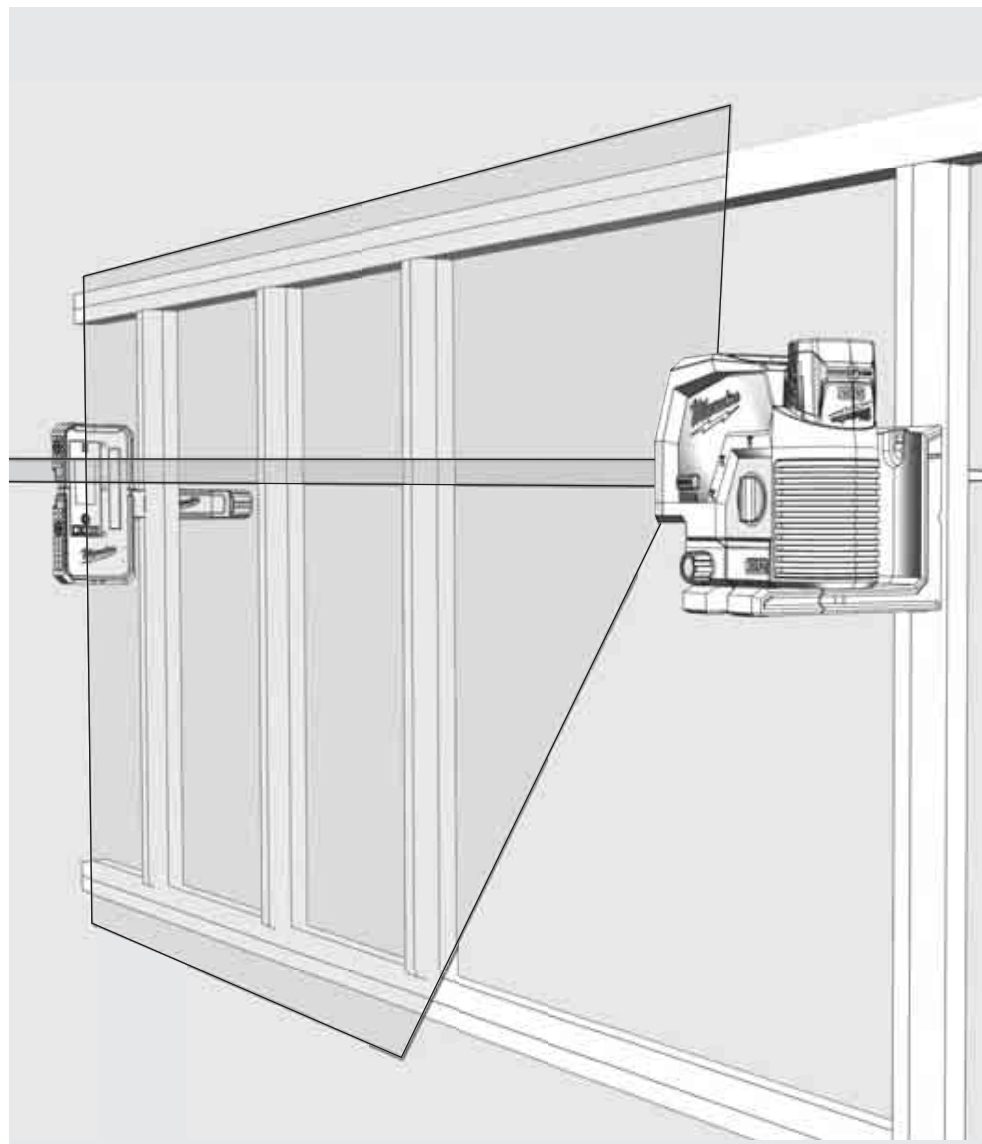


DETEKTOR

Brug Milwaukee-detektoren til udendørs arbejde ved direkte solindstråling eller lyse lysforhold samt til indendørs brug med en rækkevidde op til 50 m.

Detektoren er ikke inkluderet i leveringsomfanget, den skal købes separat.

Udførlige oplysninger om brugen af detektoren findes i betjeningsvejledningen til detektoren.



Laseren kalibreres fuldstændigt fra fabrikkens side. Milwaukee anbefaler regelmæssigt at kontrollere laserens nøjagtighed, især efter et fald eller efter fejlbetjening.

Hvis den maksimale afvigelse bliver overskredet ved en kontrol af nøjagtigheden, bedes du kontakte et af vores Milwaukee-servicecentre (se listen med garantiebetingelser og servicecenteradresser).

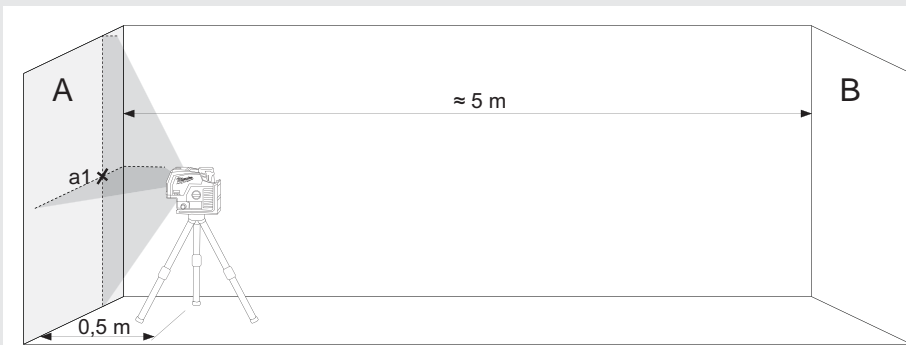
1. Kontrol af den horisontale linjes nøjagtighed.
2. Kontrol af den horisontale linjes nivelleringsnøjagtighed.
3. Kontrol af den vertikale linjes nivelleringsnøjagtighed.
4. Kontrol af lodnøjagtigheden.

Inden kontrollen af nøjagtigheden for laseren, som er monteret på stativet, kontrolleres stativets nivellering.

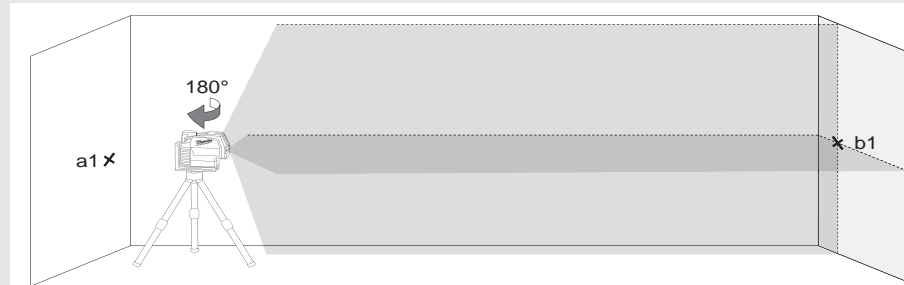


1 KONTROL AF DEN HORIZONTAL LINJES NØJAGTIGHED (AFVIGELSE OPAD OG NEDAD)

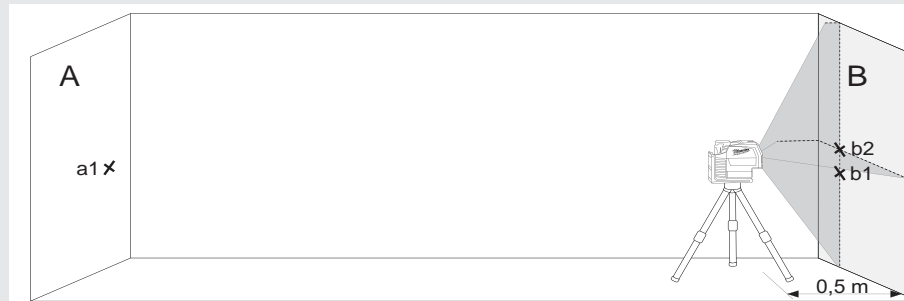
1. Laseren opstilles på et stativ eller en plan undergrund mellem to vægge A og B med ca. 5 m afstand.
2. Laseren placeres ca. 0,5 m fra væg A.
3. Tænd for selvnivelleringsmodus og tryk på tasten for at projicere den horisontale og den vertikale linje på væg A.
4. Markér de to linjers skæringspunkt som punkt a1 på væg A.



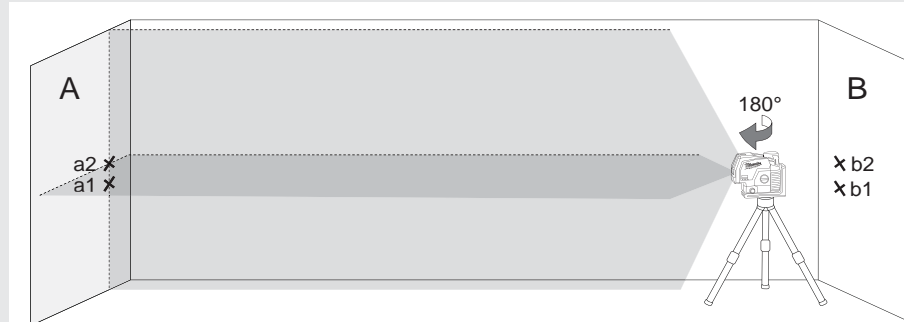
5. Drej laseren 180° i retning af væg B og markér de to linjers skæringspunkt som b1 på væg B.



6. Opstil laseren ca. 0,5 m fra væg B.
7. Markér de to linjers skæringspunkt som b1 på væg B.



8. Drej laseren 180° i retning af væg A og markér de to linjers skæringspunkt som a2 på væg A.



9. Mål afstandene:

$$\Delta a = |a2 - a1|$$

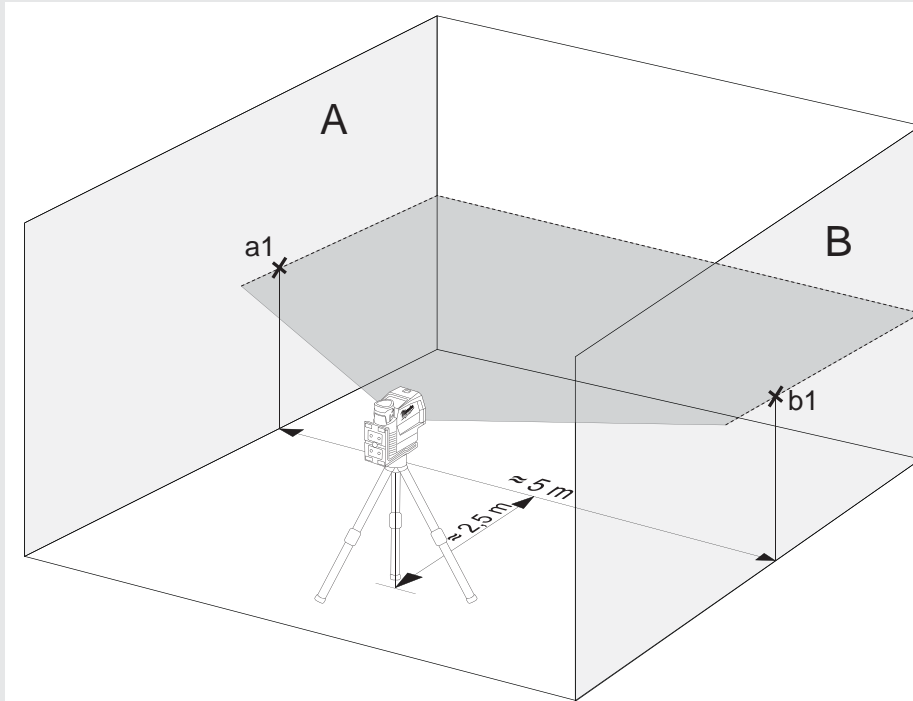
$$\Delta b = |b1 - b2|$$

10. Forskellen $|\Delta a - \Delta b|$ må ikke være større end 2 mm.

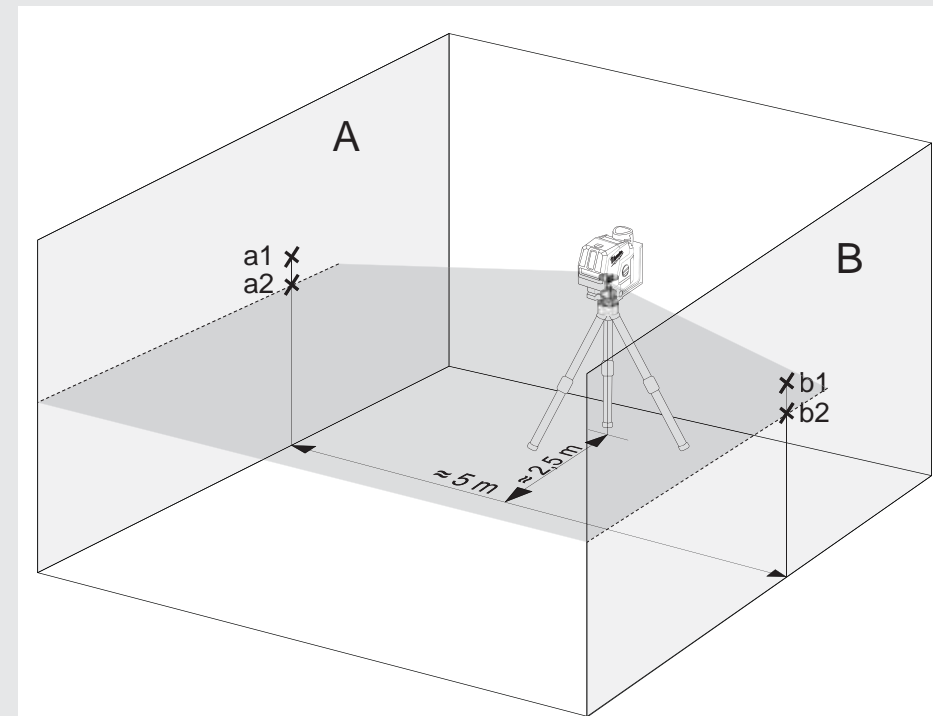
2 KONTROL AF DEN HORIZONTAL LINJES NIVELLERINGSNØJAGTIGHED (AFVIGELSE FRA DEN ENE SIDE TIL DEN ANDEN)

Til denne kontrol kræves et frit areal på ca. 5 × 5 m.

1. Laseren opstilles på et stativ eller en solid undergrund mellem to vægge A og B med ca. 5 m afstand.
2. Opstil laseren ca. 2,5 m fra rummets midte.
3. Tænd for selvsnivelleringsmodus og tryk på tasten for at projicere den horisontale linje på væggene A og B.
4. Laserens midtpunkt på væg A markeres med a1 og på væg med b1.



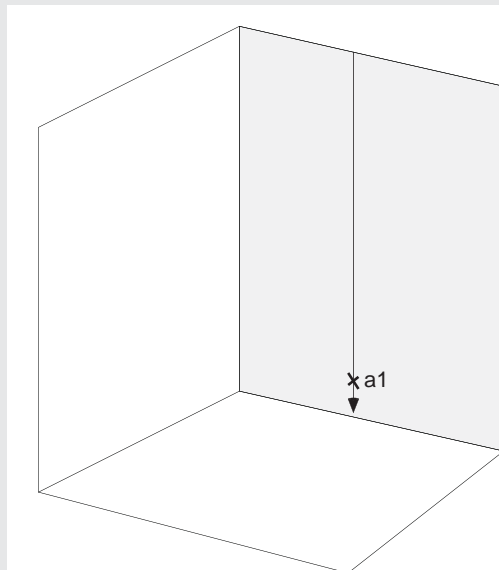
5. Laseren flyttes ca. 5 m og drejes 180°, og den horisontale linje på projiceres igen på væggene A og B.
6. Laserens midtpunkt på væg A markeres med a2 og på væg med b2.



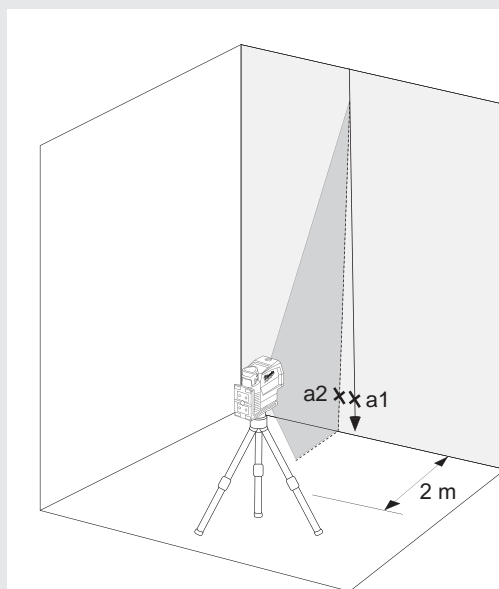
7. Mål afstandene:
 $\Delta a = |a2 - a1|$
 $\Delta b = |b1 - b2|$
8. Forskellen $|\Delta a - \Delta b|$ må ikke være større end 2 mm.

3 KONTROL AF DEN VERTIKALE LINJES NIVELLERINGSNØJAGTIGHED

1. Hæng en ca. 4 m lang lodsnores op på en væg.
2. Når blylodet er holdt op med at pendulere, markeres punkt a1 over blykeglen på væggen.



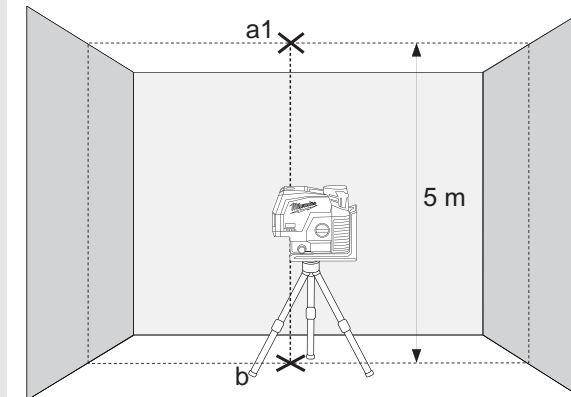
3. Opstil laseren på et stativ eller en plan undergrund med ca. 2 m afstand til væggen.
4. Tænd for selvsnivelleringsmodus og tryk på tasten for at projicere den vertikale linje på lodsnoeren.
5. Drej laseren, så den vertikale linje stemmer overens med lodsnores ophængning.
6. Markér punkt a2 i midten af den vertikale linje på samme højde som a1 på væggen.
7. Afstanden mellem a1 og a2 må ikke være større end 1 mm.



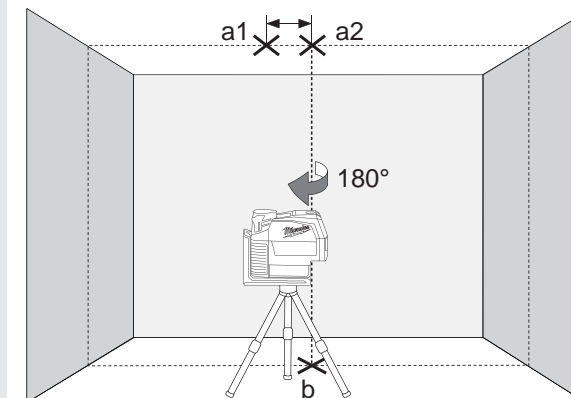
4 KONTROL AF LODNØJAGTIGHEDEN

Til denne kontrol kræves et rum med en loftshøjde på ca. 5 m.

1. Sæt cross laser på et stativ.
2. Tænd for selvudjævningstilstanden, og tryk på trykknappen for at skifte til den fyldige funktion.
3. Marker den øverste lodspids på loftet som punkt a1 (se illustrationen).
4. Marker den nederste loddel på gulvet som punkt b.



5. Drej laseren 180° og placér den således, at lodpunktets midtpunkt rammer det allerede markerede punkt b, og vent, indtil apparatet er blevet nivelleret.
6. Marker den øverste lodspids på loftet som punkt a1 (se illustrationen).
7. Afstanden mellem punkterne a1 og a2 på loftet viser, hvor meget laserlinjen afviger fra den ideelle lodrette linje. Ved en målestrækning på 5 m er den maksimalt tilladte afvigelse:
 $5 \text{ m} \times (\pm 0,6 \text{ mm/m}) \times 2 = \pm 6 \text{ mm}$.
8. Afstanden mellem a1 og a2 må ikke være større end 6 mm.



INNHold

Viktige sikkerhetsinstruksjoner	97
Vedlikehold	98
Tekniske data	98
Tiltenkt bruk	98
Oversikt	99
Utstyr	100
Bytt batteri	100
Batterikapasitetsindikator	101
Indikator for lite batteri	101
Takmontering	101
Veggfeste og grønn målplate	102
Arbeider i selvnivelleringsmodus	103
Arbeid i manuell modus	104
Loddfunksjon	105
Detector	105
Kontroll av nøyaktigheten	106

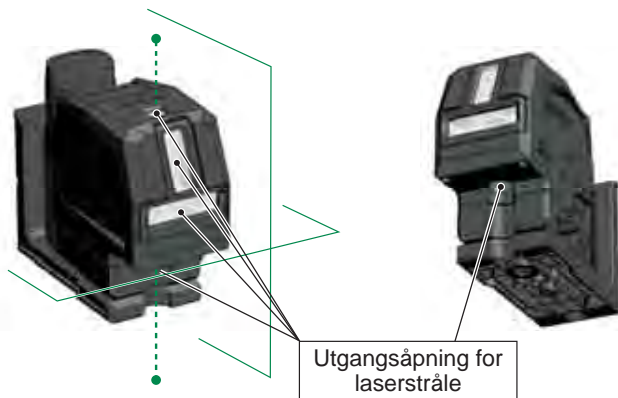
VIKTIGE SIKKERHETSINSTRUKSER



OBS! ADVARSEL! FARE!

Ikke bruk produktet før du har studert sikkerhetsinstruksene og brukerhåndboken.

Laserklassifisering



ADVARSEL:

Dette er et Class 2 laserprodukt i henhold til EN60825-1:2014 .



Advarsel:

Ikke utsett øynene direkte for laserstrålen. Laserstrålen kan forårsake alvorlige øyenskader og/eller blindhet.

Ikke se direkte inn i laserstrålen, og ikke rett strålen unødvendig på andre personer.

Forsiktig! Ved noen bruksmåter kan apparatet som stråler ut laserstråler befinne seg bak deg. I dette tilfellet må du snu deg forsiktig.

Advarsel:

Laseren må ikke brukes i nærheten av barn, og de må aldri få lov til å bruke den.

OBS! En reflekterende overflate kan sende laserstrålen tilbake til bruker eller reflektere andre personen.

Advarsel: Bruk av styreelement, innstillinger eller gjennomføring av andre fremgangsmåter enn de som er fastlagt i håndboken kan føre til farlig strålebelastning.

Dersom laseren fraktes fra svært kalde til varme omgivelser (eller omvendt), må den oppnå omgivelsestemperaturen før den tas i bruk.

Laseren skal ikke oppbevares utendørs, og den må beskyttes mot slag, varige vibrasjoner og ekstreme temperaturer.

Lasermåleapparatet skal beskyttes mot støv, væte og høy luftfuktighet. Dette kan skade de indre delene og ha innflytelse på nøyaktigheten.

Dersom laserstrålen treffer øynene, må du lukke øynene og dreie hodet ut av strålen øyeblikkelig.

Pass på at du posisjonerer laserstrålen slik at hverken du selv eller andre personer blir blendet av den.

Ikke se inn i laserstrålen med optiske forstørrelsesinstrumenter som kikkerter eller teleskoper. Hvis dette ikke overholdes, øker faren for alvorlige øyenskader.

Vær klar over at lasersikkerhetsbriller brukes for å se laserlinjene bedre, men de beskytter ikke mot laserstrålingen.

Varselskilt på laserinstrumentet må ikke fjernes eller gjøres uleselige.

Laseren må ikke plukkes fra hverandre. Laserstrålingen kan forårsake alvorlige øyenskader.

Før transporten av laseren må du sikre at pendellåsen har smekket i lås.

Merk: Dersom pendellåsen ikke har smekket i lås, kan det oppstå skader innvendig i instrumentet under transporten.


Ikke bruk aggressive rensmiddel eller løsemiddel. Skal rengjøres bare med en ren myk klut.


Beskytt laseren mot sterke støt og fall. Dersom instrumentet faller ned eller har vært utsatt for sterke mekaniske innvirkninger, må dets nøyaktighet kontrolleres før bruk.


Nødvendige reparasjoner på dette laser-apparatet skal kun gjøres av autorisert fagpersonale.

Ikke bruk instrumentet i eksplosjonsfarlige områder eller i aggressive miljøer.

Dersom instrumentet ikke skal brukes over lengre tid, må batteriene tas ut av batterirommet. På denne måten forhindres det at batteriene lekker, noe som igjen kan føre til korrosjonsskader.

 Brukte batterier må ikke kastes i husholdningsavfallet. Vern om miljøet og send dem til oppsamlingsstasjoner som er beregnet til dette i henhold til nasjonale eller lokale forskrifter.

 Produktet må ikke kastes i husholdningsavfallet. Utstyret må kasseres på forsvarlig måte i samsvar med gjeldende nasjonale forskrifter. Følg nasjonale og landsspesifikke bestemmelser.

 Europeisk samsvarsmerke

VEDLIKEHOLD

Rengjør objektivet og huset til laseren med en myk, ren klut. Ikke bruk løsemidler.

Selv om laseren til en viss grad er resistent mot støv og smuss, bør den ikke oppbevares på et støvete sted over lengre tid, da dett kan føre til at innvendige bevegelige deler kan bli skadet.

Dersom laseren skulle bli våt, må den tørkes før den settes inn i bærekofferten, slik at det ikke oppstår rustskader.

TEKNISKE DATA

Laserklasse	2
Selvnivelleringsområde	± 4°
Selvnivelleringsvarighet	3 s
Batteritype	Li-Ion
Spenning DC	12V ---
Beskyttelsesklasse (vannsprut og støv)	IP54*
Maks. høydeposisjon	2000 m
Relativ luftfuktighet maks.	80%
Forurensningsgrad ifølge IEC 61010-1	2**
Pulsvarighet t_p	≤ 80 μ s
Funksjoner	horisontal linje, vertikal linje, krysslinjer, loddfunksjon (2 poeng)
Frekvens	10 kHz
Projeksjoner	2 grønne linjer, 2 poeng grønt
Diodemengde	2
Diodetype	30 mW
Laserlinjenes utgangskonfigurasjon	Enkelt horisontalt, enkelt vertikalt + 2 loddepunkter opp og ned, krysslinje + 2 loddprikker (opp og ned).
Driftstid	15 timer med vekselbatteri M12 3.0 Ah
Stativjenger	1/4" / 5/8"
Egnet detektor	Milwaukee LLD50
Laserlinje	
Bredde	< 9,53mm @ 30m
Bølgelengde	510 - 530 nm laserklasse II
Maksimal ytelse	≤ 7 mW
Nøyaktighet	+/- 3 mm / 10 m
Åpningsvinkel	vertikal linje > 120°; horisontal linje > 114°
Farge	grønn
Rekkevidde	38 m (med detektor 50 m)

Loddpunkt		
Bølgelengde laserpunkt	510 - 530 nm laserklasse II	
Maks. effekt laserpunkt	< 1 mW	
Loddnøyaktighet	+/- 3 mm / 10 m	
Laserpunktfarge	grønn	
Rekkevidde	30 m	
Anbefalt driftstemperatur	-10 °C til +40 °C	
Oppbevaringstemperatur	-20 °C til +50 °C	
Anbefalte batterityper	M12 B...	
Mål	170 mm x 82 mm x 148 mm	
Vekt (inkl. batterier)	1205 g	

* Litium-ion batteripakken og batterirommet er utelukket fra IP54.

** Det oppstår bare en ikke ledende forurensning, imidlertid forventes det av og til en forbigående ledeevne som forårsakes av kondensering.

TILTENKT BRUK

Produktet er fortrinnsvis bestemt til innendørs bruk. Ved utendørs bruk må det passes på at rammebetingelsene samsvarer med dem som hersker i innendørs rom.

Denne innovative laseren er utlagt for et stort profesjonelt bruksområde, som eksempelvis:

- Posisjonering og tilpasning av fliser, marmorplater, skap, kantinger, formdelere og besetninger
- Markering av grunnlinjen til innsetting av dører, vinduer, skinner, trapper, gjerder, porter, verandaer og pergolaer.
- For å bestemme og kontrollere horisontale og vertikale linjer.
- Nivellering av senkede tak og rørledninger, vindusinnndeling og posisjonering av rør, nivellering av yttermurer for elektroinstallasjoner

Dette produktet må bare brukes til tiltenkt formål, slik det er angitt.

Loddpunkt

Vertikalt laserlinjevindu

Vindu horisontal laserlinje

Modusknapp

Kort trykk: Velg mellom laserlinjer:

- horisontal
- vertikal + loddfunksjon
- krysslinjer + loddfunksjon

Langt trykk: bytt normal modus / strømsparingsmodus

LED-display batterikapasitet

20 ° mikrojustering (+/- 10 ° fra midten)

Loddpunkt

Stativfeste 5/8 "

Stativfeste 1/4 "

LED-display laserlinje

- horisontalt
- ⊥ vertikal
- ⊕ krysslinje

M12 Batteri pakke

Markering for den horisontale laserstrålen

Dreieknapp

- OFF Av / låst
- ON På / manuell modus
- ON på / selvutjevningsmodus

Magnetisk holder

Takmontering



UTSTYR

Tilbehør - Ikke inkludert i standardutstyret, tilgjengelig som tilbehør.

Terminal LM360



Detektor LLD50

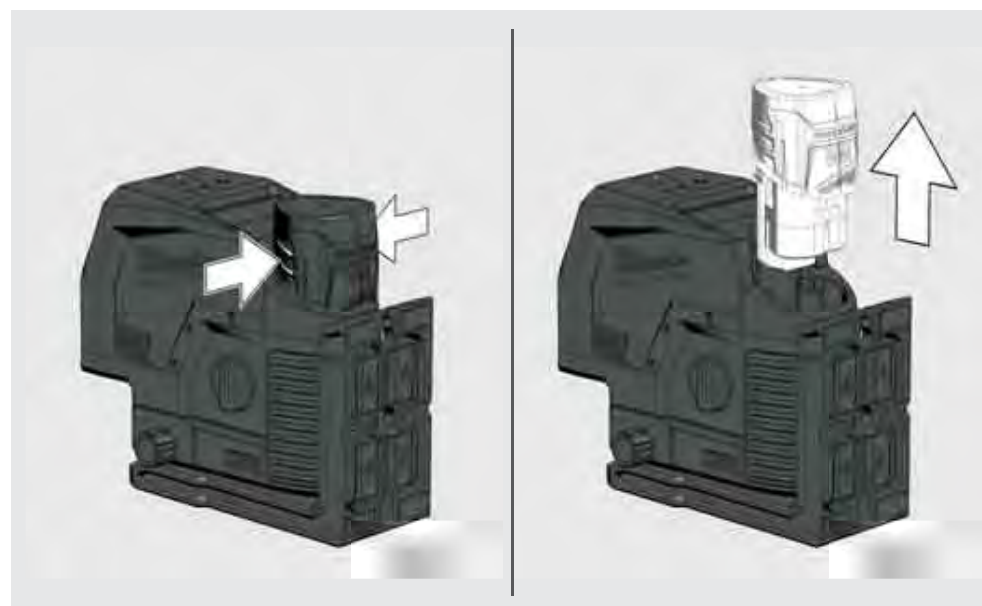
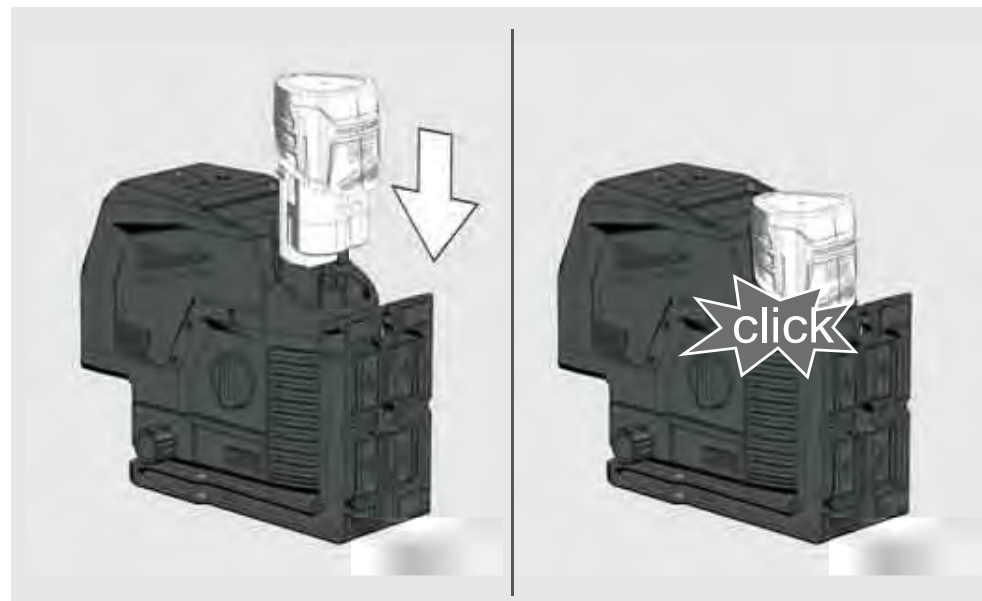


Stativ TRP180



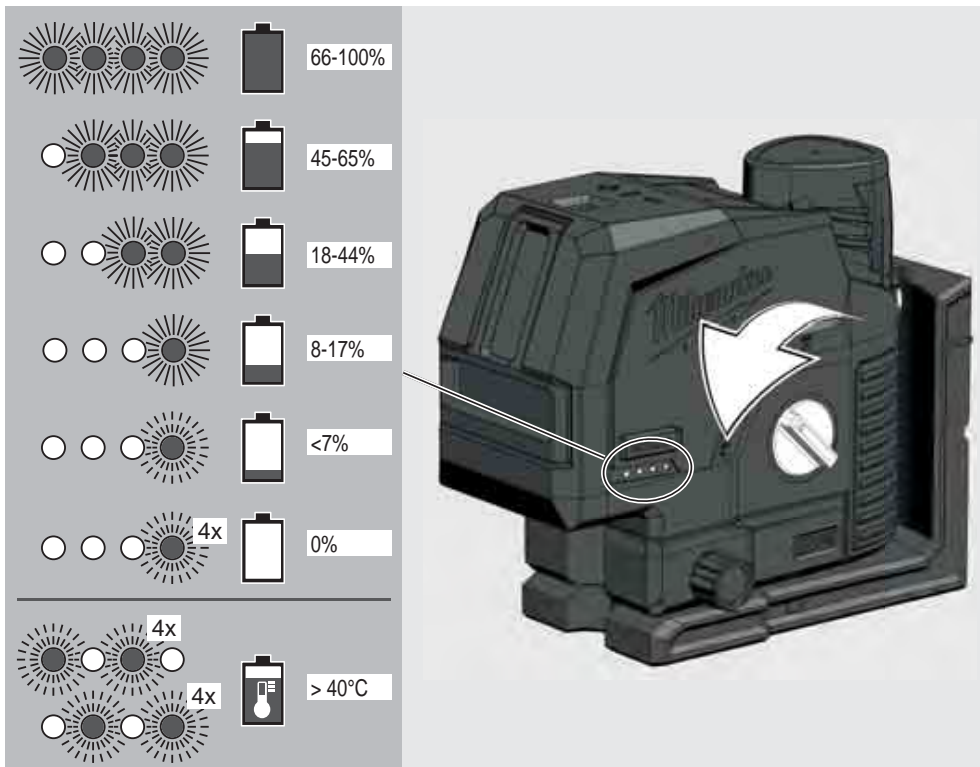
BYTT BATTERI

Bruk bare et M12-oppladbart Milwaukee-batteri.



BATTERIKAPASITETSINDIKATOR

Etter at laseren er slått på eller av, vil drivstoffmåleren vise batteriets levetid.



INDIKATOR FOR LITE BATTERI

Når spenningen er lav, bytter laseren til energisparemodus.

Laseren blinker i selvnivellerende modus

4 sek. 1 sek.

Laseren blinker i manuell modus

8 sek. 1 sek.

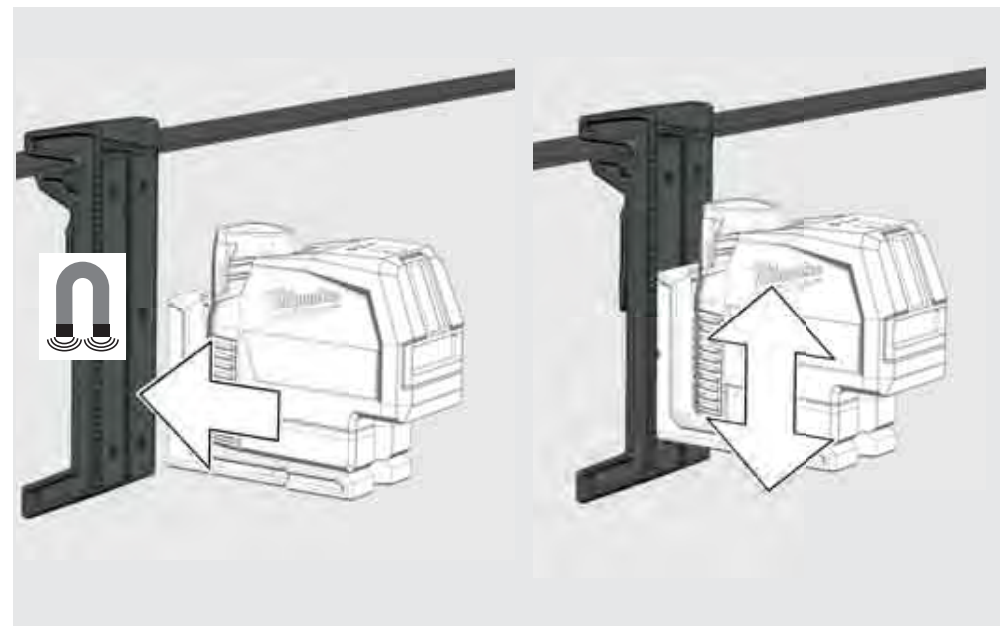
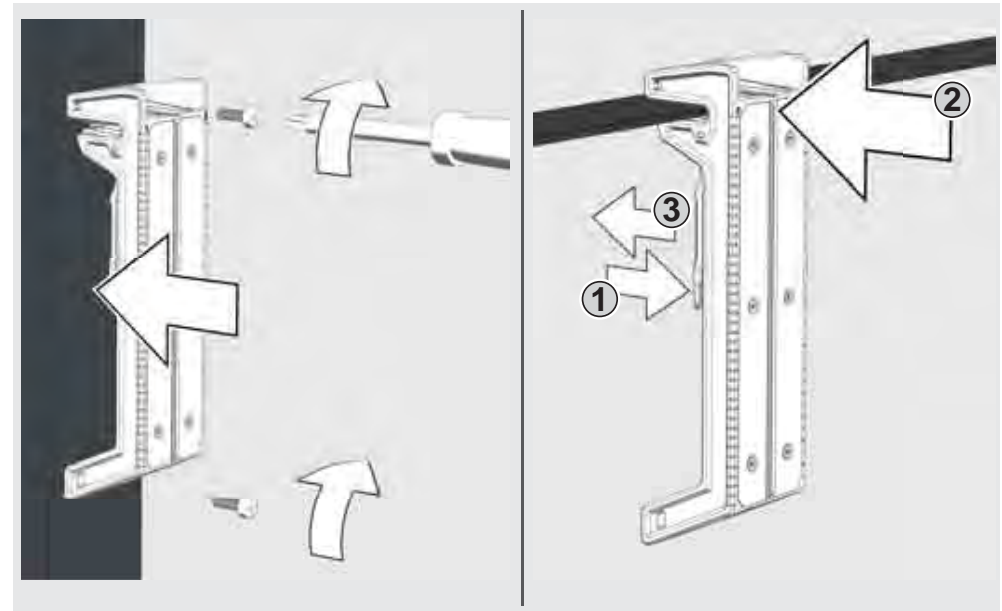
Fra nå av er det fortsatt mulig å fortsette arbeidet.

Når spenningen er lav, vil laser og LED blinke 4 ganger og den slås automatisk av.

TAKMONTERING

Fest sporklippet med skruer til en søyle.

Bruk takfeste for å klemme laseren til takkanaler, stativer ...

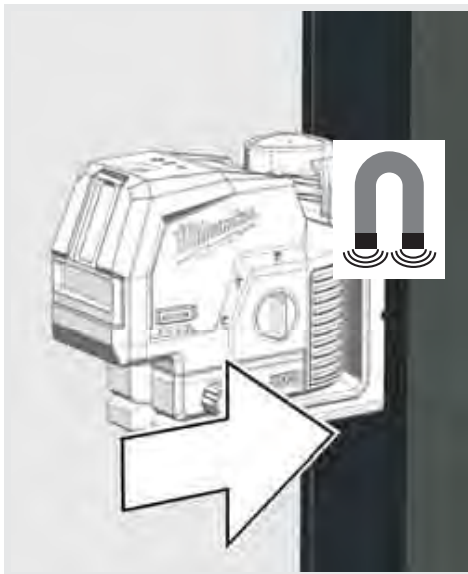


VEGGFESTE OG GRØNN MÅLPLATE

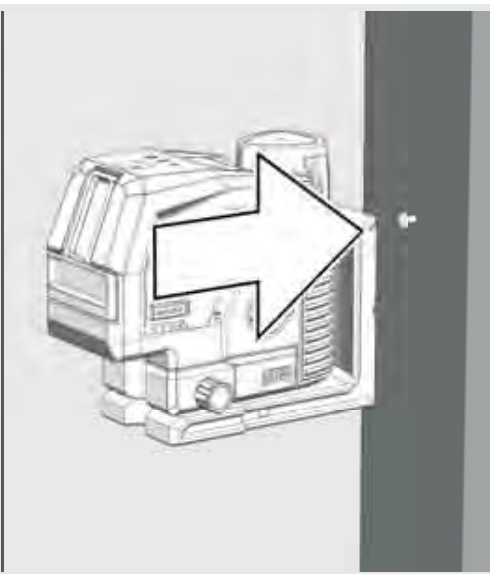
Med den magnetiske veggholderen kan man feste laseren til vegger, metallstrukturer o.l.

Eller fest med en skrue eller spiker på en søyle.

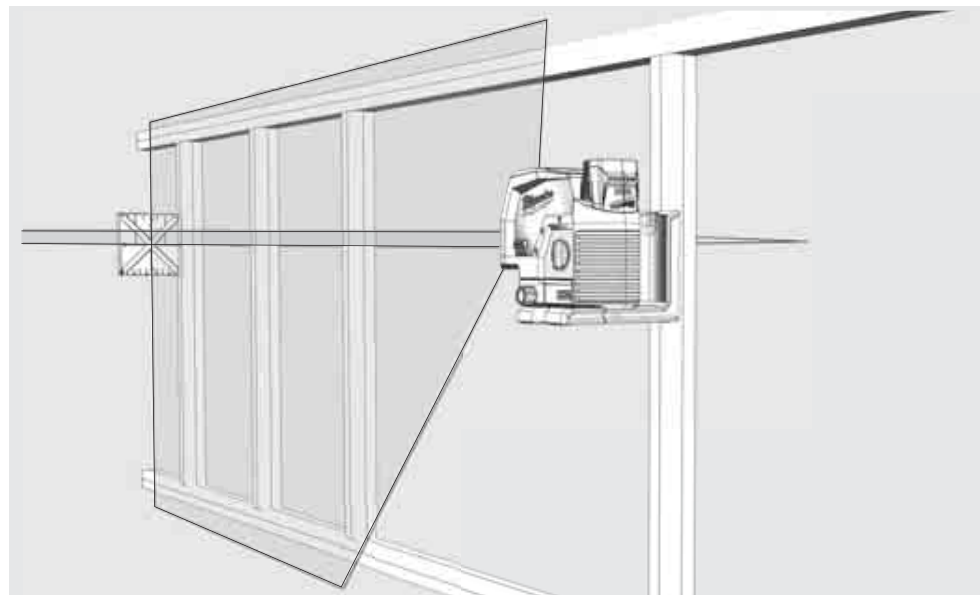
Bruk den grønne målplaten for å forbedre synligheten av laserstrålen under ugunstige forhold og på større avstander.



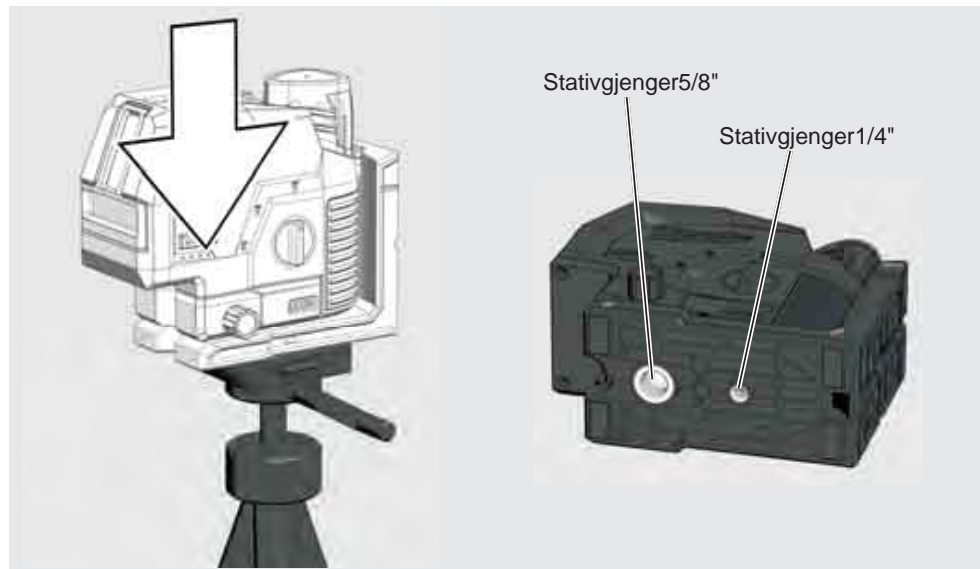
Drei laseren 360 °.



Bruk justeringsknappen for 20 ° dreiemikrojustering



Bruk stativfeste for å fikse laseren på et stativ.



ARBEIDER I SELVNIVELLERINGSMODUS

I selvnivelleringsmodus posisjonerer laseren seg selv innen et område på $\pm 4^\circ$. For å gjøre dette, projiseres det en horisontal linje, en vertikal linje eller begge linjene samtidig.

1

Still laseren på et fast, jevnt og vibrasjonsfritt underlag, eller monter den på et stativ.



2

Drei dreiebryteren til: 

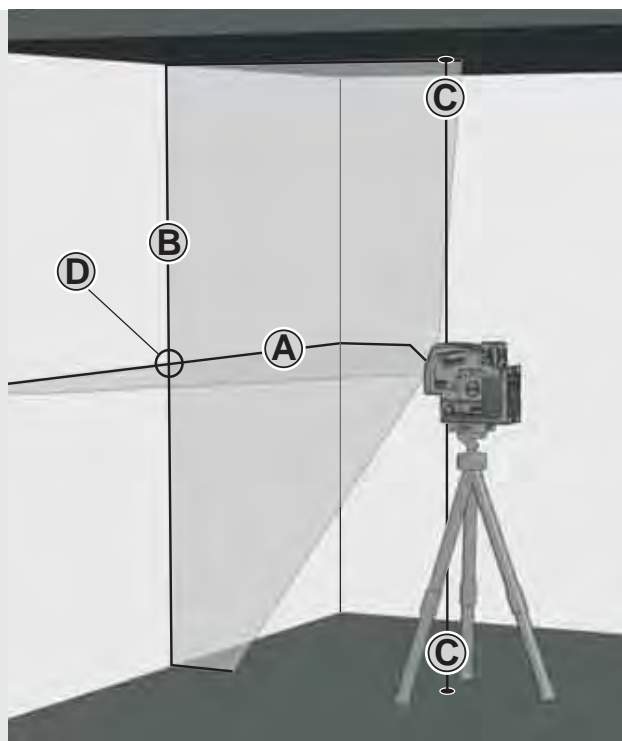


3

Laseren genererer 2 laserlinjer.

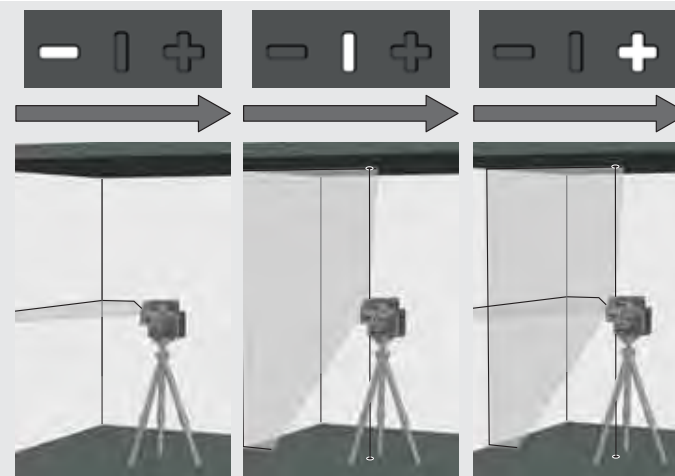
- (A) Horisontal linje forover
- (B) Vertikal linje forover
- (C) Laserpunkt

(D) Når alle linjer er aktiverte, genererer laseren krysslinjer forover.



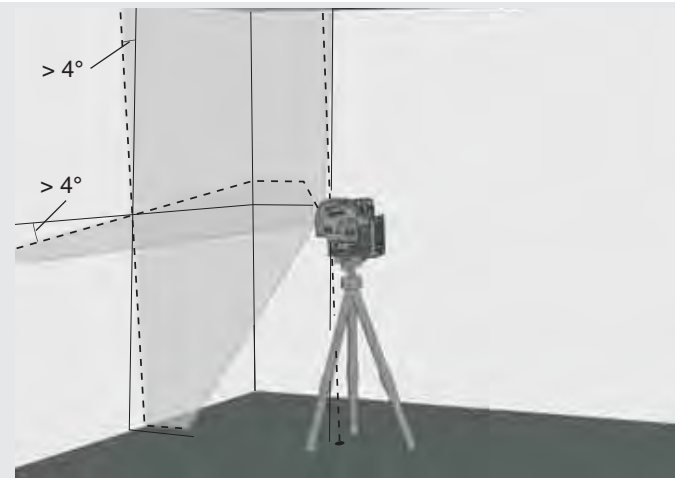
4

Velg de ønskede linjene med knappen MODE.




5

Dersom laseren til å begynne med ikke er rettet inn på $\pm 4^\circ$ når selvnivelleringen er aktivert, blinker laserlinjene. - - - - . I dette tilfellet må laseren posisjoneres på nytt.



6

Før du beveger laseren, vri dreiebryteren til  . På denne måten låses pendelen fast, og laseren beskyttes.



ARBEID I MANUELL MODUS

I manuell modus er selvnivelleringsfunksjonen deaktivert, og laseren kan innstilles på enhver helling for laserlinjene.

1

Still laseren på et fast, jevnt og vibrasjonsfritt underlag, eller monter den på stativet.



2

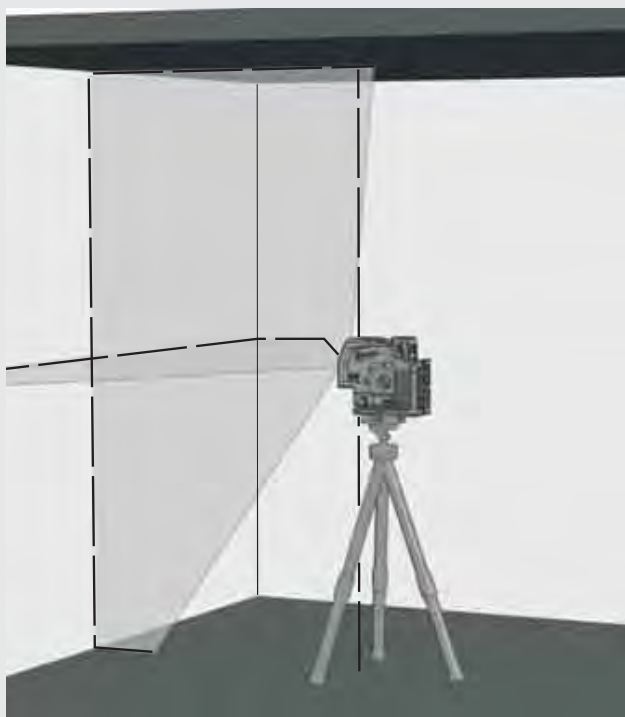
Drei dreiebryteren til: **ON**.



3

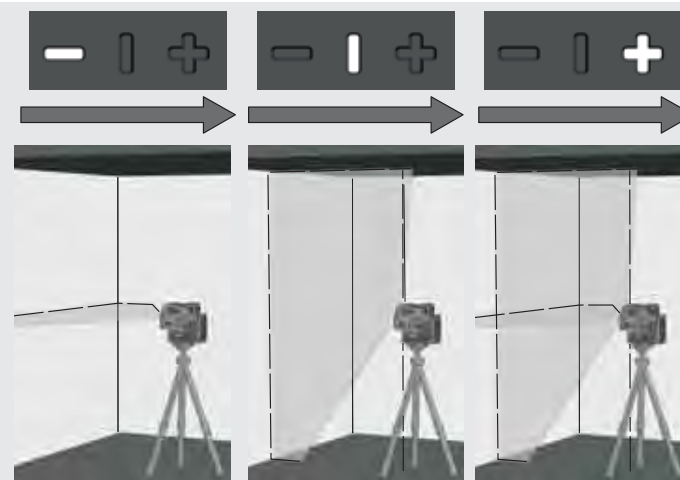
Som i selvnivelleringsmodus genererer laseren 2 laserlinjer, som imidlertid avbrytes hvert 8. sekund.

8 sek. 8 Sek. 8 sek.



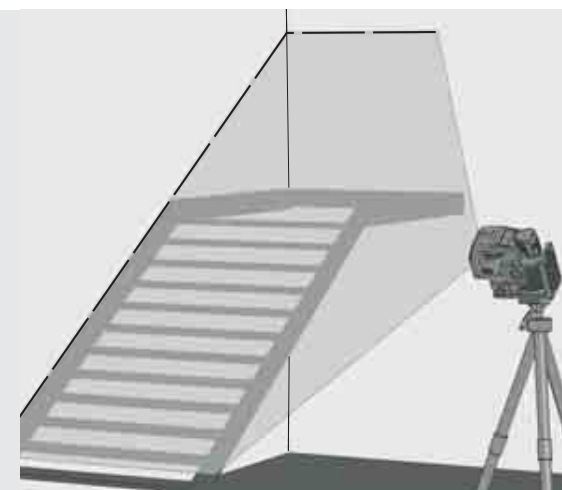
4

Velg de ønskede linjene med knappen MODE.



5

Still inn laseren på ønsket høyde og helling ved hjelp av stativet.



6

For å avslutte manuell modus,

Drei dreiebryteren til: **ON**
eller

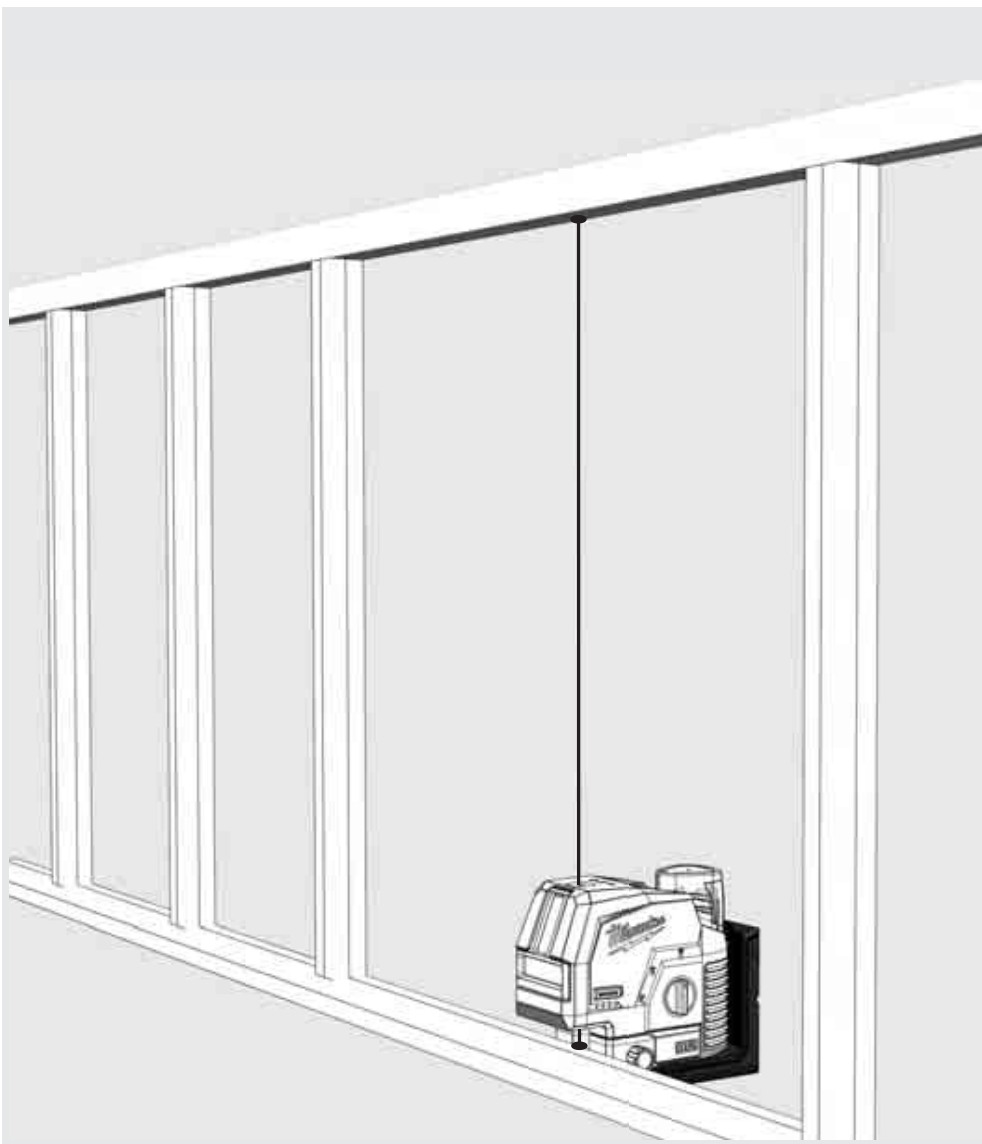
vri dreiebryteren til: **OFF**.



LODDFUNKSJON

Med loddfunksjonen kan man projisere et punkt på gulvet direkte på taket.

Loddfunksjonen brukes eksempelvis til overføring av et referansepunkt for belynings- og ventilasjonsinstallasjonen eller til overføring av høyder.

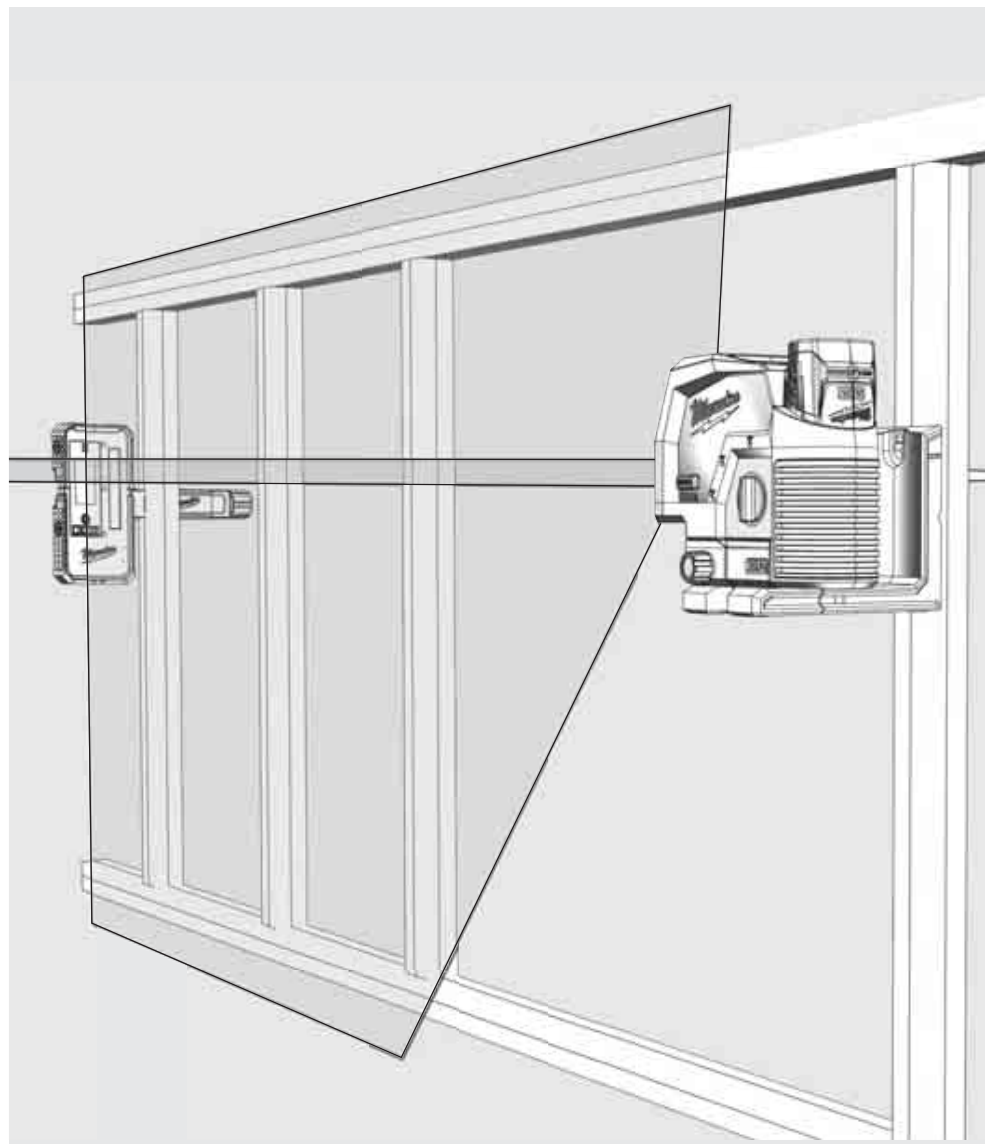


DETEKTOR

For utendørs arbeider i direkte sollys eller i sterke lysforhold samt for arbeider innendørs med en rekkevidde på inntil 50 meter, bruk Milwaukee-detektoren.

Detektoren er ikke med i leveringsomfanget og må kjøpes inn separat.

Utførlig informasjon som gjelder bruken av detektoren, finner du i instruksjonsboken for detektoren.



Laseren er fullstendig kalibrert før den forlater fabrikken. Milwaukee anbefaler å kontrollere laserens nøyaktighet regelmessig, fremfor alt dersom den har falt ned eller etter feilbetjening.

Dersom det maksimale avviket overskrides ved en kontroll av nøyaktigheten, må du henvende deg til et av våre Milwaukee-servicesentre (se liste med garantibetingelsene og adressene til servicesentrene).

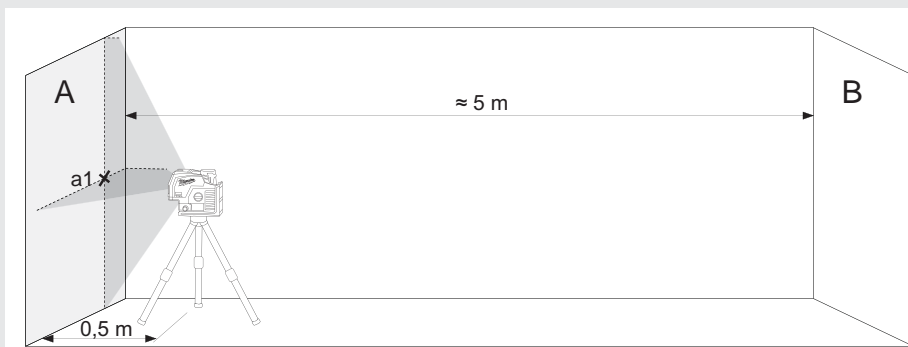
1. Kontroller den horisontale linjens høydenøyaktighet.
2. Kontroller den horisontale linjens nivelleringsnøyaktighet.
3. Kontroller den vertikale linjens nivelleringsnøyaktighet.
4. Kontroller loddets nøyaktighet.

Før nøyaktigheten til laseren som er montert på stativet kontrolleres, må nivelleringen av stativet kontrolleres.

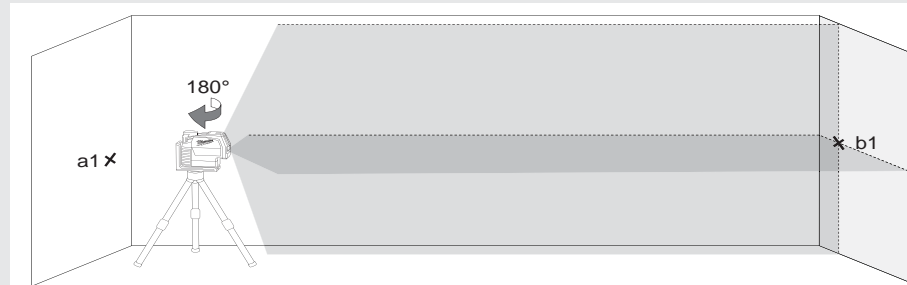


1 KONTROLL AV DEN HORIZONTAL LINJENS HØYDENØYAKTIGHET (AVVIK OPPOVER OG NEDOVER)

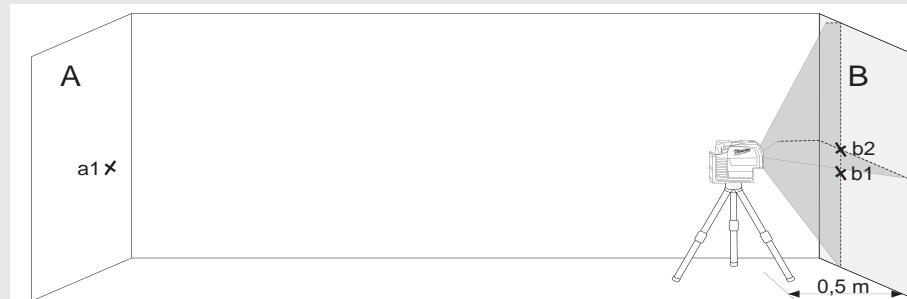
1. Still opp laseren på et stativ eller et jevnt underlag mellom to vegger A og B i ca. 5 m avstand fra hverandre.
2. Posisjoner laseren ca. 0,5 m fra vegg A.
3. Aktiver selvnivelleringsmodus og trykk på knappen for å projisere den horisontale og vertikale linjen på vegg A.
4. marker snittpunktet for de to linjene som punkt a1 på vegg A.



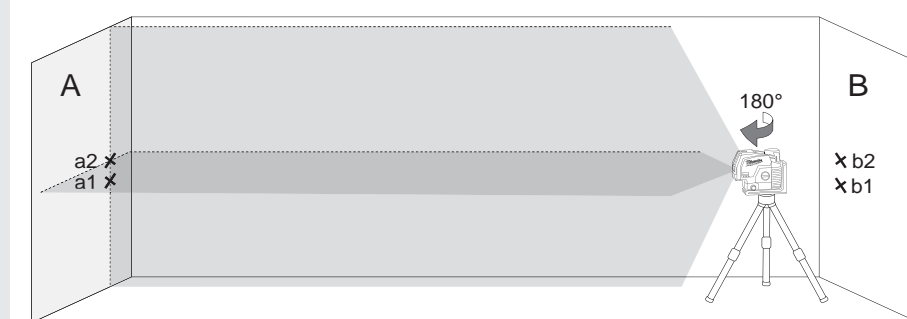
5. Drei laseren 180° i retning av vegg B og marker snittpunktet for de to linjene som b1 på vegg B.



6. Still opp laseren ca. 0,5 m fra vegg B.
7. Marker snittpunktet for de to linjene som punkt b2 på vegg B.



8. Drei laseren 180° i retning av vegg A og marker snittpunktet for de to linjene som a2 på vegg A.



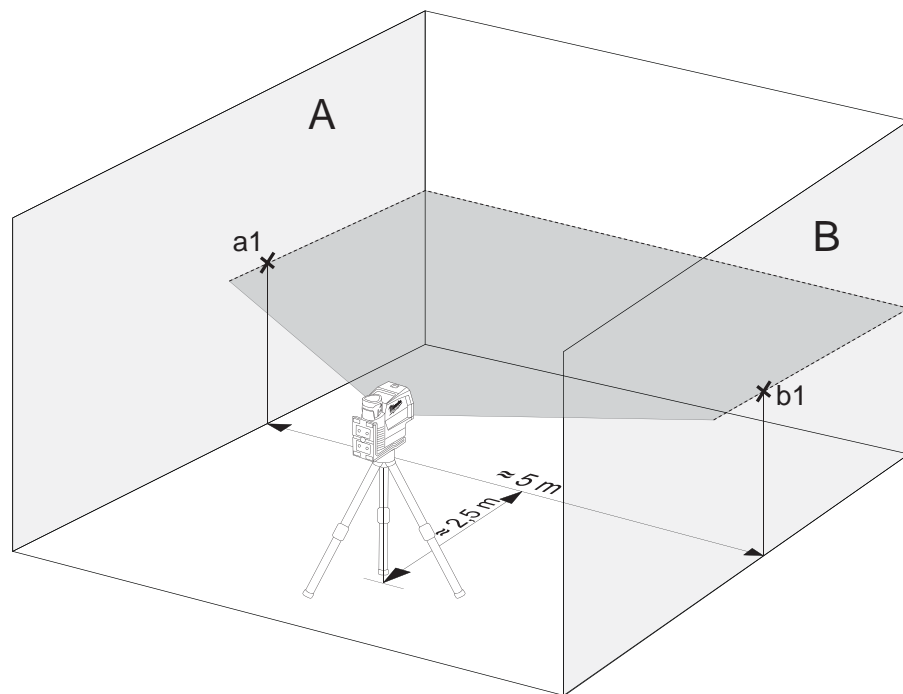
9. Mål avstandene:
 $\Delta a = |a2 - a1|$
 $\Delta b = |b1 - b2|$

10. Die Differansen $|\Delta a - \Delta b|$ må ikke være større enn 2 mm.

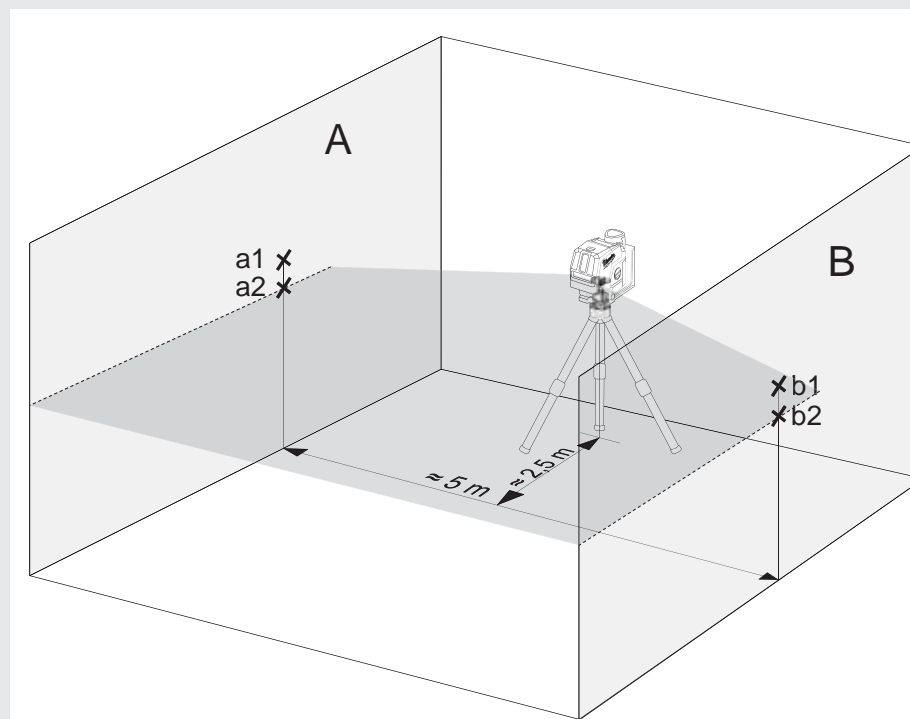
2 KONTROLLER DEN HORIZONTAL LINJENS NIVELLERINGSNØYAKTIGHET (AVVIK FRA DEN ENE SIDEN TIL DEN ANDRE)

Til denne kontrollen behøves det en fri flate på ca. 5 x 5 m.

1. Still opp laseren på et stativ eller et fast underlag mellom to vegger A og B i ca. 5 m avstand fra hverandre.
2. Still opp laseren ca. 2,5 m fra midten av rommet.
3. Aktiver selvnivelleringsmodus og trykk på knappen for å projisere den horisontale linjen på veggene A og B.
4. Marker laserlinjens midtpunkt på vegg A med a1 og på vegg B med b1.



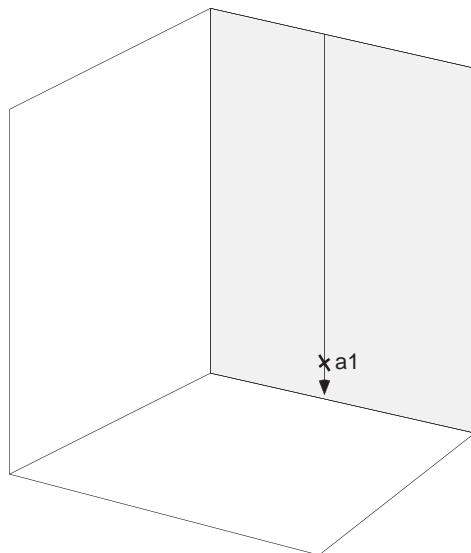
5. Flytt laseren ca. 5 m og dreii den samtidig 180°, og projiser den horisontale linjen på veggene A og B igjen.
6. Marker laserlinjens midtpunkt på vegg A med a2 og på vegg B med b2.



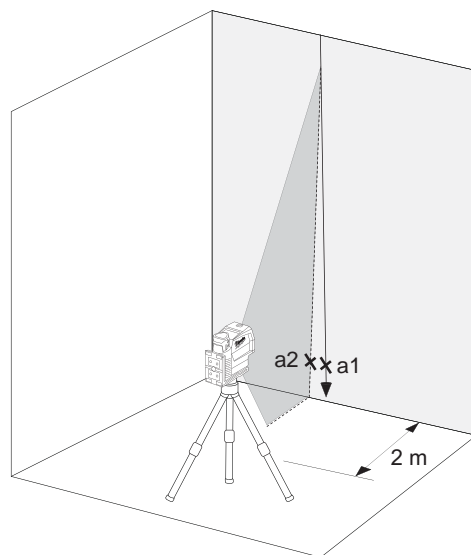
7. Mål avstandene:
 $\Delta a = |a2 - a1|$
 $\Delta b = |b1 - b2|$
8. Die Differansen $|\Delta a - \Delta b|$ må ikke være større enn 2 mm.

3 KONTROLLER DEN VERTIKALE LINJENS NIVELLERINGSNØYAKTIGHET.

1. Heng opp en ca. 4 m lang loddsnor på en vegg.
2. Etter at blylodet har pendlet seg ferdig, marker punktet a1 på veggen over blykjeglen.



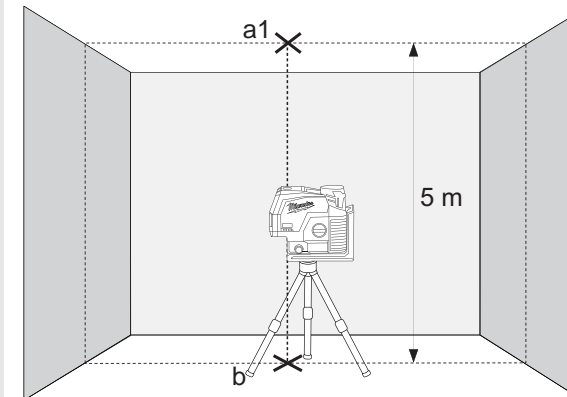
3. Still opp laseren på et stativ eller et jevnt underlag mellom to vegger A og B i ca. 2 m avstand fra veggen.
4. Aktiver selvnivelleringsmodus og trykk på knappen for å projisere den vertikale linjen på loddsnoren.
5. Drei laseren slik at den vertikale linjen stemmer overens med opphenget til loddsnoren.
6. Marker punktet a2 i midten av den vertikale linjen i samme høyde som a1 på veggen.
7. Avstanden mellom a1 og a2 må ikke være større enn 1 mm.



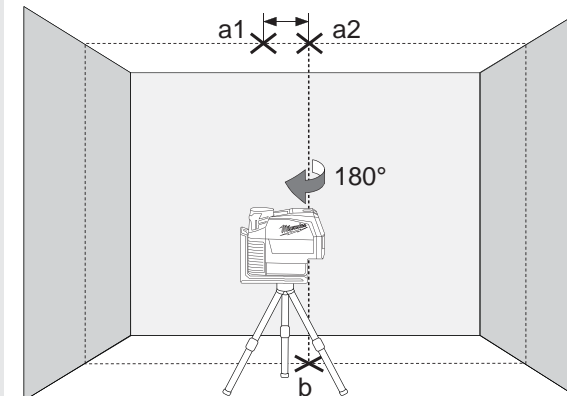
4 KONTROLLER LODDETS NØYAKTIGHET

Til denne kontrollen er det nødvendig med et rom med en takhøyde på ca. 5 m.

1. Sett opp tverrlaser på et stativ.
2. Slå PÅ selvnivellerende modus og trykk på trykknappen for å bytte til lubben funksjon.
3. Merk det øvre loddepunktet i taket som punkt a1 (se illustrasjonen).
4. Merk den nederste loddprikken på gulvet som punkt b.



5. Drei laseren 180° og posisjonere den slik at loddpunktets midtpunkt faller på det allerede markerte punkt be og vent inntil instrumentet har nivellert seg.
6. Merk det øvre loddepunktet i taket som punkt a1 (se illustrasjonen).
7. Avstanden mellom punktene a1 og a2 på taket angir hvor mye laserlinjen avviker fra ideell loddrett linje. Ved en målestrekning på 5 m er maksimalt tillatt avvik: $5 \text{ m} \times (\pm 0,6 \text{ mm/m}) \times 2 = \pm 6 \text{ mm}$.
8. Avstanden mellom a1 og a2 må ikke være større enn 6 mm.



INNEHÅLL

Viktiga säkerhetsföreskrifter	109
Skötsel.....	110
Tekniska data.....	110
Avsedd användning	110
Översikt	111
Utrustning	112
Byt batteri	112
Batterikapacitetsindikator	113
Indikator för lågt batteri	113
Takmontering	113
Väggfäste & grön målplatta	114
Arbeta i självnivelleringsläge	115
Arbeta i manuellt läge.....	116
Lodfunktion.....	117
Detektor.....	117
Kontrollera noggrannhet.....	118

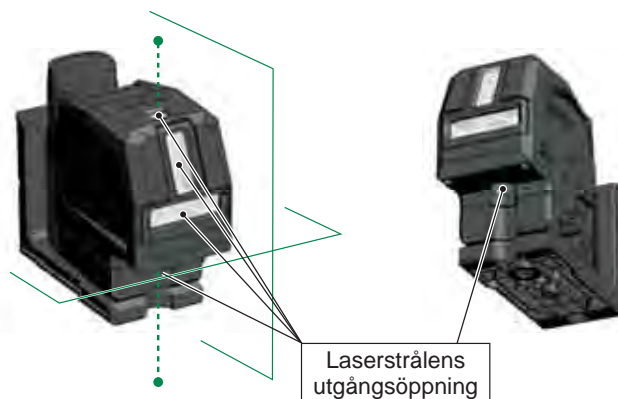
VIKTIGA SÄKERHETSFÖRESKRIFTER



OBSERVERA! VARNING! FARA!

Använd inte denna produkt utan att läsa säkerhetsföreskrifter och handbok.

Laserklassificering



WARNING:

Produkten motsvarar klass 2 enligt: EN60825-1:2014 .



SVENSKA

Varning:

Utsätt inte ögonen direkt för laserstrålen. Laserstrålen kan orsaka allvarliga ögonskador och/eller blindhet.

Titta inte direkt in i laserstrålen och rikta inte strålen mot andra personer i onödan.

Observera! Vid vissa typer av användning kan det laseremitterande instrumentet finnas bakom dig. Var i så fall försiktig när du vänder dig om.

Varning:

Använd inte lasern i närheten av barn och låt inte barn använda lasern.

Varning! En reflekterande yta kan kasta tillbaka laserstrålen till användaren eller andra personer.

Varning: Användning av manöverkomponenter och inställningar eller andra förfaranden resp. metoder som inte nämns i manualen kan orsaka farlig strålbekastning.

Om lasern förs från en varm omgivning till en kall omgivning (eller tvärt om), måste den anpassa sig till den nya omgivningstemperaturen innan den används.

Förvara inte lasern utomhus och skydda den mot slag, konstant vibration och extrema temperaturer.

Skydda lasermätinstrumentet mot damm, fukt och hög luftfuktighet. Detta kan förstöra komponenter inne i instrumentet på påverka noggrannheten.

Om laserstrålningen hamnar i ögonen, slut ögonen och vänd omedelbart bort huvudet från strålen.

Se till att du placerar laserstrålen så att inte du själv eller andra personer kan bländas av den.

Titta inte in i laserstrålen med förstoringsapparater, som kikare eller teleskop. Detta kan leda till ökad risk för allvarliga ögonskador.

Observera att laserglasögon är till för att bättre kunna se laserlinjerna men de skyddar inte ögonen mot laserstrålning.

Varningsskyltar på laserinstrumentet får inte tas bort eller göras oläsliga.

Demontera inte lasern. Laserstrålning kan orsaka allvarliga ögonskador.

Säkerställ innan lasern transporteras att pendelspärren är fasthakad.

OBS: Om pendelspärren inte är fasthakad kan under transporten skador uppstå inuti instrumentet.

Använd inga aggressiva rengöringsmedel eller lösningsmedel. Rengör endast med en ren, fuktig trasa.

Skydda lasern mot hårda stötar och fall. Efter ett fall eller kraftig mekanisk påverkan ska instrumentets noggrannhet kontrolleras innan det används.

Om denna laser-apparat behöver repareras så får endast auktoriserad fackpersonal utföra reparationen.

Använd inte produkten i aggressiv eller explosiv miljö.

Ta ut batterierna ur batterifacket innan längre perioder då instrumentet inte används. På så sätt kan det undvikas att batterierna läcker och orsakar korrosionsskador.

omna batterier får inte avfallshanteras som hushållssopor. Tänk på miljön och lämna in batterierna till närmaste återvinningsstation enligt gällande miljölagstiftning. Instrumentet får inte avfallshanteras som hushållssopor. Se till att instrumentet skrotas på ett ådant sätt att nationella regler efterlevs. Följ nationella och landsspecifika regler. Kontakta de lokala myndigheterna eller återförsäljaren om du har frågor som gäller avfallshanteringen.



CE Europeiskt konformitetsmärke

109

SKÖTSEL

Torka av laserns objektiv och hus med en mjuk, ren trasa. Använd inga lösningsmedel. Även om lasern till viss mån är damm- och smutstålig bör den inte förvaras på en dammig plats under längre tid eftersom detta kan leda till att inre, rörliga delar skadas. Om lasern skulle bli blöt ska de torkas innan den läggs ner i väskan så att inga rostskador uppstår.

TEKNISKA DATA

Laserklass	2
Självnivelleringsområde	± 4°
Självnivelleringstid	3 s
Batterityp	Li-Ion
Spänning DC	12V ===
Skyddsklass (stänkvatten och damm)	IP54*
Max. höjdläge	2000 m
Relativ luftfuktighet max.	80%
Nedsmutsningsgrad enligt IEC 61010-1	2**
Pulstid t _p	≤ 80 μs
Funktioner	horisontell linje, vertikala linjer, korslinjer, lodfunktion (2 poäng)
Frekvens	10 kHz
Projektioner	2 gröna linjer, 2 poäng grönt
Diodkvantitet	2
Diodtyp	30 mW
Laserlinjemönster	Enkla horisontella, enkla vertikala + 2 plumprickar upp och ner, korslinje + 2 plumprickar (upp och ner).
Drifttid	15 timmar med batteri M12 3.0 Ah
Stativgänga	1/4" / 5/8"
Lämplig detektor	Milwaukee LLD50
Laserlinje	
Bredd	< 9,53mm @ 30m
Våglängd	510 - 530 nm Laserklass II
Maximal effekt	≤ 7 mW
Noggrannhet	+/- 3 mm / 10 m
Öppningsvinkel	vertikala linjer, > 120°; horisontell linje, > 114°
Färg	grön
Räckvidd	38 m (med detektor 50 m)

Lodpunkt	
Våglängd laserpunkt	510 - 530 nm laserklass II
Max. effekt laserpunkt	< 1 mW
Lodnoggrannhet	+/- 3 mm / 10 m
Laserpunktfärg	grön
Räckvidd	30 m
Rekommenderad drifttemperatur	-10 °C till +40 °C
Lagertemperatur	-20 °C till +50 °C
Rekommenderade batterityper	M12 B...
Mått	170 mm x 82 mm x 148 mm
Vikt (inkl. batterier)	1205 g

* Litiumjonbatteriet och batterifacket täcks inte av IP54-skyddet.

** Endast icke ledande smuts uppstår, dock förväntas att tillfällig konduktivet förekommer då och då genom droppbildning.

AVSEDD ANVÄNDNING

Produkten är främst avsedd för inomhusanvändning. Vid användning utomhus måste omgivningsförhållandena motsvara de som finns inomhus.

Den här innovativa lasern är konstruerad för ett brett professionellt användningsområde, som t.ex.

- inriktning av kakel, marmorplattor, skåp, bårder, formdelar och kantband
- markering av baslinjer för montering av dörrar, fönster, skenor, trappor, staket, portar, verandor och pergolor
- För bestämning och kontroll av horisontella och vertikala linjer.
- Nivellering av innertak och rörledningar, fönsterindelning och inriktning av rör, nivellering av omfattningsväggar för elinstallationer

Denna produkt får endast användas på det sätt som beskrivs under avsedd användning.

Lodpunkt

Vertikal laserlinjefönster

Fönster horisontal laserlinje

Humörsknapp

Kort tryck: Välj mellan laserlinjer:

- horisontellt
- vertikalt + plumfunktion
- korslinjer + plumfunktion

Långt tryck: växla normalt läge / energisparläge

LED-display batterikapacitet

20 ° mikrojustering (+/- 10 ° från mitten)

Lodpunkt

Stativfäste 5/8 "

Stativfäste 1/4 "



LED-display laserlinje

- horisontell
- | vertikal
- + tvärlinje

M12 Batteripaket

Markering för den horisontella laserstrålen

Rattvred

- OFF Av / låst
- ON På / manuellt läge
- ON på / självutjämningsläge

Magnethållare

Takmontering



UTRUSTNING

Tillbehör - ingår inte i standardutrustningen, finns som tillbehör.

Terminal LM360



Detektor LLD50

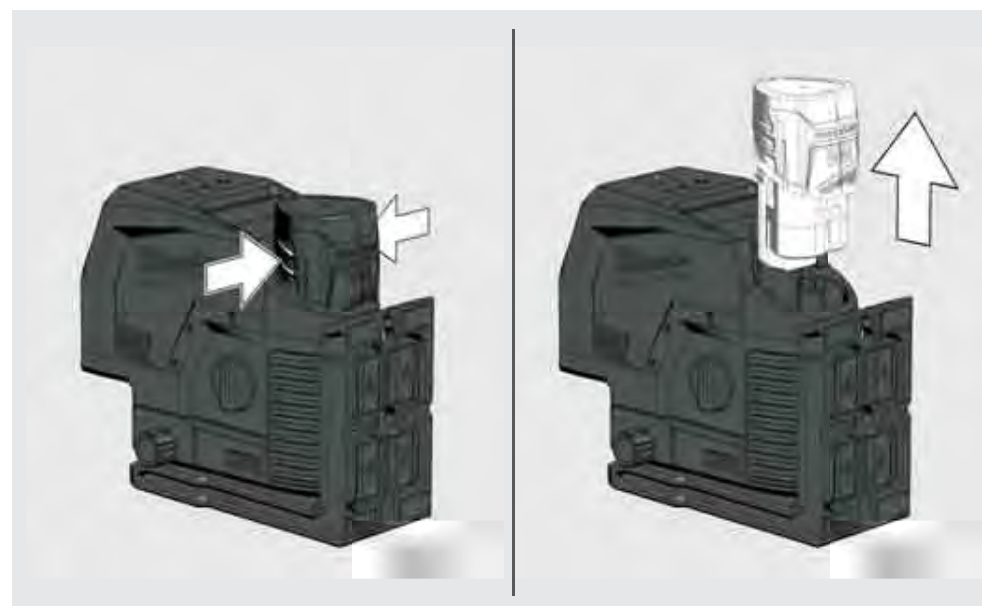
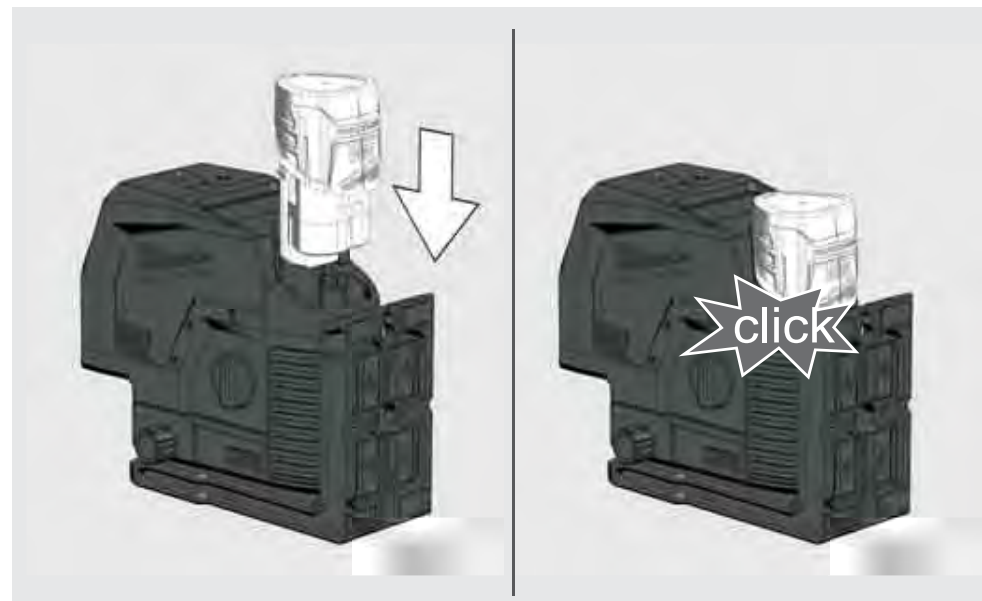


Stativ TRP180



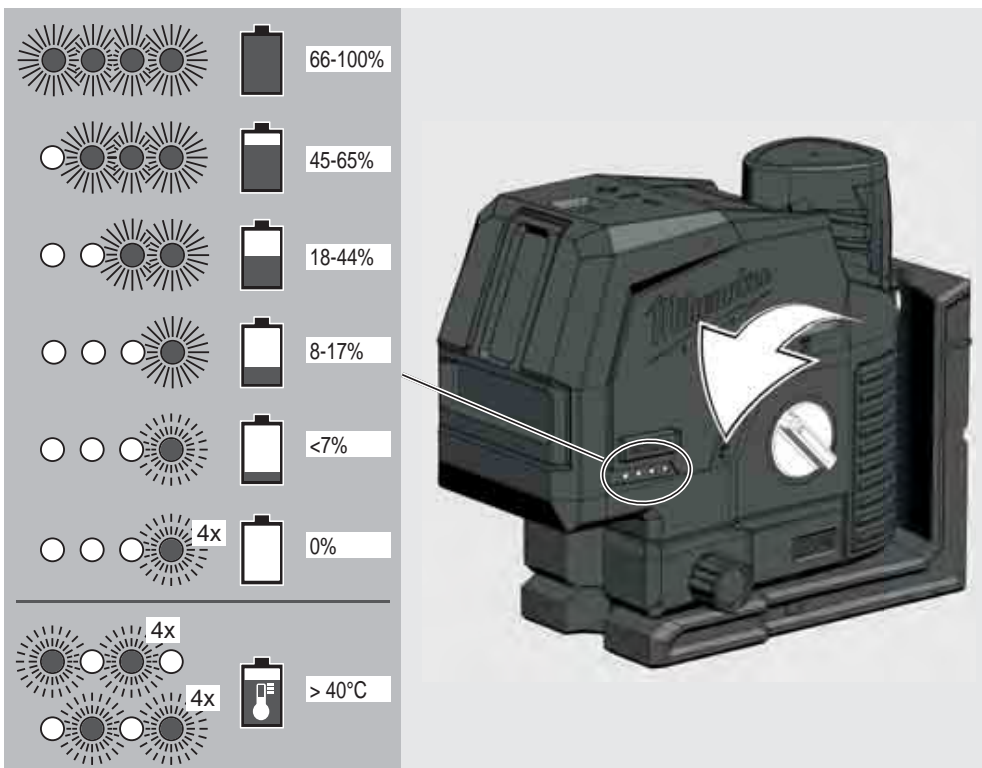
BYT BATTERI

Använd endast ett M12-uppladdningsbart Milwaukee-batteri.



BATTERIKAPACITETSINDIKATOR

Efter att laser har slagits på eller stängt av kommer bränslemätaren att visa batteriets livslängd.



INDIKATOR FÖR LÅGT BATTERI

När spänningen är låg växlar lasern till energisparläge.
Lasern blinkar i självnivellerande läge

4 sek. 1 sek.

Lasern blinkar i manuellt läge

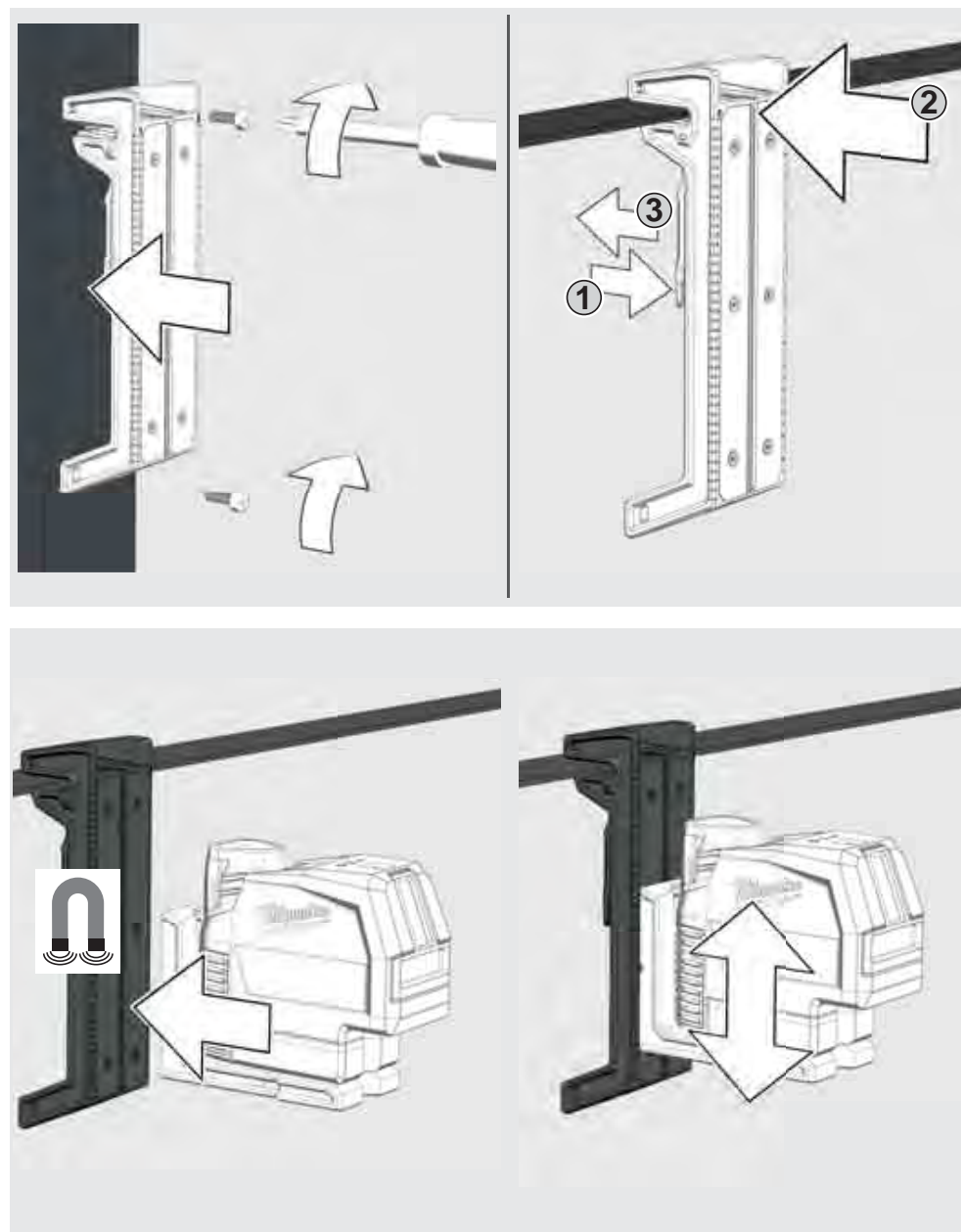
8 sek. 1 sek.

Från och med nu är det fortfarande möjligt att fortsätta arbetet.
När spänningen är för låg blinkar lasern och lysdioden fyra gånger och stängs automatiskt av.

TAKMONTERING

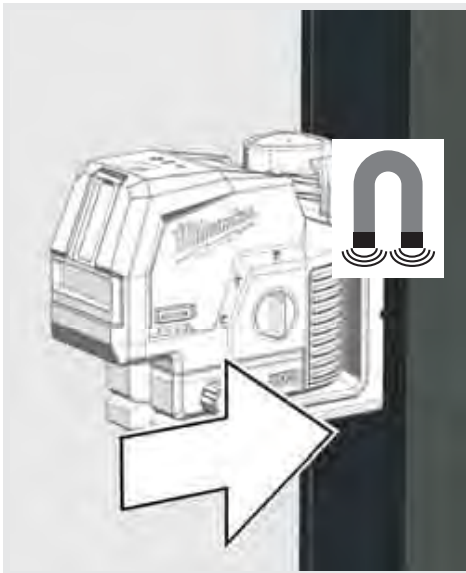
Fäst spårklämman med skruvar på en pelare.

Använd takfästet för att klämma fast lasern till takkanaler, stativer ...

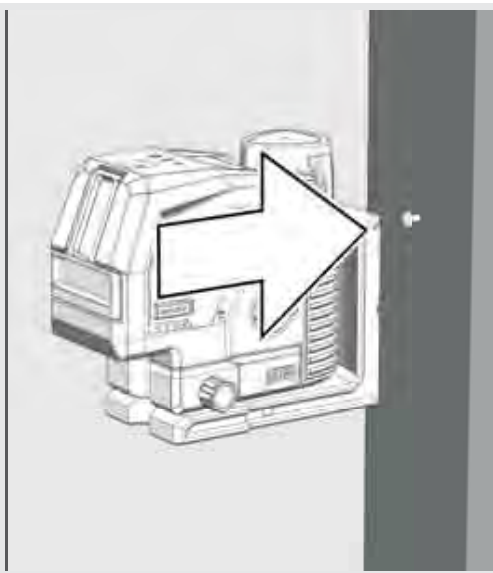


VÄGGFÄSTE & GRÖN MÅLPLATTA

Med den magnetiska vägghållaren kan lasern fästas på väggar, metallstrukturer eller liknande. Eller fixa med en skruv eller spik på en pelare.

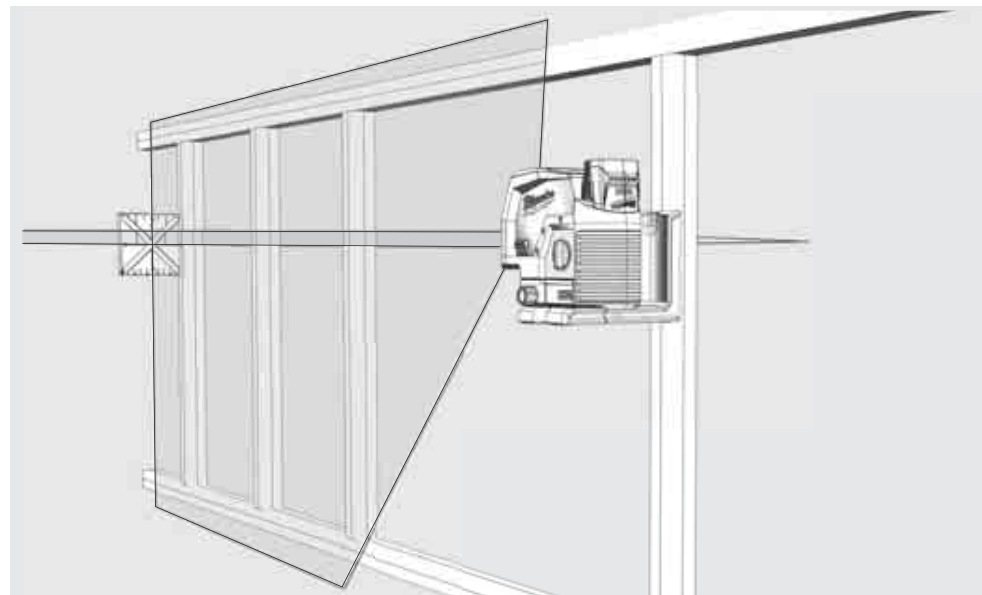


Vrid lasern 360 °.

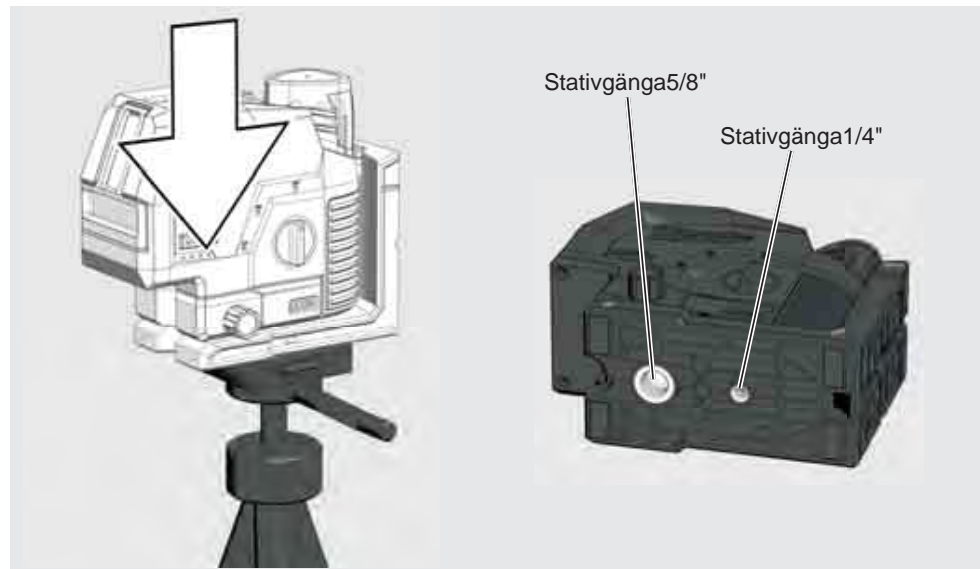


Använd justeringsknappen för 20 ° svängning av mikrojustering

Använd den gröna målplattan för att förbättra laserstrålens synlighet under ogynnsamma förhållanden och på större avstånd.



Använd stativfästet för att fixa lasern på ett stativ.



ARBETA I SJÄLVNIVELLERINGSLÄGE

I självnivelleringsläget riktar lasern in sig själv i ett område på $\pm 4^\circ$. För detta projiceras en horisontell linje, en vertikal linje) eller båda linjerna samtidigt.


1

Ställ lasern på ett fast, jämnt och vibrationsfritt underlag eller montera den på ett stativ.



1/4" gängad tapp
5/8" gängad tapp

2

Vrid vridomkopplaren till: 

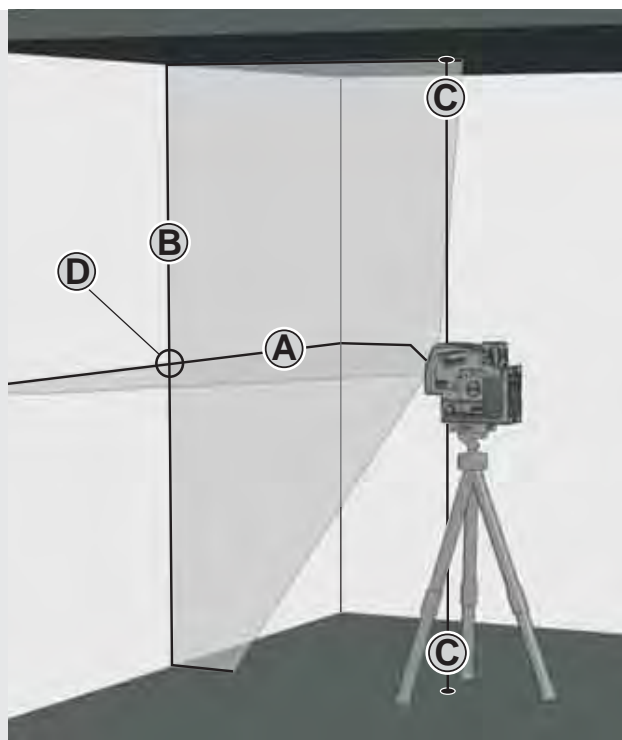


3

Lasern skapar 2 laserlinjer.

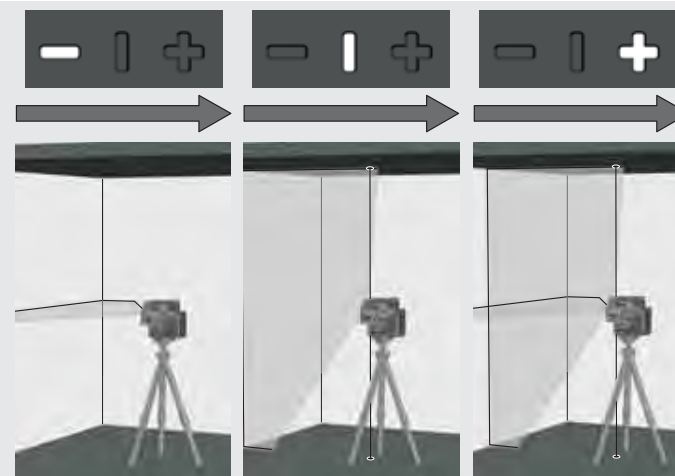
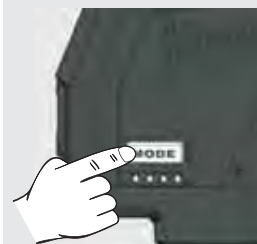
- (A) Horisontell linje framåt
- (B) Vertikal linje framåt
- (C) Laserpunkt

(D) När alla linjer är aktiverade skapar lasern korslinjer framåt.



4

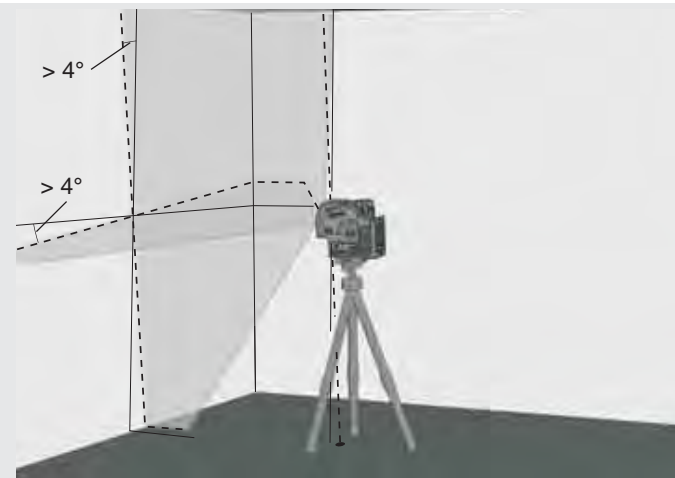
Välj de önskade linjerna med knappen MODE.




5

Om lasern med aktiverad självnivellering i början inte är inriktad på $\pm 4^\circ$ blinkar laserlinjerna.

Positioner i så fall om lasern.



6

Innan du flyttar lasern, vrid vridomkopplaren till **OFF** . På så sätt spärras pendeln och lasern skyddas.



ARBETA I MANUELLT LÄGE


I manuellt läge är självnivelleringen avaktiverad och laser kan ställas in till valfri lutning hos laserlinjerna.

1

Ställ lasern på ett fast, jämnt och vibrationsfritt underlag eller montera den på stativet.



2

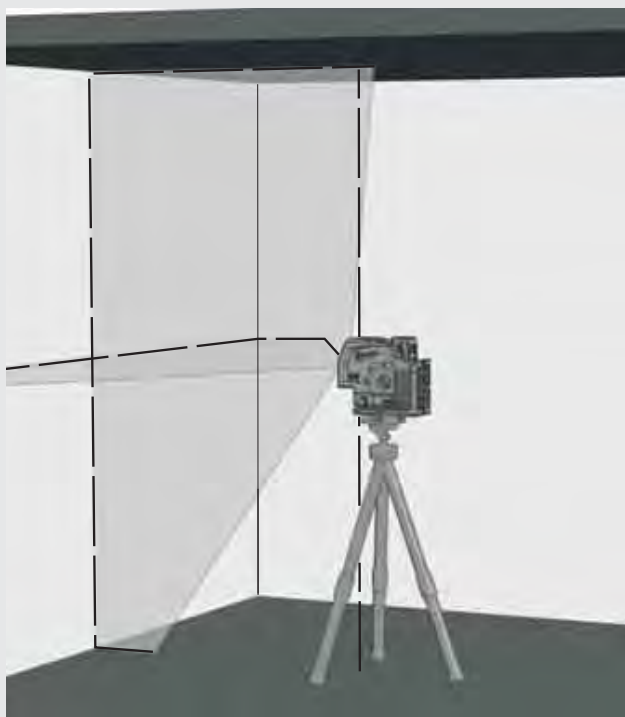
Vrid vridomkopplaren till:  ON.



3

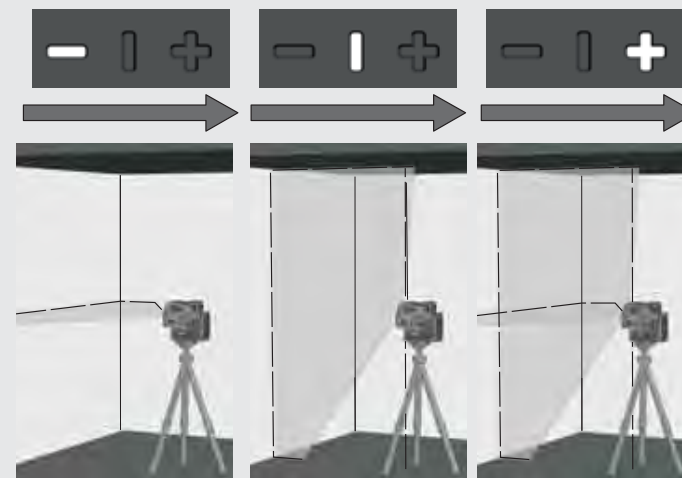
Liksom vid självnivelleringsläget skapar lasern 2 laserlinjer som dock avbryts med intervall på 8 sekunder.

8 sek. 8 sek. 8 sek.



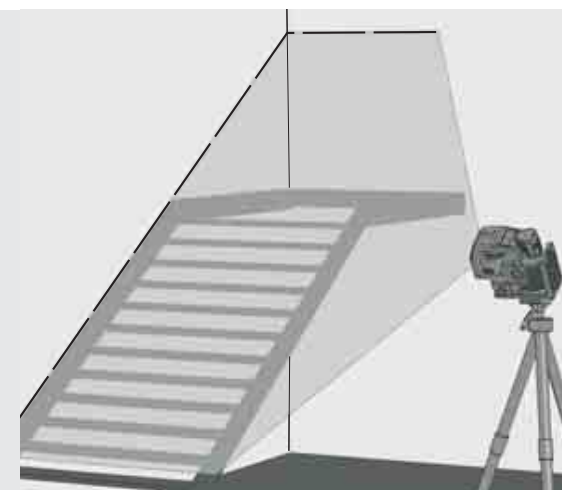
4

Välj de önskade linjerna med knappen MODE.



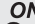
5


Ställ in lasern till önskad höjd och lutning med hjälp av stativet.

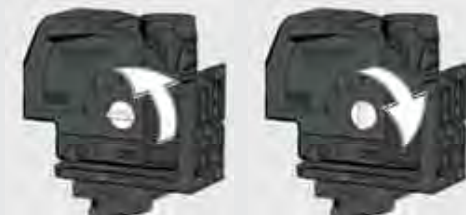


6

För att lämna manuellt läge,

Vrid vridomkopplaren till:  ON eller

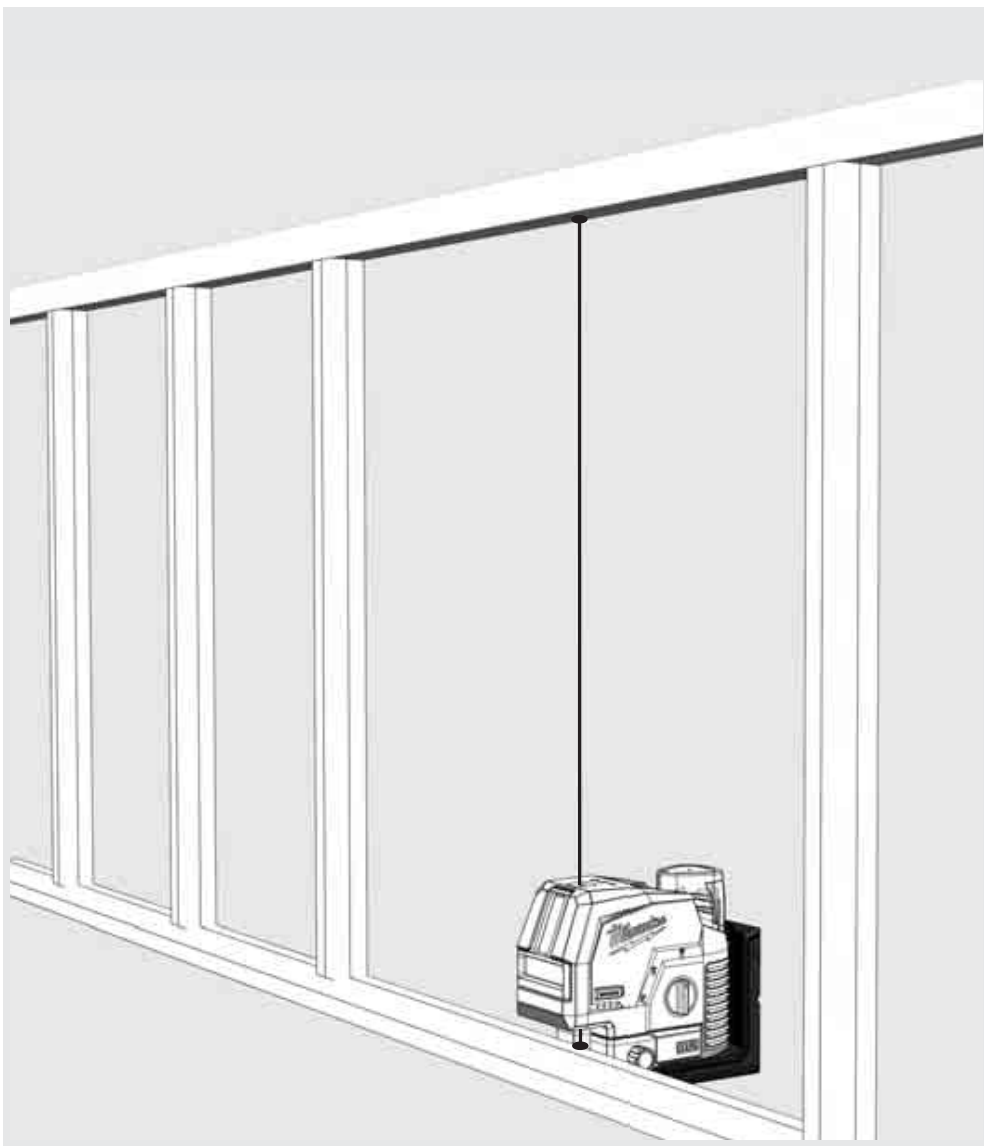
vrid vridomkopplaren till:  OFF.



LODFUNKTION

Med lodfunktionen kan en punkt projiceras lodrätt mot innertaket.

Lodfunktionen används exempelvis för att föra över en referenspunkt för belysnings- och ventilationsinstallationen eller för överföring av höjder.

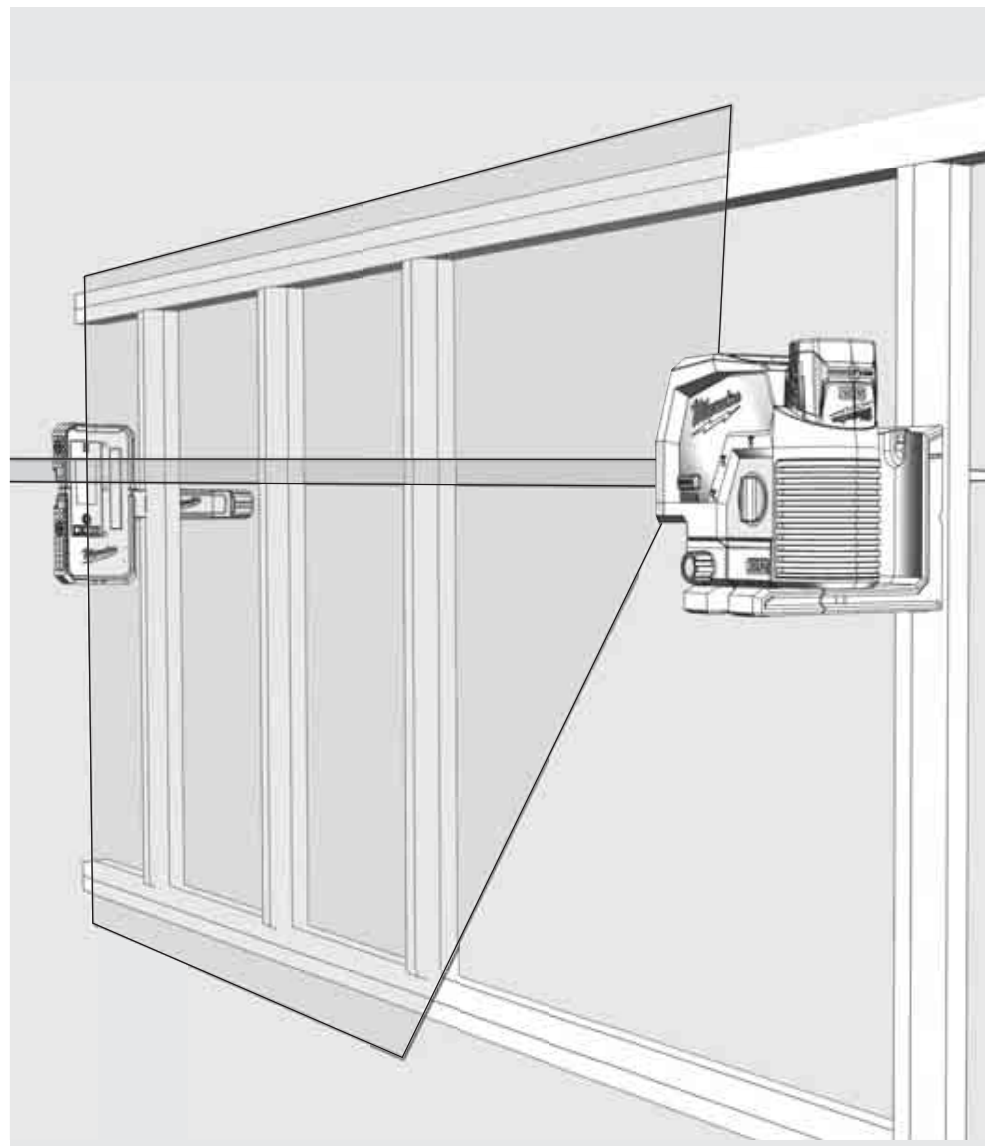


DETEKTOR

För arbeten utomhus vid direkt solstrålning eller ljusa ljusförhållande samt för användningar inomhus med en räckvidd på upp till 50 meter använd Milwaukee-detektorn.

Detektorn ingår inte i leveransen utan måste köpas separat.

Utförlig information om användning av detektorn hittar du i detektorns bruksanvisning.



KONTROLLERA NOGGRANNHET

Lasern kalibreras komplett på fabriken. Milwaukee rekommenderar att laserns noggrannhet kontrolleras regelbundet, framförallt efter ett fall eller efter felaktig användning.

Om den maximala avvikelserna överskrider vid en kontroll av noggrannheten, kontakta ett av våra Milwaukee-servicecenter (se lista med garantivillkoren och adresser till servicecenter).

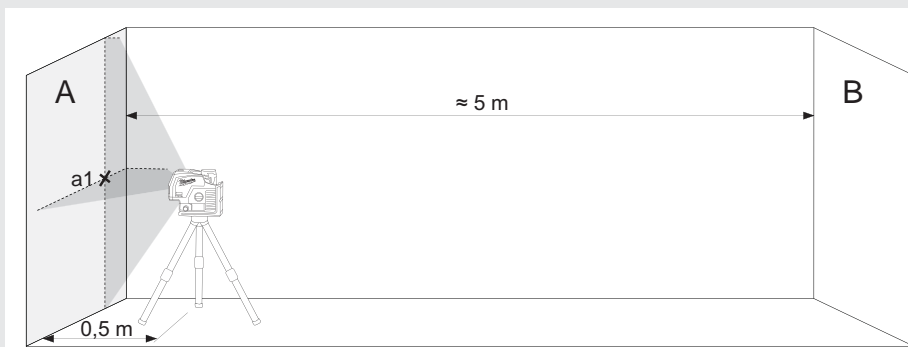
1. Kontrollera den horisontella linjens höjdnoggrannhet.
2. Kontrollera den horisontella linjens nivelleringsnoggrannhet.
3. Kontrollera den vertikala linjens nivelleringsnoggrannhet.
4. Kontrollera lodnoggrannhet.

Innan noggrannheten hos den på stativet monterad lasern kontrolleras, kontrollera först stativets nivellering.

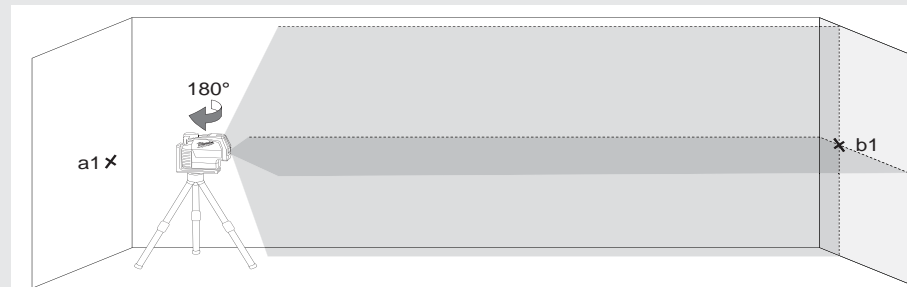


1 KONTROLLERA DEN HORISONTELLA LINJENS HÖJDNOGGRANNHET (AVVIKELSE UPPÅT OCH NEDÅT)

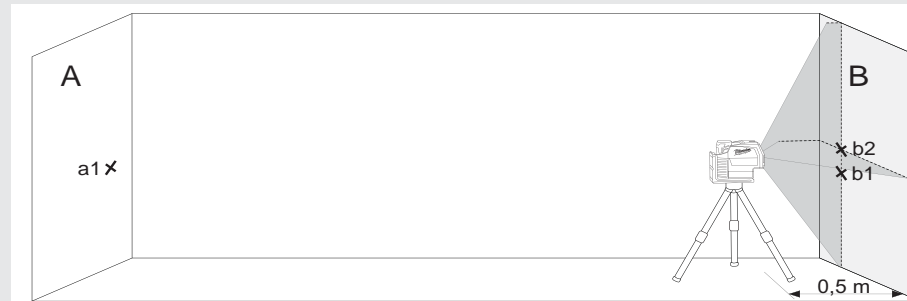
1. Ställ upp lasern på ett stativ eller på ett jämnt underlag mellan två ca 5 m från varandra avlägsna väggar A och B.
2. Placera lasern ca 0,5 m från vägg A.
3. Slå på självnivelleringsläget och tryck på knappen för att projicera den horisontella och den vertikala linjen på vägg A.
4. Markera skärningspunkten mellan de båda linjerna som punkt a1 på vägg A.



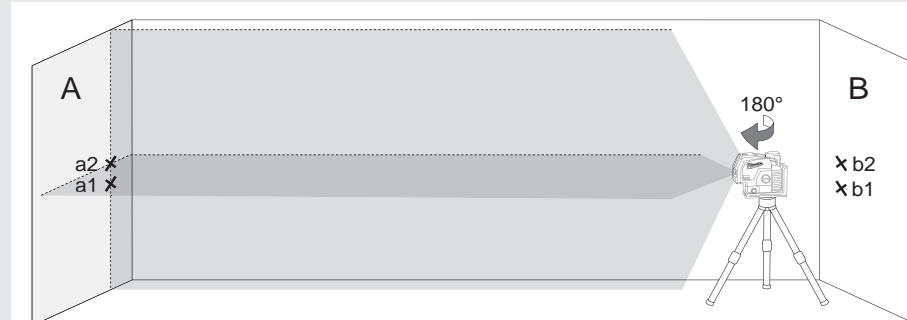
5. Vrid lasern 180° i riktning mot vägg B och markera skärningspunkten mellan de båda linjerna som b1 på vägg B.



6. Ställ upp lasern ca 0,5 m från vägg B.
7. Markera skärningspunkten mellan de båda linjerna som b2 på vägg B.



8. Vrid lasern 180° i riktning mot vägg A markera skärningspunkten mellan de båda linjerna som a2 på vägg A.

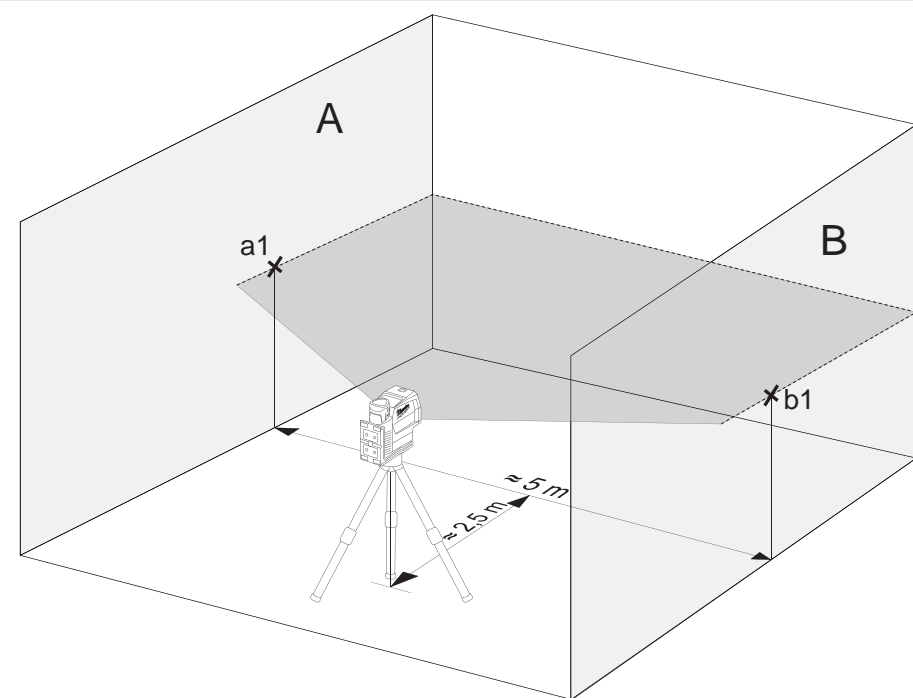


9. Mät avstånden:
 $\Delta a = |a2 - a1|$
 $\Delta b = |b1 - b2|$
10. Differensen $|\Delta a - \Delta b|$ får inte vara större än 2 mm.

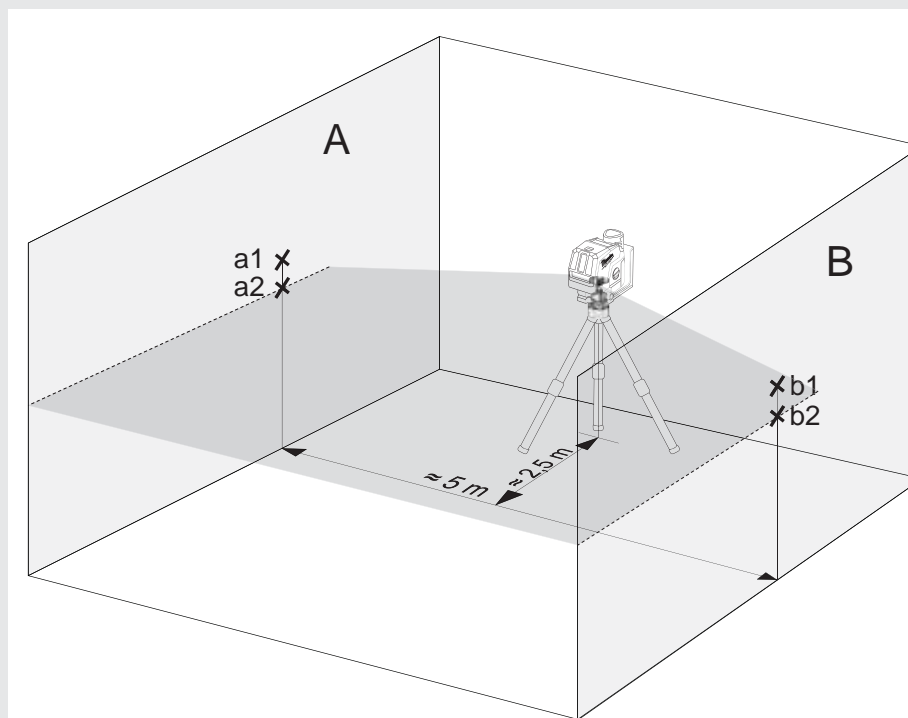
2 KONTROLLERA DEN HORISONTELLA LINJENS NIVELLERINGSNOGGRANNHET (AVVIKELSE FRÅN EN SIDA TILL DEN ANDRA)

För den här kontrollen behövs en fri yta på ca 5 × 5 m.

1. Ställ upp lasern på ett stativ eller på ett fast underlag mellan två ca 5 m från varandra avlägsna väggar A och B.
2. Ställ upp lasern ca 2,5 m från rummets mitt.
3. Slå på självnivelleringsläget och tryck på knappen för att projicera den horisontella linjen på väggarna A och B.
4. Markera laserlinjens mittpunkt på vägg A med a1 och på vägg B med b1.



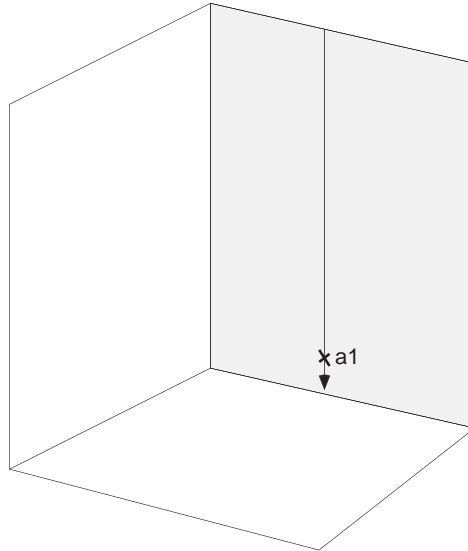
5. Förflytta lasern ca 5 m och vrid den 180° och projicera på nytt den horisontella linjen på väggarna A och B.
6. Markera laserlinjens mittpunkt på vägg A med a2 och på vägg B med b2.



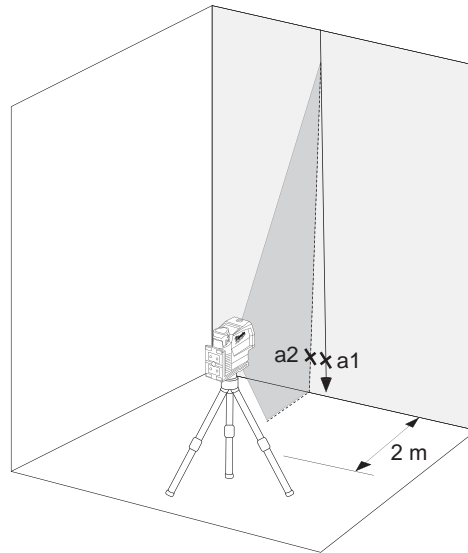
7. Mät avstånden:
 $\Delta a = |a2 - a1|$
 $\Delta b = |b1 - b2|$
8. Differensen $|\Delta a - \Delta b|$ får inte vara större än 2 mm.

3 KONTROLLERA DEN VERTIKALA LINJENS NIVELLERINGSNOGGRANNHET.

1. Häng upp ett ca 4 m långt lodsnöre vid en vägg.
2. Efter att sänklodet har slutat pendla, markera punkten a1 på väggen ovanför sänklodet.



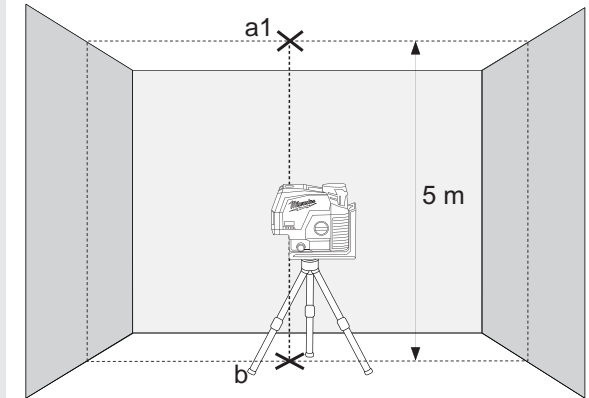
3. Ställ upp lasern på ett stativ eller på ett jämnt på ca 2 m avstånd från väggen.
4. Slå på självnivelleringsläget och tryck på knappen för att projicera den vertikala linjen på lodsnöret.
5. Vrid lasern så att den vertikala linjekn överensstämmer med lodsnörets upphängning.
6. Markera punkt a2 i mitten på den vertikala linjen på samma höjd som a1 på väggen.
7. Avståndet mellan a1 och a2 får inte vara större än 1 mm.



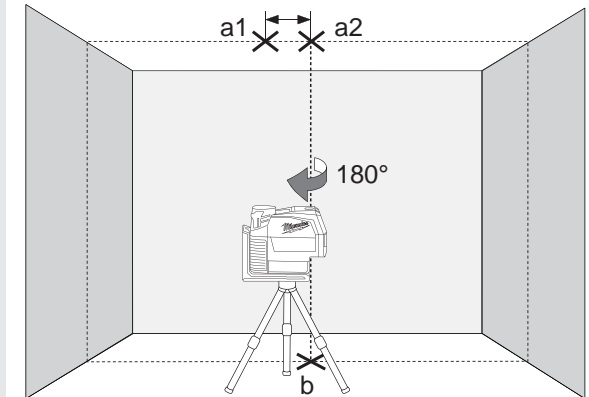
4 KONTROLLERA LODNOGGRANNHET

För den här kontrollen krävs ett rum med en takhöjd på minst ca 5 m.

1. Ställ in tvärlasern på ett stativ.
2. Slå på självnivelleringsläget och tryck på tryckknappen för att växla till den fylliga funktionen.
3. Markera den övre plummen på taket som punkt a1 (se bilden).
4. Markera den nedre plumpricken på golvet som punkt b.



5. Vrid lasern 180° och placera den så att lodpunktens mittpunkt faller på den redan markerade punkten b och vänta tills instrumentet har nivellerats.
6. Markera den övre plummen på taket som punkt a1 (se bilden).
7. Avståndet mellan punkterna a1 och a2 på innertaket visar hur kraftigt laserlinjen avviker från den ideala lodlinjen. Med en mätsträcka på 5 m är den maximalt tillåtna avvikelser:
 $5 \text{ m} \times (\pm 0,6 \text{ mm/m}) \times 2 = \pm 6 \text{ mm}$.
8. Avståndet mellan a1 och a2 får inte vara större än 6 mm.



SISÄLTÖ

Tärkeitä turvallisuusohjeita	121
Huolto	122
Tekniset arvot	122
Määräysten mukainen käyttö.....	122
Kokonaiskuva	123
Laitteet	124
Vaihda paristo	124
Akun kapasiteetin osoitin	125
Pariston heikko merkkivalo.....	125
Kattoasennus	125
Seinäteline ja vihreä kohdelevy	126
Työskentely itsevaaituskäyttötavalla.....	127
Työskentely manuaalikäyttötavalla	128
Luotoiminto	129
Ilmaisin	129
Tarkkuuden tarkastaminen	130

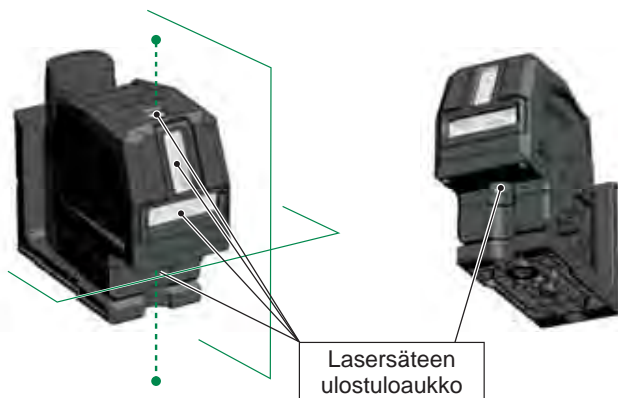
TÄRKEITÄ TURVALLISUUSOHJEITA



HUOMIO! VAROITUS! VAARA!

Älä käytä tuotetta ennen kuin olet tutkinut Turvallisuusohjeet ja Käyttäjän käsikirjan.

Laserluokka



VAROITUS:

Se on Luokan 2 laser-tuote normin EN60825-1:2014 mukaan.



Varoitus:

Älä kohdista lasersädettä suoraan silmiin. Lasersäde voi aiheuttaa vaikeita silmävammoja ja/ tai sokeutumisen.

Älä katso suoraan lasersäteeseen äläkä suuntaa sädettä tarpeettomasti muihin henkilöihin.

Varo! Joissakin sovelluksissa laserin tuottava laite voi olla takanasi. Siinä tapauksessa ole varovainen kääntyessäsi.

Varoitus:

Älä käytä laseria lasten lähettyvillä tai anna lasten käyttää laseria.

Huomio! Heijastava pinta saattaisi heijastaa lasersäteen takaisin käyttäjään tai muihin henkilöihin.

Varoitus: Ohjauslaitteiden, säätöjen tai muiden kuin käsikirjassa määritettyjen prosessien suorittaminen voi altistaa vaaralliselle säteilylle.

Jos laser tuodaan hyvin kylmästä ympäristöstä lämpimään (tai päinvastoin), niin sen täytyy sopeutua ympäristön lämpötilaan ennen käyttöä.

Älä säilytä laseria ulkosalla ja suojaa se töytäisilyltä, jatkuvalta värinältä ja äärimmäisiltä lämpötiloilta.

Suojaa lasermittaria pölyltä, kosteudelta ja suurelta ilmankosteudelta. Se saattaa tuhota laitteen sisäiset osat tai vaikuttaa sen tarkkuuteen.

Jos lasersäde osuu silmiin, sulje silmät ja käännä pää heti säteestä pois päin.

Huolehdi siitä, että lasersäde sijoitetaan niin, ettei se häikäise sinua itseäsi tai muita henkilöitä.

Älä katso lasersäteeseen optisilla suurennuslaitteilla, kuten kiikareilla tai kaukoputkilla. Vakavien silmävammojen vaara pahenee tästä.

Huomioi, että lasersilmälasit auttavat havaitsemaan laserviivat paremmin, mutta eivät suojele silmiä lasersäteiltä.

Laserlaitteeseen olevia varoituskilpiä ei saa poistaa tai niiden luettavuutta heikentää.

Älä pura laseria osiin. Lasersäteily voi aiheuttaa vakavia silmävammoja.

Ennen laserin kuljettamista varmista, että heilurin lukitus on napsahtanut kiinni.

Viite: Jos heilurin lukitus ei ole napsahtanut kiinni, niin laitteen sisäosat voivat vaurioitua kuljetuksen aikana.

Älä käytä mitään syövyttäviä puhdistusaineita tai liuotteita. Puhdista laite vain puhtaalla, pehmeällä rievulla.


Suojaa laseria voimakkailla töytäisilyillä ja putoamisilla. Putoamisen tai voimakkaan mekaanisen iskun jälkeen laitteen tarkkuus tulee tutkia ennen sen käyttöä.


Vain valtuutettu ammattihenkilöstö saa suorittaa tämän laserlaitteen tarvittavat korjaustyöt.

Älä käytä tuotetta räjähdysvaarallisilla alueilla tai aggressiivisissa ympäristöissä.

Jos laitetta ei käytetä pidempään, ota paristot pois paristolokerosta. Näin estät paristojen vuotamisen ja siitä aiheutuvat korroosiovauriot.

 yhjiä paristoja ei saa hävittää talousjätteen mukana. Huolehdi ympäristöstä ja vie ne kansallisten ja paikallisten säännösten mukaisesti järjestettyihin keräyspisteisiin.

 Tuotetta ei saa hävittää kotitalousjätteen mukana. Hävitä laite asianmukaisesti maassasi voimassa olevien säädösten mukaisesti. Noudata kansallisia ja maakohtaisia määräyksiä. Ota yhteyttä paikallisiin viranomaisiin tai kauppiaseesi saadaksesi tietoa hävittämisestä.

 Euroopan säännönmukaisuusmerkki

HUOLTO

Puhdista laserin objektiivi ja kotelo pehmeällä, puhtaalla rievulla. Älä käytä liuotteita. Vaikka laser kestääkin pölyä ja likaa tietyssä määrin, niin sitä ei tule säilyttää pitempään pölyisessä paikassa, koska muuten sen liikkuvat sisäosat voivat vahingoittua. Mikäli laser kastuu, niin se tulee kuivata ennen sen asettamista kantolaukkuun, jotta vältetään ruosteauriot.

TEKNISET ARVOT

Laserluokka	2
Itsevaaitusalue	± 4°
Itsevaaituksen kesto	3 s
Paristotyyppi	Li-Ion
Jännite tasavirta	12V ===
Suojauslaji (roiskevesi ja pöly)	IP54*
Korkeustaso enint.	2000 m
Suhteellinen ilmankosteus enint.	80%
Saastutusaste standardin IEC 61010-1 mukaan	2**
Sykäyksen kesto t_p	≤ 80 μs
Toiminnot	Vaakasuora viiva, pystysuoraa viivaa, ristiviivat, luotitoiminto (2 pistettä)
Taajuus	10 kHz
Heijastukset	2 vihreää viivaa, 2 pistettä vihreä
Diodimäärä	2
Diodityyppi	30 mW
Laserviivojen antokuvio	Yksi vaakatasossa, yksi pystysuora + 2 putkipistettä ylös ja alas, ristisuora + 2 putkipistettä (ylös ja alas).
Käyttöaika	15 tuntia vaihtoakkuineen M12 3.0 Ah
Jalustan kierteet	1/4" / 5/8"
Sopiva havaitsin	Milwaukee LLD50
Laserviiva	
Leveys	< 9,53mm @ 30m
Aallonpituus	510 - 530 nm laserluokka II
Suurin teho	≤ 7 mW
Tarkkuus	+/- 3 mm / 10 m
Aukeamiskulma	pystysuoraa viivaa > 120°; Vaakasuora viiva > 114°
Väri	vihreä
Kantomatka	38 m (havaitsimella 50 m)

Luotipiste	
Laserpisteen aallonpituus	510 - 530 nm laserluokka II
Laserpisteen enimmäisteho	< 1 mW
Luotitarkkuus	+/- 3 mm / 10 m
Laserpisteen väri	vihreä
Kantomatka	30 m
Suosittelun käyttölämpötila	-10 °C ... +40 °C
Säilytyslämpötila	-20 °C ... +50 °C
Suosittelun akkutyypit	M12 B...
Ulottuvuudet	170 mm x 82 mm x 148 mm
Paino (paristojen kera)	1205 g

* Litiumioniakku ja akkulokero eivät kuulu IP54-luokituksen piiriin.

** Esiintyy vain ei-johtavaa saastutusta, joskin silloin tällöin on odotettavissa lauhdeveden aikaansaamaa ohimenevää johtavuutta.

MÄÄRÄYSTEN MUKAINEN KÄYTTÖ

Tuote on suunniteltu ensisijaisesti sisäkäyttöä varten. Ulkotiloissa käytettynä tulee huolehtia siitä, että puiteolosuhteet vastaavat olosuhteita sisätiloissa.

Tämä innovatiivinen laserlaite on suunniteltu laajaa ammattikäyttöaluetta varten, kuten esim.:

- laattojen, marmorilevyjen, kaappien, reunusten, muotokappaleiden ja koristeiden kohdistus
- perusviivojen merkintä ovien, ikkunoiden, kiskojen, portaiden, aitojen, porttien, kuistien ja terassien rakentamista varten.
- vaakasuorien ja pystysuorien viivojen määrittämistä ja tarkastusta varten.
- Laskettujen kattojen ja putkijohtojen vaaitus, ikkunoiden jako ja putkien kohdistus, sähköasennusten suojaympäryseinien vaaitus

Tätä tuotetta saa käyttää vain ohjeiden mukaiseen käyttötarkoitukseen.

Liukupiste

Pystylaserviivaikkuna

Ikkuna vaakasuora laserviiva

Tila-painike

Lyhyt painallus: Valitse laserviivojen välillä:

- vaaka
- pystysuora + putkitoiminto
- ristikkiviivat + plumb toiminto

Pitkä painallus: vaihda normaalitila / virransäästötila

LED-näyttö akun kapasiteetti

20 ° mikrosäätö (+/- 10 ° keskustasta)

Liukupiste

Jalustan kiinnitys 5/8 "

Jalustan kiinnitys 1/4 "

LED-näytön laserviiva

- vaaka
- pystysuora
- + ristisuora

M12 Akku

Merkintä vaakasuuntaiselle lasersäteelle

Pyörivä nappi

- OFF Pois / lukittu
- ON Päällä / manuaalinen tila
- ON Päällä / itsetasointitila

Magneettinen pidike

Kattoasennus



LAITTEET

Lisävarusteet - Ei sisälly vakiovarusteisiin, saatavana lisävarusteina.

Terminaali LM360



Ilmaisain LLD50

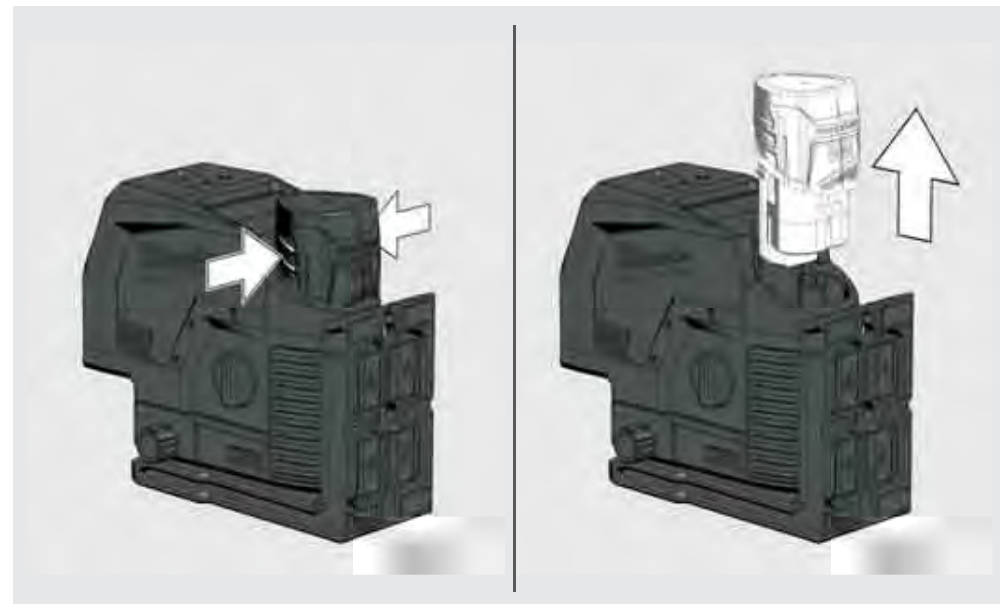
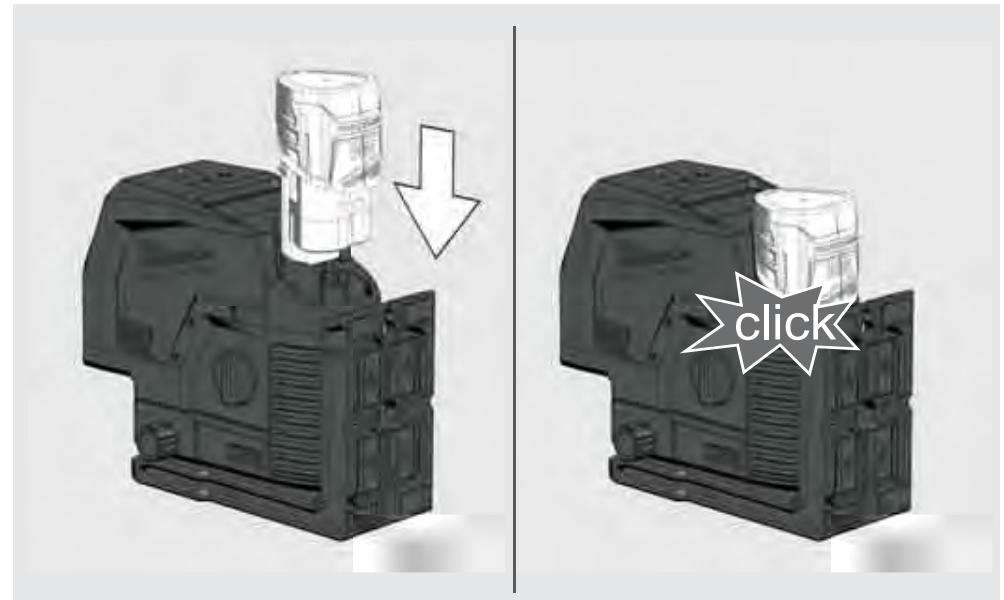


Jalusta TRP180



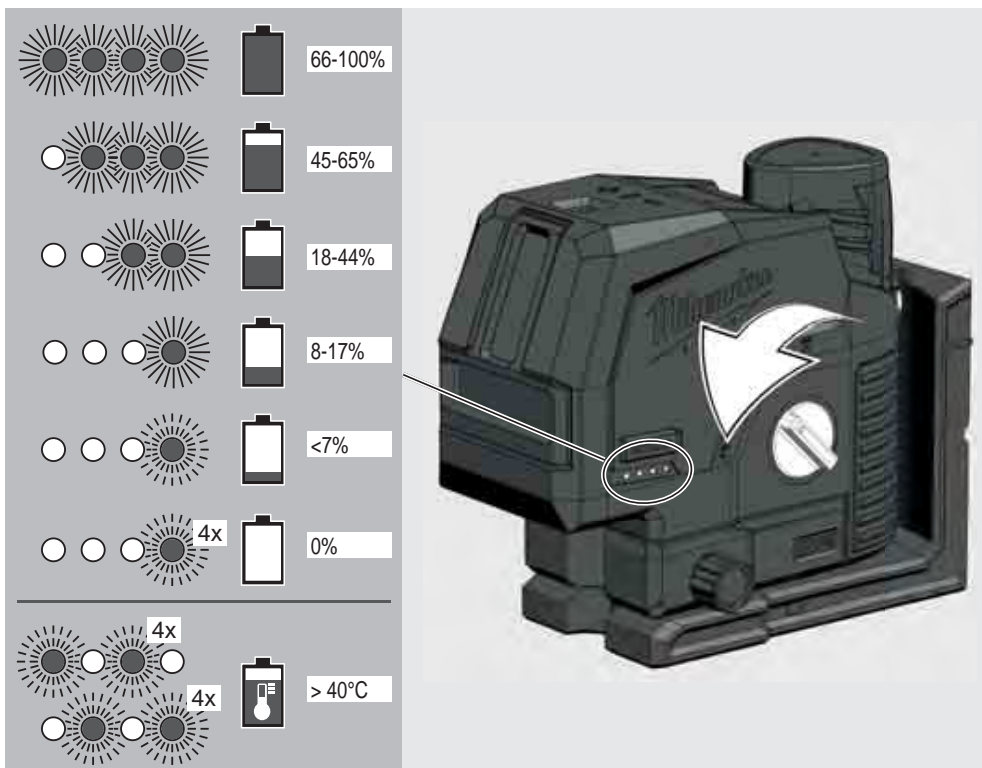
VAIHDA PARISTO

Käytä vain M12-ladattavaa Milwaukee-akkua.



AKUN KAPASITEETIN OSOITIN

Kun laser on kytketty päälle tai pois päältä, polttoainemittari näyttää akun käyttöiän.



PARISTON HEIKKO MERKKIVALO

Kun jännite on alhainen, laser siirtyy energiansäästötilaan.

Laser vilkkuu itsetasaavassa tilassa

4 sek. 1 sek.

Laser vilkkuu manuaalitulassa

8 sek. 1 sek.

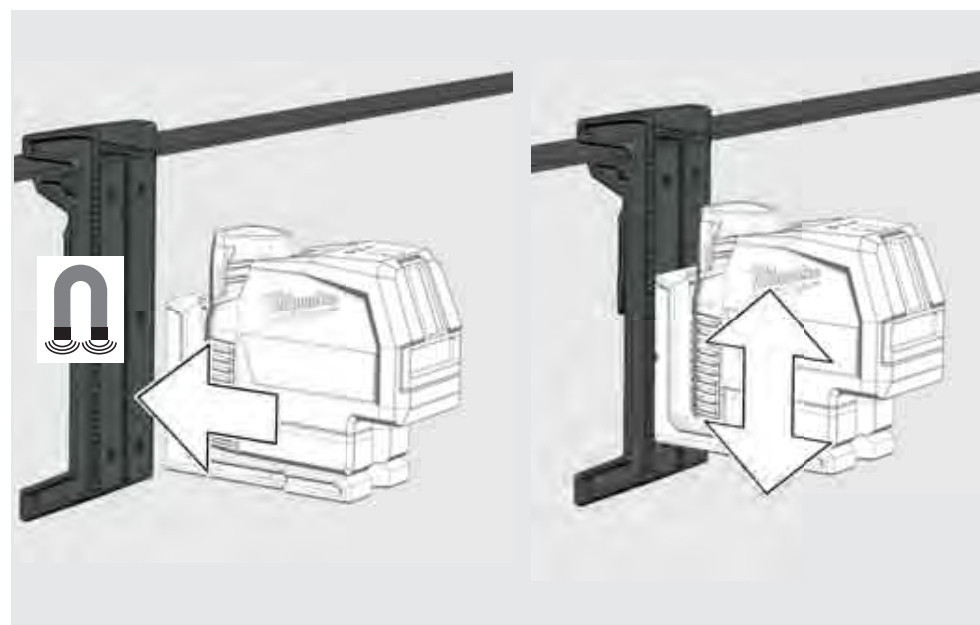
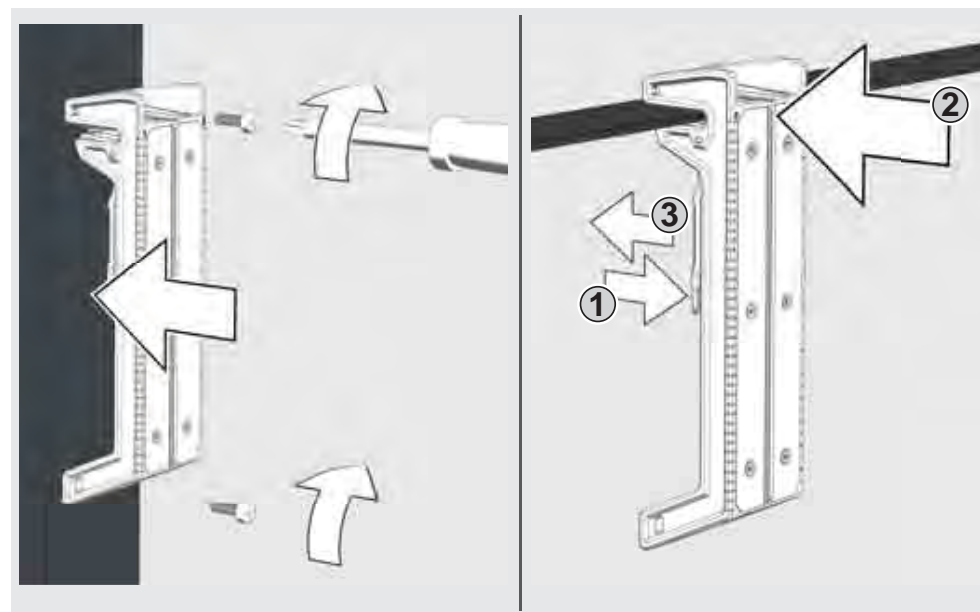
Tästä lähtien on edelleen mahdollista jatkaa työtä.

Kun jännite on alhainen, laser ja LED vilkkuvat neljä kertaa ja sammuvat automaattisesti.

KATTOASENNUS

Kiinnitä raidekiinnike ruuveilla pylväaseen.

Kiinnitä laser kattokanaviin, telineisiin kattokiinnikkeellä ...

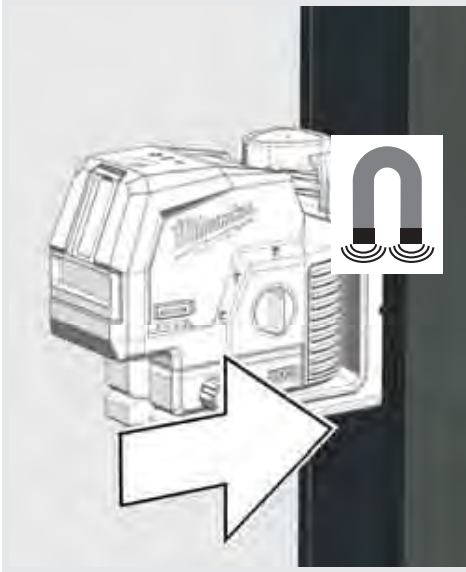


SEINÄTELINE JA VIHREÄ KOHDELEVY

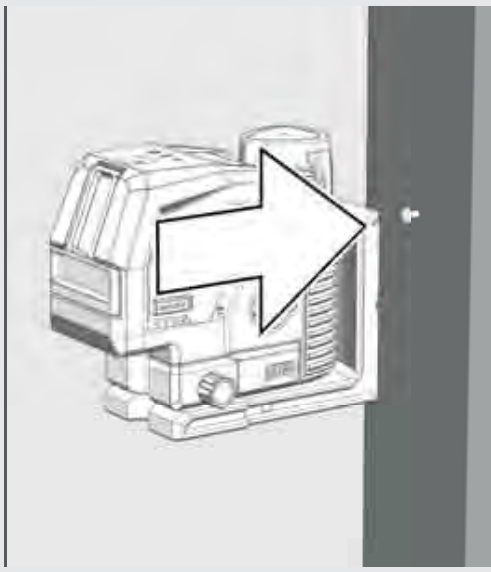
Magneettisella seinäpidikkeellä laserin voi kiinnittää seinille, metallirakenteille tms.

Tai kiinnitä ruuvilla tai naulalla pylvääseen.

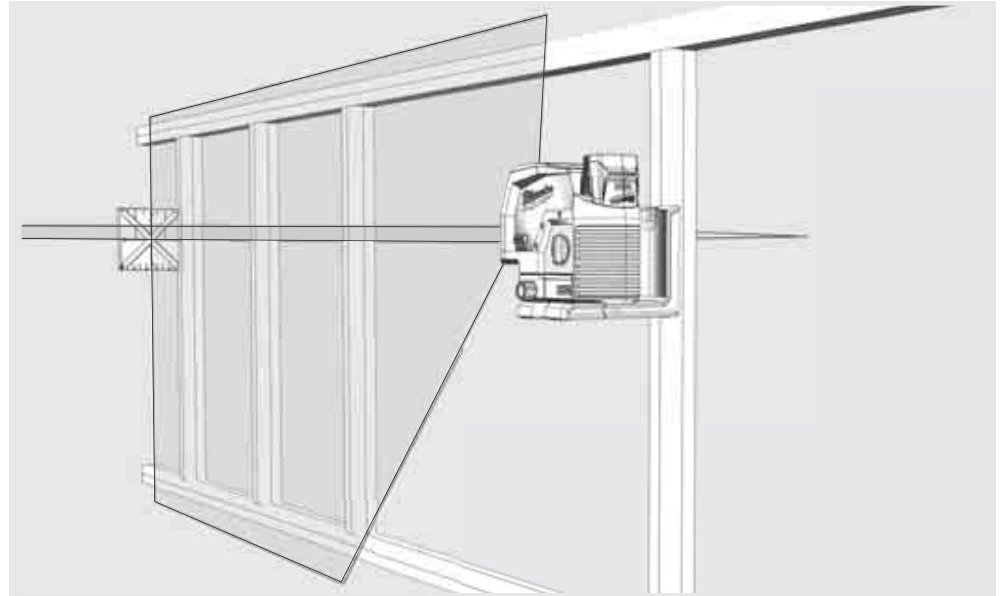
Käytä vihreää kohdelevyä parantaaksesi lasersäteen näkyvyyttä epäsuotuisissa olosuhteissa ja suuremmilla etäisyyksillä.



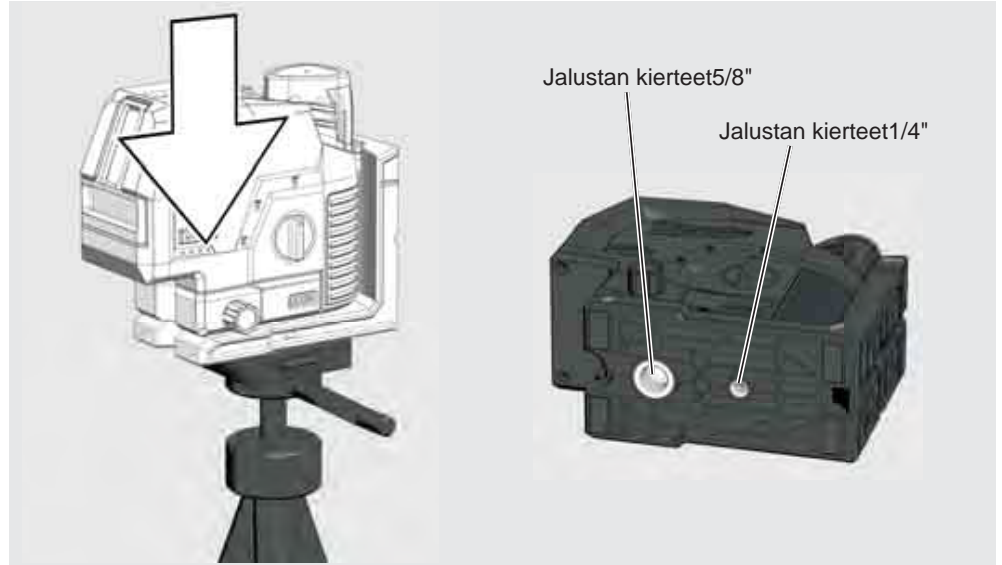
Käännä laseria 360 °.



Käytä säätönuppia 20 ° kääntyvän mikro suunnan säätöön



Kiinnitä laser jalustalle jalustan kiinnikkeellä.

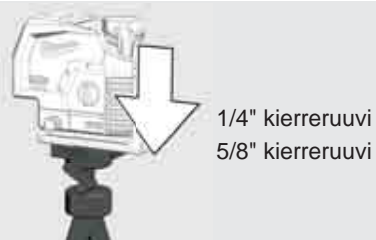


TYÖSKENTELY ITSEVAAITUSKÄYTTÖTAVALLA

Itsevaaituskäyttötavassa laser vaaittaa itsensä itse alueella $\pm 4^\circ$. Tätä varten heijastetaan vaakasuora viiva, pystysuora viiva tai molemmat viivat samanaikaisesti.

1

Aseta laserlaite tukevalle, tasaiselle, tärisevättömälle pohjalle tai asenna se jalustalle.



1/4" kierreruuvi
5/8" kierreruuvi

2

Käännä kiertokytkin asentoon:

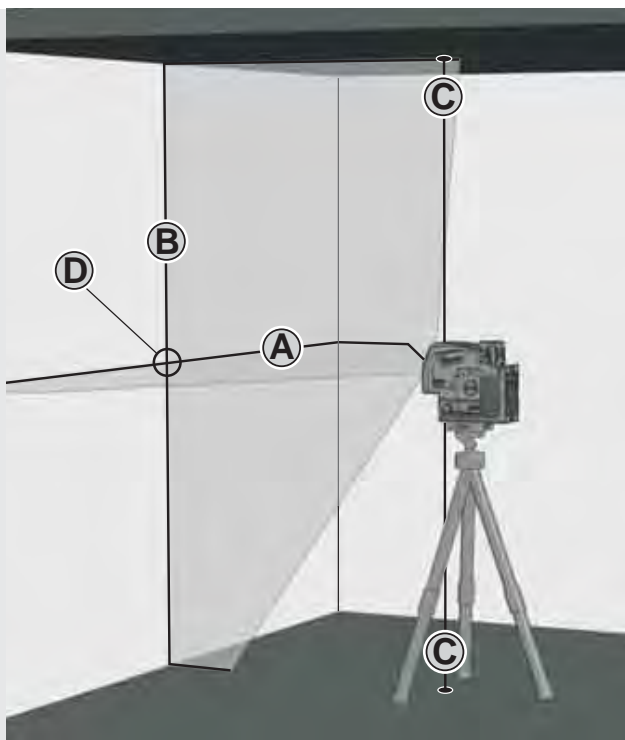


3

Laser luo 2 laserviivaa.

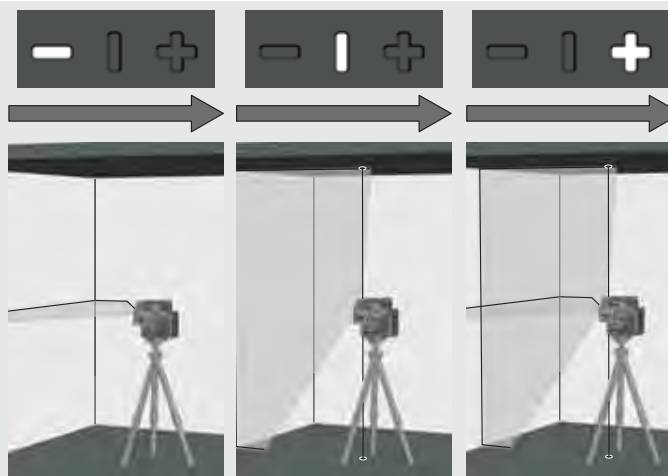
(A) Vaakasuora viiva eteen
(B) Pystysuora viiva eteen
(C) Laserpiste

(D) Kun kaikki viivat on toimennettu, niin laser luo ristiviivat eteenpäin.



4

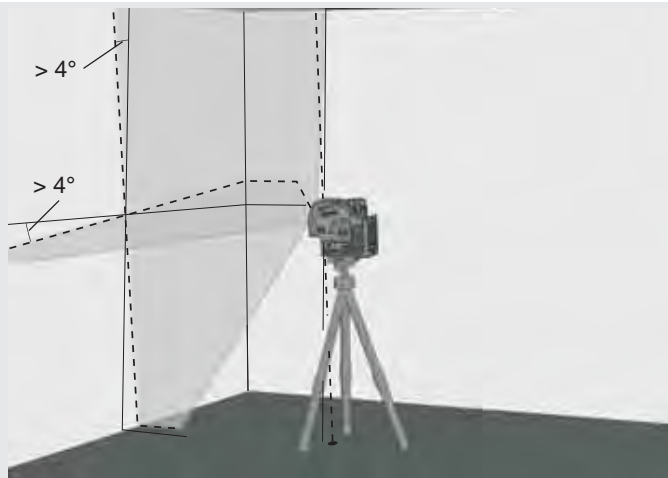
Valitse halutut viivat näppäimellä.



5

Jos laserlaite ei aluksi kohdistu $\pm 4^\circ$ asentoon itsevaaituksen ollessa toimennettuna, niin laserviivat vilkkuvat.

Tässä tapauksessa aseta laser uudelleen paikalleen.



6

Käännä kiertokytkin ennen laserin siirtämistä asentoon **OFF**. Näin lukitset heilurin ja laser on suojattu.



TYÖSKENTELY MANUAALIKÄYTTÖTAVALLA

Manuaalikäyttötavassa itsevaaitustoiminto on kytketty pois ja laserilaite voidaan säätää mihin tahansa haluttuun laserviivojen kallistuskulmaan.

1

Aseta laserilaite tukevalle, tasaiselle, tärisevättömälle pohjalle tai asenna se jalustalle.



2

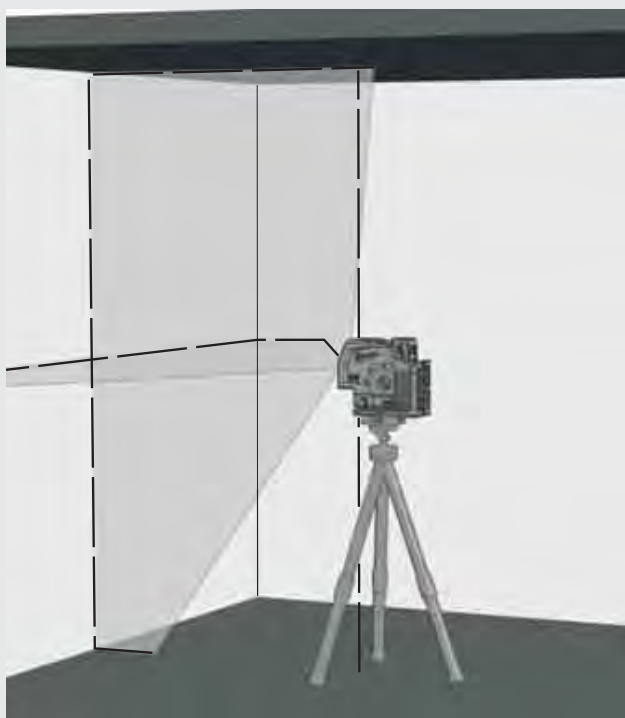
Käännä kiertokytkin asentoon:



3

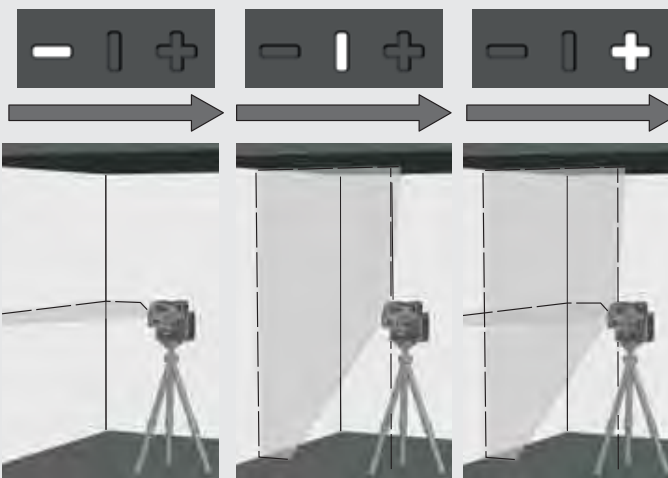
Laserilaite luo 2 laserviivaa kuten itsevaaituskäyttötavalla, mutta ne keskeytyvät 8 sekunnin välein.

8 sek. 8 sek. 8 sek.



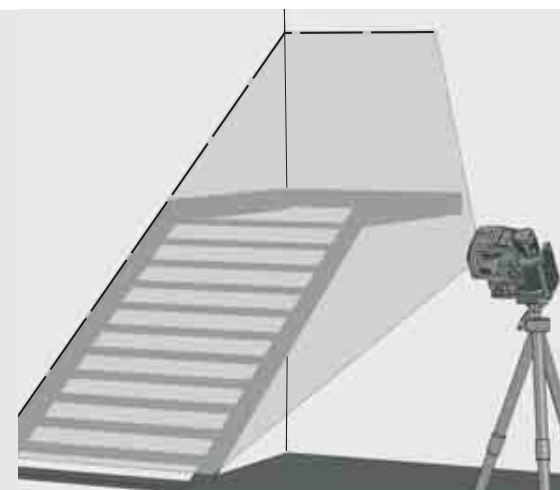
4

Valitse halutut viivat näppäimellä.




5

Säädä laser jalustan avulla halutulle korkeudelle ja kallistuskulmaan.



6

Manuaalilasta poistuminen:

Käännä kiertokytkin asentoon:  ON
tai

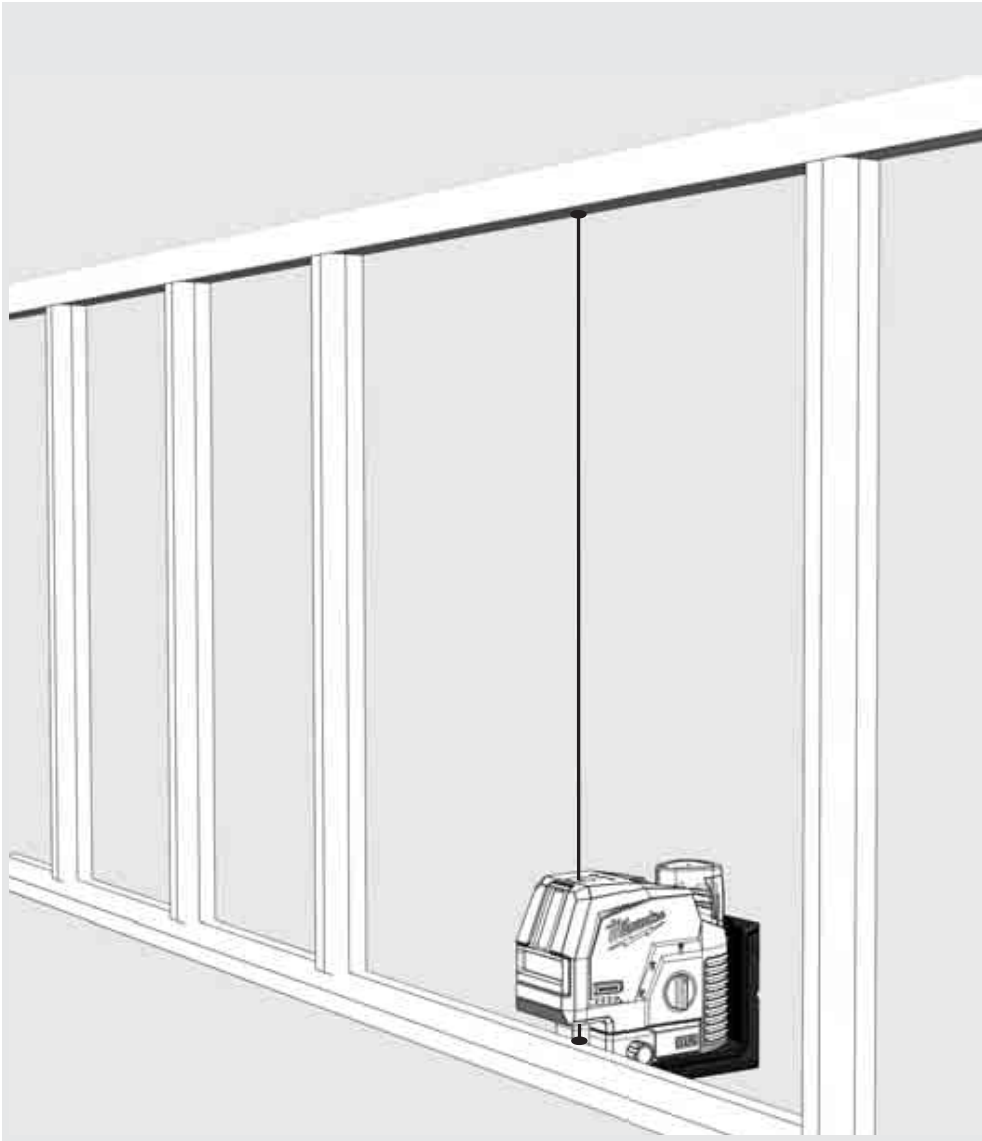
käännä kiertokytkin asentoon:  OFF



LUOTITOIMINTO

Luotitoiminnolla voidaan heijastaa lattiassa oleva piste luotisuoraan kattoon.

Luotitoimintoa käytetään esimerkiksi valaistus- ja ilmastointiasennusten viitepisteen välittämiseksi tai välittämään korkeuksia.

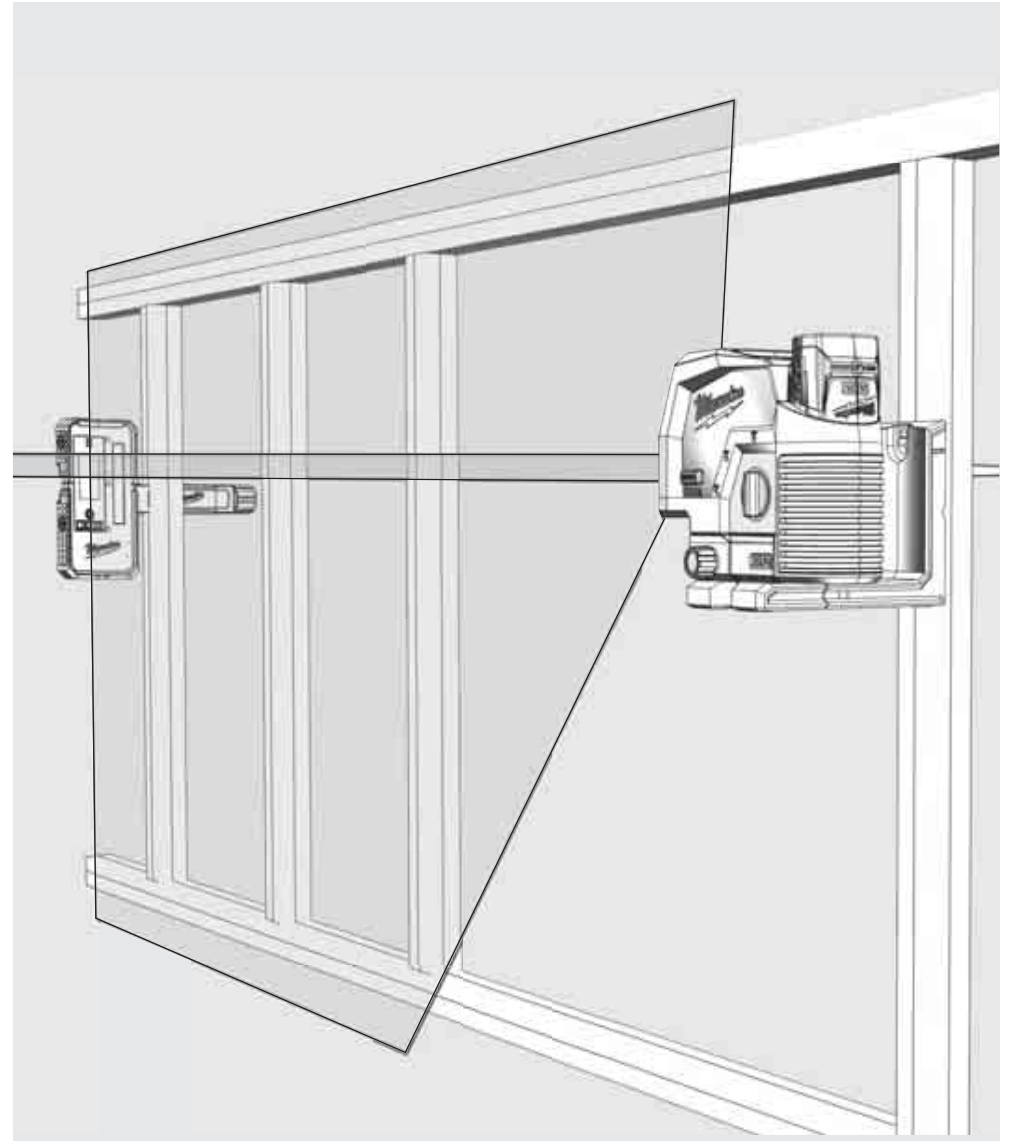


ILMAISIN

Käytä Milwaukee-ilmaisinta ulkotöissä suoran auringonvalon tai valoisissa olosuhteissa ja pidemmissä sisätiloissa, joiden korkeus on enintään 50 metriä.

Havaitsin ei sisälly toimitukseen, vaan se täytyy hankkia erikseen.

Tarkemmat tiedot havaitsimen käytöstä voit lukea havaitsimen käyttöohjeesta.



Laserlaite kalibroidaan tehtaalla kokonaan. Milwaukee suosittelee laserin tarkkuuden tarkastamista säännöllisin väliajoin, erityisesti putoamisen tai virheellisen käytön jälkeen.

Jos suurin sallittu poikkeama ylitetään tarkkuuden tarkastuksessa, pyydämme kääntymään jonkin Milwaukee-palvelupisteemme puoleen (katso takuuehtojen ja palvelupisteiden osoitteiden luettelo).

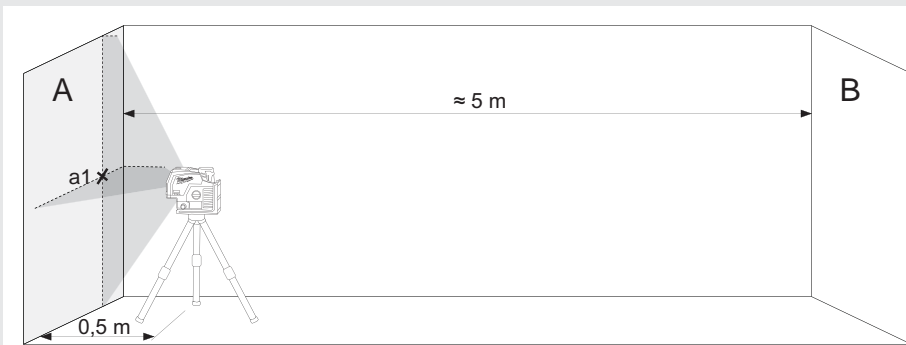
1. Tarkasta vaakasuoran viivan korkeustarkkuus.
2. Tarkasta vaakasuoran viivan vaaitustarkkuus.
3. Tarkasta pystysuoran viivan vaaitustarkkuus.
4. Tarkasta luotitoiminnon tarkkuus.

Ennen tarkkuuden tarkastamista laserlaitteen ollessa asennettuna jalustalle tulee tarkastaa jalustan vaaitus.

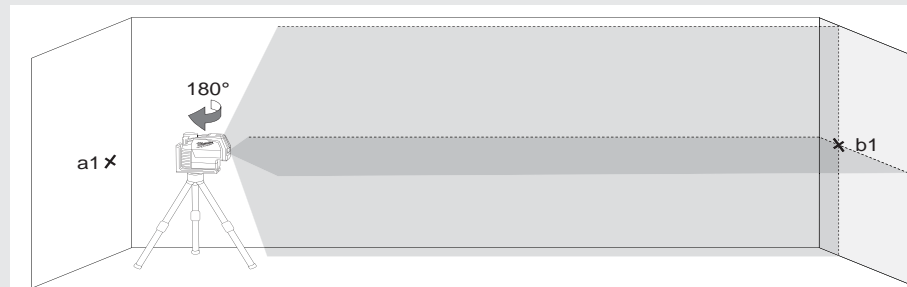


1 VAAKASUORAN VIIVAN KORKEUSTARKKUUDEN TARKASTUS (POIKKEAMA YLÖS JA ALAS)

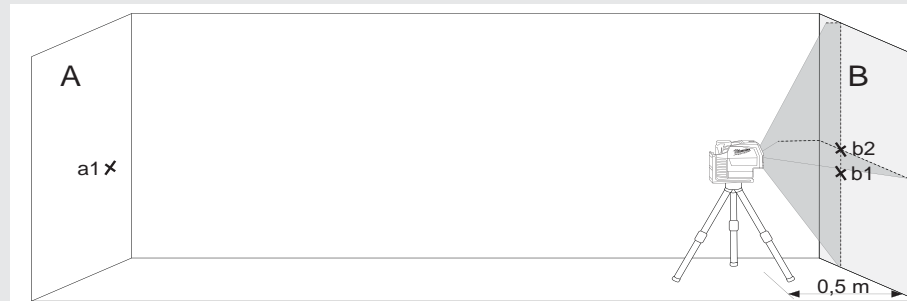
1. Sijoita laserlaite jalustalle tai tasaiselle pohjalle kahden toisistaan noin 5 m:n päässä olevan seinän A ja B väliin.
2. Asenna laser n. 0,5 m:n päähän seinästä A.
3. Kytke itsevaaituskäyttötapa päälle ja paina näppäintä, jotta seinälle A heijastetaan vaakasuora ja pystysuora viiva.
4. Merkitse molempien viivojen leikkauspiste seinään A pisteinä a1.



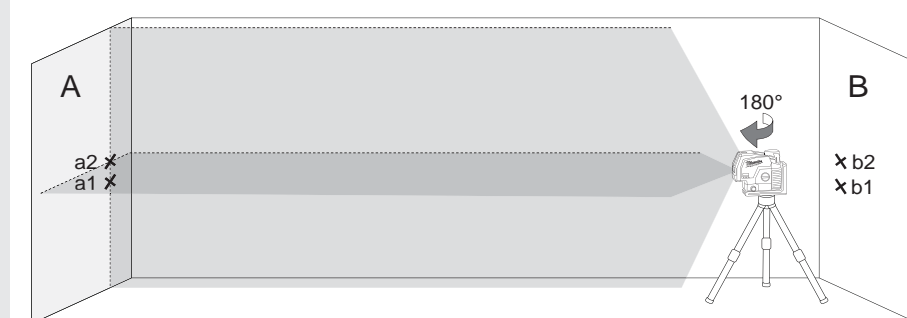
5. Käännä laserlaitetta 180° seinään B päin ja merkitse molempien viivojen leikkauspiste seinään B pisteinä b1.



6. Asenna laser n. 0,5 m:n päähän seinästä B.
7. Merkitse molempien viivojen leikkauspiste seinään B pisteinä b1.



8. Käännä laserlaitetta 180° seinään A päin ja merkitse molempien viivojen leikkauspiste seinään A pisteinä a2.



9. Välimatkojen mittaus:

$$\Delta a = |a2 - a1|$$

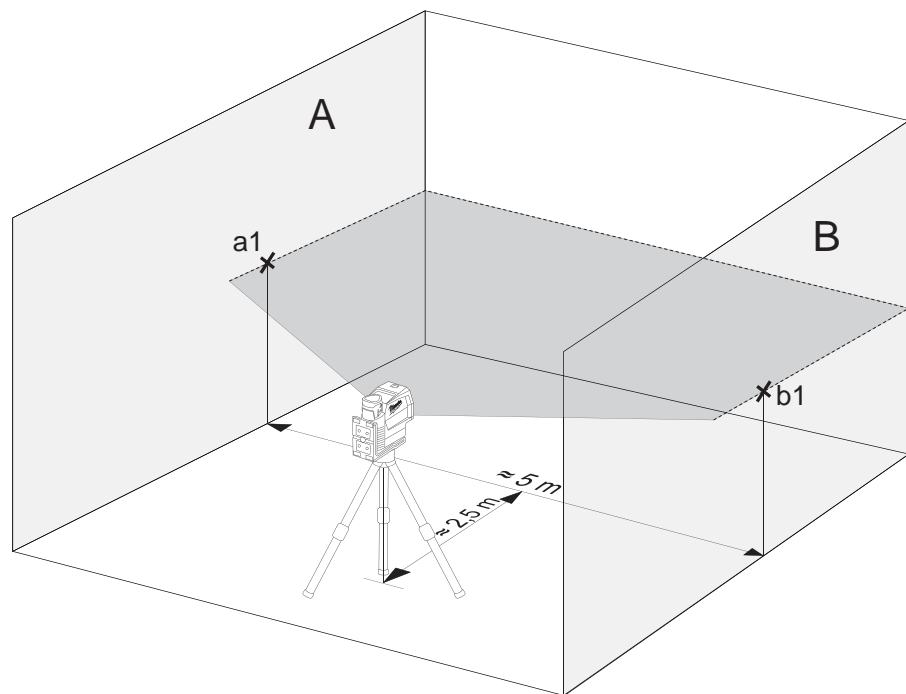
$$\Delta b = |b1 - b2|$$

10. Erotus $|\Delta a - \Delta b|$ ei saa olla suurempi kuin 2 mm.

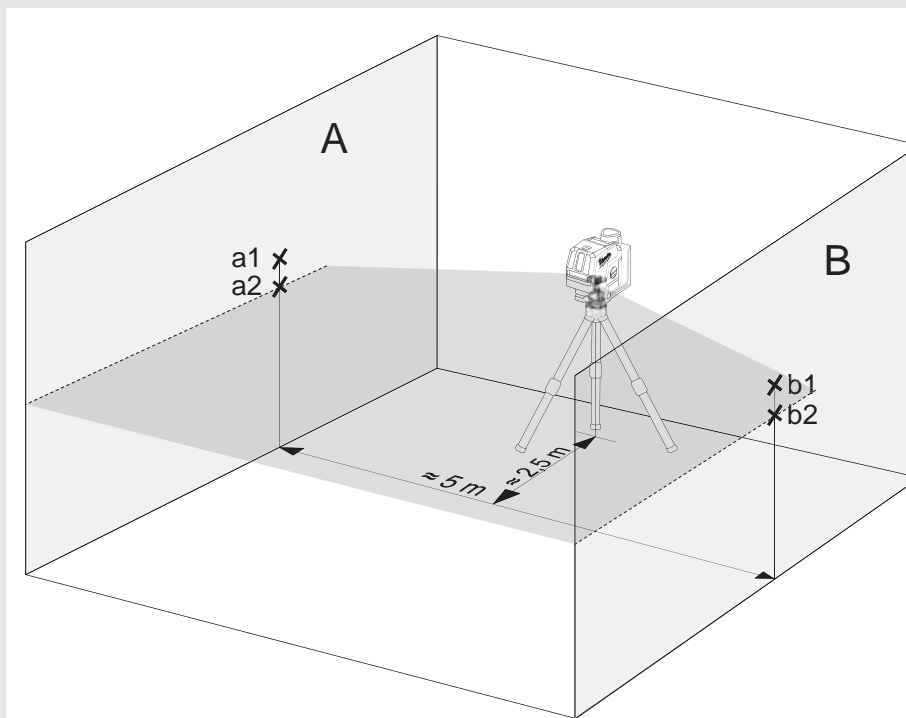
2 VAAKASUORAN VIIVAN VAAITUSTARKKUUDEN TARKASTUS (POIKKEAMA YHDELTÄ SIVULTA TOISELLE)

Tätä tarkastusta varten tarvitaan tyhjä alue kooltaan n. 5 x 5 m.

1. Sijoita laserlaite jalustalle tai kiinteälle pohjalle kahden toisistaan noin 5 m:n päässä olevan seinän A ja B väliin.
2. Asenna laser n. 2,5 m:n päähän tilan keskikohdasta.
3. Kytke itsevaaituskäyttötapa päälle ja paina näppäintä, jotta seinille A ja B heijastetaan vaakasuora viiva.
4. Merkitse laserviivan keskikohta seinään A pisteinä a1 ja seinään B pisteinä b1.



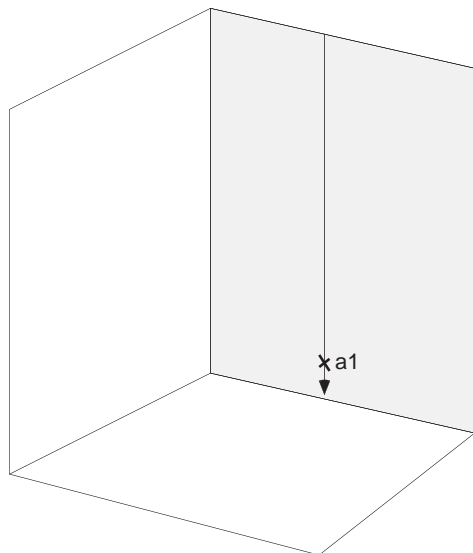
5. Siirrä laserlaitetta n. 5 m:n verran ja käännä se 180° ja heijasta vaakasuora viiva uudelleen seinille A ja B.
6. Merkitse laserviivan keskikohta seinään A pisteinä a2 ja seinään B pisteinä b2.



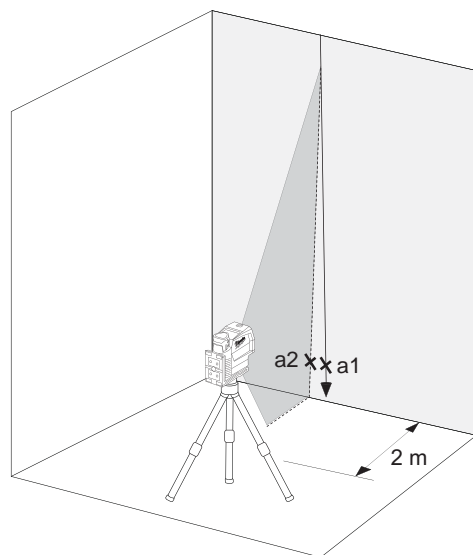
7. Välimatkojen mittaus:
 $\Delta a = |a2 - a1|$
 $\Delta b = |b1 - b2|$
8. Erotus $|\Delta a - \Delta b|$ ei saa olla suurempi kuin 2 mm.

3 PYSTYSUORAN VIIVAN VAAITUSTARKKUUDEN TARKASTUS

1. Ripusta n. 4 m:n mittainen luotinuora yhdelle seinälle.
2. Kun luodin heilahtelu on päättynyt, merkitse piste a1 lyijyluodin yläpuolelle seinään.



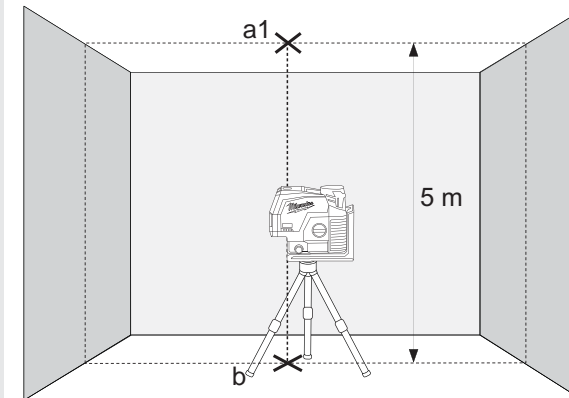
3. Sijoita laserlaite jalustalle tai tasaiselle pohjalle n. 2 m:n päähän seinästä.
4. Kytke itsevaaituskäyttötapa päälle ja paina näppäintä, jotta luotinuoralle heijastetaan pystysuora viiva.
5. Käännä laseria niin, että pystysuora viiva on samalla kohdalla kuin luotinuoran ripustus.
6. Merkitse piste a2 seinään pystysuoran viivan keskikohdalle samalle korkeudelle kuin a1.
7. Pisteiden a1 ja a2 välimatka ei saa olla suurempi kuin 1 mm.



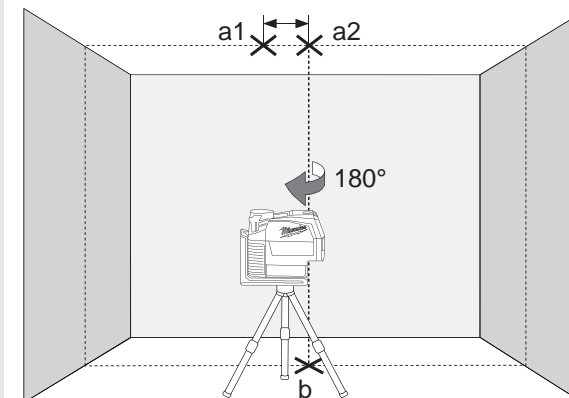
4 LUOTITOIMINNON TARKKUUDEN TARKASTUS

Tätä tarkastusta varten tarvitaan huone, jonka katto on n. 5 m:n korkeudella.

1. Asenna ristilaseri jalustalle.
2. Kytke itsetasaaajuustila päälle ja siirry pulleaan toimintaan painamalla painiketta.
3. Merkitse kattojen ylempi pohjapiste pisteeksi a1 (katso kuvaa).
4. Merkitse lattian alempi piste pisteeksi b.



5. Käännä laser 180° ja sijoita se niin, että luotipisteen keskikohta osuu jo merkittyyn pisteeseen b, ja odota, kunnes laite on vaaitettu.
6. Merkitse kattojen ylempi pohjapiste pisteeksi a1 (katso kuvaa).
7. Pisteiden a1 ja a2 välimatka ilmoittaa, miten suuresti laserviiva poikkeaa ihanteellisesta luotisuorasta. 5 m:n mittaussuoralla suurin sallittu poikkeama on: $5 \text{ m} \times (\pm 0,6 \text{ mm/m}) \times 2 = \pm 6 \text{ mm}$.
8. Pisteiden a1 ja a2 välimatka ei saa olla suurempi kuin 6 mm.



ΠΕΡΙΕΧΟΜΕΝΟ

Σημαντικές οδηγίες ασφαλείας	133
Συντήρηση	134
Τεχνικά στοιχεία	134
Προβλεπόμενη χρήση	134
Συνοπτική εικόνα	135
Εξοπλισμός	136
Αλλαγή μπαταρίας	136
Ένδειξη χωρητικότητας μπαταρίας	137
Ένδειξη χαμηλής μπαταρίας	137
Στερέωση οροφής	137
Βάση τοίχου & πράσινη πλάκα στόχου	138
Εργασία στη λειτουργία αυτοχωροστάθμησης.....	139
Εργασία στη χειροκίνητη λειτουργία	140
Λειτουργία αλφαδιού.....	141
Ανιχνευτής	141
Έλεγχος ακρίβειας.....	142

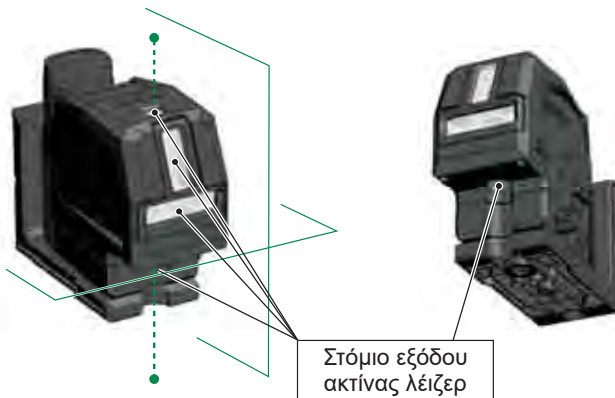
ΣΗΜΑΝΤΙΚΕΣ ΟΔΗΓΙΕΣ ΑΣΦΑΛΕΙΑΣ



ΠΡΟΣΟΧΗ! ΠΡΟΕΙΔΟΠΟΙΗΣΗ! ΚΙΝΔΥΝΟΣ!

Μη χρησιμοποιήσετε το προϊόν χωρίς πρώτα να διαβάσετε τις Οδηγίες ασφαλείας και το Εγχειρίδιο χρήσης.

Κατηγορία Laser



ΠΡΟΕΙΔΟΠΟΙΗΣΗ:

Πρόκειται για ένα προϊόν λέιζερ Κλάσης 2 σύμφωνα με το πρότυπο EN60825-1:2014 .



Προειδοποίηση:

Μην εκθέτετε τα μάτια σας άμεσα στην ακτίνα του λέιζερ. Η ακτίνα του λέιζερ μπορεί να προκαλέσει σοβαρές οφθαλμικές βλάβες ή/και τύφλωση.

Μην κοιτάζετε άμεσα προς την ακτίνα του λέιζερ και μην στρέψετε την ακτίνα άσκοπα προς άλλα άτομα.

Προσοχή! Σε ορισμένες εφαρμογές μπορεί να βρίσκεται η συσκευή εκπομπής λέιζερ πίσω σας. Σ' αυτή την περίπτωση να στρέψετε το βλέμμα σας προσεκτικά.

Προειδοποίηση:

Μη χρησιμοποιείτε το λέιζερ κοντά σε παιδιά και μην αφήνετε παιδιά να το χρησιμοποιούν.

Προσοχή! Η ακτίνα laser μπορεί να ανανακλασθεί πάνω σε μια ανακλώσα επιφάνεια πίσω στον χειριστή ή σε άλλα πρόσωπα.

Προσοχή: Η χρήση στοιχείων ελέγχου και ρυθμίσεως ή η εκτέλεση διεργασιών άλλων από αυτές που ορίζονται στο εγχειρίδιο χρήσης μπορεί να οδηγήσουν σε επικίνδυνη έκθεση σε ακτινοβολία.

Εάν μεταφερθεί το λέιζερ από ένα πολύ κρύο σε ένα ζεστό περιβάλλον (ή αντίστροφα), τότε πρέπει αυτό να αποκτήσει τη θερμοκρασία περιβάλλοντος πριν από τη χρήση.

Μη διαφυλάσσετε το λέιζερ στο ύπαιθρο και να το προστατεύετε από κρούσεις, συνεχείς δονήσεις και ακραίες θερμοκρασίες.

Προφυλάξτε την συσκευή μέτρησης αποστάσεως με ακτίνα laser από σκόνη, υγρασία και υψηλή ατμοσφαιρική υγρασία. Κάτι τέτοιο μπορεί να καταστρέψει εξαρτήματα στο εσωτερικό της ή να επηρεάσει την ακρίβεια μέτρησης.

Σε περίπτωση που η δέσμη του λέιζερ πετύχει το μάτι, κλείστε τα μάτια σας και στρέψτε αμέσως το κεφάλι σας μακριά από την ακτίνα.

Προσέχετε να τίθεται η ακτίνα του λέιζερ έτσι, ώστε να μη θαμπώνετε εσείς ή να θαμπώνονται άλλα άτομα απ' αυτή.

Μην κοιτάζετε απευθείας προς την ακτίνα λέιζερ με οπτικές, μεγεθυντικές συσκευές, όπως διόπτρες ή τηλεσκόπια.

Διαφορετικά αυξάνεται ο κίνδυνος σοβαρών, οφθαλμικών βλαβών.

Λαμβάνετε υπόψη σας, ότι τα γυαλιά παρατήρησης του λέιζερ βοηθούν μεν στη διάκριση των γραμμών λέιζερ, αλλά δεν προστατεύουν τα μάτια από τη δέσμη του λέιζερ.

Οι προειδοποιητικές πινακίδες πάνω στη συσκευή λέιζερ δεν επιτρέπεται να απομακρύνονται ή να καθίστανται μη αναγνώσιμες.

Μην αποσυναρμολογείτε το λέιζερ. Η δέσμη του λέιζερ μπορεί να προκαλέσει σοβαρούς τραυματισμούς των οφθαλμών.

Πριν από τη μεταφορά να ελέγχετε αν έχει εμπλακεί η μανδάλωση του εκκρεμούς.

Υπόδειξη: Σε περίπτωση μη εμπλοκής τής μανδάλωσης εκκρεμούς θα μπορούσαν κατά τη μεταφορά να προκληθούν ζημιές στο εσωτερικό τής συσκευής.

Μην χρησιμοποιείτε δραστικά απορρυπαντικά ή διαλυτικά. Καθαρίστε την συσκευή μόνο με ένα καθαρό και μαλακό πανί.

Να προστατεύετε το λέιζερ από σφοδρές προσκρούσεις και πτώσεις. Μετά από μίαν πτώση ή έντονες μηχανικές επιδράσεις πρέπει να ελέγχεται η ακρίβεια της συσκευής πριν από τη χρήση.

Απαιτούμενες εργασίες επισκευής στην συσκευή laser επιτρέπεται να διενεργούνται μόνο από εξουσιοδοτημένο ειδικευμένο προσωπικό.

Μη χρησιμοποιείτε το προϊόν σε περιοχές που ενέχουν κίνδυνο έκρηξης ή σε επιθετικά περιβάλλοντα.

Σε περίπτωση που δεν θα χρησιμοποιηθεί η συσκευή μακρόχρονα, να αφαιρούνται οι μπαταρίες από την υποδοχή τής συστοιχίας. Έτσι αποτρέπεται η εκροή υγρών μπαταρίας και οι συνδεδεμένες μ' αυτή ζημιές από διάβρωση.



Οι άδειες μπαταρίες δεν πρέπει να απορρίπτονται μαζί με τα οικιακά απορρίμματα. Φροντίστε το περιβάλλον και μεταφέρετέ τις σε σημεία αποκομιδής σύμφωνα με τους εθνικές ή τοπικές κανονισμούς. Το προϊόν δεν πρέπει να απορρίπτεται μαζί με τα οικιακά απορρίμματα. Φροντίστε για την κατάλληλη απόρριψη του προϊόντος σύμφωνα με τις εθνικές διατάξεις που ισχύουν στη χώρα σας. Τηρείτε τις εθνικές διατάξεις διάθεσης απορριμμάτων.

Απευθυνθείτε στις τοπικές δημόσιες υπηρεσίες ή στον έμπορο για να πληροφορηθείτε σχετικά με την απόρριψη.



Ευρωπαϊκό σήμα πιστότητας

ΣΥΝΤΗΡΗΣΗ

Να καθαρίζετε τον αντικειμενικό φακό και το περίβλημα του λέιζερ μ' ένα καθαρό, μαλακό πανί. Μη χρησιμοποιείτε διαλύτες.

Παρ' ότι δεν επηρεάζεται το λέιζερ από σκόνη και ρύπους, μέχρι έναν ορισμένο βαθμό, δεν θα έπρεπε να το διαφυλάσσετε σ' ένα σκονισμένο χώρο, διαφορετικά θα μπορούσαν να υποστούν ζημιά κινητά εξαρτήματα στο εσωτερικό τής συσκευής.

Εάν βραχεί το λέιζερ, τότε να το στεγνώνετε πριν την τοποθέτηση στη θήκη μεταφοράς, ώστε να μην προκύπτουν φθορές λόγω σκουριάς.

ΤΕΧΝΙΚΑ ΣΤΟΙΧΕΙΑ

Κατηγορία λέιζερ	2
Περιοχή αυτοχωροστάθμησης	$\pm 4^\circ$
Διάρκεια αυτοχωροστάθμησης	3 s
Τύπος μπαταρίας	Li-Ion
Τάση DC	12V ===
Είδος προστασίας (σκόνη και πιπίλισμα)	IP54*
Μέγ. υψόμετρο	2000 m
Μέγ., σχετική υγρασία ατμόσφαιρας	80%
Βαθμός ρύπανσης κατά IEC 61010-1	2**
Διάρκεια παλμού t_p	$\leq 80 \mu s$
Λειτουργίες	οριζόντια γραμμή, κάθετες γραμμές, σταυρωτές γραμμές, λειτουργία αλφαδιού (2 πόντοι)
Συχνότητα	10 kHz
Προβολές	2 πράσινες γραμμές, 2 βαθμοί πράσινο
Ποσότητα διόδων	2
Τύπος διόδων	30 mW
Πρότυπο εξαγόμενης γραμμής λέιζερ	Μονή οριζόντια, μονή κάθετη + 2 υδραυλικές κουκκίδες πάνω και κάτω, διασταυρούμενη γραμμή + 2 υδραυλικές κουκκίδες (πάνω και κάτω).
Χρόνος λειτουργίας	15 ώρες με ανταλλακτική μπαταρία M12 3.0 Ah
Σπείρωμα τριπόδου	1/4" / 5/8"
Κατάλληλος ανιχνευτής	Milwaukee LLD50

Γραμμή λέιζερ	Πλάτος < 9,53mm @ 30m Μήκος κυμάτων 510 - 530 nm κατηγορία λέιζερ II Μέγιστη απόδοση $\leq 7 \text{ mW}$ Ακρίβεια $\pm 3 \text{ mm} / 10 \text{ m}$ Γωνία ανοίγματος κάθετες γραμμές > 120°; οριζόντια γραμμή > 114° Χρώμα πράσινο Εμβέλεια 38 μ (με ανιχνευτή 50 μ)
Αλφαδιά	Μήκος κυμάτων κουκκίδας λέιζερ 510 - 530 nm κατηγορία λέιζερ II Μέγ. ισχύς κουκκίδας λέιζερ < 1 mW Ακρίβεια αλφαδιού $\pm 3 \text{ mm} / 10 \text{ m}$ Χρώμα κουκκίδας λέιζερ πράσινο Εμβέλεια 30 m
Συνιστώμενη θερμοκρασία λειτουργίας	-10 °C έως +40 °C
Θερμοκρασία αποθήκευσης	-20 °C έως +50 °C
Συνιστώμενοι τύποι συσσωρευτών	M12 B...
Διαστάσεις	170 mm x 82 mm x 148 mm
Βάρος (συμπ. μπαταριών)	1205 g

* Η επαναφορτιζόμενη μπαταρία ιόντων λιθίου και η θήκη της δεν έχουν προστασία IP54.

** Παρουσιάζεται μόνο μια μη αγωγή ρύπανση, εν τούτοις αναμένεται περιστασιακά και μια παρερχόμενη, μέσω τήξης προκαλούμενη αγωγιμότητα.

ΠΡΟΒΛΕΠΟΜΕΝΗ ΧΡΗΣΗ

"Το προϊόν προορίζεται κυρίως για τη χρήση σε εσωτερικούς χώρους. Κατά τη χρήση στο ύπαιθρο πρέπει να αντιστοιχούν οι συνθήκες σ' αυτές που υπάρχουν σε εσωτερικούς χώρους."

Αυτό το καινοτομικό λέιζερ έχει σχεδιαστεί για έναν ευρύ, επαγγελματικό τομέα εφαρμογών, όπως π.χ.:

- ευθυγράμμιση πλακακιών, μαρμάρινων πλακών, ντουλαπών, μπορντούρων, χυτευμένων υλικών και ειδών διακόσμησης
- σημάδεμα γραμμών βάσης για την τοποθέτηση θυρών, παραθύρων, σιδηροτροχιών, σκαλοπατιών, περιφράξεων, πυλών, βεραντών και περγκολών.
- Για τον καθορισμό και έλεγχο οριζόντιων και κάθετων γραμμών.
- Χωροστάθμηση ψευδοροφών και σωληναγωγών, κατανομή παραθύρων και προσανατολισμός σωλήνων, χωροστάθμηση ερμαριών για ηλεκτρικές εγκαταστάσεις

Αυτό το προϊόν επιτρέπεται να χρησιμοποιείται μόνο για την προβλεπόμενη χρήση που αναφέρεται.

Υδραυλικό σημείο

Παράθυρο κάθετης γραμμής λέιζερ

Παράθυρο οριζόντιας γραμμής λέιζερ

Κουμπί λειτουργίας

Σύντομο πάτημα: Επιλέξτε ανάμεσα σε γραμμές λέιζερ:

- οριζόντια
- κάθετη + λειτουργία υδραυλικού
- διαγώνιες γραμμές + λειτουργία υδραυλικού

Πατήστε παρατεταμένα: εναλλαγή κανονικής λειτουργίας / λειτουργίας εξοικονόμησης ενέργειας

Οθόνη LED χωρητικότητα μπαταρίας

Μικρή ρύθμιση 20° (+/- 10° από το κέντρο)

Υδραυλικό σημείο

Βάση τρίποδου 5/8"

Βάση τρίποδου 1/4"

Γραμμή λέιζερ οθόνης LED

- οριζόντια
- κάθετη
- + διαγώνια γραμμή

M12 Μπαταρία

Σήμανση για την οριζόντια ακτίνα λέιζερ

Περιστροφικό κουμπί

- OFF Απενεργοποιημένο / κλειδωμένο
- ON Ενεργοποίηση / χειροκίνητη λειτουργία
- ON (with lock icon) λειτουργία / αυτοεπιπεδούμενο

Μαγνητική βάση

Στερέωση οροφής



ΕΞΟΠΛΙΣΜΟΣ

Αξεσουάρ - Δεν περιλαμβάνονται στον βασικό εξοπλισμό, διατίθεται ως αξεσουάρ.

Τερματικό LM360



Ανιχνευτής LLD50

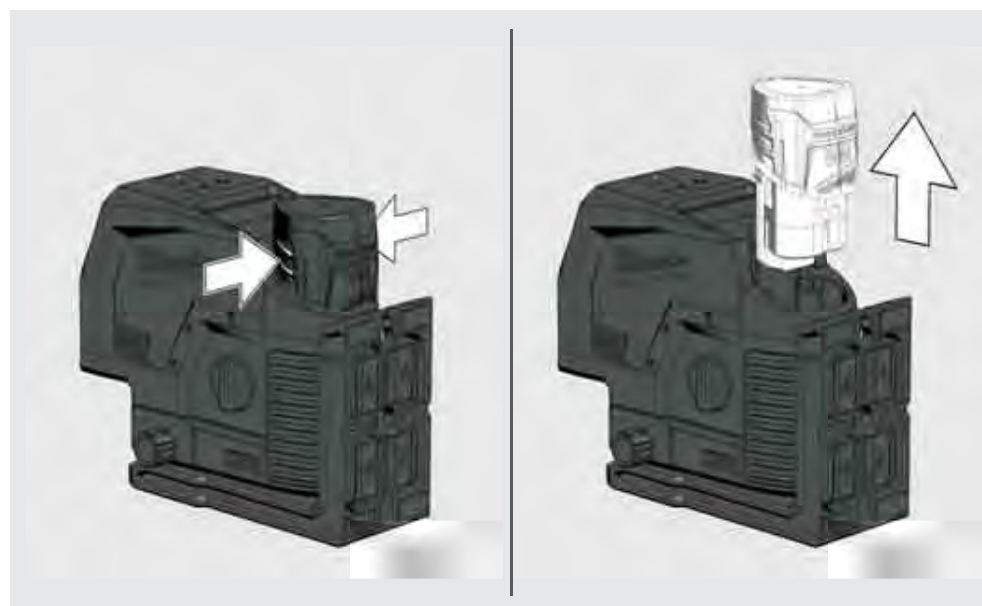
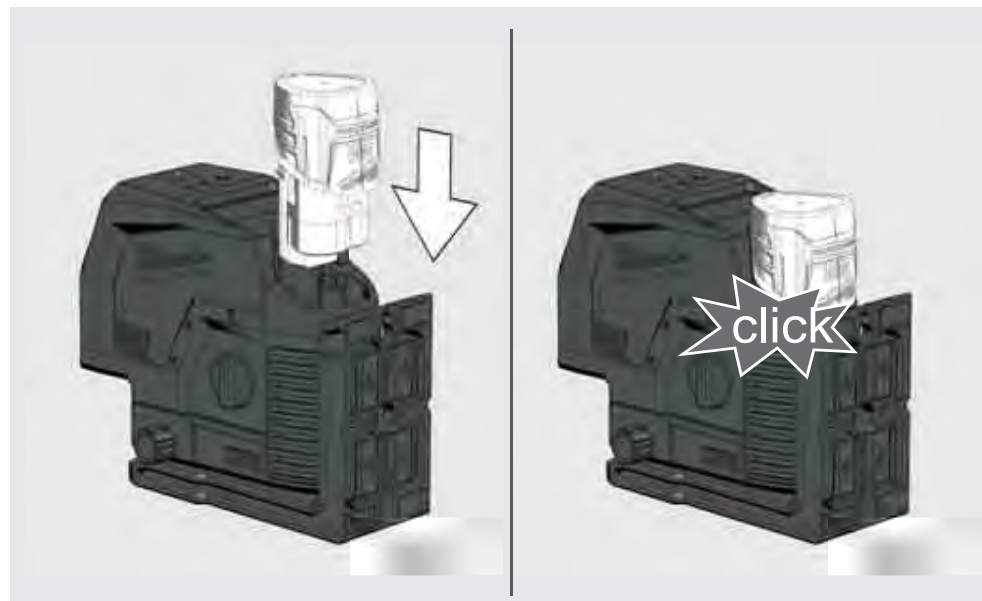


Τρίποδο TRP180



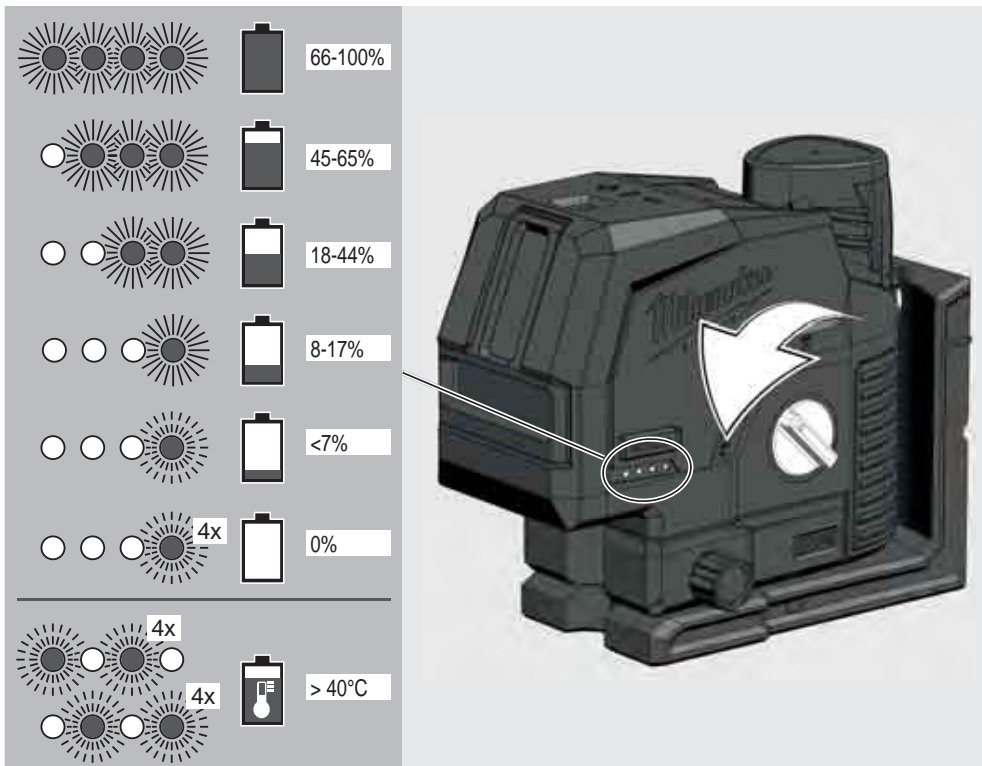
ΑΛΛΑΓΗ ΜΠΑΤΑΡΙΑΣ

Χρησιμοποιήστε μόνο μια επαναφορτιζόμενη μπαταρία Μιλγουόκι Μ12.



ΕΝΔΕΙΞΗ ΧΩΡΗΤΙΚΟΤΗΤΑΣ ΜΠΑΤΑΡΙΑΣ

Αφού ενεργοποιήσετε ή απενεργοποιήσετε το λέιζερ, ο μετρητής καυσίμου θα εμφανίσει τη διάρκεια ζωής της μπαταρίας.



ΕΝΔΕΙΞΗ ΧΑΜΗΛΗΣ ΜΠΑΤΑΡΙΑΣ

Όταν η τάση είναι χαμηλή, το λέιζερ μεταβαίνει σε λειτουργία εξοικονόμησης ενέργειας. Το λέιζερ αναβοσβήνει σε λειτουργία αυτοεπιπέδωσης

4 δευτ. 1 δευτ.

Το λέιζερ αναβοσβήνει σε χειροκίνητη λειτουργία

8 δευτ. 1 δευτ.

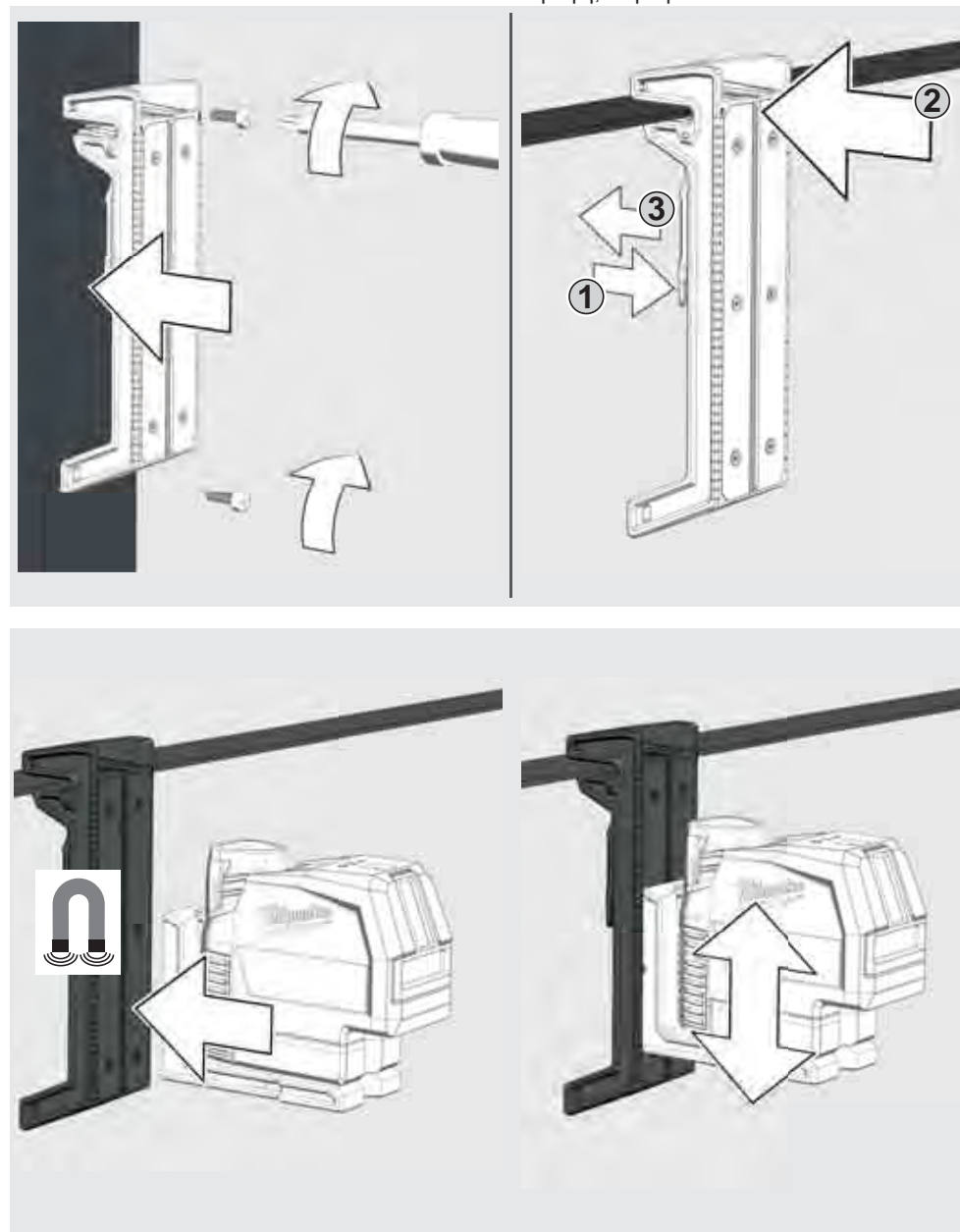
Από τώρα και στο εξής είναι ακόμη δυνατό να συνεχιστεί το έργο.

Όταν η τάση είναι χαμηλή, το λέιζερ και το LED αναβοσβήνουν 4 φορές και σβήνει αυτόματα.

ΣΤΕΡΕΩΣΗ ΟΡΟΦΗΣ

Στερεώστε το κλιπ κομματιού με βίδες σε μια κολόνα.

Χρησιμοποιήστε τη βάση οροφής για να στερεώσετε τα κανάλια λέιζερ έως την οροφή, τα ράφια ...



ΒΑΣΗ ΤΟΙΧΟΥ & ΠΡΑΣΙΝΗ ΠΛΑΚΑ ΣΤΟΧΟΥ

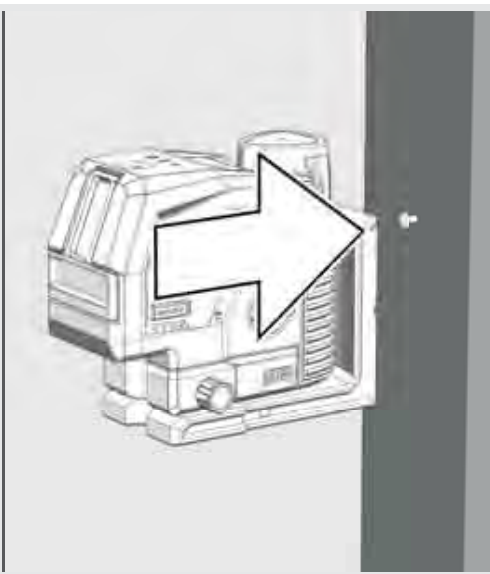
Με το μαγνητικό στήριγμα τοίχου μπορεί να στερεώνεται το λέιζερ σε τοίχους, μεταλλικές κατασκευές κτλ.

Ή στερεώστε με μια βίδα ή καρφί σε μια κολόνα.

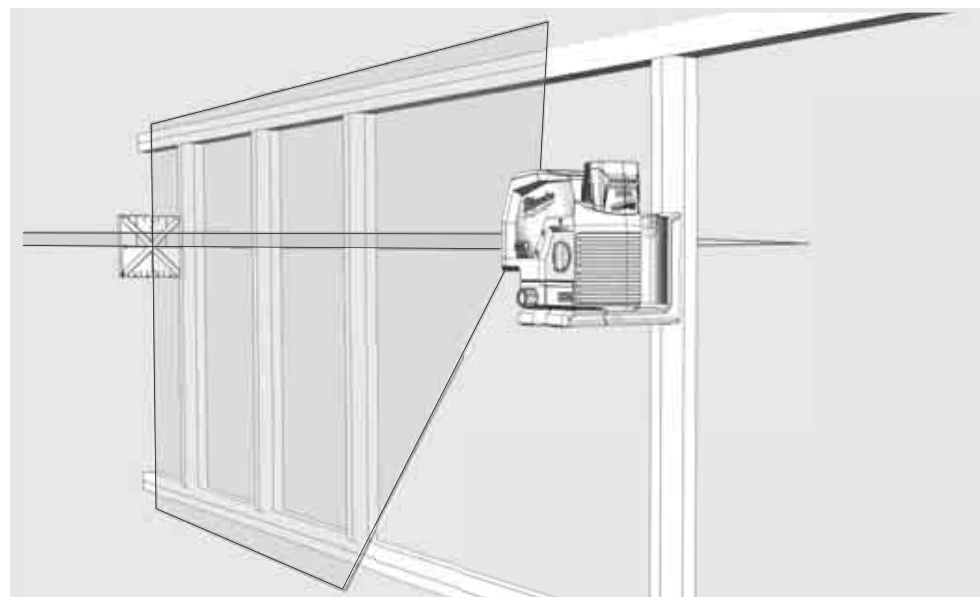
Χρησιμοποιήστε την πράσινη πλάκα στόχου για να βελτιώσετε την ορατότητα της δέσμης λέιζερ σε δυσμενείς συνθήκες και σε μεγαλύτερες αποστάσεις.



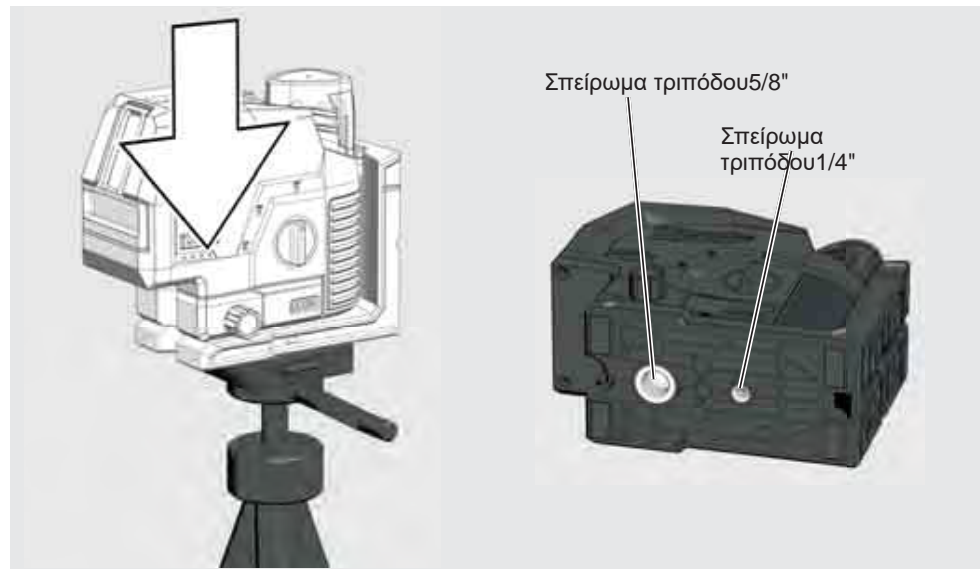
Γυρίστε το λέιζερ 360°.



Χρησιμοποιήστε το κουμπί ρύθμισης για μικροδιαμόρφωση 20° περιστροφής



Χρησιμοποιήστε τη βάση τρίποδα για να στερεώσετε το λέιζερ σε ένα τρίποδο.



Σπείρωμα τριπόδου 5/8"

Σπείρωμα τριπόδου 1/4"

ΕΡΓΑΣΙΑ ΣΤΗ ΛΕΙΤΟΥΡΓΙΑ ΑΥΤΟΧΩΡΟΣΤΑΘΜΗΣΗΣ

Στη λειτουργία αυτοχωροστάθμησης ευθυγραμμίζεται το λέιζερ μόνο του σε μια περιοχή $\pm 4^\circ$. Για το σκοπό αυτό εμφανίζονται μία οριζόντια γραμμή, μία κάθετη γραμμή ή και οι δύο γραμμές συγχρόνως.


1

Τοποθετήστε το λέιζερ σ' ένα σταθερό, επίπεδο και ελεύθερο από δονήσεις υπέδαφος ή πάνω σ' ένα τρίποδο.



Πείρος σπειρώματος 1/4"
Πείρος σπειρώματος 5/8"

2

Γυρίστε τον περιστροφικό διακόπτη σε: 

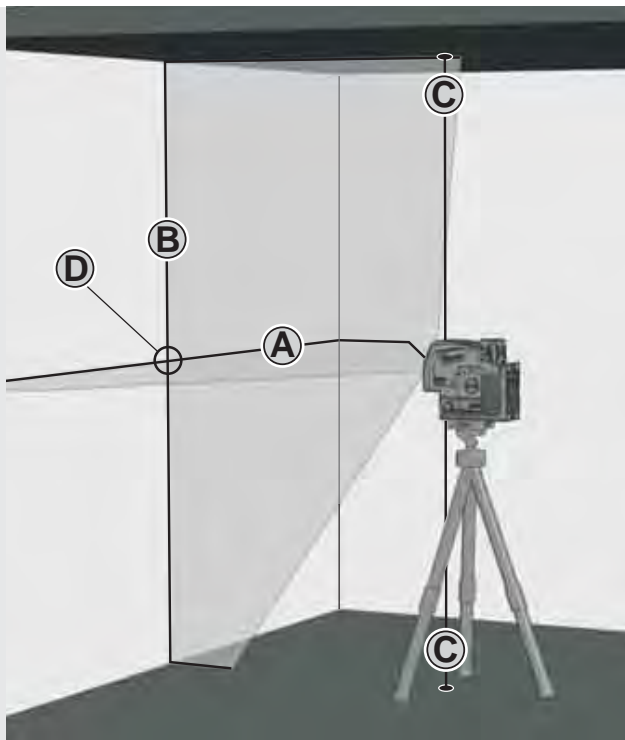


3

Το λέιζερ δημιουργεί 2 γραμμές λέιζερ.

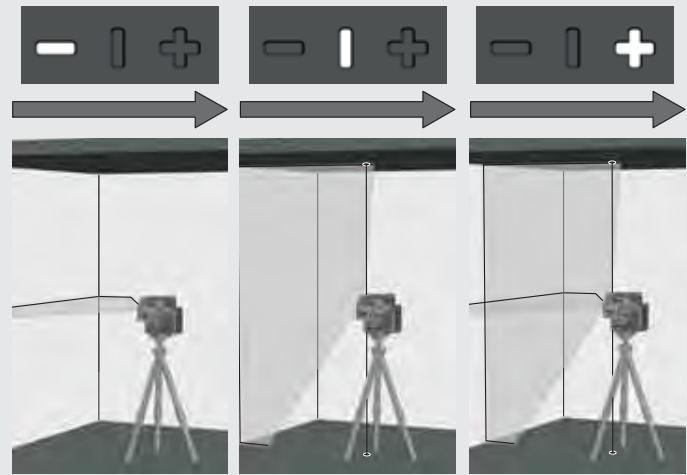
(A) Οριζόντια γραμμή προς τα εμπρός
(B) Κάθετη γραμμή προς τα εμπρός
(C) Κουκίδα λέιζερ

(D) Το λέιζερ δημιουργεί σταυρωτές γραμμές προς τα εμπρός, όταν ενεργοποιηθούν όλες οι γραμμές.



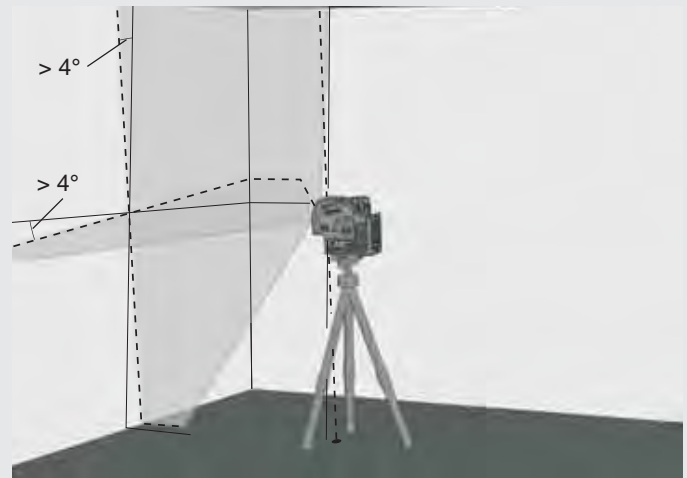
4

Επιλέγτε τις επιθυμητές γραμμές μέσω του πλήκτρου.




5

Οι γραμμές λέιζερ αναλάμπουν, όταν με ενεργοποιημένη αυτοχωροστάθμηση δεν έχει ακόμη ευθυγραμμιστεί το λέιζερ στις $\pm 4^\circ$. - - - - .
Σ' αυτή την περίπτωση τοποθετήστε το λέιζερ εκ νέου.



6

Πριν μετακινήσετε το λέιζερ, γυρίστε τον περιστροφικό διακόπτη σε  OFF. Κατ' αυτό τον τρόπο ασφαλίζεται το λέιζερ.



ΕΡΓΑΣΙΑ ΣΤΗ ΧΕΙΡΟΚΙΝΗΤΗ ΛΕΙΤΟΥΡΓΙΑ

Στη χειροκίνητη λειτουργία είναι η αυτοχωροστάθμιση απεργασμένη και μπορεί να ρυθμίζεται το λέιζερ σ' οποιαδήποτε κλίση τής γραμμής λέιζερ.

1

Τοποθετήστε το λέιζερ σ' ένα σταθερό, επίπεδο και ελεύθερο από δονήσεις υπέδαφος ή πάνω στο τρίποδο.



2

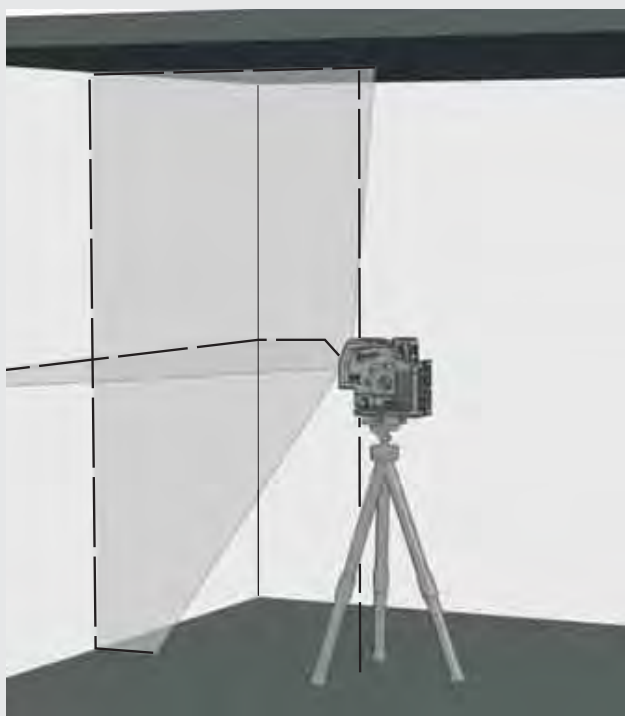
Γυρίστε τον περιστροφικό διακόπτη σε: **ON**.



3

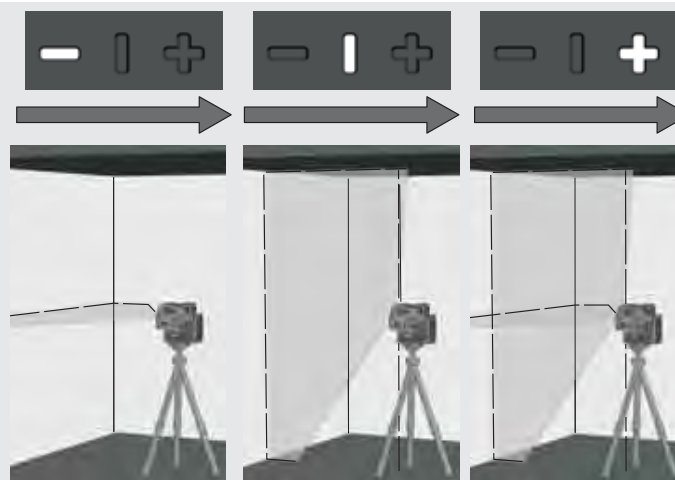
Όπως και στη λειτουργία αυτοχωροστάθμισης δημιουργεί το λέιζερ 2 γραμμές, οι οποίες όμως διακόπτονται κάθε 8 δευτερόλεπτα.

8 δευτ. 8 δευτ. 8 δευτ.



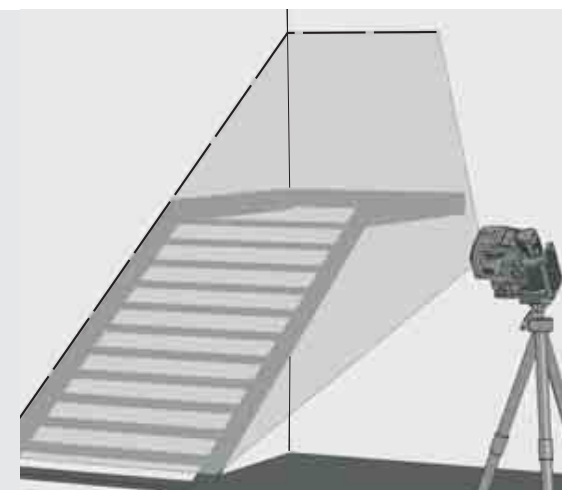
4

Επιλέξτε τις επιθυμητές γραμμές μέσω του πλήκτρου.



5

Ρυθμίστε το λέιζερ στο ύψος και την κλίση που επιθυμείτε, με τη βοήθεια του τριπόδου.



6

Για έξοδο από τη μη αυτόματη λειτουργία,

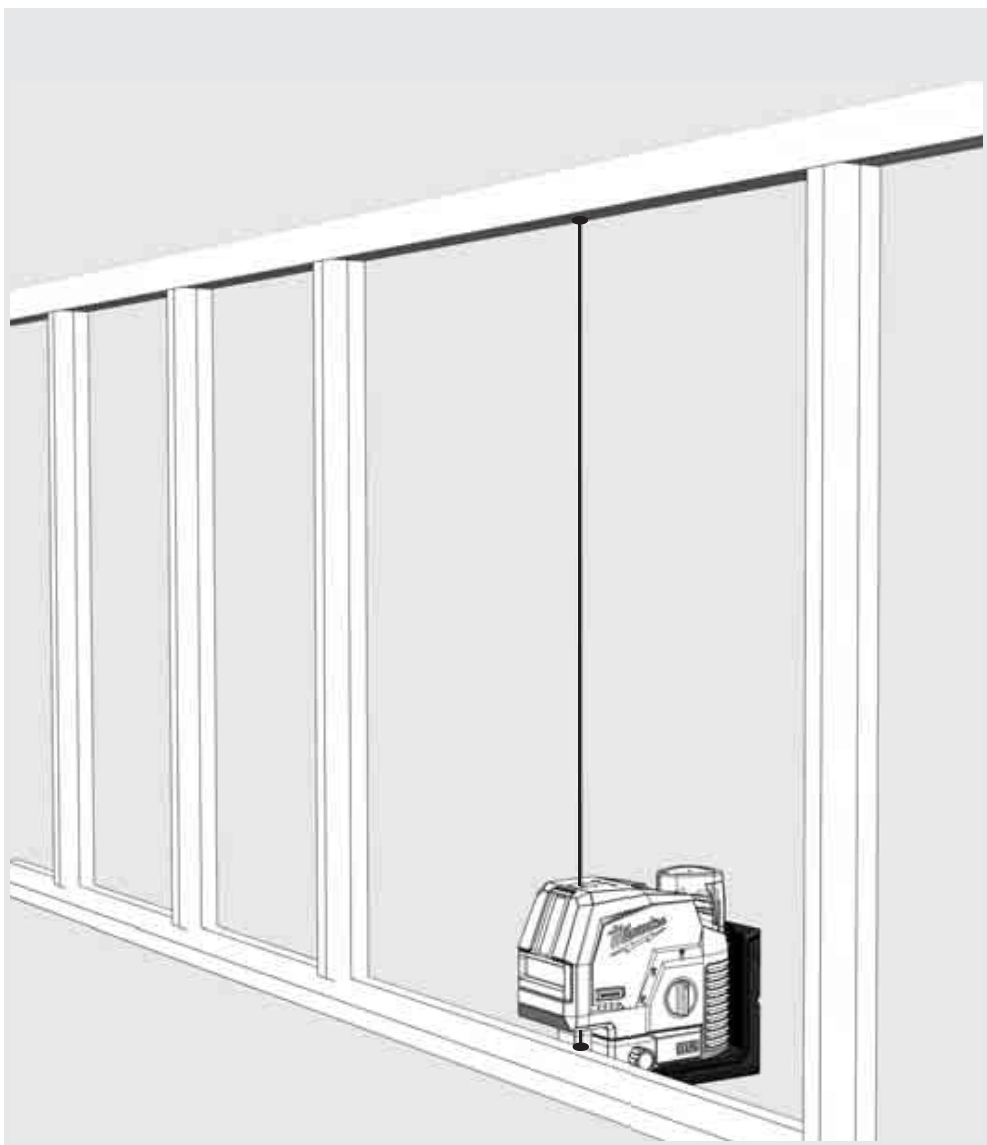
Γυρίστε τον περιστροφικό διακόπτη σε: **ON**
ή
γυρίστε τον περιστροφικό διακόπτη σε: **OFF**.



ΛΕΙΤΟΥΡΓΙΑ ΑΛΦΑΔΙΟΥ

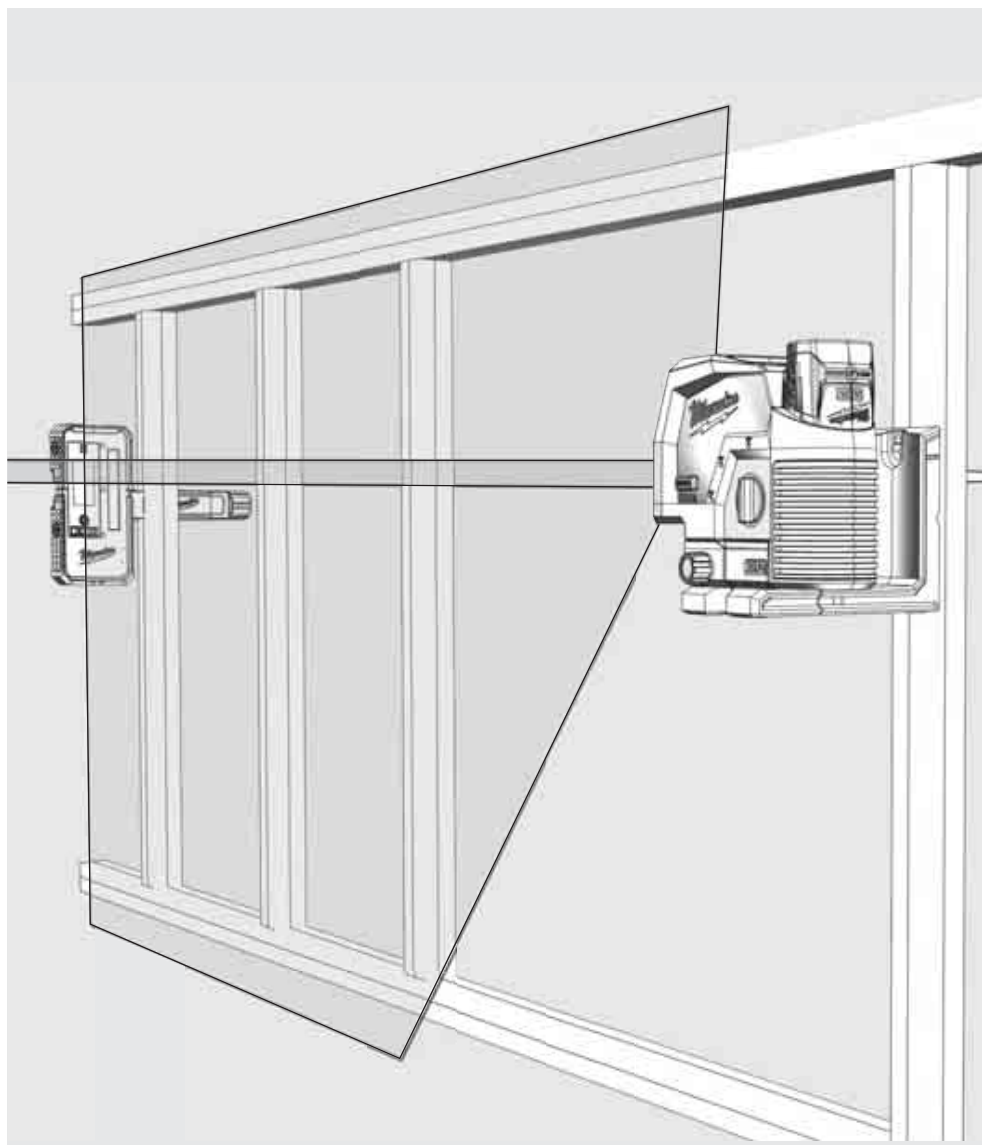
Με τη λειτουργία αλφαδιού μπορεί να εμφανίζεται ένα σημείο στο δάπεδο κάθετα προς την οροφή.

Η λειτουργία αλφαδιού χρησιμεύει για παράδειγμα στη μεταβίβαση ενός σημείου αναφοράς για την εγκατάσταση φωτισμού και εξαερισμού ή την μεταβίβαση των υψών.



ΑΝΙΧΝΕΥΤΗΣ

Για εργασίες σε εξωτερικούς χώρους υπό άμεσο ηλιακό φως, ή σε φωτεινές συνθήκες και για εκτεταμένες εσωτερικές αποστάσεις έως 50 μέτρα, χρησιμοποιήστε τον ανιχνευτή Milwaukee. Ο ανιχνευτής δεν περιέχεται στον παραδοτέο εξοπλισμό και πρέπει να αγοράζεται ξεχωριστά. Λεπτομερείς πληροφορίες για τη χρήση του ανιχνευτή θα βρείτε στις οδηγίες χρήσεως για τον ανιχνευτή.



Το λέιζερ βαθμονομείται πλήρως στο εργοστάσιο. Η Milwaukee συνιστά τον τακτικό έλεγχο της ακρίβειας του λέιζερ, προπαντός μετά από μίαν πτώση ή εξαιρετικά εσφαλμένης χρήσης.

Εάν σ' έναν έλεγχο της ακρίβειας ξεπερνιέται η μέγιστη απόκλιση, τότε να απευθύνεστε σ' ένα από τα κέντρα παροχής υπηρεσιών της Milwaukee (βλέπετε τον κατάλογο με τους όρους εγγύησης και τις διευθύνσεις των κέντρων παροχής υπηρεσιών).

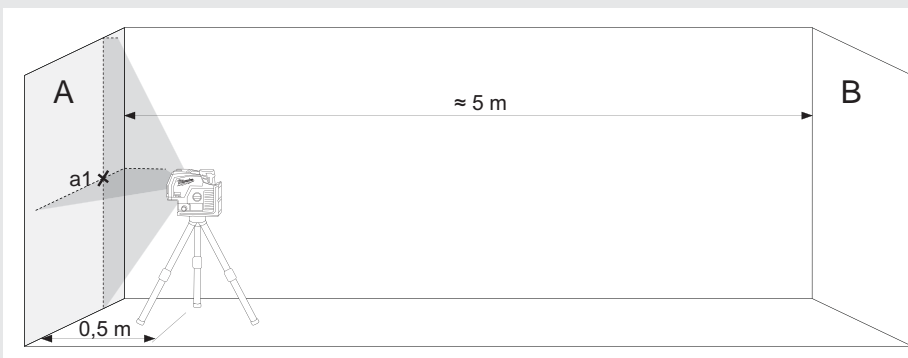
1. Ελέγξτε την ακρίβεια ύψους της οριζόντιας γραμμής.
2. Ελέγξτε την ακρίβεια χωροστάθμησης της οριζόντιας γραμμής.
3. Ελέγξτε την ακρίβεια χωροστάθμησης της κάθετης γραμμής.
4. Ελέγξτε την ακρίβεια αλφαδιού.

Πριν τον έλεγχο της ακρίβειας του τοποθετημένου σε τρίποδο λέιζερ εξετάζετε τη χωροστάθμηση του τριπόδου.



1 ΕΛΕΓΞΤΕ ΤΗΝ ΑΚΡΙΒΕΙΑ ΥΨΟΥΣ ΤΗΣ ΟΡΙΖΟΝΤΙΑΣ ΓΡΑΜΜΗΣ (ΑΠΟΚΛΙΣΗ ΠΡΟΣ ΤΑ ΠΑΝΩ ΚΑΙ ΚΑΤΩ)

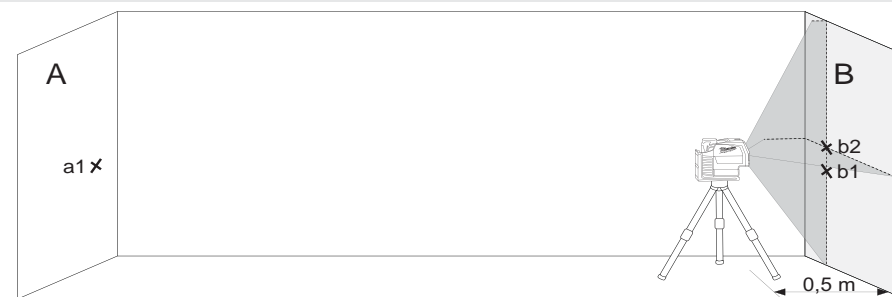
1. Τοποθετήστε το λέιζερ πάνω σ' ένα τρίποδο ή ένα επίπεδο υπέδαφος ανάμεσα σε δύο τοίχους A και B με απόσταση 5 μέτρων μεταξύ αυτών.
2. Τοποθετήστε το λέιζερ σε απόσταση 0,5 μέτρου από τον τοίχο A.
3. Ενεργοποιήστε τη λειτουργία αυτοχωροστάθμησης και πιέστε το πλήκτρο, για να προβάλλετε την οριζόντια και κάθετη γραμμή στον τοίχο A.
4. Σημαδέψτε το σημείο τομής των δύο γραμμών ως σημείο α1 στον τοίχο A.



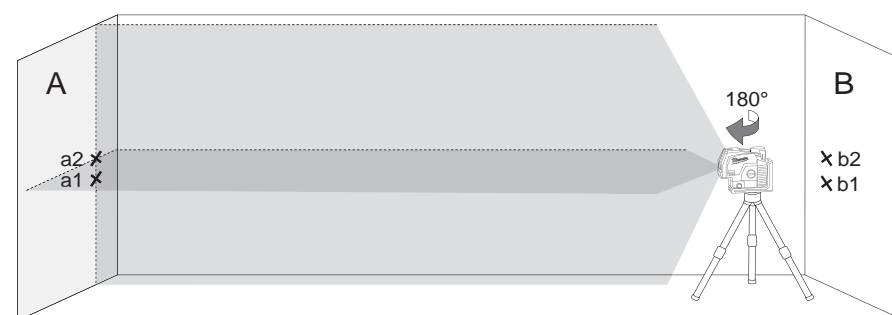
5. Στρέψτε το λέιζερ κατά 180° προς την κατεύθυνση του τοίχου B και σημαδέψτε το σημείο τομής των δύο γραμμών ως β1 στον τοίχο B.



6. Τοποθετήστε το λέιζερ σε απόσταση 0,5 μέτρου περ. από τον τοίχο B.
7. Σημαδέψτε το σημείο τομής των δύο γραμμών ως σημείο β2 στον τοίχο B.



8. Στρέψτε το λέιζερ κατά 180° προς την κατεύθυνση του τοίχου A και σημαδέψτε το σημείο τομής των δύο γραμμών ως α2 στον τοίχο A.



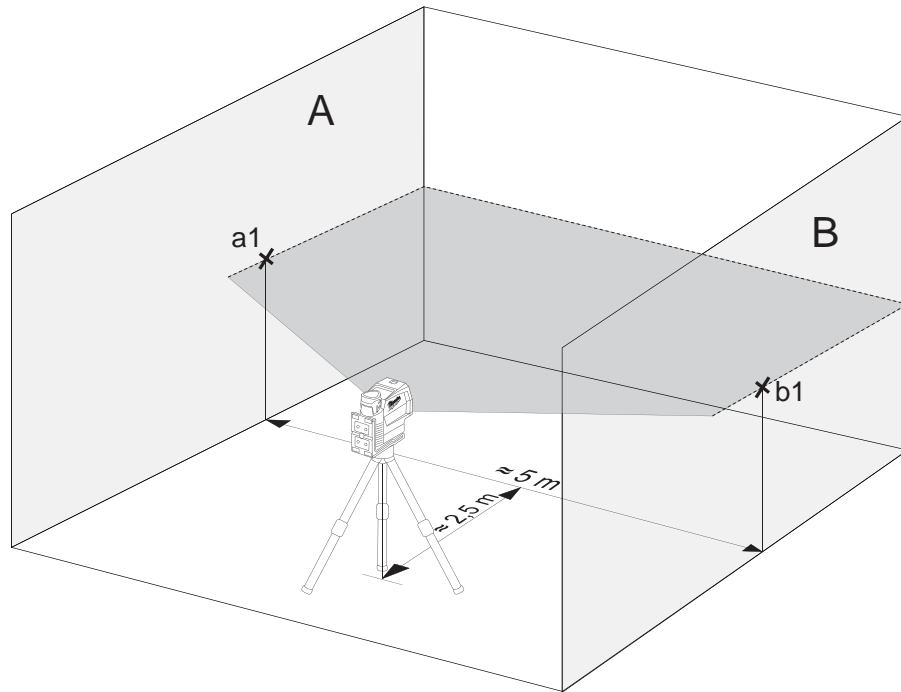
9. Μετρήστε την απόσταση:
 $\Delta\alpha = |\alpha 2 - \alpha 1|$
 $\Delta\beta = |\beta 1 - \beta 2|$

10. Η διαφορά $|\Delta\alpha - \Delta\beta|$ δεν επιτρέπεται να υπερβαίνει τα 2 χιλ.

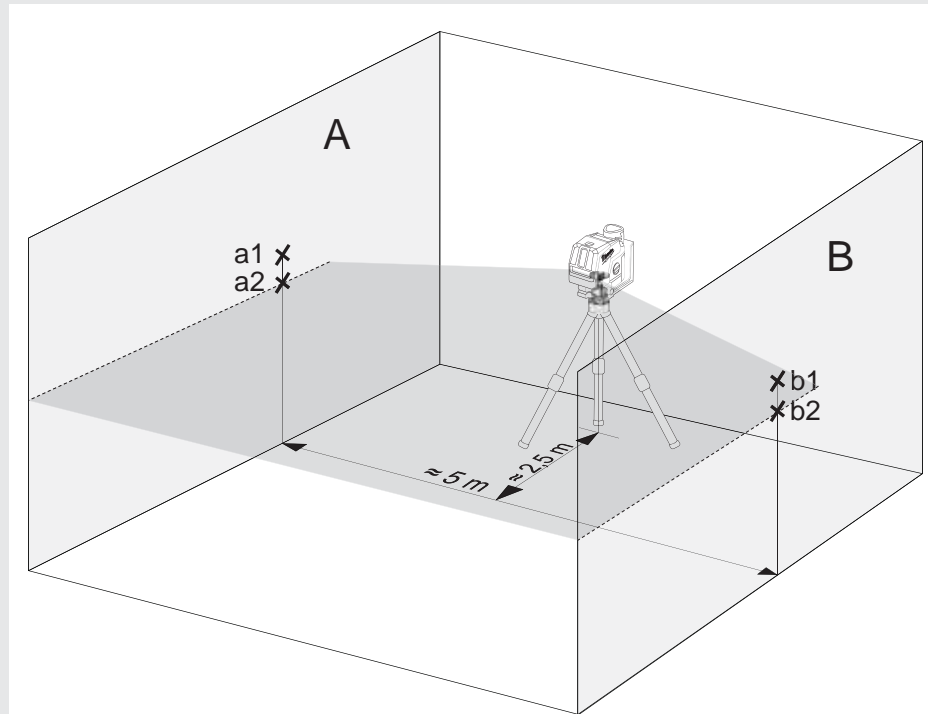
2 ΕΛΕΓΞΤΕ ΤΗΝ ΑΚΡΙΒΕΙΑ ΧΩΡΟΣΤΑΘΜΗΣΗΣ ΤΗΣ ΟΡΙΖΟΝΤΙΑΣ ΓΡΑΜΜΗΣ (ΑΠΟΚΛΙΣΗ ΑΠΟ ΤΗ ΜΙΑΝ ΠΛΕΥΡΑ ΣΤΗΝ ΑΛΛΗ)

Γι' αυτό τον έλεγχο απαιτείται μια ελεύθερη επιφάνεια εμβαδού 5×5 μέτρων περ.

1. Τοποθετήστε το λέιζερ πάνω σ' ένα τρίποδο ή ένα σταθερό υπέδαφος ανάμεσα σε δύο τοίχους A και B με απόσταση 5 μέτρων μεταξύ αυτών.
2. Τοποθετήστε το λέιζερ σε απόσταση 2,5 μέτρου περ. από το κέντρο του χώρου.
3. Ενεργοποιήστε τη λειτουργία αυτοχωροστάθμησης και πιέστε το πλήκτρο, για να προβάλλετε την οριζόντια γραμμή στους τοίχους A και B.
4. Σημαδεύστε το επίκεντρο της γραμμής λέιζερ στον τοίχο A με α_1 και στον τοίχο B με β_1 .



5. Μετατοπίστε το λέιζερ 5 μέτρα περ., στρέψτε το κατά 180° και προβάλετε πάλι την οριζόντια γραμμή στους τοίχους A και B.
6. Σημαδεύστε το επίκεντρο της γραμμής λέιζερ στον τοίχο A με α_2 και στον τοίχο B με β_2 .



7. Μετρήστε την απόσταση:

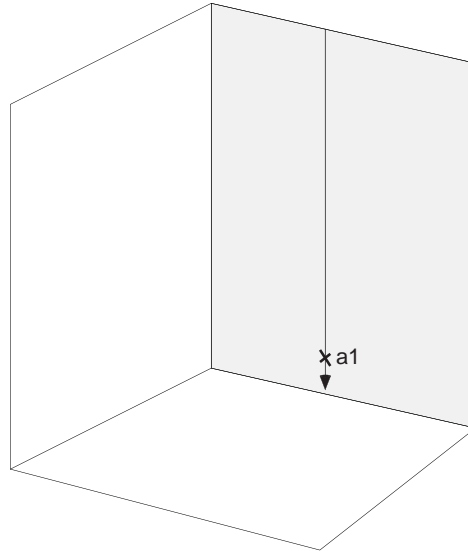
$$\Delta\alpha = |\alpha_2 - \alpha_1|$$

$$\Delta\beta = |\beta_1 - \beta_2|$$

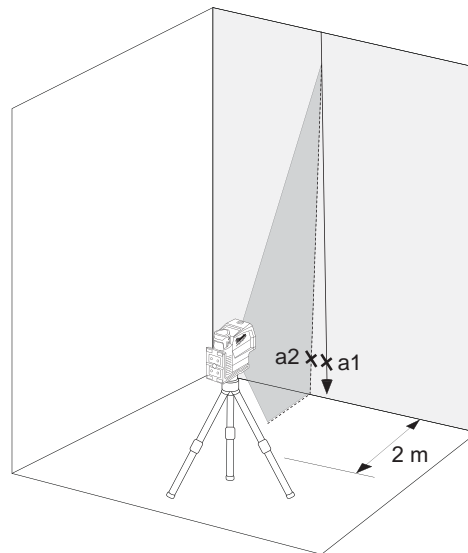
8. Η διαφορά $|\Delta\alpha - \Delta\beta|$ δεν επιτρέπεται να υπερβαίνει τα 2 χιλ.

3 ΕΛΕΓΞΤΕ ΤΗΝ ΑΚΡΙΒΕΙΑ ΧΩΡΟΣΤΑΘΜΗΣΗΣ ΤΗΣ ΚΑΘΕΤΗΣ ΓΡΑΜΜΗΣ

1. Κρεμάστε στον τοίχο ένα νήμα στάθμης μήκους 4 μέτρων περ.
2. Αφού σταματήσει να μετακινείται το βαρίδι στάθμης, σημαδεύετε στον τοίχο το σημείο a1 πάνω από τον κώνο βαριδιού.



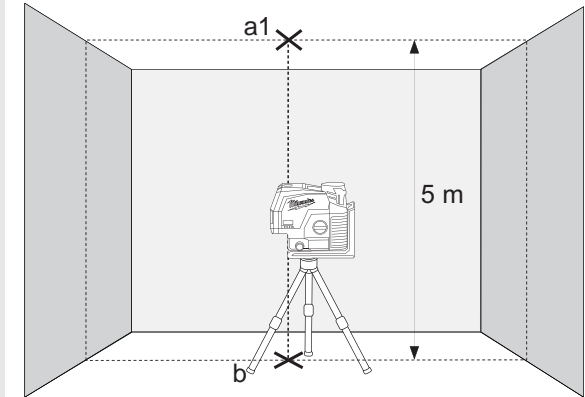
3. Τοποθετήστε το λέιζερ πάνω σ' ένα τρίποδο ή ένα επίπεδο υπέδαφος σε απόσταση 2 μέτρων περ. από τον τοίχο.
4. Ενεργοποιήστε τη λειτουργία αυτοχωροστάθμησης και πιέστε το πλήκτρο, για να προβάλλετε την κάθετη γραμμή στο νήμα στάθμης.
5. Στρέψτε το λέιζερ έτσι, ώστε να συμφωνεί η κάθετη γραμμή με την ανάρτηση του νήματος στάθμης.
6. Σημαδεύστε το σημείο a2 στο κέντρο της κάθετης γραμμής και στο ύψος του a1 επί του τοίχου.
7. Η απόσταση μεταξύ a1 και a2 δεν επιτρέπεται να υπερβαίνει το 1 χιλ.



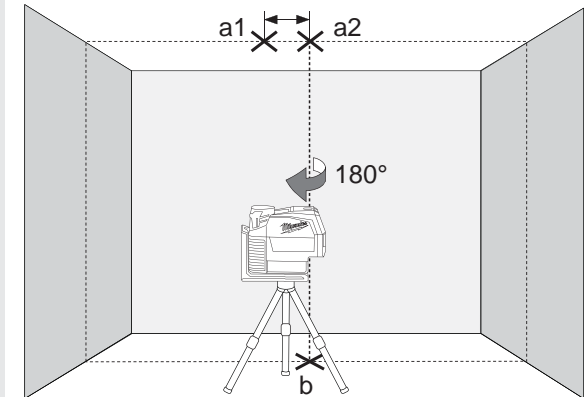
4 ΕΛΕΓΞΤΕ ΤΗΝ ΑΚΡΙΒΕΙΑ ΑΛΦΑΔΙΑΣ

Γι' αυτό τον έλεγχο απαιτείται ένας χώρος με ύψος οροφής 5 μέτρων περ.

1. Ρυθμίστε το cross laser σε τρίποδο.
2. Ενεργοποιήστε τη λειτουργία αυτοεπιπέδωσης και πατήστε το κουμπί για να μεταβείτε στη λειτουργία παλμού.
3. Σημειώστε την επάνω υδραυλική κουκκίδα στην οροφή ως σημείο a1 (δείτε την εικόνα).
4. Σημειώστε την κάτω υδραυλική κουκκίδα στο πάτωμα ως σημείο β.



5. Στρέψτε το λέιζερ κατά 180°, τοποθετώντας το έτσι, ώστε να συμπίπτει το επίκεντρο της αλφαδιάς με το ήδη μαρκαρισμένο σημείο β και περιμένετε μέχρι να χωροσταθμηθεί η συσκευή.
6. Σημειώστε την επάνω υδραυλική κουκκίδα στην οροφή ως σημείο a1 (δείτε την εικόνα).
7. Η απόσταση μεταξύ των σημείων a1 και a2 στην οροφή δηλώνει την απόκλιση της γραμμής λέιζερ από την ιδανική κατακόρυφο. Σε μια μετρημένη απόσταση 5 μέτρων ανέρχεται η μέγιστη, επιτρεπτή απόκλιση σε:
 $5 \mu \times (\pm 0,6 \text{ χιλ./}\mu) \times 2 = \pm 6 \text{ χιλ.}$
8. Η απόσταση μεταξύ a1 και a2 δεν επιτρέπεται να υπερβαίνει τα 6 χιλ.



İÇİNDEKİLER

Önemli Emniyet Talimatnamesi	145
Bakım.....	146
Teknik veriler.....	146
Amacına uygun kullanım	146
Genel bakış	147
Ekipman	148
Pili değiştirme	148
Pil kapasitesi göstergesi	149
Düşük pil göstergesi	149
Tavana montaj	149
Duvara montaj aparatı ve yeşil hedef plakası	150
Otomatik hizalama modunda çalışma	151
Manüel modda çalışma	152
Şakül fonksiyonu	153
Detektör.....	153
Hassaslığın kontrol edilmesi.....	154

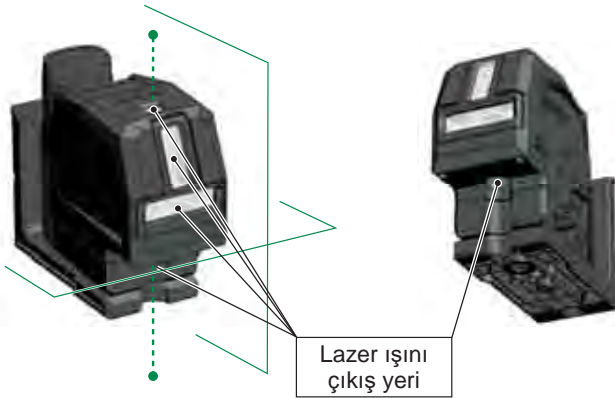
ÖNEMLİ EMNİYET TALIMATNAMESİ



DİKKAT! UYARI! TEHLİKE!

Emniyet talimatnamesini ve Kullanma kılavuzunu okumadan önce ürünü kullanmayın.

Lazer Sınıfı



İKAZ:

Bu ürün, EN60825-1:2014 standardına göre, Sınıf 2 lazer kategorisine girer.



İkaz:

Doğrudan lazer ışınına bakmaktan kaçınınız. Lazer ışını göze ciddi zarar verebilir ve/veya körlüğe sebep olabilir.

Doğrudan lazer ışınına bakmayınız ve ışını gereksiz yere başka kişiler yöneltmeyiniz.

Dikkat! Bazı uygulamalarda lazer yayan cihaz arkanızda bulunabilir. Bu durumda arkanızı dikkatlice dönünüz.

İkaz:

Lazeri çocukların yanında çalıştırmayın veya çocukların lazeri çalıştırmasına izin vermeyin.

Dikkat! Yansıma yapan bir yüzey lazer ışını kullanıcıya veya başka kişilere geri yansıtabilir.

Uyarı: Kumanda elemanlarının kullanılması, el kitabında tespit edilmiş yöntemlerden farklı yöntemlerin veya ayarların uygulanması tehlikeli ışınların oluşmasına neden olabilir.

Lazer çok soğuk bir ortamdan sıcak bir ortama getirildiğinde (veya tersi), kullanılmadan önce ortam sıcaklığına gelmesi beklenmelidir.

Lazeri açık havada muhafaza etmeyiniz ve darbelerden, sürekli titreşimlerden ve aşırı sıcaklıklardan koruyunuz.

Aleti daima toz, sıvılar ve yüksek nem koşullarından uzakta tutunuz. Bunlar, iç bileşenlere zarar verebilir veya doğruluk hassasiyetini etkileyebilir.

Lazer ışını gözünüze isabet ettiğinde, gözlerinizi kapatın ve başınızı hemen ışıktan çeviriniz.

Lazer ışını, kendinizin veya başka kişilerin gözüne gelmeyecek şekilde konumlandırınız.

Dürbün veya teleskop gibi optik büyüteçlerle lazer ışını içine bakmayınız. Aksi halde gözlere ciddi şekilde zarar verme tehlikesi artmaktadır.

Lazer gözlüklerinin lazer çizgilerinin daha iyi görülmesini sağladıklarına, ancak gözleri lazer ışınına karşı koruma sağlamadıklarına dikkat ediniz.

Lazer cihazı üzerindeki uyarı etiketleri çıkartılmamalı veya okunaksız hale getirilmemelidir.

Lazeri demonte etmeyiniz. Lazer ışını ciddi göz yaralanmalarına neden olabilir.

Lazeri taşımadan önce, sarkaç kilidinin kilitli olmasından emin olunuz.

Not: Sarkaç kilidi kilitli olmadığında cihazın iç kısmında zararlar meydana gelebilir.


Aşındırıcı temizlik maddeleri veya çözeltilerini kullanmayınız. Temizlik için yalnızca temiz, yumuşak bir bez kullanınız.


Lazeri aşırı darbeler ve düşmeye karşı koruyunuz. Düşükten veya aşırı mekanik etkilerden sonra kullanmadan önce cihazın hassaslığını kontrol ediniz.

Bu lazer cihazında gerekli olan tamirler sadece yetkili servis personeli tarafından yapılabilir.

Agresif veya patlayıcı ortamlarda çalıştırmayın.

Cihazı uzun süre kullanmadığınızda pil bölmesindeki pilleri çıkartınız. Bununla pillerin akması ve buna bağlı olarak korozyon zararları önlenebilir.

 Bitmiş piller, evsel atıkla birlikte elden çıkarılmamalıdır. Çevreye karşı gereken özeni göstererek, bitmiş pilleri ulusal ya da yerel yönetmeliklere uygun olarak temin edilen atık toplama merkezlerine bırakın. Ürün, evsel atıkla birlikte elden çıkarılmamalıdır. Ürünü ülkenizde yürürlükte bulunan ulusal yönetmeliklere uygun olarak elden çıkarın. Ulusal ve spesifik yönetmeliklere göre hareket edin. Elden çıkarılmalarıyla ilgili bilgiler almak için mahalli makama veya satıcınıza başvurun.

 Avrupa uyumluluk işareti

BAKIM

Lazerin merceğini yumuşak, temiz bir bezle temizleyiniz. Çözeltiler kullanmayınız.

Lazerin belirli bir dereceye kadar toz ve kirlenmelere dayanıklı olmasına rağmen uzun süre tozlu bir ortamda muhafaza edilmemelidir, çünkü aksi halde içinde bulunan hareketli parçalar hasar görebilir.

Lazerin ıslanması durumunda, taşıma çantası içine yerleştirilmeden önce paslanmasını önlemek için kurutulmalıdır.

TEKNİK VERİLER

Lazer sınıfı	2
Otomatik hizalama aralığı	± 4°
Otomatik hizalama süresi	3 s
Pil tipi	Li-Ion
Voltaj DC	12V ---
Koruma türü (sıçrayan su ve toz)	IP54*
Maks. rakım	2000 m
Bağıl nemlilik maks.	80%
IEC 61010-1'e göre kirlilik derecesi	2**
Darbe süresi t _p	≤ 80 µs
Fonksiyonlar	yatay çizgi, dikey çizgi, çapraz çizgiler, şakül fonksiyonu (2 puan)
Frekans	10 kHz
yansımalar	2 yeşil çizgi, 2 puan yeşil
Diyot Miktarı	2
Diyot tipi	30 mW
Lazer çizgi türleri	Tek yatay, tek dikey + 2 düşey nokta yukarı ve aşağı, çapraz çizgi + 2 çekül nokta (yukarı ve aşağı).
İşletim süresi	15 saat kartuş akülü M12 3.0 Ah
Tripod dişlisi	1/4" / 5/8"
Uygun detektör	Milwaukee LLD50
Lazer çizgisi	Genişlik < 9,53mm @ 30m Dalga uzunluğu 510 - 530 nm Lazer Sınıfı II Maksimum gücü ≤ 7 mW Hassaslık +/- 3 mm / 10 m Açılma açısı dikey çizgi > 120°; yatay çizgi > 114° Rengi yeşil Ölçme mesafesi 38 m (dedektörlü 50 m)

Şakül noktası	510 - 530 nm Lazer Sınıfı II
Dalga uzunluğu lazer noktası	< 1 mW
Lazer noktası max. güç	+/- 3 mm / 10 m
Şakül hassaslığı	yeşil
Lazer noktası rengi	30 m
Ölçme mesafesi	
Tavsiye edilen işletim sıcaklığı	-10 °C ile +40 °C arası
Muhafaza etme sıcaklığı	-20 °C ile +50 °C arası
Tavsiye edilen akü tipleri	M12 B...
Ebatları	170 mm x 82 mm x 148 mm
Ağırlık (piller dahil)	1205 g

* Lityum iyon akü ve akü bölmesi IP54 dışındadır.

** Sadece iletken olmayan hafif bir kirlilik oluşmakta, ancak bazı durumlarda nemlenmeden kaynaklanan geçici bir iletkenlik beklenmektedir.

AMACINA UYGUN KULLANIM

Ürün, tercihen iç mekanlarda kullanılmak için tasarlanmıştır. Dış mekanlarda kullanılması durumunda, çerçeve şartlarının iç mekanlardaki şartlara uygun olmasına dikkat edilmelidir.

Bu yenilikçi lazer geniş bir profesyonel uygulama alanı için tasarlanmıştır, örn.:

- Fayans, mermer karo, dolap, bordür, kalıp ve süslemelerin hizalanması
- Kapı, pencere, ray, merdiven, çit, giriş kapıları, verandalar ve çardakların montajı için temel çizgisinin işaretlenmesi
- Yatay ve dikey çizgilerin tespit edilmesi ve kontrol edilmesi için.
- Asma tavanların ve boru hatlarının hizalanması, pencere bölümlenmesi ve boruların hizalanması, elektrik tesisatları için çevreleme duvarlarının hizalanması için

Bu ürün sadece belirtilmiş olan amacına uygun olarak kullanılabilir.

şakül noktası

Dikey lazer çizgisi penceresi

Yatay lazer çizgisi penceresi

Mod düğmesi

Kısa basış: Lazer çizgileri arasında seçim yapın:

- yatay
- dikey + çekül işlevi
- çapraz çizgiler + çekül işlevi

Uzun basış: normal modu / güç tasarrufu modunu değiştir

LED ekran pil kapasitesi

20 ° mikro ayar (merkezden +/- 10 °)

şakül noktası

Tripod yuvası 5/8 "

Tripod yuvası 1/4 "

LED ekran lazer çizgisi

- yatay
- dikey
- + çapraz çizgi

M12 Pil paketi

Yatay lazer ışını için işaretleme

döner düğme

- OFF Kapalı / kilitli
- ON Açık / manuel mod
- ON açık / kendiliğinden yayılma modu

Manyetik tutucu

Tavana montaj



EKIPMAN

Aksesuarlar - Standart donanıma dahil değildir, aksesuar olarak temin edilebilir.

Terminal LM360



Dedektör LLD50

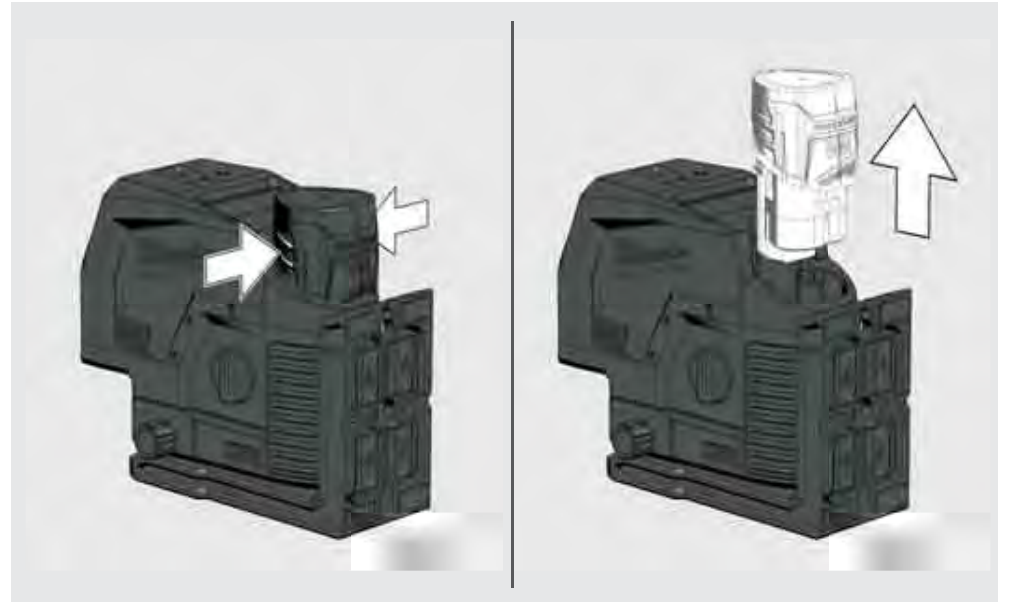
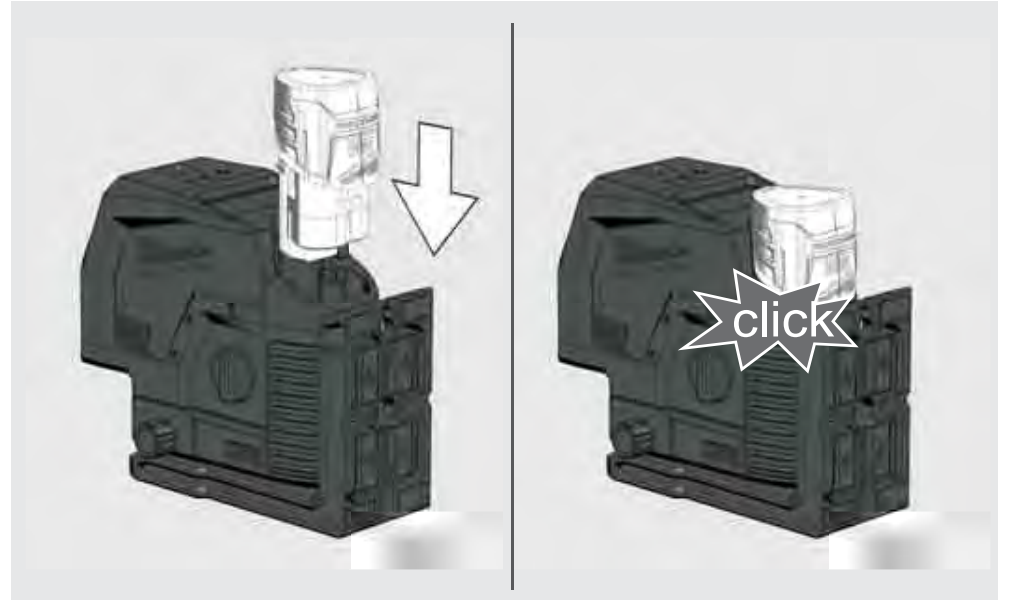


Tripod TRP180



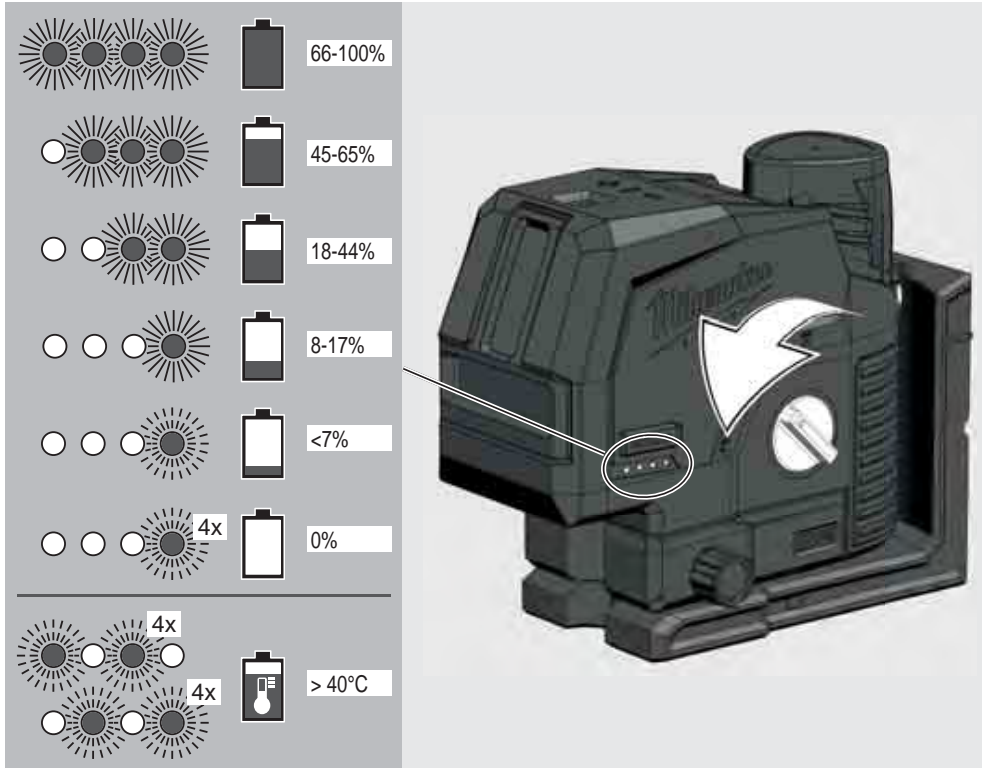
PİLİ DEĞİŞTİRME

Yalnızca M12 şarj edilebilir bir Milwaukee pil kullanın.



PİL KAPASİTESİ GÖSTERGESİ

Lazeri açtıktan veya kapattıktan sonra yakıt göstergesi pil ömrünü gösterecektir.



DÜŞÜK PİL GÖSTERGESİ

Voltaj düşük olduğunda, lazer enerji tasarrufu moduna geçer.
Lazer kendiliğinden yayılma modunda yanıp sönüyor

4 sn. 1 sn.

Lazer manuel modda yanıp sönüyor

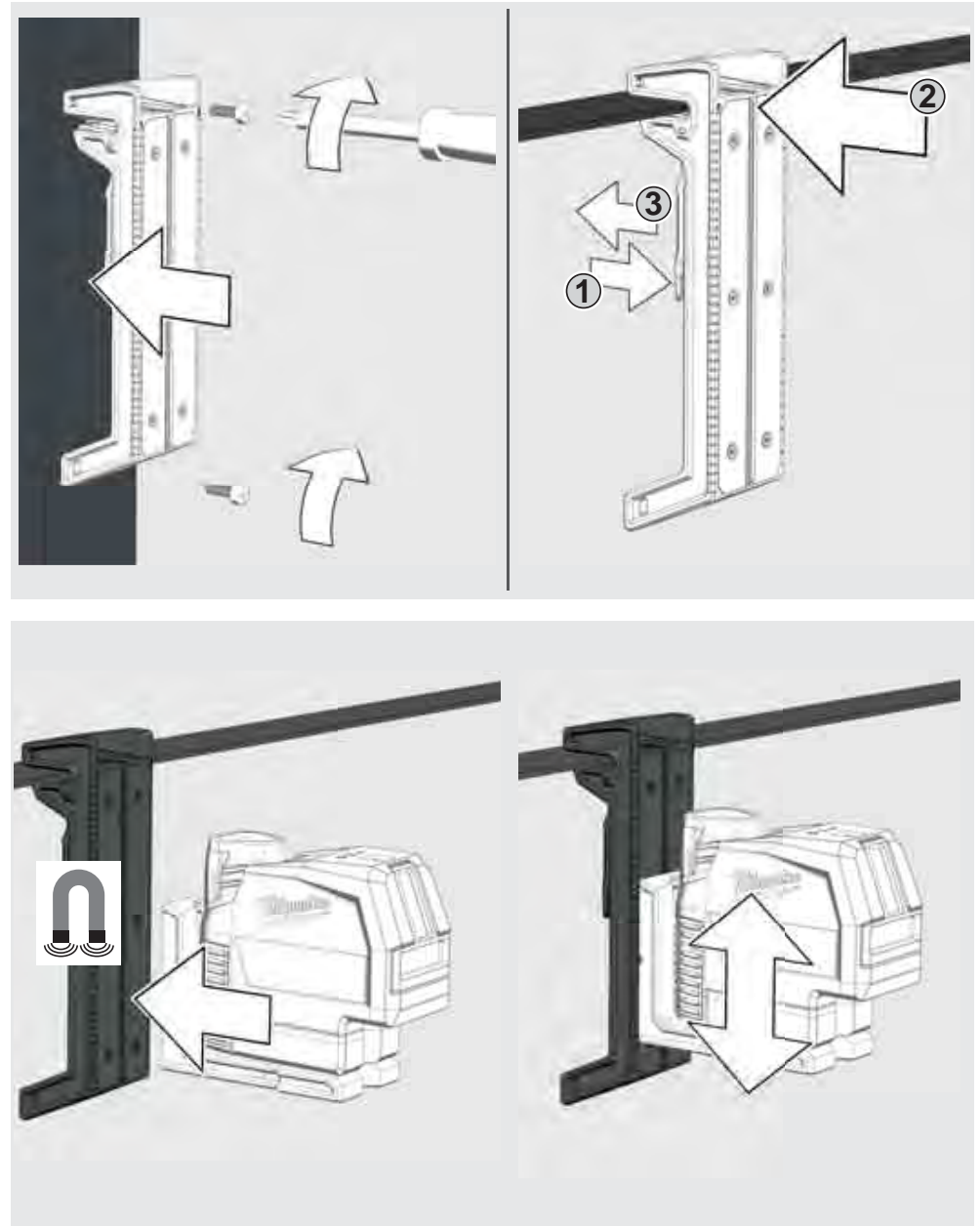
8 sn. 1 sn.

Şu andan itibaren çalışmaya devam etmek hala mümkün.
Voltaj düşük olduğunda, lazer ve LED 4 kez yanıp söner ve otomatik olarak kapanır.

TAVANA MONTAJ

Vidaları olan ray klipsini sütununa sabitleyin.

Lazeri tavan kanallarına, raflara kelepçelemek için tavan montajını kullanın ...

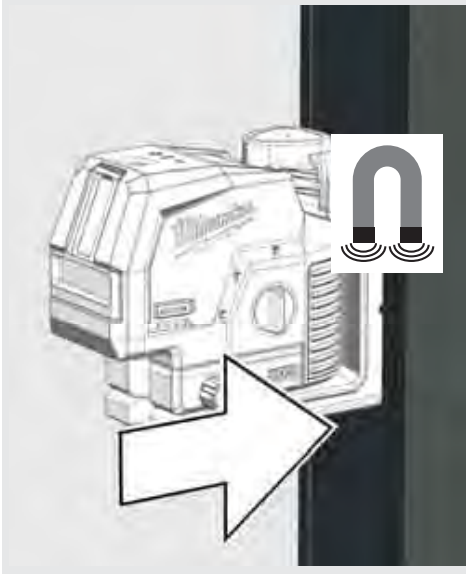


DUVARA MONTAJ APARATI VE YEŞİL HEDEF PLAKASI

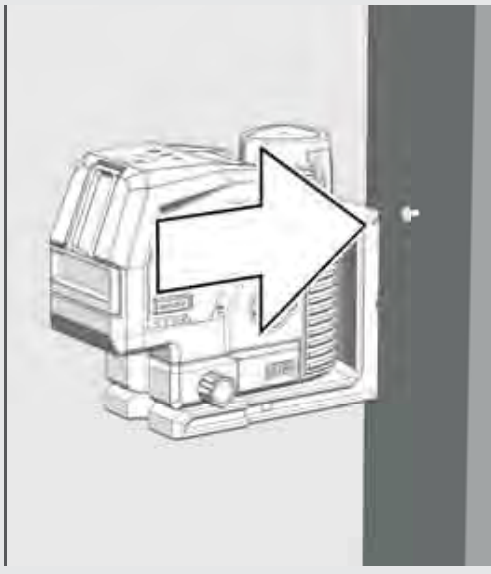
Manyetik askıyla lazer duvarlara, metal yapılara vb. tutturulabilir.

Veya bir sütuna vida veya çivi ile sabitleyin.

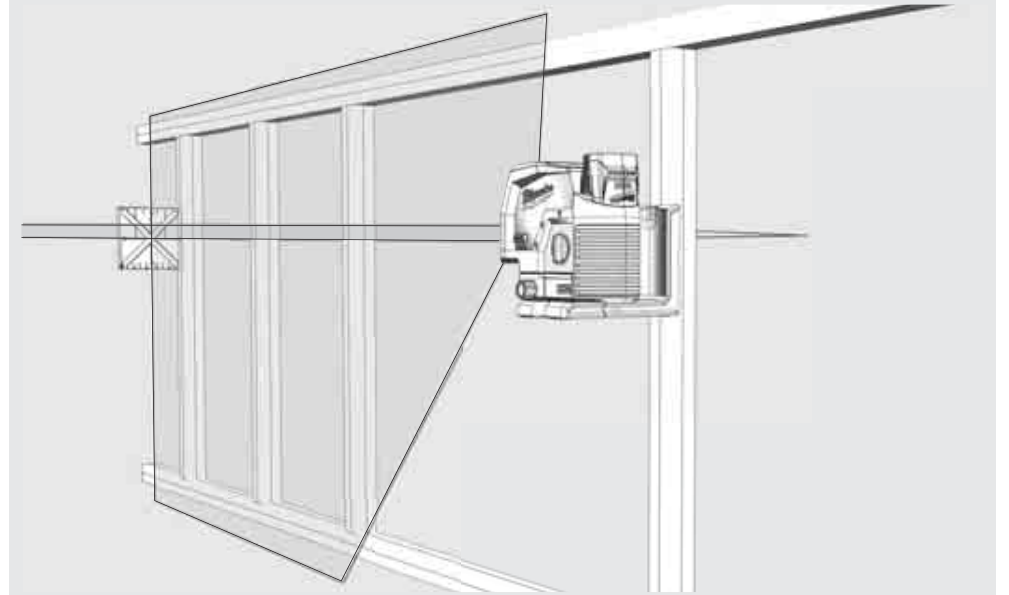
Lazer ışınının olumsuz koşullarda ve daha uzak mesafelerde görünürlüğünü artırmak için yeşil hedef plakasını kullanın.



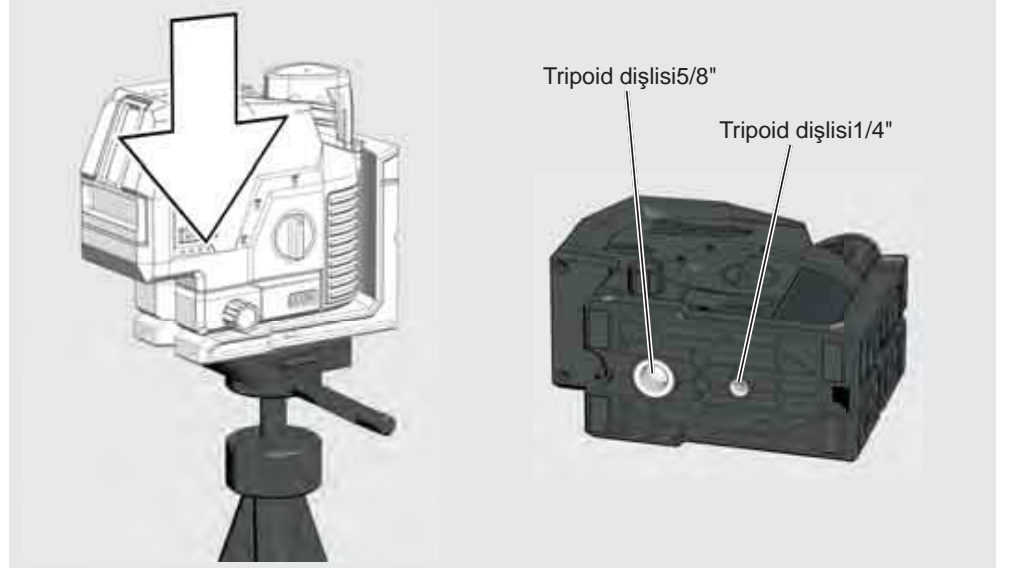
Lazeri 360 ° çevirin.



20 ° pivot mikro ayarı için ayar düğmesini kullanın



Lazeri bir tripoda sabitlemek için tripod yuvasını kullanın.

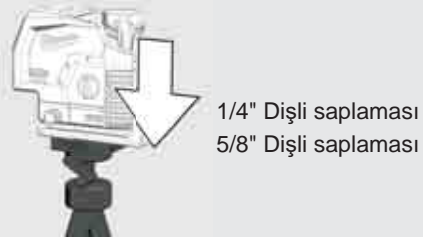


OTOMATİK HIZALAMA MODUNDA ÇALIŞMA


Otomatik hizalama modunda lazer kendiliğinden $\pm 4^\circ$ 'lik bir aralıkta ayarlanmaktadır. Bunun için bir yatay çizgi, bir dikey çizgi veya iki çizgi aynı anda anda yansıtılır.

1

Lazeri sağlam, düz ve titreşim yapmayan bir zemin üzerine yerleştiriniz veya bir tripoid üzerine monte ediniz.



2

Döner anahtarı şu konuma getirin: 

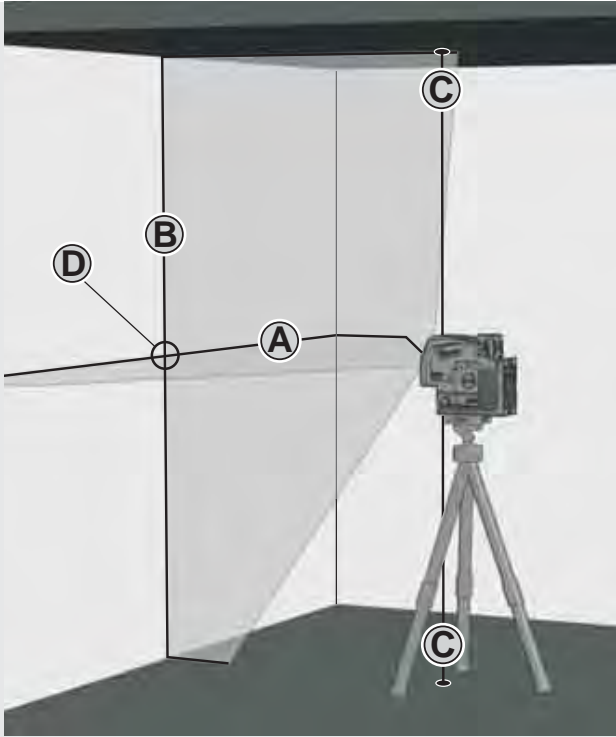


3

Lazer 2 lazer çizgisi oluşturmaktadır.

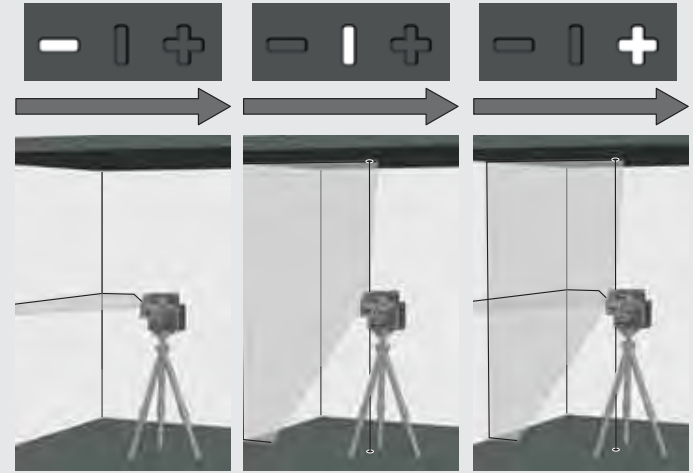
(A) Öne yatay çizgi
(B) Öne dikey çizgi
(C) Lazer noktası

(D) Bütün çizgiler etkin olduğunda lazer öne çapraz çizgiler oluşturmaktadır.



4

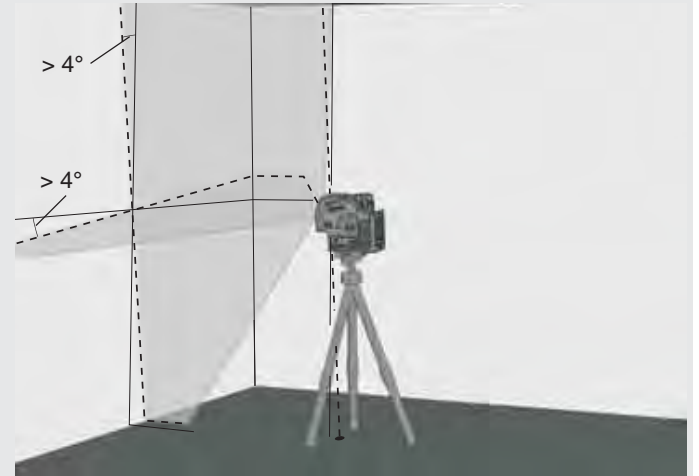
İstenilen çizgileri tuş üzerinden seçiniz.



5

Lazer otomatik hizalama etkin olduğunda başlangıçta $\pm 4^\circ$ 'ye hizalanmadığında lazer çizgileri yanıp söner.

Bu durumda lazere yeniden pozisyona getiriniz.



6

Lazere taşımadan önce, döner anahtarı **OFF** konumuna getirin. Bununla sarkaç kilitletir ve lazer korunur.

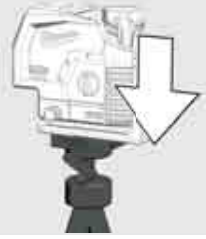


MANÜEL MODDA ÇALIŞMA

Manüel modda otomatik hizalama devre dışıdır ve lazerin lazer çizgileri istenilen eğime ayarlanabilir.

1

Lazeri sağlam, düz ve titreşim yapmayan bir zemin üzerine yerleştiriniz veya tripod üzerine monte ediniz.



2

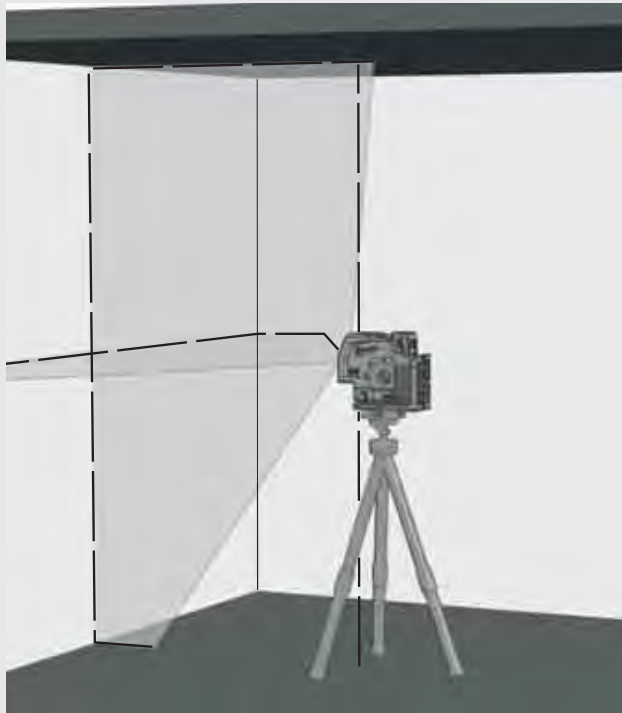
Döner anahtarı şu konuma getirin: **ON**.



3

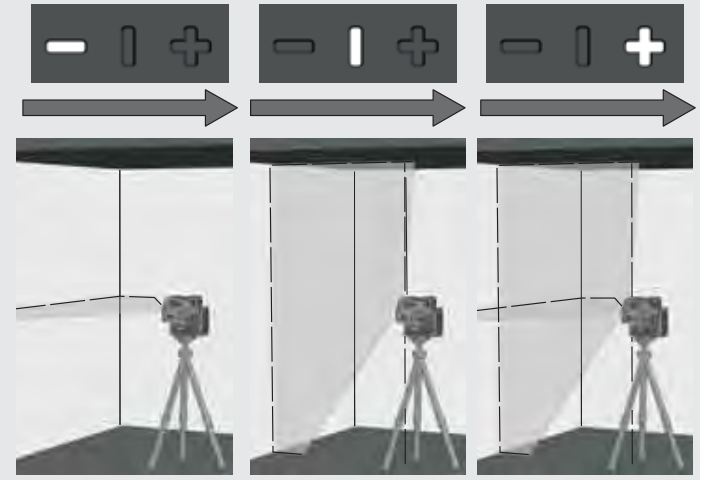
Lazer, otomatik hizalama modunda olduğu gibi 2 lazer çizgisi oluşturmaktadır, ancak bunlar 8 saniyelik aralıklarda kesilir.

8 san. 8 san. 8 san.



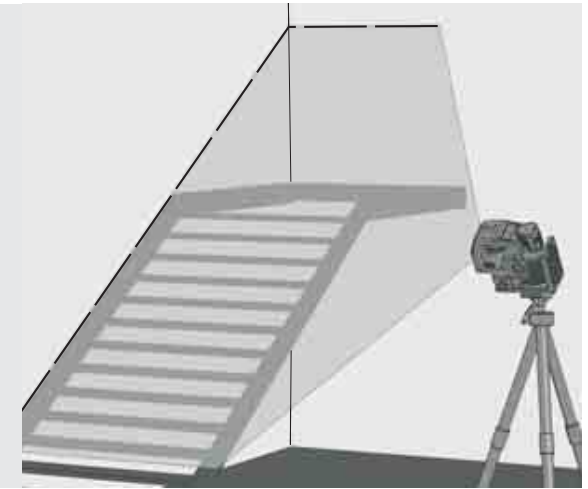
4

İstenilen çizgileri tuş üzerinden seçiniz.



5

Lazeri tripodla istenilen yüksekliğe ve eğime ayarlayınız.



6

Manuel moddan çıkmak için,

Döner anahtarı şu konuma getirin: **ON**.

veya

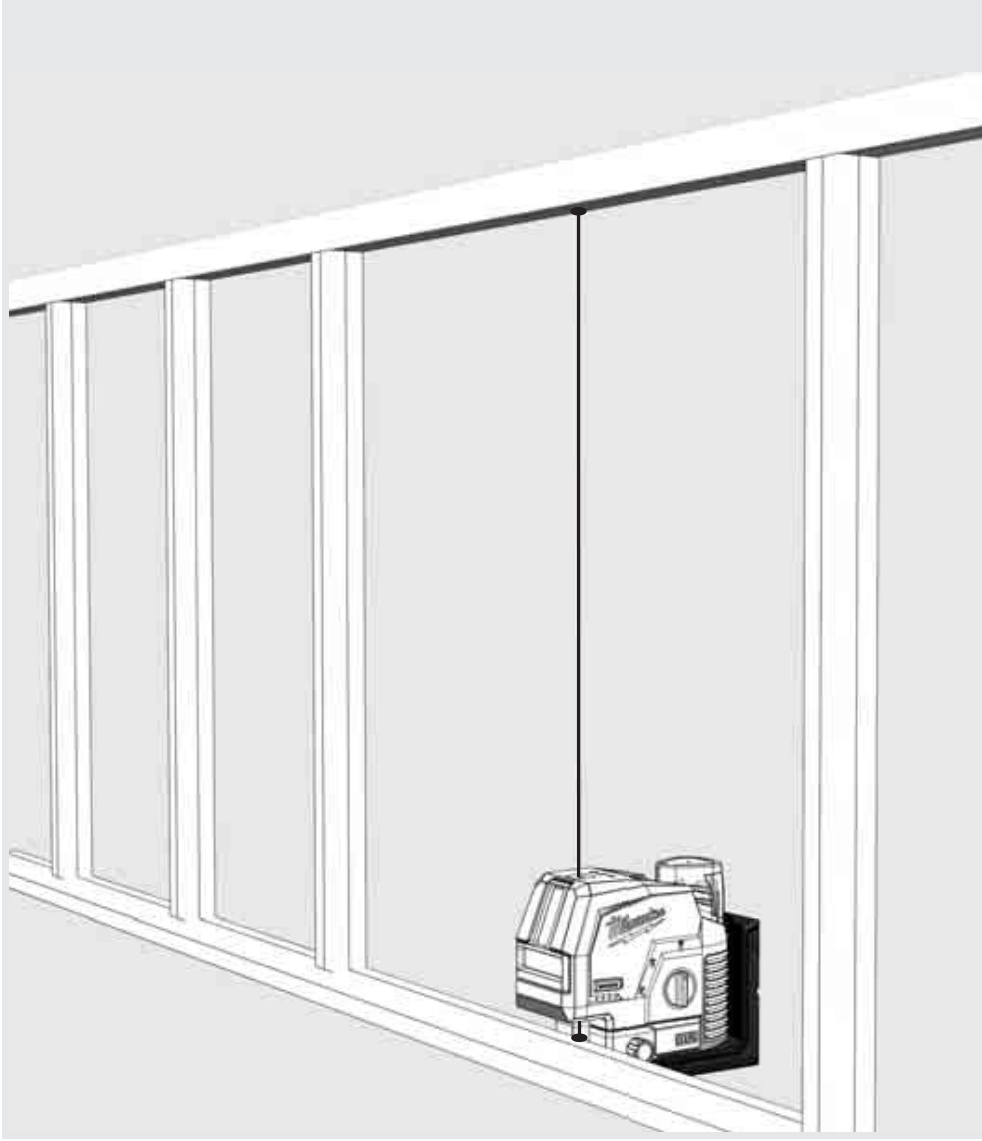
döner anahtarı şu konuma getirin: **OFF**.



ŞAKÜL FONKSİYONU

Şakül fonksiyonu ile zeminden tavana dikey bir nokta yansıtılabilir.

Şakül fonksiyonu örneğin aydınlatma ve havalandırma tesisatı için bir referans noktasının veya yüksekliklerin aktarılması için kullanılır.

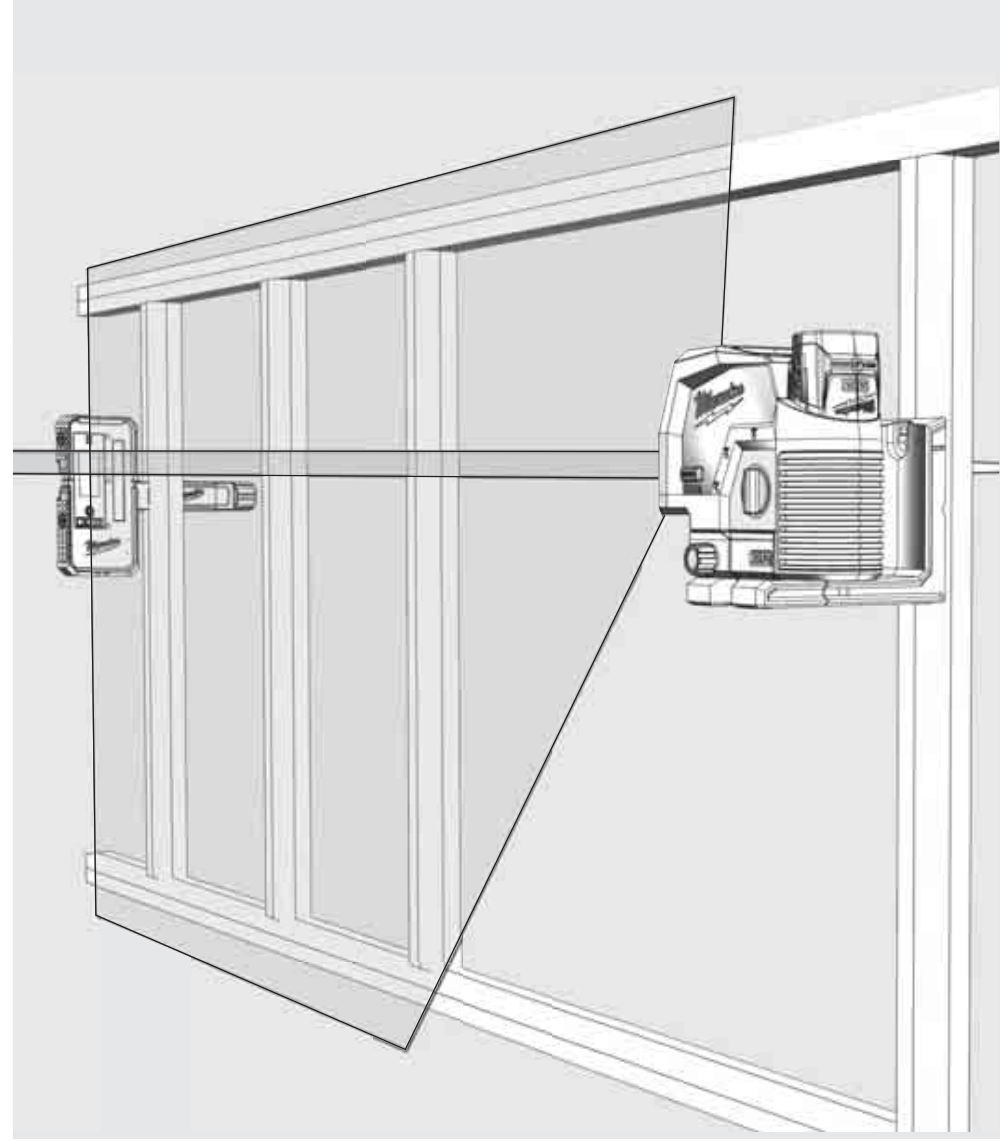


DETEKTÖR

Doğrudan güneş ışığı altında veya açık hava koşullarında dış mekanda çalışmak ve 50 metre kadar uzatılmış iç mekan mesafeleri için Milwaukee dedektörünü kullanın.

Dedektör teslimat kapsamına dahil değildir ve ayrı olarak satın alınması gerekmektedir.

Dedektörün kullanılmasıyla ilgili ayrıntılı bilgileri dedektörün kullanma kılavuzu içinde bulabilirsiniz.



HASSASLIĞIN KONTROL EDİLMESİ

Lazerin hassas ayarı fabrikada tamamlanmıştır. Milwaukee, lazerin hassaslığının düzenli aralıklarda, özellikle cihaz yere düştükten sonra veya hatalı kullanıldıktan kontrol edilmesini tavsiye etmektedir.

Hassaslığın kontrol edilmesi sırasında maksimum sapma aşıldığında, lütfen Milwaukee servis merkezlerimizden birine (bkz. garanti şartları ve servis merkezi adreslerini içeren liste) başvurunuz.

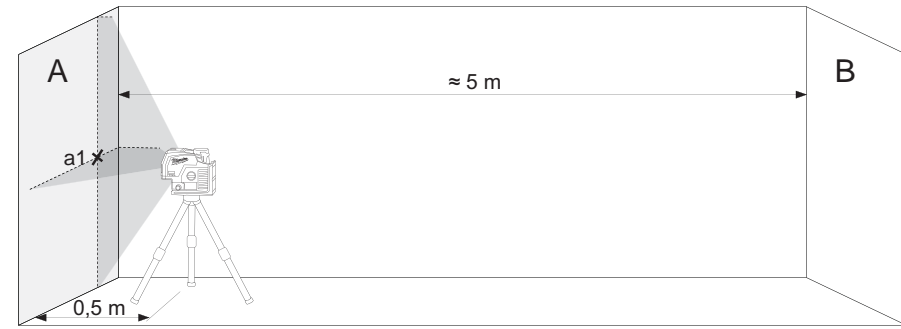
1. Yatay çizginin yükseklik hassaslığının kontrol edilmesi.
2. Yatay çizginin hizalama hassaslığının kontrol edilmesi.
3. Dikey çizginin hizalama hassaslığının kontrol edilmesi.
4. Şakül hassaslığının kontrol edilmesi.

Tripoid üzerine monte edilmiş lazerin hassaslığını kontrol etmeden önce tripoidin dengesini kontrol ediniz.

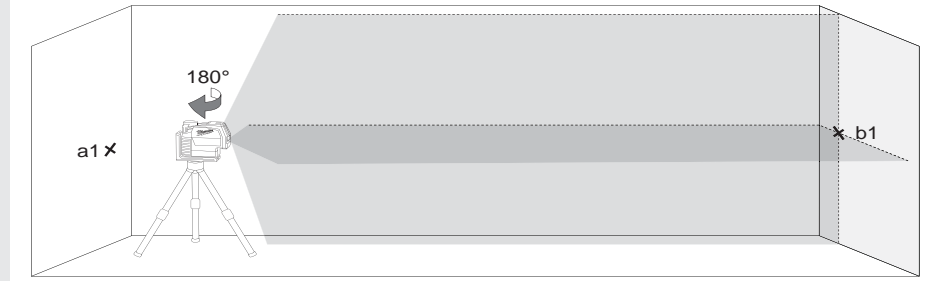


1 YATAY ÇİZGİNİN YÜKSEKLİK HASSASLIĞININ KONTROL EDİLMESİ (YUKARI VE AŞAĞI DOĞRU SAPMA)

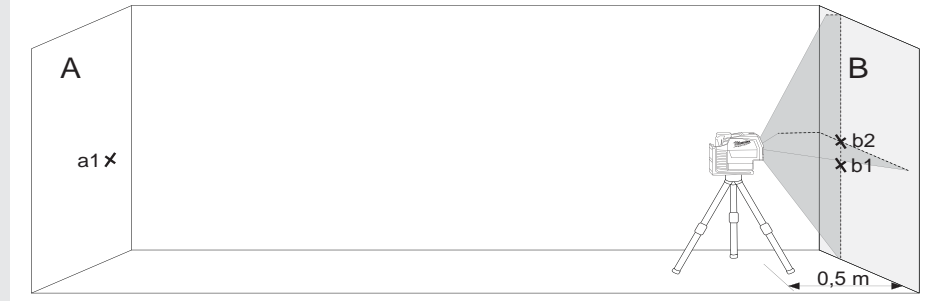
1. Lazeri bir tripoid üzerinde veya düz bir zemine birbirinden yakl. 5 m olan iki duvar A ve B arasına kurunuz.
2. Lazeri A duvarından yakl. 0,5 m mesafeye yerleştiriniz.
3. Otomatik hizalama modunu devreye alınız ve yatay ve dikey çizgiyi A duvarına yansıtmak için tuşa basınız.
4. İki çizginin kesiştiği noktayı A duvarına a1 noktası olarak işaretleyiniz.



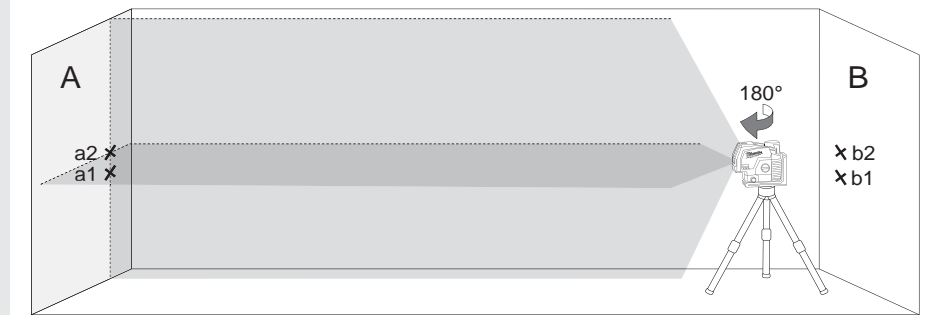
5. Lazeri B duvarına doğru 180° derece çeviriniz ve iki çizginin kesiştiği noktayı B duvarına b1 olarak işaretleyiniz.



6. Lazeri B duvarından yakl. 0,5 m mesafeye kurunuz.
7. İki çizginin kesiştiği noktayı B duvarına b2 noktası olarak işaretleyiniz.



8. Lazeri A duvarına doğru 180° derece çeviriniz ve iki çizginin kesiştiği noktayı A duvarına a2 olarak işaretleyiniz.



9. Mesafeleri ölçünüz:

$$\Delta a = |a2 - a1|$$

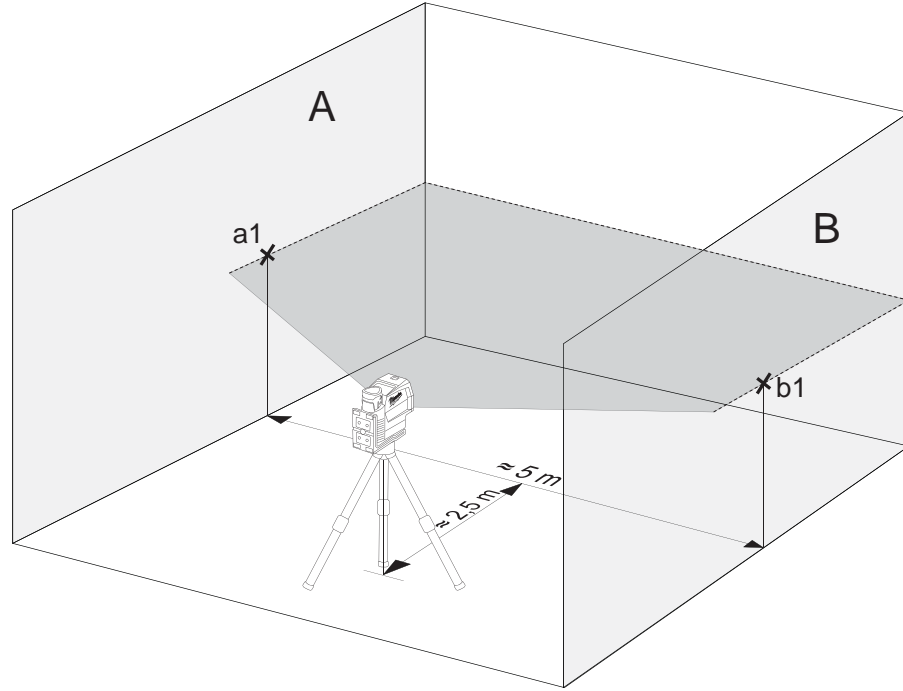
$$\Delta b = |b1 - b2|$$

10. $|\Delta a - \Delta b|$ arasındaki fark 2 mm üzerinde olmamalıdır.

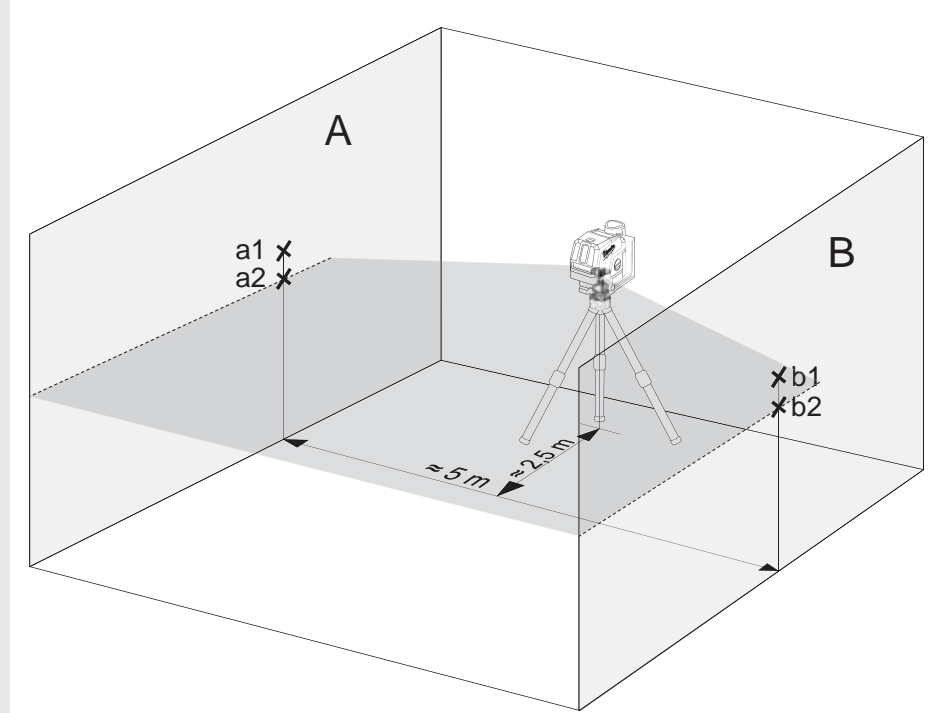
2 YATAY ÇIZGININ HIZALAMA HASSASLIĞININ KONTROL EDİLMESİ (BİR TARAFTAN DİĞER TARAFTA SAPMA)

Bu kontrol için yakl. 5 x 5 m boş alan gerekmektedir.

1. Lazeri bir tripod üzerinde veya sağlam bir zemine birbirinden yakl. 5 m olan iki duvar A ve B arasına kurunuz.
2. Lazeri odanın ortasından yakl. 2,5 m uzağa kurunuz.
3. Otomatik hizalama modunu devreye alınız ve yatay çizgiyi A ve B duvarına yansıtmak için tuşa basınız.
4. Lazer çizginin orta noktasını A duvarına a1 ve B duvarına b1 olarak işaretleyiniz.



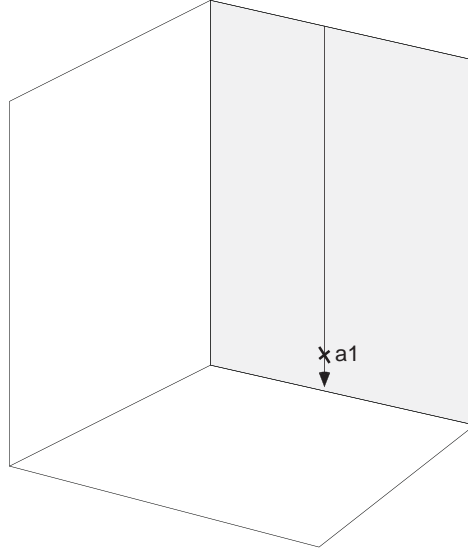
5. Lazerin yerini yakl. 5 m değiştiriniz ve 180° çeviriniz ve yatay çizgiyi tekrar A ve B duvarlarına yansıttınız.
6. Lazer çizginin orta noktasını A duvarına a2 ve B duvarına b2 olarak işaretleyiniz.



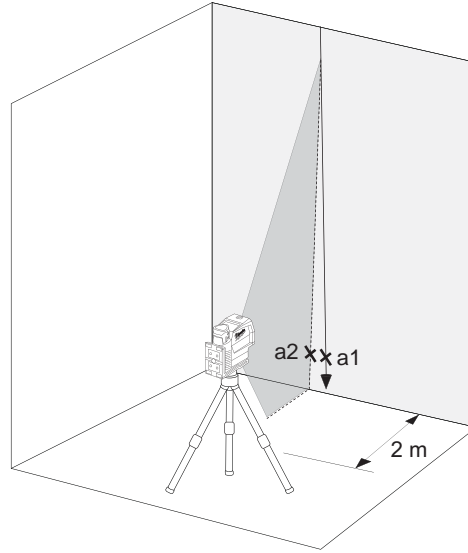
7. Mesafeleri ölçünüz:
 $\Delta a = |a2 - a1|$
 $\Delta b = |b1 - b2|$
8. $|\Delta a - \Delta b|$ arasındaki fark 2 mm üzerinde olmamalıdır.

3 DIKEY ÇİZGİNİN HIZALAMA HASSASLIĞININ KONTROL EDİLMESİ

1. Bir duvara yakl. 5 m uzunluğu olan bir şakül ipi asınız.
2. Kurşun ağırlığının salınması durduktan sonra a1 noktasını konik kurşunun üst kısmında duvara işaretleyiniz.



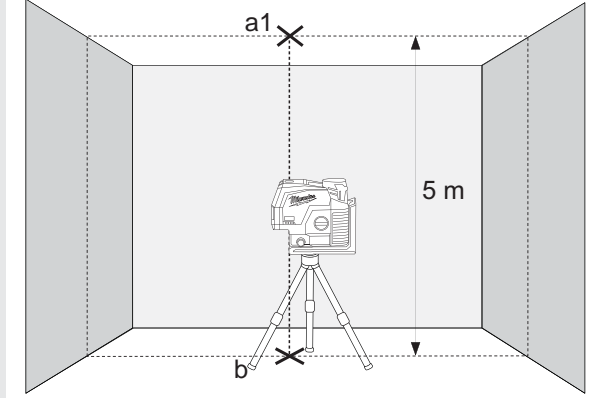
3. Lazeri bir tripod üzerinde veya düz bir zemine duvardan yakl. 2 m mesafeye kurunuz.
4. Otomatik hizalama modunu devreye alınız ve dikey çizgiyi şakül ipi üzerine yansıtmak için tuşa basınız.
5. Lazeri dikey L çizgisi asılı şakül ipi ile üst üste gelecek şekilde çeviriniz.
6. a2 noktasını dikey çizginin ortasında a1'in yüksekliğinde olacak şekilde duvara işaretleyiniz.
7. a1 ile a2 arasındaki mesafe 1 mm'den büyük olmamalıdır.



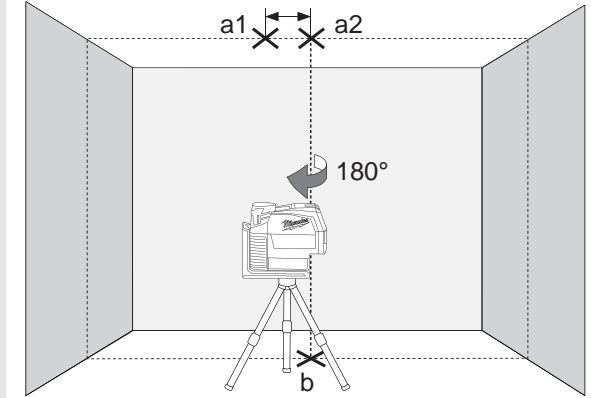
4 ŞAKÜL HASSASLIĞININ KONTROL EDİLMESİ

Bu kontrol için yakl. 5 m tavan yüksekliği olan bir oda gerekmektedir.

1. Çapraz lazere bir tripoda yerleştirin.
2. Kendiliğinden yayılma modunu AÇIN ve dolgun fonksiyona geçmek için düğmeye basın.
3. Tavandaki üst çekül noktasını a1 noktası olarak işaretleyin (resme bakın).
4. Zemindeki alt şakül noktasını b noktası olarak işaretleyin.



5. Lazeri, şakül noktasının orta noktası işaretlenmiş olan b noktası üzerine düşecek şekilde 180° çeviriniz ve pozisyona getiriniz ve cihaz hizalanana kadar bekleyiniz.
6. Tavandaki üst çekül noktasını a1 noktası olarak işaretleyin (resme bakın).
7. Tavandaki a1 ve a2 noktaları arasındaki mesafe, lazer çizgisinin ideal şakül dikeyinden ne kadar çok saptığını göstermektedir. 5 m ölçme mesafesinde mümkün olan maksimum sapma:
 $5 \text{ m} \times (\pm 0,6 \text{ mm/m}) \times 2 = \pm 6 \text{ mm}$.
8. a1 ile a2 arasındaki mesafe 6 mm'den büyük olmamalıdır.



OBSAH

Důležité bezpečnostní pokyny.....	157
Údržba.....	158
Technická data.....	158
Použití v souladu s účelem.....	158
Přehled.....	159
Zařízení.....	160
Vyměňte baterii.....	160
Indikátor kapacity baterie.....	161
Indikátor vybití baterie.....	161
Montáž na strop.....	161
Držák na zeď a zelený cílový talíř.....	162
Práce v režimu samonivelace.....	163
Práce v manuálním režimu.....	164
Funkce kolmice.....	165
Detektor.....	165
Kontrola přesnosti.....	166

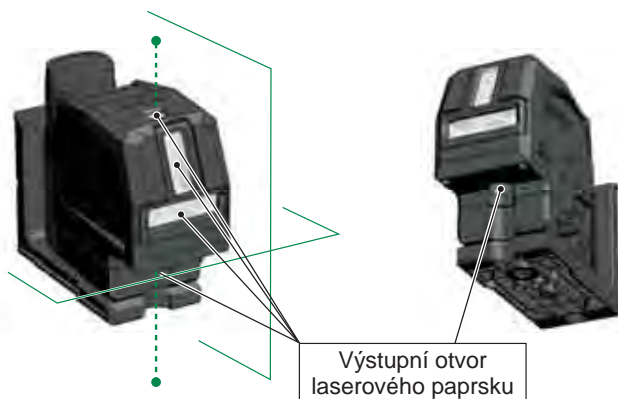
DŮLEŽITÉ BEZPEČNOSTNÍ POKYNY



POZOR! VAROVÁN! NEBEZPEČÍ!

Než začnete výrobek používat, prostudujte si bezpečnostní pokyny a návod k obsluze.

Klasifikace laseru



UPOZORNĚNÍ:

Jedná se o laserový výrobek třídy 2 podle normy EN60825-1:2014.



UPOZORNĚNÍ:

Oči nevystavujte přímo působení laserového paprsku. Laserový paprsek může způsobit závažné poškození očí a/nebo oslepnutí.

Nedívejte se přímo do laserového paprsku a paprskem nikdy zbytečně nemiřte přímo na jiné osoby.

Opatrně! Při některých způsobech použití se může zařízení emitující laser nacházet za vámi. V takovém případě se otáčejte opatrně.

UPOZORNĚNÍ:

Neprovozujte laser v blízkosti dětí ani nedovolte dětem laser obsluhovat.

Pozor! Reflexní povrch by mohl laserový paprsek odrazit zpět na obsluhu nebo jiné osoby.

Výstraha: Použití ovládacích prvků, nastavení nebo zrealizování jiných postupů než bylo stanoveno v příručce, může vést k nebezpečnému ozáření.

Když se laser přemístí z velmi studeného prostředí do teplého prostředí (nebo naopak), musí před použitím dosáhnout teploty okolního prostředí.

Laser neuskładňujte venku a chraňte jej před úderem, trvalými vibracemi a extrémními teplotami.

Laserový měřicí přístroj chraňte před prachem, mokřím prostředím a vysokou vzdušnou vlhkostí. Tyto vlivy mohou zničit vnitřní součástky nebo ovlivnit přesnost měření.

Pokud laserové záření zasáhne oko, oči zavřete a hlavu okamžitě odvráťte od paprsku.

Dbejte na to, aby byl laserový paprsek umístěn tak, aby nemohl oslepit ani vás, ani jiné osoby.

Do laserového paprsku se nedívejte pomocí optických zvětšovacího zařízení, jako jsou dalekohledy nebo teleskopy. V opačném případě se zvýší nebezpečí závažného poškození očí.

Nezapomeňte, že brýle na zviditelnění laserového paprsku slouží na lepší rozpoznání laserových čar, oči však před laserovým zářením nechrání.

Výstražné štítky na laserovém přístroji se nesmějí odstraňovat nebo znehodnocovat.

Laser nerozebírejte. Laserové záření může způsobit vážné zranění očí.

Před přepravou laseru zajistěte, aby bylo výkyvné blokovací zařízení zajištěné.

Upozornění: Pokud výkyvné blokovací zařízení není zajištěné, může během přepravy dojít k poškozením uvnitř přístroje.


Nepoužívejte žádné agresivní čisticí prostředky nebo rozpouštědla. Čistěte jen čistým měkkým hadříkem.


Laser chraňte před prudkými nárazy a pády. Po pádu nebo silných mechanických vlivech se před použitím musí zkontrolovat přesnost přístroje.

Potřebné opravy na tomto laserovém přístroji smí realizovat jen autorizovaný odborný personál.

Nepoužívejte výrobek v prostorách s nebezpečím výbuchu nebo v agresivním prostředí.

Pokud přístroj nebudete delší dobu používat, z příhrádky na baterie vyjměte ven baterie. Tím můžete zabránit vytečení baterií a vzniku škod způsobených korozi.

 Vybité baterie nesmí být likvidovány jako komunální odpad. Pečujte o životní prostředí a baterie odevzdejte na sběrných místech ustanovených v souladu s národními nebo místními předpisy. Výrobek nevhazujte do komunálního odpadu. Výrobek patřičně zlikvidujte v souladu s národními předpisy platnými ve vaší zemi. Dodržujte národní předpisy a doporučení. Ohledně získání informací o likvidaci se obraťte na místní úřady nebo na vašeho prodejce.

 Značka shody v Evropě

UDRŽBA

Objektiv a kryt laseru čistěte čistým měkkým hadříkem. Nepoužívejte žádná rozpouštědla.

I když je laser do určité míry odolný vůči prachu a nečistotám, neměl by se dlouhodoběji uskláňovat na prašném místě, nebo v opačném případě by se mohly poškodit jeho vnitřní pohyblivé části.

Pokud by se laser zamokřil, musí se před použitím vysušit v přenosném kufříku, aby nemohly vzniknout žádné škody způsobené korozí.

TECHNICKÁ DATA

Třída laseru	2
Oblast samonivelace	± 4°
Doba samonivelace	3 s
Typ baterie	Li-Ion
Napětí DC	12V ---
Druh ochrany (stříkající voda a prach)	IP54*
Max. výšková poloha	2000 m
Relativní vlhkost vzduchu max.	80%
Stupeň znečištění v souladu s IEC 61010-1	2**
Doba pulzu t_p	≤ 80 μs
Funkce	horizontální čára, vertikální čára, čáry kříže, funkce kolmice (2 body)
Frekvence	10 kHz
Promítání	2 zelené čáry, 2 body zelené
Množství diod	2
Typ diody	30 mW
Schéma výstupu laserových čar	Jeden vodorovný, jeden svislý + 2 olovnice nahoru a dolů, křížová čára + 2 otahy (nahoru a dolů).
Provozní čas	15 hodin s výměnným akumulátorem M12 3.0 Ah
Závit stojanu	1/4" / 5/8"
Vhodný detektor	Milwaukee LLD50

Laserní čára	Šířka < 9,53mm @ 30m
	Vlnová délka 510 - 530 nm třída laseru II
	Maximální výkon ≤ 7 mW
	Přesnost +/- 3 mm / 10 m
	Úhel otevření vertikální čára > 120°; horizontální čára > 114°
	Barva zelená
	Dosah 38 m (s detektorem 50 m)
Bod kolmice	Vlnová délka laserového bodu 510 - 530 nm třída laseru II
	Max. výkon laserového bodu < 1 mW
	Přesnost kolmice +/- 3 mm / 10 m
	Barva laserového bodu zelená
	Dosah 30 m
Doporučená provozní teplota	-10 °C až +40 °C
Teplota pro skladování	-20 °C až +50 °C
Doporučené typy akumulátorů	M12 B..
Rozměry	170 mm x 82 mm x 148 mm
Hmotnost (vč. baterií)	1205 g

* Lithium-iontová baterie a přihrádka na baterie jsou z IP54 vyjmuty.

** Vyskytují se pouze nevodivé nečistoty, přičemž je ale občas možné očekávat z důvodu orosení dočasnou vodivost.

POUŽITÍ V SOULADU S ÚČELEM

Výrobek je určen zejména pro použití v interiérech. Při použití venku musíte dávat pozor na to, aby rámcové podmínky odpovídaly těm, které byly stanoveny pro interiér.

Tento inovativní laser je dimenzovaný pro širokou profesionální oblast použití, jako např.:

- Vyrovnání obkladů, mramorových desek, skříněk, lemů, výlisků a obrub
- Vyznačení základních linií zabudování dveří, oken, lišt, schodů, plotů, bran, verand a pergol.
- Na stanovení a prověření horizontálních a vertikálních čar.
- Nivelování zavěšených stropů a potrubí, rozvrhnutí oken a vyrovnání trubek, nivelování obvodových stěn pro elektroinstalace

Tento produkt se smí používat jen v souladu s uvedeným účelem použití.

olovo

Okno svislé laserové čáry

Okno na horizontální laserovou čáru

Tlačítko módu

Krátké stisknutí: Vyberte si mezi laserovými čarami:

- horizontální
- vertikální + funkce kliky
- křížové linie + funkce kliky

Dlouhé stisknutí: přepnutí normálního režimu / režimu úspory energie

LED displej kapacita baterie

20 ° mikro nastavení (+/- 10 ° od středu)

olovo

Držák stativu 5/8 "

Držák stativu 1/4 "



Laserová čára LED displeje

- horizontální
- | vertikální
- + křížová čára

M12 Balíček baterií

Značení pro horizontální laserový paprsek

Otočný knoflík

- OFF Vypnuto / uzamčeno
- ON Zapnuto / ruční režim
- ON Zapnuto / samovyrovnávací režim

Magnetický držák

Montáž na strop



ZÁŘIZENÍ

Příslušenství - Není součástí standardního vybavení, dodává se jako příslušenství.

Terminál LM360



Detektor LLD50

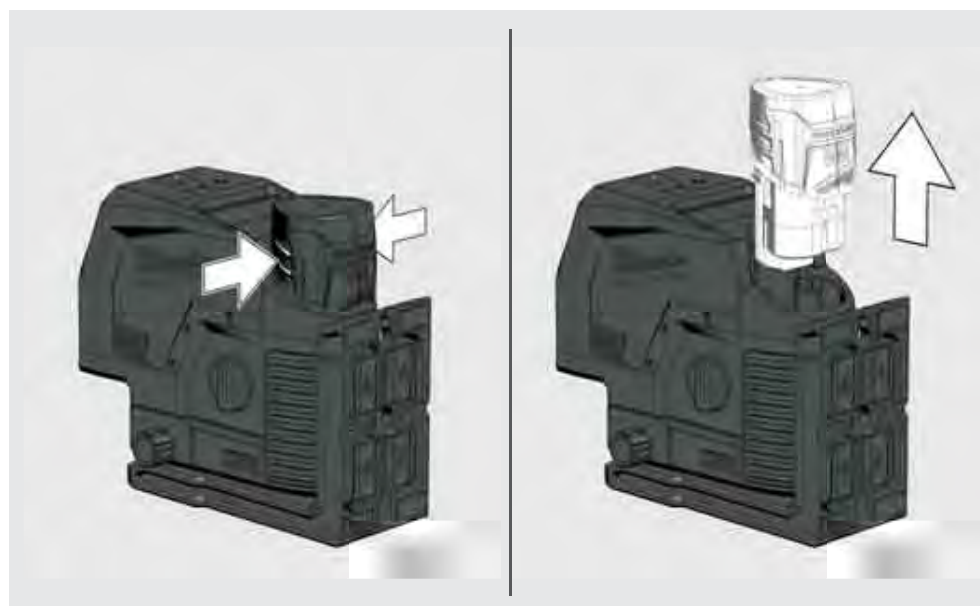
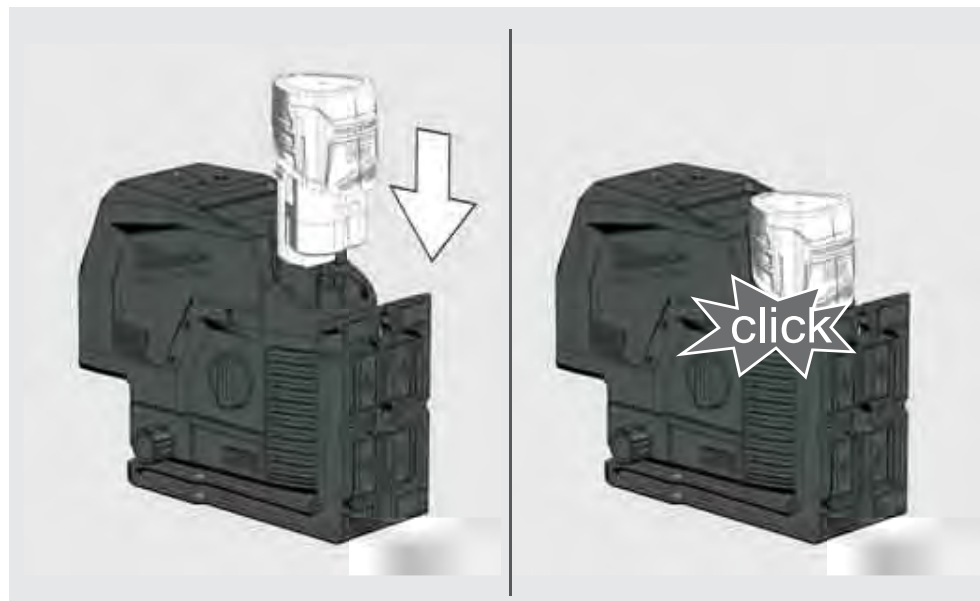


Stativ TRP180



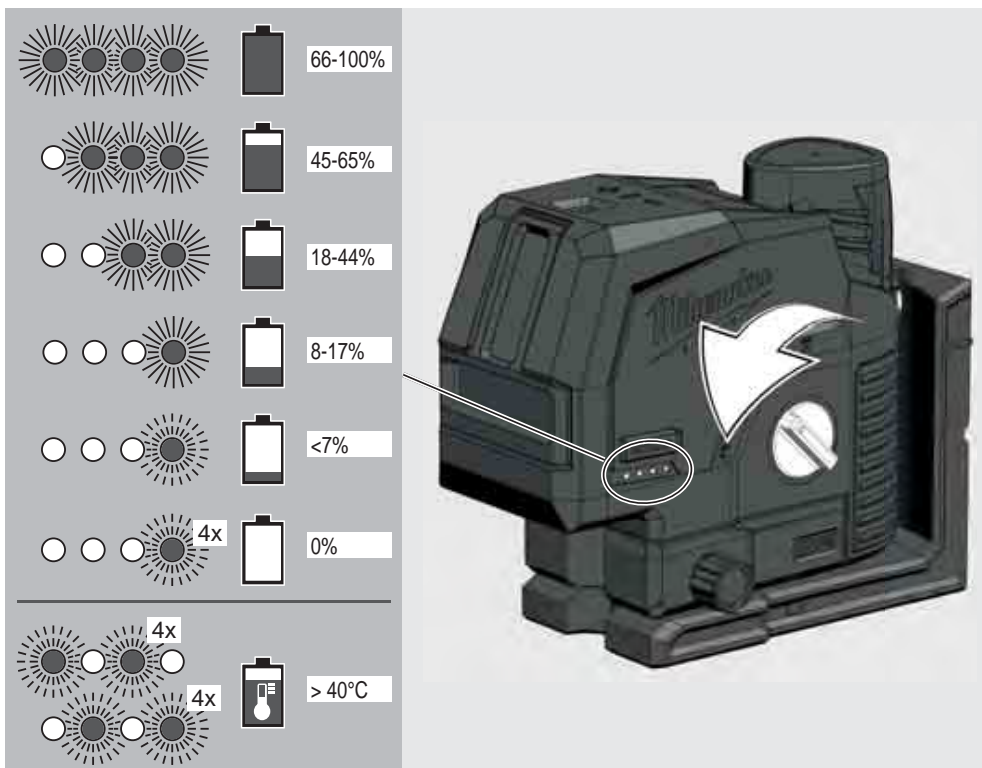
VYMĚŇTE BATERII

Používejte pouze nabíjecí baterii Milwaukee M12.



INDIKÁTOR KAPACITY BATERIE

Po zapnutí nebo vypnutí laseru bude palivoměr ukazovat životnost baterie.



INDIKÁTOR VYBITÍ BATERIE

Při nízkém napětí se laser přepne do úsporného režimu.

Laser bliká v samonivelačním režimu

4 sec. 1 sec.

Laser bliká v manuálním režimu

8 s 1 s.

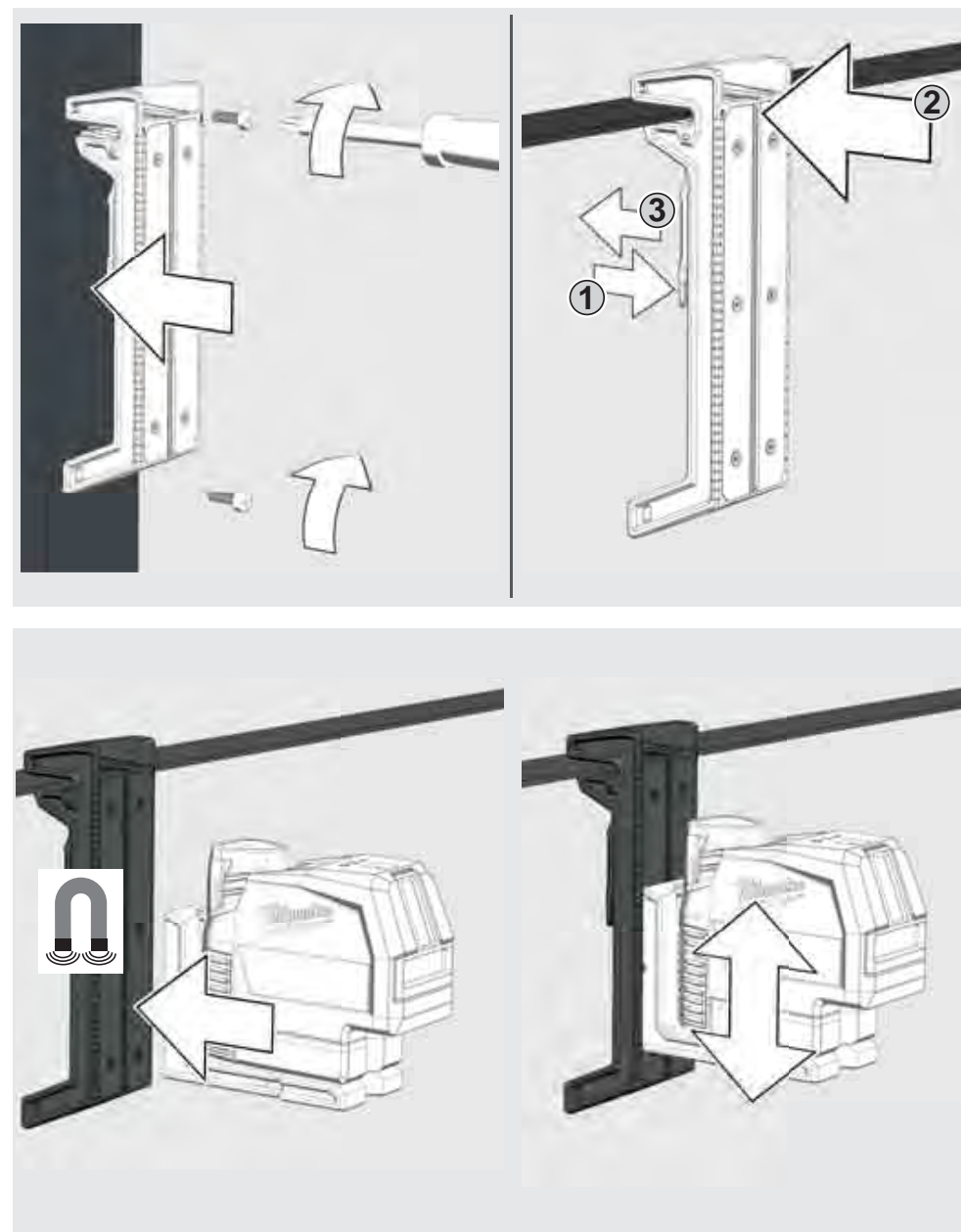
Od této chvíle je stále možné pokračovat v práci.

Když je napětí nízké, laser a LED 4krát zablikají a automaticky se vypne.

MONTÁŽ NA STROP

Upevněte sponu pomocí šroubů na sloupek.

Pomocí držáku na stropu upněte laser na stropní kanály, stojany ...

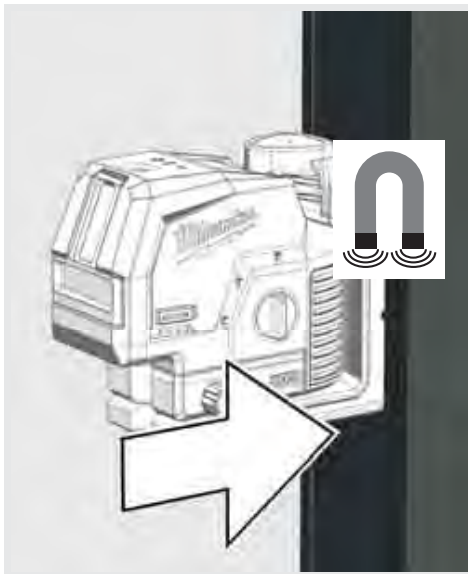


DRŽÁK NA ZED A ZELENÝ CÍLOVÝ TALÍŘ

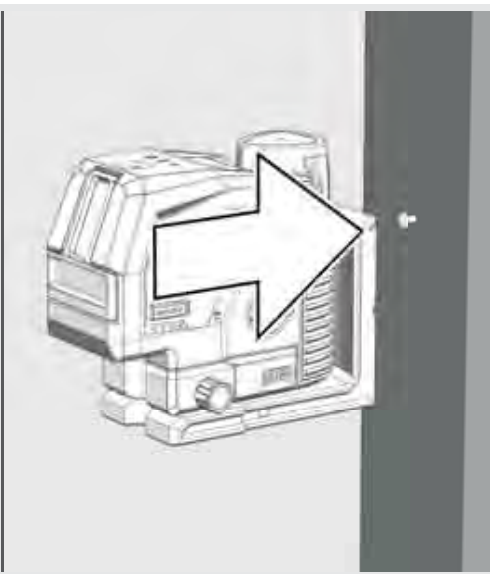
Pomocí magnetického držáku se dá laser připevnit na stěny, kovové struktury apod.

Nebo připevněte šroubem nebo hřebíkem na sloupek.

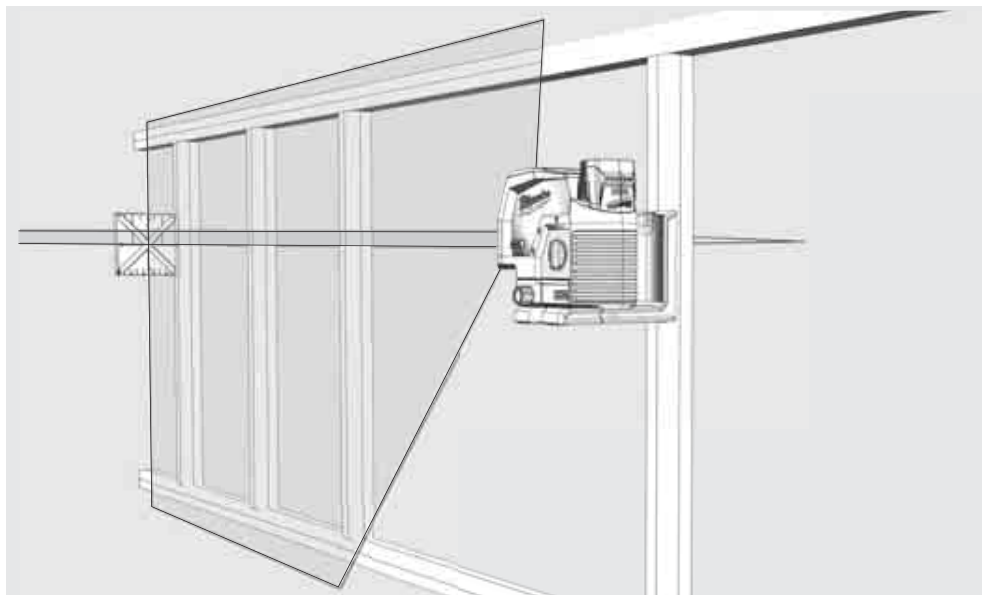
Použijte zelenou cílovou desku ke zlepšení viditelnosti laserového paprsku za nepříznivých podmínek a na větší vzdálenosti.



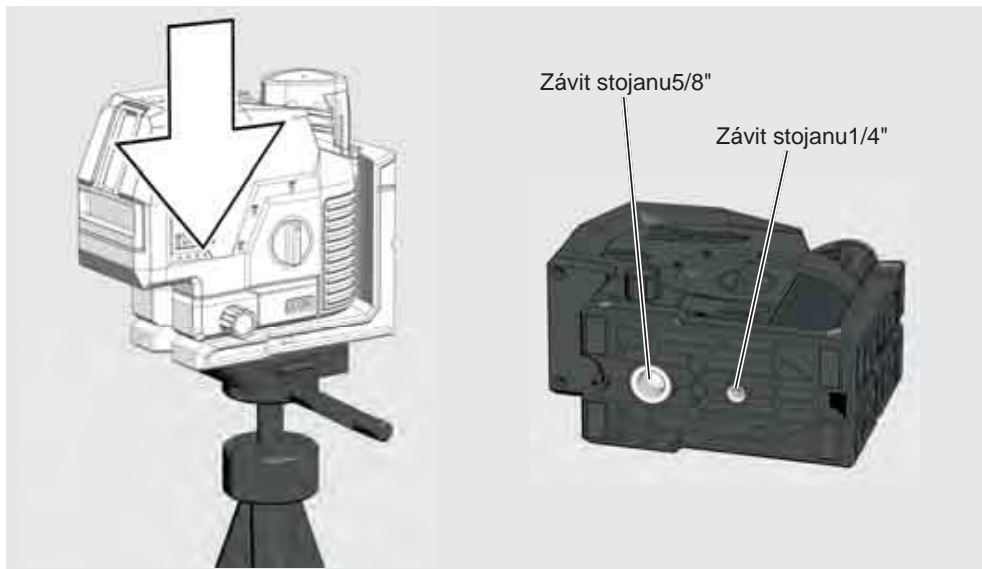
Otočte laserem o 360 °.



Použijte nastavovací knoflík pro 20 ° otočné mikro nastavení



Upevněte laser na stativ pomocí držáku stativu.

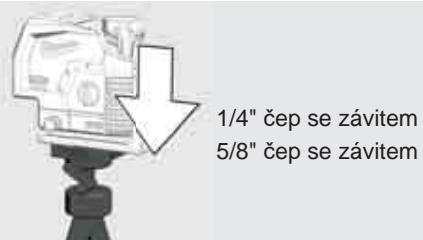


PRÁCE V REŽIMU SAMONIVELACE


V režimu samonivelace se laser vyrovná samostatně v rozsahu $\pm 4^\circ$. Kvůli tomu se promítne jedna horizontální čára, jedna vertikální čára nebo obě čáry současně.

1

Laser postavte na pevný, rovný podklad bez vibrací nebo jej namontujte na stojan.



2

Otočte otočný přepínač do polohy: 



3

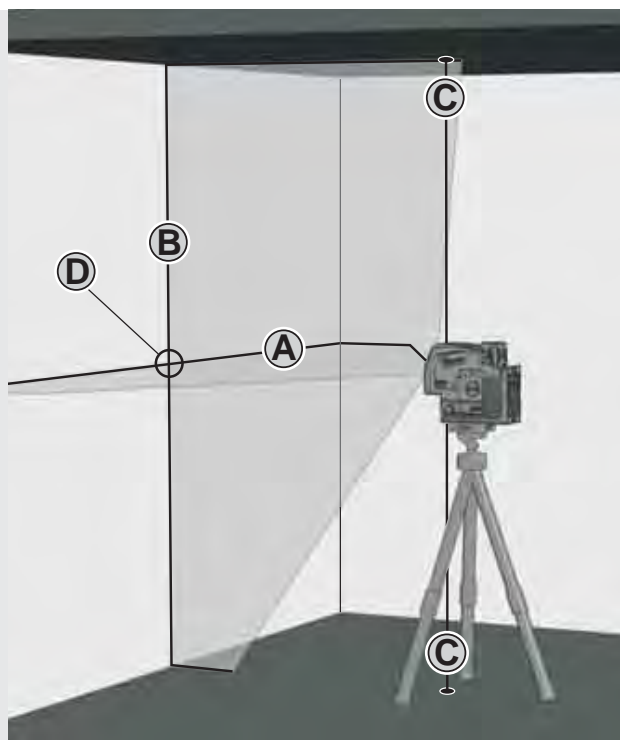
Laser vytváří 2 laserové čáry.

(A) Horizontální čára směrem dopředu

(B) Vertikální čára směrem dopředu

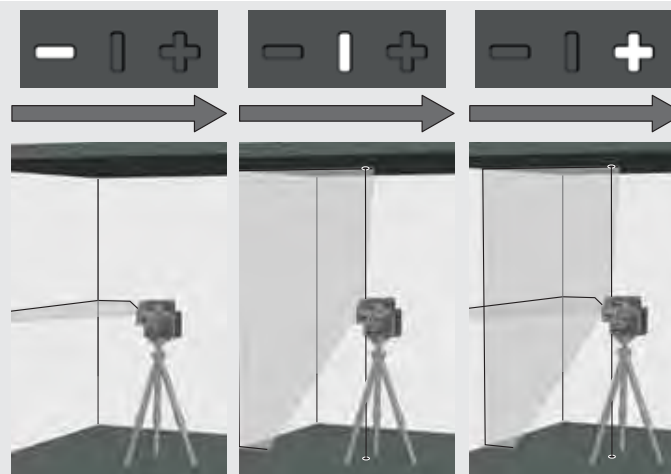
(C) Laserový bod

(D) Když jsou aktivované všechny čáry, laser vytváří čáry kříže směrem dopředu.



4

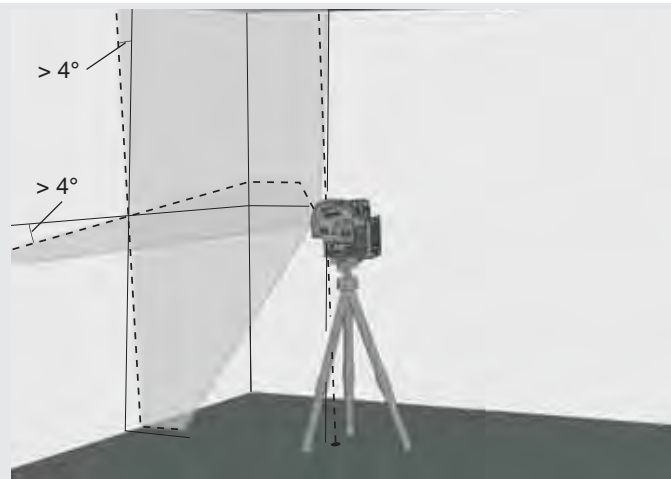
Požadované čáry si navolíte pomocí tlačítka.




5

Když se laser při aktivovaném režimu samonivelace na začátku nevyrovná na $\pm 4^\circ$, laserové čáry blikají.

V takovém případě musíte laser znovu umístit.



6

Před přesunutím laseru přepněte otočný přepínač do polohy . Díky tomu se zaaretuje kyvadlo a laser je chráněný.



PRÁCE V MANUÁLNÍM REŽIMU

V manuálním režimu je funkce samonivelace deaktivovaná a laser se dá nastavit na libovolný sklon laserových čar.

1

Laser postavte na pevný, rovný podklad bez vibrací nebo jej namontujte na stojan.



2

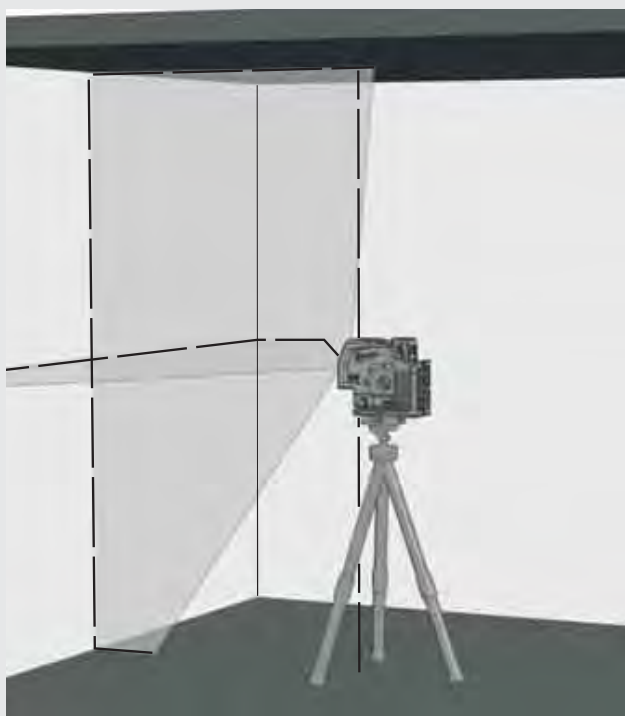
Otočte otočný přepínač do polohy: **ON**.



3

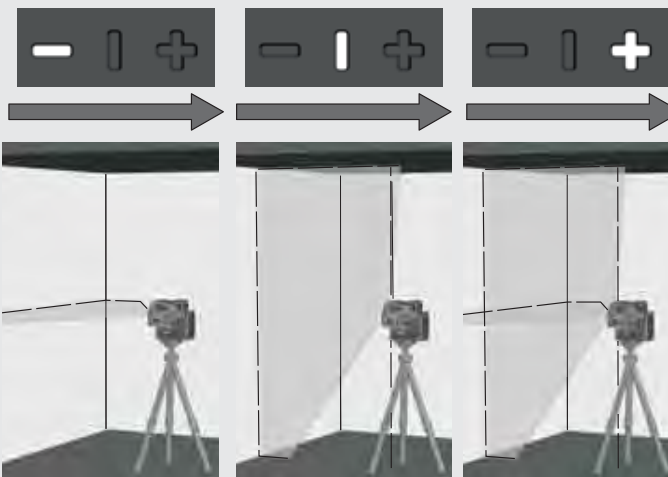
Tak, jako v režimu samonivelace, vytváří laser 2 laserové čáry, které jsou však každé 8 sekundy přerušované.

8 sek. 8 sek. 8 sek.



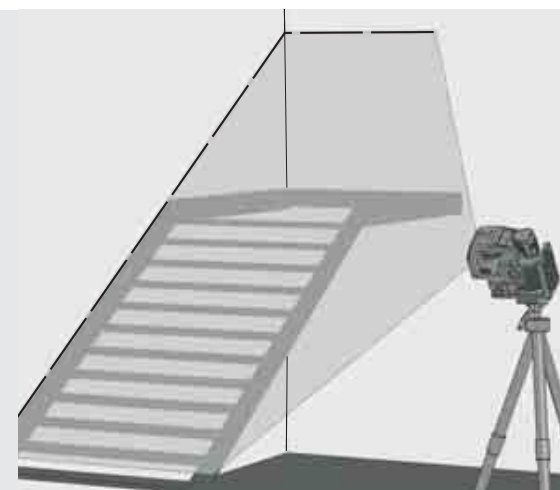
4

Požadované čáry si navolíte pomocí tlačítka.



5

Laser pomocí stojanu nastavte na požadovanou výšku a požadovaný sklon.



6

Chcete-li ukončit ruční režim,

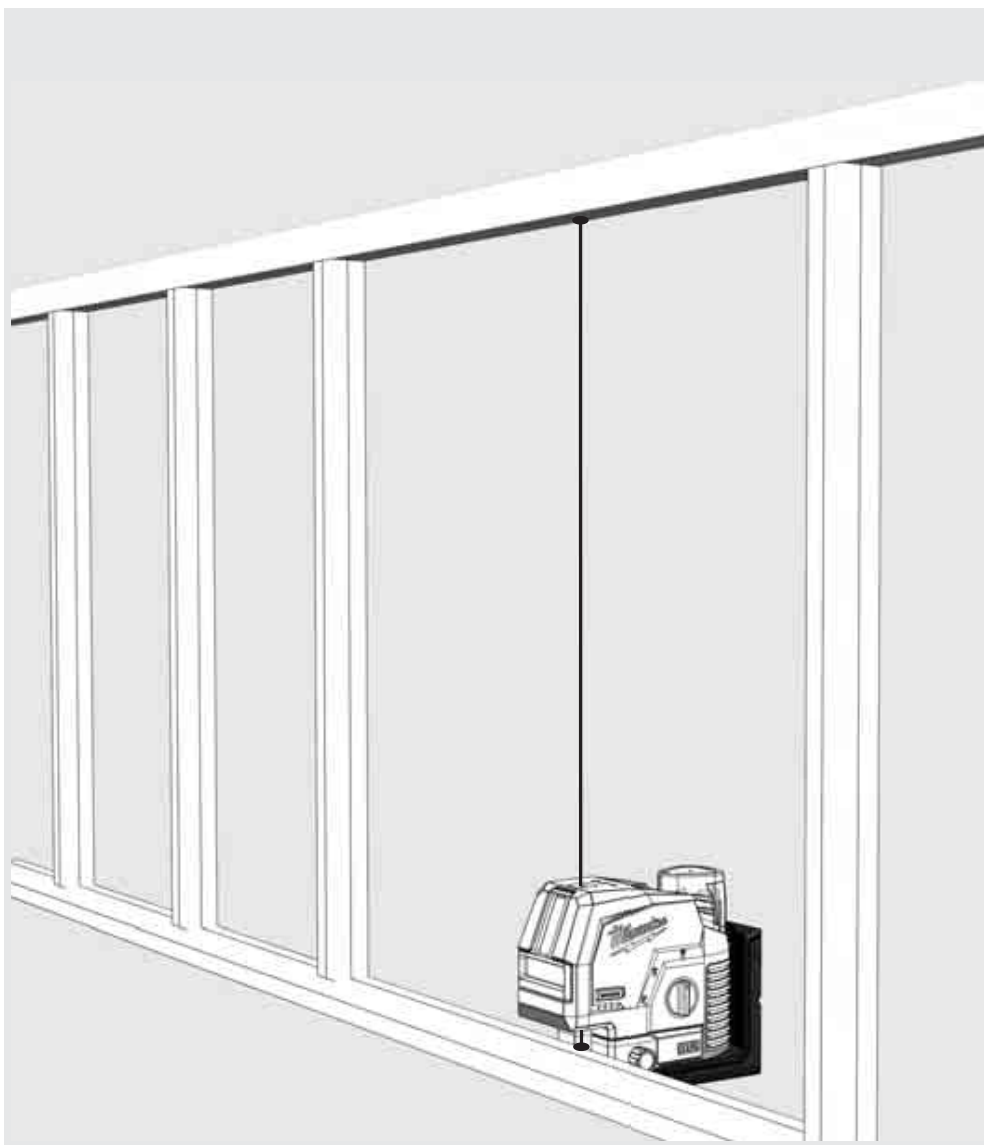
Otočte otočný přepínač do polohy: **ON**
nebo
otočte otočný přepínač do polohy: **OFF**.



FUNKCE KOLMICE

Pomocí funkce kolmice se dá bod na podlaze kolmo promítnout na strop.

Funkce kolmice slouží např. na přenesení referenčního bodu při instalaci osvětlení a ventilace nebo na přenesení výšek.

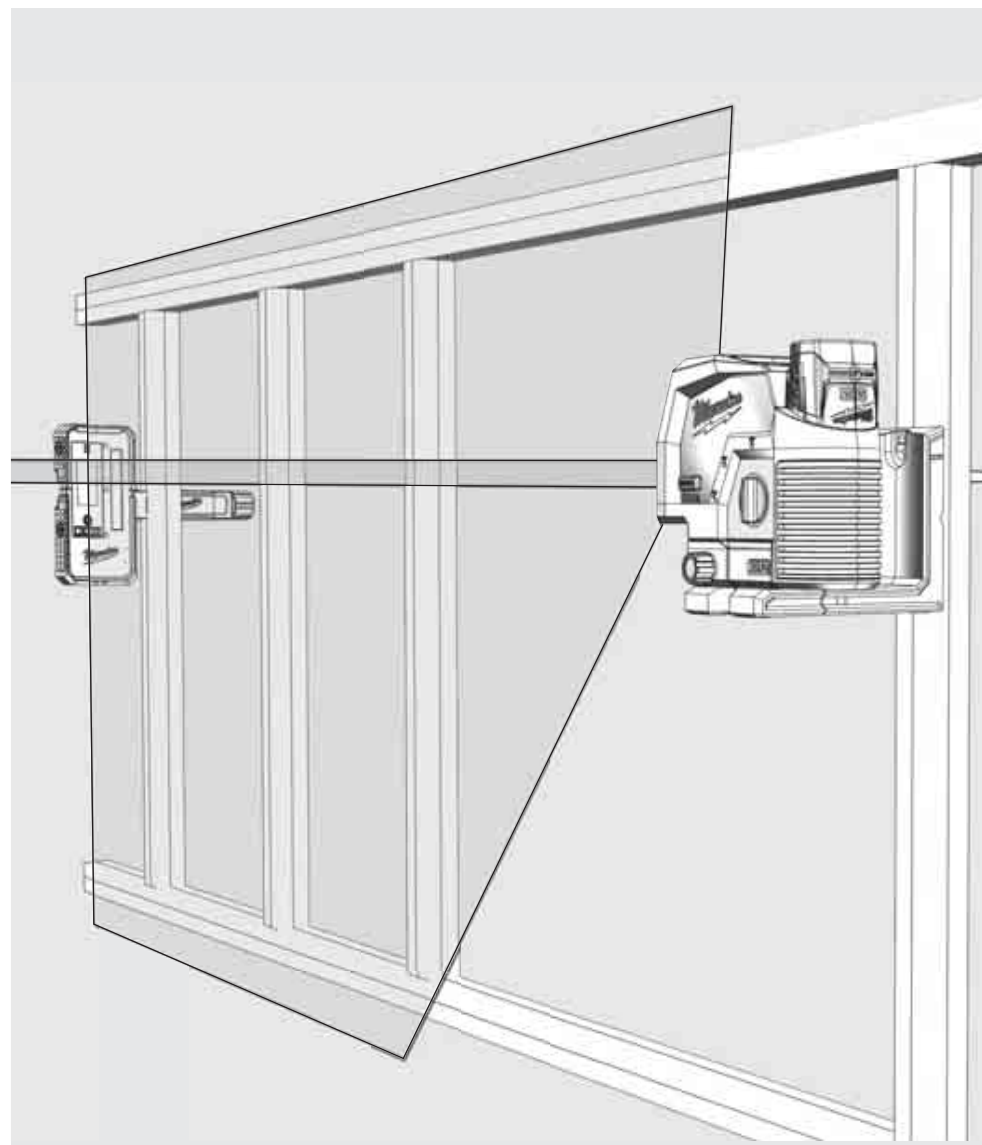


DETEKTOR

Pro práci v exteriéru za přímého slunečního světla nebo za jasných podmínek a pro delší dosahy do 50 metrů použijte detektor Milwaukee.

Detektor není součástí dodávky a musí se zakoupit zvlášť.

Podrobné informace o použití detektoru najdete v návodu k použití detektoru.



Laser je kalibrován výrobcem. Milwaukee doporučuje přesnost laseru pravidelně prověřovat, především však po pádu nebo v důsledku chybné obsluhy.

Při překročení maximální odchylky při kontrole přesnosti se obraťte na naše servisní středisko spol. Milwaukee (viz seznam se záručními podmínkami a adresami servisních středisek).

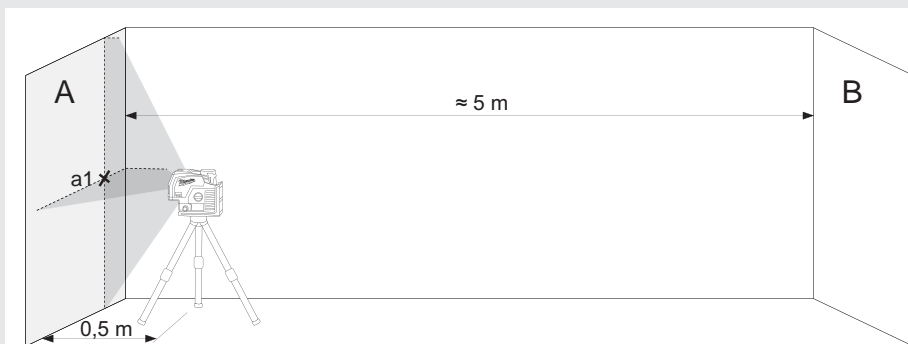
1. Prověřte přesnost výšky horizontální čáry.
2. Prověřte přesnost nivelace horizontální čáry.
3. Prověřte přesnost nivelace vertikální čáry.
4. Prověřte přesnost kolmice.

Před prověřením přesnosti laseru namontovaného na stojanu zkontrolujte nivelaci stojanu.

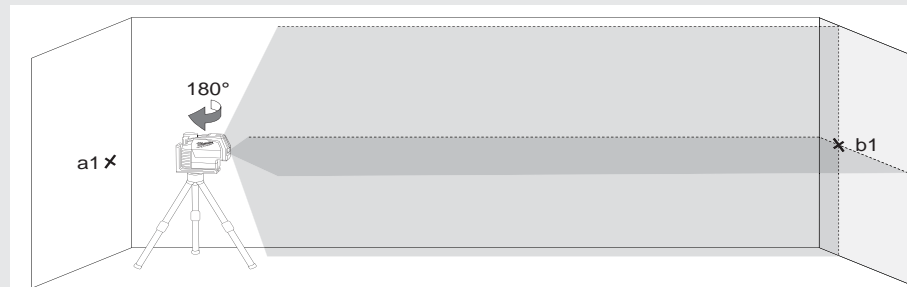


1 PROVĚŘENÍ PŘESNOSTI VÝŠKY HORIZONTÁLNÍ ČÁRY (ODCHYLKA SMĚREM NAHORU A DOLŮ)

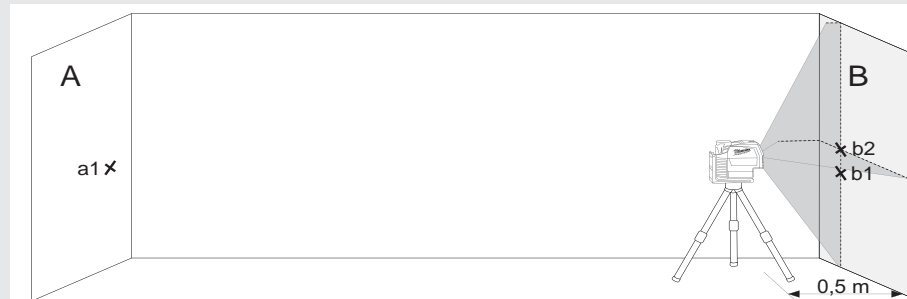
1. Laser nainstalujte na stojan nebo na rovný podklad mezi dvěma stěnami A a B, které jsou od sebe vzdálené asi 5 m.
2. Laser umístěte přibližně 0,5 m od stěny A.
3. Zapněte režim samonivelace a stiskněte tlačítko, aby se horizontální a vertikální čára promítla na stěnu A.
4. Průsečík dvou čar si na stěně A označte jako bod a1.



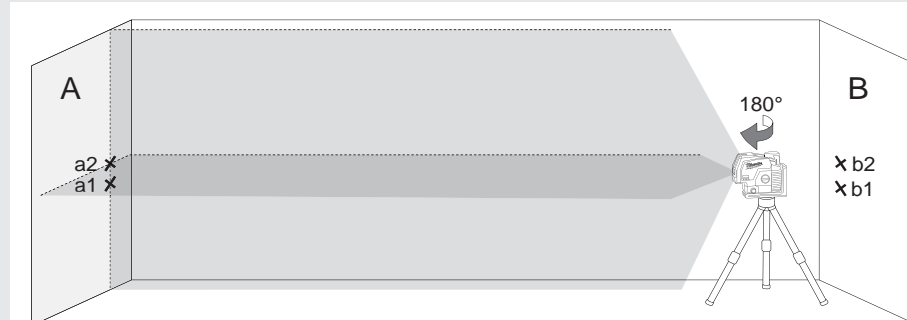
5. Laser otočte o 180° směrem ke stěně B a průsečík dvou čar označte na stěně B jako bod b1.



6. Laser umístěte přibližně 0,5 m od stěny B.
7. Průsečík dvou čar označte na stěně B jako bod b2.



8. Laser otočte o 180° směrem ke stěně A a průsečík dvou čar označte na stěně A jako bod a2.



9. Změřte vzdálenosti:

$$\Delta a = |a2 - a1|$$

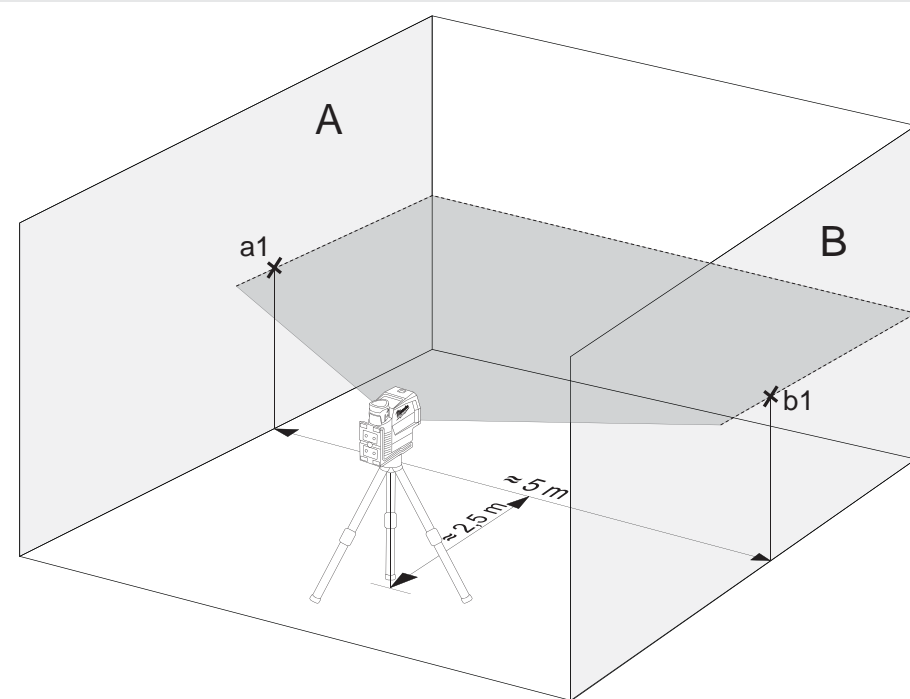
$$\Delta b = |b1 - b2|$$

10. Rozdíl $|\Delta a - \Delta b|$ nesmí být větší než 2 mm.

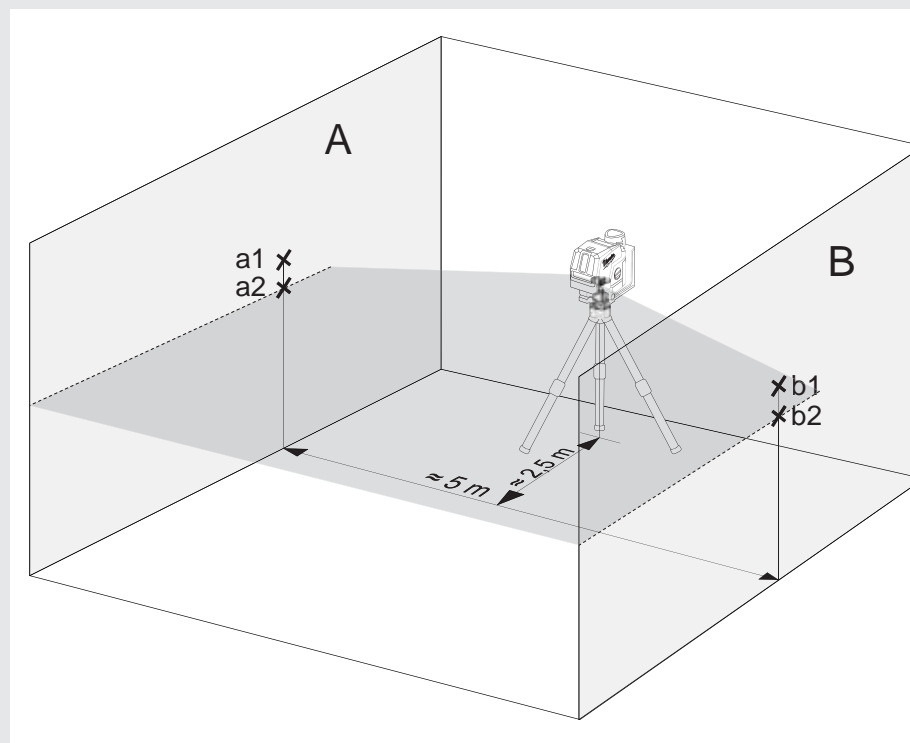
2 PROVĚŘENÍ PŘESNOSTI NIVELACE HORIZONTÁLNÍ ČÁRY (ODCHYLKA OD JEDNÉ STRANY KE DRUHÉ)

Na tuto kontrolu budete potřebovat volnou plochu o rozměrech asi 5 x 5 m.

1. Laser nainstalujte na stojan nebo na pevný podklad mezi dvěma stěnami A a B, které jsou od sebe vzdálené asi 5 m.
2. Laser umístěte přibl. 2,5 m od středu místnosti.
3. Zapněte režim samonivelace a stiskněte tlačítko, aby se horizontální čára promítla na stěny A a B.
4. Střed laserové čáry na stěně A si označte pomocí bodu a1 a na stěně B pomocí bodu b1.



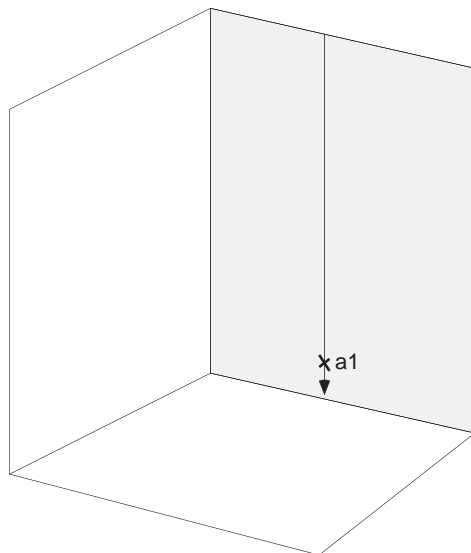
5. Laser přemístěte přibl. o 5 m a otočte o 180° a horizontální čáru opět promítněte na stěny A a B.
6. Střed laserové čáry na stěně A si označte pomocí bodu a2 a na stěně B pomocí bodu b2.



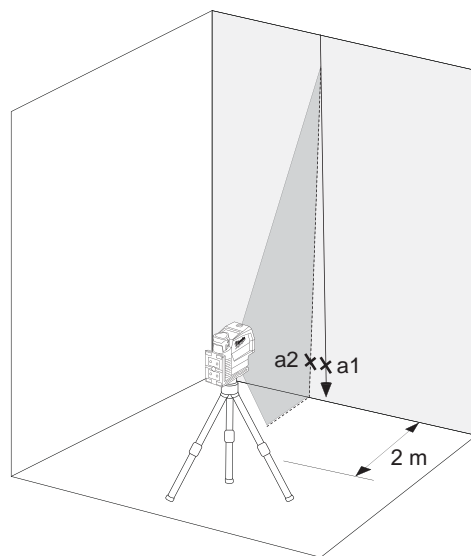
7. Změřte vzdálenosti:
 $\Delta a = |a2 - a1|$
 $\Delta b = |b1 - b2|$
8. Rozdíl $|\Delta a - \Delta b|$ nesmí být větší než 2 mm.

3 PROVĚŘENÍ PŘESNOSTI NIVELACE VERTIKÁLNÍ ČÁRY

1. Na jednu stěnu zavěste asi 4 m dlouhou šňůru olovnice.
2. Když se olovnice přestane kývat, na stěně si označte bod a1 nad kuzelem olovnice.



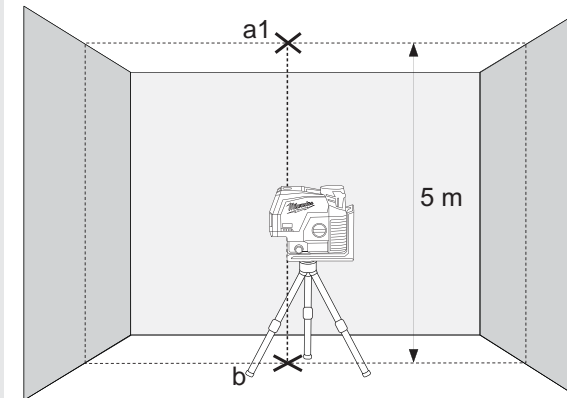
3. Laser nainstalujte na stojan nebo na rovný podklad ve vzdálenosti přibližně 2 m od stěny.
4. Zapněte režim samonivelace a stiskněte tlačítko, aby se vertikální čára promítla na šňůru olovnice.
5. Laser otočte tak, aby byla vertikální čára v souladu se zavěšenou šňůrou olovnice.
6. Bod a2 ve středě vertikální čáry si označte ve stejné výšce jako bod a1 na stěně.
7. Rozdíl mezi bodem a1 a bodem a2 nesmí být větší než 1 mm.



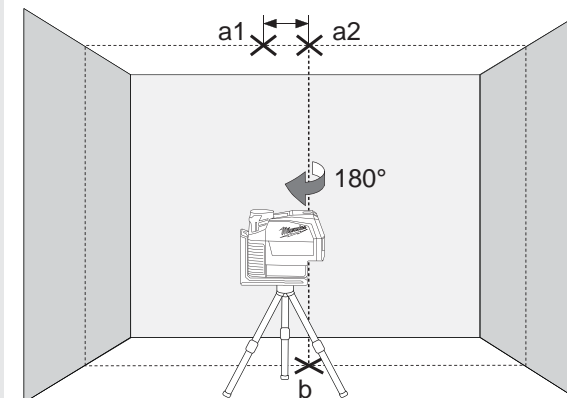
4 PROVĚŘENÍ PŘESNOSTI KOLMICE

Na tuto kontrolu budete potřebovat místnost s výškou stropu asi 5 m.

1. Umístěte křížový laser na stativ.
2. Zapněte režim samonivelace a stisknutím tlačítka přepněte na funkci buzení.
3. Horní bod ohybu na stropu označte jako bod a1 (viz obrázek).
4. Označte spodní olovnici na podlaze jako bod b.



5. Laser otočte o 180° a umístěte jej tak, aby střed bodu kolmice dopadal na už vyznačený bod b a potom počkejte, dokud se přístroj niveluje.
6. Horní bod ohybu na stropě označte jako bod a2 (viz obrázek).
7. Vzdálenost mezi body a1 a a2 na stropě uvádí, jak výrazně se laserová čára odlišuje od ideální svislice. Při měřené dráze s délkou 5 m je maximální přípustná odchylka:
 $5 \text{ m} \times (\pm 0,6 \text{ mm/m}) \times 2 = \pm 6 \text{ mm}$.
8. Vzdálenost mezi bodem a1 a a2 nesmí být větší než 6 mm.



OBSAH

Dôležité bezpečnostné pokyny.....	169
Údržba.....	170
Technické údaje.....	170
Použitie v súlade s účelom.....	170
Prehľad.....	171
Vybavenie.....	172
Vymeňte batériu.....	172
Indikátor kapacity batérie.....	173
Indikátor vybitia batérie.....	173
Montáž na strop.....	173
Držiak na stenu a zelený cieľový štítok.....	174
Práca v režime samonivelácie.....	175
Práca v manuálnom režime.....	176
Funkcia kolmice.....	177
Detektor.....	177
Kontrola presnosti.....	178

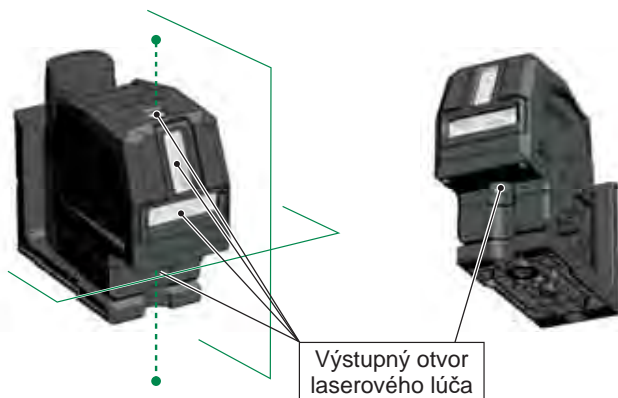
DŮLEŽITÉ BEZPEČNOSTNÉ POKYNY



POZOR! VÝSTRAHA! NEBEZPEČENSTVO!

Výrobok používajte až po preštudovaní bezpečnostných pokynov a návodu na používanie.

Klasifikácia lasera



VÝSTRAHA:

Toto zariadenie je laserový výrobok triedy 2 v súlade s normou EN60825-1:2014 .



Výstraha:

Oči nevystavujte priamo pôsobeniu laserového lúča. Laserový lúč môže spôsobiť závažné poškodenia očí a/alebo oslepnutie.

Nepozerajte sa priamo do laserového lúča a lúčom nikdy zbytočne nemierte priamo na iné osoby.

Opatrne! Pri niektorých použitíach sa môže zariadenie emitujúce laser nachádzať za vami. V takomto prípade sa otáčajte opatrne.

Výstraha:

Neprevádzkujte laser v blízkosti detí ani nedovoľte deťom laser obsluhovať.

Pozor! Reflexný povrch by mohol laserový lúč odraziť späť na obsluhu alebo iné osoby.

Výstraha: Použitie ovládacích prvkov, nastavení alebo zrealizovanie iných postupov, ako bolo stanovené v príručke, môže viesť k nebezpečnému ožiareniu.

Keď sa laser premiestni z veľmi studeného prostredia do teplého prostredia (alebo naopak), musí pred použitím dosiahnuť teplotu okolitého prostredia.

Laser neuskladňujte vonku a chráňte ho pred údermi, trvalými vibráciami a extrémnymi teplotami.

Laserový merací prístroj chráňte pred prachom, mokrym prostredím a vysokou vzdušnou vlhkosťou.

Tieto vplyvy môžu zničiť vnútorné súčiastky alebo ovplyvniť presnosť merania.

Ak laserové žiarenie zasiahne oko, oči zatvorte a hlavu okamžite odvráťte od lúča.

Dbajte na to, aby bol laserový lúč umiestnený tak, aby nemohol oslepiť ani vás, ani iné osoby.

Do laserového lúča sa nepozerajte pomocou optických zväčšovacích zariadení, akými sú ďalekohľady alebo teleskopy. V opačnom prípade sa zvýši nebezpečenstvo závažných poškodení očí.

Nezabudnite, že okuliare na zviditeľnenie laserového lúča slúžia na lepšie rozpoznanie laserových čiar, oči však pred laserovým žiarením nechránia.

Výstražné štítky na laserovom prístroji sa nesmú odstraňovať alebo znehodnocovať.

Laser nerozoberajte. Laserové žiarenie môže spôsobiť vážne zranenia očí.

Pred prepravou lasera zabezpečte, aby bolo výkyvné blokovacie zariadenie zapadnuté.

Upozornenie: Ak výkyvné blokovacie zariadenie nie je zapadnuté, môže počas prepravy dôjsť k poškodeniam vo vnútri prístroja.


Nepoužívajte žiadne agresívne čistiace prostriedky alebo rozpúšťadlá. Čistite len čistou mäkkou handričkou.


Laser chráňte pred prudkými nárazmi a pádmi. Po páde alebo silných mechanických vplyvoch sa pred použitím musí skontrolovať presnosť prístroja.


Potrebné opravy na tomto laserovom prístroji smie realizovať len autorizovaný odborný personál.

Výrobok nepoužívajte v oblastiach s nebezpečenstvom výbuchu alebo v agresívnom prostredí.

Ak prístroj nebudete dlhšie používať, z priehradky na batérie vyberte von batérie. Tým môžete zabrániť vytečeniu batérií a vzniku škôd spôsobených koróziou.

 Vybité batérie sa nesmú likvidovať s domovým odpadom. Dbajte o životné prostredie a odnesť ich na zberné miesta, ktoré sú vybavené v súlade s vnútroštátnymi a miestnymi predpismi.

 Výrobok sa nesmie likvidovať s domovým odpadom. Výrobok likvidujte náležite v súlade s vnútroštátnymi predpismi vo svojej krajine. Dodržiavajte národné a lokálne predpisy. Kvôli získaniu informácií o likvidácii sa obráťte na miestne úrady alebo na vášho predajcu.

 Značka zhody v Európe

UDRZBA

Objektív a kryt lasera čistite čistou mäkkou handričkou. Nepoužívajte žiadne rozpúšťadlá. Aj keď je laser do určitej miery odolný voči prachu a nečistotám, nemal by sa dlhodobejšie uskladňovať na prašnom mieste, lebo v opačnom prípade by sa mohli poškodiť jeho vnútorné pohyblivé časti.

Ak by sa laser zamokril, musí sa pred použitím vysušiť v prenosnom kufríku, aby nemohli vzniknúť žiadne škody spôsobené hrdzou.

TECHNICKÉ ÚDAJE

Trieda lasera	2
Oblasť samonivelácie	± 4°
Doba samonivelácie	3 s
Typ batérie	Li-Ion
Napätie DC	12V ---
Druh ochrany (striekajúca voda a prach)	IP54*
Max. výšková poloha	2000 m
Relatívna vlhkosť vzduchu max.	80%
Stupeň znečistenia v súlade s IEC 61010-1	2**
Doba pulzu t_p	≤ 80 μs
Funkcie	horizontálna čiara, vertikálna čiara,, čiary kríža, funkcia kolmice (2 body)
Frekvencia	10 kHz
Premietanie	2 zelené čiary, 2 body zelené
Množstvo diódy	2
Typ diódy	30 mW
Schéma výstupu laserových čiar	Jeden vodorovný, jeden zvislý + 2 olovnice nadol a dole, priečna čiara + 2 olovnice (hore a dole).
Prevádzkový čas	15 hodín s výmenným akumulátorom M12 3.0 Ah
Závit stojana	1/4" / 5/8"
Vhodný detektor	Milwaukee LLD50

Laserová čiara	Šírka < 9,53mm @ 30m Vlnová dĺžka 510 - 530 nm trieda lasera II Maximálny výkon ≤ 7 mW Presnosť +/- 3 mm / 10 m Uhol otvorenia vertikálna čiara > 120°; horizontálna čiara > 114° Farba zelená Dosah 38 m (s detektorom 50 m)
Bod kolmice	Vlnová dĺžka laserového bodu 510 - 530 nm trieda lasera II Max. výkon laserového bodu < 1 mW Presnosť kolmice +/- 3 mm / 10 m Farba laserového bodu zelená Dosah 30 m
Odporúčaná prevádzková teplota	-10 °C až +40 °C
Teplota pre skladovanie	-20 °C až +50 °C
Odporúčané typy akupaku	M12 B..
Rozmery	170 mm x 82 mm x 148 mm
Hmotnosť (vrát. batérií)	1205 g

* Lítiovo-iónová batéria a priečinok na batérie sú z IP54 vyňaté.

** Vyskytujú sa iba nevodivé nečistoty, pričom však občas možno z dôvodu orosenia očakávať dočasnú vodivosť.

POUŽITIE V SÚLADE S ÚČELOM

Výrobok je určený predovšetkým na použitie v interiéroch. Pri použití vonku musíte dávať pozor na to, aby rámcové podmienky zodpovedali tým, ktoré boli stanovené pre interiér.

Tento inovatívny laser je dimenzovaný pre širokú profesionálnu oblasť použitia, ako napr.:

- Vyrovnávanie obkladov, mramorových dosiek, skriniek, lemov, výliskov a obrúb
- Vyznačenie základných línií zabudovania dverí, okien, líšt, schodov, plotov, brán, veránd a pergol.
- Na stanovenie a preverenie horizontálnych a vertikálnych čiar.
- Nivelovanie zavesených stropov a potrubí, rozvrhnutia okien a vyrovnania rúr, nivelovanie obvodových stien pre elektroinštalácie

Tento produkt sa smie používať len v súlade s uvedeným účelom použitia.

Olovnice

Okno zvislej laserovej čiary

Okno na horizontálnu laserovú čiaru

Tlačidlo režimu

Krátke stlačenie: Vyberte si medzi laserovými čiarami:

- horizontálne
- vertikálne + funkcia vodovodného potrubia
- krížové línie + funkcia vodovodného potrubia

Dlhé stlačenie: prepnutie normálneho režimu / režimu úspory energie

LED displej kapacita batérie

20 ° mikro nastavenie (+/- 10 ° od stredu)

Olovnice

Držiak na statív 5/8 "

Držiak na statív 1/4 "

Laserová čiara na displeji LED

- horizontálna
- vertikálna
- + krížová čiara

M12 Balenie batérií

Značenie pre horizontálny laserový lúč

Otočný gombík

- OFF Vypnuté / uzamknuté
- ON Zapnutý / manuálny režim
- ON režim zapnutia / samovyrovnanie

Magnetický držiak

Montáž na strop



VYBAVENIE

Príslušenstvo - nie je súčasťou štandardného vybavenia, je k dispozícii ako príslušenstvo.

Terminál LM360



Detektor LLD50

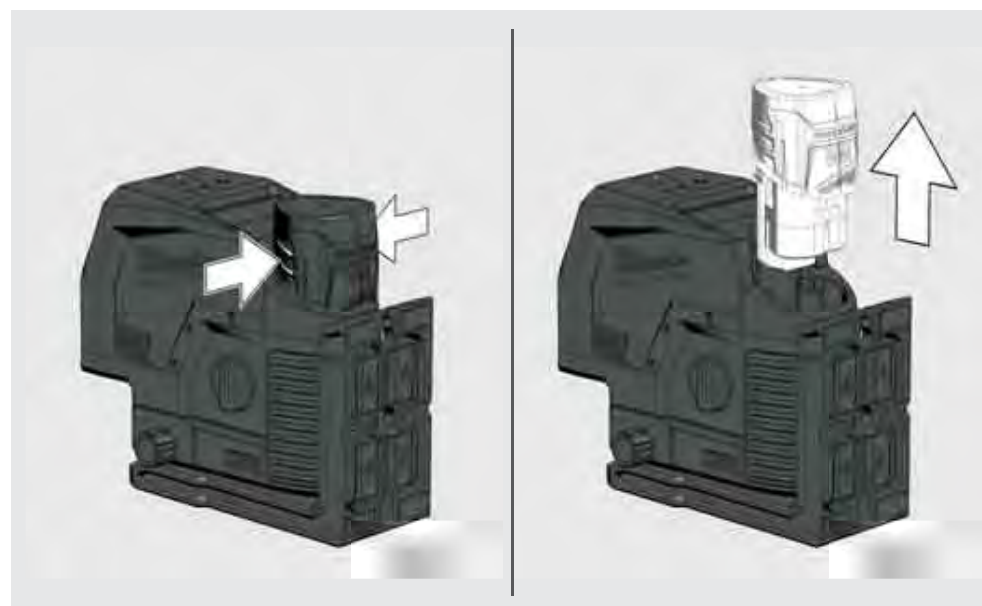
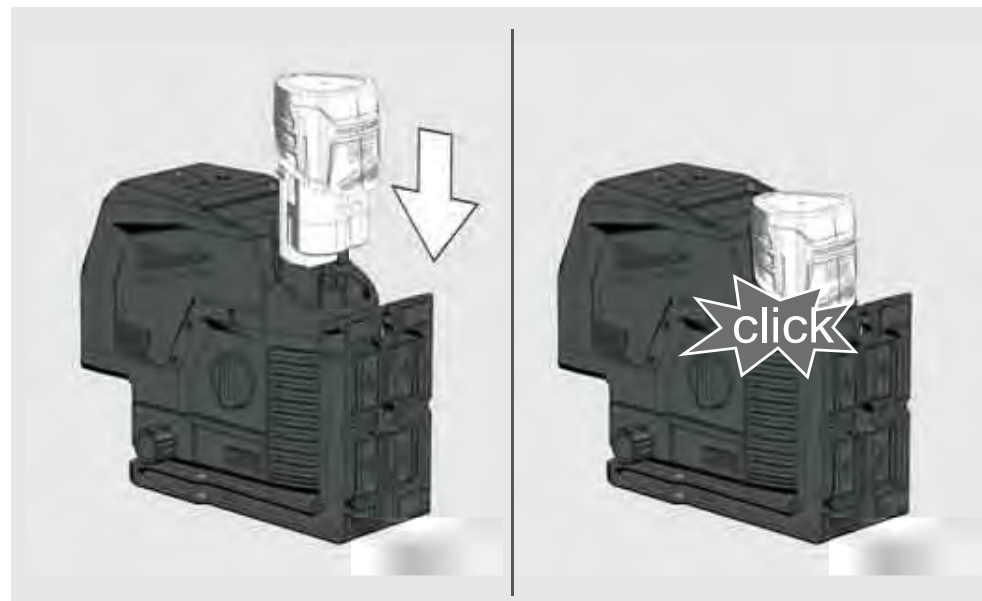


Statív TRP180



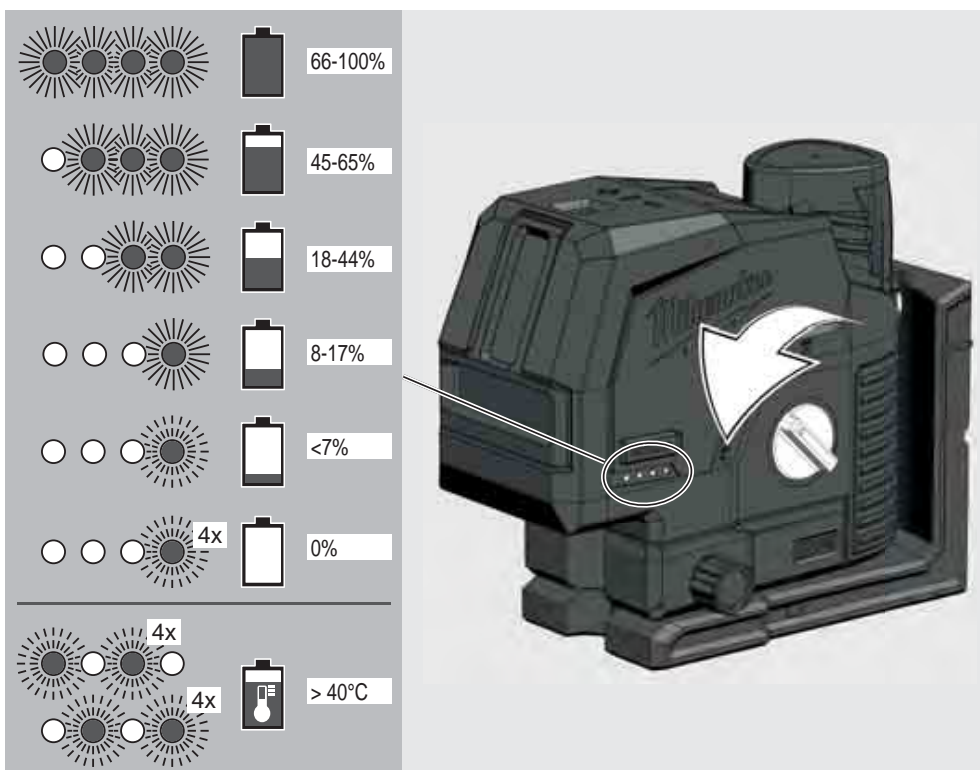
VYMĚŇTE BATÉRIU

Používejte iba nabíjateľnú batériu Milwaukee M12.



INDIKÁTOR KAPACITY BATÉRIE

Po zapnutí alebo vypnutí lasera sa na ukazovateli stavu paliva zobrazí životnosť batérie.



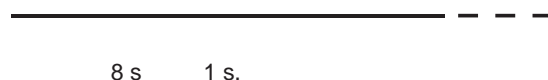
INDIKÁTOR VYBITIA BATÉRIE

Ak je napätie nízke, laser sa prepne do režimu úspory energie.

Laser bliká v samonivelačnom režime



Laser bliká v manuálnom režime



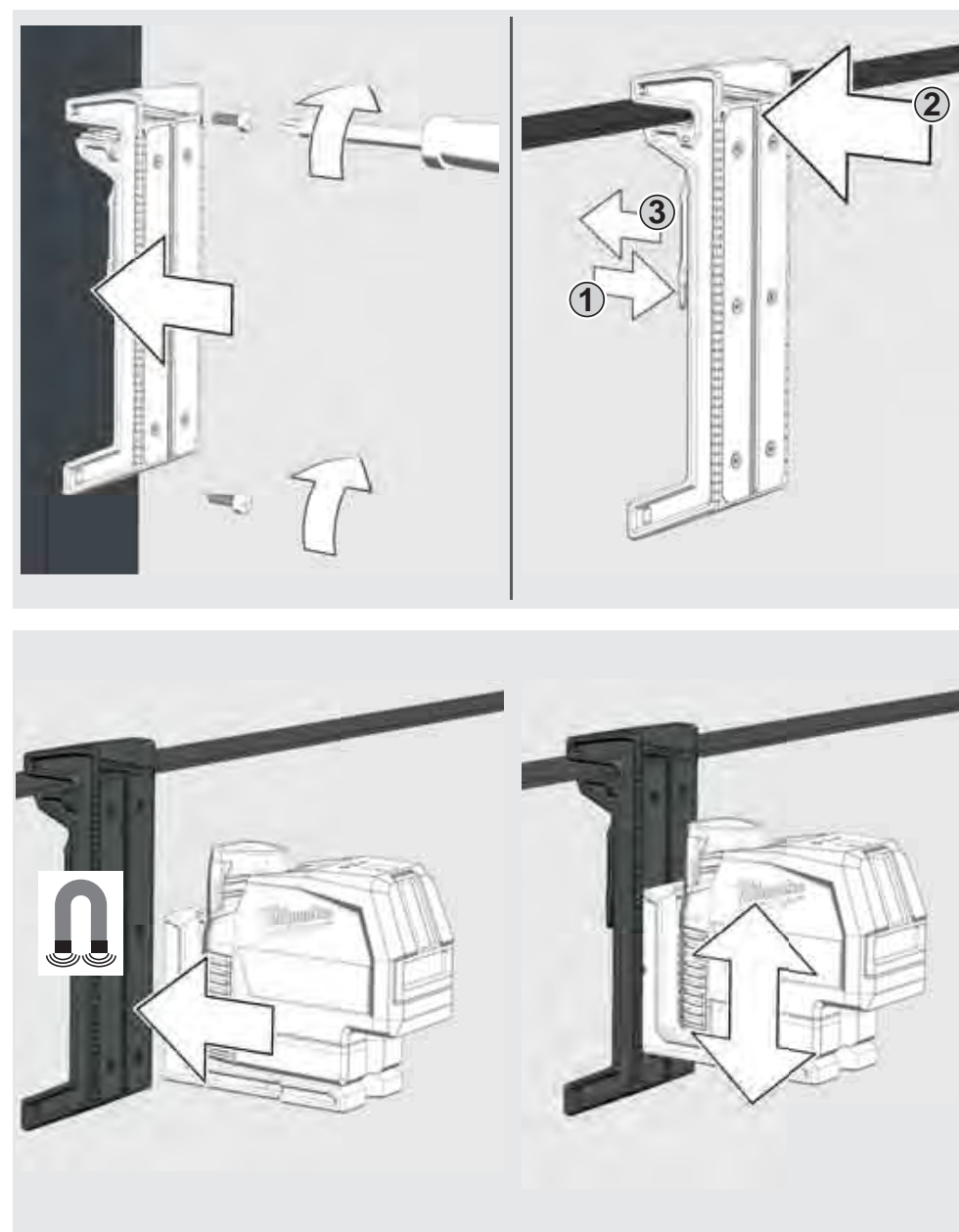
Od tejto chvíle je stále možné pokračovať v práci.

Keď je napätie nízke, laser a dióda LED 4-krát zablikajú a automaticky sa vypne.

MONTÁŽ NA STROP

Pripevnite sponu pomocou skrutiek k stípu.

Pomocou držiaka na strop pripevnite laser na stropné kanály, stojany ...

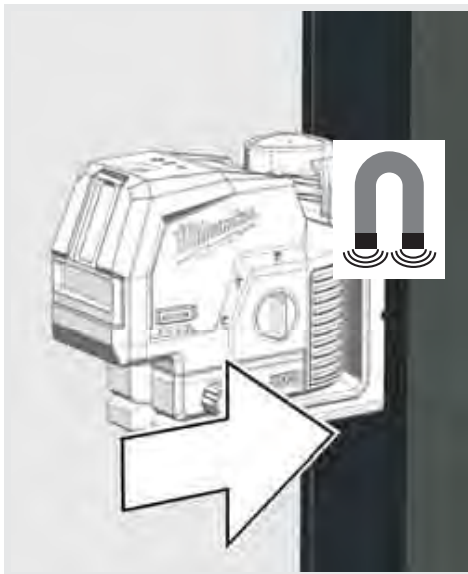


DRŽIAK NA STENU A ZELENÝ CIEĽOVÝ ŠTÍTK

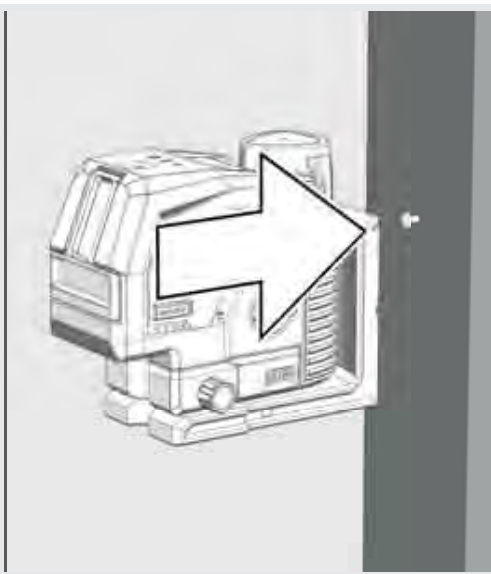
Pomocou magnetického držiaka sa dá laser pripevniť na steny, kovové štruktúry a pod.

Alebo pripevnite skrutkou alebo klincom na stĺpik.

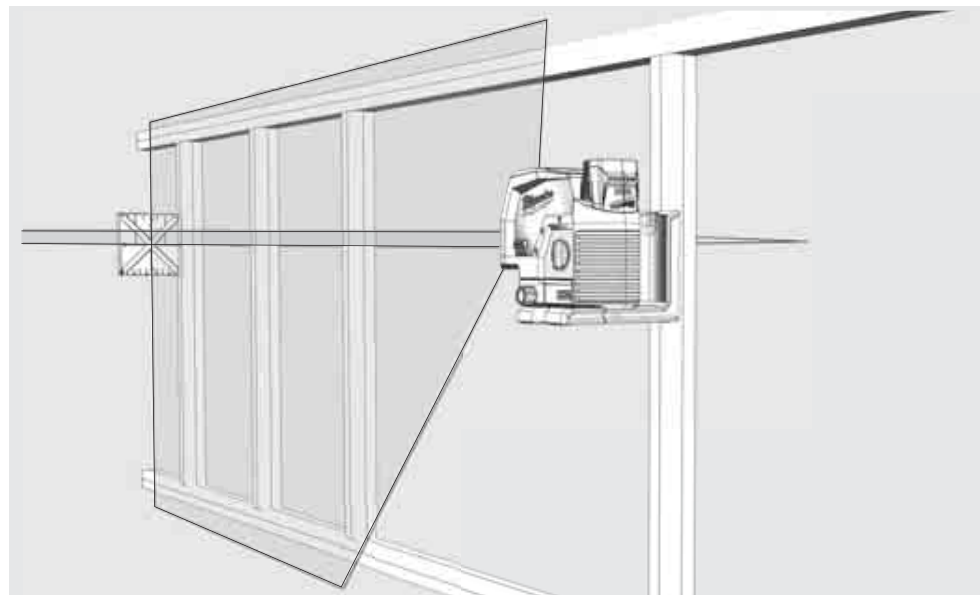
Použite zelenú cieľovú platňu na zlepšenie viditeľnosti laserového lúča za nepriaznivých podmienok a na väčšie vzdialenosti.



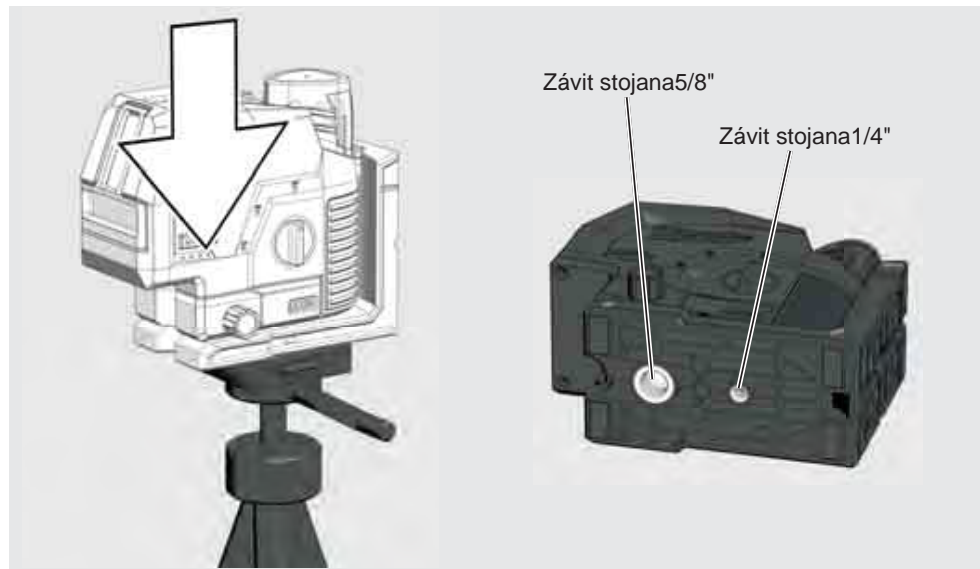
Otočte laserom o 360 °.



Použite nastavovací gombík pre 20 ° otočné nastavenie mikro



Na pripevnenie lasera na statív použite držiak statívu.

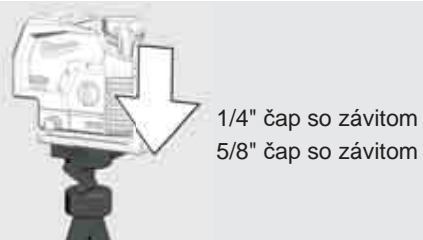


PRÁCE V REŽIME SAMONIVELÁCIE

V režime samonivelácie sa laser vyrovná samostatne v rozsahu $\pm 4^\circ$. Kvôli tomu sa premietne jedna horizontálna čiara, jedna vertikálna čiara alebo obe čiary súčasne.

1

Laser postavte na pevný, rovný podklad bez vibrácií alebo ho namontujte na stojan.



2

Otočte otočný prepínač do polohy: .



3

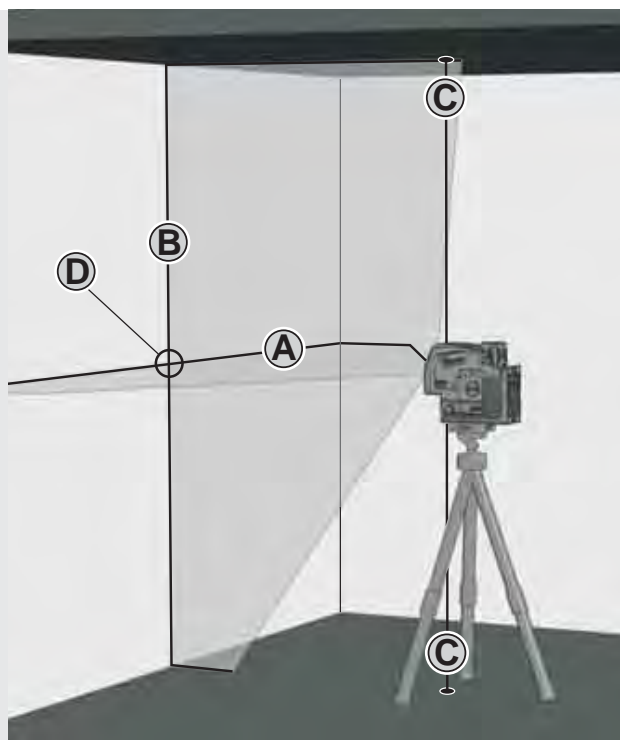
Laser vytvára 2 laserové čiary.

(A) Horizontálna čiara smerom dopredu

(B) Vertikálna čiara smerom dopredu

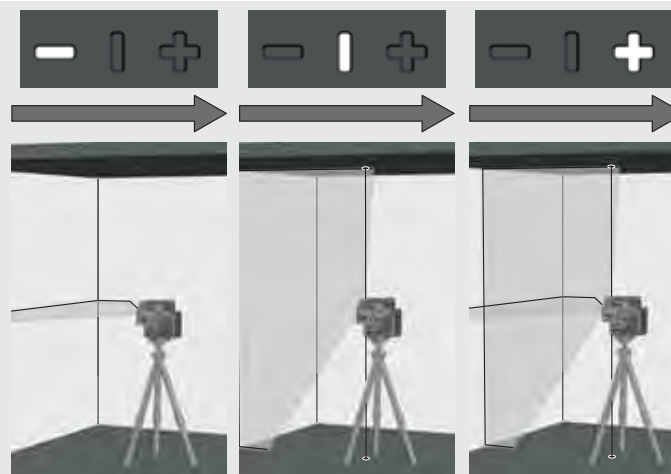
(C) Laserový bod

(D) Keď sú aktivované všetky čiary, laser vytvára čiary kríža smerom dopredu.



4

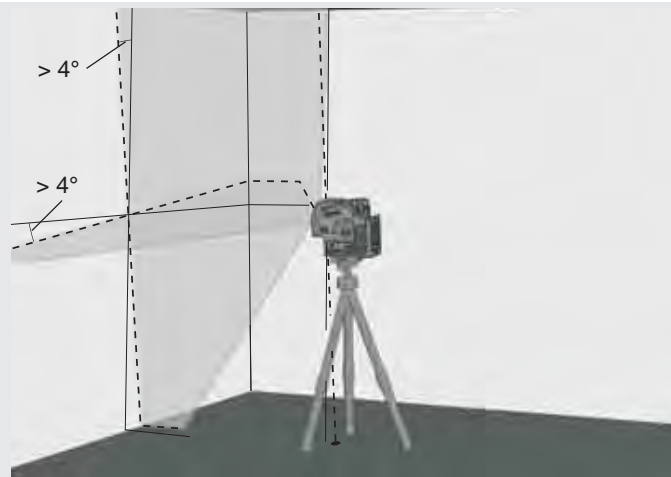
Želané čiary si navolíte pomocou tlačidla.



5

Keď sa laser pri aktivovanom režime samonivelácie na začiatku nevyrovná na $\pm 4^\circ$, laserové čiary blikajú. - - - - .

V takomto prípade musíte laser nanovo umiestniť.



6

Pred premikanjem laserja obrňte vrtľivo stikalo na **OFF**. Vďaka tomu sa zaaretuje kyvadlo a laser je chránený.



PRÁCA V MANUÁLNOM REŽIME

V manuálnom režime je funkcia samonivelácie deaktivovaná a laser sa dá nastaviť na ľubovoľný sklon laserových čiar.

1

Laser postavte na pevný, rovný podklad bez vibrácií alebo ho namontujte na stojan.



2

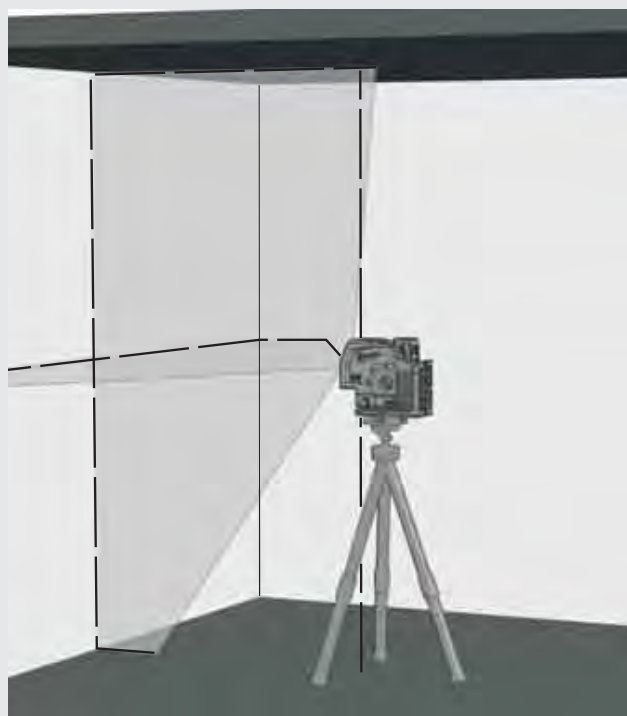
Otočte otočný prepínač do polohy: **ON**.



3

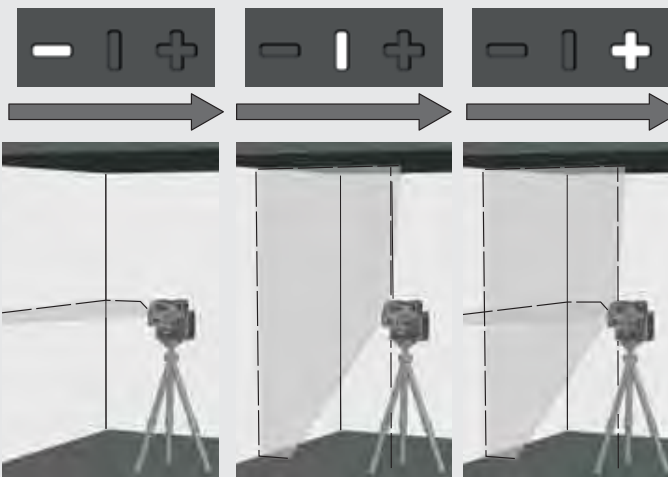
Tak, ako v režime samonivelácie, vytvára laser 2 laserové čiary, ktoré sú však každé 8 sekundy prerušené.

8 sek. 8 sek. 8 sek.



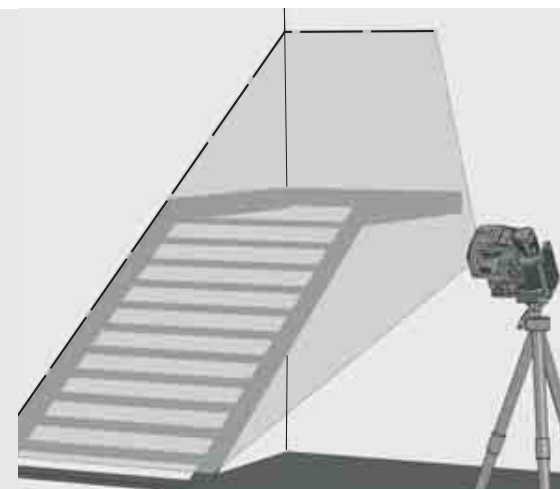
4

Želané čiary si navolíte pomocou tlačidla.



5

Laser pomocou stojana nastavte na želanú výšku a požadovaný sklon.



6

Ak chcete ukončiť manuálny režim,

Otočte otočný prepínač do polohy: **ON**.

alebo

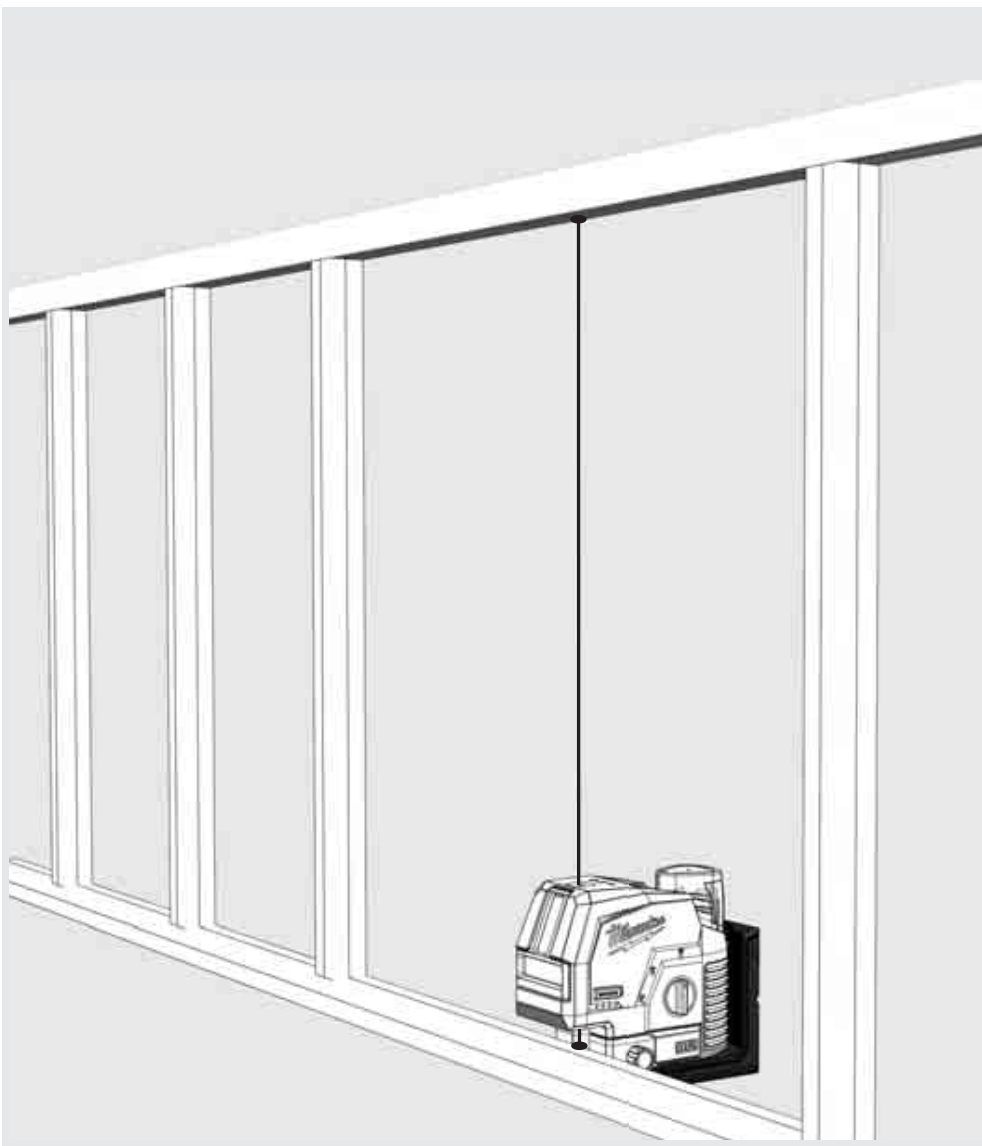
otočte otočný prepínač do polohy: **OFF**.



FUNKCIA KOLMICE

Pomocou funkcie kolmice sa dá bod na podlahe kolmo premietnuť na strop.

Funkcia kolmice slúži napr. na prenesenie referenčného bodu pri inštalácii osvetlenia a ventilácie alebo na prenesenie výšok.

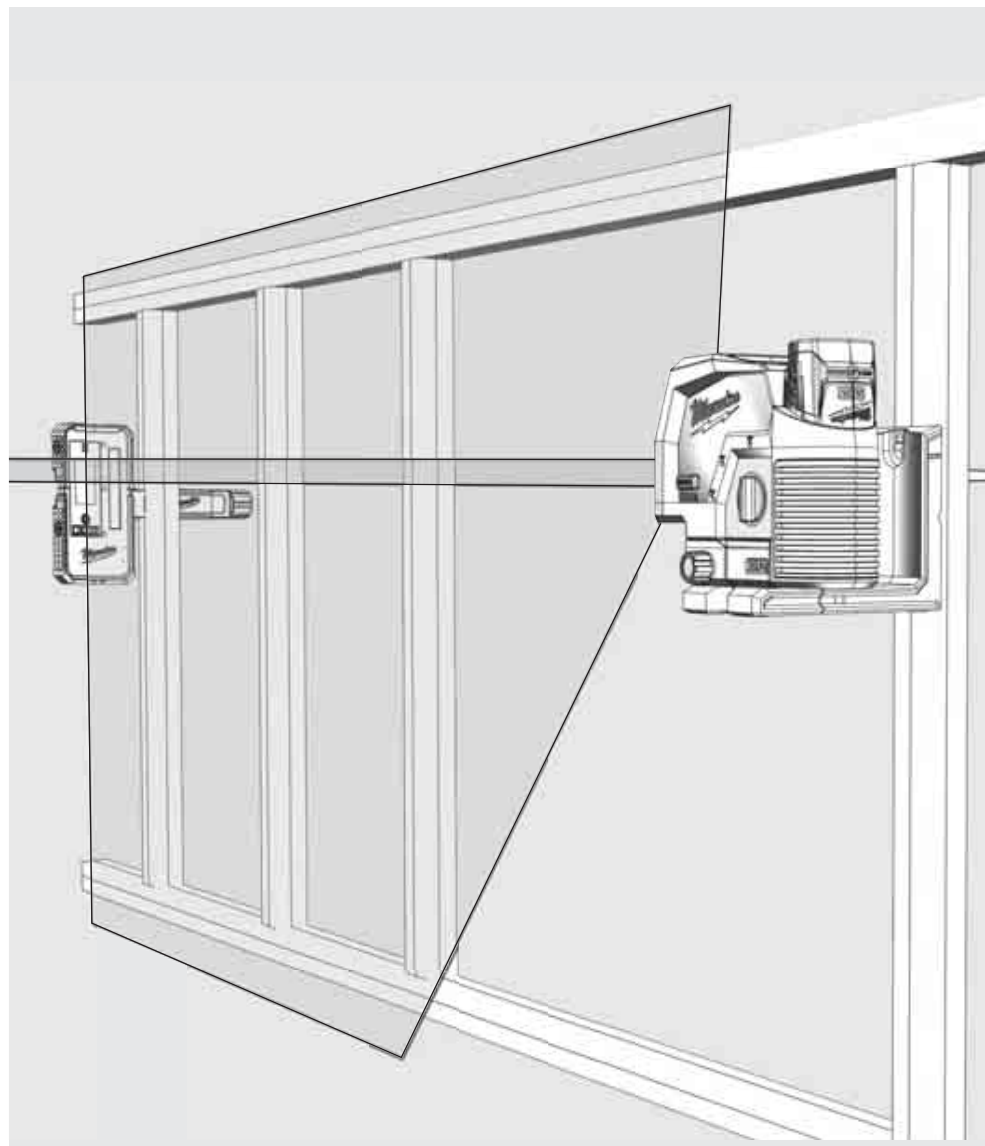


DETEKTOR

Na prácu v exteriéri na priamom slnečnom svetle alebo v jasných podmienkach a na väčšie dosahy do 50 metrov použite detektor Milwaukee.

Detektor nie je súčasťou dodávky a musí sa zakúpiť osobitne.

Podrobné informácie o použití detektora nájdete v návode na použitie detektora.



Laser je kalibrovaný výrobcom. Milwaukee odporúča presnosť lasera pravidelne preverovať, predovšetkým však po páde alebo v dôsledku chybného obsluhu.

Pri prekročení maximálnej odchýlky pri kontrole presnosti sa obráťte na naše servisné stredisko spol. Milwaukee (pozri zoznam so záručnými podmienkami a adresami servisných stredísk).

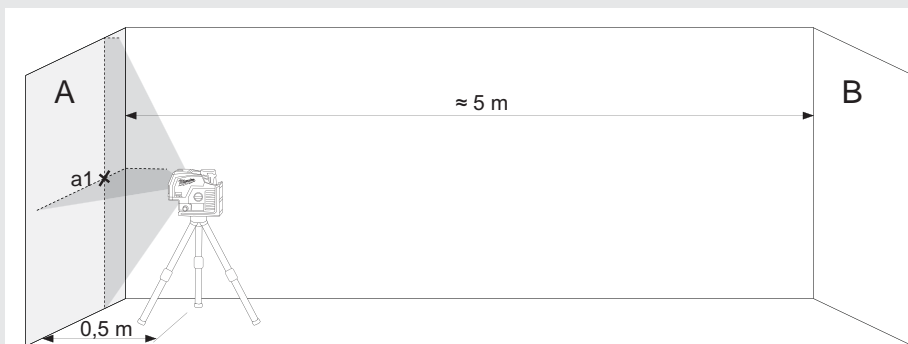
1. Preverte presnosť výšky horizontálnej čiary.
2. Preverte presnosť nivelácie horizontálnej čiary.
3. Preverte presnosť nivelácie vertikálnej čiary.
4. Preverte presnosť kolmice.

Pred prevereníím presnosti lasera namontovaného na stojane skontrolujte niveláciu stojana.

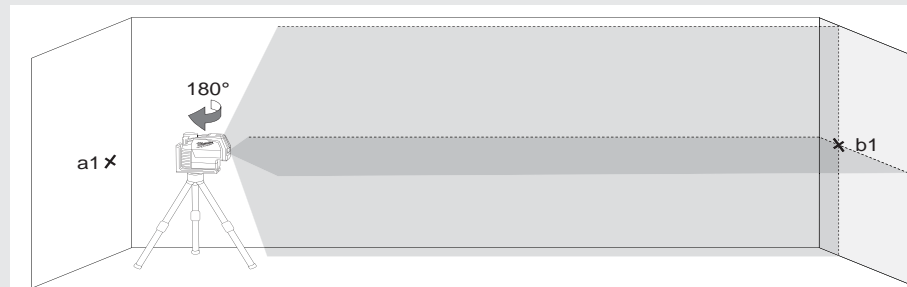


1 PREVERENIE PRESNOSTI VÝŠKY HORIZONTÁLNEJ ČIARY (ODCHÝLKA SMEROM NAHOR A NADOL)

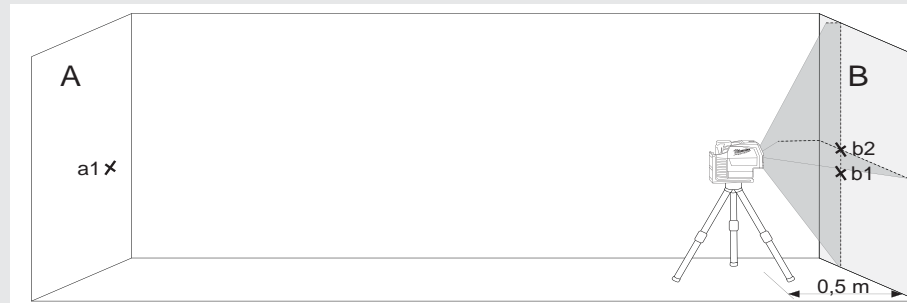
1. Laser nainštalujte na stojan alebo na rovný podklad medzi dvomi stenami A a B, ktoré sú od seba vzdialené asi 5 m.
2. Laser umiestnite pribl. 0,5 m od steny A.
3. Zapnite režim samonivelácie a stlačte tlačidlo, aby sa horizontálna a vertikálna čiara premietli na stenu A.
4. Priesečník dvoch čiar si na stene A označte ako bod a1.



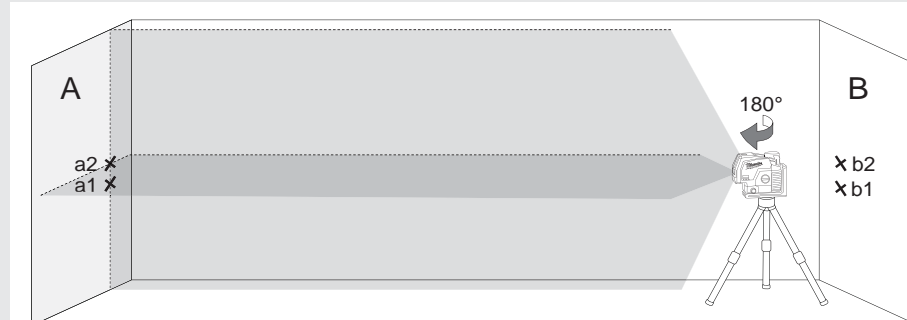
5. Laser otočte o 180° smerom k stene B a priesečník dvoch čiar označte na stene B ako bod b1.



6. Laser umiestnite pribl. 0,5 m od steny B.
7. Priesečník dvoch čiar označte na stene B ako bod b2.



8. Laser otočte o 180° smerom k stene A a priesečník dvoch čiar označte na stene A ako bod a2.



9. Zmerajte vzdialenosti:

$$\Delta a = |a2 - a1|$$

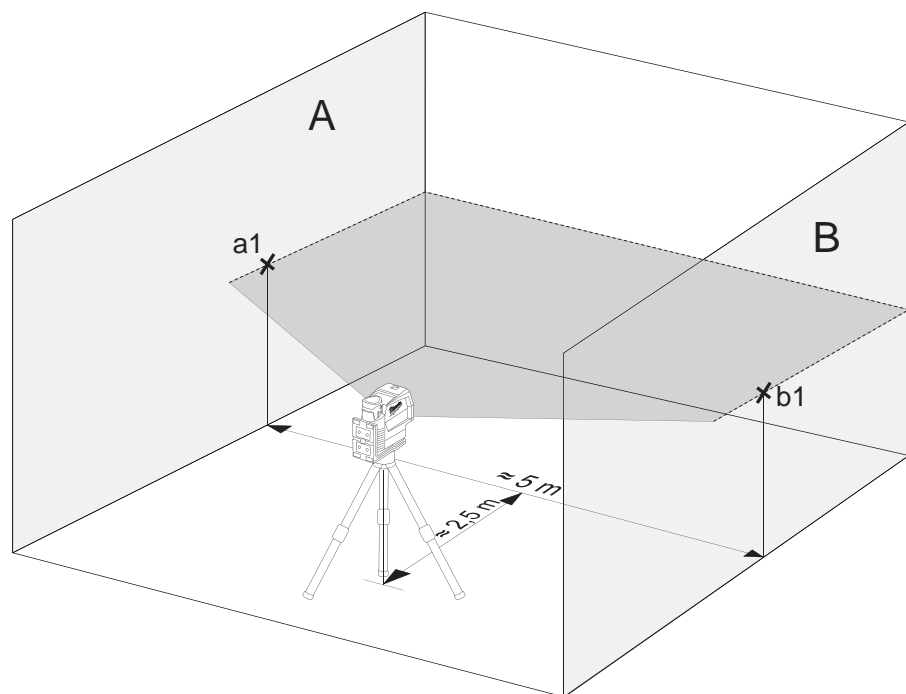
$$\Delta b = |b1 - b2|$$

10. Rozdiel $|\Delta a - \Delta b|$ nesmie byť väčší ako 2 mm.

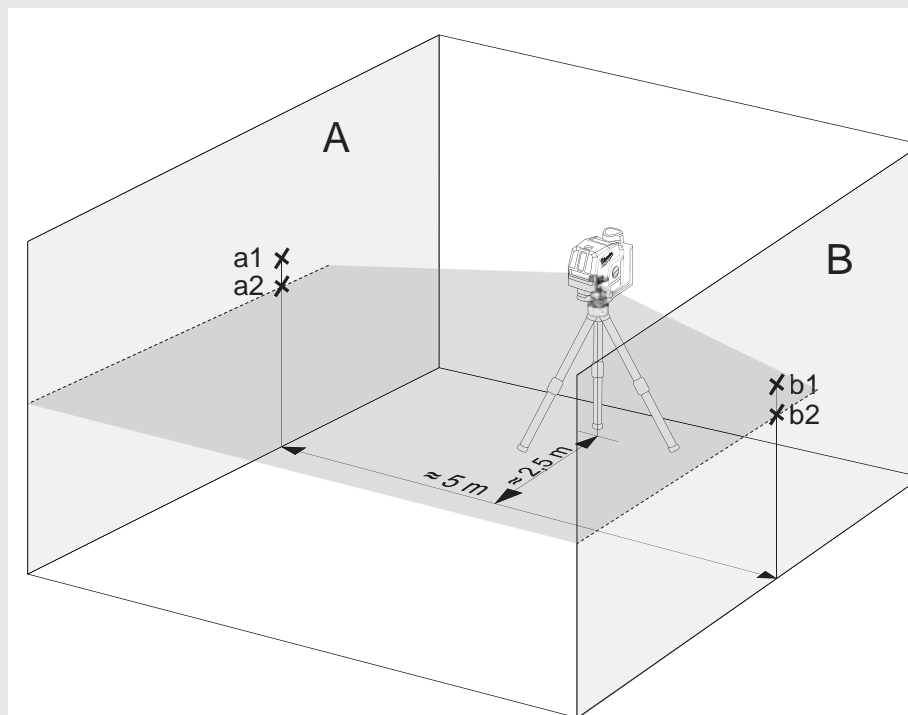
2 PREVERENIE PRESNOSTI NIVELÁCIE HORIZONTÁLNEJ ČIARY (ODCHÝLKA OD JEDNEJ STRANY K DRUHEJ)

Na túto kontrolu budete potrebovať voľnú plochu s veľkosťou asi 5 × 5 m.

1. Laser nainštalujte na stojan alebo na pevný podklad medzi dvoma stenami A a B, ktoré sú od seba vzdialené asi 5 m.
2. Laser umiestnite pribl. 2,5 m od stredu miestnosti.
3. Zapnite režim samonivelácie a stlačte tlačidlo, aby sa horizontálna čiara premietla na steny A a B.
4. Stred laserovej čiary na stene A si označte pomocou bodu a1 a na stene B pomocou bodu b1.



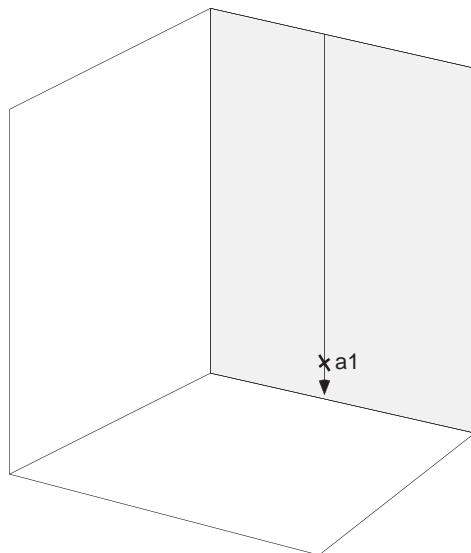
5. Laser premiestnite pribl. o 5 m a otočte o 180° a horizontálnu čiara opäť premietnite na steny A a B.
6. Stred laserovej čiary na stene A si označte pomocou bodu a2 a na stene B pomocou bodu b2.



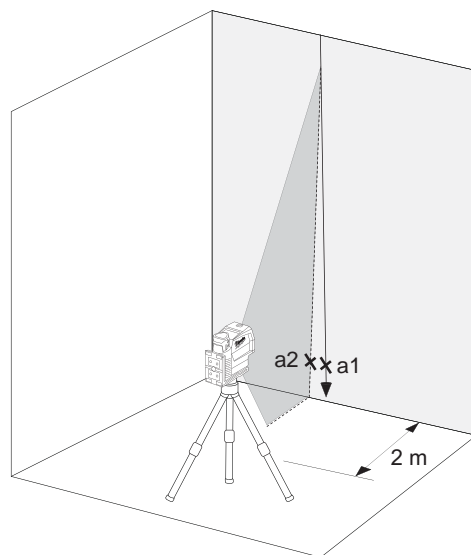
7. Zmerajte vzdialenosti:
 $\Delta a = |a2 - a1|$
 $\Delta b = |b1 - b2|$
8. Rozdiel $|\Delta a - \Delta b|$ nesmie byť väčší ako 2 mm.

3 PREVERENIE PRESNOSTI NIVELÁCIE VERTIKÁLNEJ ČIARY

1. Na jednu stenu zaveste asi 4 m dlhú šnúru olovnice.
2. Keď sa olovnica prestane kývať, na stene si označte bod a1 nad kuželom olovnice.



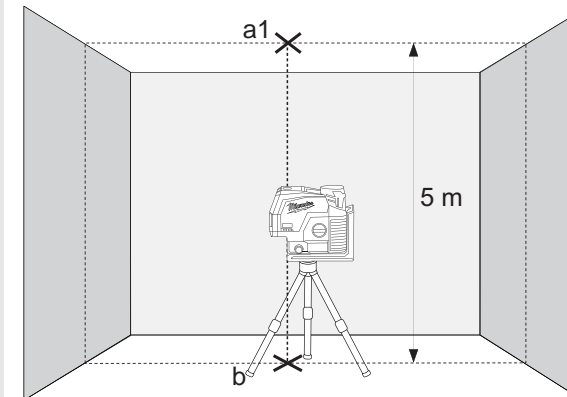
3. Laser nainštalujte na stojan alebo na rovný podklad vo vzdialenosti pribl. 2 m od steny.
4. Zapnite režim samonivelácie a stlačte tlačidlo, aby sa vertikálna čiara premietla na šnúru olovnice.
5. Laser otočte tak, aby bola vertikálna čiara v súlade so zavesenou šnúrou olovnice.
6. Bod a2 v strede vertikálnej čiar si označte v tej istej výške ako bod a1 na stene.
7. Rozdiel medzi bodom a1 a bodom a2 nesmie byť väčší ako 1 mm.



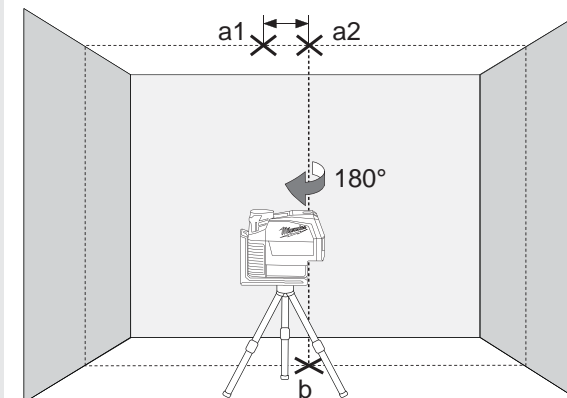
4 PREVERENIE PRESNOSTI KOLMICE

Na túto kontrolu budete potrebovať miestnosť s výškou stropu asi 5 m.

1. Umiestnite krížový laser na statív.
2. Zapnite režim samonivelácie a stlačením tlačidla prepnete na funkciu kyprenia.
3. Hornú oľovnicu označte na stropе ako bod a1 (pozri obrázok).
4. Označte dolnú oľovnicu na podlahe ako bod b.



5. Laser otočte o 180° a umiestnite ho tak, aby stred bodu kolmice dopadal na už vyznačený bod b a potom počkajte, kým sa prístroj niveluje.
6. Hornú oľovnicu označte na stropе ako bod a1 (pozri obrázok).
7. Vzdialenosť medzi bodmi a1 a a2 na stropе uvádza, ako výrazne sa laserová čiara odlišuje od ideálnej zvislice. Pri meranej dráhe s dĺžkou 5 m je maximálna prípustná odchýlka:
 $5 \text{ m} \times (\pm 0,6 \text{ mm/m}) \times 2 = \pm 6 \text{ mm}$.
8. Vzdialenosť medzi bodom a1 a a2 nesmie byť väčšia ako 6 mm.



SPIS TREŚCI

Ważne wskazówki bezpieczeństwa.....	181
Utrzymanie i Konserwacja.....	182
Dane techniczne.....	182
Użytkowanie zgodne z przeznaczeniem.....	182
Przegląd.....	183
Ekwipunek.....	184
Zmień baterię.....	184
Wskaźnik pojemności baterii.....	185
Wskaźnik niskiego poziomu baterii.....	185
Montaż sufitowy.....	185
Uchwyt ścienny i zielona tarcza celownicza.....	186
Praca w trybie samoczynnego poziomowania.....	187
Praca w trybie ręcznym.....	188
Funkcja pionu.....	189
Detektor.....	189
Kontrola dokładności.....	190

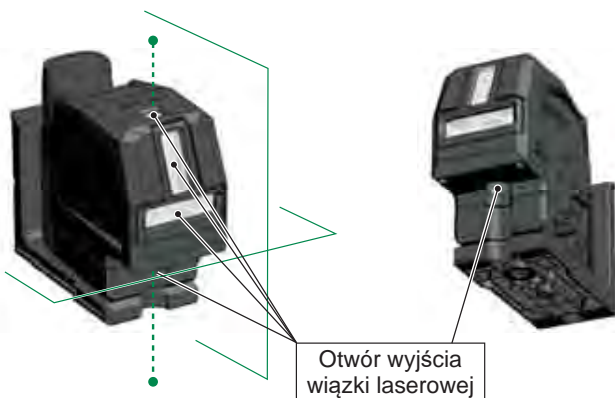
WAŻNE WSKAZÓWKI BEZPIECZEŃSTWA



UWAGA! OSTRZEŻENIE NIEBEZPIECZEŃSTWO!

Urządzenia nie wolno używać przed zapoznaniem się z treścią procedur bezpieczeństwa oraz instrukcji obsługi znajdujących się.

Klasyfikacja lasera



OSTRZEŻENIE:

Urządzenie emituje laser klasy 2 w zgodności z normą EN60825-1:2014 .



Ostrzeżenie:

Nie należy narażać oczu bezpośrednio na działanie wiązki laserowej. Wiązka laserowa może spowodować poważne uszkodzenia oczu i/lub ślepotę.

Nie patrzeć bezpośrednio w wiązkę lasera i nie kierować jej niepotrzebnie na inne osoby.

Ostrożnie! W przypadku niektórych zastosowań urządzenie emitujące laser może znajdować się za użytkownikiem. Należy wówczas obracać się ostrożnie.

Ostrzeżenie:

Nie używać lasera przy dzieciach ani nie pozwalać dzieciom obsługiwać laser.

Uwaga! Powierzchnia odbijająca promienie mogłaby spowodować odbicie promienia lasera z powrotem ku osobie obsługującej urządzenie lub ku innym osobom.

Ostrzeżenie: Zastosowanie elementów sterujących, nastaw lub przeprowadzenie innych procedur niż zostały ustalone w podręczniku może prowadzić do niebezpiecznej dawki napromieniowania.

Jeśli laser zostanie przeniesiony z bardzo zimnego do ciepłego otoczenia (lub odwrotnie), wówczas przed użyciem musi osiągnąć temperaturę otoczenia.

Nie należy przechowywać lasera na zewnątrz; chronić laser przed wstrząsami, długotrwałymi wibracjami i skrajnymi temperaturami.

Miernik laserowy należy chronić przed zapyleniem, wilgocią i wysoką wilgotnością powietrza. Może to powodować uszkodzenie wewnętrznych elementów lub mieć niekorzystny wpływ na dokładność.

Jeśli promieniowanie laserowe trafi w oko, należy natychmiast zamknąć oczy i odwrócić głowę od wiązki.

Należy ustawić wiązkę laserową w taki sposób, aby nie oślepiała ona ani użytkownika, ani innych osób.

Nie należy patrzeć w wiązkę lasera za pomocą powiększalników optycznych, takich jak lornetki czy teleskopy; prowadzi to do zwiększenia ryzyka wystąpienia poważnych uszkodzeń oczu.

Należy pamiętać, że mimo iż gogle laserowe zostały zaprojektowane tak, aby ułatwiać widzenie linii laserowych, nie chronią one oczu przed promieniowaniem laserowym.

Nie należy usuwać ani zamazywać znaków ostrzegawczych umieszczonych na urządzeniu laserowym.

Nie należy demontować lasera. Promieniowanie laserowe może powodować poważne obrażenia oczu.

Przed transportem lasera należy upewnić się, że blokada wahadła jest włączona.

Wskazówka: Jeśli blokada wahadła nie jest włączona, wówczas może dojść do uszkodzeń wewnątrz urządzenia podczas transportu.

Nie należy używać żadnych agresywnych środków czyszczących lub rozpuszczalników. Czyścić tylko czystą, miękką ściereczką.

Chronić laser przed gwałtownymi wstrząsami i upadkami. Po upadku lub silnym oddziaływaniu mechanicznym, przed użyciem należy sprawdzić dokładność urządzenia.

Niezbędne naprawy urządzenia laserowego mogą być wykonywane wyłącznie przez autoryzowany personel specjalistyczny.

Urządzenia nie wolno używać w środowisku zagrożonym wybuchem lub w miejscu działania substancji żrących.

Jeżeli laser nie będzie używany przez dłuższy czas, wówczas należy wyjąć baterie z komory baterii. Pomoże to zapobiec wyciekom z baterii i związanym z tym uszkodzeniom spowodowanym korozją.



Nie wyrzucać wyczerpanych baterii wraz z odpadami domowymi. Dla zapewnienia ochrony środowiska należy zanieść je do punktu zbiórki elektroodpadów zgodnie z przepisami krajowymi lub lokalnymi. Nie wyrzucać lasera wraz z odpadami domowymi. Produkt należy utylizować zgodnie z przepisami obowiązującymi w kraju użytkowania. Przestrzegać obowiązujących przepisów krajowych. Aby uzyskać informacje dot. usuwania zużytych baterii do odpadów należy skontaktować się z lokalnymi władzami albo ze sprzedawcą.

CE Europejski Certyfikat Zgodności

UTRZYMANIE I KONSERWACJA

Obiektów i obudowę lasera należy czyścić miękką, czystą ściereczką. Nie należy używać rozpuszczalników.

Mimo że laser jest do pewnego stopnia odporny na kurz i zabrudzenia, nie powinien być długo przechowywany w zapyłonym miejscu, ponieważ w przeciwnym razie może dojść do uszkodzenia wewnętrznych ruchomych części.

W przypadku zamknięcia lasera przed umieszczeniem w walizce należy go wysuszyć, aby zapobiec uszkodzeniom spowodowanym rdzą.

DANE TECHNICZNE

Klasa lasera	2
Zakres samoczynnego poziomowania	$\pm 4^\circ$
Czas samoczynnego poziomowania	3 s
Typ baterii	Li-Ion
Napięcie DC	12V ===
Klasa ochrony (woda rozpryskowa i pył)	IP54*
Maks. ukształtowanie terenu	2000 m
Maks. wilgotność względna powietrza	80%
Stopień zanieczyszczenia według IEC 61010-1	2**
Czas trwania impulsu t_p	$\leq 80 \mu s$
Funkcje	linia pozioma, linia pionowe, linie krzyżowe, funkcja pionu (2 punkty)
Częstotliwość	10 kHz
Projekcje	2 zielone linie, 2 punkty zielone
Ilość diod	2
Rodzaj diody	30 mW
Wzorzec wyjściowy linii lasera	Pojedyncze poziome, pojedyncze pionowe + 2 pionowe kropki w górę i w dół, linia krzyżowa + 2 pionowe kropki (w górę i w dół).
Czas pracy	15 godzin z baterią akumulatorową M12 3.0 Ah
gwint statywu	1/4" / 5/8"
Odpowiedni detektor	Milwaukee LLD50

Linia laserowa	Szerokość < 9,53mm @ 30m Długość fali 510 - 530 nm Laser klasy II Moc maksymalna ≤ 7 mW Dokładność +/- 3 mm / 10 m Kąt otwarcia linia pionowe > 120°; linia pozioma > 114° Kolor zielony Zasięg 38 m (z czujką 50 m)
Punkt pionu	Długość fali punktu laserowego 510 - 530 nm Laser klasy II Maks. moc punktu laserowego < 1 mW Dokładność pionu +/- 3 mm / 10 m Barwa punktu lasera zielony Zasięg 30 m
Zalecana temperatura pracy	od -10°C do +40°C
Temperatura przechowywania	od -20°C do +50°C
Zalecane rodzaje akumulatora	M12 B...
Wymiary	170 mm x 82 mm x 148 mm
Waga (łącznie z bateriami)	1205 g

* Bateria litowo-jonowa i komora baterii nie są objęte stopniem ochrony IP54.

** Występują tylko nieprzewodzące zanieczyszczenia, chociaż czasami spodziewane jest czasowe przewodnictwo spowodowane kondensacją.

UŻYTKOWANIE ZGODNE Z PRZEZNACZENIEM

Produkt przeznaczony jest do stosowania wewnątrz pomieszczeń. W przypadku stosowania na zewnątrz należy zatroszczyć się o to, aby ogólne warunki były podobne do tych panujących wewnątrz pomieszczeń.

Ten innowacyjny laser jest przeznaczony do szerokiego zakresu profesjonalnych zastosowań, takich jak np.:

- Wyrównanie płytek, płyt marmurowych, szafek, obramowań, listew i lamówek
- Wytyczanie linii podstawowych dla potrzeb montażu drzwi, okien, szyn, schodów, ogrodzeń, bram, werand i pergoli.
- Do wytyczania i weryfikacji linii poziomych i pionowych.
- Poziomowanie sufitów podwieszanych i przewodów rurowych, dzielenie okien i wyrównywanie przebiegu rur, poziomowanie ścian obudowy instalacji elektrycznych

Produkt ten należy stosować wyłącznie zgodnie z przeznaczeniem.

Ołownice

Pionowe okno linii lasera

Okno pozioma linia laserowa

Przycisk trybu

Krótkie naciśnięcie: wybierz pomiędzy liniami lasera:

- poziomo
- pion + funkcja pionu
- linie krzyżowe + funkcja pionu

Długie naciśnięcie: przełącz tryb normalny / tryb oszczędzania energii

Wyświetlacz LED pojemność baterii

Mikroregulacja 20 ° (+/- 10 ° od środka)

Ołownice

Uchwyt do statywu 5/8 "

Uchwyt do statywu 1/4 "



Wyświetlacz LED laserowa linia

- pozioma
- ⊥ pionowa
- + linia krzyżowa

M12 Paczka baterii

Oznaczenie poziomej wiązki lasera

pokrętko

- OFF Wyłączone / zablokowane
- ON Tryb włączony / ręczny
- ON tryb włączenia / samopoziomowania

Uchwyt magnetyczny

Montaż sufitowy



Akcesoria - brak w wyposażeniu standardowym, dostępne jako akcesoria.

Terminal LM360



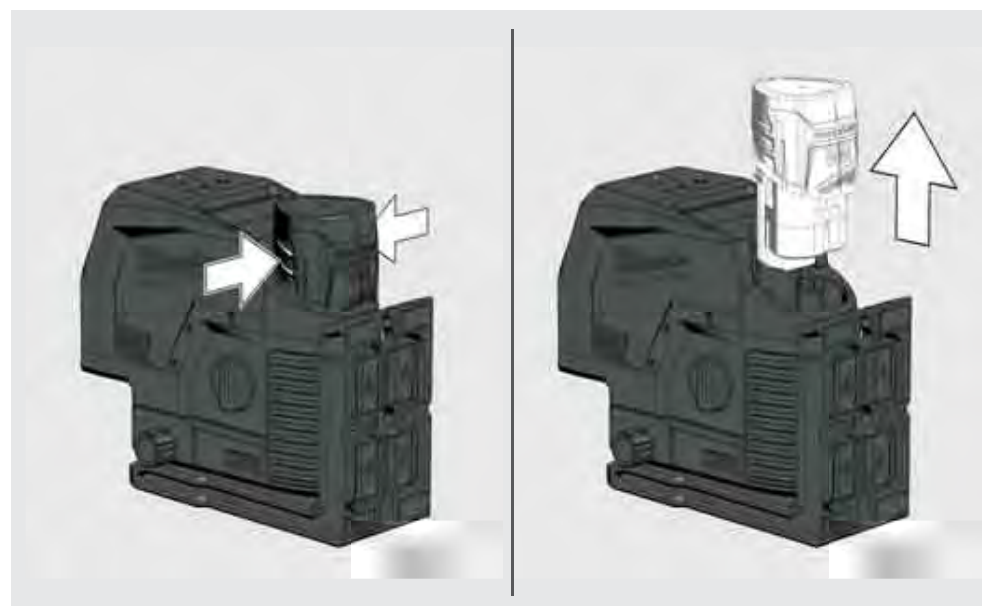
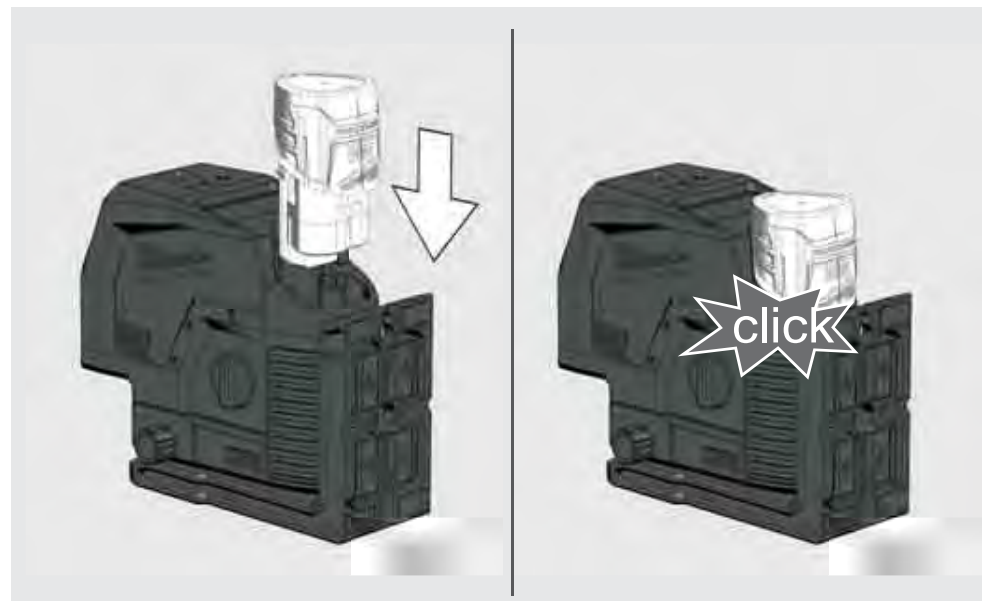
Detektor LLD50



Statyw TRP180

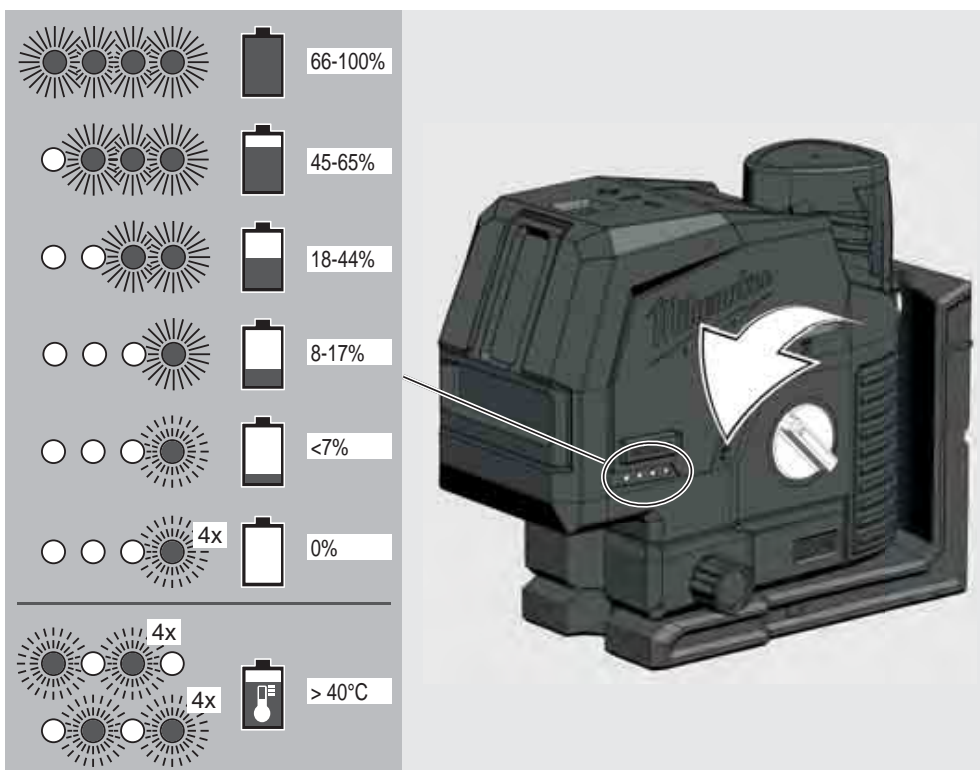


Używaj tylko akumulatorów Milwaukee wielokrotnego ładowania M12.



WSKAŹNIK POJEMNOŚCI BATERII

Po włączeniu lub wyłączeniu lasera miernik poziomu naładowania wyświetli żywotność baterii.



WSKAŹNIK NISKIEGO POZIOMU BATERII

Gdy napięcie jest niskie, laser przełącza się w tryb oszczędzania energii.

Laser miga w trybie samopoziomowania

4 sek. 1 sek.

Laser miga w trybie ręcznym

8 sek. 1 sek.

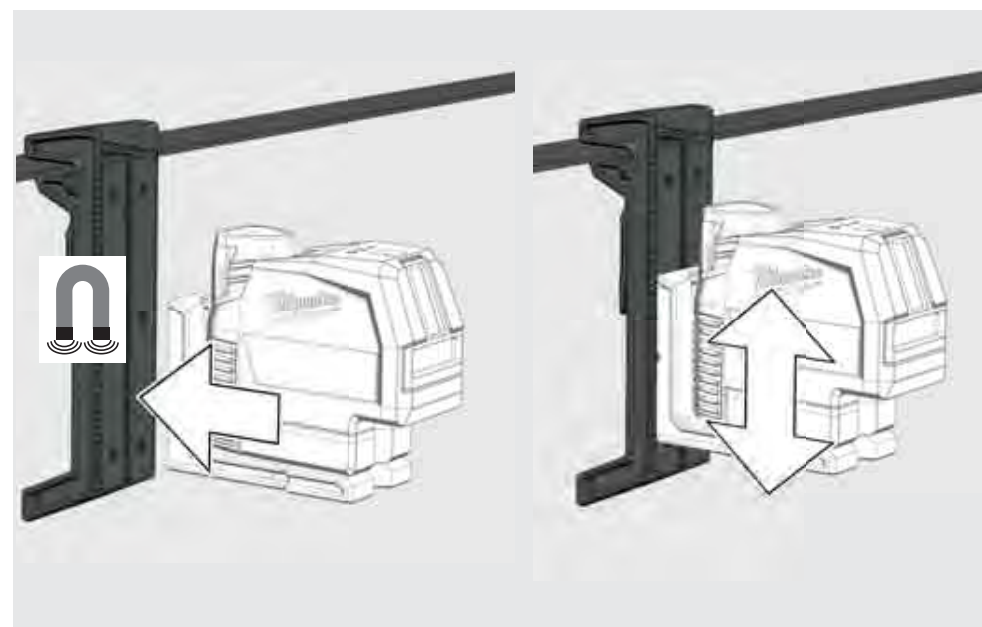
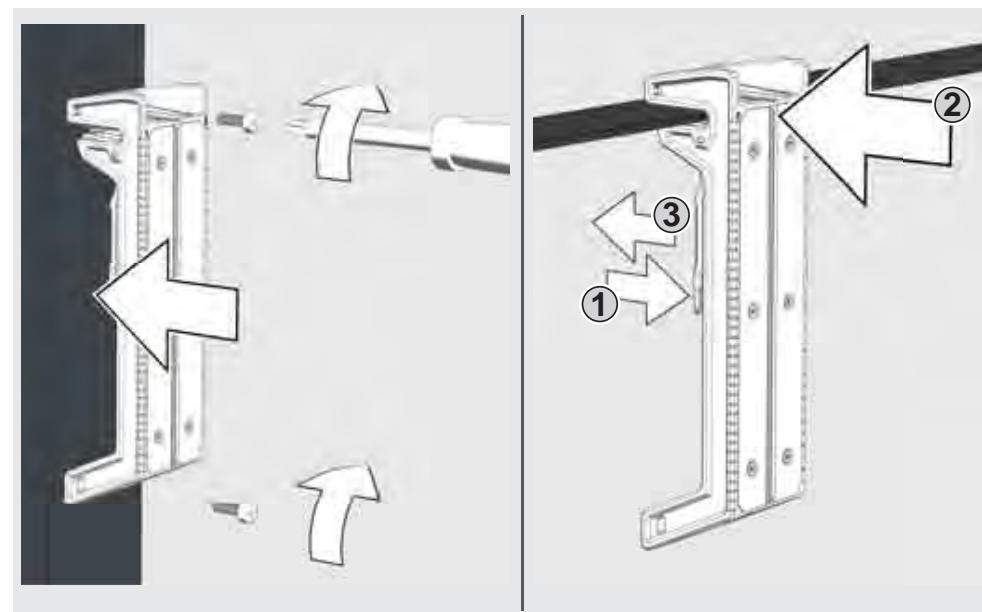
Odtąd nadal można kontynuować pracę.

Gdy napięcie jest zbyt niskie, laser i dioda LED migają 4 razy i automatycznie się wyłączają.

MONTAŻ SUFITOWY

Przymocuj klips gąsienicy za pomocą śrub do słupka.

Użyj uchwyty sufitowego, aby zamocować laser do kanałów sufitowych, stojaków ...

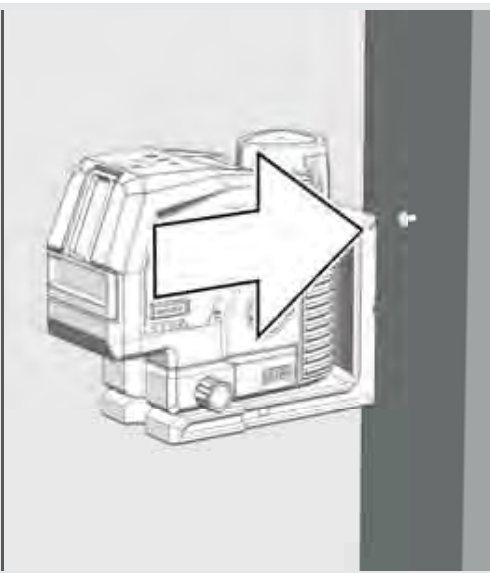
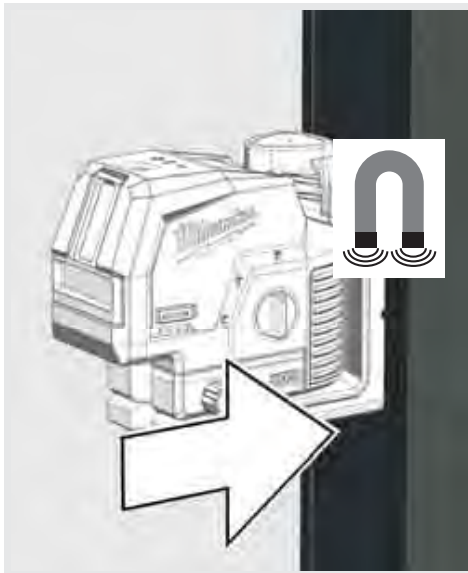


UCHWYT ŚCIENNY I ZIELONA TARCZA CELOWNICZA

Magnetyczny uchwyt ścienny umożliwia mocowanie lasera do ścian, konstrukcji metalowych, itp.

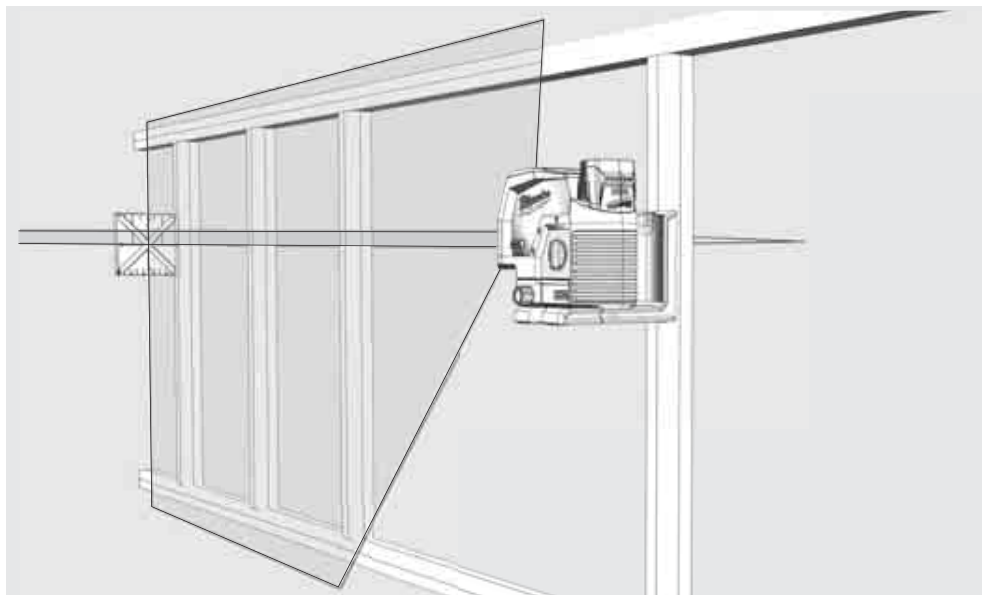
Lub przymocuj śrubą lub gwoździem do słupka.

Użyj zielonej tarczy celowniczej, aby poprawić widoczność wiązki laserowej w niesprzyjających warunkach i na większe odległości.

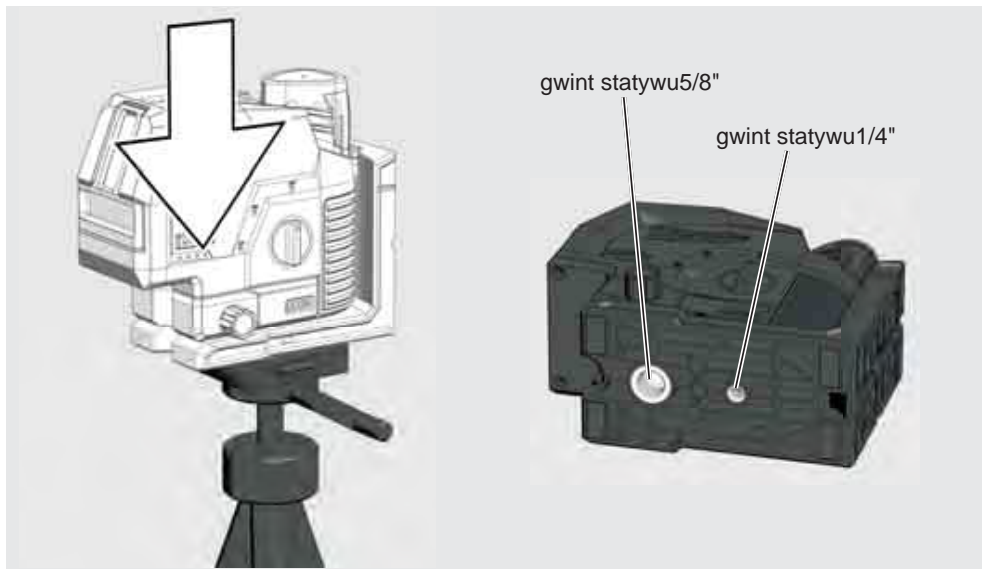


Obróć laser o 360 °.

Użyj pokrętki regulacyjnej do mikroregulacji obrotu o 20 °



Użyj uchwytu do statywu, aby zamocować laser na statywie.



PRACA W TRYBIE SAMOCZYNNEGO POZIOMOWANIA

W trybie samoczynnego poziomowania laser poziomuje się w zakresie $\pm 4^\circ$. Odbyna się to poprzez rzutowanie linii poziomej, pionowej lub obu linii jednocześnie.


1

Umieścić laser na stabilnej, równej i wolnej od drgań powierzchni lub zamocować go na statywie.



Śruba gwintowana 1/4"
Śruba gwintowana 5/8"

2

Przekreść przełącznik obrotowy na: 

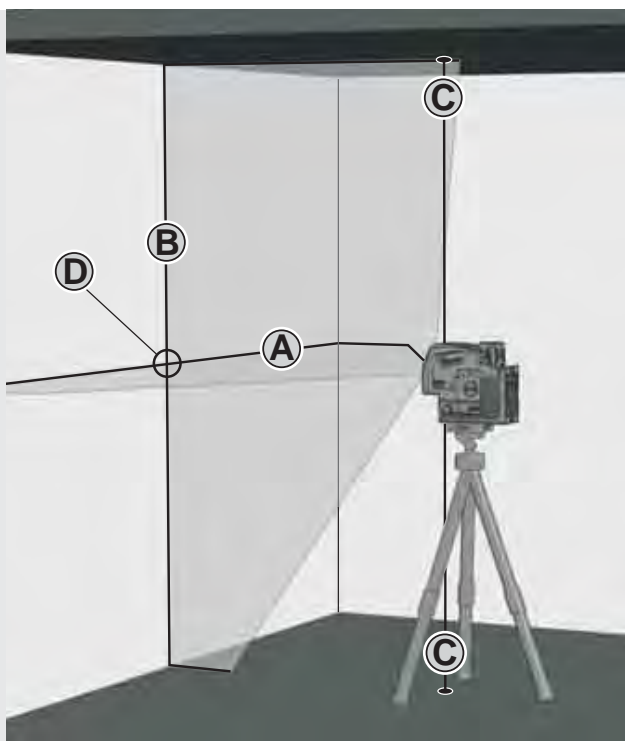


3

Laser generuje 2 linie laserowe.

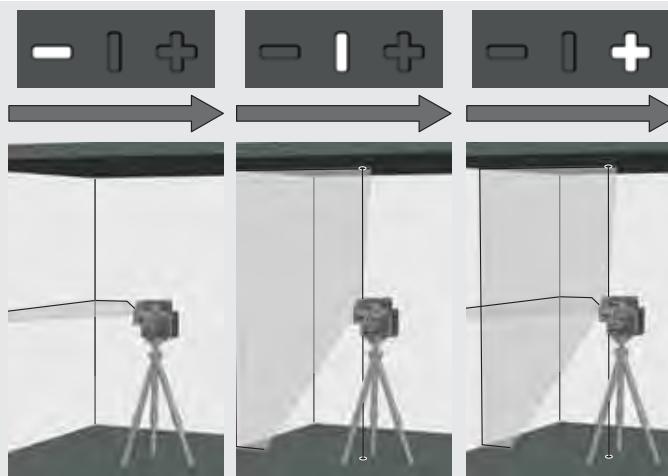
(A) Pozioma linia do przodu
(B) Linia pionowa do przodu
(C) Punkt lasera

(D) Gdy wszystkie linie są aktywne, laser generuje linie krzyżowe do przodu.



4

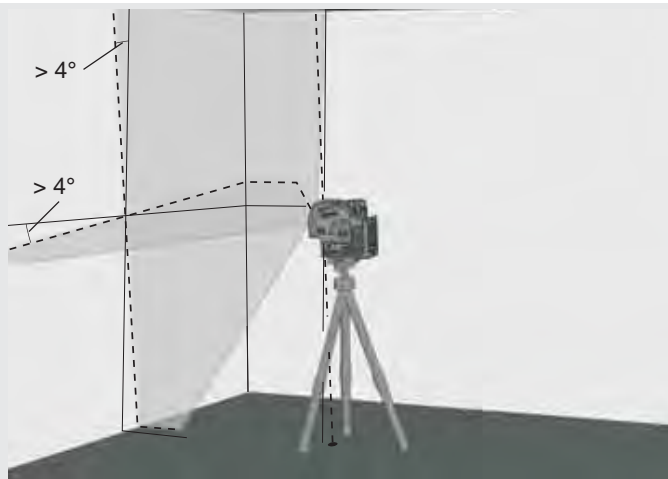
Korzystając z przycisku wybrać żądane linie.




5

Jeżeli przy włączonym samoczynnym poziomowaniu laser nie zostanie wstępnie wyrównany do $\pm 4^\circ$, linie lasera będą migać.

W tym przypadku należy ustawić laser ponownie.



6

Przed przeniesieniem lasera ustaw przełącznik obrotowy w pozycji . Spowoduje to zablokowanie wahadła i ochroni laser.



PRACA W TRYBIE RĘCZNYM


W trybie ręcznym funkcja samoczynnego poziomowania jest wyłączona i laser może być ustawiony na dowolne nachylenie linii laserowych.

1

Laser należy umieścić na stabilnym, równym i wolnym od drgań podłożu lub zamontować na statywie.



2

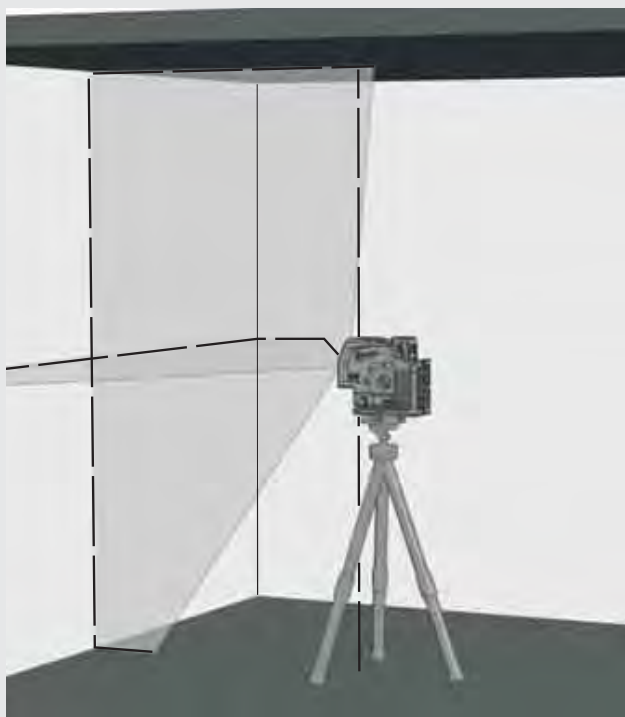
Przekręć przełącznik obrotowy na:  ON.



3

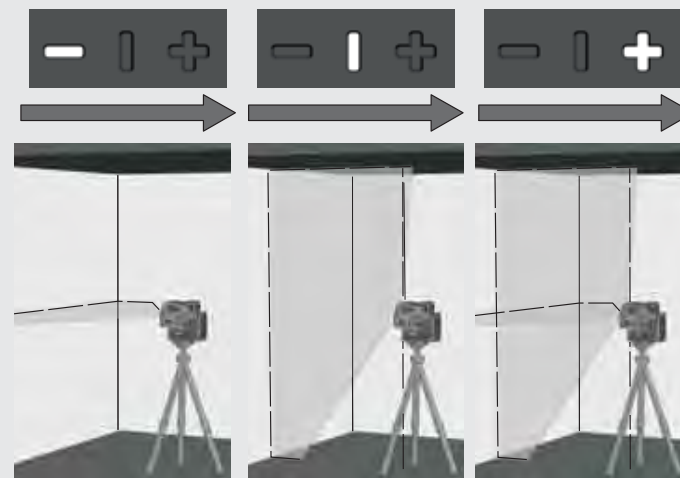
Podobnie jak w trybie samoczynnego poziomowania, laser generuje 2 linie laserowe, jednak w tym przypadku migają one co 8 sekundy.

8 s 8 s 8 s



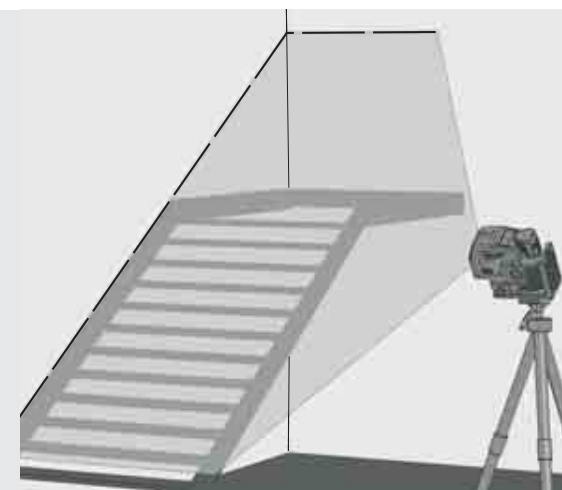
4

Korzystając z przycisku wybrać żądane linie.



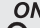

5

Wyregulować laser do żądanej wysokości i nachylenia za pomocą statywu.



6

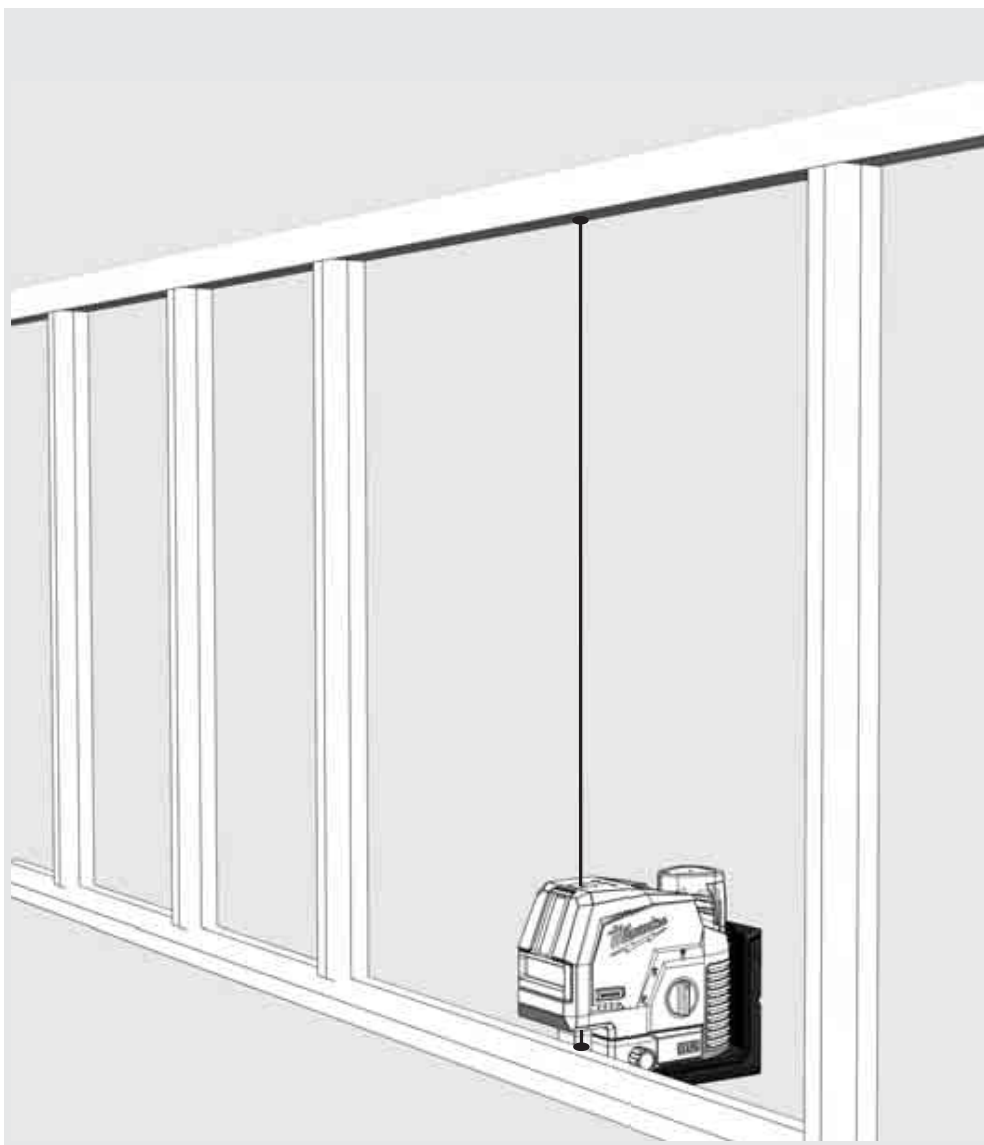
Aby wyjść z trybu ręcznego,

Przekręć przełącznik obrotowy na:  ON
lub
ustaw przełącznik obrotowy w pozycji:  OFF.



FUNKCJA PIONU

Przy pomocy funkcji pionu możliwe jest rzutowanie punktu na podłogę prostopadle do sufitu. Funkcję pionu wykorzystuje się na przykład do przenoszenia punktu odniesienia dla instalacji oświetleniowych i wentylacyjnych lub do przenoszenia wysokości.

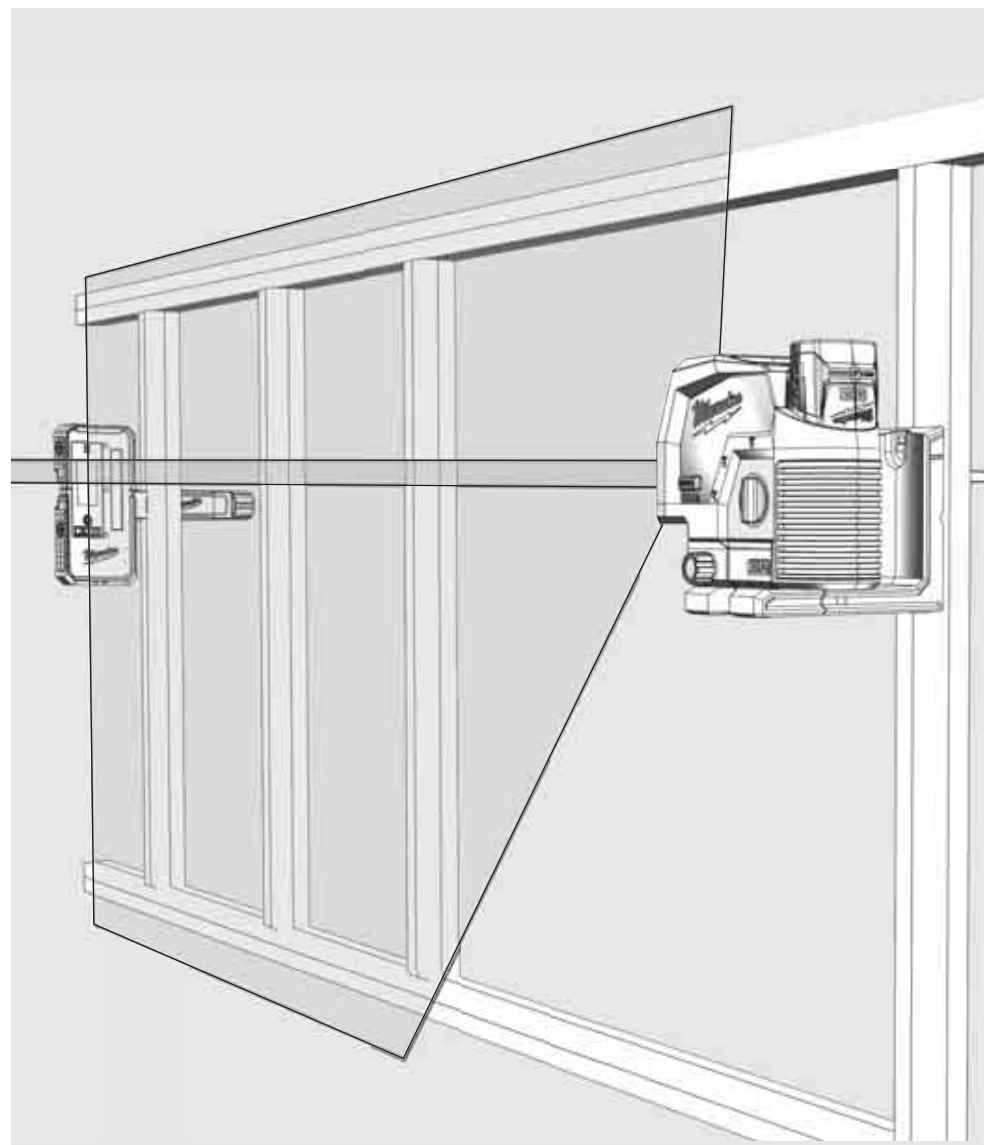


DETEKTOR

Do pracy na zewnątrz w bezpośrednim świetle słonecznym lub w jasnych warunkach oraz przy większych zasięgach do 50 metrów, użyj detektora Milwaukee.

Detektor nie jest dołączony do zestawu i należy go zakupić oddzielnie.

Szczegółowe informacje na temat obsługi detektora znajdują się w instrukcji obsługi detektora.



Laser jest całkowicie skalibrowany fabrycznie. Milwaukee zaleca regularne sprawdzanie dokładności lasera, szczególnie po upadku lub w przypadku błędów w obsłudze.

W przypadku przekroczenia maksymalnego odchylenia podczas sprawdzania dokładności, prosimy o kontakt z jednym z naszych centrów serwisowych Milwaukee (patrz lista z warunkami gwarancji i adresami centrów serwisowych).

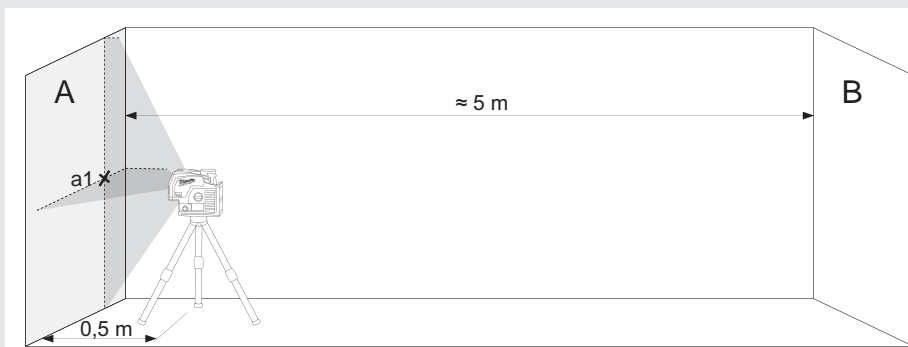
1. Sprawdzanie dokładności wysokości linii poziomej.
2. Sprawdzanie dokładności poziomowania linii poziomej.
3. Sprawdzanie dokładności poziomowania linii pionowej.
4. Sprawdzanie dokładności pionu.

Przed sprawdzeniem dokładności lasera zamontowanego na statywie należy sprawdzić poziom statywu.

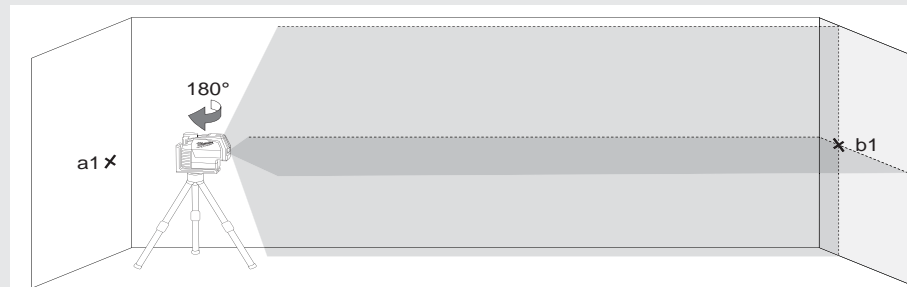


1 SPRAWDZANIE DOKŁADNOŚCI WYSOKOŚCI LINII POZIOMEJ (ODCHYLENIE W GÓRĘ I W DÓŁ)

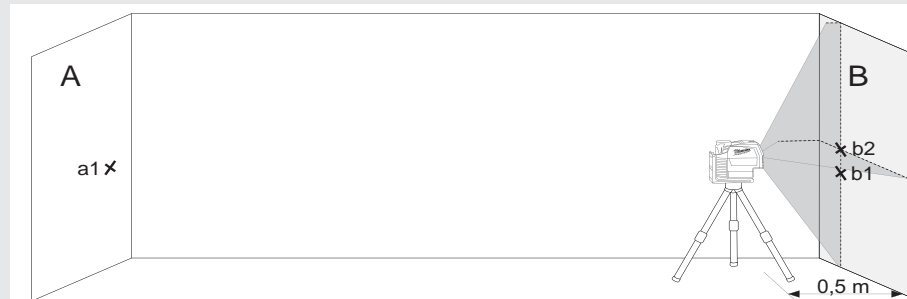
1. Umieścić laser na statywie lub na płaskiej powierzchni pomiędzy dwiema ścianami A i B, oddalonymi od siebie o ok. 5 m.
2. Ustawić laser w odległości ok. 0,5 m od ściany A.
3. Włączyć tryb samoczynnego poziomowania i nacisnąć przycisk, aby wyświetlić linię poziomą i pionową na ścianie A.
4. Zaznaczyć punkt przecięcia dwóch linii jako punkt a1 na ścianie A.



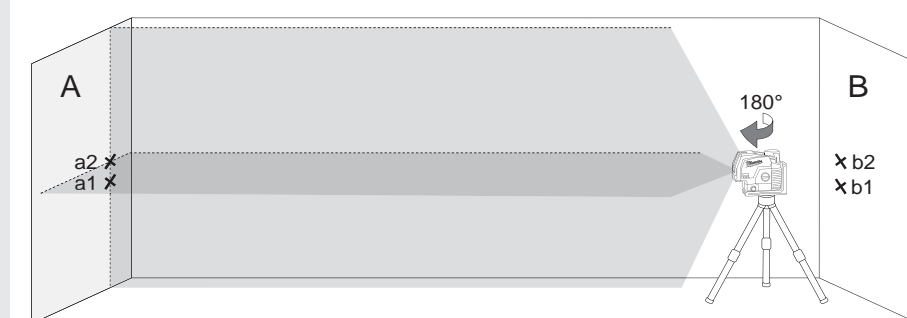
5. Obrócić laser o 180° w kierunku ściany B oraz zaznaczyć punkt przecięcia dwóch linii jako b1 na ścianie B.



6. Umieścić laser w odległości ok. 0,5 m od ściany B.
7. Zaznaczyć punkt przecięcia dwóch linii jako b2 na ścianie B.



8. Obrócić laser o 180° w kierunku ściany A i zaznaczyć na ścianie A punkt przecięcia dwóch linii jako a2.



9. Zmierzyć odległości:

$$\Delta a = |a2 - a1|$$

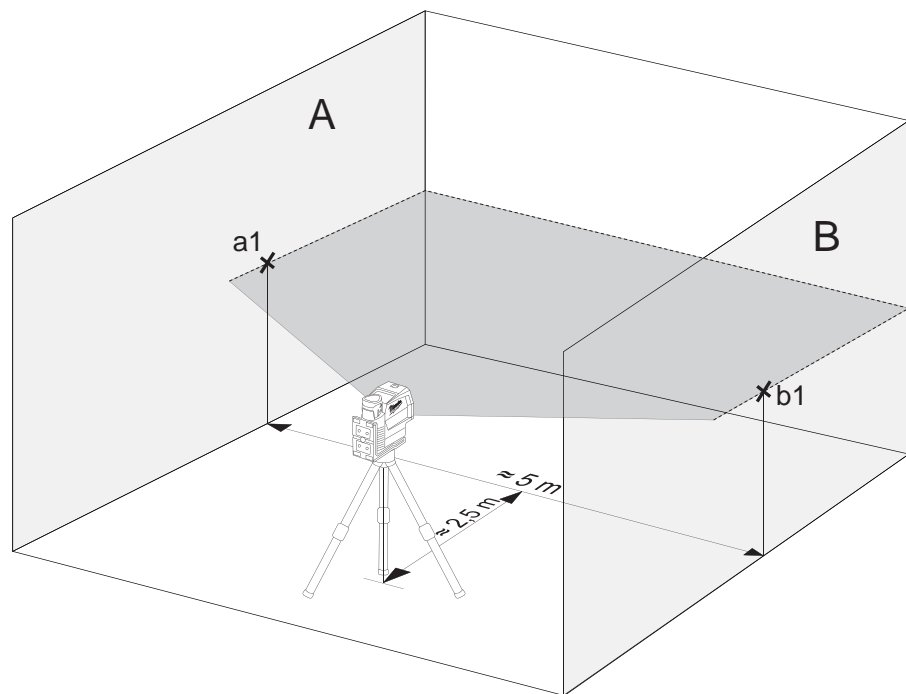
$$\Delta b = |b1 - b2|$$

10. Różnica $|\Delta a - \Delta b|$ nie może przekraczać 2 mm.

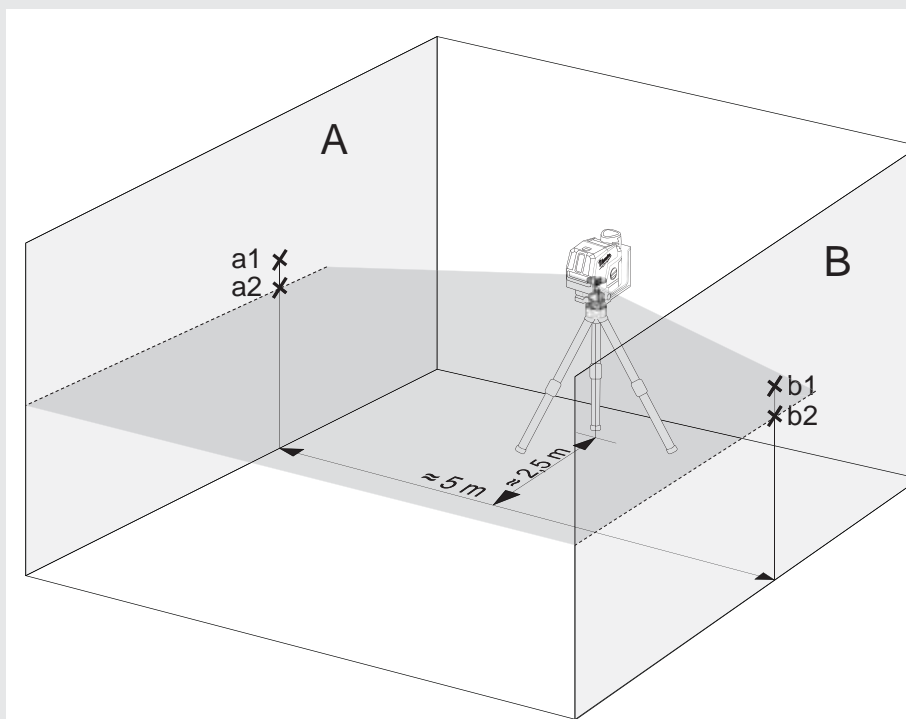
2 SPRAWDZANIE DOKŁADNOŚCI POZIOMOWANIA LINII POZIOMEJ (ODCHYLENIE Z JEDNEJ STRONY NA DRUGĄ)

Do sprawdzenia wymagana jest wolna przestrzeń o wymiarach około 5 x 5 m.

1. Umieścić laser na statywie lub na stabilnej powierzchni pomiędzy dwiema ścianami A i B, oddalonymi od siebie o ok. 5 m.
2. Umieścić laser w odległości około 2,5 m od środka pomieszczenia.
3. Włączyć tryb samoczynnego poziomowania i nacisnąć przycisk, aby wyświetlić linię poziomą na ścianach A i B.
4. Oznaczyć środek linii lasera na ścianie A jako a1, a na ścianie B jako b1.



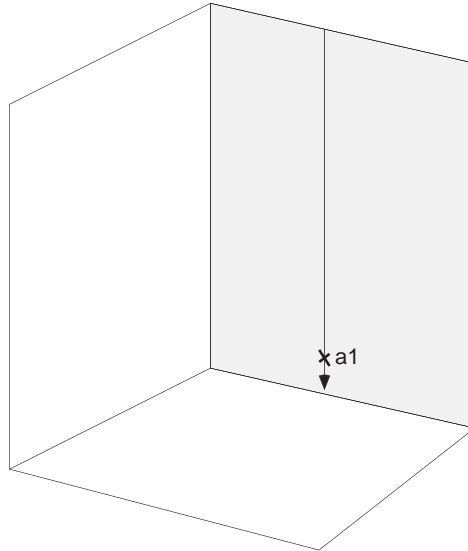
5. Przesunąć laser o ok. 5 m i obrócić go o 180°, a następnie zrutować ponownie linię poziomą na ściany A i B.
6. Oznaczyć środek linii lasera na ścianie A jako a2, a na ścianie B jako b2.



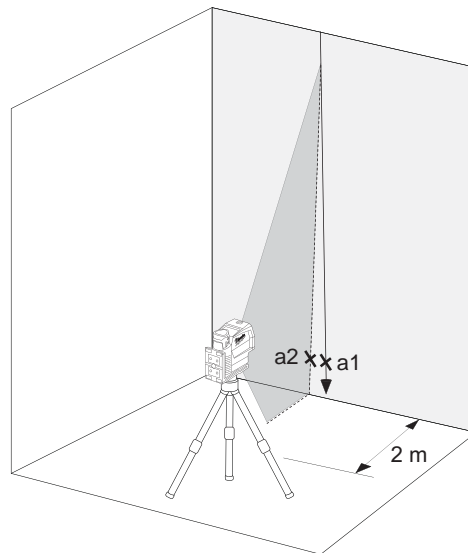
7. Zmierzyć odległości:
 $\Delta a = |a2 - a1|$
 $\Delta b = |b1 - b2|$
8. Różnica $|\Delta a - \Delta b|$ nie może przekraczać 2 mm.

3 SPRAWDZANIE DOKŁADNOŚCI POZIOMOWANIA LINII PIONOWEJ

1. Zawiesić pion o długości ok. 4 m na ścianie.
2. Po ustabilizowaniu się ciężarka należy zaznaczyć na ścianie punkt a1 powyżej wierzchołka ciężarka.



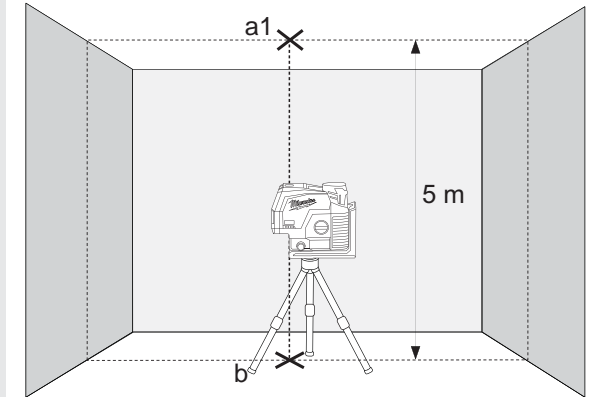
3. Umieścić laser na statywie lub na równej powierzchni w odległości ok. 2 m od ściany.
4. Włączyć tryb samoczynnego poziomowania i nacisnąć przycisk w celu projekcji linii pionowej na pion.
5. Obrócić laser w taki sposób, aby linia pionowa pokrywała się z zawieszeniem pionu.
6. Zaznaczyć punkt a2 na środku pionowej linii na tej samej wysokości co a1 na ścianie.
7. Odległość między a1 i a2 nie może być większa niż 1 mm.



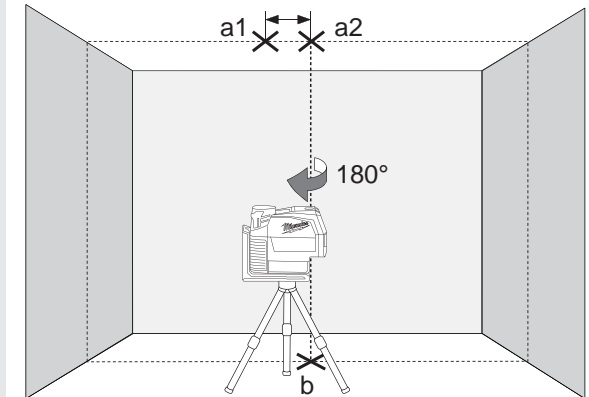
4 KONTROLA DOKŁADNOŚCI PIONU

Do przeprowadzenia tego testu wymagane jest pomieszczenie o wysokości stropu ok. 5 m.

1. Ustaw laser krzyżowy na statywie.
2. Włącz tryb samopoziomowania i naciśnij przycisk, aby przełączyć na funkcję pulchności.
3. Zaznacz górną pionową kropkę na suficie jako punkt a1 (patrz rysunek).
4. Zaznacz dolną pionową kropkę na podłodze jako punkt b.



5. Obrócić laser o 180° i ustawić go tak, aby środek pionu padał na zaznaczony wcześniej punkt b oraz poczekać, aż urządzenie zostanie wypoziomowane.
6. Zaznacz górną pionową kropkę na suficie jako punkt a1 (patrz rysunek).
7. Odległość pomiędzy punktami a1 i a2 na suficie wskazuje, na ile linia laserowa odchyła się od idealnego pionu. Dla odległości pomiarowej 5 m maksymalne dopuszczalne odchylenie wynosi: $5 \text{ m} \times (\pm 0,6 \text{ mm/m}) \times 2 = \pm 6 \text{ mm}$.
8. Odległość między a1 i a2 nie może być większa niż 6 mm.



TARTALOM

Fontos biztonsági előírások.....	193
Karbantartás.....	194
Műszaki adatok.....	194
Rendeltetésszerű használat.....	194
Áttekintés.....	195
Felszerelés.....	196
Cserélje ki az elemet.....	196
Akkumulátor töltöttségi mutatója.....	197
Kevés az akkumulátor.....	197
Mennyezeti szerelés.....	197
Falra szerelhető és zöld céllap.....	198
A lézer használata önszintező üzemmódban.....	199
A lézer használata manuális üzemmódban.....	200
Függőző funkció.....	201
Detektor.....	201
A pontosság ellenőrzése.....	202

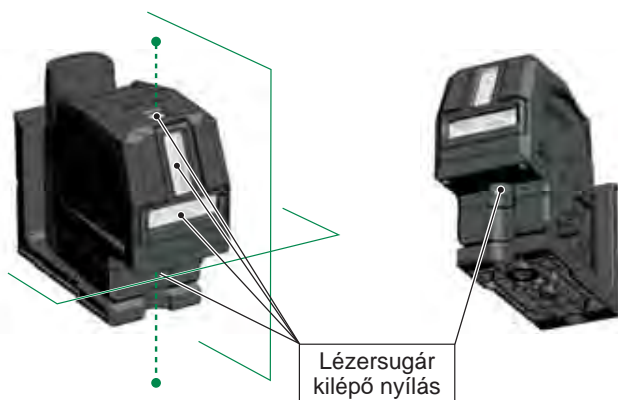
FONTOS BIZTONSÁGI ELŐÍRÁSOK



FIGYELEM! FIGYELMEZTETÉS! VESZÉLY!

A termék használata előtt tanulmányozza található Biztonsági előírásokat és Használati útmutatót.

Lézer osztályozás



FIGYELMEZTETÉS:

Ez a 2. lézerosztályú termék megfelel az EN60825-1:2014 előírásainak.



Figyelmeztetés:

A szemeket tilos a lézersugár közvetlen hatásának kiténni. A lézersugár súlyos szemkárosodást és/vagy vaktságot okozhat.

Tilos közvetlenül a lézersugárba nézni, és szükségtelenül nem szabad más személyekre irányítani.

Vigyázat! Néhány alkalmazásnál a lézert kibocsátó készülék Ön mögött lehet. Ilyen esetben óvatosan forduljon meg.

Figyelmeztetés:

Ne használja a lézert gyerekek közelében és gyerekeknek ne engedje a lézer működtetését.

Figyelem! Visszaverő felületekről visszaverődhet a lézersugár a kezelőre vagy más személyekre.

Figyelmeztetés: A kézikönyvből meghatározottól eltérő vezérlőelemek és beállítások használata, vagy attól eltérő eljárások végrehajtása veszélyes sugárterhelést okozhat.

Ha a lézert nagyon hidegből meleg környezetbe (vagy fordítva) viszik, akkor használat előtt el kell érnie a környezeti hőmérsékletet.

A lézert nem szabad a szabadban tárolni, és óvni kell ütésektől, tartós rázkódástól és a szélsőséges hőmérsékletektől.

A lézeres mérőműszert védeni kell portól, nedvességtől és magas páratartalomtól. Az ilyen körülmények tönkretelhetik a belső alkatrészeket, vagy befolyásolhatják a pontosságot.

Ha a szemet lézersugárzás éri, akkor a szemet be kell csukni és a fejet azonnal el kell fordítani a sugár útjából.

Ügyeljen arra, hogy a lézersugarat úgy pozicionálja, hogy az ne vakítsa el Önt vagy más személyeket.

Tilos a lézersugárba optikai nagyítóeszközökkel, például távcsővel vagy teleszkóppal belenézni. Ellenkező esetben megnő a súlyos szemkárosodások veszélye.

Vegye figyelembe, hogy a lézerszemüveg a lézervonalak jobb felismerésére szolgál, azonban nem védi a szemet a lézersugárzástól.

A lézerkészüléken lévő figyelmeztető táblákat nem szabad eltávolítani vagy felismerhetetlenné tenni.

Ne szerelje szét a lézert. A lézersugárzás súlyos szemsérüléseket okozhat.

A lézer szállítása előtt biztosítsa, hogy az ingarögzítő rögzítve legyen.

Megjegyzés: Ha az ingarögzítő nincs rögzítve, akkor szállítás közben a készülék belseje megsérülhet.

Ne használjon agresszív tisztítószerkeket vagy oldószerkeket. A tisztítást csak tiszta, puha kendővel végezze.

A lézert óvni kell az erős ütésektől és zuhanásoktól. Ha a készülék leesett vagy erős mechanikus behatás érte, akkor használat előtt ellenőrizni kell a készülék pontosságát.

A lézeres eszközön szükséges javításokat csak felhatalmazott szakember végezhet.

A terméket tilos robbanásveszélyes vagy agresszív környezetben használni.

Ha a készüléket hosszabb ideig nem használják, akkor az elemeket ki kell venni az elemtartó rekeszből. Így elkerülhető az elemek kifolyása és az ehhez kapcsolódó korróziós károk.



A lemerült elemeket nem szabad a háztartási hulladékkal együtt ártalmatlanítani. Az elhasznált elemeket környezetkímélő ártalmatlanítás céljából a nemzeti vagy helyi előírások szerint az arra kijelölt gyűjtőhelyeken kell leadni. A készüléket nem szabad a háztartási hulladékkal együtt ártalmatlanítani. A készülék ártalmatlanítását szakszerűen kell végezni. Be kell tartani az ártalmatlanításra vonatkozó országspecifikus előírásokat. Az ártalmatlanításra vonatkozó információkért forduljon a helyi hatósághoz vagy kereskedőjéhez.



Európai megfeleléségi jelölés

KARBANTARTÁS

A lézer objektívét és a burkolatot puha, tiszta kendővel tisztítsa. Ne használjon oldószert. Még ha a lézer bizonyos fokig ellen is áll a pornak és a szennyeződéseknek, nem ajánlott hosszabb ideig poros helyen tárolni, mivel ellenkező esetben a belső mozgó részek megsérülhetnek.

Ha a lézer nedves lesz, akkor a hordkofferbe helyezés előtt meg kell szárítani, hogy ne alakuljanak ki korrózió miatti károsodások.

MŰSZAKI ADATOK

Lézerosztály	2
Önszintezési tartomány	± 4°
Önszintezési idő	3 s
Elemtípus	Li-Ion
DC feszültség	12V ---
Védettségi fokozat (fröccsenő víz és por ellen)	IP54*
Max. magasság	2000 m
Max. relatív páratartalom	80%
Szennyezettségi fok az IEC 61010-1 szerint	2**
t _p impulzusidő	≤ 80 μs
Funkciók	vízszintes vonal, függőleges vonal, keresztvonalak, függőző funkció (2 pont)
Frekvencia	10 kHz-es
Vetítés	2 zöld vonal, 2 pont zöld
Diódamennyiség	2
Dióda típusa	30 mW
Lézervonal-kibocsátási minta	Egyetlen vízszintes, egy függőleges + 2 db pont fel és le, keresztirány + 2 db pont (fel és le).
Üzemidő	15 óra Akkumulátorral M12 3.0 Ah
Állványmenet	1/4" / 5/8"
Megfelelő detektor	Milwaukee LLD50

Lézervonal	Szélesség < 9,53mm @ 30m Hullámhossz 510 - 530 nm, II-es lézerosztály Maximális teljesítmény ≤ 7 mW Pontosság +/- 3 mm / 10 m Nyílásszög ügőleges vonal > 120°; vízszintes vona > 114° Szín zöld Hatótáv 38 m (detektorral 50 m)
Függőzőpont	Lézerpont hullámhossz 510 - 530 nm, II-es lézerosztály Lézerpont max. teljesítmény < 1 mW Függőző pontosság +/- 3 mm / 10 m Lézerpont színe zöld Hatótáv 30 m
Ajánlott üzemi hőmérséklet	-10 °C - +40 °C
Tárolási hőmérséklet	-20 °C - +50 °C
Ajánlott akkutípusok	M12 B...
Méret	170 mm x 82 mm x 148 mm
Súly (elemekkel)	1205 g

* A lítium-ion akkura és az akkutartó rekeszre nem vonatkozik az IP54 védettségi fokozat.

** Csak nem vezetőképes szennyeződés történik, melynél azonban alkalmoszerűen kondenzáció miatti átmeneti vezetőképesség várható.

RENDELTETÉSSZERŰ HASZNÁLAT

A termék preferáltan beltéri használatra készült. Szabadban történő használatkor ügyelni kell arra, hogy a keretfeltételek megfeleljenek a beltéri használat keretfeltételeinek.

A jelen innovatív lézer széles körű, professzionális felhasználásra készült, pl.:

- csempék, márványlapok, szekrények, bordűrök, idomelemek és szegélyek beállítása.
- alapvonalak kijelölése ajtók, ablakok, sínek, lépcsők, kerítések, kapuk, verandák és pergolák beépítéséhez.
- Vízszintes és függőleges vonalak meghatározásához és ellenőrzéséhez.
- Függesztett mennyezetek és csővezetékek szintezése, ablakfelosztás és csőbeállítás, határolófalak szintezése villamos szerelésekhez

A terméket csak a megadottak szerint, rendeltetészerűen szabad használni.

Függőzőpont

Függőleges lézervonal ablak

Vízszintes lézervonal ablak

Mód választó gomb

Rövid megnyomás: Válasszon a lézeres vonalak közül:

- vízszintes
- függőleges + mellékfunkció
- keresztvonalak + mellékfunkció

Hosszan lenyomva: a normál üzemmód / az energiatakarékos mód váltása

LED kijelző akkumulátor kapacitás

20 ° mikrobeállítás (+/- 10 ° a középpontból)

Függőzőpont

Állványra szerelhető 5/8 "

Állványra szerelhető 1/4 "

LED-es kijelző lézer vonal

- vízszintes
- ⊥ függőleges
- ⊕ keresztvonal

M12 akkumulátor

Jelölés a vízszintes lézergusárra

Forgatógomb

- OFF Ki / zárva
- ON Be / kézi üzemmód
- ON be / önszintező mód

mágneses tartó

Mennyezeti szerelés



FELSZERELÉS

Kiegészítők - Nem tartoznak a standard felszereléshez, kiegészítőként kaphatók.

LM360 terminál



Detektor LLD50

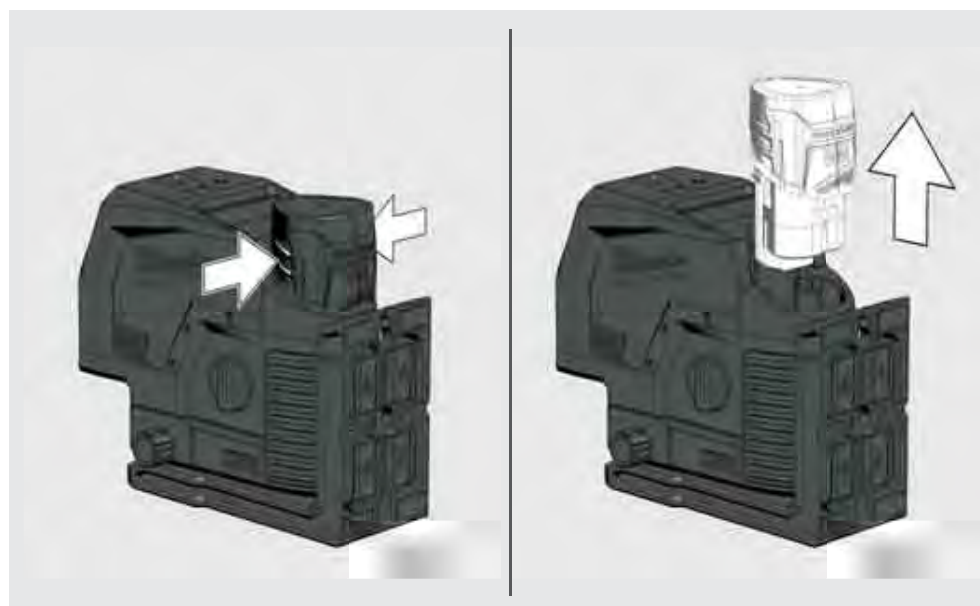
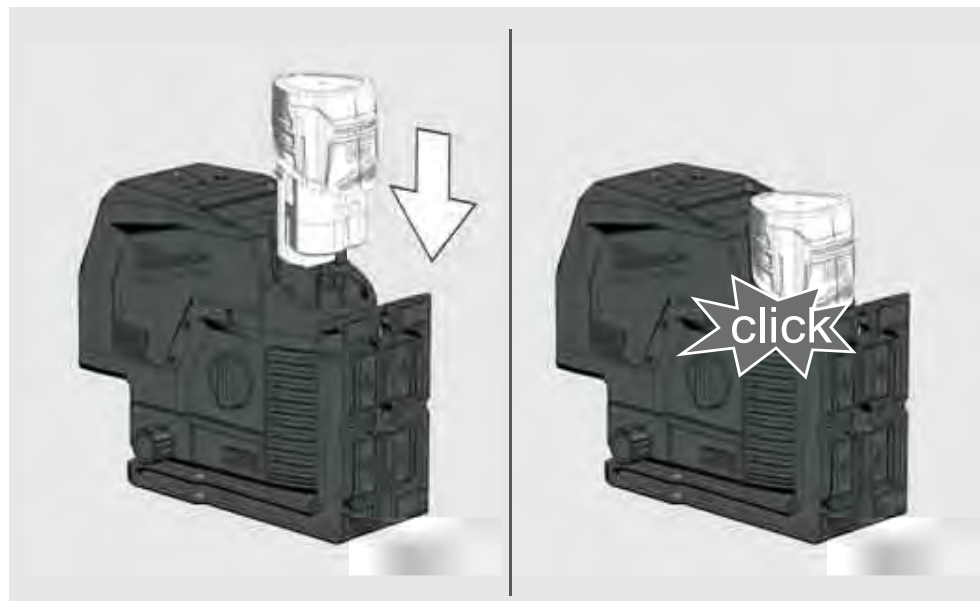


Állvány TRP180



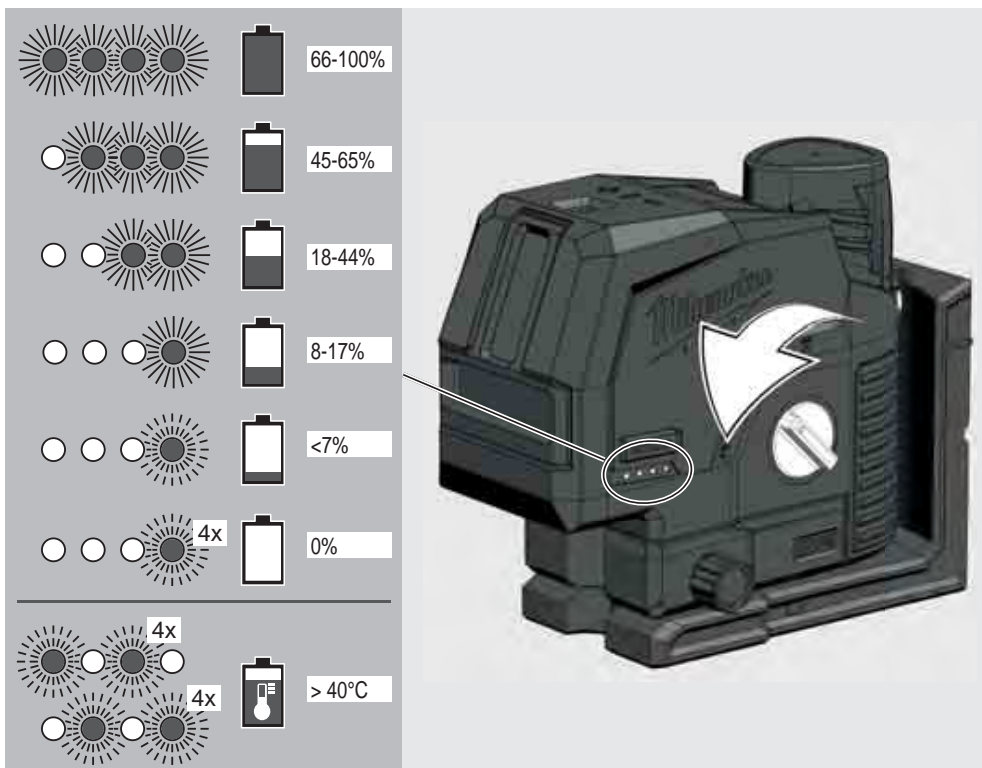
CSERÉLJE KI AZ ELEMET

Csak M12 típusú újratölthető Milwaukee akkumulátort használjon.



AKKUMULÁTOR TÖLTÖTTSEGI MUTATÓJA

A lézer be- vagy kikapcsolása után az üzemanyag-mérő kijelzi az akkumulátor élettartamát.



KEVÉS AZ AKKUMULÁTOR

Ha a feszültség alacsony, a lézer energiatakarékos üzemmódba kapcsol.

A lézer önszintező üzemmódban villog

4 mp 1 mp.

A lézer kézi üzemmódban villog

8 mp 1 mp.

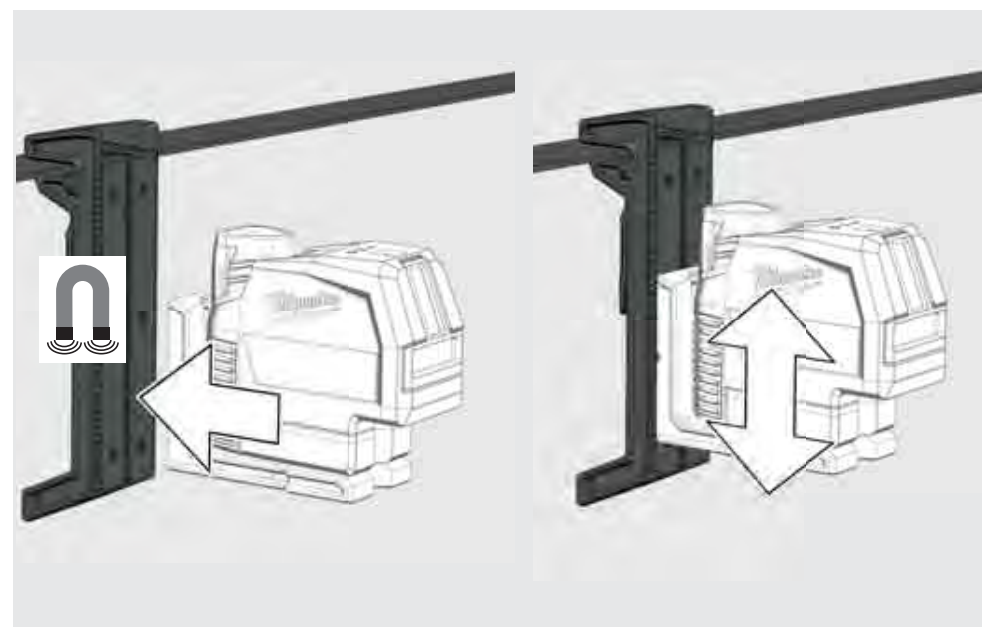
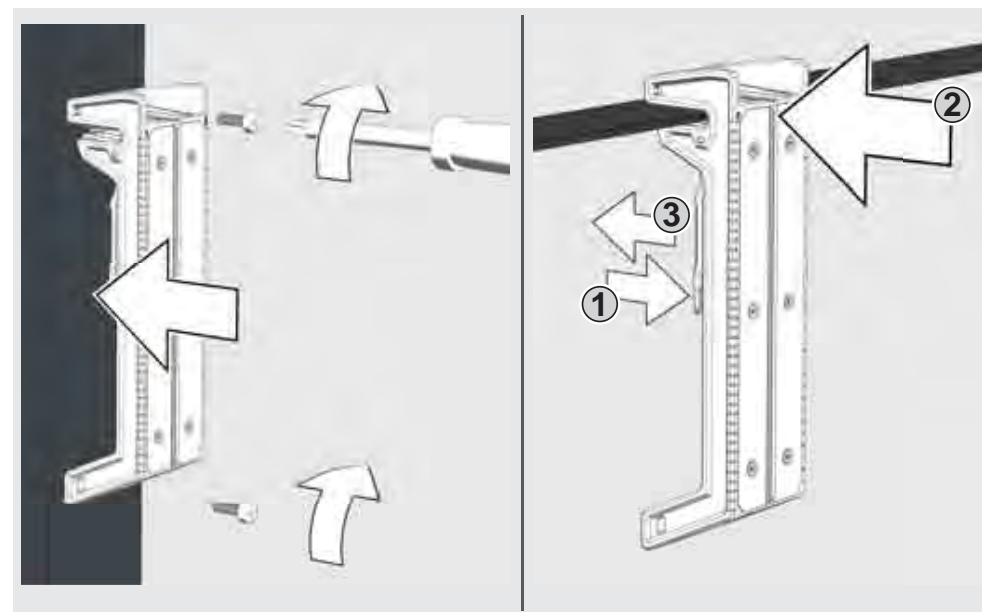
Mostantól továbbra is folytatható a munka.

Ha a feszültség alacsony, a lézer és a LED négyszer villog, és automatikusan kikapcsol.

MENNYEZETI SZERELÉS

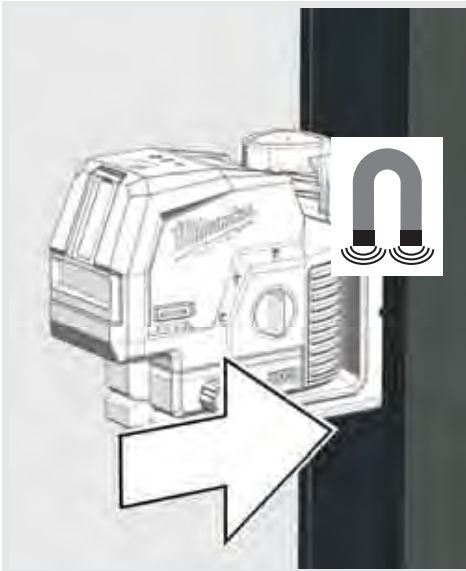
Rögzítse a nyomtárat csavarokkal az oszlophoz.

A mennyezeti tartóval rögzítse a lézert a mennyezeti csatornához, állványokhoz ...



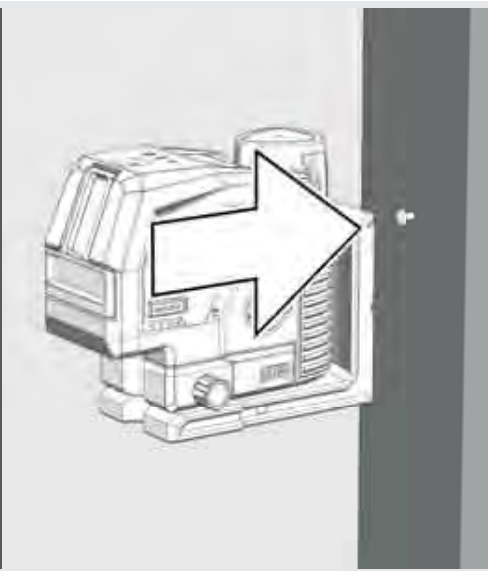
FALRA SZERELHETŐ ÉS ZÖLD CÉLLAP

A mágneses fal tartóval a lézer falakra, fém szerkezetekre vagy hasonlókra rögzíthető.



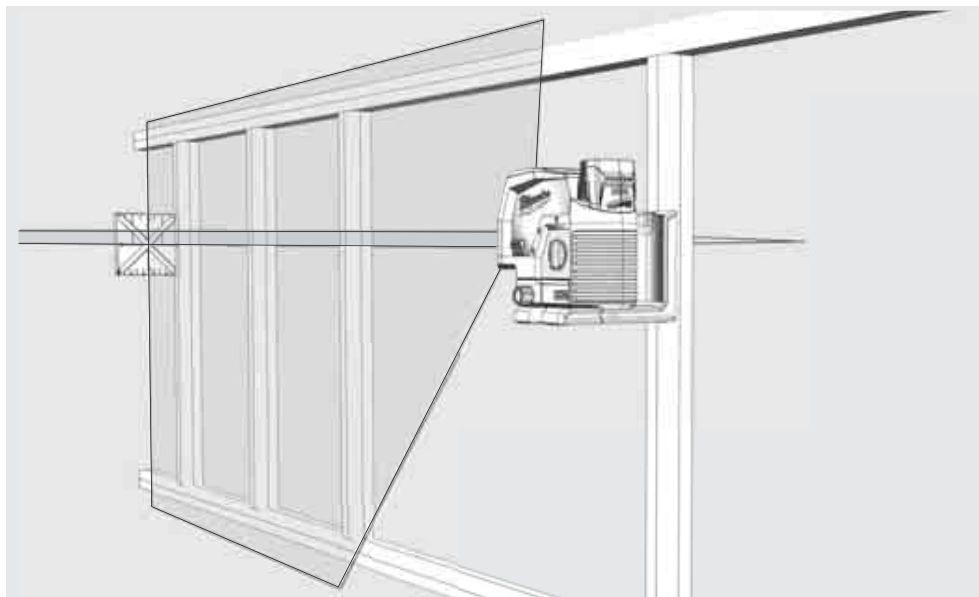
Fordítsa el a lézert 360 °.

Vagy rögzítsen egy csavarral vagy szögekkel az oszlopon.

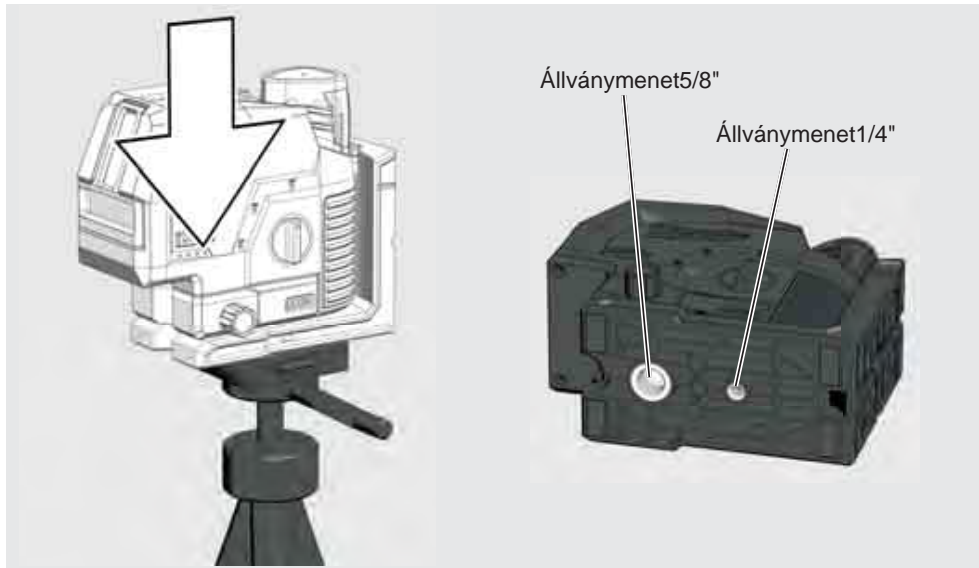


Használja a beállító gombot a 20 ° -os pivot mikrobeállításhoz

Használja a zöld céllapot a lézernyaláb láthatóságának javításához kedvezőtlen körülmények között és nagyobb távolságokon



Használja az állványtartót a lézer rögzítéséhez az állványra.



A LÉZER HASZNÁLATA ÖNSZINTEZŐ ÜZEMMÓDBAN


Önszintező üzemmódban a lézer $\pm 4^\circ$ -os tartományban saját magát beállítja. Ehhez a készülék egy vízszintes vonalat, egy függőleges vonalat vagy a két vonalat egyszerre vetíti ki.

1

Állítsa a lézert szilárd, sík és rázkódásmentes aljzatra, vagy szerelje állványra.



2

Forgassa a forgókapcsolót:  ON helyzetbe.

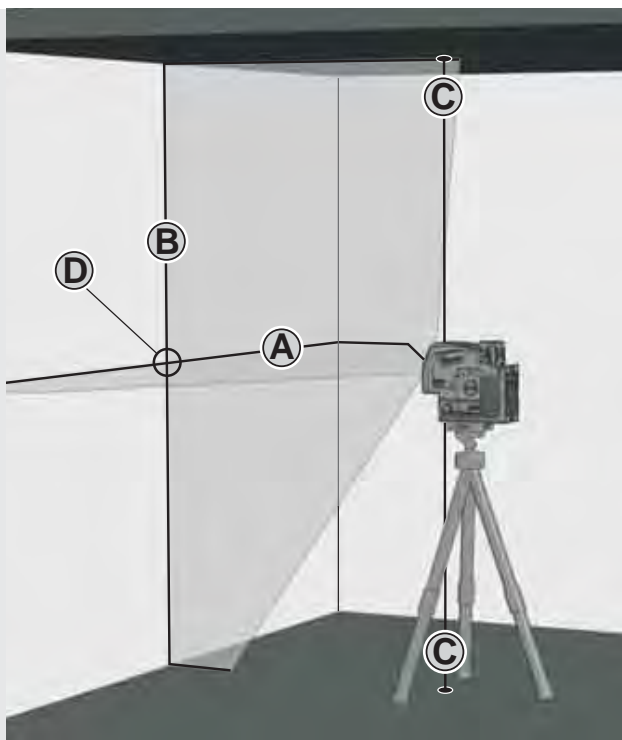


3

A lézer 2 lézervonalat generál.

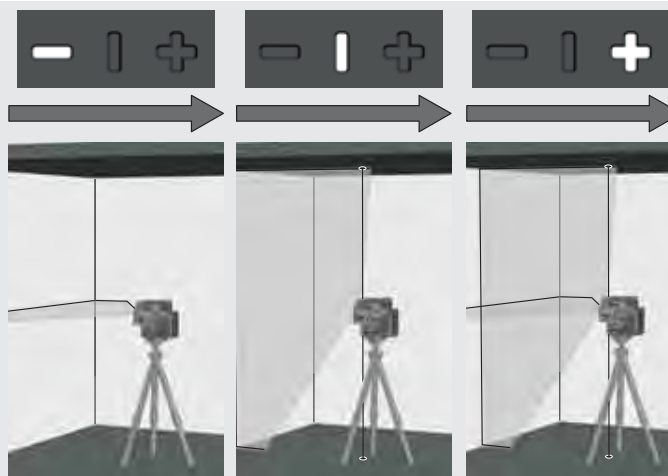
- (A) Vízszintes vonal előre
- (B) Függőleges vonal előre
- (C) Lézerpont

(D) Ha minden vonal aktiválva van, akkor lézer keresztvonalakat generál előre.



4

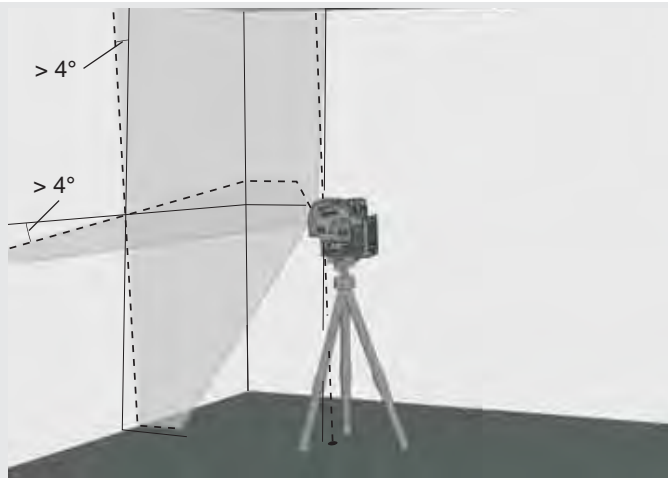
Válassza ki a kívánt vonalakat a gombbal.




5

Ha a lézer bekapcsolt önszintezéskor kezdetben nem $\pm 4^\circ$ -ra van beállítva, akkor villognak a lézervonalak.

Ilyen esetben a lézert újra kell pozicionálni.



6

A lézer mozgatása előtt fordítsa a forgókapcsolót  OFF helyzetbe. Ezáltal rögzül az inga, és a lézer védve van.



A LÉZER HASZNÁLATA MANUÁLIS ÜZEMMÓDBAN

Manuális üzemmódban az önszintező funkció ki van kapcsolva, és a lézer a lézervonalak bármely tetszőleges dőlésére beállítható.

1

Állítsa a lézert szilárd, sík és rázkódásmentes aljzatra, vagy szerelje állványra.



2

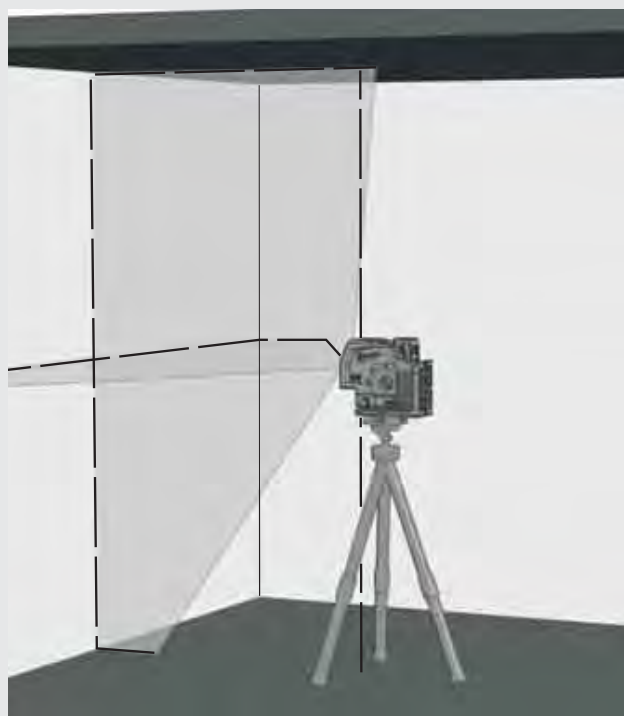
Forgassa a forgókapcsolót: **ON** helyzetbe.



3

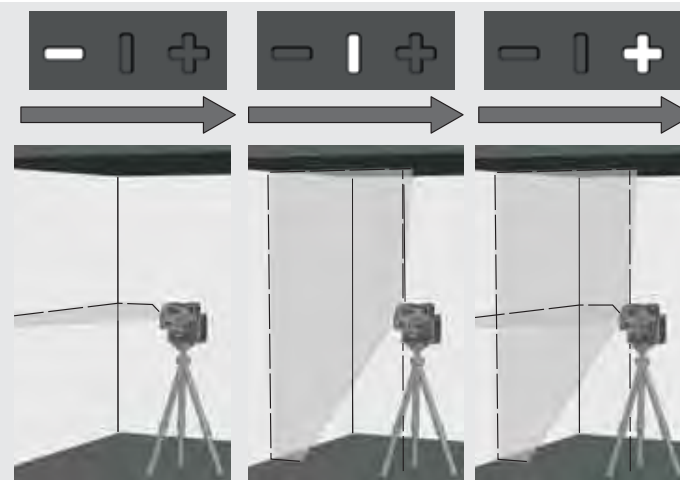
Úgy, mint önszintező üzemmódban, a lézer 2 lézervonalat generál, melyek azonban 8 másodpercenként megszakadnak.

8 mp 8 mp 8 mp



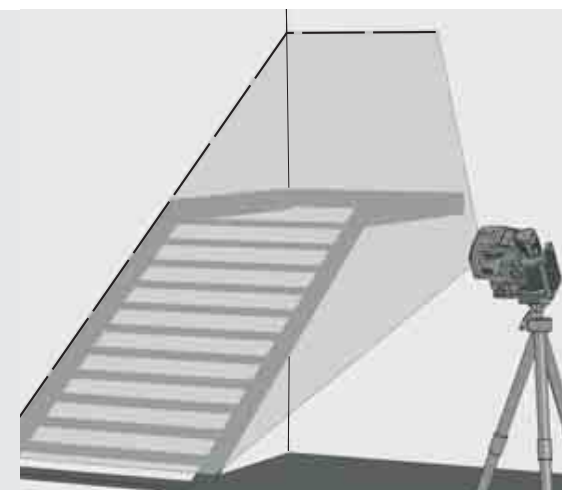
4

Válassza ki a kívánt vonalakat a gombbal.



5

Az állvány segítségével állítsa be a lézert a kívánt magasságra és dőlésre.



6

A kézi üzemmódból való kilépéshez

Forgassa a forgókapcsolót: **ON** helyzetbe.

vagy

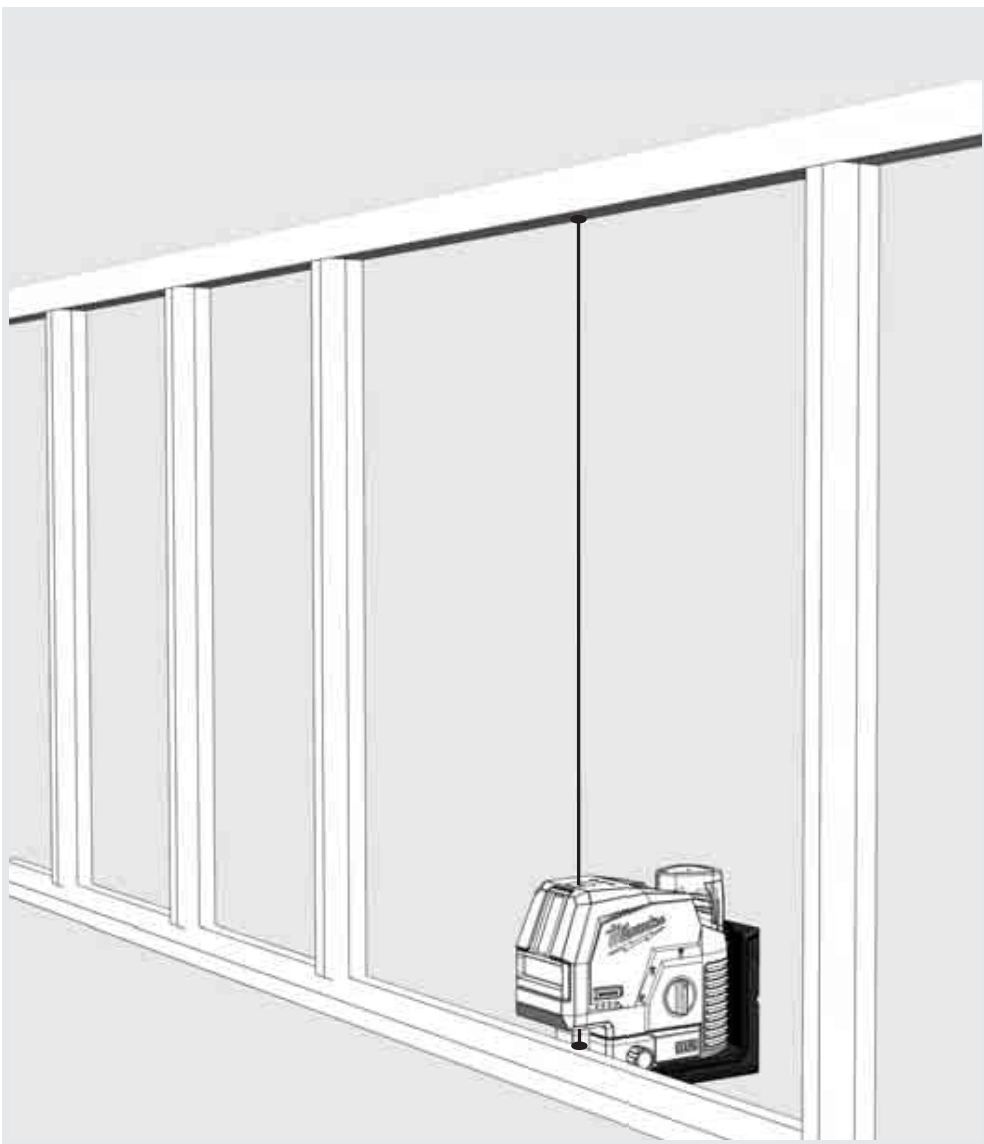
fordítsa a forgókapcsolót: **OFF** helyzetbe.



FÜGGŐZŐ FUNKCIÓ

A függőző funkcióval egy a padlón lévő pont vetíthető merőlegesen a mennyezetre.

A függőző funkció például egy referenciapont átvitelére szolgál a világítás- és szellőzésszereléshez, vagy magasságok átvitelére.

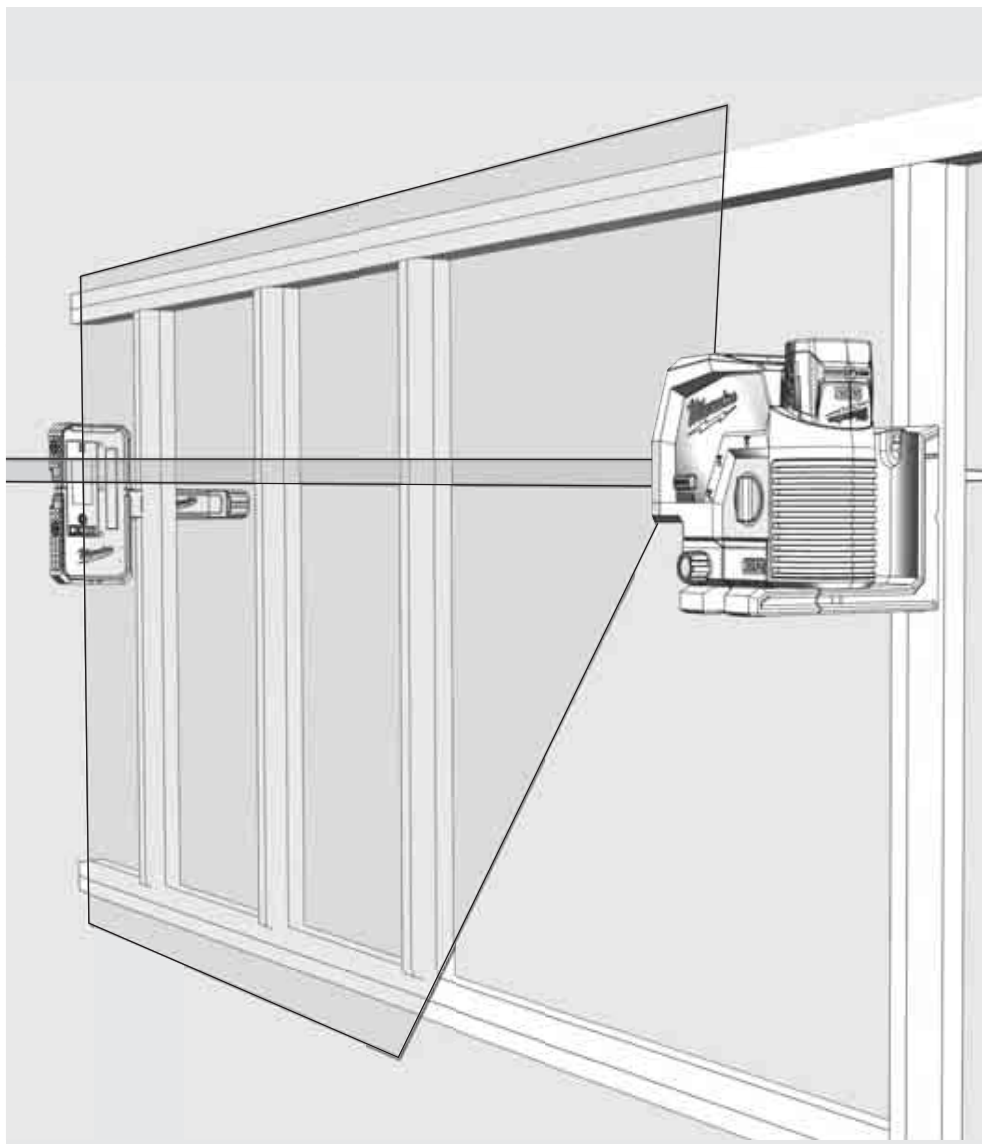


DETEKTOR

Közvetlen napsugárzás vagy fényes feltételek mellett végzett szabadtéri munkákhoz, valamint kiterjesztett beltéri távolságig (akár 50 méter) használja a Milwaukee detektorot.

A detektor nem része a szállítási terjedelemnek és azt külön kell beszerezni.

A detektor használatára vonatkozó részletes információk a detektor kezelési útmutatójában található.



A PONTOSSÁG ELLENŐRZÉSE

A lézer gyárilag teljesen kalibrálásra kerül. Az Milwaukee azt javasolja, hogy rendszeresen ellenőrizzék a lézer pontosságát, mindenekelőtt ha készülék előzőleg leesett vagy kezelési hibák után.

Ha a pontosság ellenőrzésekor a maximális eltérés túllépésre kerül, kérjük, forduljon egyik Milwaukee szervizközpontunkhoz (lásd a garanciafeltételeket és a szervizközpontok címét tartalmazó listát).

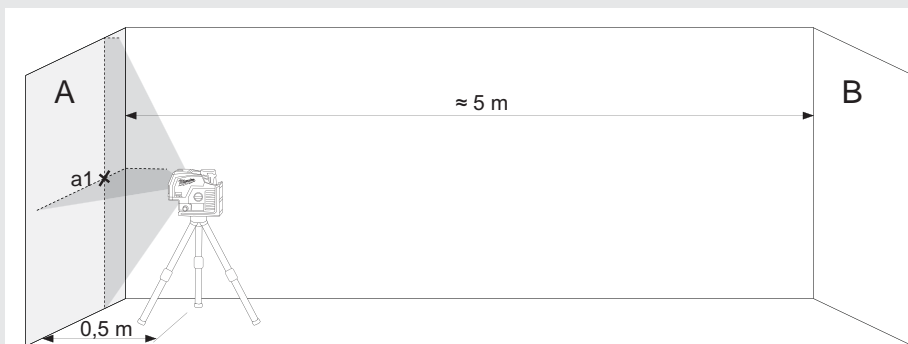
1. A vízszintes vonal magassági pontosságának ellenőrzése.
2. A vízszintes vonal szintezési pontosságának ellenőrzése.
3. A függőleges vonal szintezési pontosságának ellenőrzése.
4. A függőzési pontosság ellenőrzése

Az állványra szerelt lézer pontosságának vizsgálata előtt ellenőrizze az állvány szintezését.

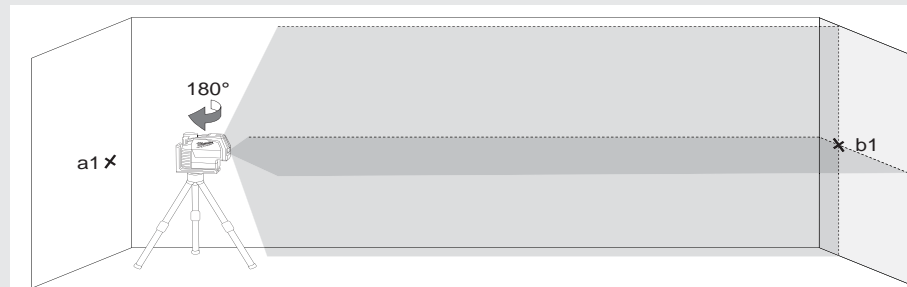


1 A VÍZSZINTES VONAL MAGASSÁGI PONTOSSÁGÁNAK ELLENŐRZÉSE (ELTÉRÉS FELFELÉ ÉS LEFELE)

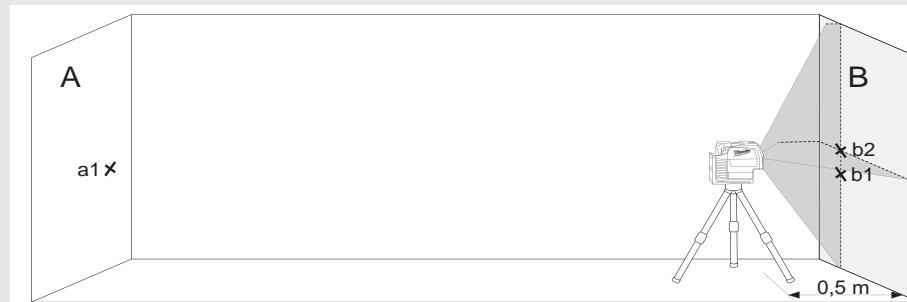
1. Állítsa fel a lézert egy állványon vagy sík aljzaton két, egymástól kb. 5 m távolságban lévő A és B fal között.
2. A lézert kb. 0,5 m-rel az A faltól helyezze el.
3. A vízszintes és a függőleges vonal A falra vetítéséhez kapcsolja be az önszintező üzemmódot és nyomja meg a gombot.
4. A két vonal metszéspontját a1 pontként jelölje fel az A falra.



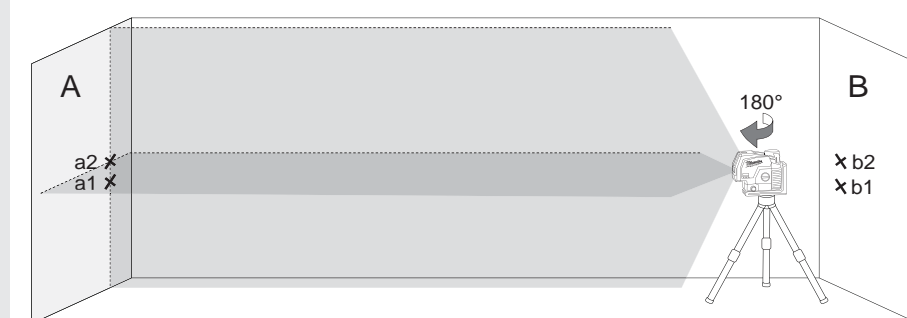
5. Fordítsa el a lézert 180°-kal a B fal irányába, és b1 pontként jelölje fel a két vonal metszéspontját a B falra.



6. A lézert kb. 0,5 m-rel a B faltól állítsa fel.
7. A két vonal metszéspontját b2 pontként jelölje fel a B falra.



8. Fordítsa el a lézert 180°-kal az A fal irányába, és a2 pontként jelölje fel a két vonal metszéspontját az A falra.



9. Mérje meg a következő távolságokat:

$$\Delta a = |a2 - a1|$$

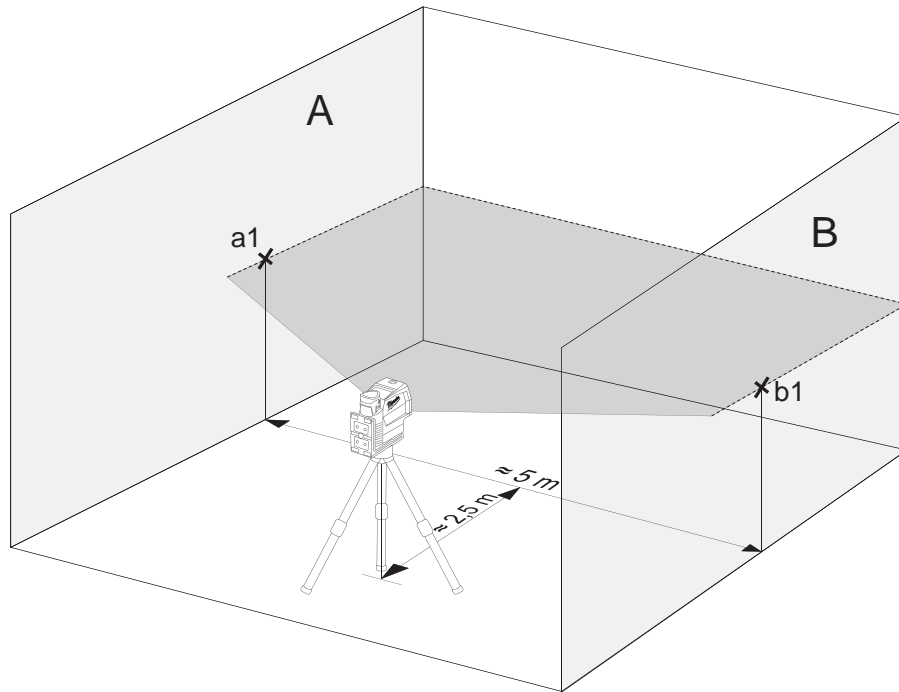
$$\Delta b = |b1 - b2|$$

10. A $|\Delta a - \Delta b|$ különbség nem lehet több 2 mm-nél.

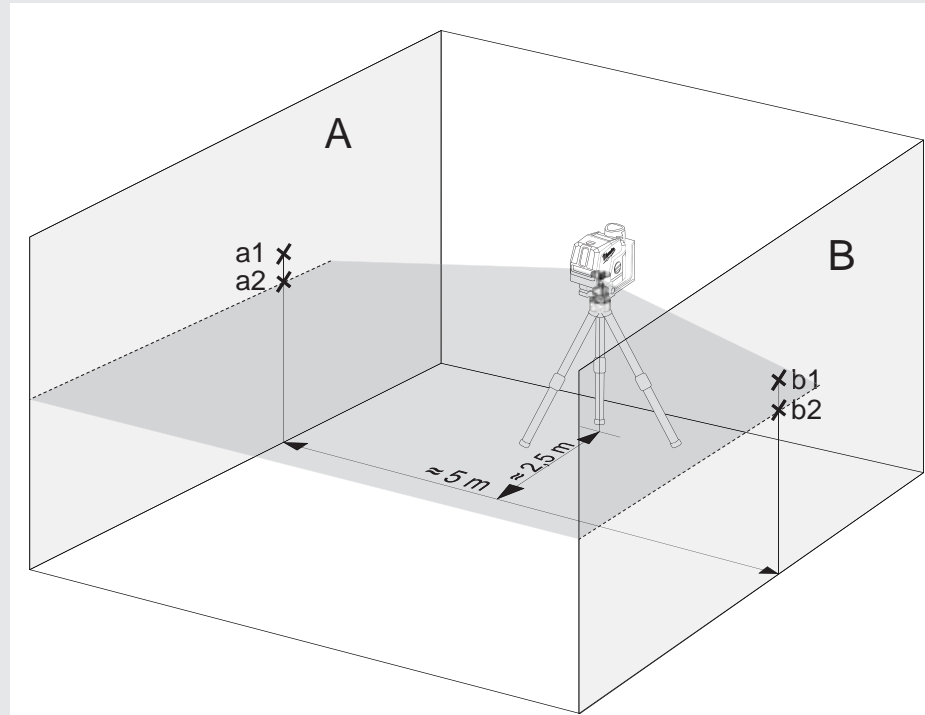
2 A VÍZSZINTES VONAL SZINTEZÉSI PONTOSSÁGÁNAK ELLENŐRZÉSE (AZ EGYIK OLDAL ELTÉRÉSE A MÁSIKHOZ KÉPEST)

Ehhez a vizsgálathoz kb. 5 x 5 m-es szabad felület szükséges.

1. Állítsa fel a lézert egy állványon vagy szilárd aljazaton két, egymástól kb. 5 m távolságban lévő A és B fal között.
2. A lézert a helyiség középpontjától kb. 2,5 m távolságban állítsa fel.
3. A vízszintes vonal A és B falra vetítéséhez kapcsolja be az önszintező üzemmódot és nyomja meg a gombot.
4. A lézervonal középpontját a1-gyel jelölje fel az A falra, b1-gyel pedig a B-re.



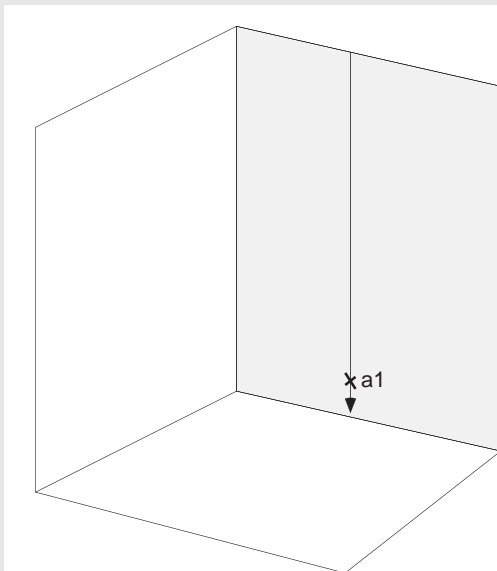
5. Helyezze át a lézert kb. 5 m-rel és forgassa el 180°-kal, majd vetítse a vízszintes vonalat újból az A és a B falra.
6. A lézervonal középpontját a2-vel jelölje fel az A falra, b2-vel pedig a B-re.



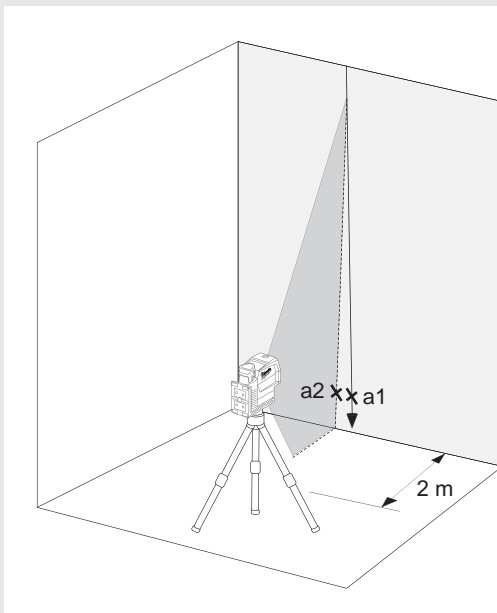
7. Mérje meg a következő távolságokat:
 $\Delta a = |a2 - a1|$
 $\Delta b = |b1 - b2|$
8. A $|\Delta a - \Delta b|$ különbség nem lehet több 2 mm-nél.

3 A FÜGGŐLEGES VONAL SZINTEZÉSI PONTOSSÁGÁNAK ELLENŐRZÉSE.

1. Egy falra akasszon fel egy kb. 4 m hosszú függőzsinórt.
2. Miután a függőn kilengése megszűnt, jelölje fel az a1 pontot az ólomkúp felett a falra.



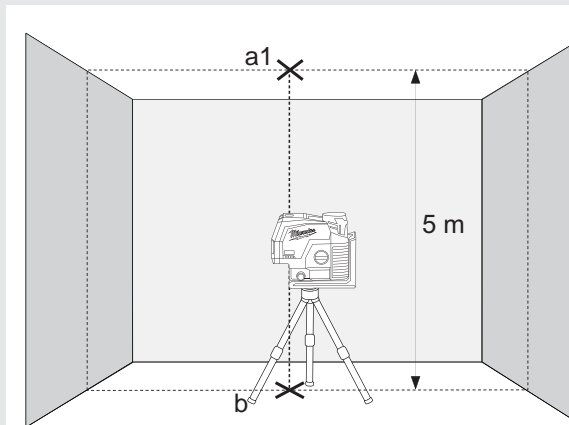
3. Állítsa fel a lézert egy állványon vagy sík aljzaton a faltól kb. 2 m távolságban.
4. A függőleges vonal függőzsinórra vetítéséhez kapcsolja be az önszintező üzemmódot és nyomja meg a gombot.
5. Forgassa a lézert úgy, hogy a függőleges vonal egyezzen a függőzsinórral.
6. Jelölje fel az a2 pontot a függőleges vonal közepére a falon lévő a1 ponttal azonos magasságban.
7. Az a1 és az a2 távolsága nem lehet nagyobb 1 mm-nél.



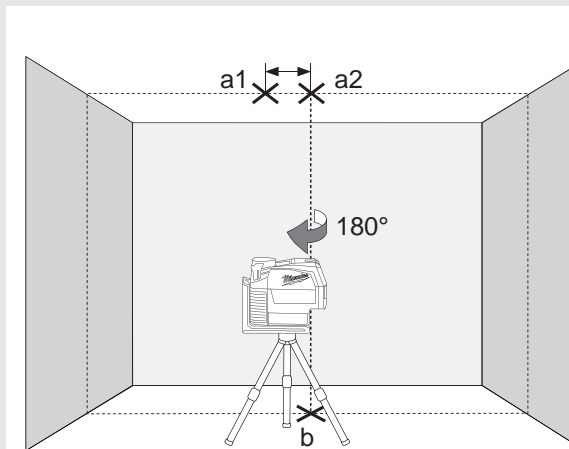
4 A FÜGGŐZÉSI PONTOSSÁG ELLENŐRZÉSE

Ehhez a vizsgálathoz egy kb. 5 m mennyezetmagasságú helyiség szükséges.

1. Állítsa be a keresztirányú lézert az állványra.
2. Kapcsolja be az önszintező üzemmódot és nyomja meg a nyomógombot a kövér funkcióra váltáshoz.
3. Jelölje meg a mennyezet felső pontját a1 pontként (lásd az ábrát).
4. Jelölje meg a padló alsó pontját b pontként.



5. Forgassa el a lézert 180°-kal és pozicionálja úgy, hogy a függőzsinórt középpontja a már feljelölt b pontra essen és várja meg, hogy a készülék elvégezze az önszintezést.
6. Jelölje meg a mennyezet felső pontját a1 pontként (lásd az ábrát).
7. A mennyezetre feljelölt a1 és a2 pont közötti távolság azt adja meg, hogy a lézervonal mennyivel tér el az ideális merőlegetől.
 $5 \text{ m} \times (\pm 0,6 \text{ mm/m}) \times 2 = \pm 6 \text{ mm}.$
8. Az a1 és az a2 távolsága nem lehet nagyobb 6 mm-nél.



VSEBINA

Pomembna varnostna navodila	205
Vzdrževanje	206
Tehnični podatki	206
Predvidena uporaba	206
Pregled	207
Oprema	208
Zamenjajte baterijo	208
Indikator zmogljivosti baterije	209
Indikator prazne baterije	209
Montaža na strop	209
Stenski nosilec & zelena ciljna plošča	210
Dela v načinu samodejnega niveliranja	211
Dela v ročnem načinu	212
Pokončna funkcija	213
Detektor	213
Preverjanje natančnosti	214

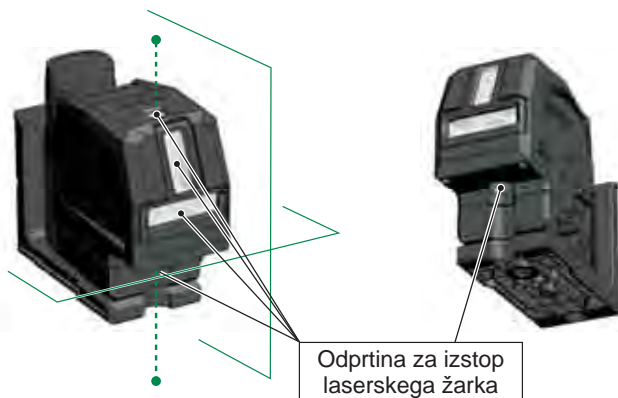
POMEMBNA VARNOSTNA NAVODILA



POZOR! OPOZORILO! NEVARNO!

Izdelka ne uporabljajte preden ne preučite varnostnih navodil in uporabniškega priročnika.

Klasifikacija laserja



OPOZORILO:

To je laserski proizvod razreda 2 v skladu s EN60825-1:2014 .



Opozorilo:

Oči ne izpostavljajte neposredno laserskemu žarku. Laserski žarek lahko povzroči zelo hude poškodbe oči in/ali oslepitev.

Ne gledajte neposredno v laserski žarek in žarka po nepotrebem ne usmerjajte na druge osebe.

Pozor! Pri nekaterih uporabah je lahko naprava, ki oddaja žarek izza vas. V tem primeru se previdno obrnite.

Opozorilo:

Laserja ne uporabljajte v prisotnosti otrok in le-tem ne dovolite upravljanja z laserjem.

Pozor! Odsevna površina lahko laserski žarek zrcali nazaj k upravljalcu ali v druge osebe.

Opozorilo: Uporaba krmilnih elementov, nastavitev ali izvedba drugačnih postopkov od določenih, ki so opisani v priročniku, lahko privede do nevarnih obremenitev z žarčenjem.

Če laser prenesete iz zelo mrzlega okolja v toplo okolje (ali obratno), mora pred uporabo doseči temperaturo okolice.

Laserja ne shranjujete na prostem ter ga zaščitite pred udarci, trajnimi vibracijami in ekstremnimi temperaturami.

Lasersko merilno napravo zaščitite pred prahom, mokroto in visoko zračno vlažnostjo. Le ti lahko uničijo notrenje komponente ali vplivajo na natančnost.

Če laserski žarek zaide v oko, zaprite očesa in glavo takoj obrnite stran od žarka.

Pazite, da laserski žarek namestite tako, da ne oslepite sebe ali drugih oseb.

Ne gledajte v laserski žarek s povečevalnimi napravami, kot so daljnogledi ali teleskopi. V nasprotnem primeru se poveča nevarnost težkih poškodb oči.

Upoštevajte, da očala za laser služijo boljši prepoznavnosti laserskih črt, vendar očes ne zaščitijo pred laserskim žarkom.

Opozorilnih nalepk na laserju ni dovoljeno odstraniti ali jih narediti neprepoznavne.

Laser ne razstavljajte. Laserski žarek lahko povzroči hude poškodbe oči.

Pred transportom laserja se prepričajte, da je aretirni mehanizem nihala pritrjen.

Opomba: Če aretirni mehanizem nihala ni pritrjen, se lahko med transportom pride do poškodb v notranjosti naprave.


Ne uporabljajte agresivnih čistilnih sredstev ali redčil. Čistite zgolj s čisto, mehko krpo.


Zaščitite laser pred močnimi udarci in padci. Po padcu ali močnih mehanskih učinkovanjih je treba pred uporabo preveriti natančnost naprave.

Potrebna popravila sme na laserski napravi izvajati zgolj strokovno osebje.

Izdelka ne uporabljajte v eksplozivnih nevarnih področjih ali v agresivnih okoljih.

Če naprave ne boste uporabljali dlje časa, je treba baterije vzeti iz predala za baterije. Tako preprečite iztekanje baterij in s tem povezane poškodbe zaradi korozije.

 Ploskih baterij ne smete zavreči skupaj z gospodinjskimi odpadki. Skrbite za okolje in izdelek odnesite na zbiralne točke, ki so na voljo v skladu z državnimi ali lokalnimi uredbami. Izdelka ne smete zavreči skupaj z gospodinjskimi odpadki. Izdelek primerno zavrzite, v skladu z veljavnimi državnimi uredbami vaše države. Upoštevajte nacionalne in državne predpise posamezne države. Za informacije glede odstranjevanja se obrnite na krajevni urad ali vašega trgovca.

 Evropska oznaka za združljivost

VZDRŽEVANJE

Objektiv in ohišje laserja očistite z mehko in čisto krpo. Ne uporabljajte topil!

Čeprav je laser do določene stopnje odporen na prah in umazanijo, ga ne shranjujte dolgoročno na prašnem mestu, ker se lahko sicer poškodujejo notranji premični deli.

Če se laser zmoči, se mora osušiti pred vstavitvijo v kovčku za prenašanje, da ne nastanejo škode zaradi rje.

TEHNIČNI PODATKI

Razred laserja	2
Območja samodejnega niveliranja	± 4°
Trajanje samodejnega niveliranja	3 s
Tip baterije	Li-Ion
Napetost enosmernega toka	12V ===
Vrsta zaščite (brizgana voda in prah)	IP54*
Najv. nadmorska višina	2000 m
Najv. zračna vlaga	80%
Stopnja umazanosti v skladu z IEC 61010-1	2**
Trajanje pulza t_p	≤ 80 μs
Funkcije	vodoravna črta, navpični črti, križne črte, pokončna funkcija (2 točki)
Frekvenca	10 kHz
Projekcije	2 zeleni črti, 2 točki zelene barve
Količina diode	2
Vrsta diode	30 mW
Vzorec izdaje laserske črte	Posamezne vodoravne, enojne navpične + dve sliki navzgor in navzdol, prečna črta + 2 pika (gor in dol).
Čas uporabe	15 ur z izmenljivim akumulatorjem M12 3.0 Ah
Navoj stativa	1/4" / 5/8"
Primeren detektor	Milwaukee LLD50

Laserska črta	Širina < 9,53mm @ 30m Dolžina vala 510 - 530 nm razred laserja II Maksimalna zmogljivost ≤ 7 mW Natančnost +/- 3 mm / 10 m Kot odpiranja navpični črti > 120°; vodoravna črta, > 114° Barva zelena Doseg 38 m (z detektorjem 50 m)
Navpična točka	Dolžina vala laserske točke 510 - 530 nm razred laserja II Najv. moč laserske točke < 1 mW Natančnost navpičnosti +/- 3 mm / 10 m Barva laserske točke zelena Doseg 30 m
Priporočena delovna temperatura	od -10 °C do +40 °C
Temperatura skladiščenja	od -20 °C do +50 °C
Priporočene vrste akumulatorskih baterij	M12 B..
Mere	170 mm x 82 mm x 148 mm
Teža (vključno z baterijami)	1205 g

* Razred zaščite IP54 ne velja za litij ionski akumulator in akumulatorski predal.

** Pojavi se samo neprevodna umazanija, pri čemer je občasno mogoče pričakovati začasno prevodnost zaradi kondenzacije.

PREDVIDENA UPORABA

"Izdelek je prednostno predviden za uporabo v notranjih prostorih. Pri uporabi na prostem je treba paziti, da okvirni pogoji ustrezajo pogojem v notranjih prostorih."

Ta inovativni laser je zasnovan za široko profesionalno področje uporabe, kot npr.:

- izravnavo ploščic, marmornih plošč, omar, bordur, obdelovancev in obrob
- Označite osnovne črte za vgradnjo vrat, oken, vodil, stopnic, ograj, vhodnih vrat, verand in pergol.
- Za določanje in preverjanje vodoravnih in navpičnih črt.
- Niveliranje visečih stropov in cevovodov, razdelitev oken in izravnavo cevi, niveliranje obodnih sten za električne inštalacije

Ta izdelek je dovoljeno uporabljati samo za predviden namen.

ostri točka

Okno navpične laserske črte

Okno, vodoravna laserska črta

Gumb za način

Kratek pritisk: Izberite med laserskimi črtami:

- vodoravno
- navpično + funkcija plumb
- prečne linije + funkcija plumb

Dolgo pritiskanje: preklopite običajni način / način varčevanja z energijo

LED zaslon zmogljivost baterije




20 ° mikro nastavitev (+/- 10 ° od središča)

ostri točka

Držalo za stativ 5/8 "

Držalo za stativ 1/4 "




LED zaslon laserske črte

-  horizontalno
-  navpično
-  premica

M12 Baterija

Označevanje vodoravnega laserskega žarka

Rotacijski gumb

-  OFF Izklopljeno / zaklenjeno
-  ON Vklp / ročni način
-  ON vklp / samonivelirni način

Magnetno držalo

Montaža na strop



OPREMA

Dodatki - niso vključeni v standardno opremo, na voljo kot dodatna oprema.

Terminal LM360



Detektor LLD50

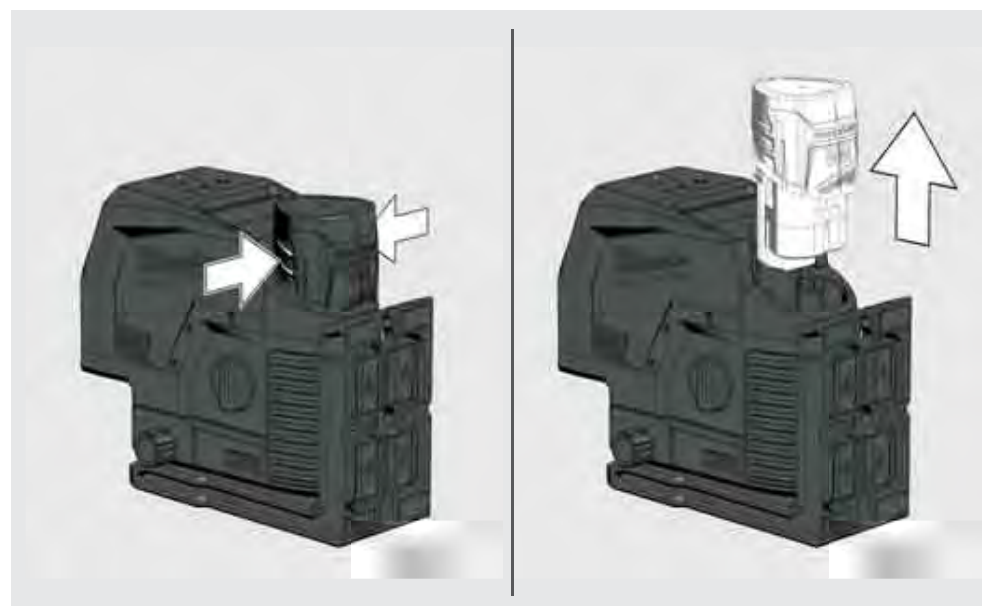
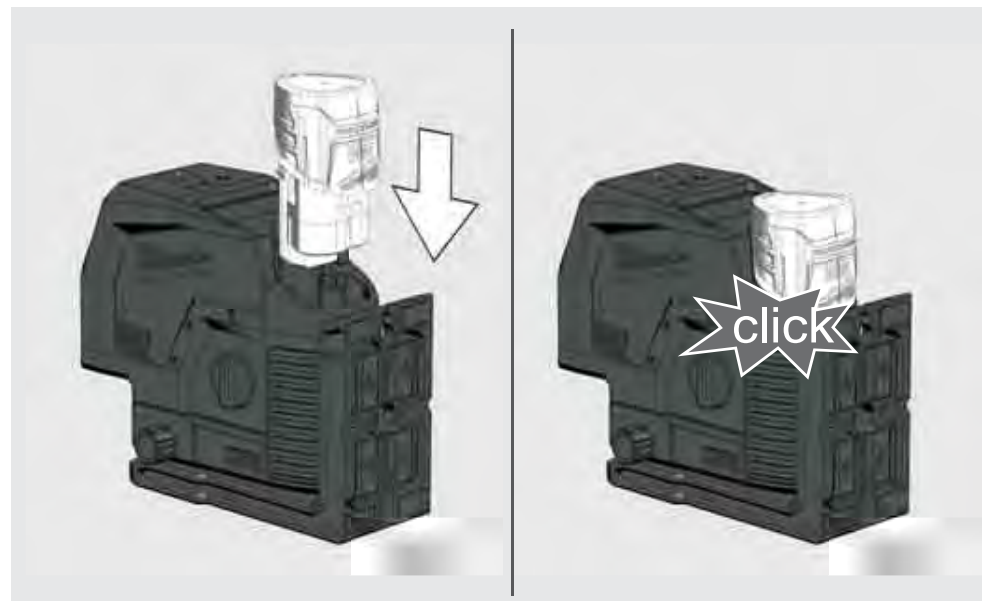


Stativ TRP180



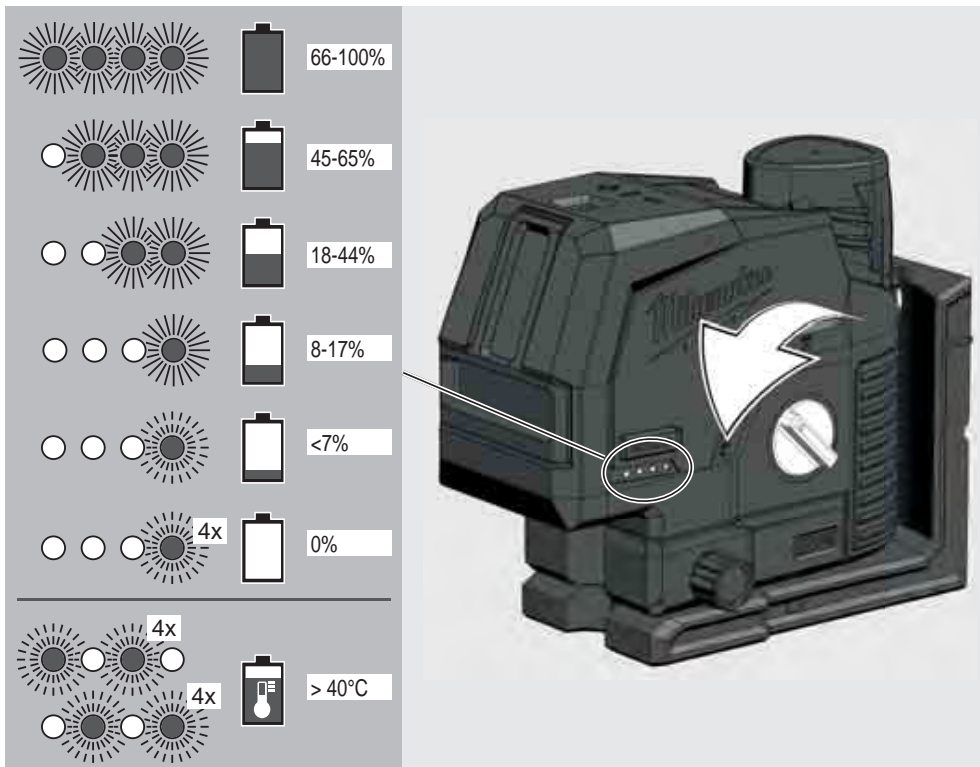
ZAMENJAJTE BATERIJO

Uporabljajte samo baterijo Milwaukee, ki jo je mogoče napolniti M12.



INDIKATOR ZMOGLJIVOSTI BATERIJE

Po vklopu ali izklopu laserja bo merilnik goriva prikazal življenjsko dobo baterije.



INDIKATOR PRAZNE BATERIJE

Ko je napetost nizka, laser preide v način varčevanja z energijo.

Laser utripa v samonivelirnem načinu



Laser utripa v ročnem načinu



8 sek. 1 sek.

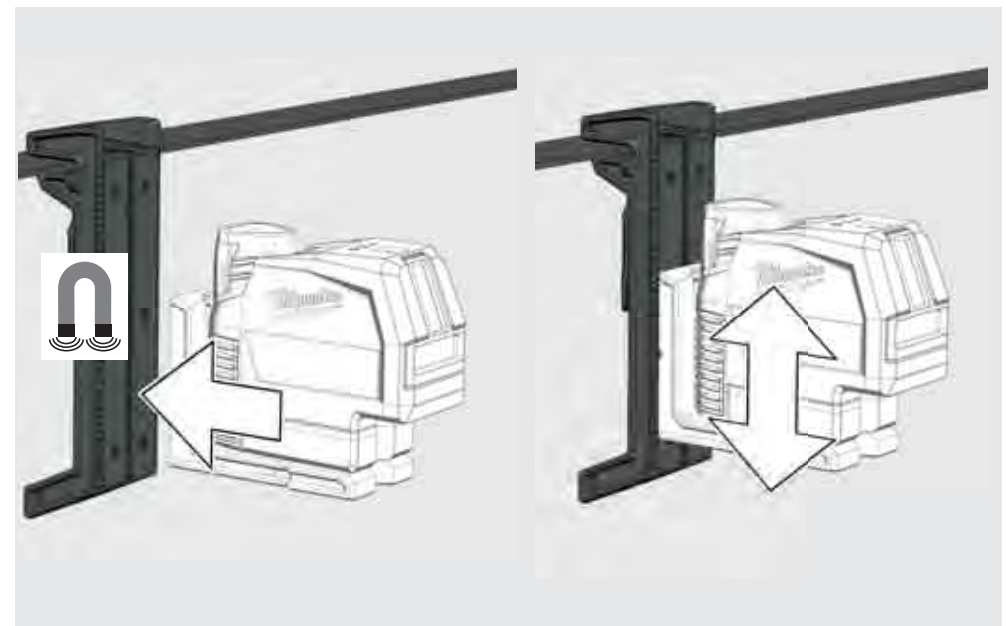
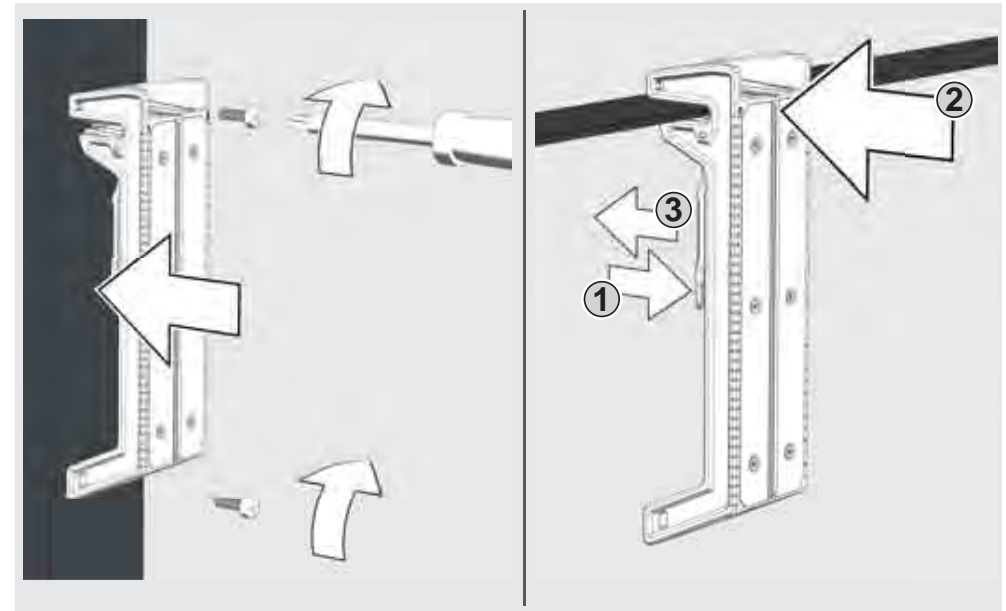
Od zdaj je delo še mogoče nadaljevati.

Ko je napetost nizka, laser in LED utripata 4-krat, ta pa se samodejno izklopi.

MONTAŽA NA STROP

Posnetek z vijaki pritrdite na steber.

S pritrditvijo na strop pritrdite laser na stropne kanale, stojala ...

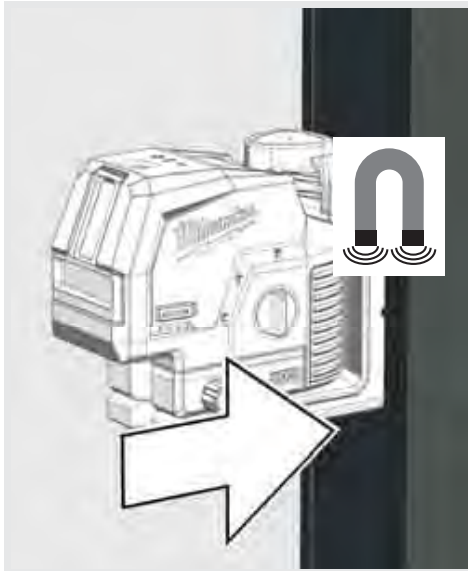


STENSKI NOSILEC & ZELENA CILJNA PLOŠČA

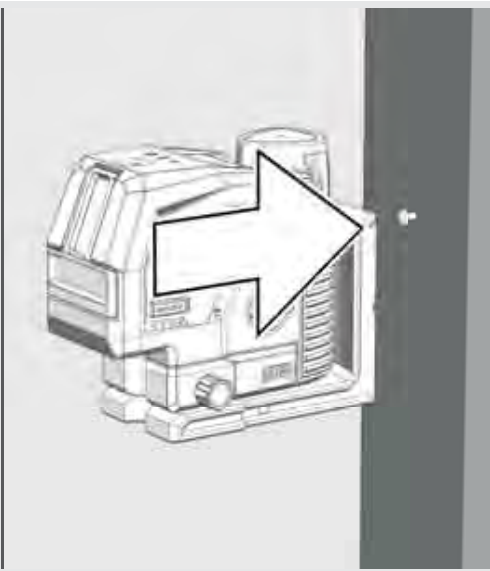
Z magnetnim stenskim držalom lahko laser pritrdite na steno, kovinske strukture ali podobno.

Ali pritrdite z vijakom ali nohtom na stebru.

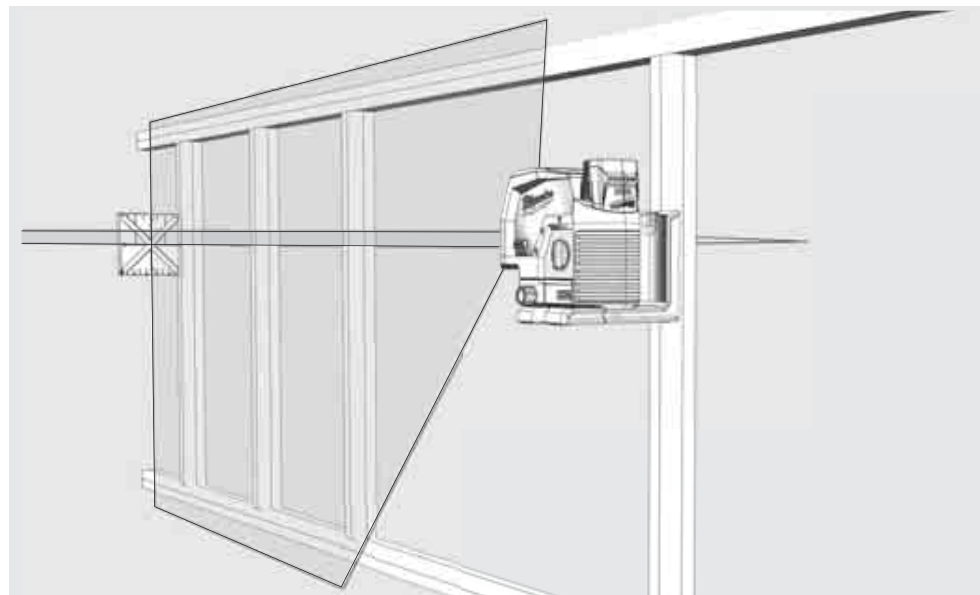
Z zeleno ciljno ploščo izboljšajte vidljivost laserskega žarka v neugodnih pogojih in na večjih razdaljah.



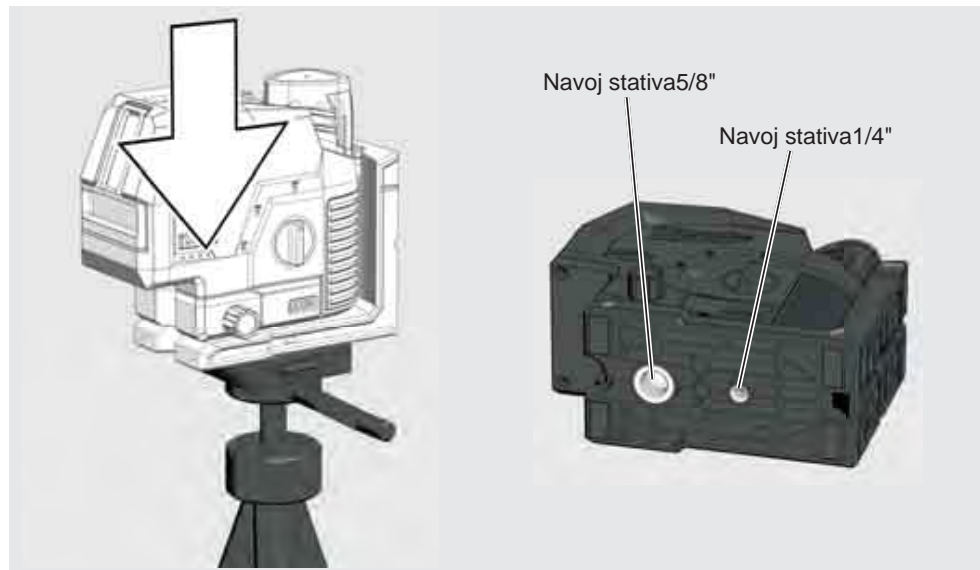
Laser zavrtite za 360 °.



Uporabite gumb za nastavev za 20 ° mikrostopenjsko vrtenje



Uporabite držalo za stativ, da laser pritrdite na stativ.

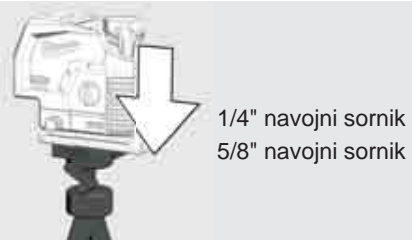


DELA V NAČINU SAMODEJNEGA NIVELIRANJA

V načinu samodejnega niveliranja se laser v območju ± 3 izravna samodejno. V ta namen se istočasno projicirajo vodoravna črta, navpična črta ali obe črti.


1

Laser postavite na trdo, ravno podlago brez tresljajev ali ga namestite na stativ.



1/4" navojni sornik
5/8" navojni sornik

2

Zasukajte vrtljivo stikalo na: 

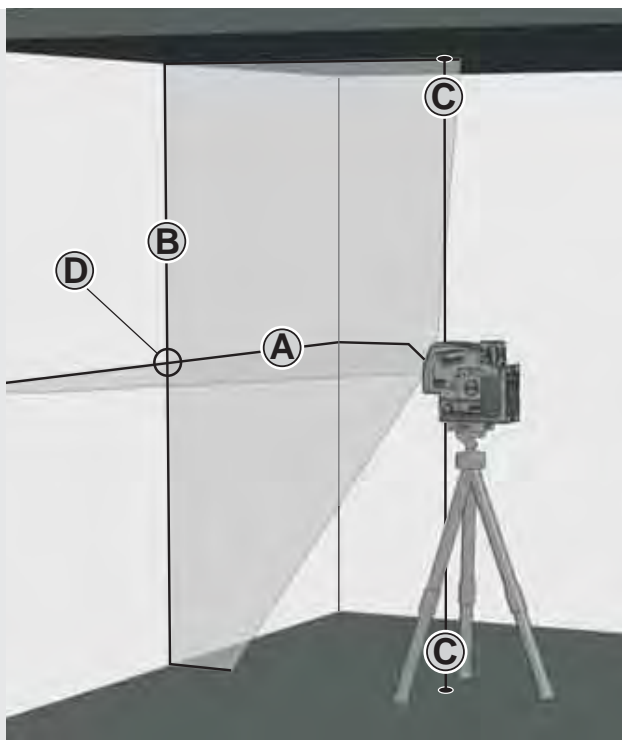


3

Laser ustvari 2 laserski črti.

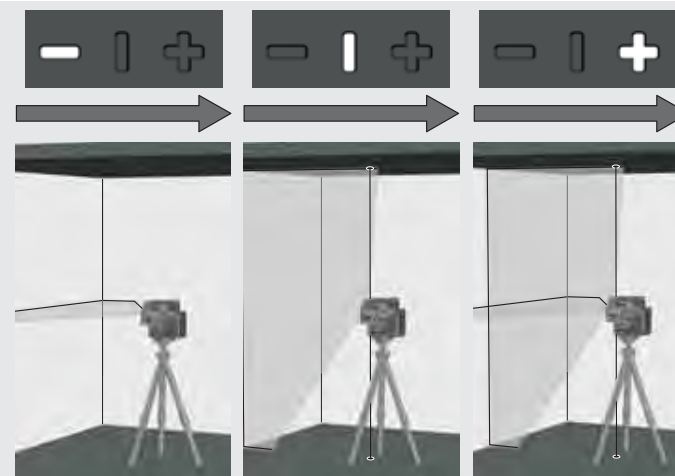
- (A) Vodoravna črta naprej
- (B) Navpična črta naprej
- (C) Laserska točka

(D) Ko so aktivirane vse črte, laser ustvarja križne črte naprej.



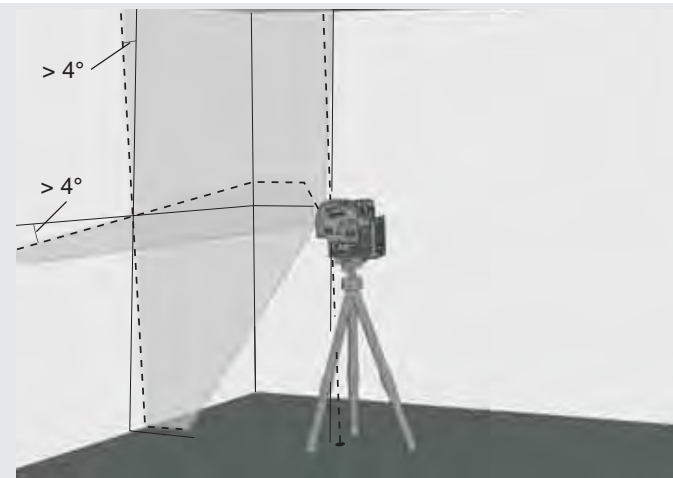
4

S tipko izberite zelene črte.




5

Če laser pri aktiviranem samodejnem niveliranju na začetku ni izravnana na $\pm 4^\circ$, laserske črte utripajo. - - - - . V tem primeru laser ponovno namestite v določen položaj.



6

Pred premikanjem laserja obrnite vrtljivo stikalo na  . S tem se nihalo aretira in laser zaščiti.



DELA V ROČNEM NAČINU


V ročnem načinu je samodejno niveliranje deaktivirano in laser lahko nastavite na vsak poljuben nagib laserskih črt.

1

Laser postavite na trdo, ravno podlago brez tresljajev ali ga namestite na stativ.



2

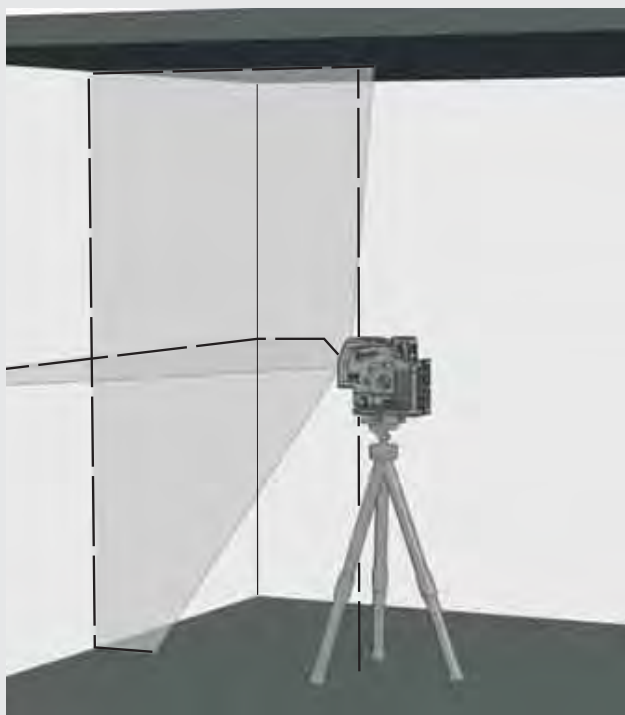
Zasukajte vrtljivo stikalo na: **ON** .



3

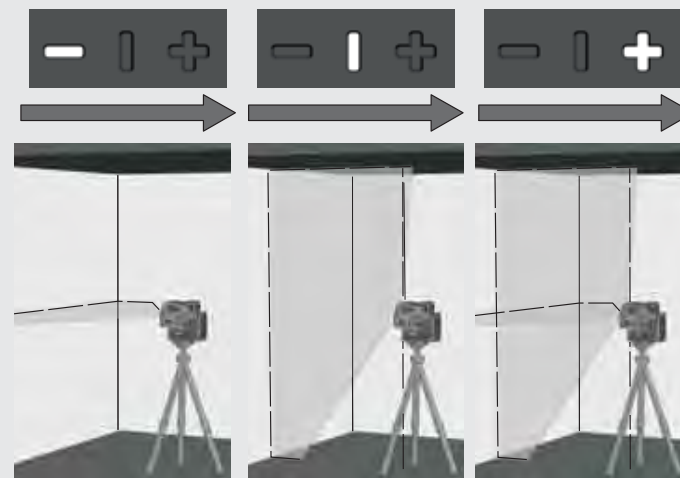
Laser enako kot v načinu samodejnega niveliranja ustvari 2 laserski črti, ki pa se vsake 8 sekunde prekinejo.

8 s 8 s 8 s



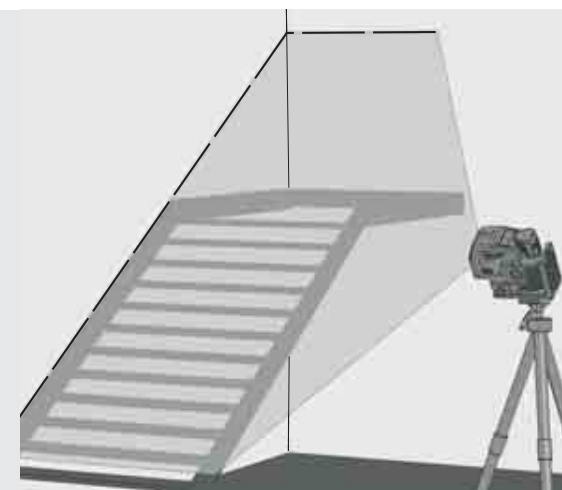
4

S tipko izberite želene črte.




5


Laser s stativom nastavite na želeno višino in nagib.



6

Za izhod iz ročnega načina

Zasukajte vrtljivo stikalo na: **ON** 
ali

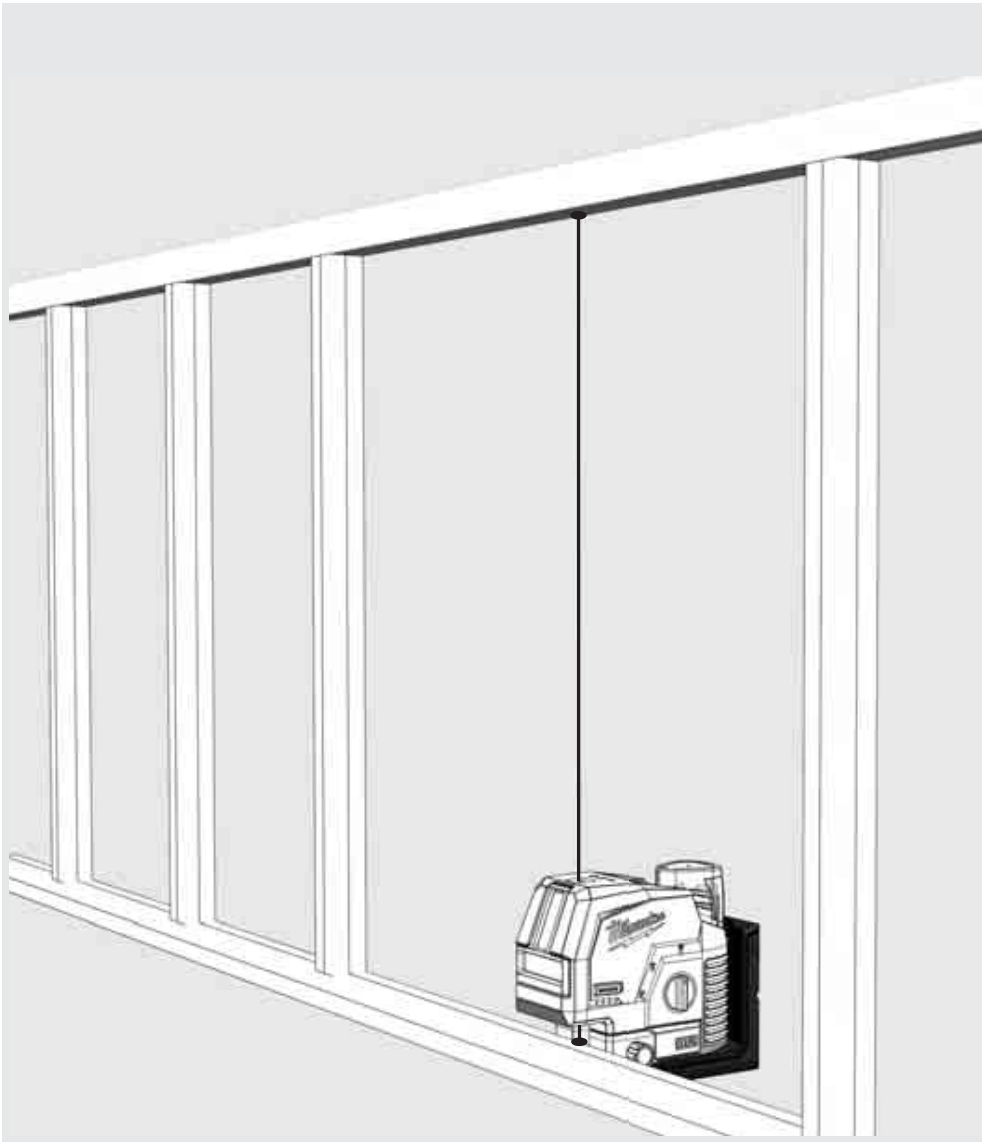
zasukajte vrtljivo stikalo na: **OFF** .



POKONČNA FUNKCIJA

S pokončno funkcijo je mogoče točko na tleh projicirati navpično na strop.

Pokončna funkcija se uporablja na primer za prenos referenčne točke za namestitev osvetlitve in prezračevanja ali prenos višin.

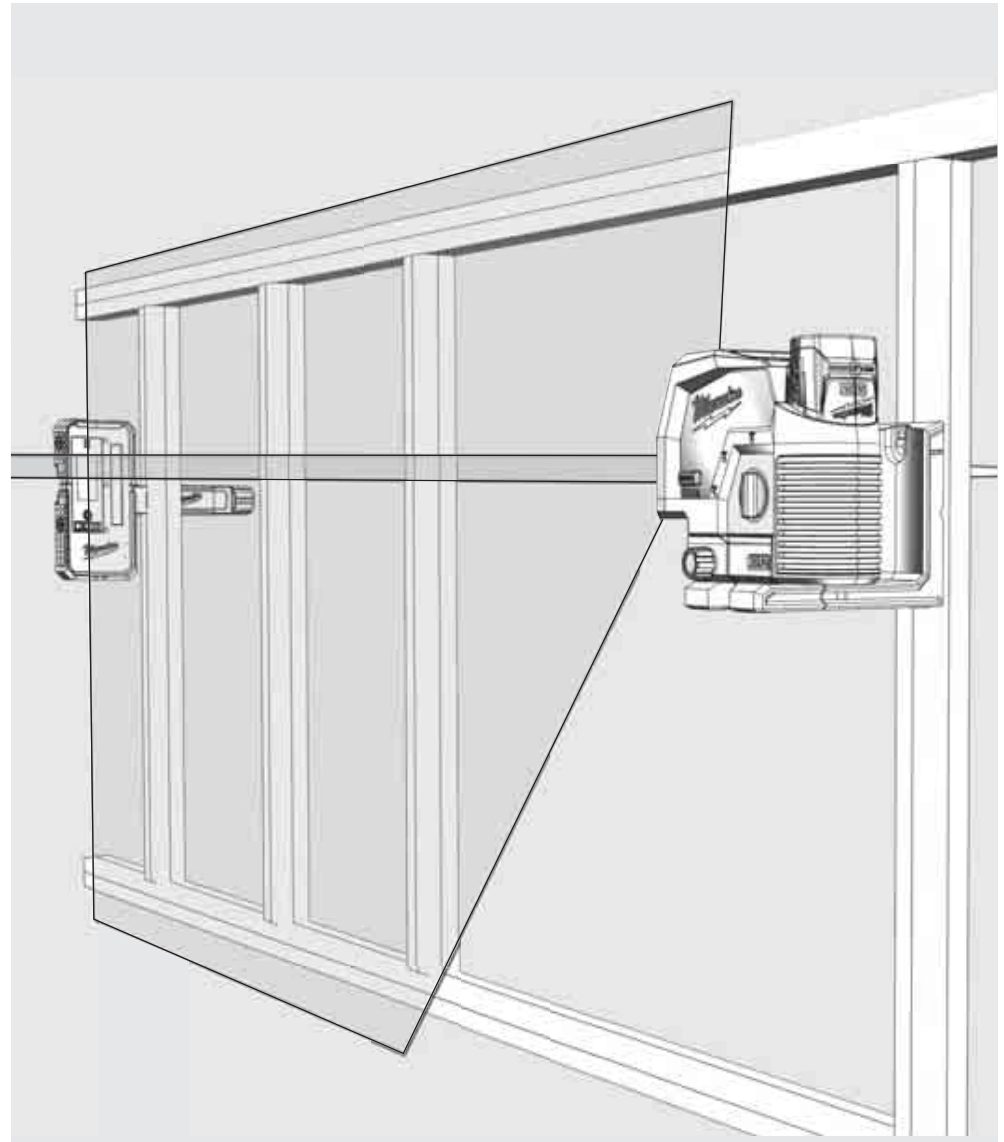


DETEKTOR

Za delo na prostem pod direktno sončno svetlobo ali svetlimi pogoji in za daljši doomet do 50 metrov uporabite Milwaukee detektor.

Detektor ni priložen in ga je treba pridobiti ločeno.

Izčrpne informacije o uporabi detektorja najdete v navodilih za uporabo detektorja.



Laser se tovarniško popolnoma umeri. Milwaukee priporoča, da redno preverjate natančnost laserja, predvsem po padcu ali zaradi nepravilne uporabe.

Če je največje odstopanje pri preverjanju natančnosti prekoračeno, se obrnite na enega od naših servisnih centrov Milwaukee (glejte seznam z garancijskimi pogoji in naslovi servisnih centrov).

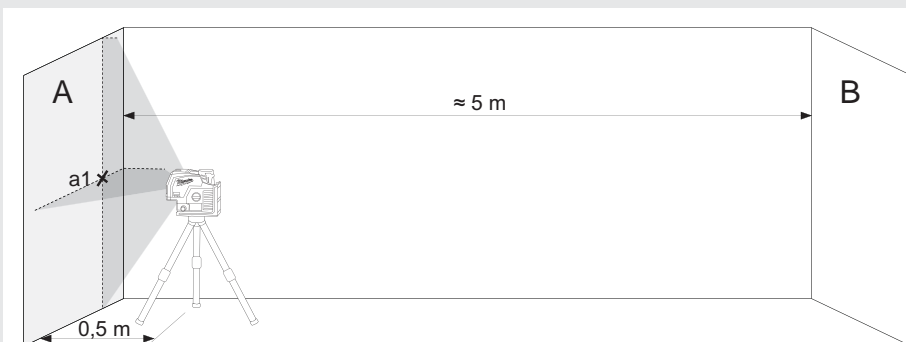
1. Preverite natančnost višine vodoravne črte.
2. Preverite natančnost niveliranja vodoravne črte.
3. Preverite natančnost niveliranja navpične črte.
4. Preverite natančnost navpičnosti.

Pred preverjanjem natančnosti laserja, nameščenega na stativu, preverite niveliranje stativa.

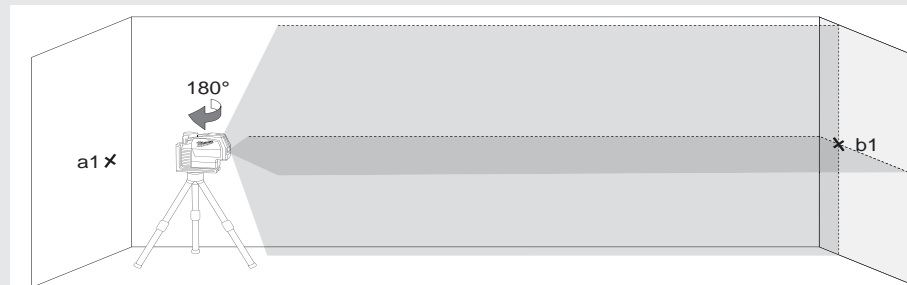


1 PREVERJANJE NATANČNOSTI VIŠINE VODORAVNE ČRTE (ODSTOPANJE NAVZGOR IN NAVZDOL)

1. Postavite laser na stativ ali na ravno podlago med dvema pribl. 5 m oddaljenima stenama A in B.
2. Laser namestite pribl. 0,5 m stran od stene A.
3. Vklopite način samodejnega niveliranja in pritisnite tipko, da vodoravno in navpično črto projicirate na steno A.
4. Presečišče obeh točk označite kot točko a1 na steni A.



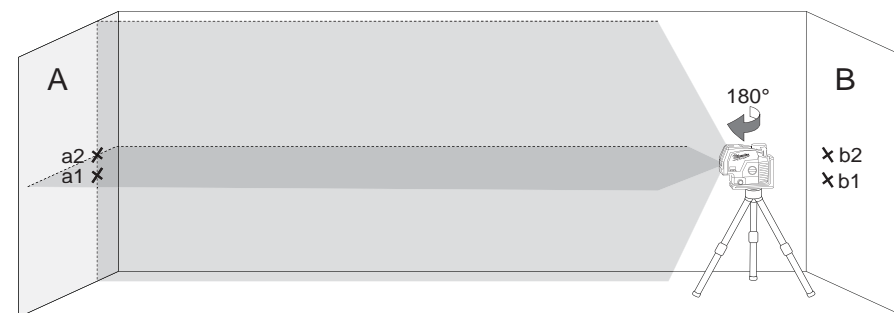
5. Laser obrnite za 180° v smer stene B in presečišče obeh črt označite kot b1 na steni B.



6. Laser namestite pribl. 0,5 m stran od stene B.
7. Presečišče obeh točk označite kot b2 na steni B.



8. Laser obrnite za 180° v smer stene A in presečišče obeh črt označite kot a2 na steni A

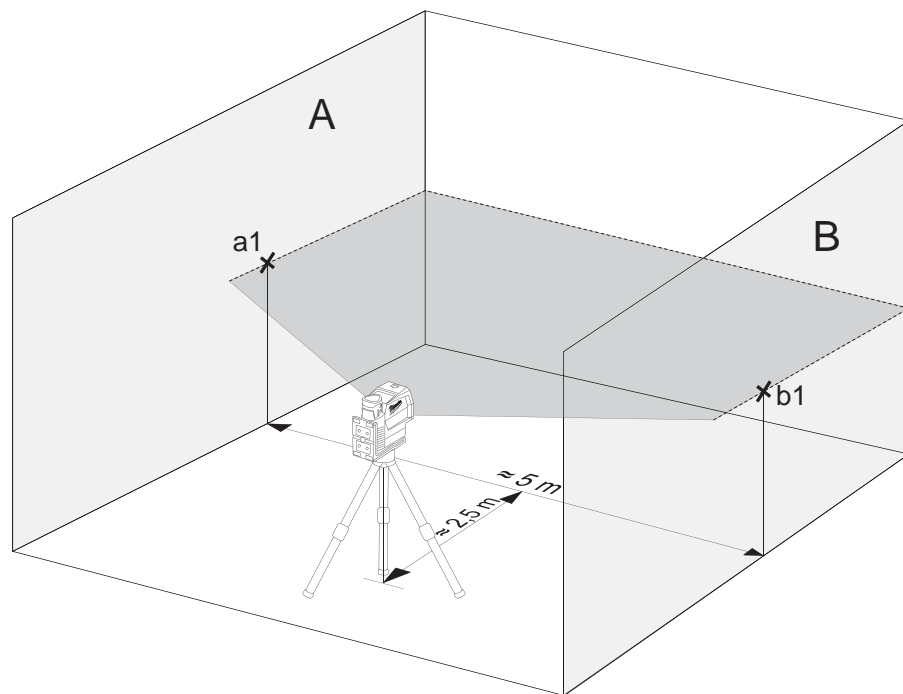


9. Izmerite razmike: $\Delta a = |a2 - a1|$
 $\Delta b = |b1 - b2|$
10. Razlika $|\Delta a - \Delta b|$ ne sme biti večja od 2 mm.

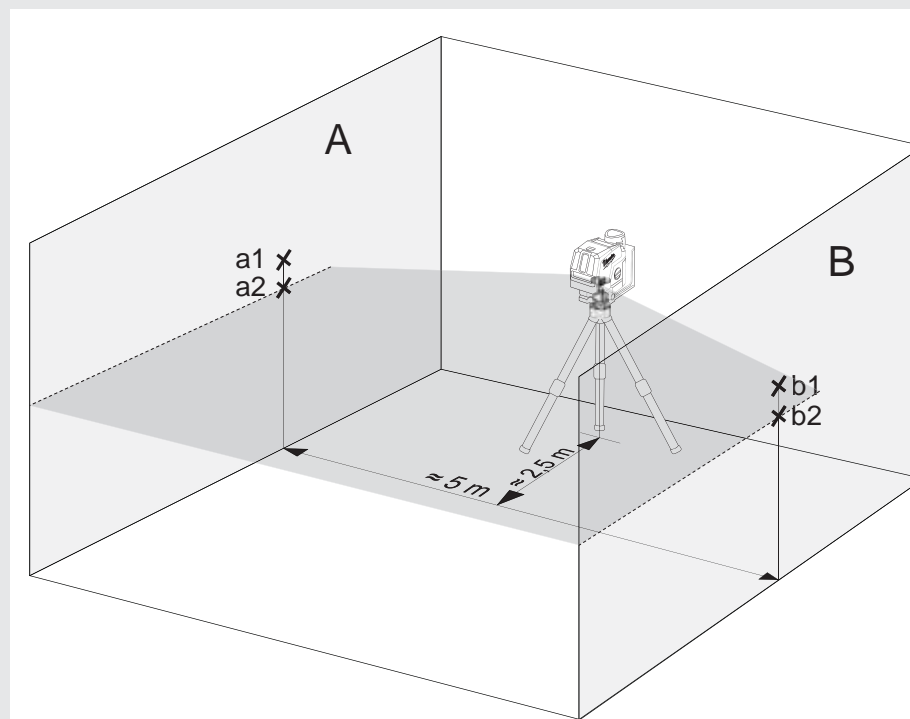
2 PREVERJANJE NATANČNOSTI NIVELIRANJA VODORAVNE ČRTE. (ODSTOPANJE OD ENE STRANI PROTI DRUGI)

Za preverjanje je potrebna prosta površina pribl. 5×5 m.

1. Postavite laser na stativ ali na trdno podlago med dvema pribl. 5 m oddaljenima stenama A in B.
2. Laser postavite pribl. 2,5 m stran od sredine prostora.
3. Vključite način samodejnega niveliranja in pritisnite tipko, da vodoravno črto projicirate na stene A in B.
4. Sredinsko točko laserske črte na steni A označite z a1 in steni B z b1.



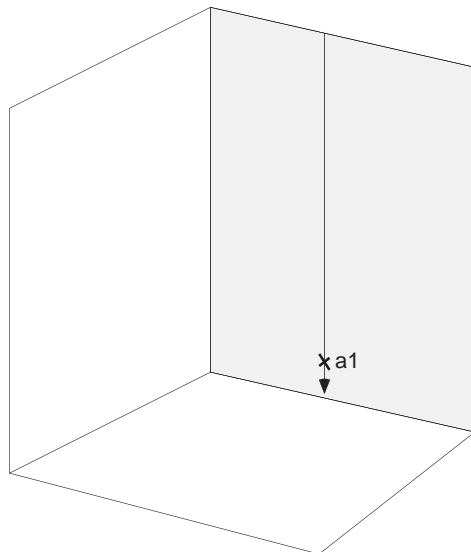
5. Prestavite laser za pribl. 5 m in ga obrnite za 180° ter vodoravno črto ponovno projicirajte na stene A in B.
6. Sredinsko točko laserske črte na steni A označite z a2 in steni B z b2.



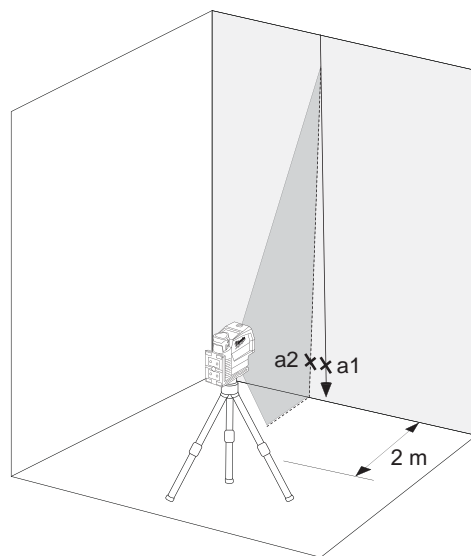
7. Izmerite razmike: $\Delta a = |a2 - a1|$
 $\Delta b = |b1 - b2|$
8. Razlika $|\Delta a - \Delta b|$ ne sme biti večja od 2 mm.

3 PREVERJANJE NATANČNOSTI NIVELIRANJA NAVPIČNE ČRTE

1. Na steno obesite grezilo z pribl. 4 m dolgo vrvico.
2. Ko se utež, viseča na vrvici, umiri, označite točko a1 nad utežo na steni.



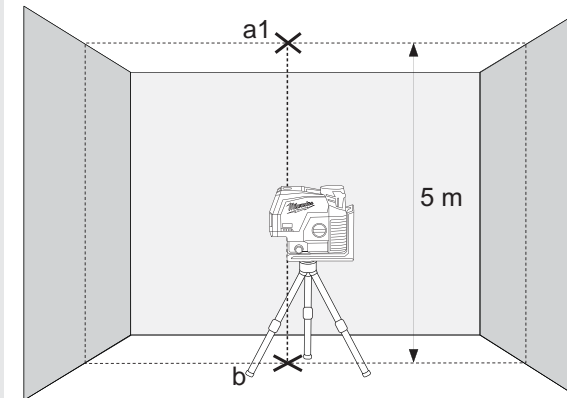
3. Postavite laser na stativ ali na ravno podlago pribl. 2 m stran od stene.
4. Vključite način samodejnega niveliranja in pritisnite tipko, da navpično črto projicirate na vrvico grezila.
5. Laser obrnite tako, da se navpična črta ujema z vpetjem vrvice grezila.
6. Označite točko a2 na sredini navpične črte na isti višini kot a1 na steni.
7. Razdalja med a1 in a2 ne sme biti večja od 1 mm.



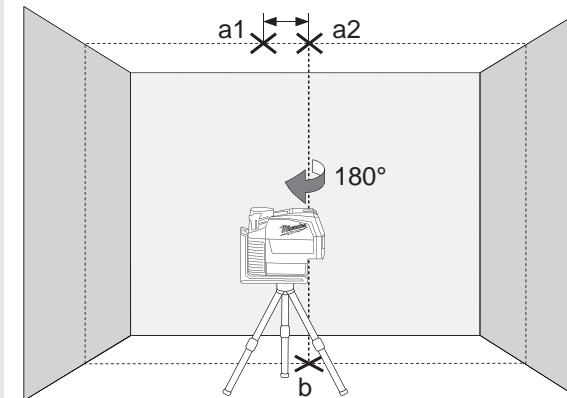
4 PREVERJANJE NATANČNOSTI NAVPIČNOSTI

Za to preverjanje je potreben prostor z višino stropa pribl. 5 m.

1. Križni laser nastavite na stativ.
2. Vključite samonivelirni način in pritisnite gumb, da preklopite na debelo funkcijo.
3. Zgornjo pikico na stropu označite kot točko a1 (glejte sliko).
4. Spodnjo piko označite na tleh kot točko b.



5. Obrnite laser za 180° in ga namestite tako, da sredinska točka navpične točke pade na že označeno točko b in počakajte, da se naprava izravna.
6. Zgornjo pikico na stropu označite kot točko a1 (glejte sliko).
7. Razdalja med točkama a1 in a2 na stropu navede, kako močno laserska črta odstopa od idealne navpičnosti. Pri merilni dolžini 5 m največje dovoljene odstopanje znaša: $5 \text{ m} \times (\pm 0,6 \text{ mm/m}) \times 2 = \pm 6 \text{ mm}$.
8. Razdalja med a1 in a2 ne sme biti večja od 6 mm.



SADRŽAJ

Važne upute o sigurnosti	217
Održavanje	218
Tehnički podaci	218
Pravilna primjena	218
Pregled	219
Oprema	220
Promijenite bateriju	220
Indikator kapaciteta baterije	221
Indikator slabe baterije	221
Montaža na strop	221
Zidna i zelena ciljna ploča	222
Rad u samonivelirajućem modusu	223
Rad u ručnom modusu	224
Funkcija okomice	225
Detektor	225
Provjera točnosti	226

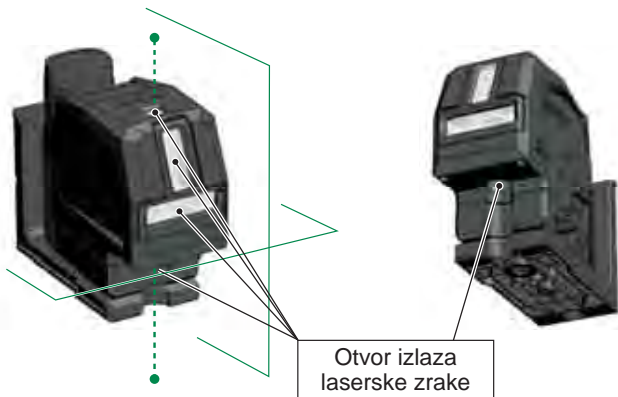
VAŽNE UPUTE O SIGURNOSTI



PAŽNJA! UPOZORENIE! OPASNOST!

Ne koristite proizvod prije nego što proučite upute o sigurnosti te korisnički priručnik.

Klasifikacija lasera



UPOZORENJE:

Ovo je laserski proizvod klase 2 u skladu s EN60825-1:2014 .



Upozorenje:

Oči ne direktno izlagati laserskim zrakama. Laserske zrake mogu prouzročiti teška oštećenja očiju i/ili osljepljenje.

Ne direktno gledati u lasersku zraku i zraku ne nepotrebno usmjeravati na druge osobe.

Oprez! Kod ponekih primjena se aparat koji emitira laser može nalaziti iza Vas. U tome slučaju se oprezno okrenite.

Upozorenje:

Ne koristite laser u blizini djece i ne dopuštajte djeci da koriste laser.

Pažnja! Jedna reflektirajuća površina bi lasersku zraku mogla reflektirati nazad na poslužioaca i druge osobe.

Upozorenje: Uporaba upravljačkih elemenata, namještanja ili izvođenje drugih postupaka od onih koji su utvrđeni u priručniku mogu dovesti do opasnih opterećenja zračenjem.

Kada se laser prenese iz jedne hladne sredine u jednu toplu sredinu (ili obrnuto), mora se prije uporabe postići temperatura okoline.

Laser ne koristiti na vanjskom području i štiti ga od udaraca, trajnih vibracija i ekstremnih temperatura.

Laserski mjerni instrument štiti od prašine, vlage i visoke vlage zraka. To može uništiti unutarnje elemente i utjecati na točnost.

Ako laserski zrak pogodi oko, oči zatvoriti a glavu odmah okrenuti od pravca zraka.

Pazite na to da se laserski zrak pozicionira tako, da Vie osobno ili druge osobe njime ne budu zablještene.

U lasersku zraku ne gledati s optičkim povećalima kao što su dalekozori ili teleskopi. Time se povećava opasnost od teških oštećenja očiju.

Imajte na umu, da naočale za lasere služe za bolje prepoznavanje laserske linije, ali ne štite oči od laserskog zračenja.

Pločice upozorenja na laserskom aparatu se ne smije odstraniti ili učiniti nečitkima.

Laser ne rastavljati. Lasersko zračenje može prouzročiti teške ozljede očiju.

Prije transporta lasera uvjeriti se, da je klatno aretiranje uskočeno.

Napomena: Kod neuskočenog klatnog aretiranja može za vrijeme transporta doći do oštećenja u unutarnjosti aparata.


Nemojte koristiti nikakva agresivna sredstva za čišćenje ili otapala. Čistiti samo jedno čistom mekom krpom.

Laser čuvati protiv jakih udaraca i padova. Nakon jednog pada ili jakog mehaničkog djelovanja se mora prije uporabe provjeriti točnost aparata.


Potrebne popravke na ovom laserskom uređaju smije izvoditi samo autorizirano stručno osoblje.

Proizvodom ne upravljajte u područjima u kojima postoji opasnost od eksplozije ili u agresivnim okolinama.

Prije duže neuporabe aparata izvaditi baterije iz baterijskog pretinca. Tako se izbjegava curenje iz baterija a tako i time povezana korozivna oštećenja.

 Prazne baterije se ne smiju odstraniti skupa sa kućnim smećem. Rabljene baterije dati na zbrinjavanje odgovarajuće okolici prema nacionalnim ili lokalnim propisima na predviđena mjesta skupljanja. Aparat se ne smije zbrinuti sa kućnim smećem. Aparat zbrinuti na stručan način.

Poštivati propise zbrinjavanja specifične za dotičnu državu. Obratite se mjesnim vlastims ili trgovcu u svezi informacija o zbrinjavanju.

 Europski znak suglasnosti

ODRŽAVANJE

Objektiv i kućište lasera čistiti jednom mekom i čistom krpom. Ne koristiti nikakva otapala.

Iako je laser do jednog određenog stupnja otporan na prašinu i prljavštinu, ovaj se ne smije čuvati duže vremena na nekom prašnjavom mjestu, jer bi inače time unutarnji pokretni dijelovi mogli biti oštećeni.

Postane li laser mokar, mora se prije uporabe osušiti u kovčegu za nošenje, kako ne bi nastale štete korozijom.

TEHNIČKI PODACI

Klasa lasera	2
Područje samoniveliranja	± 4°
Trajanje samoniveliranja	3 s
Tip baterije	Li-Ion
Napon DC	12V ---
Vrsta zaštite (štrcajuća voda i prašina)	IP54*
Max. visinski položaj	2000 m
Relativna maksimalna vlaga zraka	80%
Stupanj onečišćenja po IEC 61010-1	2**
Trajanje impulsa t_p	≤ 80 μs
Funkcije	vodoravna linija, okomite linije, križna linije, funkcija okomice (2 boda)
Frekvencija	10 kHz
Projekcije	2 zelene linije, 2 boda zelena
Količina diode	2
Diodni tip	30 mW
Izlazni uzorak laserske linije	Pojedinačne vodoravne, jednostruke okomite + 2 točkice gore i dolje, poprečna linija + 2 točkice (gore i dolje).
Vrijeme rada	15 satisa baterijom za zamjenu M12 3.0 Ah
Navoj stalka	1/4" / 5/8"
Prikladni detektor	Milwaukee LLD50

Laserska linija	Širina < 9,53mm @ 30m Dužina vala 510 - 530 nm laserska klasa II Maksimalna snaga ≤ 7 mW Točnost +/- 3 mm / 10 m Kut otvora okomite linije > 120°; vodoravna linija > 114° Boja zelena Doseg 38 m (s detektorom 50 m)
Točka okomice	Dužina vala laserske točke 510 - 530 nm laserska klasa II Max.snaga laserske točke < 1 mW Točnost okomice +/- 3 mm / 10 m Boja laserske točke zelena Doseg 30 m
Preporučena radna temperatura	-10 °C do +40 °C
Temperatura skladištenja	-20 °C do +50 °C
Preporučeni tipovi akumulatora	M12 B...
Mjere	170 mm x 82 mm x 148 mm
Težina (sa baterijama)	1205 g

* Litijev-ionski akumulator i pretinac akumulatora su isključeni sa IP54.

** Nastupa samo nevodljivo onečišćenje, kod čega se očekuje po mogućnosti jedna privremena vodljivost prouzročena orošenjem.

PRAVILNA PRIMJENA

Proizvod je određen uglavnom za primjenu u unutarnjim prostorijama. Kod primjene na vanjskom prostoru se mora paziti na to, da okviri uvjeti odgovaraju onima u unutarnjoj prostoriji.

Ovaj inovativni laser je izrađen za jedno široko profesionalno područje primjene kao npr.:

- Uravnavanje pločica, mramorskih ploča, ormara, bordura, fazonskih dijelova i rubova
- Markiranje osnovnih linija za ugradnju vrata, prozora, šina, stepenica, ograda, kapija, veranda i pergola.
- Za određivanja i provjeru vodoravnih i okomitih linija.
- Niveliranje skinutih stropova i cjevovoda, raspored prozora i usmjeravanje cijevi, niveliranje vanjskih zidova za elektroinstalacije

Ovaj proizvod se smije koristiti samo u određene svrhe, kao što je navedeno.

Bodljikava točka

Prozor vertikalne linije lasera

Prozor vodoravna laserska linija

Gumb za način rada

Kratki pritisak: Odaberite između laserskih vodova:

- vodoravno
- vertikalno + funkcija obruča
- poprečne linije + funkcija šljiva

Dugo pritisnite: prebacite normalan način rada / uštedu energije

LED prikaz kapacitet baterije

20 ° mikro podešavanje (+/- 10 ° od centra)

Bodljikava točka

Nosač stativa 5/8 "

Nosač stativa 1/4 "

Laserski vod LED zaslona

- horizontalno
- | okomito
- + poprečna linija

M12 Pakovanje baterija

Označavanje za horizontalne laserske zrake

Rotacijski gumb

- OFF Isključeno / zaključano
- ON Uključeno / ručni način rada
- ON uključen / samonivelirajući način

Magnetski držač

Montaža na strop



OPREMA

Pribor - nije uključen u standardnu opremu, dostupan je kao dodatak.

Terminal LM360



Detektor LLD50

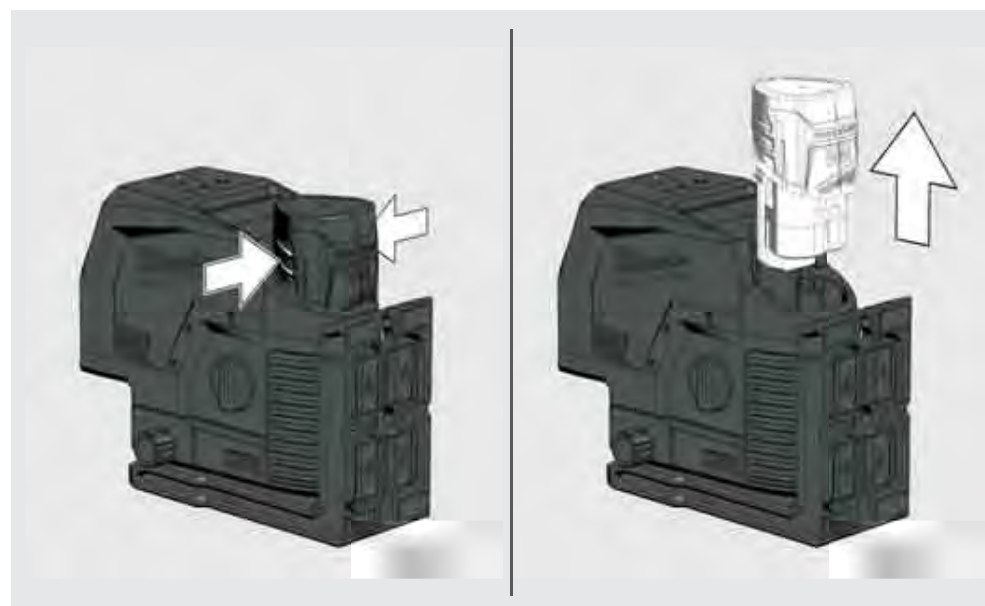
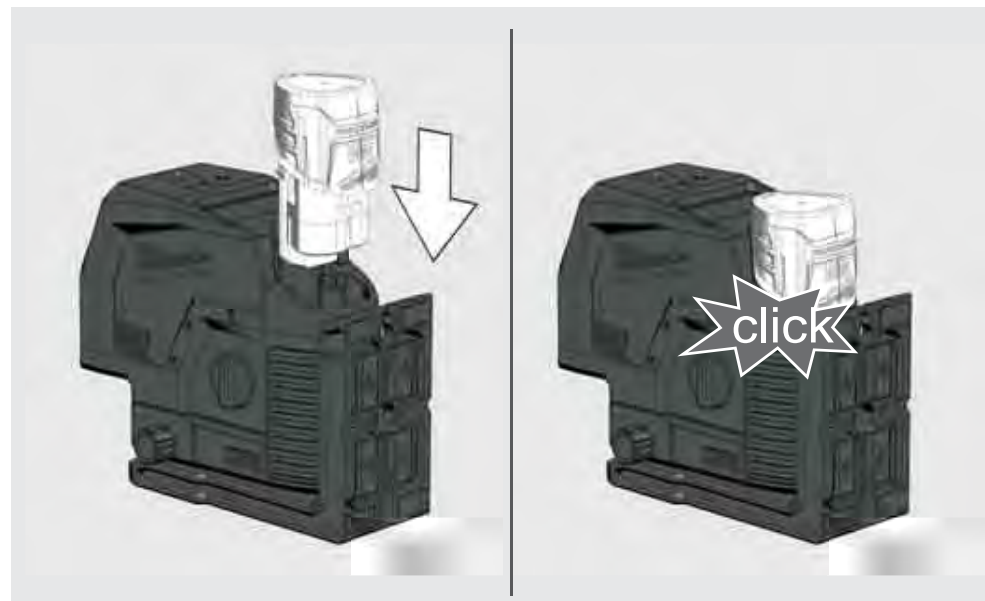


Stativ TRP180



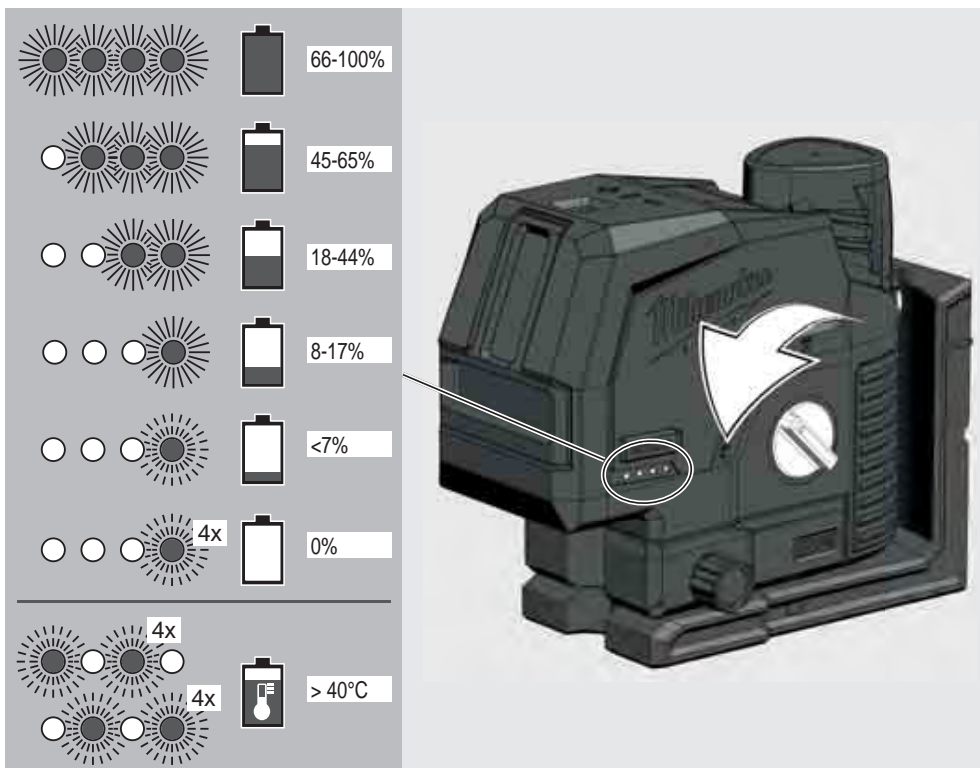
PROMIJENITE BATERIJU

Koristite samo punjivu Milwaukee bateriju koja se može puniti M12.



INDIKATOR KAPACITETA BATERIJE

Nakon uključivanja ili isključivanja lasera mjerač goriva prikazat će vijek trajanja baterije.



INDIKATOR SLABE BATERIJE

Kad je napon nizak, laser prelazi u način uštede energije.

Laser treperi u samonivelirajućem načinu rada

4 sek. 1 sek.

Laser treperi u ručnom načinu rada

8 sec. 1 sec.

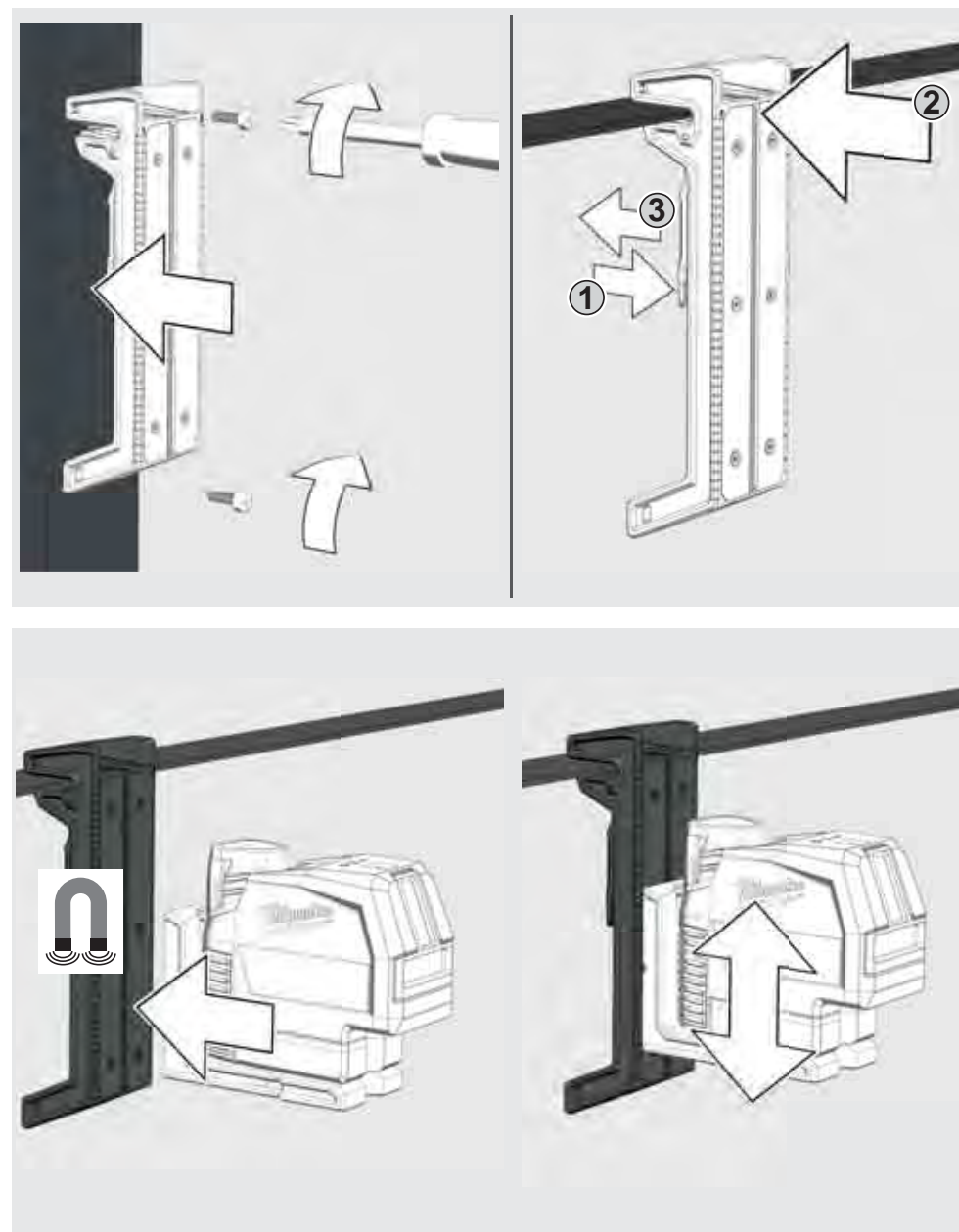
Od sada je još uvijek moguće nastaviti s radovima.

Kad napon bude nizak, laser i LED će bljeskati 4 puta i automatski će se ugasi.

MONTAŽA NA STROP

Pričvrstite spojnicu vijcima na stup.

Upotrijebite stropni nosač za stezanje lasera na stropne kanale, nosače ...

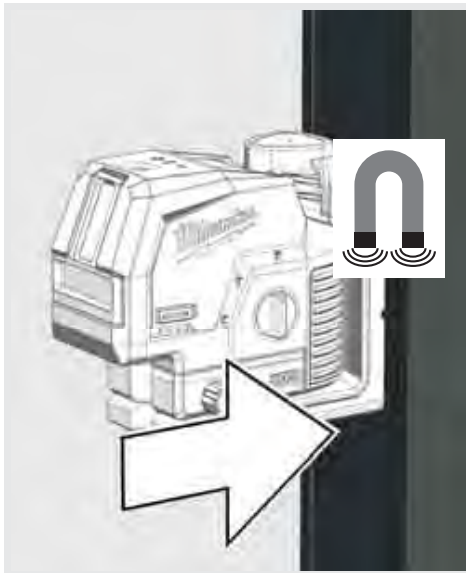


ZIDNA I ZELENA CILJNA PLOČA

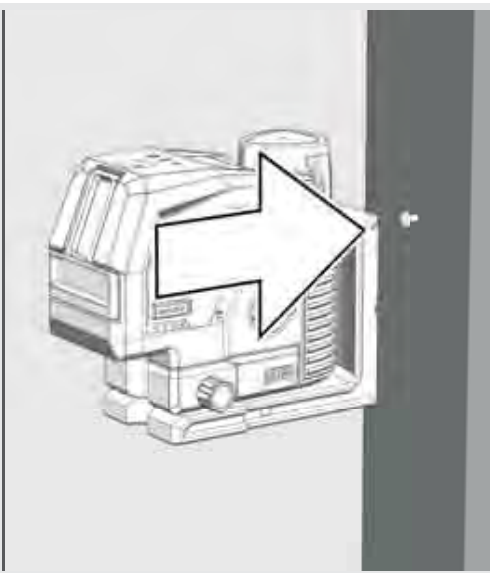
S magnetskim zidnim držačem laser se može pričvrstiti na zidovima, metalnim strukturama i sl.

Ili popravite vijkom ili čavlom na stupu.

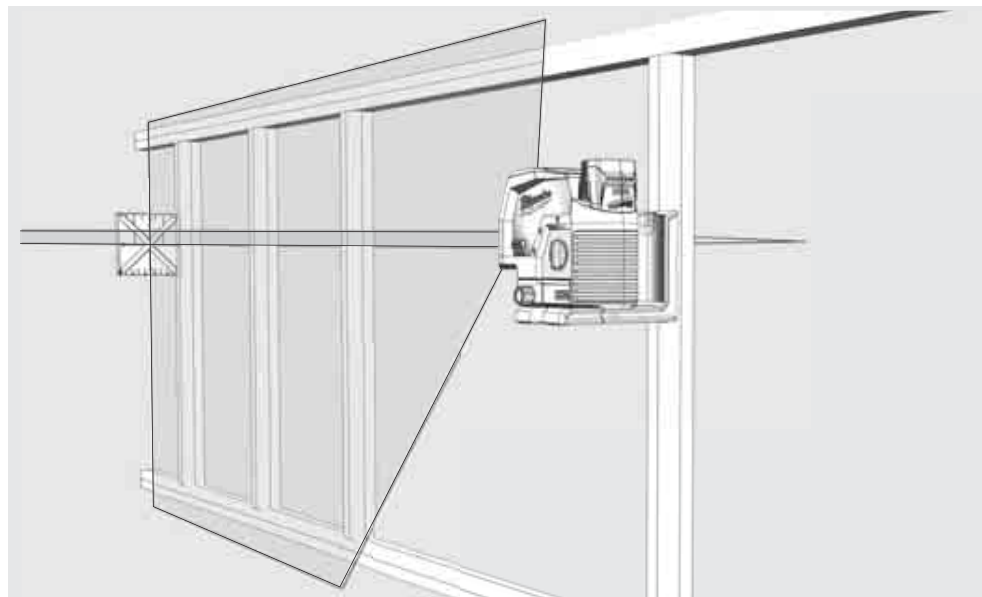
Koristite zelenu ciljnu ploču za poboljšanje vidljivosti laserskog snopa u nepovoljnim uvjetima i na većoj udaljenosti.



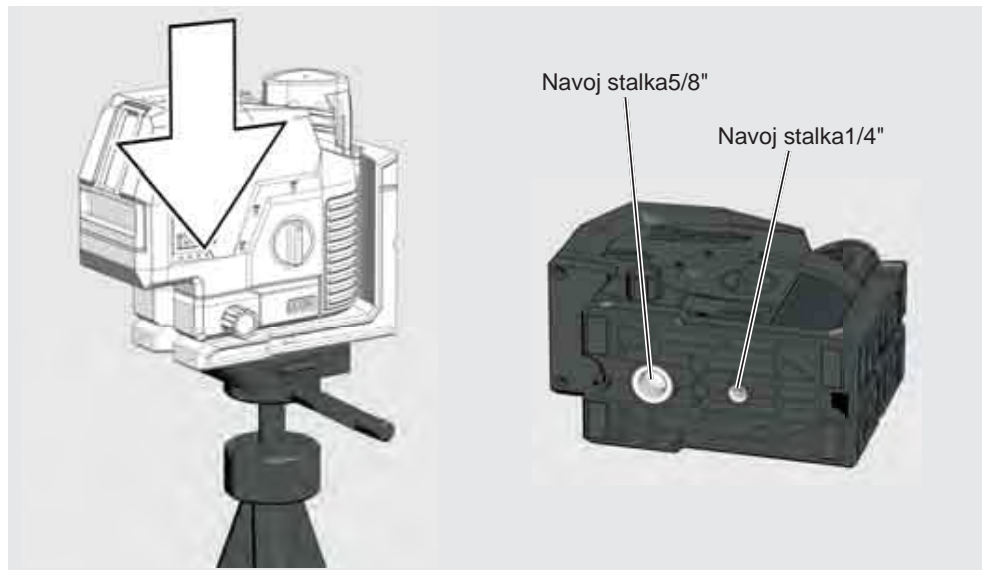
Okreni laser za 360 °.



Upotrijebite gumb za podešavanje za mikro podešavanje stope 20 °



Upotrijebite nosač stativa da biste učvrstili laser na stativu.

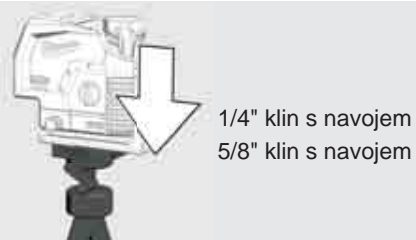


RAD U SAMONIVELIRAJUĆEM MODUSU

U samonivelirajućem modusu laser se samostalno usmjerava na jednom području od $\pm 4^\circ$. K tome se projiciraju jedna vodoravna linija, jedna okomita linija ili obje linije istovremeno.

1

Laser postaviti na jednu čvrstu, ravnu podlogu bez vibracija ili montirati ga na jednom stalku.



2

Okrenite okretni prekidač na:



3

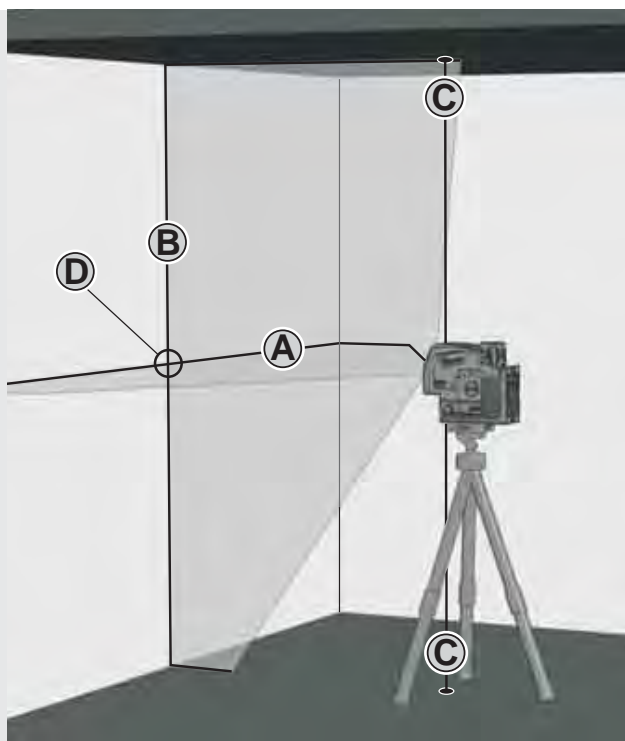
Laser proizvodi 2 laserske linije.

(A) Vodoravna linija prema naprijed

(B) Okomita linija prema naprijed

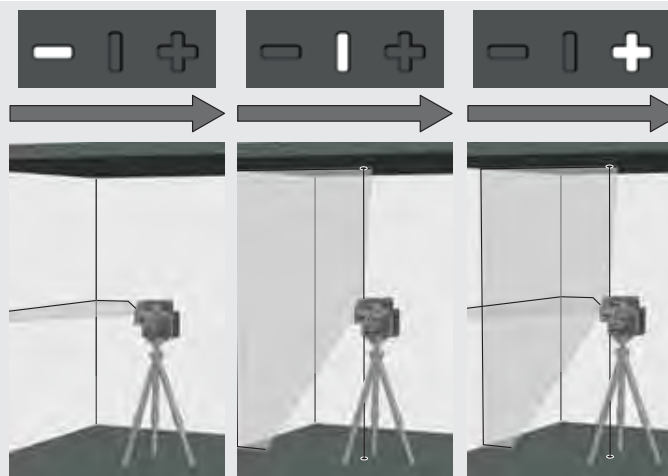
(C) Laserska točka

(D) Kada su sve linije aktivirane, laser proizvodi križne linije prema naprijed.



4

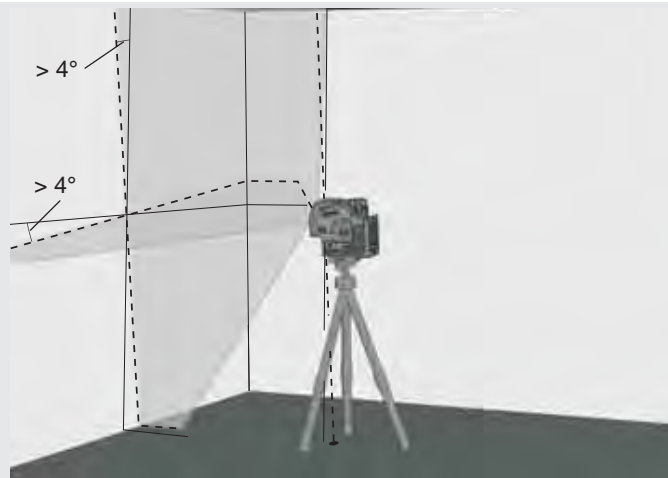
Poželjne linije odabrati preko tipke.



5

Ako laser kod aktiviranog samoniveliranja na početku nije uspravljen na $\pm 4^\circ$, laserska linija treperi. - - - - .

U tome slučaju laser nanovo pozicionirati.



6

Prije pomicanja lasera, okrenite okretni prekidač na **OFF**. Time se klatno aretira a laser je zaštićen.



RAD U RUČNOM MODUSU

U ručnom modusu je samonivelirajuća funkcija deaktivirana a laser se može namjestiti na svaki nagib laserskih linija.

1

Laser postaviti na jednu čvrstu, ravnu podlogu bez vibracija ili montirati na stalak.



2

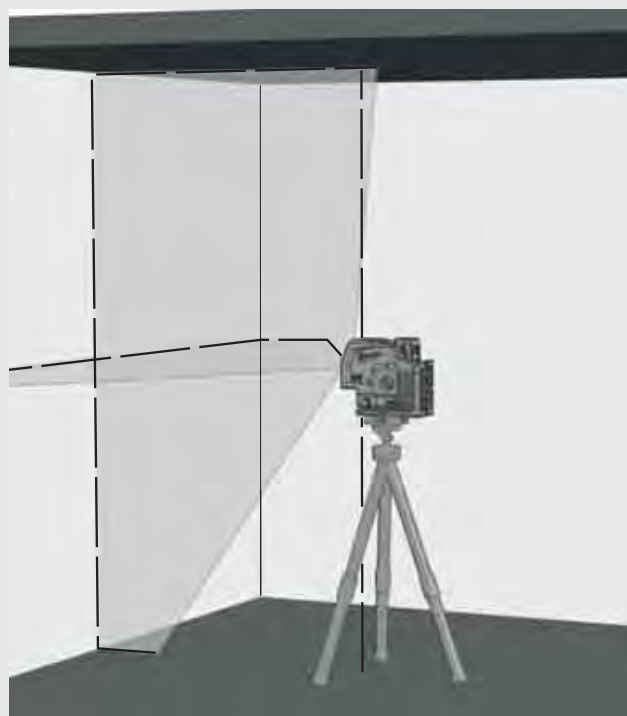
Okrenite okretni prekidač na: **ON**.



3

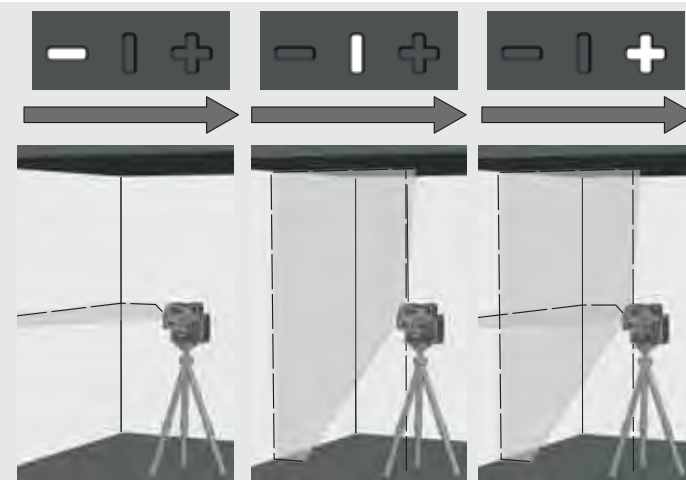
Kao i u samonivelirajućem modusu, laser proizvodi 2 laserske linije, koje se doduše svake 8 sekunde prekidaju.

8 Sek. 8 Sek. 8 Sek.



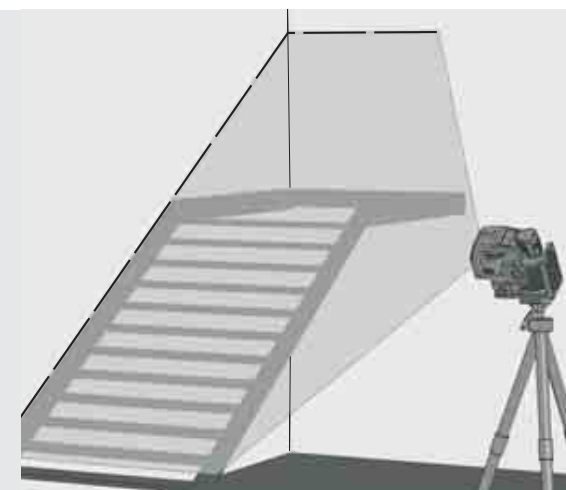
4

Poželjne linije odabrati preko tipke.



5

Laser uz pomoć staka namjestiti na poželjnu visinu i nagib.



6

Da biste izašli iz ručnog načina,

Okrenite okretni prekidač na: **ON** ili

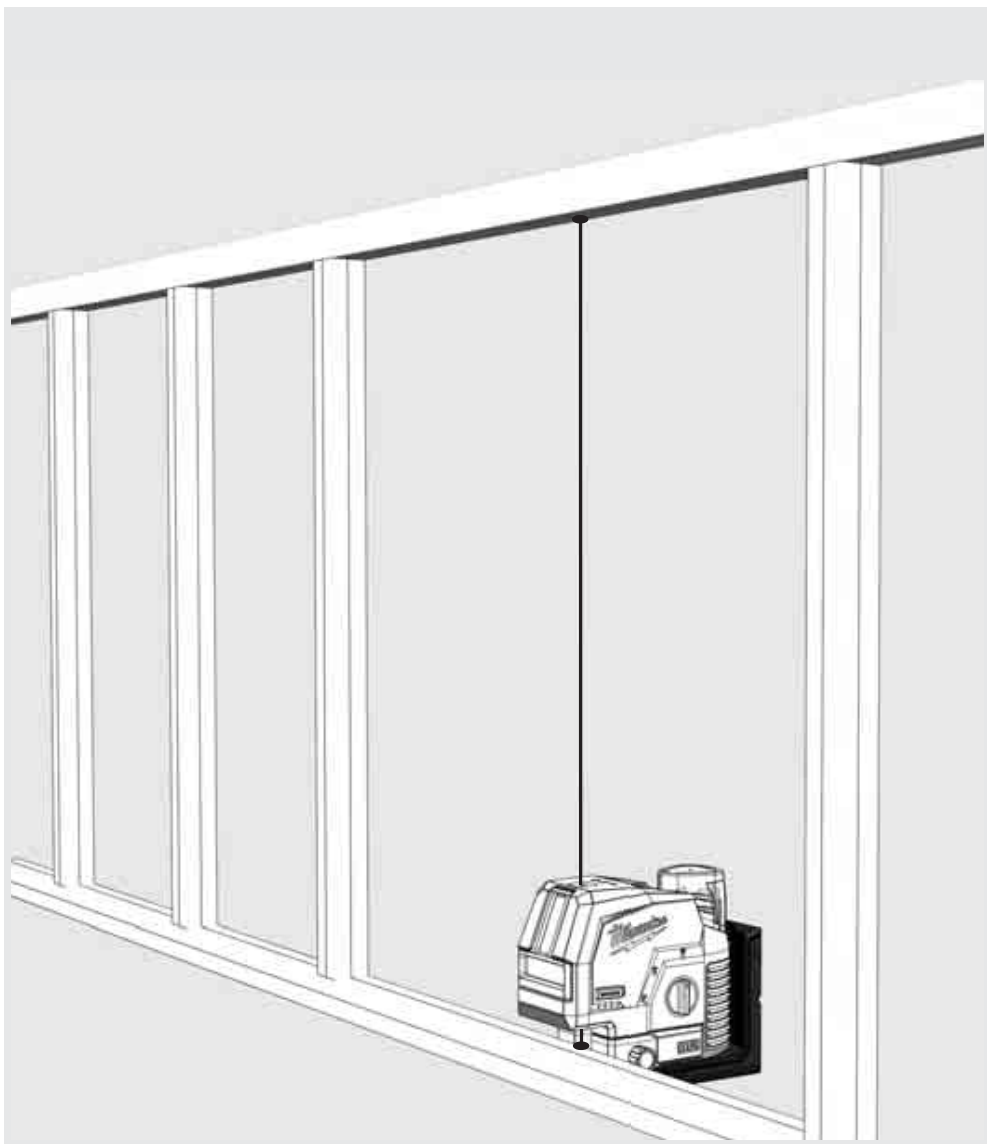
okrenite okretni prekidač na: **OFF**.



FUNKCIJA OKOMICE

Sa funkcjom okomice se može projicirati jedna točka na podu okomito na stropu.

Funkcija okomice služi primjerice za prijenos jedne referentne točke za instalaciju rasvjete i ventilacije ili za prijenos visina.

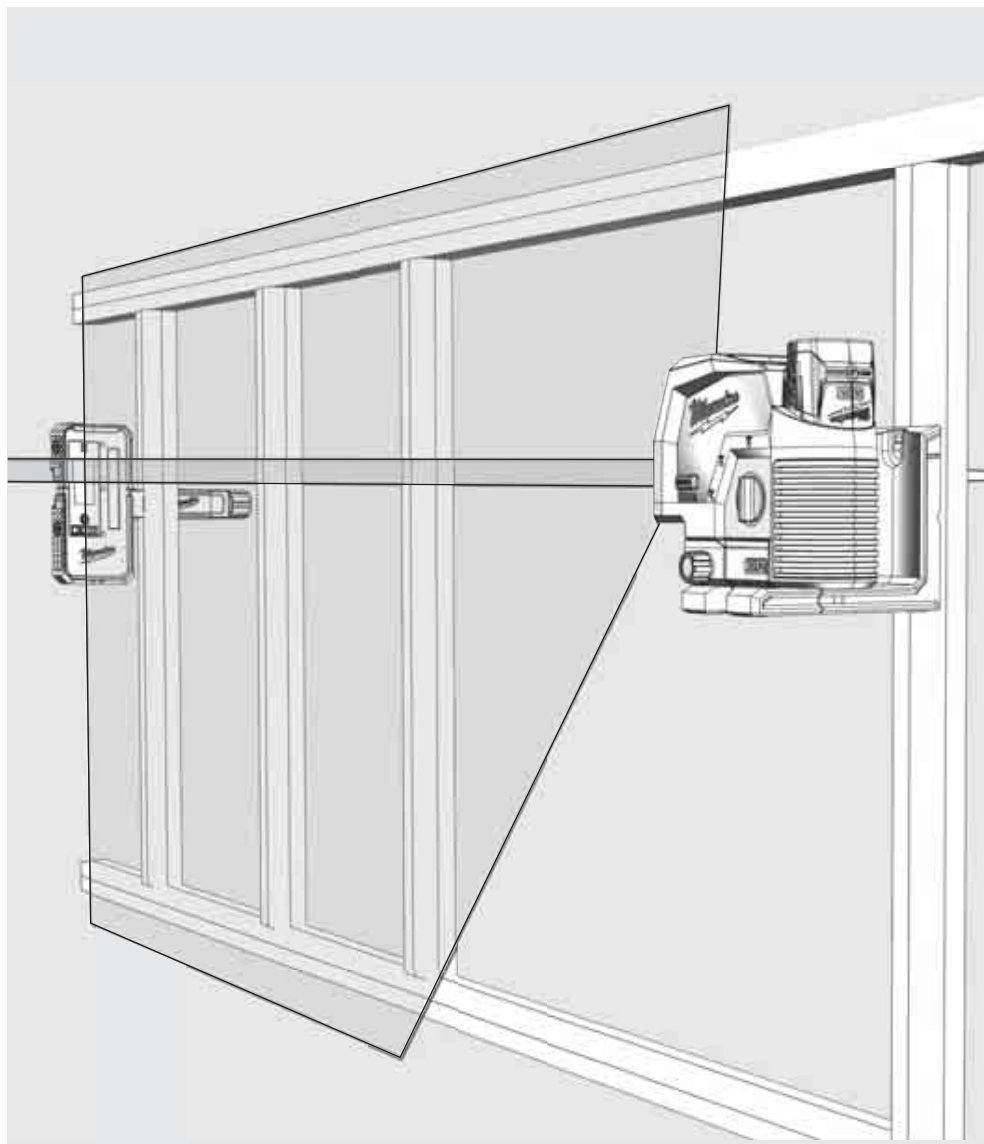


DETEKTOR

Za vanjske radove pod izravnom sunčevom svjetlošću ili jakim uvjetima i za produljene unutarne domete do 50 metara koristite Milwaukee detektor.

Detektor nije sadržan u opsegu isporuke i mora se kupiti posebno.

Detaljne informacije za primjenu detektora ćete naći u uputi za posluživanja za detektor.



PROVJERA TOČNOSTI

Laser je tvornički potpuno kalibriran. Milwaukee preporučuje, točnost lasera redovno provjeravati, prije svega poslije nekog pada ili usljed pogrešnih rukovanja.

Ako se maksimalno odstupanje kod jedne provjere točnosti prekorači, obratite se jednom od naših Milwaukee-servisnih centara (vidi listu uvjeta garancije i adresa servisnih centara).

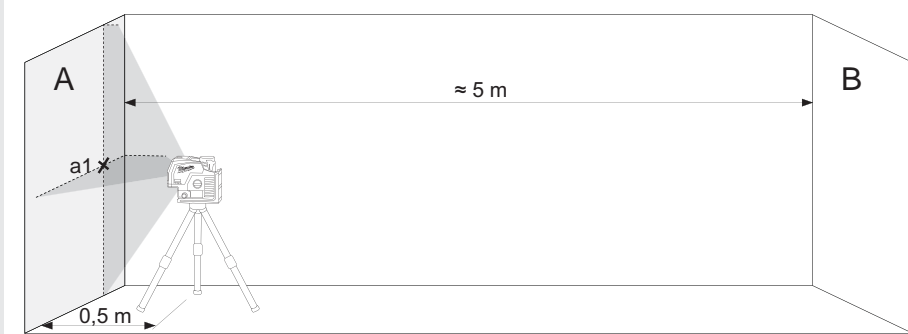
1. Provjeriti visinu točnosti vodoravne linije.
2. Provjeriti točnosti niveliranja vodoravne linije.
3. Provjeriti točnost niveliranja okomite linije.
4. Provjeriti točnost okomice.

Prije provjere točnosti lasera montiranog na stalku, kontrolirati niveliranja stalka.

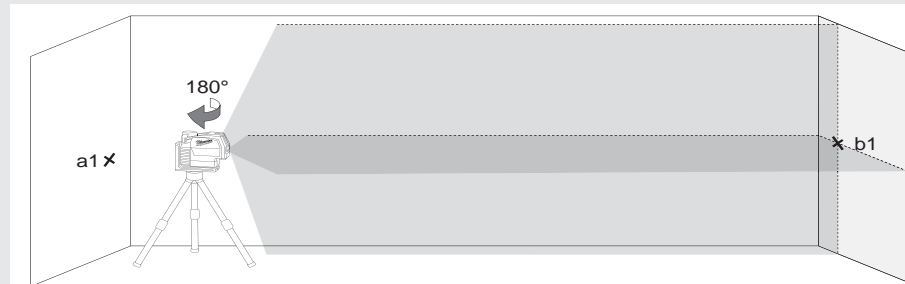


1 VISINSKU TOČNOST VODORAVNE LINIJE PROVJERITI (ODSTUPANJE GORE I DOLJE)

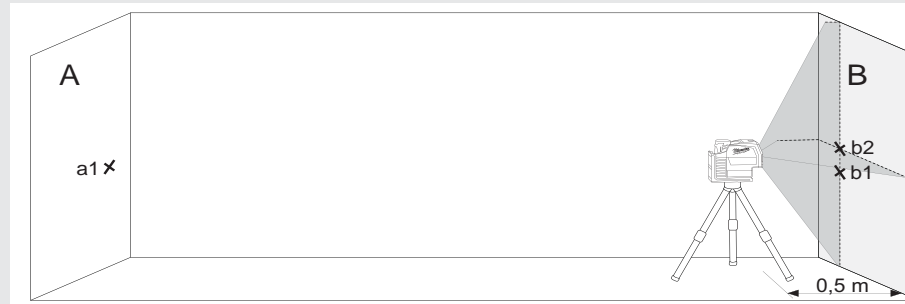
1. Laser postaviti na jedan stalak ili na jednu ravnu podlogu između dva oko 5 m jedan od drugoga udaljenih zidova A i B.
2. Laser pozicionirati cca. 0,5 m udaljeno od zida A.
3. Uključiti samonivelirajući modus i pritisnuti tipku, kako bi se vodoravna i okomita linija projicirale na zidu A.
4. Sjecište obiju linija markirati kao točku a1 na zidu A.



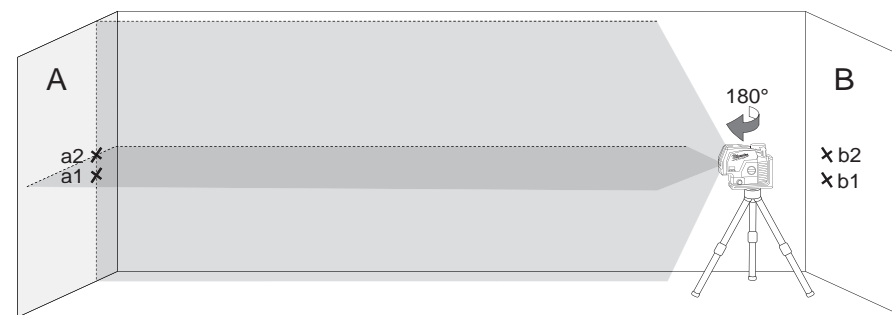
5. Laser okrenuti za 180° u smjeru zida B i sjecište obiju linija markirati kao b1 na zidu B.



6. Laser postaviti cca. 0,5 m udaljeno od zida B.
7. Sjecište obiju linija markirati kao b2 na zidu B.



8. Laser okrenuti za 180° u smjeru zida A i sjecište obiju linija markirati kao a2 na zidu A



9. Mjerenje razmaka:

$$\Delta a = |a2 - a1|$$

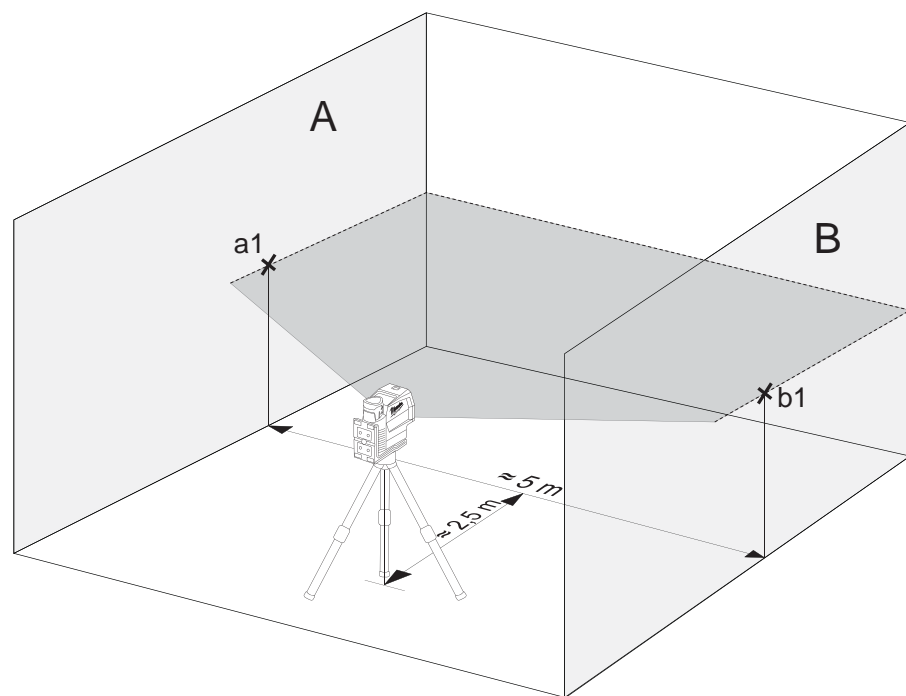
$$\Delta b = |b1 - b2|$$

10. Diferencija $|\Delta a - \Delta b|$ ne smije iznositi više od 2 mm.

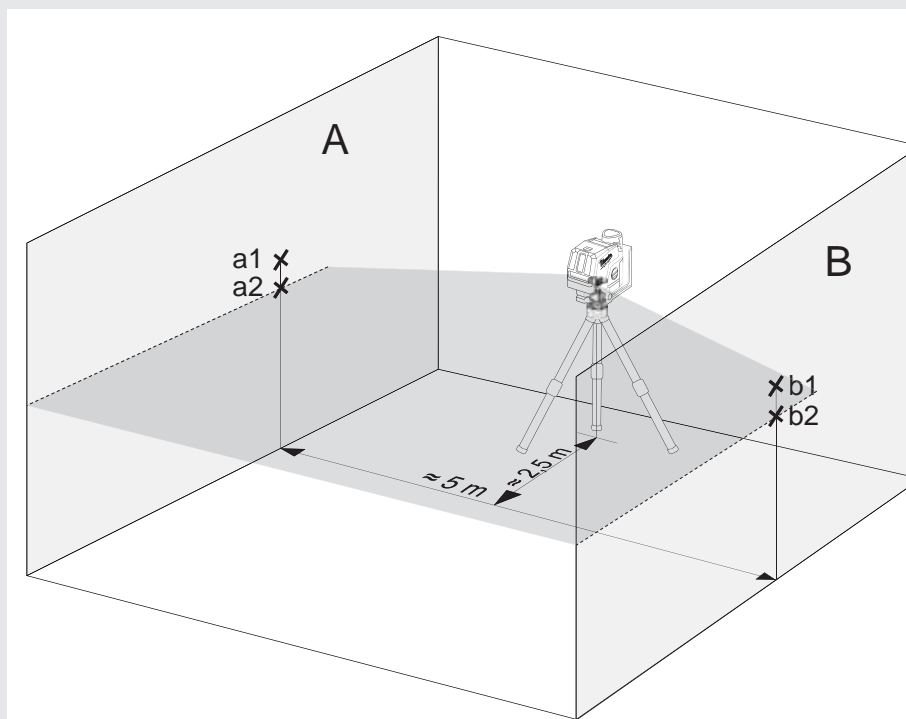
2 PROVJERITI TOČNOST NIVELIRANJA VODORAVNE LINIJE (ODSTUPANJE OD JEDNE STRANE PREMA DRUGOJ)

Za ovu provjeru je potrebna jedna slobodna površina od cca. 5 × 5 m.

1. Laser na jednom stalku postavi na čvrstu podlogu između dva zida A i B, udaljena jedan od drugog cca. 5 m.
2. Laser postaviti na cca. 2,5 m udaljenosti od sredine prostorije.
3. Samonivelirajući modus uključiti i pritisnuti tipku, kako bi se vodoravna linija projicirala na zidovima A i B.
4. Središte laserske linije markirati na zidu A kao a1 i na zidu B kao b1.



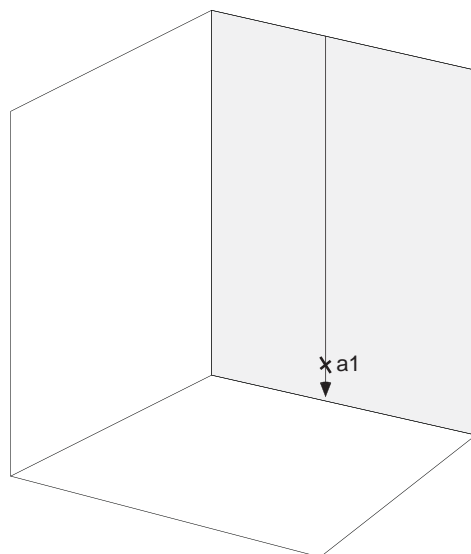
5. Laser pomaknite za cca. 5 m i okrenite za 180°, kako bi vodoravnu liniju ponovno projicirali na zidove A i B.
6. Središte laserske linije markirati na zidu A kao a2 i na zidu B kao b2.



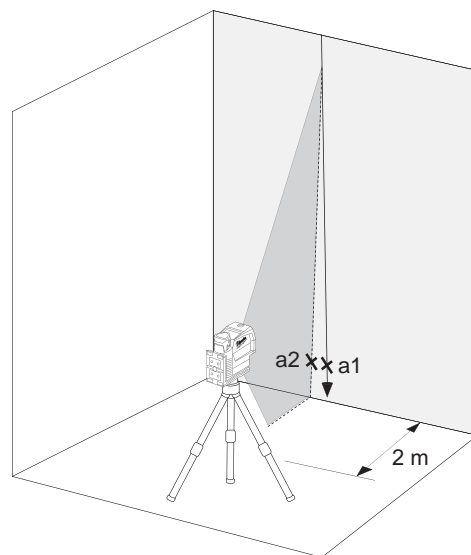
7. Mjerjenje razmaka:
 $\Delta a = |a2 - a1|$
 $\Delta b = |b1 - b2|$
8. Diferencija $|\Delta a - \Delta b|$ ne smije iznositi više od 2 mm.

3 TOČNOST NIVELIRANJA OKOMITE LINIJE PROVJERITI

1. Jednu cca. 4m dugu vrpцу viska objesiti na zid.
2. Nakon što se visak smirio, markirati točku a1 iznad olovnog stošca na zidu.



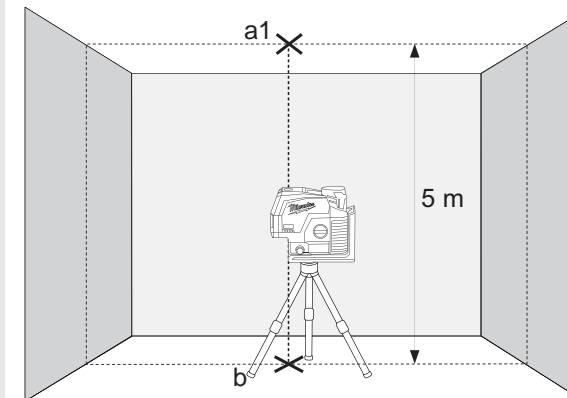
3. Laser postaviti na jedan stalak ili na jednu ravnu podlogu na cca. 2 m udaljenosti od zidu.
4. Uključiti samonivelirajući modus i pritisnuti tipku, kako bi se na vrpći viska projicirala okomita linija.
5. Vrpću viska okrenuti tako, da se okomita linija podudara sa vješanjem vrpce viska.
6. Točku a2 na sredini okomite linije markirati na istoj visini kao a1 na zidu.
7. Razmak između a1 i a2 ne smije biti veći od 1 mm.



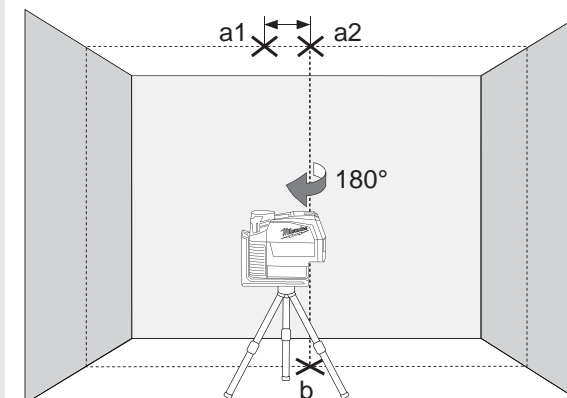
4 PROVJERA TOČNOSTI OKOMICE

Za ovu provjeru je potrebna jedna prostorija visine stropa od cca. 5 m.

1. Postavljanje križnog lasera na tronožac.
2. Uključite samonivelirajući način i pritisnite tipku za prelazak na opranu funkciju.
3. Označite gornju točku vodovoda na stropu kao točku a1 (vidi sliku).
4. Označite donju točku udara na podu kao točku b.



5. Laser okrenuti za 180° i tako pozicionirati, da središte okomice pada na već markiranu točku b i sačekati da se aparat niverlira.
6. Označite gornju točku vodovoda na stropu kao točku a1 (vidi sliku).
7. Razmak između točaka a1 i a2 na stropu prikazuje, u koji mjeri laserska linija odstupa od idealne okomice. Kod jedne mjerne dionice od 5 m maksimalno dozvoljeno odstupanje iznosi: $5 \text{ m} \times (\pm 0,6 \text{ mm/m}) \times 2 = \pm 6 \text{ mm}$.
8. Razmak između a1 i a2 ne smije biti veći od 6 mm.



SATURS

Svarīgi drošības noteikumi	229
Apkope	230
Tehniskie dati	230
Paredzētā izmantošana	230
Pārskats	231
Aprīkojums	232
Nomainīt akumulatoru	232
Akumulatora jaudas indikators	233
Zema akumulatora līmeņa indikators	233
Griestu montāža	233
Sienas stiprinājums un zaļā mērķa plāksne	234
Darbs autonomajā līmeņošanas režīmā	235
Darbs manuālā režīmā	236
Atsvara funkcija	237
Detektors	237
Precizitātes pārbaude	238

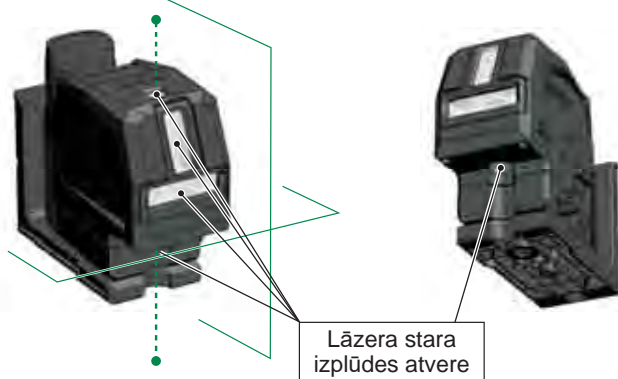
SVARĪGI DROŠĪBAS NOTEIKUMI



UZMANĪBU! BĪSTAMI!

Pirms šī produkta lietošanas uzmanīgi izlasiet drošības instrukcijas un lietošanas rokasgrāmatu.

Lāzera klasifikācija



BRĪDINĀJUMS:

Tas ir 2. klases lāzera produkts saskaņā ar EN60825-1:2014.



Brīdinājums:

Neskatieties ar acīm tieši lāzera starā. Lāzera stars var izraisīt nopietnus acu savainojumus un/vai aklumu.

Neskatieties tieši lāzera starā un bez nepieciešamības nepāvērsiet lāzera staru pret citām personām.

Uzmanīgi! Dažos lietošanas gadījumos lāzera staru izstarojošā iekārta var atrasties aiz jums. Šādā gadījumā apgriezieties uzmanīgi.

Brīdinājums:

Nestrādājiet ar lāzeru bērnu tuvumā un neļaujiet bērniem strādāt ar lāzeru.

Uzmanību! Atstarojoša virsma var atstarot lāzera ierīces staru uz citām ierīcēm vai cilvēkiem.

Brīdinājums: Vadības elementu, iestatījumu rezultātā, vai veicot cita veida darbības, kas nav paredzētas rokasgrāmatā, var rasties bīstams radiācijas piesārņojums.

Ja lāzers no ļoti aukstas apkārtējās vides tiek ienests siltā vidē (vai otrādi), tad pirms lietošanas tam jāsasniedz apkārtējās vides temperatūra.

Neuzglabājiet lāzeru ārpusei telpām un sargājiet to no triecieniem, ilgstošas vibrācijas un paaugstinātām temperatūrām.

Nepakļaut lāzera mērierīci putekļiem, mitrumam un augsta relatīvā gaisa mitruma ietekmei. Šie faktori var nodarīt bojājumus ierīces iekšienē, līdz ar to var tikt ietekmēta mērījumu precizitāte.

Ja lāzera starojums nonāk acīs, aizveriet tās un nekavējoties pagrieziet galvu prom no stara virziena.

Pievērsiet uzmanību: lāzera staru novietojiet tā, lai tas neapžilbinātu jūs vai citas personas.

Neskatieties lāzera starā ar optiskajām palielinājuma ierīcēm, piemēram, tālskatiem vai teleskopiem. Pretējā gadījumā palielinās nopietnu acu savainojumu draudi.

Ņemiet vērā, ka lāzera redzamības brilles uzlabo lāzera līniju redzamību, taču neaizsargā acis no lāzera starojuma.

Lāzerierīces brīdinājuma uzlīmes nedrīkst noņemt vai padarīt nesalasāmas.

Neizjauciet lāzeru. Lāzera starojums var radīt nopietnus acu bojājumus.

Pirms lāzera transportēšanas pārliecinieties, ka ir nofiksēts svārsta fiksators.

Norādījums: ja svārsta fiksators nav nostiprināts, tad transportēšanas laikā iespējami bojājumi ierīces iekšpusē.


Tīrīšanai neizmantojiet agresīvus tīrīšanas līdzekļus vai šķīdinātājus. Tīrīt tikai ar tīru, mīkstu lupatiņu.


Sargājiet lāzeru no spēcīgiem triecieniem un kritieniem. Pēc kritiena vai spēcīgas mehāniskās iedarbības pirms lietošanas jāveic ierīces precizitātes pārbaude.

Nepieciešamos lāzera ierīces remontdarbus var veikt tikai apmācīti darbinieki.

Nelietojiet to sprādzienbīstamās vietās vai agresīvā vidē.

Paredzot ilgāku ierīces dīkstāvi, izņemiet baterijas no bateriju nodalījuma. Šādi var novērst bateriju iztecēšanu un ar to saistītos korozijas bojājumus.

 ukšās baterijas nedrīkst izmest sadzīves atkritumu tvertnē. Rūpējieties par vidi un aizvediet tās uz speciālajiem savākšanas punktiem, kas ir izveidoti saskaņā ar nacionālo vai vietējo likumdošanu. Ierīci nedrīkst izmest sadzīves atkritumu tvertnē. Izvietojiet produktu atbilstoši spēkā esošajiem nacionālajiem noteikumiem. Stingri ievērojiet valsts un vietējos specifiskos noteikumus. Par ierīces nodošanu pārstrādei, sazinieties ar tuvāko veikalu vai savu izplatītāju.

 Eiropas atbilstības zīme

APKOPE

Lāzera objektīvu un korpusu tīriet ar mīkstu, tīru drānu. Nelietojiet šķīdinātājus.

Lāzers līdz noteiktai pakāpei ir noturīgs pret putekļiem un netīrumiem, taču to nav ieteicams ilglaicīgi uzglabāt putekļainā vietā, jo citādi ir iespējami iekšējo kustīgo detaļu bojājumi.

Ja lāzers kļūst mitrs, to pirms ievietošanas pārnēsāšanas koferī jānožāvē, lai nerastos rūsas bojājumi.

TEHNISKIE DATI

Lāzera klase	2
Autonomās līmeņošanas intervāls	± 4°
Autonomās līmeņošanas ilgums	3 s
Baterijas tips	Li-Ion
Spriegums DC	12V ===
Aizsardzības pakāpe (šķakatas un putekļi)	IP54*
Maks. augstums	2000 m
Relatīvais mitrums maks.	80%
Piesārņojuma līmenis saskaņā ar IEC 61010-1	2**
Impulsa ilgums t_p	≤ 80 μs
Funkcijas	horizontāla līnija, vertikālas līnijas, krustotas līnijas, atsvāra funkcija (2 punkti)
Frekvence	10 kHz
Projekcijas	2 zaļas līnijas, 2 punkti zaļi
Diodes daudzums	2
Diodes tips	30 mW
Lāzera līniju attēlojuma paraugs	Atsevišķi horizontāli, vieni vertikāli + 2 slīpi punkti uz augšu un uz leju, šķērslīnija + 2 slīpi punkti (uz augšu un uz leju)
Ekspluatācijas laiks	15stundas ar papildus akumulatoru M12 3.0 Ah
Statīva vītne	1/4" / 5/8"
Piemērots detektors	Milwaukee LLD50

Lāzera līnija	Platums < 9,53mm @ 30m
	Viļņa garums 510 - 530 nm, II lāzera klase
	Maksimālā jauda ≤ 7 mW
	Precizitāte +/- 3 mm / 10 m
	Atvēruma leņķis vertikālas līnijas > 120°; horizontāla līnija > 114°
	Krāsa zaļa
	Attālums 38 m (50 m ar detektoru)
Atsvāra punkts	Lāzera punkta viļņa garums 510 - 530 nm, II lāzera klase
	Maks. lāzera punkta jauda < 1 mW
	Punkta precizitāte +/- 3 mm / 10 m
	Lāzera punkta krāsa zaļa
	Redzamība 30 m
Ieteicamā ekspluatācijas temperatūra	-10 °C līdz +40 °C
Glabāšanas temperatūra	-20 °C līdz +50 °C
Ieteicamie akumulatoru tipi	M12 B...
Platums	170 mm x 82 mm x 148 mm
Svars (iesk. baterijas)	1205 g

* Litija jonu akumulatoram un akumulatora turētājam nav piemērojams IP54.

** Var rasties tikai nevadošs piesārņojums, lai gan dažkārt ir iespējama īslaicīga kondensāta izraisīta vadītspēja.

PAREDZĒTĀ IZMANTOŠANA

"Produkts galvenokārt paredzēts lietošanai iekštelpās. Pirms tā lietošanas ārpus telpām, pārliecinieties, ka pamatnosacījumi atbilst iekštelpu apstākļiem."

Šis inovatīvais lāzers ir paredzēts plašam profesionālajam pielietojumam, piemēram:

- flīžu, marmora plākšņu, skapju, apmaļu, veidgabalu un malu noregulēšanai;
- durvju, logu, sliekšņu, trepju, žogu, vārtu, verandu un pergolu montāžas pamatlīniju marķēšanai;
- horizontālo un vertikālo līniju noteikšanai un pārbaudei.
- Iekārto griestu un cauruļvadu līmeņošana, Logu dalīšana un cauruļu noregulēšana, elektroinstalāciju korpusa sienu līmeņošana

Šo izstrādājumu atļauts lietot tikai atbilstoši norādēm.

Atsvara punkts

Vertikāls lāzera līnijas logs

Horizontālās lāzeralīnijas atvere

Režīma poga

Īss nospiešana: Izvēlieties kādu no lāzera līnijām:

- horizontālā
- vertikālā + svērtā funkcija
- šķērsriezuma līnijas + svērtā funkcija

Ilgi nospiežot: pārslēdziet parasto režīmu / enerģijas taupīšanas režīmu

LED displejs akumulatora ietilpība

20 ° mikro regulēšana (+/- 10 ° no centra)

Atsvara punkts

Statīva stiprinājums 5/8 "

Statīva stiprinājums 1/4 "



LED displeja lāzera līnija

- horizontālā
- vertikālā
- + šķērslīnija

M12 Baterijas paka

Horizontālā lāzera stara marķējums

Rotācijas poga

- OFF Izslēgts / bloķēts
- ON Ieslēgts / manuāls režīms
- ON Ieslēgšanas / pašizlīdzināšanas režīms

Magnētiskais turētājs

Griestu montāža



APRIKOJUMS

Piederumi - nav iekļauts standarta aprīkojumā, pieejams kā papildaprīkojums.

Terminālis LM360



Detektors LLD50

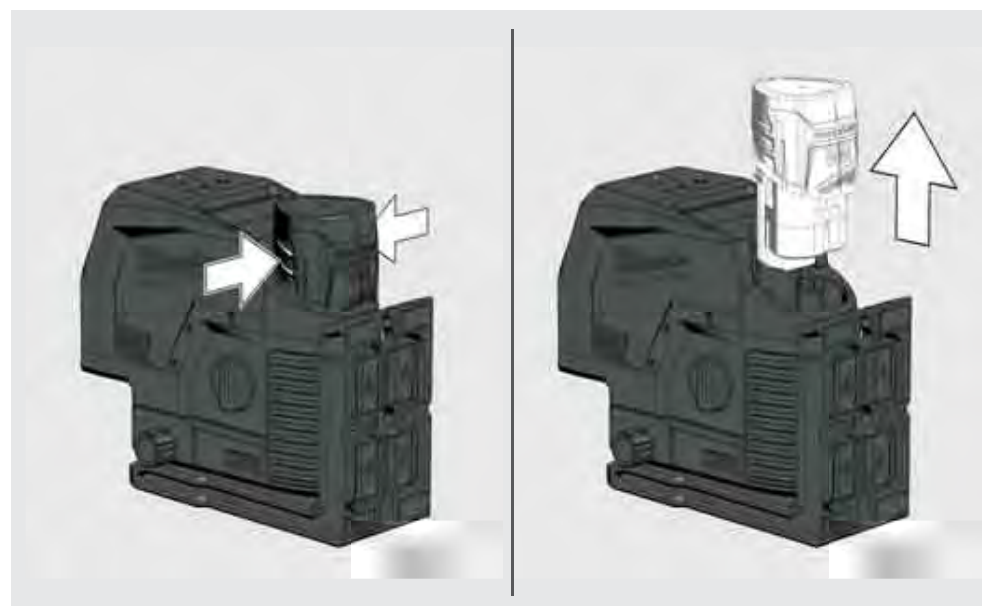
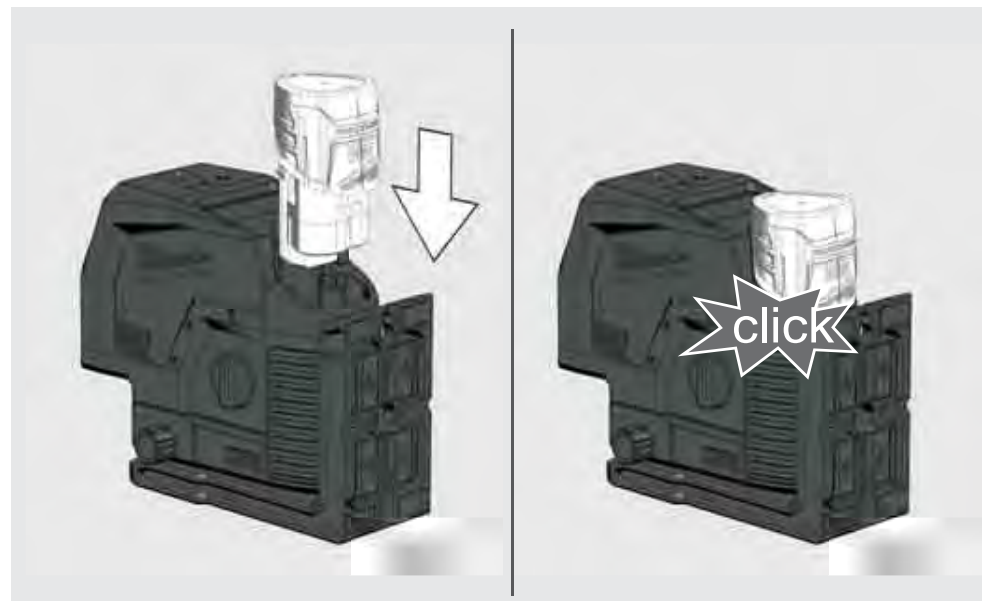


Statīvs TRP180



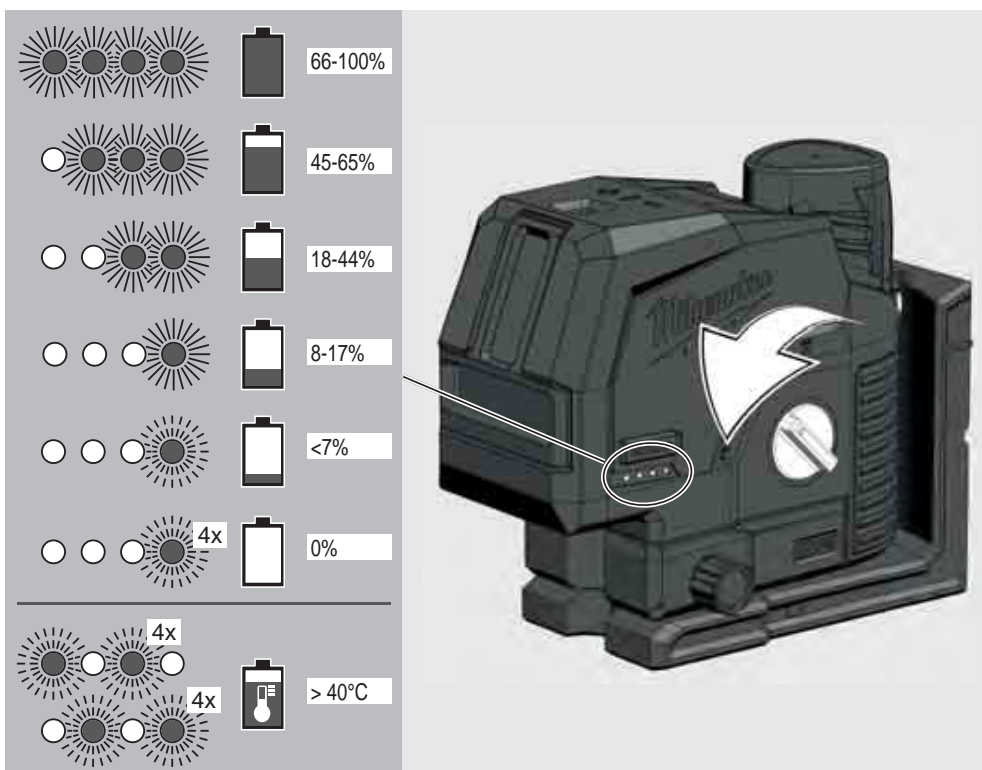
NOMAINĪT AKUMULATORU

Izmantojiet tikai M12 uzlādējamu Milwaukee akumulatoru.



AKUMULATORA JAUDAS INDIKATORS

Pēc lāzera ieslēgšanas vai izslēgšanas degvielas mērītājs parādīs akumulatora darbības laiku.



ZEMA AKUMULATORA LĪMENA INDIKATORS

Kad zems spriegums, lāzers pārslēdzas uz enerģijas taupīšanas režīmu.

Lāzers mirgo pašizlīdzinošā režīmā

4 sek. 1 sek.

Lāzers mirgo manuālajā režīmā

8 sek. 1 sek.

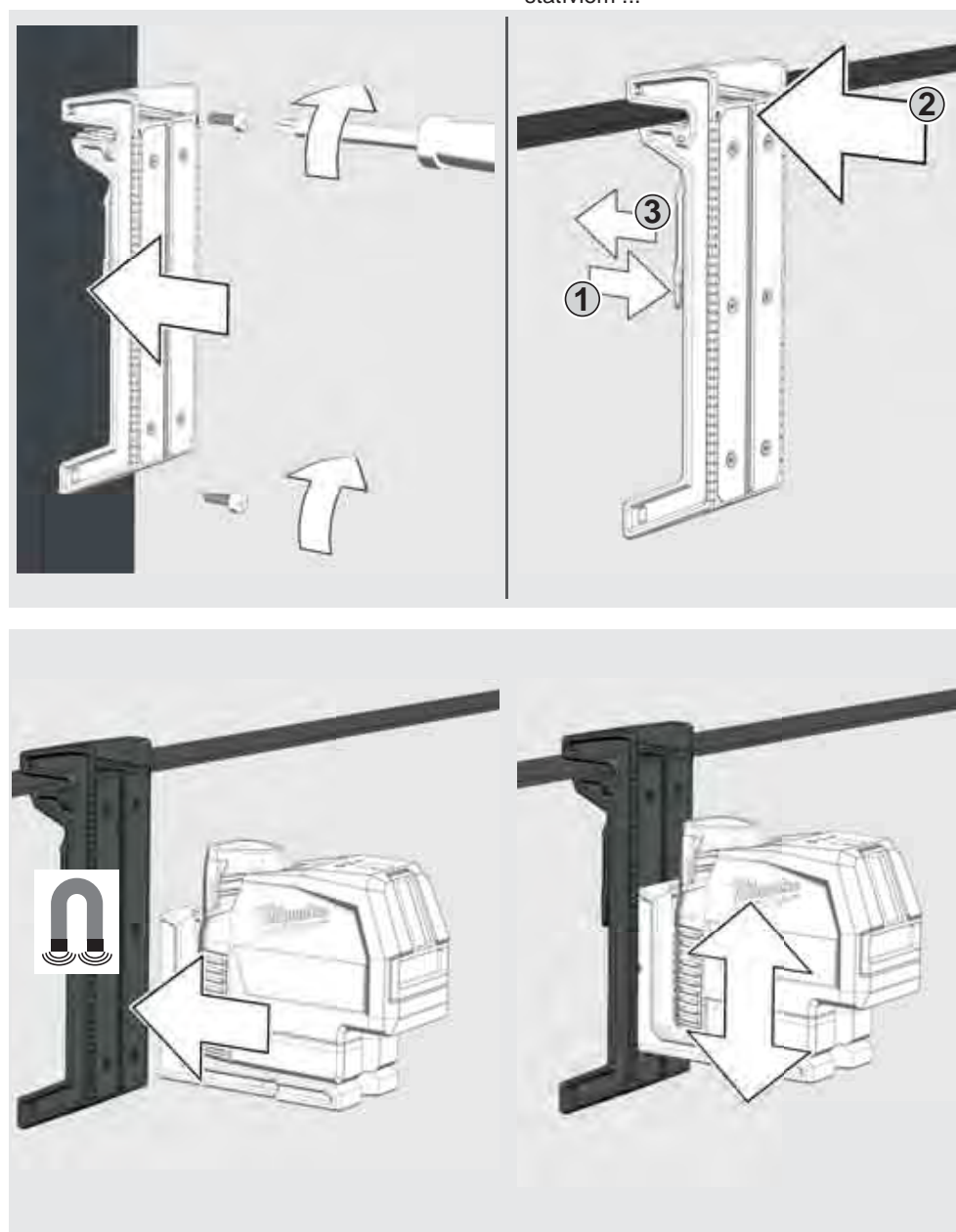
No šī brīža darbu joprojām ir iespējams turpināt.

Kad spriegums ir zems, lāzers un gaismas diode mirgos 4 reizes un automātiski izslēgsies.

GRIESTU MONTĀŽA

Piestipriniet sliedes stiprinājumu ar skrūvēm pie statņa.

Izmantojiet griestu stiprinājumu, lai piestiprinātu lāzeru pie griestu kanāliem, statīviem ...

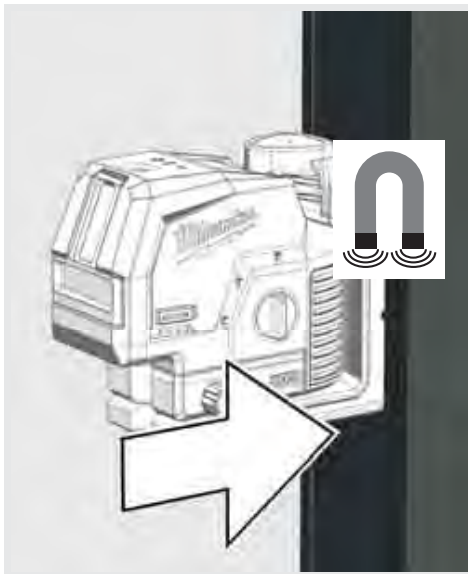


SIENAS STIPRINĀJUMS UN ZAĻA MĒRKA PLĀKSNE

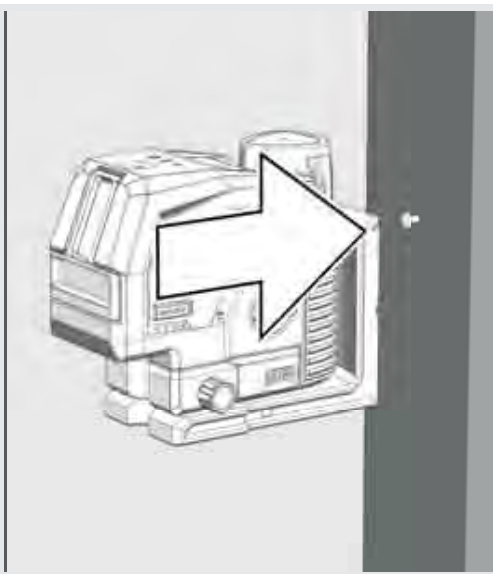
Lāzeru ar magnētisko sienas stiprinājumu var piestiprināt sienām, metāla struktūrām u.tml.

Vai piestipriniet ar skrūvi vai naglu uz statņa.

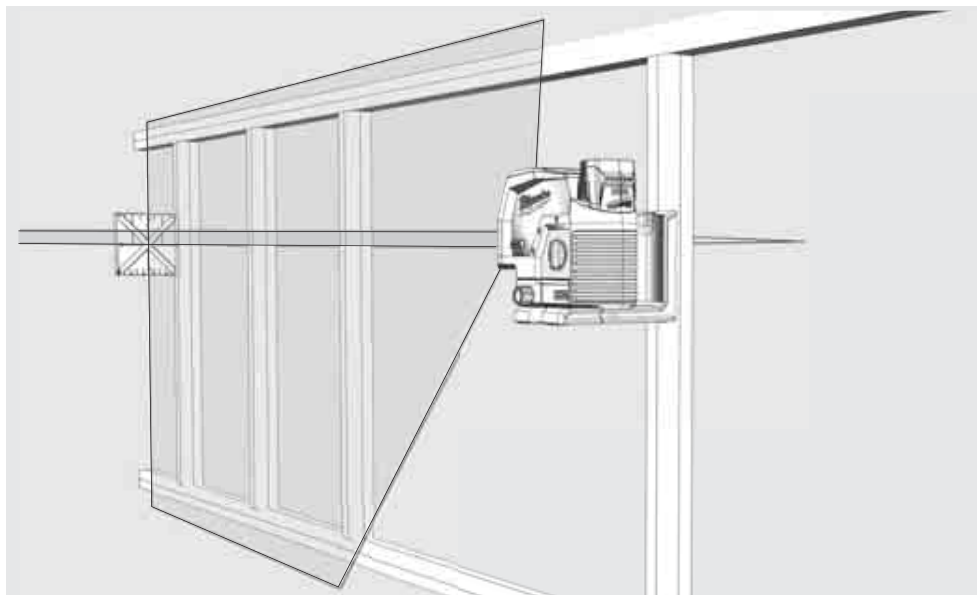
Izmantojiet zaļo mērķa plāksni, lai uzlabotu lāzera stara redzamību nelabvēlīgos apstākļos un lielākos attālumos.



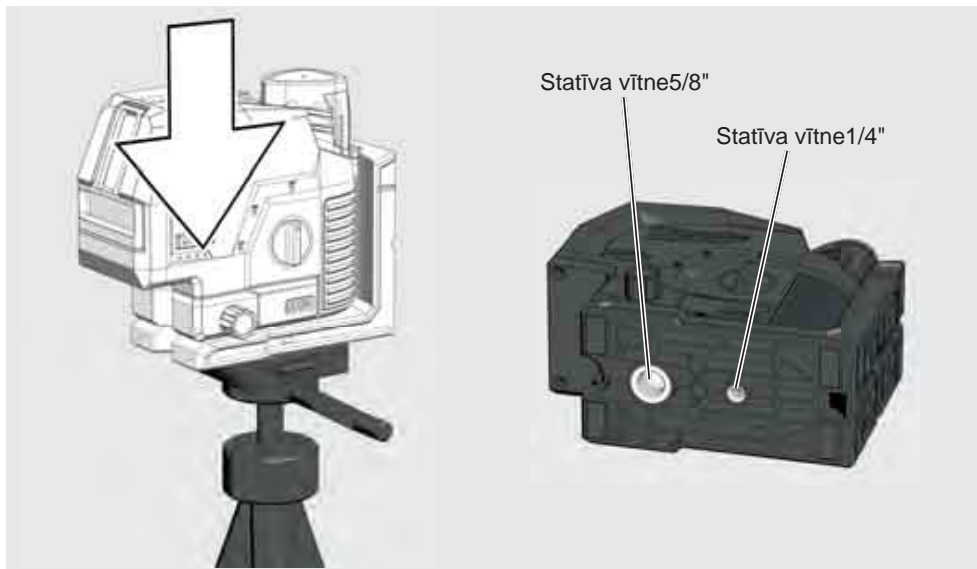
Pagrieziet lāzeru par 360 °.



Izmantojiet regulēšanas pogu 20 ° šarnīra mikroregulēšanai



Izmantojiet statīva stiprinājumu, lai nofiksētu lāzeru uz statīva.

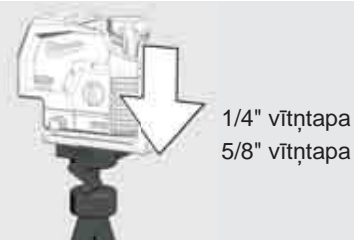


DARBS AUTONOMAJĀ LĪMENOSANAS REŽĪMĀ


Autonomajā līmeņošanas režīmā lāzers veic pašnolīmeņošanu $\pm 4^\circ$ intervālā. Šim mērķim tiek projicēta horizontāla līnija, vertikāla līnija vai abas līnijas vienlaicīgi.

1

Novietojiet lāzeru uz līdzenas un nevibrējošas pamatnes vai uzmontējiet uz statīva.



2

Pagrieziet daudzfunkcionālo slēdzi pozīcijā: 

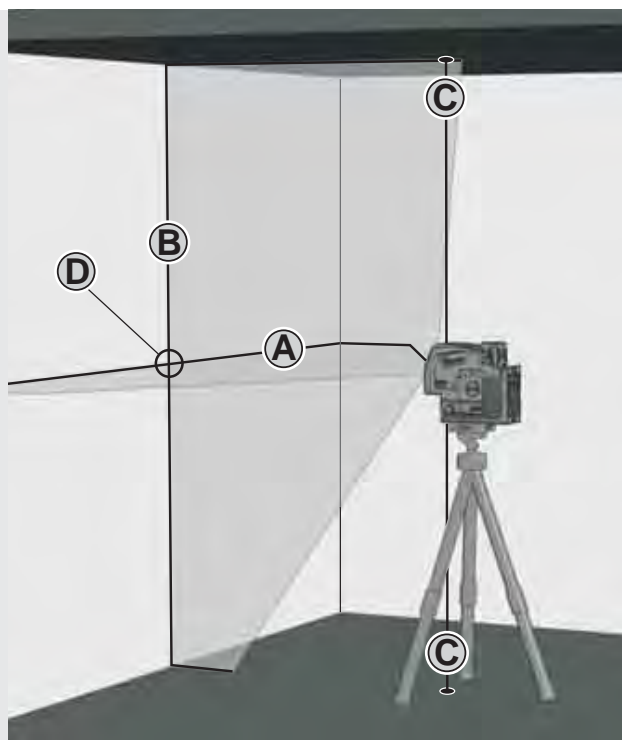


3

Lāzers attēlo 2 lāzera līnijas.

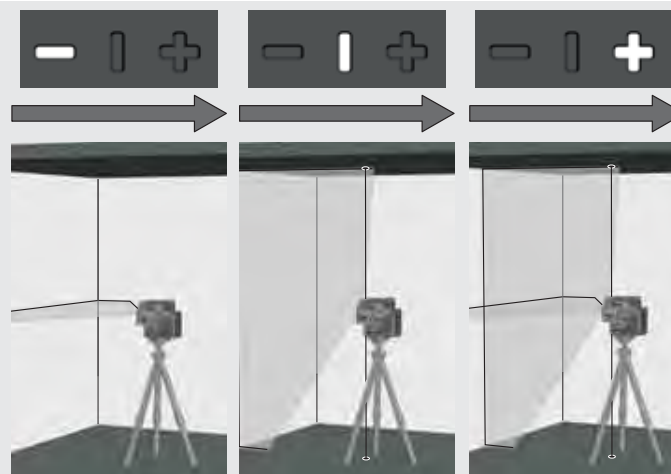
(A) Horizontāla līnija uz priekšu
(B) Vertikāla līnija uz priekšu
(C) Lāzera punkts

(D) Ja ir aktivizētas visas līnijas, lāzers krusteniskās līnijas attēlo uz priekšu.



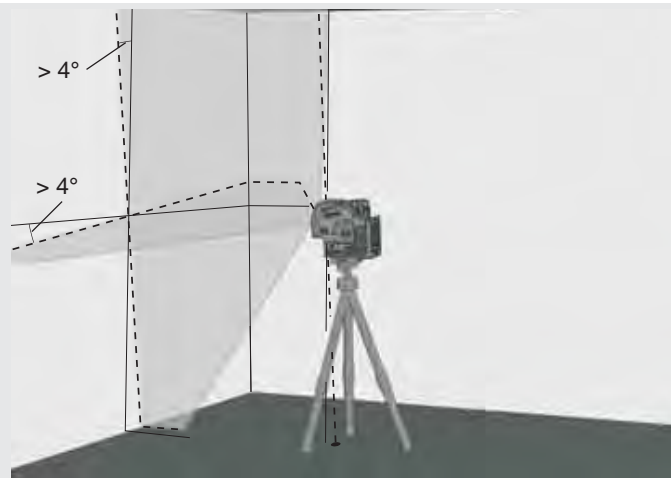
4

Atlasiet vēlamās līnijas ar taustiņu.




5

Ja lāzers ar aktivizētu autonomo līmeņošanu sākumā nav noregulēts $\pm 4^\circ$ intervālā, tad lāzera līnijas mirgo. — — — —
Šādā gadījumā novietojiet lāzeru no jauna.



6

Pirms lāzera pārvietošanas pagrieziet daudzfunkcionālo slēdzi pozīcijā . Tas nofiksē svārstīšanos un nodrošina lāzera aizsardzību.



DARBS MANUĀLĀ REŽĪMĀ

Manuālā režīmā autonomās līmeņošanas funkcija ir deaktivizēta un lāzeru var iestatīt brīvi izvēlētā slīpumā.

1

Novietojiet lāzeru uz līdzenas un nevibrējošas pamatnes vai uzmontējiet uz statīva.



2

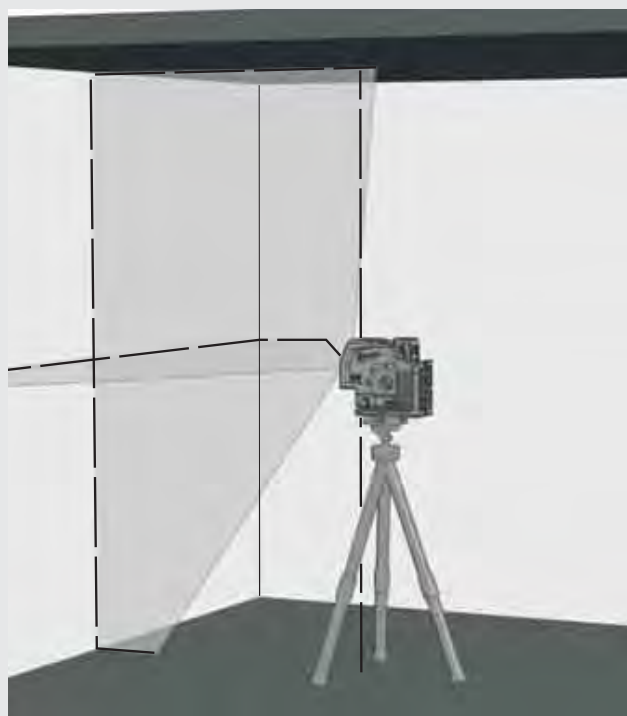
Pagrieziet daudzfunkcionālo slēdzi pozīcijā: **ON**.



3

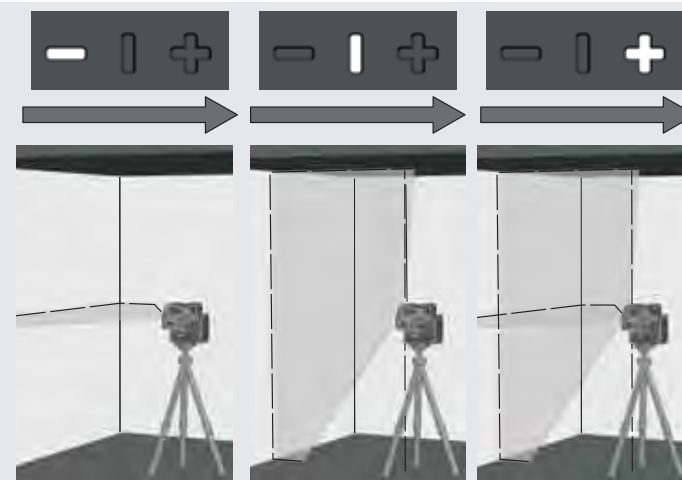
Lāzers līdzīgi kā autonomās līmeņošanas režīmā attēlo 2 lāzera līnijas, kas mirgo ar 8 sekunžu intervālu.

8 sek. 8 sek. 8 sek.



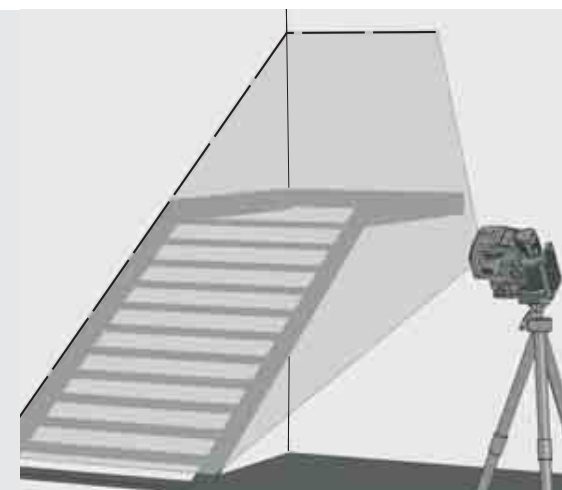
4

Atlasiet vēlamās līnijas ar taustiņu.



5

Ar statīvu iestatiet vēlamo lāzera augstumu un slīpumu.



6

Lai izietu no manuālā režīma,

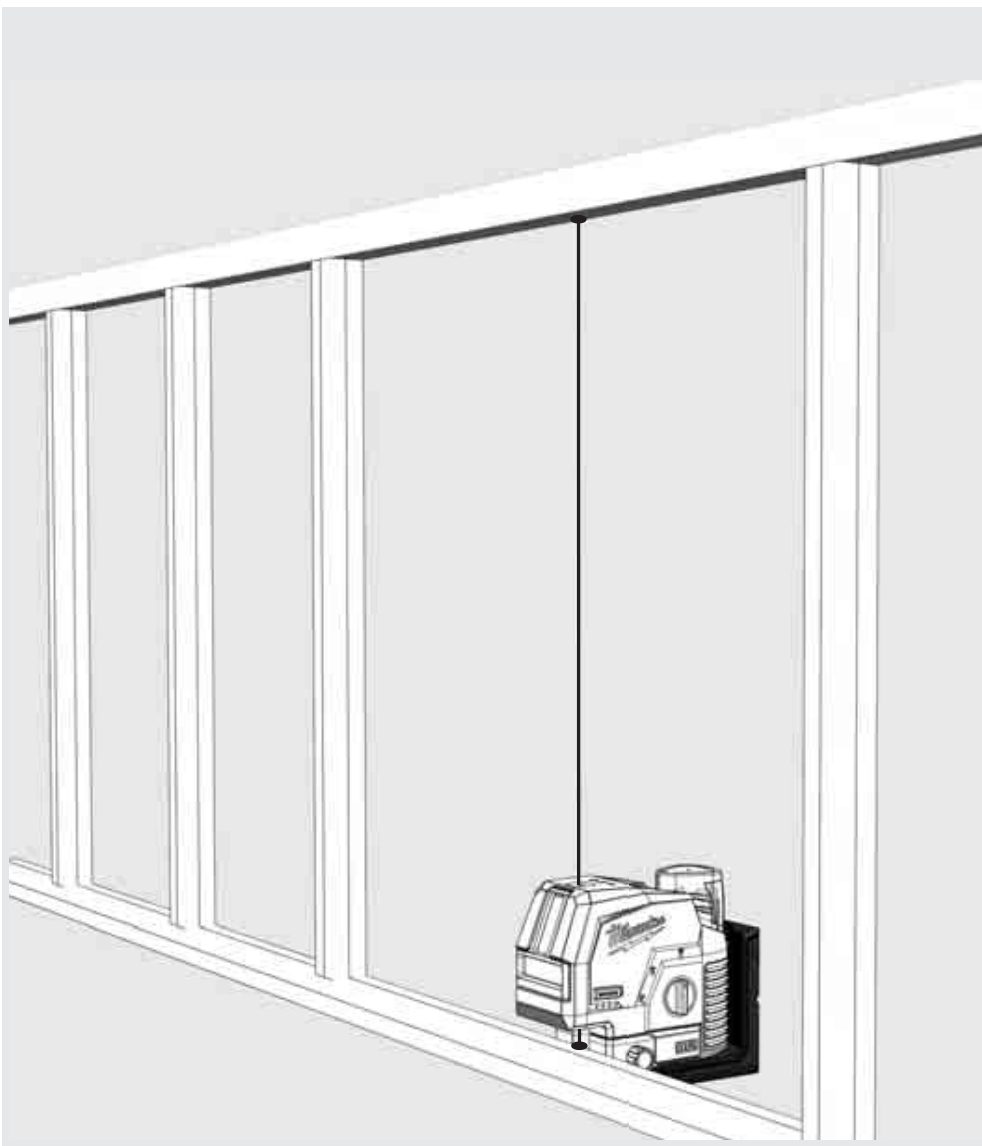
Pagrieziet daudzfunkcionālo slēdzi pozīcijā: **ON** vai pagrieziet daudzfunkcionālo slēdzi pozīcijā: **OFF**.



ĀTSVARA FUNKCIJA

Ar atsvara funkciju uz grīdas atzīmēto punktu var precīzi attēlot uz griestiem.

Atsvara funkciju lieto, piemēram, lai pārnestu apgaismojuma un ventilācijas instalācijas punkta kā arī augstuma pārnesei.

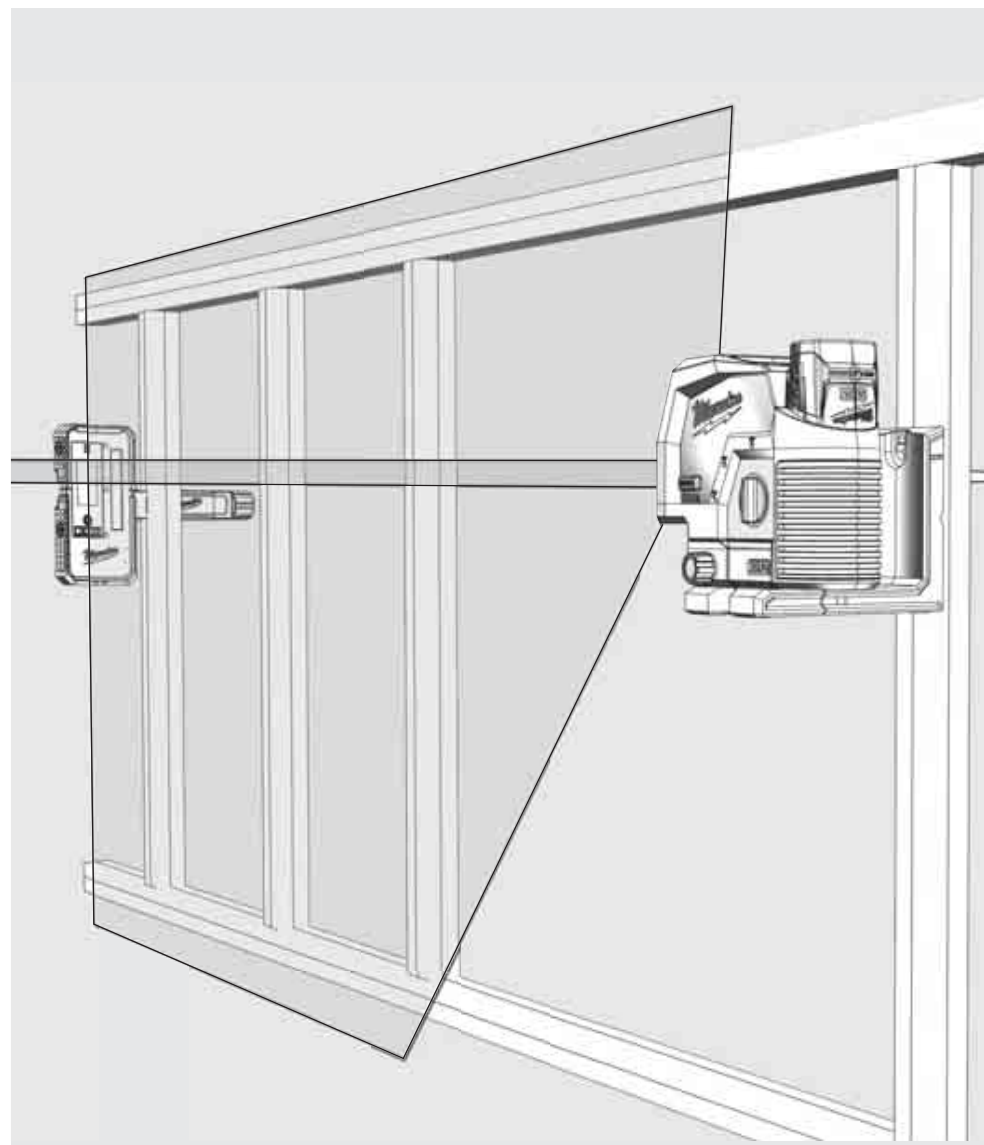


DETEKTORS

Āra darbiem tiešos saules staros vai gaišos apstākļos un plašākiem iekštelpu diapazoniem līdz 50 metriem izmantojiet Milvoki detektoru.

Detektors nav iekļauts piegādes komplektā un to jāiegādājas atsevišķi.

Plašāku informāciju par detektora lietošanu skatiet tā lietošanas pamācībā.



Lāzers ir pilnībā nokalibrēts rūpnīcā. Milwaukee iesaka regulāri veikt lāzera precizitātes pārbaudi, jo īpaši pēc kritiena vai nepareizas apkalpošanas.

Ja precizitātes pārbaudes laikā tiek pārsniegta maksimālā nobīde, lūdzu, griezties kādā no mūsu Milwaukee servisa centriem (skatiet sarakstu ar garantijas nosacījumiem un servisa centru adresēm).

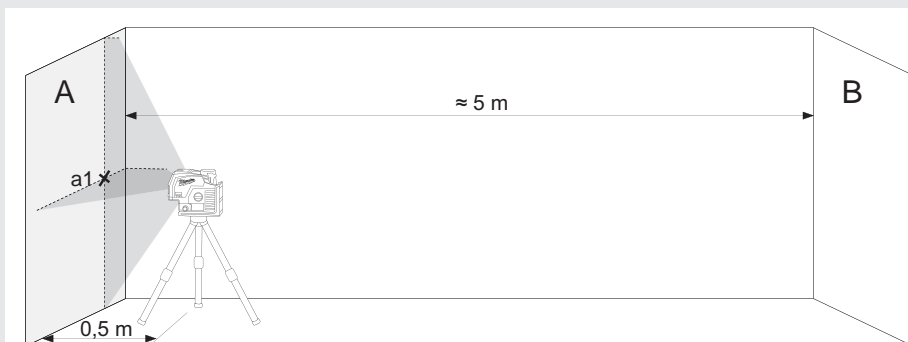
1. Pārbaudiet horizontālās līnijas augstuma precizitāti.
2. Pārbaudiet horizontālās līnijas nolīmeņojuma precizitāti.
3. Pārbaudiet vertikālās līnijas nolīmeņojuma precizitāti.
4. Pārbaudiet atsvara punkta precizitāti.

Pirms veikt uz statīva uzmontēta lāzera precizitāti, pārbaudiet statīva līmeni.

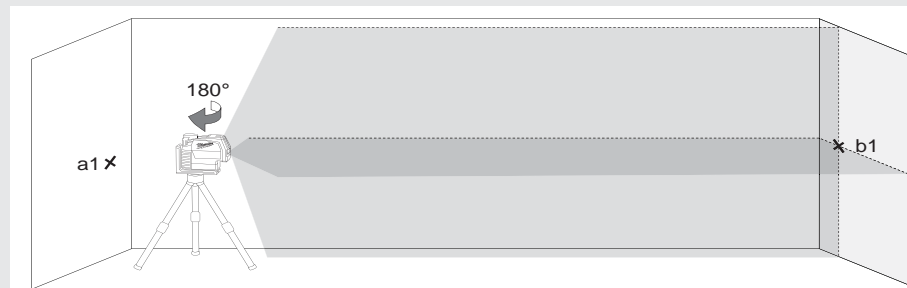


1 PĀRBAUDE – HORIZONTĀLĀS LĪNIJAS AUGSTUMA PRECIZITĀTE (NOVIRZE AUGŠUP UN LEJUP)

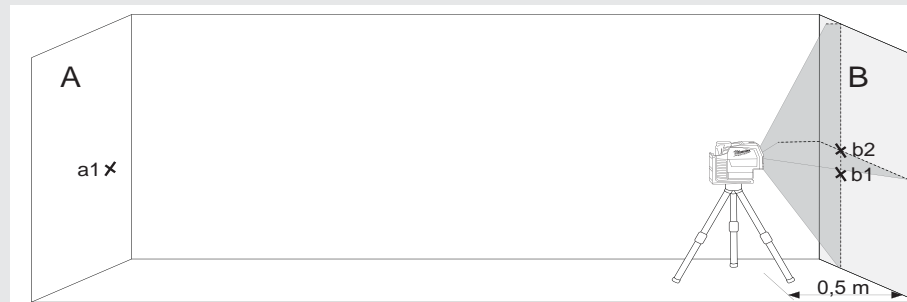
1. Novietojiet lāzeru uz statīva vai līdzenas pamatnes starp divām apm. 5 m savstarpēji attālinātām sienām A un B.
2. Novietojiet lāzeru apm. 0,5 m attālu no sienas A.
3. Ieslēdziet autonomās līmeņošanas režīmu un nospiediet taustiņu, lai uz sienas A projicētu horizontālo un vertikālo līniju.
4. Atzīmējiet abu līniju krustpunktu uz sienas A kā punktu a1.



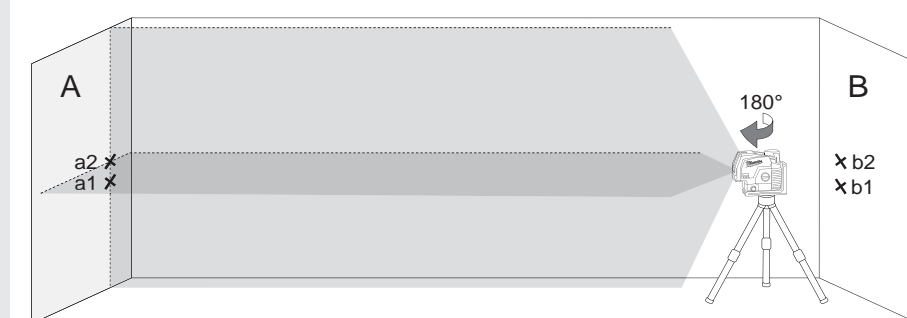
5. Pagrieziet lāzeru par 180° sienas B virzienā un atzīmējiet abu līniju krustpunktu uz sienas B kā punktu b1.



6. Novietojiet lāzeru apm. 0,5 m attālu no sienas B.
7. Atzīmējiet abu līniju krustpunktu uz sienas B kā b2.



8. Pagrieziet lāzeru par 180° sienas A virzienā un atzīmējiet abu līniju krustpunktu uz sienas A kā punktu a2.



9. Izmēriet attālumus:

$$\Delta a = |a2 - a1|$$

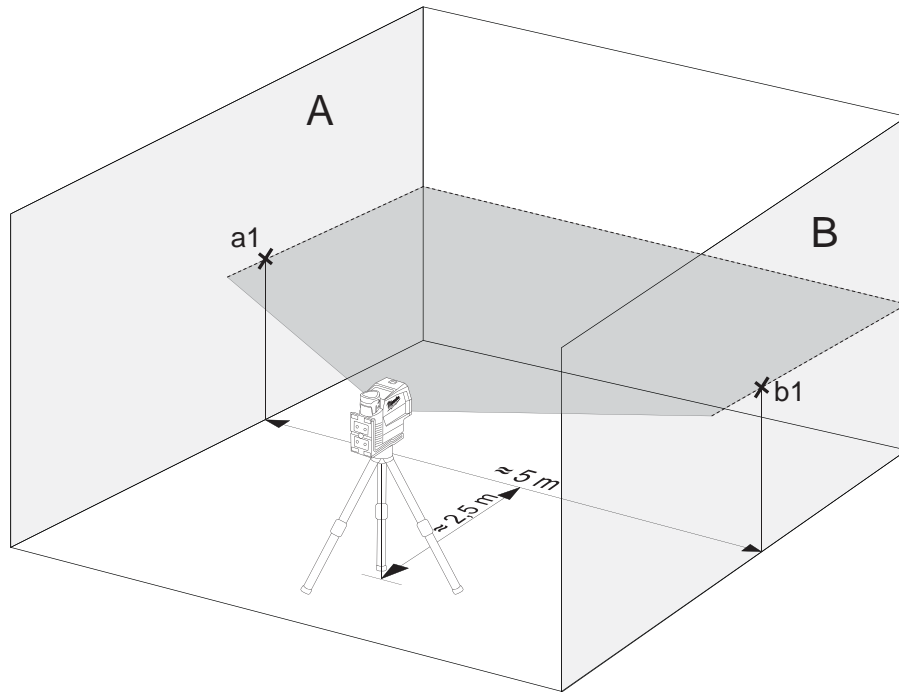
$$\Delta b = |b1 - b2|$$

10. Starpība $|\Delta a - \Delta b|$ nedrīkst pārsniegt 2 mm.

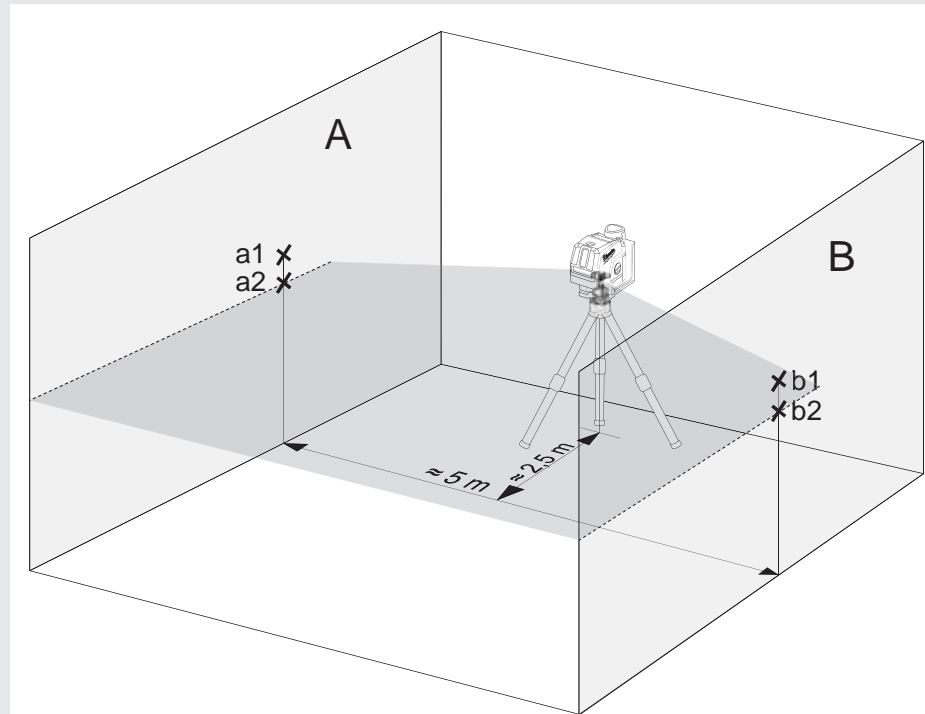
2 PĀRBAUDE – HORIZONTĀLĀS LĪNIJAS NOLĪMENOJUMA PRECIZITĀTE (VIENAS PUSES NOBĪDE ATTIECĪBĀ PRET OTRU)

Šai pārbaudei nepieciešama apm. 5 x 5 m virsma.

1. Novietojiet lāzeru uz statīva vai cietas pamatnes starp divām apm. 5 m savstarpēji attālinātām sienām A un B.
2. Novietojiet lāzeru apm. 2,5 m attālumā no telpas vidus.
3. Ieslēdziet autonomās līmeņošanas režīmu un nospiediet taustiņu, lai uz sienām A un B projicētu horizontālu līniju.
4. Atzīmējiet lāzera līnijas viduspunktu uz sienas ar a1 un uz sienas B ar b1.



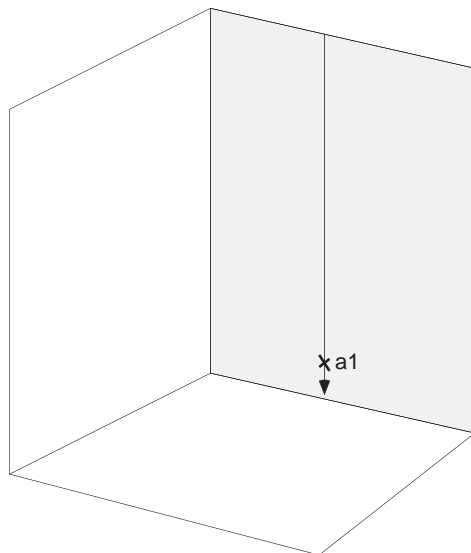
5. Pārvietojiet lāzeru par apm. 5 m, pagrieziet par 180° un atkārtoti projicējiet horizontālo līniju uz sienām A un B.
6. Atzīmējiet lāzera līnijas viduspunktu uz sienas ar a2 un uz sienas B ar b2.



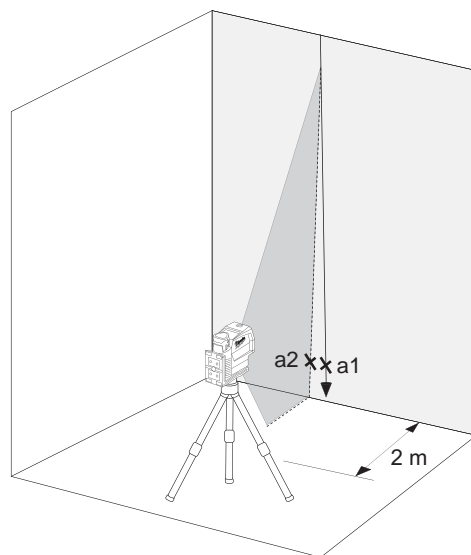
7. Izmēriet attālumus:
 $\Delta a = |a2 - a1|$
 $\Delta b = |b1 - b2|$
8. Starpība $|\Delta a - \Delta b|$ nedrīkst pārsniegt 2 mm.

3 PĀRBAUDE – VERTIKĀLĀS LĪNIJAS NOLĪMEŅOJUMS

1. Piekariet pie vienas sienas apm. 4 m garu atsvaru.
2. Brīdī, kad atsvars ir apstājies, atzīmējiet uz sienas un virs atsvara punktu a1.



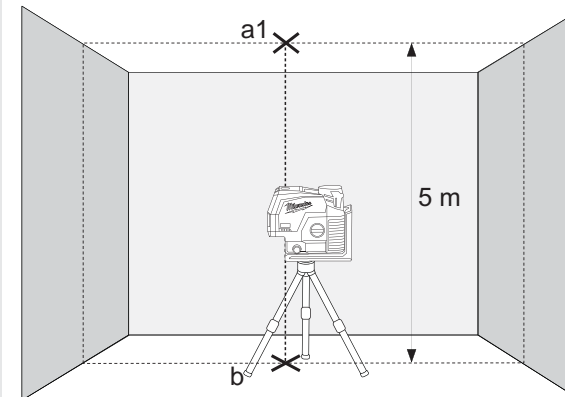
3. Novietojiet lāzeru uz statīva vai līdzenas pamatnes apm. 2 m attālu no sienas.
4. Ieslēdziet autonomās līmeņošanas režīmu un nospiediet taustiņu, lai uz atsvara auklas projicētu vertikālo līniju.
5. Pagrieziet lāzeru tā, lai vertikālā Līnija atbilst iekārtajai atsvara auklai.
6. Atzīmējiet punktu a2 uz sienas vertikālās līnijas vidusdaļā punkta a1 augstumā.
7. Attālums starp a1 un a2 nedrīkst pārsniegt 1 mm.



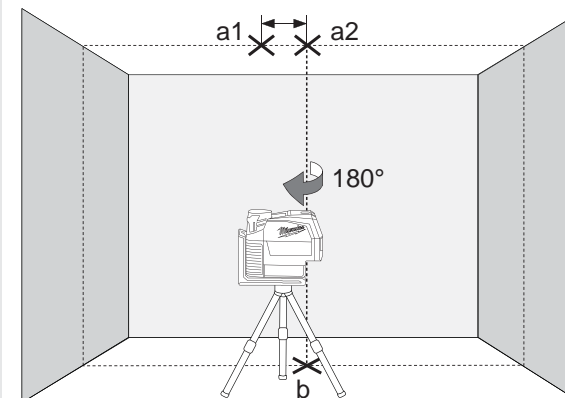
4 PĀRBAUDE – ATSVARA PUNKTA PRECIZITĀTE

Šai pārbaudei nepieciešama telpa ar vismaz 5 m augstiem griestiem.

1. Uz statīva uzstādi krustenisko lāzeru.
2. Ieslēdziet pašlīdzojošo režīmu un nospiediet spiedpogu, lai pārslēgtos uz birst funkciju.
3. Atzīmējiet augšējo griestu punktu uz griestiem kā punktu a1 (skat. Attēlu).
4. Kā punktu b atzīmējiet apakšējo apakšējo punkteida punktu uz grīdas.



5. Pagrieziet lāzeru par 180° un novietojiet tā, lai atsvara punkta centrs atbilstu jau atzīmētajam punktam b un gaidiet, līdz iekārta ir nolīmeņojusies.
6. Atzīmējiet augšējo griestu punktu uz griestiem kā punktu a1 (skat. Attēlu).
7. Griestu attālums starp punktiem a1 un a2 norāda lāzera līnijas nobīdi no ideālās atsvara pozīcijas. 5 m mērījuma attāluma gadījumā maksimālā pieļaujamā nobīde: $5 \text{ m} \times (\pm 0,6 \text{ mm/m}) \times 2 = \pm 6 \text{ mm}$.
8. Attālums starp a1 un a2 nedrīkst pārsniegt 6 mm.



TURINYS

Svarbios saugumo instrukcijos	241
Techninis Aptarnavimas	242
Techniniai duomenys	242
Naudojimas pagal paskirtį	242
Apžvalga	243
Įranga	244
Pakeisti akumuliatorių	244
Baterijos talpos indikatorius	245
Mažo akumuliatoriaus indikatorius	245
Lubų montavimas	245
Sieninis laikiklis ir žalia tikslo plokštė	246
Darbas automatinio niveliavimo režimu	247
Darbas rankiniu režimu	248
Svambalo funkcija	249
Detektorius	249
Tikslumo tikrinimas	250

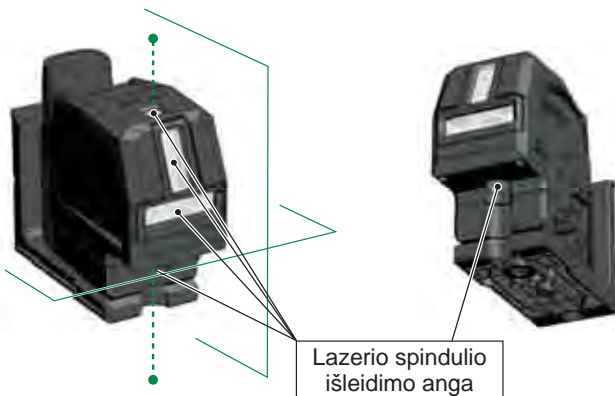
SVARBIOS SAUGUMO INSTRUKCIJOS



DĖMESIO! ĮSPĖJIMAS! PAVOJUS!

Nenaudokite produkto, jei neperskai- tėte saugumo instrukcijų ir vartotojui skirtos eksploatacijos vadovo.

Lazerio klasifikavimas



ĮSPĖJIMAS:

Tai 2-osios klasės lazerinis produktas, kuriam taikomi EN60825-1:2014 saugumo reikalavimai.



Įspėjimas:

nežiūrėkite tiesiai į lazerio spindulį. Lazerio spindulys gali sukelti sunkius akių sužeidimus ir (arba) apakimą.

Nežiūrėkite tiesiai į lazerio spindulį ir be reikalo nenukreipkite jo į kitus asmenis.

Atsargiai! Kai kuriais atvejais už jūsų gali būti lazerinių spinduliuojančių prietaisų. Tokiu atveju atsargiai apsisukite.

Įspėjimas:

Nenaudokite lazerio šalia vaikų, neleiskite vaikams naudoti lazerio.

Dėmesio! Atspindintis paviršius gali nukreipti lazerio spindulį atgal į vartotoją arba kitus asmenis.

Įspėjimas. Kitokių nei vadove nustatytų valdymo elementų, nustatymų naudojimas ar procesų taikymas gali sukelti pavojingą apšvitą.

Jei lazerinį nivelyrą pernešate iš labai šaltos aplinkos į šiltą (arba atvirkščiai), prietaisas turi pasiekti aplinkos temperatūrą.

Lazerinio nivelyro nelaikykite lauke ir saugokite jį nuo smūgių, nuolatinių vibracijų ir ekstremalių temperatūrų.

Lazerinį matavimo prietaisą saugokite nuo dulkių, drėgmės ir didelės oro drėgmės. Tai gali pažeisti vidines konstrukcines dalis arba turėti įtakos matavimų netikslumui.

Jei lazerio spindulys nukreiptas į akį, užsimerkite ir tuoj pat nusisukite nuo spindulio.

Lazerio spindulį nukreipkite taip, kad jis neakintų jūsų paties arba kitų asmenų.

Į lazerio spindulį nežiūrėkite naudodamiesi optiniais padidinimo prietaisais, pvz., binokliais arba teleskopais. Priešingu atveju gresia sunkūs regos pažeidimai.

Atminkite, kad lazerio spindulio matymo akiniai padeda geriau matyti lazerio liniją, bet neapsaugo akių nuo lazerio spinduliuotės.

Draudžiama nuo lazerinio nivelyro nuimti arba padaryti nematomais įspėjamuosius ženklus.

Lazerinio nivelyro neardykite. Lazerio spinduliuotė gali sukelti stiprius regos sužeidimus.

Prieš gabendami lazerinį nivelyrą įsitikinkite, kad užfiksuotas švytuoklinis fiksavimo įrenginys.

Pastaba: jei švytuoklinis fiksavimo įrenginys neužfiksuotas, gali būti sugadinta vidinė prietaiso konstrukcija.

Nenaudokite agresyvių valiklių ar tirpiklių. Valykite tik švaria, minkšta šluoste.

Lazerinį nivelyrą saugokite nuo stiprių smūgių ir kritimo. Nukritus arba įvykus stipriems mechaniniams poveikiams, prieš naudodami patikrinkite prietaiso tikslumą.

Būtinus šio lazerinio prietaiso remonto darbus gali atlikti tik įgaliotas kvalifikuotas personalas.

Neekspluatuokite produkto sprogioje ar agresyvioje aplinkoje.

Jei ketinate prietaiso nenaudoti ilgiau, iš baterijų skyriaus išimkite baterijas. Taip apsisaugosite nuo baterijų ištekėjimo ir dėl to patiriamos korozijos žalos.



Išsikrovusias baterijas draudžiama išmesti su buitinėmis atliekomis. Rūpinkitės aplinka ir nuneškite jas į surinkimo punktą, vadovaudamiesi valstybiniais arba vietiniais nuostatais.

Produktą draudžiama išmesti su buitinėmis atliekomis. Produktą utilizuokite adovaudamiesi šalyje galiojančiais nuostatais. Laikykites valstybinių ir regioninių nuostatų. Jei norite gauti detalesnę informaciją apie utilizavimą, kreipkitės į vietos įstaigą arba į savo prekybos atstovą.

CE Europos atitikties ženklas

TECHNINIS APTARNAVIMAS

Lazerinio nivelyro objektyvą ir korpusą valykite tik minkšta, sausa šluoste. Nenaudokite tirpiklių. Nepaisant to, kad lazerinis nivelyras yra atsparus dulkei ir ganėtinai atsparus užterštumui, neturėtumėte jo ilgai laikyti dulkejoje aplinkoje, nes taip gali būti sugadintos viduje esančios judančios dalys.

Jei į lazerinį nivelyrą įsiskverbė drėgmė, prieš įdėdami jį į nešiojamąjį dėklą pirmiausiai išdžiovinkite, kad išvengtumėte rūdžių sukeltos žalos.

TECHNINIAI DUOMENYS

Lazerio klasė	2
Automatinio niveliavimo diapazonas	± 4°
Automatinio niveliavimo trukmė	3 s
Baterijos tipas	Li-Ion
Įtampa DC	12V ---
Apsaugos klasė (vandens purslai ir dulės)	IP54*
Maks. aukštis	2000 m
Maks. santykinis oro drėgnis	80%
Užterštumo laipsnis pagal IEC 61010-1	2**
Impulso trukmė tP	≤ 80 μs
Funkcijos	horizontali linija, vertikali linija, kryžminės linijos, svambalo funkcija (2 taškai)
Dažniu	10 kHz
Projekcijos	2 žalios linijos, 2 taškai žali
Diodo kiekis	2
Diodo tipas	30 mW
Lazerio linijos išėjimo schema	Pavieniai horizontalūs, vienas vertikalus + 2 slenksčio taškai aukštyn ir žemyn, skersinė linija + 2 slenksčio taškai (aukštyn ir žemyn).
Veikimo trukmė	15 valandos su keičiamu akumuliatoriumi M12 3.0 Ah
Trikojo sriegis	1/4" / 5/8"
Pritaikytas detektorius	Milwaukee LLD50

Lazerio linija	Plotis < 9,53mm @ 30m Bangos ilgis 510 - 530 nm II lazerių klasė Maksimali galia ≤ 7 mW Tikslumas +/- 3 mm / 10 m Aprėpties kampas vertikali linija > 120°; horizontali linija > 114° Spalva žalia Veikimo nuotolis 38 m (su detektoriumi 50 m)
Svambalo taškas	Lazerio taško bangos ilgis 510 - 530 nm II lazerių klasė Maks. lazerio taško galia < 1 mW Svambalo tikslumas +/- 3 mm / 10 m Lazerio taško spalva žalia Veikimo nuotolis 30 m
Rekomenduojama eksploatavimo temperatūra	nuo -10 °C iki +40 °C
Saugojimo temperatūra	nuo -20 °C iki +50 °C
Rekomenduojami akumuliatorių tipai	M12 B...
Matmenys	170 mm x 82 mm x 148 mm
Svoris (su baterijomis)	1205 g

* Ličio jonų akumuliatorius ir akumulatoriaus skyrius nepriklauso IP54.

** Susidaro tik nelaidus užterštumas, tačiau retkarčiais galima tikėtis laikino, kondensato sukkelto laidumo.

NAUDOJIMAS PAGAL PASKIRTĮ

"Prietaisas daugiausiai skirtas naudoti vidaus patalpose. Naudojant lauke reikia atkreipti dėmesį, kad bendrosios sąlygos atitiktų sąlygas vidaus patalpose."

Šis naujoviškas profesionalų lazerinis nivelyras skirtas plačiai naudoti profesionalams:

- plytelėms, marmurinėms plokštėms, spintelėms, apvadams, profiliams ir apdailoms lygiuoti
 - Pagrindinėms linijoms žymėti montuojant duris, langus, turėklus, laiptus, tvoras, vartus, verandas ir pavėšines.
 - Skirtas nustatyti ir tikrinti horizontalias ir vertikalias linijas.
 - Kabamosioms luboms ir vamzdynamics niveliuoti, langams suskirstyti ir vamzdynamics išlygiuoti, elektros instaliacijų išorinėms sienoms niveliuoti
- Šį gaminį leidžiama naudoti tik pagal paskirtį.

Svambalo taškas

Vertikalus lazerio linijos langas

Horizontalios lazerio linijos langas

Režimo mygtukas

Trumpas paspaudimas: Pasirinkite lazerio linijas:

- horizontalus
- vertikalus + slankiosios funkcijos
- kryžminės linijos + slankiosios funkcijos

Ilgas paspaudimas: perjunkite įprastą režimą / energijos taupymo režimą

Šviesos diodo ekranas akumuliatoriaus talpa

20 ° mikroreguliavimas (+/- 10 ° nuo centro)

Svambalo taškas

Trikojo laikiklis 5/8 "

Trikojo laikiklis 1/4 "

LED ekrano lazerio linija

- horizontalus
- vertikalus
- + skersinė linija

M12 Baterija

Horizontaliojo lazerio pluošto žymėjimas

Rotacinė rankenėlė

- OFF Išjungta / užrakinta
- ON Įjungimo / rankinis režimas
- ON Įjungimo / savaiminio niveliavimo režimas

Magnetinis laikiklis

Lubų montavimas



ĮRANGA

Priedai - neįtraukti į standartinę įrangą, tiekiami kaip priedai.

Terminalas LM360



Detektorius LLD50

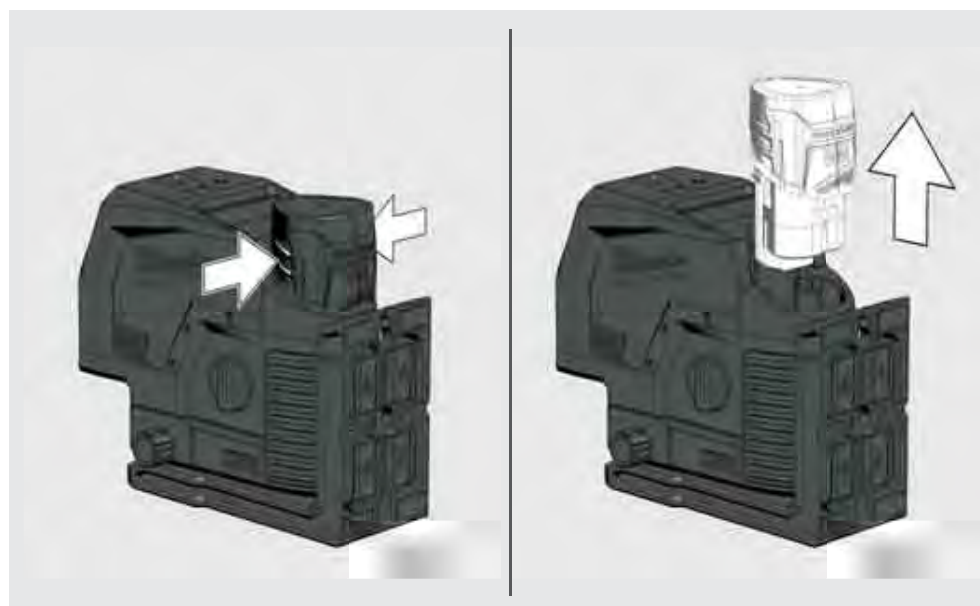
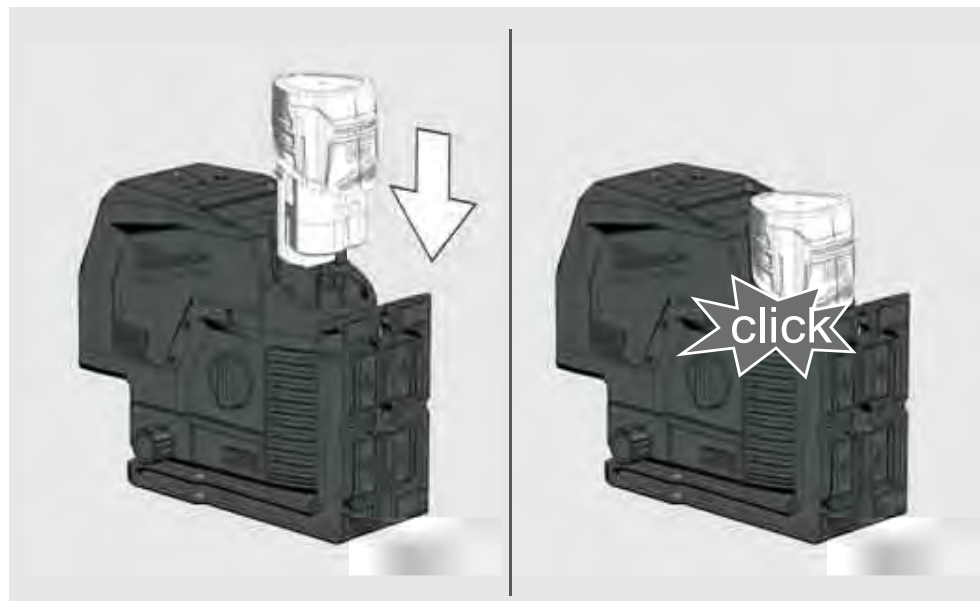


Trikojis TRP180



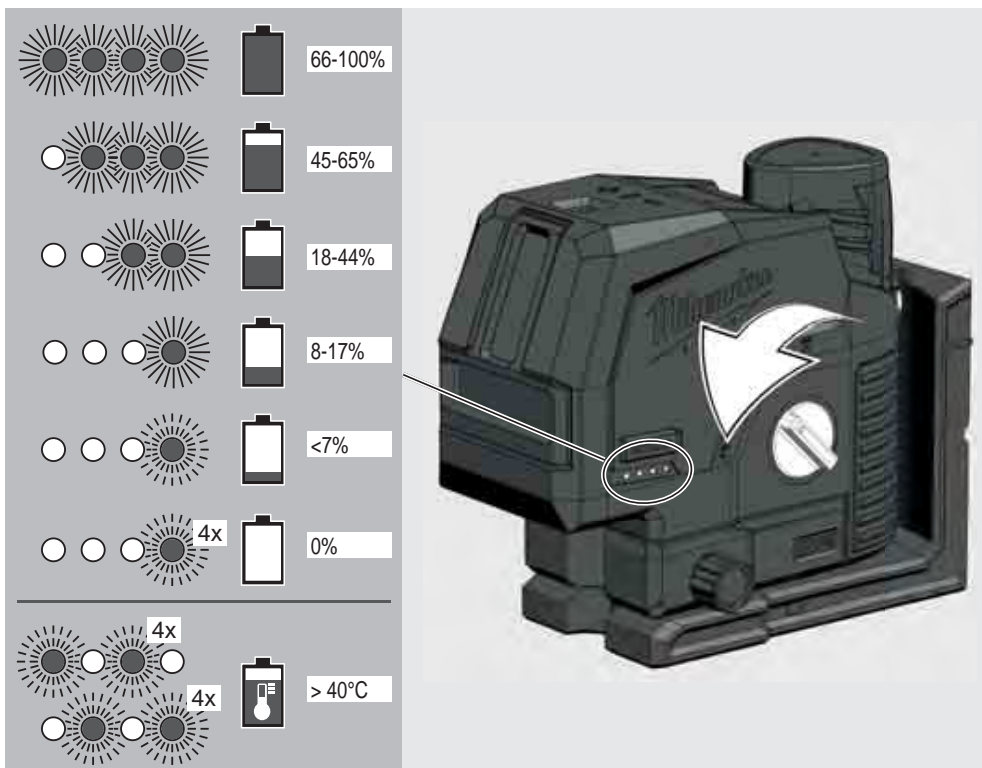
PAKEISTI AKUMULIATORIŲ

Naudokite tik M12 įkraunamą „Milwaukee“ bateriją.



BATERIJOS TALPOS INDIKATORIUS

Ijungus ar išjungus lazerį, kuro matuoklis parodys akumuliatoriaus veikimo laiką.



MAŽO AKUMULIATORIAUS INDIKATORIUS

Kai žema įtampa, lazeris pereina į energijos taupymo režimą.

Lazeris blyksi savaime išsilyginančiu režimu

4 sek. 1 sek.

Lazeris mirksi rankiniu režimu

8 sek. 1 sek.

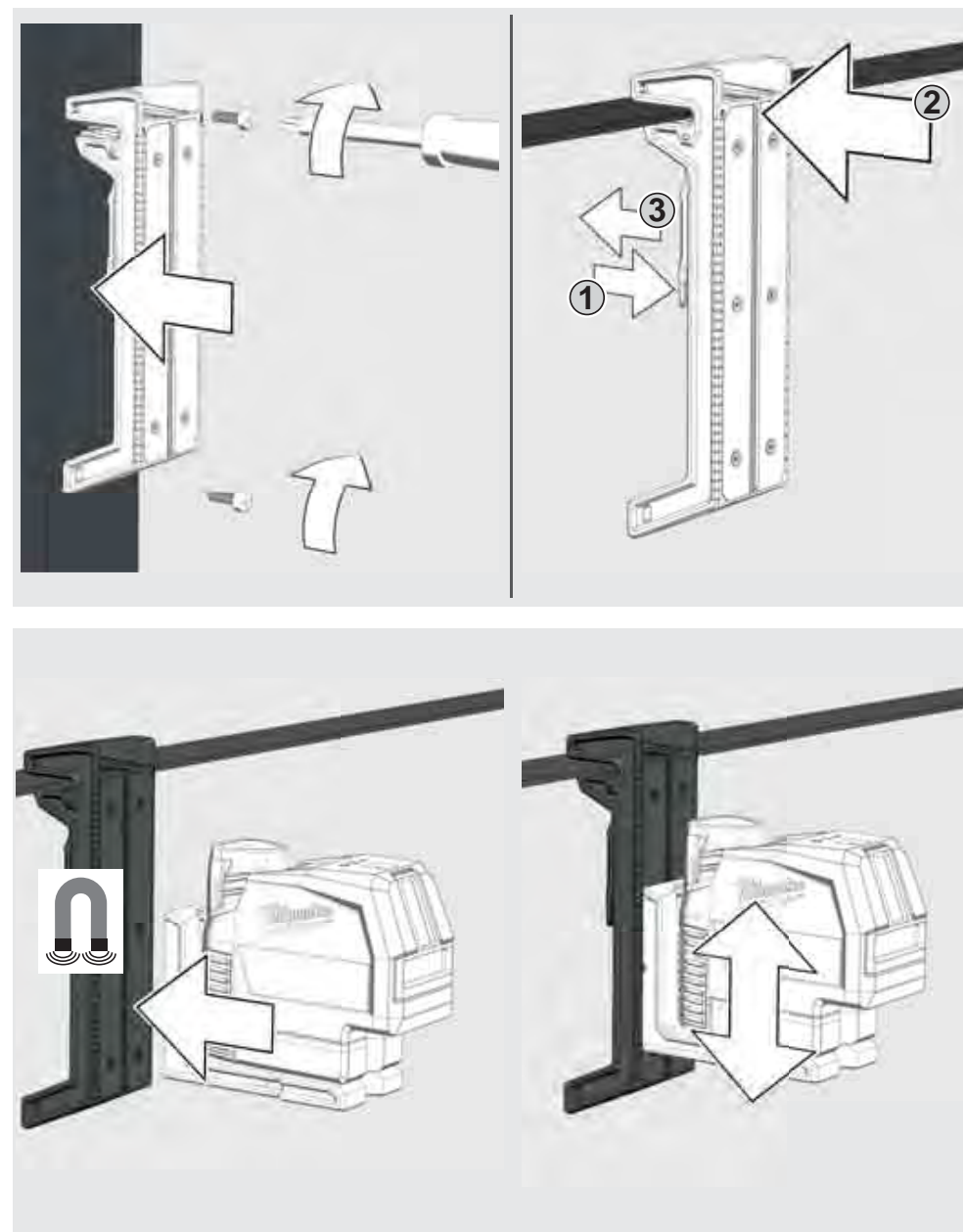
Nuo šiol dar galima tęsti darbus.

Kai įtampa yra maža, lazeris ir šviesos diodas mirksės 4 kartus ir automatiškai išsijungs.

LUBŲ MONTAVIMAS

Pritvirtinkite takelio spaustuką varžtais prie stulpo.

Norėdami pritvirtinti lazerį prie lubų kanalų, stelažų, naudokite lubų laikiklį ...

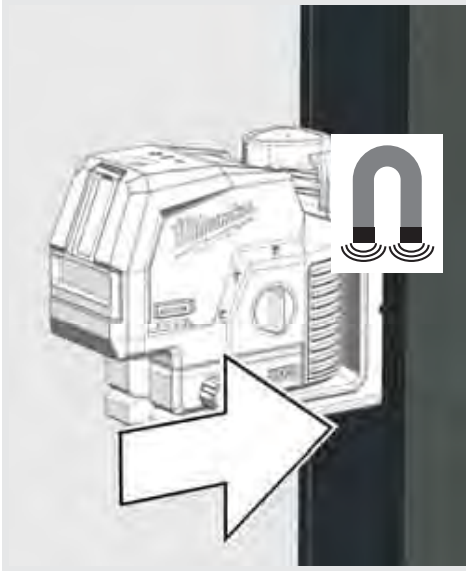


SIENINIS LAIKIKLIS IR ŽALIA TIKSLO PLOKŠTĖ

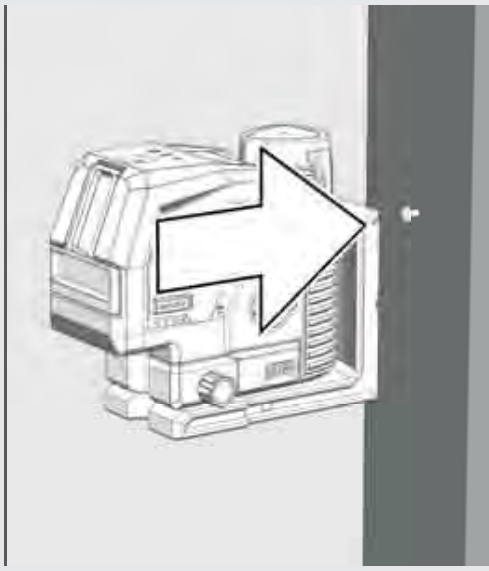
Magnetinis sieninis laikiklis leidžia lazerinį nivelyrą pritvirtinti prie sienų, metalinių konstrukcijų ir kt.

Arba pritvirtinkite varžtu ar viniu ant kolonos.

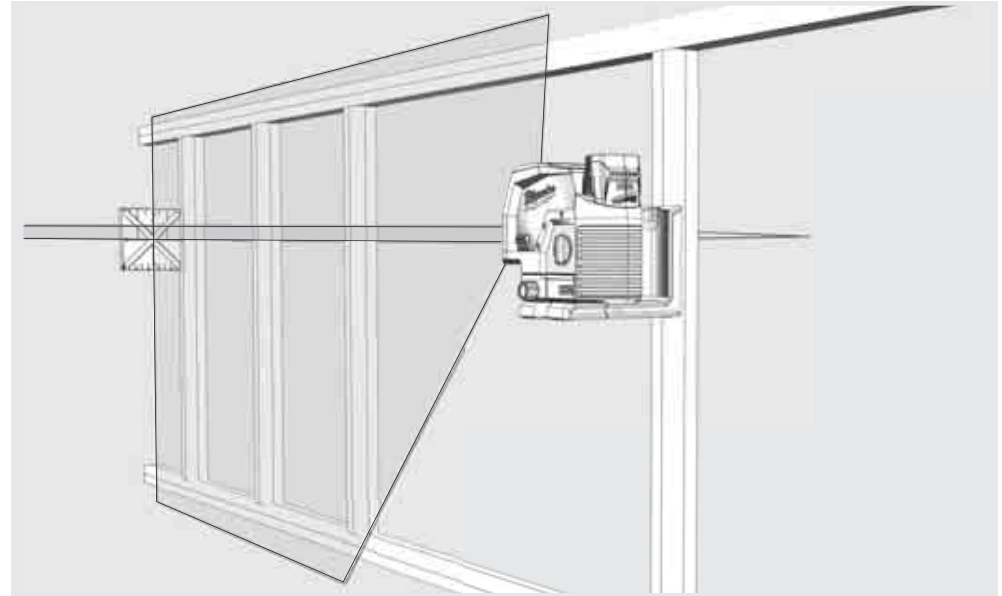
Norėdami pagerinti lazerio spindulio matomumą nepalankiomis sąlygomis ir esant didesniems atstumams, naudokite žalią taikinio plokštę.



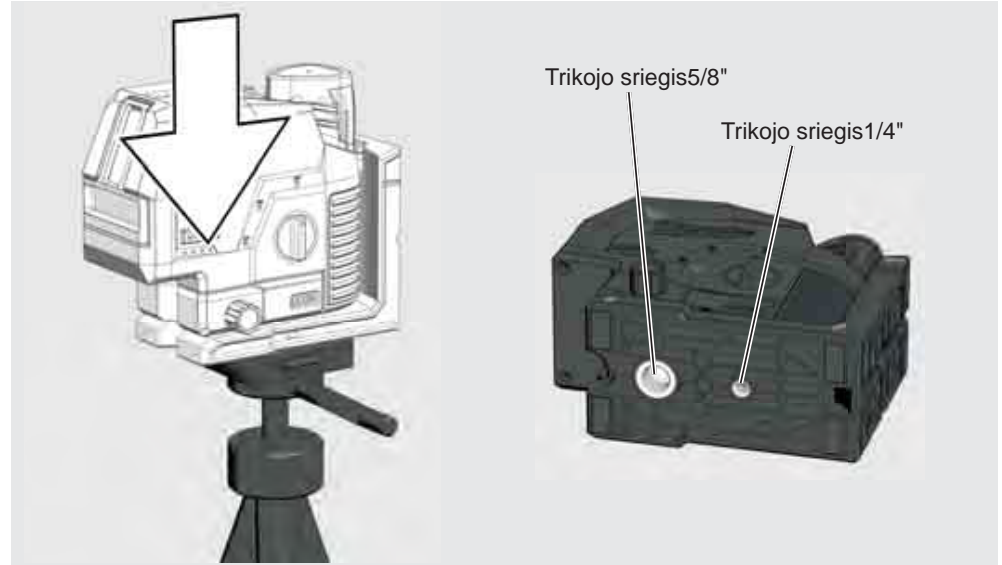
Pasukite lazerį 360 °.



Naudokite reguliavimo rankenėlę 20 ° pasukimo mikro reguliavimui



Norėdami pritvirtinti lazerį ant trikojo, naudokite trikojo laikiklį.



DARBAS AUTOMATINIO NIVELIAVIMO REŽIMU


Automatinio niveliavimo režimu lazerinis nivelyras automatiškai išsilygina $\pm 4^\circ$ diapazone. Suprojektuojama horizontali, vertikali linija arba abi linijos iš karto.

1

Lazerinį nivelyrą pastatykite ant tvirto, lygaus ir nevibruojančio pagrindo arba ant trikojo.



2

Pasukite sukamąjį jungiklį į: 

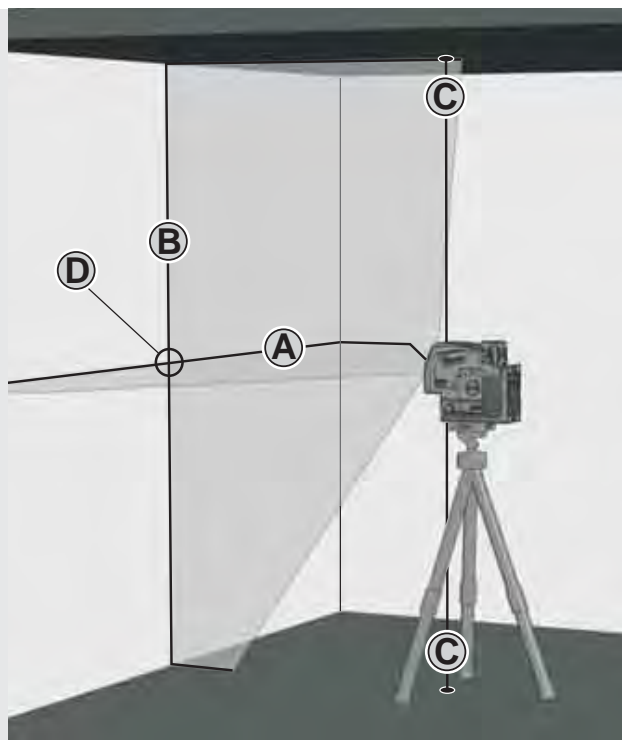


3

Lazerinis nivelyras sukuria 2 lazerio linijas.

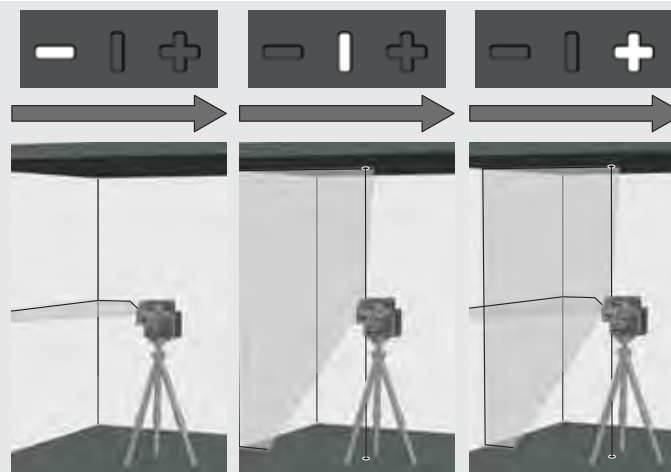
(A) Horizontali linija į priekį
(B) Vertikali linija į priekį
(C) Lazerio taškas

(D) Kai aktyvios visos linijos, lazerinis nivelyras sukuria kryžmines linijas į priekį.



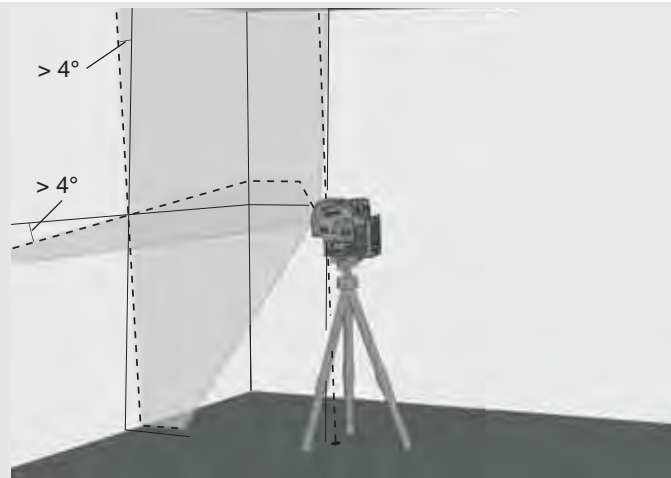
4

pageidaujamas linijas galite pasirinkti mygtuku.




5

Jei lazerinis nivelyras, įjungus automatinį niveliavimą, iš pradžių nenustatytas $\pm 4^\circ$, mirksi lazerio linijos. - - - - . Tokiu atveju, lazerinį nivelyrą pastatykite iš naujo.



6

Prieš judindami lazerį, pasukite sukamąjį jungiklį į padėtį **OFF** . Taip bus užfiksuota švytuoklė ir apsaugomas lazerinis nivelyras.



DARBAS RANKINIU REŽIMU

Dirbant rankiniu režimu, automatinis niveliavimas išjungtas, o lazerio linijos gali būti nustatytos bet kokių posvyrių.

1

Lazerinį nivelyrą pastatykite ant tvirto, lygaus ir nevibruojančio pagrindo arba ant trikojo.



2

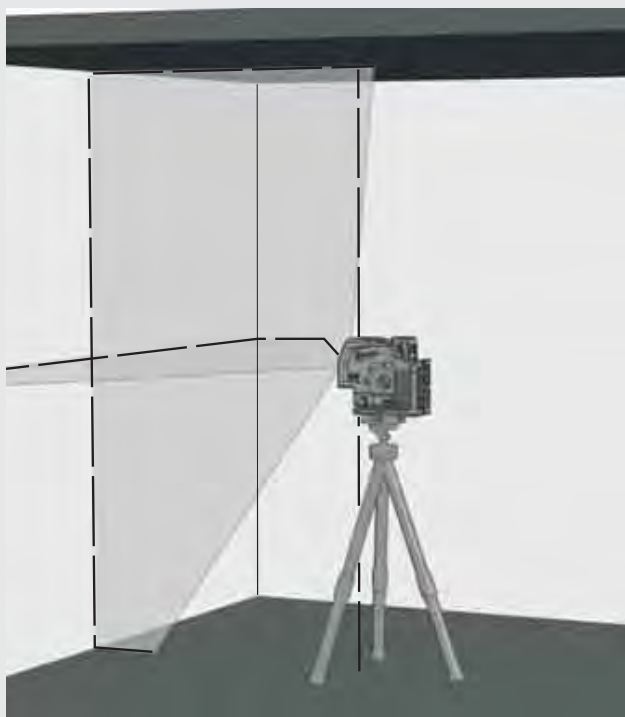
Pasukite sukamąjį jungiklį į: **ON**.



3

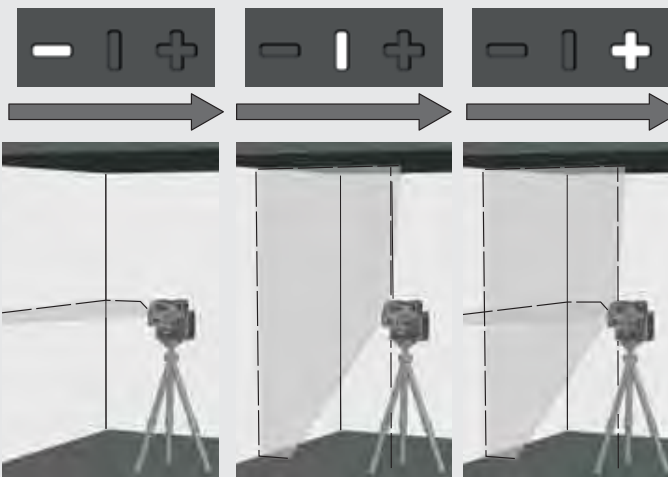
Kaip ir automatinio niveliavimo režimu, lazerinis nivelyras sukuria 2 lazerio linijas, kurios pertraukiamos kas 8 sekundes.

8 sek. 8 sek. 8 sek.



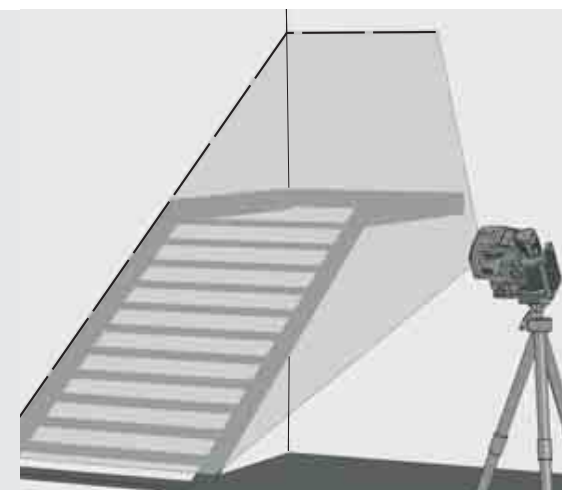
4

pageidaujamas linijas galite pasirinkti mygtuku.



5

Naudodami trikojį, lazerinį nivelyrą nustatykite į pageidaujamą aukštį ir posvyrį.



6

Norėdami išeiti iš rankinio režimo,

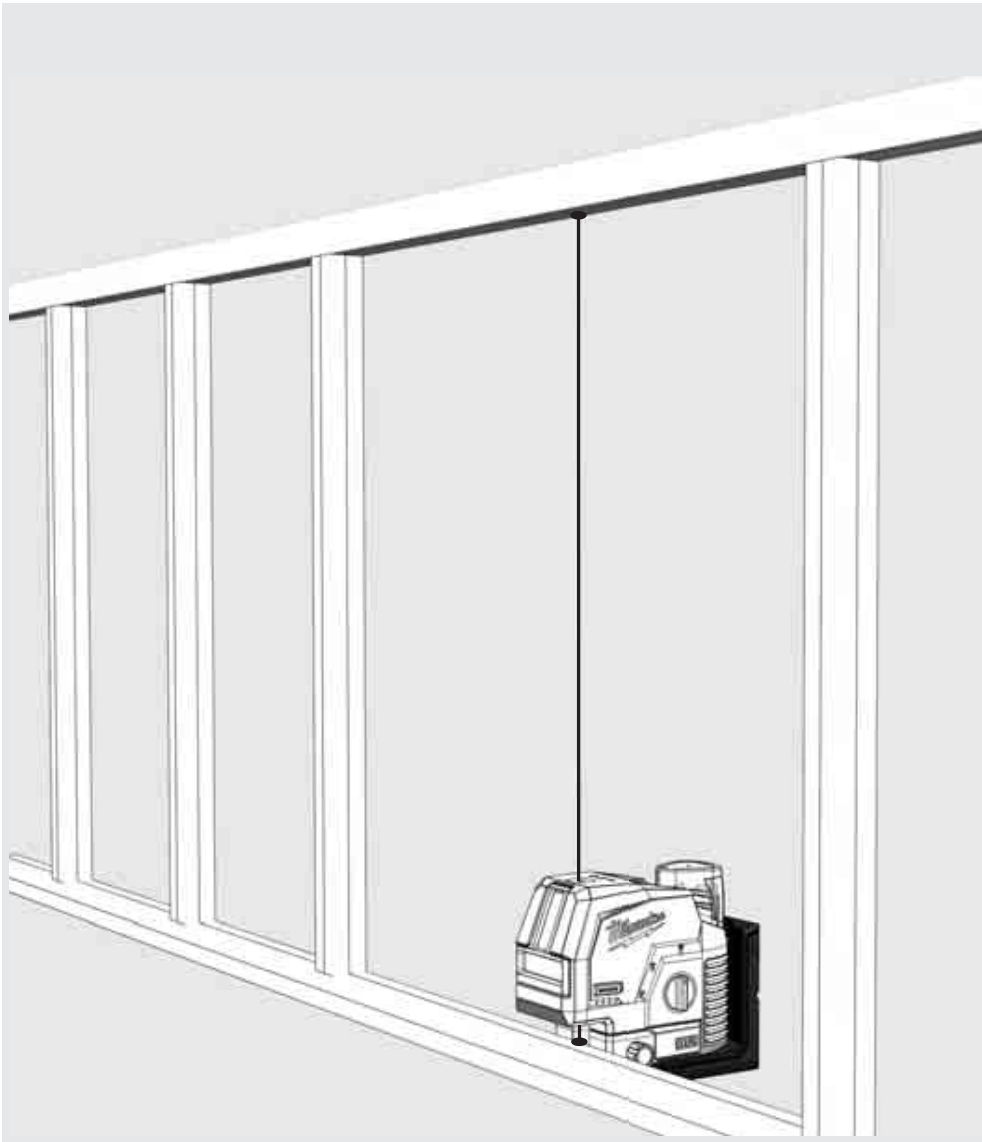
Pasukite sukamąjį jungiklį į: **ON** arba

pasukite sukamąjį jungiklį į padėtį: **OFF**.



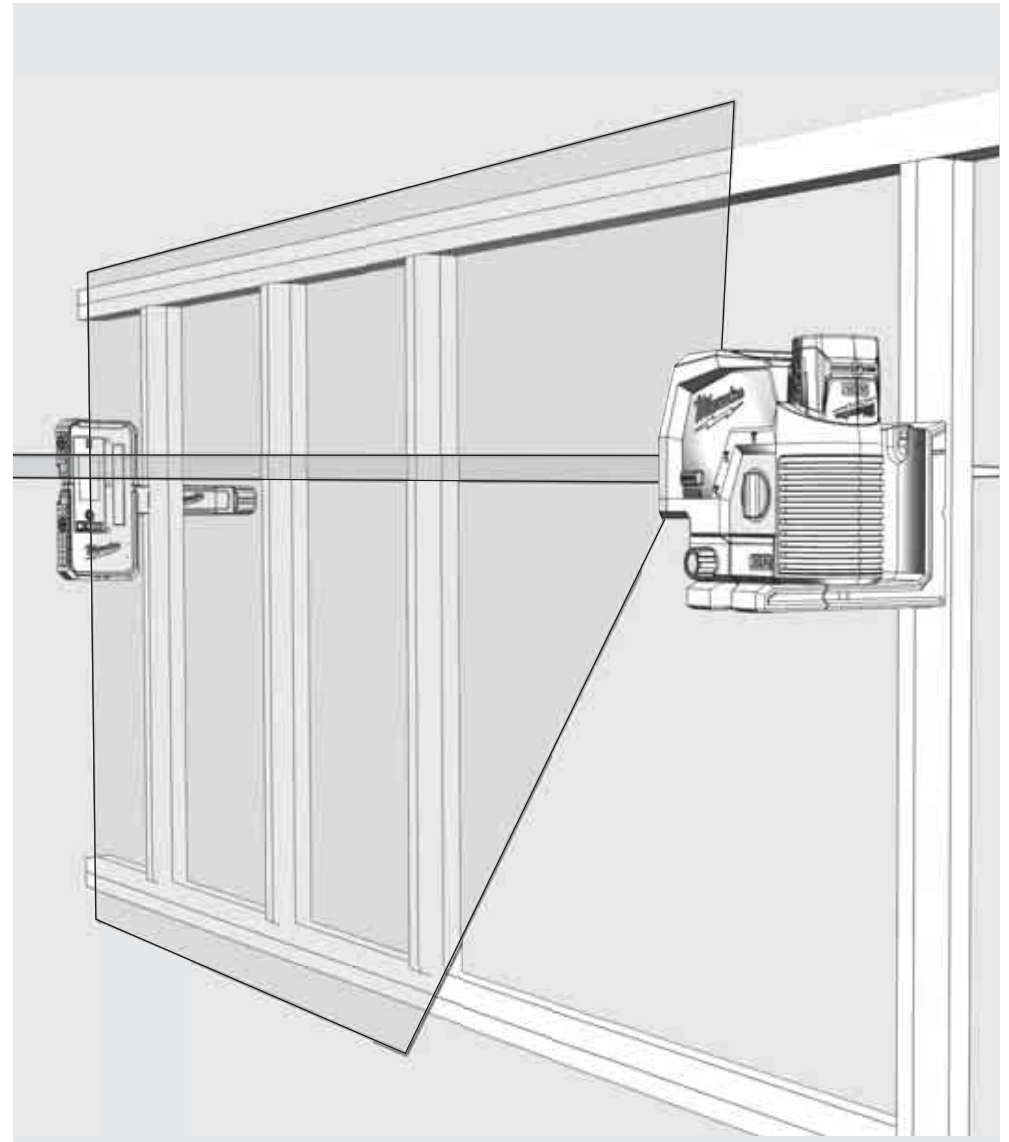
SVAMBALO FUNKCIJA

Naudodami svambalo funkciją galite suprojektuoti svambalo tašką tarp grindų ir lubų. Svambalo funkcija naudinga tuomet, kai pavyzdžiui, reikia sukurti atskaitos tašką apšvietimo ar ventiliacijos įrengimui arba nustatyti aukščius.



DETEKTORIUS

Dirbdami lauke esant tiesioginiams saulės spinduliams ar šviesioms sąlygoms ir praplečiant patalpų diapazoną iki 50 metrų, naudokite Milvokio detektorių. Detektoriaus komplekte nėra, jį turite įsigyti atskirai. Daugiau informacijos apie detektoriaus naudojimą rasite detektoriaus naudojimo instrukcijoje.



Lazeris sukalibruotas gamykloje. Milwaukee rekomenduoja reguliariai tikrinti lazerinio nivelyro tikslumą, ypač jam nukritus arba jeigu jis buvo netinkamai naudotas.

Jei tikrinant tikslumą viršijamas didžiausias leistinas nuokrypis, kreipkitės į mūsų Milwaukee klientų aptarnavimo tarnybą (žr. sąrašą su garantinio aptarnavimo sąlygomis ir klientų aptarnavimo tarnybų adresais).

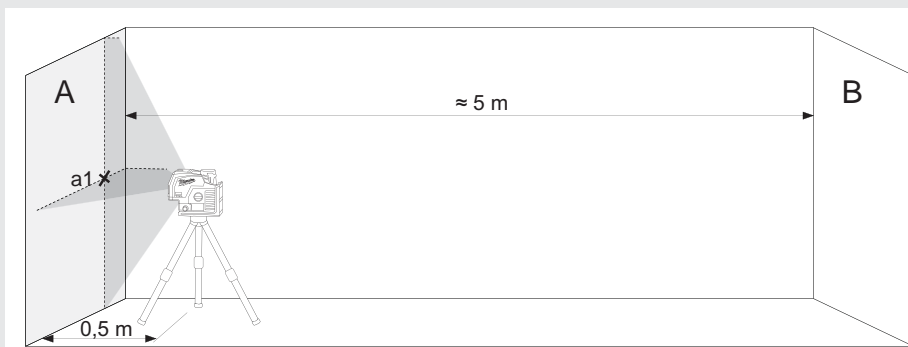
1. Patikrinkite horizontalios linijos aukščio tikslumą.
2. Patikrinkite horizontalios linijos niveliavimą.
3. Patikrinkite vertikalios linijos niveliavimą.
4. Patikrinkite svambalo tikslumą.

Prieš tikrindami ant trikojo sumontuoto lazerinio nivelyro tikslumą, patikrinkite trikojo niveliavimą.

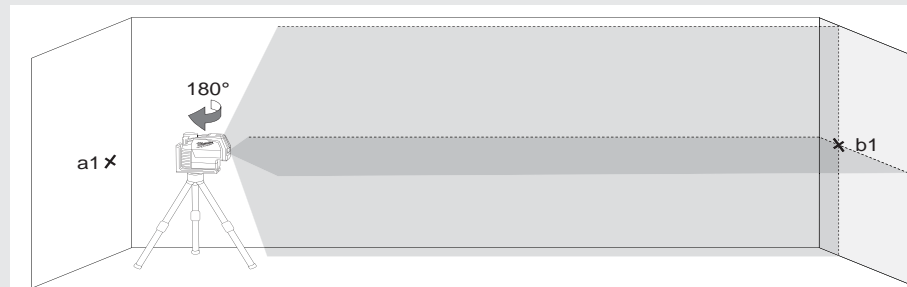


1 HORIZONTALIOS LINIJOS AUKŠČIO TIKSLUMO PATIKRA (NUOKRYPIS Į VIRŠŲ IR Į APAČIĄ)

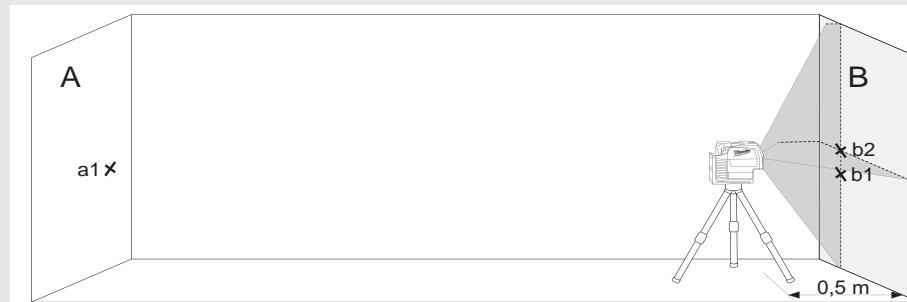
1. Lazerinį nivelyrą pastatykite ant trikojo arba lygaus pagrindo tarp dviejų maždaug 5 m viena nuo kitos nutolusių A ir B sienų.
2. Lazerinį nivelyrą pastatykite maždaug 0,5 m atstumu nuo sienos A.
3. Įjunkite automatinio niveliavimo režimą ir paspauskite mygtuką, kad ant sienos A būtų suprojektuotos horizontalios ir vertikalios linijos.
4. Ant sienos A pažymėkite abiejų linijų susikirtimo tašką a1.



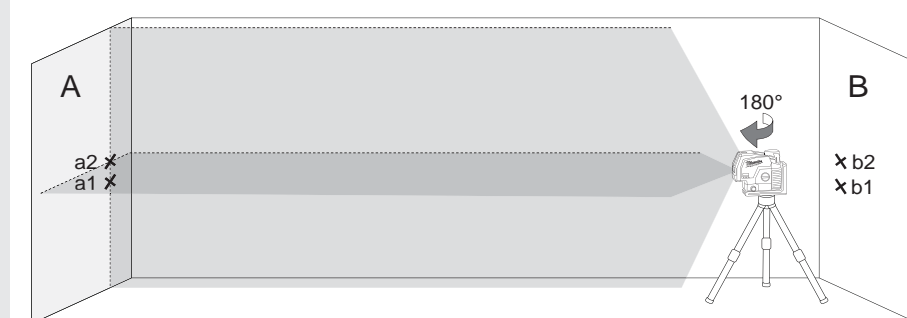
5. Lazerinį nivelyrą pasukite 180° kampu į sieną B ir ant jos pažymėkite abiejų linijų susikirtimo tašką b1.



6. Lazerinį nivelyrą pastatykite maždaug 0,5 m atstumu nuo sienos B.
7. Ant sienos B pažymėkite abiejų linijų susikirtimo tašką b2.



8. Lazerinį nivelyrą pasukite 180° kampu į sieną A ir ant jos pažymėkite abiejų linijų susikirtimo tašką a2.



9. Išmatuokite atstumus:

$$\Delta a = |a2 - a1|$$

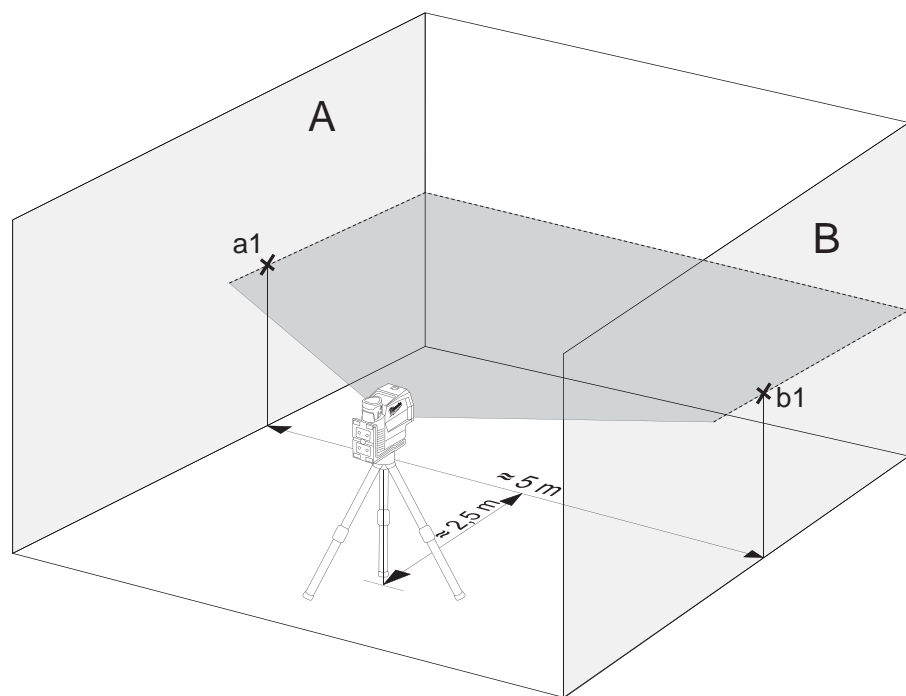
$$\Delta b = |b1 - b2|$$

10. Skirtumas $|\Delta a - \Delta b|$ negali būti didesnis nei 2 mm.

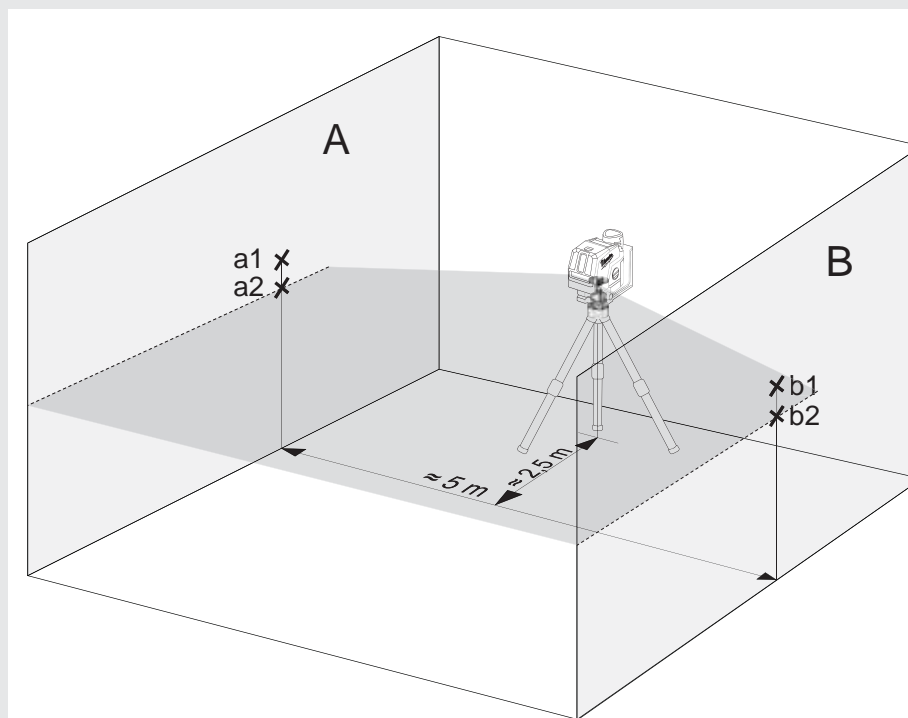
2 HORIZONTALIOS LINIJOS NIVELIAVIMO TIKSLUMO PATIKRA (SKIRTUMAS NUO VIENO IKI KITO ŠONO)

Tokiai patikrai reikalingas maždaug 5 x 5 m plotas.

1. Lazerį pastatykite ant trikojo arba tvirto pagrindo tarp dviejų maždaug 5 m viena nuo kitos nutolusių A ir B sienų.
2. Lazerį pastatykite maždaug 2,5 m atstumu nuo patalpos centro.
3. Įjunkite automatinio niveliavimo režimą ir paspauskite mygtuką, kad ant A ir B sienų būtų suprojektuota horizontali linija.
4. Ant sienos A pažymėkite lazerio linijos centrą a1, o ant sienos B pažymėkite b1.



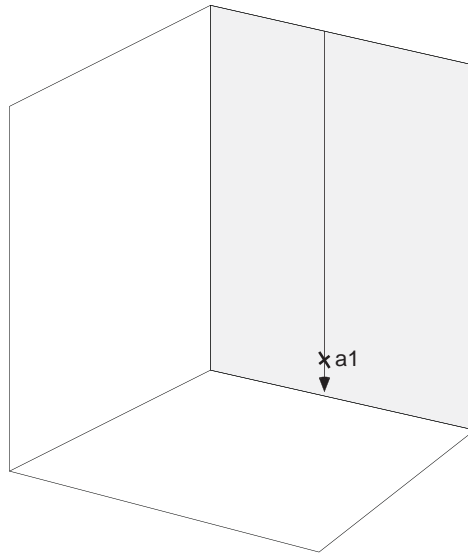
5. Lazerinį nivelyrą perkelkite maždaug 5 m, pasukite 180° kampu ir iš naujo suprojektuokite horizontalią liniją ant A ir B sienų.
6. Ant sienos A pažymėkite lazerio linijos centrą a2, o ant sienos B pažymėkite b2.



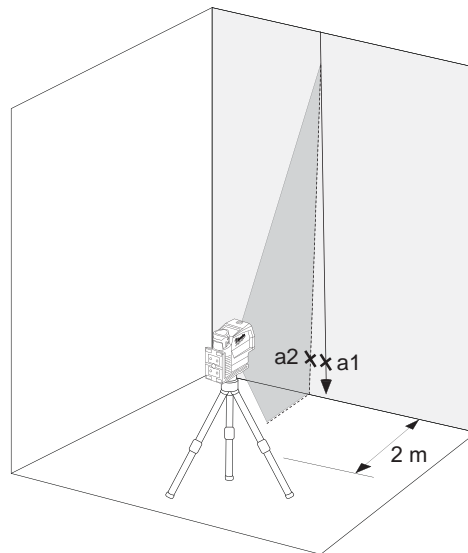
7. Išmatuokite atstumus:
 $\Delta a = |a2 - a1|$
 $\Delta b = |b1 - b2|$
8. Skirtumas $|\Delta a - \Delta b|$ negali būti didesnis nei 2 mm.

3 VERTIKALIOS LINIJOS NIVELIAVIMO TIKSLUMO PATIKRA#

1. Prie sienos pakabinkite maždaug 4 m ilgio svambalo virvę.
2. Kai svambalas sustoja, virš svambalo rutulio ant sienos pažymėkite tašką a1.



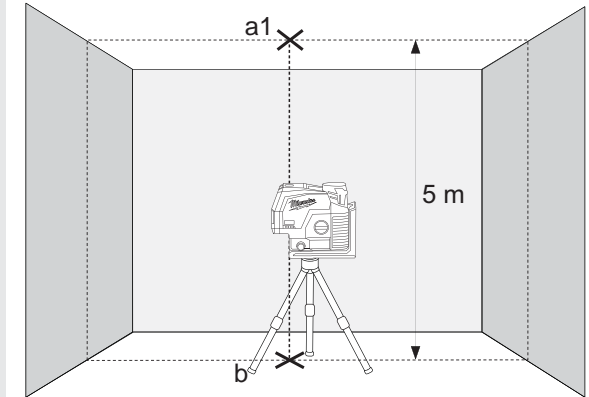
3. Lazerinį nivelyrą pastatykite ant trikojo arba lygaus pagrindo tarp dviejų maždaug 2 m viena nuo kitos nutolusių sienų.
4. Įjunkite automatinio niveliavimo režimą ir paspauskite mygtuką, kad būtų suprojektuota vertikali linija ant svambalo linijos.
5. Lazerinį nivelyrą pasukite taip, kad vertikali linija sutaptų su pakabinta svambalo virve.
6. Ant sienos, tame pačiame aukštyje kaip a1, pažymėkite tašką a2 vertikalaus linijos centre.
7. Atstumas tarp a1 ir a2 negali būti didesnis nei 1 mm.



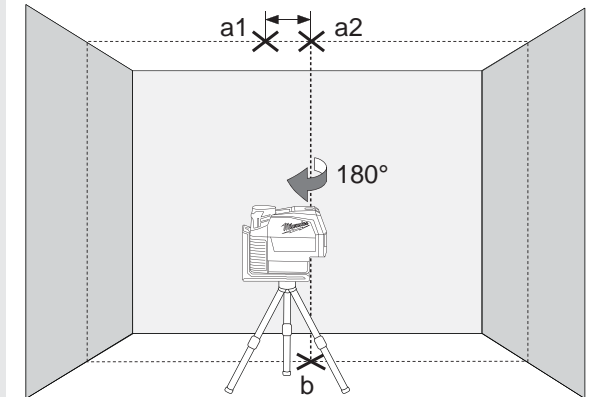
4 SVAMBALO TIKSLUMO PATIKRA

Šiai patikrai reikalinga patalpa, kurios lubų aukštis yra maždaug 5 m.

1. Ant stovo pastatykite kryžminį lazerį.
2. Įjunkite savaiminio niveliavimo režimą ir paspauskite mygtuką, kad įjungtumėte apkrovos funkciją.
3. Viršutinį taškelį ant lubų pažymėkite kaip tašką a1 (žr. iliustraciją).
4. Pažymėkite apatinį apatinį tašką ant grindų kaip tašką b.



5. Lazerinį nivelyrą pasukite 180° kampu ir padėkite taip, kad svambalo taško centras sutaptų su jau pažymėtu b tašku ir palaukite, kol prietaisas išsilygins.
6. Viršutinį taškelį ant lubų pažymėkite kaip tašką a1 (žr. iliustraciją).
7. Atstumas tarp a1 ir a2 taškų ant lubų parodo, kiek lazerio linija nukrypusi nuo idealios vertikalaus linijos. Kai matuojamas ilgesnis nei 5 m atstumas, galimas didžiausias nuokrypis: $5 \text{ m} \times (\pm 0,6 \text{ mm/m}) \times 2 = \pm 6 \text{ mm}$.
8. Atstumas tarp a1 ir a2 negali būti didesnis nei 6 mm.



SISUKORD

Olulised ohutusjuhised	253
Hoodus	254
Tehnilised andmed.....	254
Kasutusotstarve.....	254
Ülevaade	255
Varustus	256
Vaheta aku	256
Aku mahutavuse indikaator	257
Tühja aku indikaator	257
Lakke paigaldamine	257
Seinakinnitus ja roheline sihtplaat	258
Töötamine iseloodimisrežiimis.....	259
Töötamine käsirežiimis	260
Loodimisfunktsioon.....	261
Detektor.....	261
Täpsuse kontrollimine.....	262

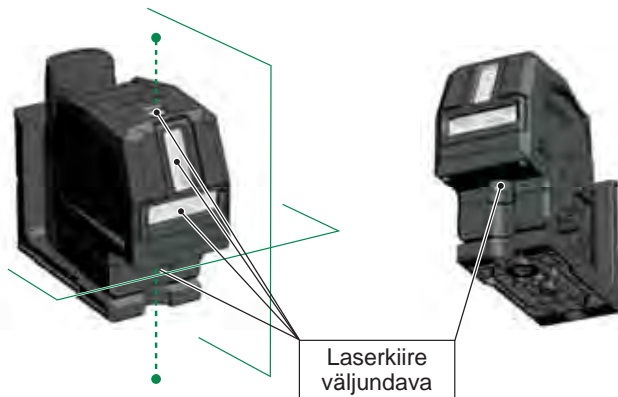
OLULISED OHUTUSJUHISED



ETTEVAATUST! TÄHELEPANU! OHUD!

Ärge kasutage toodet enne, kui olete lugenud olevaid Ohutusjuhiseid ja Kasutusjuhendit.

Laseri klassifikatsioon



HOIATUS:

Tegemist on 2. klassi lasertootega, mis vastab dokumendile EN60825-1:2014 .



Hoiatus!

Ärge vaadake otse laserikiirde. Laserikiir võib põhjustada raskeid silmavigastusi ja/või pimedaks jäämist.

Ärge vaadake otse laserikiirde ega suunake kiirt asjatult teiste isikute peale.

Ettevaatust! Mõnede tööde ajal võib laserseade olla teie taga. Sellisel juhul olge ümber pöörates ettevaatlik!

Hoiatus!

Ärge käsitsege laserit laste läheduses, ärge laske lapsi laseriga mängida.

Tähelepanu! Peegeldav pind võib laserkiirt operaatori või teiste inimeste suunas tagasi peegeldada.

Hoiatus: Juhtelementide kasutamine, seadete muutmine või muude kui käsiraamatus määratud meetodite kasutamine võib ohtlikku kiirguskoormust põhjustada.

Kui laser tuuakse väga külmast keskkonnast väga sooja keskkonda (või vastupidi), peab see enne kasutuselevõttu ümbritseva temperatuuriga kohanema.

Laserit ei tohi hoida väliskeskkonnas. Seda tuleb kaitsta löökide, pidevate vibratsioonide ja suurte temperatuurikõikumiste eest.

Kaitske lasermõõteseadet tolmu, märja ja kõrge õhuniiskuse eest. See võib sisemisi koostedetaile rikkuda või täpsust mõjutada.

Kui laserikiir on suunatud silma, tuleb silmad sulgeda ja pea otsekohe kiirest eemale keerata.

Jälgige laserikiire suunamisel, et Teie ise ega teised isikud ei saaks sellest pimestatud.

Ärge vaadake laserikiirt optiliste suurendusvahenditega, nagu nt luubid või teleskoobid. Vastasel juhul suurendab see ohtu raskete silmavigastuste tekkeks.

Pange tähele, et laserikaitseprillid parandavad laserikiire nähtavust, kuid ei kaitse silmi laserikiirguse eest.

Laserseadmel olevaid hoiatussilte ei tohi eemaldada ega muuta arusaamatuks.

Laserit ei tohi koost lahti võtta. Laserikiirgus võib põhjustada raskeid silmavigastusi.

Enne laseri transporti veenduge, et pendellukk on lukus.

Märkus! Kui pendellukk pole lukus, võib seadme sisemus transportimise ajal kahjustada saada.


Ärge kasutage agressiivseid puhastusvahendeid ega lahusteid. Puhastage ainult puhta, pehme lapiga.


Kaitske laserit tugevate löökide või kukkumise eest. Pärast kukkumist või tugevaid mehaanilisi mõjutusi kontrollige enne kasutamist seadme täpsust.

Antud laserseadmel tohib nõutavaid remonditöid teostada üksnes volitatud erialapersonal.

Ärge kasutage toodet plahvatusohtlikes kohtades ega agressiivses keskkonnas.

Võtke patareid enne seadme pikaajalisemat hoiustamist patareipesast välja. Nii väldite patareide tühjenemist ja sellega seotud korrosioonikahjustuste teket.

 ühjasid patareid ei tohi visata majapidamisjäätmete hulka. Säätke keskkonda ja viige need kogumispunktidesse, nagu on sätestatud riiklikes ja kohalikes eeskirjades. Seadet ei tohi visata majapidamisjäätmete hulka. Kõrvaldage toode kasutuselt riigis kehtivate eeskirjade järgi. Täitke vastavaid kohalikke ja riiklikke eeskirju. Pöörduge kohaliku ameti või edasimüüja poole, et utiliseerimise kohta teavet saada.

 Euroopa vastavusmärk

HOOLDUS

Puhastage laseri objektiiv ja korpus pehme puhta lapiga. Ärge kasutage keemilist lahustit. Isegi siis, kui laser on teatud piirini tolmu ja määrdumise vastu kaitstud, ei tohiks seda pikemat aega tolmu kohas hoida, sest see võib kahjustada sisemisi liikuvaid osi. Kui laser peaks märjaks saama, tuleb see roostekahjustuste tekkimise vältimiseks enne kandekohvrisse panekut kuivatada.

TEHNILISED ANDMED

Laseri klass	2
Isehoodimise vahemik	± 4°
Isehoodimise aeg	3 s
Patarei tüüp	Li-Ion
Pinge DC	12V ===
Kaitseklass (veepritsmes ja tolm)	IP54*
Max kõrgus	2000 m
Max suhteline õhuniiskus	80%
Määrdumisaste vastavalt standardile IEC 61010-1	2**
Impulsilaius t_p	≤ 80 μs
Funktsioonid	horisontaalne joon, vertikaalset joont, ristuvad jooned, loodimisfunktsioon (2 punkti)
Sagedus	10 kHz
Projektsioonid	kaks rohelist joont, 2 punkti roheline
Diodikogus	2
Diodi tüüp	30 mW
Laserikiire väljumdmuster	Üks horisontaalne, üks vertikaalne + 2 torupunkti üles ja alla, ristjoon + 2 torupunkti (üles ja alla).
Töötamisaeg	15 tundi koos vahetatava akuga M12 3.0 Ah
Statiivi keere	1/4" / 5/8"
Sobiv detektor	Milwaukee LLD50
Laserikiir	
Laius	< 9,53mm @ 30m
Lainepikkus	510 - 530 nm laseri klass II
Maksimaalne jõudlus	≤ 7 mW
Täpsus	+/- 3 mm / 10 m
Nähtavusnurk	vertikaalset joont > 120°; horisontaalne joon > 114°
Värvus	roheline
Ulatus	38 m (detektoriga 50 m)

Loodimispunkt	
Lainepikkus, laseripunkt	510 - 530 nm laseri klass II
Laseripunkti max võimsus	< 1 mW
Loodimistäpsus	+/- 3 mm / 10 m
Laseripunkti värvus	roheline
Ulatus	30 m
Soovituslik töötemperatuur	-10 °C kuni + 40 °C
Hoiustamistemperatuur	-20 °C kuni +50 °C
Soovituslikud akutüübid	M12 B...
Mõõtmed	170 mm x 82 mm x 148 mm
Kaal (koos patareidega)	1205 g

* IP54 puhul on liitiumioonaku ja akuhoidik välistatud.

** Esineb üksnes mittejuhtivat määrdumist, mille puhul on aeg-ajalt oodata kondenseerumisest põhjustatud ajutist juhitavust.

KASUTUSOTSTARVE

"Toode on eelistatult mõeldud siseruumides kasutamiseks. Välistingimustes kasutamisel tuleb tähelepanu pöörata sellele, et nende põhitingimused oleksid vastavuses siseruumi omadele."

See uuenduslik laser on mõeldud laialdaseks professionaalseks kasutuseks, nagu nt:

- plaatide, marmorplaatide, piirete, bordüüride, profiilide ja veeriste joondamine;
- põhijoonte märkimine uste, akende, liistude, treppide, tarade, väravate, verandade ja pergolate ehitamisel;
- horisontaalsete ja vertikaalsete joonte määramiseks ja kontrollimiseks.
- Ripplagede ja torude, aknajaotuste ja torude loodimine, elektripaigaldiste kaitsemüüride loodimine

Seda toodet võib kasutada üksnes kirjeldatud otstarbel.

Loodimispunkt

Laseri vertikaalne aken

Horisontaalse laserikiire aken

Režiimi nupp

Lühike vajutus: Valige laserridade vahel:

- horisontaalne
- vertikaalne + liugfunktsioon
- ristjooned + liugfunktsioon

Pikk vajutus: tavarežiimi / energiasäästurežiimi vahetamine

LED-ekraan aku mahutavus

20 ° mikroseedistus (+/- 10 ° keskelt)

Loodimispunkt

Statiivi kinnitus 5/8 "

Statiivi kinnitus 1/4 "

LED-ekraaniga laserliin

- horisontaalne
- vertikaalne
- + ristjoon

M12 Aku

Horisontaalse laserikiire tähistus

Pöördnupp

- OFF välja lülitatud / lukustatud
- ON sisse / käsitsi režiim
- ON sisse / isetasanduv režiim

Magnetiline hoidik

Lakke paigaldamine



VARUSTUS

Lisatarvikud - ei kuulu standardvarustuse hulka, saadaval lisavarustusena.

Terminal LM360



Detektor LLD50

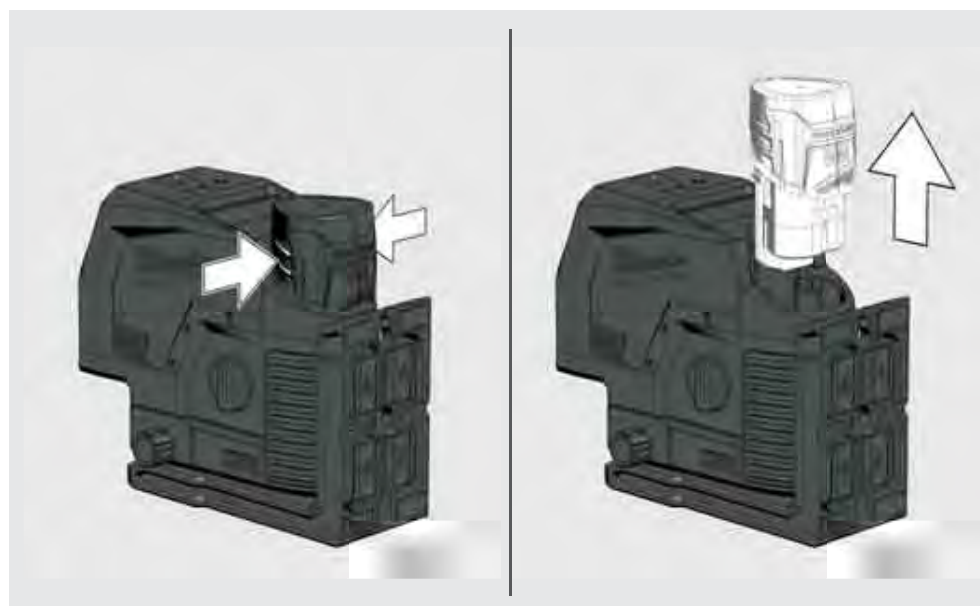
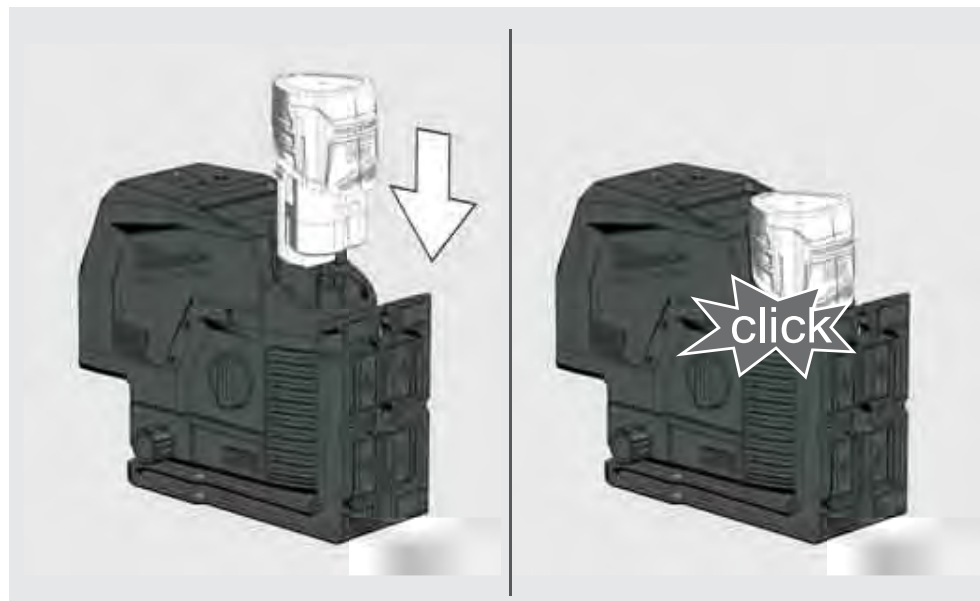


Statiiv TRP180



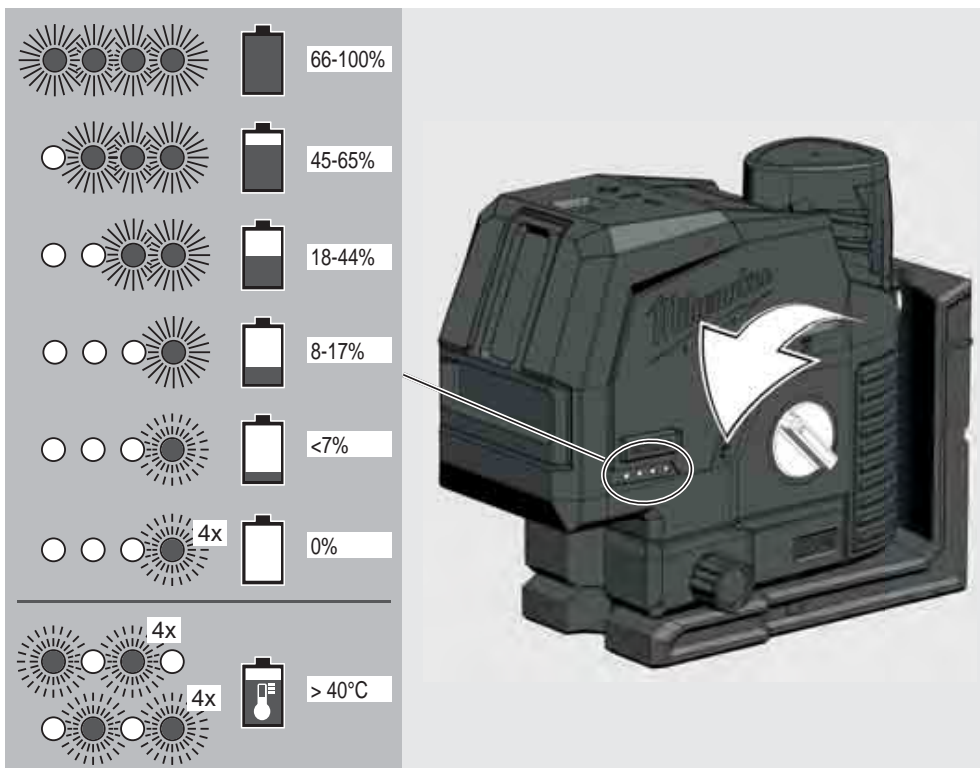
VAHETA AKU

Kasutage ainult M12 laetavat Milwaukee akut.



AKU MAHUTAVUSE INDIKAATOR

Pärast laseri sisse- või väljalülitamist kuvatakse kütuse näidikul aku tööiga.



TÜHJA AKU INDIKAATOR

Kui pinge on madal, lülitub laser energiasäästurežiimi.

Laser vilgub isetasanduval režiimil



Laser vilgub käsitsi režiimis



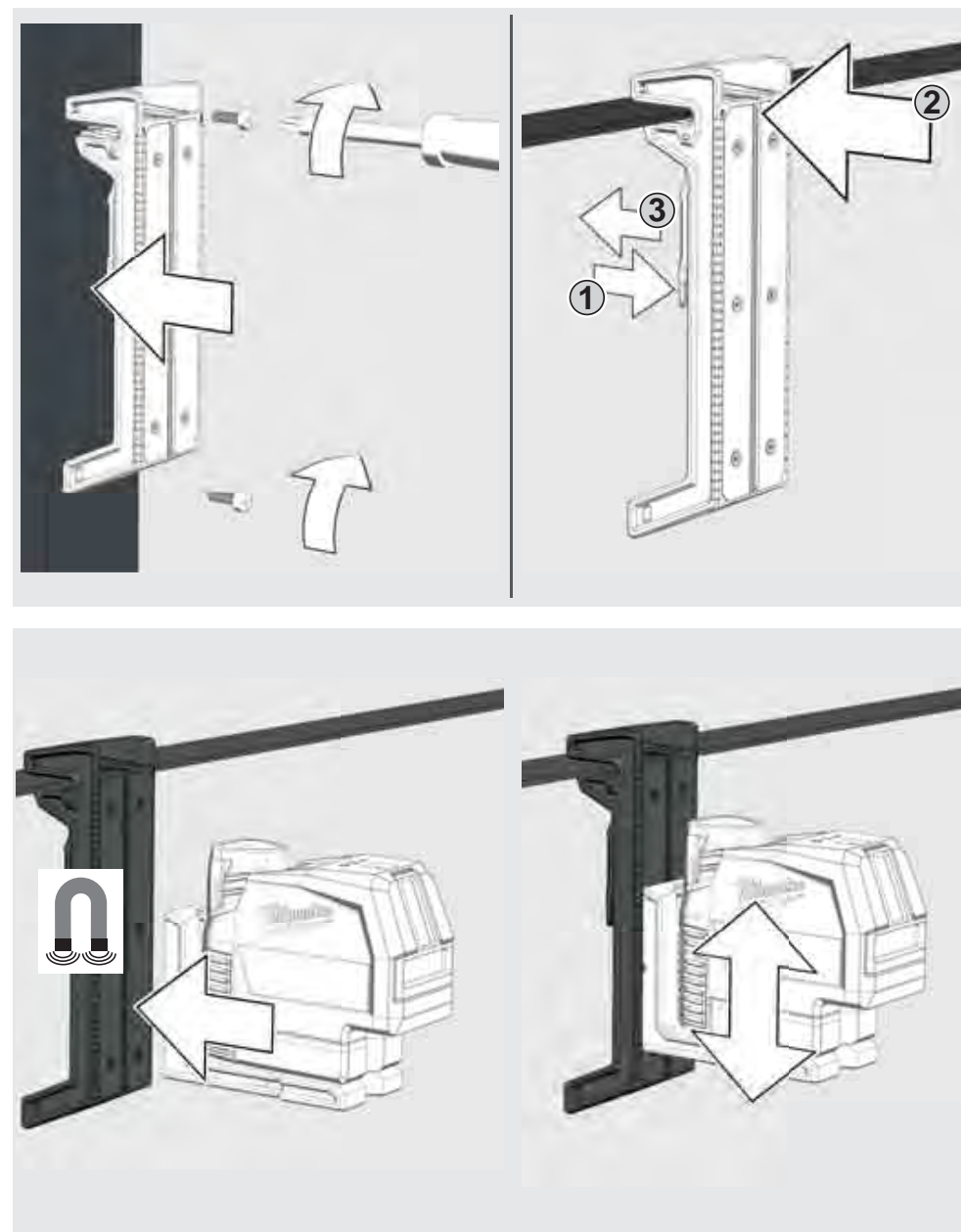
Nüüdsest on tööd endiselt võimalik jätkata.

Kui pinge on madal, hakkavad laser ja LED vilkuma 4 korda ja lülituvad automaatselt välja.

LAKKE PAIGALDAMINE

Kinnitage rataskinnitus kruvidega samba külge.

Laseri kinnitamiseks laekanalitele, püstikutele kinnitage laekinnitus ...

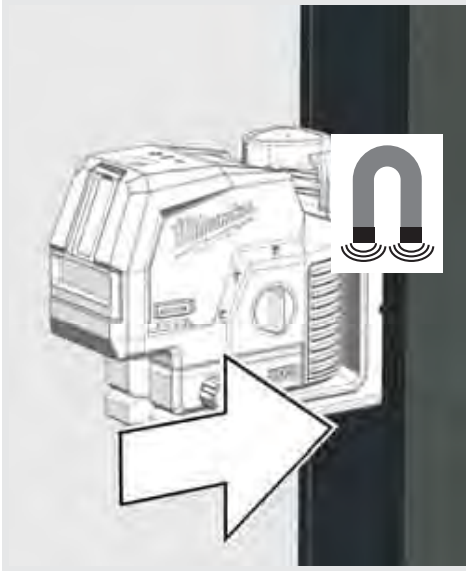


SEINAKINNITUS JA ROHELINE SIHTPLAAT

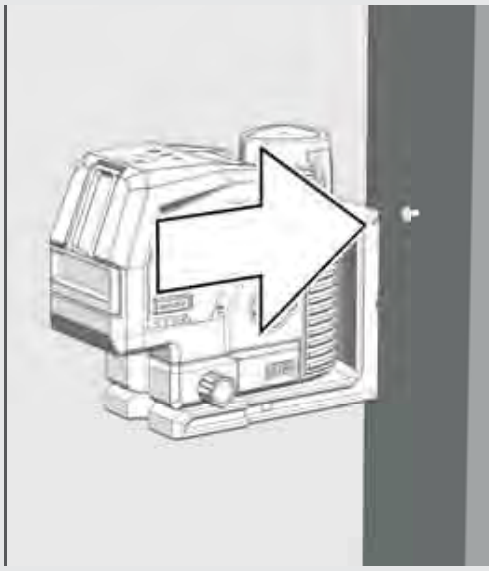
Magnetiga seinakinnituse abil saab laseri kinnitada seina, metallkonstruktsioonide vms külge.

Või kinnitage kruvi või naela abil sambale.

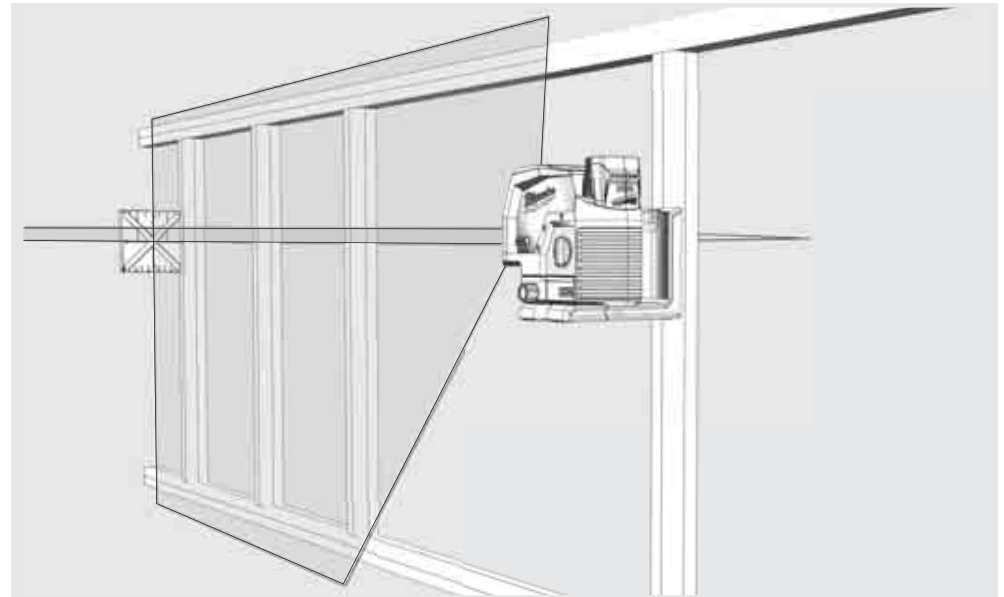
Kasutage rohelist sihtplaati, et parandada laserkiire nähtavust ebasoodsates tingimustes ja suurematel vahemaadel.



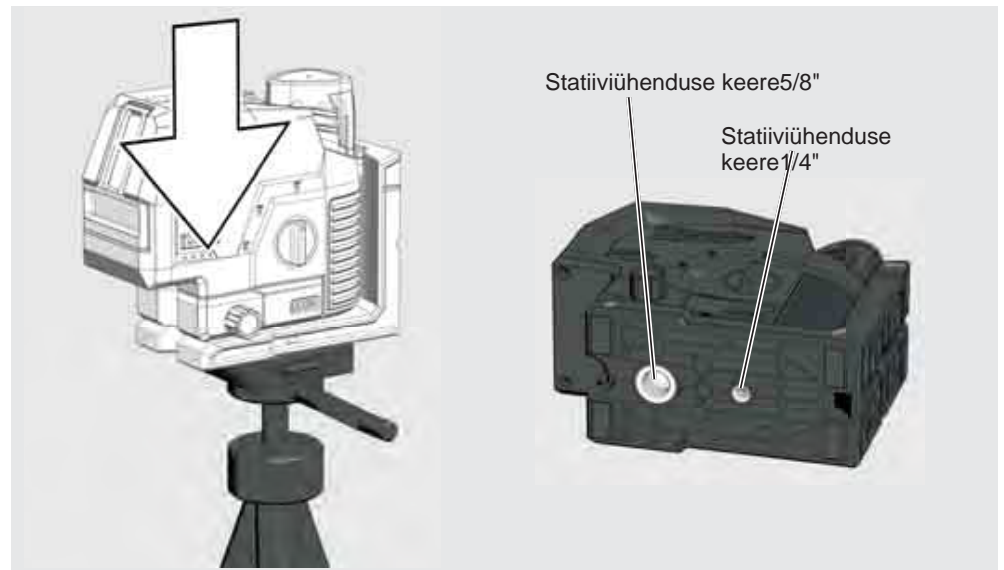
Pöörake laserit 360 °.



Kasutage 20 ° pöörde mikroregulatsiooni jaoks reguleerimisnuppu



Laseri kinnitamiseks statiivile kasutage statiivikinnitust.

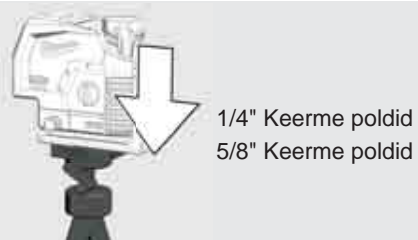


TÖÖTAMINE ISELOODIMISREŽIIMIS


Iseloodimisrežiimis loodib laser ise vahemikus $\pm 4^\circ$. Selleks projitseeritakse horisontaalne joon, vertikaalne joon või mõlemad jooned samaaegset.

1

Monteeri laser kõvale, tasasele ja mittevibreerivale aluspinnale või statiivi külge.



2

Keera pöördlüli asendisse: 

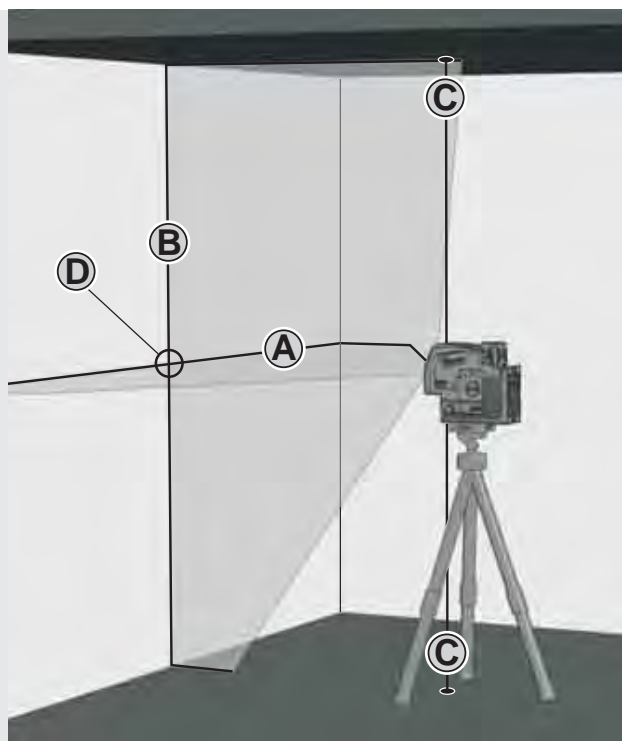


3

Laser tekitab kaks laserikiirt.

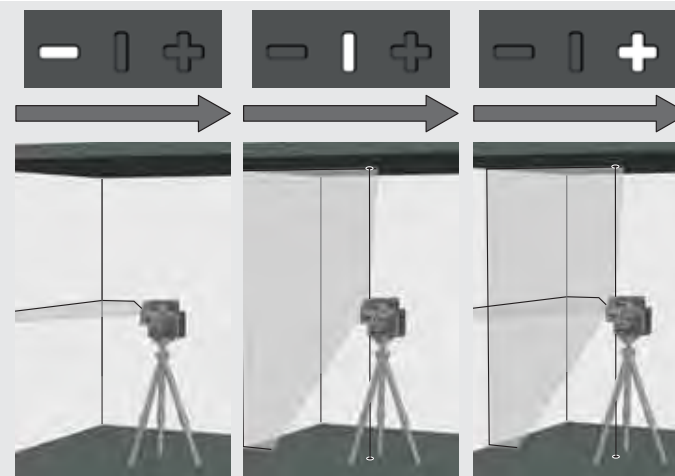
(A) Horisontaalne joon ettepoole
(B) Vertikaalne joon ettepoole
(C) Laseripunkt

(D) Kui kõik kiired on aktiveeritud, tekitab laser ristjooned ette.



4

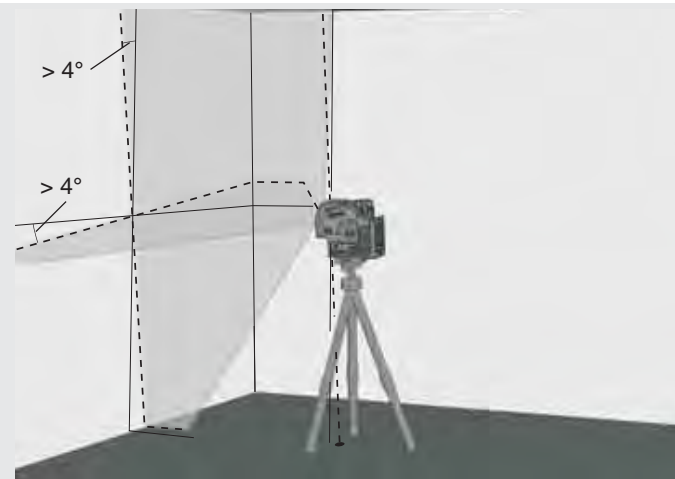
Valige soovitud kiirde nupu abil.





5

Kui laser pole aktiveeritud iseloodimise alguseks $\pm 4^\circ$ joondatud, siis laserikiired vilguvad.

Sellisel juhul positioneeri laser uuesti.



6

Enne laseri liigutamist keerake  pöördlüli asendisse . See lukustab pendli, kaitstes seeläbi laserit.



TÖÖTAMINE KÄSIREŽIIMIS

Iseloodimisfunktsioon on käsirežiimis inaktiveeritud ja laser saab laserikiiri seadistada soovitud kaldele.

1

Monteerige laser kõvale, tasasele ja mittevibreerivalte aluspinnale või statiivi külge.



2

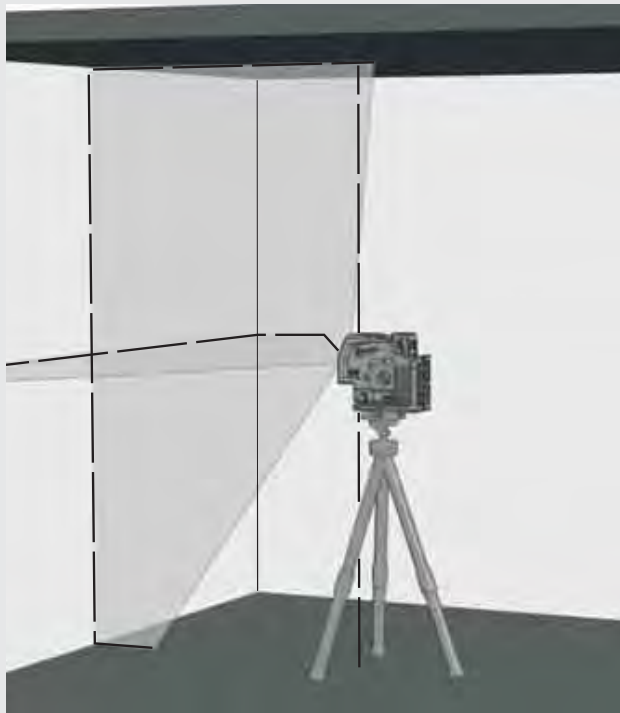
Keera pöördlüliti asendisse: **ON**.



3

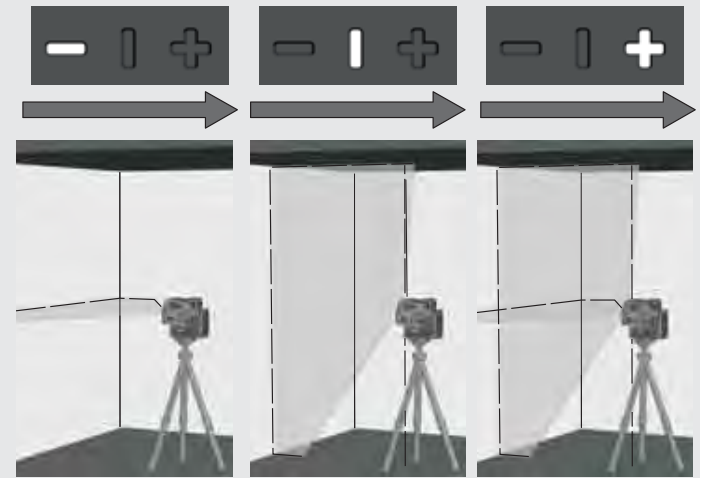
Sarnaselt iseloodimisrežiimile tekitab laser kaks laserikiirt, mis vilguvad katkematult 8-sekundiliste vahedega.

8 sek 8 sek 8 sek



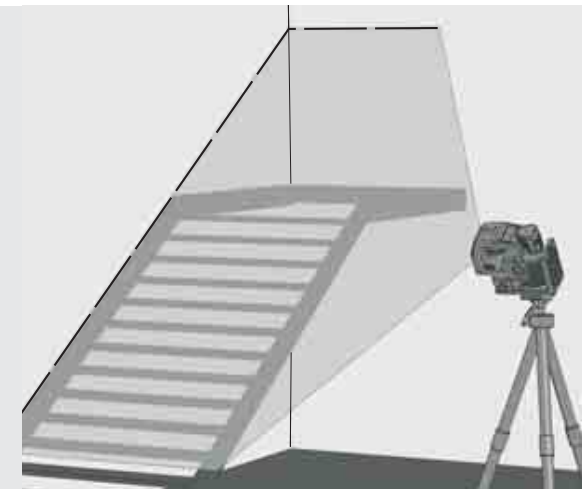
4

Valige soovitud kiirde nupu abil.



5

Seadistage laser statiivi abil soovitud kõrgusele ja kaldele.



6

Manuaalsest režiimist väljumiseks

Keera pöördlüliti asendisse: **ON** või

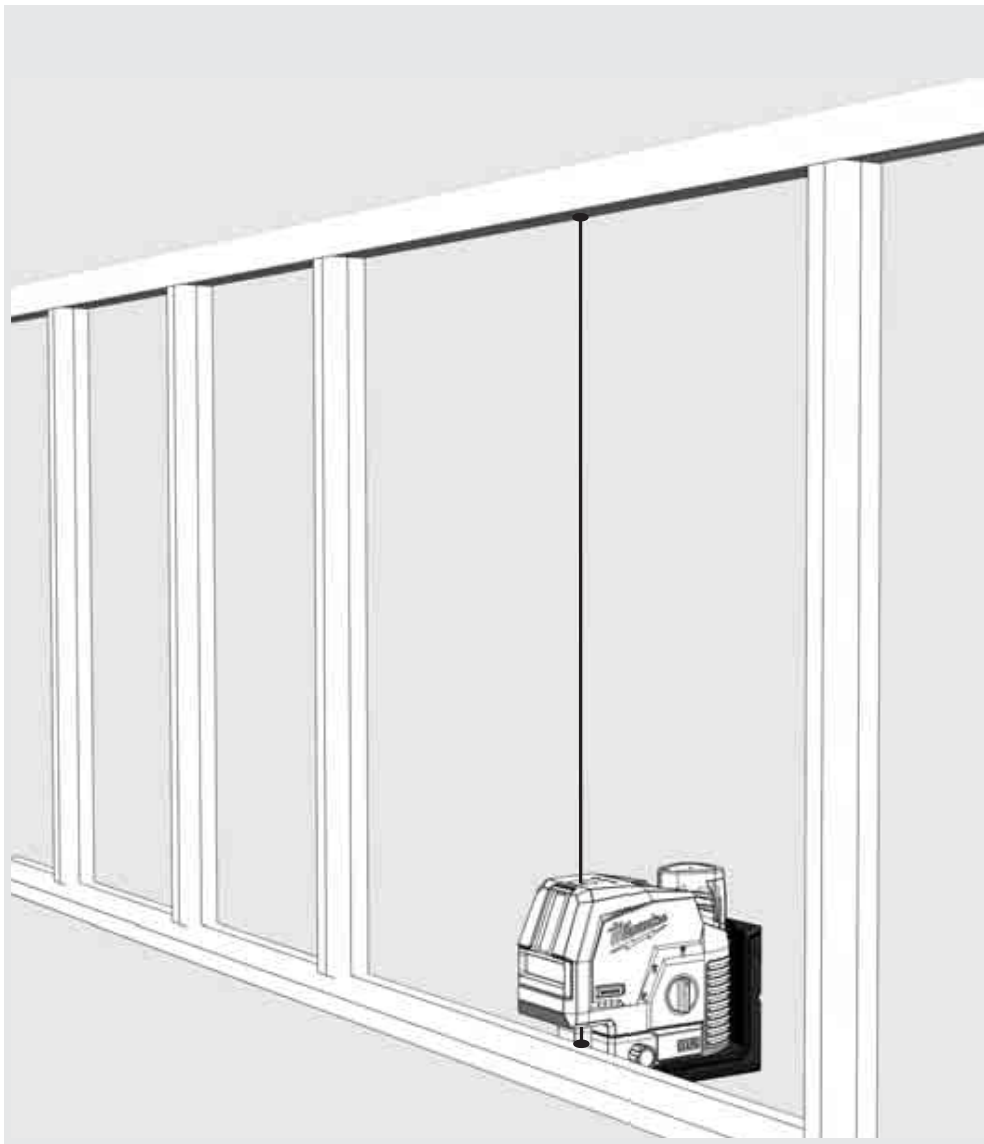
keerake pöördlüliti asendisse: **OFF**.



LOODIMISFUNKTSIOON

Loodimisfunktsiooniga saab mingit punkti põrandal projitseerida lakke püstloodis.

Loodimisfunktsiooni ülesanne on näiteks valgustus- ja ventilatsioonipaigaldise võrdluspunkti ülekandmine või kõrguste ülekandmine.

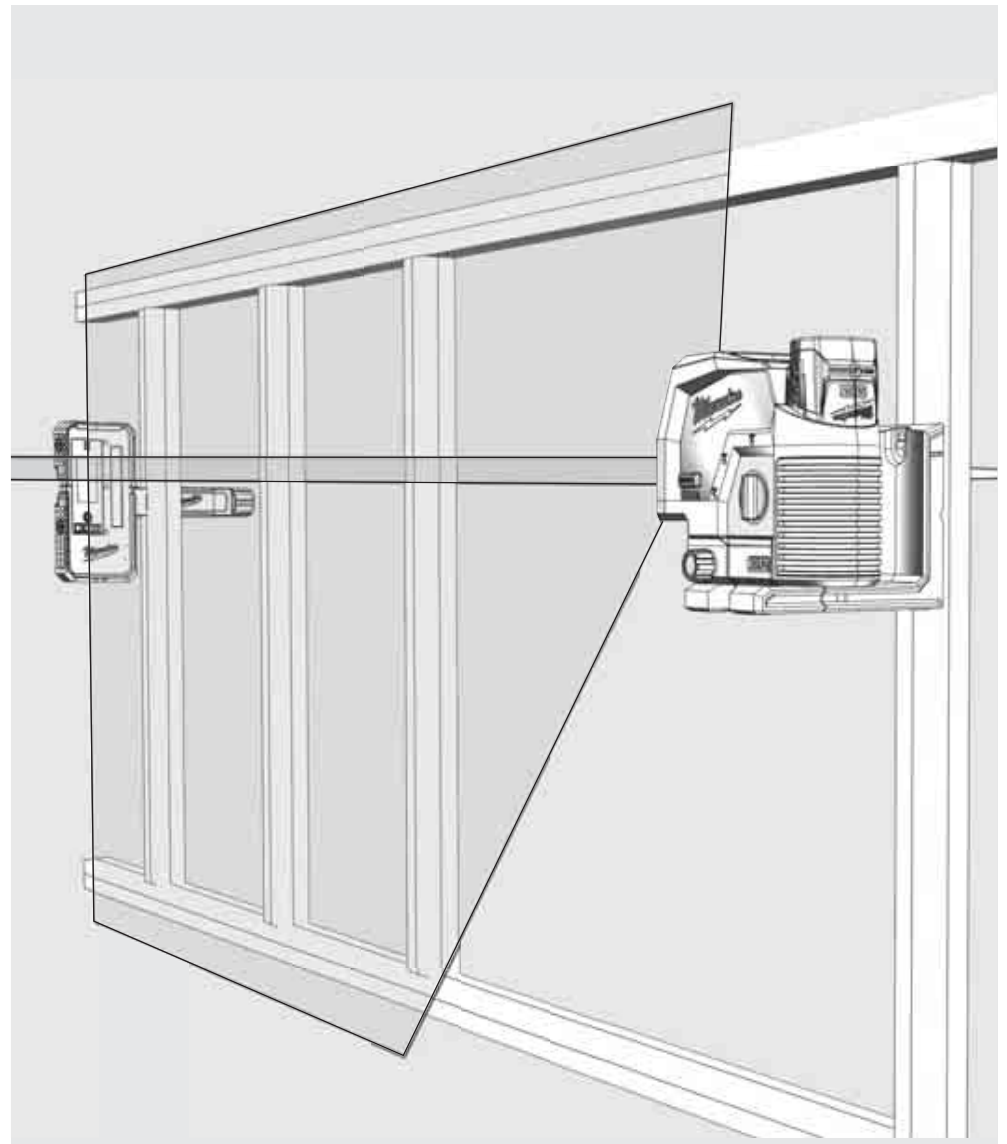


DETEKTOR

Õues töötamiseks otsese päikesevalguse käes või eredates tingimustes ja laiendatud siseruumides (kuni 50 meetrit) kasutage Milwaukee detektorit.

Tarne ei sisalda detektorit. See tuleb tellida eraldi.

Täpsemat teavet detektori kasutamise kohta leiate detektori kasutusjuhendist.



Laser kalibreeritakse tehases täielikult. Milwaukee soovib kontrollida laseri täpsust regulaarselt; eelkõige pärast kukkumist või valesti kasutamist.

Kui täpsuse kontrollimisel ületatakse maksimaalset kõrvalekallet, pöörduge palun mõne meie Milwaukee teeninduspunkti poole (selleks tutvuge garantiitingimuste ja teeninduspunktide aadressidega loendiga).

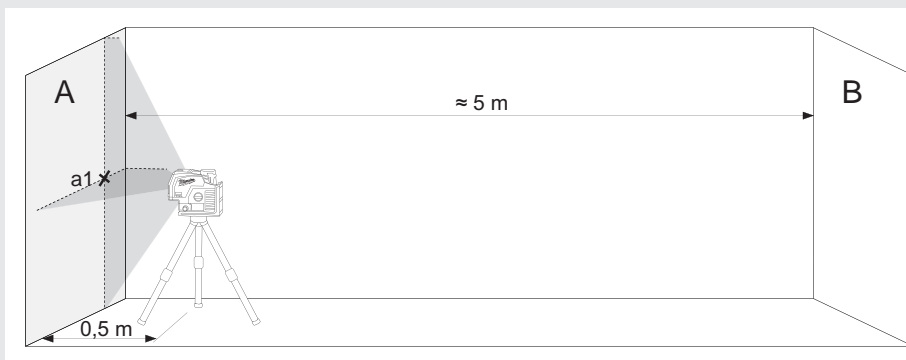
1. Kontrollige horisontaalse joone kõrguse täpsust.
2. Kontrollige horisontaalse joone loodimise täpsust.
3. Kontrollige vertikaalse joone loodimise täpsust.
4. Kontrollige loodimistäpsust.

Enne statiivi külge monteeritud laseri täpsuse kontrollimist veenduge, et statiiv oleks loodis.

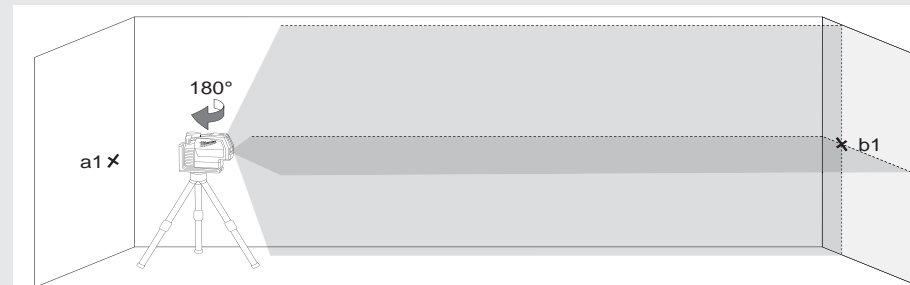


1 KONTROLLIGE HORISONTAALSE JOONE KÕRGUSE TÄPSUST (KÕRVALEKALLE ÜLES JA ALLA)

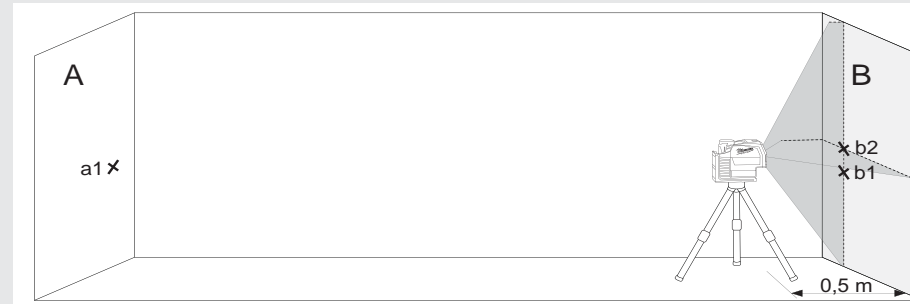
1. Paigutage laser statiivil või tasasel aluspinnal kahe teineteisest umbes 5 m kauguse oleva seinale A ja B vahele.
2. Asetage laser seinast umbes 0,5 m kaugusele.
3. Lülitage iseloodimisrežiim sisse ja vajutage nuppu, et projitseerida horisontaalne ja vertikaalne joon seinale A.
4. Märkige mõlema joone lõikumispunkt a1 seinale A.



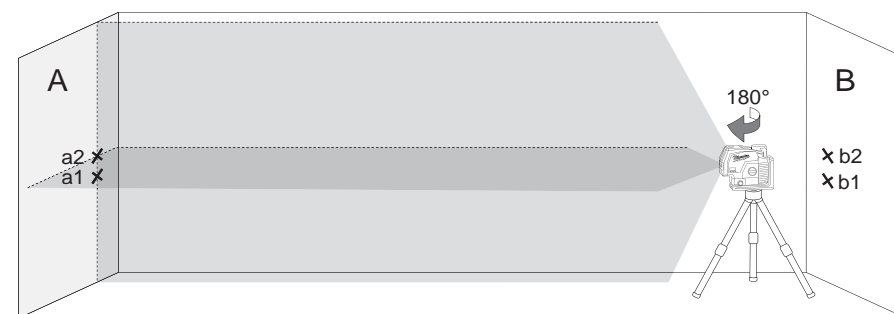
5. Pöörake laserit 180° seinale B suunas ja märkige mõlema joone lõikumispunkt b1 seinale B.



6. Asetage laser seinast B umbes 0,5 m kaugusele.
7. Märkige mõlema joone lõikumispunkt b2 seinale B.



8. Pöörake laserit 180° seinale A suunas ja märkige mõlema joone lõikumispunkt a2 seinale A.



9. Kauguste mõõtmine:

$$\Delta a = |a2 - a1|$$

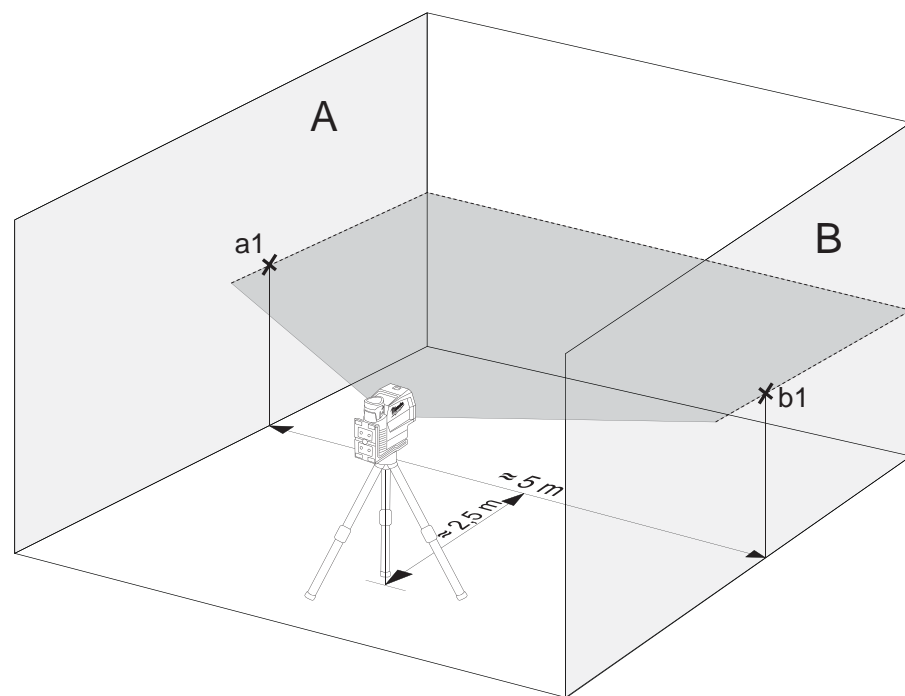
$$\Delta b = |b1 - b2|$$

10. Erinevus $|\Delta a - \Delta b|$ ei tohi olla suurem kui 2 mm.

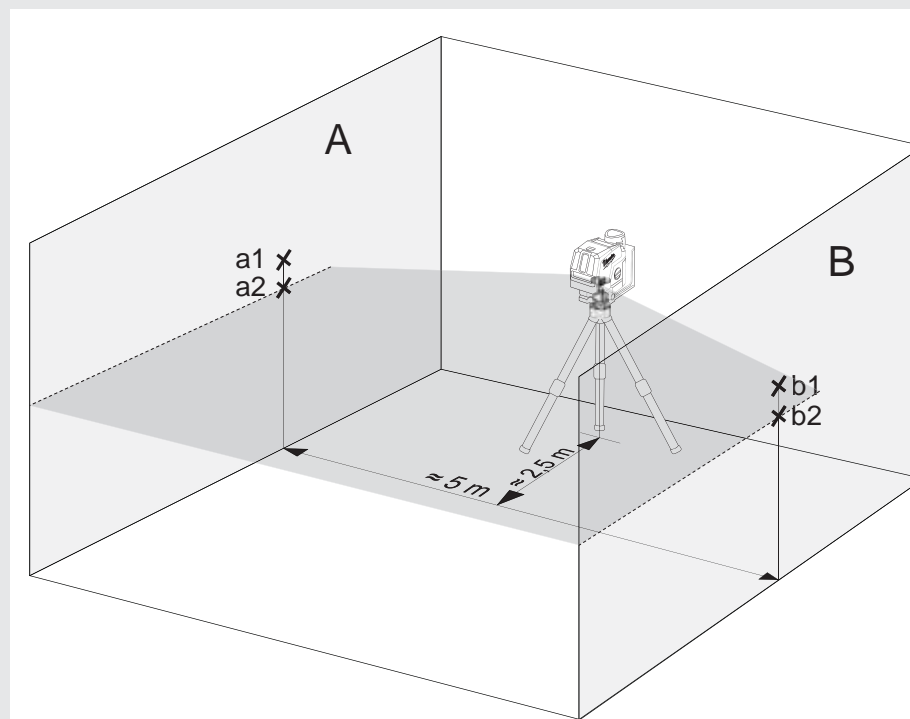
2 KONTROLLIGE HORISONTAALSE JOONE LOODIMISE TÄPSUST (KÕRVALEKALLE ÜHEST OTSAST TEISE)

Selle kontrolli jaoks on vajalik umbes 5 × 5 m vaba pind.

1. Paigutage laser statiivil või tugeval aluspinnal kahe teineteisest umbes 5 m kauguse oleva seinale A ja B vahele.
2. Asetage laser ruumi keskpunktist umbes 2,5 m kaugusele.
3. Lülitage iseloodimisrežiim sisse ja vajutage nuppu, et projitseerida seinale A ja B horisontaalne joon.
4. Märkige laserikiire keskpunkt seinale A märgistusega a1 ja seinale B märgistusega b1.



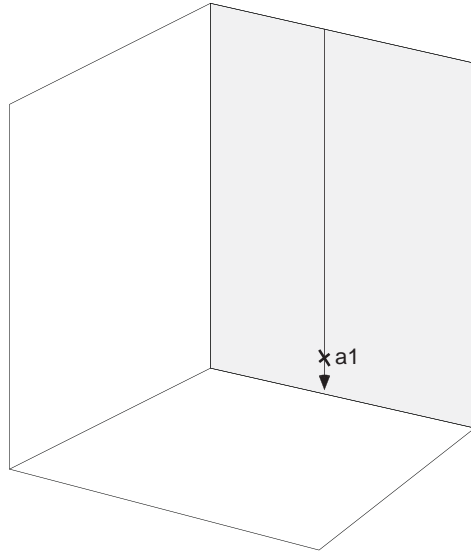
5. Paigutage laser umbes 5 m ulatuses ümber ja pöörake 180° võrra ning projitseerige horisontaalne joon uuesti seinale A ja B.
6. Märkige laserikiire keskpunkt seinale A märgistusega a2 ja seinale B märgistusega b2.



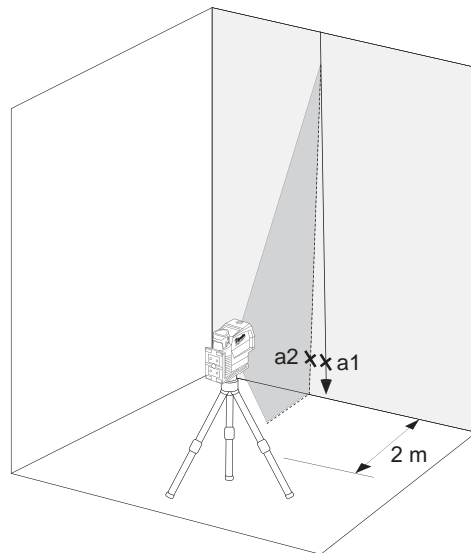
7. Kauguste mõõtmine:
 $\Delta a = |a2 - a1|$
 $\Delta b = |b1 - b2|$
8. Erinevus $|\Delta a - \Delta b|$ ei tohi olla suurem kui 2 mm.

3 VERTIKAALSE JOONE LOODIMISE TÄPSUSE KONTROLLIMINE

1. Riputage seinale umbes 4 m pikkune loodimishöör.
2. Kui loodi ots on lõpetanud kõikumise, märkige punkt a1 seinale tinakoonusest ülespoole.



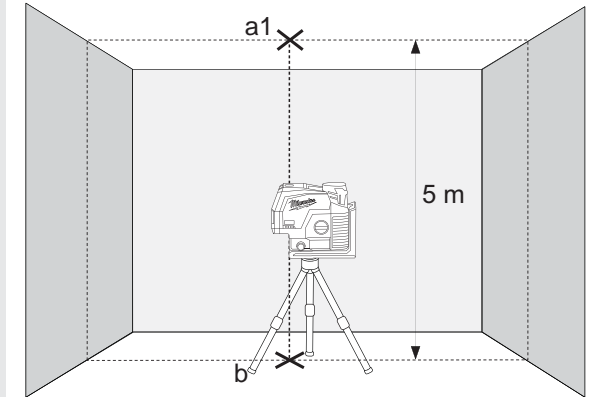
3. Paigutage laser statiivil või tasasel aluspinnal umbes 2 m kaugusele seinast.
4. Lülitage iseloodimisrežiim sisse ja vajutage nuppu, et projitseerida loodimishöörile vertikaalne joon.
5. Pöörake laserit nii, vertikaalne joon on kooskõlas rippuva loodimishööriga.
6. Märkige vertikaalse joone keskel olev punkt a2 samale kõrgusele seinale oleva punktiga a1.
7. Punktide a1 ja a2 vahel olev erinevus ei tohi ületada 1 mm.



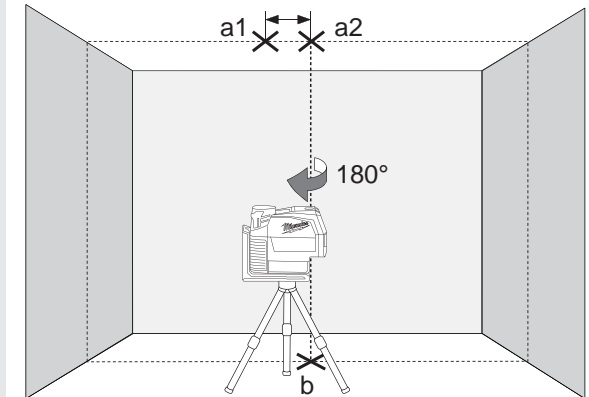
4 LOODIMISTÄPSUSE KONTROLLIMINE

Selle kontrolli jaoks peab ruumi lae kõrgus olema umbes 5 m.

1. Seadke ristlaser statiivile.
2. Lülitage isetasanduv režiim sisse ja vajutage sisselülitusfunktsioonile lülitamiseks nuppu.
3. Märgistage lae ülemine ülemine täpp punktina a1 (vt illustratsiooni).
4. Märkige põrandale alumine täpp punktina b.



5. Pöörake laserit 180° võrra ja positioneerige selliselt, et loodimispunkti keskpunkt langeks kokku juba märgitud punktiga b ja oodake, kuni seade on isenivelleerunud.
6. Märgistage lae ülemine ülemine täpp punktina a1 (vt illustratsiooni).
7. Punktide a1 ja a2 vaheline kaugus näitab, kui suur on laserikiire kõrvalekalle ideaalsest püstloodsusest. 5 m mõõteraja korral on suurim lubatud kõrvalekalle: $5 \text{ m} \times (\pm 0,6 \text{ mm/m}) \times 2 = \pm 6 \text{ mm}$.
8. Punktide a1 ja a2 vahel olev erinevus ei tohi ületada 6 mm.



ОГЛАВЛЕНИЕ

Важные инструкции по технике безопасности.....	265
Обслуживание.....	266
Технические данные.....	266
Использование по назначению.....	266
Обзор.....	267
Оборудование.....	268
Сменить батарею.....	268
Индикатор заряда батареи.....	269
Индикатор низкого уровня заряда батареи.....	269
Потолочный монтаж.....	269
Настенное крепление и зеленая мишень.....	270
Работа в режиме автоматического нивелирования.....	271
Работа в ручном режиме.....	272
Функция отвеса.....	273
Детектор.....	273
Проверка точности.....	274

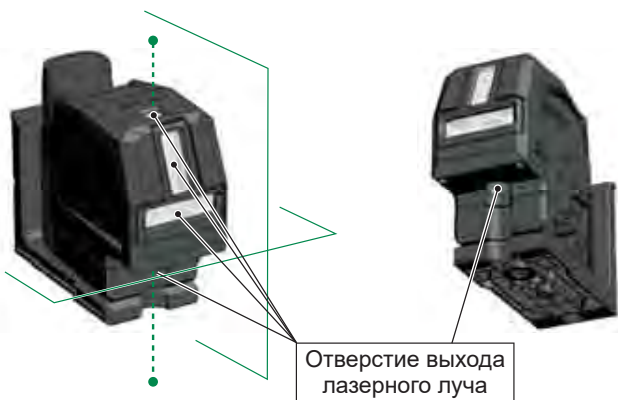
ВАЖНЫЕ ИНСТРУКЦИИ ПО ТЕХНИКЕ БЕЗОПАСНОСТИ



ВНИМАНИЕ! ПРЕДУПРЕЖДЕНИЕ! ОПАСНОСТЬ!

Перед использованием продукции внимательно ознакомьтесь с инструкциями по технике безопасности и руководством пользователя.

Классификация лазера



ВНИМАНИЕ!

Данное устройство является лазерным изделием класса 2 и соответствует EN60825-1:2014.



Предупреждение:

Не направлять лазерный луч напрямую в глаза. Лазерный луч может вызвать серьезное поражение органов зрения и/или ослепление.

Не смотреть напрямую в лазерный луч и не направлять его без необходимости на других людей.

Осторожно! В некоторых ситуациях применения прибор лазерного излучения может находиться позади вас. В этом случае поворачивайтесь осторожно.

Предупреждение:

Не работайте с лазером вблизи детей и не позволяйте детям эксплуатировать лазерное устройство.

Внимание! Лазерный луч может отражаться от определенных поверхностей и попадать на оператора или других людей.

Предупреждение: Использование элементов управления и настроек или выполнение процессов, отличных от предписанных в руководстве, могут приводить к опасной дозе облучения.

При переносе лазерного нивелира из очень холодной в теплую окружающую среду (или наоборот) перед использованием необходимо подождать, пока он достигнет температуры окружающей среды.

Не хранить лазерный нивелир под открытым небом; беречь от осадков, длительной вибрации и экстремальных температур.

Защищать лазерный измерительный прибор от пыли, влаги и высокой влажности воздуха. Они могут повредить внутренние компоненты или повлиять на точность.

При попадании лазерного излучения в глаза закрыть глаза и немедленно отвернуть голову от луча.

Следить за тем, чтобы лазерный луч размещался таким образом, чтобы он не ослепил вас или других людей.

Не смотреть в лазерный луч через оптические увеличительные приборы, такие как бинокль или телескоп. В противном случае возрастает опасность серьезного поражения органов зрения.

Учтите, что очки для улучшения видения лазерных лучей служат для повышения эффективности распознавания лазерных линий, однако не защищают глаза от лазерного излучения.

Запрещается снимать предупредительные таблички с лазерного прибора или маскировать их.

Запрещается разбирать лазерный нивелир. Лазерное излучение может вызывать серьезные поражения органов зрения.

Перед транспортировкой лазерного нивелира убедиться, что фиксатор маятникового компенсатора защелкнул.

Указание: При незащелкнутом фиксаторе маятникового компенсатора во время транспортировки могут повредиться внутренние части прибора.

Запрещается использовать агрессивные чистящие средства или растворители. Очищать только с помощью чистой мягкой салфетки.

Беречь лазерный нивелир от сильных ударов и падений. После падения или сильного механического воздействия необходимо проверить точность прибора перед использованием.

Необходимые ремонтные работы на этом лазерном приборе разрешается выполнять только авторизованному квалифицированному персоналу.

Эксплуатировать устройство в опасных зонах или в агрессивных средах запрещается.

Перед длительным простоем прибора извлечь батарейки из отсека для батареек. Это позволит избежать вытекания батареек и соответствующей коррозии.



Использованные батарейки не подлежат утилизации с бытовыми отходами. Позаботиться об окружающей среде, сдать их на сборный пункт, организованный в соответствии с государственными или местными нормами.

Изделие не подлежит утилизации с бытовыми отходами. Утилизировать изделие надлежащим образом в соответствии с государственными нормами, действующими в вашей стране. Придерживаться национальных или местных нормативов. За информацией по утилизации обращайтесь в местные органы или к вашему дилеру.

CE Европейский знак соответствия

ОБСЛУЖИВАНИЕ

Очищать объектив и корпус лазерного нивелира с помощью мягкой чистой салфетки. Не использовать растворители.

Несмотря на то, что лазерный нивелир обладает определенной стойкостью к пыли и грязи, не следует его хранить в запыленном месте в течение длительного времени, поскольку это может привести к повреждению внутренних подвижных деталей.

Если на лазерный нивелир попала влага, перед использованием высушить его в футляре для переноски во избежание повреждений от ржавчины.

ТЕХНИЧЕСКИЕ ДАННЫЕ

Класс лазера	2
Диапазон автоматического нивелирования	$\pm 4^\circ$
Продолжительность автоматического нивелирования	3 с
Тип батарейки	Li-Ion
Напряжение пост. тока	12V ===
Тип защиты (брызги воды и пыль)	IP54*
Макс. высота над уровнем моря	2000 m
Относительная влажность воздуха, макс.	80%
Степень загрязнения в соответствии с IEC 61010-1	2**
Длительность импульса t_p	$\leq 80 \mu s$
Функции	горизонтальная линия, вертикальных линии, перекрещивающиеся линии, функция отвеса (2 балла)
Частота	10 кГц
Проекция	2 зеленые линии, 2 очка зеленого
Диод Количество	2
Диодный тип	30 mW
Шаблон проецирования лазерных линий	Одна горизонтальная, одна вертикальная + 2 вертикальных точки вверх и вниз, поперечная линия + 2 вертикальных точки (вверх и вниз).
Время работы	15 часов с аккумулятором M12 3.0 Ah
Резьба штатива	1/4" / 5/8"
Подходящий детектор	Milwaukee LLD50

Лазерная линия	Ширина < 9,53mm @ 30m Длина волны 510 - 530 nm класс лазера II Максимальная мощность $\leq 7 \text{ mW}$ Точность +/- 3 mm / 10 m Угол открывания вертикальных линии > 120°; горизонтальная линия > 114° Цвет зеленый Дальность действия 38 м (с детектором 50 м)
Точка отвеса	Длина волны лазерной точки 510 - 530 nm класс лазера II Макс. мощность лазерной точки < 1 мВт Точность отвеса +/- 3 mm / 10 m Цвет лазерной точки зеленый Дальность действия 30 m
Рекомендуемая рабочая температура	от -10 °C до +40 °C
Температура хранения	от -20 °C до +50 °C
Рекомендованные типы аккумуляторных блоков	M12 B...
Габариты	170 mm x 82 mm x 148 mm
Вес (включая батарейки)	1205 g

* Литий-ионный аккумулятор и отсек для аккумулятора не входят в IP54.

** Возникает только непроводящее загрязнение, хотя в некоторых случаях может появиться временная проводимость, вызванная конденсацией.

ИСПОЛЬЗОВАНИЕ ПО НАЗНАЧЕНИЮ

Предпочтительно использовать данное изделие внутри помещений. При использовании на открытом воздухе убедитесь, что условия в помещениях соответствуют общим требованиям.

Этот инновационный лазерный нивелир предназначен для эксплуатации в широком спектре профессиональных областей применения, в том числе для:

- выравнивания керамической плитки, мраморных плит, шкафов, бордюров, фасонных деталей и элементов облицовки;
- нанесения направляющих линий при монтаже дверей, окон, рельсов, лестниц, заборов, веранд или пергол;
- для определения и проверки горизонтальных и вертикальных линий.
- Выравнивание навесных потолков и трубопроводов, разделение стен и выравнивание труб, нивелирование наружных стен для электроустановок

Это изделие допускается эксплуатировать только по указанному назначению.

Точка отвеса

Вертикальное окно лазерной линии

Окошко горизонтальной лазерной линии

Кнопка режима

Короткое нажатие: выбор между лазерными линиями:
 - горизонтальная
 - вертикальная + вертикальная функция
 - поперечные линии + горизонтальная
 Длительное нажатие: переключение нормального режима / режима энергосбережения

Светодиодный дисплей емкость аккумулятора

Микрорегулировка 20° (+/- 10° от центра)

Точка отвеса

Штатив 5/8"

Штатив 1/4"



Светодиодный индикатор выбора луча

- горизонтальных
- вертикали
- пересечение

M12 Аккумуляторная батарея

Маркировка для горизонтального лазерного луча

Поворотная ручка

- OFF Выкл / заблокирован
- ON Вкл / ручной режим
- ON вкл / режим самовыравнивания

Магнитный держатель

Потолочный монтаж



ОБОРУДОВАНИЕ

Аксессуары - Не входят в стандартную комплектацию, доступны как аксессуары.

Терминал LM360



Детектор LLD50

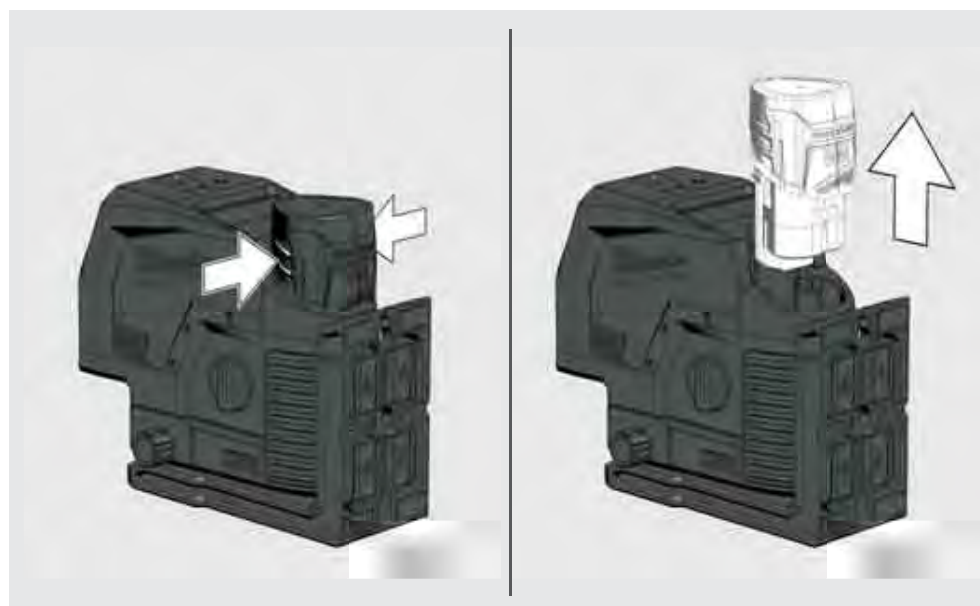
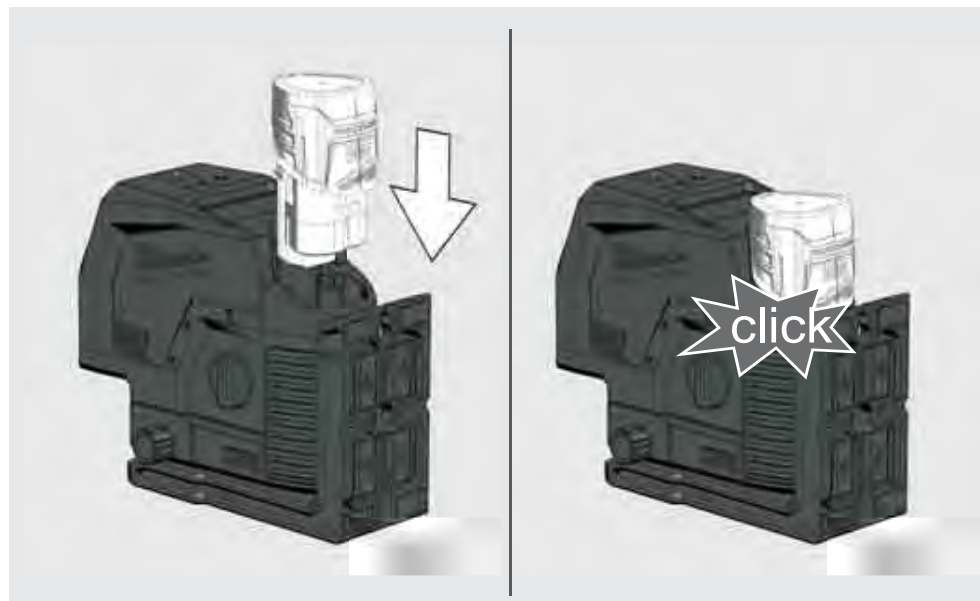


Штатив TRP180



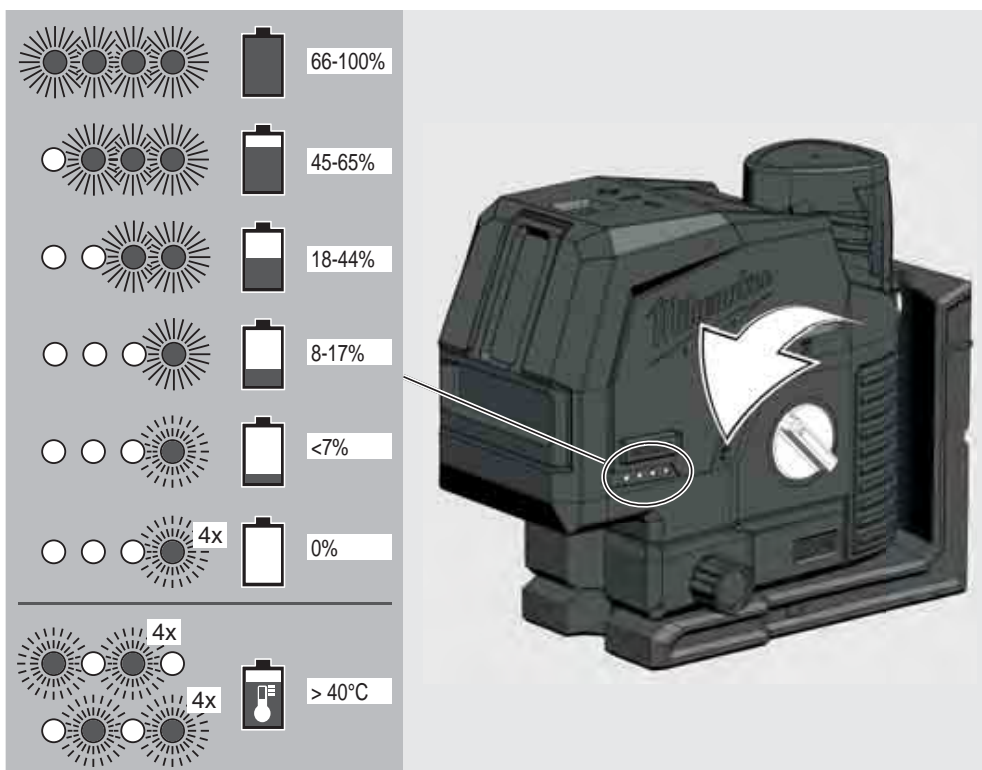
СМЕНИТЬ БАТАРЕЮ

Используйте только аккумуляторную батарею M12 Milwaukee.



ИНДИКАТОР ЗАРЯДА БАТАРЕИ

После включения или выключения лазера указатель уровня топлива покажет срок службы батареи.



ИНДИКАТОР НИЗКОГО УРОВНЯ ЗАРЯДА БАТАРЕИ

Когда напряжение низкое, лазер переключается в режим энергосбережения.
Лазер мигает в режиме самовыравнивания

4 сек. 1 сек.

Лазер мигает в ручном режиме

8 сек. 1 сек.

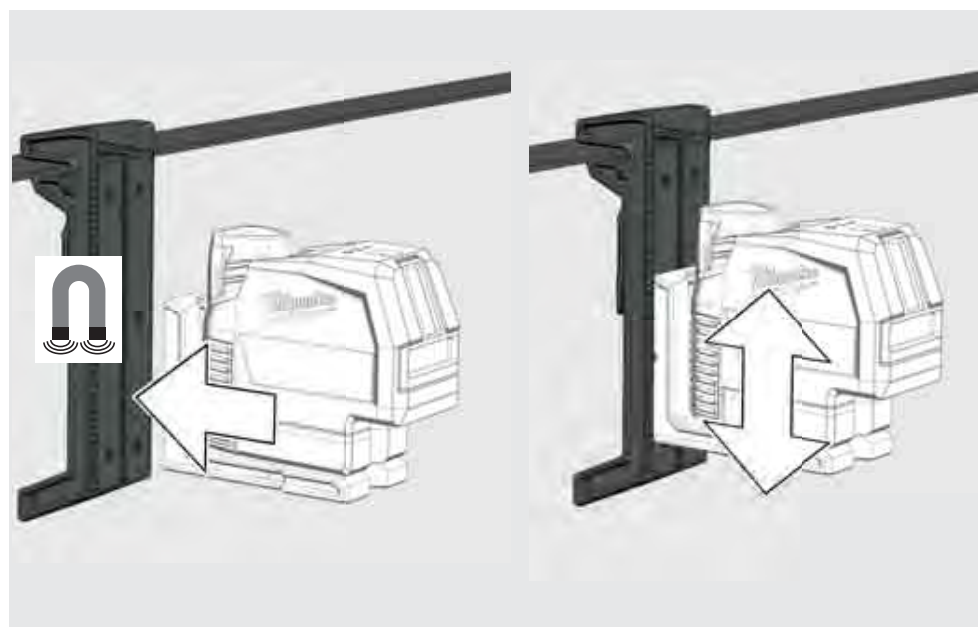
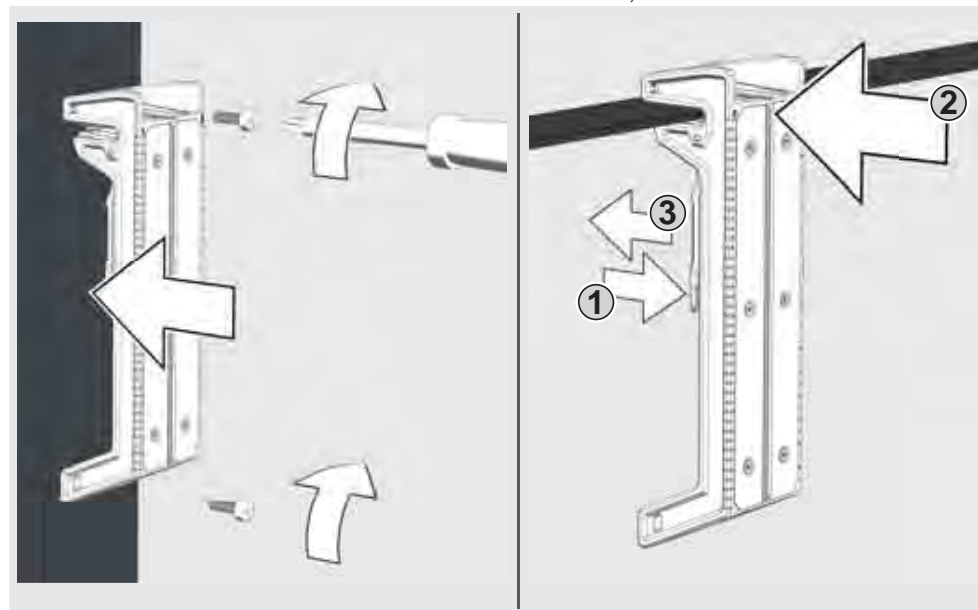
Отныне можно продолжать работу.

Когда напряжение слишком низкое, лазер и светодиод будут мигать 4 раза, и он автоматически отключится.

ПОТОЛОЧНЫЙ МОНТАЖ

Прикрепите гусеничный зажим с помощью винтов к стойке.

Используйте потолочное крепление для крепления лазера к потолочным каналам, стойкам ...

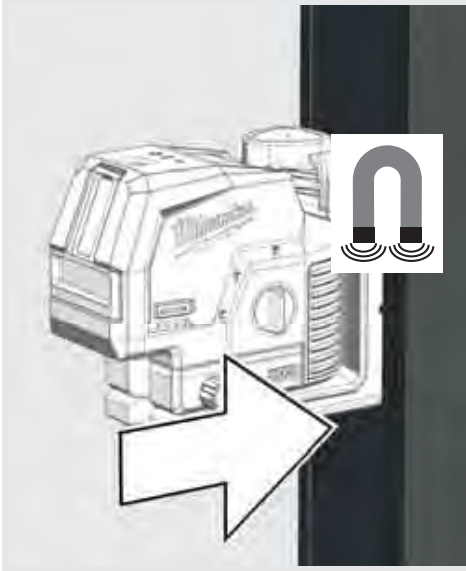


НАСТЕННОЕ КРЕПЛЕНИЕ И ЗЕЛЕНАЯ МИШЕНЬ

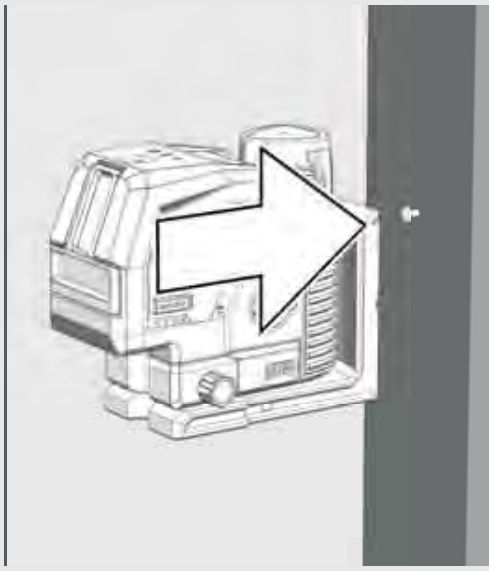
С помощью магнитного настенного кронштейна лазерный нивелир можно крепить к стенам, металлическим конструкциям и пр.

Или исправить с помощью винта или гвоздя на столбе.

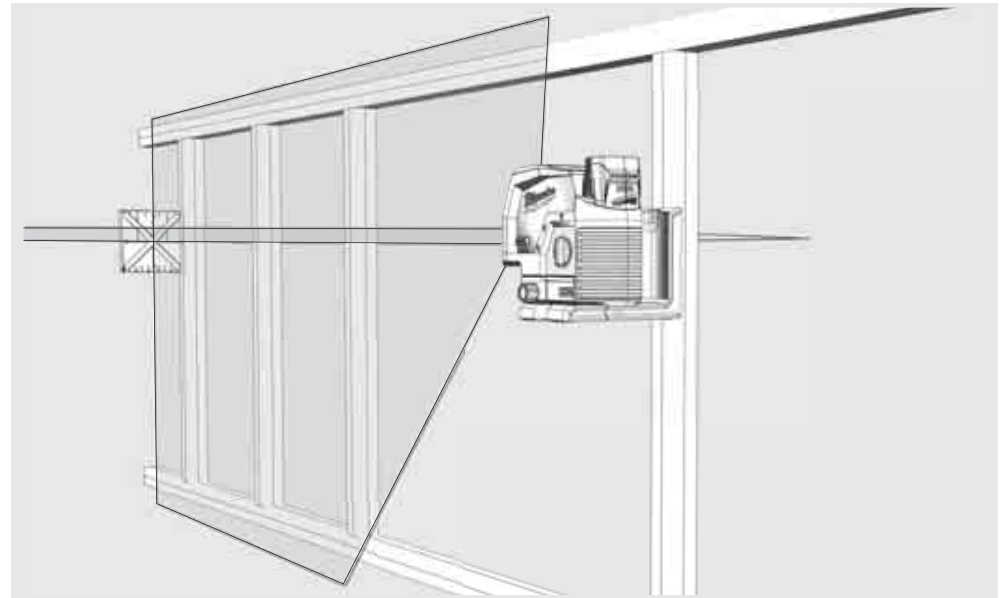
Используйте зеленую мишень для улучшения видимости лазерного луча в неблагоприятных условиях и на больших расстояниях.



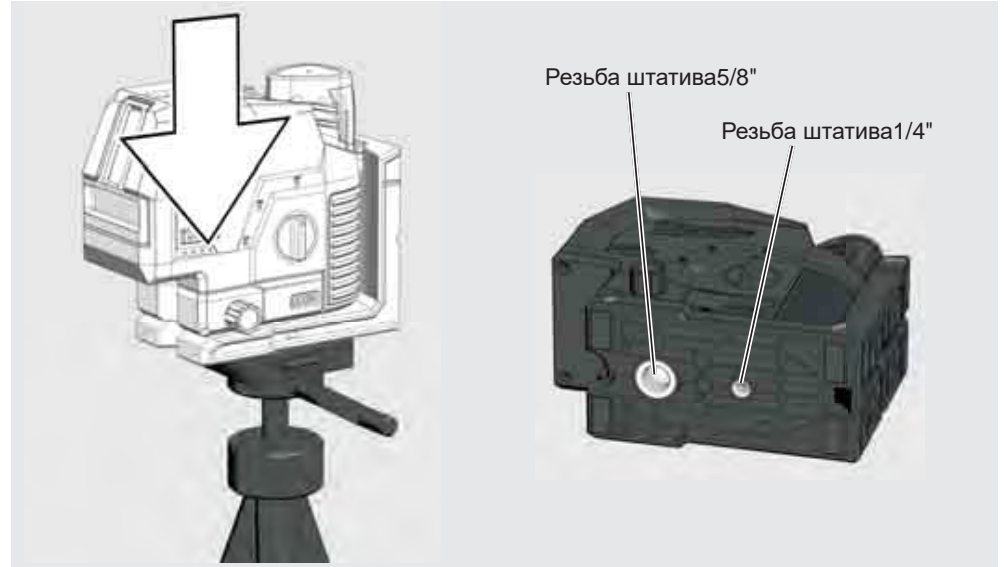
Поверните лазер на 360 °.



Используйте регулировочную ручку для микрорегулировки угла поворота 20 °.



Используйте штатив, чтобы закрепить лазер на штативе.

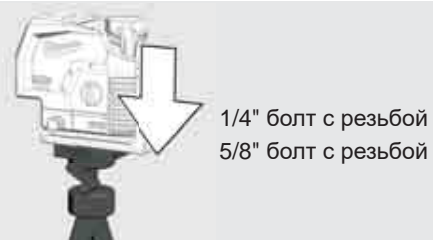


РАБОТА В РЕЖИМЕ АВТОМАТИЧЕСКОГО НИВЕЛИРОВАНИЯ


В режиме автоматического нивелирования лазерный нивелир автоматически выравнивается в диапазоне $\pm 4^\circ$. Для этого проецируются горизонтальная линия, вертикальная линия или обе линии одновременно.

1

Установить лазерный нивелир на прочное, ровное и защищенное от вибраций основание или на штатив.



2

Поверните поворотный переключатель на: 

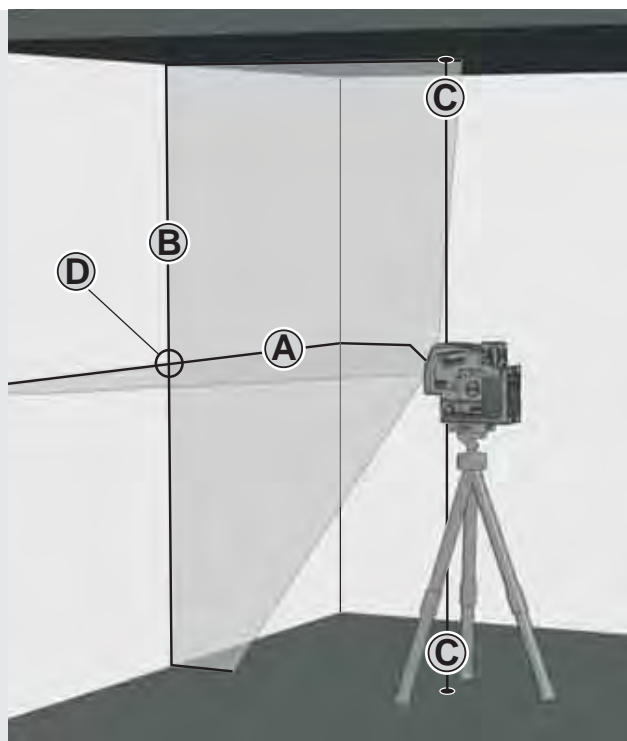


3

Лазерный нивелир генерирует 2 лазерные линии.

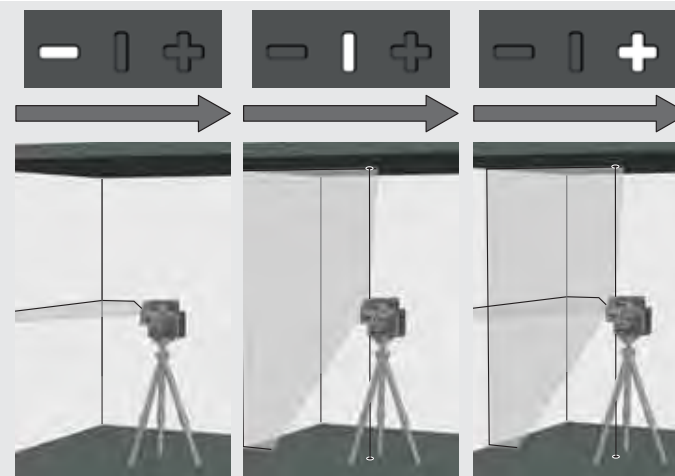
(A) Горизонтальная линия вперед
(B) Вертикальная линия вперед
(C) Лазерная точки

(D) Если все линии активированы, лазерный нивелир генерирует перекрещивающиеся линии вперед.



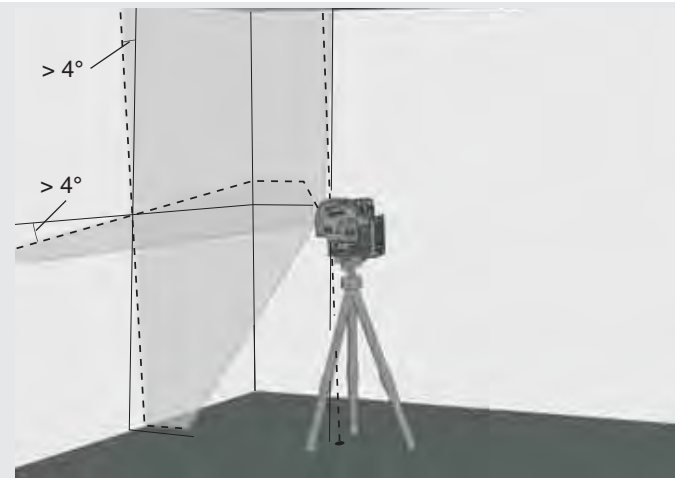
4

Выбрать желаемые линии с помощью кнопки.




5

Если при активном автоматическом нивелировании лазерный нивелир сначала не выровнен до $\pm 4^\circ$, лазерные линии мигают. — — — — . В этом случае следует заново отрегулировать положение лазерного нивелира.



6

Перед перемещением лазера поверните поворотный переключатель на **OFF** . Это блокирует маятниковый компенсатор и защищает лазерный нивелир.



В ручном режиме функция автоматического нивелирования деактивирована, и лазерный нивелир можно устанавливать под любым углом лазерных линий.

1

Установить лазерный нивелир на прочное, ровное и защищенное от вибраций основание или на штатив.



2

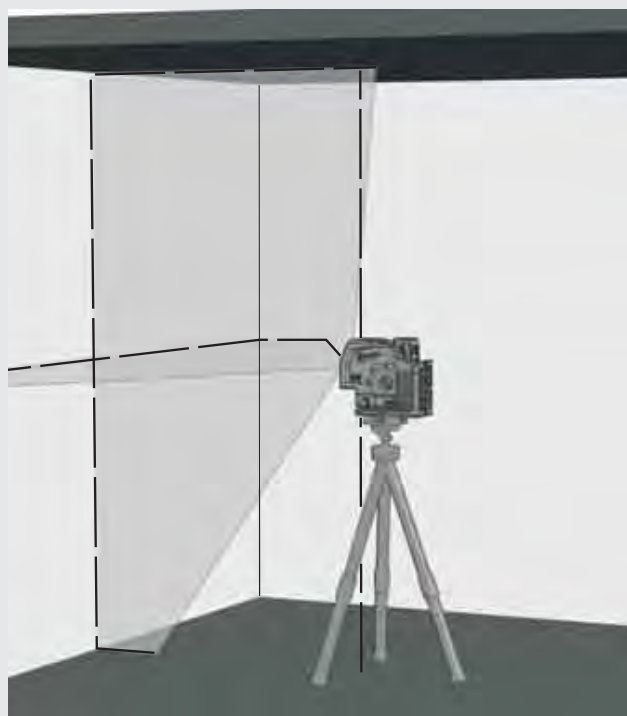
Поверните поворотный переключатель на: **ON**.



3

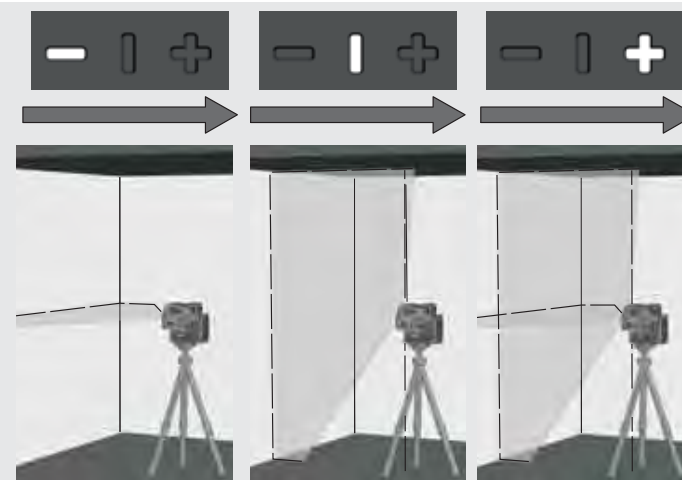
Как и в режиме автоматического нивелирования, лазерный нивелир генерирует 2 лазерные линии, которые, тем не менее, прерываются каждые 8 секунды.

8 сек. 8 сек. 8 сек.



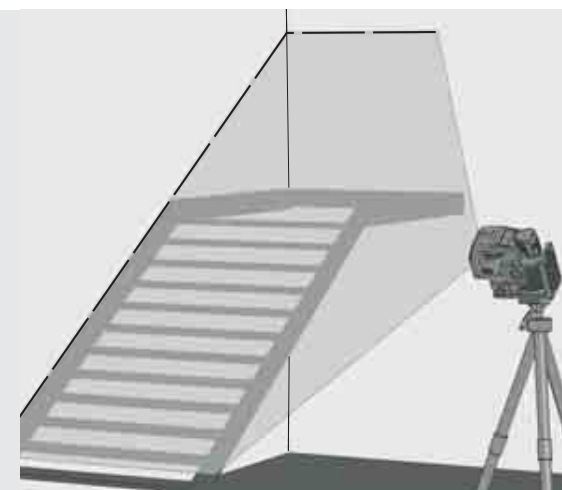
4

Выбрать желаемые линии с помощью кнопки.



5

Отрегулировать лазерный нивелир с помощью штатива на нужную высоту и угол наклона.



6

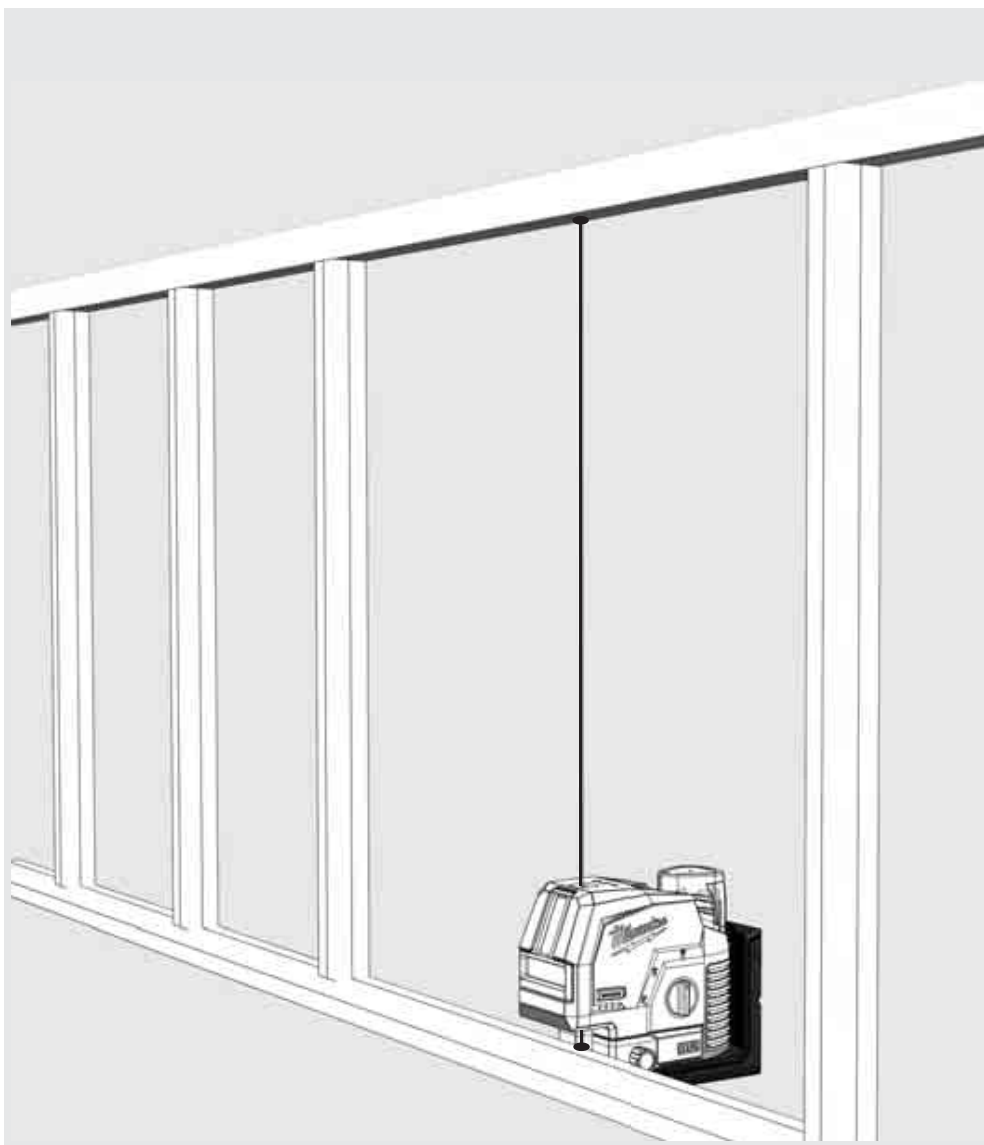
Чтобы выйти из ручного режима,

Поверните поворотный переключатель на: **ON**
или
поверните поворотный переключатель на: **OFF**.



ФУНКЦИЯ ОТВЕСА

Функция отвеса позволяет проецировать точку на полу вертикально к потолку.
Функция отвеса служит, к примеру, для передачи контрольной точки для осветительной и вентиляционной аппаратуры или для переноса отметок по высоте.

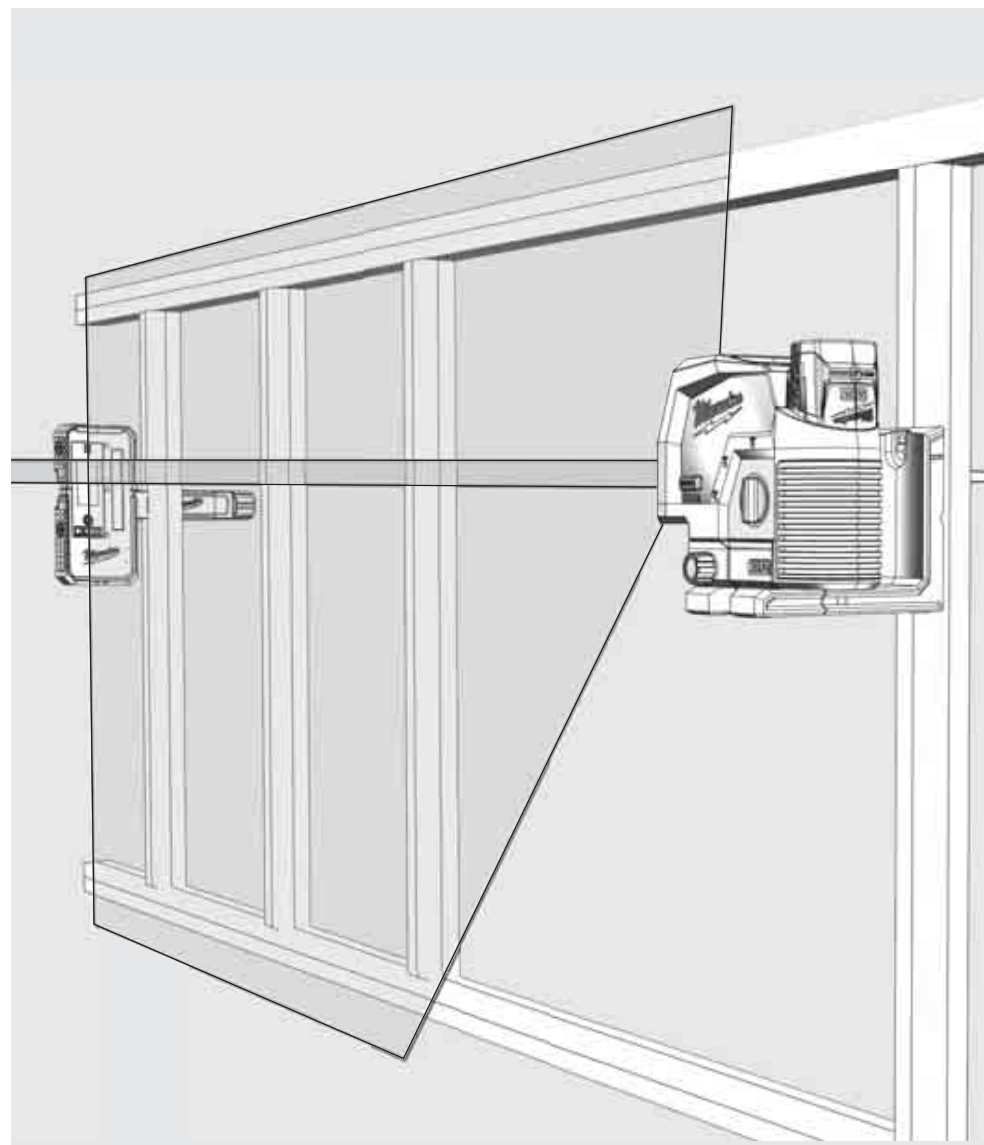


ДЕТЕКТОР

Для работы на открытом воздухе под прямыми солнечными лучами или при ярком освещении, а также для работы на больших расстояниях до 50 метров используйте детектор Милуоки.

Детектор не входит в комплект поставки и приобретается отдельно.

Подробную информацию об использовании детектора см. в руководстве по эксплуатации детектора.



Лазерный нивелир полностью откалиброван на заводе. Компания Milwaukee рекомендует регулярно проверять точность лазерного нивелира, прежде всего после падения или неправильной эксплуатации.

При превышении максимального отклонения при проверке точности обратитесь в один из сервисных центров Milwaukee (см. список с гарантийными условиями и адресами сервисного центра).

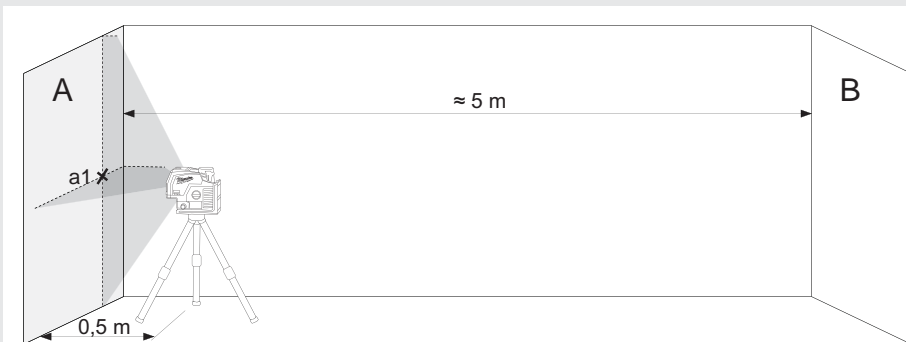
1. Проверка точности горизонтальной линии по высоте.
2. Проверка точности выравнивания горизонтальной линии.
3. Проверка точности выравнивания вертикальной линии.
4. Проверка точности линии отвеса.

Перед проверкой точности установленного на штатив лазерного нивелира



1 ПРОВЕРКА ТОЧНОСТИ ГОРИЗОНТАЛЬНОЙ ЛИНИИ ПО ВЫСОТЕ (ОТКЛОНЕНИЕ ВВЕРХ И ВНИЗ)

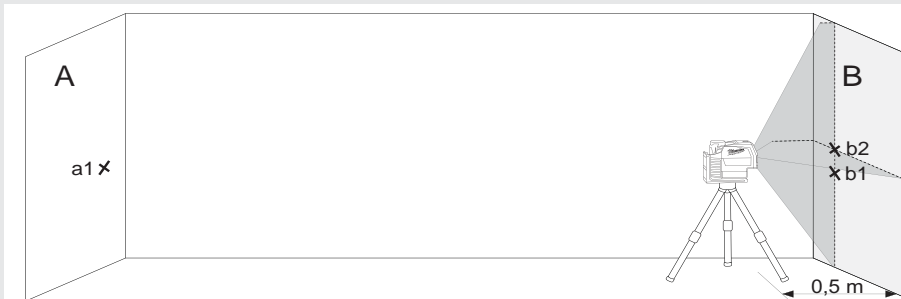
1. Установить лазерный нивелир на штатив или на ровное основание между двумя стенами А и В, удаленными друг от друга примерно на 5 м.
2. Установить лазерный нивелир на расстоянии ок. 0,5 м от стены А.
3. Включить режим автоматического нивелирования и нажать кнопку для проецирования горизонтальной и вертикальной линии на стене А.
4. Отметить точку пересечения обеих линий как точку a1 на стене А.



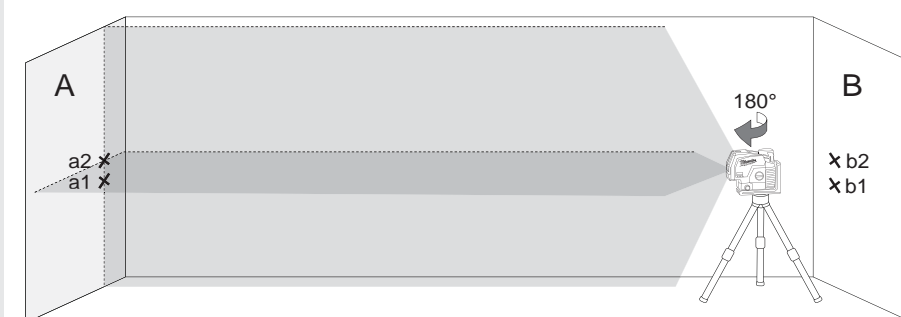
5. Повернуть лазерный нивелир на 180° в направлении стены В и отметить точку пересечения обеих линий как точку b1 на стене В.



6. Установить лазерный нивелир на расстоянии ок. 0,5 м от стены В.
7. Отметить точку пересечения обеих линий как точку b2 на стене В.



8. Повернуть лазерный нивелир на 180° в направлении стены А и отметить точку пересечения обеих линий как точку a2 на стене А.



9. Измерить расстояния:

$$\Delta a = |a2 - a1|$$

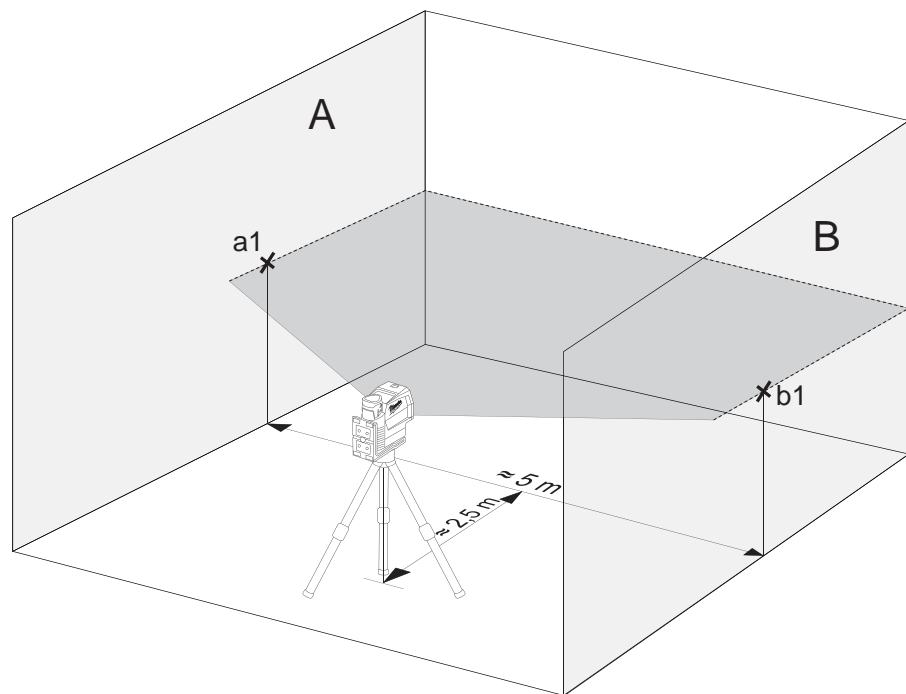
$$\Delta b = |b1 - b2|$$

10. Разница $|\Delta a - \Delta b|$ не должна превышать 2 мм.

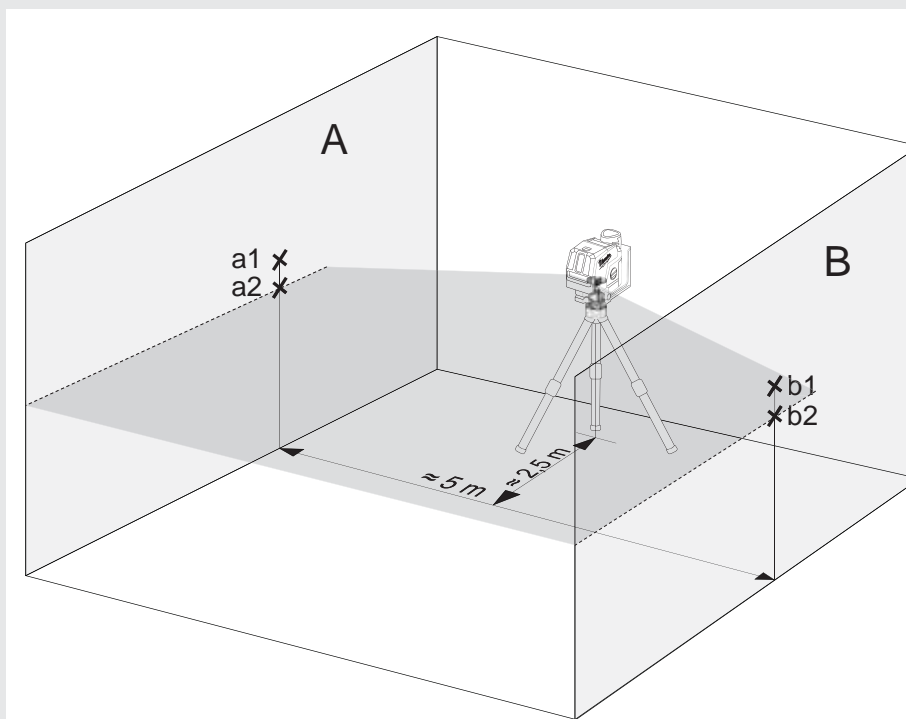
2 ПРОВЕРКА ТОЧНОСТИ ВЫРАВНИВАНИЯ ГОРИЗОНТАЛЬНОЙ ЛИНИИ (ОТКЛОНЕНИЕ ОДНОЙ СТОРОНЫ ОТ ДРУГОЙ)

Для этой проверки требуется свободное пространство площадью ок. 5 × 5 м.

1. Установить лазерный нивелир на штатив или на твердое основание между двумя стенами А и В, удаленными друг от друга примерно на 5 м.
2. Установить лазерный нивелир на расстоянии ок. 2,5 м от центра помещения.
3. Включить режим автоматического нивелирования и нажать кнопку для проецирования горизонтальной линии на стенах А и В.
4. Отметить центр лазерной линии на стене А как а1 и на стене В как b1.



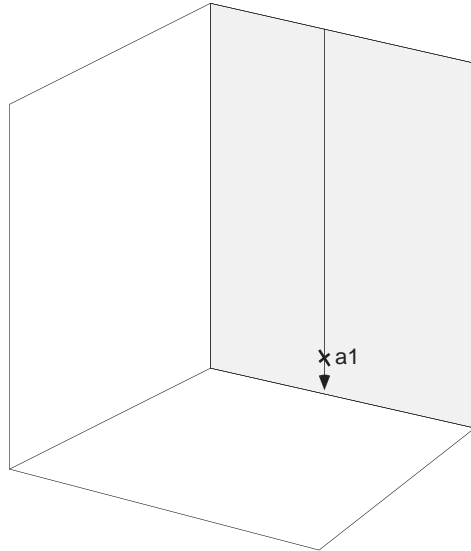
5. Сместить лазерный нивелир примерно на 5 м, повернуть на 180° и заново спроецировать горизонтальную линию на стены А и В.
6. Отметить центр лазерной линии на стене А как а2 и на стене В как b2.



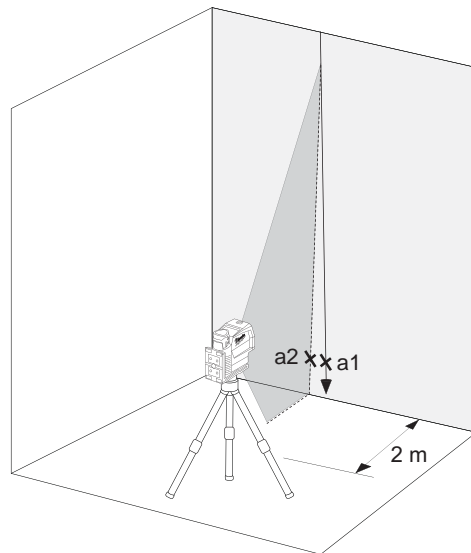
7. Измерить расстояния:
 $\Delta a = |a2 - a1|$
 $\Delta b = |b1 - b2|$
8. Разница $|\Delta a - \Delta b|$ не должна превышать 2 мм.

3 ПРОВЕРКА ТОЧНОСТИ ВЫРАВНИВАНИЯ ВЕРТИКАЛЬНОЙ ЛИНИИ

1. Повесить на стену отвес длиной ок. 4 м.
2. После того как грузик отвеса остановится, отметить на стене точку a_1 над конусом грузика.



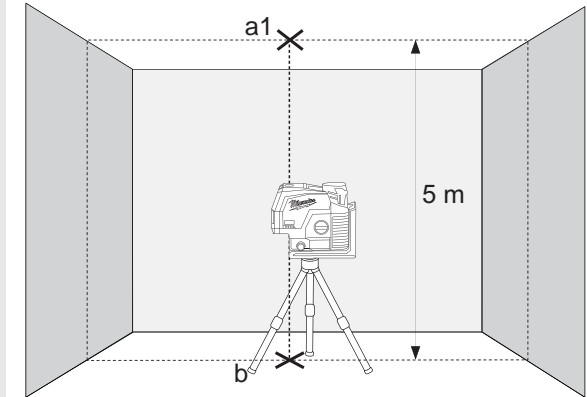
3. Установить лазерный нивелир на штативе или на ровном основании на расстоянии ок. 2 м от стены.
4. Включить режим автоматического нивелирования и нажать кнопку для проецирования вертикальной линии на отвес.
5. Повернуть лазерный нивелир таким образом, чтобы вертикальная линия совпала с подвешенным отвесом.
6. Отметить на стене точку a_2 в центре вертикальной линии на той же высоте, что и a_1 .
7. Расстояние между a_1 и a_2 не должно превышать 1 мм.



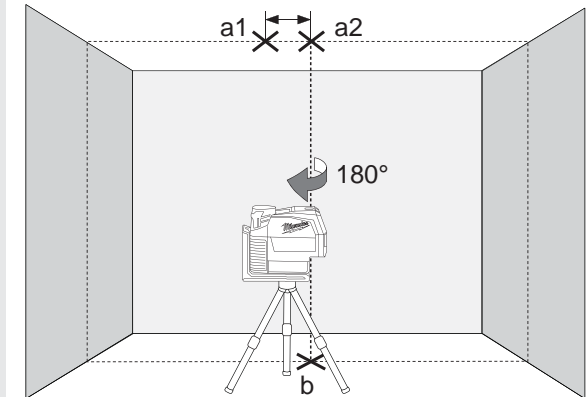
4 ПРОВЕРКА ТОЧНОСТИ ЛИНИИ ОТВЕСА

Для этой проверки требуется помещение с высотой потолка ок. 5 м.

1. Установите поперечный лазер на штатив.
2. Включите режим самовыравнивания и нажмите кнопку, чтобы переключиться в режим «пухлые».
3. Отметьте верхнюю отвесную точку на потолке как точку a_1 (см. Рисунок).
4. Отметьте нижнюю отвесную точку на полу как точку b .



5. Повернуть лазерный нивелир на 180° и поместить его таким образом, чтобы центр точки отвеса попал на уже отмеченную точку b , и дождаться выравнивания прибора.
6. Отметьте верхнюю отвесную точку на потолке как точку a_1 (см. Рисунок).
7. Расстояние между точками a_1 и a_2 на потолке указывает, насколько лазерная линия отклоняется от идеальной отвесной вертикали. При измерительном отрезке 5 м максимальное допустимое отклонение составляет:
 $5 \text{ м} \times (\pm 0,6 \text{ мм/м}) \times 2 = \pm 6 \text{ мм}$.
8. Расстояние между a_1 и a_2 не должно превышать 6 мм.



СЪДЪРЖАНИЕ

Важни инструкции за безопасност	277
Поддръжка.....	278
Технически данни	278
Употреба по предназначение.....	278
Преглед.....	279
Оборудване	280
Смяна на батерията	280
Индикатор за капацитета на батерията	281
Индикатор за ниска батерия	281
Монтаж на тавана	281
Монтаж на стена и зелена табела	282
Работа в режим на самонивелиране.....	283
Работа в ръчен режим.....	284
Функция за спускане на отвес.....	285
Детектор	285
Проверка на точността	286

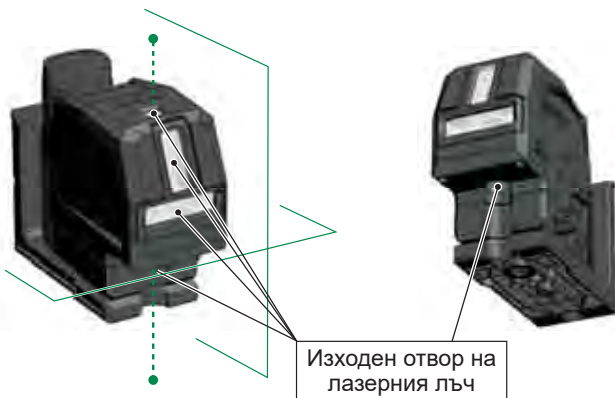
ВАЖНИ ИНСТРУКЦИИ ЗА БЕЗОПАСНОСТ



ВНИМАНИЕ! ПРЕДУПРЕЖДЕНИЕ! ОПАСНОСТ

Не използвайте продукта преди да сте прочули Инструкциите за безопасност и Наръчника на потребителя.

Класификация на лазера



ПРЕДУПРЕЖДЕНИЕ:

Това е лазерен продукт Клас 2, съгласно EN60825-1:2014 .



Предупреждение:

Не излагайте очите директно на лазерния лъч. Лазерният лъч може да предизвика тежки увреждания на очите и/или ослепяване.

Не гледайте директно към лазерния лъч и не насочвайте лазерния лъч без необходимост към други хора.

Бъдете предпазливи! При някои приложения лазерното излъчващо устройство може да се намира зад Вас. В такъв случай се обръщайте внимателно.

Предупреждение:

Не работете с лазера, когато наоколо има деца и не позволявайте на деца да работят с лазера.

Внимание! Рефлектиращи повърхности могат да рефлектират лазерния лъч обратно към оператора или към други лица.

Предупреждение: използването на управляващи устройства и на настройки или изпълнението на процедури, които не отговарят на описаните в наръчника, може да доведе до опасно излагане на радиация.

Ако лазерът се премести от много студена в топла среда (или обратно), преди използване той трябва да достигне околната температура.

Не съхранявайте лазера на открито и го пазете от удари, продължителни вибрации и екстремни температури.

Предпазвайте лазерния уред за измерване от прах, вода и висока влажност на въздуха. Такива могат да унищожат вътрешни компоненти или да повлияят на точността на измерване.

Ако лазерното излъчване попадне в окото, затворете очи и веднага завъртете глава извън обхвата на лъча.

Старайте се да позиционирате лазерния лъч така, че той да не заслепява Вас самите или други хора.

Не гледайте в лазерния лъч с оптични увеличаващи устройства като бинокли или телескопи. В противен случай опасността от тежки увреждания на очите се увеличава.

Обърнете внимание, че очилата за работа с лазер служат за по-добро разпознаване на лазерните линии, но не предпазват от лазерното излъчване.

Предупредителните табелки на лазерното устройство не трябва да се отстраняват или да се заличават.

Не разглобявайте лазера. Лазерното излъчване може да причини тежки наранявания на очите.

Преди транспортиране на лазера се уверете, че заключващият механизъм е фиксиран.

Указание: При нефиксиран заключващ механизъм по време на транспортирането може да се стигне до повреда във вътрешността на устройството.


Не използвайте агресивни почистващи препарати или разтворители. Почиствайте само с чиста, мека кърпа.

Пазете лазера от силни удари и падане. След падане или силни механични въздействия трябва да се провери точността на устройството.


Необходими ремонти на този лазерен уред трябва да бъдат извършвани само от оторизиран сервизен персонал.

Не работете с продукта в опасни участъци или във враждебна среда.

Преди по-продължително извеждане на устройството от употреба извадете батериите от отделението за батерии. Така могат да се предотвратят изтичането на батериите и свързаните с него корозионни щети.

 Изтощени батерии не трябва да се изхвърлят заедно с битови отпадъци. Грижете се за околната среда и ги давайте в пунктове за събиране, съгласно националното и местно законодателство. Продуктът не трябва да се изхвърля заедно с битови отпадъци.

Изхвърляйте продукта по начин, който е в съответствие с валидните за вашата страна националните разпоредби в тази връзка. Спазвайте специфичното национално и местно законодателство. Обърнете се към местните власти или към Вашия търговец за повече информация относно изхвърлянето.

 Европейски знак за съответствие

ПОДДРЪЖКА

Почиствайте обектива и корпуса на лазера с мека, чиста кърпа. Не използвайте разтворители.

Дори когато лазерът до известна степен е устойчив на въздействието на прах и замърсявания, той не трябва да се съхранява продължително на прашно място, тъй като в противен случай вътрешните подвижни части могат да се повредят.

Ако лазерът се намокри, преди поставянето му в преносимия куфар той трябва да изсъхне, за да не възникнат корозионни щети.

ТЕХНИЧЕСКИ ДАННИ

Клас на лазера	2
Диапазон на самонивелиране	$\pm 4^\circ$
Време за самонивелиране	3 сек
Тип батерия	Li-Ion
Напрежение DC	12V ===
Вид защита (водни пръски и прах)	IP54*
Макс. надморска височина	2000 m
Относителна влажност на въздуха макс.	80%
Степен на замърсяване съгласно IEC 61010-1	2**
Продължителност на импулса t_p	$\leq 80 \mu s$
Функции	Хоризонтална линия, вертикални линии, кръстосани линии, функция за спускане на отвес (2 точки)
Честота	10 kHz
Прожекции	2 зелени линии, 2 точки зелено
Количество диоди	2
Диоден тип	30 mW
Модел на изходните лазерни линии	Единична хоризонтална, единична вертикална + 2 отвесни точки нагоре и надолу, напречна линия + 2 отвесни точки (нагоре и надолу).
Време на експлоатация	155 часа с акумулатор M12 3.0 Ah
Резба на статива	1/4" / 5/8"
Подходящ детектор	Milwaukee LLD50

Лазерна линия	Ширина	< 9,53mm @ 30m
	Дължина на вълната	510 - 530 nm Клас на лазера II
	Максимална мощност	$\leq 7 \text{ mW}$
	Точност	+/- 3 mm / 10 m
	Ъгъл на отваряне	вертикални линии > 120°; Хоризонтална линия > 114°
	Цвят	зелен
	Обхват	38 m (с детектор 50 m)
Точка на отвес	Дължина на вълната	510 - 530 nm Клас на лазера II
	Макс. мощност лазерна точка	< 1 mW
	Точност на отвеса	+/- 3 mm / 10 m
	Цвят на лазерната точка	зелен
	Обхват	30 m
Препоръчителна работна температура		-10 °C до +40 °C
Температура на съхранение		-20 °C до +50 °C
Препоръчителни видове акумулаторни батерии		M12 B...
Размери		170 mm x 82 mm x 148 mm
Тегло (вкл. батерии)		1205 g

* Литиево-йонната акумулаторна батерия и отделението за акумулаторната батерия са изключени от IP54.

** Настъпва само замърсяване, нарушаващо проводимостта, при което все пак се очаква временна проводимост, предизвикана от кондензация.

УПОТРЕБА ПО ПРЕДНАЗНАЧЕНИЕ

Продуктът е предназначен основно за употреба в закрити помещения. При експлоатация на открито се уверете, че рамковите условия съответстват на тези в закрити помещения.

Този иновативен лазер е конструиран за широк професионален спектър на приложение като напр.:

- Подравняване на плочки, мраморни плочи, шкафове, бордюри, профили и обшивки
 - Маркиране на основни линии за вграждане на врати, прозорци, релси, стълби, огради, портали, веранди и беседки.
 - За определяне и проверка на хоризонтални и вертикални линии.
 - Нивелиране на окачени тавани и тръбопроводи, разделяне на прозорци и подравняване на тръби, нивелиране на ограждащи стени за електрически инсталации
- Този продукт може да се използва по предназначение само както е посочено.

Точка на отвес

Вертикален прозорец с лазерна линия

Прозорец хоризонтална лазерна линия

Бутон за режим

Кратко натискане: Изберете между лазерни линии:

- хоризонтални
- вертикални + функция отвес
- напречни линии + функция отвес

Дълго натискане: превключване на нормален режим / режим на пестене на енергия

LED дисплей капацитет на батерията

20 ° микро регулиране (+/- 10 ° от центъра)

Точка на отвес

Триножник 5/8 "

Триножник 1/4 "

LED дисплей лазерна линия

- хоризонтална
- вертикална
- + кръстосана линия

M12 Батерия

Маркиране за хоризонталния лазерен лъч

Ротационно копче

- OFF Изключено / заключено
- ON Вкл. / Ръчен режим
- ON включен / самонивелиращ режим

Магнитен държач

Монтаж на тавана



ОБОРУДВАНЕ

Акcesoари - Не са включени в стандартното оборудване, предлага се като акcesoари.

Терминал LM360



Детектор LLD50

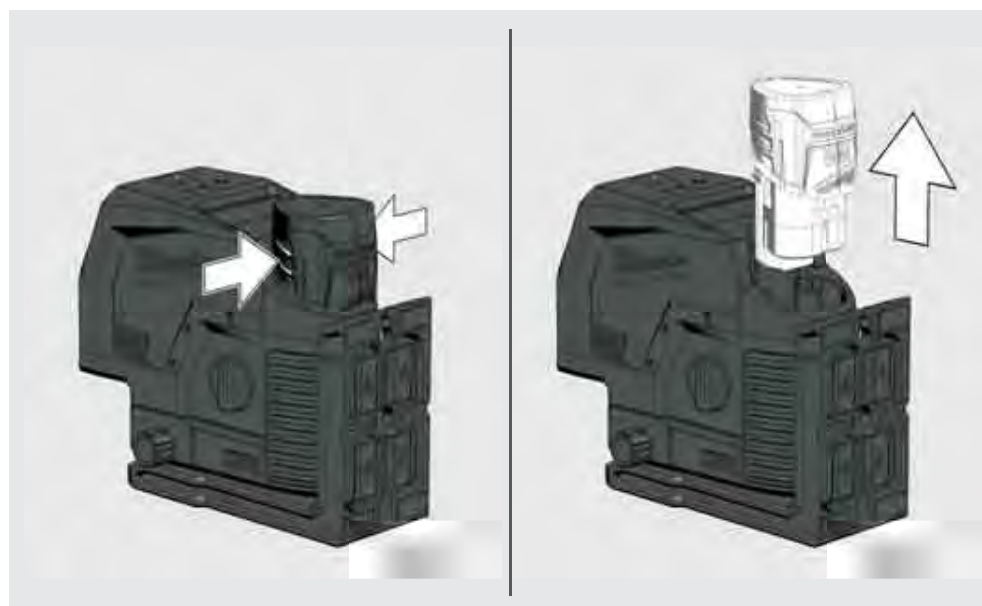
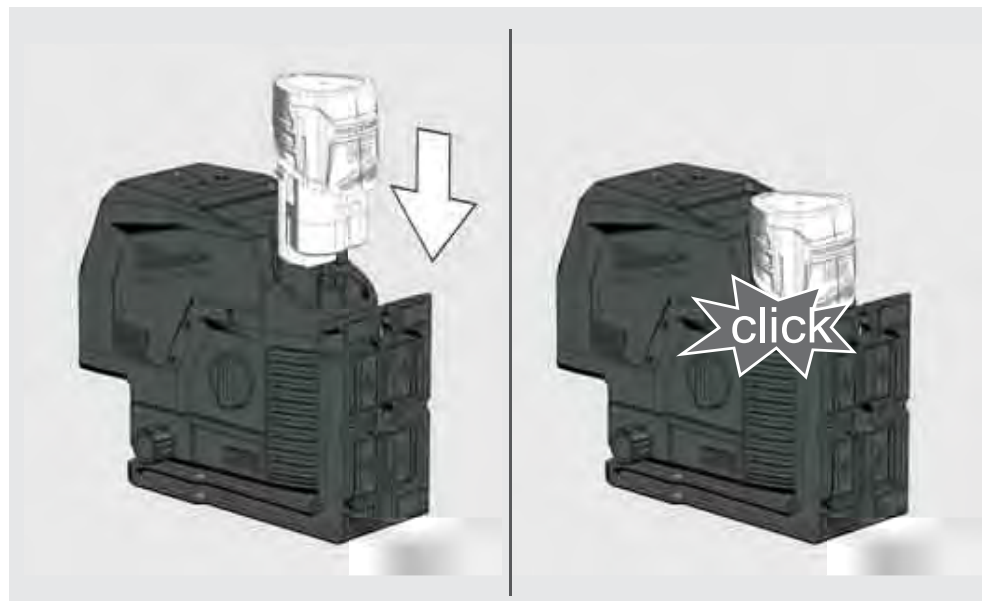


Статив TRP180



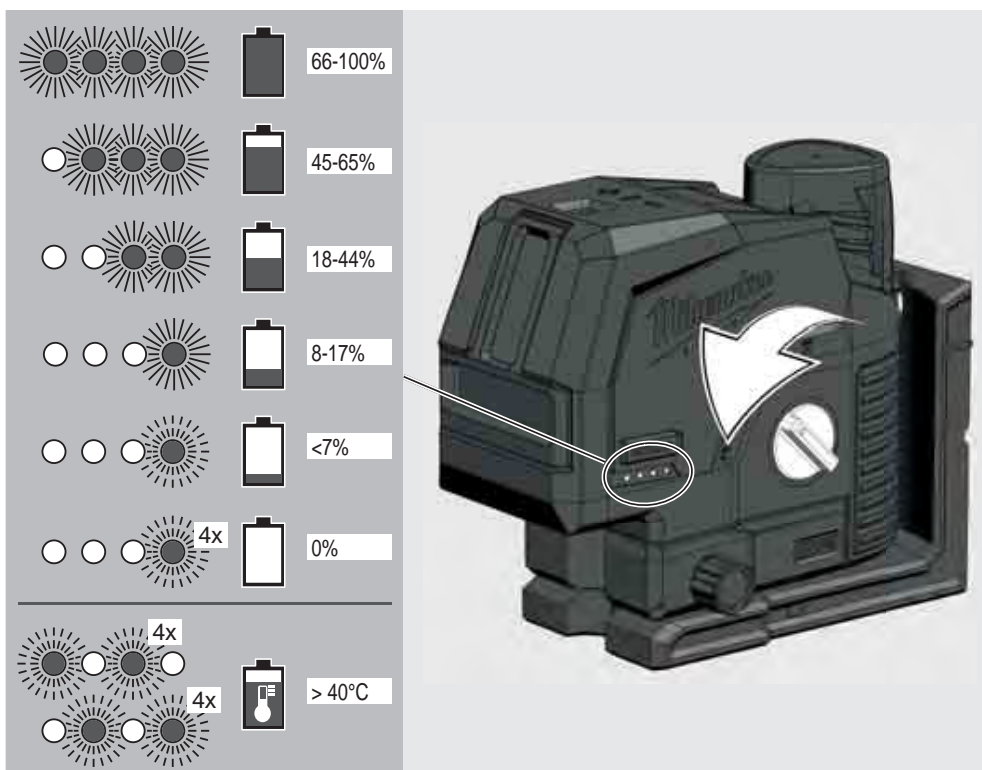
СМЯНА НА БАТЕРИЯТА

Използвайте само акумулаторна батерия в Милуоки М12.



ИНДИКАТОР ЗА КАПАЦИТЕТА НА БАТЕРИЯТА

След включване или изключване на лазера, габаритът ще покаже живота на батерията.



ИНДИКАТОР ЗА НИСКА БАТЕРИЯ

Когато напрежението е ниско, лазерът преминава в режим на пестене на енергия. Лазерът мига в самонивелиращ се режим

4 сек. 1 сек.

Лазерът мига в ръчен режим

8 сек. 1 сек.

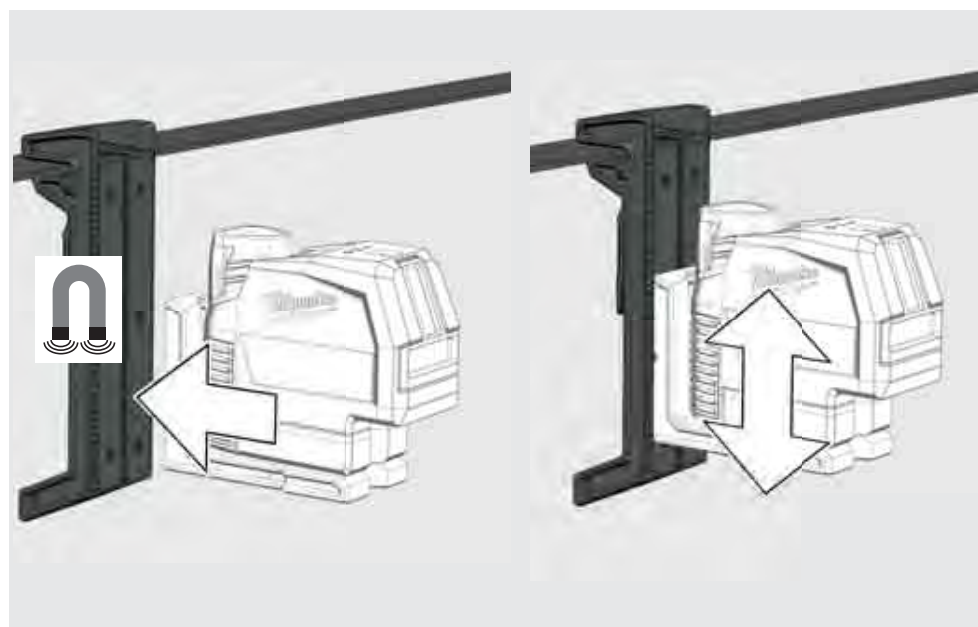
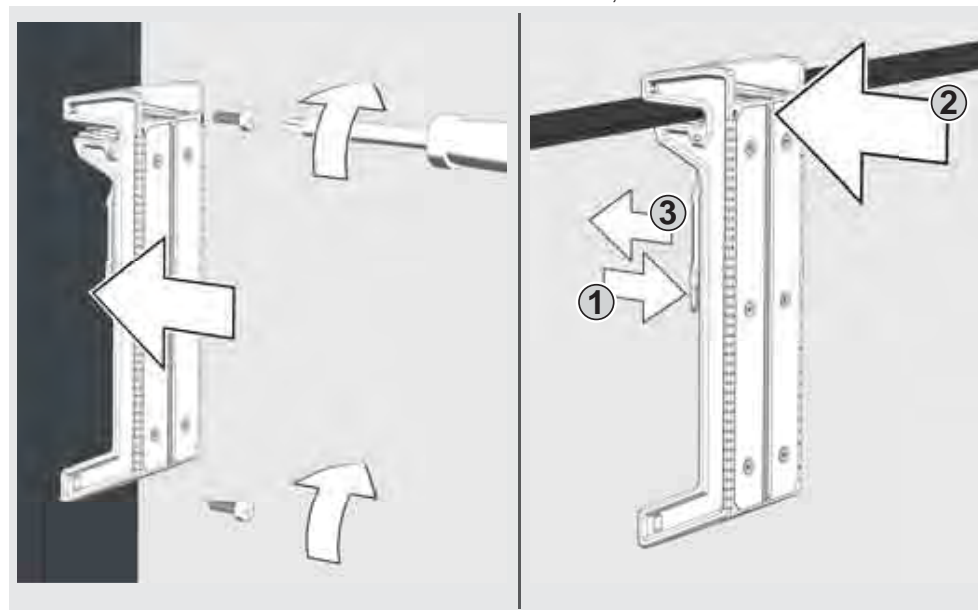
Оттук нататък все още е възможно да се продължи работата.

Когато напрежението е ниско, лазерът и светодиодът ще мигат 4 пъти и той автоматично се изключва.

МОНТАЖ НА ТАВАНА

Фиксирайте клипчето с винтове към стълб.

Използвайте стойката за таван, за да закрепите лазера към каналите за тавана, стелажите ...

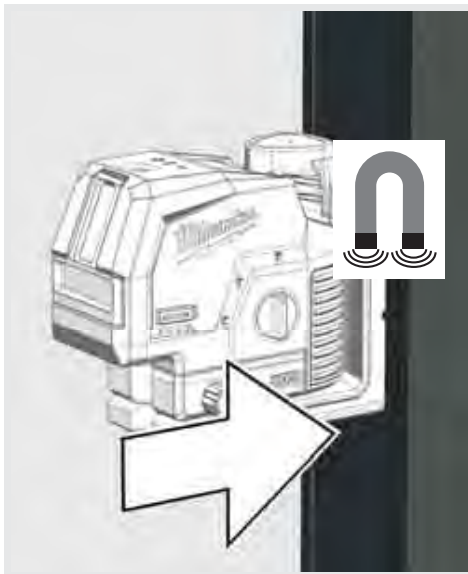


МОНТАЖ НА СТЕНА И ЗЕЛЕНА ТАБЕЛА

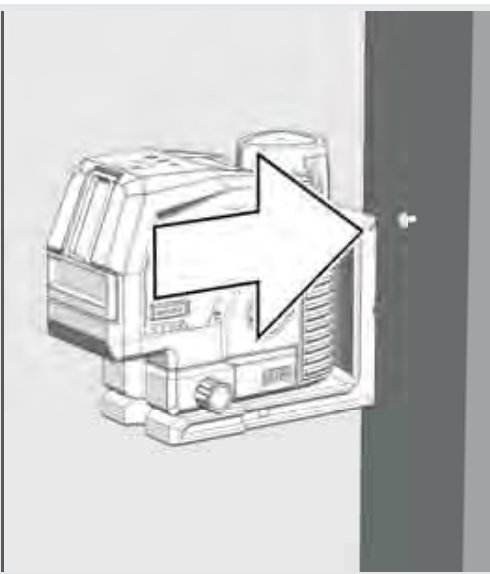
С магнитния стенен държач лазерът може да се закрепва към стени, метални структури или др. подобни.

Или фиксирайте с винт или пирон на стълб.

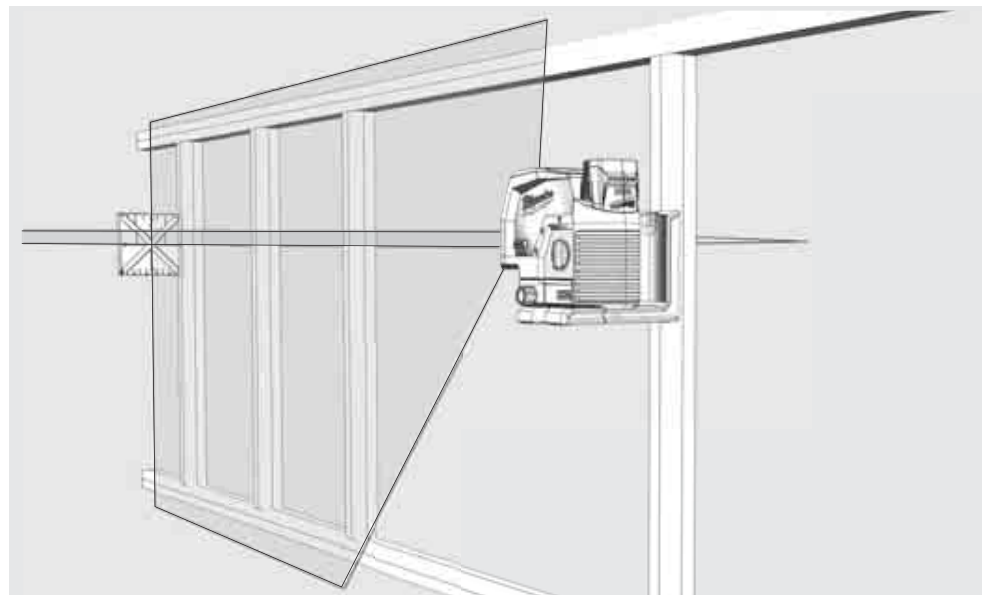
Използвайте зелената целева плоча, за да подобрите видимостта на лазерния лъч при неблагоприятни условия и на по-големи разстояния.



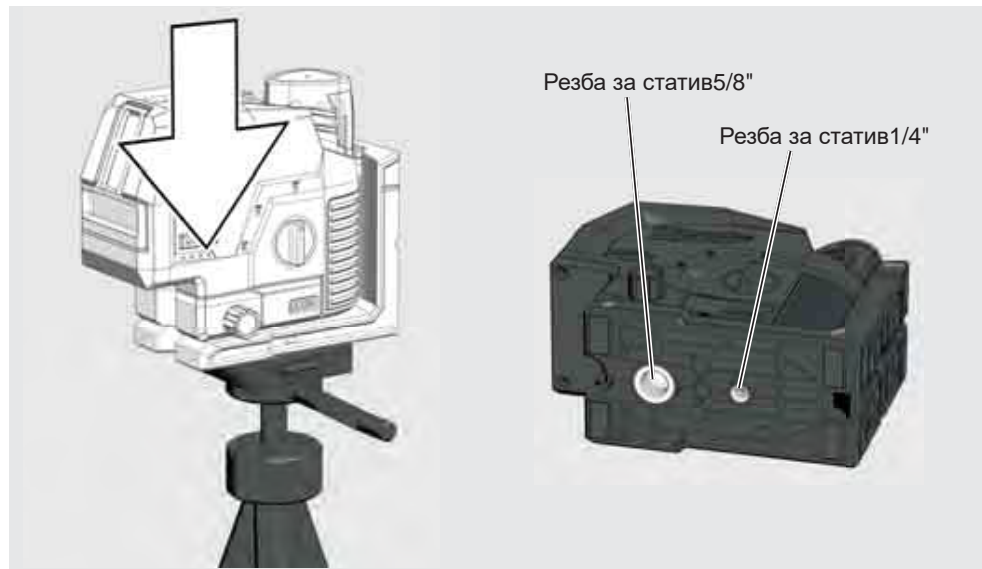
Завъртете лазера на 360 °.



Използвайте копчето за настройка за 20 ° въртене на микро регулиране



Използвайте стойката за статив, за да фиксирате лазера върху статив.

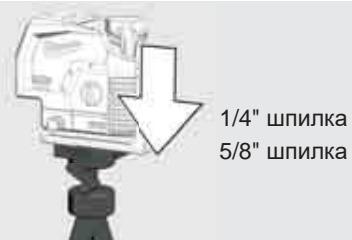


РАБОТА В РЕЖИМ НА САМОНИВЕЛИРАНЕ

В режим на самонивелиране лазерът се насочва самостоятелно в диапазон от $\pm 4^\circ$. За целта се прожектират хоризонтална линия, вертикална линия или двете линии едновременно.

1

Поставете лазера върху здрава, равна основа без вибрации или го монтирайте върху статив.



1/4" шпилка
5/8" шпилка

2

Завъртете въртящия превключвател на: **ON**

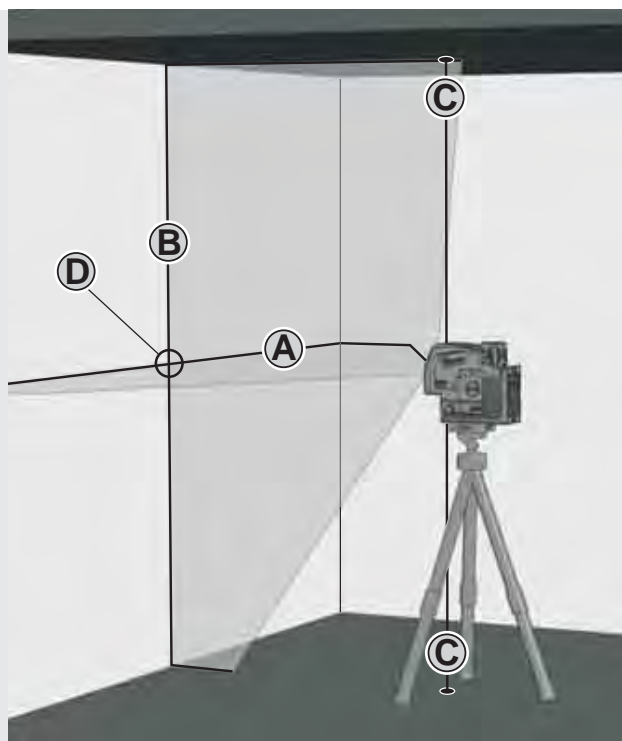


3

Лазерът създава 2 лазерни линии.

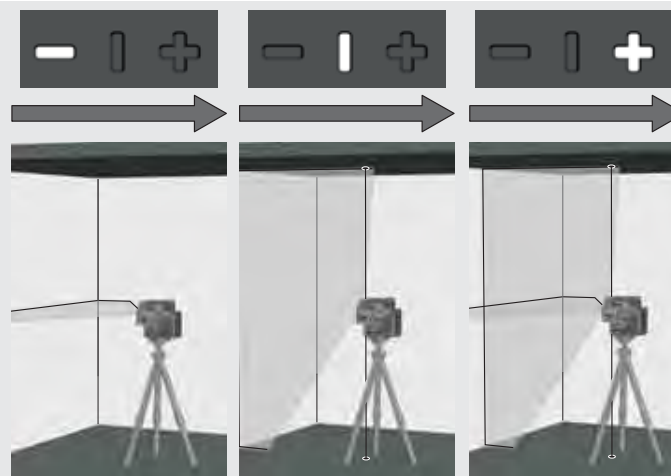
(A) Хоризонтална линия напред
(B) Вертикална линия напред
(C) Лазерна точка

(D) Когато всички линии са активирани, лазерът създава кръстосани линии напред.



4

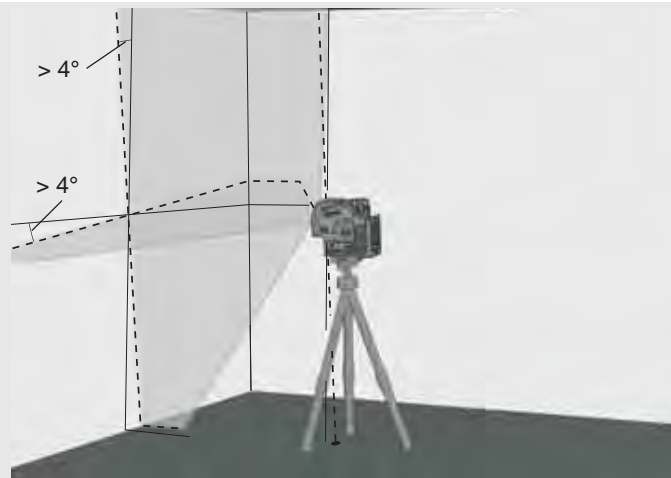
Изберете желаните линии с бутона.



5

Когато при активирано самонивелиране лазерът в началото не е насочен на $\pm 4^\circ$, лазерните линии мигат.

В такъв случай позиционирайте лазера наново.



6

Преди да преместите лазера, завъртете въртящия превключвател на **OFF**. По този начин махалото се фиксира и лазерът е защитен.



РАБОТА В РЪЧЕН РЕЖИМ

В ръчен режим функцията за самонивелиране е деактивирана и лазерът може да се настрои на всякакъв произволен наклон.

1

Поставете лазера върху здрава, равна основа без вибрации или го монтирайте върху статива.



2

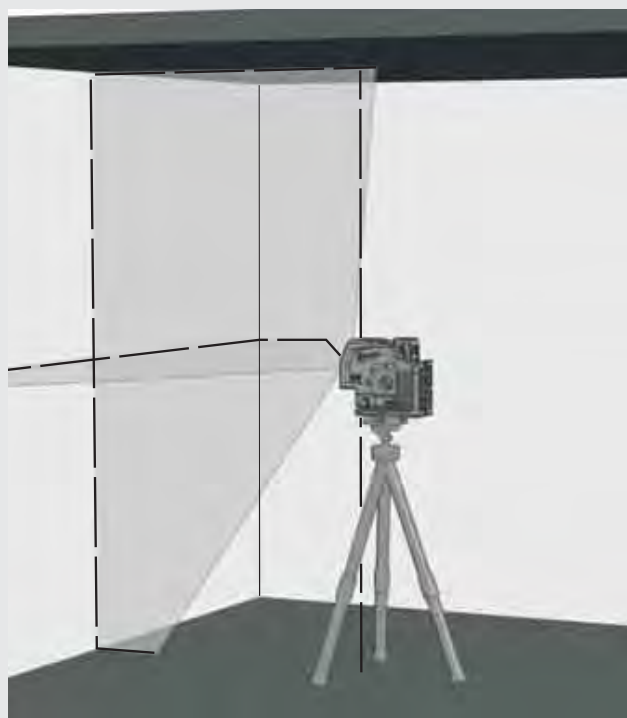
Завъртете въртящия превключвател на: **ON**.



3

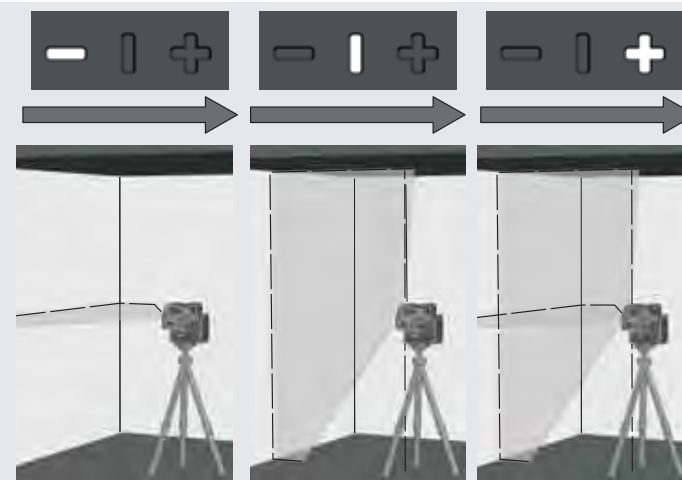
Както в режима за самонивелиране, лазерът създава 2 лазерни линии, които все пак се прекъсват на всеки 8 секунди.

8 сек. 8 сек. 8 сек.



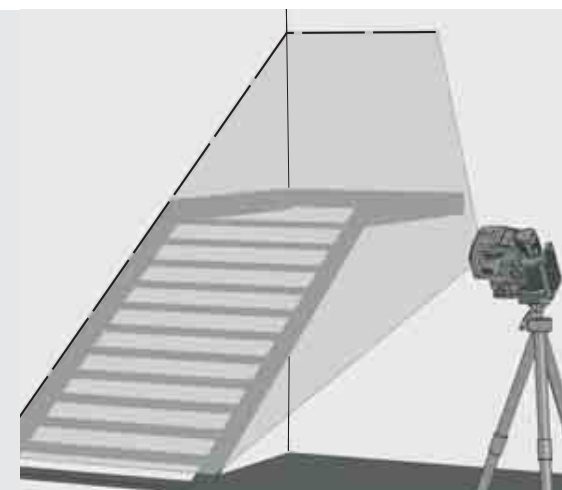
4

Изберете желаните линии с бутона.



5

Настройте лазера с помощта на статива на желаните височина и наклон.



6

За да излезете от ръчен режим,

Завъртете въртящия превключвател на: **ON**
или

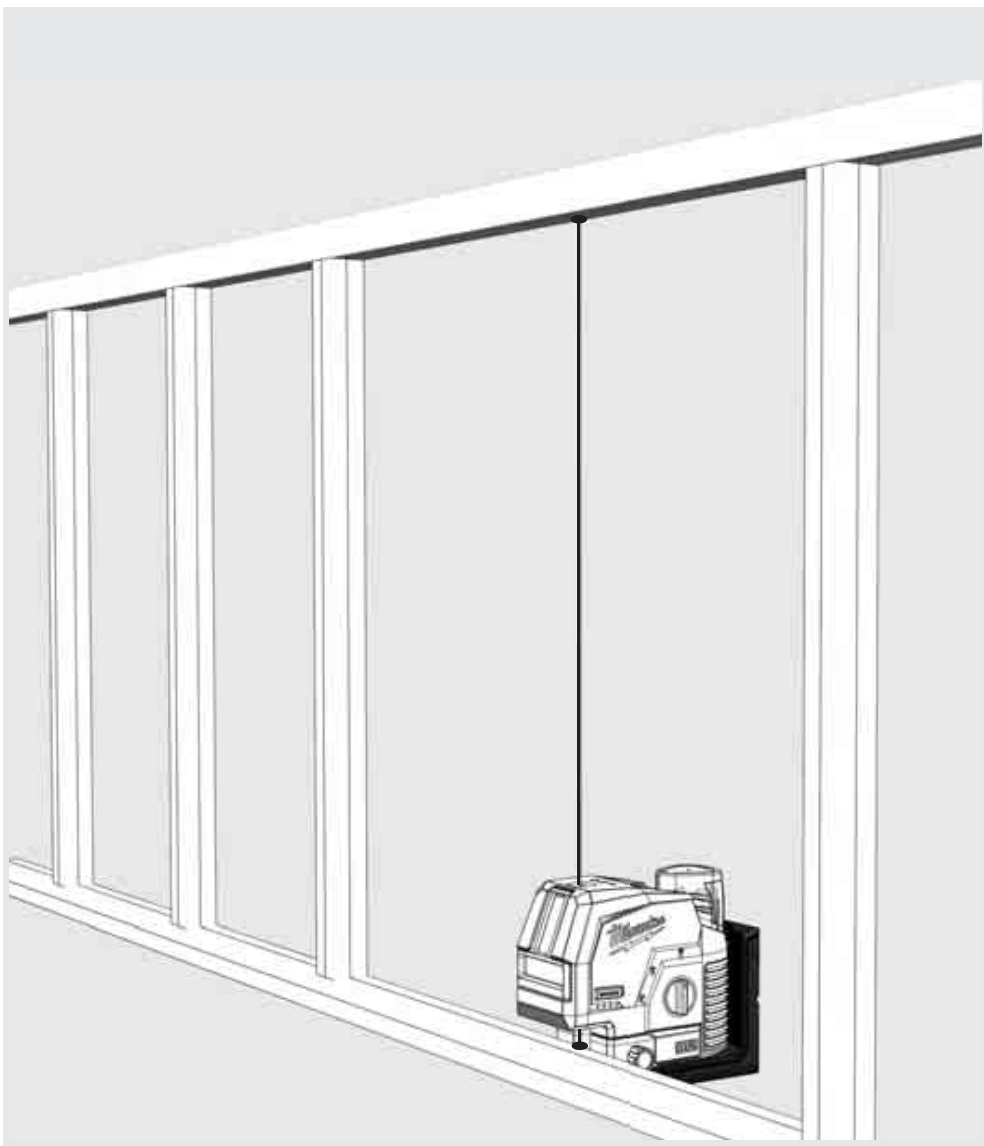
завъртете въртящия превключвател на: **OFF**.



ФУНКЦИЯ ЗА СПУСКАНЕ НА ОТВЕС

С функцията за спускане на отвес точка от пода може да се прожектира вертикално към тавана.

Функцията за спускане на отвес служи например за прехвърляне на референтна точка за осветителна и вентилационна инсталация или за прехвърляне на височини.

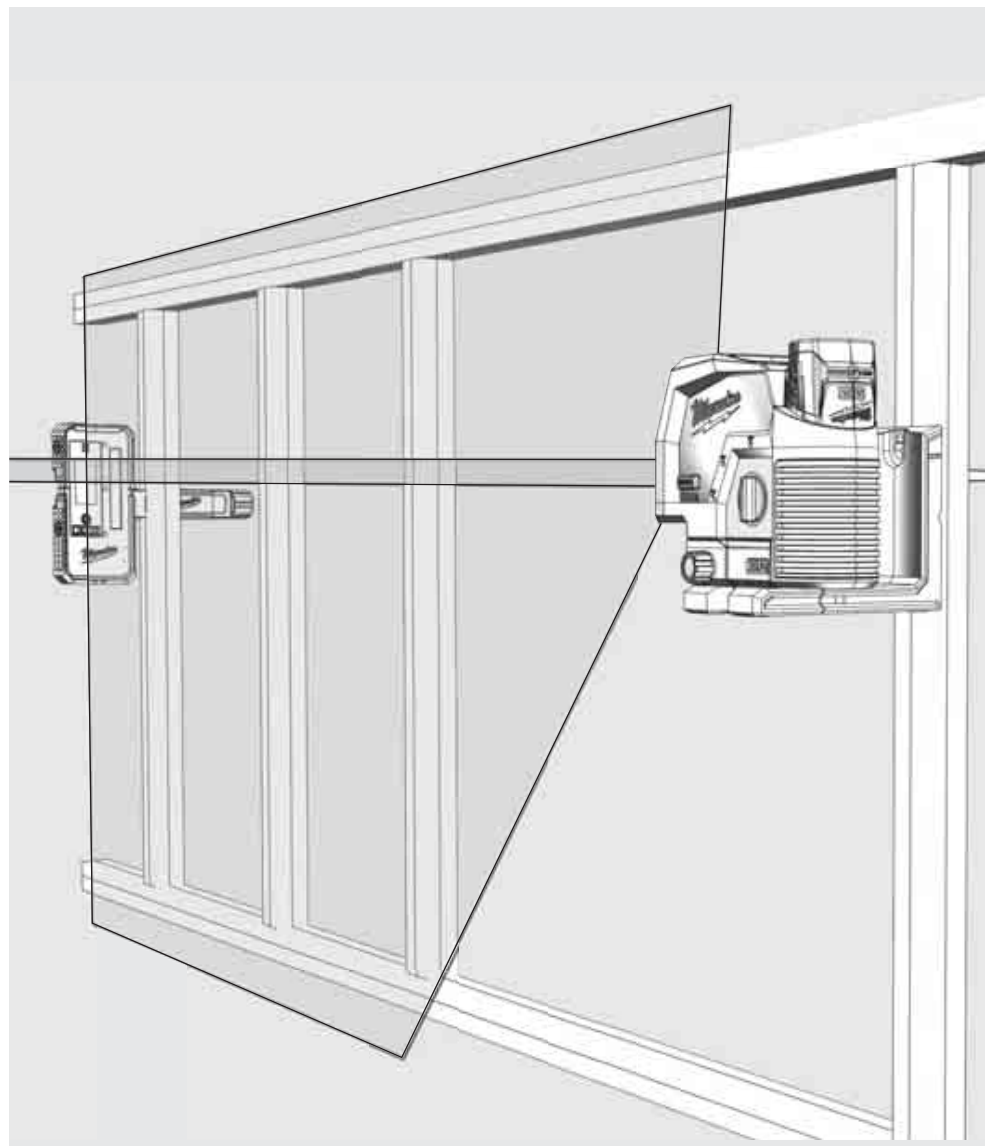


ДЕТЕКТОР

За работа на открито при пряка слънчева светлина или при ярки условия и за разширени обхвати на закрито до 50 метра използвайте детектора на Милуоки.

Детекторът не е включен в обхвата на доставката и трябва да бъде закупен отделно.

Подробна информация за използването на детектора ще намерите в ръководството за експлоатация на детектора.



Лазерът фабрично се калибрира напълно. Milwaukee препоръчва точността на лазера да се проверява редовно, най-вече след падане или вследствие на неправилна употреба.

Ако при проверката на точността максималното отклонение бъде надвишено, моля, обърнете се към сервизния център на Milwaukee (вижте списъка с гаранционните условия и адресите на сервизните центрове).

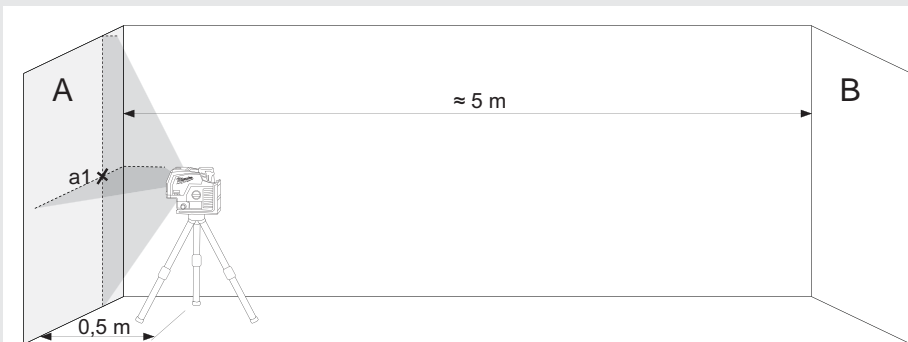
1. Проверка на точността на височината на хоризонталната линия.
2. Проверка на точността на нивелиране на хоризонталната линия.
3. Проверка на точността на нивелиране на вертикалната линия.
4. Проверка на точността на отвеса.

Преди проверката на точността на монтирания върху статива лазер контролирайте нивелирането на статива.

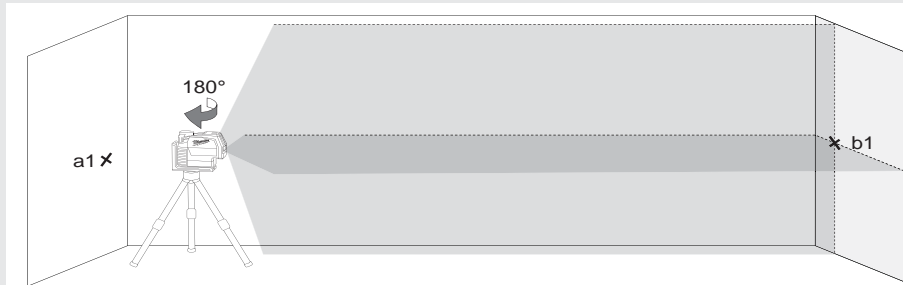


1 ПРОВЕРКА НА ТОЧНОСТТА НА ВИСОЧИНАТА НА ХОРИЗОНТАЛНАТА ЛИНИЯ (ОТКЛОНЕНИЕ НАГОРЕ И НАДОЛУ)

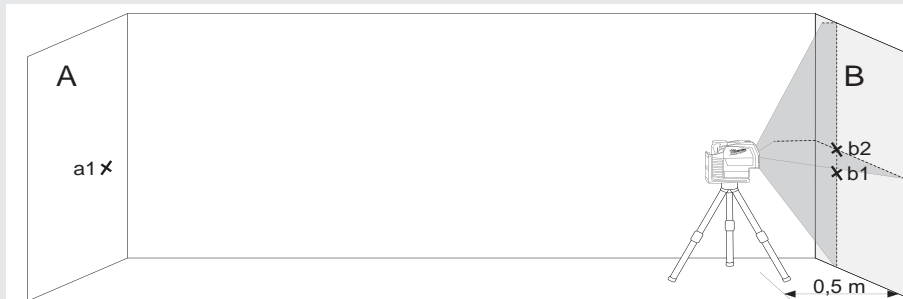
1. Поставете лазера върху статив или равна основа между две стени А и В с разстояние между тях прилб. 5 m.
2. Позиционирайте лазера на разстояние прилб. 0,5 m от стена А.
3. Включете режима на самонивелиране и натиснете бутона, за да прожектирате хоризонталната и вертикалната линия на стена А.
4. Маркирайте пресечната точка на двете линии като точка a1 върху стена А.



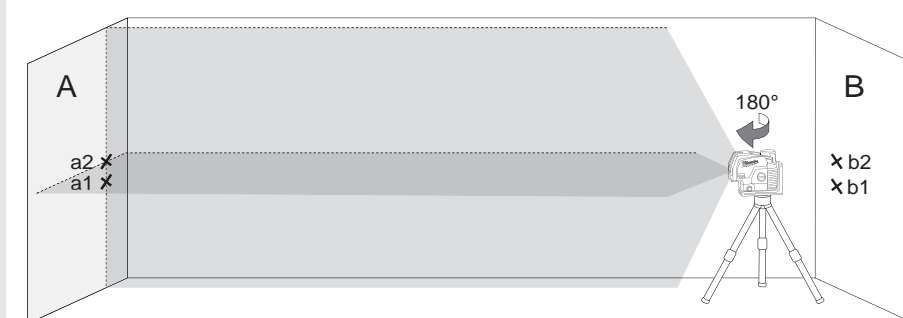
5. Завъртете лазера на 180° в посока стена В и маркирайте пресечната точка на двете линии като b1 върху стена В.



6. Поставете лазера на разстояние прилб. 0,5 m от стена В.
7. Маркирайте пресечната точка на двете линии като b2 върху стена В.



8. Завъртете лазера на 180° в посока стена А и маркирайте пресечната точка на двете линии като a2 върху стена А.



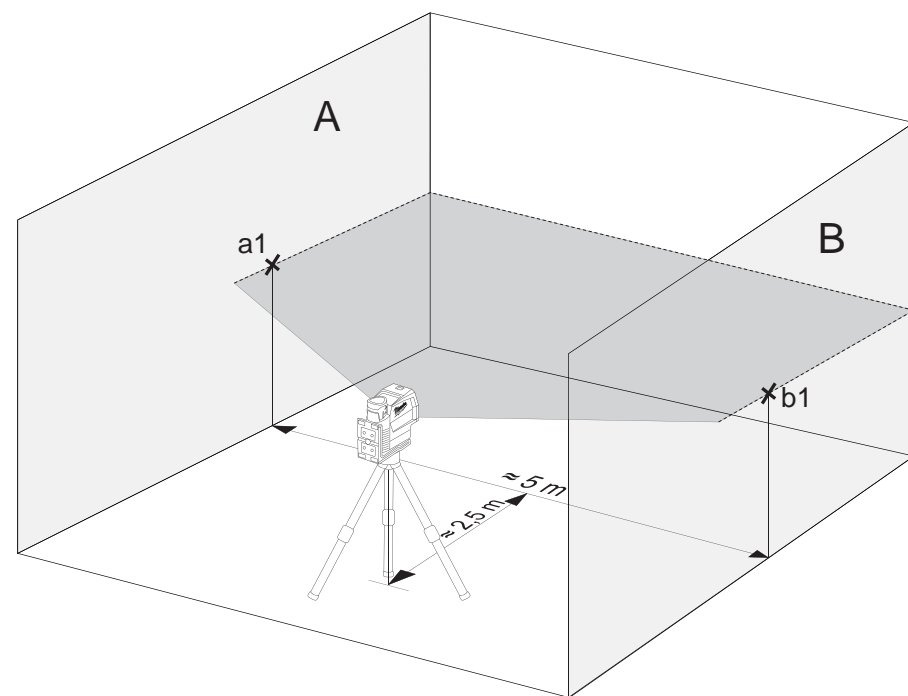
9. Измерете разстоянията:
 $\Delta a = |a2 - a1|$
 $\Delta b = |b1 - b2|$

10. Разликата $|\Delta a - \Delta b|$ не трябва да бъде повече от 2 mm.

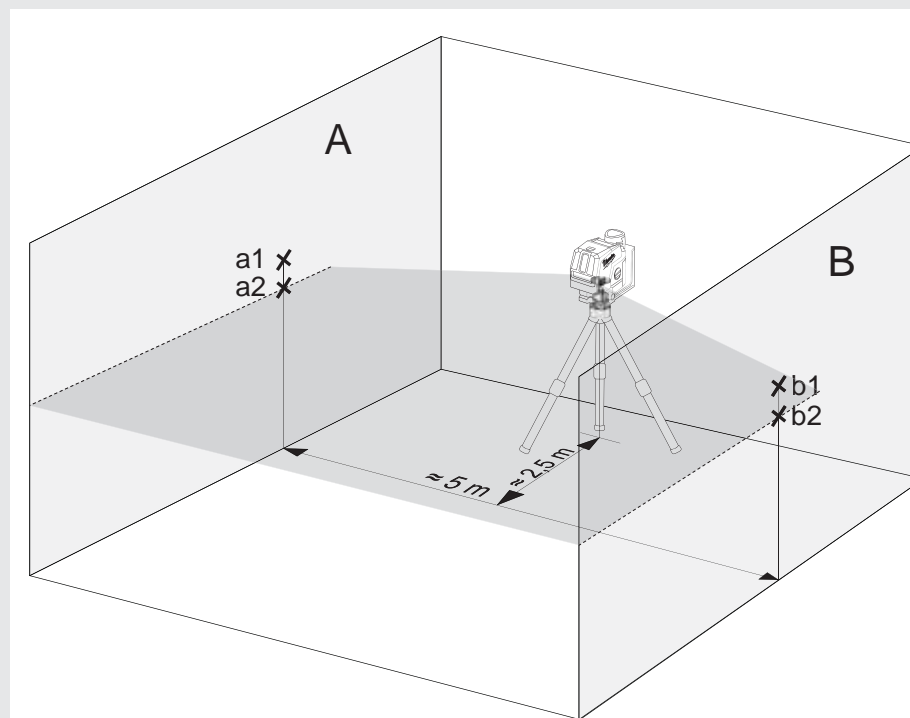
2 ПРОВЕРКА НА ТОЧНОСТТА НА НИВЕЛИРАНЕ НА ХОРИЗОНТАЛНАТА ЛИНИЯ (ОТКЛОНЕНИЕ ОТ ЕДНАТА СТРАНА ДО ДРУГАТА)

За тази проверка е необходима свободна площ от прил. 5 x 5 м.

1. Поставете лазера върху статив или стабилна основа между две стени А и В с разстояние между тях прил. 5 м.
2. Поставете лазера на разстояние прил. 2,5 м от центъра на помещението.
3. Включете режима на самонивелиране и натиснете бутона, за да прожектирате хоризонталната линия върху стени А и В.
4. Маркирайте средата на лазерната линия върху стена А с а1, а върху стена В с b1.



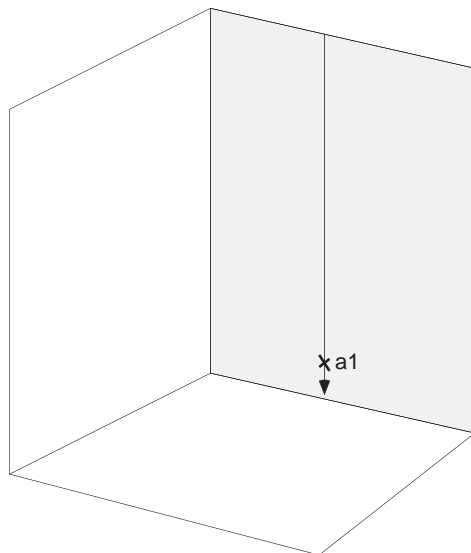
5. Преместете лазера на прил. 5 м, завъртете го на 180° и отново прожектирайте линията върху стените А и В.
6. Маркирайте средата на лазерната линия върху стена А с а2, а върху стена В с b2.



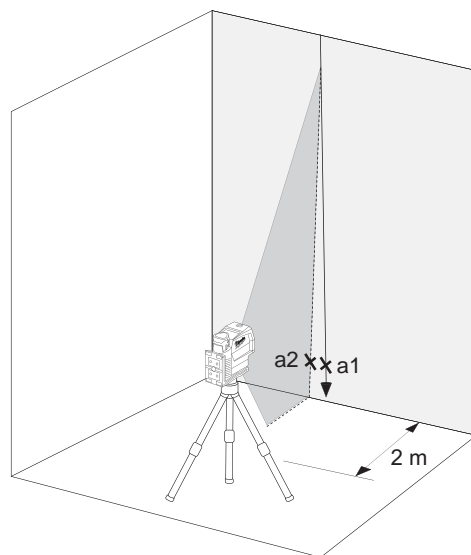
7. Измерете разстоянията:
 $\Delta a = |a2 - a1|$
 $\Delta b = |b1 - b2|$
8. Разликата $|\Delta a - \Delta b|$ не трябва да бъде повече от 2 mm.

3 ПРОВЕРКА НА ТОЧНОСТТА НА НИВЕЛИРАНЕ НА ВЕРТИКАЛНАТА ЛИНИЯ

1. Окачете на една от стените отвесен шнур с пригл. дължина 4 m.
2. След като тежестта на отвеса се е успокоила, маркирайте точка a1 над оловния конус върху стената.



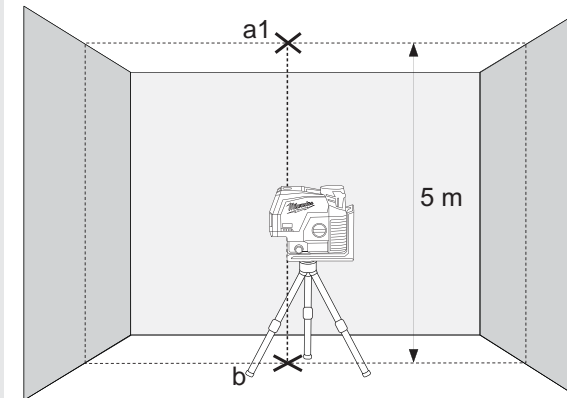
3. Поставете лазера върху статив или равна основа на разстояние пригл. 2 m от стената.
4. Включете режима на самонивелиране и натиснете бутона, за да прожектирате вертикалната линия върху отвесния шнур.
5. Завъртете лазера така, че вертикалната линия да съответства на окачането на отвесния шнур.
6. Маркирайте точка a2 в средата на вертикалната линия на същата височина като a1 върху стената.
7. Разстоянието между a1 и a2 не трябва да е по-голямо от 1 mm.



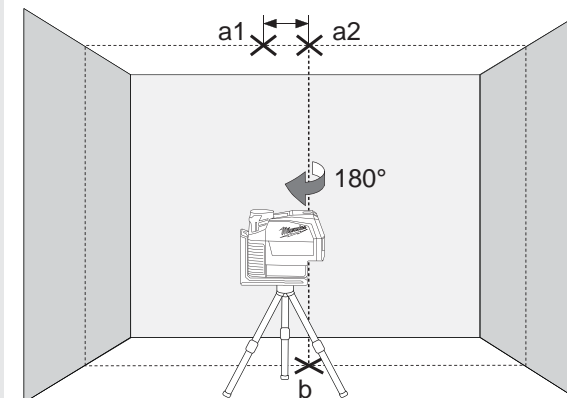
4 ПРОВЕРКА НА ТОЧНОСТТА НА ОТВЕСА

За тази проверка е необходимо помещение с височина на тавана от пригл. 5 m.

1. Настройте кръстосания лазер на статив.
2. Включете режима на самонивелиране и натиснете бутона, за да преминете към пълничката функция.
3. Маркирайте горната точка на тавана като точка a1 (вижте илюстрацията).
4. Маркирайте долната долна точка на пода като точка b.



5. Завъртете лазера на 180°, позиционирайте го така, че центърът на точката на отвеса да съвпада с вече маркираната точка b и изчакайте, докато устройството се нивелира.
6. Маркирайте горната точка на тавана като точка a1 (вижте илюстрацията).
7. Разстоянието между точките a1 и a2 на тавана показва в каква степен лазерната линия се отклонява от идеалната права на отвеса. При измерена отсечка от 5 m максимално допустимото отклонение е:
 $5 \text{ m} \times (\pm 0,6 \text{ mm/m}) \times 2 = \pm 6 \text{ mm}.$
8. Разстоянието между a1 и a2 не трябва да е по-голямо от 6 mm.



CUPRINS

Importante instrucțiuni de securitate.....	289
Întreținere	290
Date tehnice	290
Condiții de utilizare specifice	290
Prezentare generală	291
Echipament	292
Schimbați bateria	292
Indicatorul capacității bateriei	293
Indicator de baterie scăzut	293
Montare pe tavan	293
Montare pe perete și placă țintă verde	294
Lucrul în modul nivelare automată	295
Lucrul în modul manual	296
Funcția fir cu plumb	297
Detector.....	297
Verificarea preciziei	298

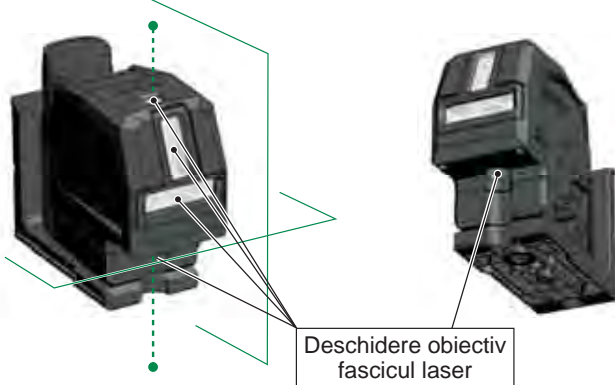
IMPORTANTE INSTRUCȚIUNI DE SECURITATE



PERICOL! AVERTIZARE! ATENȚIE!

Nu utilizați produsul înainte de a fi studiat instrucțiunile de protecție și Manualul de utilizare.

Clasificare laser



AVERTISMENT:

Acest produs corespunde normelor de securitate pentru lasere de Categoria 2 EN60825-1:2014.



Avertisment:

A se evita expunerea directă a ochilor. Fasciculul laser poate cauza vătămarea gravă a ochilor și/sau orbire.

A nu se privi în fasciculul laser și a nu se dirija inutil fasciculul către alte persoane.

Atenție! Produsul care emite fascicul laser se poate afla în spatele dvs. în unele aplicații. Procedați cu atenție când vă întoarceți cu fața spre produs.

Avertisment:

Nu operați laserul în jurul copiilor și nici nu le permiteți să îl utilizeze.

Atenție! Este posibil ca suprafețe reflectante să redirecționeze fasciculul laser înapoi la operator sau către alte persoane.

Avertizare: Utilizarea de elemente de comandă, reglaje sau efectuarea de alte procedee decât cele stabilite, pot duce la o expunere la radiații periculoasă.

Când aparatul cu laser este transferat între medii cu diferențe mari de temperatură, lăsați aparatul să ajungă la temperatura ambiantă înainte de utilizare.

Depozitați întotdeauna aparatul cu laser în interior, evitați șocurile mecanice, vibrațiile continue și temperaturile extreme.

Aparatul de măsurat cu laser se va proteja împotriva prafului, umezelii și umidității ridicate din aer. Acestea pot deteriora componentele din interior sau influența precizia.

Dacă radiația laser ajunge în ochi, trebuie să închideți imediat ochii și să întoarceți capul de la fascicul.

A nu se poziționa fasciculul laser astfel încât acesta să vă orbească sau să orbească alte persoane.

A nu se privi în fasciculul laser cu dispozitive optice de mărire precum binocurile sau telescoapele, deoarece această acțiune va crește gravitatea vătămării ochilor.

Dacă se utilizează ochelari speciali pentru amplificarea vizibilității fasciculului laser, de reținut că aceștia nu vor proteja ochii contra radiației laser.

A nu se detașa sau deteriora etichetele de avertizare de pe nivelul cu laser.

A nu se dezasambla nivelul cu laser, radiația laser poate cauza vătămarea gravă a ochilor.

Asigurați-vă că mecanismul de blocare cu pendul este cuplat înainte de transportarea aparatului cu laser.

Notă: Dacă mecanismul de blocare cu pendul nu este cuplat înainte de transportare, se pot produce deteriorări mecanice interne.


Nu folosiți agenți de curățire agresivi și nici solvenți. Se curăță doar cu o cârpă curată și moale.

Evitați impacturile dure sau căderea aparatului cu laser. Precizia aparatului cu laser trebuie verificată înainte de utilizare dacă acesta a căzut sau a fost supus altor solicitări mecanice.


Efectuarea de reparații la acest aparat cu laser este permisă numai persoanelor de specialitate autorizate.

Nu folosiți produsul în zone cu risc de explozie sau în medii agresive.

Dacă aparatul cu laser nu este utilizat o perioadă îndelungată, scoateți bateriile din compartimentul pentru baterii. Această acțiune va preveni scurgerile de electrolit și deteriorările provocate prin coroziune.

 Bateriile consumate nu trebuie aruncate împreună cu deșeurile menajere. Aveți grijă de mediul înconjurător și duceți-le la punctele de colectare, în conformitate cu reglementările naționale și locale. Produsul nu trebuie aruncat împreună cu deșeurile menajere.

Aruncați produsul în mod corespunzător, în conformitate cu reglementările naționale în vigoare în țara dvs. Respectați reglementările specifice de la nivel național și local. Adresați-vă autorităților locale sau comerciantului care v-a vândut aparatul pentru informații privind salubritatea.

 Marcă de conformitate europeană

INTREȚINERE

Ștergeți obiectivul și carcasa aparatului cu laser cu o lavetă textilă moale și curată. A nu se utiliza solventi.

Deși aparatul cu laser este rezistent la praf și murdărie într-o anumită măsură, a nu se depozita în locuri expuse prafului, deoarece expunerea pe termen lung poate deteriora componentele mobile interne.

Dacă aparatul cu laser este expus apei, uscați nivela cu laser înainte de a o reintroduce în cutia de transport pentru a preveni deteriorarea prin coroziune.

DATE TEHNICE

Clasă laser	2
Unghi de nivelare automată	± 4°
Timp de nivelare automată	3 s
Tehnologie baterii	Li-Ion
Tensiune CC	12V ===
Clasă de protecție (contra apei și prafului)	IP54*
Înălțime max.	2000 m
Umiditate relativă a aerului, max.	80%
Grad de murdărire conform IEC 61010-1	2**
Durata impulsului t _p	≤ 80 μs
Funcții	fascicul orizontal, fascicule verticale, încrucișare, fir cu plumb (2 puncte)
Frecvență	10 kHz
Proiecții	2 linii verzi, 2 puncte verde
Cantitatea diodei	2
Tipul diodei	30 mW
Șablon fascicul laser	O singură orizontală, unică verticală 2 puncte de plumb în sus și în jos, linia încrucișată 2 puncte de plumb (în sus și în jos).
Timp de funcționare	15 h cu acumulator M12 3.0 Ah
Montură trepid	filet 1/4" / 5/8"
Detector adecvat	Milwaukee LLD50

Fascicul laser	Lățime < 9,53mm @ 30m Lungime de undă 510 - 530 nm laser clasa II Putere maximă ≤ 7 mW Precizie +/- 3 mm / 10 m Unghi de baleiaj fascicule verticale > 120°; fascicul orizontal > 114° Culoare verde Rază de acțiune 38 m (cu detector 50 m)
Fir cu plumb laser	Lungime de undă punct laser 510 - 530 nm laser clasa II Putere max. punct laser < 1 mW Precizie fir cu plumb +/- 3 mm / 10 m Culoare punct laser verde Rază de acțiune 30 m
Temperatură ambientă de lucru recomandată	-10 °C - +40 °C
Temperatură de depozitare	-20 °C - +50 °C
Acumulatori recomandați	M12 B...
Dimensiuni	170 mm x 82 mm x 148 mm
Greutate (incl. baterie)	1205 g

* Acumulatorul litiu-ion și compartimentul acumulatorului sunt excluse de la IP54.

** Intervine doar o murdărire neconductoare, dar ocazional este posibilă totuși o conductivitate temporară cauzată de condens.

CONDIȚII DE UTILIZARE SPECIFICE

Produsul este conceput de preferință pentru utilizarea în spații interioare. La utilizarea în aer liber trebuie să vă asigurați că condițiile ambientale corespund celor din spațiul interior.

Aparatul cu laser este proiectat inovator pentru o gamă foarte largă de activități profesionale, inclusiv:

- Alinierea de plăci, dale de marmură, dulapuri, chenare, simeze și armături
- Marcarea de amplasamente pentru instalarea de uși, ferestre, balustrade, scări, garduri, porți, platforme și pergole.
- Este destinat stabilirii și verificării liniilor orizontale și verticale.
- Nivelarea de tavane suspendate, de instalații de țevi, partiționarea cu ferestre și alinierea de conducte, amplasarea de pereți perimetrali pentru instalații electrice.

A nu se utiliza acest produs în niciun alt mod decât cel declarat normal.

Punct fir de plumb

Fereastra liniei laser verticale

Fereastră pentru fascicul laser orizontal

Buton Mod

Apăsăți scurt: alegeți între liniile laser:

- orizontal
- vertical + funcție plumb
- linii încrucișate + funcție plumb

Apăsăți lung: comutați modul normal / modul de economisire a energiei

Ecran LED capacitate baterie

Reglare micro 20 ° (+/- 10 ° din centru)

Punct fir de plumb

Montura pe trepied 5/8 "

Montura pe trepied 1/4 "

LED cu linie laser

- orizontală
- | verticală
- + linia încrucișată

M12 Acumulator

Marcarea fasciculului laser orizontal

Buton rotativ

- OFF Oprit / blocat
- ON Mod pornit / manual
- ON pe modul de auto-nivelare

Suport magnetic

Montare pe tavan



ECHIPAMENT

Accesorii - Nu sunt incluse în echipamentul standard, disponibile ca accesorii.

Terminal LM360



Detector LLD50

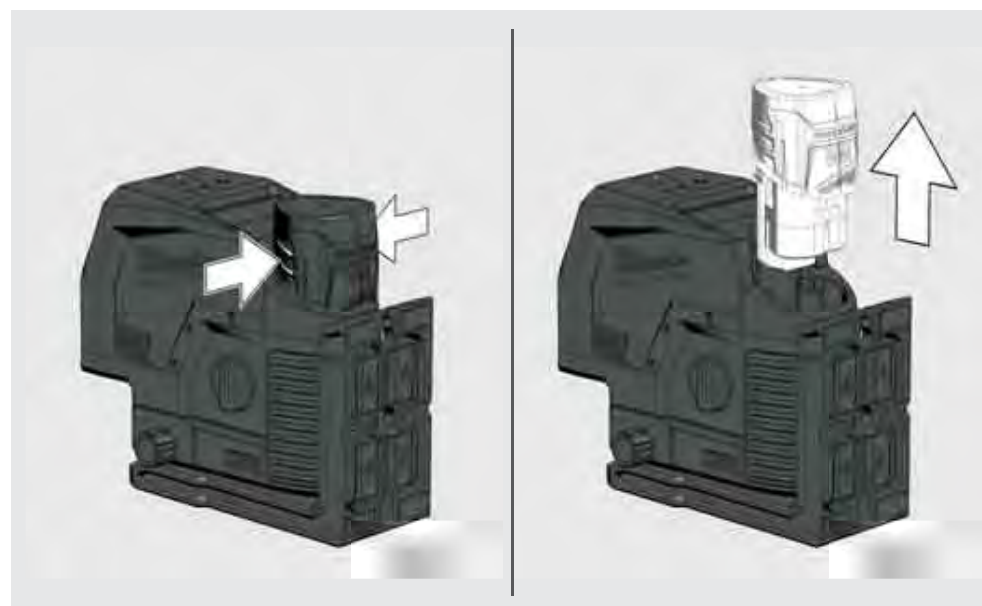
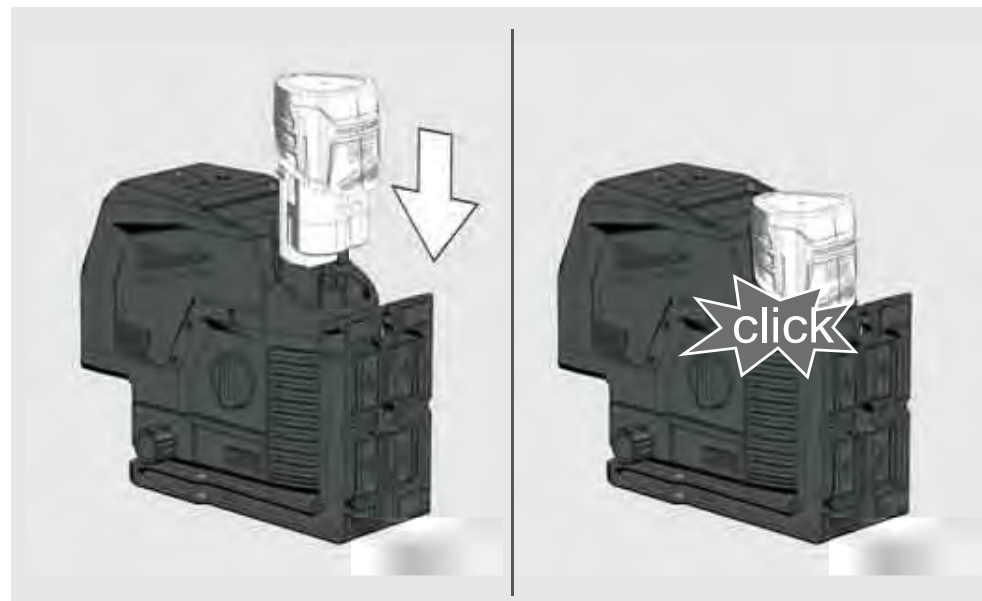


Trepied TRP180



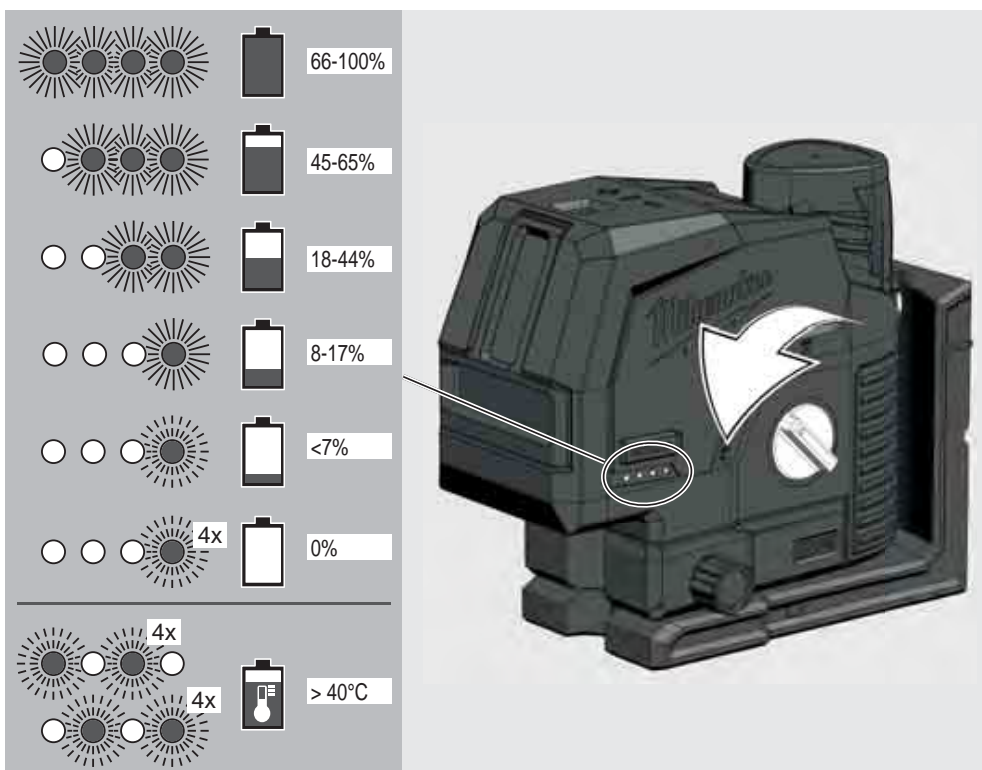
SCHIMBĂȚI BATERIA

Folosiți doar o baterie reîncărcabilă M12 Milwaukee.



INDICATORUL CAPACITĂȚII BATERIEI

După pornirea sau oprirea laserului, indicatorul de combustibil va afișa durata bateriei.



INDICATOR DE BATERIE SCĂZUT

Când tensiunea este scăzută, laserul trece în modul de economisire a energiei.

Laserul clipește în modul de auto-nivelare

4 sec. 1 sec.

Laserul clipește în modul manual

8 sec. 1 sec.

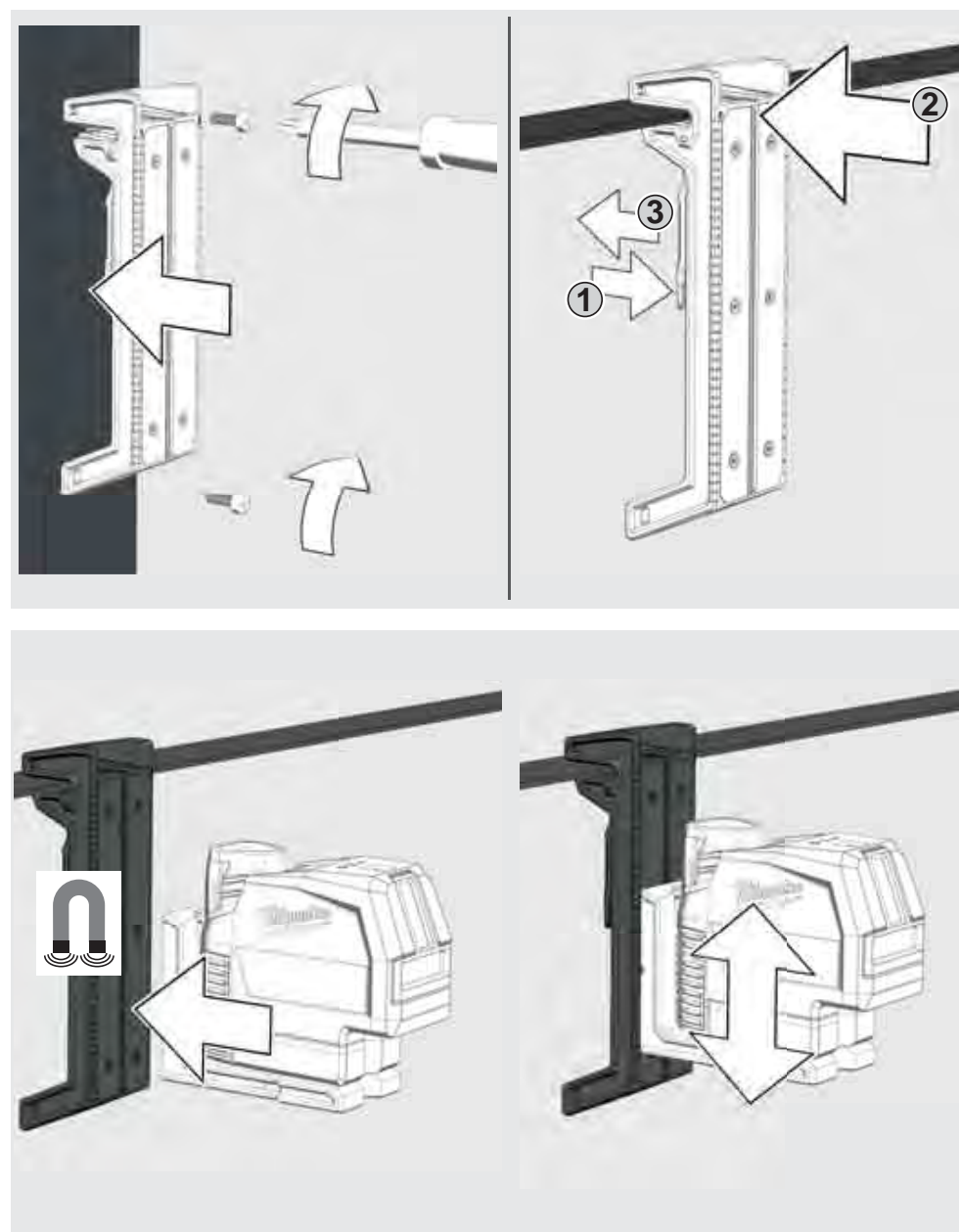
De acum este încă posibilă continuarea lucrărilor.

Când tensiunea este scăzută, laserul și LED-ul vor clipi de 4 ori și se va opri automat.

MONTARE PE TAVAN

Fixează clema de șină cu șuruburi la un stâlp.

Folosiți suportul pentru tavan pentru a fixa laserul pe canalele de plafon, rafturi ...

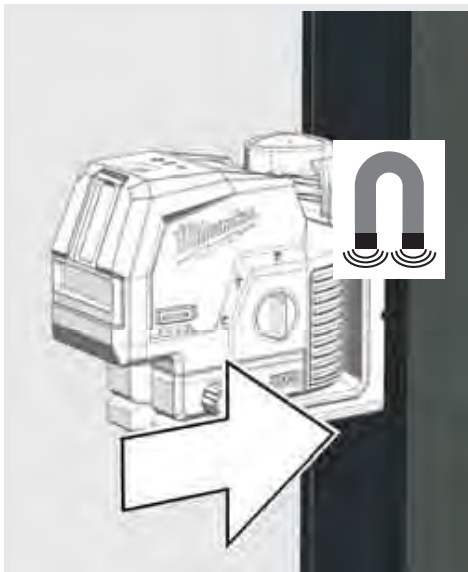


MONTARE PE PERETE ȘI PLACĂ ȚINTĂ VERDE

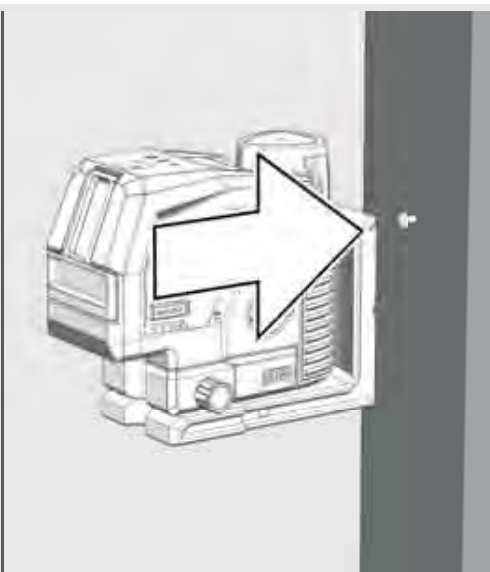
Utilizați montura magnetică pentru perete pentru a fixa aparatul laser pe un perete, pe structuri metalice sau similare.

Sau fixați-vă cu un șurub sau cuie pe un stâlp.

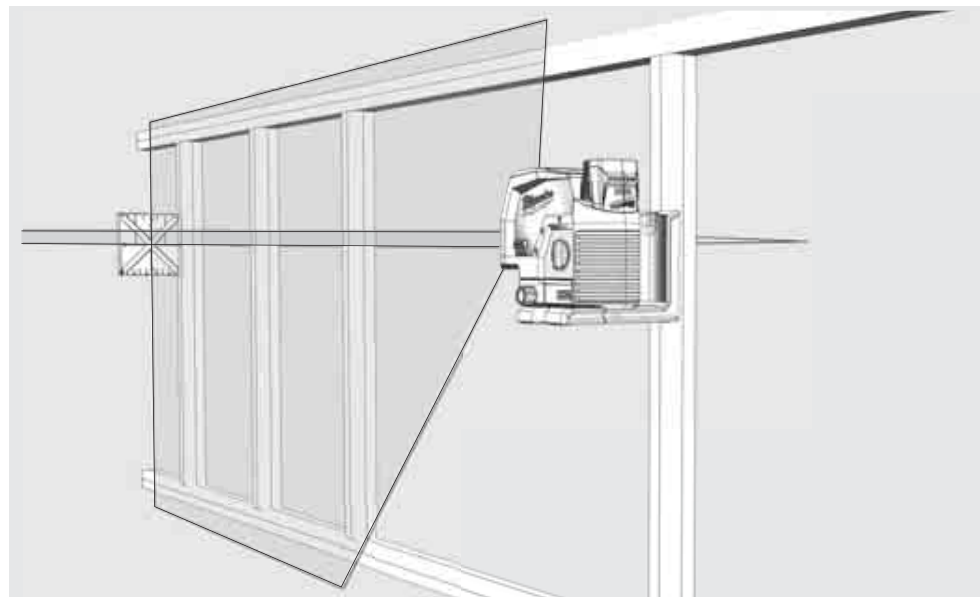
Utilizați placa țintă verde pentru a îmbunătăți vizibilitatea fascicului laser în condiții nefavorabile și la distanțe mai mari.



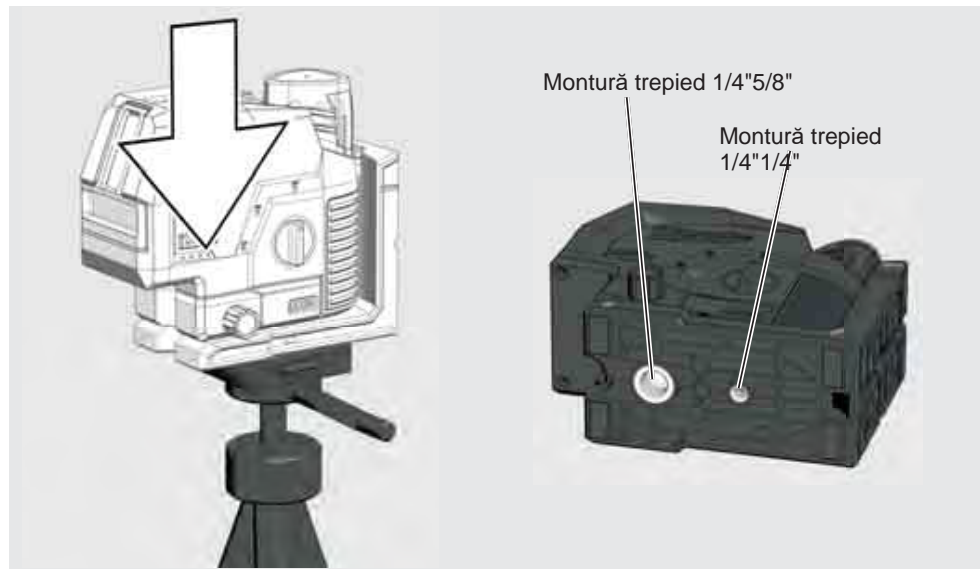
Rotiți laserul la 360 °.



Folosiți butonul de reglare pentru reglarea micro-pivotului de 20 °



Utilizați suportul pentru trepid pentru a fixa laserul pe un trepid.

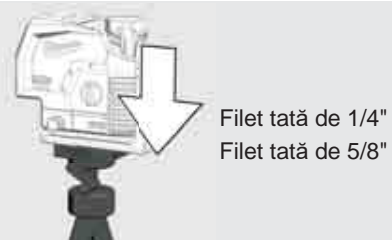


LUCRUL ÎN MODUL NIVELARE AUTOMATĂ


În modul nivelare automată, aparatul laser se va alinia automat într-un unghi de $\pm 4^\circ$ și poate proiecta un fascicul orizontal, un fascicul vertical sau ambele fascicule simultan.

1

Plasați aparatul laser pe o suprafață solidă plată lipsită de vibrații sau pe un trepied.



2

Rotiți comutatorul rotativ la: .

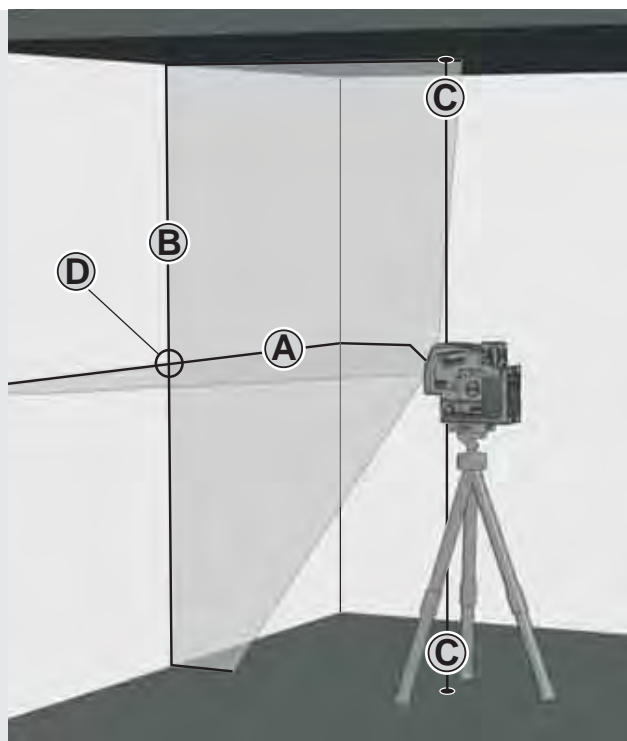


3

Aparatul cu laser va genera 2 fascicule laser.

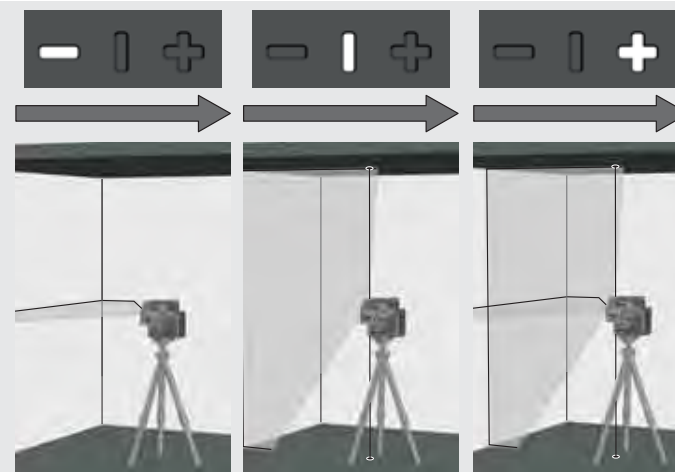
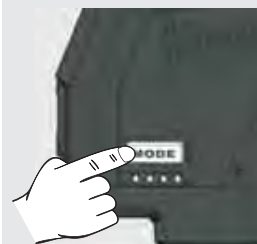
(A) fascicul orizontal înainte
(B) fascicul vertical înainte
(C) Punct laser

(D) Aparatul laser va genera fascicule încrucișate înainte când sunt activate toate fasciculele.



4

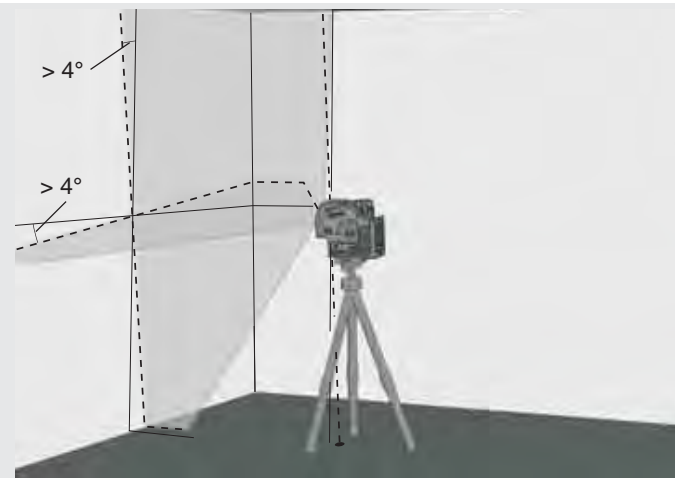
Selecționați fasciculele cu care doriți să lucrați prin apăsarea butonului.




5

Dacă nivelul inițial al laserului depășește $\pm 4^\circ$ și este activat modul nivelare automată, fasciculele laser vor clipi.

În acest caz, re poziționați aparatul cu laser.



6

Înainte de a muta laserul, rotiți comutatorul rotativ pe . Această acțiune va bloca pendulul și va proteja aparatul laser.



LUCRUL ÎN MODUL MANUAL

În modul manual, mecanismul de nivelare automată al aparatului cu laser este dezactivat și liniile laser pot fi setate la orice declivitate dorită.

1

Plasați aparatul laser pe o suprafață solidă plată lipsită de vibrații sau pe un trepied.



2

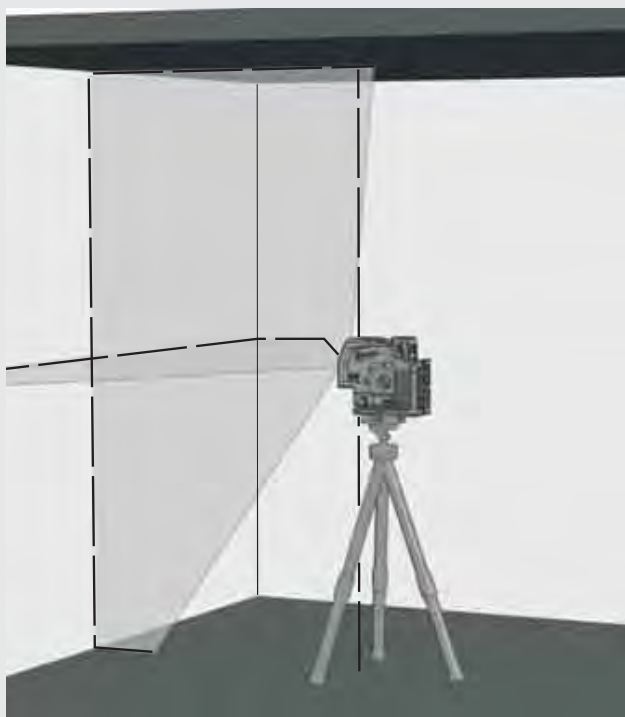
Rotiți comutatorul rotativ la: **ON**.



3

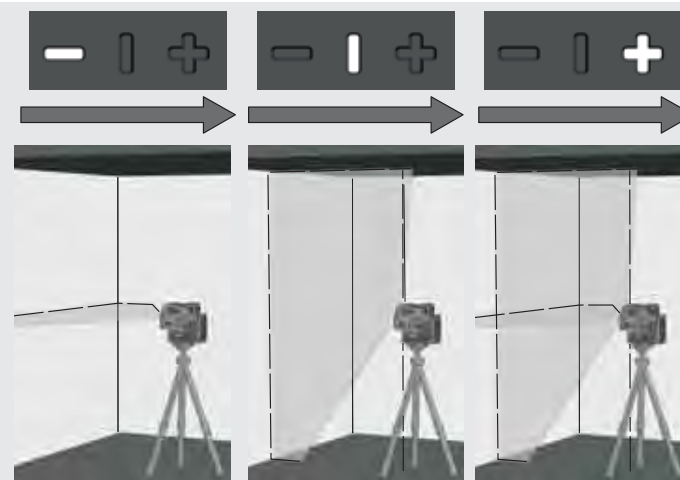
Ca și în modul nivelare automată, aparatul laser va genera 2 fascicule laser, dar acestea sunt întrerupte la fiecare 8 secunde.

8 s 8 s 8 s



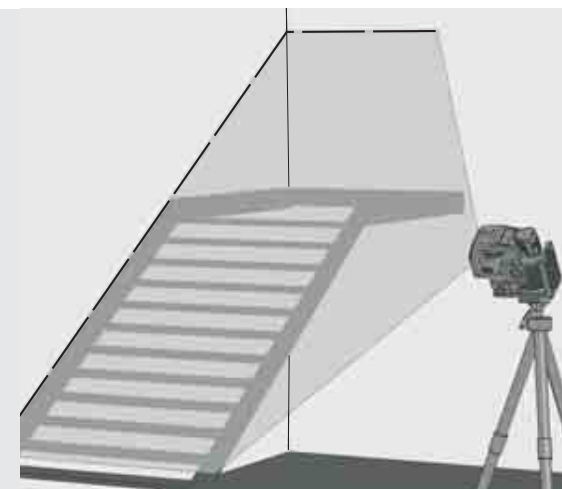
4

Selectați fasciculele cu care doriți să lucrați prin apăsarea butonului.



5

Înclinați aparatul laser cu trepiedul și reglați unghiul și înălțimea dorită.



6

Pentru a ieși din modul manual,

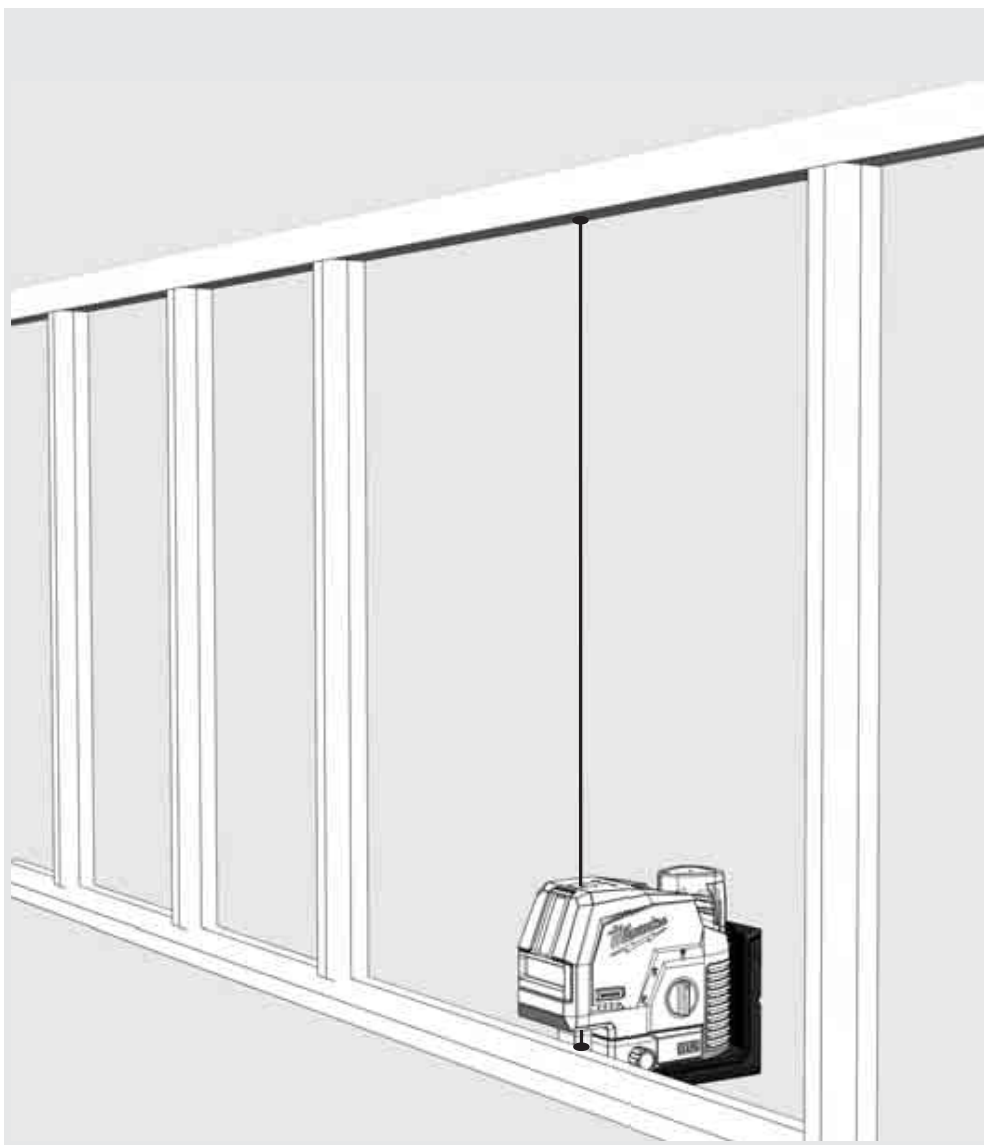
Rotiți comutatorul rotativ la: **ON** sau

rotiți comutatorul rotativ pe: **OFF**.



FUNCȚIA FIR CU PLUMB

Cu funcția fir cu plumb, se poate proiecta un punct pe podea perpendicular cu plafonul. Utilizați funcția fir cu plumb, de exemplu, pentru a transfera punctul de referință pentru instalarea de corpuri de iluminat, deschideri de ventilație, și transferarea de înălțimi.

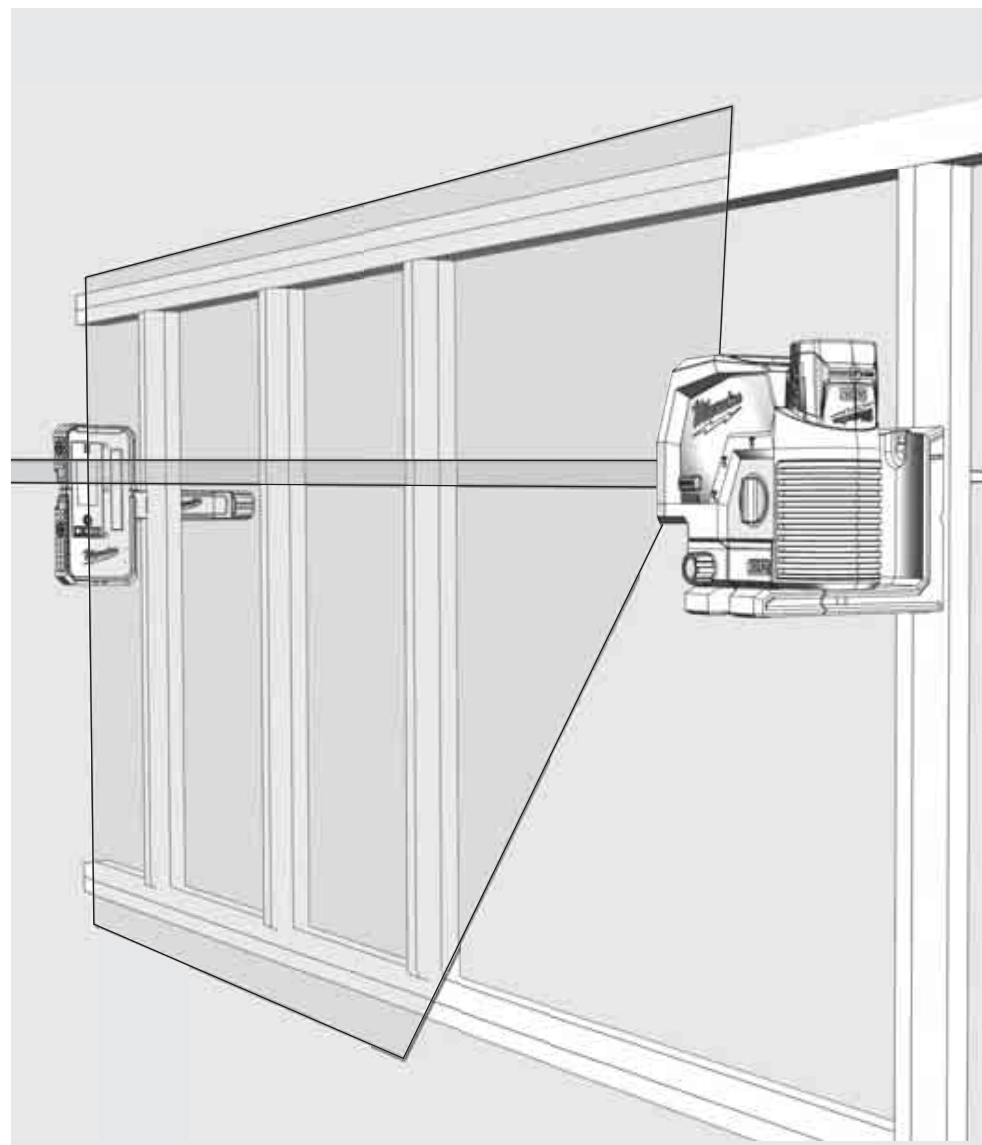


DETECTOR

Pentru lucrări în aer liber, în condiții de lumină directă a soarelui sau în condiții luminoase și pentru intervale extinse de până la 50 de metri, utilizați detectorul Milwaukee.

Detectorul nu este inclus și trebuie achiziționat separat.

Pentru informații despre cum se utilizează detectorul, consultați instrucțiunile de utilizare aferente detectorului.



VERIFICAREA PRECIZIEI

Acest aparat cu laser a fost calibrat complet în fabrică. Milwaukee recomandă utilizatorului să verifice periodic precizia aparatului cu laser, în special în cazul căderii sau al manevrării incorecte a aparatului. Dacă se depășește abaterea maximă a aparatului cu laser la o verificare a preciziei, contactați una din agențiile de service Milwaukee (a se vedea lista noastră de adrese pentru service/garanție).

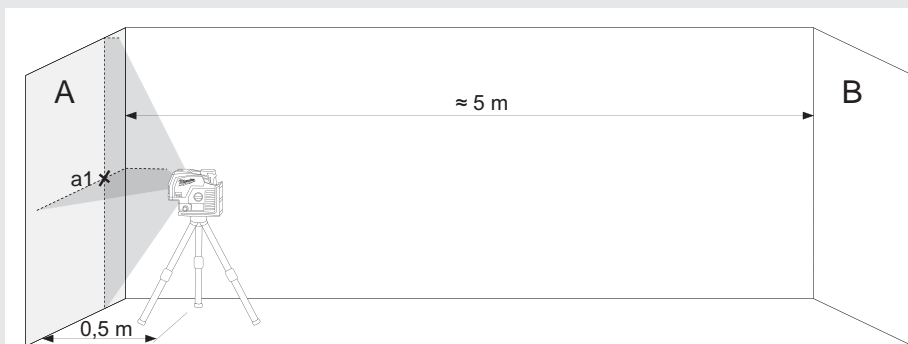
1. Verificarea preciziei înălțimii fascicului orizontal.
2. Verificarea preciziei nivelării fascicului orizontal.
3. Verificarea preciziei nivelării fascicului vertical.
4. Verificarea preciziei firului cu plumb.

Înainte de a verifica precizia aparatului cu laser, după montarea acestuia pe trepid, verificați nivelarea trepidului.

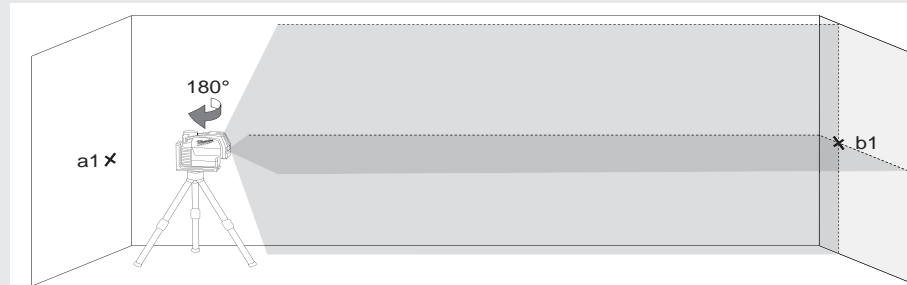


1 VERIFICAREA PRECIZIEI ÎNĂLȚIMII FASCICULULUI ORIZONTAL (ABATEREA ÎN SUȘ ȘI ÎN JOS)

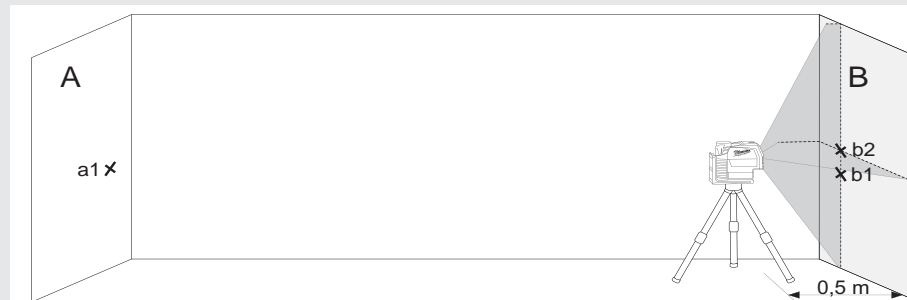
1. Poziționați aparatul cu laser pe un trepid sau pe o suprafață plană între doi pereți A și B, având o distanță de aproximativ 5 metri între ei.
2. Poziționați nivela cu laser la aproximativ 0,5 metri de peretele A.
3. Porniți modul nivelare automată și apăsați pe buton pentru proiectarea fasciculelor orizontal și vertical încrucișate spre peretele A.
4. Marcați punctul de intersecție pe perete drept a1.



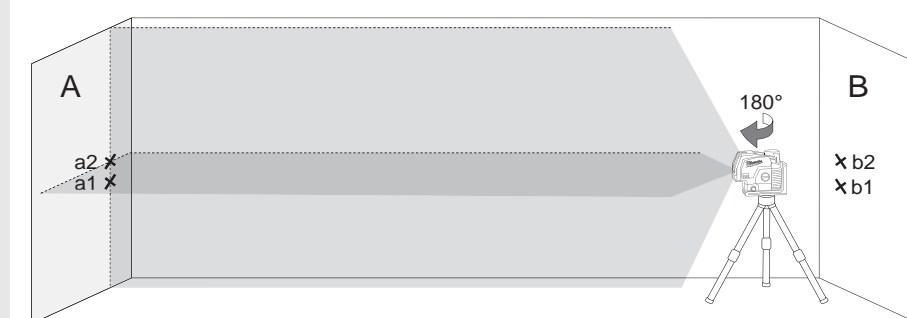
5. Rotiți aparatul cu laser la 180° spre peretele B și marcați punctul de intersecție a fasciculelor pe perete drept b1.



6. Mutați nivela cu laser spre peretele B și poziționați-o la aproximativ 0,5 metri de peretele B.
7. Marcați punctul de intersecție a fasciculelor pe peretele B drept b2.



8. Rotiți aparatul cu laser la 180° spre peretele A și marcați punctul de intersecție a fasciculelor pe perete drept a2.



9. Măsurați distanțele:

$$\Delta a = |a2 - a1|$$

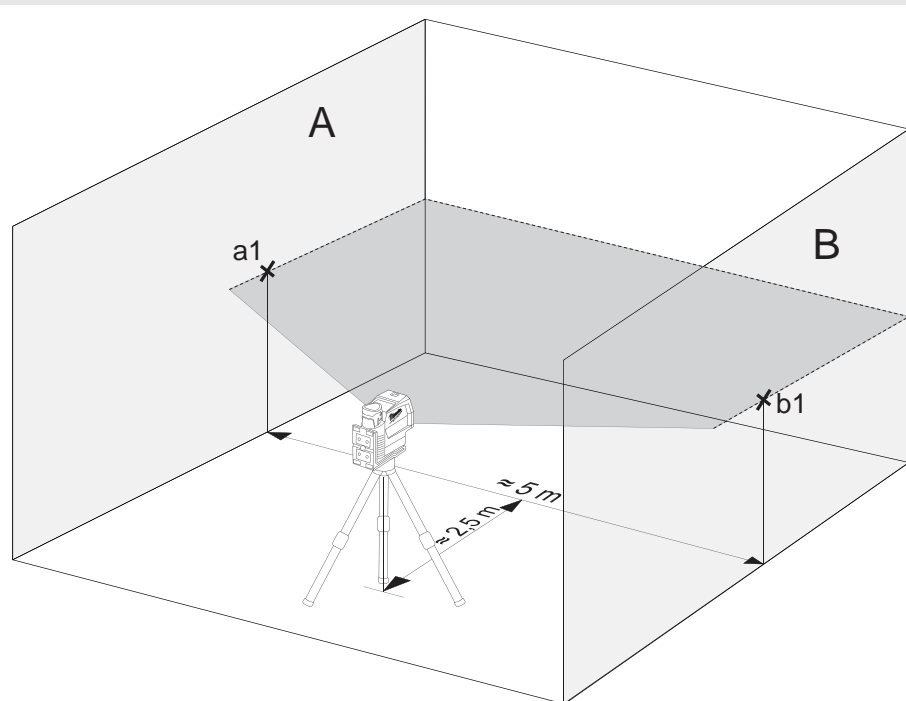
$$\Delta b = |b1 - b2|$$

10. Diferența $|\Delta a - \Delta b|$ nu trebuie să depășească 2 mm.

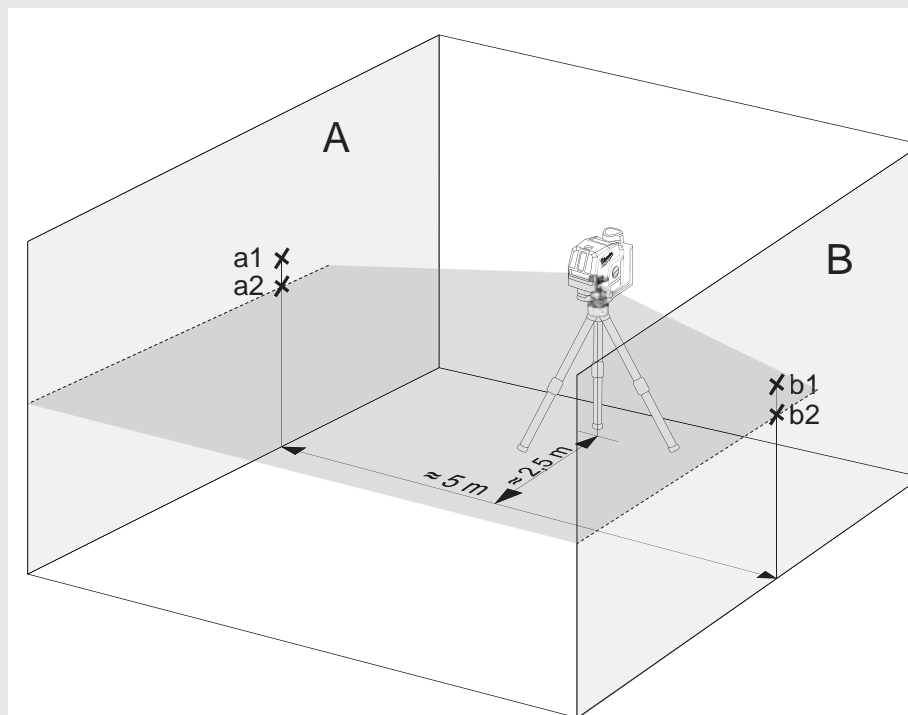
2 VERIFICAREA PRECIZIEI NIVELĂRII FASCICULULUI ORIZZONTAL (ABATEREA ÎN LATERAL)

Pentru această verificare este necesară o suprafață de aproximativ 5 x 5 metri.

1. Poziționați aparatul cu laser pe un trepied sau pe o suprafață fermă între doi pereți A și B, având o distanță de aproximativ 5 metri între ei.
2. Poziționați nivela cu laser la aproximativ 2,5 metri de centrul încăperii.
3. Porniți modul nivelare automată și apăsați pe buton pentru proiectarea fascicului orizontal spre pereții A și B.
4. Marcați punctul de intersecție a fascicului laser cu linia mediană verticală a peretelui A drept a1 și cu linia mediană verticală a peretelui B drept b1.



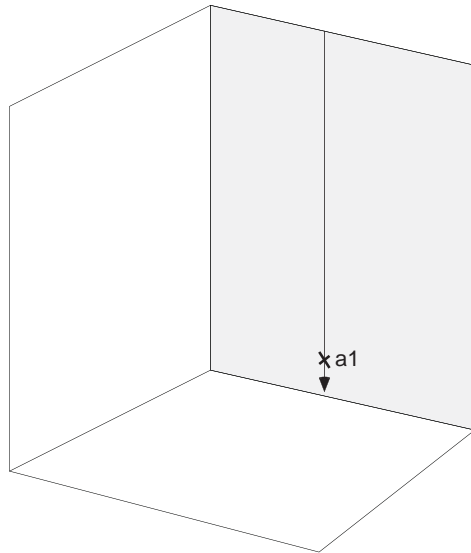
5. Mutați nivela cu laser la aproximativ 5 metri distanță și rotiți aparatul la 180° spre pereții A și B.
6. Marcați punctul de intersecție a fascicului laser cu linia mediană verticală a peretelui A drept a2 și cu linia mediană verticală a peretelui B drept b2.



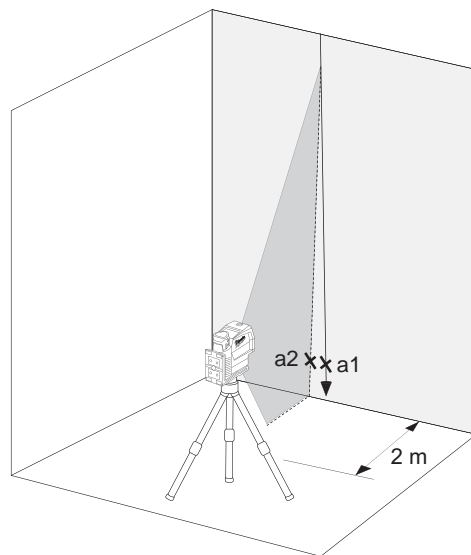
7. Măsurați distanțele:
 $\Delta a = |a2 - a1|$
 $\Delta b = |b1 - b2|$
8. Diferența $|\Delta a - \Delta b|$ nu trebuie să depășească 2 mm.

3 VERIFICAREA PRECIZIEI NIVELĂRII FASCICULULUI VERTICAL

1. Atârnați un fir cu plumb de aproximativ 4 m pe un perete.
2. După stabilizarea firului cu plumb, marcați punctul a1 pe perete în spatele firului cu plumb, în apropierea conului din plumb.



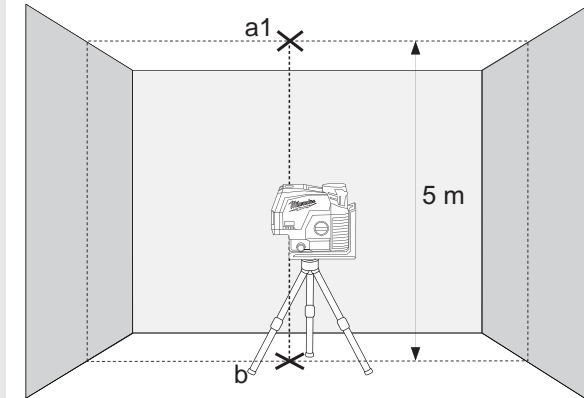
3. Poziționați aparatul cu laser pe un trepied sau pe o suprafață plană în fața peretelui la o distanță de aproximativ 2 m.
4. Porniți modul nivelare automată și apăsați pe buton pentru proiectarea fascicului vertical spre firul de plumb.
5. Rotiți aparatul cu laser astfel încât fasciculul vertical să coincidă cu firul de plumb sub punctul de atârnare.
6. Marcați punctul a2 pe perete în mijlocul fascicului vertical la aceeași înălțime cu punctul a1.
7. Distanța dintre punctele a1 și a2 nu trebuie să depășească 1 mm.



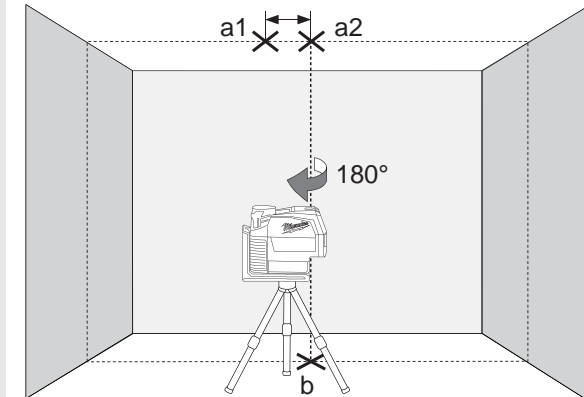
4 VERIFICAREA PRECIZIEI FIRULUI CU PLUMB

Această procedură necesită o cameră cu o distanță de aproximativ 5 m între podea și plafon.

1. Setati laserul încrucișat pe un trepied.
2. Porniți modul de auto-nivelare și apăsați butonul de apăsare pentru a trece la funcția plumb.
3. Marcați punctul superior de plumb de pe tavan ca punctul a1 (a se vedea ilustrația).
4. Marcați punctul inferior de plumb pe podea ca punctul b.



5. Rotiți nivela cu laser la 180°, poziționați-o astfel încât punctul fir cu plumb să coincidă cu punctul b marcat deja și lăsați-o să se alinieze.
6. Marcați punctul superior de plumb de pe tavan ca punctul a2 (a se vedea ilustrația).
7. Distanța dintre punctele a1 și a2 marcate pe plafon reprezintă indicația abaterii actuale a nivelei laser de la linia ideală a firului cu plumb. Dacă distanța de măsurare este 5 m, abaterea maximă permisibilă este:
 $5 \text{ m} \times (+/- 0,6 \text{ mm/m}) \times 2 = +/- 6 \text{ mm}$.
8. Distanța dintre punctele a1 și a2 nu trebuie să depășească 6 mm.



СОДРЖИНА

Важни напомени за безбедност.....	301
Одржување.....	302
Технички податоци.....	302
Наменета употреба.....	302
Преглед.....	303
Опрема.....	304
Променете ја батеријата.....	304
Индикатор за капацитет на батеријата.....	305
Индикатор за ниска батерија.....	305
Монтирање на таванот.....	305
Моунтидна плоча и зелена целна плоча.....	306
Работа во режим на самонивелирање.....	307
Работа во рачен режим.....	308
Функција за исправена положба.....	309
Детектор.....	309
Проверка на прецизноста.....	310

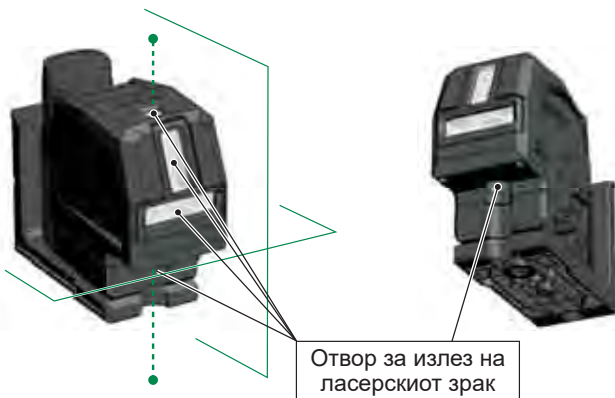
ВАЖНИ НАПОМЕНИ ЗА БЕЗБЕДНОСТ



ВНИМАНИЕ! ПРЕДУПРЕДУВАЊЕ! ОПАСНОСТ!

Почнете да го употребувате производот дури откако ќе ги прочитате напомените за безбедност и упатството за употреба.

Класификација на ласерите



ПРЕДУПРЕДУВАЊЕ:

Производот одговара на ласерската класа 2 според EN60825-1:2014.



Предупредување:

Никогаш не изложувајте ги очите директно на ласерот. Ласерскиот зрак може да предизвика тешки повреди на очите и/или слепило.

Не гледајте директно во ласерскиот зрак и не насочувајте го ласерот непотребно кон останатите лица.

Внимание! Во одредени ситуации, уредот што емитува ласерски зрак може да е поставен позади вас. Во таков случај, вртете се внимателно.

Предупредување:

Немојте да работите со ласерскиот зрак во близина на деца или, пак, да им дозволувате на децата да го чепкаат ласерот.

Внимание! Рефлектирачка површина би можела да го врати ласерскиот зрак назад до корисникот или до други лица.

Предупредување: Употребата на елементите за управување, подесувањата или извршување на други постапки од тие кои што се утврдени во прирачникот може да доведе до опасно зрачно оптоварување.

Ако ласерот се префрли од многу ладна во топла средина (или обратно), тој мора да ја достигне температура на околината пред да се користи.

Не чувајте го ласерот надвор и заштитете го од удари, постојани вибрации и екстремни температури.

Ласерскиот мерен апарат заштитете го од прав, влага и висока влажност на воздухот. Таквите услови можат да ги уништат внатрешните делови на апаратот или пак да извршат влијание врз прецизноста.

Ако ласерскиот зрак е насочен кон очите, затворете ги очите и веднаш свртете ја главата од патеката на зракот.

Погрижете се да го позиционирате ласерскиот зрак така што вие или другите луѓе не сте заслепени од тоа.

Не гледајте во ласерскиот зрак со лупа, двоглед или телескоп. Во спротивно, постои голема опасност од тешки повреди на очите.

Имајте предвид дека ласерските очила коишто служат за подобро препознавање на ласерски линии не ги штитат очите од ласерските зраци.

Не смее да се отстрануваат или да се прават нечитливи предупредувачките налепници од ласерскиот уред.

Не расклопувајте го ласерот. Ласерските зраци може да предизвикаат тешки повреди на очите.

Пред да го транспортирате ласерот, осигурете се дека механизмот за заклучување на нишалото е заклучен.

Совет: Ако не е заклучен механизмот за заклучување на нишалото, за време на транспорт внатрешноста на уредот може да се оштети.


Не употребувајте агресивни средства за чистење или средства за растворање. Чистете исклучиво со чиста, мека крпа.

Заштитете го ласерскиот уред од насилни удари или падови. По пад или силно механичко влијание, треба да се провери прецизноста на уредот пред употреба.


Потребните поправки на овој ласерски апарат смеат да се изведуваат само од страна на авторизиран стручен персонал.

Производот не смее да се примени во околина во која што постои опасност од експлозии или е агресивна сама по себе.

При подолго некористење, извадете ги батериите од одделот за батерии. На тој начин се избегнува протекување на батериите и корозија.

 Празни батерии не смеат да се фрлаат заедно со домашниот отпад. Потрошени батерии заради целта на нивно отстранување, а притоа запазувајќи ја околината во склад со националните и локалните прописи, се предаваат на за таа намена предвидените собирни места. Апаратот не смее да се фрли во домашниот отпад.

Апаратот мора стручно да се отстрани. Притоа обратете внимание на прописите за фрлање кои што се однесуваат на конкретната земја. Обратете се до местните служби или до Вашиот продавач за да добиете информации во врска со фрлањето на овој отпад.

 Европска ознака за сообразност

ОДРЖУВАЊЕ

Објективот и куќиштето на ласерот се бришат со мека и чиста крпа. Не употребувајте растворувачи.

Дури и ако ласерот е отпорен на прав и нечистоти до одреден степен, не треба да се чува на правливо место долго време, во спротивно внатрешните подвижни делови може да се оштетат.

Ако ласерот се намокри, мора да го исушите пред да го ставите во куферот за носење за да не дојде до оштетување од корозија.

ТЕХНИЧКИ ПОДАТОЦИ

Ласерска класа	2
Опсег на самонивелирање	± 4°
Времетраење на самонивелирање	3 сек.
Тип на батерија	Li-Ion
Директна струја	12V ===
Класа на заштита (заштита од прскање на вода и прав)	IP54*
Макс. надморска височина	2000 m
Релативна влажност на воздухот макс.	80%
Степен на загадување во согласност со IEC 61010-1	2**
Времетраење на импулсот t_p	≤ 80 μs
Функции	хоризонтална линија, вертикални линии, пресечни линии, функција за исправена положба (2 поени)
Фреквенција	10 kHz
Проекции	2 зелени линии, 2 поени зелена
Количина на диода	2
Тип на диода	30 mW
Излезна шема на ласерските линии	Единствени хоризонтални, единечни вертикални 2 котлички нагоре и надолу, напречни линии 2 водоводни точки (горе и долу).
Време на работа	15 часа со батерија M12 3.0 Ah
Навој на стативот	1/4" / 5/8"
Одговарачки детектор	Milwaukee LLD50

Ласерска линија	Ширина	< 9,53mm @ 30m
	Бранова должина	510 - 530 nm ласерска класа II
	Максимален капацитет	≤ 7 mW
	Прецизност	+/- 3 mm / 10 m
	Агол на отворање	вертикални линии > 120°; хоризонтална линија > 114°
	Боја	зелена
	Работен опсег	38 m (со детектор 50 m)
Вертикална точка	Бранова должина на ласерска точка	510 - 530 nm ласерска класа II
	Макс. моќност на ласерска точка	< 1 mW
	Прецизност на вертикалната положба	+/- 3 mm / 10 m
	Боја на ласерската точка	зелена
	Работен опсег	30 m
Препорачана работна температура		од -10°C до +40°C
Температура на складирање		од -20°C до +50°C
Препорачани типови на акумулаторски батерии		M12 B...
Димензии		170 mm x 82 mm x 148 mm
Тежина (вкл. батерии)		1205 g

* Литиум-јонската батерија и одделот за батеријата се исклучени од IP54.

** Загадувањето је не спроводливо, но може да се очекува привремена спроводливост предизвикана од кондензација.

НАМЕНЕТА УПОТРЕБА

"Производот е првенствено наменет за внатрешна употреба. Кога се користи на отворено, мора да се осигура дека рамковните услови одговараат на оние во затворен простор."

Овој иновативен ласер е дизајниран за широко професионално подрачје на примена, како на пример:

- Порамнување на плочки, мермерни плочи, креденци, бордури, калапи и декорации
- Означување на основни линии за монтажа на врати, прозорци, шини, скапила, огради, порти, веранди и настрешници.
- Утврдување и проверка на хоризонтални и вертикални линии.
- Нивелирање на спуштени плафони и цевководи, поделба на прозорци и порамнување на цевки, нивелирање на околни ѕидови за електрични инсталации

Овој производ смее да се користи само како што е наведено.

Вертикална точка

Прозорец со вертикална ласерска линија

Прозорец за хоризонтална ласерска линија

Копче за режим

Кратко притискање: Изберете помеѓу ласерските линии:

- хоризонтална
- вертикална + палбумска функција
- вкрстените линии + функцијата на палката

Долго притискање: префрлете нормален режим / режим за заштеда на енергија

LED дисплеј капацитет на батеријата




20 ° микро прилагодување (+/- 10 ° од центарот)

Вертикална точка

Трипод монтажа 5/8 "

Трипод монтажа 1/4 "




LED дисплеј ласерска линија

-  хоризонтална
-  вертикална
-  крстот

M12 Пакет за батерии

Означување за хоризонталниот ласерски зрак

Ротирачко копче

-  OFF Исклучено / заклучено
-  ON режим на вклучување / рачно
-  ON режим на вклучување / самостојно израмнување

Магнетски држач

Монтирање на таванот



ОПРЕМА

Додатоци - Не вклучени во стандардната опрема, достапна како додатоци.

Терминал LM360



Детектор LLD50

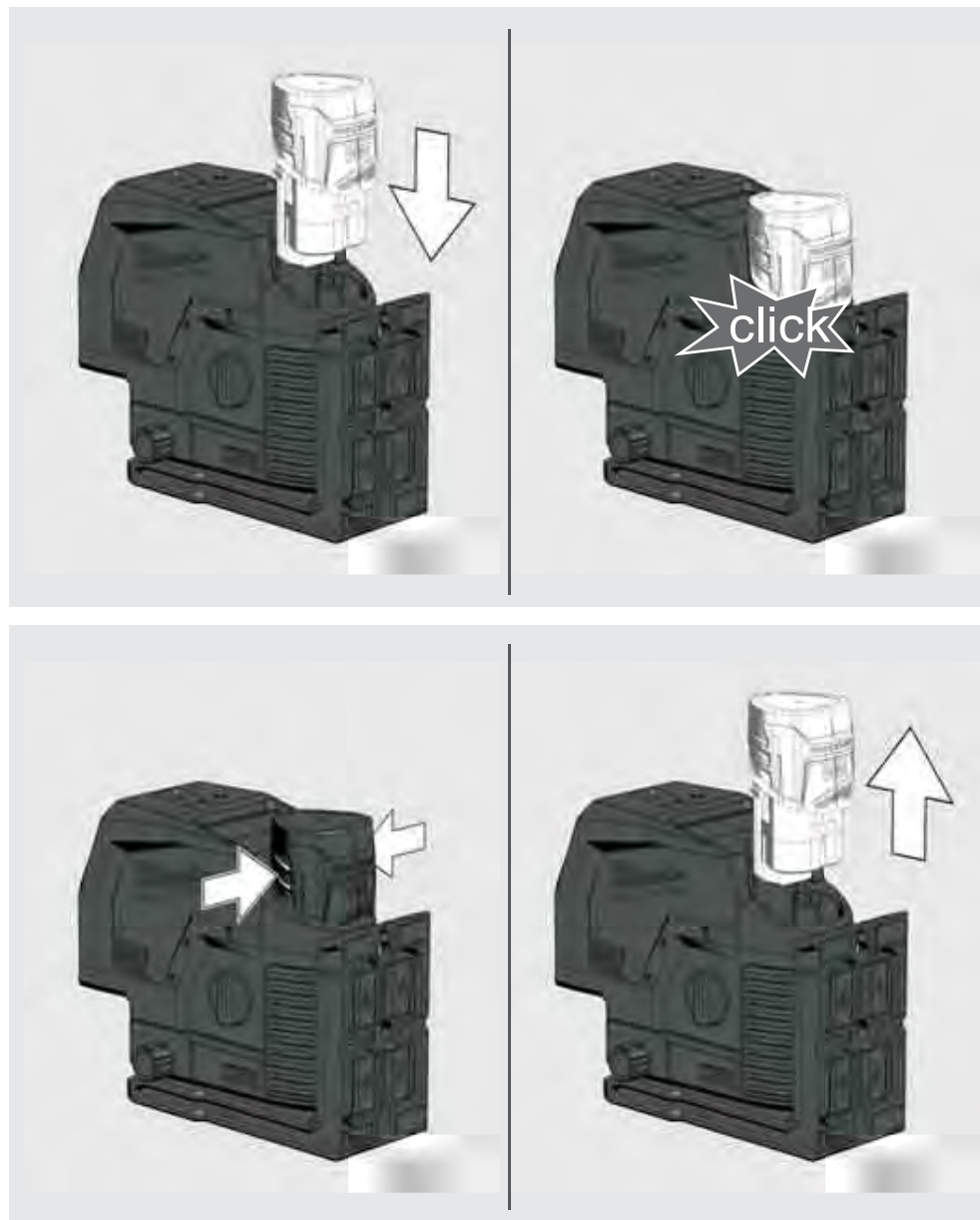


Статив TRP180



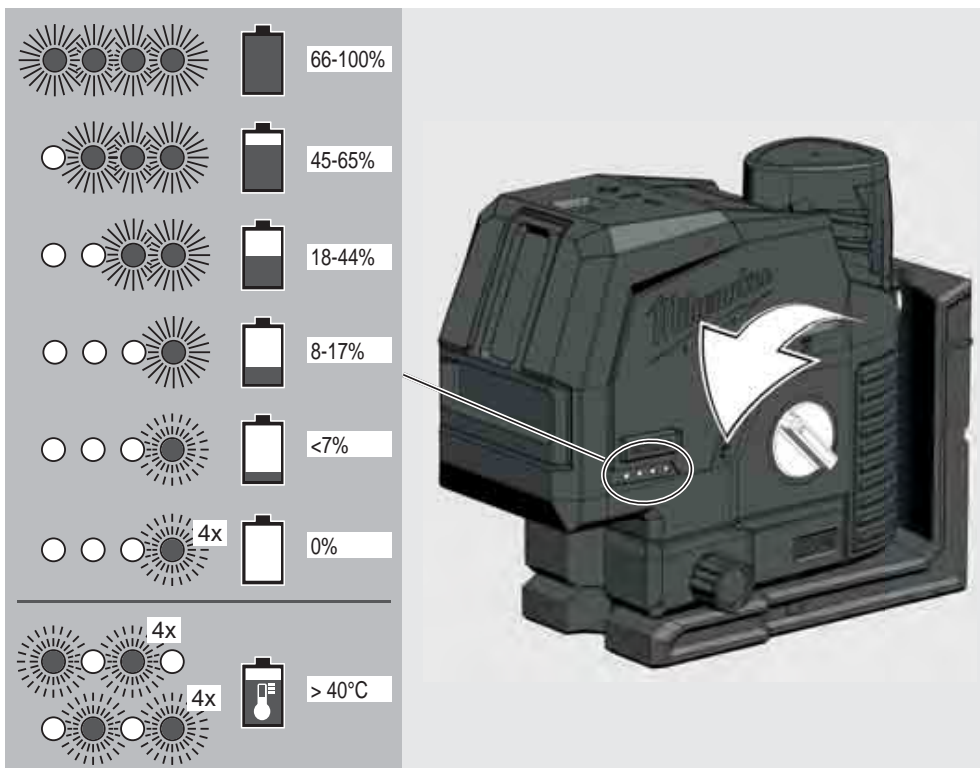
ПРОМЕНЕТЕ ЈА БАТЕРИЈАТА

Користете само батерија М12 што може да се полни на Милвоки.



ИНДИКАТОР ЗА КАПАЦИТЕТ НА БАТЕРИЈАТА

Откако ќе го вклучите или исклучите ласерот, мерачот на гориво ќе го прикаже траењето на батеријата.



ИНДИКАТОР ЗА НИСКА БАТЕРИЈА

Кога напонот е низок, ласерот се префрла во режимот на заштеда на енергија. Ласерот трепка во режим на самостојно израмнување

4 сек. 1 сек.

Ласерот трепка во рачен режим

8 сек. 1 сек.

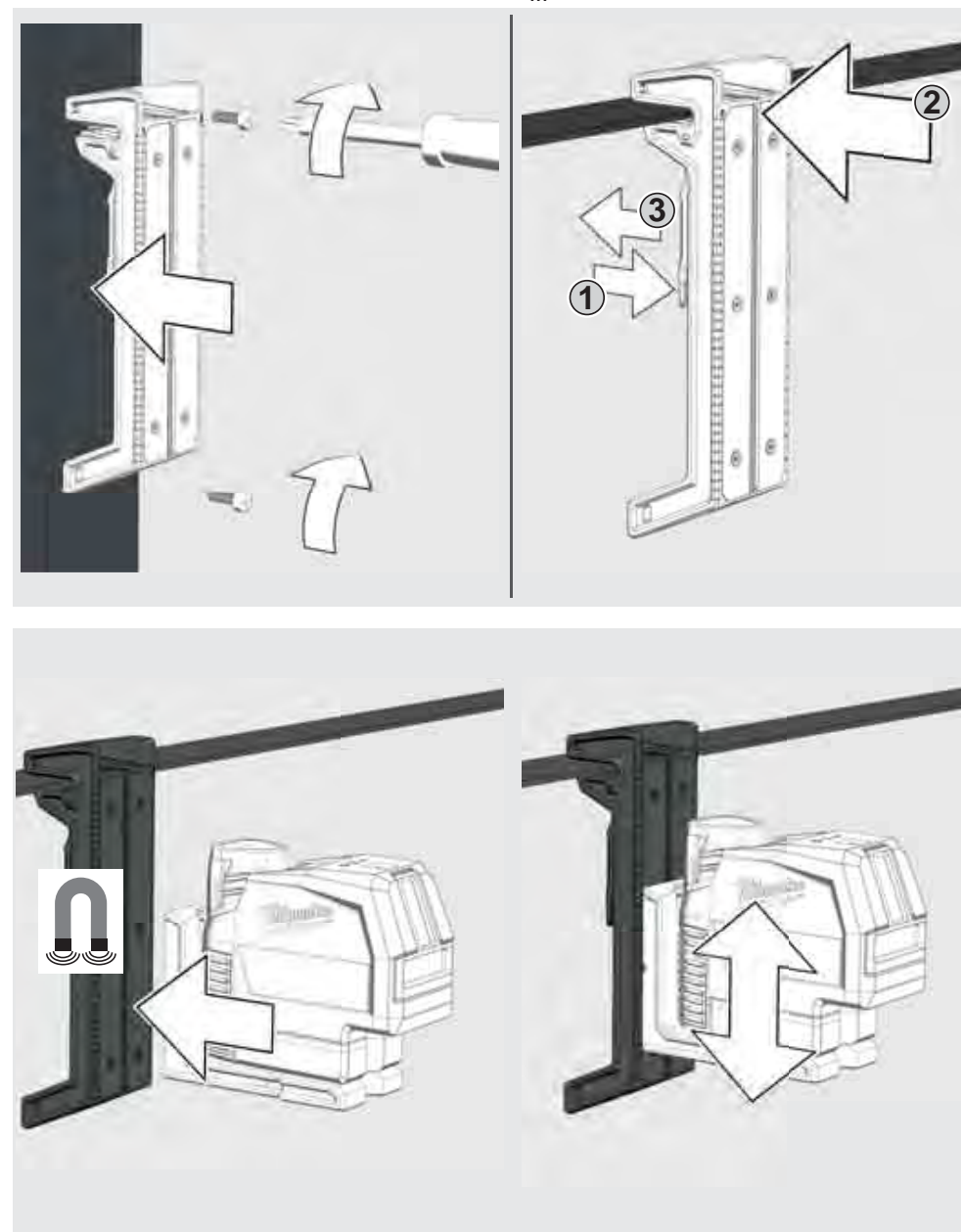
Отсега се уште е можно да се продолжи со работата.

Кога напонот е на ниско ниво, ласерот и ЛЕР ќе трепкаат 4 пати и тој автоматски се исклучува.

МОНТИРАЊЕ НА ТАВАНОТ

Поправете го клипот за песни со завртки на столб.

Користете го таванот за прицврстување на ласерот до таванските канали, лавици ...

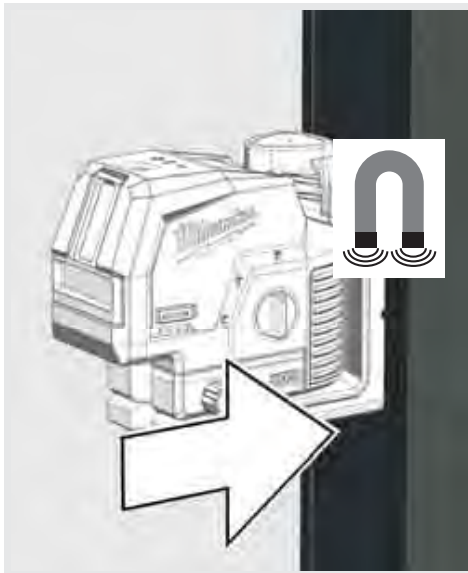


МОНТИДНА ПЛОЧА И ЗЕЛЕНА ЦЕЛНА ПЛОЧА

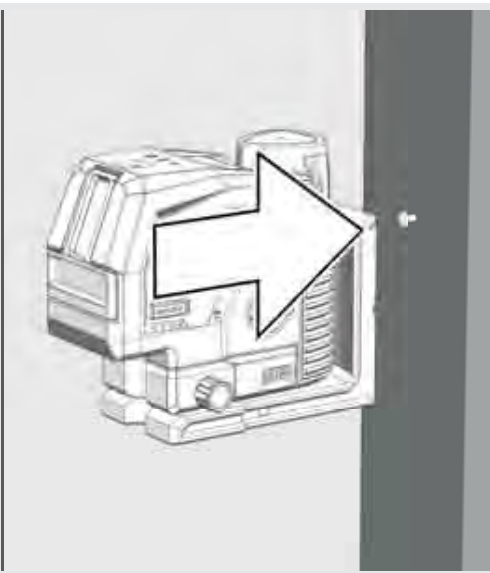
Со магнетниот држач за сид ласерот може да се прицврстува на сидови, метални структури итн.

Или фиксирајте го завртка или шајка на столб.

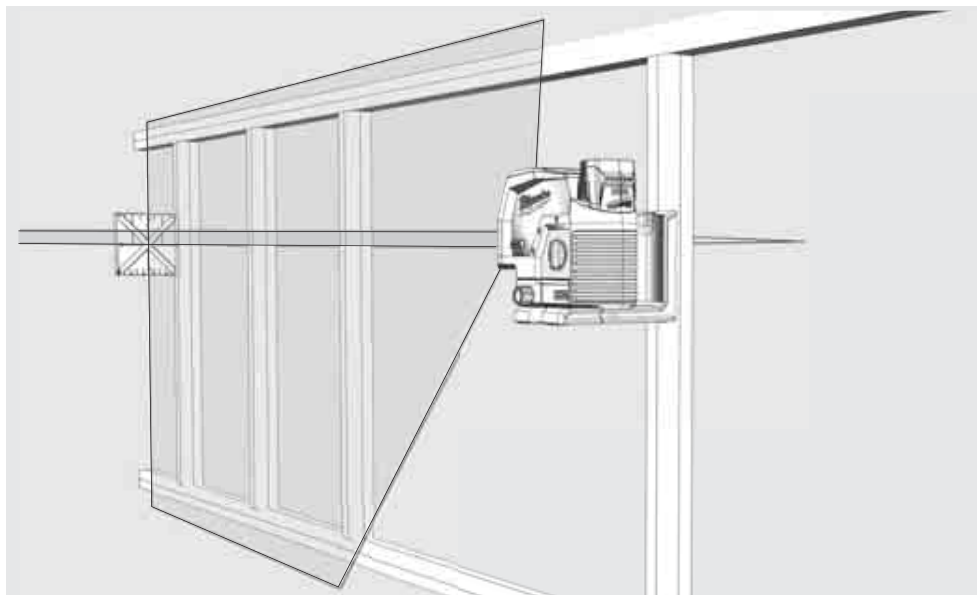
Користете ја зелената табличка за подобрување на видливоста на ласерскиот зрак во неповолни услови и на поголеми растојанија.



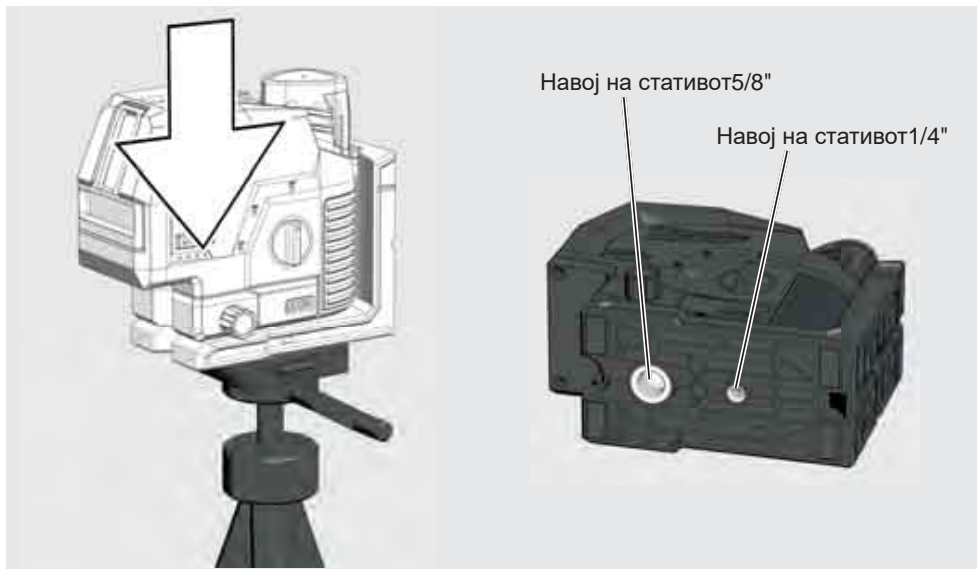
Свртете го ласерот 360 °.



Користете го копчето за прилагодување за микро прилагодување на пиво од 20 °



Користете го држачот за статив за да го поправите ласерот на статив.



РАБОТА ВО РЕЖИМ НА САМОНИВЕЛИРАЊЕ


Во режимот за самонивелирање, ласерот самиот се порамнува во опсег од $\pm 4^\circ$. За таа цел, се проектира една хоризонтална линија, една вертикална линија или двете истовремено.

1

Поставете го ласерот на цврста и рамна подлога без вибрации, или пак монтирајте го на статив.



2

Свртете го ротирачкиот прекинувач на: 

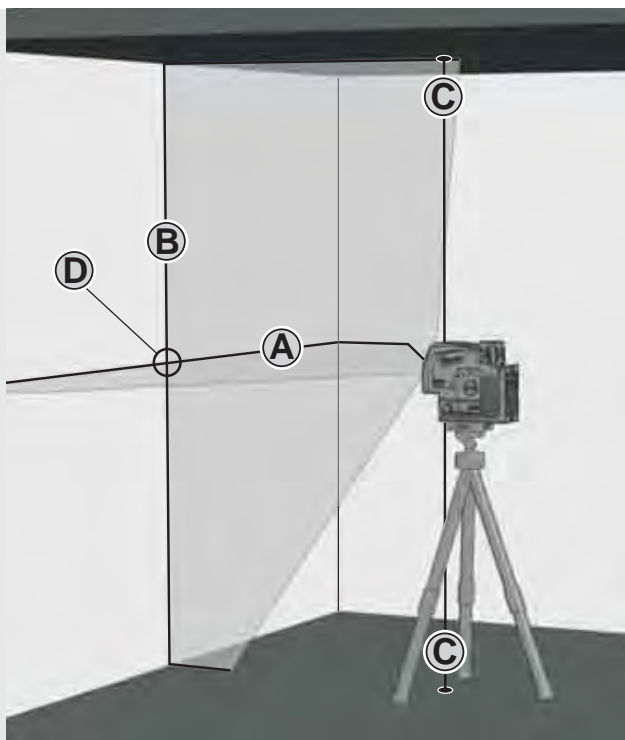


3

Ласерот генерира 2 ласерски линии.

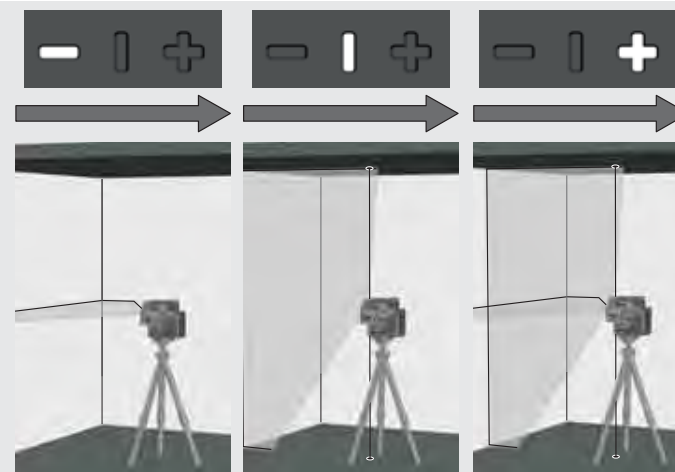
(A) Хоризонтална линија напред
(B) Вертикална линија напред
(C) Ласерска точка

(D) Кога се активирани сите линии, се генерираат ласерски пресечни линии напред.



4

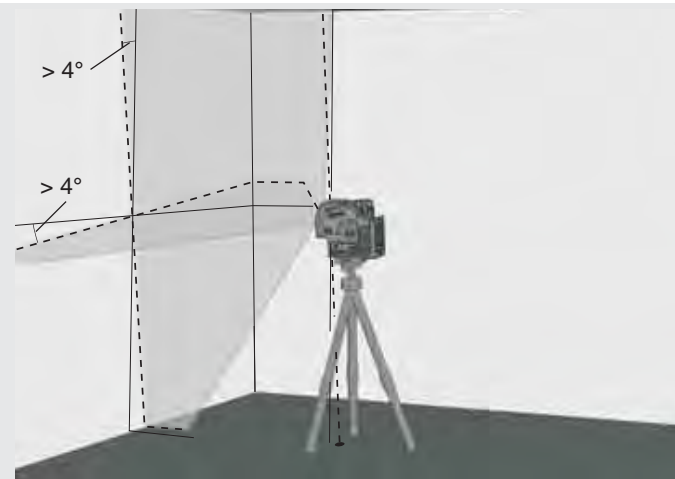
Изберете ја посакуваната линија со копчето.




5

Ако ласерот првично не е порамнет на $\pm 4^\circ$ додека е активирано самонивелирањето, трепкаат ласерските линии. - - - - .

Во таков случај, повторно позиционирајте го ласерот.



6

Пред да го преместите ласерот, свртете го ротирачкиот прекинувач на  OFF. Ова го заклучува нишалото на место и ласерот е заштитен.



РАБОТА ВО РАЧЕН РЕЖИМ

Самонивелирачката функција се деактивира во рачниот режим и лазерот може да се приспособи на какво било накосување на лазерските линии.

1

Поставете го лазерот на цврста и рамна подлога без вибрации, или пак монтирајте го на статив.



2

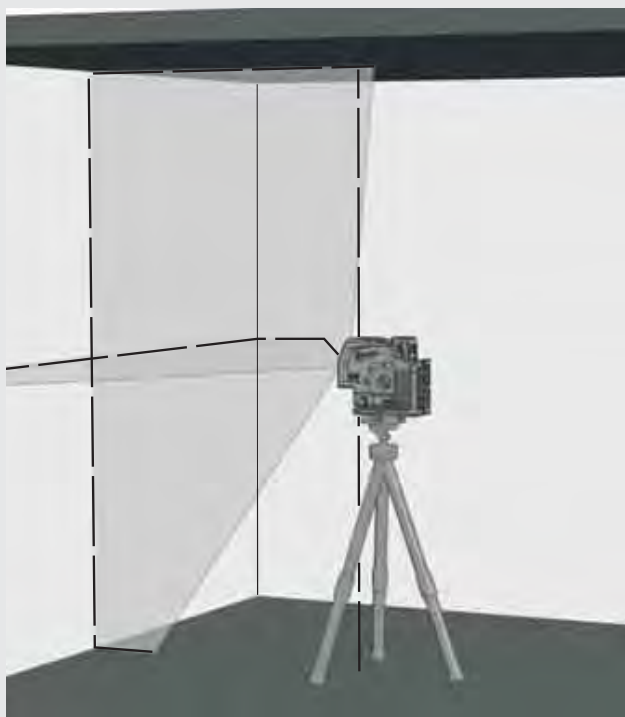
Свртете го ротирачкиот прекинувач на: **ON**.



3

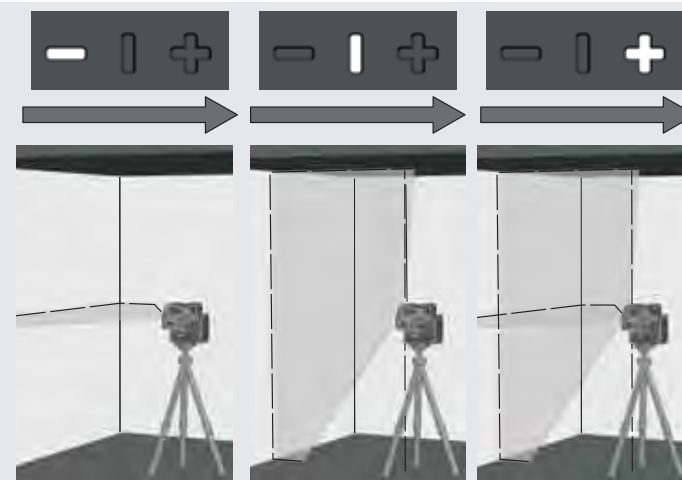
Како во самонивелирачкиот режим, лазерот генерира 2 лазерски линии, кои трепкаат на секои 8 секунди.

8 сек. 8 сек. 8 сек.



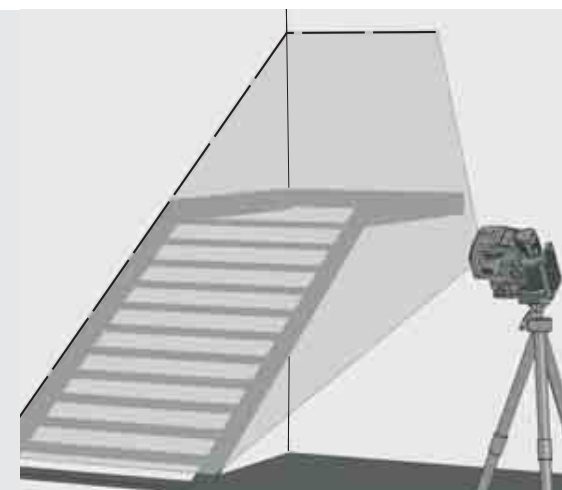
4

Изберете ја посакуваната линија со копчето.



5

Употребете го стативот за приспособување на лазерот на посакуваната висина и посакуваното накосување.



6

За да излезете од рачниот режим,

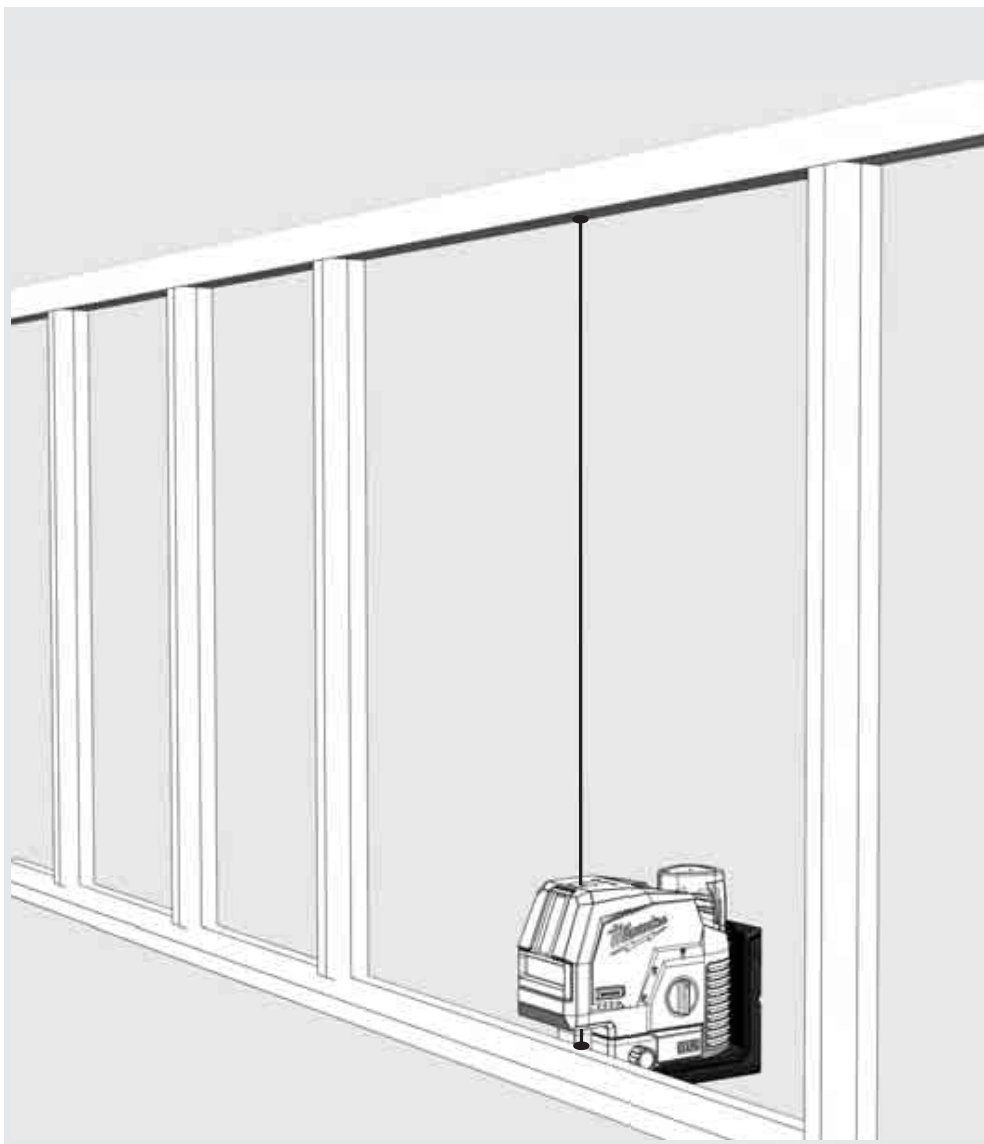
Свртете го ротирачкиот прекинувач на: **ON** или
свртете го ротирачкиот прекинувач на: **OFF**.



ФУНКЦИЈА ЗА ИСПРАВЕНА ПОЛОЖБА

Со функцијата за исправена положба, се проектира точка на подот вертикално во однос на плафонот.

Функцијата за исправена положба служи на пример за пренос на референтна точка наменета за монтажа на осветлување и вентилација, или за пренос на висини.

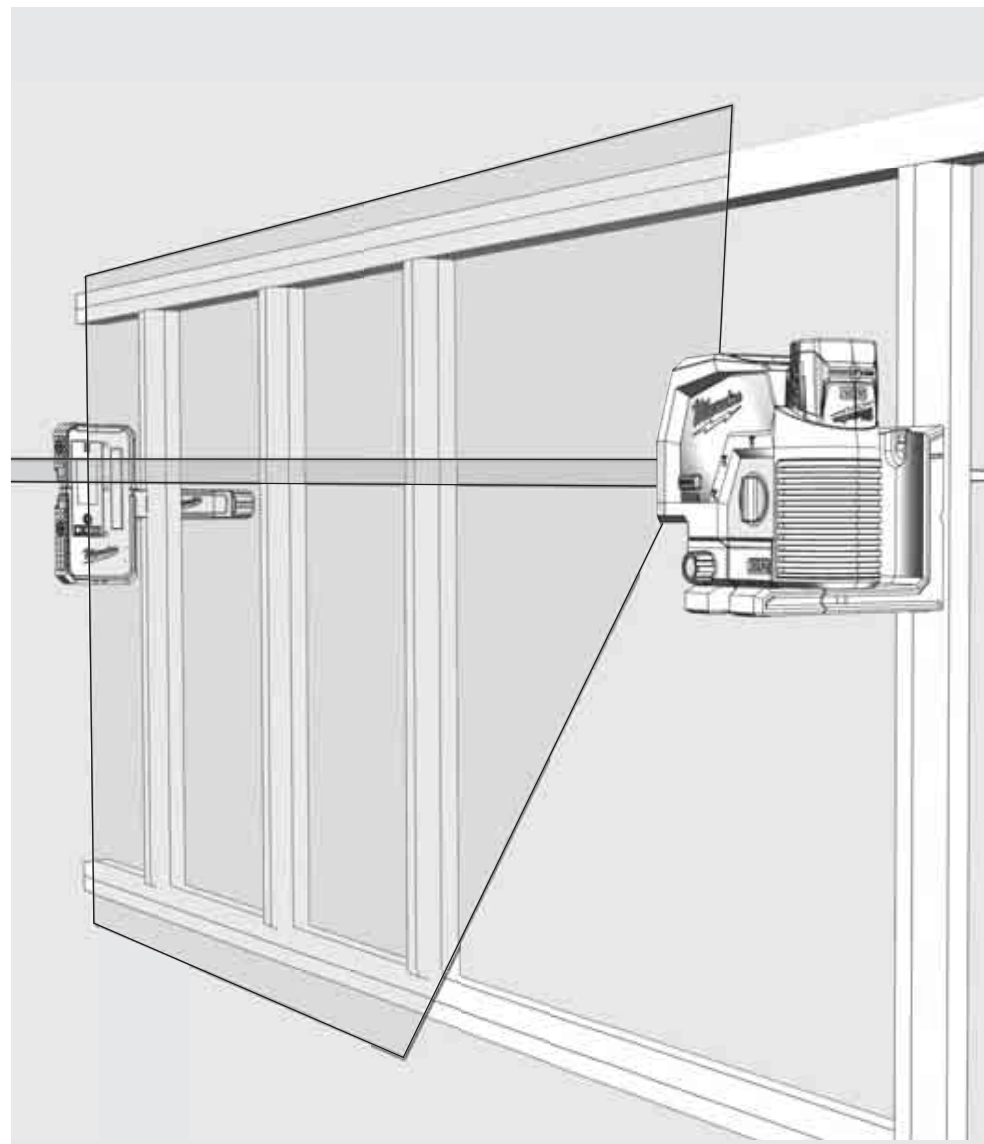


ДЕТЕКТОР

За работа на отворено под директна сончева светлина, или светли услови и за проширени опсези во затворен простор до 50 метри, користете го детекторот Милвоки.

Детекторот не се содржи во испораката и мора да се нарача одделно.

Информации како се користи детекторот може да пронајдете во упатствата за ракување на детекторот.



Ласерот е целосно калибриран фабрички. Milwaukee препорачува редовно да се проверува прецизноста на ласерот, пред сè по секој пад или во ситуации кога е ракуван неправилно.

Ако е надминато максималното отстапување при проверката на прецизноста, обратете се во сервисен центар на Milwaukee (видете го списокот со гарантни услови и адреси на сервисни центри).

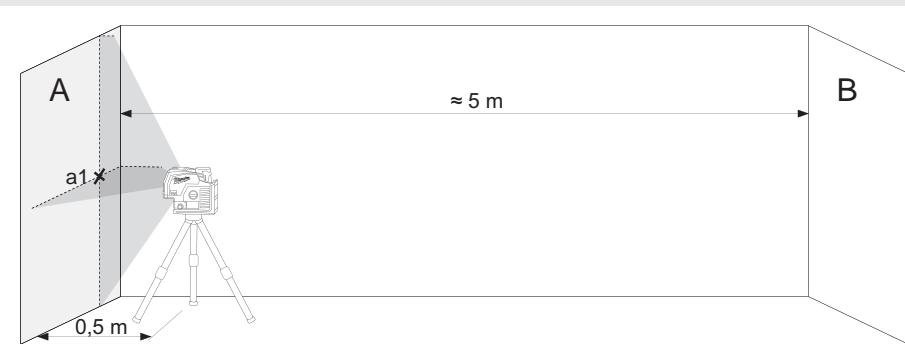
1. Проверка на прецизноста за висина на хоризонталната линија.
2. Проверка на прецизноста за нивелирање на хоризонталната линија.
3. Проверка на прецизноста за нивелирање на вертикалната линија.
4. Проверка на прецизноста на вертикалната положба.

Пред секоја проверка на прецизноста на ласерот монтиран на статив, проверете го нивелирањето на стативот.

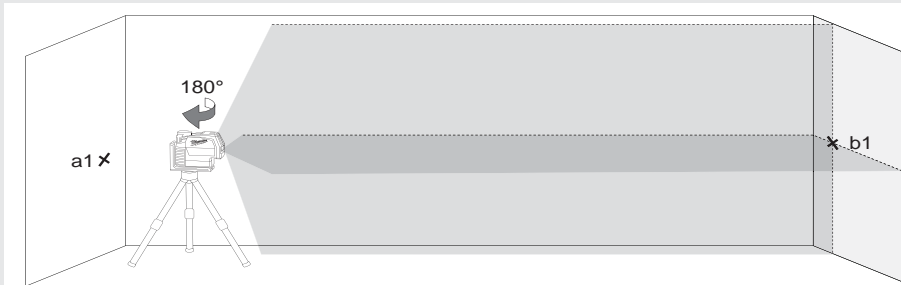


1 ПРОВЕРКА НА ПРЕЦИЗНОСТА ЗА ВИСИНА НА ХОРИЗОНТАЛНАТА ЛИНИЈА (ОТСТАПУВАЊЕ НАГОРЕ И НАДОЛУ)

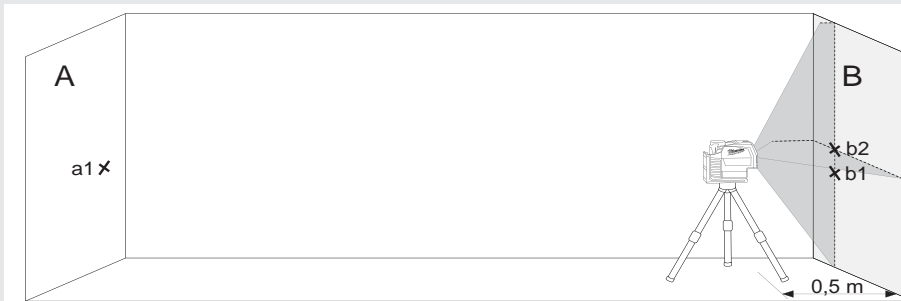
1. Поставете го ласерот на статив или на рамна подлога меѓу два зида А и В, приближно раздалечени 5 m еден од друг.
2. Поставете го ласерот на растојание приближно 0,5 m од ѕид А.
3. Вклучете го самонивелирачкиот режим и притиснете го копчето за да се проектира хоризонталната и вертикалната линија на ѕид А.
4. Означете ја пресечната точка на двете линии на ѕид А како точка a1.



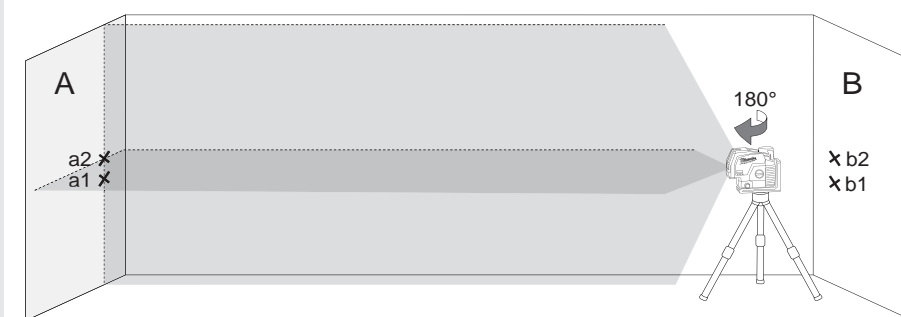
5. Свртете го ласерот за 180° во насока на ѕид В и означете ја пресечната точка на двете линии на ѕид В како b1.



6. Поставете го ласерот на растојание приближно 0,5 m од ѕид В.
7. Означете ја пресечната точка на двете линии на ѕид В како точка b2.



8. Свртете го ласерот за 180° во насока на ѕид А и означете ја пресечната точка на двете линии на ѕид А како a2.



9. Измерете ги растојанијата:

$$\Delta a = |a2 - a1|$$

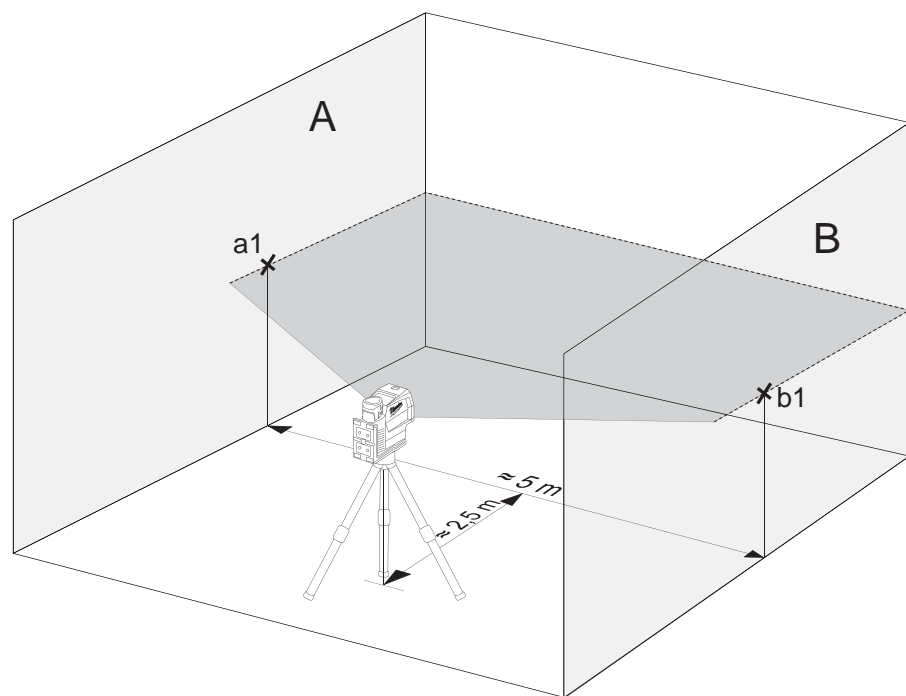
$$\Delta b = |b1 - b2|$$

10. Разликата $|\Delta a - \Delta b|$ не смее да биде поголема од 2 mm.

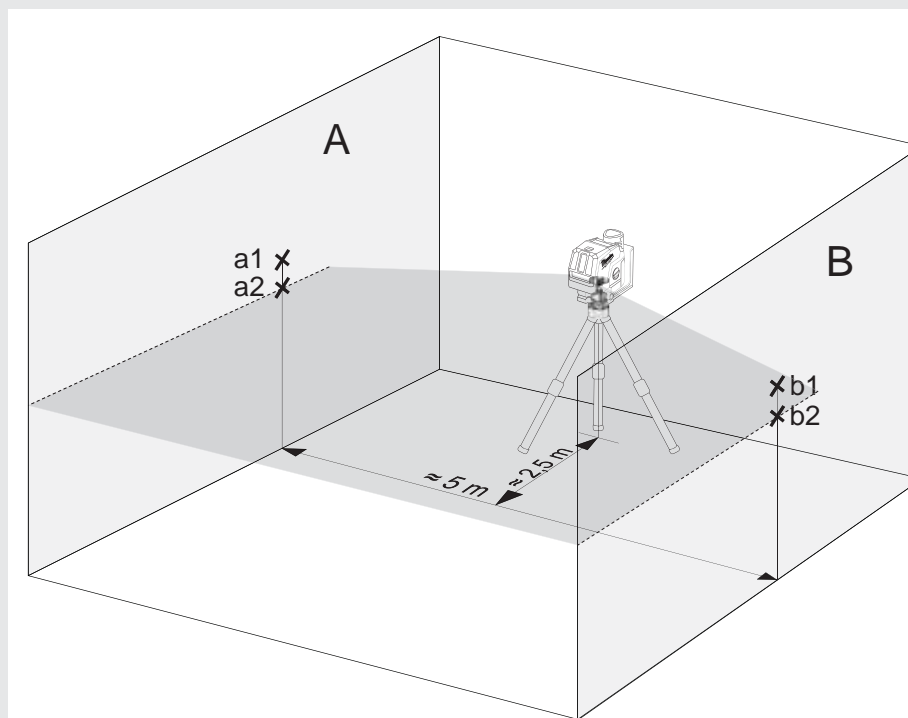
2 ПРОВЕРКА НА ПРЕЦИЗНОСТА ЗА НИВЕЛИРАЊЕ НА ХОРИЗОНТАЛНАТА ЛИНИЈА (ОТСТАПУВАЊЕ ОД ЕДНАТА СТРАНА ВО ОДНОС НА ДРУГАТА)

За оваа проверка е потребна слободна површина од приближно 5 x 5 m.

1. Поставете го ласерот на статив или на цврста подлога меѓу два зида А и В, приближно раздалечени 5 m еден од друг.
2. Поставете го ласерот приближно на 2,5 m од средината на просторијата.
3. Вклучете го самонивелирачкиот режим и притиснете го копчето за да се проектира хоризонталната линија на ѕидовите А и В.
4. Означете ја средишната точка на ласерската линија на ѕид А со а1 и ѕид В со b1.



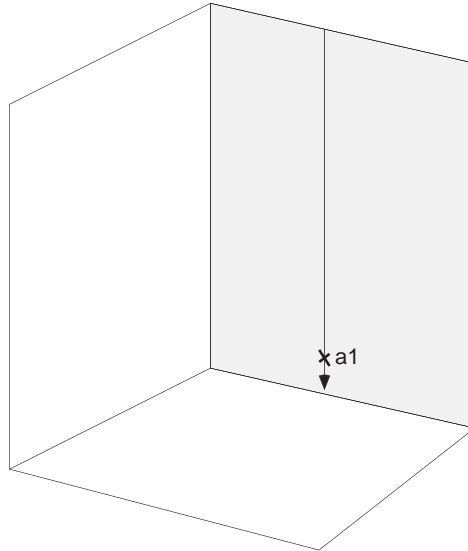
5. Поместете го ласерот приближно 5 m и свртете го за 180°, а хоризонталната линија повторно проектирајте ја на ѕидовите А и В.
6. Означете ја средишната точка на ласерската линија на ѕид А со а2 и ѕид В со b2.



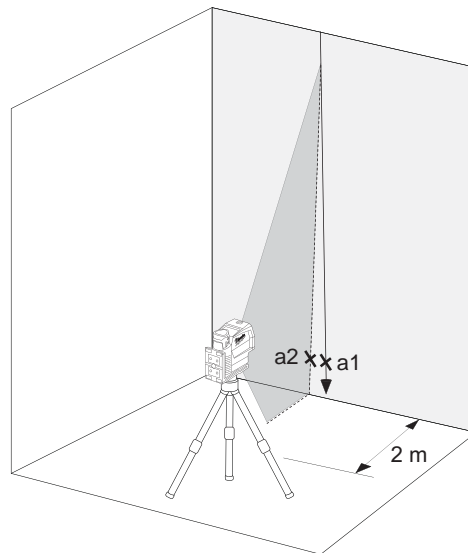
7. Измерете ги растојанијата:
 $\Delta a = |a2 - a1|$
 $\Delta b = |b1 - b2|$
8. Разликата $|\Delta a - \Delta b|$ не смее да биде поголема од 2 mm.

3 ПРОВЕРКА НА ПРЕЦИЗНОСТА ЗА НИВЕЛИРАЊЕ НА ВЕРТИКАЛНАТА ЛИНИЈА

1. Закачете на сид приближно 4 m долго јаже со приврзан висок.
2. Откако високот ќе се стабилизира, означете ја на сидот точката a1 над високот.



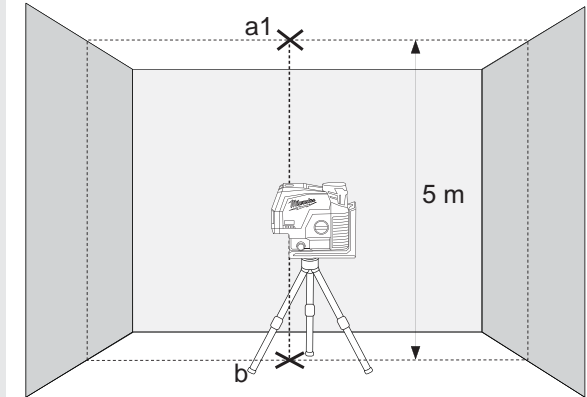
3. Поставете го лазерот на статив или на рамна подлога на оддалеченост приближно 2 m од сидот.
4. Вклучете го самонивелирачкиот режим и притиснете го копчето за да се проектира вертикалната линија врз линијата на јажето со висок.
5. Вртете го лазерот додека вертикална линија не се совпадне со прикачувањето на јажето со висок.
6. Означете ја точката a2 во средината на вертикалната линија на иста висина како a1 на сидот.
7. Растојанието меѓу a1 и a2 не смее да биде поголемо до 1 mm.



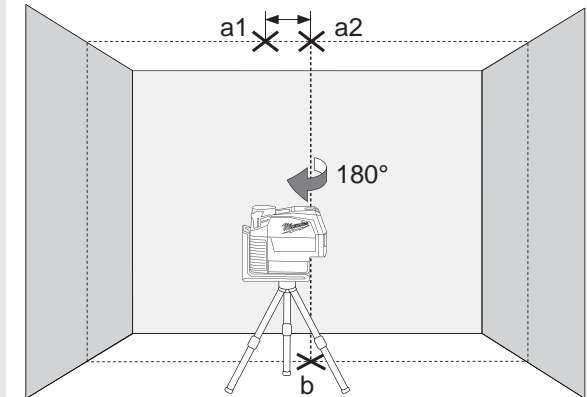
4 ПРОВЕРКА НА ПРЕЦИЗНОСТА НА ВЕРТИКАЛНАТА ПОЛОЖБА

За оваа проверка е потребна просторија со плафон со висина од приближно 5 m.

1. Поставете крстот лазер на статив.
2. Вклучете го режимот на самостојно израмнување и притиснете го копчето за притискање за да се префрлите на функцијата дебеличка.
3. Означете ја горната поставена точка на таванот како точка a1 (видете ја илустрацијата).



4. Обележете ја долната точка на подот како точка б.
5. Свртете го лазерот за 180° и позиционирајте го така што средишната вертикална точка падне на веќе обележаната точка б и почекајте додека уредот не се нивелира.
6. Означете ја горната поставена точка на таванот како точка a1 (видете ја илустрацијата).
7. Растојанието меѓу точките a1 и a2 на плафонот укажува на отстапувањето на ласерската линија од идеалната вертикална линија. Ако мерното растојание е 5 m, максималното дозволено отстапување изнесува: $5 \text{ m} \times (\pm 0,6 \text{ mm/m}) \times 2 = \pm 6 \text{ mm}$.
8. Растојанието меѓу a1 и a2 не смее да биде поголемо до 6 mm.



Важливі вказівки з техніки безпеки	313
Обслуговування	314
Технічні характеристики	314
Використання за призначенням	314
Огляд	315
Обладнання	316
Заміна батареї	316
Індикатор ємності акумулятора	317
Індикатор низької заряду акумулятора	317
Монтаж стелі	317
Настінне кріплення та зелена цільова пластина	318
Робота в режимі автоматичного нівелювання	319
Робота в ручному режимі	320
Функція схилу	321
Детектор	321
Перевірка точності	322

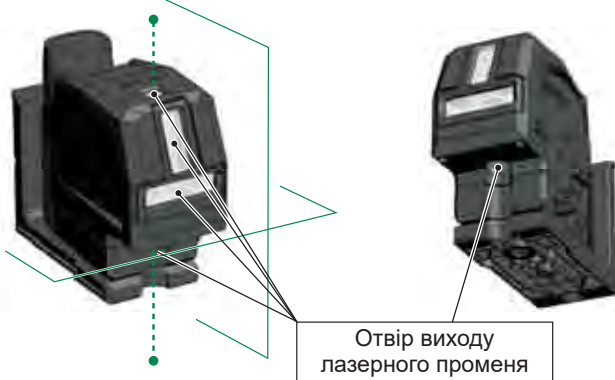
ВАЖЛИВІ ВКАЗІВКИ З ТЕХНІКИ БЕЗПЕКИ



УВАГА! ПОПЕРЕДЖЕННЯ! НЕБЕЗПЕЧНО!

Вводити виріб в експлуатацію тільки після ознайомлення з вказівками з техніки безпеки та правилами користування.

Класифікація лазера



ПОПЕРЕДЖЕННЯ:

Виріб відповідає класу лазера 2 згідно з EN60825-1:2014 .



Попередження:

Не спрямовувати промінь лазера в очі. Лазерний промінь може привести до серйозного пошкодження очей та/або сліпоти.

Не дивитися в промінь лазера та не спрямовувати його без необхідності на інших осіб.

Обережно! В деяких сферах застосування лазерний пристрій може бути встановлений позаду вас. У цьому випадку слід обернутися обережно.

Попередження:

Не працюйте з лазером поблизу дітей і не дозволяйте дітям експлуатувати лазерний пристрій.

Увага! Відбиваюча поверхня може відбивати промінь лазера назад до оператора або до іншої особи.

Попередження: Використання інших елементів управління, налаштувань або виконання інших процесів, ніж ті, що описані в інструкції, може призводити до небезпечної дії променів.

Якщо лазерний вимірювальний пристрій перенести з теплого приміщення в холодне (або навпаки), то перед використанням слід почекати, доки він не адаптується до температури навколишнього середовища.

Не зберігати лазерний нівелір на відкритому повітрі та захищати від ударів, тривалих вібрацій та екстремальних температур.

Захищати лазерний вимірювальний пристрій від пилу, вологи та високої вологості повітря. Вони можуть пошкодити внутрішні деталі або знизити точність вимірювання.

Якщо лазерне випромінювання потрапить в око, щільно закрити очі та негайно відвести голову від променя.

Зверніть увагу, що лазерний промінь слід розташувати таким чином, щоб ви самі або інші люди не були засліплені їм.

Не дивитися в струмінь лазера через оптичні допоміжні засоби, такі як бінокль чи телескопи. В іншому випадку збільшується ризик серйозного пошкодження очей.

Зверніть увагу, що окуляри для поліпшення бачення лазерних променів, призначені для кращого розпізнавання лазерних ліній, але вони не захищають очі від лазерного випромінювання.

Попереджувальні таблички на лазерному пристрої не повинні бути видалені або замасковані.

Не розбирати лазерний нівелір. Лазерний промінь може спричинити серйозні пошкодження очей.

Перед транспортуванням лазерного нівеліра перевірити, що фіксатор маятникового компенсатора защепнутий.

Вказівка: Якщо фіксатор маятникового компенсатора не защепнутий, це може привести до пошкодження всередині пристрою під час транспортування.


Не використовувати агресивні засоби для чищення або розчинники. Чистити тільки чистою м'якою серветкою.

Захищати лазерний нівелір від сильних ударів і падінь. Після падіння або сильного механічного впливу необхідно перевірити точність пристрою перед використанням.

Виконувати необхідний ремонт цього лазерного приладу може тільки авторизований кваліфікований персонал.

Виріб не можна використовувати в вибухонебезпечному або агресивному середовищі.

Перед тривалим простоем пристрою витягти батареї з відсіку для батарей. Це дозволить уникнути витoku батарей та пов'язаних з ним корозійних пошкоджень.

 Розрядженні батареї не можна утилізувати з побутовими відходами. Відпрацьовані батареї згідно з національними або місцевими приписами необхідно здати для утилізації, безпечної для довкілля, в передбачені для цього приймальні пункти. Пристрій не можна утилізувати з побутовими відходами.

Пристрій необхідно утилізувати належним чином. Необхідно дотримуватись положень щодо утилізації, які враховують специфіку певної країни. Зверніться до місцевого адміністративного органу або до свого дилера для отримання інформації щодо утилізації.



ОБСЛУГОВУВАННЯ

Чистити об'єкти та корпус лазерного нівеліра тільки чистою м'якою серветкою. Не використовувати розчинники.

Навіть якщо лазерний нівелір має певну стійкість до пилу та бруду, не слід зберігати його в запиленому місці протягом тривалого часу, оскільки це може привести до пошкодження внутрішніх рухомих деталей.

Якщо на лазерний нівелір потрапила волога, перед використанням висушити його в футлярі для перенесення, щоб уникнути пошкоджень від іржі.

ТЕХНІЧНІ ХАРАКТЕРИСТИКИ

Клас лазера	2
Діапазон автоматичного нівелювання	$\pm 4^\circ$
Тривалість автоматичного нівелювання	3 сек
Тип батареї	Li-Ion
Напруга пост. струму	12В ===
Ступінь захисту (бризки води та пил)	IP54*
Відмітка макс. висоти	2000 m
Макс. відносна вологість повітря	80%
Ступінь забруднення згідно з IEC 61010-1	2**
Тривалість імпульсу t_p	$\leq 80 \mu s$
Функції	горизонтальна лінія, вертикальних ліній, перехресні лінії, функція схилу (2 бали)
частота	10 кГц
Проекції	2 зелені лінії, 2 бали зеленого кольору
Кількість діода	2
Тип діода	30 mW
Шаблон проектування лазерних ліній	Поодинокі горизонтальні, поодинокі вертикальні 2 крапки вгору та вниз, поперечні лінії 2 відведення точки (вгору та вниз).
Час роботи	15 годин зі змінною акумуляторною батареєю M12 3.0 Ah
Різьблення штатива	1/4" / 5/8"
Відповідний детектор	Milwaukee LLD50

Лінія лазера	Ширина < 9,53mm @ 30m Довжина хвилі 510 - 530 nm клас лазера II максимальна потужність $\leq 7 \text{ mW}$ Точність +/- 3 mm / 10 m Кут відкриття вертикальних ліній > 120°; горизонтальна лінія > 114° Колір зелений Зона досяжності 38 м (з детектором 50 м)
Точка схилу	Довжина хвилі лазерної точки 510 - 530 nm клас лазера II Макс. потужність лазерної точки < 1 мВт Точність схилу +/- 3 mm / 10 m Колір лазерної точки зелений Зона досяжності 30 m
Рекомендована робоча температура	від -10 °C до +40 °C
Температура зберігання	від -20 °C до +50 °C
Рекомендовані типи акумуляторів	M12 B...
Розміри	170 mm x 82 mm x 148 mm
Вага (включно з батареями)	1205 g

* Літій-іонний акумулятор і відсік для акумулятора виключені з IP54.

** Відбувається забруднення лише неелектропровідним матеріалом, однак деколи слід очікувати появи тимчасової електропровідності, викликані конденсацією.

ВИКОРИСТАННЯ ЗА ПРИЗНАЧЕННЯМ

"Виріб призначений для використання переважно в приміщенні. У разі використання за межами приміщення слід подбати про те, щоб загальні умови відповідали умовам приміщення."

Цей інноваційний лазерний нівелір призначений для експлуатації в широкому спектрі професійних областей застосування, в тому числі для:

- вирівнювання керамічної плитки, мармурових плит, шаф, бордюрів, фасонних деталей і елементів облицювання;
- нанесення контурів напрямних ліній при монтажі дверей, вікон, рейок, сходів, парканів, веранд або пергол;
- для визначення та перевірки горизонтальних і вертикальних ліній.
- Вирівнювання навісних стель і трубопроводів, поділ стін і вирівнювання труб, нівелювання зовнішніх стін для електроустановок

Цей виріб можна використовувати тільки за призначенням так, як вказано в цьому документі.

Точка схилю

Вікно вертикальної лазерної лінії

Віконце горизонтальної лазерної лінії

Кнопка режиму

Короткий натиск: виберіть між лазерними лініями:

- горизонтальні
- вертикальні + функція відведення
- поперечні лінії + функція відведення

Тривале натискання: переключення нормального режиму / режиму економії енергії

Світлодіодний дисплей ємність акумулятора

Мікрорегулювання 20° (+/- 10° від центру)

Точка схилю

Штатив для кріплення 5/8"

Штатив для кріплення 1/4"



Світлодіодна індикація лазерної лінії

- горизонтальна
- вертикальна
- поперечна лінія

М12 Акумулятор

Позначення горизонтального лазерного променя

Поверотна ручка

- OFF** Вимкнено / заблоковано
- ON** Увімкнено / ручний режим
- ON** вкл. / Режим самовирівнювання

Магнітний тримач

Монтаж стелі



ОБЛАДНАННЯ

Акcesуари - не входять до стандартного обладнання, доступні як акcesуари.

Термінал LM360



Детектор LLD50

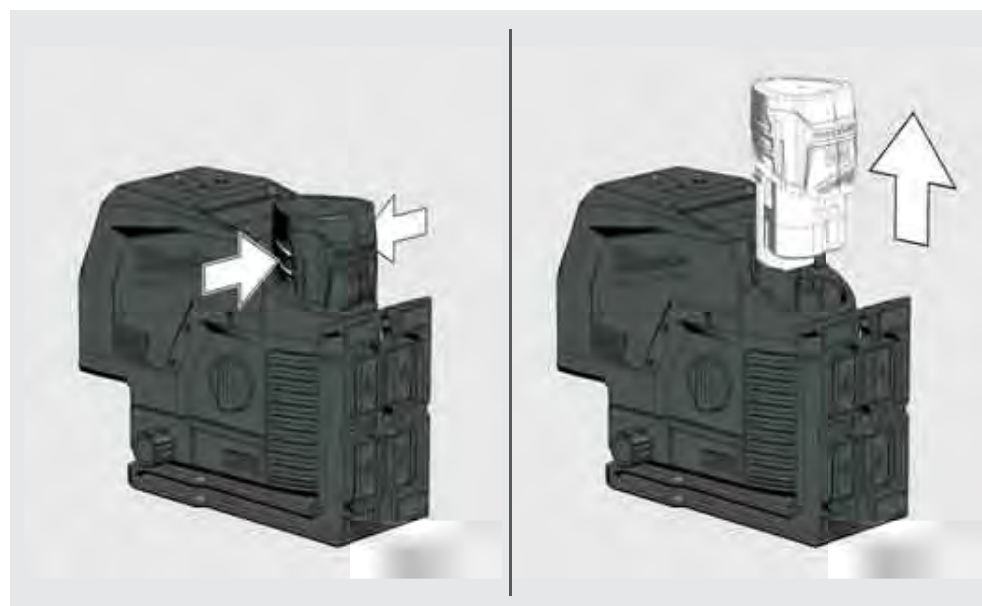
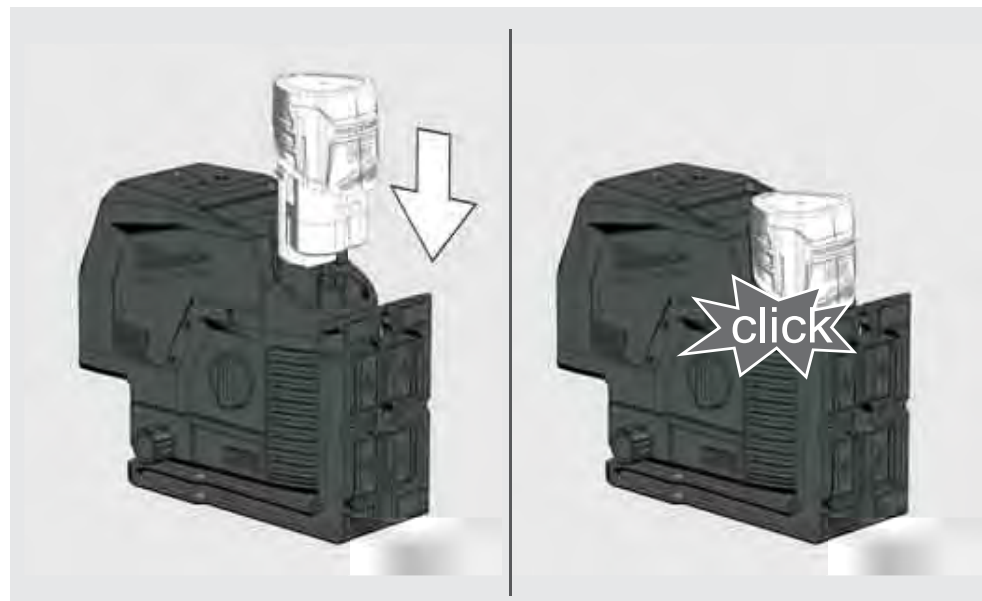


Штатив TRP180



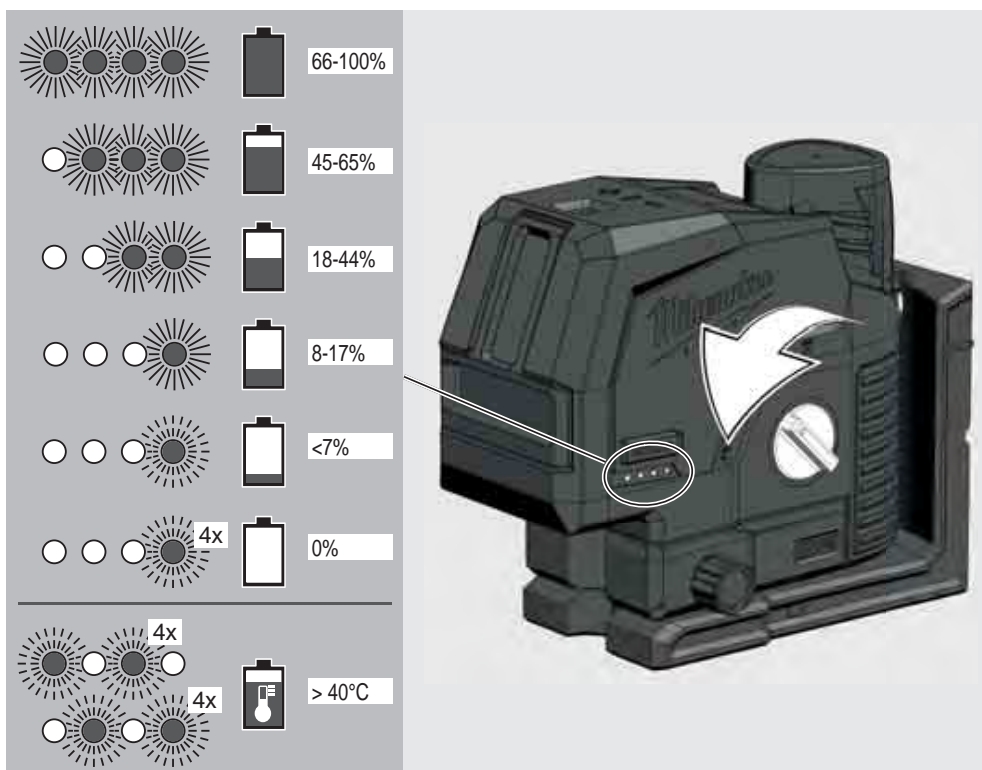
ЗАМІНА БАТАРЕЇ

Використовуйте лише акумуляторну батарею Milwaukee M12.



ІНДИКАТОР ЄМНОСТІ АКУМУЛЯТОРА

Після ввімкнення або вимкнення лазера датчик вимірювання палива відобразить ресурс акумулятора.



ІНДИКАТОР НИЗЬКОЇ ЗАРЯДУ АКУМУЛЯТОРА

Коли напруга низька, лазер переходить у режим енергозбереження.

Лазер спалахує в режимі самовирівнювання

4 сек. 1 сек.

Лазер спалахує в ручному режимі

8 сек. 1 сек.

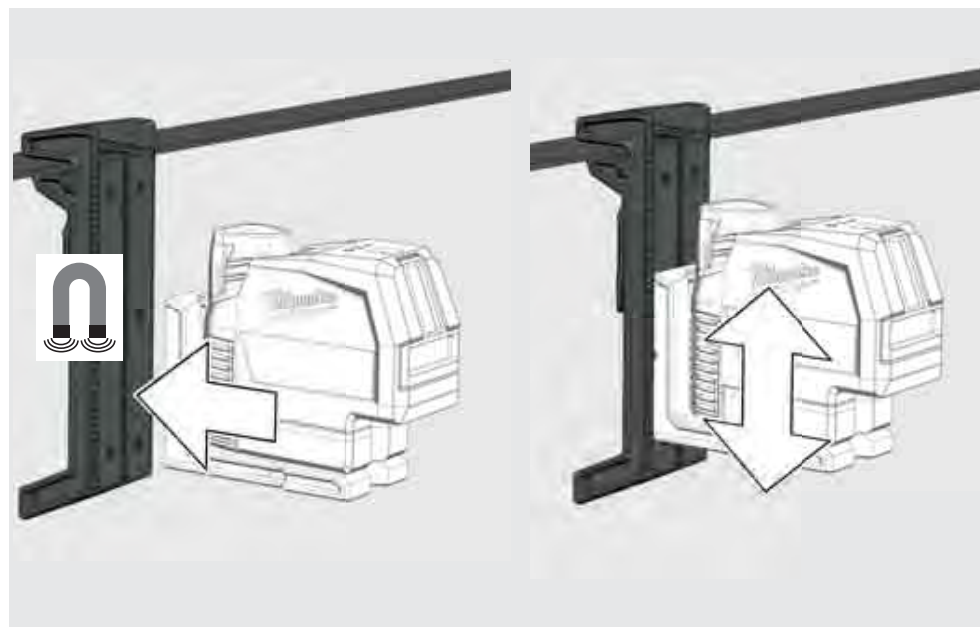
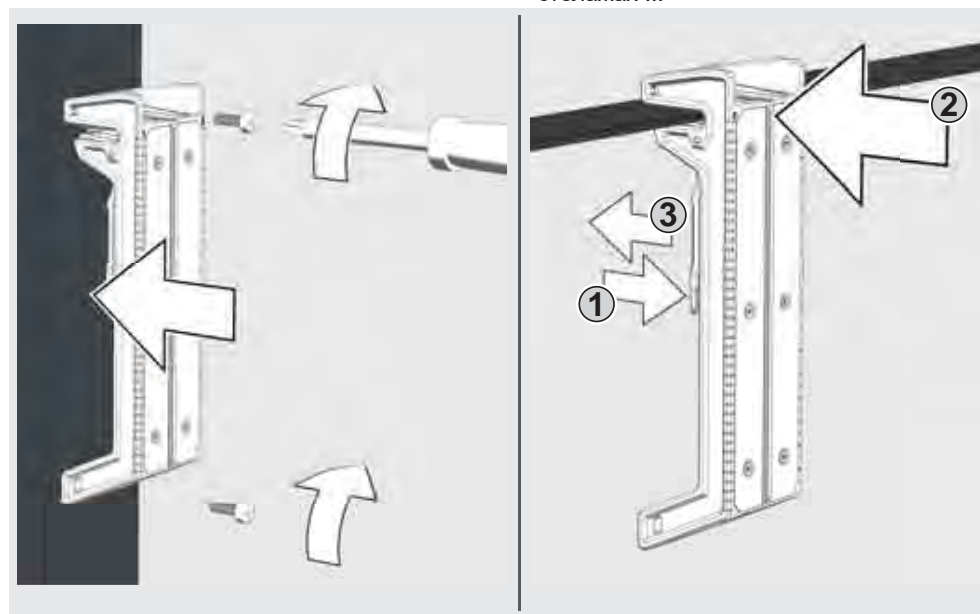
Відтепер можна продовжувати роботу.

Коли напруга буде низькою, лазер та світлодіод спалахнуть 4 рази, і він автоматично вимикається.

МОНТАЖ СТЕЛІ

Зафіксуйте доріжку за допомогою гвинтів до стовпа.

Використовуйте кріплення на стелі, щоб зафіксувати лазер на стельових каналах, стелажах ...

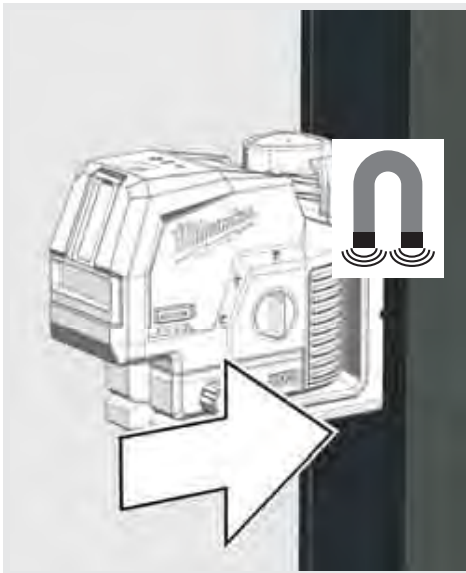


НАСТІННЕ КРІПЛЕННЯ ТА ЗЕЛЕНА ЦІЛЬОВА ПЛАСТИНА

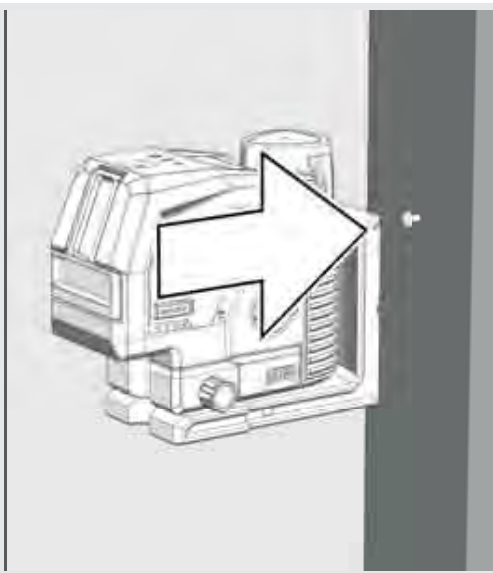
За допомогою магнітного настінного кронштейна лазерний нівелір можна кріпити до стін, металевих конструкцій та інш.

Або закріпіть за допомогою гвинта або цвяха на стовпі.

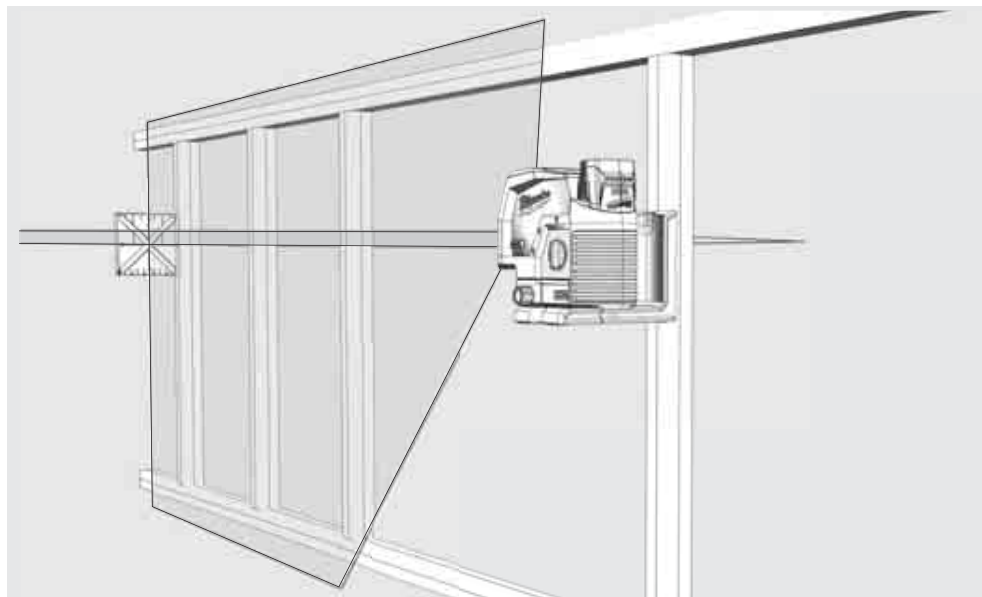
Використовуйте зелену цільову пластину для покращення видимості лазерного променя в несприятливих умовах та на більшій відстані.



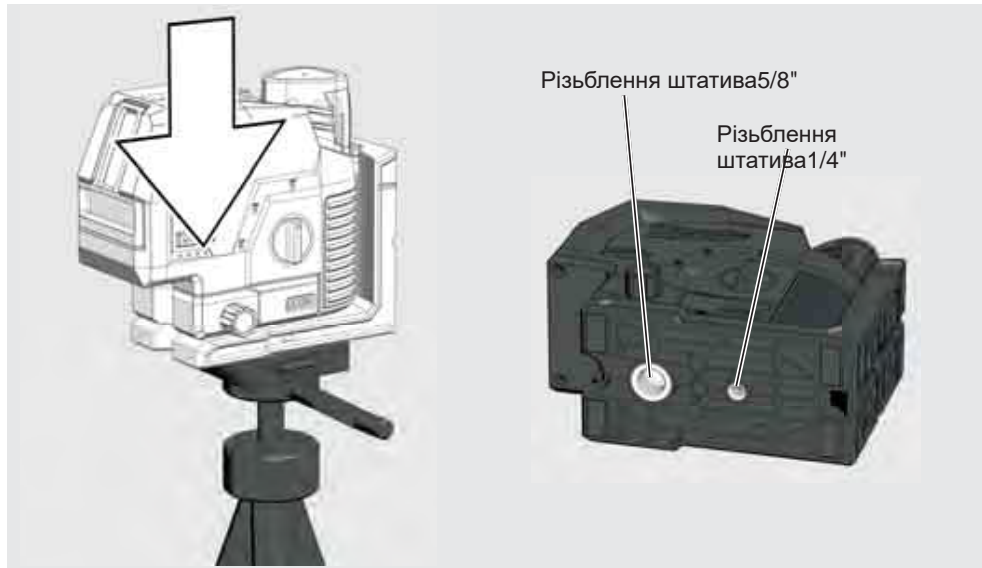
Поверніть лазер на 360 °.



Використовуйте регулятор регулювання для мікро-регулювання повороту на 20 °



Використовуйте кріплення штатива, щоб закріпити лазер на штативі.



РОБОТА В РЕЖИМІ АВТОМАТИЧНОГО НІВЕЛЮВАННЯ

В режимі автоматичного нівелювання лазерний нівелір автоматично вирівнюється в діапазоні $\pm 4^\circ$. Для цього проєктуються горизонтальна лінія, вертикальна лінія або обидві лінії одночасно.


1

Встановити лазерний нівелір на рівну і захищену від вібрацій поверхню або на штатив.



1/4" болт з різьбленням
5/8" болт з різьбленням

2

Поверніть поворотний перемикач на:  ON.

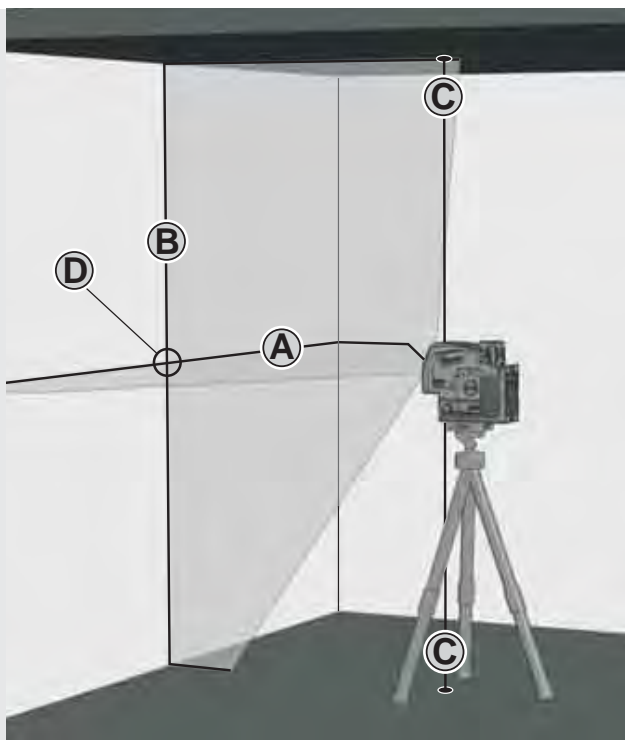


3

Лазерний нівелір генерує 2 лазерні лінії.

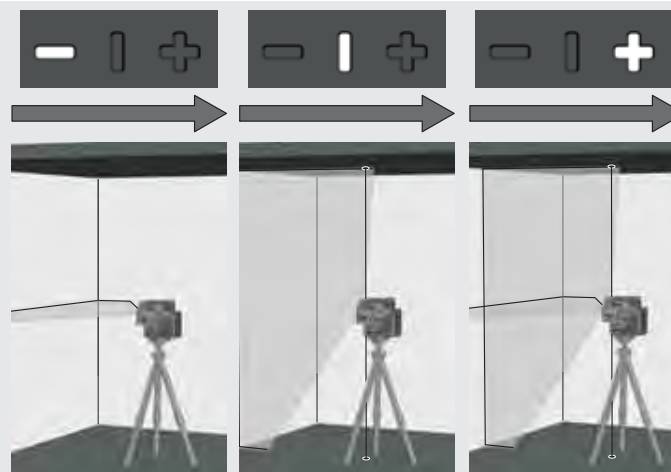
(A) горизонтальна лінія вперед
(B) вертикальна лінія вперед
(C) лазерна точки

(D) Якщо всі лінії активовані, лазерний нівелір генерує перехрещені лінії вперед.



4

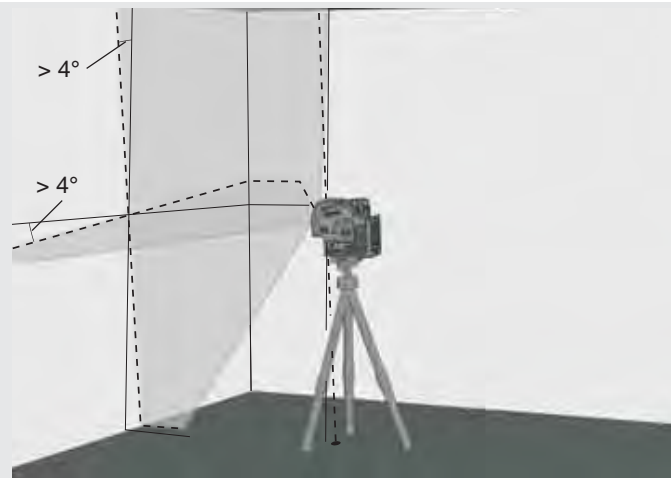
Вибрати бажані лінії за допомогою кнопки.




5

Якщо при активному автоматичному нівелюванні лазерний нівелір спочатку не вирівняний до $\pm 4^\circ$, лазерні лінії блимають.

В цьому випадку слід знову відрегулювати положення лазерного нівеліра.



6

Перед переміщенням лазера поверніть поворотний вимикач на OFF . Це блокує маятниковий компенсатор та захищає лазерний нівелір.



РОБОТА В РУЧНОМУ РЕЖИМІ

В ручному режимі функція автоматичного нівелювання деактивована, і лазерний нівелір можна встановлювати під будь-яким кутом лазерних ліній.

1

Встановити лазерний нівелір на рівну і захищену від вібрації поверхню або на штатив.



2

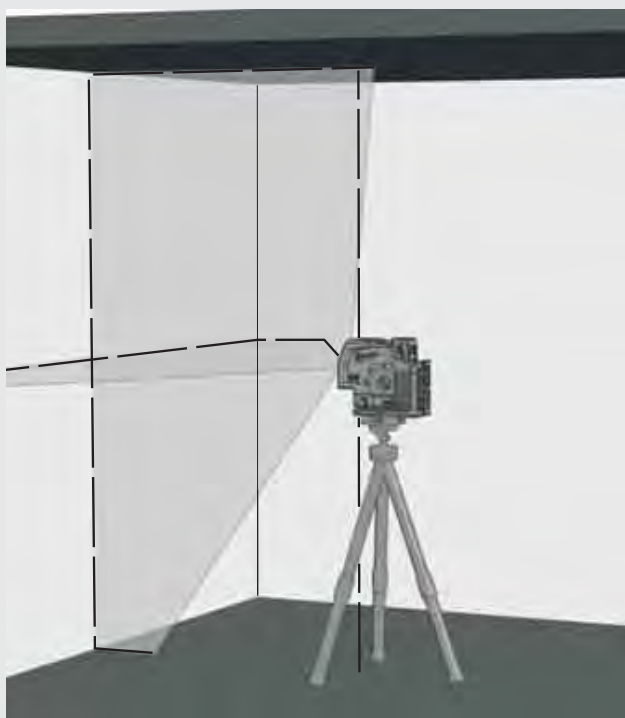
Поверніть поворотний перемикач на: **ON**.



3

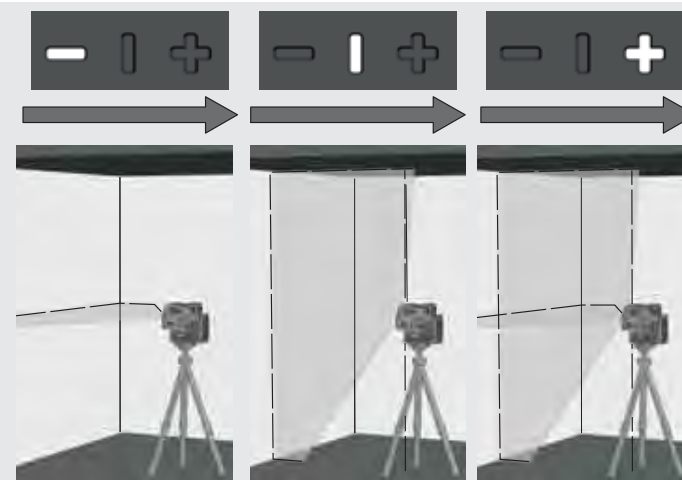
Як і в режимі автоматичного нівелювання, лазерний нівелір генерує 2 лазерні лінії, які, тим не менш, перериваються кожні 8 секунди.

8 сек. 8 сек. 8 сек.



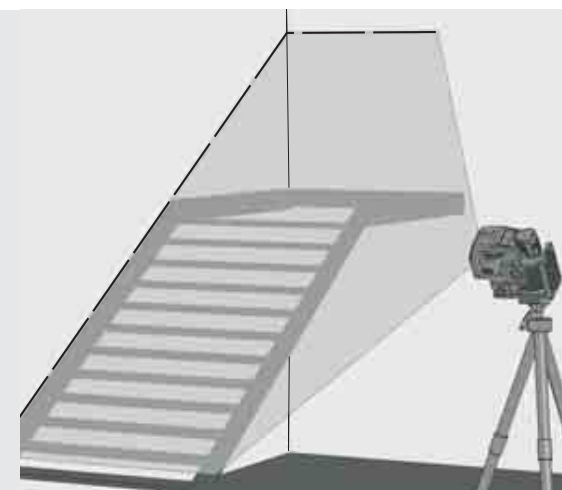
4

Вибрати бажані лінії за допомогою кнопки.



5

Відрегулювати лазерний нівелір за допомогою штатива на потрібну висоту та кут нахилу.



6

Щоб вийти з ручного режиму,

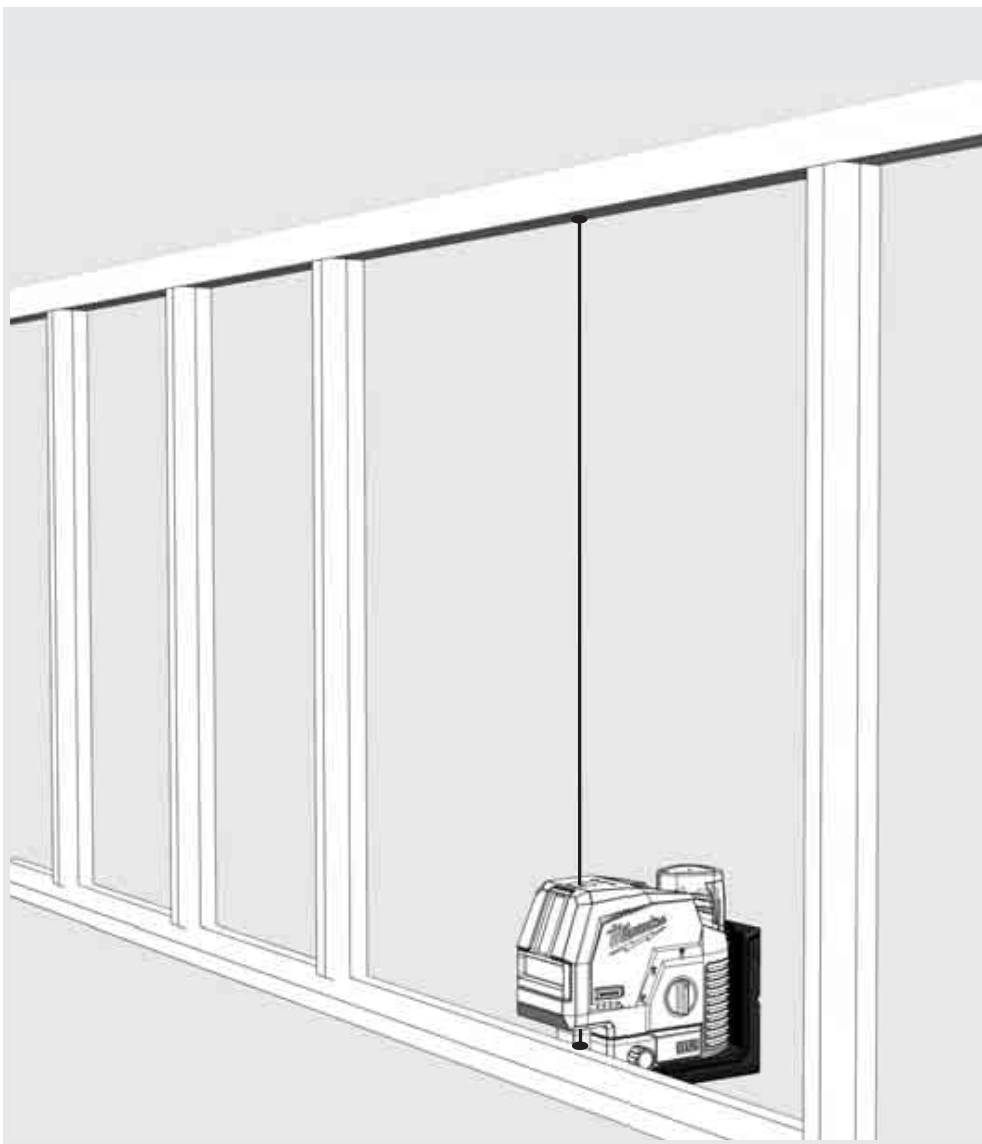
Поверніть поворотний перемикач на: **ON** або поверніть поворотний перемикач на: **OFF**.



ФУНКЦІЯ СХИЛУ

Функція схилу дозволяє проектувати точку на підлозі вертикально до стелі.

Функція схилу служить, наприклад, для передачі контрольної точки для освітлювальної та вентиляційної апаратури або для перенесення відміток по висоті.

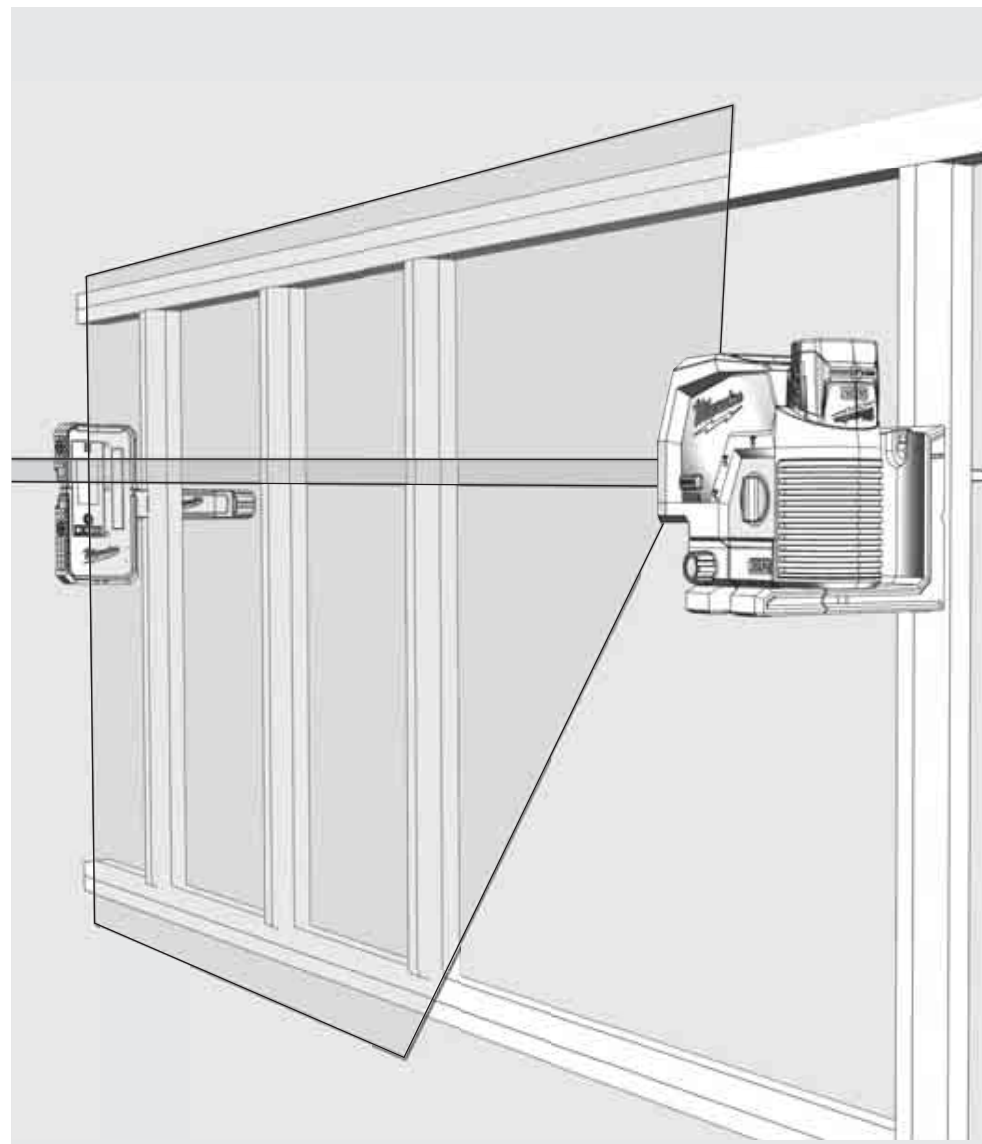


ДЕТЕКТОР

Для роботи на свіжому повітрі під прямими сонячними променями або при яскравих умовах та для розширеного діапазону приміщень до 50 метрів використовуйте детектор Мілуокі.

Детектор не входить в комплект поставки і купується окремо.

Докладну інформацію про використання детектора див. у посібнику з експлуатації детектора.



ПЕРЕВІРКА ТОЧНОСТІ

Лазерний нівелір повністю відкалібрований на заводі. Компанія Milwaukee рекомендує регулярно перевіряти точність лазерного нівеліра, перш за все після падіння або неправильної експлуатації.

При перевищенні максимального відхилення при перевірці точності зверніться в один з сервісних центрів Milwaukee (див. список з гарантійними умовами та адресами Сервісного центру).

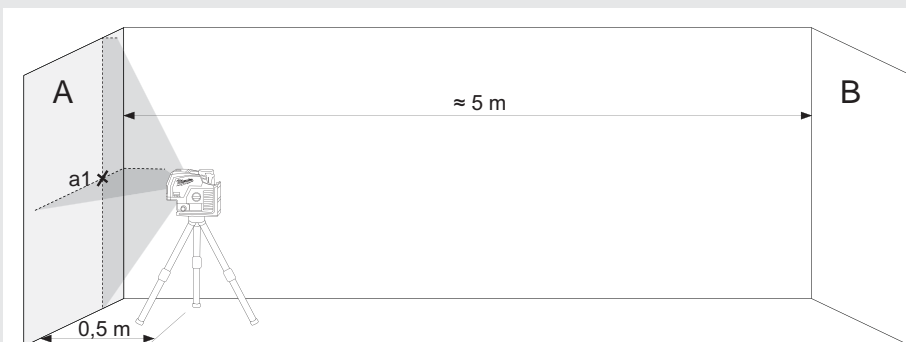
1. Перевірка точності горизонтальної лінії по висоті.
2. Перевірка точності вирівнювання горизонтальної лінії.
3. Перевірка точності вирівнювання вертикальної лінії.
4. Перевірка точності лінії схилу.

Перед перевіркою точності встановленого на штатив лазерного нівеліра

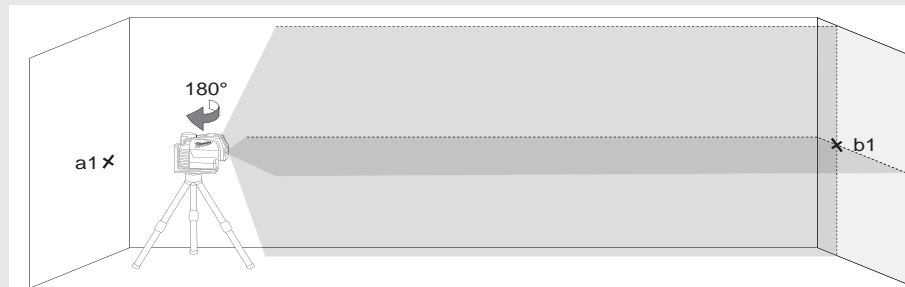


1 ПЕРЕВІРКА ТОЧНОСТІ ГОРИЗОНТАЛЬНОЇ ЛІНІЇ ПО ВИСОТІ (ВІДХИЛЕННЯ ВГОРУ І ВНИЗ)

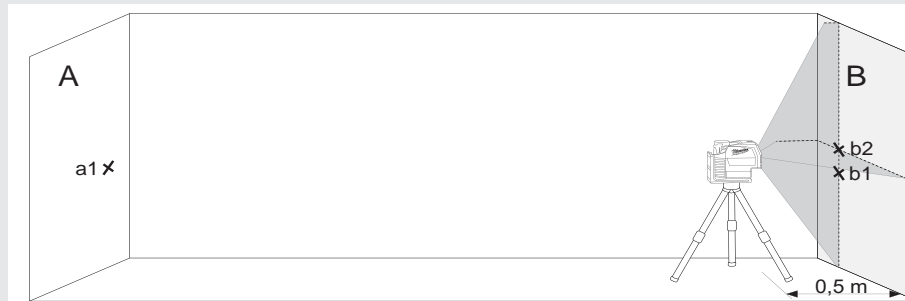
1. Встановити лазерний нівелір на штатив або на рівну поверхню між двома стінами А і В, віддаленими одна від одної приблизно на 5 м.
2. Встановити лазерний нівелір на відстані ОК. 0,5 м від стіни А.
3. Включити режим автоматичного нівелювання та натиснути кнопку для проектування горизонтальної і вертикальної ліній на стіні.
4. Позначити точку перетину обох ліній як точку a1 на стіні А.



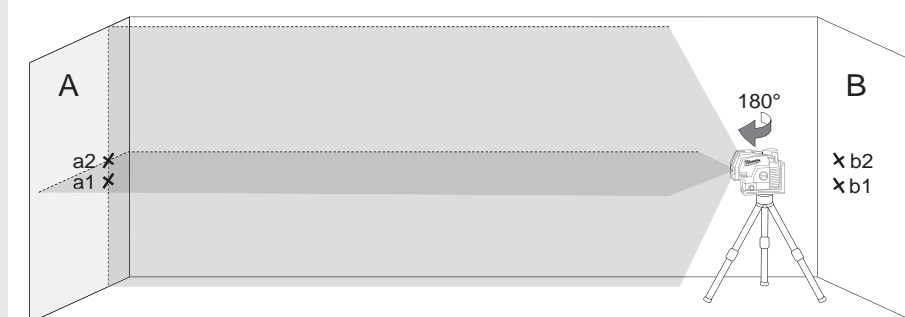
5. Повернути лазерний нівелір на 180° в напрямку стіни В та відзначити точку перетину обох ліній як точку b1 на стіні В.



6. Встановити лазерний нівелір на відстані ОК. 0,5 м від стіни В.
7. Позначити точку перетину обох ліній як точку b2 на стіні В.



8. Повернути лазерний нівелір на 180° в напрямку стіни А та відзначити точку перетину обох ліній як точку a2 на стіні А



9. Виміряти відстані:

$$\Delta a = |a2 - a1|$$

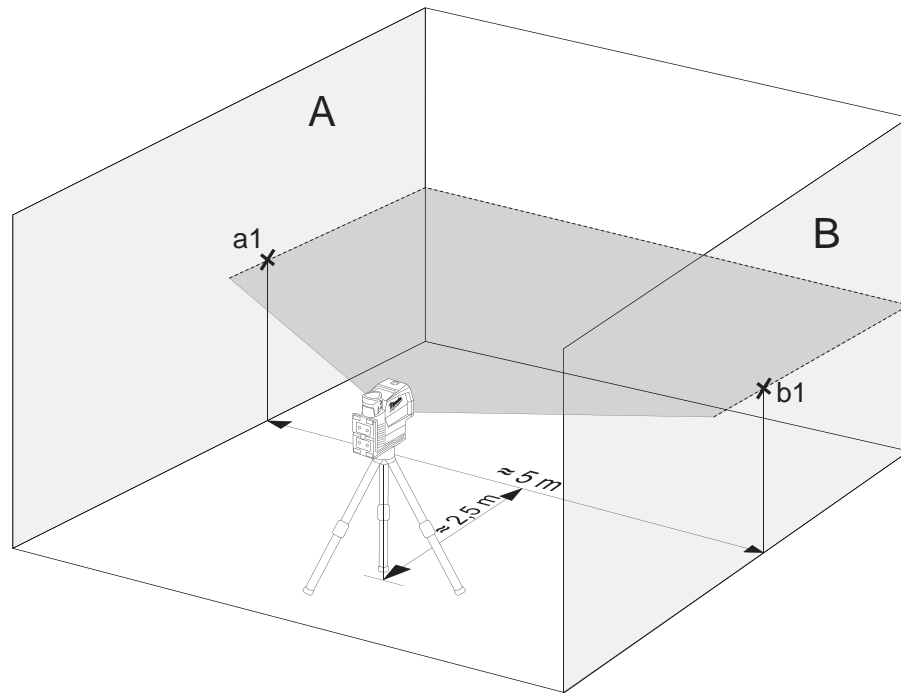
$$\Delta b = |b1 - b2|$$

10. Різниця $|\Delta a - \Delta b|$ не повинна перевищувати 2 мм.

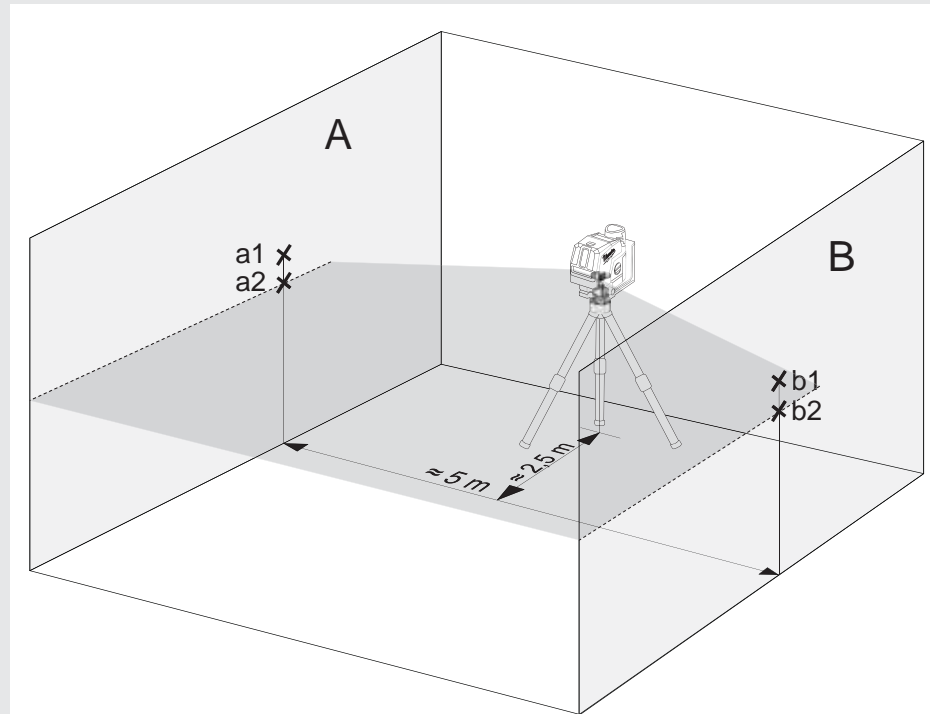
2 ПЕРЕВІРКА ТОЧНОСТІ ВИРІВНЮВАННЯ ГОРИЗОНТАЛЬНОЇ ЛІНІЇ (ВІДХИЛЕННЯ ОДНІЄЇ СТОРОНИ ВІД ІНШОЇ)

Для цієї перевірки потрібен вільний простір площею ОК. 5x5 м.

1. Встановити лазерний нівелір на штатив або на тверду поверхню між двома стінами А і В, віддаленими одна від одної приблизно на 5 м.
2. Встановити лазерний нівелір на відстані близько 2,5 м від центру приміщення.
3. Включити режим автоматичного нівелювання та натиснути кнопку для проєктування горизонтальної лінії на стінах А і В.
4. Позначити центр лазерної лінії на стіні А як а1 і на стіні В як b1.



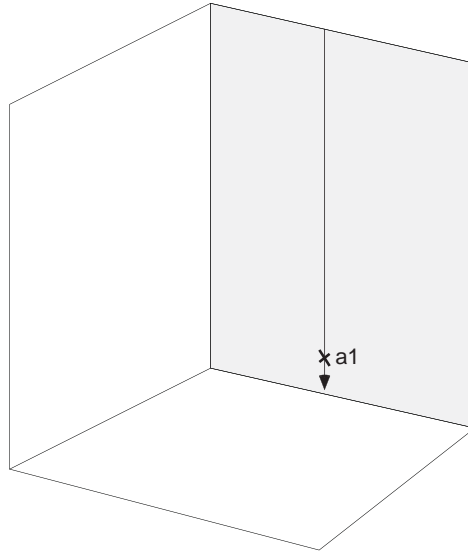
5. Змістити лазерний нівелір приблизно на 5 м, повернути на 180° і знову спроектувати горизонтальну лінію на стіни А і В.
6. Позначити центр лазерної лінії на стіні А як а2 і на стіні В як b2.



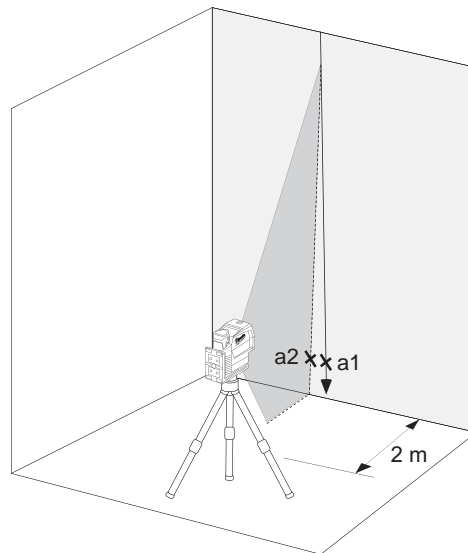
7. Виміряти відстані:
 $\Delta a = |a2 - a1|$
 $\Delta b = |b1 - b2|$
8. Різниця $|\Delta a - \Delta b|$ не повинна перевищувати 2 мм.

3 ПЕРЕВІРКА ТОЧНОСТІ ВИРІВНЮВАННЯ ВЕРТИКАЛЬНОЇ ЛІНІЇ

1. Повісити на стіну схил довжиною близько 4 м.
2. Після того як тягарець схилу зупиниться, відзначити на стіні точку a_1 над конусом тягарця.



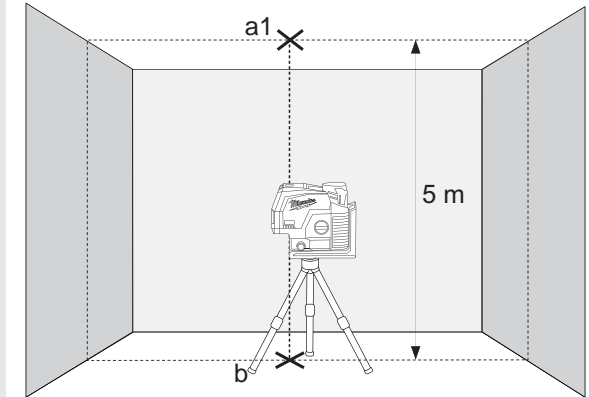
3. Встановити лазерний нівелір на штатив або на рівну поверхню на відстані близько 2 м від стіни.
4. Увімкнути режим автоматичного нівелювання та натиснути кнопку для проектування вертикальної лінії на схил.
5. Повернути лазерний нівелір таким чином, щоб вертикальна лінія збігалася з підвішеним схилом.
6. Позначте на стіні точку a_2 у центрі вертикальної лінії на тій же висоті, що і a_1 .
7. Відстань між a_1 і a_2 не повинна перевищувати 1 мм.



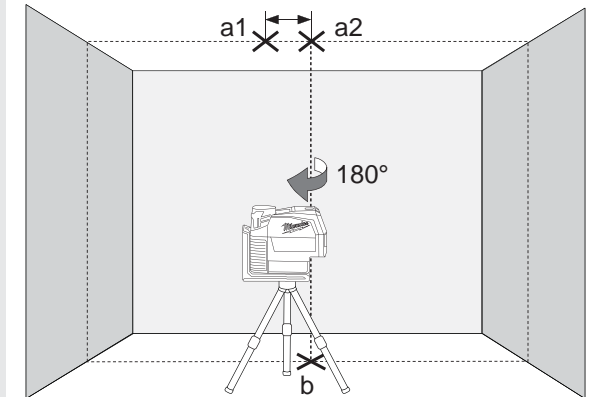
4 ПЕРЕВІРКА ТОЧНОСТІ ЛІНІЇ СХИЛУ

Для цієї перевірки потрібно приміщення з висотою стелі прибіл. 5 м.

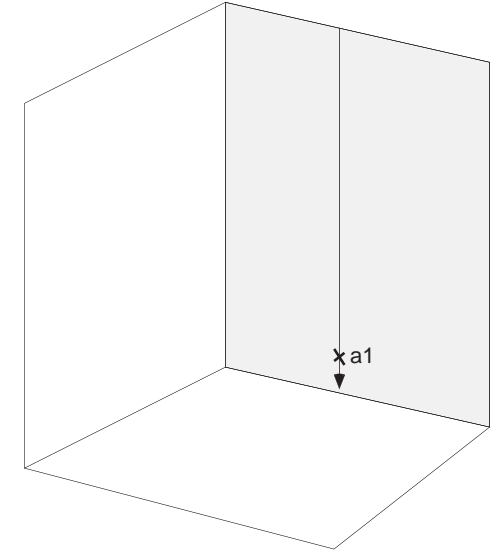
1. Встановіть поперечний лазер на штатив.
2. Увімкніть режим самовирівнювання і натисніть кнопку, щоб перейти до повної функції.
3. Позначте верхню крапку на стелі як точку a_1 (див. Ілюстрацію).
4. Позначте нижню крапку на підлозі як точку b .



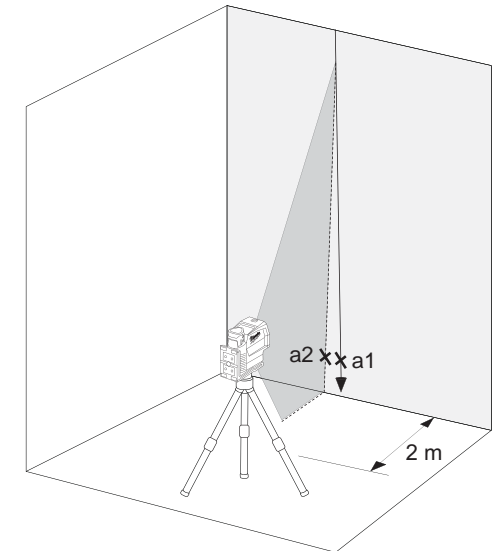
5. Повернути лазерний нівелір на 180° та помістити його таким чином, щоб центр точки схилу потрапив на вже зазначену точку b , і дочекатися вирівнювання пристрою.
6. Позначте верхню крапку на стелі як точку a_1 (див. Ілюстрацію).
7. Відстань між точками a_1 та a_2 на стелі вказує, наскільки лазерна лінія відхиляється від ідеальної прямовисної вертикалі. При вимірювальному відрізку 5 м максимально допустиме відхилення становить: $5 \text{ м} \times (\pm 0,6 \text{ мм/м}) \times 2 = \pm 6 \text{ мм}$.
8. Відстань між a_1 та a_2 не повинна перевищувати 6 мм.



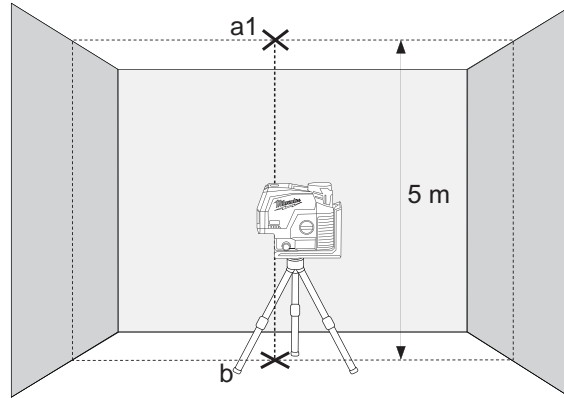
1. قم بتعليق خيط تعامد طولته تقريباً 4 م على حائط.
2. بعد أن يتوقف الشاقول عن التارجح، ضع علامة النقطة 1 فوق القمع الرصاصي على الحائط.



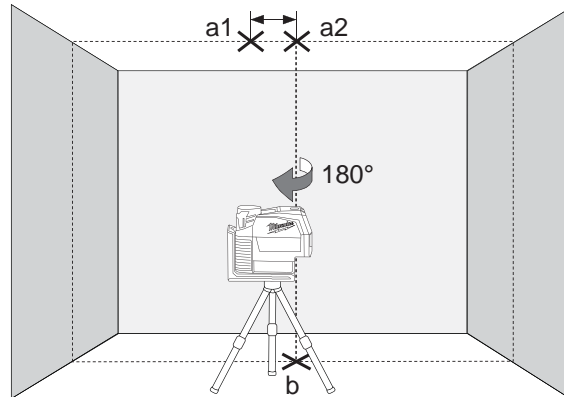
3. ضع جهاز الليزر على حامل أو أرضية مستوية على مسافة تبعد 2 متر من الحائط.
4. قم بتشغيل وضع التسوية الذاتي واضغط على الزر، لكي تعرض الخط الرأسي على خيط الشاقول.
5. قم بتدوير جهاز الليزر حتى ينطبق الخط الرأسي مع تعليق خيط الشاقول.
6. ضع علامة النقطة 2 في منتصف الخط الرأسي على الحائط عند نفس الارتفاع مثل 1.
7. لا يجوز أن تكون المسافة بين 1 و 2 أكبر من 1 مم.



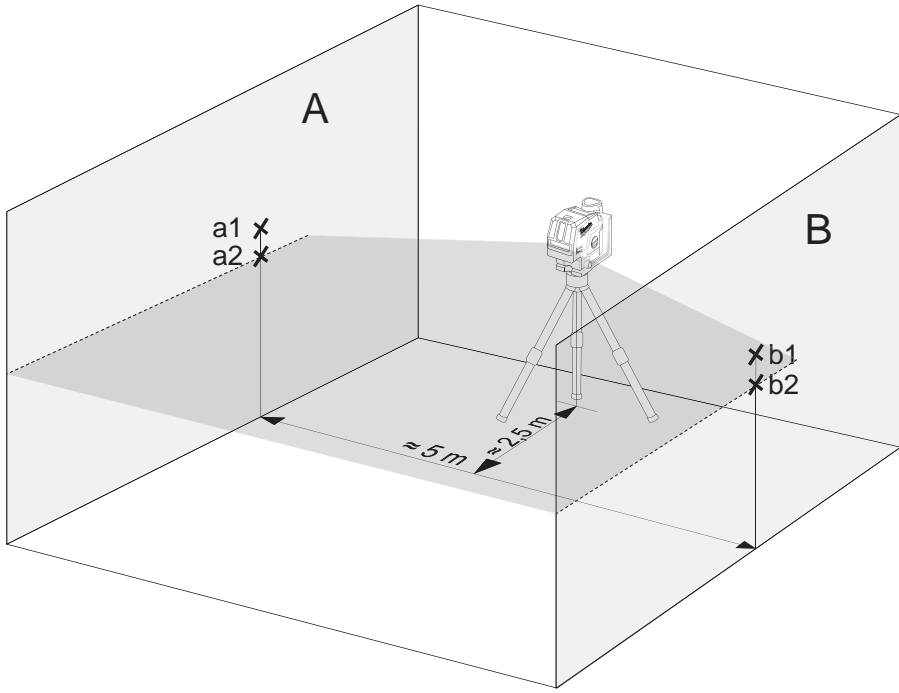
- من أجل إجراء هذا الفحص يلزم توافر غرفة بسقف يرتفع تقريباً 5 م.
1. قم بإعداد الليزر المتقاطع على حامل ثلاثي الأرجل.
 2. قم بتشغيل وضع الاستواء الذاتي واضغط على زر الضغط للتبديل إلى وظيفة ممثلي الجسم.
 3. ضع علامة على النقطة الرفيعة العلوية على السقف كنقطة a1 (انظر الرسم التوضيحي).
 4. ضع علامة على النقطة السفلية السفلية على الأرض كنقطة ب.



5. قم بتدوير جهاز الليزر بمعدل 180 درجة وضعه بحيث تقع نقطة منتصف نقطة التعامد على النقطة ب المحددة سابقاً وانتظر حتى يقوم الجهاز بتعديل مستواه.
6. ضع علامة على النقطة الرفيعة العلوية على السقف كنقطة a1 (انظر الرسم التوضيحي).
7. المسافة بين النقاط 1 و 2 على السقف تشير إلى أي حد ينحرف خط الليزر عن الاتجاه المثالي للشاقول.
- في حالة مسافة القياس 5 م يبلغ أقصى انحراف مسموح به: $5 \text{ م} \times (\pm 0,6 \text{ مم/م}) \times 2 = \pm 6 \text{ مم}$
8. لا يجوز أن تكون المسافة بين 1 و 2 أكبر من 6 مم.

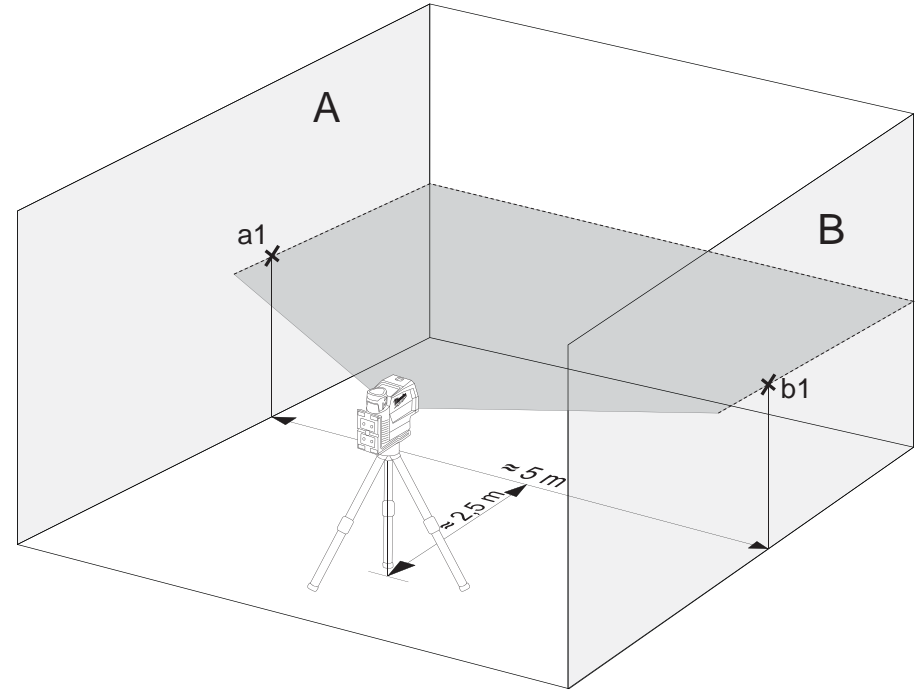


5. أنقل جهاز الليزر بمسافة 5 متر وتدويره بمعدل 180 درجة واعرض الخط الأفقي مرة أخرى على الحائط أ والحائط ب.
6. ضع علامة على نقطة منتصف خط الليزر على الحائط أ على أنها 1 وعلى الحائط ب على أنها 2.



7. قم بقياس مسافات التباعد:
 $\Delta A = |1 - 2|$
 $\Delta B = |1 - 2|$
8. لا يجوز أن يبع الفرق $|\Delta A - \Delta B|$ أكثر من 2 مم.

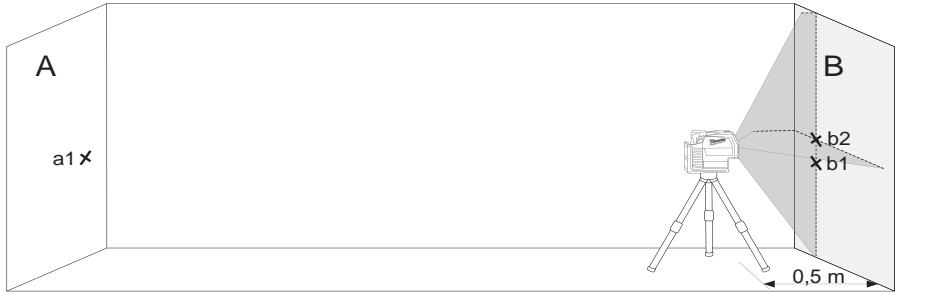
- لإجراء هذا الفحص يلزم توافر مساحة فارغة تبلغ حوالي 5 x 5 م.
1. ضع جهاز الليزر على حامل أو أرضية صلبة بين حائطين حائط أ وحائط ب يبعدان عن بعضهما البعض بمسافة 5 م.
 2. ضع جهاز الليزر بحيث يبعد عن منتصف الغرفة مسافة تبلغ حوالي 2,5 م.
 3. قم بتشغيل وضع التسوية الذاتي واضغط على الزر، لكي تعرض الخط الأفقي والرأسي على الحائط ب.
 4. ضع على علامة على نقطة منتصف خط الليزر على الحائط أ على أنها 1 وعلى الحائط ب على أنها 2.



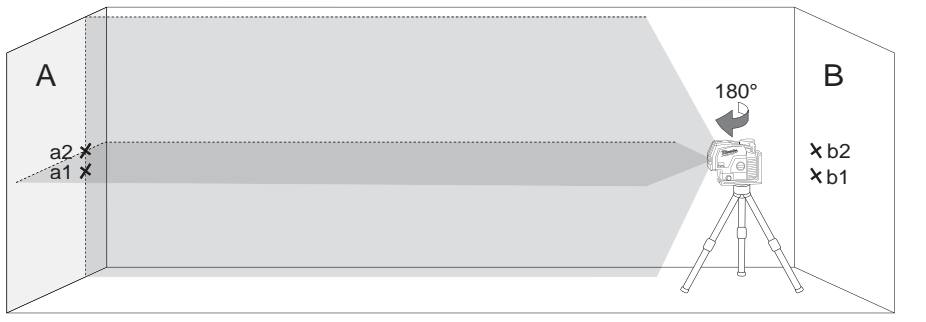
5. قم بلف جهاز الليزر بزواوية 180 درجة في اتجاه الحائط و وضع علامة على نقطة تقاطع الخطين على الحائط ب على أنها نقطة ب1.



6. ضع جهاز الليزر بحيث يبعد عن الحائط مسافة تبلغ حوالي 0,5 م.
7. ضع علامة على نقطة تقاطع الخطين على الحائط ب على انها النقطة ب2.



8. قم بلف جهاز الليزر بزواوية 180 درجة في اتجاه الحائط أ وضع علامة على نقطة تقاطع الخطين على الحائط أعلى أنها نقطة أ2.



9. قم بقياس مسافات التباعد:
 $|1 - 2| = \Delta 1$
 $|2 - 1| = \Delta 2$
10. لا يجوز أن يبع الفرق $|\Delta 1 - \Delta 2|$ أكثر من 2 مم.

جهاز الليزر يأتي من المصنع بعد معايرته تماماً. شركة Milwaukee تتصح بفحص دقة جهاز الليزر بشكل منتظم، وخاصة بعد السقوط أو في أعقاب الاستخدامات الخاطئة.
إذا تم تعدي أقصى قدر من التفاوت في حالة فحص الدقة، يرجى التوجه إلى أحد مراكز خدمة Milwaukee التابعة لنا (انظر القوائم الخاصة بشروط الضمان وعاوين مراكز الخدمة).

1. أفحص دقة ارتفاعات الخط الأفقي.
 2. أفحص دقة تسوية الخط الأفقي.
 3. أفحص دقة تسوية الخط الرأسي.
 4. أفحص دقة التعامد.
- قبل فحص دقة جهاز الليزر المثبت على الحامل تحقق من تعديل مستوى الحامل.



1

أفحص دقة ارتفاع الخط الأفقي (التفاوت إلى أعلى وإلى أسفل)

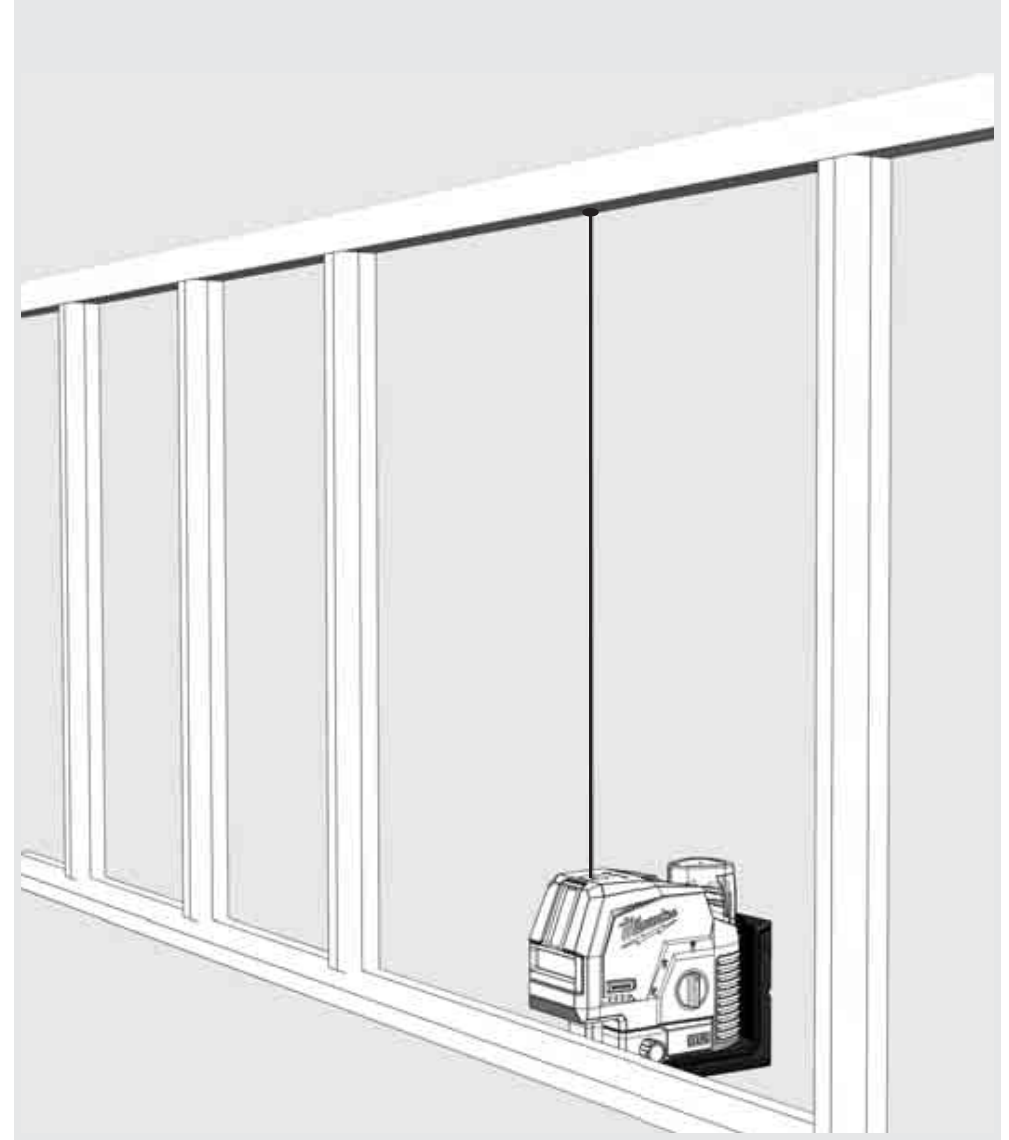
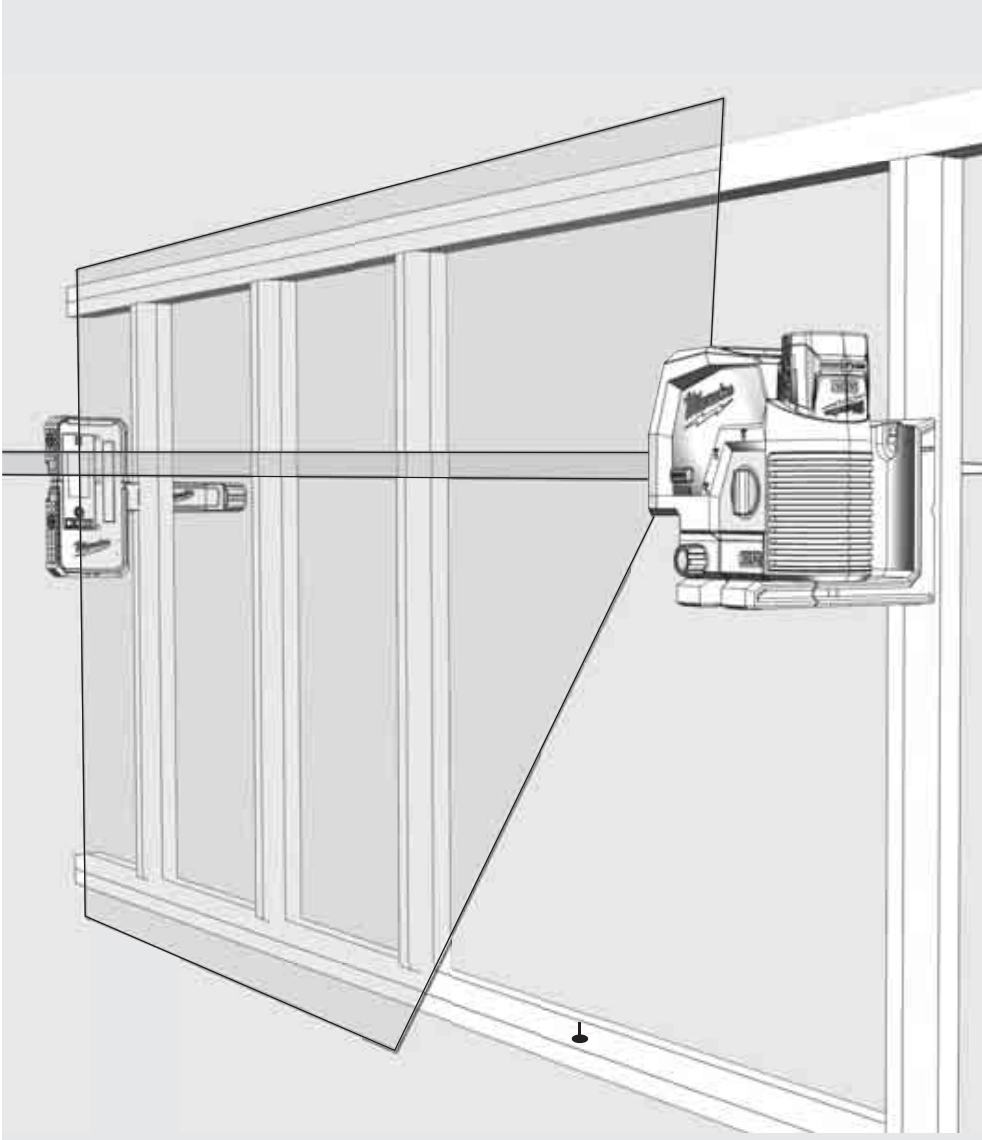
1. ضع جهاز الليزر على حامل أو أرضية مستوية بين حائطين حائط أ وحائط ب يبعدان عن بعضهما البعض بمسافة 5 م.
2. ضع جهاز الليزر بحيث يبعد عن الحائط أ مسافة تبلغ حوالي 0,5 م.
3. قم بتشغيل وضع التسوية الذاتي واضغط على الزر، لكي تعرض الخط الأفقي والرأسي على الحائط أ.
4. ضع علامة على نقطة تقاطع الخطين على الحائط أ على أنها النقطة أ1.

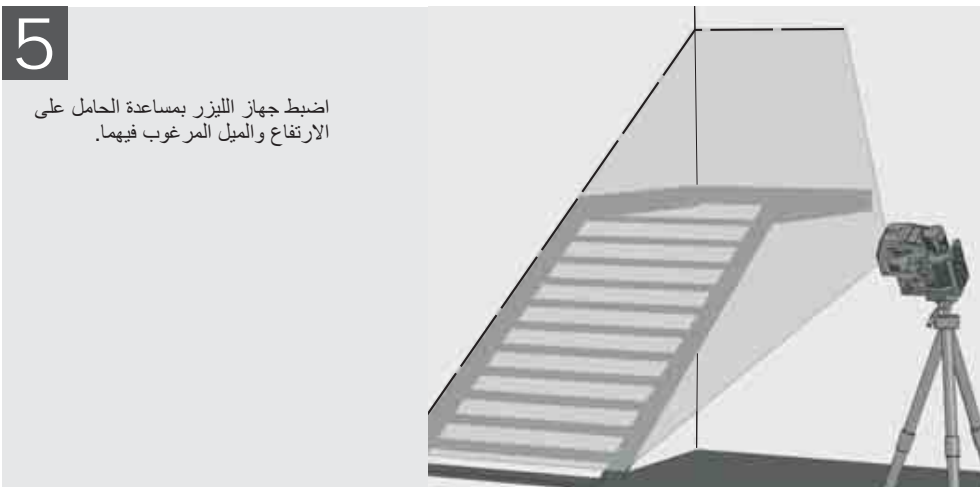
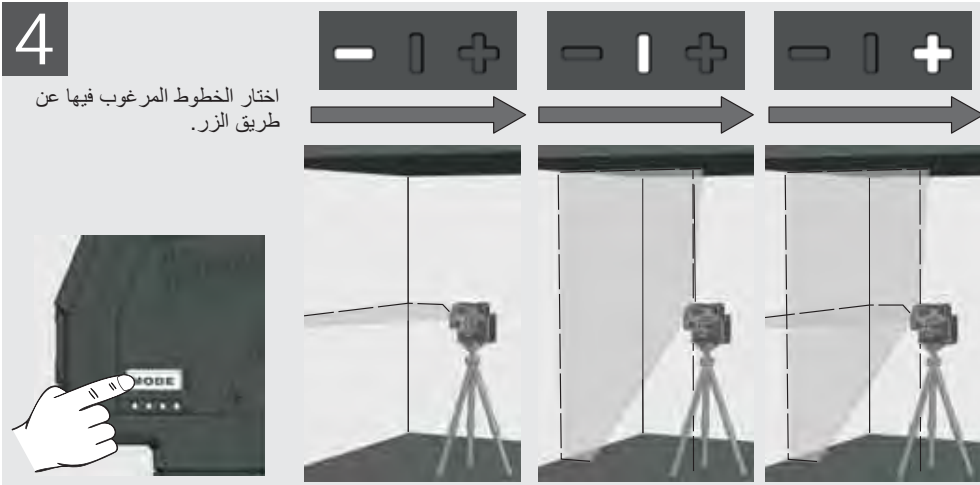


بخاصية التعامد يمكن عرض نقطة على الأرض بشكل متعامد على السقف.
تخدم خاصية التعامد على سبيل المثال نقل نقطة مراجعة لتركيب الإضاءة والتهوية أو لنقل الارتفاعات.

للعمل في الهواء الطلق تحت أشعة الشمس المباشرة ، أو الظروف الساطعة وللنطاقات الداخلية الممتدة حتى 50 مترًا ، استخدم كاشف ميلووكي.

عبوة التوريد لا تشتمل على الكاشف ويجب شرائه منفصلاً.
المعلومات التفصيلية الخاصة باستخدام الكاشف تجدونها في دليل استخدام الكاشف.

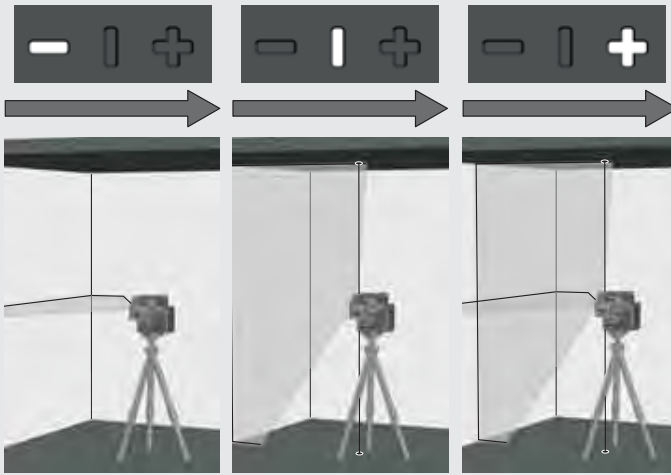




في وضع التعديل الذاتي للمستوى يُعدل جهاز الليزر نفسه في مجال يبلغ ± 3 درجات. إضافة إلى ذلك يتم عرض خط أفقي أو خط رأسي أو الخطين سوياً في نفس الوقت.

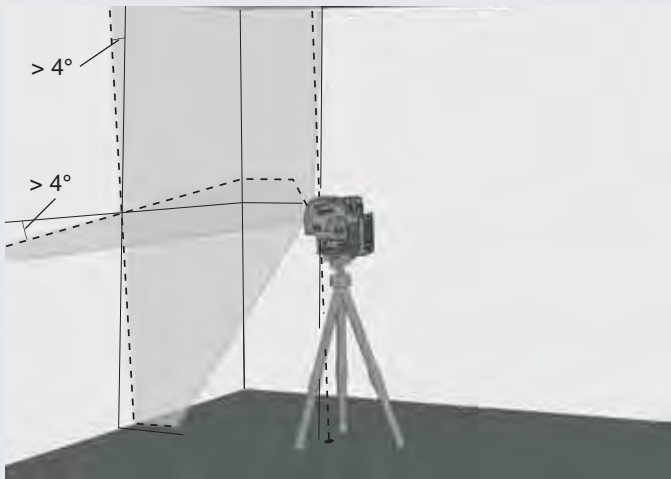
4

اختار الخطوط المرغوب فيها عن طريق الزر.



5

إذا كان جهاز الليزر ليس موجه على ± 3 درجة في حالة عمل التسوية الذاتية، فسوف تومض خطوط الليزر. في هذه الحالة يجب وضع الليزر في موضع جديد.



6

قبل تحريك الليزر، أدر المفتاح الدوار إلى OFF. من خلال ذلك سيتم تثبيت البنودول وحماية جهاز الليزر.



1

ضع جهاز الليزر على أرضية صلبة مستوية وخالية من الاهتزازات أو قم بتركيبه على حامل.



مسامير قلاووظ 1/4 بوصة
مسامير قلاووظ 5/8 بوصة

2

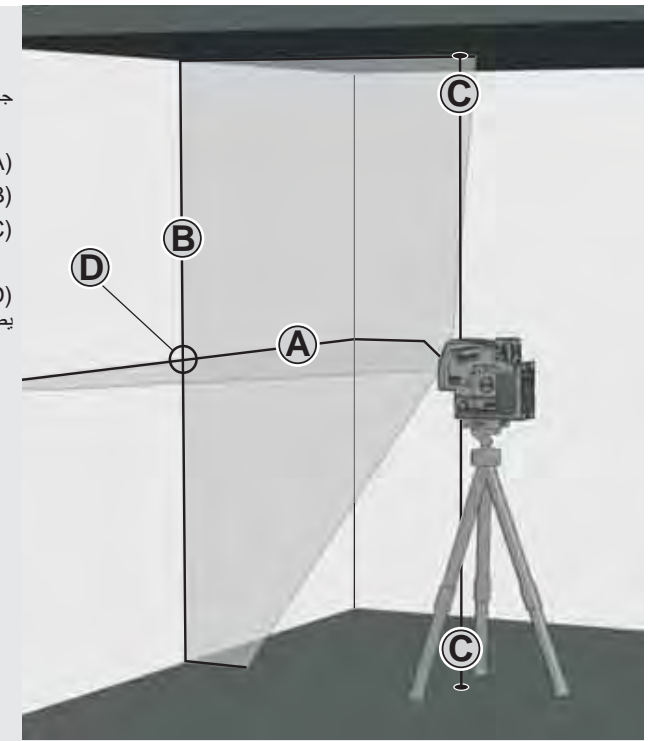
أدر المفتاح الدوار إلى ON.



3

جهاز الليزر سوف ينتج خطين ليزر

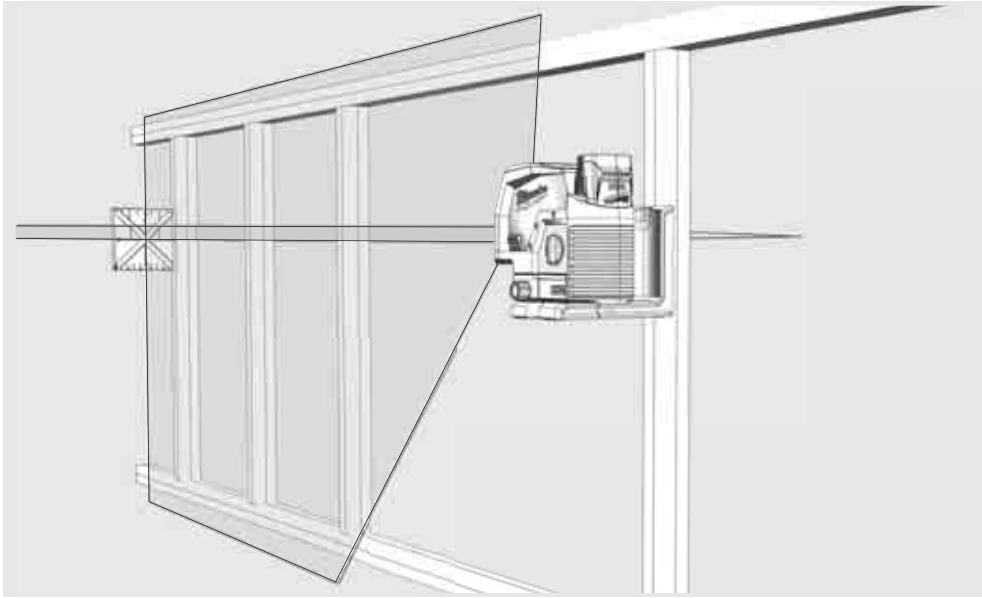
(A) خط أفقي للأمام
(B) خط رأسي للأمام
(C) نقطة الليزر
(D) إذا كان قد تم تشغيل جميع الخطوط، سوف يصدر جهاز الليزر خطوط تقاطع إلى الأمام.



استخدم لوحة الهدف الخضراء لتحسين رؤية شعاع الليزر في ظروف غير مواتية وعلى مسافات أكبر.

بحامل الحائط المغناطيسي يمكن تثبيت جهاز الليزر على الحوائط والهيكل المعدنية أو ما يشابهها.

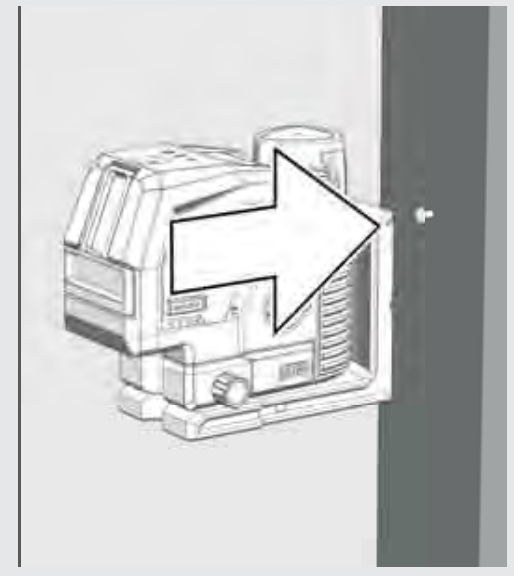
أو إصلاح بمسمار أو مسمار على عمود



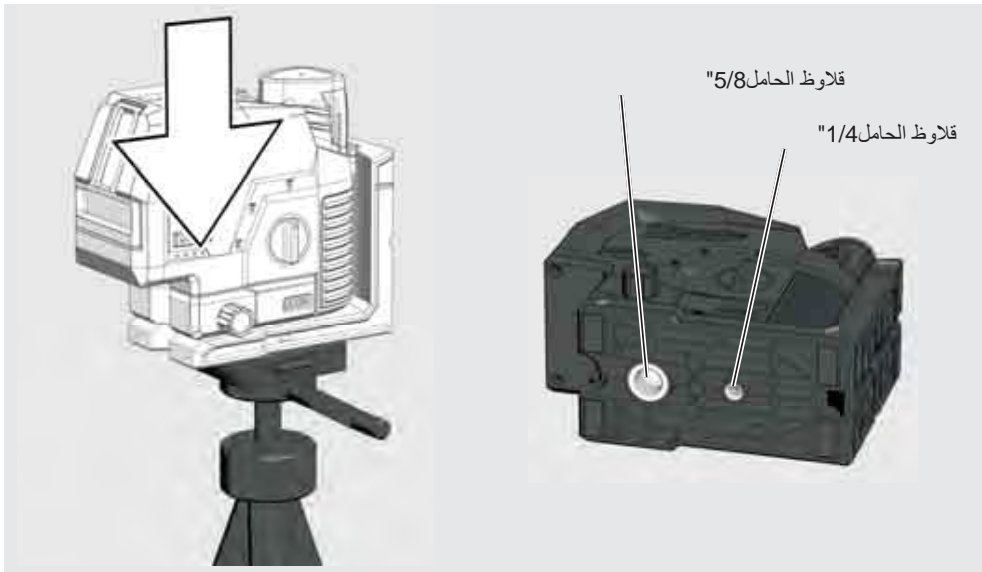
استخدم حامل ثلاثي الأرجل لتثبيت الليزر على حامل ثلاثي الأرجل.

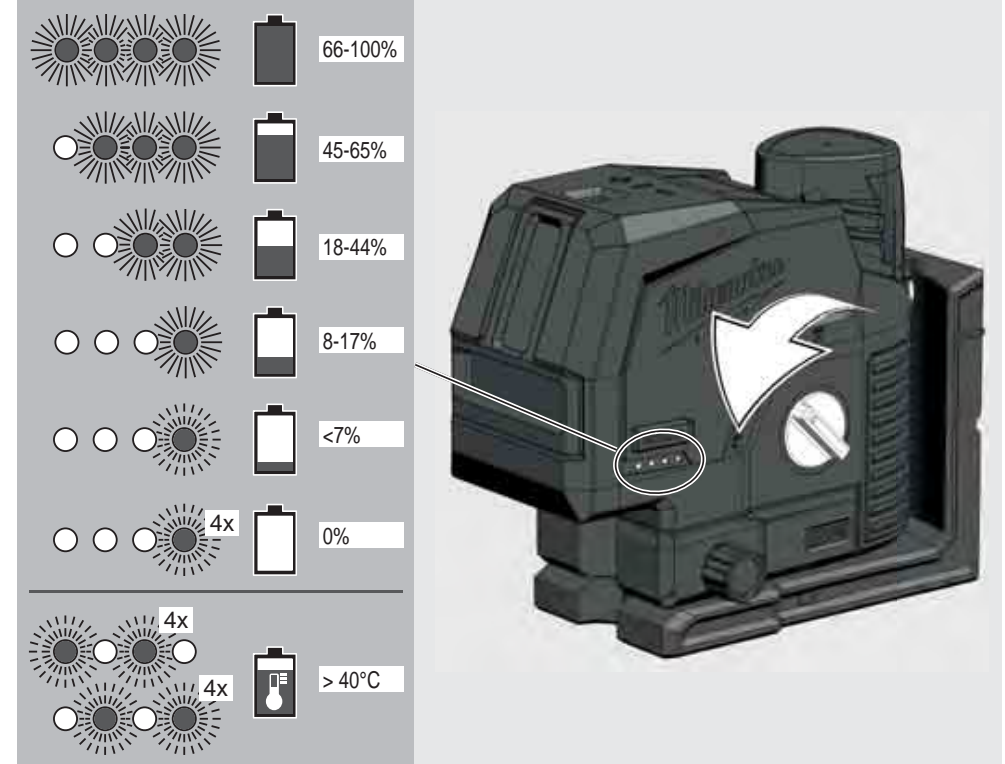
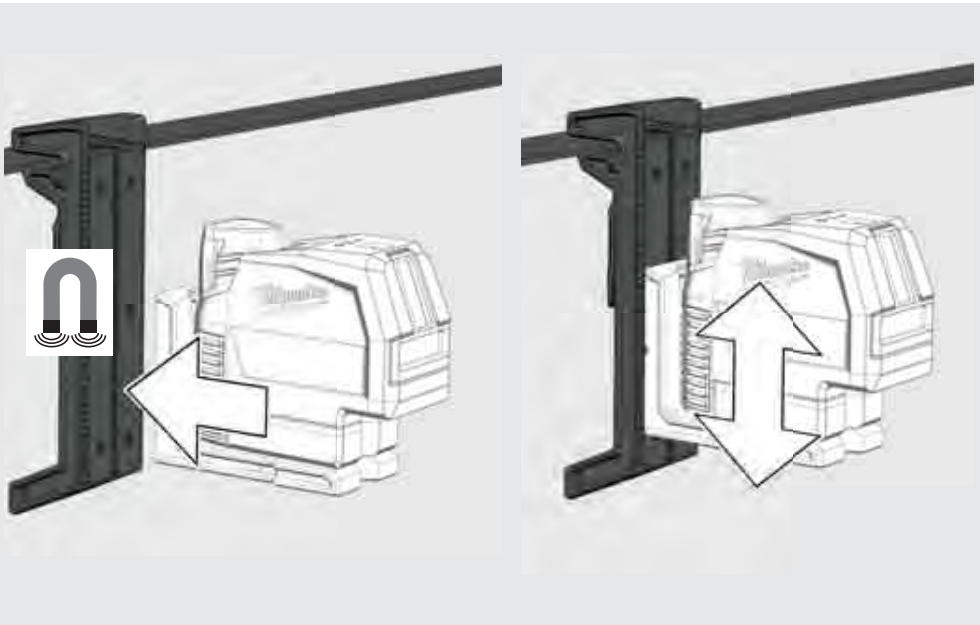
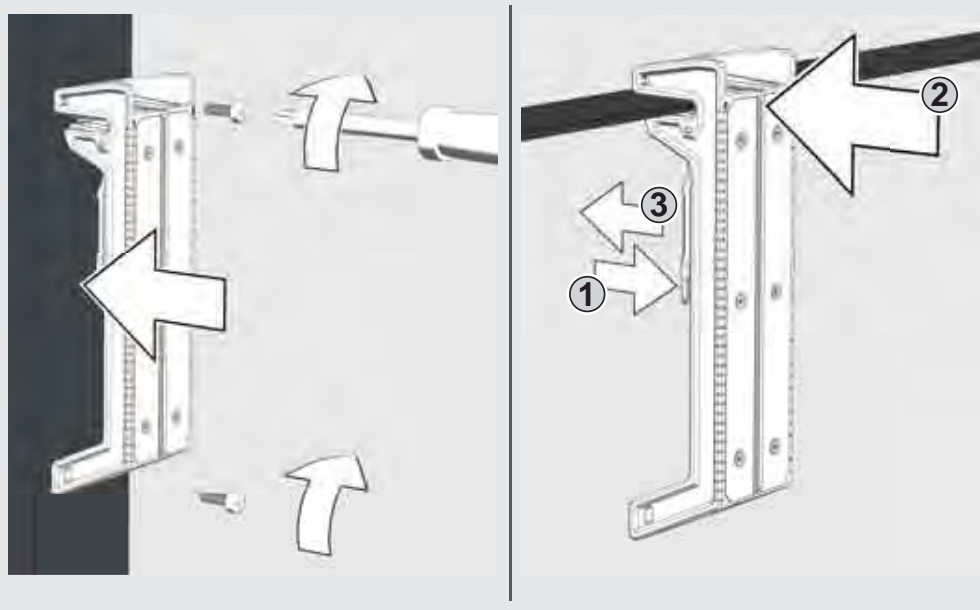


تحويل الليزر 360°.



استخدم مقبض الضبط للضبط الدقيق المحوري 20°





مؤشر انخفاض البطارية

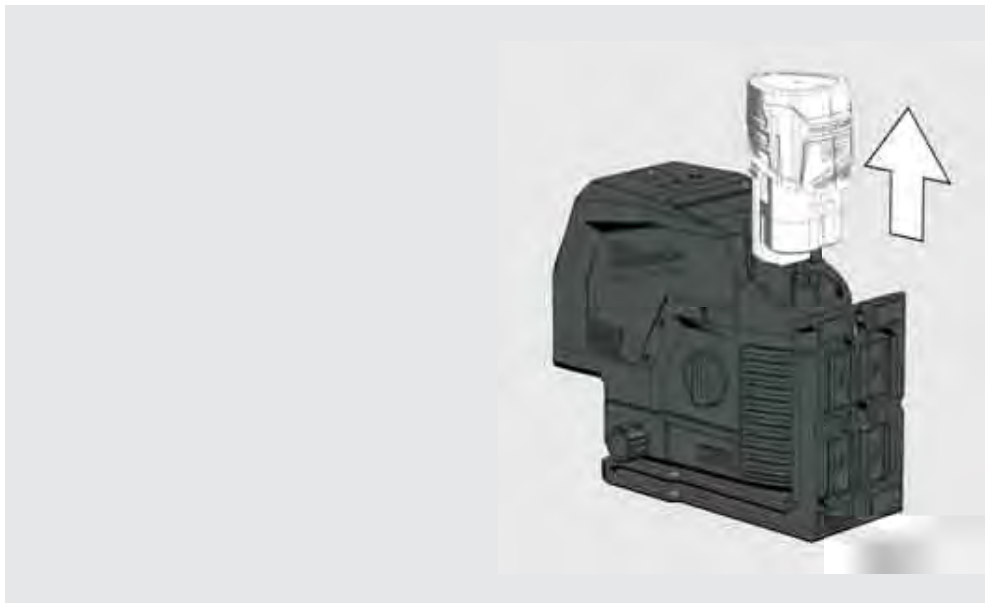
عندما يكون الجهد منخفضًا ، يتحول الليزر إلى وضع توفير الطاقة. يومض الليزر في وضع التسوية الذاتية

4 ثانية. 1 ثانية.

يومض الليزر في الوضع اليدوي

8 ثانية. 1 ثانية.

من الآن فصاعدًا لا يزال من الممكن مواصلة العمل. عندما ينخفض الجهد ، يومض الليزر ومصباح LED 4 مرات ويتم إيقاف تشغيله تلقائيًا.



طرفية LM360



كاشف LLD50



حامل ثلاثي TRP180





تنظف العدسة والعلبة الخارجية لجهاز الليزر بفضة ناعمة نظيفة. لا تستخدم مواد مذيبة.

أيضاً وإن كان جهاز الليزر مقاوم حتى درجة معينة للأتربة والتلوث، فلا ينبغي حفظه لفترة طويلة في مكان به أتربة، خلافاً لذلك قد تصاب الأجزاء الداخلية المتحركة بأضرار.

إذا حدث بلل لجهاز الليزر، فيجب تجفيفه قبل وضعه في حقيبة الحمل، لكي لا ينشأ به أضرار صداً.

البيانات الفنية

2	فئة الليزر
± 4°	مجال التعديل الذاتي للمستوى
3 ثانية	فترة التعديل الذاتي للمستوى
Li-Ion	طراز البطارية
=== 12V	الجهد
*IP54	نوع الحماية (ضد رزاز الماء والأتربة)
m 2000	الحد الأقصى للارتفاع
80%	الحد الأقصى للرطوبة النسبية
**2	درجة الاتساخ وفق المعيار IEC 61010-1
μs 80 ≥	مدة النبض م
خط أفقي، خط رأسي، خطوط تقاطع، خاصية التعامد (نقطتان)	الوظائف
كيلو هرتز	التردد 10
2 خط أخضر، 2 نقطة خضراء	العرض
2	كمية الصمام الثنائي
mW 30	نوع الصمام الثنائي
أفقي واحد، رأسي نقطتين رأسيين أعلى ولأسفل، خط نقطتين رأسيين متقاطعان (لأعلى ولأسفل).	نموذج إصدار خطوط الليزر
15 ساعات مع بطارية M12 3.0 Ah	زمن التشغيل
1/4 بوصة	قلاوظ الحامل
Milwaukee LLD50	الكاشف المناسب
خط الليزر	خط الليزر
العرض	9,53mm @ 30m >
طول الموجات	nm 530 - 510
الطاقة القصوى	mW 7 ≥
الدقة	mm3+/- / 10m
زاوية الفتح	114° < / 120 <
اللون	أخضر
مسافة الوصول	38 م (بالكاشف 50 م)

نقطة التعامد

510 - 530 nm نيوتن متر مستوى الليزر II

< 1 ميغا واط

mm3+/- / 10m

أخضر

30 م

طول موجات نقطة الليزر

أقصى قدرة لنقطة الليزر

دقة التعامد

لون نقطة الليزر

مجال الوصول

-10 درجة مئوية حتى +40 درجة مئوية

-20 درجة مئوية حتى +50 درجة مئوية

...M12 B

طراز البطارية المنصوح به

المقاسات

mm x 82 mm x 148 mm 170

الوزن (بما فيها البطاريات)

g 1205

* تم استبعاد البطارية المصنوعة من أيونات الليثيوم وعلبة البطارية من IP54.

** لا يظهر إلا الاتساخ غير الموصل، على الرغم من توقع القدرة المؤقتة على التوصيل أحياناً بسبب التكاثر.

الاستخدام تبعاً للتعليمات

نم دكأتلا بجي، جراخل ا يف مادختسال دن ع. ققل غملا نكاملأ ا يف مادختسال ل ج ا نم ساسأل ا يف ممصم جتنملا " عم قطي حمل فورظلا قباطت " ققل غملا نكاملأ ا يف يتلا كفلت

إن جهاز الليزر المبتكر هذا مصمم من أجل مجال واسع من الاستخدامات المتخصصة، مثل:

- التبليلط بالبلاط والواح الرخام والخزانات والحواف وأجزاء الأشكال والزركشة

- تحديد الخطوط الأساسية لتركيب الأبواب والنوافذ والقضبان ودرجات السلم والأسوار والبوابات والشرفات والبرغولات.

- لتحديد واختبار الخطوط الأفقية والرأسية.

- تعديل مستوى الأسقف المعلقة وخطوط المواسير وتقسيمات النوافذ واتجاه المواسير، تعديل مستوى الحوائط المشتملة على التركيبات الكهربائية.

لا يجوز استخدام هذا المنتج إلا تبعاً للتعليمات المذكورة فقط.

سر هفلا	1
قماه ؤينم تاميل عت	1
ةن ايلصل	2
ةينفلا تان ايل	2
تاميل عت لل اعبت مادختس ال	2
قماع قرظن	3
تادعم	4
ةيراطبل ارييغت	4
ةيراطبل ارييغت	5
ةيراطبل ارييغت	5
فقسلا دعاصت	5
رض خال فدل ا رادجل او طئ ا حل ا ؤحول	6
يوتس ملل يتاذل ا لي دعتل ا ؤضو يف لم حل ا	7
يودي ل ا ؤضو ل ا يف لم حل ا	8
دماع تل ا ؤيصاخ	9
فشك	9
ققدل ا ص ح ف	10

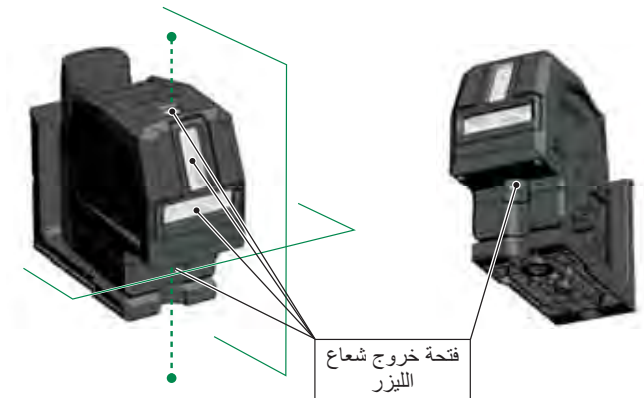
تعليمات أمنية هامة



تنبيه! تحذير! خطر!

لا تستخدم المنتج قبل قراءة تعليمات السلامة ودليل المستخدم على.

تصنيف الليزر



تحذير:

يندرج الليزر المستخدم تحت الفئة 2 وفقاً للمواصفة EN60825-1:2014.



تحذير:

لا تعرض العيون مباشرة لشعاع الليزر. شعاع الليزر يمكن أن يتسبب في أضرار حادة بالعيون و/أو يؤدي إلى العمى.

لا تنتظر مباشرة في شعاع الليزر ولا توجه الشعاع بلا داع على أشخاص آخرين.

احترس! في بعض الاستخدامات قد يتواجد الجهاز المشع لليزر خلفك. في هذه الحالة قم بالاستدارة بحذر.

تحذير:

لا تقم بتشغيل الليزر حول الأطفال أو تسمح لهم بتشغيله.

قد يعكس السطح العاكس الأشعة إلى مشغل الجهاز أو أشخاص آخرين.

تحذير: إن استخدام أجهزة تحكم أو إجراء عمليات ضبط أو تطبيق إجراءات غير المحددة في كتيب التعليمات قد ينتج عنه التعرض لإشعاعات خطيرة.

إذا تم نقل جهاز الليزر من وسط بارد جداً إلى وسط دافئ (أو العكس)، فيجب أن يصل الجهاز إلى درجة حرارة الوسط قبل الاستعمال.

يحظر حفظ الليزر في الخلاء ويجب حمايته من الصدمات والاهتزازات الدائمة ودرجات الحرارة المرتفعة أو المنخفضة جداً.

احتفظ بالجهاز بعيداً عن الغبار والسوائل والرطوبة المرتفعة. إذ قد يؤدي ذلك إلى تلف الأجزاء الداخلية أو يؤثر في دقة الجهاز.

إذا وقع شعاع الليزر على العين، أغلق العيون وقم بإدارة الرأس على الفور بعيداً عن الشعاع.

أحرص على أن يتم وضع الليزر بحيث لا يحدث الشعاع اضطراب في الرؤية لديك أو لدى أشخاص آخرين.

لا تنتظر في شعاع الليزر باستخدام أجهزة تكبير بصرية مثل المناظير المكبرة أو التلسكوبات. خلافاً لذلك يزداد خطر إصابة العيون بأضرار حادة.

يجب مراعاة، أن الغرض من نظارات رؤية الليزر هو التعرف بشكل أفضل على خطوط الليزر، وليس حماية العيون من أشعة الليزر.

لا يجوز إزالة لوحات التحذير المصققة على جهاز الليزر أو تشويبهها.

لا تقوم بفك أجزاء جهاز الليزر. أشعة الليزر يمكن أن تؤدي إلى إصابات حادة في العيون.

تحقق قبل نقل جهاز الليزر، أن بندول التثبيت مُعشَق في مكانه.

ملحوظة: في حالة بندول التثبيت الغير مُعشَق في مكانه قد تحدث أضرار أثناء النقل في داخل الجهاز.

لا تستخدم مواد أو سوائل التنظيف القوية. استخدم فقط قطعة قماش نظيفة وناعمة لتنظيف الجهاز.

احفظ جهاز الليزر من الصدمات الشديدة والسقوط. بعد السقوط أو التأثيرات الميكانيكية الشديدة يجب فحص دقة الجهاز قبل الاستعمال.

أي إصلاحات بجهاز الليزر يجب ألا يقوم بها سوى موظفي الخدمة المعتمدين.

لا تقم بتشغيل الجهاز في مناطق معرضة لحدوث انفجارات أو في ظروف التشغيل الصعبة.

عند عدم استخدام الجهاز لفترة طويلة يجب نزع البطاريات من علبة البطاريات. على هذا النحو يمكن تجنب سيلان سوائل من البطاريات وتجنب أضرار الصدا المصاحبة لها.

يجب عدم التخلص من البطاريات الفارغة مع المخلفات المنزلية. وحرصاً على سلامة البيئة يجب نقل هذه البطاريات إلى

نقاط التجميع المشار إليها وفقاً للوائح الوطنية أو المحلية. يجب عدم التخلص من الجهاز مع المخلفات المنزلية. تخلص من

الجهاز بطريقة ملائمة وفقاً للوائح الوطنية المعمول بها في بلدك. يجب الالتزام بالوائح الوطنية والخاصة المعمول بها في

البلد. يرجى الاتصال بالسلطات المحلية أو الوكيل لمعرفة الطريقة الملائمة للتخلص من البطاريات.

علامة التوافق الأوروبية CE

Copyright 2020
Techtronic Industries GmbH
Max-Eyth-Straße 10
71364 Winnenden
Germany
+49 (0) 7195-12-0
www.milwaukeeetool.eu



(09.20)
4931 4704 50