

Instruction manual
Инструкция по эксплуатации

Electric kettle BR1003
Электрический чайник BR1003



СОДЕРЖАНИЕ

EN.....	3
DE.....	11
RU.....	21
KZ.....	30
BY.....	39

ELECTRIC KETTLE BR1003

The liquid heating appliance (kettle) is intended for heating and boiling drinking water only.

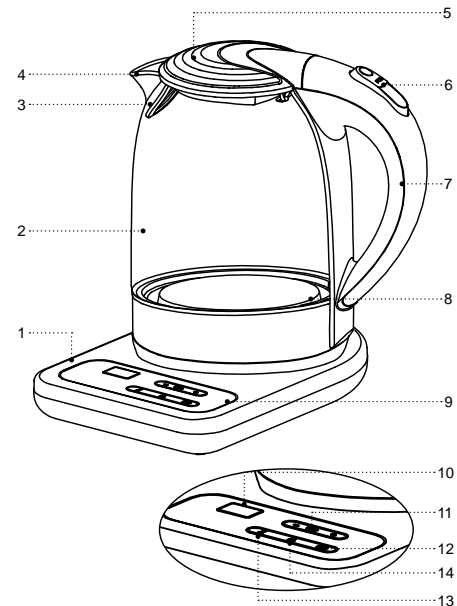
1. Base
2. Flask
3. Mesh filter
4. Spout
5. Lid
6. Lid opening button
7. Handle
8. Flask illumination
9. Control panel

Control panel

10. Display
11. Temperature set buttons «-/+»
12. On/Off button « ⏻ »
13. Keep warm mode button « ☺ »
14. Long water boiling (dechlorination) mode button « ⊙ »

ATTENTION!

For additional protection it is reasonable to install a residual current device (RCD) with nominal operation current not exceeding 30 mA into the mains. To install RCD, contact a specialist.



SAFETY MEASURES AND OPERATION RECOMMENDATIONS

Read the operation instructions carefully before using the unit, after reading keep it for future reference.

- Use the electric kettle for its intended purpose only, as it is stated in this manual.
- Mishandling the kettle can lead to its breakage and cause harm to the user or damage to his/her property and it is not covered by warranty.
- The kettle is intended for heating and boiling drinking water only, do not heat or boil any other liquids.
- Make sure that operating voltage of the electric kettle indicated on the label corresponds to your home mains voltage.
- The kettle should be always grounded. In case of short circuit, grounding reduces the risk of electric shock.
- The power cord is equipped with a «europlug»; plug it only into the mains socket with
- reliable grounding contact.
- Contact an electrical technician, if you are not sure that your sockets are installed properly and grounded.
- To prevent fire do not use adapters designed for connecting the plug to the mains socket without grounding contact.
- In case of sparking and occurrence of smell of burning, unplug the unit and apply to the organization maintaining your home mains.
- If smoke appears from the flask or the body of the kettle, unplug the unit, do not open the kettle lid, take measures to prevent fire spreading.
- Do not use the electric kettle outdoors.
- It is recommended not to use the unit during lightning storms.
- Do not place any foreign objects on the kettle.
- Protect the unit from blows, drops, vibrations and other mechanical stress.
- Never leave the plugged-in electric kettle unattended.
- Do not use the electric kettle in proximity to kitchen sink, in bathrooms, near swimming pools or other containers filled with water.
- Do not use the electric kettle near heating appliances, heat sources or open flame.
- Do not use the electric kettle in places where aerosols are used or sprayed, and in proximity to inflammable liquids.
- Place the electric kettle on a flat stable surface; do not place it on the edge of a table. Do not let the power cord hang from the table and make sure it does not touch hot surfaces and sharp edges of furniture.
- Do not direct the kettle spout at wooden furniture, books and objects which can be damaged by moisture or hot steam.
- Do not touch the power cord and power plug with wet hands.

- Do not switch the kettle on without water, after the kettle is filled, close the lid tightly.
- Ensure that water level in the kettle is not above the maximal mark «MAX», which is situated inside the kettle flask. If the water level exceeds the maximal mark, boiling water can splash out of the kettle during boiling.
- To avoid burns by hot steam, do not bend over the kettle spout.
- Do not open the kettle lid while water boiling.
- The surface of the kettle may have rather high temperature. Be cautious and careful when in contact with heated surfaces of the kettle. Take the kettle by the handle.
- Be careful while carrying the kettle filled with boiling water. Be careful when you pour water out of the kettle, do not tilt the kettle sharply, in case of careless use of the kettle, you can get burns by hot water.
- Unplug the kettle before cleaning or when you are not using it. When unplugging the unit hold only the power plug and carefully remove it from the mains socket, do not pull the cord — this can lead to damage of the cord or the socket and cause short circuit.
- To avoid electric shock do not immerse the electric kettle into water or any other liquids.
- Do not wash the electric kettle in a dishwashing machine.
- For children safety reasons do not leave polyethylene bags, used as a packaging, unattended.

ATTENTION!

Do not allow children to play with polyethylene bags or packaging film. **Danger of suffocation!**

- The electric kettle is not intended for usage by children.
- Do not leave children unattended to prevent using the unit as a toy.
- Do not allow children to touch the unit and the power cord during the electric kettle operation.
- Place the unit out of reach of children during the operation and cooling down.
- This unit is not intended for usage by physically or mentally disabled persons (including children) or by persons lacking experience or knowledge if they are not under supervision of a person who is responsible for their safety or if they are not instructed by this person on the usage of the unit.
- Periodically check the integrity of the power cord, the power plug and the kettle body.
- If the power cord is damaged, it should be replaced by the manufacturer, a maintenance service or similar qualified personnel to avoid danger.
- Do not repair the unit by yourself. Do not disassemble the unit by yourself, if any malfunction is detected, and after it was dropped, unplug the unit and apply to the service center.

- Transport the kettle in the original package.
- Keep the unit out of reach of children and disabled persons.

ELECTRIC KETTLE IS INTENDED FOR HOUSEHOLD USE ONLY, DO NOT USE THE KETTLE FOR ROOM HEATING, FOR INDUSTRIAL OR LABORATORY PURPOSES

BEFORE USING THE KETTLE

After unit transportation or storage at low temperature, it is necessary to keep it for at least three hours at room temperature.

- Unpack the kettle and remove all the packaging materials.
- Keep the original package.
- Check the delivery set.
- Read the safety measures and operating recommendations.
- Examine the kettle for damages, in case of damage do not plug it into the mains.
- Make sure that the specifications of power supply voltage specified on the lower panel of the unit or the base correspond to the specifications of your mains. When using the kettle in the mains with 60 Hz frequency, the unit does not need any additional settings.
- Wipe the base (1), the outer and inner surfaces of the flask (2) with a clean, slightly damp cloth to remove dust.

ATTENTION!

Be careful while handling the kettle, glass flask (2) can break when the kettle is dropped or hit against a solid object.

Notes:

- the operation mode buttons on the control panel (9) are sensory, you just need to touch the button to switch the necessary operation mode on.
- each touching of buttons is accompanied by a sound signal.
- Place the base (1) on a solid steady flat and non-slip non-metal surface away from heat sources as far as possible from the edge of the surface.
- Do not place and do not use the kettle in closed space, for example, in the cupboard or in closed structures — this can lead to its breakage, cause harm to the user or damage to his/her property.
- Wash the flask (2) with neutral detergents, rinse and dry. Wipe the outer surface of the flask (2) with a slightly damp cloth and then wipe it dry. Do not use abrasives and coarse scourers for this.
- Before connecting the kettle, make sure that there are no moisture drops on the base (1), the flask (2), the power cord and the power plug.
- Remove the kettle from the base (1).
- To fill the kettle with water press the lid opening button (6) and open the lid (5).

- Fill the kettle with water up to the «MAX» mark, according to the scale situated on the outer surface of the flask (2).
- Close the lid, make sure that the kettle lid is closed tightly.
- Place the kettle on the base (1).
- Insert the power plug into the mains socket, you will hear a sound signal and the water temperature in the kettle flask (2) will appear on the display (10).
- Press the On/Off button (12) « ⏻ ». The kettle will switch on, you will hear a sound signal and the illumination (8) of the flask (2) will light up. As water is heated, the digital water temperature symbols in the flask (2) will be shown on the display (10), the On/Off button (12) « ⏻ » illumination will be flashing, after water starts boiling you will hear sound signals, the kettle will switch off automatically, the flask illumination (8) will go out, the On/Off button (12) « ⏻ » illumination will go out.
- Remove the kettle from the base and carefully pour out boiled water into a suitable bowl.
- Remember that there is boiling water inside the kettle flask (2), always hold the kettle only by the handle (7), do not tilt the kettle sharply, in case of careless use of the kettle, you can get burns by hot water.
- Repeat the water boiling procedure several times.

ATTENTION!

To avoid burns by hot steam, do not bend over the spout (4).

- Hot water resulting from the first boilings is not recommended to consume, you may use it for domestic needs.

USING THE ELECTRIC KETTLE

- Place the base (1) on a solid steady flat and non-slip non-metal surface away from heat sources as far as possible from the edge of the surface.

WATER BOILING

- Remove the kettle from the base (1).
- To fill the kettle with water press the lid opening button (6) and open the lid (5).
- Fill the kettle with water up to the «MAX» mark, according to the scale situated on the outer surface of the flask (2).
- Close the lid, make sure that the kettle lid is closed tightly.
- Place the kettle on the base (1).
- Insert the power plug into the mains socket, you will hear a sound signal and the water temperature in the kettle flask (2) will appear on the display (10).
- Press the On/Off button (12) « ⏻ ». The kettle will switch on, you will hear a sound signal and the illumination (8) of the flask (2) will light up. As water is heated, the digital water temperature symbols in the flask (2) will be shown on the display (10), the On/Off button (12) « ⏻ » illumination will be flashing,

after water starts boiling you will hear sound signals, the kettle will switch off automatically, the flask illumination (8) will go out.

- If it is necessary to switch the kettle off, press the On/Off button (12) « ⏻ ».
- Long water boiling (dechlorination) mode
- Set the kettle filled with water on the base (1).
- Press the On/Off button (12) « ⏻ », the kettle will switch on, then press the long water boiling button (14) « ⏻ », the button (14) « ⏻ » illumination will light up, water will be boiling for 3 minutes, after that you will hear sound signals and the kettle will switch off automatically.
- If it is necessary to switch the kettle off, press the On/Off button (12) « ⏻ ».

HEATING THE WATER UP TO PRESET TEMPERATURE

- You can warm up water up to the required temperature. For making different tea varieties the special water temperature is required.
- It is recommended to use the water temperature 40-60 °C for baby food, 70 °C for white tea, 80 °C for green tea, 90-100 °C for black tea.
- **Note:** — heating to a preset temperature function is active only if the kettle filled with water is placed on the base (1), if you remove the kettle from the base (1), the settings of water heating will be reset; place the kettle on the base (1), set the water heating

temperature again and switch the kettle on.

- Press the On/Off button (11) «-/+», you will hear a sound signal, the flask illumination (2) will light up, the water temperature in the flask (2) will be shown on the display (10), the button (12) « ⏻ » illumination will be flashing.
- Press one of the buttons (11) «-/+» to set a preset temperature of water heating 40-50-60-70-80-90 °C, the flashing preset temperature digital symbols will be shown on the display (10), in three seconds the water temperature in the flask (2) will be shown on the display (10).
- The water temperature in the flask (2) will be shown on the display (10), when water is heated up to preset temperature, the kettle will switch off, the flask illumination (2) will go out, and the On/Off button (12) « ⏻ » illumination will be glowing constantly.
- If it is necessary to switch the water heating function off, press the On/Off button (12) « ⏻ ».

KEEP WARM FUNCTION

Notes:

- the function maintains the preset water temperature within 2 hours without reboiling. At the end of this time keep warm mode switches off automatically.
- keep warm function is active only if the kettle filled with water is placed on the base (1), if you remove

the kettle from the base (1), the keep warm settings will be reset; place the kettle on the base (1), set the water heating temperature again and switch the kettle on.

- Press the On/Off button (11) «-/+», you will hear a sound signal, the flask illumination (2) will light up, the water temperature in the flask (2) will be shown on the display (10), the button (12) « ⏻ » illumination will be flashing.
- Press one of the buttons (11) «-/+» to set a preset temperature of water warm keeping 40-50-60-70-80-90 °C, the flashing preset temperature digital symbols will be shown on the display (10), in three seconds the water temperature in the flask (2) will be shown on the display (10).
- Press the keep warm mode button (13) « ⏻ », the button (13) « ⏻ » illumination will light up, you will hear a sound signal, when the preset temperature level is reached, the On/Off button (12) « ⏻ » illumination will be flashing.
- If it is necessary to switch the keep warm function off, press the On/Off button (12) « ⏻ ».

KETTLE AUTO SWITCH OFF FUNCTION

- If you accidentally switch the kettle on, but the water level appeared to be below the minimal «MIN» mark, the automatic thermal switch will be on and the kettle will switch off. In this case take the kettle from the base (1) and let it cool down for 10-15 minutes, then

fill the kettle with water and switch it on, the electric kettle will operate in normal mode.

CLEANING AND MAINTENANCE

- Before cleaning disconnect the kettle from the mains, pour out water and let the kettle cool down.
- Wipe the base (1) and the outer surface of the flask (2) with a slightly damp cloth, and then wipe the base (1) and the flask (2) dry. Use soft detergents to remove dirt; do not use metal sponges and abrasive detergents and solvents.
- Regularly clean mesh filter (3) from scale with a soft brush.
- Do not immerse the electric kettle into water or any other liquids, do not wash it in the dishwasher.
- Descaling
- Scale, appearing inside the flask (1), influences the water taste and disturbs the heat exchange between water and the heating element.
- To remove scale, you can use special scale-removing agents, as well as household ones, for example, vinegar or citric acid.
- To remove scale, fill the flask (1) with water one-third full and boil it. Open the lid and add table vinegar (6-9%) to the «MAX» mark, leave the liquid in the kettle for several hours. After the scale dissolves, pour out the liquid and rinse the flask (1) several times. To oust the smell of vinegar, boil water several times.

- Dissolve 25 g of citric acid in 500 ml of hot water.
- Fill the kettle with the prepared solution and leave for 15 minutes.
- Pour out the liquid and rinse the flask (1) several times, boil water several times.
- You can use special detergents for electric kettles or coffee machines to remove scale, strictly following the instructions on their usage which should be placed on the packing of the detergent or in supplemental materials provided by the seller.
- Clean the kettle from scale regularly.

STORAGE

- Before taking the kettle away for long storage, unplug it, pour out water and let the unit cool down.
- Clean the base (1) and the flask (2).
- Keep the kettle in a dry cool place out of reach of children and disabled persons.

DELIVERY SET

1. Electric kettle — 1 pc.
2. Base — 1 pc.
3. Manual — 1 pc.

TECHNICAL SPECIFICATIONS

- Supply voltage: 220-240 V, ~ 50/60 Hz
- Rated input power: 1850-2200 W
- Maximum water capacity: 1.7 l

RECYCLING



For environment protection apply to the specialized centers for recycling after the service life expiration of the unit.

The waste generated during the disposal of the unit is subject to mandatory collection and consequent disposal in the prescribed manner.

For further information about recycling of this product apply to a local municipal administration, a disposal service or to the shop where you purchased this product.

The manufacturer reserves the right to change the design, structure and specifications not affecting general principles of the unit operation.

The unit operating life is 3 years

WASSERKOCHER BR1003

Das elektrische Gerät zum Erhitzen von Flüssigkeit (Wasserkocher) ist nur zum Erhitzen und Kochen von Trinkwasser bestimmt.

BESCHREIBUNG

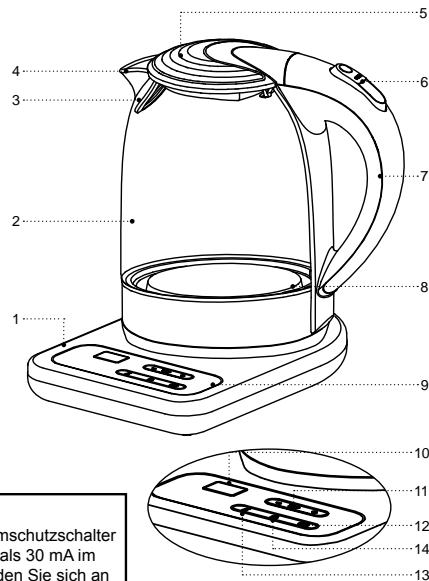
1. Untersatz
2. Wasserbehälter
3. Filtersiebe
4. Tülle
5. Deckel
6. Taste der Deckelöffnung
7. Griff
8. Beleuchtung des Wasserbehälters
9. Bedienungsplatte

Bedienungsplatte

10. Display
11. Temperatúrauswahltasten «-/+»
12. Ein-/Ausschalttaste « ⏻ »
13. Ein-/Ausschalttaste der Temperaturhaltung « ⏻ »
14. Ein-/Ausschalttaste fürs langes Kochen (Entchlorung) von Wasser « ⏻ »

ACHTUNG!

Für zusätzlichen Schutz wird empfohlen, einen Fehlerstromschutzschalter (FSS) mit einer Ansprechennennstromstärke von nicht mehr als 30 mA im Stromkreis aufzustellen. Um einen FSS aufzustellen, wenden Sie sich an einen Spezialisten.



SICHERHEITSHINWEISE UND GEBRAUCHSANLEITUNG

Bevor Sie Ihr Gerät benutzen, lesen Sie zuerst die Gebrauchsanleitung aufmerksam durch, bewahren Sie sie zum späteren Gebrauch.

- Verwenden Sie den Wasserkocher nur bestimmungsgemäß, wie es in dieser Gebrauchsanleitung beschrieben ist.
- Nicht ordnungsgemäße Nutzung des Wasserkochers kann zu seiner Störung führen, einen gesundheitlichen oder materiellen Schaden beim Nutzer hervorrufen, und ist kein Garantiefall.
- Benutzen Sie den Wasserkocher nur fürs Wasserkochen, es ist nicht gestattet, andere Flüssigkeiten darin aufzuwärmen oder aufzukochen.
- Vergewissern Sie sich, dass die auf dem Bezeichnungszettel angegebene Betriebsspannung und die Netzspannung übereinstimmen.
- Der Wasserkocher muss unbedingt geerdet werden. Im Falle eines Kurzschlusses reduziert die Erdung das Risiko eines elektrischen Schlages.
- Das Netzkabel ist mit einem «Eurostecker» ausgestattet; stecken Sie ihn nur in eine Steckdose, die einen zuverlässigen Erdungskontakt hat.
- Wenden Sie sich an einen Elektriker, wenn Sie sich nicht sicher sind, ob Ihre Steckdosen richtig installiert und geerdet sind.
- Verwenden Sie keine «Übergangsstücke», die zum Anschließen des Netzsteckers an eine Steckdose ohne Erdkontakt bestimmt sind, um Feuer zu vermeiden.
- Bei Funkenbildung und Brandgeruch, ziehen Sie das Netzstecker aus der Steckdose, und wenden Sie sich an den Dienst, der Ihr Hausleitungsnetz bedient.
- Wenn Rauch aus dem Wasserbehälter oder aus dem Gehäuse des Wasserkochers auftritt, ziehen Sie den Netzstecker aus der Steckdose, öffnen Sie den Deckel des Wasserkochers nicht, treffen Sie Maßnahmen, um das Feuer nicht zu verbreiten.
- Es ist nicht gestattet, den Wasserkocher draußen zu benutzen.
- Es ist nicht empfohlen, das Gerät bei Gewitter zu benutzen.
- Stellen Sie keine Fremdgegenstände auf den Wasserkocher.
- Schützen Sie das Gerät vor Stößen, Stürzen, Vibrationen und anderen mechanischen Einwirkungen.
- Lassen Sie den ans Stromnetz angeschlossenen Wasserkocher nie unbeaufsichtigt.
- Benutzen Sie den Wasserkocher in der Nähe von Spülbecken, in Badezimmern und neben den Wasserbecken oder anderen mit Wasser gefüllten Behältern nicht.
- Benutzen Sie den Wasserkocher in direkter Nähe von Heizgeräten, Wärmequellen oder offenem Feuer nicht.

- Es ist verboten, den Wasserkocher an den Orten, wo Sprays verwendet werden, sowie in der Nähe von leichtentzündbaren Flüssigkeiten, zu verwenden.
- Stellen Sie den Wasserkocher auf eine ebene standfeste Oberfläche auf, stellen Sie ihn an den Tischrand nicht auf. Achten Sie darauf, dass das Netzkabel vom Tisch nicht herabhängt und heiße Oberflächen und scharfe Möbelkanten nicht berührt.
- Es ist nicht gestattet, die Tülle des Wasserkochers auf Holzmöbel, Bücher und Gegenstände zu richten, die durch Feuchtigkeit oder heißen Dampf beschädigt werden können.
- Berühren Sie das Netzkabel und den Stecker mit nassen Händen nicht.
- Schalten Sie den Wasserkocher ohne Wasser nicht ein, nachdem der Wasserkocher gefüllt ist, klappen Sie den Deckel fest.
- Achten Sie darauf, dass der Wasserstand im Wasserkocher nicht höher als die maximale Markierung «MAX» ist, die innerhalb des Wasserbehälters angebracht ist. Falls der Wasserstand über der maximalen Marke ist, kann sich das kochende Wasser aus dem Wasserkocher während des Kochens ausgießen.
- Beugen Sie sich über der Tülle während des Wasserkocherbetriebs nicht, um Dampfverbrühung zu vermeiden.
- Öffnen Sie den Deckel des Wasserkochers während des Wasserkochens nicht.
- Die Oberfläche des Wasserkochers kann eine ziemlich hohe Temperatur haben. Beim Kontakt mit heißen Oberflächen des Wasserkochers sollen Sie vorsichtig und sorgfältig sein. Fassen Sie den Wasserkocher am Griff an.
- Seien Sie beim Tragen des mit siedendem Wasser gefüllten Wasserkochers vorsichtig. Gießen Sie das Wasser aus dem Wasserkocher vorsichtig, kippen Sie den Wasserkocher nicht scharf. Wenn Sie den Wasserkocher nachlässig verwenden, können Sie eine Verbrühung mit heißem Wasser bekommen.
- Trennen Sie den Wasserkocher vor der Reinigung oder wenn Sie ihn nicht benutzen vom Stromnetz ab. Wenn Sie das Gerät vom Stromnetz abtrennen, halten Sie den Netzstecker fest und ziehen Sie ihn aus der Steckdose vorsichtig heraus; ziehen Sie das Netzkabel nicht, da es zu seiner Beschädigung und einem Kurzschluss führen kann.
- Tauchen Sie den Wasserkocher ins Wasser oder andere Flüssigkeiten nicht, um das Stromschlagrisiko zu vermeiden.
- Es ist nicht gestattet den Wasserkocher in der Spülmaschine zu waschen.
- Aus Kindersicherheitsgründen lassen Sie Plastiktüten, die als Verpackung verwendet werden, nie ohne Aufsicht.

ACHTUNG!

Lassen Sie Kinder mit Plastiktüten oder Verpackungsfolien nicht spielen. **Erstickungsgefahr!**

- Der Wasserkocher ist nicht für Gebrauch von Kindern geeignet.
- Beaufsichtigen Sie Kinder, damit sie das Gerät als Spielzeug nicht benutzen.
- Lassen Sie Kinder das Gerät und das Netzkabel während des Betriebs vom Wasserkocher nicht berühren.
- Während des Betriebs und des Abkühlens stellen Sie das Gerät an einen für Kinder unzugänglichen Ort auf.
- Dieses Gerät ist für Personen (darunter Kinder) mit Körper-, Nerven- und Geistesstörungen oder Personen ohne ausreichende Erfahrung und Kenntnisse nicht geeignet, wenn sie sich unter Aufsicht der Person, die für ihre Sicherheit verantwortlich ist, nicht befinden oder entsprechende Anweisungen über die Nutzung des Geräts nicht bekommen haben.
- Überprüfen Sie regelmäßig den Zustand des Netzkabels, des Netzanschlusses und des Gehäuses des Wasserkochers.
- Wenn das Netzkabel beschädigt ist, soll es vom Hersteller, vom Kundendienst oder von ähnlich qualifiziertem Personal ersetzt werden, um Gefahren zu vermeiden.

- Es ist nicht gestattet, das Gerät selbständig zu reparieren. Es ist nicht gestattet, das Gerät selbständig auseinanderzunehmen; bei der Feststellung jeglicher Beschädigungen, sowie im Sturzfall, trennen Sie das Gerät vom Stromnetz ab und wenden Sie sich an einen Kundendienst.
- Transportieren Sie den Wasserkocher nur in der Fabrikverpackung.
- Bewahren Sie das Gerät an einem für Kinder und behinderte Personen unzugänglichen Ort auf.

DER WASSERKOCHER IST DAZU BESTIMMT, IM HAUSHALT VERWENDET ZU WERDEN. ES IST VERBOTEN DEN WASSERKOCHER FÜR HEIZUNG DER RÄUME, IN INDUSTRIELLEN ODER LABORZWECKEN ZU VERWENDEN.

VORBEREITUNG DES WASSERKOCHERS ZUR INBETRIEBNAHME

Nachdem Sie das Gerät bei niedriger Temperatur transportiert oder gelagert haben, müssen Sie es mindestens drei Stunden bei Raumtemperatur aufbewahren.

- Packen Sie das Gerät aus und entfernen Sie alle Verpackungsmaterialien.
- Bewahren Sie die Originalverpackung auf.
- Überprüfen Sie den Lieferumfang.
- Lesen Sie die Sicherheitsmaßnahmen und Bedienungsempfehlungen.

- Überprüfen Sie den Wasserkocher auf Schäden, wenn Schäden vorhanden sind, schalten Sie ihn nicht in das Netzwerk ein.
- Stellen Sie sicher, dass die auf der Unterseite des Geräts oder auf dem Untersatz angegebenen Stromversorgungsparameter mit den Parametern des elektrischen Netzwerkes übereinstimmen. Bei Verwendung des Wasserkochers in einem elektrischen Netzwerk mit einer Frequenz von 60 Hz ist keine zusätzliche Einstellung erforderlich.
- Wischen Sie die Bodenplatte (1), die äußere und die innere Oberfläche des Wasserbehälters (2) mit einem sauberen, leicht angefeuchteten Tuch ab, um den Staub zu entfernen.




ACHTUNG!

Seien Sie vorsichtig beim Umgang mit dem Wasserkocher. Der Glaswasserbehälter (2) kann brechen, wenn der Wasserkocher herunterfällt oder auf einen harten Gegenstand schlägt.

Anmerkungen:

- die Betriebstasten auf der Bedienungsplatte (9) sind berührungsempfindlich. Um den gewünschten Betrieb zu aktivieren, berühren Sie einfach die Taste.
- bei jeder Berührung der Tasten erfolgt ein Tonsignal.

- Stellen Sie den Untersatz (1) auf eine feste, stabile, ebene, rutschfeste, nichtmetallische Oberfläche, weit entfernt von Wärmequellen, im maximalen Abstand vom Rand der Oberfläche.
- Stellen oder verwenden Sie den Wasserkocher nicht in einem geschlossenen Raum, z. B. in einem Schrank oder in geschlossenen Strukturen, dies kann zur Beschädigung oder Verletzung des Benutzers oder seines Eigentums führen.
- Waschen Sie den Wasserbehälter (2) mit einem neutralen Reinigungsmittel, spülen Sie ihn und trocknen Sie ihn ab. Wischen Sie die Oberfläche des Wasserbehälters (2) mit einem leicht angefeuchteten Tuch ab, dann trocknen Sie sie ab. Verwenden Sie keine ätzenden Reinigungsmittel und scheuernden Topfschwämme.
- Bevor Sie den Wasserkocher anschließen, überprüfen Sie, ob auf dem Untersatz (1), auf dem Wasserbehälter (2), auf dem Netzkabel, auf dem Netzstecker keine Feuchtigkeit vorhanden ist.
- Nehmen Sie den Wasserkocher vom Untersatz (1) ab.
- Um den Wasserkocher mit Wasser zu füllen, drücken Sie die Taste der Deckelöffnung (6) und öffnen Sie den Deckel (5).
- Füllen Sie den Wasserkocher mit Wasser bis zur Markierung «MAX» an der Skala an der Außenseite des Wasserbehälters (2).

- Schließen Sie den Deckel zu, stellen Sie sicher, dass der Deckel des Wasserkochers dicht geschlossen ist.
- Stellen Sie den Wasserkocher auf den Untersatz (1).
- Stecken Sie den Netzstecker in die Steckdose, hierbei ertönt ein Tonsignal, und die Wassertemperatur im Wasserbehälter (2) wird auf dem Display (10) angezeigt.
- Drücken Sie die Ein-/Ausschalttaste (12) «  ». Der Wasserkocher schaltet sich ein, dabei ertönt ein Tonsignal und leuchtet die Beleuchtung (8) des Wasserbehälters (2). Im Zuge der Wassererwärmung werden am Display (10) die digitalen Symbole der Wassertemperatur im Wasserbehälter (2) angezeigt, die Beleuchtung der Ein-/Ausschalttaste (12) «  » blinkt, nach dem Kochen des Wassers ertönen Tonsignale, der Wasserkocher wird automatisch ausgeschaltet, die Beleuchtung des Wasserbehälters (8) und der Ein-/Ausschalttaste (12) «  » erlischt.
- Nehmen Sie den Wasserkocher von der Bodenplatte ab und gießen Sie gekochtes Wasser vorsichtig in einen geeigneten Behälter.
- Denken Sie daran, dass im Wasserbehälter (2) des Wasserkochers kochendes Wasser ist, halten Sie den Wasserkocher immer nur am Griff (7), kippen Sie den Wasserkocher nicht scharf. Wenn Sie den Wasserkocher schlampig verwenden, können Sie eine Verbrühung mit heißem Wasser bekommen.
- Wiederholen Sie das Kochen mehrmals.

ACHTUNG!

Beugen Sie sich über der Tülle (4) während des Wasserkocherbetriebs nicht, um Dampfverbrühung zu vermeiden.


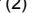
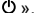
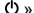


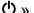
- Es wird nicht empfohlen, das durch das erste Kochen erhaltene heiße Wasser zu trinken, Sie können es im Haushalt verwenden.

VERWENDUNG DES WASSERKOCHERS

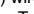
- Stellen Sie den Untersatz (1) auf eine feste, stabile, ebene, rutschfeste, nichtmetallische Oberfläche, weit entfernt von Wärmequellen, im maximalen Abstand vom Rand der Oberfläche.

WASSERKOCHEN

- Nehmen Sie den Wasserkocher vom Untersatz (1) ab.
- Um den Wasserkocher mit Wasser zu füllen, drücken Sie die Taste der Deckelöffnung (6) und öffnen Sie den Deckel (5).
- Füllen Sie den Wasserkocher mit Wasser bis zur Markierung «MAX» an der Skala an der Außenseite des Wasserbehälters (2).
- Schließen Sie den Deckel zu, stellen Sie sicher, dass der Deckel des Wasserkochers dicht geschlossen ist.
- Stellen Sie den Wasserkocher auf den Untersatz (1).

- Stecken Sie den Netzstecker in die Steckdose, dabei ertönt ein Tonsignal, die Wassertemperatur im Wasserbehälter (2) wird am Display (10) angezeigt.
- Drücken Sie die Ein-/Ausschalttaste (12) «  ». Der Wasserkocher schaltet sich ein, dabei ertönt ein Tonsignal und leuchtet die Beleuchtung (8) des Wasserbehälters (2). Im Zuge der Wassererwärmung werden auf dem Display (10) die digitalen Symbole der Wassertemperatur im Wasserbehälter (2) angezeigt, die Beleuchtung der Ein-/Ausschalttaste (12) «  » blinkt, nach dem Kochen des Wassers ertönen Tonsignale, der Wasserkocher wird automatisch ausgeschaltet, die Beleuchtung des Wasserbehälters (8) erlischt.
- Wenn Sie den Wasserkocher ausschalten müssen, drücken Sie die Ein-/Ausschalttaste (12) «  ».
- Langes Kochen (Entchlorung) von Wasser
- Stellen Sie den mit dem Wasser gefüllten Wasserkocher auf den Untersatz (1).
- Drücken Sie die Ein-/Ausschalttaste (12) «  », der Wasserkocher schaltet sich ein, drücken Sie dann die Taste für langes Kochen von Wasser (14) «  », dabei leuchtet die Beleuchtung der Taste (14) «  », das Wasserkochen verläuft innerhalb von 3 Minuten, danach ertönen Tonsignale und der Wasserkocher wird automatisch ausgeschaltet.
- Wenn Sie den Wasserkocher ausschalten müssen, drücken Sie die Ein-/Ausschalttaste (12) «  ».

WASSERERWÄRMUNG BIS ZU EINER VOREINGESTELLTEN TEMPERATUR

- Sie können das Wasser auf die gewünschte Temperatur erwärmen. Um verschiedene Teesorten aufzubrühen, ist eine bestimmte Wassertemperatur erforderlich.
- Es wird empfohlen, die Wassertemperatur von 40-60 °C — für Kindernahrung, 70 °C — für weißen Tee, 80 °C — für grünen Tee, 90-100 °C — für schwarzen Tee zu verwenden.
- Anmerkung: — die Wasserheizfunktion ist nur unter der Bedingung aktiv, dass der mit Wasser gefüllte Wasserkocher auf den Untersatz (1) aufgestellt ist, wenn Sie den Wasserkocher von der Bodenplatte (1) entfernt haben, werden die eingestellten Wasserheizparameter zurückgesetzt, stellen Sie den Wasserkocher auf den Untersatz (1) auf, stellen Sie die Temperatur für Wasserheizung wieder ein und schalten Sie den Wasserkocher ein.
- Drücken Sie die Ein-/Ausschalttaste (11) «-/+», dabei ertönt ein Tonsignal, leuchtet die Beleuchtung des Wasserbehälters (2), die Wassertemperatur im Wasserbehälter (2) wird am Display (10) dargestellt, die Beleuchtung der Taste (12) «  » blinkt.
- Drücken Sie eine der Tasten (11) «-/+», um die gewünschte Wasserheiztemperatur von 40-50-60-70-80-90 °C einzustellen, auf dem Display (10) werden die blinkenden digitalen Symbole der eingestellten Temperatur dargestellt, nach drei Sekunden

wird am Display (10) die Wassertemperatur im Wasserbehälter (2) angezeigt.

- Am Display (10) wird die Wassertemperatur im Wasserbehälter (2) angezeigt, wenn das Wasser auf die eingestellte Temperatur erhitzt wird, wird der Wasserkocher ausgeschaltet, die Beleuchtung des Wasserbehälters (2) erlischt und die Beleuchtung der Ein-/Ausschalttaste (12) « ⏻ » leuchtet ständig.
- Wenn Sie die Erwärmungsfunktion ausschalten müssen, drücken Sie die Ein-/Ausschalttaste (12) « ⏻ ».

FUNKTION DER ERHALTUNG DER EINGESTELLTEN TEMPERATUR

- Anmerkungen:
- - diese Funktion erhielt die gewünschte Wassertemperatur 2 Stunden lang, ohne erneut zu kochen. Nach Beendigung dieser Zeit wird die Temperaturerhaltung automatisch ausgeschaltet.
- - die Wassertemperaturerhaltung ist nur unter der Bedingung aktiv, dass der mit Wasser gefüllte Wasserkocher auf den Untersatz (1) aufgestellt ist, wenn Sie den Wasserkocher vom Untersatz (1) entfernt haben, werden die eingestellten Wassertemperaturerhaltungsparameter zurückgesetzt, stellen Sie den Wasserkocher auf den Untersatz (1) auf, stellen Sie die Temperatur für Wasserheizung wieder ein und schalten Sie den Wasserkocher ein.
- Drücken Sie die Ein-/Ausschalttaste (11) «-/+», dabei

ertönt ein Tonsignal, leuchtet die Beleuchtung des Wasserbehälters (2), die Wassertemperatur im Wasserbehälter (2) wird am Display (10) dargestellt, die Beleuchtung der Taste (12) « ⏻ » blinkt.

- Drücken Sie eine der Tasten (11) «-/+», um die gewünschte Wassertemperaturerhaltung von 40-50-60-70-80-90 °C einzustellen, am Display (10) werden die blinkenden digitalen Symbole der eingestellten Temperatur dargestellt, nach drei Sekunden wird am Display (10) die Wassertemperatur im Wasserbehälter (2) angezeigt.
- Drücken Sie die Taste der Temperaturerhaltung (13) « ⏻ », dabei leuchtet die Beleuchtung der Taste (13) « ⏻ », ertönt ein Tonsignal, beim Erreichen der eingestellten Temperatur blinkt die Beleuchtung der Ein-/Ausschalttaste (12) « ⏻ ».
- Wenn Sie die Temperaturerhaltung ausschalten müssen, drücken Sie die Ein-/Ausschalttaste (12) « ⏻ ».

AUTOMATISCHE ABSCHALTUNGSFUNKTION DES WASSERKOCHERS

- Falls Sie den Wasserkocher zufällig eingeschaltet haben, jedoch der Wasserstand darin unter der minimalen Wasserstandsmarke «MIN» bleibt, spricht das Sicherungselement automatisch an und der Wasserkocher schaltet sich automatisch aus. In diesem Fall nehmen Sie den Wasserkocher vom Untersatz (1) ab, lassen Sie ihn 10-15 Minuten

abkühlen, dann füllen Sie den Wasserkocher mit Wasser und schalten Sie ihn ein, der Wasserkocher wird im normalen Betrieb funktionieren.

REINIGUNG UND PFLEGE

- Trennen Sie den Wasserkocher vor der Reinigung vom Stromnetz ab, gießen Sie Wasser aus und lassen Sie den Wasserkocher abkühlen.
- Wischen Sie den Untersatz (1) und die äußere Oberfläche des Wasserbehälters (2) mit einem leicht feuchten Tuch ab, wischen Sie dann den Untersatz (1) und den Wasserbehälter (2) trocken ab. Für Entfernung von Verschmutzungen benutzen Sie weiche Reinigungsmittel, aber keine Metallbürsten und Abrasiv- oder Lösmittel.
- Reinigen Sie das Filtersieb (3) regelmäßig vom Kalkstein mit einer weichen Bürste.
- Tauchen Sie den Wasserkocher nicht ins Wasser oder andere Flüssigkeiten ein und spülen Sie ihn nicht in der Spülmaschine ab.
- Kalkentfernung
- Der Kalkstein, der sich innerhalb des Wasserbehälters (1) bildet, beeinflusst die Geschmackseigenschaften des Wassers und verletzt den Wärmeaustausch zwischen Wasser und dem Heizelement.
- Zum Entkalken können Sie sowohl spezielle

Entkalkungsmittel als auch Haushaltsprodukte wie Essig oder Zitronensäure verwenden.

- Zum entkalken, füllen Sie den Wasserbehälter (1) mit 1/3 Wasser und lassen Sie es aufkochen. Öffnen Sie den Deckel und füllen Sie den Tafelessig (6-9%) bis zur Markierung «MAX» hinzu, lassen Sie die Flüssigkeit für einige Stunden im Wasserkocher. Nach dem Auflösen des Kalksteines gießen die Flüssigkeit ab und spülen den Wasserbehälter (1) mehrmals ab. Um den Essiggeruch zu entfernen, kochen Sie das Wasser mehrmals.
- Lösen Sie 25 G Zitronensäure in 500 ml heißes Wasser auf.
- Gießen Sie die resultierende Lösung in den Wasserkocher und warten Sie 15 Minuten.
- Gießen Sie die Flüssigkeit ab und spülen Sie den Wasserbehälter (1) mehrmals ab, lassen Sie das Wasser mehrmals kochen.
- Zum entkalken können spezielle Mittel verwendet werden, die für elektrische Wasserkocher oder Kaffeemaschinen bestimmt sind, halten Sie sich strikt an die Gebrauchsanweisung, die auf der Verpackung des Produkts oder in den zusätzlichen Materialien des Verkäufers platziert werden muss.
- Reinigen Sie den Wasserkocher vom Kalk regelmäßig.

AUFBEWAHRUNG

- Bevor Sie den Wasserkocher zur langen Aufbewahrung wegnehmen, trennen Sie es vom Stromnetz ab, gießen Sie Wasser ab und lassen Sie das Gerät abkühlen.
- Reinigen Sie den Untersatz (1) und den Wasserbehälter (2).
- Bewahren Sie das Gerät an einem trockenen, kühlen und für Kinder und behinderte Personen unzugänglichen Ort auf.

LIEFERUMFANG

1. Wasserkocher — 1 St.
2. Untersatz — 1 St.
3. Bedienungsanleitung — 1 St.

TECHNISCHE DATEN

- Betriebsspannung: 220-240 V, ~ 50/60 Hz
- Nennleistungsaufnahme: 1850-2200 W
- Maximale Füllmenge: 1,7 l

ENTSORGUNG

Um die Umwelt zu schützen, nach Ablauf der Lebensdauer des Gerätes bringen Sie es zum spezialisierten Verwertungspunkt zur weiteren Verwertung.

Die bei der Entsorgung der Erzeugnisse entstehenden Abfälle sind unbedingt zu sammeln und weiter ordnungsmäßig zu entsorgen.

Mehrere Information zur Entsorgung dieses Produkts erhalten Sie bei Ihrer lokalen Stadtverwaltung, einem Abfallentsorgungsdienst oder beim Geschäft, wo Sie dieses Produkt gekauft haben.

Der Hersteller behält sich das Recht vor, das Design, die Konstruktion und die das gemeine Gerätebetriebsprinzip nicht beeinflussende technische Eigenschaften des Geräts ohne Vorbenachrichtigung zu verändern.

Nutzungsdauer des Geräts beträgt 3 Jahre

ЧАЙНИК ЭЛЕКТРИЧЕСКИЙ BR1003

Электроприбор для нагревания жидкости (чайник) предназначен только для нагревания и кипячения питьевой воды.

ОПИСАНИЕ

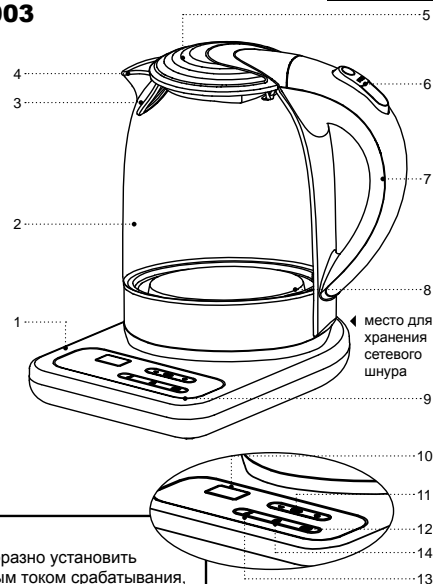
1. Подставка
2. Колба
3. Сетчатый фильтр
4. Носик
5. Крышка
6. Клавиша открывания крышки
7. Ручка
8. Подсветка колбы
9. Панель управления

Панель управления

10. Дисплей
11. Кнопки установки температуры «-/+»
12. Кнопка включения/выключения « ϕ »
13. Кнопка включения режима поддержания температуры « \downarrow »
14. Кнопка включения режима длительного кипячения (дехлорирования) воды « \odot »

ВНИМАНИЕ!

Для дополнительной защиты в цепи питания целесообразно установить устройство защитного отключения (УЗО) с номинальным током срабатывания, не превышающим 30 мА. Для установки УЗО обратитесь к специалисту.



МЕРЫ БЕЗОПАСНОСТИ И РЕКОМЕНДАЦИИ ПО ЭКСПЛУАТАЦИИ

Перед использованием устройства внимательно ознакомьтесь с руководством по эксплуатации, после чтения, сохраните его для использования в будущем.

- Используйте электрический чайник только по его прямому назначению, как изложено в данной инструкции.
- Неправильное обращение с чайником может привести к его поломке, причинению вреда пользователю или его имуществу и не является гарантийным случаем.
- Чайник предназначен только для подогрева и кипячения питьевой воды, запрещается подогревать или кипятить любые другие жидкости.
- Убедитесь, что рабочее напряжение электрического чайника, указанное на этикетке, соответствует напряжению электросети.
- Чайник должен быть обязательно заземлен. В случае возникновения короткого замыкания, заземление снижает риск поражения электрическим током.
- Шнур питания снабжён «евровилкой»; вставляйте её только в электрическую розетку, имеющую надёжный контакт заземления.
- Обратитесь к специалисту-электрику, если вы не уверены в том, что ваши розетки правильно установлены и заземлены.
- Во избежание возникновения пожара запрещается использовать «переходники», предназначенные для подключения сетевой вилки к электрической розетке, не имеющей контакта заземления.
- При искрении и присутствии запаха гари, выньте вилку сетевого шнура из розетки и обратитесь в организацию, обслуживающую вашу домашнюю электрическую сеть.
- При появлении дыма из колбы или корпуса чайника, выньте вилку сетевого шнура из розетки, не открывайте крышку чайника, примите меры к нераспространению огня.
- Запрещается использовать электрический чайник вне помещений.
- Не рекомендуется использовать устройство во время грозы.
- Не устанавливайте на чайник посторонние предметы.
- Оберегайте устройство от ударов, падений, вибраций и иных механических воздействий.
- Не оставляйте электрический чайник, включённый в сеть, без присмотра.
- Не используйте электрический чайник вблизи от кухонной раковины, в ванных комнатах, около бассейнов или других ёмкостей, наполненных водой.

- Не используйте электрический чайник в непосредственной близости от нагревательных приборов, источников тепла или открытого пламени.
- Запрещается использовать электрический чайник в местах, где используются или распыляются аэрозоли, а также вблизи от легковоспламеняющихся жидкостей.
- Устанавливайте электрический чайник на ровную и устойчивую поверхность, не ставьте его на край стола. Не допускайте, чтобы сетевой шнур свешивался со стола, а также следите, чтобы он не касался горячих поверхностей и острых кромок мебели.
- Не направляйте носик чайника на деревянную мебель, книги, на предметы, которые могут быть повреждены влагой или горячим паром.
- Запрещается прикасаться к шнуру питания и вилке мокрыми руками.
- Не включайте чайник без воды, после наполнения чайника, плотно закрывайте крышку.
- Следите, чтобы уровень воды в чайнике был не выше максимальной отметки «МАХ», которая нанесена внутри колбы чайника. Если уровень воды будет выше максимальной отметки, кипящая вода может выплеснуться из чайника во время кипячения.
- Во избежание получения ожога горячим паром не наклоняйтесь над носиком чайника.
- Запрещается открывать крышку чайника во время кипячения воды.
- Поверхность чайника может иметь достаточно высокую температуру. Соблюдайте осторожность и аккуратность при контакте с нагретыми поверхностями чайника. Берите чайник за ручку.
- Будьте осторожны при переносе чайника, наполненного кипятком. Выливайте воду из чайника осторожно, не наклоняйте чайник резко, при неаккуратном использовании чайника, вы можете получить ожог горячей водой.
- Отключайте чайник от электрической сети перед чисткой или в том случае, если вы им не пользуетесь. При отключении изделия от сети держитесь только за вилку и аккуратно извлеките её из электрической розетки, не тяните за провод — это может привести к повреждению провода или розетки и вызвать короткое замыкание.
- Во избежание удара электрическим током не погружайте электрический чайник в воду или любые другие жидкости.
- Запрещается помещать электрический чайник в посудомоечную машину.
- Из соображений безопасности не оставляйте полиэтиленовые пакеты, используемые в качестве упаковки, без присмотра и в местах доступных для детей.

ВНИМАНИЕ!

Не разрешайте детям играть с полиэтиленовыми пакетами или упаковочной плёнкой. **Опасность удушья!**

- Электрический чайник не предназначен для использования детьми.
- Осуществляйте надзор за детьми, чтобы не допустить использования прибора в качестве игрушки.
- Не разрешайте детям прикасаться к устройству и к шнуру питания во время работы электрического чайника.
- Во время работы и остывания размещайте устройство в местах, недоступных для детей.
- Данное устройство не предназначено для использования лицами (включая детей) с пониженными физическими, психическими или умственными способностями или при отсутствии у них опыта или знаний, если они не находятся под контролем или не проинструктированы об использовании прибора лицом, ответственным за их безопасность.
- Периодически проверяйте состояние шнура питания, сетевой вилки и корпуса чайника.
- При повреждении шнура питания его замену во избежание опасности должны производить изготовитель, сервисная служба или подобный квалифицированный персонал.
- Запрещается самостоятельно ремонтировать прибор. Не разбирайте прибор самостоятельно, при возникновении любых неисправностей, а также после падения устройства выключите прибор из электрической розетки и обратитесь в сервисный центр.

- Перевозите чайник в заводской упаковке.
- Храните устройство в местах, недоступных для детей и людей с ограниченными возможностями.

ЭЛЕКТРИЧЕСКИЙ ЧАЙНИК ПРЕДНАЗНАЧЕН ТОЛЬКО ДЛЯ БЫТОВОГО ИСПОЛЬЗОВАНИЯ, ЗАПРЕЩАЕТСЯ ИСПОЛЬЗОВАТЬ ЧАЙНИК ДЛЯ ОТОПЛЕНИЯ ПОМЕЩЕНИЙ, ИСПОЛЬЗОВАНИЕ В ПРОМЫШЛЕННЫХ ИЛИ ЛАБОРАТОРНЫХ ЦЕЛЯХ

ПОДГОТОВКА ЧАЙНИКА К РАБОТЕ

После транспортировки или хранения устройства при пониженной температуре необходимо выдержать его при комнатной температуре не менее трёх часов.

- Распакуйте чайник и удалите все упаковочные материалы.
- Сохраните заводскую упаковку.
- Проверьте комплектацию.
- Ознакомьтесь с мерами безопасности и рекомендациями по эксплуатации.
- Осмотрите чайник на наличие повреждений при наличии повреждений не включайте его в сеть.
- Убедитесь, что параметры напряжения питания, указанные на нижней панели изделия или подставке, соответствуют параметрам электрической сети. При использовании чайника в электрической сети частотой 60 Гц, никакой дополнительной настройки не требуется.

- Протрите подставку (1), наружную и внутреннюю поверхность колбы (2) чистой, слегка влажной тканью для удаления пыли.

ВНИМАНИЕ!

При обращении с чайником будьте осторожны, стеклянная колба (2) может разбиться при падении чайника или при ударе об твёрдый предмет.

Примечания:

- кнопки режимов работы на панели управления (9) сенсорные, для включения нужного режима работы, к кнопке достаточно прикоснуться.
- каждое прикосновение к кнопкам сопровождается звуковым сигналом.
- Установите подставку (1) на твердую, устойчивую, ровную, не скользкую, неметаллическую поверхность вдали от источников тепла на максимально дальнем расстоянии от края поверхности.
- Не устанавливайте и не используйте чайник в замкнутом пространстве, например, в шкафу или в замкнутых конструкциях — это может привести к его поломке, причинению вреда пользователю или его имуществу.
- Вымойте колбу (2) с использованием нейтральных моющих средств, ополосните и просушите. Внешнюю поверхность колбы (2) протрите слегка влажной тканью, затем вытрите насухо. Не используйте для этих целей абразивные чистящие средства и жёсткие мочалки.

- Перед подключением чайника проверьте, чтобы на подставке (1), колбе (2), шнуре питания, вилке шнура питания не было капель влаги.
- Снимите чайник с подставки (1).
- Для наполнения чайника водой нажмите на клавишу (6) открывания крышки и откройте крышку (5).
- Наполните чайник водой до отметки «МАХ», по шкале, расположенной на внешней поверхности колбы (2).
- Закройте крышку, убедитесь, что крышка чайника плотно закрыта.
- Поставьте чайник на подставку (1).
- Вставьте вилку шнура питания в электрическую розетку, при этом прозвучит звуковой сигнал, и на дисплее (10) отобразится температура воды в колбе (2) чайника.
- Нажмите кнопку включения/выключения (12) « \odot ». Чайник включится, прозвучит звуковой сигнал и включится подсветка (8) колбы (2). По мере нагревания воды, на дисплее (10) будут отображаться цифровые символы температуры воды в колбе (2), подсветка кнопки включения/выключения (12) « \odot » будет мигать, после закипания воды, прозвучат звуковые сигналы, чайник автоматически отключится, подсветка колбы (8) погаснет, погаснет подсветка кнопки включения/выключения (12) « \odot ».
- Снимите чайник с подставки и аккуратно вылейте кипяченую воду в подходящую емкость.

- Помните, что внутри колбы (2) чайника кипятят, всегда держите чайник только за ручку (7) не наклоняйте чайник резко, при неаккуратном использовании чайника, вы можете получить ожог горячей водой.
- Повторите процедуру кипячения воды несколько раз.

ВНИМАНИЕ!

Во избежание получения ожога горячим паром, не наклоняйтесь над носиком (4).

- Полученную в результате первых кипячений горячую воду не рекомендуется употреблять в пищу, вы можете использовать ее для бытовых нужд.

ИСПОЛЬЗОВАНИЕ ЭЛЕКТРИЧЕСКОГО ЧАЙНИКА

- Установите подставку (1) на твердую, устойчивую, ровную, не скользкую, неметаллическую поверхность вдали от источников тепла на максимально дальнем расстоянии от края поверхности.

КИПЯЧЕНИЕ ВОДЫ

- Снимите чайник с подставки (1).
- Для наполнения чайника водой нажмите на клавишу (6) открывания крышки и откройте крышку (5).
- Наполните чайник водой до отметки «МАХ», по шкале, расположенной на внешней поверхности колбы (2).

- Закройте крышку, убедитесь, что крышка чайника плотно закрыта.
- Поставьте чайник на подставку (1).
- Вставьте вилку шнура питания в электрическую розетку, при этом прозвучит звуковой сигнал, на дисплее (10) отобразится температура воды в колбе (2) чайника.
- Нажмите кнопку включения/выключения (12) « Φ ». Чайник включится, прозвучит звуковой сигнал и включится подсветка (8) колбы (2). По мере нагревания воды, на дисплее (10) будут отображаться цифровые символы температуры воды в колбе (2), подсветка кнопки включения/выключения (12) « Φ » будет мигать, после закипания воды, прозвучат звуковые сигналы, чайник автоматически отключится, подсветка колбы (8) погаснет.
- При необходимости выключения чайника, нажмите кнопку включения/выключения (12) « Φ ».
- Режим длительного кипячения (дехролирования) воды
- Наполненный водой чайник установите на подставку (1).
- Нажмите кнопку включения/выключения (12) « Φ », чайник включится, затем нажмите кнопку длительного кипячения воды (14) « \odot », при этом загорится подсветка кнопки (14) « \odot », кипячение воды будет происходить в течение 3 минут, после этого прозвучат звуковые сигналы и чайник автоматически выключится.

- При необходимости выключения чайника, нажмите кнопку включения/выключения (12) « Φ ».

НАГРЕВ ВОДЫ ДО ЗАДАННОЙ ТЕМПЕРАТУРЫ

- Вы можете подогреть воду до необходимой температуры. Для заваривания разных сортов чая необходима определенная температура воды.
- Рекомендуется использовать температуру воды: 40-60 °C — для детского питания, 70 °C — для белого чая, 80 °C — зеленого, 90-100 °C — черного чая.
- Примечание: — функция нагрева воды до заданной температуры активна только при условии, что наполненный водой чайник установлен на подставку (1), если вы сняли чайник с подставки (1), установленные параметры нагрева воды сбросятся, установите чайник на подставку (1), заново установите температуру нагрева воды и включите чайник.
- Нажмите кнопку включения/выключения (11) «-/», при этом прозвучит звуковой сигнал, включится подсветка колбы (2), на дисплее (10) отобразится температура воды в колбе (2), подсветка кнопки (12) « Φ » будет мигать.
- Нажмите на одну из кнопок (11) «-/» для установки заданной температуры нагрева воды 40-50-60-70-80-90 °C, на дисплее (10) отобразятся мигающие цифровые символы установленной температуры, через три секунды на дисплее (10) отобразится температура воды в колбе (2).

- На дисплее (10) будет отображаться температура воды в колбе (2), при нагреве воды до заданной температуры, чайник выключится, подсветка колбы (2) погаснет, а подсветка кнопки включения/выключения (12) « Φ » будет светиться постоянно.
- При необходимости выключения функции нагрева воды, нажмите кнопку включения/выключения (12) « Φ ».

ФУНКЦИЯ ПОДДЕРЖАНИЯ ЗАДАННОЙ ТЕМПЕРАТУРЫ

Примечания:

- функция поддерживает заданную температуру воды в течение 2 часов без повторного кипячения. По истечении этого времени режим поддержания температуры автоматически отключается.
- функция поддержания заданной температуры воды активна только при условии, что наполненный водой чайник установлен на подставку (1), если вы сняли чайник с подставки (1), установленные параметры поддержания температуры воды сбросятся, установите чайник на подставку (1), заново установите температуру нагрева воды и включите чайник.
- Нажмите кнопку включения/выключения (11) «-/», при этом прозвучит звуковой сигнал, включится подсветка колбы (2), на дисплее (10) отобразится

температура воды в колбе (2), подсветка кнопки (12) «☺» будет мигать.

- Нажмите на одну из кнопок (11) «-/+» для установки заданной температуры поддержания температуры воды 40-50-60-70-80-90 °С, на дисплее (10) отобразятся мигающие цифровые символы установленной температуры, через три секунды на дисплее (10) отобразится температура воды в колбе (2).
- Нажмите кнопку включения режима поддержания температуры (13) «⏸», загорится подсветка кнопки (13) «⏸», прозвучит звуковой сигнал, по достижении заданной температуры, подсветка кнопки включения/выключения (12) «☺» будет мигать.
- При необходимости выключения функции поддержания температуры воды, нажмите кнопку включения/выключения (12) «☺».

ФУНКЦИЯ АВТОМАТИЧЕСКОГО ВЫКЛЮЧЕНИЯ ЧАЙНИКА

- Если вы случайно включили чайник, а уровень воды оказался ниже минимальной отметки «MIN», то сработает автоматический термopедохранитель и чайник отключится. В этом случае снимите чайник с подставки (1) и дайте ему остыть в течение 10-15 минут, затем наполните чайник водой и включите, электрический чайник будет работать в нормальном режиме.

ЧИСТКА И УХОД

- Перед чисткой отключите чайник от электросети, слейте воду и дайте чайнику остыть.
- Протрите подставку (1) и внешнюю поверхность колбы (2) слегка влажной тканью, после этого вытрите подставку (1) и колбу (2) насухо. Для удаления загрязнений используйте мягкие чистящие средства, не используйте металлические губки и абразивные моющие средства и растворители.
- Периодически очищайте сетчатый фильтр (3) от накипи, используя мягкую щётку.
- Не погружайте электрический чайник в воду или в любые другие жидкости, запрещается промывать его в посудомоечной машине.
- Удаление накипи
- Накипь, образующаяся внутри колбы (1), влияет на вкусовые качества воды, нарушает теплообмен между водой и нагревательным элементом.
- Для удаления накипи можно использовать как специальные средства для удаления накипи, так и бытовые, например, уксус или лимонную кислоту.
- наполните колбу (1) на 1/3 водой и вскипятите её. Откройте крышку и долейте столовый уксус (6-9%) до метки «MAX», оставьте жидкость в чайнике на несколько часов. После растворения накипи слейте жидкость и несколько раз ополосните колбу (1). Для удаления запаха уксуса, несколько раз прокипятите воду.

- Растворите 25 г лимонной кислоты в 500 мл горячей воды.
- Залейте получившийся раствор в чайник и оставьте на 15 минут.
- Слейте жидкость и несколько раз ополосните колбу (1), несколько раз прокипятите воду.
- Для удаления накипи можно использовать специальные средства, предназначенные для электрических чайников или кофемашин, строго придерживайтесь инструкции по их применению, которая должна быть размещена на упаковке средства или в дополнительных материалах, предоставляемых продавцом.
- Регулярно очищайте чайник от накипи.

ХРАНЕНИЕ

- Прежде чем убрать чайник на длительное хранение, отключите его от электросети, слейте воду и дайте устройству остыть.
- Очистите подставку (1) и колбу (2).
- Храните чайник в сухом прохладном месте, недоступном для детей и людей с ограниченными возможностями.

КОМПЛЕКТ ПОСТАВКИ

- Чайник электрический — 1 шт.
- Подставка — 1 шт.
- Инструкция — 1 шт.

ТЕХНИЧЕСКИЕ ХАРАКТЕРИСТИКИ

- Напряжение питания: 220-240 В, ~ 50/60 Гц
- Номинальная потребляемая мощность: 1850-2200 Вт
- Максимальный объём воды: 1,7 л

УТИЛИЗАЦИЯ



В целях защиты окружающей среды, после окончания срока службы прибора, передайте его в специализированные пункты для дальнейшей утилизации.

Отходы, образующиеся при утилизации изделий, подлежат обязательному сбору с последующей утилизацией в установленном порядке.

Для получения дополнительной информации об утилизации данного продукта обратитесь в местный муниципалитет, службу утилизации бытовых отходов или в магазин, где вы приобрели данный продукт.

Производитель сохраняет за собой право изменять дизайн, конструкцию и технические характеристики, не влияющие на общие принципы работы устройства.

Срок службы устройства — 3 года

Дата производства указана в серийном номере.

В случае обнаружения каких либо неисправностей необходимо обратиться в авторизованный сервисный центр.

ЭЛЕКТР ШАЙНЕК BR1003

Сұйықтықты қыздыруға арналған электр аспап (шайнек) ішуге арналған суды қыздыруға және қайнатуға ғана арналған.

СИПАТТАМАСЫ

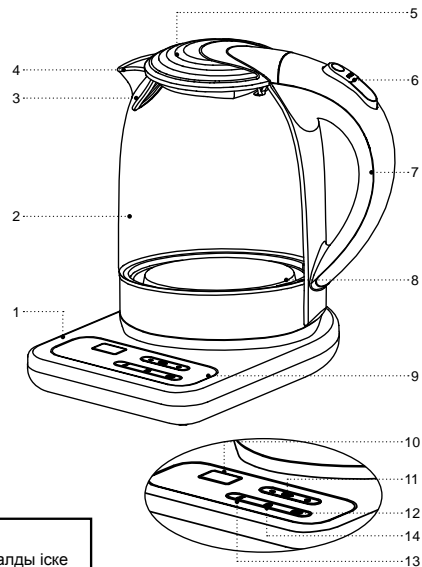
1. Түпқойма
2. Құты
3. Торлы сүзгі
4. Шүмек
5. Қақпақ
6. Қақпақты ашу пернесі
7. Қолсап
8. Құтыны жарықтандыру
9. Басқару панелі

Басқару панелі

10. Дисплей
11. Температураны орнату батырмалары «-/+»
12. Қосу/сөндіру батырмасы « \cup »
13. Температураны қолдау режимін қосу батырмасы « \downarrow »
14. Суды ұзақ қайнату (дехлорлау) режимін қосу батырмасы « \odot »

НАЗАР АУДАРЫҢЫЗ!

Қосымша қорғаныс үшін қуаттандыру тізбегінде номиналды іске қосылу тогы 30 мА аспайтын қорғаныс сөндіру құрылғысын (ҚАҚ) орнатқан дұрыс, ҚАҚ-ны орнату үшін маманға хабарласыңыз.



ҚАУІПСІЗДІК ШАРАЛАРЫ ЖӘНЕ ПАЙДАЛАНУ БОЙЫНША НҰСҚАУЛЫҚТАР

Құрылғыны пайдаланар алдында пайдалану нұсқаулығын мұқият оқып шығыңыз, оқыған соң, болашақта пайдалану үшін сақтап қойыңыз.

- Электр шайнекті осы нұсқаулықта көрсетілгендей, тікелей тағайыны бойынша ғана пайдаланыңыз.
- Шайнекті дұрыс қолданбау оның бұзылуына, және пайдаланушыға немесе оның мүлкіне зиян келтіруге әкеп соғуы мүмкін және кепілдік жағдайы болып саналмайды.
- Шайнек ішуге арналған суды ғана қыздыруға және қайнатуға тағайындалған, қандай да бір басқа сұйықтықтарды қыздыруға немесе қайнатуға тыйым салынады.
- Заттаңбада көрсетілген электр шайнектің жұмыс кернеуі электр желісінің кернеуіне сәйкес екеніне көз жеткізіңіз.
- Шайнек міндетті түрде жерге қосулы болуы қажет. Қысқа тұйықталу болған жағдайда, жерге қосу электр тогы соғу тәуекелін төмендетеді.
- Қуаттандыру бауы «евроашамен» жабдықталған; оны тек сенімді жерге қосылған,
- электр розеткасына қосыңыз.
- Егер розетканың дұрыс орнатылғанына және жерге қосуына сенімді болмасаңыз, электр маманына хабарласыңыз.
- Өрттің шығуын болдырмау үшін, жерге қосу түйісуі жоқ электр розеткасына қосуға арналған, желі ашасы «өткізгіштерін» пайдалануға тыйым салынады.
- Күйік иісі және от ұшқыны пайда болған кезде, розеткадан желі бауының ашасын шығарыңыз және үйдің электр желісіне қызмет көрсететін ұйымға хабарласыңыз.
- Құтыдан немесе шайнек корпусынан түтін пайда болған кезде, розеткадан желі бауының ашасын шығарыңыз, шайнек қақпағын ашаңыз, отты таратпау шараларын қолданыңыз.
- Электр шайнекті үй-жайдан тыс жерде пайдалануға тыйым салынады.
- Найзағай кезінде құрылғыны пайдалану ұсынылмайды.
- Шайнекке бөгде заттарды қоймаңыз.
- Құрылғыны соққыдан, құлаудан, дірілден және басқа да механикалық әсерлерден сақтаңыз.
- Желіге қосулы тұрған, электр шайнекті қараусыз қалдырмаңыз.
- Электр шайнекті ас үй раковинасына жақын, жуынатын бөлмеде, бассейндер немесе басқа да су толтырылған сымдылықтарға жақын жерде пайдаланбаңыз.
- Электр шайнекті жылытатын аспаптардың, ашық оттың немесе жылу көздерінің тікелей қасында пайдаланбаңыз.
- Электр шайнекті аэрозольдар пайдаланылатын немесе шашырайтын жерлерде, сондай-ақ тез

тұтанатын сұйықтықтарға жақын жерлерде пайдалануға тыйым салынады.

- Электр шайнекті тегіс және тұрақты бетке орнатыңыз, оны үстелдің шетіне қоймаңыз. Желілік бауының үстелден салбырап тұруына жол бермеңіз, сонымен бірге оның ыстық беттермен және жиһаздың үшкір жиектерімен жанаспауын қадағалаңыз.
- Шайнектің шүмегі ағаш жиһазға, кітаптарға, ылғалдан немесе ыстық будан бүлінетін заттарға бағыттамаңыз.
- Қуаттандыру бауы мен ашаға дымқыл қолмен тиісуге тыйым салынады.
- Шайнекті сусыз қоспаңыз, шайнекті толтырғаннан кейін қақпағын тығыз жабыңыз.
- Шайнектегі судың деңгейі шайнек құтысы ішіне салынған «МАХ» максималды белгісінен жоғары болмауын қадағалаңыз. Егер судың көлемі максималдық белгіден асып тұрса, қайнаған кезде қайнаған су шәуімінен тасып төгілуі мүмкін.
- Суды қайнату кезінде ыстық буға күйіп қалмау үшін жұмыс істеп тұрған шайнектің шүмегіне төнбеңіз.
- Суды қайнатқан кезде шайнектің қақпағын ашуға тыйым салынады.
- Шайнектің беті өте жоғары температурада болуы мүмкін. Шайнектің қызған беттеріне тиіскен кезде ұқыптылық пен абайлық сақтаңыз. Шайнекті тұтқасынан ұстаңыз.

- Қайнаған суға толы шайнекті тасымалдаған кезде сақ болыңыз. Шайнек суын төккенде абайлаңыз, шайнекті күрт еңкейтпеңіз, шайнекті ұқыпсыз пайдаланғанда, сіз ыстық суға күйіп қалуыңыз мүмкін.
- Шайнекті тазалау алдында немесе пайдаланбайтын болған жағдайда, оны электр желісінен ажыратыңыз. Бұйымды желіден ажыратқан кезде тек ашасынан ұстаңыз және оны электр розеткасынан абайлап шығарыңыз, сымнан тартпаңыз — бұл сымның және розетканың зақымдануына әкелуі және қысқа тұйықталуын тудыруы мүмкін.
- Электр тогының соғу қаупін болдырмас үшін электр шайнекті суға немесе кез келген басқа да сұйықтыққа батырмаңыз.
- Электр шайнекті ыдыс жуатын машинаға салуға тыйым салынады.
- Балалардың қауіпсіздігі мақсатында орама ретінде қолданылатын полиэтилен қапшықтарды қараусыз қалдырмаңыз.

НАЗАР АУДАРЫҢЫЗ!

Балаларға полиэтилен пакеттерімен немесе қаптама үлдірімен ойнауға рұқсат етпеңіз. **Тұншығу қаупі бар!**

- Электр шайнек балалардың пайдалануына арналмаған.
- Аспапты ойыншық ретінде пайдаланбас үшін, балаларды қадағалап отырыңыз.

- Электр шайнек жұмыс істеп тұрғанда, қуаттандыру бауына және құрылғыға тиісуіне балаларға рұқсат бермеңіз.
- Жұмыс кезінде және суу кезінде құрылғыны балалардың қолы жетпейтін жерге қойыңыз.
- Осы құрылғы дене, психикалық немесе ақыл-ой мүмкіндіктері төмендетілген тұлғалардың (балаларды қоса) немесе оларда тәжірибесі немесе білімі болмаса, егер олар бақыланбаса немесе олардың қауіпсіздігі үшін жауап беретін тұлғамен аспапты пайдалану туралы нұсқаулықтар берілген болмаса, олардың пайдалануына арналмаған.
- Қуаттандыру бауының желі ашасы және шайнек корпусының жағдайын мезгілімен тексеріңіз.
- Қуаттандыру бауы зақымданғанда қауіп тудырмау үшін оны дайындаушы, сервистік қызмет немесе баламалы білікті маман ауыстыруы тиіс.
- Аспапты өз бетіңізбен жөндеуге тыйым салынады. Аспапты өз бетіңізбен жөндемеңіз, кез келген ақаулықтар пайда болған кезде, сондай-ақ құрылғы құлағаннан кейін аспапты электр розеткасынан ажыратып, қызмет көрсету орталығына хабарласыңыз.
- Құрылғыны тек зауыт қыптамасымен ғана тасымалдаңыз.
- Құрылғыны балалардың және мүмкіндіктері шектеулі адамдардың қолы жетпейтін жерде сақтаңыз.

ЭЛЕКТР ШАЙНЕК ТЕК ТҰРМЫСТЫҚ ПАЙДАЛАНУҒА АРНАЛҒАН, ҮЙ-ЖАЙЛАРДЫ ЖЫЛЫТУ ҮШІН ШАЙНЕКТІ ПАЙДАЛАНУҒА, ӨНЕРКӘСІПТІК НЕМЕСЕ ЗЕРТХАНАЛЫҚ МАҚСАТТАРДА ПАЙДАЛАНУҒА ТЫЙЫМ САЛЫНАДЫ

ШАЙНЕКТІ ЖҰМЫСҚА ДАЙЫНДАУ

Құрылғыны тасымалдағаннан кейін немесе төмен температурада сақтағаннан кейін оны бөлме температурасында үш сағаттан кем емес уақыт ұстау қажет.

- Шайнекті қаптамадан шығарыңыз және барлық қаптама материалдарды жойыңыз.
- Зауыт қаптамасын сақтаңыз.
- Жинақталымын тексеріңіз.
- Қауіпсіздік шаралары мен пайдалану нұсқауларымен танысыңыз.
- Шайнекті зақымдануына қатысты байқаңыз зақымдануы болған жағдайда оны желіге қоспаңыз.
- Бұйымның төменгі панелінде немесе түпқоймасында көрсетілген қуаттандыру кернеуінің параметрлері электр желісінің параметрлеріне сәйкес келетініне көз жеткізіңіз. Шайнекті 60 Гц жиіліктегі электр желісінде пайдаланғанда, ешқандай қосымша баптау қажет емес.
- Түпқойманы (1), құттының сыртқы және ішкі бетін (2) шаңды жою үшін таза, сәл дымқыл матамен сүртіңіз.

НАЗАР АУДАРЫҢЫЗ!

Шайнектен жұмыс істегенде сақ болыңыз, шыны құты шайнек құлағанда немесе қатты затқа соғылғанда сынуы мүмкін.

Ескертпе:

- басқару тақтасындағы (9) жұмыс режимдерінің батырмалары сенсорлы, қажетті жұмыс режимін іске қосу үшін батырманы түрту жеткілікті.
- әрбір батырманы түрту дыбыстық белгімен сүйемелденеді.
- Түпқойманы (1) қатты, тұрақты, тегіс, тайғақ емес, металл емес бетке жылу көздері беттерінің шетінен барынша алыс қашықтықта орнатыңыз.
- Шайнекті жабық кеңістікте, мысалы, шкафа немесе жабық құрылымдарға орналастырмаңыз және пайдаланбаңыз — бұл оның сынуына, пайдаланушыға немесе оның мүлкіне зиян келтіруіне әкелуі мүмкін.
- Бейтарап жуу құралдарын пайдаланып құтыны (2) жуыңыз, шайыңыз және келтіріңіз. Құтының сыртқы бетін (2) сәл дымқыл матамен сүртіңіз, содан кейін құрғатып сүртіңіз. Осы мақсаттарға абразивті тазалау құралдарын және қатты жөкелерді пайдаланбаңыз.
- Шайнекті қосар алдында түпқоймада (1), құтыда (2) қуаттандыру бауында, қуаттандыру бауының

ашасында ылғал тамшысы болмауын тексеріңіз.

- Шайнекті түпқоймадан (1) шешіп алыңыз.
- Шайнекті сумен толтыру үшін қақпақты ашу пернесін (6) басыңыз және қақпақты (5) ашыңыз.
- Құтының (2) сыртқы бетінде орналасқан шәкіл бойынша шайнекті «MAX» белгісіне дейін сумен толтырыңыз.
- Қақпақты жабыңыз, шайнектің қақпағы тығыз жабылғанын тексеріңіз.
- Шайнекті түпқоймаға (1) қойыңыз.
- Желі бауының ашасын электр розеткасына тығыңыз, осы кезде дыбыстық белгі естіледі, және дисплейде (10) шайнек құтысындағы (2) судың температурасы көрсетіледі.
- Қосу/сөндіру (12) « Φ » батырмасын басыңыз. Шайнек қосылады, дыбыс белгісі естіледі және құтының (2) жарықтандыруы (8) қосылады. Судың қызуына қарай, дисплейде (10) құтыдағы су температурасының цифрлік белгілері бейнеленеді (2), қосу/өшіру батырмасының жарықтандыруы (12) « Φ » жыпылықтайды, су қайнағаннан кейін, дыбыс белгілері естіледі, шайнек автоматты түрде сөнеді, құтының жарықтандыруы (8) сөнеді, қосу/сөндіру батырмасы (12) « Φ » жарықтандыруы сөнеді.
- Шайнекті түпқоймадан шешіп алыңыз, қайнаған суды қолайлы ыдысқа абайлап құйыңыз.
- Шайнек құтысының ішінде (2) қайнаған су екенін есте сақтаңыз, әрқашан шайнекті тек қолсаынан

ұстаңыз (7) шайнекті күрт еңкейтпеңіз, шайнекті ұқыпсыз пайдаланғанда, сіз ыстық суға күйіп қалуыңыз мүмкін.

- Суды қайнату рәсімін бірнеше рет қайталаңыз.

НАЗАР АУДАРЫҢЫЗ!

Ыстық буға күйіп қалмас үшін, шайнек шүмегінің (4) үстіне еңкеймеңіз.

- Алғашқы қайнату нәтижесінде алынған ыстық суды тамаққа қолдану ұсынылмайды, оны тұрмыстық қажеттіліктер үшін пайдалануға болады.

ЭЛЕКТР ШАЙНЕКТИ ПАЙДАЛАНУ

- Түпқойманы (1) қатты, тұрақты, тегіс, тайғақ емес, металл емес бетке жылу көздері беттерінің шетінен барынша алыс қашықтықта орнатыңыз.

СУДЫ ҚАЙНАТУ

- Шайнекті түпқоймадан (1) шешіп алыңыз.
- Шайнекті сумен толтыру үшін қақпақты ашу пернесін (6) басыңыз және қақпақты (5) ашыңыз.
- Құтының (2) сыртқы бетінде орналасқан шәкіл бойынша шайнекті «MAX» белгісіне дейін сумен толтырыңыз.
- Қақпақты жабыңыз, шайнектің қақпағы тығыз жабылғанын тексеріңіз.
- Шайнекті түпқоймаға (1) қойыңыз.
- Желі бауының ашасын электр розеткасына

тығыңыз, осы кезде дыбыстық белгі естіледі, дисплейде (10) шайнек құтысындағы (2) судың температурасы көрсетіледі.

- Қосу/сөндіру (12) « Φ » батырмасын басыңыз. Шайнек қосылады, дыбыс белгісі естіледі және құтының (2) жарықтандыруы (8) қосылады. Судың қызуына қарай, дисплейде (10) құтыдағы (2) су температурасының цифрлік белгілері бейнеленеді, қосу/сөндіру батырмасының жарықтандыруы (12) « Φ » жыпылықтайды, су қайнағаннан кейін, дыбыс белгілері естіледі, шайнек автоматты түрде сөнеді, құтының жарықтандыруы (8) сөнеді.
- Шайнекті сөндіру қажет болса, қосу/сөндіру батырмасын (12) « Φ » басыңыз.
- Суды ұзақ қайнату (дехлорлау) режимі
- Сумен толтырылған шайнек түпқоймаға (1) орнатыңыз.
- Қосу/сөндіру батырмасын басыңыз (12) « Φ », шайнек қосылады, содан кейін суды ұзақ қайнату батырмасын басыңыз (14) « \odot », бұл ретте батырманың (14) жарығы жанады, суды қайнату 3 минут бойы болады, содан кейін дыбыс белгілері естіледі және шайнек автоматты түрде сөндіріледі.
- Шайнекті сөндіру қажет болса, қосу/сөндіру батырмасын (12) « Φ » басыңыз.

БЕРІЛГЕН ТЕМПЕРАТУРАҒА ДЕЙІН СУДЫ ҚЫЗДЫРУ

- Сіз суды қажетті температураға дейін қыздыра аласыз. Шайдың түрлі сұрыптарын қайнату үшін судың белгілі бір температурасы қажет.
- Балалар тағамы үшін — 40-60 °C, ақ шай үшін — 70 °C, жасыл шай үшін — 80 °C, қара шай үшін — 90-100 °C су температурасын пайдалану ұсынылады.
- Ескерту: — берілген температураға дейін суды қыздыру функциясы сумен толтырылған шайнек түпқоймаға (1) орнатылған жағдайда ғана белсенді, егер сіз шайнекті түпқоймадан (1) шешіп алсаңыз, белгіленген суды қыздыру параметрлері жойылады, шайнекті түпқоймаға (1) орнатыңыз суды қыздыру температурасын қайта орнатыңыз және шайнекті қосыңыз.
- Қосу/сөндіру батырмасын басыңыз (11) «-/» бұл ретте дыбыс белгісі естіледі, құтының жарығы (2) қосылады, дисплейде (10) құтыдағы (2) су температурасы көрсетіледі, батырма жарығы (12) «☺» жыпылықтайды.
- 40-50-60-70-80-90 °C берілген су қыздыру температурасын орнату үшін (11) «-/» батырмаларының бірін басыңыз, дисплейде (10) белгіленген температураның жыпылықтайтын цифрлік белгілері бейнеленеді, үш секундтан кейін дисплейде (10) құтыдағы (2) су температурасы бейнеленеді.
- Дисплейде (10) құтыдағы (2) су температурасы

бейнеленеді, берілген температураға дейін суды қыздыру кезінде шайнек сөндіріледі, құтының (2) жарығы сөнеді, ал қосу/сөндіру батырмасының жарығы (12) «☺» үнемі жанып тұрады.

- Суды қыздыру қызметін сөндіру қажет болса, қосу/сөндіру батырмасын (12) «☺» басыңыз.

БЕРІЛГЕН ТЕМПЕРАТУРАНЫ ҚОЛДАУ ҚЫЗМЕТІ

Ескертпе:

- қызмет берілген су температурасын 2 сағат бойы қайта қайнатпай қолдап тұруға мүмкіндік береді. Осы уақыт өткеннен кейін температура ны қолдау режимі автоматты түрде өшіріледі.
- судың берілген температурасын қолдау функциясы сумен толтырылған шайнек түпқоймаға (1) орнатылған жағдайда ғана белсенді, егер сіз шайнекті түпқоймадан (1) шешіп алсаңыз, белгіленген су температурасын қолдау параметрлері жойылады, шайнекті түпқоймаға (1) орнатыңыз суды қыздыру температурасын қайта орнатыңыз және шайнекті қосыңыз.
- Қосу/сөндіру батырмасын басыңыз (11) «-/», бұл ретте дыбыс белгісі естіледі, құтының жарығы (2) қосылады, дисплейде (10) құтыдағы (2) су температурасы көрсетіледі, батырма жарығы (12) «☺» жыпылықтайды.
- 40-50-60-70-80-90 °C берілген су температурасын қолдау температурасын орнату үшін (11) «-/»

батырмаларының бірін басыңыз, дисплейде (10) белгіленген температураның жыпылықтайтын цифрлік белгілері бейнеленеді, үш секундтан кейін дисплейде (10) құтыдағы (2) су температурасы бейнеленеді.

- Температураны қолдау режимін қосу батырмасын (13) «☺» басыңыз, осы кезде батырма (13) «☺» жарығы жанады, дыбыс белгісі естіледі, берілген температураға жеткенде, қосу/сөндіру (12) «☺» батырмасының жарығы жыпылықтайды.
- Су температурасын қолдау қызметін сөндіру қажет болса, қосу/сөндіру батырмасын (12) «☺» басыңыз.

ШӘЙНЕКТІ АВТОМАТТЫ СӨНДІРУ ФУНКЦИЯСЫ

- Егер сіз шайнекті кездейсоқ қосып қойсаңыз, ал су деңгейі «MIN» минималды белгіден төмен болса, автоматты түрде термосақтағыш іске қосылады және шайнек өшіріледі. Бұл жағдайда шайнекті түпқоймадан (1) шешіп алыңыз және 10-15 минут бойы суытыңыз, содан кейін шайнекті сумен толтырыңыз және қосыңыз, электр шайнек қалыпты режимде жұмыс істейтін болады.

ТАЗАРТУ ЖӘНЕ КҮТІМІ

- Тазалау алдында шайнекті электр желісінен ажыратып, суын төгіңіз және шайнекті суытыңыз.

- Түпқойманы (1) және құтының (2) сыртқы бетін сәл дымқыл матамен сүртіңіз, содан кейін түпқойманы (1) және құтыны (2) құрғатып сүртіңіз. Ластануды жою үшін жұмсақ тазалағыш құралдарды пайдаланыңыз, металл губкаларды және абразивті жуғыш заттарды және еріткіштерді пайдаланбаңыз.
- Торлы сүзгіні (3) мезгіл сайын жұмсақ қылшақпен қақтан тазартыңыз.
- Электр шайнекті суға немесе басқа да сұйықтықтарға батырмаңыз, оны ыдыс жуғыш машинада жууға тыйым салынады.

ҚАҚТЫ КЕТІРУ

- Құтының (1) ішінде түзілетін қақ судың дәмдік сапасына әсер етеді, су мен жылыту элементі арасындағы жылу алмасуын бұзады.
- Қақты жою үшін арнайы қақты жою құралдарын, сондай-ақ тұрмыстық мысалы, сірке су немесе лимон қышқылын қолдануға болады.
- Қақты жою үшін, құтыны (1) 1/3 сумен толтырыңыз және оны қайнатыңыз. Қақпақты ашыңыз және ас сірке суын (6-9%) «MAX» белгісіне дейін құйыңыз, шайнектегі сұйықтықты бірнеше сағатқа қалдырыңыз. Қақ ерігеннен кейін, сұйықтықты төгіңіз және құтыны (1) бірнеше рет шайыңыз. Сірке суының иісін жою үшін бірнеше рет су қайнатыңыз.
- 500 мл ыстық суға 25 г лимон қышқылын ерітіңіз.
- Алынған ерітіндіні шайнекке құйыңыз және 15 минутқа қалдырыңыз.

- Сұйықтықты төгіңіз және құтыны (1) бірнеше рет шайыңыз, суды бірнеше рет қайнатыңыз.
- Қақты жою үшін электр шайнектерге немесе кофе машиналарына арналған арнайы құралдарды пайдалануға болады, оларды қолдану жөніндегі нұсқаулықты қатаң ұстаңыз, ол құралдың қаптамасында немесе сатушы ұсынатын қосымша материалдарда орналастырылуы тиіс.
- Шәйнекті қақтан мезгілімен тазалаңыз.

САҚТАУ

- Құрылғыны ұзақ уақыт бойы сақтауға алып қоймас бұрын, оны электр желіден ажыратыңыз, суын төгіңіз және құрылғыны суытып қойыңыз.
- Түпқойманы (1) және құтыны (2) тазалаңыз.
- Шайнекті құрғақ салқын жерде балалар мен мүмкіндігі шектеулі адамдардың
- мүмкіндіктері шектеулі адамдардың қолы жетпейтін жерде сақтаңыз.

ЖЕТКІЗІЛІМ ЖИНАҒЫ

1. Электр шайнек — 1 дн.
2. Түпқойма — 1 дн.
3. Нұсқаулық — 1 дана.

ТЕХНИКАЛЫҚ СИПАТТАМАЛАРЫ

- Қуаттандыру кернеуі: 220-240 В, ~ 50/60 Гц
- Номиналдық тұтыну қуаттылығы: 1850-2200 Вт
- Судың максималдық көлемі: 1,7 л

ПАЙДАҒА АСЫРУ



Қоршаған ортаны қорғау мақсатында, аспаптың қызмет ету мерзімі аяқталғаннан кейін оны одан әрі кәдеге жарату үшін арнайы пункттерге жіберіңіз.

Бұйымдарды пайдағы асыру кезінде пайда болатын қалдықтар белгіленген тәртіп бойынша келесі пайдаға асыру үшін міндетті түрде жинауға жатады.

Осы өнімді пайдаға асыру туралы қосымша ақпаратты алу үшін жергілікті муниципалитетке, тұрмыстық қалдықтарды пайдаға асыру қызметіне немесе осы өнімді Сіз сатып алған дүкенге хабарласыңыз.

Өндіруші құрылғының жалпы жұмыс ұстанымдарына әсер етпейтін дизайнды, құрастырылымын және техникалық сипаттамаларды өзгерту құқығын өзінде сақтайды.

Құрылғының қызмет ету мерзімі — 3 жыл

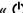


ЧАЙНІК ЭЛЕКТРЫЧНЫ ВR1003

Электрапрылада для награвання вадкасці (вады) прызначана толькі для награвання і кіпячэння пітнай вады.

АПІСАННЕ

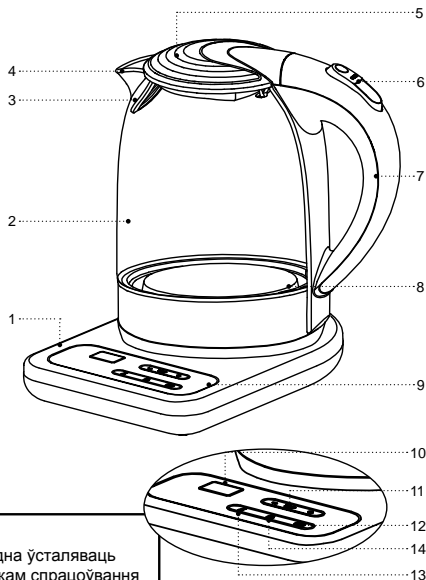
1. Падстаўка
2. Колба
3. Сеткавы фільтр
4. Носік
5. Вечка
6. Кнопка адчынення вечкі
7. Ручка
8. Падсветка колбы
9. Панэль кіравання

Панэль кіравання

10. Дысплей
11. Кнопкі налады тэмпературы «-/+»
12. Кнопка ўключэння/выключэння «»
13. Кнопка ўключэння рэжыму падтрымання тэмпературы «»
14. Кнопка ўключэння рэжыму працяглага кіпячэння (дэкларавання) вады «»

УВАГА!

Для дадатковай абароны ў ланцугу сілкавання мэтазгодна ўсталяваць прыладу ахоўнага адключэння (ПАА) з намінальным токам спрацоўвання не больш за 30 мА, каб усталяваць ПАА звярніцеся да спецыяліста.



МЕРЫ БЯСПЕКИ І РЭКАМЕНДАЦЫІ ПА ЭКСПЛУАТАЦЫІ

Перад выкарыстаннем прылады ўважліва азнаёмцеся з кіраўніцтвам па эксплуатацыі, пасля чытання, захавайце яго для выкарыстання ў будучыні.

- Выкарыстоўвайце электрычны чайнік толькі па яго прамым прызначэнні, як вызначана ў дадзенай інструкцыі.
- Няправільнае выкарыстанне чайніка можа прывесці да яго паломкі, прычынення шкоды карыстальніку ці яго маёмасці і не з'яўляецца гарантыйным выпадкам.
- Чайнік прызначаны толькі для падагрэву і кіпячэння пітнай вады, забаронена падаграваць ці кіпяціць любыя іншыя вадкасці.
- Пераканайцеся, што працоўная напруга электрычнага чайніка, якая паказана на этыкетцы, адпавядае напруге электрасеткі.
- Чайнік абавязкова павінен быць заземлены. У выпадку ўзнікнення кароткага замыкання, заземленне зніжае рызыку паразы электрычным токам.
- Шнур сілкавання забяспечаны «еўравілкай», устаўляйце яе толькі ў электрычную разетку, якая мае надзейны кантакт заземлення.
- Звярніцеся да спецыяліста-электрыка, калі вы не ўпэўнены ў тым, што вашы разеткі правільна ўсталяваны ці заземлены.
- Каб пазбегнуць узнікнення пажару, забараняецца выкарыстоўваць «перахаднікі», прызначаныя для падлучэння сеткавай вілкі да электрычнай разеткі, якая не мае кантакта заземлення.
- Пры іскрэнні і наяўнасці паху гару, выміце вілку сеткавага шнура з разеткі і звярніцеся ў арганізацыю, якая абслугоўвае вашу хатнюю электрычную сетку.
- Пры з'яўленні дыму з колбы ці корпуса чайніка, выміце вілку сеткавага шнура з разеткі, не адчыняйце вэчка, прыміце меры да нераспаўсюджання агню.
- Забараняецца выкарыстоўваць электрычны чайнік па-за памяшканнямі.
- Не рэкамендуецца выкарыстоўваць прыладу падчас навальніцы.
- Не стаўце на чайнік староннія прадметы.
- Абергайце прыладу ад удараў, падзенняў, вібрацый і іншых механічных уздзеянняў.
- Не астаўляйце электрычны чайнік, які ўключаны ў сетку, без нагляду.
- Не выкарыстоўвайце электрычны чайнік зблізка ад кухоннай ракавіны, ў ваннах памяшканнях, каля басейнаў ці іншых ёмістасцяў, якія напоўнены вадой.
- Не выкарыстоўвайце электрычны чайнік у непасрэднай блізкасці ад награвальных прылад, крыніц цяпла ці адкрытага полымя.
- Забараняецца выкарыстоўваць электрычны чайнік ў месцах, дзе выкарыстоўваюцца ці распыля-

юцца аэразолі, а таксама зблізка ад лёгкаўзгаральных вадкасцяў.

- Усталёўвайце электрычны чайнік на роўную і ўстойлівую паверхню, не стаўце яго на край стала. Не дапушчайце, каб сеткавы шнур звешваўся са стала, а таксама сачыце, каб ён не дакранаўся да гарачых паверхняў і вострых кромак мэблі.
- Не накіроўвайце носік чайніка на драўляную мэблю, кнігі, на рэчы, якія могуць папсавацца ад вільгаці ці гарачай пары.
- Забараняецца дакранацца да шнура сілкавання і вілкі мокрымі рукамі.
- Не ўключайце чайнік без вады, пасля напаўнення чайніка шчыльна зачыняйце вэчка.
- Сачыце, каб узровень вады ў чайніку быў не вышэй, чым максімальная адмеціна «MAX», якая нанесена ўнутры колбы чайніка. Калі ўзровень вады будзе вышэй, чым максімальная адмеціна, кіпячая вада можа выплюхнуцца з чайніка падчас кіпячэння.
- Каб пазбегнуць атрымання апёка гарачай парай, не нахінайцеся над носікам чайніка.
- Забараняецца адкрываць вэчку чайніка падчас кіпячэння вады.
- Паверхня чайніка можа мець дастаткова высокую тэмпературу. Будзьце асцярожнымі і акуратнымі пры кантакце з нагрэтымі паверхнямі чайніка. Бярыце чайнік за ручку.
- Будзьце асцярожнымі падчас пераносу чайніка, які напоўнены кіпенем. Асцярожна выліваючы ваду з чайніка, не нахіляйце чайнік рэзка, пры неакуратным выкарыстанні чайніка вы можаце атрымаць апёк гарачай вадой.
- Адключайце чайнік ад электрычнай сеткі перад чысткай ці ў тым выпадку, калі вы ім не карыстаецеся. Падчас адключэння прылады ад сеткі трымайцеся толькі за вілку і акуратна вымайце яе з электрычнай разеткі, не цягніце за провад — гэта можа прывесці да пашкоджання провада ці разеткі і вызваць кароткае замыканне.
- Каб пазбегнуць удара электрычным токам не апускайце электрычны чайнік у ваду ці любыя іншыя вадкасці.
- Забараняецца памяшчаць электрычны чайнік ў пасудамыйную машыну.
- З меркаванняў бяспекі дзяцей не пакідайце поліэтыленавыя пакеты, якія выкарыстоўваюцца ў якасці пакавання, без нагляду.

УВАГА!

Не дазваляйце дзецям гуляць з поліэтыленавымі пакаваннямі ці пакавальнай плёнкай. **Небяспека дудушша!**

- Электрычны чайнік не прызначаны для выкарыстання дзецьмі.

- Здзяйсняйце нагляд за дзецьмі каб не дапусціць выкарыстання прылады ў якасці цацкі.
- Не дазваляйце дзецям дакранацца да прылады і да шнура падчас працы электрычнага чайніка.
- Падчас працы і астывання размяшчайце прыладу ў месцах, недаступных для дзяцей.
- Дадзеная прылада не прызначана для выкарыстання асобамі (уключаючы дзяцей) з паніжанымі фізічнымі, псіхічнымі або разумовымі здольнасцямі або пры адсутнасці ў іх досведу і ведаў, калі яны не знаходзяцца пад кантролем або не праінструктаваны аб выкарыстанні прылады асобай, якая адказвае за іх бяспеку.
- Перад выкарыстаннем правярайце стан шнура сілкавання, сеткавай вілкі і корпусу чайніка.
- Пры пашкоджанні шнура сілкавання яго замену, у пазбяганне небяспекі, павінны праводзіць вытворца, сервісная служба ці падобны кваліфікаваны персанал.
- Забараняецца самастойна рамантаваць прыладу. Не разбірайце прыладу самастойна, пры ўзнікненні любых няспраўнасцяў, а таксама пасля падзення прылады выключыце яе з электрычнай разетки і звярніцеся ў сервісны цэнтр.
- Пераважыце чайнік у заводскім пакаванні.
- Храніце прыладу ў месцах, недаступных для дзяцей і людзей з абмежаванымі
- мажлівасцямі.

ЭЛЕКТРЫЧНЫ ЧАЙНІК ПРЫЗНАЧАНЫ ТОЛЬКІ

ДЛЯ ПАБЫТАВАГА ВЫКАРЫСТАННЯ, ЗАБАРАНЯЕЦЦА ВЫКАРЫСТОЎВАЦЬ ЧАЙНІК ДЛЯ АТАПЛЕННЯ ПАМЯШКАННЯЎ, ВЫКАРЫСТАННЕ Ў ПРАМЫСЛОВЫХ ЦІ ЛАБАРАТОРНЫХ МЭТАХ

ПАДРыхтоўка чайніка да працы

Пасля транспартыроўкі ці захоўвання прылады пры паніжанай тэмпературы неабходна вытрымаць яго пры пакаёвай тэмпературы не меней, чым тры гадзіны.

- Распакуйце чайнік і выдаліце ўсе пакавальныя матэрыялы.
- Зберажыце заводскае пакаванне.
- Праверце камплектацыю.
- Азнаёмцеся з мерамі бяспекі і рэкамендацыямі па эксплуатацыі.
- Аглядыце чайнік на наяўнасць пашкоджанняў, пры наяўнасці пашкоджанняў не ўключайце яго ў сетку.
- Пераканайцеся, што параметры напругі, пазначаныя на ніжняй панэлі вырабу або падстаўцы, адпавядаюць параметрам электрычнай сеткі. Пры выкарыстанні чайніка ў электрычнай сетцы чашчынёй 60 Гц. Ніякая дадатковая налада не патрабуецца.
- Пратрыце падстаўку (1), знешнюю і ўнутраную паверхні колбы (2) чыстай, злёгка вільготнай тканінай для выдалення пылу.

УВАГА!

Пры выкарыстанні чайніка будзьце асцярожныя, шкляная колба (2) можа разбіцца пры падзенні чайніка або пры ўдары аб цвёрды прадмет.

Нататкі:

- кнопкі рэжымаў працы на панэлі кіравання (9) сэнсарныя, для ўключэння неабходнага рэжыму працы дастаткова дакрануцца да кнопкі.
- кожнае дакрананне да кнопак суправаджаецца гукавым сігналам.
- Усталойце падстаўку (1) на цвёрдую, устойлівую, роўную, ня склізкую, неметалічную паверхню ўдалечыні ад крыніц цяпла на максімальна далёкай адлегласці ад краю паверхні.
- Не ўсталёўвайце і не выкарыстоўвайце чайнік у замкнёнай прасторы, напрыклад, у шафе ці ў замкнёных канструкцыях — гэта можа прывесці да яго паломкі, прычынення шкоды карыстальніку ці яго маёмасці.
- Вымыйце колбу (2) з выкарыстаннем нейтральных моючых сродкаў, апаласніце і прасушыце. Знешнюю паверхню колбы (2) пратрыце злёгка вільготнай тканінай, потым вытрыце насуха. Не выкарыстоўвайце для гэтых мэт абразіўныя чысцячыя сродкі і цвёрдыя вяхоткі.
- Перад падключэннем чайніка праверце, каб на падстаўцы (1), колбе (2), шнуры сілкавання, вілцы шнура сілкавання не было кропель вільгаці.

- Зніміце чайнік з падстаўкі (1).
- Каб напоўніць чайнік вадой націсніце кнопку (6) адчынення вёчка і адчыніце вёчка (5).
- Напоўніце чайнік вадой да адмеціны «MAX», па шкале, якая размешчана на знешняй паверхні колбы (2).
- Зачыніце вёчку, перакайцеся, што вёчка чайніка шчыльна зачынена.
- Пастаўце чайнік на падстаўку (1).
- Устаўце вілку шнура сілкавання ў электрычную разетку, пры гэтым прагучыць гукавы сігнал і на дысплеі (10) адлюструецца тэмпература вады ў колбе (2) чайніка.
- Націсніце кнопку ўключэння/выключэння (12) « \odot ». Чайнік выключыцца, прагучыць гукавы сігнал і ўключыцца падсветка (8) колбы (2). Па меры нагрывання вады на дысплеі (10) будучь адлюстроўвацца лічбавыя сімвалы тэмпературы вады ў колбе (2), падсветка кнопкі ўключэння/выключэння (12) « \odot » будзе мігаць, пасля закіпання вады прагучаць гукавыя сігналы, чайнік аўтаматычна адключыцца, падсветка колбы (8) пагасне, пагасне падсветка кнопкі ўключэння/выключэння (12) « \odot ».
- Зніміце чайнік з падстаўкі і акуратна вылейце кіпячую вадку ў адпаведную ёмістасць.
- Памятайце, што ўнутры колбы (2) чайніка знаходзіцца кіпень, заўсёды трымайце чайнік за ручку (7), не нахіляйце чайнік рэзка, пры неакуратным

выкарыстоўванні чайніка вы можаце атрымаць апёк гарачай вадой.

- Паўтарыце працэдуру кіпячэння вады некалькі разоў.

УВАГА!

Каб не атрымаць апёк гарачым парам, не нахіляйцеся над носікам (4).






- Гарачую ваду, якую атрымаеце падчас першых кіпячэнняў, не рэкамендуецца ўжываць у ежу, вы можаце выкарыстоўваць яе для пабытавых патрэб.

ВЫКАРЫСТОЎВАННЕ ЭЛЕКТРЫЧНАГА ЧАЙНІКА

- Усталойце падстаўку (1) на цвёрдую, устойлівую, роўную, ня склізкую, неметалічную паверхню ўдалечыні ад крыніц цяпла на максімальна далёкай адлегласці ад краю паверхні.


КІПЯЧЭННЕ ВАДЫ



- Зніміце чайнік з падстаўкі (1).
- Каб напоўніць чайнік вадой націсніце кнопку (6) адчынення вёчка і адчыніце вёчка (5).
- Напоўніце чайнік вадой да адмеціны «MAX», па шкале, якая размешчана на знешняй паверхні колбы (2).

- Зачыніце вёчку, перакайцеся, што вёчка чайніка шчыльна зачынена.
- Пастаўце чайнік на падстаўку (1).
- Устаўце вілку шнура сілкавання ў электрычную разетку, пры гэтым прагучыць гукавы сігнал, на дысплеі (10) адлюструецца тэмпература вады ў колбе (2) чайніка.
- Націсніце кнопку ўключэння/выключэння (12) «». Чайнік выключыцца, прагучыць гукавы сігнал і ўключыцца падсветка (8) колбы (2). Па меры награвання вады на дысплеі (10) будуча адлюстроўвацца лічбавыя сімвалы тэмпературы вады ў колбе (2), падсветка кнопкі ўключэння/выключэння (12) «» будзе мігаць, пасля закіпання вады прагучаць гукавыя сігналы, чайнік аўтаматычна адключыцца, падсветка колбы (8) пагасне.
- Пры неабходнасці выключэння чайніка націсніце кнопку ўключэння/выключэння (12) «».
- Рэжым працяглага кіпячэння (дэкларавання) вады
- Напоўнены вадой чайнік усталойце на падстаўку (1).
- Націсніце кнопку ўключэння/выключэння (12) «», чайнік уключыцца, затым націсніце кнопку працяглага кіпячэння вады (14) «», пры гэтым загарыцца падсветка кнопкі (14) «», кіпячэнне вады будзе адбывацца на працягу 3 хвілін, пасля чаго прагучаць гукавыя сігналы і чайнік аўтаматычна выключыцца.
- Пры неабходнасці выключэння чайніка націсніце

кнопку ўключэння/выключэння (12) «».

НАГРЭЎ ВАДЫ ДА ЗАДАДЗЕНАЙ ТЭМПЕРАТУРЫ

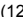
- Вы можаце падагрэць ваду да неабходнай тэмпературы. Для заварвання розных гатункаў чаю неабходна дакладная тэмпература вады.
- Рэкамендуецца выкарыстоўваць тэмпературу вады: 40-60 °C — для дзіцячай ежы, 70 °C — для белага чаю, 80 °C — для зялёнага, 90-100 °C — чорнага чаю.
- Нататка: — функцыя нагрэву вады да зададзенай тэмпературы актыўна толькі пры ўмове, што напоўнены вадой чайнік ўсталяваны на падстаўку (1), калі вы знялі чайнік з падстаўкі (1), усталяваныя параметры нагрэву вады скінуцца, усталойце чайнік на падстаўку (1), ізноў ўсталойце тэмпературу нагрэву вады і ўключыце чайнік.
- Націсніце кнопку ўключэння/выключэння (11) «-/+», пры гэтым прагучыць гукавы сігнал, ўключыцца падсветка колбы (2), на дысплеі (10) адлюструецца тэмпература вады ў колбе (2), падсветка кнопкі (12) «» будзе мігаць.
- Націсніце адну з кнопаў (11) «-/+» для налады зададзенай тэмпературы нагрэву вады 40-50-60-70-80-90 °C, на дысплеі (10) адлюструецца мігаючыя лічбавыя сімвалы ўсталяванай тэмпературы, праз тры секунды на дысплеі (10) адлюструецца тэмпература вады ў колбе (2).




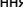
- На дысплеі (10) будзе адлюстроўвацца тэмпература вады ў колбе (2), пры нагрэве вады да зададзенай тэмпературы чайнік выключыцца, падсветка колбы (2) пагасне, а падсветка кнопкі ўключэння/выключэння (12) «» будзе свяціцца ўвесь час.
- Пры неабходнасці выключэння функцыі нагрэву вады, націсніце кнопку ўключэння/выключэння (12) «».

ФУНКЦЫЯ ПАДТРЫМАННЯ ЗАДАДЗЕНАЙ ТЭМПЕРАТУРЫ

Нататкі:

- функцыя падтрымлівае зададзеную тэмпературу вады на працягу 2 гадзін без паўторнага кіпячэння. Па заканчэнні гэтага часу рэжым падтрымання тэмпературы аўтаматычна адключыцца.
- функцыя падтрымання зададзенай тэмпературы вады актыўна толькі пры ўмове, што напоўнены вадой чайнік усталяваны на падстаўку (1), калі вы знялі чайнік з падстаўкі (1), усталяваныя параметры падтрымання тэмпературы вады скінуцца, усталойце чайнік на падстаўку (1), ізноў ўсталойце тэмпературу нагрэву вады і ўключыце чайнік.
- Націсніце кнопку ўключэння/выключэння (11) «-/+», пры гэтым прагучыць гукавы сігнал, ўключыцца падсветка колбы (2), на дысплеі (10) адлю-

струеца тэмпература вады ў колбе (2), падсветка кнопкі (12) «» будзе мігаць.

- Націсніце адну з кнопак (11) «-/+» для налады зададзенай тэмпературы падтрымання тэмпературы вады 40-50-60-70-80-90 °С, на дысплеі (10) адлюструюцца мігаючыя лічбавыя сімвалы ўсталяванай тэмпературы, праз тры секунды на дысплеі (10) адлюструецца тэмпература вады ў колбе (2).
- Націсніце кнопку ўключэння рэжыму падтрымання тэмпературы (13) «», пры гэтым загарыцца падсветка кнпкі (13) «», прагучыць гукавы сігнал, па дасягненні зададзенай тэмпературы падсветка кнопкі ўключэння/выключэння (12) «» будзе мігаць.
- Пры неабходнасці выключэння функцыі падтрымання тэмпературы вады, націсніце кнопку ўключэння/выключэння (12) «».

ФУНКЦЫЯ АўТАМАТЫЧНАГА ВЫКЛЮЧЭННЯ ЧАЙНІКА

- Калі вы выпадкова ўключылі чайнік, а ўзровень вады аказаўся ніжэй, чым мінімальная адмеціна «MIN», спрацуе аўтаматычны тэрмазасцерагальнік і чайнік выключыцца. У такім выпадку зніміце чайнік з падстаўкі (1) і дайце яму астыць на працягу 10-15 хвілін, затым напоўніце чайнік вадой і ўключыце, электрычны чайнік будзе працаваць ў нармальным рэжыме.

ЧЫСТКА І ўХОД

- Перад чысткай адключыце чайнік ад электрасеткі, злейце ваду і дайце чайніку астыць.
- Пратрыце падстаўку (1) і знешнюю паверхню колбы (2) злёгка вільготнай тканінай, пасля чаго вытрыце падстаўку (1) і колбу (2) насуха. Каб выдаліць забруджванні, выкарыстоўвайце мяккія чысцячыя сродкі, не выкарыстоўвайце металічныя губкі і абразіўныя моючыя сродкі і растваральнікі.
- Перыядычна чысціце сеткавы фільтр (3) ад шумавіння, выкарыстоўваючы мяккую шчотку.
- Не апускайце электрычны чайнік у ваду ці любыя іншыя вадкасці, забараняецца прамываць яго ў пасудамыйнай машыне.

ВЫДАЛЕННЕ ШУМАВІННЯ

- Шумавінне, якое ствараецца ўнутры колбы (1), уплывае на смакавыя якасці вады. парушае цеплаабмен паміж вадой і награвальным элементам.
- Каб выдаліць шумавінне, можна выкарыстоўваць як спецыяльныя сродкі для выдалення шумавіння, так і пабытавыя, напрыклад, воцат ці цытраваную кіслату.
- Каб выдаліць шумавінне, напоўніце колбу (1) на 1/3 вадой і ўскіпяціце яе. Адчыніце вечка і далейце сталовы воцат (6-9%) да адмеціны «MAX», астаўце вадкасць у чайніку на некалькі гадзін.

Пасля растварэння шумавіння злейце вадкасць і некалькі разоў апаласніце колбу (1). Каб выдаліць пах воцату, некалькі разоў пракіпяціце ваду.

- Растварыце 25 г цытраванай кіслаты ў 500 мл гарачай вады.
- Залейце атрыманы раствор у чайнік і астаўце на 15 хвілін.
- Злейце вадкасць і некалькі разоў апаласніце колбу (1), некалькі разоў пракіпяціце ваду.
- Каб выдаліць шумавінне, можна выкарыстоўваць спецыяльныя сродкі, прызначаныя для электрычных чайнікаў ці кава-машын, строга прытрымлівайцеся інструкцыі па іх ужыванню, якая павінна быць размешчана на пакаванні сродка ці ў дадатковых матэрыялах, якія падае прадавец.
- Рэгулярна чысціце чайнік ад шумавіння.

ЗАХОўВАННЕ

- Перад тым як убраць чайнік на працяглае захоўванне, адключыце яго ад электрасеткі, злейце ваду і дайце прыладзе астыць.
- Ачысціце падстаўку (1) і колбу (2).
- Храніце прыладу ў сухім прахалодным месцы, недаступным для дзяцей і людзей з абмежаванымі магчымасцямі.

КАМПЛЕКТ ПАСТАўКІ

1. Чайнік электрычны — 1 шт.
2. Падстаўка — 1 шт.
3. Інструкцыя — 1 шт.

Тэхнічныя характарыстыкі

- Напруга сілкавання: 220-240 В, ~ 50/60 Гц
- Намінальная спажываемая магутнасць: 1850-2200 Вт
- Максімальны аб'ём вады: 1,7 л

УТЫЛІЗАЦЫЯ



У мэтах аховы навакольнага асяроддзя, пасля заканчэння тэрміну службы прылады, перадайце яе ў спецыялізаваныя пункты для далейшай утылізацыі.

Адыходы, якія ствараюцца пры ўтылізацыі вырабаў, падлягаюць абавязковаму збору з наступнай утылізацыяй ва ўсталяваным парадку.

Каб атрымаць дадатковую інфармацыю пра ўтылізацыю дадзенага прадукта, звярніцеся ў мясцовы муніпалітэт, службу ўтылізацыі пабытавых адходаў ці ў краму, дзе Вы набылі дадзены прадукт.

Вытворца захоўвае за сабой права змяняць дызайн, канструкцыю і тэхнічныя характарыстыкі, якія не ўплываюць на агульныя прынцыпы працы прылады.

Тэрмін службы прылады — 3 гады

Hergestellt für «Ruste GmbH»,
Berggasse 18/18, 1090 Wien,
Österreich

Produced for «Ruste GmbH»,
Berggasse 18/18, 1090 Vienna, Austria

Изготовлено по заказу Русте Гмбх,
Бергассе 18/18, 1090 Вена, Австрия

Уполномоченное изготовителем

лицо: ООО «Грантэл»
143912, МО, г. Балашиха,
ш. Энтузиастов, вл. 1А
т.: +7 (495) 297-50-20,
e-mail: info@brayer.su

Made in China/Произведено в Китае

brayer.su

 **BRAYER**

TM.by
ONLINE STORE

<https://tm.by>
Интернет-магазин