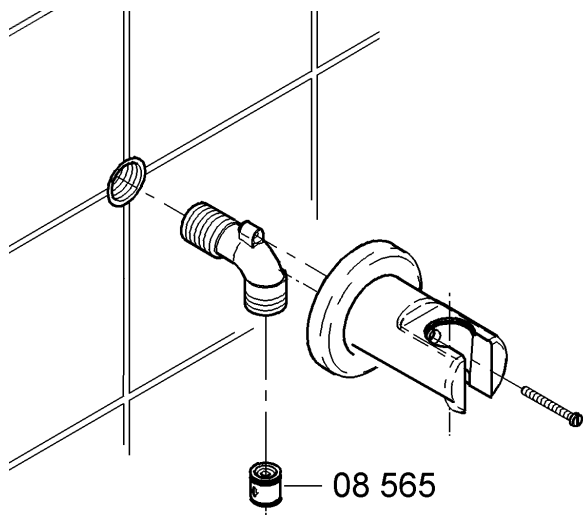


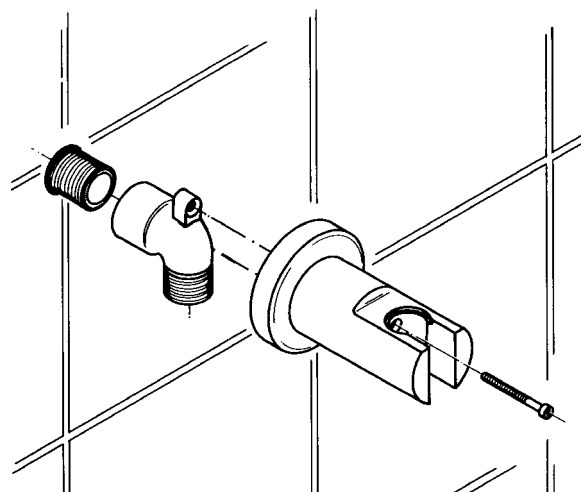
# GROHE

ENJOY WATER®

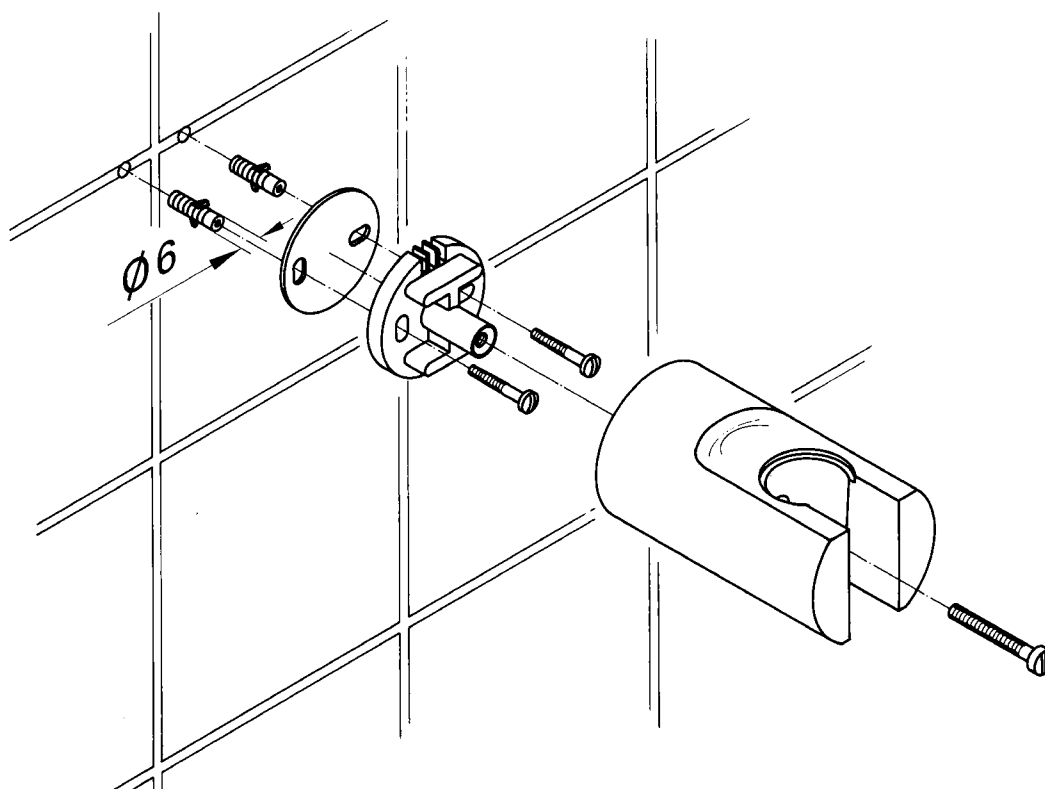
**28 628**  
**28 679**



**28 629**



**28 622**



97.157.331/ÄM 203216/07.10

Design & Quality Engineering GROHE Germany